

**DEWALT**®

**XR**®

---

English (*original instructions*)

3

---

繁體中文

11

---

한국어

17

---

Fig. A  
圖 A  
그림 A

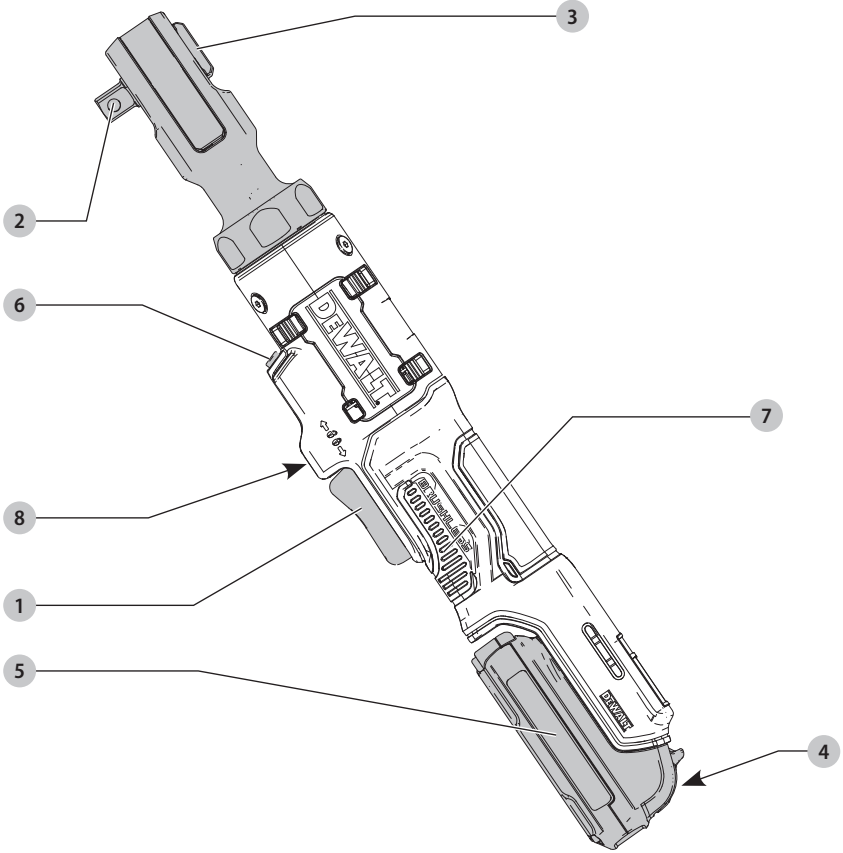


Fig. B  
圖 B  
그림 B

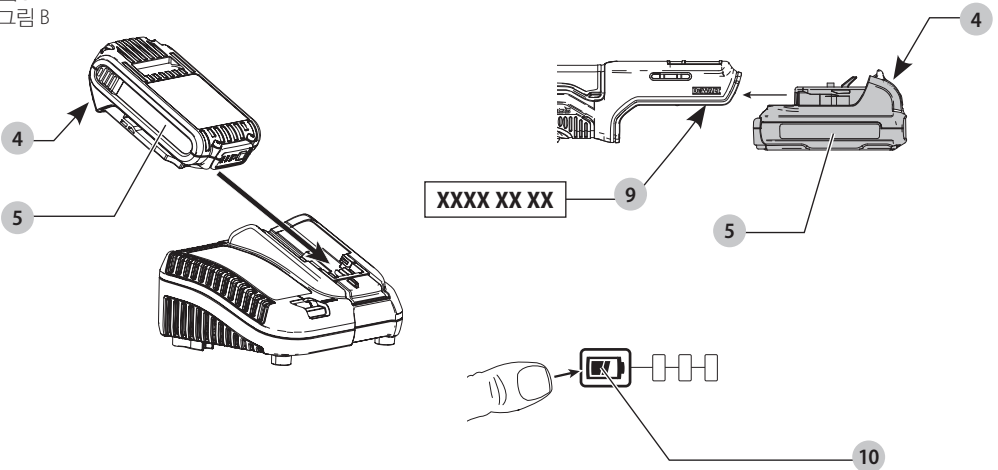


Fig. C  
圖 C  
그림 C

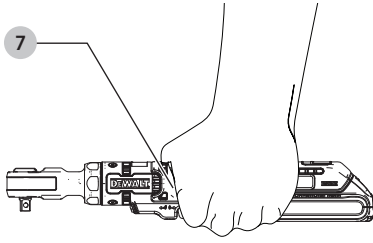


Fig. D  
圖 D  
그림 D

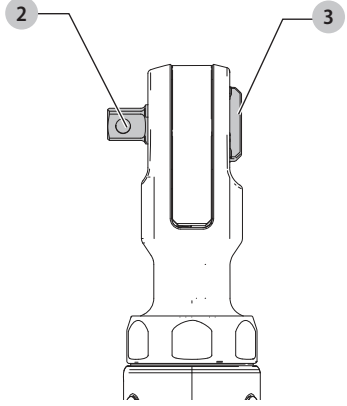
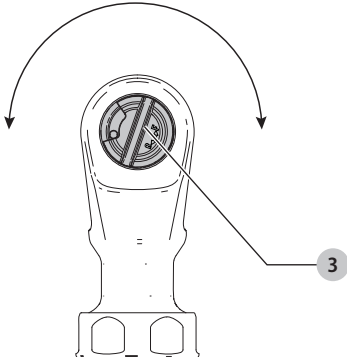


Fig. E  
圖 E  
그림 E



# 12 V MAX RATCHETS

## DCF503

### Congratulations!

You have chosen a DeWALT tool. Years of experience, thorough product development and innovation make DeWALT one of the most reliable partners for professional power tool users.

### Technical Data

		DCF503
Voltage	V <sub>DC</sub>	10.8(12 Max)
No load speed	/min	0–250
Length	mm	330
Weight (without battery pack)	kg	1.0

Batteries				Chargers / Charge Times (Minutes)					
Cat#	V <sub>DC</sub>	Ah	Weight(kg)	DCB104	DCB107	DCB110	DCB112 DCB1102	DCB115 DCB1104	DCB132
DCB122/DCB127	10.8 (12 Max)	2.0	0.22	30	90	90	60	30	30
DCB123	10.8 (12 Max)	1.5	0.20	23	68	68	45	23	23
DCB124	10.8 (12 Max)	3.0	0.25	45	140	140	90	45	45
DCB126/DCB126G	10.8 (12 Max)	5.0	0.44	75	240	240	150	75	75



**WARNING:** To reduce the risk of injury, read the instruction manual.

### Definitions: Safety Guidelines

The definitions below describe the level of severity for each signal word. Please read the manual and pay attention to these symbols.



**DANGER:** Indicates an imminently hazardous situation which, if not avoided, **will** result in **death or serious injury**.



**WARNING:** Indicates a potentially hazardous situation which, if not avoided, **could** result in **death or serious injury**.



**CAUTION:** Indicates a potentially hazardous situation which, if not avoided, **may** result in **minor or moderate injury**.

**NOTICE:** Indicates a practice **not related to personal injury** which, if not avoided, **may** result in **property damage**.



Denotes risk of electric shock.



Denotes risk of fire.

### GENERAL POWER TOOL SAFETY WARNINGS



**WARNING:** Read all safety warnings, instructions, illustrations and specifications provided with this power tool. Failure to follow all instructions listed below may result in electric shock, fire and/or serious injury.

### SAVE ALL WARNINGS AND INSTRUCTIONS FOR FUTURE REFERENCE

The term “power tool” in the warnings refers to your mains-operated (corded) power tool or battery-operated (cordless) power tool.

#### 1) Work Area Safety

- Keep work area clean and well lit.** Cluttered or dark areas invite accidents.
- Do not operate power tools in explosive atmospheres, such as in the presence of flammable liquids, gases or dust.** Power tools create sparks which may ignite the dust or fumes.
- Keep children and bystanders away while operating a power tool.** Distractions can cause you to lose control.

#### 2) Electrical Safety

- Power tool plugs must match the outlet. Never modify the plug in any way. Do not use any adapter plugs with earthed (grounded) power tools.** Unmodified plugs and matching outlets will reduce risk of electric shock.
- Avoid body contact with earthed or grounded surfaces, such as pipes, radiators, ranges and refrigerators.** There is an increased risk of electric shock if your body is earthed or grounded.
- Do not expose power tools to rain or wet conditions.** Water entering a power tool will increase the risk of electric shock.
- Do not abuse the cord. Never use the cord for carrying, pulling or unplugging the power tool. Keep cord away from heat, oil, sharp edges or moving**

**parts.** Damaged or entangled cords increase the risk of electric shock.

- e) **When operating a power tool outdoors, use an extension cord suitable for outdoor use.** Use of a cord suitable for outdoor use reduces the risk of electric shock.
- f) **If operating a power tool in a damp location is unavoidable, use a residual current device (RCD) protected supply.** Use of an RCD reduces the risk of electric shock.

### 3) Personal Safety

- a) **Stay alert, watch what you are doing and use common sense when operating a power tool. Do not use a power tool while you are tired or under the influence of drugs, alcohol or medication.** A moment of inattention while operating power tools may result in serious personal injury.
- b) **Use personal protective equipment. Always wear eye protection.** Protective equipment such as a dust mask, non-skid safety shoes, hard hat or hearing protection used for appropriate conditions will reduce personal injuries.
- c) **Prevent unintentional starting. Ensure the switch is in the off-position before connecting to power source and/or battery pack, picking up or carrying the tool.** Carrying power tools with your finger on the switch or energising power tools that have the switch on invites accidents.
- d) **Remove any adjusting key or wrench before turning the power tool on.** A wrench or a key left attached to a rotating part of the power tool may result in personal injury.
- e) **Do not overreach. Keep proper footing and balance at all times.** This enables better control of the power tool in unexpected situations.
- f) **Dress properly. Do not wear loose clothing or jewellery. Keep your hair and clothing away from moving parts.** Loose clothes, jewellery or long hair can be caught in moving parts.
- g) **If devices are provided for the connection of dust extraction and collection facilities, ensure these are connected and properly used.** Use of dust collection can reduce dust-related hazards.
- h) **Do not let familiarity gained from frequent use of tools allow you to become complacent and ignore tool safety principles.** A careless action can cause severe injury within a fraction of a second.

### 4) Power Tool Use and Care

- a) **Do not force the power tool. Use the correct power tool for your application.** The correct power tool will do the job better and safer at the rate for which it was designed.
- b) **Do not use the power tool if the switch does not turn it on and off.** Any power tool that cannot be controlled with the switch is dangerous and must be repaired.
- c) **Disconnect the plug from the power source and/or remove the battery pack, if detachable, from the power tool before making any adjustments, changing accessories, or storing power tools.** Such

preventive safety measures reduce the risk of starting the power tool accidentally.

- d) **Store idle power tools out of the reach of children and do not allow persons unfamiliar with the power tool or these instructions to operate the power tool.** Power tools are dangerous in the hands of untrained users.
- e) **Maintain power tools and accessories. Check for misalignment or binding of moving parts, breakage of parts and any other condition that may affect the power tool's operation. If damaged, have the power tool repaired before use.** Many accidents are caused by poorly maintained power tools.
- f) **Keep cutting tools sharp and clean.** Properly maintained cutting tools with sharp cutting edges are less likely to bind and are easier to control.
- g) **Use the power tool, accessories and tool bits etc. in accordance with these instructions, taking into account the working conditions and the work to be performed.** Use of the power tool for operations different from those intended could result in a hazardous situation.
- h) **Keep handles and grasping surfaces dry, clean and free from oil and grease.** Slippery handles and grasping surfaces do not allow for safe handling and control of the tool in unexpected situations.

### 5) Battery Tool Use and Care

- a) **Recharge only with the charger specified by the manufacturer.** A charger that is suitable for one type of battery pack may create a risk of fire when used with another battery pack.
- b) **Use power tools only with specifically designated battery packs.** Use of any other battery packs may create a risk of injury and fire.
- c) **When battery pack is not in use, keep it away from other metal objects, like paper clips, coins, keys, nails, screws or other small metal objects, that can make a connection from one terminal to another.** Shorting the battery terminals together may cause burns or a fire.
- d) **Under abusive conditions, liquid may be ejected from the battery; avoid contact. If contact accidentally occurs, flush with water. If liquid contacts eyes, additionally seek medical help.** Liquid ejected from the battery may cause irritation or burns.
- e) **Do not use a battery pack or tool that is damaged or modified.** Damaged or modified batteries may exhibit unpredictable behaviour resulting in fire, explosion or risk of injury.
- f) **Do not expose a battery pack or tool to fire or excessive temperature.** Exposure to fire or temperature above 130 °C may cause explosion.
- g) **Follow all charging instructions and do not charge the battery pack or tool outside the temperature range specified in the instructions.** Charging improperly or at temperatures outside the specified range may damage the battery and increase the risk of fire.

## 6) Service

- a) **Have your power tool serviced by a qualified repair person using only identical replacement parts.** This will ensure that the safety of the power tool is maintained.
- b) **Never service damaged battery packs.** Service of battery packs should only be performed by the manufacturer or authorized service providers.

## Safety Instructions for Ratchet Tools

- **Hold power tool by insulated gripping surfaces, when performing an operation where the fastener may contact hidden wiring.** Fasteners contacting a "live" wire may make exposed metal parts of the tool "live" and could give the operator an electric shock.
- **Use clamps or another practical way to secure and support the workpiece to a stable platform.** Holding the work by hand or against your body leaves it unstable and may lead to loss of control.
- **Air vents often cover moving parts and should be avoided.** Loose clothing, jewelry or long hair can be caught in moving parts.
- **Do not operate this tool for long periods of time.** **Vibration caused by tool action may be harmful to your hands and arms.** Use gloves to provide extra cushion and limit exposure by taking frequent rest periods.
- **Accessories and tools get hot during operation.** Wear gloves when touching them.

## Residual Risks

In spite of the application of the relevant safety regulations and the implementation of safety devices, certain residual risks cannot be avoided. These are:

- Impairment of hearing.
- Risk of personal injury due to flying particles.
- Risk of burns due to accessories becoming hot during operation.
- Risk of personal injury due to prolonged use.

### SAVE THESE INSTRUCTIONS

## Chargers

DEWALT chargers require no adjustment and are designed to be as easy as possible to operate.

### Electrical Safety

The electric motor has been designed for one voltage only. Always check that the battery pack voltage corresponds to the voltage on the rating plate. Also make sure that the voltage of your charger corresponds to that of your mains.



Your DEWALT charger is double insulated in accordance with IEC60335; therefore no earth wire is required.

If the supply cord is damaged, it must be replaced only by DEWALT or an authorised service organisation.

### Using an Extension Cable

An extension cord should not be used unless absolutely necessary. Use an approved extension cable suitable for

the power input of your charger (see **Technical Data**). The minimum conductor size is 1 mm<sup>2</sup>; the maximum length is 30 m.

When using a cable reel, always unwind the cable completely.

## Important Safety Instructions for All Battery Chargers

**SAVE THESE INSTRUCTIONS:** This manual contains important safety and operating instructions for compatible battery chargers (refer to **Technical Data**).

- Before using charger, read all instructions and cautionary markings on charger, battery pack, and product using battery pack.



**WARNING:** Shock hazard. Do not allow any liquid to get inside charger. Electric shock may result.



**WARNING:** We recommend the use of a residual current device with a residual current rating of 30mA or less.



**CAUTION:** Burn hazard. To reduce the risk of injury, charge only DEWALT rechargeable batteries. Other types of batteries may burst causing personal injury and damage.



**CAUTION:** Children should be supervised to ensure that they do not play with the appliance.

**NOTICE:** Under certain conditions, with the charger plugged into the power supply, the exposed charging contacts inside the charger can be shorted by foreign material. Foreign materials of a conductive nature such as, but not limited to, steel wool, aluminum foil or any buildup of metallic particles should be kept away from charger cavities. Always unplug the charger from the power supply when there is no battery pack in the cavity. Unplug charger before attempting to clean.

- **DO NOT attempt to charge the battery pack with any chargers other than the ones in this manual.** The charger and battery pack are specifically designed to work together.
- **These chargers are not intended for any uses other than charging DEWALT rechargeable batteries.** Any other uses may result in risk of fire, electric shock or electrocution.
- **Do not expose charger to rain or snow.**
- **Pull by plug rather than cord when disconnecting charger.** This will reduce risk of damage to electric plug and cord.
- **Make sure that cord is located so that it will not be stepped on, tripped over, or otherwise subjected to damage or stress.**
- **Do not use an extension cord unless it is absolutely necessary.** Use of improper extension cord could result in risk of fire, electric shock, or electrocution.
- **Do not place any object on top of charger or place the charger on a soft surface that might block the ventilation slots and result in excessive internal heat.** Place the charger in a position away from any heat source. The charger is ventilated through slots in the top and the bottom of the housing.
- **Do not operate charger with damaged cord or plug—** have them replaced immediately.

- **Do not operate charger if it has received a sharp blow, been dropped, or otherwise damaged in any way.** Take it to an authorised service centre.
- **Do not disassemble charger; take it to an authorised service centre when service or repair is required.** Incorrect reassembly may result in a risk of electric shock, electrocution or fire.
- *In case of damaged power supply cord, the supply cord must be replaced immediately by the manufacturer, its service agent or similar qualified person to prevent any hazard.*
- **Disconnect the charger from the outlet before attempting any cleaning. This will reduce the risk of electric shock.** Removing the battery pack will not reduce this risk.
- **NEVER** attempt to connect two chargers together.
- **The charger is designed to operate on standard 220-240V household electrical power. Do not attempt to use it on any other voltage.** This does not apply to the vehicular charger.




### Charging a Battery (Fig. B)

1. Plug the charger into an appropriate outlet before inserting battery pack.
2. Insert the battery pack **5** into the charger, making sure the battery pack is fully seated in the charger. The red (charging) light will blink repeatedly indicating that the charging process has started.
3. The completion of charge will be indicated by the red light remaining ON continuously. The battery pack is fully charged and may be used at this time or left in the charger. To remove the battery pack from the charger, push the battery release button **4** on the battery pack.

**NOTE:** To ensure maximum performance and life of lithium-ion battery packs, charge the battery pack fully before first use.

### Charger Operation

Refer to the indicators below for the charge status of the battery pack.

Charge Indicators	
	Charging
	Fully Charged
	Hot/Cold Pack Delay*

\*The red light will continue to blink, but a yellow indicator light will be illuminated during this operation. Once the battery pack has reached an appropriate temperature, the yellow light will turn off and the charger will resume the charging procedure.

The compatible charger(s) will not charge a faulty battery pack. The charger will indicate faulty battery by refusing to light.

**NOTE:** This could also mean a problem with a charger.

If the charger indicates a problem, take the charger and battery pack to be tested at an authorised service centre.

### Hot/Cold Pack Delay

When the charger detects a battery pack that is too hot or too cold, it automatically starts a Hot/Cold Pack Delay, suspending charging until the battery pack has reached an appropriate temperature. The charger then automatically switches to the pack charging mode. This feature ensures maximum battery pack life.

A cold battery pack will charge at a slower rate than a warm battery pack. The battery pack will charge at that slower rate throughout the entire charging cycle and will not return to maximum charge rate even if the battery pack warms.

### Electronic Protection System

XR Li-Ion tools are designed with an Electronic Protection System that will protect the battery pack against overloading, overheating or deep discharge.

The tool will automatically turn off if the Electronic Protection System engages. If this occurs, place the lithium-ion battery pack on the charger until it is fully charged.

### Wall Mounting

These chargers are designed to be wall mountable or to sit upright on a table or work surface. If wall mounting, locate the charger within reach of an electrical outlet, and away from a corner or other obstructions which may impede air flow. Use the back of the charger as a template for the location of the mounting screws on the wall. Mount the charger securely using drywall screws (purchased separately) at least 25.4 mm long with a screw head diameter of 7–9 mm, screwed into wood to an optimal depth leaving approximately 5.5 mm of the screw exposed. Align the slots on the back of the charger with the exposed screws and fully engage them in the slots.

### Charger Cleaning Instructions

**WARNING: Shock hazard. Disconnect the charger from the AC outlet before cleaning.** Dirt and grease may be removed from the exterior of the charger using a cloth or soft non-metallic brush. Do not use water or any cleaning solutions. Never let any liquid get inside the tool; never immerse any part of the tool into a liquid.

## Battery Packs

### Important Safety Instructions for All Battery Packs

When ordering replacement battery packs, be sure to include catalogue number and voltage.

The battery pack is not fully charged out of the carton. Before using the battery pack and charger, read the safety instructions below. Then follow charging procedures outlined.

### READ ALL INSTRUCTIONS

- **Do not charge or use battery in explosive atmospheres, such as in the presence of flammable liquids, gases or dust.** Inserting or removing the battery from the charger may ignite the dust or fumes.
- **Never force battery pack into charger. Do not modify battery pack in any way to fit into a non-compatible**



### **charger as battery pack may rupture causing serious personal injury.**

- Charge the battery packs only in DEWALT chargers.
- **DO NOT splash or immerse in water or other liquids.**
- **Do not store or use the tool and battery pack in locations where the temperature may fall below 4 °C (39.2 °F) (such as outside sheds or metal buildings in winter), or reach or exceed 40 °C (104 °F) (such as outside sheds or metal buildings in summer).**
- **Do not incinerate the battery pack even if it is severely damaged or is completely worn out.** The battery pack can explode in a fire. Toxic fumes and materials are created when lithium-ion battery packs are burned.
- **If battery contents come into contact with the skin, immediately wash area with mild soap and water.** If battery liquid gets into the eye, rinse water over the open eye for 15 minutes or until irritation ceases. If medical attention is needed, the battery electrolyte is composed of a mixture of liquid organic carbonates and lithium salts.
- **Contents of opened battery cells may cause respiratory irritation.** Provide fresh air. If symptoms persists, seek medical attention.



**WARNING:** Burn hazard. Battery liquid may be flammable if exposed to spark or flame.



**WARNING:** Never attempt to open the battery pack for any reason. If battery pack case is cracked or damaged, do not insert into charger. Do not crush, drop or damage battery pack. Do not use a battery pack or charger that has received a sharp blow, been dropped, run over or damaged in any way (i.e., pierced with a nail, hit with a hammer, stepped on). Electric shock or electrocution may result. Damaged battery packs should be returned to service centre for recycling.



**WARNING: Fire hazard. Do not store or carry the battery pack so that metal objects can contact exposed battery terminals.** For example, do not place the battery pack in aprons, pockets, tool boxes, product kit boxes, drawers, etc., with loose nails, screws, keys, etc.



**CAUTION: When not in use, place tool on its side on a stable surface where it will not cause a tripping or falling hazard.** Some tools with large battery packs will stand upright on the battery pack but may be easily knocked over.

## Transportation



**WARNING: Fire hazard.** Transporting batteries can possibly cause fire if the battery terminals inadvertently come in contact with conductive materials. When transporting batteries, make sure that the battery terminals are protected and well insulated from materials that could contact them and cause a short circuit. **NOTE:** Lithium-ion batteries should not be put in checked baggage.

DEWALT batteries comply with all applicable shipping regulations as prescribed by industry and legal standards which include UN Recommendations on the Transport of Dangerous

Goods; International Air Transport Association (IATA) Dangerous Goods Regulations, International Maritime Dangerous Goods (IMDG) Regulations, and the European Agreement Concerning The International Carriage of Dangerous Goods by Road (ADR). Lithium-ion cells and batteries have been tested to section 38.3 of the UN Recommendations on the Transport of Dangerous Goods Manual of Tests and Criteria.

In most instances, shipping a DEWALT battery pack will be excepted from being classified as a fully regulated Class 9 Hazardous Material. In general, only shipments containing a lithium-ion battery with an energy rating greater than 100 Watt Hours (Wh) will require being shipped as fully regulated Class 9. All lithium-ion batteries have the Watt Hour rating marked on the pack. Furthermore, due to regulation complexities, DEWALT does not recommend air shipping lithium-ion battery packs alone regardless of Watt Hour rating. Shipments of tools with batteries (combo kits) can be air shipped as excepted if the Watt Hour rating of the battery pack is no greater than 100 Wh. Regardless of whether a shipment is considered excepted or fully regulated, it is the shipper's responsibility to consult the latest regulations for packaging, labeling/marketing and documentation requirements.

The information provided in this section of the manual is provided in good faith and believed to be accurate at the time the document was created. However, no warranty, expressed or implied, is given. It is the buyer's responsibility to ensure that its activities comply with the applicable regulations.

## Storage Recommendations

1. The best storage place is one that is cool and dry away from direct sunlight and excess heat or cold. For optimum battery performance and life, store battery packs at room temperature when not in use.
2. For long storage, it is recommended to store a fully charged battery pack in a cool, dry place out of the charger for optimal results.

**NOTE:** Battery packs should not be stored completely depleted of charge. The battery pack will need to be recharged before use.

## Labels on Charger and Battery Pack

In addition to the pictographs used in this manual, the labels on the charger and the battery pack may show the following pictographs:



Read instruction manual before use.



See **Technical Data** for charging time.



Do not probe with conductive objects.



Do not charge damaged battery packs.



Do not expose to water.



Have defective cords replaced immediately



Charge only between 4 °C and 40 °C.



Only for indoor use.



Discard the battery pack with due care for the environment.



Charge DEWALT battery packs only with designated DEWALT chargers. Charging battery packs other than the designated DEWALT batteries with a DEWALT charger may make them burst or lead to other dangerous situations.



Do not incinerate the battery pack.

## Battery Type

Refer to **Technical Data** for more batteries information.

## Package Contents

The package contains:

- 1 Ratchet
- 1 Battery Charger
  - Li-Ion battery pack
- 1 Instruction manual

**NOTE:** Battery packs, chargers and storage are not included with N models. Battery packs and chargers are not included with NT models. B models include Bluetooth® battery packs.

**NOTE:** The Bluetooth® word mark and logos are registered trademarks owned by the Bluetooth®, SIG, Inc. and any use of such marks by DEWALT is under license. Other trademarks and trade names are those of their respective owners.

**NOTE:** G versions ship with glass filled nylon battery packs and foam trays for storage in roller cabinet.

- Check for damage to the tool, parts or accessories which may have occurred during transport.
- Take the time to thoroughly read and understand this manual prior to operation.

## Markings on Tool

The following pictograms are shown on the tool:



Read instruction manual before use.



Wear ear protection.



Wear eye protection



Visible radiation. Do not stare into light.

## Date Code Position (Fig. B)

The date code **9**, which also includes the year of manufacture, is printed into the housing.

Example:

2023 XX XX

Year and Week of Manufacture

## Description (Fig. A)



**WARNING:** Never modify the power tool or any part of it. Damage or personal injury could result.

- 1 Trigger switch
- 2 3/8" square anvil
- 3 Forward/reverse dial
- 4 Battery release button
- 5 Battery pack
- 6 Worklight
- 7 Main handle
- 8 Lock-off button

## Intended Use

These powered ratchets are designed for light duty fastening applications. These powered ratchets are not torque wrenches. DO NOT use this tool for tightening fasteners to specified torques. An independent calibrated torque measurement device such as a torque wrench should be used when torques are specified.

**DO NOT** use under wet conditions or in the presence of flammable liquids or gases.

These powered ratchets are professional power tools.

**DO NOT** let children come into contact with the tool.

Supervision is required when inexperienced operators use this tool.

- **Young children and the infirm.** This appliance is not intended for use by young children or infirm persons without supervision.
- This product is not intended for use by persons (including children) suffering from diminished physical, sensory or mental abilities; lack of experience, knowledge or skills unless they are supervised by a person responsible for their safety. Children should never be left alone with this product.

## ASSEMBLY AND ADJUSTMENTS



**WARNING:** To reduce the risk of serious personal injury, turn tool off and disconnect battery pack before making any adjustments or removing/installing attachments or accessories. An accidental start-up can cause injury.



**WARNING:** Use only DEWALT battery packs and chargers.

## Inserting and Removing the Battery Pack from the Tool (Fig. B)

**NOTE:** Make sure your battery pack **5** is fully charged.

### To Install the Battery Pack into the Tool Handle

1. Align the battery pack **5** with the rails inside the tool's handle (Fig. B).

- Slide it into the handle until the battery pack is firmly seated in the tool and ensure that you hear the lock snap into place.

### To Remove the Battery Pack from the Tool

- Press the battery release button 4 and firmly pull the battery pack out of the tool handle.
- Insert battery pack into the charger as described in the charger section of this manual.

### Fuel Gauge Battery Packs (Fig. B)

Some DEWALT battery packs include a fuel gauge which consists of three green LED lights that indicate the level of charge remaining in the battery pack.

To actuate the fuel gauge, press and hold the fuel gauge button 10. A combination of the three green LED lights will illuminate designating the level of charge left. When the level of charge in the battery is below the usable limit, the fuel gauge will not illuminate and the battery will need to be recharged.

**NOTE:** The fuel gauge is only an indication of the charge left on the battery pack. It does not indicate tool functionality and is subject to variation based on product components, temperature and end-user application.

### Anvil (Fig. D)



**CAUTION:** *Inspect anvil prior to use. Missing or damaged items should be replaced before use.*

To install an accessory on the anvil, align the accessory with the anvil 2. Press the accessory onto the anvil 2.

To remove an accessory, pull the accessory off the anvil 2.

## OPERATION

### Instructions for Use



**WARNING:** *Always observe the safety instructions and applicable regulations.*



**WARNING:** *To reduce the risk of serious personal injury, turn tool off and disconnect battery pack before making any adjustments or removing/installing attachments or accessories. An accidental start-up can cause injury.*

### Proper Hand Position (Fig. C)



**WARNING:** *To reduce the risk of serious personal injury, ALWAYS use proper hand position as shown.*



**WARNING:** *To reduce the risk of serious personal injury, ALWAYS hold securely in anticipation of a sudden reaction.*



**WARNING:** *Ratchet may stall (if overloaded or improperly used) causing a twist. Always expect the stall. Grip the ratchet firmly to control the twisting action and prevent loss of control which could cause personal injury.*

Proper hand position requires one hand on the main handle 7 as shown to control the twisting action of the ratchet.

### Variable Speed Trigger (Fig. A)

The tool is turned on and off by pulling and releasing the variable speed trigger 1. The farther the trigger is depressed, the higher the speed of the tool. The anvil will stop as soon as the trigger switch is fully released.

### Forward/Reverse Dial (Fig. E)

A forward/reverse control dial 3 determines the rotational direction of the tool.

- To select forward rotation (clockwise), release the trigger and rotate the forward/reverse dial 3 on the head of the tool in a counterclockwise direction.
- To select reverse rotation (counterclockwise), release the trigger and rotate the forward/reverse dial 3 on the head of the tool in a clockwise direction.

**NOTE:** The first time the tool is run after changing the direction of rotation, you may hear a click on start up. This is normal and does not indicate a problem.

### Lock-off Button (Fig. A)

To lock the tool, slide the lock-off button 8 to the locked position. When the lock-off button is in the locked position, the tool is locked and the trigger switch 1 cannot be pulled.

### Worklight (Fig. A)

There is a worklight 6 located on the underside of the tool. The worklight is activated when the trigger switch is depressed. When the trigger is released, the worklight may stay illuminated for up to 20 seconds.

**NOTE:** The worklight is for lighting the immediate work surface and is not intended to be used as a flashlight.

### Usage (Fig. A, C)



**WARNING:** *To reduce the risk of serious personal injury, turn unit off and remove the battery pack before making any adjustments or removing/installing attachments or accessories. An accidental start-up can cause injury.*



**WARNING:** *The ratchet may stall if overloaded causing a sudden twist. Always expect the tool to twist. Grip the ratchet firmly to control the twisting action and avoid possible personal injury.*



**CAUTION:** *Ensure fastener and/or system will withstand the level of torque generated by the tool. Excessive torque may cause breakage and possible personal injury.*

Cat #	RPM	Ft.-Lbs.	Nm
DCF503	0–250	0–60	0–81.35

- Install appropriate accessory onto the anvil 2.
- Place the accessory on the fastener head.
- Consider the intended operation and select either forward or reverse rotation.
- Press variable speed trigger switch 1 to start operation.
- Release variable speed trigger switch 1 to stop operation.
- If the ratchet stalls, the tool is overloaded or is being improperly used. Release the variable speed trigger switch 1 immediately. Do not press the variable speed trigger switch 1 on and off in an attempt to start a stalled ratchet. Doing so can damage the tool.
- The ratchet can also be used manually for starting stubborn fasteners or snugging by releasing the trigger and applying the torque by hand.

**NOTE:** Excessive manually applied torque may damage the tool housing or mechanism.

## MAINTENANCE

Your power tool has been designed to operate over a long period of time with a minimum of maintenance. Continuous satisfactory operation depends upon proper tool care and regular cleaning.



**WARNING:** *To reduce the risk of serious personal injury, turn tool off and disconnect battery pack before making any adjustments or removing/ installing attachments or accessories. An accidental start-up can cause injury.*

The charger and battery pack are not serviceable.

## Cleaning



**WARNING:** *Electrical shock and mechanical hazard. Disconnect the electrical appliance from the power source before cleaning.*



**WARNING:** *To ensure safe and efficient operation, always keep the electrical appliance and the ventilation slots clean.*



**WARNING:** *Never use solvents or other harsh chemicals for cleaning the non-metallic parts of the tool. These chemicals may weaken the materials used in these parts. Use a cloth dampened only with water and mild soap. Never let any liquid get inside the tool; never immerse any part of the tool into a liquid.*

Ventilation slots can be cleaned using a dry, soft non-metallic brush and/or a suitable vacuum cleaner. Do not use water or any cleaning solutions. Wear approved eye protection and an approved dust mask.

## Optional Accessories



**WARNING:** *Since accessories, other than those offered by DeWALT, have not been tested with this product, use of such accessories with this tool could be hazardous. To reduce the risk of injury, only DeWALT recommended accessories should be used with this product.*

Consult your dealer for further information on the appropriate accessories.

## Protecting the Environment



Separate collection. Products and batteries marked with this symbol must not be disposed of with normal household waste.



Products and batteries contain materials that can be recovered or recycled reducing the demand for raw materials. Please recycle electrical products and batteries according to local provisions. Further information is available at [www.2helpU.com](http://www.2helpU.com).

## Rechargeable Battery Pack

This long life battery pack must be recharged when it fails to produce sufficient power on jobs which were easily done

before. At the end of its technical life, discard it with due care for our environment:

- Run the battery pack down completely, then remove it from the tool.
- Li-Ion cells are recyclable. Take them to your dealer or a local recycling station. The collected battery packs will be recycled or disposed of properly.

## After Service and Repair

DeWALT service centers are staffed with trained personnel to provide customers with efficient and reliable product service. We do not take any responsibility when you have repaired in unauthorized service center. You can refer to the leaflet of CONTACT CENTER LOCATOR in product package and contact us through hotline, website or social media to find the nearest DeWALT service center around you.

# 12V MAX 無碳刷棘輪扳手

## DCF503

### 恭喜!

感謝您選購 DeWALT 工具。憑藉多年的產品開發和創新經驗，DeWALT 已經成為專業電動工具用戶最可靠的合作夥伴之一。台灣上市之 DeWALT 產品規格、技術資料、訊息，以繁體中文說明為主。

### 技術資料

			DCF503
電壓	$V_{DC}$		10.8(12 Max)
無負荷轉速	/min		0-250
長度	mm		330
重量(不含電池組)	kg		1.0

電池				充電器/充電時間(分鐘)		
目錄號	伏特 <small>直流</small>	安時	重量(kg)	DCB107	DCB112	DCB115 DCB1104
DCB127	10.8 (12 Max)	2.0	0.22	90	60	30
DCB124	10.8 (12 Max)	3.0	0.25	140	90	45
DCB126	10.8 (12 Max)	5.0	0.44	240	150	75

12V Max 為最大初始電池電壓(無負載測量)，標稱電壓為 10.8V。



**警告：**為了降低受傷的風險，請仔細閱讀使用手冊。

### 定義：安全指南

下列定義描述了各標誌術語的嚴重程度。請仔細閱讀本手冊，並注意這些標誌。



**危險：**表示存在緊急危險情況，如果不加以避免，將導致死亡或嚴重傷害。



**警告：**表示存在潛在的危險情況，如果不加以避免，可能導致死亡或嚴重傷害。



**小心：**表示存在潛在的危險情況，如果不加以避免，可能導致輕度或重度傷害。

**注意：**表示存在不涉及人身傷害的情況，如果不加以避免，可能導致財產損失。



表示存在觸電風險。



表示存在火災風險。

### 電動工具通用安全警告



**警告：**請閱讀本電動工具隨附的所有安全警告、指示、圖示和規格。不遵循下列的所有指示可能會導致觸電、火災及/或嚴重傷害。

**請妥善保存所有警告及指示以備將來查閱**

警告中的名詞“電動工具”是指電源驅動(插電)電動工具，或者電池驅動(充電)電動工具。

#### 1) 工作場地安全

- 請保持工作場地清潔明亮。混亂或昏暗的場地會引發事故。
- 請勿在易爆環境，如有易燃液體、氣體或粉塵的環境中操作電動工具。電動工具產生的火花會點燃粉塵或氣體。

- 請等待兒童和旁觀者離開之後才操縱電動工具。分心會讓您失去對工具的控制。

#### 2) 電氣安全

- 電動工具插頭必須與插座相符。不得以任何方式改裝插頭。需接地的電動工具不能使用任何配接器插頭。未經改裝的插頭和相符的插座可以減少觸電危險。
- 避免人體接觸接地表面，如管道、散熱片、爐灶和冰箱。若您的身體接地，會增加觸電危險。
- 請勿將電動工具暴露在雨中或潮濕環境中。水進入電動工具會增加觸電危險。
- 請勿濫用電線。請勿使用電線來搬運、拉動電動工具或拔出插頭。請讓電線遠離熱、油、銳邊和轉動部件。受損或纏繞的電線會增加觸電危險。
- 若要在戶外使用電動工具，請使用適合戶外使用的延長電線。使用適合戶外使用的電線可減少觸電危險。
- 若必須在潮濕場合使用電動工具，請使用漏電保護器(RCD)。使用 RCD 可降低觸電危險。

#### 3) 人身安全

- 保持警覺；在操作電動工具時，請留意所執行的操作並按照一般的程式執行。請勿在疲倦或在受到毒品、酒精或藥品的影響時使用電動工具。操作電動工具期間注意力分散會導致嚴重人身傷害。
- 使用個人防護裝置。始終佩戴護目裝置。防護裝置，例如在適當條件下使用的防護面盾、防滑安全鞋、安全帽或聽力保護等裝置可減少人身傷害。
- 避免意外啟動。連接電源及/或電池組、舉抬或搬運電動工具之前，請確定開關處於關閉位置。若搬運電動工具時將手指放在開關上，或者在電動工具開關開啟時將插頭插入電源插座，這兩種行為都會引發事故。



- d) 啟動電動工具之前，請卸下所有的調整鑰匙或扳手。遺留在電動工具旋轉部件上的扳手或鑰匙會導致人身傷害。
- e) 請勿過度伸展雙手。時刻注意腳下與身體的平衡。如此即可在發生意外的情況下更好地控制電動工具。
- f) 適當穿著。請勿穿寬鬆衣服或佩戴飾品。請讓頭髮、衣服和手套遠離轉動部件。寬鬆衣服、佩飾和長髮可能會捲入轉動部件。
- g) 若配備用於連接排屑裝置和集塵設備的裝置，請確定正確連接和使用這些裝置。使用集塵設備可減少與粉塵有關的危險。
- h) 請勿因頻繁使用工具，對其十分熟悉而讓你變得自滿，忽略工具的安全原則。粗心大意就會在瞬間造成嚴重傷害。

#### 4) 電動工具的使用與注意事項

- a) 請勿超負荷使用電動工具。請根據您的應用使用正確的電動工具。若使用的電動工具正確無誤，該工具能以設計額定值更有效、更安全地執行工作。
- b) 若開關不能開啟或關閉電源，請勿使用該電動工具。若開關無法控制電動工具，則電動工具存在危險，必須予以維修。
- c) 在執行任何調整、更換配件或儲存工具之前，必須從電源上拔掉插頭及/或卸下電池組。這類防護性措施可降低電動工具意外啟動的風險。
- d) 請將閒置的電動工具存放在兒童無法觸及的地方，同時請勿讓不熟悉電動工具或對這些使用說明不瞭解的人員操作電動工具。電動工具在未經培訓的使用者手中會發生危險。
- e) 維護電動工具和配件請檢查轉動部件是否對準或出現被卡住、破損的情況，以及影響電動工具運行的其他情況。若有損壞，則必須在使用之前修理電動工具。許多事故都是由於電動工具欠缺維護所導致。
- f) 保持刀具鋒利和清潔。妥善維護的帶利刃的切削工具不會被輕易卡住，而且更易控制。
- g) 使用電動工具、配件和工具刀頭等時，請遵循這些指示使用，並且亦需考慮工作環境和有待執行的工作。不按照設計目的使用電動工具會導致危險。
- h) 請保持手柄和握持面乾燥、清潔，不油膩。滑膩的手柄和額握持面讓您無法在意外情況下安全地操控工具。

#### 5) 電池工具的使用與注意事項

- a) 僅使用製造商規定的充電器充電。將適用於某種電池組的充電器用到其他電池組時可能會發生著火危險。
- b) 請為電動工具使用指定的電池組。使用其他電池組會導致人身傷害和火災危險。
- c) 當不用電池組時，請讓它遠離其他金屬物體，例如迴紋針、硬幣、鑰匙、釘子、螺釘或其他小金屬物體，以防電池組一端與另一端連接。短接電池端子可能會引發燃燒或火災。
- d) 如果濫用電池，電池液會從電池中噴出；避免接觸電池液。如果不慎接觸到電池液，請用水沖洗。如果電池液接觸到雙眼，請就醫。從電池噴出的液體會刺激皮膚或造成灼傷。
- e) 請勿使用已經損壞或改裝過的電池組或工具。損壞或改動的電池可能表現出不可預計的行為，存在火災、爆炸或傷害風險。
- f) 請勿讓電池組或工具暴露於明火或高溫環境中。如果暴露於明火或溫度超過 130 °C 的環境中，可能導致電池爆炸。

- g) 請遵守所有充電說明，請勿在說明規定的溫度範圍以外的環境中對電池組或工具充電。不當充電，或在指定範圍以外的溫度下充電，可能導致電池損壞並增加火災風險。

#### 6) 檢修

- a) 維修本電動工具時，必須由合格的維修人員執行，而且只能使用完全一致的更換件。這樣將確保電動工具的安全。
- b) 切勿維修損毀的電池組。電池組的維修應僅由製造商或授權服務提供商進行。

### 棘輪工具的安全說明

- 若在操作中，切勿配件或緊固件會觸及隱藏在牆內的電線，請握住電動工具的絕緣握持面。切勿配件碰到帶電導線可能會使電動工具的外露金屬零件帶電，並讓操作人員面臨觸電危險。
- 使用夾子或其他方法將工件固定和支撐在一個穩定的平臺上。用手扶住工件，或用身體抵住工件，都會讓工件處於不穩定的狀態，從而導致失控。
- 排氣道常常覆蓋轉動部件，應注意避免。寬鬆衣服、佩飾和長髮可能會捲入轉動部件。
- 請勿長時間操作該工具。工具所產生的振動會損傷您的雙手和雙臂。請佩戴手套為您提供額外緩衝，同時請定期休息，以限制自己對振動的暴露程度。
- 配件和工具在運轉過程中會發熱。如需觸碰，請佩戴手套。

### 剩餘風險

即使遵守相關安全規定並採用安全裝置，仍然無法避免某些剩餘風險。這些風險包括：

- 聽力受損。
- 飛濺顆粒造成的人身傷害風險。
- 使用時附件發熱導致的灼傷風險。
- 長時間使用引起的人身傷害風險。

#### 請妥善保管好這些說明

### 充電器

DeWALT 充電器無需調整，易於操作。

#### 電氣安全

電機只適用一種工作電壓。請務必檢查電池組的電壓是否和銘牌上的電壓一致。另外，請確保充電器電壓和主電源的電壓一致。



您的 DeWALT 充電器符合 IEC60335 雙重絕緣要求，因此無需使用接地線。

如果電源線損壞，必須由 DeWALT 或授權的維修機構負責更換。

#### 使用延長線

除非絕對必要，否則請勿使用延長線。使用適合您的充電器輸入功率的合格延長線（請參閱技術資料）。最小的導線尺寸為 1 平方毫米；最大長度為 30 米。

使用電纜捲筒時，請務必拉出所有的電纜。

#### 面向所有充電器的重要安全說明

請妥善保管好這些說明：本手冊包含重要的相容電池充電器安全和操作說明（請參閱技術資料）。

- 在使用充電器之前，請先閱讀所有指示以及充電器、電池組和使用電池組的產品上的警告標記。



**警告：**觸電危險。請勿讓任何液體進入充電器，否則可能會導致觸電。

**警告：**我們建議使用漏電保護額定電流為30毫安培或以下的漏電保護裝置。

**小心：**灼傷危險。為降低受傷風險，僅為 DeWALT 充電電池充電。使用其他類型的電池可能會引起爆裂，並導致人身傷害和損害。

**小心：**應看管好兒童，確保他們不會將此設備當做玩具來玩。

**注意：**在某些情況下，當充電器的插頭插入電源插座時，充電器內部裸露的充電接觸點可能因為異物而短路。請勿讓能導電的異物靠近充電器腔，這些異物包括但不限於鋼棉、鉛箔或任何金屬顆粒的堆積物。充電器內沒有電池組時，務必斷開充電器與電源的連接。先拔下充電器的插頭，再進行清潔。

- 請勿試圖使用本手冊指定的充電器以外的其他任何充電器為電池組充電。充電器和電池組都是專門設計的，互相配合使用。
- 這些充電器不可用作其他用途，只可為 DeWALT 電池充電。如將其用於其他用途，可能存在火災、觸電或電擊致死的風險。
- 請勿將該工具暴露在雨雲中。
- 斷開充電器連接時，應捏住插頭將其拔下，而非通過拉拽電源線拔下插頭。這將降低對電插頭和電線的損害風險。
- 確保電源線佈置在不易踩踏、踢絆、拉扯或會受到損害或壓力的位置。
- 除非絕對必要，否則請勿使用延長線。使用不適當的延長線會引起火災、觸電或觸電致死的風險。
- 請勿將任何物件放在充電器上面，或是把充電器放在可能會堵住通風槽的柔軟表面，導致充電器的內部過熱。請把充電器放置在遠離任何熱源的地方。充電器通過外殼頂端和底端的槽進行通風。
- 請勿使用電源線或插頭已損壞的充電器，請立即更換這些充電器。
- 如果充電器受到強烈重擊、掉落或出現其他損壞情況，請勿使用充電器。請將損壞的充電器送到授權服務中心。
- 請勿自行拆卸充電器。請將需要檢修或修理的充電器送到授權服務中心。重裝不正確可能導致觸電、電擊或火災風險。
- 如果電源線損壞，必須由製造商、服務機構或類似的具有資質的人員立即更換，以防出現任何危險。
- 清潔前，請先斷開充電器和插座的連接，這樣可降低觸電危險。取出電池組不會降低此風險。
- 不得將兩個充電器連接在一起。
- 充電器是為 110V 的標準家用電源而設計。請勿試圖在任何其他電壓下使用充電器。此規則不適用於車載充電器。

## 為電池充電 (圖B)

- 充電器 插入適當的插座中，再插入電池組。
- 將電池組插入充電器 **5**，確保電池組在其中安裝到位。紅燈 (充電) 會持續閃爍，表示充電已經開始。
- 紅燈常亮，表示充電完成。電池組電量已充滿，可以取出使用，也可以將其留在充電器內。如需從充電器上取下電池組，請按下電池組上的 **4** 電池釋放按鈕。

**注意：**為了確保鋰離子電池組的效能及使用壽命最大化，在第一次使用電池組之前必須完全充電。

## 充電器操作

關於電池組的充電狀態，請參閱以下指示燈說明。

### 充電指示燈



\*紅色指示燈會繼續閃爍，但黃色指示燈在本次操作過程中會亮起。電池組達到適當溫度後，黃色指示燈會熄滅，充電器將恢復充電程式。

此兼容充電器不能為故障的電池組充電。充電器指示燈不亮時，表示電池組有故障。

**注意：**亦有可能是充電器發生故障。

這也可能意味著充電器有故障。如果充電器提示存在故障，請將充電器和電池組送到授權的服務中心進行測試。

### 熱/冷電池組延遲

當充電器檢測到電池組過熱或過冷時，它會自動啟動熱/冷電池延遲模式，暫停充電，直到電池組達到適當的溫度。然後，充電器將自動切換到電池組充電模式。該特色功能可以最大程度地延長電池組的使用壽命。

冷電池組充電速度比熱電池組充電速度慢。電池組在整個充電週期的充電速度都會較慢，即使電池組升溫也不會恢復到最大速度。

### 電子保護系統

XR 鋰離子電池工具採用了電子保護系統設計，可讓電池組免受超載、過熱或過度放電之害。

如果電子保護系統處於運作狀態，該工具將自動停止操作。如果發生這種情況，請將鋰離子電池組放在充電器上，直至其完全充電。

### 壁掛式安裝

這些充電器設計為可以安裝在牆上，也可以直立在桌面或工作臺面上。如果安裝在牆上，請確保充電器的位置可以連接到電源插座，並且遠離牆角或其他可能妨礙空氣流通的障礙物。將充電器的背面作為在牆面上螺釘安裝位置的模板。使用至少 25.4 毫米長、螺釘帽直徑至少 7.9 毫米的石膏板螺釘 (單獨購買) 牢牢固定充電器，將螺釘最大限度釘入木材，預留約 5.5 毫米露在牆外。將露出的螺釘與充電器背面的槽對齊，並完全接合到槽中。

### 充電器清潔說明

**警告：觸電危險。清潔前，請將充電器從交流電源插座上拔下。**可用布或非金屬軟刷清除充電器外部的污垢和油脂。請勿使用水或任何清潔劑。不得讓任何液體滲入工具，不得讓工具的任何部件浸在液體中。

## 電池組

### 面向所有電池組的重要安全說明

在訂購更換電池組時，請務必附上目錄型號和電壓。

包裝箱內的電池組並未完全充電。使用電池組和充電器之前，請閱讀下列安全說明。然後，遵循所述的充電程式。

#### 請閱讀所有說明

- 請勿在易爆環境，如有易燃液體、氣體或粉塵的環境中操作電動工具。在充電器中插入或取出電池時可能會點燃粉塵或氣體。
- 不得強行將電池放進充電器。請勿以任何方式改裝電池組並將電池組插入不相容的充電器，這種操作可能會導致電池組破裂，造成嚴重的人身傷害。

- 只是用 DeWALT 充電器為電池充電。
- 請勿噴灑電池組或將其浸泡在水或其他液體中。
- 請勿在溫度可能低於 4 °C (39.2 °F) (例如冬天戶外的棚子或金屬建築物中) 或溫度達到或超過 40 °C (104 °F) 的地方 (如夏天戶外的棚子或金屬建築物中) 存儲或使用工具和電池組。
- 即使電池組嚴重受損或完全損壞, 也請勿焚化電池組。電池組在火中會發生爆炸。鎂離子電池組在燃燒時會釋放有毒氣體和物質。
- 如果電池液體接觸到皮膚, 請立即以中性肥皂和清水沖洗接觸的地方。如果電池液體不慎進入眼睛, 應睜開眼睛並用清水沖洗至少 15 分鐘或直到刺激感消失。如果需要醫療救助, 請告知醫護人員。電池電解質由液狀有機碳酸鹽和鋰鹽的混合物組成。
- 已打開電池的內部物質可能導致呼吸道刺激。請保持空氣流通。如果症狀持續存在, 請就醫。



**警告:** 灼傷危險。電池液如果接觸到火花或火焰可能會燃燒。



**警告:** 無論何種原因, 均不得嘗試打開電池。電池組外殼破裂或損壞時, 請勿將電池組插入充電器。請勿擠壓、掉落或損壞電池組。請勿使用受過強烈重擊、掉落、碾壓或以任何其他方式 (如被釘子穿破、受到錘子的重擊、踐踏) 受損的電池組或充電器。否則可能會導致觸電或電擊致死。損壞的電池組應送回服務中心進行回收。



**警告:** 火災危險。請勿在存儲或搬運電池組時讓金屬物品接觸暴露的電池兩極。例如, 請勿將電池組放在圍裙、口袋、工具箱、產品套件盒、抽屜等可能與散釘、螺釘、鑰匙等物品接觸的地方。



**小心:** 不用時, 將工具側放在平穩的表面上, 確保不會有踢絆或掉落的危險。一些具有大型電池組的工具將直立於電池組之上, 但可能會輕易被撞倒。

## 運輸



**警告:** 火災危險。電池運輸途中, 如果電池兩極意外接觸導電材料, 可能會引發火災。運輸電池時, 務必保護電池兩極, 確保與可能接觸電池導致短路的材料良好絕緣。**注意:** 不應將鎂離子電池放入託運行李中。

DeWALT 電池符合所有適用的行業和法律標準規定的運輸規範, 包括《聯合國危險品運輸建議規章範本》(UN Recommendations on the Transport of Dangerous Goods)、《國際航空運輸協會 (IATA) 危險品規則》(International Air Transport Association (IATA) Dangerous Goods Regulations)、《國際海運危險品 (IMDG) 規則》(International Maritime Dangerous Goods (IMDG) Regulations) 和《歐洲危險貨物國際公路運輸協定》(European Agreement Concerning The International Carriage of Dangerous Goods by Road) (ADR)。鎂離子電池和電池組已遵循《聯合國危險品運輸建議規章範本手冊》第 38.3 節關於測試和標準的說明通過測試。

大多數情況下, 發運 DeWALT 電池組不屬於完全管制的 9 類危險品。通常情況下, 只有當運輸包含一個能量等級大於 100 瓦時 (Wh) 的鎂離子電池時, 才需要作為完全管制的 9 類危險品發運。所有鎂離子電池外殼上均標注有瓦時等級。此外, 由於法規比較複雜, DeWALT 無論瓦時等級是多少, DeWALT 都不建議單獨空運鎂離子電池組。發運包含電池的工作 (組合套件) 時, 如果電池組的能量等級不大於 100 瓦時 (Wh), 則可以按計畫空運。

無論發運是否納入完全管制範圍內, 運輸公司均有責任遵循最新法規中關於包裝、標籤/標記和單據的要求。

本手冊本節的資訊是出於善意提供, 且認為在編制文檔時準確無誤。然而, 不會提供明示或暗示的擔保。購買方負有確保其行為遵守適用法規的責任。

## 存放建議

1. 最好將電池存放在陰涼、乾燥、遠離陽光直射、不會過熱或過冷的地方。為了獲得最佳的電池性能和使用壽命, 請您在不使用電池組時將其存儲在室溫下。
2. 長期存儲時, 建議將完全充電的電池組從充電器取出, 存儲在陰涼、乾燥的地方, 以達到最佳效果。

**注意:** 電池組不應在電池已完全耗盡的狀態下存放。使用電池組之前, 必須重新為電池組充電。

## 充電器和電池組上的標記

除了在本手冊中所使用的標誌, 充電器和電池組的標記還包括:



請在使用前閱讀使用手冊。



如需瞭解充電時間詳細資訊, 請參閱 **技術資料**。



請勿使用導電物體戳刺。



請勿對損壞的電池組充電。



請勿將其暴露於水中。



應立即更換受損電線。



請只在 4 °C 和 40°C 之間的溫度下充電。



僅在室內使用。



棄置電池組時, 請妥善處理以保護我們的環境。



只使用指定的 DeWALT 充電器為 DeWALT 電池組充電。使用 DeWALT 充電器為非 DeWALT 電池充電可能會導致電池爆炸或出現其他危險情況。



請勿焚化電池組。

## 電池類型

如需瞭解更多電池資訊, 請參閱 **技術資料**。

## 包裝內的物品

包裝內的物品包括:

- 1個 棘輪
- 1個 電池充電器
- 鎂電池組
- 1本 說明手冊

**注意:** 電池組、充電器和工具箱沒有隨 N 型號附送。電池組和充電器沒有隨 NT 型號附送。B 型號包括 Bluetooth® 電池組。



**注意：**Bluetooth® 標誌和徽標是註冊商標，歸Bluetooth®, SIG, Inc. 所有，而且DeWALT 對該標誌的任何使用均獲得許可。其他商標和商標名均歸各自所有者所有。

**注意：**G 版本會一同提供帶有玻璃纖維尼龍外殼的電池組和泡沫託盤，以便將工具存放在滾輪櫃中。

- 檢查工具、部件或附件是否在運輸過程中損壞。
- 操作前，請抽空仔細閱讀並理解本手冊的內容。

## 工具上的標記

工具上印有下列圖形：



請在使用前閱讀使用手冊。



請佩戴聽力保護裝置。



請佩戴護目裝置。



可見光源。請勿直視光源。

## 日期碼位置 (圖 B)

日期碼 **9** 也包含製造年份，會被印在外殼上。

示例：

2023 XX XX  
製造年份和週

## 說明 (圖 A)



**警告：**不得自行改動電動工具或其中的任何部分。這樣可能會導致損壞或人身傷害。

- 1 觸發開關
- 2 3/8" 方砧
- 3 正反向轉輪
- 4 電池釋放按鈕
- 5 電池組
- 6 工作燈
- 7 主手柄
- 8 鎖定按鈕

## 設計用途

本電動棘輪為專業電動工具。這些電動棘輪並非扭矩扳手。請勿用該工具將緊固件擰到特定扭矩。如果規定了具體的扭矩值，請使用經過校準的獨立扭矩測量設備，例如扭矩扳手。

**請勿**在潮濕或存在易燃液體或氣體的環境下使用該工具。

這些電動棘輪是專業電動工具。

**請勿**讓兒童接觸到該工具。缺乏經驗的操作員需要在監督下使用本工具。

- **兒童和體弱者。**在沒有他人監督的情況下，兒童或體弱者不適宜使用本產品。
- 本產品不適合體力、感官或智力不足以及缺乏經驗、知識或技能的人員（包括兒童）使用，除非一旁有能為他們的安全負責的監督人員。不得讓兒童單獨與本產品相處。

## 組裝和調整



**警告：**為降低嚴重人身傷害的風險，在進行任何調整或卸下或安裝附件或配件之前，切記關掉工具的電源並取出電池組。意外啟動工具可能會造成傷害。



**警告：**僅使用 DeWALT 電池組和充電器。

## 插入和取出工具上的電池組 (圖 B)

**注意：**確保電池組 **5** 充滿電。

如需將電池組安裝到工具手柄中。

1. 將電池組 **5** 與工具手柄內的軌道對齊 (圖 B)。
2. 將電池組滑入手柄內，使其牢牢地固定在工具內，並確保您聽到其鎖定到位的聲音。

## 如需從工具中取出電池組

1. 按下釋放按鈕 **4**，將電池組從工具握柄中穩妥地拉出。
2. 按本手冊充電器部分所述，將電池組插入充電器中。

## 電池組電量計 (圖 B)

一些 DeWALT 電池組帶有一個包含三個綠色 LED 指示燈的電量計，用於指示電池組內的剩餘電量。

按下電量計按鈕不鬆開，即可啟動電量計 **10**。三個綠色 LED 指示燈將以組合方式亮起，以指示剩餘電量。當電池內的電量低於可用限制時，電量計將不會亮起，電池將需要重新充電。

**注意：**電量計僅指示電池組的剩餘電量。它並不表示該工具的功能，且將根據產品組件、溫度和最終用戶的使用情況而有所不同。

## 鐵砧 (圖 D)



**小心：**使用前先檢查鐵砧，應在使用前更換缺失或受損的物件。

如需在鐵砧上安裝配件，請將配件與鐵砧 **2** 對齊。用力將配件推到鐵砧 **2** 上。

如需拆除配件，請將配件從鐵砧 **2** 上拉下。

## 操作

### 使用說明



**警告：**務必遵守安全指示和適用法規。



**警告：**為降低嚴重人身傷害的風險，在進行任何調整或卸下或安裝附件或配件之前，切記關掉工具的電源並取出電池組。意外啟動工具可能會造成傷害。

## 正確的雙手放置位置 (圖 C)



**警告：**為了降低嚴重人身傷害的風險，請務必如圖示那樣正確放置雙手。



**警告：**為了降低造成嚴重人身傷害的風險，在預期有突然反作用力時務必握緊工具。



**警告：**棘輪可能會出現堵轉（始終做好出現反作用力的準備），導致工具突然出現反作用力。始終做好出現扭轉的準備。用力握住棘輪，控制工具的反作用力，避免可能造成的人身傷害。

正確的雙手放置位置要求您一手握住主手柄 **7**，如圖所示，以控制棘輪的反作用力。

## 變速觸發開關 (圖 A)

可按下和鬆開變速觸發開關來啟動和關閉工具 **1**。越是用力按下觸發開關，工具的運轉速度越高。只要鬆開觸發開關，鐵砧就會停止。

## 正反向控制轉輪 (圖 E)

正反向控制轉輪 **3** 能確定工具轉向。

- 如需選擇正向轉動(順時針),請鬆開觸發開關,逆時針轉動工具頭部的正反向控制轉輪 3。
- 如需選擇反向轉動(逆時針),請鬆開觸發開關,順時針轉動工具頭部的正反向控制轉輪 3。

**注意:**在改變工具轉反向,首次運行工具時,可能會在啟動時聽見咔嚓聲。這是正常情況,並非出現問題。

## 鎖定按鈕(圖 A)




如需鎖定工具,請將鎖定按鈕 8 滑動到鎖定位置。當鎖定按鈕處於鎖定位置,工具就會被鎖住,無法按下觸發開關 1。

## 工作燈(圖 A)

工具下側有一盞工作燈 6。當按下觸發開關,工作燈就會亮起。當鬆開觸發開關,工作燈最多亮起 20 秒。

**注意:**工作燈可照亮工件表面附近的區域,但不可被用作手電筒。

## 使用(圖 A, C)


-  **警告:**為降低嚴重人身傷害的風險,在進行任何調整或卸下/安裝附件或配件之前,切記關掉工具的電源並取出電池組。意外啟動工具可能會造成傷害。
-  **警告:**如果工具超載,棘輪可能會出現堵轉,導致工具突然出現反作用力。始終做好出現反作用力的準備。用力握住棘輪,控制工具的反作用力,避免可能造成的人身傷害。
-  **小心:**確保緊固件和/或系統能夠抵禦工具產生的扭矩水準。扭矩過大可能會導致破裂,還可能造成人身傷害。

型號#	RPM	Ft.-Lbs.	Nm
DCF503	0-250	0-60	0-81.35

1. 將適當的配件安裝到鐵鉗 2 上。
  2. 將配件放在緊固件頭部。
  3. 請考慮目的用途,選擇正向轉動或反向轉動。
  4. 按下可調速觸發開關 1,啟動工具。
  5. 鬆開可調速觸發開關 1,停止工具。
  6. 如果棘輪出現堵轉,工具就會超載或使用不當。立即鬆開變速觸發開關 1。請勿反復按下變速觸發開關 1,試圖啟動已經堵轉的棘輪。這樣做會損壞工具。
  7. 也可以手動操作棘輪,啟動被卡住的緊固件,或鬆開觸發開關並手動施加扭矩,將其調整到位。
- 注意:**過多手動施加的扭矩會損壞工具外殼或機制。




## 維護

您的電動工具只需簡單保養,即可長期使用。若要持續獲得滿意的操作效果,需進行正確的工具維護和定期的清潔。

-  **警告:**為降低嚴重人身傷害的風險,在進行任何調整或卸下或安裝附件或配件之前,切記關掉工具的電源並取出電池組。意外啟動工具可能會造成傷害。


充電器和電池組無法維修。

## 清潔

-  **警告:**觸電和機械危害請先切斷設備電源,再進行清潔。
-  **警告:**為確保操作安全、高效,請務必保持電動設備和通風槽的清潔。
-  **警告:**不得使用溶劑或其他刺激性化學品來清潔工具的非金屬部件。化學品可能會削弱製造零部件所用的材料。僅使用蘸水濕布和溫和的肥皂擦拭。不得讓任何液體滲入工具;不得將工具的任何部件浸沒在液體中。



可使用乾燥、柔軟的非金屬刷和/或恰當的吸塵器清潔器來清潔通風槽。請勿使用水或任何清潔劑。請佩戴獲得批准的護目鏡和防塵面罩。

## 可選配件

-  **警告:**由於配件(除 DeWALT 提供的配件外)尚未與本產品一同接受測試,所以將這些配件與該工具搭配使用會產生危險。為降低受傷風險,僅可將 DeWALT 推薦的配件與本產品搭配使用。

請查詢經銷商,了解有關適當配件的更多資訊。

## 保護環境

-  分類回收。帶有此標誌的產品和電池必須與一般家庭廢物分開處置。
-  產品和電池組含可重複使用或回收的材料,可降低對原材料的需求。請根據當地法規回收電氣產品和電池。更多資訊,請造訪 [www.2helpU.com](http://www.2helpU.com)。

## 可充電的電池組

本電池組使用壽命長,當不能提供順利完成工作所需的電力時,必須進行充電。電池技術壽命結束時,請妥善處理以保護環境:

- 耗盡電池組的電力,然後將其從工具上拆下。
- 鋰電池是可回收的。請將它們送往您的經銷商處或當地的回收站。回收的電池組將被妥善循環使用或處理。

## 售後服務與維修

DeWALT 服務中心均配有訓練有素的工作人員,能為顧客提供高效、可靠的電動工具服務。如果您通過未獲授權的維修中心進行維修,我們不會承擔任何責任。您可參見產品包裝中的“聯繫中心定位器”宣傳單頁,通過熱線電話、網站或社交媒體聯繫我們,找到距離您最近的 DeWALT 服務中心。

**進口商:**新加坡商百得電動工具(股)公司台灣分公司  
**地址:**台北市士林區德行西路 33 號 2 樓  
**電話:**02-28341741

**總經銷商:**永安實業股份有限公司  
**地址:**新北市三重區新北大道二段 137 號  
**電話:**02-29994633

# 충전식 라쳇

## DCF503

### 축하합니다!

DeWALT 공구를 선택해 주셔서 감사합니다. DeWALT 는 오랜 경험을 토대로 한 제품 개발 및 혁신을 통해 전문 사용자들이 가장 인정하는 기업으로 자리잡아왔습니다.

### 기술 데이터

		DCF503
전압	$V_{DC}$	10.8(12 Max)
무부하 속도	/min	0-250
최대 토크	Nm	81.35
전장	mm	330
무게 (배터리 팩 제외)	kg	1.0

배터리				충전기/충전 시간(분)					
카탈로그 번호	$V_{DC}$	Ah	무게 (kg)	DCB104	DCB107	DCB110	DCB112 DCB1102	DCB115 DCB1104	DCB132
DCB122/DCB127	10.8 (12 Max)	2.0	0.22	30	90	90	60	30	30
DCB123	10.8 (12 Max)	1.5	0.20	23	68	68	45	23	23
DCB124	10.8 (12 Max)	3.0	0.25	45	140	140	90	45	45
DCB126/DCB126G	10.8 (12 Max)	5.0	0.44	75	240	240	150	75	75



**경고:** 부상 위험을 줄이려면 사용 설명서를 읽으십시오.

### 정의: 안전 지침

다음 정의는 각 경고 문구의 심각도를 설명합니다. 사용 설명서를 읽고 다음 기호들에 유의하십시오.



**위험:** 절박한 위험 상태를 나타내며, 방지하지 않으면, 사망 또는 심각한 부상을 초래합니다.



**경고:** 잠재적 위험 상태를 나타내며, 방지하지 않으면 사망 또는 심각한 부상을 초래할 수 있습니다.



**주의:** 잠재적으로 위험한 상태를 나타내며, 방지하지 않으면 경미하거나 가벼운 부상을 초래할 수 있습니다.

**참고:** 신체 부상을 초래하지 않는 행위를 나타내며 방지하지 않으면 재산상의 손해가 발생할 수 있습니다.



감전 위험을 나타냅니다.



화재 위험을 나타냅니다.

### 전동 공구에 관한 일반 안전 경고



**경고:** 이 전동 공구와 함께 제공되는 모든 안전 경고와 지시사항, 설명 및 사양을 읽으십시오. 아래 설명한 모든 지시 사항을 따르지 않으면 감전, 화재 및 / 또는 심각한 부상을 초래할 수 있습니다.

**항후 참고할 수 있도록 모든 경고 및 지시 사항을 보관해두십시오**

경고에서 사용된 "전동 공구" 라는 용어는 주 공급 전원에 의해 전기가 공급되는 (유선) 전동 공구 또는 충전식 (무선) 전동 공구를 의미합니다.

### 1) 작업장 안전

- 작업장을 항상 청결하고 밝게 유지하십시오.** 혼잡하거나 어두운 작업장에서는 사고가 발생하기 쉽습니다.
- 가연성 액체, 가스 또는 먼지 등이 있는 폭발성 대기에서 전동 공구를 사용하지 마십시오.** 전동 공구에서 먼지나 가스를 발사시킬 수 있는 불꽃이 될 수 있습니다.
- 전동 공구로 작업하는 동안에는 어린이와 주변 사람들이 작업 영역에 가까이 들어오지 못하도록 하십시오.** 주변이 산만해져 통제력을 잃을 수 있습니다.

### 2) 전기 안전

- 전동공구의 플러그는 콘센트와 형식이 일치해야 하며, 플러그를 어떤 형태로든 개조하지 마십시오.** 또한 접지된 전동공구에 다른 어댑터 플러그를 사용하지 마십시오. 개조되지 않은 플러그 및 형식이 일치하는 콘센트를 사용하면 감전 위험이 줄어듭니다.
- 파이프 판, 라디에이터, 렌지, 냉장고 등의 접지 표면에 물이 닿지 않도록 하십시오.** 몸에 닿을 경우 감전이 될 위험이 높아집니다.
- 전동 공구를 비 또는 습한 환경에 노출하지 않도록 주의하십시오.** 전동 공구에 물이 들어가면 감전 위험이 높아집니다.
- 코드를 함부로 다루지 마십시오.** 코드를 사용하여 전동공구를 운반하거나, 코드를 과도하게 잡아당겨서 플러그를 뽑지 않도록 주의하십시오. 전열코드가 열기 또는 오일과 접촉되는 것을 피하고, 날카로운 모서리 또는 기기의 기동 부위에 닿지 않도록 주의 하십시오. 코드가 손상되거나 얽혀 있으면 감전 위험이 높아집니다.
- 전동 공구를 실외에서 사용할 때는 실외 사용에 적합한 연장 코드를 사용하십시오.** 실외 사용에 적합한 코드를 사용하면 감전 위험이 줄어듭니다.

- f) 전동공구를 습한 공간에서 사용할 경우, 반드시 누전 차단기를 사용하십시오. 누전 차단기 (RCD) 를 사용하여 감전의 위험이 줄어듭니다. RCD 를 사용하면 감전 위험이 줄어듭니다.

**3) 신체 안전 사항**

- a) 전동 공구로 작업할 때는 방심하지 말고 작업에 주의하면서 상식에 따르십시오. 피곤한 상태이거나 약물, 술, 치료제를 복용한 상태에서는 전동 공구를 사용하지 마십시오. 전동 공구를 사용하다 잠깐만 한 눈을 팔아도 심각한 부상을 당할 수 있습니다.
- b) 신체 보호 장비를 착용하십시오. 항상 보안경을 착용하십시오. 적합한 상황에서 방진 마스크, 미끄럼 방지 안전화, 안전모 또는 청력 보호 기구 등의 보호 장비를 사용하면 신체 부상 위험이 줄어듭니다.
- c) 의도하지 않은 장비 가동 방지, 전원 및 / 또는 배터리 팩에 연결된 상태로 공구를 선택 또는 운반할 때는 사전에 스위치가 꺼짐 위치에 있는지 반드시 확인하십시오. 스위치가 켜짐 위치에 있는 상태에서 스위치에 손가락이 닿은 상태로 전동 공구를 운반하거나 전동 공구에 전원을 공급하면 사고가 발생합니다.
- d) 전동 공구를 켜기 전에 모든 조정 키 또는 렌치를 제거하십시오. 전동 공구의 회전 부품에 렌치나 키가 부착되어 있으면 부상을 당할 수 있습니다.
- e) 무리하게 팔을 뻗지 마십시오. 항상 올바른 자세로 서서 균형을 유지하십시오. 안정된 자세로 작업을 할 경우 전동 공구를 안전하게 사용할 수 있습니다.
- f) 적절한 의복을 착용하십시오. 헐렁한 옷이나 장신구를 착용하지 마십시오. 머리카락과 옷이 움직이는 부품에 닿지 않도록 유의하십시오. 헐렁한 옷, 장신구 또는 긴 머리가 움직이는 부품에 걸 수 있습니다.
- g) 먼지 배출 및 집진 시설 연결을 위한 장치 제공된 경우, 이들 장치가 연결되어 적절히 사용되고 있는지 반드시 확인하십시오. 집진 장치를 사용하면 먼지와 관련된 위험을 줄일 수 있습니다.
- h) 장치를 자주 사용함으로써 생긴 익숙함으로 인해 현실에 안주하거나 공구 안전 원칙을 무시하지 않도록 하십시오. 부주의한 작동은 순식간에 심각한 부상을 야기할 수 있습니다.

**4) 전동 공구 사용 및 관리**

- a) 전동 공구에 무리한 힘을 가하지 마십시오. 해당 용도에 맞는 올바른 전동 공구를 사용하십시오. 올바른 전동 공구를 사용해야 설계된 속도로 작업을 더욱 안전하고 정확하게 수행할 수 있습니다.
- b) 켜지지 않거나 꺼지지 않는 경우 전동 공구를 사용하지 마십시오. 스위치로 제어되지 않는 전동 공구는 위험하므로 수리해야 합니다.
- c) 전동 공구를 조정하거나 액세서리를 변경하거나 보관하기 전에 전동 공구에서 분리되는 경우 전원에서 플러그를 뽑거나 또는 배터리 팩을 분리하십시오. 이러한 예방적 안전 조치를 따라야 전동 공구가 갑자기 작동할 위험이 줄어듭니다.
- d) 사용하지 않는 전동 공구는 어린이의 손이 닿지 않는 곳에 보관하고, 전동 공구나 본 지시 사항에 익숙하지 않은 사람이 전동 공구를 절대 사용하지 못하게 하십시오. 전동 공구는 훈련을 받지 않은 사용자가 다루면 위험합니다.

- e) 전동 공구 및 액세서리 유지 보수. 움직이는 부품의 잘못된 정렬이나 바인딩, 부품 파손 및 기타 전동 공구의 작동에 영향을 미칠 수 있는 기타 모든 상태를 확인하십시오. 손상된 부분이 있는 경우 사용하기 전에 전동 공구를 수리하십시오. 많은 사고는 전동 공구를 제대로 유지 보수하지 않아 발생합니다.
- f) 공구를 깨끗한 상태로 유지하십시오. 절삭 가장자리를 예리하게 잘 유지하면 절삭기를 사용할 때 바인딩이 적고 다루기가 용이합니다.
- g) 작업 환경과 수행할 작업을 고려하여, 본 지시 사항에 따라 전동 공구, 액세서리 및 톨 비트 등을 사용하십시오. 본 사용 설명서의 내용과 다른 용도로 전동 공구를 사용하면 위험한 상황이 발생할 수 있습니다.
- h) 핸들과 잡는 표면은 건조하고 깨끗한 상태를 유지하고 오일/기름이 묻지 않도록 하십시오. 미끄러운 핸들과 잡는 면은 예기치 못한 상황에서 안전한 취급과 공구 관리를 보장하지 않습니다.

**5) 배터리 공구 사용 및 주의 사항**

- a) 다시 충전할 때는 제조업체에서 지정한 충전기만 사용하십시오. 하나의 배터리 팩 유형에 적합한 충전기를 다른 배터리 팩과 함께 사용할 경우 화재의 위험이 있습니다.
- b) 전동 공구를 사용할 때는 구체적으로 지정되어 있는 배터리 팩만 사용하십시오. 다른 배터리 팩을 사용하면 부상을 입거나 화재의 위험이 있습니다.
- c) 배터리 팩을 사용하지 않을 때에는 클립, 동전, 키, 못, 나사 등의 금속 물체나, 단자 간에 연결할 수 있는 작은 금속 물체가 닿지 않도록 멀리 두십시오. 배터리 단자가 단락되면 화상을 입거나 화재의 위험이 있습니다.
- d) 배터리를 과다 사용하면 액체가 배터리에서 흘러 나올 수 있으므로, 접촉을 피하십시오. 실수로 접촉한 경우에는 물로 씻으십시오. 액체가 눈에 들어간 경우 치료를 받으십시오. 배터리에서 나온 액체는 통증을 유발하거나 화상을 입힐 수 있습니다.
- e) 손상되거나 변경된 배터리 팩 또는 공구를 사용하지 마십시오. 손상되거나 개조된 배터리는 예측할 수 없는 작용을 보여, 화재, 폭발 또는 부상 위험을 야기할 수 있습니다.
- f) 배터리 팩 또는 공구를 불이나 과도한 온도에 노출하지 마십시오. 불 또는 130°C 이상의 온도에 노출되면 폭발할 수 있습니다.
- g) 모든 충전 지침을 따르고 배터리 팩 또는 공구를 설명서에 지정된 범위 밖의 온도에서 충전하지 마십시오. 적절하지 않게 충전하거나 지정된 범위 밖의 온도에서 충전하면 배터리가 손상되어 화재 위험이 증가될 수 있습니다.

**6) 정비**

- a) 자격을 갖춘 기술자가 동일 교체 부품을 사용하여 정비 작업을 수행해야 합니다. 그래야 전동 공구의 안전이 보장됩니다.
- b) 손상된 배터리 팩을 정비하지 마십시오. 배터리 팩은 제조업체 또는 공인 서비스 공급업체를 통해서만 점검을 받아야 합니다.

**라쳇 공구에 대한 안전 지침**

- 패스너가 숨겨진 배선과 접촉할 수 있는 작업을 수행할 때 절연 그림 표면을 전동 공구를 잡으십시오. "전류가 흐르는"

와이어와 접촉하는 패스너는 도구의 노출된 금속 부분을 "전류가 흐르는" 상태로 만들고 작업자에게 감전을 줄 수 있습니다.

- **클램프 또는 기타 실용적인 방법을 사용하여 공작물을 안정된 플랫폼에 고정하고 지지하십시오.** 공작물을 손이나 몸에 대는 것은 불안정하고 통제력을 상실할 수 있습니다.
- **통풍구는 종종 움직이는 부품에 덮으므로 피해야 합니다.** 훌륭한 옷, 장갑 또는 긴 머리가 움직이는 부품에 걸 수 있습니다.
- **이 공구를 장시간 사용하지 마십시오.** 공구 작동으로 인한 진동은 손과 팔에 해로울 수 있습니다. 장갑을 사용하여 여분의 쿠션을 제공하고 자주 휴식을 취하여 노출을 제한하십시오.
- **작업 중에는 액세서리와 공구가 뜨거워집니다.** 만질 때 장갑을 끼십시오.

## 기타 발생 가능한 위험

관련된 안전 규정을 준수하고 안전 장치를 사용한다고 해도 특정한 위험은 피할 수 없습니다. 그중에는:

- 청각 장애.
- 파편 날림으로 인한 신체 부상 위험.
- 작업 중 뜨거워지는 액세서리로 인한 화상 위험.
- 장기간 사용으로 인한 부상 위험.

**이 사용설명서를 적절한 장소에 보관하십시오**

## 충전기

DeWALT 충전기는 조정할 필요가 없으며 최대한 쉽게 작동하도록 설계되었습니다.

### 전기 안전

전기 모터는 한 가지 전압에만 맞추어 설계되었습니다. 배터리 팩 전압이 명판에 기재된 전압과 일치하는지 항상 확인하십시오. 또한 충전기의 전압이 주전원의 전압과도 일치하는지 확인하십시오.



DeWALT 충전기는 IEC60335에 따라 이중 절연되어 있습니다. 따라서 접지선이 필요하지 않습니다.

전원 코드가 손상된 경우 DeWALT 또는 공인 서비스 기관에서만 교체해야 합니다.

### 연장 케이블 이용

연장 코드는 가끔씩 사용하지 마십시오. 사용 중인 전원공급기 정격전원에 맞는 승인된 연장 코드를 사용하십시오 (**기술 데이터** 참조). 최소 도체 크기는 1mm<sup>2</sup>입니다. 최대 길이는 30m입니다. 케이블 릴을 사용할 때는 항상 케이블을 완전히 푸십시오.

### 모든 배터리 충전기에 대한 중요한 안전 지침

본 지침을 잘 보관해 두십시오. 본 사용 설명서에는 호환이 되는 배터리의 충전기에 대한 중요한 안전 및 작업 지침이 포함되어 있습니다 (**기술 데이터** 참조).

- 충전기를 사용하기 전에 충전기, 배터리 팩, 그리고 배터리 팩



**경고:** 감전 위험. 충전기 내부에 액체가 들어가지 않도록 하십시오. 감전될 수 있습니다.



**경고:** 정격 잔류 전류가 30mA 미만인 누전 차단기를 사용하는 것이 좋습니다.



**주의:** 화상 위험. 부상 위험을 줄이려면 DeWALT 충전식 배터리만 충전하십시오. 다른 유형의 배터리는 폭발로 인한 신체 부상과 손상을 초래할 수 있습니다.



**주의:** 어린이가 본 제품을 가지고 놀지 못하도록 항상 주의해야 합니다.

**참고:** 특정 조건에서, 충전기가 전원 공급기에 연결되어 있으면 충전기 내부에 노출된 충전 접점이 이물질에 의해 단락될 수 있습니다. 철부스러기, 알루미늄 호일, 금속 입자 축적물 등의 전도성 이물질은 충전기 캐비티에 닿지 않게 해야 합니다. 캐비티 안에 배터리 팩이 없을 경우 항상 배터리의 전원 공급기에서 충전기의 플러그를 뽑으십시오. 충전기를 청소할 때는 플러그를 뽑아야 합니다.

- **본 사용 설명서에 명시된 충전기 외의 다른 충전기로 배터리 팩을 충전하지 마십시오.** 본 충전기와 배터리 팩은 함께 사용하도록 특수 설계되었습니다.
- **이 충전기는 DeWALT 충전식 배터리 충전 이외의 용도로 사용할 수 없습니다.** 다른 용도로 사용하면 화재, 감전 또는 감전사고의 위험이 있습니다.
- **충전기가 비나 눈을 맞지 않도록 하십시오.**
- **충전기를 분리할 경우 코드가 아니라 플러그를 뽑으십시오.** 그레아만 전기 플러그 및 코드 손상 위험이 줄어듭니다.
- **코드가 밟히거나 걸리거나 기타 원인에 의해 손상되거나 압박을 받지 않도록 유의하십시오.**
- **불가피한 경우가 아니면 연장 코드를 사용하지 마십시오.** 연장 코드를 잘못 사용하면 화재, 감전 또는 감전사의 위험이 있습니다.
- **충전기 위에 물건을 올려놓거나 부드러운 표면에 충전기를 두면 환기 슬롯이 막혀 내부가 과열될 수 있습니다.** 충전기는 열원에 가까이 두지 마십시오. 충전기는 하우징의 상단과 하단에 있는 슬롯을 통해 환기됩니다.
- **코드나 플러그가 손상된 충전기를 작동시키지 마십시오 — 즉시 교체하십시오.**
- **심한 충격을 받았거나 떨어뜨렸거나 어떠한 식으로든 손상된 경우에는 충전기는 충전기를 작동시키지 마십시오.** 공인 서비스 센터로 가져가십시오.
- **충전기를 분해하지 마십시오.** 서비스나 수리가 필요한 경우에는 **공인 서비스 센터로 가져가십시오.** 잘못 재조립하면 감전, 감전사 또는 화재의 위험이 있습니다.
- 전원 코드가 손상된 경우 사고 방지를 위해 제조업체, 서비스 대리점 또는 이에 준하는 유자격 수리 기술자를 통해 즉시 교체하십시오.
- **청소하려면 먼저 충전기를 콘센트에서 분리하십시오. 그레아 감전 위험이 줄어듭니다.** 배터리 팩을 제거하는 것만으로 이러한 위험이 줄어들지는 않습니다.
- **절대로 충전기 두 개를 함께 연결하지 마십시오.**
- **충전기는 가정용 표준 전력 220-240V으로 작동하도록 설계되어 있습니다.** 다른 전압에서는 사용하지 마십시오. 차량용 충전기는 제외됩니다.
- 충전기에 제품을 거치하여 충전이 시작되는 순간 누전차단기가 작동하면 즉시 충전을 멈추고 고객지원센터로 연락하십시오.
- 전원선을 무리하게 구부리거나 무거운 물건에 눌러 손상되지 않도록 주의하십시오. 전원선이 손상되어 감전 또는 화재의 원인이 됩니다.
- 충전기가 침수됐거나 물이 들어간 경우에는 사용을 중지하십시오.
- 동물이 충전기 전원선을 갉아 먹지 않도록 주의 하십시오.

### 배터리 충전 (그림 B)

1. 배터리를 꺼내기 전에 충전기를 적절한 콘센트에 꽂습니다.



2. 배터리를 팩을 5 충전기에 삽입하고 배터리 팩이 충전기에 완전히 장착되었는지 확인합니다. 빨간색 (충전 중) 표시등이 반복해서 깜빡이면서 충전 프로세스가 시작되었음을 알립니다.
3. 충전이 완료되면 빨간색 불이 계속 켜져 있습니다. 배터리 팩이 완전히 충전되면 바로 사용하거나 충전기에 그대로 둡니다. 충전기에서 배터리 팩을 제거하려면 배터리 팩의 배터리 분리 버튼 4 을 누릅니다.

**참고:** 리튬이온 배터리의 팩의 성능과 수명을 극대화하려면 처음 사용하기 전에 배터리 팩을 완전히 충전시키십시오.

### 충전기 작동

배터리 팩의 충전 상태는 아래 표시등을 참조하십시오.



\*빨간색 표시등이 계속 깜빡거리지만, 노란색 표시등은 이 작동동안 계속 켜져 있습니다. 배터리 팩이 적정 온도에 도달하면, 노란색 표시등이 꺼지고 충전기에서 충전 절차를 다시 시작합니다.

이 호환 충전기는 결함이 있는 배터리 팩은 충전하지 못합니다. 등이 켜지지 않도록 하여 배터리에 결함이 있음을 표시합니다.

**참고:** 이는 충전기 고장을 의미할 수도 있습니다.

충전기에 문제가 표시되는 경우 충전기와 배터리 팩을 공인 서비스 센터로 가져 가서 테스트를 받아 보십시오.

### 냉 / 온 팩 지연

충전기에서 너무 뜨겁거나 차가운 배터리 팩이 감지되면, 냉 / 온 팩 지연이 자동으로 시작되어 배터리 팩이 적절한 온도가 될 때까지 충전이 중단됩니다. 이 과정이 끝나면 충전기가 자동으로 팩 충전 모드로 전환됩니다. 이 기능은 배터리 팩 수명을 최대한으로 보장하기 위한 것입니다.

차가운 배터리 팩은 따뜻한 배터리 팩보다 더 느린 속도로 충전됩니다. 충전 사이클 전체에 걸쳐 배터리 팩은 이렇게 느린 속도로 충전되며 배터리 팩이 따뜻해지더라도 최대 충전 속도로 복원되지 않습니다.

### 전자 보호 시스템

XR 리튬이온 배터리 팩은 배터리에 과부하가 걸리거나 과열 또는 완전 방전되는 것을 방지하는 전자 보호 시스템으로 설계되었습니다.

이 공구는 전자 보호 시스템이 작동하면 자동으로 꺼집니다. 이러한 경우 리튬 이온 배터리가 완전히 충전될 때까지 충전기에 리튬 이온 배터리 팩을 넣으십시오.

### 벽 장착

이들 충전기는 테이블 또는 작업 표면에 똑바로 세우거나 벽에 장착할 수 있도록 설계되었습니다. 벽에 장착하는 경우, 충전기는 전기 콘센트에 닿을 수 있는 범위 내에 놓고, 공기 흐름이 방해될 수 있는 코너 또는 기타 장애물로부터 멀리 두십시오. 벽에서 장착 나사의 위치는 견본으로 충전기의 뒤쪽을 사용하십시오. 나사 머리 직경이 7~9 mm 인 최소 25.4 mm 길이의 쇠고보다 나사 (별도 구매) 를 사용해서 충전기를 단단히 장착하고, 노출된 나사의 외 5.5 mm 를 남겨 두고 최적의 깊이로 목재에 고정합니다. 충전기 뒤쪽의 구멍을 노출되어 있는 나사에 맞추고 구멍에 완전히 맞물리도록 하십시오.

### 충전기 청소 지침

**경고:** 감전 위험. 청소하려면 먼저 충전기를 AC 콘센트에서 분리하십시오. 형검이나 부드러운 비금속성 브러시로 충전기 외관 부분에 묻은 먼지 및 기름을 제거할 수 있습니다. 물이나 세척제를 사용하지 마십시오. 공구 내부에 액체를 넣거나 공구 부품을 액체에 담그는 행동은 절대 금물입니다.

### 배터리 팩

#### 모든 배터리 팩에 대한 중요한 안전 지침

배터리 팩을 교체하기 위해 주문할 때는 카탈로그 번호와 전압을 반드시 확인하고 표기해야 합니다.

배터리 팩은 포장박스에서 꺼낼 때 완전히 충전된 상태가 아닙니다. 배터리 팩과 충전기를 사용하기 전에 아래 안전 지침을 숙독하십시오. 그런 다음 설명된 충전 절차를 따르십시오.

#### 모든 지시 사항을 읽으십시오

- 가연성 액체, 가스 또는 먼지 등 폭발 위험이 있는 환경에서 배터리를 충전하거나 사용하지 마십시오. 배터리를 끼우거나 충전기에서 분리할 때 먼지나 가스에 불이 붙을 수 있습니다.
- 충전기에 배터리 팩을 끼울 때 과도한 힘을 주지 마십시오. 어떤 형태론든 호환되지 않는 충전기에 사용하기 위해 배터리 팩을 개조하지 마십시오. 배터리 팩이 파열되어 심각한 부상을 유발할 수 있습니다.
- DEWALT 충전기에서만 배터리 팩을 충전하십시오.
- 물이나 기타 액체가 튀어 묻거나 액체에 빠지지 않도록 하십시오.
- 온도가 4°C (39.2°F) 이하로 떨어지거나 (겨울의 금속 외벽 또는 금속 건물과 같은) 장소에서 공구와 배터리 팩을 보관하거나 사용하지 마십시오 40°C (104 °F) (여름철 허름한 창고 또는 금속 건물 등).
- 배터리 팩이 심하게 손상되거나 완전히 낡았다더라도 절대 소각하지 마십시오. 배터리 팩은 불속에서 폭발할 수 있습니다. 리튬이온 배터리 팩은 연소되면서 독성 연기와 물질을 발생시킵니다.
- 배터리 내용물이 피부에 닿으면 즉시 중성 세척제로 해당 부위를 씻으십시오. 배터리액이 눈에 들어갔을 경우, 15 분 정도 또는 통증이 가실 때까지 눈을 뜨고 물로 씻어냅니다. 치료가 필요한 경우를 위해, 배터리 전해질은 액체 유기 탄산염과 리튬염의 혼합물로 구성되어 있음을 알아 두십시오.
- 열린 배터리 셀의 내용물은 호흡기를 일으킬 수 있습니다. 신선한 공기를 공급하십시오. 증상이 계속되면 치료를 받으십시오.
- 직사광선이 비치는 차량 내부에는 제품 또는 배터리를 보관하지 마십시오.

**경고:** 화재 위험. 배터리액은 불꽃이나 화염에 노출되면 연소될 수 있습니다.

**경고:** 어떤 이유론든 배터리 팩을 절대 분해하지 마십시오. 배터리 팩 케이스가 깨지거나 손상되면 충전기에 넣지 마십시오. 배터리 팩을 문개거나 떨어뜨리거나 손상시키지 마십시오. 날카로운 타격을 받거나, 떨어 뜨리거나, 넘어지거나, 어떤 식 으로든 손상된 배터리 팩이나 충전기를 사용하지 마십시오 (예 : 못으로 뚫고 망치로 치거나 밟은 경우). 감전 또는 감전사의 위험이 있습니다. 손상된 배터리 팩은 재활용을 위해 서비스 센터에 반환해야 합니다.



**경고: 화재 위험. 배터리 팩을 보관하거나 휴대할 때는 노출된 배터리 단자에 금속 물체가 닿지 않도록 하십시오.**  
예를 들어, 못, 나사, 키 등이 있는 알치마, 주머니, 도구상자, 제품 키트 상자, 서랍 등에 배터리 팩을 두지 마십시오.



**주의: 사용하지 않는 공구는 걸려 넘어지거나 떨어질 위험이 없는 안정된 표면에 놓혀 두십시오.** 큰 배터리 팩이 있는 일부 공구는 배터리 팩 위에 똑바로 세워져 있지만 쉽게 넘어 질 수 있습니다.

**운반**



**경고: 화재 위험.** 배터리를 운반할 때 배터리 단자가 실수로 전도성 물질과 닿을 경우 화재 위험의 가능성이 있습니다. 배터리를 운반할 경우에는 배터리 단자가 보호되어 있고, 물체에 닿을 경우 단락을 일으킬 수 있는 물체로부터 제대로 절연되어 있는지 확인하십시오. **참고:** 리튬이온 배터리는 검사된 수화물에 넣어야 합니다.

DeWALT 배터리는 UN 의 위험물 운송에 관한 권고(Recommendations on the Transport of Dangerous Goods, RTDG), 국제 항공 운송 협회(IATA) 의 위험물 규정, 국제해상위험물(International Maritime Dangerous Goods, IMDG) 규정 및 국제도로위험물품운송에 관한 유럽조약 (European Agreement Concerning The International Carriage of Dangerous Goods by Road (ADR))을 포함하여 산업 표준 및 법적 기준에 따라 해당되는 모든 운송 규정을 준수합니다. 리튬 이온 전지 및 배터리는 위험 화물 테스트 및 기준 설명서에 대한 UN 권고 38.3 항에 따라 테스트되었습니다.

대부분의 경우 DeWALT 배터리 팩 배송은 완전히 규제되는 9등급 위험 물질로 분류되지 않습니다. 일반적으로, 에너지효율 등급이 100 와트시 (Wh) 보다 큰 리튬 이온 배터리를 포함하는 수송품만 완전 규제를 받는 Class 9 에 따라 운송되어야 합니다. 모든 리튬 이온 배터리에는 팩에 와트시 등급이 표시되어 있습니다. 또한 규정의 복잡성으로 인해 DeWALT 는 와트시 등급에 관계없이 리튬 이온 배터리 팩만 항공 운송하는 것을 권장하지 않습니다. 배터리 팩의 와트시 등급이 100 Whr 보다 크지 않을 경우는 제외되므로 배터리 (폼보 키트) 가 포함된 공구의 수송품은 항공 운송할 수 있습니다.

수송품이 예외로 고려되든지 또는 완전 규제를 받든지 여부와 상관 없이, 포장, 라벨링 / 표시 및 문서 요건에 관한 최신 규정을 찾아보는 것은 운송 회사의 책임입니다.

설명서의 본 섹션에서 제공하는 정보는 옳다고 믿고 제공되며 문서가 작성되었던 시기에는 정확한 것으로 간주됩니다. 단, 보증은 명시적이거나 함축적으로 제공되지 않습니다. 활동 시 해당 규정을 준수하는 것은 구매자의 책임입니다.

**보관 권장 사항**

1. 보관 장소로는 직사광선을 받지 않고 지나치게 덥거나 춥지 않은 시원하고 건조한 곳이 가장 좋습니다. 최적의 배터리 성능과 수명을 위해, 사용하지 않을 때에는 배터리 팩을 실온에서 보관하십시오.
2. 장기간 보관하는 경우, 최적의 결과를 위해 완전히 충전된 배터리 팩을 충전기에서 분리하여 서늘하고, 건조한 장소에 보관하는 것이 좋습니다.

**참고:** 배터리 팩은 완전히 방전된 상태로 보관해서는 안됩니다. 사용 전에 배터리 팩을 재충전해야 합니다.

**충전기 및 배터리 팩에 부착된 라벨**

본 설명서에 사용된 그림 외에도 충전기 및 배터리 팩에 부착된 라벨에는 다음과 같은 그림이 표시되어 있습니다:



사용 전에 사용 설명서의 내용을 숙지하십시오.



충전 시간은 **기술 데이터**를 참조하십시오.



전도성 있는 물체로 시험하지 마십시오.



손상된 배터리 팩을 충전하지 마십시오.



물에 닿지 않도록 하십시오.



손상된 코드는 즉시 교체하십시오.



4°C ~ 40°C 사이에서만 충전하십시오.



실내 전용.



환경 보호 차원에서 배터리 팩을 폐기하십시오.



DeWALT 배터리 팩은 지정된 DeWALT 충전기뿐만 충전하십시오. 지정된 DeWALT 배터리 이외의 배터리 팩을 DeWALT 충전기로 충전하면 파열되거나 다른 위험한 상황이 발생할 수 있습니다.



배터리 팩을 소각하지 마십시오.

**배터리 유형**

자세한 내용은 **기술 데이터**를 참조하십시오.

**포장 내용물**

포장에는 다음 내용물이 들어 있습니다:

- 1 라켓
- 1 배터리 충전기
  - 리튬 이온 배터리 팩
- 1 사용 설명서

**참고:** N 모델에는 배터리 팩, 충전기 및 보관함이 포함되어 있지 않습니다. 배터리 팩과 충전기는 NT 모델에 포함되어 있지 않습니다. B 모델에는 Bluetooth® 배터리 팩이 포함됩니다.

**참고:** Bluetooth® 워드 마크 및 로고는 Bluetooth®, SIG, Inc. 가 소유한 등록 상표이며 DeWALT는 라이선스 하에 이러한 마크를 사용합니다. 기타 상표 및 상호는 해당 소유자의 상표입니다.

**참고:** G 버전은 유리로 채워진 나일론 배터리 팩과 롤러 캐비닛에 보관할 수 있는 폼 트레이와 함께 제공됩니다.

- 운반 중에 발생할 수 있는 공구, 부품 또는 액세서리의 손상 여부를 확인하십시오.
- 작동 전에 시간을 내어 본 사용 설명서를 읽고 숙지하십시오.

## 공구에 표시된 마크

공구에는 다음과 같은 그림이 있습니다:



사용 전에 사용 설명서의 내용을 숙지하십시오.



귀 보호 장구를 착용하십시오.



보안경 착용.



가시 광선. 빛을 응시하지 마십시오.

## Date Code 위치 (그림 B)

Date Code에는 9 제조년도가 포함되어 이 제조년도는 케이스에 인쇄되어 있습니다.

예: 2023 XX XX  
제조년도

## 설명 (그림 A)



**경고:** 전동 공구 또는 전동 공구의 어떤 부품도 절대 개조하지 마십시오. 제품이 파손되거나 신체 부상을 당할 수도 있습니다.

- 1 트리거 스위치
- 2 3/8" 사각 앤빌
- 3 정방향 / 역방향 다이얼
- 4 배터리 해제 버튼
- 5 배터리 팩
- 6 작업 등
- 7 메인 핸들
- 8 잠금 해제 버튼

## 용도

이 충전식 라쳇은 경량 체결 애플리케이션을 위해 설계되었습니다. 이 충전식 라쳇은 토크 렌치가 아닙니다. 패스너를 지정된 토크로 조일 때 이 공구를 사용하지 마십시오. 토크가 지정된 토크 렌치와 같은 독립적인 보정된 토크 측정 장치를 사용해야 합니다.

**절대로 습한 환경이나 가연성 액체 또는 가스가 있는 곳에서 사용하지 마십시오.**

이 전동식 라쳇은 전문적인 전동 공구입니다.

**어린이가 이 공구를 만지지도 않도록 하십시오.** 경험이 없는 운영자가 이 테이블 톱을 사용할 때는 감독이 필요합니다.

- 어린이 및 노약자. 본 제품은 어린이나 노약자가 사용하도록 설계되지 않았습니다. 이러한 사람이 사용할 때는 감독이 필요합니다.
- 본 제품은 안전 책임을 맡고 있는 사람이 감독을 하고 있지 않는 한 경험, 지식 또는 기술이 부족하고 신체적, 감각적 또는 정신적 능력이 미약한 사람 (어린이 포함) 이 사용하도록 고안된 것이 아닙니다. 이 제품과 함께 어린이만 혼자 두어서는 안됩니다.

## 조립 및 조정



**경고:** 심각한 신체 부상의 위험을 줄이려면 공구를 정하거나 부활물 또는 액세서리를 제거 / 체결하기 전에 공구를 끄고 배터리 팩을 분리하십시오. 공구가 갑자기 작동하여 부상을 당할 수 있습니다



**경고:** DeWALT 배터리 팩과 충전기만 사용하십시오.

## 틀에서 배터리 팩 삽입 및 제거(그림 B)

**참고:** 배터리 팩이 5 완전히 충전되었는지 확인하십시오.

## 배터리 팩을 공구 핸들에 체결하려면

1. 배터리 팩을 5 공구 손잡이 내부의 레일에 맞춥니다 (그림 B).
2. 공구에 배터리 팩이 견고하게 장착될 때까지 핸들에 밀어 넣고 딸깍하고 잠기는 소리가 들리는지 확인하십시오.

## 공구에서 배터리 팩을 분리하려면

1. 해제 버튼을 누르고 4 배터리 팩을 도구 손잡이에서 단단히 잡아 당깁니다.
2. 본 사용 설명서의 충전기 섹션에 설명된 대로 배터리 팩을 충전기에 삽입합니다.

## 연료 게이지 배터리 팩 (그림 B)

일부 DeWALT 배터리 팩에는 배터리 팩에 남아 있는 충전 수준을 나타내는 3개의 녹색 LED 표시등으로 구성된 연료 게이지가 있습니다. 연료 게이지를 작동하려면 연료 게이지 버튼 10 을 길게 누릅니다. 녹색 LED 표시등 3 개가 조합되어 커짐으로써 충전 잔량 수준을 나타냅니다. 배터리 잔량이 사용 가능한 한계치 미만이면 배터리 잔량 표시등이 켜지지 않으므로 배터리를 재충전해야 합니다.

**참고:** 잔량표시등은 배터리 팩에 남아 있는 충전 레벨을 나타내는 것일 뿐입니다. 공구의 기능성을 나타내는 것이 아니며 제품 구성품, 온도 및 최종 사용자의 용도에 따라 변경될 수 있습니다.

## 앤빌 (그림 D)



**주의:** 사용하기 전에 앤빌을 검사하십시오. 누락되거나 손상되었다면, 사용하기 전에 교체해야 합니다.

**앤빌에 액세서리를 체결하려면,** 액세서리를 앤빌에 맞춥니다 2. 액세서리를 앤빌에 대고 누릅니다 2.

**액세서리를 제거하려면,** 액세서리를 앤빌에서 잡아당깁니다 2.

## 조작

## 사용 지침



**경고:** 항상 안전 지시 사항과 해당 규정을 준수하십시오.



**경고:** 심각한 부상의 위험을 줄이려면 조정을 하거나 부활물 또는 액세서리를 제거 / 체결하기 전에 도구를 끄고 배터리팩을 분리하십시오. 공구가 갑자기 작동하여 부상을 당할 수 있습니다.

## 올바른 손의 위치(그림 C)



**경고:** 심각한 신체 부상의 위험을 줄이려면 항상 그림과 같이 올바르게 손을 위치하십시오.



**경고:** 심각한 신체 부상의 위험을 줄이려면, 항상 급작스러운 반응을 예상하고 확실하게 잡으십시오.



**경고:** 라쳇이 (과부하되거나 부적절하게 사용된 경우) 비틀림을 유발할 수 있습니다. 항상 실속을 기대하십시오. 라쳇을 단단히 잡고 비틀림 동작을 제어하고 부상을 입을 수 있는 제어력 상실을 방지합니다.

적절한 손 위치는 라쳇의 비틀림 동작을 제어하기 위해 그림과 같이 한 손으로 메인 핸들 7 을 잡아야 합니다.



## 가변 속도 트리거(그림 A)

가변 속도 트리거 ①를 당겼다 놓으면 공구가 꺼지고 꺼집니다. 트리거를 더 멀리 눌렀을수록 공구의 속도가 빨라집니다. 트리거 스위치를 완전히 놓으면 앤빌이 중지됩니다.

## 정방향 / 역방향 다이얼(그림 E)

정방향 / 역방향 제어 다이얼 ③은 공구의 회전 방향을 결정합니다.

- 정회전(시계 방향)을 선택하려면 트리거를 놓고 공구 헤드의 정회전 / 역회전 다이얼 ③을 시계 반대 방향으로 돌립니다.
- 역회전(반시계 방향)을 선택하려면 트리거를 놓고 공구 헤드의 정회전 / 역회전 다이얼 ③을 시계 방향으로 돌립니다.

**참고:** 회전 방향을 변경한 후 공구를 처음 실행하면 작동 시 클릭 소리가 들릴 수 있습니다. 이는 정상적인 현상이며 문제가 있는 것은 아닙니다.

## 잠금 해제 버튼(그림 A)

공구를 잠그려면 잠금 해제 버튼 ⑧을 잠금 위치로 밀니다. 공구를 잠그려면 잠금 해제 버튼 ①을 잠금 위치로 밀니다.

## 작업등(그림 A)

공구 아래쪽에 작업등 ⑥이 있습니다. 작업 등은 트리거 스위치를 눌렀을 때 활성화됩니다. 트리거를 놓으면 작업등이 최대 20초 동안 켜져 있을 수 있습니다.

**참고:** 작업등은 바로 작업 표면을 비추기 위한 것이며 손전등으로 사용할 수 없습니다.

## 사용법(그림 A, C)

**경고:** 심각한 부상의 위험을 줄이려면 조정 또는 부착물 또는 액세서리 제거 / 체결 전에 공구를 끄고 배터리 팩을 제거하십시오. 공구가 갑자기 작동하여 부상을 당할 수 있습니다.

**경고:** 과부하가 걸리면 라쳇이 멈춰 갑작스런 비틀림이 발생할 수 있습니다. 항상 공구가 비틀릴 것으로 예상하십시오. 라쳇을 단단히 잡고 비틀림을 제어하고 부상을 방지할 수 있습니다.

**주의:** 패스너 및 / 또는 시스템이 공구에서 발생하는 토크 수준을 견딜 수 있는지 확인하십시오. 과도한 토크는 파손 및 부상의 원인이 될 수 있습니다.

카테고리 번호	RPM	Ft.-Lbs.	Nm
DCF503	0-250	0-60	0-81.35

1. 앤빌에 적절한 액세서리를 체결합니다 ②.
2. 패스너 헤드에 액세서리를 놓습니다.
3. 의도한 작업을 고려하고 정회전 또는 역회전을 선택합니다.
4. 가변 속도 트리거 스위치 ①를 눌러 작동을 시작합니다.
5. 작동을 중지하려면 가변 속도 트리거 스위치 ①를 놓습니다.
6. 라쳇이 멈추다면 공구가 과부하되었거나 부적절하게 사용된 것입니다. 가변 속도 트리거 스위치 ①를 즉시 놓습니다. 정지된 라쳇을 작동시키기 위해 가변 속도 트리거 스위치 ①를 켜고 끄지 마십시오. 공구가 손상될 수 있습니다.
7. 또한 라쳇을 수동으로 사용하여 완고한 패스너를 시작하거나 트리거를 풀고 손으로 토크를 적용하여 꼭 조일 수 있습니다.

**참고:** 수동으로 과도한 토크를 가하면 공구 하우징이나 메커니즘이 손상될 수 있습니다.

## 유지 보수

이 전동 공구는 최소한의 유지 보수로 장기간에 걸쳐 작업이 가능하도록 설계되어 있습니다. 만족스러운 연속 작동은 적절한 공구 관리와 정기적인 청소에 따라 그 성능이 달라질 수 있습니다.

**경고:** 심각한 신체 부상의 위험을 줄이려면 공구를 정하거나 부속물 또는 액세서리를 제거 / 체결하기 전에 공구를 끄고 배터리 팩을 분리하십시오. 공구가 갑자기 작동하여 부상을 당할 수 있습니다.

충전기 및 배터리 팩은 수리할 수 없습니다.

## 청소

**경고:** 감전 및 기계적 위험. 청소하기 전에 전기 제품을 전원에서 분리하십시오.

**경고:** 안전하고 효율적인 작동을 위해 전기 제품과 환기구를 항상 깨끗하게 유지하십시오.

**경고:** 공구의 비금속성 부품을 청소할 때는 용제 등의 강력한 화학약품을 절대 사용하지 마십시오. 이러한 화학 물질은 이러한 부품에 사용된 재료를 약화시킬 수 있습니다. 물과 순한 비누로만 적신 천을 사용하십시오. 공구 내부에 액체를 넣거나 공구 부품을 액체에 담그는 행동은 절대 금물입니다.

통풍구는 건조하고 부드러운 비금속 브러시 및/또는 적합한 진공 청소기를 사용하여 청소할 수 있습니다. 물이나 세척제를 사용하지 마십시오. 승인된 보안경과 승인된 방진 마스크를 착용하십시오.

## 옵션 액세서리

**경고:** DeWALT에서 제공하지 않은 액세서리는 본 제품에서 테스트되지 않았으므로 본 제품에서 이러한 액세서리를 사용하면 위험할 수 있습니다. 신체 부상의 위험을 줄이려면 본 제품에 알맞은 액세서리만 사용해야 합니다.

해당 액세서리에 대한 자세한 정보는 판매 대리점으로 문의하십시오.

## 환경 보호

분리수거 기호가 표시된 제품 및 배터리는 일반 가정 쓰레기와 함께 폐기해서는 안 됩니다.

제품과 배터리에는 원재료 수요를 줄이기 위해 회수하거나 재활용할 수 있는 재료가 포함되어 있습니다. 지역 규정에 따라 전기 제품과 배터리를 재활용하십시오. 자세한 내용은 [www.2helpU.com](http://www.2helpU.com)에서 찾아볼 수 있습니다.

## 충전용 배터리 팩

이전에 쉽게 수행했던 작업에 대해 충분한 힘을 발휘하지 못하는 배터리 팩은 재충전해야 합니다. 배터리 수명이 다하면 환경 보호 차원에서 배터리 팩을 폐기하십시오.

- 배터리 팩을 완전히 사용하고 난 후 공구에서 분리하십시오.
- 리튬이온 전지는 재활용할 수 있습니다. 이 전지를 판매점이나 지역 재활용 센터로 가져가십시오. 수집된 배터리 팩은 재활용되거나 적절히 폐기됩니다.

## 정비 및 수리

DeWALT는 고객들에게 가장 효율적이고 신뢰할 수 있는 서비스를 제공하기 위하여 훈련된 직원들로 센터를 구성하고 있습니다. 사용자의 안전 및 제품의 신뢰성을 보장하기 위하여 제품의 정비, 유지 보수 및 수리는 반드시 공인된 서비스센터에서 수행해야 합니다. 자격이 없는 곳으로부터 받은 제품의 정비 및 수리는 사용자의 부상 위험 및 불이익을 초래할 수 있습니다. 가까운 DeWALT 서비스센터의 위치를 알아보려면, 제품과 함께 동봉된 전단을 통해 전화번호, 홈페이지 주소 및 기타 연락처 등을 확인할 수 있습니다.



