

DEWALT®

www.**DEWALT**.com

D25323

English (original)	4
中文 (简体)	13
한글판	22
ภาษาไทย	31

Figure 1

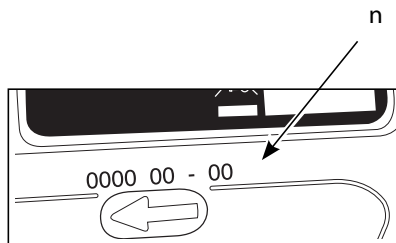
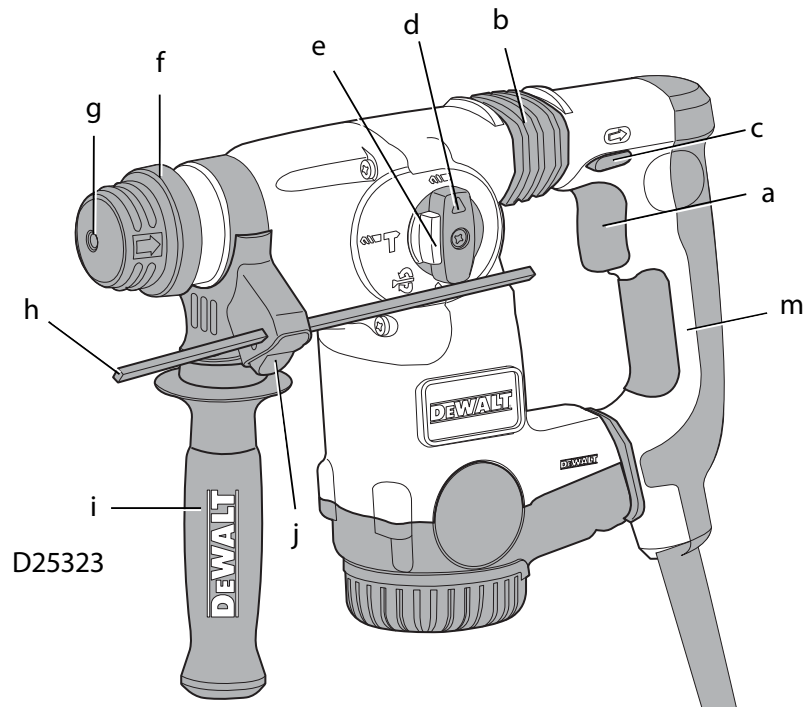


Figure 2

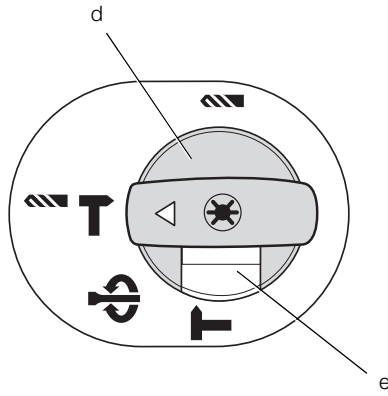


Figure 3

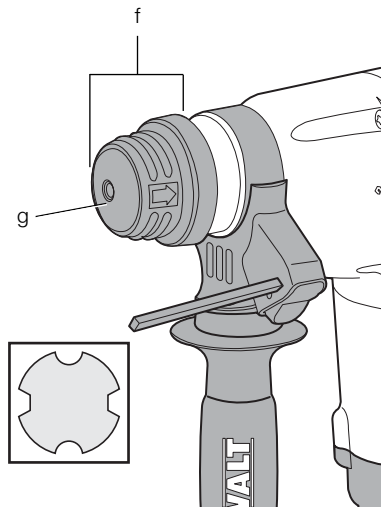


Figure 4

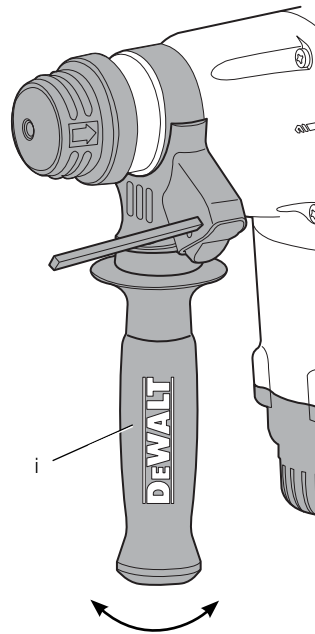


Figure 5

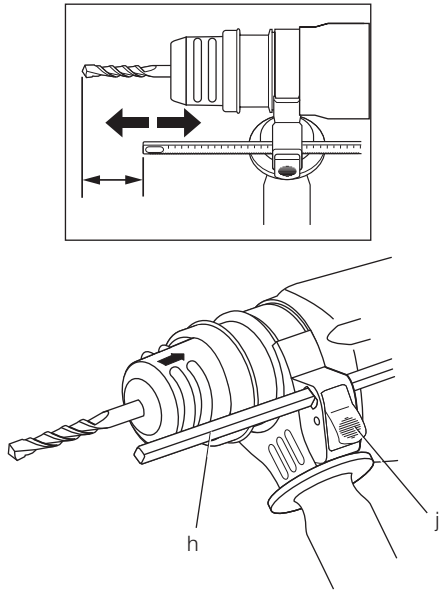
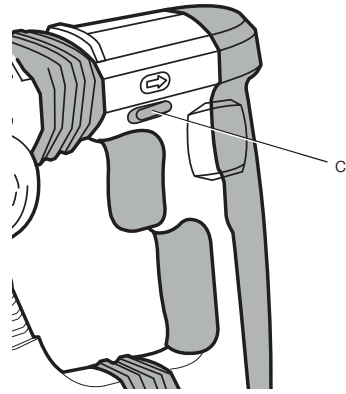


Figure 6



ENGLISH

HEAVY-DUTY ROTARY HAMMERDRILL

D25323

Congratulations!

You have chosen a DEWALT tool. Years of experience, thorough product development and innovation make DEWALT one of the most reliable partners for professional power tool users.

Technical Data

		D25323
Voltage	V	220-240
Power input	W	800
No-load speed	min ⁻¹	0-1,150
Load speed	min ⁻¹	0-830
Impact energy		
Hammerdrilling	J	0-3.1
Chiselling	J	0-3.4
Maximum drilling range in steel/wood/concrete	mm	13/30/26
Chisel positions		51
Core drilling capacity in soft brick	mm	65
Tool holder		SDS Plus®
Collar diameter	mm	54
Weight	kg	3.4
<hr/>		
L _{PA} (sound pressure)	dB(A)	85.4
K _{PA} (sound pressure uncertainty)	dB(A)	3.3
L _{WA} (sound power)	dB(A)	99.4
K _{WA} (sound power uncertainty)	dB(A)	3.3

Vibration total values (triax vector sum) determined according to EN 60745:

Drilling into metal		
Vibration emission value a _{h,D} =	m/s ²	<2.5
Uncertainty K =	m/s ²	1.5
Drilling into concrete		
Vibration emission value a _{h,HD} =	m/s ²	10.5
Uncertainty K =	m/s ²	1.5
Chiselling		
Vibration emission value a _{h,Cheq} =	m/s ²	10.5
Uncertainty K =	m/s ²	3.5
Screwdriving without impact		
Vibration emission value a _{h,} =	m/s ²	<2.5
Uncertainty K =	m/s ²	1.5

The vibration emission level given in this information sheet has been measured in accordance with a standardised test given in EN 60745 and may be used to compare one tool with another. It may be used for a preliminary assessment of exposure.



WARNING: The declared vibration emission level represents the main applications of the tool. However if the tool is used for different applications, with different accessories or poorly maintained, the vibration emission may differ. This may significantly increase the exposure level over the total working period.

An estimation of the level of exposure to vibration should also take into account the times when the tool is switched off or when it is running but not actually doing the job. This may significantly reduce the exposure level over the total working period.

Identify additional safety measures to protect the operator from the effects of vibration such as: maintain the tool and the accessories, keep the hands warm, organisation of work patterns.

Definitions: Safety Guidelines

The definitions below describe the level of severity for each signal word. Please read the manual and pay attention to these symbols.



DANGER: Indicates an imminently hazardous situation which, if not avoided, **will** result in **death or serious injury**.



WARNING: Indicates a potentially hazardous situation which, if not avoided, **could** result in **death or serious injury**.



CAUTION: Indicates a potentially hazardous situation which, if not avoided, **may** result in **minor or moderate injury**.

CAUTION: Used without the safety alert symbol indicates a potentially hazardous situation which, if not avoided, **may** result in **property damage**.



Denotes risk of electric shock.



Denotes risk of fire.



WARNING: To reduce the risk of injury, read the instruction manual.

General Power Tool Safety Warnings



WARNING! Read all safety warnings and instructions Failure to follow the warnings and instructions may result in electric shock, fire and/or serious injury.

SAVE ALL WARNINGS AND INSTRUCTIONS FOR FUTURE REFERENCE

The term "power tool" in the warnings refers to your mains-operated (corded) power tool or battery-operated (cordless) power tool.

1) WORK AREA SAFETY

- Keep work area clean and well lit.** Cluttered or dark areas invite accidents.
- Do not operate power tools in explosive atmospheres, such as in the presence of flammable liquids, gases or dust.** Power tools create sparks which may ignite the dust or fumes.
- Keep children and bystanders away while operating a power tool.** Distractions can cause you to lose control.

2) ELECTRICAL SAFETY

- Power tool plugs must match the outlet. Never modify the plug in any way. Do not use any adapter plugs with earthed (grounded) power tools.** Unmodified plugs and matching outlets will reduce risk of electric shock.
- Avoid body contact with earthed or grounded surfaces such as pipes, radiators, ranges and refrigerators.** There is an increased risk of electric shock if your body is earthed or grounded.
- Do not expose power tools to rain or wet conditions.** Water entering a power tool will increase the risk of electric shock.
- Do not abuse the cord. Never use the cord for carrying, pulling or unplugging the power tool. Keep cord away from heat, oil, sharp edges or moving parts.** Damaged or entangled cords increase the risk of electric shock.
- When operating a power tool outdoors, use an extension cord suitable for outdoor use.** Use of a cord suitable for outdoor use reduces the risk of electric shock.
- If operating a power tool in a damp location is unavoidable, use a residual current device (RCD) protected supply.** Use of an RCD reduces the risk of electric shock.

3) PERSONAL SAFETY

- a) **Stay alert, watch what you are doing and use common sense when operating a power tool. Do not use a power tool while you are tired or under the influence of drugs, alcohol or medication.** A moment of inattention while operating power tools may result in serious personal injury.
- b) **Use personal protective equipment. Always wear eye protection.** Protective equipment such as dust mask, non-skid safety shoes, hard hat, or hearing protection used for appropriate conditions will reduce personal injuries.
- c) **Prevent unintentional starting. Ensure the switch is in the off position before connecting to power source and/or battery pack, picking up or carrying the tool.** Carrying power tools with your finger on the switch or energising power tools that have the switch on invites accidents.
- d) **Remove any adjusting key or wrench before turning the power tool on.** A wrench or a key left attached to a rotating part of the power tool may result in personal injury.
- e) **Do not overreach. Keep proper footing and balance at all times.** This enables better control of the power tool in unexpected situations.
- f) **Dress properly. Do not wear loose clothing or jewellery. Keep your hair, clothing and gloves away from moving parts.** Loose clothes, jewellery or long hair can be caught in moving parts.
- g) **If devices are provided for the connection of dust extraction and collection facilities, ensure these are connected and properly used.** Use of dust collection can reduce dust-related hazards.

4) POWER TOOL USE AND CARE

- a) **Do not force the power tool. Use the correct power tool for your application.** The correct power tool will do the job better and safer at the rate for which it was designed.
- b) **Do not use the power tool if the switch does not turn it on and off.** Any power tool that cannot be controlled with the switch is dangerous and must be repaired.
- c) **Disconnect the plug from the power source and/or the battery pack from the power tool before making any adjustments, changing accessories, or**

storing power tools. Such preventive safety measures reduce the risk of starting the power tool accidentally.

- d) **Store idle power tools out of the reach of children and do not allow persons unfamiliar with the power tool or these instructions to operate the power tool.** Power tools are dangerous in the hands of untrained users.
- e) **Maintain power tools. Check for misalignment or binding of moving parts, breakage of parts and any other condition that may affect the power tool's operation. If damaged, have the power tool repaired before use.** Many accidents are caused by poorly maintained power tools.
- f) **Keep cutting tools sharp and clean.** Properly maintained cutting tools with sharp cutting edges are less likely to bind and are easier to control.
- g) **Use the power tool, accessories and tool bits etc., in accordance with these instructions taking into account the working conditions and the work to be performed.** Use of the power tool for operations different from those intended could result in a hazardous situation.

5) SERVICE

- a) **Have your power tool serviced by a qualified repair person using only identical replacement parts.** This will ensure that the safety of the power tool is maintained.

Additional Specific Safety Rules for Rotary Hammers

- **Wear ear protectors.** Exposure to noise can cause hearing loss.
- **Use auxiliary handles supplied with the tool.** Loss of control can cause personal injury.
- **Hold power tools by insulated gripping surfaces when performing an operation where the cutting tool may contact hidden wiring or its own cord.** Contact with a "live" wire will make exposed metal parts of the tool "live" and shock the operator.
- **Use clamps or other practical way to secure and support the workpiece to a stable platform.** Holding the work by hand or against your body is unstable and may lead to loss of control.
- **Wear safety goggles or other eye protection.** Hammering operations cause chips to fly. Flying particles can cause permanent eye damage.

Wear a dust mask or respirator for applications that generate dust. Ear protection may be required for most applications.

- **Keep a firm grip on the tool at all times. Do not attempt to operate this tool without holding it with both hands.** It is recommended that the side handle be used at all times. Operating this tool with one hand will result in loss of control. Breaking through or encountering hard materials such as re-bar may be hazardous as well. Tighten the side handle securely before use.
- **Do not operate this tool for long periods of time.** Vibration caused by hammer action may be harmful to your hands and arms. Use gloves to provide extra cushion and limit exposure by taking frequent rest periods.
- **Do not recondition bits yourself.** Chisel reconditioning should be done by an authorized specialist. Improperly reconditioned chisels could cause injury.
- **Wear gloves when operating tool or changing bits.** Accessible metal parts on the tool and bits may get extremely hot during operation. Small bits of broken material may damage bare hands.
- **Never lay the tool down until the bit has come to a complete stop.** Moving bits could cause injury.
- **Do not strike jammed bits with a hammer to dislodge them.** Fragments of metal or material chips could dislodge and cause injury.
- **Slightly worn chisels can be resharpened by grinding.**
- **Keep the power cord away from the rotating bit. Do not wrap the cord around any part of your body.** An electric cord wrapped around a spinning bit may cause personal injury and loss of control.

Residual Risks

The following risks are inherent to the use of rotary hammers:

- injuries caused by touching the rotating parts or hot parts of the tool

In spite of the application of the relevant safety regulations and the implementation of safety devices, certain residual risks cannot be avoided. These are:

- Impairment of hearing.
- Risk of squeezing fingers when changing the accessory.
- Health hazards caused by breathing dust developed when working in concrete and/or masonry.

Markings on Tool

The following pictograms are shown on the tool:



Read instruction manual before use.



Wear ear protection.



Wear eye protection.

DATE CODE POSITION (FIG. 1)

The Date Code (n) , which also includes the year of manufacture, is printed into the housing.

Example:

2009 XX XX

Year of Manufacture

Package Contents

The package contains:

- 1 Heavy-duty rotary hammerdrill
- 1 Side handle
- 1 Depth adjustment rod
- 1 Kitbox
- 1 Instruction manual
- 1 Exploded drawing
- Check for damage to the tool, parts or accessories which may have occurred during transport.
- Take the time to thoroughly read and understand this manual prior to operation.

Description (fig. 1)



WARNING: Never modify the power tool or any part of it. Damage or personal injury could result.

- a. Variable speed switch
- b. Active vibration control

ENGLISH

- c. Forward/reverse slider
- d. Mode selector
- e. Safety lock
- f. Tool holder / locking sleeve
- g. Dust cover
- h. Depth adjustment rod
- i. Side handle
- j. Depth stop clamp
- m. main handle

INTENDED USE

Your hammerdrill has been designed for professional hammerdrilling and light chipping, chiselling and demolition applications and for carbide tipped core drilling in concrete, brick and stone. The machine is also suitable for rotary drilling in wood, metal, ceramic and plastic and for screw driving and thread cutting

DO NOT use under wet conditions or in presence of flammable liquids or gases.

These hammerdrills are professional power tools.

DO NOT let children come into contact with the tool. Supervision is required when inexperienced operators use this tool.

ACTIVE VIBRATION CONTROL (FIG. 1)

The active vibration control neutralises rebound vibration from the hammer mechanism. Lowering hand and arm vibration allows for more comfortable use for longer periods of time and extends the life of the unit.

For best vibration control, hold the tool with one hand on the main handle (m) and the other hand on the side handle (i). Apply just enough pressure so the hammer is approximately mid-stroke.

The hammer only needs enough pressure to engage the active vibration control. Applying too much pressure will not make the tool drill or chip faster and active vibration control will not engage.

TORQUE LIMITING CLUTCH

All rotary hammer drills are equipped with a torque limiting clutch that reduces the maximum torque reaction transmitted to the operator in case of jamming of a drill bit. This feature also prevents the gearing and electric motor from stalling. The torque limiting clutch has been factory-set and cannot be adjusted.

Electrical Safety

The electric motor has been designed for one voltage only. Always check that the power supply corresponds to the voltage on the rating plate.



Your DEWALT tool is double insulated in accordance with EN 60745; therefore no earth wire is required.

If the supply cord is damaged, it must be replaced by a specially prepared cord available through the DEWALT service organization.

Using an Extension Cable

An extension cord should not be used unless absolutely necessary. Use an approved extension cable suitable for the power input of your charger (see technical data). The minimum conductor size is 1 mm²; the maximum length is 30 m.

When using a cable reel, always unwind the cable completely.

ASSEMBLY AND ADJUSTMENTS



WARNING: To reduce the risk of injury, turn unit off and disconnect machine from power source before installing and removing accessories, before adjusting or changing set-ups or when making repairs. Be sure the trigger switch is in the OFF position. An accidental start-up can cause injury.

Selecting the Operating Mode (fig. 2)

The tool can be used in the following operating modes:



Rotary drilling: for screwdriving and for drilling into steel, wood and plastics



Hammerdrilling: for concrete and masonry drilling operations.



Hammering only: for light chipping, chiselling and demolition applications. In this mode the tool can also be used as a lever to free a jammed drill bit.



Bit rotation: non-working position used only to rotate a flat chisel into the desired position.

1. To select the operating mode, press the safety lock (e) and rotate the mode selector

(d) until it points to the symbol of the required mode.

2. Release the safety lock and check that the mode selector switch is locked in place.



WARNING: Do not select the operating mode when the tool is running.

Indexing the Chisel Position

The chisel can be indexed and locked into 51 different positions.

1. Rotate the mode selector switch (d) until it points to the bit rotation symbol.
2. Rotate the chisel in the desired position.
3. Set the mode selector switch (d) to the hammering only position.
4. Twist the chisel until it locks in position.

Inserting and Removing SDS Plus® Accessories (fig. 3)

This tool uses SDS Plus® accessories (refer to the inset in figure 3 for a cross-section of an SDS Plus® bit shank). We recommend to use professional accessories only.

1. Clean and grease the bit shank.
2. Insert the bit shank into the tool holder/locking sleeve (f).
3. Push the bit down and turn it slightly until it fits into the slots.
4. Pull on the bit to check if it is properly locked. The hammering function requires the bit to be able to move axially several centimetres when locked in the tool holder.
5. To remove a bit pull back the tool holder/locking sleeve (f) and pull out the bit.



WARNING: Always wear gloves when you change accessories. The exposed metal parts on the tool and accessory may become extremely hot during operation.

Fitting the Side Handle (fig. 4)

The side handle (i) can be fitted to suit both RH- and LH-users.



WARNING: Do not use the tool without the side handle properly assembled.

1. Loosen the side handle.
2. **For RH-users:** slide the side handle clamp over the collar behind the tool holder, handle at the left.

For LH-users: slide the side handle clamp over the collar behind the tool holder, handle at the right.

3. Rotate the side handle to the desired position and tighten the handle.

Setting the Drilling Depth (fig. 5)

1. Insert the required drill bit as described above.
2. Press the depth stop clamp (j) and keep it depressed.
3. Fit the depth adjustment rod (h) through the hole in the depth stop clamp.
4. Adjust the drilling depth as shown.
5. Release the depth stop clamp.

Forward/reverse Slider (fig. 6)

1. Push the forward/reverse slider (c) to the LH-side for forward (RH) rotation. See arrows on tool.
2. Push the forward/reverse slider (c) to the RH-side for reverse (LH) rotation.



WARNING: Always wait until the motor has come to a complete standstill before changing the direction of rotation.

Fitting a Chuck Adapter and Chuck (Sold Separately)

1. Screw a chuck onto the threaded end of the chuck adapter.
2. Insert the connected chuck and adapter in the tool as though it were a standard SDS Plus® bit.
3. To remove the chuck, proceed as for removing a standard SDS Plus® bit.



WARNING: Never use standard chucks in the hammer drilling mode.

Consult your dealer for further information on the appropriate accessories.

Replacing the Dust Cover (fig. 3)

The dust cover (g) prevents dust ingress into the mechanism. Replace a worn dust cover immediately.

1. Pull back the tool holder locking sleeve (f) and pull the dust cover (g) off.
2. Fit the new dust cover.
3. Release the tool holder locking sleeve.

OPERATION

Instructions for Use



WARNING:

- Always observe the safety instructions and applicable regulations.
- Be aware of the location of pipework and wiring.
- Apply only a gentle pressure to the tool (approx. 5 kg). Excessive force does not speed up drilling but decreases tool performance and may shorten tool life.
- Do not drill or drive too deep to prevent damage to the dust cover.
- Always hold the tool firmly with both hands and ensure a secure stance. Always operate the tool with the side handle properly mounted.

Proper Hand Position



WARNING: To reduce the risk of serious personal injury, **ALWAYS** hold securely in anticipation of a sudden reaction.

Proper hand position requires one hand on the side handle (i), with the other hand on the main handle (m).

Overload Clutch

If the drill bit becomes jammed or caught, the drive to the drill spindle is interrupted by the overload clutch. Because of the forces that occur as a result, always hold the machine securely with both hands and take a firm stance.

Switching On and Off (fig. 1)

1. To run the tool, press the variable speed switch (a). The pressure exerted on the variable speed switch determines the tool speed.
2. To stop the tool, release the switch.
3. To lock the tool in off position, move the forward/reverse slider (c) to the central position.

Hammerdrilling (fig. 1)

DRILLING WITH A SOLID BIT

1. Set the mode selector switch (d) to the hammerdrilling position.
2. Insert the appropriate drill bit.

NOTE: For best results use high quality carbide-tipped bits.
3. Adjust the side handle (i) as required.
4. If necessary, set the drilling depth.
5. Mark the spot where the hole is to be drilled.
6. Place the drill bit on the spot and switch on the tool.
7. Always switch off the tool when work is finished and before unplugging.

Drilling with a Core Bit

1. Set the mode selector (d) to the hammerdrilling position.
2. Adjust the side handle (i) as required.
3. Insert the appropriate core bit.
4. Assemble the centerdrill into the core bit.
5. Place the centerdrill on the spot and press the variable speed switch (a). Drill until the core penetrates into the concrete approx. 1 cm.
6. Stop drilling and remove the centerdrill. Place the core bit back into the hole and continue drilling.
7. When drilling through a structure thicker than the depth of the core bit, break away the round cylinder of concrete or core inside the bit at regular intervals. To avoid unwanted breaking away of concrete around the hole, first drill a hole the diameter of the center drill completely through the structure. Then drill the cored hole halfway from each side.
8. Always switch off the tool when work is finished and before unplugging.

Rotary Drilling (fig. 1)

1. Set the mode selector switch (d) to the rotary drilling position.
2. Fit the chuck adapter/chuck assembly.
3. Proceed as described for hammerdrilling.



WARNING: Never use standard chucks in the hammer drilling mode.

Screwdriving (fig. 1)

1. Set the mode selector switch (d) to the rotary drilling position.
2. Select the direction of rotation.
3. Insert the special SDS Plus® screwdriving adaptor for use with hexagonal screwdriver bits.
4. Insert the appropriate screwdriver bit. When driving slotted head screws always use bits with a finder sleeve.
5. Gently press the variable speed switch (a) to prevent damage to the screw head. In reverse (LH) rotation the tool speed is automatically reduced for easy screw removal.
6. When the screw is flush with the workpiece, release the variable speed switch to prevent the screw head from penetrating into the workpiece.

Chipping and Chiselling (fig. 1)

1. Set the mode selector switch (d) to the hammering only position.
2. Insert the appropriate chisel and rotate it by hand to lock it into one of 51 positions.
3. Adjust the side handle (i) as required.
4. Switch on the tool and start working.
5. Always switch off the tool when work is finished and before unplugging.



WARNING:

- Do not use this tool to mix or pump easily combustible or explosive fluids (benzine, alcohol, etc.).
- Do not mix or stir inflammable liquids labelled accordingly.

MAINTENANCE

Your DEWALT power tool has been designed to operate over a long period of time with a minimum of maintenance. Continuous satisfactory operation depends upon proper tool care and regular cleaning.



WARNING: To reduce the risk of injury, turn unit off and disconnect machine from power source before installing and removing accessories, before adjusting or changing set-ups or when making repairs. Be sure the trigger switch is in the OFF position. An accidental start-up can cause injury.

- This machine is not user-serviceable. Take the tool to an authorised DEWALT repair agent after approximately 40 hours of use. If problems occur before this time contact an authorised DEWALT repair agent.
- The tool will automatically switch off when the carbon brushes are worn.

Motor Brushes

DEWALT uses an advanced brush system which automatically stops the drill when the brushes wear out. This prevents serious damage to the motor. New brush assemblies are available at authorised DEWALT service centers. Always use identical replacement parts.



Lubrication

Your power tool requires no additional lubrication. Accessories and attachments used must be regularly lubricated around the SDS Plus® fitment.



Cleaning



WARNING: Blow dirt and dust out of the main housing with dry air as often as dirt is seen collecting in and around the air vents. Wear approved eye protection and approved dust mask when performing this procedure.



WARNING: Never use solvents or other harsh chemicals for cleaning the non-metallic parts of the tool. These chemicals may weaken the materials used in these parts. Use a cloth dampened only with water and mild soap. Never let any liquid get inside the tool; never immerse any part of the tool into a liquid.

Optional Accessories



WARNING: Since accessories, other than those offered by DEWALT, have not been tested with this product, use of such accessories with this tool could be hazardous. To reduce the risk of injury, only DEWALT, recommended accessories should be used with this product.

ENGLISH

Various types of SDS Plus® drill bits and chisels are available as an option.

Consult your dealer for further information on the appropriate accessories.

Protecting the Environment



Separate collection. This product must not be disposed of with normal household waste.

Should you find one day that your DEWALT product needs replacement, or if it is of no further use to you, do not dispose of it with household waste. Make this product available for separate collection.



Separate collection of used products and packaging allows materials to be recycled and used again. Re-use of recycled materials helps prevent environmental pollution and reduces the demand for raw materials.

Local regulations may provide for separate collection of electrical products from the household, at municipal waste sites or by the retailer when you purchase a new product.

DEWALT provides a facility for the collection and recycling of DEWALT products once they have reached the end of their working life. To take advantage of this service please return your product to any authorised repair agent who will collect them on our behalf.

You can check the location of your nearest authorised repair agent by contacting your local DEWALT office at the address indicated in this manual. Alternatively, a list of authorised DEWALT repair agents and full details of our after-sales service and contacts are available on the Internet at: **www.2helpU.com**.

重载旋转锤钻

D25323

祝贺您!

您已选择了得伟工具。凭借多年的经验和在产品开发与创新方面的不断努力，得伟已经成为专业电动工具用户的最可靠伙伴之一。

技术数据

		D25323
电压	伏	220
功率输入	瓦	800
空载速度	转/分	0-1,150
负载速度	转/分	0-830
冲击能量		
锤钻	J	0-3.1
凿切	J	0-3.4
最大钻孔 (钢材/木材/混凝土)	毫米	13/30/26
凿子位置		51
软砖石中的空心钻孔能力	毫米	65
夹头类型		SDS Plus®
轴环直径	毫米	54
重量	千克	3.4
L _{PA} (声压)	dB(A)	85.4
K _{PA} (声压不确定)	dB(A)	3.3
L _{WA} (声音功率)	dB(A)	99.4
K _{WA} (声音功率不确定)	dB(A)	3.3
总振动值(三轴矢量和)根据EN 60745决定:		
在金属材料上钻孔		
振动发射值 a _{h,D} =	m/s ²	< 2.5
不确定性 K =	m/s ²	1.5
在混凝土材料上钻孔		
振动发射值 a _{h,HD} =	m/s ²	10.5
不确定性 K =	m/s ²	1.5
凿切		
振动发射值 a _{h,Cheq} =	m/s ²	10.5
不确定性 K =	m/s ²	3.5
不采用冲击的拧螺丝		
振动发射值 a _{h,} =	m/s ²	< 2.5
不确定性 K =	m/s ²	1.5

上述表格中的振动辐值是根据EN60745标准中的标准测试方法进行测量的,可用于两种型号工具的对比。该值可以用来初步评价工具的振动危害。



警告: 本手册提供的振动幅值只反映工具在主要应用场合的振动程度,如果该工具被用于其他用途、配置不同的附件或维护不当,其振动辐值可能不同。这些情况可能会在工具整个使用期间逐渐显露。

在评估振动时还应考虑工具停机及空载运行时间,这种情况可能会显著降低工具在整个使用期间的振动。

另外制定安全措施,保护操作者免受振动的影响,例如:维护工具及其附件、手部保暖、合理安排作业时间。

定义: 安全准则

下列定义描述了各警示标志的严重程度。请仔细阅读本手册并注意这些标志。



危险: 表示紧急的危险情形,如不可避免,将导致**死亡或严重伤害**。



警告: 表示潜在的危险情形,如不可避免,可能导致**死亡或严重伤害**。



注意: 表示潜在的危险情形,如不可避免,可能导致**轻度或中度伤害**。

注意: 不带安全警示标志,表示潜在的危险情形,如不可避免,可能导致**财产损失**。



表示电击的危险。



表示火灾的危险。

EC的一致性声明 D25012和D25013

得伟声明本产品的“技术参数”符合如下规范:
98/37/EEC (有效期至2009年12月28日),
2006/42/EC (从2009年12月29日实施),
2004/108/EC, EN 55014-1, EN 55014-2, EN 61000-3-2, EN 61000-3-3, EN 60745-1, EN 60745-2-6。

更多的信息请根据下面的地址联系得伟或参考本手册以下内容。下面的签名者对本手册提供的技术参数负责且代表得伟进行相关声明。

Horst Grossmann
工程和产品开发副总裁
DEWALT, Richard-Klinger-Straße 11,
D-65510, Idstein, Germany
05.05.2009



警告: 为了降低伤害风险,请阅读本手册说明。

一般安全规则



警告! 请阅读所有的安全警告和说明。不遵循其警告和说明使用工具可能导致触电、火灾和/或严重伤害事故的发生。

请保存所有的警告和说明以备参考

本警告中的术语“电动工具”指使用电网电源供电的(有绳)电动工具或充电式(无绳)电动工具。

1) 工作场地

- 保持工作场地清洁和明亮。**混乱和黑暗的场地会引发事故。
- 请勿在易爆环境,如有易燃液体、气体或粉尘的环境下操作电动工具。**电动工具产生的火花会点燃粉尘或气体。
- 操作电动工具时请远离儿童和旁观者。**注意力不集中会导致工具失控。

2) 电气安全

- 电动工具插头必须与插座相配。请勿以任何方式改装插头。**需接地的电动工具不能使用任何转换插头。原装的插头和相配的插座将减少触电危险。
- 避免人体接触接地表面,如管道、散热片和冰箱。**身体接地会增加触电危险。
- 请勿将电动工具暴露在雨中或潮湿环境中。**电动工具接触水将增加触电危险。
- 请勿滥用电源线。绝不能用电源线搬运、拉动电动工具或拔出其插头。让电源线远离热、油、锐边或运动部件。**受损或缠绕的电源线会增加触电危险。

- e) **当在户外使用电动工具时，请使用适合户外使用的延长电线。**适合户外使用的电线将减少触电危险。
- f) 如果在潮湿的环境中使用电动工具，请使用漏电保护装置(RCD)，使用此装置可降低触电危险。

3) 人身安全

- a) **保持警觉，当操作电动工具时关注所从事的操作并保持清醒。**切勿在有疲倦、药物、酒精或治疗反应下操作电动工具。在操作电动工具期间精力分散会导致严重人身伤害。
- b) **使用安全装置,始终配戴护目镜。**在适当条件下使用防尘面具、防滑安全鞋、安全帽、听力防护等装置能减少人身伤害。
- c) **避免意外起动。确保工具在接入电源/电池、携带时开关处于关闭状态。**手指放在已接通电源的开关上或开关处于接通时插入电源可能会导致危险。
- d) **在电动工具起动之前，取掉所有调节钥匙或扳手。**遗留在电动工具旋转零件上的扳手或钥匙会导致人身伤害。
- e) **不要超越操作距离。**时刻注意身体平衡，这样在意外情况下能更好地控制电动工具。
- f) **合理着装，操作工具时不要穿宽松衣服或佩带饰品。**让你的头发、衣服和袖子远离运动部件。宽松服装、佩饰或长发可能会卷入运动部件。
- g) **如果电动工具提供了与排屑装置、集尘设备连接用的装置，则确保他们连接完好且使用得当。**使用这些装置可减少碎屑引起的危险。

4) 电动工具使用和注意事项

- a) **不要滥用电动工具，根据用途选用适当的电动工具。**合适的电动工具能在其额定的参数下更好更安全的完成作业。
- b) **如果开关不能接通或关闭工具电源，则不能使用该电动工具。**不能用开关来控制的电动工具是危险的且必须进行修理。

- c) **在进行任何调节、更换附件或存放电动工具之前，必须从电源上拔掉插头和/或将电池盒脱开。**这种防护性措施将减少电动工具意外起动的危险。
- d) **将闲置电动工具贮存在儿童所及范围之外，并且不要让不熟悉电动工具或对这些说明不了解的人操作电动工具。**电动工具在未经培训的用户手中是危险的。
- e) **对电动工具进行维护。检查运动部件的安装偏差、零件破损情况和影响电动工具运行的其它条件。**如有损坏，电动工具必须在使用前修理好。许多事故是由于维护不良而引发。
- f) **保持刀具有良好锋利的切削刃，**这样工具不易卡死且易控制。
- g) **按照作业条件和工况情况，同时参照本说明书合理使用工具，附件及刀具。**电动工具用作那些与要求不符的操作可能会导致危险情况。

5) 维修

- a) **电动工具的维修必须由专业维修人员完成，且只能更换使相同规格的部件。**这样能确保所维修的电动工具的安全性。

电锤附加安全规则

- **请佩戴听力保护装置。**噪音可能导致耳聋。
- **使用与此工具一起提供的辅助手柄。**工具失控可能造成人员伤害。
- **在工具可能触及隐藏的电线或本工具的电源线的操作情况下，须握持本工具的绝缘手柄进行操作。**接触带电体会使工具外露金属件带电且造成操作人员电击。
- **使用夹具或其他可行的方法支撑并固定工件。**用手握持或用身体支撑工件是不稳定的，这可能导致工件的失控。

- **佩戴安全护目镜或其他眼睛保护装置。** 锤击操作将造成切屑飞出。飞出的粒子可能造成眼睛的永久性损伤。在粉尘操作环境下需佩戴防尘口罩或呼吸器，同时大部分情况下要佩戴听力保护装置。
- **要始终抓紧工具。** 请勿在双手没有抓紧工具时操作。建议一直使用辅助手柄。单手操作此工具将导致失控。钻通或遇到硬材料比如棒材也可能是危险的。工具在使用前要紧固辅助手柄。
- **不要长时间操作此工具。** 锤击的振动可能对您手或手臂造成伤害。要戴上手套以减缓对手部的冲击，同时增加休息频次以降低伤害风险。
- **不要自己修理扁凿。** 扁凿的修理要由专业人员完成。不正确地修理扁凿可能造成伤害。
- **操作此工具或更换钻头时须戴上手套。** 操作期间工具上的可触及金属部件和钻头的温度可能会很高。同时细小的碎块可能会伤害到您裸露的双手。
- **在钻头完全停下之前不要放下此工具。** 运转的钻头可能造成伤害事故。
- **更换钻头时不要使用锤子敲击。** 因为敲出的金属碎片或材料切屑会造成伤害。
- **轻微磨损的扁凿可以通过研磨使其重新锋利。**
- **电源线要远离运转的钻头。** 不要让电线缠绕您身体的任何部位。电线缠绕到旋转的钻头上可能导致人员伤害和失控。

其他风险

以下是使用电锤的风险：

- **接触工具的旋转部件或发热部件所造成的伤害。** 尽管您采取了相关的安全措施和应用了相应的安全装置，但还是不能避免一些其他的风险。它们为：
- 热伤害。
- 听力损伤
- 更换附件时挤伤手指的危险。
- 进行混凝土和/或砖石的作业时由于吸入粉尘导致的健康危害。

工具上的标识

本工具有下列图形：



使用前阅读使用手册。



请佩戴听力保护器。



请佩戴护目装置。

日期码的位置 (图1)

日期码(n)，也包含制造年份并印在工具外壳上。

例如：

2009 XX XX
制造年份

包装内容

本包装含有：

- 1 把重载旋转锤钻
- 1 个侧手柄
- 1 个深度调整杆
- 1 个工具箱
- 1 本使用手册
- 1 份零配件图

- 检查工具、部件或配件是否在运输过程中损坏。
- 使用前，请抽空彻底阅读并掌握本手册内容。

说明 (图1)



警告：切勿修改本电动工具或其任何部件。否则，可能造成人身伤害或工具损坏。

- a. 变速开关
- b. 减振控制

- c. 正/反转按钮
- d. 模式选择器
- e. 安全锁
- f. 工具固定器/锁定套管
- g. 防尘盖
- h. 深度调整杆
- i. 侧手柄
- j. 限深器夹
- m. 主手柄

预期用途

您的锤钻设计用于专业锤钻孔和轻型切削、凿切和破坏应用范围，以及对混凝土、砖石和石头进行硬质合金空心钻孔。该机器也适用于在木材、金属、陶瓷和塑料上钻孔，以及用于拧螺丝和开凿螺纹。

不得在潮湿或存在易燃液体、气体的环境中使用本工具。

这些锤钻是专业型电动工具。

不得让儿童接触本工具。无使用经验的人必须在监督下使用。

减振控制 (图1)

减振控制可中和来自锤钻的回弹振动。降低手部和手臂振动，允许更舒适地在更长的时间内使用本工具，并延长工具的使用寿命。

为了获得最佳的振动控制，请用一只手握住工具的主手柄(m)，用另一只手握住侧手柄(i)。施加刚好足够的压力使电锤达到大约的中等敲击力度。

电锤只需要足够的压力即可接合减振控制。施加太多压力不会使工具更快钻孔或切削。

扭矩限制离合器

所有的旋转锤钻都配备扭矩限制离合器，可在发生钻头卡住的情形下，降低传输到操作人员的扭矩反应。此功能也可防止传动装置和电动马达停止。扭矩限制离合器在工厂设置且不可调整。

电气安全性

电动马达仅设计为一种电压。请务必检查电源电压是否与铭牌一致。



您的得伟工具依据EN60745进行双重绝缘，因此无须接地线。

如果电源线损坏，必须采用得伟维修机构提供的专用线。

延长线的使用

除非绝对必要，否则请勿使用延长线。请使用与充电器功率输入（见技术数据）匹配的、经过认证的延长线；最小导体尺寸为1mm²，最大长度为30米。

使用电缆卷筒时，请始终保持电缆完全展开。

组装与调整



警告：为降低人身伤害的风险，在拆、装配件或调整、修理工具之前，请关闭工具并拔下工具插头。请确保触发开关处于断电位置。意外启动容易造成人身伤害。

选择操作模式 (图2)

本工具可在下列操作模式中使用：



旋转钻探：用于拧螺丝和在钢材、木材和塑料上钻孔。



锤钻：用于混凝土和砖块等钻探操作。



仅锤打：用于轻型切削、凿切和破坏应用范围。在此模式中，本工具仅作为控制杆用于松开卡住的钻头。



钻头旋转：非工作位置，仅用于将平头凿子旋转到所需位置。

1. 要选择操作模式，请按下安全锁(e)然后旋转模式选择器开关(d)直到它指向所需模式的符号。
2. 松开安全锁并检查模式选择器是否锁定到位。



警告：切勿在工具运转时选择操作模式。

标记凿子位置

可标记凿子并将它锁定在51个不同的位置中。

1. 旋转模式选择器(d)直到它指向钻头旋转符号。
2. 将凿子旋转入所需位置。
3. 将模式选择器开关(d)设置到仅锤打位置。
4. 转动凿子直到它锁入定位。

插入和卸下SDS Plus® 配件 (图3)

本工具使用SDS Plus®配件 (请参阅插页中的图3获取SDS Plus®钻头杆的横截面图)。我们建议您仅使用专业配件。

1. 清洁和用油润滑钻头杆。
2. 将钻头杆插入工具固定器/锁定套管(f)。
3. 将钻头向下推并稍微转动直到它卡入插槽内。
4. 拉动钻头以检查它是否正确锁定。锤打功能需要钻头在锁定到工具固定器中时可以轴向移动数厘米。
5. 要卸下钻头，请向后拉工具固定器/锁定套管(f)然后将钻头拉出。



警告：更换配件时请务必佩戴手套。工具和配件上的裸露金属部分可能会在操作过程中变得非常热。

安装侧手柄 (图4)

可将侧手柄(i)安装为适合右手和左手用户。



警告：切勿使用未正确组装侧手柄的工具。

1. 松开侧手柄。
2. **对于右手用户：**将侧手柄夹滑到位于工具固定器后面的轴环上，把手在左边。
对于左手用户：将侧手柄夹滑到位于工具固

定器后面的轴环上，把手在右边。

3. 将侧手柄转入所需位置并紧固手柄。

设置钻孔深度 (图5)

1. 按照上述说明插入所需的钻头。
2. 按下并按住限深器夹(j)。
3. 将深度调整杆(h)穿入限深器夹的孔。
4. 如图所示，调整钻孔深度。
5. 松开限深器夹。

正/反转按钮 (图6)

1. 要向前(RH)旋转，请将正/反转按钮(c)拨到左边。请参见工具上的箭头。
2. 要向后(LH)旋转，请将正/反转按钮(c)拨到右边。



警告：更换旋转方向之前，请务必等到马达完全停止。

安装夹头适配器和夹头 (个别售卖)

1. 将夹头拧入夹头适配器的螺纹端。
2. 将连接的夹头和适配器，以标准SDS Plus®钻头的方式插入工具。
3. 要卸下夹头，以卸下标准SDS Plus®钻头的方式进行。



警告：切勿在锤钻模式中使用标准夹头。

请向零售商咨询合适配件的更多信息。

更换防尘盖 (图3)

防尘盖(g)可防止尘埃侵入机械装置。若防尘盖磨损，请立即更换。

1. 向后拉工具固定器锁定套管(f)然后将防尘盖(g)拉出。
2. 安装新的防尘盖。
3. 松开工具固定器锁定套管。

操作 使用说明



警告：

- 请始终遵守安全守则以及适用规则的要求。
- 注意水管和电线的布线位置。
- 仅对工具施加温和压力（约5千克）。过度用力不会加快钻孔，而且会降低工具性能并可能缩短工具使用寿命。
- 请勿钻入或拧入太深以防止损坏防尘盖。
- 始终用双手稳固握住工具并确保采用安全姿势。务必在正确安装侧手柄后才操作工具。

正确的手部位置



警告：为降低严重人身伤害风险，请在预期的突然反作用中始终安全握紧工件。

正确的手部位置要求将一只手放在侧手柄(i)上，而另一只手放在主手柄(m)上。

超载离合器

如果钻头被卡住或钩住，超载离合器便会中断电钻心轴的发动。由于该操作会产生力量，因此，请始终用双手稳固握住机器并采用稳固姿势。

打开和关闭（图1）

1. 要运行工具，请按下变速开关(a)。在变速开关上施加的压力将决定工具的速度。
2. 要停止工具，请松开开关。
3. 要将工具锁定在关闭位置，可将正/反转按钮(c)拨到中间位置。

锤钻（图1） 使用坚固钻头钻孔

1. 将模式选择器开关(d)设置到锤钻位置。
2. 插入适当的钻头。
注意：为了获得最佳效果，请使用高质量硬质合金钻头。
3. 根据需要调整侧手柄(i)。
4. 如有必要，可设置钻孔深度。
5. 标记要钻孔的位置。
6. 将钻头放在该位置上然后打开工具电源。
7. 在工作完毕、拔下工具插头之前，请务必关闭工具开关。

使用空心钻头钻孔

1. 将模式选择器开关(d)设置到锤钻位置。
2. 根据需要调整侧手柄(i)。
3. 插入适当的空心钻头。
4. 将中心钻组装到空心钻头中。
5. 将中心钻放到该位置上，然后按下变速开关(a)。钻入直到空心钻头刺入混凝土约1厘米。
6. 停止钻孔并卸下中心钻。将空心钻头放回洞孔然后继续钻孔。
7. 钻穿厚度超过空心钻头厚度的结构时，以固定间隔断开混凝土的圆柱体或钻头内的核心。为了避免洞孔周围不必要的混凝土断裂，请先完全穿过结构钻探一个具有中心钻直径的洞孔。然后在每边钻探一半的核心洞孔。
8. 在工作完毕、拔下工具插头之前，请务必关闭工具开关。

旋转钻孔（图1）

1. 将模式选择器开关(d)设置到旋转钻孔位置。
2. 安装夹头适配器/夹头组件。
3. 安装锤钻操作所描述的步骤进行。



警告：切勿在锤钻模式中使用标准夹头。

拧螺丝 (图1)

1. 将模式选择器开关(d)设置到旋转钻孔位置。
2. 选择旋转方向。
3. 插入特殊的SDS Plus®拧螺丝适配器, 以便和六角螺丝起子钻头配合使用。
4. 插入适当的螺丝起子钻头。拧入带槽螺栓时, 请始终使用带探测器管的钻头。
5. 轻轻按下变速开关(a)以防止螺丝头损坏。在向后(LH)旋转中, 工具速度将会自动降低以轻松卸下螺丝。
6. 当螺丝与工件齐平时, 请松开变速开关以防止螺丝头穿入工件。

切削与凿切 (图1)

1. 将模式选择器开关(d)设置到仅锤打位置。
2. 插入适当的凿子然后用手旋转直到将它锁定到51个位置之一。
3. 根据需要调整侧手柄(i)。
4. 打开工具电源并开始工作。
5. 在工作完毕、拔下工具插头之前, 请务必关闭工具开关。



警告:

- 请勿使用此工具来混合或抽取易燃或爆炸性液体 (汽油、酒精等)。
- 请勿混合或搅动标记为易燃的液体。

保养

您的得伟电动工具设计精良, 可以长期使用, 仅需极少维护。要连续获得令人满意的工作效果, 需要您进行正确的保养和定期的清洁。



警告: 为降低人身伤害的风险, 在拆、装配件或调整、修理工具之前, 请关闭工具并拔下工具插头。请确保触发开关处于断电位置。意外启动容易造成人身伤害。

- 本机器不是用户可检修的器具。使用约40小时后, 请将工具送往授权的得伟维修代理进行保养。如果在这之前出现问题, 请联系授权的得伟维修代理。
- 工具会在碳刷磨损时自动关闭。

马达电刷

得伟采用先进的电刷系统, 当电刷磨损时, 能够自动关闭工具。这可以防止严重损坏马达。在得伟授权的维修中心, 可以提供新电刷组件。请务必使用相同的备件。



润滑

本电动工具无须另行润滑。

若使用配件和附件, 则必须定期润滑SDS Plus®设备周围。



清洁



警告: 一旦通风口及其周围积聚可见的粉尘, 请即用干燥的压缩空气吹走主机外壳内的粉尘和灰尘。进行这一步骤时, 请佩戴经认可的护目装备和认可的面罩。



警告: 切勿使用溶剂或其它刺激性化学品来清洁工具的非金属部件。这些化学品可能削弱零件中使用的材料。只能使用抹布蘸中性肥皂水进行清洁。勿使任何液体进入工具; 勿使工具的任何部分浸入液体中。

配件的选择



警告: 由于非得伟配件未经本产品匹配测试, 本工具若使用此类配件, 将存在隐患。为降低人身伤害风险, 本产品仅可使用得伟推荐的配件。

备有各种类型的SDS Plus®钻头和凿子选件供选择。

请向零售商咨询合适配件的更多信息。

保护环境



个别收集。本产品必须与一般家庭废物分开处理。

如果您发现您的得伟产品需要进行替换，或您已经不再需要使用这些产品，请不要将它们与家庭废物一起处理。务必将本产品送往个别收集处。



个别收集用过的产品和包装允许材料再循环利用。重新使用循环利用的材料有助于防止环境污染，并减少原始材料的需求。

地方法规可能会提供在市立废物站或让您购买新产品的零售商个别收集家庭电气产品的服务。

得伟提供收集和循环利用达到使用寿命结束的得伟产品的设施。若要利用此服务，请将您的产品送还任何授权维修代理，它们将会代表我们收集这些产品。

您可以联系本手册列出的您当地的得伟办事处地址，查询最靠近您的授权维修代理地点。您也可以通过下列网站获取授权的得伟维修代理名单以及我们的售后服务和联系详情：www.2helpU.com。

制造商：百得德国有限公司

地址：德国

产地：捷克

한국어

고성능 로타리 햄머드릴 D25323

축하합니다!

DEWALT 공구를 선택해 주셔서 감사합니다. DEWALT는 오랜 경험과 제품 개발 및 혁신을 통해 전문 전동 공구 사용자들이 인정하는 기업으로 자리잡아 왔습니다.

기술 데이터

		D25323
전압	V	220
전원 입력	W	800
무부하 속도	min ⁻¹	0-1,150
부하 속도	min ⁻¹	0-830
충격 에너지		
햄머드릴	J	0-3.1
치즐링	J	0-3.4
강철/나무/콘크리트에서		
최대 드릴 범위	mm	13/30/26
치즐 위치		51
연벽물에서의 코어 드릴 용량	mm	65
공구 홀더		SDS Plus®
칼라 직경	mm	54
중량	kg	3.4
L _{PA} (음압)	dB(A)	85.4
K _{PA} (음압 불확실성)	dB(A)	3.3
L _{WA} (음력)	dB(A)	99.4
K _{WA} (음력 불확실성)	dB(A)	3.3
진동 총 값 (triax 벡터 합계)이 EN 60745에 따라 결정되었음:		
금속에서의 드릴		
진동 방출 값 a _{n,D} =	m/s ²	<2.5
불확실성 K =	m/s ²	1.5
콘크리트에서의 드릴		
진동 방출 값 a _{n,HD} =	m/s ²	10.5
불확실성 K =	m/s ²	1.5
치즐링		
진동 방출 값 a _{n,Cheq} =	m/s ²	10.5
불확실성 K =	m/s ²	3.5
충격 없이 나사 조이기		
진동 방출 값 a _{n,} =	m/s ²	<2.5
불확실성 K =	m/s ²	1.5

이 정보지에 제공된 진동 방출 레벨은 EN 60745에서 표준화한 테스트에 따라 측정된 것이며 한 공구를 다른 공구와 비교하는 데 사용할 수 있습니다. 노출에 대한 예비 평가를 위해서도 사용할 수 있습니다.



경고: 표기한 진동 방출 레벨은 공구의 주요 용도를 나타냅니다. 그러나 공구를 다른 액세서리와 함께 다른 용도에 사용하거나 부실하게 관리되는 경우 진동 방출이 달라 질 수 있습니다. 이로 인해 총 작업 기간에 걸쳐 노출 레벨을 상당히 증가시킬 수 있습니다.

또한 진동에 대한 노출 레벨 추정 시 공구 전원이 꺼졌을 때 또는 작동되고 있으나 실제로 작업을 하지 않은 시간을 고려해야 합니다. 이것은 총 작업 기간에 걸쳐 노출 레벨을 대폭 감소시킬 수 있습니다.

추가적인 안전 조치를 확인하여 작업자가 공구 및 액세서리 유지관리, 인부를 따뜻하게 유지, 작업 패턴의 구성 등의 진동 영향을 받지 않도록 보호합니다.

정의: 안전 지침

다음 정의는 각 경고 문구의 심각도를 설명합니다. 사용 설명서를 읽고 다음과 같은 기호들에 유의하십시오.



위험: 절박한 위험 상태를 나타내며, 방지하지 않으면 **사망 또는 심각한 부상을** 초래합니다.



경고: 잠재적으로 위험한 상태를 나타내며, 방지하지 않으면 **사망 또는 심각한 부상을** 초래할 수도 있습니다.



주의: 잠재적으로 위험한 상태를 나타내며, 방지하지 않으면 경미하거나 **가벼운 부상을** 초래할 수 있습니다.

주의: 안전 경고 기호 없이 사용될 경우 잠재적으로 위험한 상태를 나타내며, 방지하지 않으면 **재산상의 손해가 발생할 수 있습니다.**



감전 위험을 나타냅니다.



화재 위험을 나타냅니다.



경고: 부상 위험을 줄이려면 사용 설명서를 숙지하십시오.

전동 공구에 관한 일반 안전 경고



경고! 안전에 관한 모든 경고 및 지시 사항을 숙지하십시오. 아래 설명한 모든 지시 사항을 따르지 않으면 감전, 화재 및/또는 심각한 부상을 초래할 수 있습니다.

향후 참고할 수 있도록 모든 경고 및 지시 사항을 보관해두십시오

경고에서 사용된 “전동 공구” 라는 말은 주 공급 전원에 의해 전기 공급되는(코드 있음) 전동 공구 또는 충전식(코드 없음) 전동 공구를 의미합니다.

1) 작업 영역 안전

- a) **작업 영역을 청결하고 밝게 유지하십시오.** 혼잡하거나 어두운 작업 영역에서는 사고가 발생하기 쉽습니다.
- b) **가연성 액체, 가스 또는 먼지 등 폭발성 분위기에서 전동 공구를 사용하지 마십시오.** 전동 공구에 먼지나 연기를 발화시킬 수 있는 불꽃이 될 수 있습니다.
- c) **전공 공구를 사용하는 동안에는 어린이와 주변 사람들이 작업 영역에 가까이 들어오지 못하도록 하십시오.** 주변이 산만해져 통제력을 잃을 수 있습니다.

2) 전기 안전

- a) 전동 공구의 플러그는 콘센트와 형식이 일치해야 합니다. **플러그를 어떤 방식으로든 절대 개조하지 마십시오. 접지된(지면 접지) 전동 공구와 함께 어댑터 플러그도 사용하지 마십시오.** 개조되지 않은 플러그 및 형식이 일치하는 콘센트를 사용하면 감전 위험이 줄어듭니다.
- b) **파이프, 라디에이터, 렌지 및 냉장고 등과 같이 접지된 표면에 몸이 닿지 않도록 하십시오.** 신체가 접지되어 있으면 감전 위험이 높아집니다.
- c) **전동 공구를 비 또는 습한 환경에 노출하지 않도록 주의하십시오.** 전동 공구에 물이 들어가면 감전 위험이 높아집니다.
- d) **코드를 함부로 다루지 마십시오. 코드를 사용하여 전동 공구를 운반하거나 잡아당기거나 플러그를 빼지 마십시오. 열, 오일, 날카로운 모서리 또는 움직이는 부품에서 멀리 떨어진 장소에 코드를 보관하십시오.** 코드가 손상되거나 뒤얽혀 있으면 감전 위험이 높아집니다.
- e) **전동 공구를 실외에서 사용할 때는 실외 사용에 적합한 연장 코드를 사용하십시오.** 실외 사용에 적합한 코드를 사용하면 감전 위험이 줄어듭니다.
- f) **어쩔 수 없이 습한 장소에서 전동 공구를 사용해야 하는 경우에는 누전 차단기(RCD)로 보호된 전원 공급 장치를 사용하십시오.** RCD를 사용하면 감전 위험이 줄어듭니다.

3) 신체 안전

- a) 전동 공구로 작업할 때는 방심하지 말고 작업에 주의하면서 상식에 따르십시오. 피곤한 상태이거나 약물, 술, 치료제를 복용한 상태에서는 전동 공구를 사용하지 마십시오. 전동 공구를 사용하는 중에 주의력을 잃어 순간적으로 부상을 당할 수 있습니다.
- b) 신체 보호 장구를 착용하십시오. 항상 보안경을 착용하십시오. 적합한 상황에서 방진 마스크, 미끄럼 방지 안전화, 안전모 또는 청력 보호 기구 등의 보호 장비를 사용하면 신체 부상 위험이 줄어듭니다.
- c) 의도하지 않은 장비 가동 방지. 전원 및/또는 배터리 팩에 연결한 상태로 공구를 선택 또는 운반할 때는 사전에 스위치가 꺼짐 위치에 있는지 반드시 확인하십시오. 스위치가 켜짐 위치에 있는 상태에서 스위치에 손가락이 닿은 상태로 전동 공구를 운반하거나 전동 공구에 전원을 공급하면 사고가 발생합니다.
- d) 전동 공구를 켜기 전에 모든 조정 키 또는 렌치를 제거하십시오. 전동 공구의 회전 부품에 렌치나 키가 부착되어 있으면 부상을 당할 수 있습니다.
- e) 무리하게 팔을 뻗지 마십시오. 항상 올바른 자세로 서서 균형을 유지하십시오. 그러면 예기치 않은 상황에서 전동 공구에 대한 제어력이 향상됩니다.
- f) 적절한 의복을 착용합니다. 헐렁한 옷이나 장신구를 착용하지 마십시오. 머리카락, 옷 및 장갑이 움직이는 부품에 닿지 않도록 유의하십시오. 헐렁한 옷, 장신구 또는 긴 머리카락이 움직이는 부품에 걸 수 있습니다.
- g) 먼지 배출 및 집진 시설 연결을 위한 장치가 제공된 경우, 이들 장치가 연결되어 적절히 사용되고 있는지 반드시 확인하십시오. 집진 장치를 사용하면 먼지와 관련된 위험을 줄일 수 있습니다.

4) 전동 공구 사용 및 주의 사항

- a) 전동 공구에 무리한 힘을 가하지 마십시오. 해당 용도에 맞는 올바른 전동 공구를 사용하십시오. 올바른 전동 공구를 사용해야 설계된 속도로 작업을 더욱 안전하고 정확하게 수행할 수 있습니다.
- b) 스위치로 켜지고 꺼지지 않는 전동 공구는 사용하지 마십시오. 스위치로 제어되지 않는 전동 공구는 위험하며 수리해야 합니다.
- c) 전동 공구를 조정하거나 액세서리를 변경하거나 보관하기 전에 전원 및/또는 배터리 팩에서 플러그를 빼십시오. 이러한 예방적 안전 조치를 따라야 전동 공구가 갑자기 작동할 위험이 줄어듭니다.

- d) 사용하지 않는 전동 공구는 어린이의 손이 닿지 않는 곳에 보관하고, 전동 공구나 본지시 사항에 익숙하지 않은 사람이 전동 공구를 절대 사용하지 못하게 하십시오. 전동 공구는 훈련을 받지 않은 사용자가 다루면 위험합니다.
- e) 전동 공구 유지 보수. 움직이는 부품의 잘못된 정렬이나 바인딩, 부품 파손 및 기타 전동 공구의 작동에 영향을 미칠 수 있는 상태가 있는지 확인하십시오. 손상된 부분이 있는 경우 사용하기 전에 전동 공구를 수리하십시오. 많은 사고는 전동 공구를 제대로 유지 보수하지 않아 발생합니다.
- f) 절삭 공구를 예리하고 깨끗한 상태로 유지하십시오. 유지 보수를 올바르게 수행하여 절삭 가장자리가 예리한 절삭 공구를 사용하면 바인딩이 적고 다루기가 용이합니다.
- g) 작업 환경과 수행할 작업을 고려하여, 본지시 사항에 따라 전동 공구, 액세서리 및 톨 비트 등을 사용하십시오. 본 사용 설명서의 내용과 다른 용도로 전동 공구를 사용하면 위험한 상황이 발생할 수 있습니다.

5) 정비

- a) 자격을 갖춘 기술자가 동일 교체 부품을 사용하여 정비 작업을 수행해야 합니다. 그래야 전동 공구의 안전이 보장됩니다.

회전식 해머에 특정하게 적용되는 추가 안전 규칙

- 귀 보호 장구를 착용하십시오. 소음이 노출되면 청력이 손상될 수 있습니다.
- 공구와 함께 제공되는 보조 핸들을 사용하십시오. 제어력을 잃으면 신체 부상을 당할 수 있습니다.
- 절삭 공구가 숨겨진 배선 또는 자체 코드에 접촉할 수 있는 작업을 수행할 때는 절연된 그림핑 표면이 닿도록 하여 전동 공구를 잡으십시오. “전류가 흐르는” 전선과 접촉하면 공구의 노출된 금속 부분에 “전류가 흘러” 작업자가 감전될 수 있습니다.
- 클램프 또는 다른 적절한 방법을 사용하여 안정된 작업대에 작업 공구들을 고정 및 지지하십시오. 작업물을 손으로 잡거나 몸에 지지하는 행동은 불안정하며, 제어력을 잃을 수 있습니다.
- 안전 고글 또는 기타 눈 보호 장구를 착용하십시오. 해머 작업 시 파편이 날아갈 수 있습니다. 파편이 날아가 눈이 영구적으로 손상될 수 있습니다.

먼지가 발생하는 용도에 사용할 때는 마스크 또는 방독 마스크를 착용하십시오. 대부분의 경우에 귀 보호 장구가 필요할 수 있습니다.

- **항상 공구를 꼭 잡으십시오. 공구를 양손으로 잡지 않고 이 공구를 작동하려고 시도하지 마십시오. 항상 사이드 핸들을 사용하는 것이 좋습니다.** 한 손으로 이 공구를 사용하면 제어력을 잃을 수 있습니다. 강철봉과 같은 단단한 재질을 푼는 것 또한 위험할 수 있습니다. 사용하기 전에 사이드 핸들을 단단히 조이십시오.
- **본 공구를 장시간 사용하지 마십시오.** 해머 작동으로 인한 진동은 손과 팔에 유해할 수 있습니다. 장갑을 사용하여 추가 쿠션을 제공하고 종종 휴식을 취하여 진동으로부터의 노출을 제한하십시오.
- **직접 비트를 재조정하지 마십시오.** 치질 재조정은 공인 전문가가 수행하여야 합니다. 치질을 잘못 재조정하면 부상을 입을 수 있습니다.
- **공구를 작동하거나 비트를 교환할 때는 장갑을 착용하십시오.** 공구가 작동되는 동안 접근하기 쉬운 공구와 비트의 금속 부품은 매우 뜨거울 수 있습니다. 깨진 재료의 조그마한 부분이 맨손에 상처를 낼 수 있습니다.
- **비트가 완전히 멈출 때까지 공구를 내려 놓지 마십시오.** 비트가 움직이면 부상을 입을 수 있습니다.
- **꼭 끼인 비트를 제거하기 위해 해머로 치지 마십시오.** 금속이나 금속 조각의 파편이 이동하여 부상을 입힐 수 있습니다.
- **약간 마모된 치질은 연마하여 다시 날카롭게 만들 수 있습니다.**
- **전원 코드는 회전하는 비트 가까이에 두지 마십시오. 신체 부위에 코드를 감싸지 마십시오.** 방적 비트 주위로 감싼 전기 코드가 신체 부상을 초래하여 제어력을 잃을 수 있습니다.

기타 잔류 위험

다음 위험은 회전식 해머 사용 시 내재하고 있습니다.

- 공구의 회전 부품이나 뜨거운 부분을 만져서 발생하는 부상

관련된 안전 규정을 준수하고 안전 장치를 사용한다고 해도 특정한 위험은 피할 수 없습니다. 이러한 위험은 다음과 같습니다.

- 청력 손상.
- 액세서리 교체 시 손가락이 눌리는 위험.
- 콘크리트 및/또는 석재 작업 시 발생하는 먼지를 호흡하여 유발되는 건강 위해성.

공구에 표시된 마크

공구에는 다음과 같은 그림이 있습니다.



사용 전에 사용 설명서의 내용을 숙지하십시오.



귀 보호 장구를 착용하십시오.



보안경을 착용하십시오.

날짜 코드 위치(그림 1)

날짜 코드(n)에는 제조년도가 포함되어며 케이스에 인쇄되어 있습니다.

예:

2009 XX XX
제조년도

포장 상자의 내용물

포장 상자에는 다음 내용물이 들어 있습니다.

- 헤비듀티 회전식 해머드릴 1개
- 사이드 핸들 1개
- 깊이 조절봉 1개
- 공구박스 1개
- 사용 설명서 1개
- 분해도 1개

- 운반 중에 발생할 수 있는 공구, 부품 또는 액세서리의 손상 여부를 확인하십시오.
- 작동 전에 시간을 내어 본 사용 설명서를 읽고 숙지하십시오.

설명(그림 1)



경고: 전공 공구 또는 전동 공구의 어떤 부품도 절대 개조하지 마십시오. 제품이 파손되거나 신체 부상을 당할 수도 있습니다.

- 가변 속도 스위치
- 능동 진동 제어 장치

한국어

- c. 전진/후진 슬라이더
- d. 모드 선택기
- e. 안전 잠금장치
- f. 공구 홀더/록킹 슬리브
- g. 먼지막이 커버
- h. 깊이 조절봉
- i. 사이드 핸들
- j. 깊이 조절봉 클램프
- m. 주 핸들

용도

해머드릴은 콘크리트, 벽돌 및 석재 작업 시 카바이드가 달린 코어 드릴 및 전문적인 해머드릴과 가벼운 치핑, 치즐링 및 폭파용으로 설계되었습니다. 본 기기는 나무, 금속, 세라믹 및 플라스틱에서의 회전식 드릴 작업과 나사 조이기 및 나사 가공에도 적합합니다.

습한 환경이나 가연성 액체 또는 가스가 있는 장소에서 사용하지 **마십시오**.

이 해머드릴은 전문적인 전동 공구입니다.

어린이가 이 공구를 만지지 **않도록 하십시오**. 경험이 없는 작업자가 이 공구를 사용할 때는 감독자의 지도가 필요합니다.

능동 진동 제어 장치(그림 1)

능동 진동 제어 장치는 해머 기계 장치의 반향 진동을 완화시킵니다. 손과 팔의 진동을 줄여서 장시간 더 편안하게 사용할 수 있도록 하고 기기의 수명을 연장해 줍니다.

진동을 최대한 제어하려면, 한 손은 주 핸들(m)을 잡고, 다른 한 손은 사이드 핸들(i)을 잡으십시오. 해머가 약 중간 정도로 칠 압력만 가하십시오.

해머는 능동 진동 제어 장치가 작동하도록 할 충분한 압력만 필요합니다. 너무 많은 압력을 가하면 공구 드릴 또는 자르기를 더 빠르게 할 수 없고 능동 진동 제어 장치가 작동하지 않게 됩니다.

토크 제한 클러치

모든 회전식 해머드릴에는 토크 제한 클러치가 장착되어 있어서, 드릴 비트가 움직이지 않는 경우 작업자에 전송되는 최대 토크 반작용을 줄여줍니다. 이 기능 또한 전동 장치와 전기 모터가 꺼지지 않도록 방지합니다. 토크 제한 클러치는 공장 출고 시 설정되어 있으므로 조정할 수 없습니다.

전기 안전

전기 모터는 한 가지 전압에만 맞추어 설계되었습니다. 전원이 명판에 표시된 전압과 일치하는지 항상 확인하십시오.



DEWALT 공구는 EN 60745에 따라 이중 절연되어 있습니다. 따라서 접지선이 필요하지 않습니다.

전원 코드가 손상된 경우에는 DEWALT 서비스 센터를 통해 특수 제작된 코드로 교체해야만 합니다.

연장 코드 이용

연장 코드는 가급적 사용하지 말아주세요. 사용 중인 충전기 전원 입력에 맞는 승인된 연장 코드를 사용하십시오(기술 데이터 참조). 최대 도체 크기는 1 mm², 최대 길이는 30m입니다.

케이블 릴을 사용할 때는 항상 케이블을 완전히 푸십시오.

조립 및 조정



경고: 액세서리를 설치 및 제거하기 전, 구성 상태를 조정하거나 변경하기 전, 또는 수리 시 확인하십시오. **위험을 줄이려면 장치를 끄고 전원으로부터 연결을 분리하십시오.** 트리거 스위치가 꺼짐 위치에 있는지 반드시 확인하십시오. 공구가 갑자기 작동하여 신체 부상을 당할 수 있습니다.

작동 모드 선택(그림 2)

다음과 같은 작동 모드에서 공구를 사용할 수 있습니다.



회전 드릴: 강철, 나무 및 플라스틱에서 나사를 조이거나 드릴 작업 시.



해머드릴: 콘크리트 및 석재 드릴 작업 시.



해머 작업만 해당: 가벼운 치핑, 치즐링 및 폭파 용도. 이 모드에서는 꼭 끼인 드릴 비트를 풀기 위해 공구를 레버로 사용할 수도 있습니다.



비트 회전: 평평한 치즐을 원하는 위치로 회전할 경우에만 사용하는 비 작동 위치.

1. 작동 모드를 선택하려면, 안전 잠금 장치(e)를 누르고 모드 선택기 스위치(d)를 필요한 모드의 기호를 가리킬 때까지 돌립니다.

2. 안전 잠금 장치를 놓고 모든 선택기 스위치가 제자리에서 잠겼는지 확인합니다.



경고: 공구를 작동할 때는 작동 모드를 선택하지 마십시오.

치즐 위치 표시

치즐은 51개의 다양한 위치로 표시하고 잠글 수 있습니다.

1. 모드 선택기 스위치 (d)가 비트 회전 기호를 가리킬 때까지 돌립니다.
2. 치즐을 원하는 위치로 돌립니다.
3. 모드 선택기 스위치 (d)를 해머링 위치로만 설정합니다.
4. 치즐이 제자리에서 잠길 때까지 비틀어 돌립니다.

SDS Plus® 액세서리 삽입 및 제거

이 공구는 SDS Plus® 액세서를 사용합니다 (SDS Plus® 비트 샹크의 단면도는 그림 3의 삽입도를 참조하십시오). 전문 액세서리만 사용하는 것이 좋습니다.

1. 비트 샹크를 닦고 그리스를 바릅니다.
2. 비트 샹크를 공구 홀더/록킹 슬리브 (f)에 끼웁니다.
3. 비트 아래를 밀어 슬롯에 맞을 때까지 약간 돌립니다.
4. 비트를 잡아 당겨 제대로 잠겼는지 확인하십시오. 해머링 기능을 사용하려면 공구 홀더에 잠겨 있을 때 비트를 축 방향으로 몇 센티미터 이동할 수 있어야 합니다.
5. 공구 홀더/록킹 슬리브 (f)를 약간 뒤로 당겨 제거하려면 비트를 당겨 뺍니다.



경고: 액세서를 교환할 때는 항상 장갑을 착용하십시오. 작동 중에는 공구와 액세서리의 노출된 금속 부분이 매우 뜨거울 수 있습니다.

사이드 핸들 장착(그림 4)

사이드 핸들 (i)은 오른손 및 왼손 사용자에게 맞게 장착할 수 있습니다.



경고: 사이드 핸들을 제대로 조립하지 않은 상태에서 공구를 사용하지 마십시오.

1. 사이드 핸들을 풉니다.
2. **오른손 사용자인 경우:** 사이드 핸들 클램프를 공구 홀더 뒤의 칼라 위로 밀고

왼쪽에서 조종합니다.

왼손 사용자인 경우: 사이드 핸들 클램프를 공구 홀더 뒤의 칼라 위로 밀고 오른쪽에서 조종합니다.

3. 사이드 핸들을 원하는 위치로 돌리고 핸들을 조입니다.

드릴 깊이 설정(그림 5)

1. 위에서 설명한 대로 필요한 드릴 비트를 삽입합니다.
2. 깊이 조절봉 클램프 (j)를 누르고 그대로 유지합니다.
3. 깊이 조절봉 (h)을 깊이 조절봉 클램프의 구멍을 통해 장착합니다.
4. 그림과 같이 드릴 깊이를 조절합니다.
5. 깊이 조절봉 클램프를 놓습니다.

전진/후진 슬라이더(그림 6)

1. 전진 (RH) 회전을 위해 전진/후진 슬라이더 (c)를 왼쪽 (LH)으로 밀니다. 공구의 화살표를 참조하십시오.
2. 후진 (LH) 회전을 위해 전진/후진 슬라이더 (c)를 오른쪽 (RH)으로 밀니다.



경고: 회전 방향을 바꾸기 전에 항상 모터가 완전히 멈출 때까지 기다리십시오.

척 어댑터와 척 장착 (별도 판매)

1. 척을 척 어댑터의 나사산 끝에서 나사로 짙니다.
2. 표준 SDS Plus® 비트가 있던 대로 연결된 척과 어댑터를 공구에 삽입합니다.
3. 척을 분리하려면, 표준 SDS Plus® 비트를 분리하는 것과 같이 진행합니다.



경고: 해머 드릴 모드에서 표준 척을 사용하지 마십시오.

해당 액세서리에 대한 자세한 정보는 판매 대리점으로 문의하십시오.

먼지막이 커버 교체(그림 3)

먼지막이 커버 (g)는 기계 장치로의 먼지 진입을 막아줍니다. 찢어진 먼지막이 커버는 즉시 교체하십시오.

1. 공구 홀더 록킹 슬리브 (f)를 뒤로 당기고 먼지막이 커버 (g)를 빼냅니다.
2. 새 먼지막이 커버를 장착합니다.
3. 공구 홀더 록킹 슬리브를 놓습니다.

작동

사용 지침



경고:

- 항상 안전 지시 사항과 해당 규정을 준수하십시오.
- 파이프 구조 및 배선 위치를 알아 두십시오.
- 공구에 적당한 압력만 가하십시오 (약 5kg). 과도한 힘을 가하면 드릴 속도가 올라가지 않고 공구 성능이 감소하고 공구 수명이 단축될 수 있습니다.
- 먼지막이 커버가 손상되지 않도록 하려면 너무 깊게 드릴하거나 작동하지 마십시오.
- 항상 공구를 양손으로 단단히 잡고 안전하게 세워 두십시오. 항상 사이드 핸들을 올바르게 장착한 상태에서 공구를 작동하십시오.

올바른 손의 위치



경고: 심각한 부상의 위험을 줄이려면 **항상** 급작스러운 반작용을 예상하고 확실하게 잡으십시오.

올바른 손의 위치가 되려면 한 손은 사이드 핸들(i)을 잡고, 다른 손은 주 핸들(m)을 잡습니다.

과부하 클러치

드릴 비트가 움직이지 않거나 끼이면 드릴 스피들로 가는 드라이브가 과부화된 클러치에 의해 중단됩니다. 결과적으로 발생하는 힘으로 인해 항상 기기를 양손으로 확실하게 잡고 흔들리지 않게 세워두십시오.

전원 켜기 및 끄기(그림 1)

1. 공구를 작동하려면 가변 속도 스위치(a)를 누릅니다. 가변 속도 스위치를 누르는 힘에 따라 공구 속도가 결정됩니다.
2. 공구를 멈추려면 스위치를 놓습니다.
3. 공구를 꺼짐 위치에 고정하려면 전진/후진 슬라이더(c)를 중앙 위치로 이동합니다.

해머 드릴(그림 1)

솔리드 비트로 드릴

1. 모드 선택기(d)를 해머 드릴 위치로 설정합니다.
2. 해당 드릴 비트를 삽입합니다.
참고: 최상의 결과를 위해 고품질의 카바이드가 달린 비트를 사용하십시오.
3. 필요에 따라 사이드 핸들(i)을 조정합니다.
4. 필요할 경우, 드릴 깊이를 설정합니다.
5. 드릴 작업을 할 구멍의 지점을 표시합니다.
6. 드릴 비트를 그 지점에 놓고 공구의 전원 스위치를 켭니다.
7. 작업이 끝나면 플러그를 빼기 전에 항상 공구 스위치를 꺼짐 위치로 놓습니다.

코어 비트로 드릴

1. 모드 선택기(d)를 해머드릴 위치로 설정합니다.
2. 필요에 따라 사이드 핸들(i)을 조정합니다.
3. 해당 코어 비트를 끼웁니다.
4. 센터드릴을 코어 비트에 조립합니다.
5. 센터드릴을 그 지점에 놓고 가변 속도 스위치(a)를 누릅니다. 중심이 콘크리트 약 1cm까지 뚫고 들어갈 때까지 드릴합니다.
6. 드릴 작업을 멈추고 센터드릴을 제거합니다. 코어 비트를 다시 구멍에 넣고 드릴을 계속합니다.
7. 코어 비트 깊이보다 더 두껍게 구조물을 드릴할 때, 콘크리트의 둥근 원통 또는 비트 안쪽의 코어를 일정한 간격으로 절단합니다. 구멍 주변에서 콘크리트가 이탈하지 않도록 하려면, 먼저 구조물을 통해 센터 드릴의 직경으로 구멍을 드릴합니다. 그런 다음 각 면에서 중간 지점까지 중심 구멍을 뚫습니다.
8. 작업이 끝나면 플러그를 빼기 전에 항상 공구 스위치를 꺼짐 위치로 놓습니다.

회전 드릴 작업(그림 1)

1. 모드 선택기 스위치(d)를 회전 드릴 위치로 설정합니다.
2. 척 어댑터/척 어셈블리를 장착합니다.
3. 위의 설명에 따라 해머드릴을 진행합니다.



경고: 해머 드릴 모드에서 표준 척을 사용하지 마십시오.

나사 조이기(그림 1)

1. 모드 선택기 스위치(d)를 회전 드릴 위치로 설정합니다.
2. 회전 방향을 선택합니다.
3. 6각형 드라이버 비트와 함께 사용하려면 특수 SDS Plus® 나사 조이기 어댑터를 삽입합니다.
4. 해당 드라이버 비트를 삽입합니다. 마이너스 나사를 돌릴 때는 항상 파인더 슬리브와 함께 비트를 사용합니다.
5. 나사 대가리가 손상되지 않도록 하려면 가변 속도 스위치(a)를 살짝 누릅니다. 후진(LH) 위치에서는 나사를 쉽게 제거할 수 있도록 공구 속도가 자동으로 줄어듭니다.
6. 나사가 제조 공정에 있는 제품과 맞으면 가변 속도 스위치를 놓아서 나사 머리가 제조 공정에 있는 제품을 관통하지 않도록 합니다.

치핑 및 치즐링(그림 1)

1. 모드 선택기 스위치(d)를 해머링 위치로만 설정합니다.
2. 해당 치즐을 삽입하고 51개의 위치 중 하나에 고정될 수 있도록 손으로 돌립니다.
3. 필요에 따라 사이드 핸들(i)을 조정합니다.
4. 공구의 전원 스위치를 켜고 작업을 시작합니다.
5. 작업이 끝나면 플러그를 빼기 전에 항상 공구 스위치를 꺼짐 위치로 놓습니다.



경고:

- 쉽게 타거나 폭발성이 있는 액체(벤젠, 알코올 등)를 섞거나 주입하는 데 이 공구를 사용하지 마십시오.
- 따라서 라벨에 표시된 인화성 액체를 혼합하거나 섞지 마십시오.

유지 보수

DEWALT 전동 공구는 최소한의 유지 보수로 장기간에 걸쳐 작업이 가능하도록 설계되어 있습니다. 오랜 시간 만족스러운 성능으로 공구를 사용하려면 적합한 공구 관리와 정기적인 청소가 중요합니다.



경고: 액세서리를 설치 및 제거하기 전, 구성 상태를 조정하거나 변경하기 전, 또는 수리 시 **부상의 위험을 줄이려면 장치를 끄고 전원으로부터 연결을 분리하십시오.** 트리거 스위치가 꺼짐 위치에 있는지 반드시 확인하십시오. 공구가 갑자기 작동하여 신체 부상을 당할 수 있습니다.

- 본 기기는 사용자가 수리할 수 없습니다. 약 40시간 사용 후에는 공인 DEWALT 수리 대리점에 수리를 의뢰하십시오. 이 시간 이전에 문제가 발생할 경우 공인 DEWALT 수리 대리점에 문의하십시오.
- 카본 브러시가 마모되면 자동으로 공구 전원 스위치가 꺼집니다.

모터 브러시

DEWALT는 브러시가 마모되면 드릴을 자동으로 중단시키는 첨단 브러시 시스템을 채택했습니다. 따라서 모터의 심각한 손상이 방지됩니다.

새 브러시 어셈블리를 교체할 때는 DEWALT 인증 서비스 센터를 이용할 수 있습니다. 항상 동일한 교체 부품을 사용하십시오.



윤활 작업

전공 공구는 별도의 윤활 작업이 필요하지 않습니다.

사용한 부착물과 액세서리는 SDS Plus® 내부 장치 주변으로 정기적으로 윤활 작업을 해야 합니다.



청소



경고: 통풍구 속이나 주변에 먼지가 쌓여있는 것이 보이면 가능한 한 자주 건조한 공기를 이용하여 몸체에서 먼지를 풀어내십시오. 이 절차를 수행할 때에는 승인된 보안경 및 승인된 방진 마스크를 착용하십시오.



경고: 공구의 금속 이외 부품을 청소할 때는 용제 등의 강력한 화학약품을 절대 사용하지 마십시오. 그렇지 않으면 이러한 부분에 사용된 재료가 약해질 수 있습니다. 헹굼에 물과 순한 비누를 적셔 닦아주십시오. 공구 내부에 액체를 넣거나 공구 부품을 액체에 담그는 행동은 절대 금물입니다.

옵션 액세서리



경고: DEWALT에서 제공하지 않은 액세서리는 본 제품에서 테스트되지 않았으므로 본 제품에서 이러한 액세서리를 사용하면 위험할 수 있습니다. 신체 부상의 위험을 줄이려면 본 제품에 DEWALT 권장 액세서리만 사용해야 합니다.

한국어

다양한 종류의 SDS Plus® 드릴 비트와 치즐은 옵션으로 사용할 수 있습니다.

해당 액세서리에 대한 자세한 정보는 판매 대리점으로 문의하십시오.

환경 보호



분리 수거. 본 제품을 일반 가정용 쓰레기로 처리하면 안됩니다.

DEWALT 제품을 교체해야 하거나 더 이상 쓸모가 없어졌다고 판단될 때는 본 제품을 가정용 쓰레기와 함께 처리하지 마십시오. 이 제품은 분리 수거하십시오.



사용하던 제품과 포장을 분리 수거하면 자원을 재활용 및 재사용할 수 있습니다. 재활용 자원을 이용하면 환경 오염이 방지되고 고철 자원에 대한 수요를 줄일 수 있습니다.

지역에 따라 가정용 가전제품을 분리 수거하는 규정이 마련되어 있거나 새로운 제품을 구입할 때 판매점에서 폐기 방법을 알려줄 수 있습니다.

DEWALT는 사용이 끝난 DEWALT 제품을 수집하여 재활용하기 위한 시설을 운영하고 있습니다. 이 서비스를 활용하려면 당사가 폐제품 수거를 위임한 공인 수리 대리점에 제품을 반환해 주십시오.

본 사용 설명서에 기재된 연락처로 가까운 DEWALT 영업소에 연락하면 가까운 공인 수리 대리점 위치를 확인할 수 있습니다. 또는 다음 웹 사이트를 방문하여 DEWALT 공인 수리 대리점 목록과 A/S 및 연락처 등 자세한 정보를 찾아볼 수 있습니다. www.dewalt.co.kr.

ส่วนเจาะกระแทกสำหรับงานหนัก D25323

ขอแสดงความยินดี!

คุณได้เลือกใช้เครื่องมือของ DEWALT ด้วยประสบการณ์ที่ยาวนาน ตลอดจนการพัฒนาผลิตภัณฑ์และนวัตกรรมใหม่ๆ ทำให้ DEWALT เป็นหนึ่งในเครื่องมือไฟฟ้าที่น่าเชื่อถือที่สุดสำหรับกลุ่มผู้ใช้เครื่องมือไฟฟ้าระดับมืออาชีพ

ข้อมูลทางด้านเทคนิค

		D25323
แรงดันไฟฟ้า	โวลต์	220-240
กำลังไฟเข้า	วัตต์	800
ความเร็วขณะไม่มีภาระโหลด	นาที ⁻¹	0-1,150
ความเร็วขณะมีภาระโหลด	นาที ⁻¹	0-830
แรงกระแทก		
การเจาะกระแทก	J	0-3.1
การสกัด	J	0-3.4
พิสัยการเจาะสูงสุดสำหรับ		
เหล็ก/ไม้/คอนกรีต	มม.	13/30/26
ตำแหน่งดอกสกัด		51
ความสามารถในการเจาะคว้านอิฐอ่อน	มม.	65
ที่จับอุปกรณ์		SDS Plus®
เส้นผ่าศูนย์กลางปลอกสว่าน	มม.	54
น้ำหนัก	กก.	3.4
L _{PA} (แรงดันเสียง)	dB(A)	85.4
K _{PA} (ความไม่แน่นอนของแรงดันเสียง)	dB(A)	3.3
L _{WA} (กำลังเสียง)	dB(A)	99.4
K _{WA} (ความไม่แน่นอนของกำลังเสียง)	dB(A)	3.3
ค่ารวมของการสั่นสะเทือน (triax vector sum) ตามมาตรฐาน EN 60745:		
การเจาะโลหะ		
ค่าการปล่อยแรงสั่นสะเทือน a _{h,D} =	m/s ²	<2.5
ความไม่แน่นอน K =	m/s ²	1.5
การเจาะคอนกรีต		
ค่าการปล่อยแรงสั่นสะเทือน a _{h,HD} =	m/s ²	10.5
ความไม่แน่นอน K =	m/s ²	1.5
การสกัด		
ค่าการปล่อยแรงสั่นสะเทือน a _{h,Cheq} =	m/s ²	10.5
ความไม่แน่นอน K =	m/s ²	3.5
การขันสกรูโดยไม่ใช้แรงกระแทก		
ค่าการปล่อยแรงสั่นสะเทือน a _h =	m/s ²	<2.5
ความไม่แน่นอน K =	m/s ²	1.5

ระดับของการปล่อยแรงสั่นสะเทือนที่ระบุในเอกสารข้อมูลนี้ ได้รับการตรวจวัดตามมาตรฐานการทดสอบใน EN 60745 และอาจนำมาใช้เพื่อเปรียบเทียบเครื่องมือชนิดหนึ่งกับเครื่องมืออีกชนิดหนึ่ง หรืออาจนำมาใช้สำหรับการประเมินผลเบื้องต้นของการสั่นสะเทือนก็ได้



คำเตือน: ระดับของการปล่อยแรงสั่นสะเทือนที่ระบุไว้ แสดงถึงการใช้งานหลักๆ ของเครื่องมือ อย่างไรก็ตาม หากใช้เครื่องมือกับการใช้งานอื่นๆ ร่วมกับอุปกรณ์เสริมชนิดอื่น หรือเครื่องมืออยู่ในสภาพที่ขาดการดูแล ระดับการปล่อยแรงสั่นสะเทือนอาจแตกต่างไปจากค่าที่ระบุ เนื่องจากอาจส่งผลให้ระดับการสั่นสะเทือนเพิ่มขึ้นอย่างมากตลอดระยะเวลาการทำงานโดยรวม

ควรนำค่าระดับการสั่นสะเทือนที่เหลืออยู่ในขณะปิดสวิตช์เครื่องมือ หรือเมื่อปล่อยให้เครื่องทำงานแต่ไม่ได้ใช้งานใดๆ มาใช้ในการประเมินค่าด้วย เนื่องจากอาจส่งผลให้ระดับการสั่นสะเทือนลดลงอย่างมากสำหรับระยะเวลาการทำงานโดยรวม

ศึกษาเพิ่มเติมถึงมาตรการรักษาความปลอดภัย ทั้งนี้เพื่อป้องกันผู้ปฏิบัติงานจากผลกระทบของแรงสั่นสะเทือน เช่น บำรุงรักษาเครื่องมือและอุปกรณ์เสริม ทำให้มีอยู่ตามแผนการทำงานอย่างเป็นระบบ

คำจำกัดความ: ข้อแนะนำด้านความปลอดภัย

คำจำกัดความด้านล่างอธิบายถึงระดับความรุนแรงของคำแต่ละคำที่ใช้เรียกสัญลักษณ์ต่างๆ โปรดอ่านคู่มือและทำความเข้าใจกับสัญลักษณ์เหล่านี้



อันตราย: หมายถึงสถานการณ์ที่ก่อให้เกิดอันตรายได้อย่างฉับพลัน ซึ่งหากไม่ระวังจะทำให้เสียชีวิตหรือบาดเจ็บสาหัสได้



คำเตือน: หมายถึงสถานการณ์ที่มีแนวโน้มว่าจะก่อให้เกิดอันตราย ซึ่งถ้าไม่ระวังสามารถทำให้เสียชีวิตหรือบาดเจ็บสาหัสได้



ข้อควรระวัง: หมายถึงสถานการณ์ที่มีแนวโน้มว่าจะก่อให้เกิดอันตราย ซึ่งถ้าไม่ระวังอาจทำให้ได้รับบาดเจ็บเล็กน้อยหรือปานกลาง

ข้อควรระวัง: การใช้งานในกรณีที่ไม่มีความเสี่ยงแจ้งเตือนความปลอดภัย หมายถึงสถานการณ์ที่มีแนวโน้มว่าจะก่อให้เกิดอันตราย ซึ่งถ้าไม่ระวัง อาจทำให้ทรัพย์สินชำรุดเสียหายได้



แสดงถึงอันตรายจากการถูกไฟฟ้าดูด



แสดงถึงอันตรายจากการเกิดเพลิงไหม้



คำเตือน: เพื่อลดความเสี่ยงต่อการบาดเจ็บ โปรดอ่านคู่มือการใช้งานเล่มนี้

คำเตือนด้านความปลอดภัยทั่วไปจากการใช้เครื่องมือไฟฟ้า



คำเตือน! อ่านคำเตือนและคำแนะนำด้านความปลอดภัยทั้งหมด การไม่ปฏิบัติตามคำเตือนและคำแนะนำเหล่านี้อาจทำให้เกิดไฟดูด เกิดเพลิงไหม้และ/หรือบาดเจ็บสาหัสได้

จัดเก็บเอกสารคำเตือนและคำแนะนำทั้งหมดไว้เพื่อการอ้างอิงในภายหลัง

คำว่า “เครื่องมือไฟฟ้า” ในคำเตือน หมายถึงเครื่องมือไฟฟ้าที่ทำงานผ่านสายเมน (มีสาย) หรือแบตเตอรี่ (ไม่มีสาย)

1) ความปลอดภัยในบริเวณที่ทำงาน

- รักษาความสะอาดและจัดให้มีแสงสว่างเพียงพอในบริเวณที่ทำงาน บริเวณที่คับแคบหรือมีท่าให้เกิดอุบัติเหตุได้
- ห้ามใช้เครื่องมือไฟฟ้าในบริเวณที่อาจเกิดการระเบิด เช่น เมื่อมีของเหลวไวไฟ แก๊ส หรือ ฝุ่นละออง เครื่องมือไฟฟ้าจะทำให้เกิดประกายไฟที่อาจทำให้เกิดละอองไฟหรือเปลวไฟขึ้นได้
- ระวังไม่ให้เด็กเล็กและคนเดินผ่านไปมาเข้าใกล้ในขณะที่ใช้เครื่องมือไฟฟ้า สิ่งรบกวนอาจทำให้คุณเสียสมาธิได้

2) ความปลอดภัยทางไฟฟ้า

- ปลั๊กไฟของเครื่องต้องเป็นชนิดเดียวกับเต้ารับ ห้ามดัดแปลงปลั๊กไม่ว่าจะด้วยวิธีใด ห้ามใช้ตัวแปลงกับเครื่องมือไฟฟ้าที่ต่อสายดิน ปลั๊กที่ไม่มีการดัดแปลงและเต้ารับชนิดเดียวกันจะช่วยลดความเสี่ยงจากการถูกไฟดูด
- หลีกเลี่ยงการสัมผัสพื้นผิวที่ต่อสายดิน เช่น ท่อหม้อน้ำ เตาหุงต้ม และตู้เย็น มีความเสี่ยงเพิ่มขึ้นที่จะถูกไฟดูดหากร่างกายเป็นสื่อเชื่อมต่อกับดิน
- อย่าให้เครื่องมือไฟฟ้าถูกฝนหรือเปียกน้ำ น้ำที่เข้าเครื่องมือไฟฟ้าจะเพิ่มความเสี่ยงในการถูกไฟดูดเพิ่มขึ้น
- ระวังอย่าให้สายไฟชำรุด ห้ามใช้สายไฟเพื่อหิ้วดึงหรือถอดปลั๊กเครื่องมือไฟฟ้า เก็บสายไฟให้พ้นจากความร้อน น้ำมัน ของมีคม หรือ ชิ้นส่วนที่กำลังเคลื่อนที่ สายไฟที่ชำรุดหรือพันกันเป็นการเพิ่มความเสี่ยงจากการถูกไฟดูด
- เมื่อใช้เครื่องมือไฟฟ้ากลางแจ้ง ให้ใช้สายพ่วงที่เหมาะสมสำหรับการใช้งานกลางแจ้ง ใช้สายไฟที่เหมาะสมสำหรับการใช้งานกลางแจ้งเพื่อลดความเสี่ยงในการถูกไฟดูด
- หากไม่สามารถหลีกเลี่ยงการใช้เครื่องมือไฟฟ้าในบริเวณที่ชื้นแฉะได้ ให้ใช้อุปกรณ์ป้องกันไฟฟ้าสะสม (RCD) ที่จัดให้ ใช้ RCD เพื่อลดความเสี่ยงจากการเกิดไฟฟ้ดูด

3) ความปลอดภัยส่วนบุคคล

- ก) **ต้นตัวและสัมผัสกับสิ่งที่คุณกำลังทำ รวมทั้งใช้สามัญสำนึก** ในขณะที่กำลังใช้งานเครื่องมือไฟฟ้า ห้ามใช้เครื่องมือไฟฟ้าในขณะที่คุณกำลังเหนื่อยหรือได้รับอิทธิพลจากยา แอลกอฮอล์ หรือการรักษายาบางอย่าง การขาดความระมัดระวังในการใช้เครื่องมือไฟฟ้าแม้ชั่วขณะหนึ่งอาจทำให้บาดเจ็บสาหัสได้
- ข) **ใช้อุปกรณ์ป้องกันส่วนบุคคล สวมอุปกรณ์ป้องกัน** ความปลอดภัย อุปกรณ์ป้องกัน เช่น หน้ากากกันฝุ่น รองเท้ากันภัยกันลื่น หมวกกันน็อก หรืออุปกรณ์ป้องกันเสียงดังสำหรับสภาพที่เหมาะสมจะช่วยลดอาการบาดเจ็บส่วนบุคคล
- ค) **ป้องกันเครื่องทำงานโดยไม่ตั้งใจ สวิตช์ต้องอยู่** ในตำแหน่งปิดก่อนเสียบปลั๊กของเครื่องเข้ากับแหล่งจ่ายไฟ และ/หรือแบตเตอรี่ ยกหรือหัวเครื่องมือ การยกเครื่องมือไฟฟ้าในขณะที่นิ้วอยู่ที่สวิตช์ หรือใช้เครื่องมือไฟฟ้าที่สวิตช์เปิดอยู่ อาจทำให้เกิดอุบัติเหตุได้
- ง) **ถอดกุญแจปรับแต่งหรือประแจออกก่อนเปิดสวิตช์** เครื่องมือไฟฟ้า ประแจหรือกุญแจที่เสียบคาไว้กับชิ้นส่วนที่กำลังหมุนของเครื่องมือไฟฟ้าอาจทำให้ได้รับบาดเจ็บได้
- จ) **ห้ามยื่นแขนขณะใช้เครื่อง ควรยืนในท่าที่** เหมาะสมและสมดุลตลอดเวลา เพื่อช่วยในการควบคุมเครื่องมือไฟฟ้าได้ดียิ่งขึ้นในสถานการณ์ที่ไม่คาดคิด
- ฉ) **แต่งกายให้เหมาะสม ห้ามสวมเสื้อผ้าหลวมหรือใส่** เครื่องประดับ รวบผม ชายเสื้อ และถุงมือให้ห่างจากชิ้นส่วนที่กำลังหมุน เสื้อผ้าที่หลวมหรือยาว รุ่มร่าม เครื่องประดับ หรือผมที่ยาวอาจเข้าไปพันกับชิ้นส่วนที่กำลังหมุน
- ช) **หากมีอุปกรณ์สำหรับเก็บฝุ่นและรวบรวมเศษไม้** ต้องเชื่อมต่ออุปกรณ์เหล่านั้นและนำมาใช้งานอย่างเหมาะสม การใช้อุปกรณ์เก็บฝุ่นจะช่วยลดอันตรายที่เกี่ยวข้องกับฝุ่นได้
- 4) **การใช้และการดูแลรักษาเครื่องมือไฟฟ้า**
- ก) **ห้ามเดินใช้เครื่องมือไฟฟ้า เลือกใช้เครื่องมือไฟฟ้าที่** ถูกต้องตรงกับลักษณะการใช้งานของคุณ เครื่องมือไฟฟ้าที่ถูกต้องย่อมทำงานได้ดีกว่าและปลอดภัยกว่า ในอัตราที่เครื่องมือได้รับการออกแบบมา
- ข) **ห้ามใช้เครื่องมือไฟฟ้าถ้าสวิตช์เปิดปิดเครื่องไม่ทำงาน** เครื่องมือไฟฟ้าที่ไม่สามารถควบคุมผ่านสวิตช์ได้ มีอันตรายและต้องส่งซ่อม
- ค) **ถอดปลั๊กของเครื่องมือไฟฟ้าออกจากแหล่งจ่ายไฟ** และ/หรือ แบตเตอรี่ก่อนทำการปรับแต่ง เปลี่ยนอุปกรณ์เสริม หรือจัดเก็บ มาตรการเพื่อความ

ปลอดภัยเชิงการป้องกันนี้จะช่วยลดความเสี่ยงในการเปลือเปิดเครื่องให้ทำงานโดยไม่ได้ตั้งใจ

- ง) **เก็บเครื่องมือไฟฟ้าที่พร้อมใช้งานไว้ให้พ้นมือเด็ก** และไม่อนุญาตให้บุคคลที่ไม่คุ้นเคยกับเครื่องมือไฟฟ้าหรือคำแนะนำเหล่านี้เป็นผู้ใช้เครื่องมือไฟฟ้าจะเป็นอันตรายหากอยู่ในมือผู้ใช้ที่ไม่มีความชำนาญ
- จ) **บำรุงรักษาเครื่องมือไฟฟ้า ตรวจสอบการวาง** ตำแหน่งหรือการต่อชิ้นส่วนที่เคลื่อนที่ จุดเชื่อมต่อชิ้นส่วนและสภาพอื่นๆ ที่อาจส่งผลกระทบต่อการทำงานของเครื่องมือไฟฟ้า หากชำรุดเสียหาย ให้ส่งซ่อมก่อนนำมาใช้ อุบัติเหตุมากมายเกิดจากเครื่องมือไฟฟ้าที่มีระบบการดูแลรักษาไม่ดีพอ
- ฉ) **เครื่องมือตัดต้องคมและสะอาดอยู่เสมอ** เครื่องมือตัดที่ผ่านการดูแลรักษาที่เหมาะสมและมีขอบสำหรับงานตัดที่คม จะไม่ค่อยเกิดปัญหาและความคมได้ง่าย
- ช) **ใช้เครื่องมือไฟฟ้า อุปกรณ์เสริมและชุดอุปกรณ์ต่างๆ** ให้สอดคล้องกับคำแนะนำเหล่านี้ โดยพิจารณาถึงสภาพการทำงานและงานที่ทำเป็นสำคัญ การใช้เครื่องมือไฟฟ้าทำงานอื่นนอกเหนือจากที่กำหนดไว้ อาจทำให้เกิดอันตรายได้
- 5) **การบริการ**
- ก) **ให้ช่างซ่อมที่มีความเชี่ยวชาญเป็นผู้ซ่อมเครื่องมือ** และใช้อะไหล่แท้เท่านั้น ซึ่งช่วยรับประกันได้ว่าเครื่องมือไฟฟ้ายังมีความปลอดภัยอยู่

กฎเกณฑ์เพิ่มเติมด้านความปลอดภัยเฉพาะสำหรับสว่านเจาะกระแทกโรตารี

- **สวมอุปกรณ์ป้องกันหู** การอยู่กับเสียงดังมากๆ อาจทำให้สูญเสียความสามารถในการได้ยิน
- **ใช้มือจับเสริมที่นำมาพร้อมกับเครื่อง** การสูญเสียการควบคุมเครื่องอาจทำให้ได้รับบาดเจ็บได้
- **จับเครื่องมือไฟฟ้าที่พื้นผิวส่วนที่ใช้จับซึ่งมีฉนวน** ป้องกัน ในขณะที่ใช้งานเครื่องซึ่งเครื่องมือตัดอาจสัมผัสกับสายไฟที่ซ่อนอยู่หรือสายไฟของตัวเครื่องเอง การสัมผัสกับสายไฟที่มี “กระแสไฟฟ้าน” จะทำให้ชิ้นส่วนโลหะของเครื่องมือไฟฟ้าที่อยู่บนฉนวนได้รับ “กระแสไฟฟ้าน” และทำให้ผู้ใช้ถูกไฟดูดได้
- **ใช้ตัวจับชิ้นงานหรือวิธีอื่นๆ ที่ได้ผลเพื่อยึดและรอง** ชิ้นงานบนแท่นที่มั่นคง การใช้มือจับหรือให้ชิ้นงานพียงกับลำตัวจะไม่มั่นคงเพียงพอและอาจทำให้สูญเสียการควบคุมได้
- **สวมแว่นกันภัยหรืออุปกรณ์ป้องกันตาแบบอื่นๆ** การเจาะตอกด้วยสว่านไฟฟ้าจะทำให้เศษชิ้นงานปลิวได้ เศษชิ้นงานที่ปลิวออกมาอาจทำลายดวงตาอย่างถาวร สวมหน้ากากกันฝุ่นหรือหน้ากากป้องกัน

ขณะปฏิบัติงานที่อาจมีฝุ่นฟุ้งกระจาย อาจจำเป็นต้องสวมอุปกรณ์ป้องกันหูสำหรับการทำงานส่วนใหญ่

- **จับที่ด้ามจับของเครื่องมือให้มั่นคงตลอดเวลา อย่าใช้เครื่องมือทำงานใดๆ โดยไม่จับเครื่องมือด้วยมือทั้งสองข้าง** ขอแนะนำให้ใช้มือจับเสริมด้านข้างตลอดเวลา การใช้เครื่องมือนี้ด้วยมือข้างเดียวจะทำให้สูญเสียการควบคุม การเจาะทะลุหรือการเจาะเข้าวัสดุที่แข็งอย่างเช่น เหล็กเส้น อาจก่อให้เกิดอันตรายได้เช่นกัน โปรดขันมือจับเสริมด้านข้างให้แน่นก่อนใช้งาน
- **อย่าใช้งานเครื่องมือนี้ต่อเนื่องเป็นเวลานาน** แรงสั่นสะเทือนที่เกิดจากการตอกกระแทก อาจทำให้เกิดอันตรายต่อมือและแขนของคุณ ใช้ถุงมือเพื่อดูดซับแรงสั่นสะเทือนบางส่วน และจำกัดแรงสั่นสะเทือนโดยหยุดเครื่องเป็นระยะๆ
- **ห้ามปรับแต่งดอกสว่าน/ดอกสกัดเอง** ควรให้ผู้เชี่ยวชาญที่ได้รับอนุญาตเป็นผู้ทำการปรับแต่งดอกสกัด หากปรับแต่งดอกสกัดอย่างไม่ถูกต้อง อาจทำให้เกิดการบาดเจ็บได้
- **สวมถุงมือในขณะที่ใช้งานเครื่องมือหรือเปลี่ยนดอกสว่าน/ดอกสกัด** เศษชิ้นส่วนโลหะบนเครื่องมือและดอกสว่าน/ดอกสกัดอาจร้อนมากในระหว่างการใช้งานเครื่องมือ เศษชิ้นเล็กๆ จากวัสดุที่แตกหักอาจทำอันตรายต่อมือได้หากไม่ได้สวมถุงมือ
- **อย่าวางเครื่องมือจนกว่าดอกสว่าน/ดอกสกัดจะหยุดหมุนแล้ว** ดอกสว่าน/ดอกสกัดที่ยังหมุนอยู่อาจทำให้เกิดการบาดเจ็บได้
- **อย่าใช้ค้อนกระแทกดอกสว่าน/ดอกสกัดที่ติดขัดอยู่ให้หลุดออก** ชิ้นโลหะหรือเศษวัสดุอาจหลุดออกมาและทำให้เกิดการบาดเจ็บได้
- **ดอกสกัดที่สึกเพียงเล็กน้อย สามารถทำให้คมขึ้นได้โดยการเจียร**
- **พยายามเก็บสายไฟให้ห่างจากดอกสว่าน/ดอกสกัดที่กำลังหมุน** อย่าพันสายไฟรอบส่วนใดๆ บนตัวคุณ หากสายไฟพันรอบดอกสว่าน/ดอกสกัดที่กำลังหมุน อาจทำให้เกิดการบาดเจ็บและสูญเสียการควบคุมได้

ความเสี่ยงสะสม

การใช้งานสว่านเจาะกระแทกโรตารีอาจเป็นสาเหตุของความเสียดังต่อไปนี้:

- การบาดเจ็บจากการสัมผัสชิ้นส่วนของเครื่องมือที่กำลังหมุนหรือร้อน

แม้จะปฏิบัติตามข้อกำหนดด้านความปลอดภัยที่เกี่ยวข้อง และใช้อุปกรณ์นิรภัย แต่ยังไม่สามารถหลีกเลี่ยงความเสี่ยงสะสมบางประเภทได้ ความเสี่ยงเหล่านั้นได้แก่:

- ความบกพร่องในการได้ยินเสียง
- ความเสี่ยงของการหนีบถูกนิ้วในขณะที่เปลี่ยนอุปกรณ์เสริม
- อันตรายต่อสุขภาพซึ่งมีสาเหตุจากการสูดหายใจเอาฝุ่นที่เกิดจากการทำงานกับคอนกรีต และ/หรือ ปูน

สัญลักษณ์บนเครื่องมือ

รูปภาพต่อไปนี้จะปรากฏบนเครื่องมือ:



อ่านคู่มือการใช้งานก่อนใช้เครื่อง



สวมอุปกรณ์ป้องกันหู



สวมอุปกรณ์ป้องกันตา

ตำแหน่งของรหัสนี้ (ภาพ 1)

รหัสนี้ (N) ซึ่งรวมถึงปีที่ผลิต จะถูกพิมพ์ไว้บนตัวเครื่องตัวอย่างเช่น:

2009 XX XX

ปีที่ผลิต

รายการส่วนประกอบบรรจุภัณฑ์

สิ่งของในบรรจุภัณฑ์ได้แก่:

สว่านเจาะกระแทกโรตารีสำหรับงานหนัก 1 เครื่อง

มือจับเสริมด้านข้าง 1 ชิ้น

ก้านปรับระยะการเจาะ 1 ชิ้น

กล่องเครื่องมือ 1 กล่อง

คู่มือการใช้งาน 1 เล่ม

ภาพแยกชิ้นส่วนอุปกรณ์ 1 ชิ้น

- ตรวจสอบร่องรอยความเสียหายของเครื่องมือ ชิ้นส่วนหรืออุปกรณ์เสริม ที่อาจเกิดขึ้นในระหว่างการขนส่ง
- อ่านและทำความเข้าใจคู่มือเล่มนี้ก่อนการใช้งาน

คำอธิบาย (ภาพ 1)



คำเตือน: ห้ามดัดแปลงเครื่องมือนี้อะไรหรือส่วนประกอบต่างๆ เพราะอาจทำให้เครื่องมือชำรุดหรือได้รับบาดเจ็บได้

- สวิทช์ปรับระดับความเร็ว
- ตัวควบคุมแรงสั่นสะเทือนแบบแอ็คทีฟ
- ปุ่มเลื่อนเดินหน้า/ถอยหลัง

- d. ตัวเลือกโหมด
- e. ล็อคคิรภัย
- f. ที่จับอุปกรณ์ / ปลอกล็อค
- g. ฟากันฝุ่น
- h. ก้านปรับระยะการเจาะ
- i. มือจับเสริมด้านข้าง
- j. ตัวยึดก้านปรับระยะการเจาะ
- m. ด้ามจับตัวหลัก

วัตถุประสงค์ในการใช้งาน

สว่านเจาะกระแทกเครื่องนี้ได้รับการออกแบบมาเพื่องานเจาะ งานสกัด งานฉากชนิดเบา และงานเจาะทำลายอย่างมืออาชีพ รวมทั้งเจาะคว้านด้วยดอกสว่านหัวคาร์ไบด์สำหรับคอนกรีต อิฐ และก้อนหิน นอกจากนี้ เครื่องมือชนิดนี้ยังเหมาะกับการเจาะบันเข้าวัสดุไม้ โลหะ เซรามิก และพลาสติก อีกทั้งเหมาะสำหรับการขันสกรูและเจาะเกลียว

ห้ามใช้หากอยู่ในบริเวณที่เปียกชื้น หรือมีของเหลวไวไฟหรือแก๊สอยู่ในบริเวณดังกล่าว

สว่านเจาะกระแทกเหล่านี้เป็นเครื่องมือไฟฟ้าสำหรับมืออาชีพ

ห้ามเด็กสัมผัสกับเครื่องมือไฟฟ้า ผู้ใช้ที่ไม่มีประสบการณ์มาก่อน ต้องได้รับการดูแลในขณะที่ใช้เครื่องมือนี้

ตัวควบคุมแรงสั่นสะเทือนแบบแอคทีฟ (ภาพ 1)

ตัวควบคุมแรงสั่นสะเทือนแบบแอคทีฟทำหน้าที่ดูดซับแรงสั่นสะเทือนที่สะท้อนมาจากการตอกกระแทกให้ลดน้อยลง การลดระดับมือและแขนให้ต่ำลง จะช่วยให้คุณรู้สึกสบายขึ้นเมื่อใช้เครื่องมือเป็นเวลานาน และยังช่วยยืดอายุการใช้งานของเครื่องด้วย

การควบคุมแรงสั่นสะเทือนที่ได้ผลสูงสุด คือการจับเครื่องมือที่ด้ามจับตัวหลักด้วยมือหนึ่ง (m) และใช้มืออีกข้างหนึ่งจับที่มือจับเสริมด้านข้าง (i) ออกแรงกดเพียงแค่นี้สว่านเจาะกระแทกทำงานประมาณครึ่งช่วงชัก

สว่านเจาะกระแทกต้องการแรงกดที่เพียงพอเพื่อทำให้ตัวควบคุมแรงสั่นสะเทือนแบบแอคทีฟทำงานเท่านั้น การใช้แรงกดมากเกินไป ไม่ได้ทำให้เครื่องมือเจาะหรือสกัดได้เร็วขึ้น แต่จะทำให้ตัวควบคุมแรงสั่นสะเทือนไม่ทำงาน

คลัตช์ควบคุมแรงขัน

สว่านเจาะกระแทกโรตารีจะมีคลัตช์ควบคุมแรงบิดติดตั้งมาด้วย ซึ่งจะทำหน้าที่ลดปฏิกิริยาตอบสนองสูงสุดต่อแรงบิดที่ถูกส่งผ่านไปยังผู้ปฏิบัติงานในกรณีที่เกิดดอกสว่านติดขัด คุณสมบัตินี้ยังช่วยป้องกันเกียร์และมอเตอร์ไฟฟ้าค้างอีกด้วย คลัตช์ควบคุมแรงขันได้รับการปรับตั้งจากโรงงานและไม่สามารถปรับเปลี่ยนได้

ความปลอดภัยทางไฟฟ้า

มอเตอร์ไฟฟ้าออกแบบมาเพื่อใช้กับแรงดันไฟฟ้าขนาดเดียวเท่านั้น ห้ามตรวจสอบกำลังไฟเพื่อให้ตรงกับแรงดันไฟฟ้าบนแผ่นแสดงที่กัก



เครื่องมือ DEWALT ใช้ระบบฉนวนสองชั้นที่ตรงตามมาตรฐาน EN 60745 จึงไม่จำเป็นต้องใช้สายดิน

ถ้าสายไฟของตัวเครื่องชำรุดเสียหาย ต้องเปลี่ยนเป็นสายไฟที่จัดเตรียมมาเป็นพิเศษซึ่งสั่งซื้อได้ที่ศูนย์บริการของ DEWALT

การใช้สายพ่วง

ไม่ควรใช้สายพ่วงเว้นแต่จำเป็นจริงๆ ควรใช้สายพ่วงที่ผ่านการรับรองและเหมาะสมกับกำลังไฟของเครื่องชาร์จ (ดูข้อมูลทางด้านเทคนิค) ขนาดของลีดนำไฟฟ้าต่ำสุด คือ 1 ตร.มม. ความยาวสูงสุดคือ 30 ม.

เมื่อใช้อุปกรณ์มันเก็บสายไฟ ให้คลายสายไฟออกจนหมดก่อน

การประกอบและการปรับแต่ง



คำเตือน: เพื่อลดความเสี่ยงจากการบาดเจ็บ ให้ปิดเครื่องมือและถอดปลั๊กเครื่องมือออกจากแหล่งจ่ายไฟก่อนการประกอบและถอดอุปกรณ์เสริม ก่อนการปรับแต่งหรือเปลี่ยนชุดติดตั้ง หรือขณะทำการซ่อมแซม สวิตช์ปรับระดับความเร็วต้องอยู่ในตำแหน่ง "ปิด" การฝืนเปิดเครื่องโดยไม่ได้อิงจากรางทำให้เกิดการบาดเจ็บได้

การเลือกโหมดการทำงาน (ภาพ 2)

เครื่องมือสามารถใช้ในโหมดการทำงานได้ดังต่อไปนี้:



การเจาะบัน: สำหรับการขันสกรูและการเจาะเหล็ก ไม้ และพลาสติก



การเจาะกระแทก: สำหรับการเจาะคอนกรีตและปูน



เฉพาะการเจาะตอกเท่านั้น: สำหรับการสกัดการฉากชนิดเบา และการเจาะทำลาย ในโหมดนี้สามารถใช้เครื่องมือเป็นตัวงัดดอกสว่านที่ติดขัดอยู่ออกได้อีกด้วย



การหมุนดอกสว่าน: ตำแหน่งที่ไม่มีการทำงาน ใช้โหมดนี้เฉพาะสำหรับการหมุนดอกสกัดปากแบนเข้าในตำแหน่งที่ต้องการ

1. การเลือกโหมดการทำงาน ให้กดล็อคคิรภัย (e) แล้วหมุนสวิตช์ปรับโหมด (d) จนกระทั่งเครื่องหมายอยู่ตรงสัญลักษณ์ของโหมดที่ต้องการ

2. ปลดลอคอินทรีย์ และตรวจสอบสวิตช์ปรับโหมดว่าเข้าอยู่ในตำแหน่งดีแล้ว



คำเตือน: ห้ามเลือกโหมดการทำงานในขณะที่เครื่องมือกำลังทำงานอยู่

การกำหนดตำแหน่งของดอกสกัด

ดอกสกัดสามารถกำหนดและลอคตำแหน่งได้ถึง 51 ตำแหน่ง

1. หมุนสวิตช์ปรับโหมด (d) จนกระทั่งเครื่องหมายอยู่ตรงกับสัญลักษณ์การหมุนดอกสว่าน
2. หมุนดอกสกัดในตำแหน่งที่ต้องการ
3. ตั้งสวิตช์ปรับโหมด (d) ไปที่ตำแหน่งการเจาะตอกเท่านั้น
4. บิดดอกสกัดจนกระทั่งดอกสกัดเข้าลอคในตำแหน่ง

การใส่และการถอดประกอบอุปกรณ์เสริม SDS Plus® (ภาพ 3)

เครื่องมือนี้ใช้อุปกรณ์เสริม SDS Plus® (โปรดดูรอบเล็กในภาพ 3 ซึ่งแสดงภาพตัดขวางของก้านดอกสว่าน SDS Plus®) ขอแนะนำให้อุปกรณ์เสริมมาตรฐานระดับมืออาชีพเท่านั้น

1. ทำความสะอาดและหล่อลื่นก้านดอกสว่าน
2. สอดก้านดอกสว่านเข้าในที่จับอุปกรณ์/ปลอกลอค (f)
3. กดดอกสว่านลง ค่อยๆ หมุนดอกสว่านจนกระทั่งเข้าพอดีในช่อง
4. ลองดึงดอกสว่านออกเพื่อตรวจสอบว่าดอกสว่านลอคอยู่ในตำแหน่งถูกต้องแล้ว สำหรับคุณสมบัติการเจาะตอก ดอกสว่านจะต้องเคลื่อนตามแนวแกนได้หลายเซนติเมตรเมื่อลอคอยู่ในตัวจับอุปกรณ์
5. การถอดประกอบดอกสว่าน ให้ดึงตัวจับอุปกรณ์/ปลอกลอค (f) กลับ แล้วดึงดอกสว่านออก



คำเตือน: สวมถุงมือขณะเปลี่ยนอุปกรณ์เสริมเสมอ ชิ้นส่วนโลหะบนเครื่องมือและอุปกรณ์เสริมอาจร้อนมากในระหว่างการทำงาน

การติดตั้งมือจับเสริมด้านข้าง (ภาพ 4)

มือจับเสริมด้านข้าง (i) สามารถติดตั้งได้ทั้งสำหรับผู้ใช้นัดมือซ้ายและมือขวา



คำเตือน: ห้ามใช้เครื่องมือโดยไม่มีมือจับเสริมด้านข้างประกอบอยู่อย่างถูกต้อง

1. คลายมือจับเสริมด้านข้าง
2. **สำหรับผู้ใช้นัดมือขวา:** เลื่อนตัวยึดมือจับเสริมด้านข้างไปบนปลอกหมุนซึ่งอยู่ด้านหลังตัวจับอุปกรณ์ให้มือจับอยู่ด้านซ้าย

สำหรับผู้ใช้นัดมือซ้าย: เลื่อนตัวยึดมือจับเสริมด้านข้างไปบนปลอกหมุนซึ่งอยู่ด้านหลังตัวจับอุปกรณ์ให้มือจับอยู่ด้านขวา

3. หมุนมือจับเสริมด้านข้างไปยังตำแหน่งที่ต้องการแล้วขันมือจับให้แน่น

การปรับตั้งความลึกของการเจาะ (ภาพ 5)

1. ใส่ดอกสว่านที่ต้องการตามวิธีที่อธิบายข้างต้น
2. กดตัวยึดก้านปรับระยะการเจาะ (j) ค้างไว้
3. สอดก้านปรับระยะการเจาะ (h) ผ่านช่องที่อยู่ในตัวยึดก้านปรับระยะการเจาะ
4. ปรับตั้งความลึกของการเจาะตามที่แสดงในภาพ
5. ปลอยตัวยึดก้านปรับระยะการเจาะ

ปุ่มเลื่อนเดินหน้า/ถอยหลัง (ภาพ 6)

1. ดันปุ่มเลื่อนเดินหน้า/ถอยหลัง (c) ไปทางด้านซ้าย หากต้องการให้ดอกสว่านหมุนเดินหน้า (ไปทางขวา) ดูลูกศรบนเครื่องมือ
2. ดันปุ่มเลื่อนเดินหน้า/ถอยหลัง (c) ไปทางด้านขวา หากต้องการให้ดอกสว่านหมุนย้อนกลับ (ไปทางซ้าย)



คำเตือน: รอจนกระทั่งมอเตอร์หยุดนิ่งก่อนเปลี่ยนทิศทางการหมุนทุกครั้ง

การติดตั้งอะแดปเตอร์ตัวจับดอกสว่านและตัวจับดอกสว่าน (มีจำหน่ายต่างหาก)

1. ขันสกรูตัวจับดอกสว่านบนปลายด้านที่มีเกลียวของอะแดปเตอร์ตัวจับดอกสว่าน
2. ใส่ตัวจับดอกสว่านและอะแดปเตอร์สำหรับเชื่อมต่อเข้ากับเครื่องมือ เช่นเดียวกับการใส่ดอกสว่าน SDS Plus® มาตรฐาน
3. การถอดตัวจับดอกสว่าน ให้ทำเช่นเดียวกับการถอดดอกสว่าน SDS Plus® มาตรฐาน



คำเตือน: ห้ามใช้ตัวจับดอกสว่านมาตรฐานในโหมดการเจาะกระแทก

โปรดติดต่อตัวแทนจำหน่ายหากต้องการข้อมูลเพิ่มเติมเกี่ยวกับอุปกรณ์เสริมที่เหมาะสม

การเปลี่ยนฟากันฝุ่น (ภาพ 3)

ฟากันฝุ่น (g) ช่วยป้องกันฝุ่นไม่ให้เข้าไปในระบบกลไกของเครื่องมือ ฟากันฝุ่นที่สึกหรอจะต้องได้รับการเปลี่ยนโดยทันที

1. ดึงตัวจับอุปกรณ์/ปลอกลอค (f) กลับ แล้วดึงฟากันฝุ่น (g) ออก
2. ใส่ฟากันฝุ่นชิ้นใหม่เข้าแทนที่
3. ปลอยตัวจับอุปกรณ์/ปลอกลอค

การใช้งานเครื่อง

วิธีการใช้เครื่อง



คำเตือน:

- ทำตามคำแนะนำด้านความปลอดภัยและข้อกำหนดที่ให้เสมอ
- ระวังตำแหน่งของระบบท่อน้ำและสายไฟ
- ออกแรงกดไปยังเครื่องมือเพียงเบาๆ (ประมาณ 5 กก.) การออกแรงกดมากเกินไป ไม่ได้ช่วยให้สามารถเจาะได้เร็วขึ้น แต่ยังเป็นการลดประสิทธิภาพของเครื่องมือ และทำให้เครื่องมืออายุการใช้งานสั้นลงอีกด้วย
- ห้ามเจาะลึกเกินไป เพื่อป้องกันฝากันฝุ่น ชำรุดเสียหาย
- จับเครื่องมือด้วยมือทั้งสองข้างให้แน่น และอยู่ในท่ายืนที่มั่นคง ใช้งานเครื่องมือโดยมีมือจับเสริมด้านข้างติดตั้งอย่างถูกต้องเสมอ

ตำแหน่งของมือที่ถูกต้อง



คำเตือน: เพื่อลดความเสี่ยงจากการได้รับบาดเจ็บสาหัส จะต้องจับเครื่องมือให้แน่นทุกครั้ง เพื่อในกรณีที่เกิดการตอบสนองขึ้นแบบทันทีทันใด

ตำแหน่งของการจับที่ถูกต้องคือ มือหนึ่งอยู่บนมือจับเสริมด้านข้าง (i) อีกมือหนึ่งอยู่บนมือจับตัวหลัก (m)

การใช้คลัตช์มากเกินไป

หากดอกสว่านติดขัดหรือไม่อาจขยับได้ แสดงว่าตัวขับเคลื่อนของดอกสว่านถูกขัดจังหวะการทำงานเนื่องจากคลัตช์ทำงานหนักเกินไป เพื่อเตรียมพร้อมรับแรงตืดที่อาจเกิดขึ้น ให้จับเครื่องมือด้วยมือทั้งสองข้างให้แน่น และอยู่ในท่ายืนที่มั่นคง

การเปิดและปิดสวิตช์ (ภาพ 1)

1. เปิดเครื่องมือให้ทำงานได้โดยการกดสวิตช์ปรับระดับความเร็ว (a) แรงกดบนสวิตช์ปรับระดับความเร็วจะเป็นตัวกำหนดระดับความเร็วของเครื่องมือ
2. ปิดเครื่องมือโดยการปล่อยสวิตช์ปรับระดับความเร็ว
3. ล็อคเครื่องมือให้อยู่ตำแหน่งปิดโดยดันปุ่มเลื่อนเดินหน้า/ถอยหลัง (c) ไปที่ตำแหน่งกลาง

การเจาะกระแทก (ภาพ 1)

การเจาะโดยใช้ดอกสว่านชนิดแข็ง

1. ตั้งสวิตช์ปรับโหมด (d) ไปที่ตำแหน่งการเจาะกระแทก
2. ใส่ดอกสว่านที่เหมาะสม
หมายเหตุ: เพื่อให้ได้ผลดีที่สุด ควรใช้ดอกสว่านหัวคาร์ไบด์คุณภาพสูง
3. ปรับตั้งมือจับเสริมด้านข้าง (i) ตามที่ต้องการ
4. ถ้าจำเป็น ให้ปรับตั้งความลึกของการเจาะ
5. ทำเครื่องหมายจุดที่ต้องการเจาะรู
6. แตะดอกสว่านลงบนจุดนั้น แล้วเปิดสวิตช์เครื่องมือ
7. ปิดสวิตช์เครื่องมือทุกครั้งเมื่อทำงานเสร็จแล้วและก่อนดึงปลั๊กออก

การเจาะโดยใช้ดอกสว่านเจาะคว้าน

1. ตั้งสวิตช์ปรับโหมด (d) ไปที่ตำแหน่งการเจาะกระแทก
2. ปรับตั้งมือจับเสริมด้านข้าง (i) ตามที่ต้องการ
3. ใส่ดอกสว่านเจาะคว้านที่เหมาะสม
4. ประกอบดอกสว่านนำศูนย์เข้ากับดอกสว่านเจาะคว้าน
5. แตะดอกสว่านนำศูนย์ลงบนจุดที่กำหนด แล้วกดสวิตช์ปรับระดับความเร็ว (a) เจาะเข้าไปจนกระทั่งดอกสว่านเจาะคว้านทะลุผ่านเข้าไปในคอนกรีตประมาณ 1 ซม.
6. หยุดเจาะ แล้วถอดดอกสว่านนำศูนย์ออก ใส่ดอกสว่านเจาะคว้านกลับเข้าไปในช่องเจาะ แล้วเริ่มเจาะต่อไป
7. เมื่อเจาะผ่านโครงสร้างที่หนักกว่าความลึกของดอกสว่านเจาะคว้าน ให้ถอนออกจากช่องทรงกระบอกในคอนกรีตหรือแกนคว้านภายในดอกสว่านที่ช่วงชั๊กปกติ เพื่อหลีกเลี่ยงไม่ให้คอนกรีตรอบๆ ช่องที่เจาะมีการแตกออกก่อนอื่น ให้ใช้ดอกสว่านนำศูนย์เจาะรูตรงกลางจนทะลุผ่านโครงสร้าง จากนั้นเจาะแกนคว้านเพียงครึ่งหนึ่งเข้ามาจากแต่ละด้าน
8. ปิดสวิตช์เครื่องมือทุกครั้งเมื่อทำงานเสร็จแล้วและก่อนดึงปลั๊กออก

การเจาะบ้น (ภาพ 1)

1. ตั้งสวิตช์ปรับโหมด (d) ไปที่ตำแหน่งการเจาะบ้น
2. ติดตั้งอะแดปเตอร์ตัวจับดอกสว่าน/ชุดตัวจับดอกสว่าน
3. ดำเนินการเช่นเดียวกับการเจาะกระแทก



คำเตือน: ห้ามใช้ตัวจับดอกสว่านมาตรฐานในโหมดการเจาะกระแทก

การขันสกรู (ภาพ 1)

1. ตั้งสวิตช์ปรับโหมด (d) ไปที่ตำแหน่งการเจาะปั่น
2. เลือกทิศทางการหมุน
3. ใส่อะแดปเตอร์ SDS Plus[®] ชนิดพิเศษสำหรับการขันสกรู เพื่อใช้งานกับหัวขันสกรูทุกเหลี่ยม
4. ใส่หัวขันสกรูที่เหมาะสม เมื่อหมุนสกรูหัวผ่า ให้ใช้ดอกสว่านที่มีปลอกหยาบทุกครั้ง
5. ค่อยๆ กดสวิตช์ปรับระดับความเร็ว (A) เพื่อป้องกันไม่ให้หัวสกรูชำรุดเสียหาย ในการหมุนทิศทางย้อนกลับ (ไปทางซ้าย) ความเร็วของเครื่องมือจะลดลงโดยอัตโนมัติเพื่อให้ง่ายต่อการถอดสกรู
6. เมื่อสกรูสอดผ่านชิ้นงานแล้ว ให้ปล่อยสวิตช์ปรับระดับความเร็ว ทั้งนี้เพื่อป้องกันไม่ให้หัวสกรูจมเข้าไปในชิ้นงาน

การสกัดและการถาก (ภาพ 1)

1. ตั้งสวิตช์ปรับโหมด (d) ไปที่ตำแหน่งการเจาะตอกเท่านั้น
2. ใส่หัวสกัดที่เหมาะสม แล้วหมุนหัวสกัดด้วยมือเพื่อลัดเข้าในตำแหน่งใดตำแหน่งหนึ่งใน 51 ตำแหน่ง
3. ปรับตั้งมือจับเสริมด้านข้าง (i) ตามที่ต้องการ
4. เปิดสวิตช์เครื่องมือและเริ่มทำงาน
5. ปิดสวิตช์เครื่องมือทุกครั้งเมื่อทำงานเสร็จแล้วและก่อนดึงปลั๊กออก



คำเตือน:

- ห้ามใช้เครื่องมือนี้เพื่อผสมหรือบีบของเหลวไวไฟหรือที่สามารถระเหยได้ (เช่น เบนซิน แอลกอฮอล์ เป็นต้น)
- ห้ามผสมหรือกวนของเหลวที่ติดป้ายฉลากของเหลวไวไฟ

การบำรุงรักษา

เครื่องมือไฟฟ้า DEWALT ออกแบบมาเพื่อให้สามารถใช้งานได้ยาวนานต่อเนื่องด้วยการบำรุงรักษาที่น้อยที่สุด การทำงานที่สร้างความพึงพอใจอย่างต่อเนื่องจะขึ้นอยู่กับการดูแลรักษาที่เหมาะสมและการทำความสะอาดอย่างสม่ำเสมอ



คำเตือน: เพื่อลดความเสี่ยงจากการบาดเจ็บ ให้ปิดเครื่องมือและถอดปลั๊กเครื่องมือออกจากแหล่งจ่ายไฟก่อนการประกอบและถอดอุปกรณ์เสริม ก่อนการปรับแต่งหรือเปลี่ยนชุดติดตั้ง หรือขณะทำการซ่อมแซม สวิตช์ปรับระดับความเร็วต้องอยู่ในตำแหน่ง “ปิด” การปล่อยเปิดเครื่องโดยไม่ตั้งใจอาจทำให้เกิดการบาดเจ็บได้

- เครื่องมือนี้ผู้ใช้ไม่สามารถซ่อมเองได้ โปรดนำเครื่องมือไปยังศูนย์บริการ DEWALT ที่ได้รับอนุญาต เมื่อใช้งานเครื่องมือมาแล้วประมาณ 40 ชั่วโมง หากมีปัญหาเกิดขึ้นก่อนกำหนดดังกล่าว ให้ติดต่อศูนย์บริการ DEWALT ที่ได้รับอนุญาต
- เครื่องมือจะไม่ปิดสวิตช์เองโดยอัตโนมัติ หากแปรงถ่านชำรุดสึกหรอ

แปรงถ่านมอเตอร์

DEWALT ใช้ระบบแปรงถ่านขั้นสูงซึ่งจะหยุดสว่านโดยอัตโนมัติเมื่อถ่านหมด ซึ่งจะป้องกันไม่ให้เกิดการชำรุดเสียหายร้ายแรงกับมอเตอร์ ชุดประกอบถ่านเก็บไฟชุดใหม่มีจำหน่ายที่ศูนย์บริการ DEWALT ที่ได้รับอนุญาต ใช้อะไหล่ที่เหมือนกันทุกครั้ง



การหล่อลื่น

ไม่ต้องใช้สารหล่อลื่นเพิ่มเติมกับเครื่องมือไฟฟ้านี้

อุปกรณ์เสริมและอุปกรณ์ประกอบที่ใช้จะต้องทำการหล่อลื่นเป็นประจำ ในบริเวณรอบๆ จุดต่อของอุปกรณ์ SDS Plus[®]



การทำความสะอาด



คำเตือน: เป่าสิ่งสกปรกและฝุ่นละอองที่สะสมออกจากตัวเครื่องเป็นประจำด้วยลมแห้ง เนื่องจากสิ่งสกปรกมักจะสะสมอยู่ภายในและรอบๆ ช่องระบายอากาศ สวมอุปกรณ์ป้องกันดวงตาและหน้ากากกันฝุ่นที่ได้มาตรฐานในขณะดำเนินการขั้นตอนนี้



คำเตือน: ห้ามใช้สารที่เป็นตัวทำละลายหรือสารเคมีที่มีฤทธิ์กัดกร่อนรุนแรงอื่นๆ ทำความสะอาดชิ้นส่วนที่ไม่ใช่โลหะของเครื่องมือ สารเคมีเหล่านี้อาจส่งผลต่อวัสดุที่ใช้ในชิ้นส่วนเหล่านี้ ใช้เฉพาะผ้าชุบน้ำอุ่นๆ เท่านั้น อย่าให้มีของเหลวค้างอยู่ในเครื่อง ห้ามจุ่มส่วนใดๆ ของเครื่องมือลงในของเหลว

อุปกรณ์เสริม



คำเตือน: เนื่องจากอุปกรณ์เสริมอื่นนอกเหนือจากที่ DEWALT มีจำหน่าย ไม่ได้ผ่านการทดสอบร่วมกับผลิตภัณฑ์นี้ จึงอาจก่อให้เกิดอันตรายได้หากใช้อุปกรณ์เสริมดังกล่าวร่วมกับเครื่องมือนี้ เพื่อเป็นการลดความเสี่ยงจากการได้รับบาดเจ็บ ให้ใช้อุปกรณ์เสริมเฉพาะที่ DEWALT แนะนำให้ใช้ร่วมกับผลิตภัณฑ์เท่านั้น

ภาษาไทย

ดอกสว่านและดอกสกัด SDS Plus® ชนิดต่างๆ มีจำหน่าย
เป็นอุปกรณ์เสริม

โปรดติดต่อตัวแทนจำหน่ายหากต้องการข้อมูลเพิ่มเติมเกี่ยวกับ
อุปกรณ์เสริมที่เหมาะสม

การปกป้องสิ่งแวดล้อม



การเก็บรวบรวมแบบคัดแยก ห้ามทิ้งผลิตภัณฑ์
นี้ร่วมกับขยะในครัวเรือนปกติ

หากวันหนึ่งคุณพบว่า จำเป็นต้องเปลี่ยนผลิตภัณฑ์ DEWALT
ของคุณ หรือถ้าเครื่องมือไม่เป็นประโยชน์สำหรับคุณอีก
ต่อไป อย่ทิ้งผลิตภัณฑ์นี้ร่วมกับขยะในครัวเรือน จัดการกับ
ผลิตภัณฑ์นี้เพื่อการเก็บรวบรวมแบบคัดแยก



การเก็บรวบรวมแบบคัดแยกสำหรับบรรจุภัณฑ์
และผลิตภัณฑ์ที่ใช้แล้วทำให้สามารถรีไซเคิล
วัสดุและนำมาใช้งานอีกครั้ง การนำวัสดุรีไซเคิล
มาใช้อีกครั้งจะช่วยป้องกันมลพิษต่อสิ่งแวดล้อม
และลดความต้องการวัตถุดิบ

ตามกฎหมายที่เกี่ยวข้องอาจมีการจัดเตรียมสถานที่สำหรับการ
เก็บรวบรวมแบบคัดแยกอุปกรณ์ไฟฟ้าที่ใช้ภายในครัวเรือนไว้
ณ แหล่งรับขยะของเทศบาล หรืออาจมีการรับอุปกรณ์ใช้แล้ว
จากผู้ค้าปลีกในกรณีที่คุณซื้อผลิตภัณฑ์ชิ้นใหม่

DEWALT พร้อมให้ความสะดวกในการเก็บรวบรวมและ
รีไซเคิลผลิตภัณฑ์ DEWALT เมื่อผลิตภัณฑ์เหล่านั้นหมดอายุ
การใช้งาน หากต้องการรับบริการดังกล่าวจากเรา โปรดส่ง
ผลิตภัณฑ์ของคุณคืนศูนย์บริการที่ได้รับอนุญาต ซึ่งจะทำ
หน้าที่เป็นตัวแทนของเราในการเก็บรวบรวมผลิตภัณฑ์

คุณสามารถตรวจเช็คศูนย์บริการใกล้บ้านที่ได้รับอนุญาต
โดยติดต่อไปที่สำนักงาน DEWALT ประจำพื้นที่ ตามที่อยู่
ที่ให้ไว้ในคู่มือเล่มนี้ หรือ คุณอาจตรวจเช็ครายชื่อศูนย์บริการ
DEWALT ที่ได้รับอนุญาต รวมทั้งรายละเอียดต่างๆ ของ
บริการหลังการขายได้ทางอินเทอร์เน็ต ที่: www.2helpU.com