

DEWALT®

www.DEWALT.com

D28710

Fig. A

0000 00-00

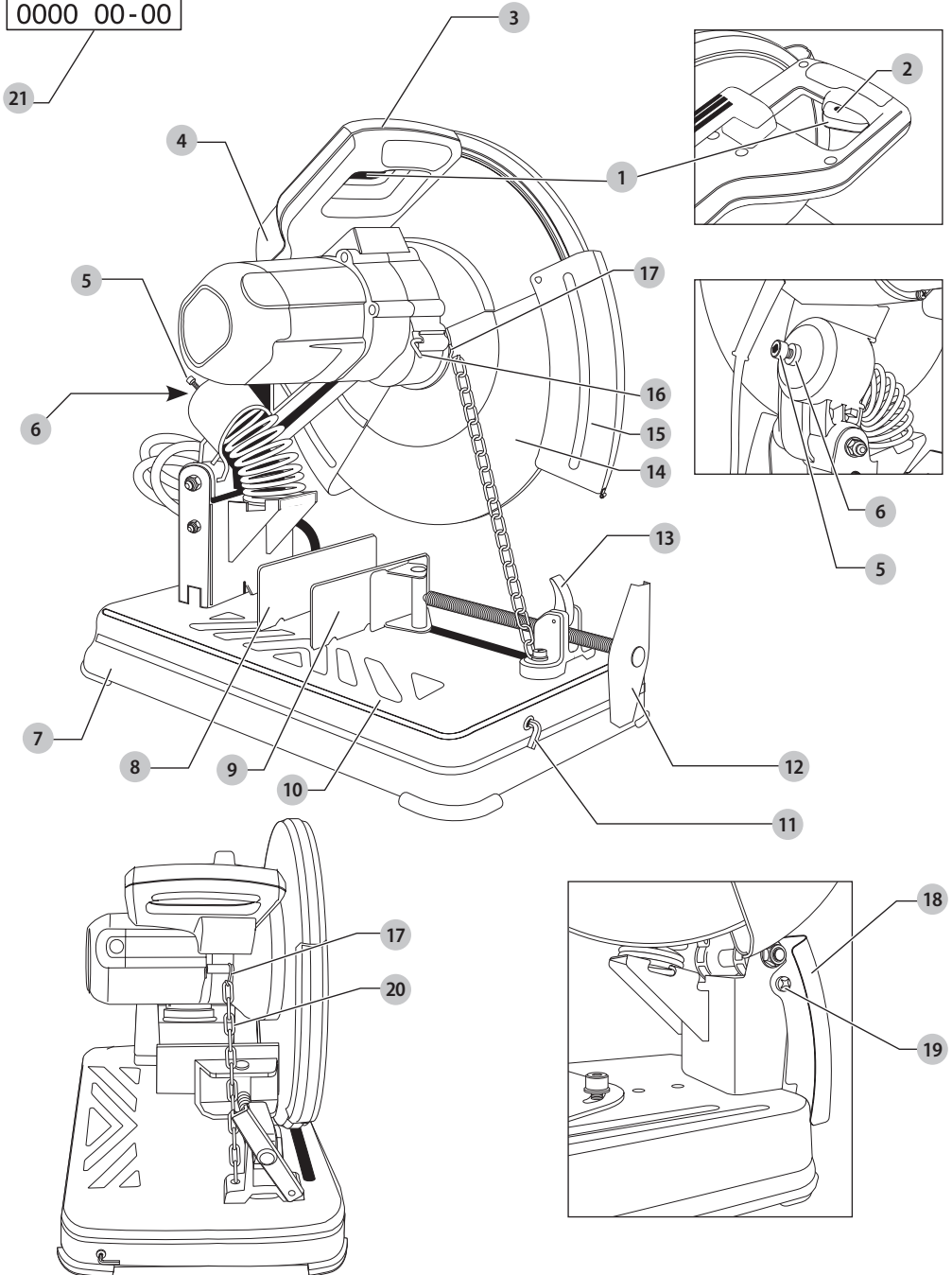


Fig. B

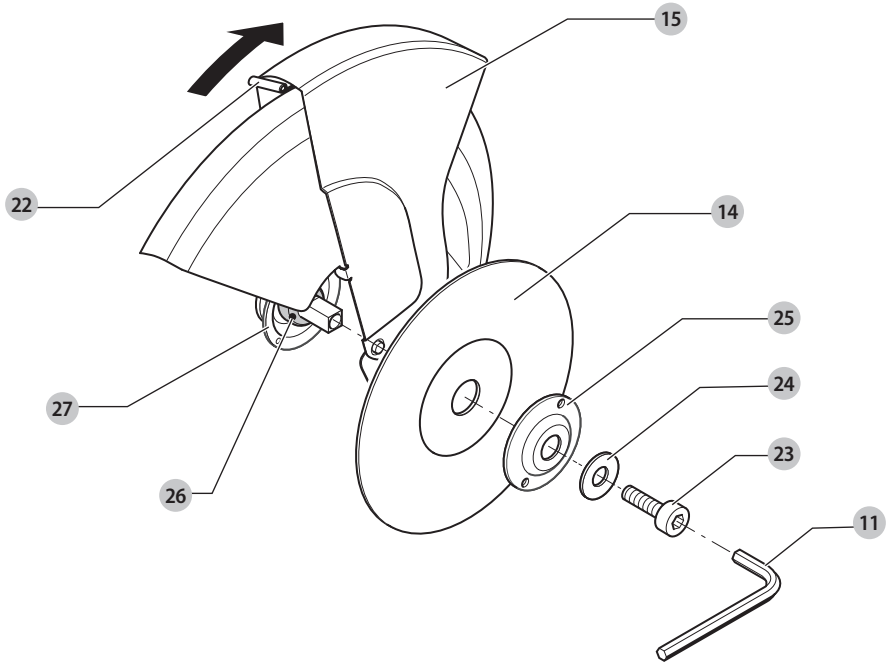


Fig. C1

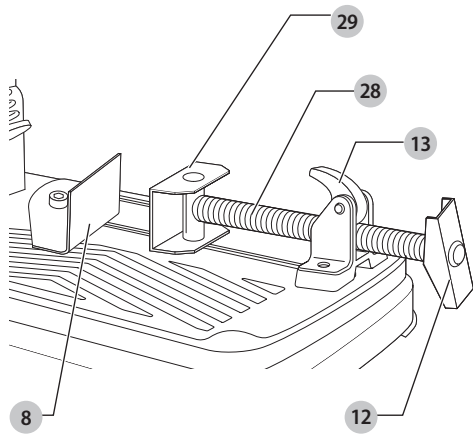


Fig. C2

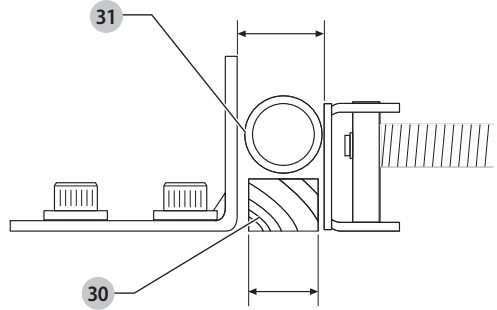


Fig. C3

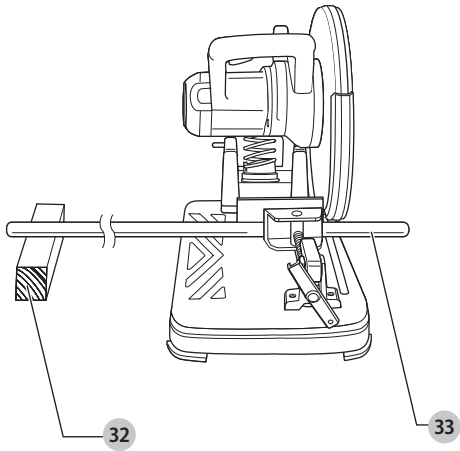


Fig. C4

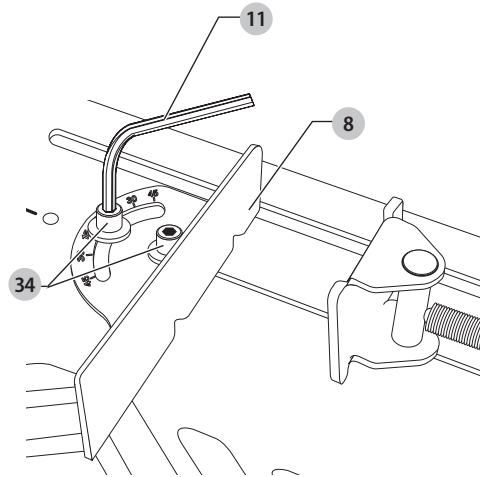


Fig. D

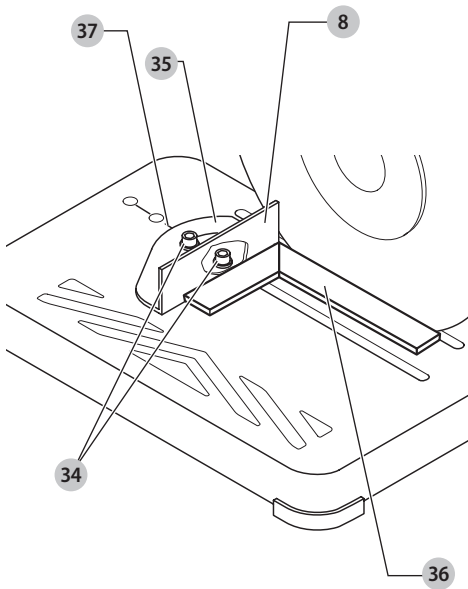


Fig. E

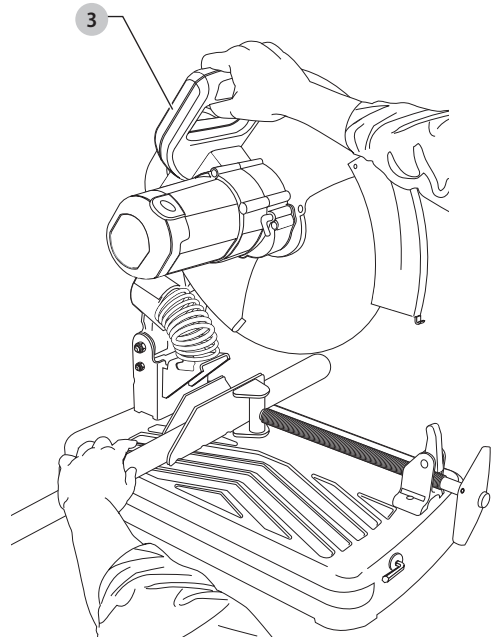


Fig. F

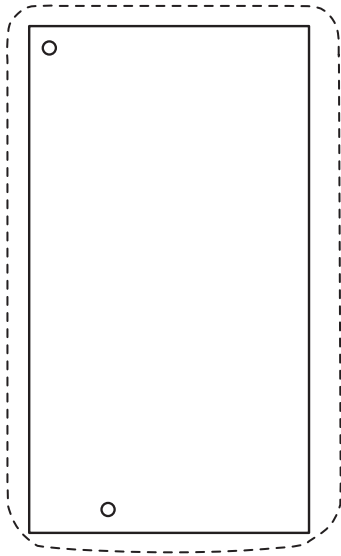
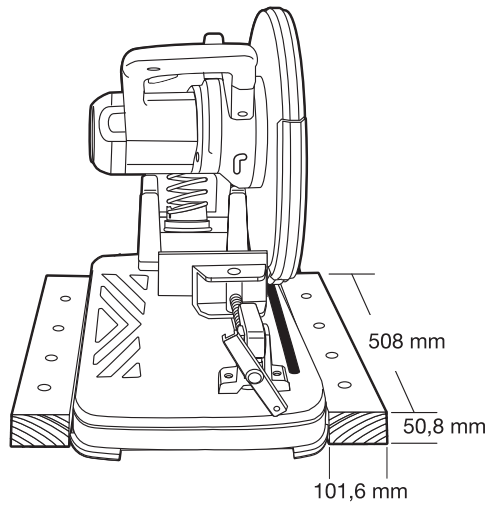


Fig. G



CHOPSAW

D28710

Congratulations!

You have chosen a DeWALT tool. Years of experience, thorough product development and innovation make DeWALT one of the most reliable partners for professional power tool users.

Technical Data

		D28710
Voltage	V _{ac}	230
UK & Ireland	V _{ac}	115
Type		1
Power input	W	2200
No-load speed	min ⁻¹	3800
Min. peripheral speed cutting disc	m/s	80
Disc diameter	mm	355
Disc bore	mm	25.4
Disc body thickness	mm	3.1
Type of cutting disc		straight, non-recessed
Cross-cutting capacity at 90°		
circular	mm	130
square	mm	120 x 120
rectangular	mm	115 x 130
angular	mm	137 x 137
Cross-cutting capacity at 45°		
circular	mm	115
square	mm	107 x 107
rectangular	mm	115 x 107
angular	mm	115 x 115
Weight	kg	17.0

Noise values and vibration values (triax vector sum) according to EN61029:

		D28710	D28710
		230V	115V
L _{pa} (emission sound pressure level)	dB(A)	92.3	92.7
L _{wa} (sound power level)	dB(A)	105.3	105.7
K (uncertainty for the given sound level)	dB(A)	3.0	3.0
Vibration emission value a _h =	m/s ²	3.3	1.8
Uncertainty K =	m/s ²	1.5	1.5

The vibration emission level given in this information sheet has been measured in accordance with a standardised test given in EN61029 and may be used to compare one tool with another. It may be used for a preliminary assessment of exposure.



WARNING: The declared vibration emission level represents the main applications of the tool. However if the tool is used for different applications, with different accessories or poorly maintained, the vibration emission may differ. This may significantly increase the exposure level over the total working period.

An estimation of the level of exposure to vibration should also take into account the times when the tool is switched off or when it is running but not actually doing the job. This may significantly reduce the exposure level over the total working period.

Identify additional safety measures to protect the operator from the effects of vibration such as: maintain the tool and the accessories, keep the hands warm, organisation of work patterns.

EC-Declaration of Conformity

Machinery Directive



Chopsaw D28710

DeWALT declares that these products described under **Technical Data** are in compliance with:

2006/42/EC, EN61029-1:2009 +A11:2010, EN61029-2-10:2010 +A11:2013.

These products also comply with Directive 2014/30/EU and 2011/65/EU. For more information, please contact DeWALT at the following address or refer to the back of the manual.

The undersigned is responsible for compilation of the technical file and makes this declaration on behalf of DeWALT.

Markus Rempel
Director Engineering
DeWALT, Richard-Klinger-Straße 11,
D-65510, Idstein, Germany
26.03.2018



WARNING: To reduce the risk of injury, read the instruction manual.

Definitions: Safety Guidelines

The definitions below describe the level of severity for each signal word. Please read the manual and pay attention to these symbols.



DANGER: Indicates an imminently hazardous situation which, if not avoided, **will** result in **death** or **serious injury**.



WARNING: Indicates a potentially hazardous situation which, if not avoided, **could** result in **death or serious injury**.



CAUTION: Indicates a potentially hazardous situation which, if not avoided, **may** result in **minor or moderate injury**.

NOTICE: Indicates a practice **not related to personal injury** which, if not avoided, **may** result in **property damage**.



Denotes risk of electric shock.



Denotes risk of fire.

Safety Instructions

When using power tools, always observe the safety regulations applicable in your country to reduce the risk of fire, electric shock and personal injury.



WARNING: To reduce the risk of injury, read the instruction manual.

General

1) Keep work area clean

- Cluttered areas and benches can cause accidents.

2) Consider work area environment

- Do not expose the tool to rain. Do not use the tool in damp or wet conditions. Keep the work area well lit (250–300 Lux). Do not use the tool where there is a risk of causing fire or explosion, e.g. in the presence of flammable liquids and gases.

3) Keep children away

- Do not allow children, visitors or animals to come near the work area or to touch the tool or the mains cable.

4) Dress properly

- Do not wear loose clothing or jewellery, as these can be caught in moving parts. Wear protective hair covering to keep long hair out of the way. When working outdoors, preferably wear suitable gloves and non-slip footwear.

5) Personal protection

- Always use safety glasses. Use a face or dust mask whenever the operations may produce dust or flying particles. If these particles might be considerably hot, also wear a heat-resistant apron. Wear ear protection at all times. Wear a safety helmet at all times.

6) Guard against electric shock

- Prevent body contact with earthed surfaces (e.g. pipes, radiators, cookers and refrigerators). When using the tool under extreme conditions (e.g. high humidity, when metal swarf is being produced, etc.), electric safety can be improved by inserting an isolating transformer or a (FI) earth-leakage circuit-breaker.

7) Do not overreach

- Keep proper footing and balance at all times.

8) Stay alert

- Watch what you are doing. Use common sense. Do not operate the tool when you are tired.

9) Secure workpiece

- Use clamps or a vice to hold the workpiece. It is safer and it frees both hands to operate the tool.

10) Connect dust extraction equipment

- If devices are provided for the connection of dust extraction and collection facilities, ensure that these are connected and properly used.

11) Remove adjusting keys and wrenches

- Always check that adjusting keys and wrenches are removed from the tool before operating the tool.

12) Extension cables

- Before use, inspect the extension cable and replace if damaged. When using the tool outdoors, only use extension cables intended for outdoor use and marked accordingly.

13) Use appropriate tool

- The intended use is described in this instruction manual. Do not force small tools or attachments to do the job of a heavy-duty tool. The tool will do the job better and safer at the rate for which it was intended. Do not force the tool.



WARNING: The use of any accessory or attachment or performance of any operation with this tool other than those recommended in this instruction manual may present a risk of personal injury.

14) Check for damaged parts

- Before use, carefully check the tool and mains cable for damage. Check for misalignment and seizure of moving parts, breakage of parts, damage to guards and switches and any other conditions that may affect its operation. Ensure that the tool will operate properly and perform its intended function. Do not use the tool if any part is damaged or defective. Do not use the tool if the switch does not turn it on and off. Have any damaged or defective parts replaced by an authorised DEWALT repair agent. Never attempt any repairs yourself.

15) Unplug tool

- Switch off and wait for the tool to come to a complete standstill before leaving it unattended. Unplug the tool when not in use, before changing any parts of the tools, accessories or attachments and before servicing.

16) Avoid unintentional starting

- Do not carry the tool with a finger on the switch. Be sure that the tool is switched off before plugging in.

17) Do not abuse cord

- Never carry the tool by its cord. Never pull the cord to disconnect from the socket. Keep the cord away from heat, oil and sharp edges.

18) Store idle tools

- When not in use, tools must be stored in a dry place and locked up securely, out of reach of children.

19) Maintain tools with care

- Keep the tools in good condition and clean for better and safer performance. Follow the instructions for maintenance and changing accessories. Keep all handles and switches dry, clean and free from oil and grease.

20) Repairs

- This tool is in accordance with the relevant safety regulations. Have your tool repaired by an authorised DEWALT repair agent. Repairs should only be carried out by qualified persons using original spare parts; otherwise this may result in considerable danger to the user.

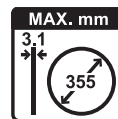
Additional Safety Instructions for Chopsaws

- Always wear regular working gloves while operating this tool.
- Keep hands away from the cutting disc. Never cut workpieces that require manual action closer than 15 cm from the rotating cutting disc.
- Do not cut workpieces less than 1.2 mm in thickness when using the cutting disc supplied with this tool.
- Do not operate this tool without guards in place.
- Do not perform any operation freehand. Use the material clamp to clamp the workpiece securely.
- Never reach in the back of the cutting disc.
- Always position the tool on a flat, stable surface that is well maintained and free of loose materials, e.g. chips and cut-offs.
- Before using, inspect the cutting disc for cracks or flaws. Discard the cutting disc if a crack or flaw is evident or if it is otherwise defective.
- Make sure the cutting disc is not contacting the workpiece before the tool is switched on.
- In operation, avoid bouncing the cutting disc or giving it rough treatment. If this occurs, stop the tool and inspect the cutting disc.
- Do not operate the tool while standing in line with the cutting disc. Keep other persons away from the work area.
- Be aware of cutting chips and the material being cut. They may be sharp and hot. Allow cut off parts to cool before handling.
- The spark deflector becomes hot during use. Avoid touching or adjusting the spark deflector immediately after operation.
- Switch off the tool and wait for the cutting disc to stop before moving the workpiece or changing the settings.
- After switching off, never attempt to stop the cutting disc by pressing against the side of the disc.
- Do not use cutting fluids. These fluids could ignite or cause electrical shock.
- Check that the workpiece is properly supported.
- Use the cutting discs recommended by the manufacturer only.

- The max. allowable speed of the cutting disc must always be equal to or greater than the no-load speed of the tool specified on the nameplate.
- Do not use circular saw blades or any other toothed blades with this tool. Serious injury may result.
- Do not use cutting discs that do not conform to the dimensions stated in the **technical data**.
- Ensure that the abrasive cutting disc is correctly fitted and tightened before use.
- Read the operating instructions supplied by the wheel manufacturer.
- Let the tool run at no-load in a safe position for at least 30 seconds. If there is a considerable vibration or if any other defect occurs, stop the tool and check it to determine the cause.
- Do not use cutting discs for side grinding.
- Do not cut concrete, brick, tile or ceramic materials.
- Do not cut wood, plastic or synthetic materials.
- Do not cut cast-iron materials.
- Never cut magnesium materials.
- Do not cut electrically live material.
- Use this tool in a well-ventilated area. Do not operate the tool near flammable liquids, gases or dust. Sparks or hot chips from cutting or arcing motor brushes may ignite combustible materials.
- Regularly clear the ventilation slots when working in dusty conditions. If it should become necessary to clean the slots, remember to unplug the tool first.
- Always store cutting discs well-protected and in a dry place, out of reach of children.
- Faults in the machine, including guards or cutting discs, should be reported as soon as they are discovered.
- Only use chop saw wheel of a max. thickness of 3.1 mm and a max. diameter of 355 mm.



WARNING: Use of this tool can generate dust containing chemicals known to cause cancer, birth defects or other reproductive harm. Use appropriate respiratory protection.



- Always secure the workpiece properly before cutting operation. Workpieces longer than 1.0 m shall be supported by suitable additional table, buck or roller table.
- Consider that the wheel continues to rotate after the machine is switched off.
- To prevent loss of control always fix the machine to a bench using screw-clamps or bolts of sufficient length and strength.
- The following factors are of influence to noise production:
 - the material to be cut.
 - the type of the cutting disc.
 - the feed force.



WARNING: Take appropriate measures for the protection of hearing.



WARNING: We recommend the use of a residual current device with a residual current rating of 30mA or less.

Residual Risks

- The following risks are inherent to the use of these machines:
 - Injuries caused by touching the rotating parts.
 - Injuries caused by disruption of the cutting disc.
- These risks are most evident:
 - Within the range of operation.
 - Within the range of the rotating machine parts.
- In spite of the application of the relevant safety regulations and the implementation of safety devices, certain residual risks cannot be avoided. These are:
 - Impairment of hearing.
 - Risk of accidents caused by the uncovered parts of the rotating cutting disc.
 - Risk of injury when changing the disc.
 - Risk of squeezing fingers when opening the guards.

Electrical Safety

The electric motor has been designed for one voltage only. Always check that the power supply corresponds to the voltage on the rating plate.



Your DeWALT tool is double insulated in accordance with EN61029; therefore no earth wire is required.



WARNING: 115 V units have to be operated via a fail-safe isolating transformer with an earth screen between the primary and secondary winding.

If the supply cord is damaged, it must be replaced by a specially prepared cord available through the DeWALT service organisation.

Mains Plug Replacement (U.K. & Ireland Only)

If a new mains plug needs to be fitted:

- Safely dispose of the old plug.
- Connect the brown lead to the live terminal in the plug.
- Connect the blue lead to the neutral terminal.



WARNING: No connection is to be made to the earth terminal.

Follow the fitting instructions supplied with good quality plugs. Recommended fuse: 13 A.

Using an Extension Cable

If an extension cable is required, use an approved 3-core extension cable suitable for the power input of this tool (see **Technical Data**). The minimum conductor size is 1.5 mm²; the maximum length is 30 m.

When using a cable reel, always unwind the cable completely.

Connecting to the Mains

The mains supply to be used for this machine must be equipped with a 16 A cut-out fuse with time delay.

Voltage Drops

Inrush currents cause short-time voltage drops. Under unfavourable power supply conditions, other equipment may be affected.

If the system impedance of the power supply is lower than 0.11 Ω , disturbances are unlikely to occur.

Package Contents

The package contains:

- 1 Chopsaw
- 1 Hex key
- 1 Instruction manual
- Check for damage to the tool, parts or accessories which may have occurred during transport.
- Take the time to thoroughly read and understand this manual prior to operation.

Markings on Tool

The following pictograms are shown on the tool:



Read instruction manual before use.



Wear ear protection.



Wear eye protection.



Bore diameter.

Date Code Position (Fig. A)

The date code **21**, which also includes the year of manufacture, is printed into the housing.

Example:

2018 XX XX

Year of Manufacture

Description (Fig. A)



WARNING: Never modify the power tool or any part of it. Damage or personal injury could result.

- 1 On/off switch
- 2 Padlock hole
- 3 Operating handle
- 4 Carrying handle
- 5 Depth stop bolt
- 6 Lock nut
- 7 Base
- 8 Fence
- 9 Material clamp
- 10 Cutting table
- 11 8 mm hex key
- 12 Handle
- 13 Material clamp lever

- 14 Cutting disc
- 15 Guard
- 16 Spindle lock
- 17 Lock-down hook
- 18 Spark deflector
- 19 Spark deflector screw
- 20 Lock-down chain
- 21 Date code

Intended Use

Your D28710 chop saw has been designed for the cutting of variously shaped steel materials.

DO NOT use under wet conditions or in the presence of flammable liquids or gases.


The D28710 chop saw is a professional power tool.

DO NOT let children come into contact with the tool.

Supervision is required when inexperienced operators use this tool.

- **Young children and the infirm.** This appliance is not intended for use by young children or infirm persons without supervision.
- This product is not intended for use by persons (including children) suffering from diminished physical, sensory or mental abilities; lack of experience, knowledge or skills unless they are supervised by a person responsible for their safety. Children should never be left alone with this product.

ASSEMBLY AND ADJUSTMENTS

 **WARNING:** To reduce the risk of serious personal injury, turn tool off and disconnect tool from power source before making any adjustments or removing/installing attachments or accessories. An accidental start-up can cause injury.


Removing and Fitting a Cutting Disc (Fig. A, B)

1. With the arm in the rest position, use the lip **22** to slide the guard **15** back. Leave the guard retracted (Fig. B).
2. Press and hold down the spindle lock **16** (Fig. A).
3. Rotate the cutting disc **14** until it locks.
4. Using the hex key **11**, remove the bolt **23** by turning counterclockwise and then remove the flat washer **24** and the retaining flange **25** (Fig. B).
5. Check that the spacer **26** is in place against the flange **27**.
6. Replace the cutting disc **14**. Make sure that the new disc is placed onto the spacer **26** in the correct rotational direction.
7. Secure the blade with the retaining flange **25**, the flat washer **24** and the bolt **23**.
8. Move the guard back down and release the spindle lock **16**.
9. Adjust the cutting depth as necessary.

Adjusting the Cutting Depth (Fig. A)

The cutting depth can be adjusted to meet the wear of the cutting disc.


1. Make a dry run with the tool switched off and check for clearance.
2. If adjustment is required, proceed as follows:
 - a. Loosen the lock nut **6** a few turns.
 - b. Turn the depth stop bolt **5** in or out as to achieve the required cutting depth.
 - c. Tighten the lock nut **6**.

 **WARNING:** Always adjust the depth stop to its original position when replacing the cutting disc.

Clamping the Workpiece in Position (Fig. A, C)

The tool is equipped with a material clamp **9** (Fig. A).

1. Pull the lever **13** toward the handle **12** (Fig. C1).
2. Push the clamp shaft **28** forward until the jaw **29** is almost touching the workpiece.
3. Press the lever **13** toward the jaw **29** until it engages with the clamp shaft **28**.
4. Rotate the handle **12** clockwise and clamp the workpiece securely.
5. To release the workpiece, rotate the handle **12** counterclockwise.

 **WARNING:**

- To increase the cutting capacity, place a spacer block **30** under the workpiece **31**. The spacer block should be slightly narrower than the workpiece (Fig. C2).
- Support long workpieces using a piece of wood **32** (Fig. C3). Do not clamp the cut off end **33**.

Quick Travel Feature (Fig. C1)

The clamp has a quick travel feature.

- To release the clamp, rotate the handle **12** one or two turns counterclockwise and pull the lever **13** toward the handle **12**.

Setting the Clamping Position (Fig. C4)

The clamping position can be set to match the cutting disc.

1. Remove the fence bolts **34** using the hex key **11**.
2. Move the fence **8** as required.
3. Re-fit the fence bolts **34** and tighten them to lock the fence **8**.

Adjusting the Angle of Cut (Fig. D)

The tool can be used for mitre cuts up to 45°.

1. Loosen the fence bolts **34** to release the fence **8**.
2. Set the fence **8** to the required angle. The angle can be read on the scale **35**.
3. Tighten the fence bolts **34** to lock the fence **8**.

Checking and Adjusting the Mitre Scale (Fig. A, D)


1. Loosen the fence bolts **34** to release the fence **8** (Fig. D).

- Pull down the arm and lock it in this position using the lock-down chain **20** (Fig. A).
- Place a square **36** against the fence **8** and the left side of the cutting disc creating a perfect 90° (Fig. D). Check that the 0° marking on the scale **35** aligns with the marking on the table **37**.
- Tighten the fence bolts **34** to lock the fence **8**.
- Release the lock-down chain **20** and return the arm to its upper rest position (Fig. A).

Adjusting the Spark Deflector (Fig. A)

- Loosen the screw **19**.
- Set the spark deflector **18** as appropriate.
- Tighten the screw **19**.

Mounting (Fig. F, G)

 **CAUTION:** Tool must be supported on stable, level, non-skid surface to prevent unexpected movement when operating.

Procedure For Permanent Mounting

- Drill two holes 8 mm through the work surface (Fig. F).
- Insert 1/4–20 screws down through the holes in the base and through holes in mounting surface. The approximate length of the screws should be the thickness of the mounting surface plus 102 mm.
- Tighten both screws securely.

Cradle Mounting


- Cut two boards approximately 508 x 50.8 x 101.6 mm wide.
- Place chop saw at desired work location.
- Place boards tightly along side, and nail to work surface (Fig. G).


Prior to Operation

- Install the appropriate cutting disc. Do not use excessively worn discs. The maximum rotation speed of the tool must not exceed that of the cutting disc.
- Make sure the disc rotates in the direction of the arrows on the accessory and the tool.
- Secure the workpiece.
- Always set the spark deflector correctly.



OPERATION

Instructions for Use

-  **WARNING:**
- Always observe the safety instructions and applicable regulations.
 - Do not apply excessive pressure to the tool.
 - Avoid overloading. Should the tool become hot, let it run a few minutes under no-load condition.

 **WARNING:** To reduce the risk of serious personal injury, turn tool off and disconnect tool from power source before making any adjustments or removing/installing attachments or accessories. An accidental start-up can cause injury.

Proper Hand Position (Fig. E)

-  **WARNING:** To reduce the risk of serious personal injury, ALWAYS use proper hand position as shown.
-  **WARNING:** To reduce the risk of serious personal injury, ALWAYS hold securely in anticipation of a sudden reaction.

Proper hand position requires one hand on the operating handle **3**, with the other hand guiding the workpiece.


Performing a Cut (Fig. A)

- Place the material to be cut against the fence **8** and secure using the material clamp **9**.
- Turn the tool on and pull down the operating handle **3** to cut the workpiece. Allow the motor to reach full speed before cutting.
- Allow the disc to cut freely. Do not force.
- After completing the cut, switch off the tool and return the arm to its upper rest position.

Switching On and Off (Fig. A)

The on/off switch **1** is mounted in the operating handle **3**.

- To run the tool, press the on/off switch **1**.
- Keep the on/off switch depressed while performing the operation.
- To stop the tool, release the switch.

 **WARNING:** Do not switch the tool on or off when under load.

 **WARNING:** Do not cut magnesium.


Transporting (Fig. A)

The tool is equipped with a lock-down chain **20** which locks the tool in closed-down position for carrying.

- Lower the guard **15** onto the cutting table **10** and secure the tool in this position by hooking the chain **20** over the lock-down hook **17**.
- Transport the tool using the carrying handle **4**.
- To release the tool, depress the operating handle **3** slightly and release the chain.

MAINTENANCE

Your DEWALT power tool has been designed to operate over a long period of time with a minimum of maintenance. Continuous satisfactory operation depends upon proper tool care and regular cleaning.

 **WARNING:** To reduce the risk of serious personal injury, turn tool off and disconnect tool from power source before making any adjustments or removing/installing attachments or accessories. An accidental start-up can cause injury.



Lubrication

Your power tool requires no additional lubrication.



Cleaning



WARNING: Blow dirt and dust out of the main housing with dry air as often as dirt is seen collecting in and around the air vents. Wear approved eye protection and approved dust mask when performing this procedure.



WARNING: Never use solvents or other harsh chemicals for cleaning the non-metallic parts of the tool. These chemicals may weaken the materials used in these parts. Use a cloth dampened only with water and mild soap. Never let any liquid get inside the tool; never immerse any part of the tool into a liquid.

Optional Accessories



WARNING: Since accessories, other than those offered by DEWALT, have not been tested with this product, use of such accessories with this tool could be hazardous. To reduce the risk of injury, only DEWALT recommended accessories should be used with this product.

Consult your dealer for further information on the appropriate accessories.

Protecting the Environment



Separate collection. Products and batteries marked with this symbol must not be disposed of with normal household waste.

Products and batteries contain materials that can be recovered or recycled reducing the demand for raw materials. Please recycle electrical products and batteries according to local provisions. Further information is available at www.2helpU.com.

Belgique et Luxembourg België en Luxemburg	DeWALT – Belgium BVBA Egide Walschaertsstraat 16 2800 Mechelen	Tel: NL 32 15 47 37 63 Tel: FR 32 15 47 37 64 Fax: 32 15 47 37 99	www.dewalt.be enduser.BE@SBDInc.com
Danmark	DeWALT (Stanley Black&Decker AS) Roskildevej 22 2620 Albertslund	Tel: 70 20 15 10 Fax: 70 22 49 10	www.dewalt.dk kundeservice.dk@sbdinc.com
Deutschland	DeWALT Richard Klingner Str. 11 65510 Idstein	Tel: 06126-21-0 Fax: 06126-21-2770	www.dewalt.de infodfwge@sbdinc.com
Ελλάδα	DeWALT (Ελλάδα) A.E. ΕΔΠΑ-ΓΡΑΦΕΙΑ : Στραβωνος 7 & Λ. Βουλιαγμενης, Πλωπόδα 166 74, Αθήνα SERVICE : Ημερος Τόπος 2 (Χάνι Αδών) – 193 00 Ασπρόπυργος	Τηλ: 00302108981616 Φαξ: 00302108983570	www.dewalt.gr Greece.Service@sbdinc.com
España	DeWALT Ibérica, S.C.A. Parc de Negocios "Mas Blau" Edificio Muntadas, c/Bergadà, 1, Of. A6 08820 El Prat de Llobregat (Barcelona)	Tel: 934 797 400 Fax: 934 797 419	www.dewalt.es respuesta.postventa@sbdinc.com
France	DeWALT 5, allée des Hêtres BP 60105, 69579 Limonest Cedex	Tel: 04 72 20 39 20 Fax: 04 72 20 39 00	www.dewalt.fr scuf@sbdinc.com
Schweiz Suisse Svizzera	DeWALT In der Luberzen 42 8902 Urdorf	Tel: 044 - 755 60 70 Fax: 044 - 730 70 67	www.dewalt.ch service@rofoag.ch
Ireland	DeWALT Building 4500, Kinsale Road Cork Airport Business Park Cork, Ireland	Tel: 00353-2781800 Fax: 01278 1811	www.dewalt.ie Sales.ireland@sbdinc.com
Italia	DeWALT via Energypark 6 20871 Vimercate (MB), IT	Tel: 800-014353 39 039-9590200 Fax: 39 039-9590311	www.dewalt.it
Nederlands	DeWALT Netherlands BVPostbus 83, 6120 AB BORN	Tel: 31 164 283 063 Fax: 31 164 283 200	www.dewalt.nl
Norge	DeWALT Postboks 4613 0405 Oslo, Norge	Tel: 45 25 13 00 Fax: 45 25 08 00	www.dewalt.no kundeservice.no@sbdinc.com
Österreich	DeWALT Werkzeug Vertriebsges m.b.H Oberlaaerstrasse 248, A-1230 Wien	Tel: 01 - 66116 - 0 Fax: 01 - 66116 - 614	www.dewalt.at service.austria@sbdinc.com
Portugal	DeWALT Ed. D Dinis, Quina da Fonte Rua dos Malhoes 2 2A 2º Esq. Oeiras e S. Juliao da Barra, paço de Arcos e Caxias 2770 071 Paço de Arcos	Tel: +351 214667500 Fax: +351214667580	www.dewalt.pt resposta.posvenda@sbdinc.com
Suomi	DeWALT PL47 00521 Helsinki, Suomi	Puh: 010 400 4333 Faksi: 0800 411 340	www.dewalt.fi asiakaspalvelu.fi@sbdinc.com
Sverige	DeWALT BOX 94 43122 Mölndal Sverige	Tel: 031 68 61 60 Fax: 031 68 60 08	www.dewalt.se kundservice.se@sbdinc.com
Türkiye	Sanayi ve Ticaret Bakanlığı tebliğince kullanımı 7 yıldır. Stanley Black & Decker Turkey Alet Üretim San. Tic. Ltd.Şti. Kozyatağı Mh Değirmen Sk. Nida Kule No: 18 Kat: 6, 34742 Kadıköy, İstanbul, Türkiye	Tel: +90 216 665 2900 Faks: +90 216 665 2901	www.dewalt.com.tr info-tr@sbdinc.com
United Kingdom	DeWALT, 210 Bath Road; Slough, Berks SL1 3YD	Tel: 01753-567055 Fax: 01753-572112	www.dewalt.co.uk emaservice@sbdinc.com
Australia	DeWALT 810 Whitehorse Road Box Hill VIC 3103 Australia	Tel: Aust 1800 338 002 Tel: NZ 0800 339 258	www.dewalt.com.au www.dewalt.co.nz
Middle East Africa	DeWALT P.O. Box - 17164, Jebel Ali Free Zone (South), Dubai, UAE	Tel: 971 4 812 7400 Fax: 971 4 2822765	www.dewalt.ae Service.MEA@sbdinc.com