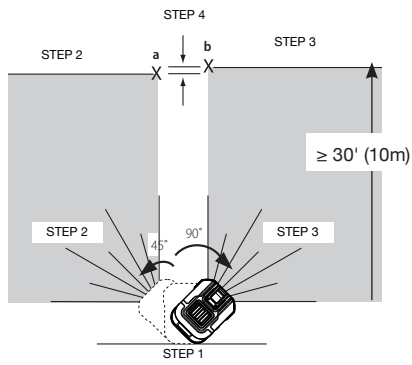
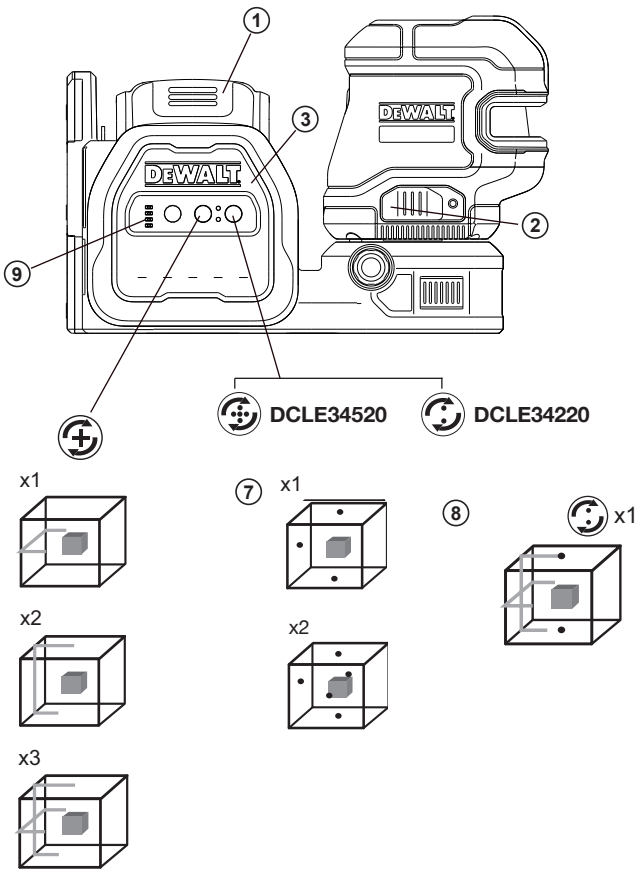
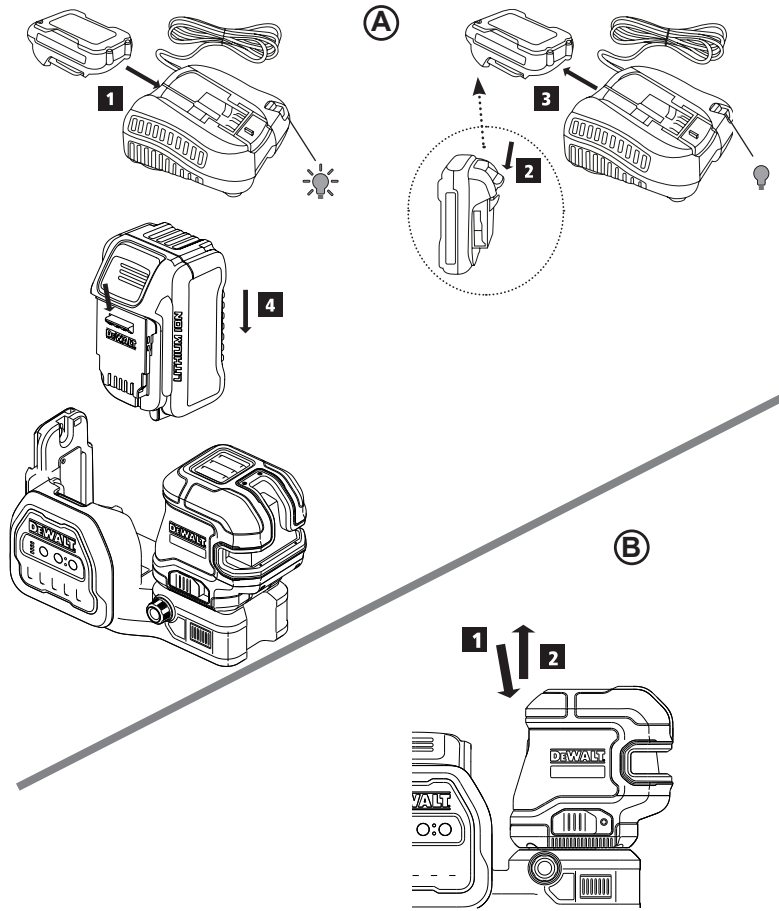
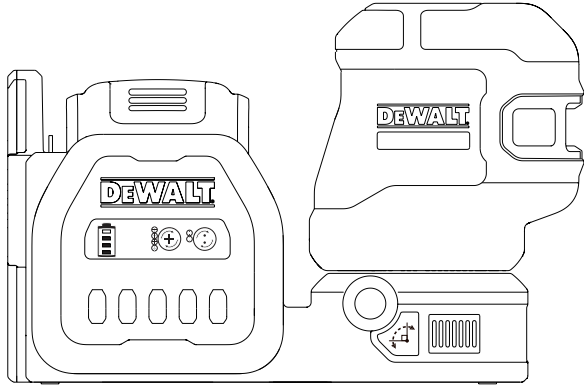
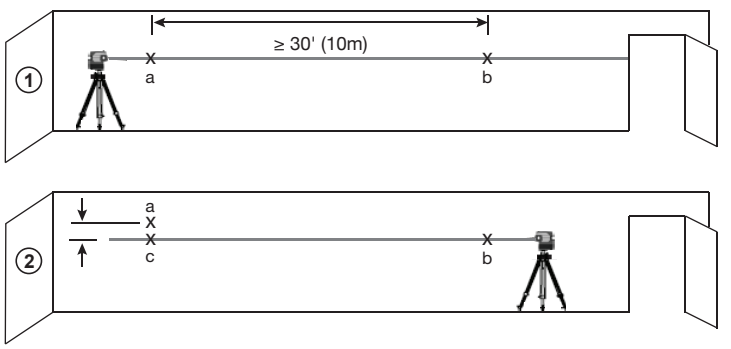


DEWALT

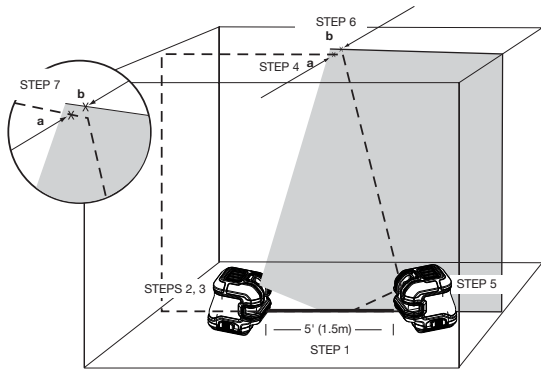
DCE822D1G18 / DCE822NG18
DCE825D1G18 / DCE825NG18



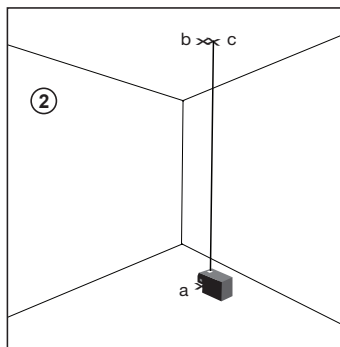
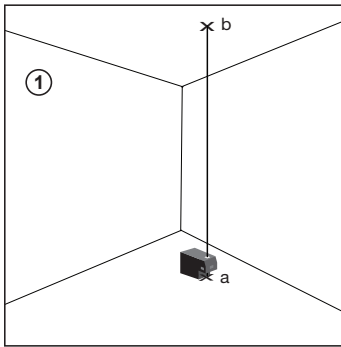
Distance Between Walls	Allowable Distance Between (a) and (b)
10.0m	3.0mm
12.0m	3.6mm
15.0m	4.5mm



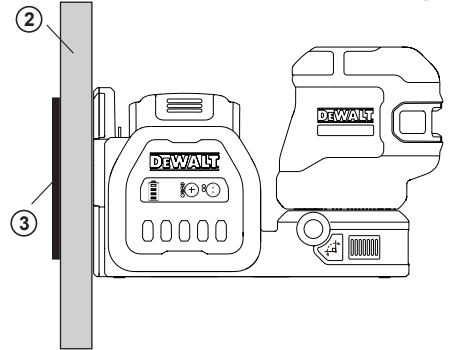
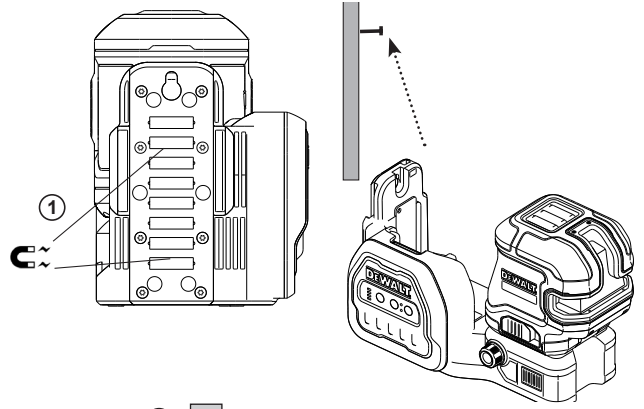
Distance Between Walls	Allowable Distance Between (a) and (c)
10.0m	6.0mm
12.0m	7.2mm
15.0m	9.0mm



Distance Between Walls	Allowable Distance Between (a) and (b)
2.5m	1.7mm
3.0m	2.1mm
4.0m	2.8mm
6.0m	4.1mm



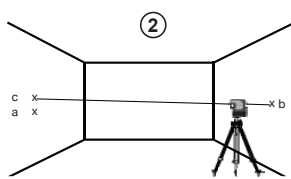
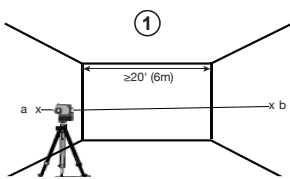
Distance Between Ceiling & Floor	Allowable Distance Between (b) & (c)
2.5m	1.7mm
3.0m	2.1mm
4.0m	2.8mm
6.0m	4.1mm



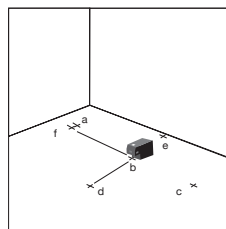
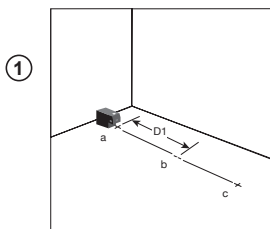
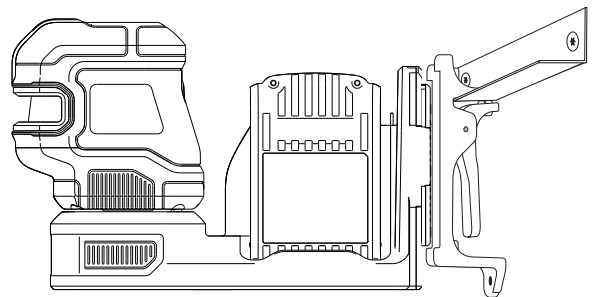
© 2021 DeWALT Industrial Tool Co.
 DEWALT EU, Black-& Decker-Strasse 40,
 D-65510 Idstein, Germany

UK Importer - DeWALT UK, 270 Bath Rd,
 Slough SL1 4DX, England
www.2helpU.com

November 2021 NA129077



Distance Between Walls	Allowable Distance Between (a) & (c)
6.0m	4.1mm
9.0m	6.2mm
15.0m	10.2mm



Distance (D1)	Allowable Distance Between (a) & (f) or (a) & (g)
6.0m	5.3mm
9.0m	7.9mm
15.0m	13.1mm

