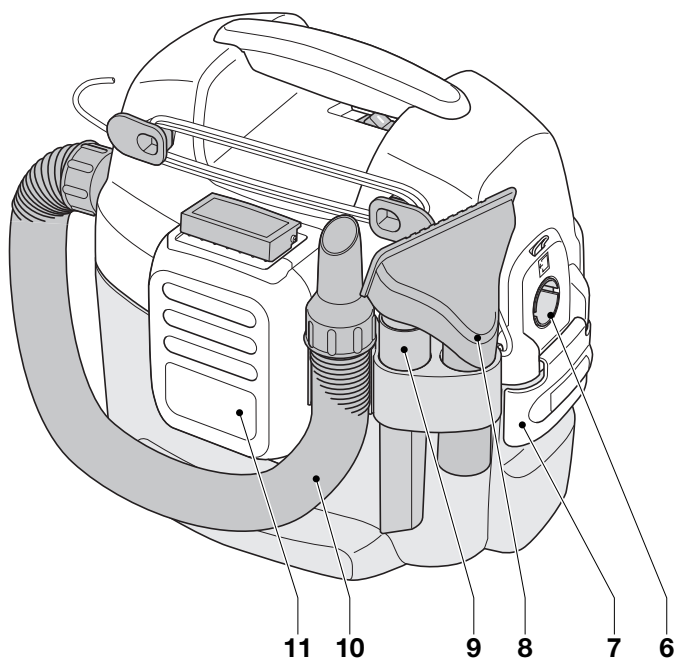
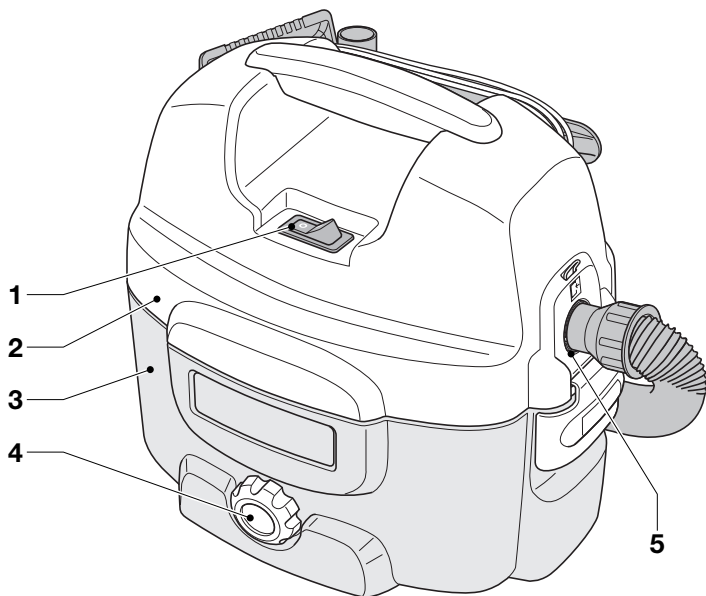
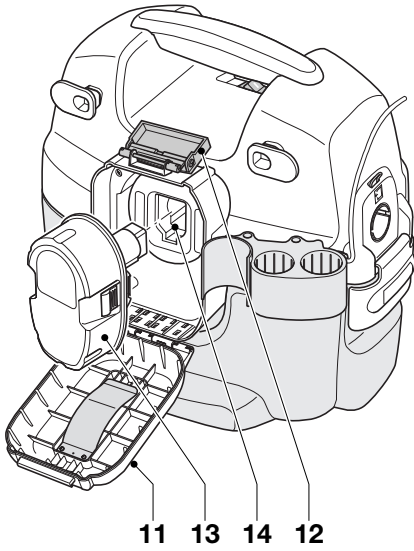


DEWALT®

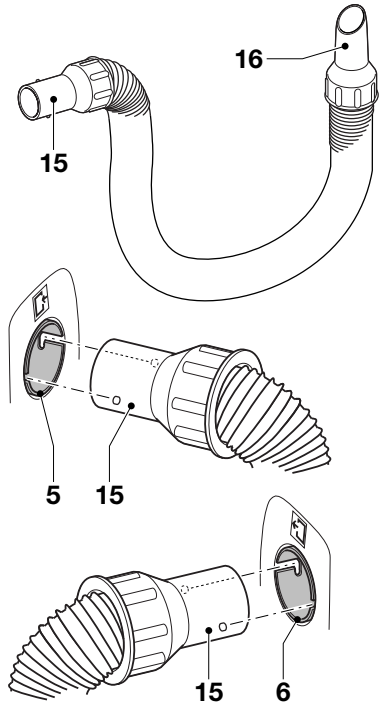
DC500



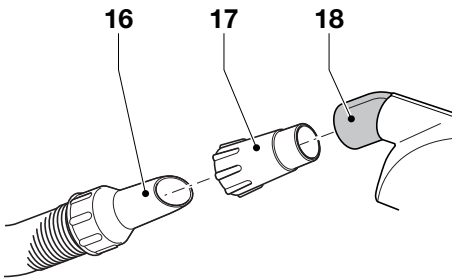
A



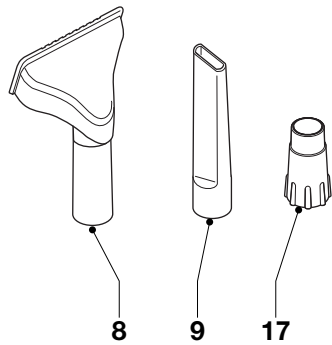
B



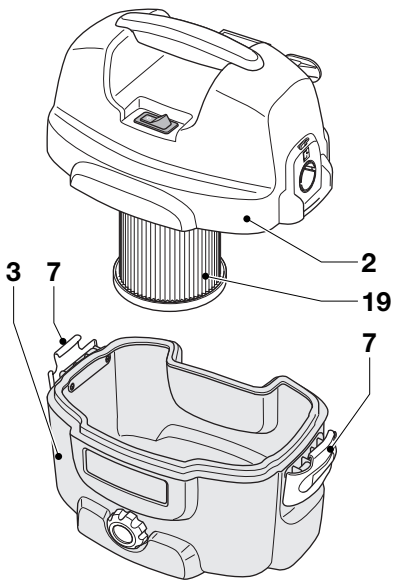
C



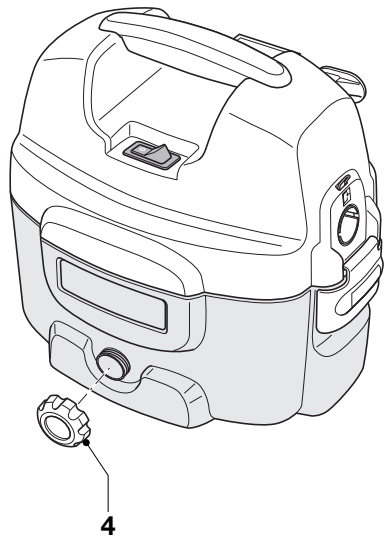
D



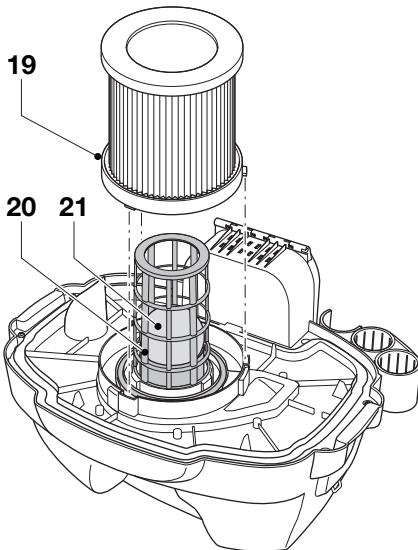
E



F



G



H

VACUUM CLEANER DC500

Congratulations!

You have chosen a DeWALT tool. Years of experience, thorough product development and innovation make DeWALT one of the most reliable partners for professional power tool users.

Technical data

	DC500	
Power source	AC/DC	
Mains voltage	V_{AC}	230
(U.K. & Ireland only)	V_{AC}	230/115
Battery voltage	V_{DC}	12/14.4/18
Power input	W	300
Tank volume	l	7.5
Max. airflow	l/s	15.9
Hose nozzle diameter	mm	32
Protection class	IPX4	
Weight	kg	4.6

Fuses:

Europe	230 V tools	10 Amperes, mains
U.K. & Ireland	230 V tools	13 Amperes, in plugs

The following symbols are used throughout this manual:



Denotes risk of personal injury, loss of life or damage to the tool in case of non-observance of the instructions in this manual.



Denotes risk of electric shock.

EC-Declaration of conformity



DC500

DeWALT declares that these power tools have been designed in compliance with: 98/37/EEC, 89/336/EEC, 73/23/EEC, EN 60335, EN 55014-2, EN 55014-1, EN 61000-3-2 & EN 61000-3-3.

For more information, please contact DeWALT at the address below, or refer to the back of the manual.

	DC500	
L_{pA} (sound pressure)	dB(A)*	77.5
L_{WA} (acoustic power)	dB(A)	86

* at the operator's ear

Director Engineering and Product Development
Horst Großmann

DeWALT, Richard-Klinger-Straße 11
D-65510, Idstein, Germany

Safety instructions

When using power tools, always observe the safety regulations applicable in your country to reduce the risk of fire, electric shock and personal injury.

Read all of this manual carefully before operating the tool.

Save this manual for future reference.

General

1 Keep work area clean

Cluttered areas and benches can cause accidents.

2 Consider work area environment

Keep the work area well lit (250 - 300 Lux).

Do not use the tool where there is a risk of causing fire or explosion, e.g. in the presence of flammable liquids and gases.

3 Keep children away

Do not allow children, visitors or animals to come near the work area or to touch the tool or the mains cable.

4 Dress properly

Do not wear loose clothing or jewellery, as these can be caught in moving parts or caught by the airflow. Wear protective hair covering to keep long hair out of the way. When working outdoors, preferably wear suitable gloves and non-slip footwear.

5 Personal protection

Always use safety glasses. Use a face or dust mask whenever the operations may produce dust or flying particles. If these particles might be considerably hot, also wear a heat-resistant apron. Wear ear protection at all times. Wear a safety helmet at all times.

6 Guard against electric shock

Prevent body contact with earthed surfaces (e.g. pipes, radiators, cookers and refrigerators). When using the tool under extreme conditions (e.g. high humidity, when metal swarf is being produced, etc.), electric safety can be improved by inserting an isolating transformer or a (FI) earth-leakage circuit-breaker.

7 Do not overreach

Keep proper footing and balance at all times.

8 Stay alert

Watch what you are doing. Use common sense. Do not operate the tool when you are tired.

9 Use appropriate tool

The intended use is described in this instruction manual. Do not force small tools or attachments to do the job of a heavy-duty tool. The tool will do the job better and safer at the rate for which it was intended. Do not force the tool.

Warning! The use of any accessory or attachment or performance of any operation with this tool other than those recommended in this instruction manual may present a risk of personal injury.

10 Check for damaged parts

Before use, carefully check the tool and mains cable for damage. Check for misalignment and seizure of moving parts, breakage of parts, damage to guards and switches and any other conditions that may affect its operation. Ensure that the tool will operate properly and perform its intended function. Do not use the tool if any part is damaged or defective. Do not use the tool if the switch does not turn it on and off. Have any damaged or defective parts replaced by an authorised DeWALT repair agent. Never attempt any repairs yourself.

11 Store idle tools

When not in use, tools must be stored in a dry place and locked up securely, out of reach of children.

12 Maintain tools with care

Keep the tools in good condition and clean for better and safer performance. Follow the instructions for maintenance and changing accessories. Keep all handles and switches dry, clean and free from oil and grease.

13 Repairs

This tool is in accordance with the relevant safety regulations. Have your tool repaired by an authorised DeWALT repair agent. Repairs should only be carried out by qualified persons using original spare parts; otherwise this may result in considerable danger to the user.

Safety instructions for mains-powered tools

14 Extension cables

Before use, inspect the extension cable and replace if damaged. When using the tool outdoors, only use extension cables intended for outdoor use and marked accordingly.

15 Unplug tool

Switch off and wait for the tool to come to a complete standstill before leaving it unattended. Unplug the tool when not in use, before changing any parts of the tools, accessories or attachments and before servicing.

16 Do not abuse cord

Never carry the tool by its cord. Never pull the cord to disconnect from the socket. Keep the cord away from heat, oil and sharp edges.

Safety instructions for battery-powered tools

17 Remove the battery pack

Switch off and wait for the tool to come to a complete standstill before leaving it unattended. Remove the battery pack when not in use, before changing any parts of the tools, accessories or attachments and before servicing.

Additional safety instructions for Australia and New Zealand

- This tool is not intended for use by young children or infirm persons without supervision. Young children should be supervised to ensure they do not play with this tool.
- If the supply cord is damaged, it must be replaced by the manufacturer or an authorised DeWalt Service Centre in order to avoid a hazard.

Additional safety instructions for vacuum cleaners

- This tool is all-round splashproof according to protection class IPX4. Do not submerge the tool in water!
- Do not use the tool to vacuum asbestos.
- Do not use the tool to vacuum silicates.
- Do not use the tool to vacuum flammable liquids.
- Do not use the tool to vacuum hot particles.
- Ensure the inlet or outlet is not blocked or partially obstructed.

Package contents

The package contains:

- 1 Vacuum cleaner
- 1 Vacuum hose
- 1 Wide nozzle
- 1 Crevice tool
- 1 Dust extraction adaptor
- 1 Instruction manual

- Take the time to thoroughly read and understand this manual prior to operation.

Description (fig. A)

Your DC500 cordless/corded vacuum cleaner has been designed to vacuum dry and wet substances in professional applications. The tool can also be operated as a blower to remove debris from the workplace and to dry damp surfaces. Working on mains (corded) or battery (cordless) power the tool can be used both indoor and outdoor.

For cordless applications, the tool accepts DeWalt NiCd and NiMH battery packs ranging from 12 to 18 V.

- 1 On/off switch
- 2 Power head
- 3 Tank
- 4 Drain plug
- 5 Vacuum inlet
- 6 Blow outlet
- 7 Latch
- 8 Wide nozzle
- 9 Crevice tool
- 10 Hose
- 11 Battery compartment cover

Electrical safety

The electric motor has been designed for one voltage only. Always check that the power supply corresponds to the voltage on the rating plate.

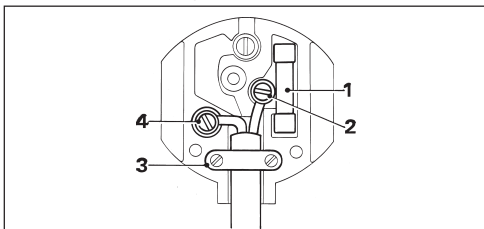


Your DeWalt tool is double insulated in accordance with EN 60335; therefore no earth wire is required.

Mains plug replacement (U.K. & Ireland only)

- Should your mains plug need replacing and you are competent to do this, proceed as instructed below. If you are in doubt, contact an authorized DeWalt repair agent or a qualified electrician.
- Disconnect the plug from the supply.
- Cut off the plug and dispose of it safely; a plug with bared copper conductors is dangerous if engaged in a live socket outlet.
- Only fit 13 Amperes BS1363A approved plugs fitted with the correctly rated fuse (1).

- The cable wire colours, or a letter, will be marked at the connection points of most good quality plugs. Attach the wires to their respective points in the plug (see below). Brown is for Live (L) (2) and Blue is for Neutral (N) (4).
- Before replacing the top cover of the mains plug ensure that the cable restraint (3) is holding the outer sheath of the cable firmly and that the two leads are correctly fixed at the terminal screws.



Never use a light socket.
Never connect the live (L) or neutral (N) wires to the earth pin marked E or \perp .

For 115 V units with a power rating exceeding 1500 W, we recommend to fit a plug to BS4343 standard.

Using an extension cable

If an extension cable is required, use an approved extension cable suitable for the power input of this tool (see technical data). The minimum conductor size is 1.5 mm².

When using a cable reel, always unwind the cable completely.

Also refer to the table below.

Conductor size (mm ²)	Cable rating (Amperes)	Cable length (m)					
0.75	6						
1.00	10						
1.50	15						
2.50	20						
4.00	25						
		7.5	15	25	30	45	60
Voltage	Amperes	Cable rating (Amperes)					
115	0 - 2.0	6	6	6	6	6	10
	2.1 - 3.4	6	6	6	6	15	15
	3.5 - 5.0	6	6	10	15	20	20
	5.1 - 7.0	10	10	15	20	20	25
	7.1 - 12.0	15	15	20	25	25	-
	12.1 - 20.0	20	20	25	-	-	-

230	0 - 2.0	6	6	6	6	6	6
	2.1 - 3.4	6	6	6	6	6	6
	3.5 - 5.0	6	6	6	6	10	15
	5.1 - 7.0	10	10	10	10	15	15
	7.1 - 12.0	15	15	15	15	20	20
	12.1 - 20.0	20	20	20	20	25	-

Assembly



- Prior to assembly always unplug the tool.
- Prior to assembly, check for the presence of a battery pack and remove it if present.

Inserting a battery pack (fig. B)

- Release the latch (12) to open the battery compartment cover (11).
- Insert the battery pack (13) into the receptacle (14) until it is fully seated.
- Close the battery compartment cover.



Always switch off the tool before inserting or removing the battery pack.

Battery pack condition

- Make sure your battery pack is (fully) charged. If the battery pack does not produce sufficient power, charge the battery pack following the instructions in the manual of the charger.



Use only DeWALT battery packs and chargers.

Connecting the hose (fig. C)

Vacuum mode

- Insert the connecting piece (15) into the vacuum inlet (5).
- Turn the connecting piece clockwise to fix the hose in position.
- Place the appropriate accessory onto the hose nozzle (16).

Blow mode

- Insert the connecting piece (15) into the blow outlet (6).
- Turn the connecting piece clockwise to fix the hose in position.

- Place the appropriate accessory onto the hose nozzle (16).

Instructions for use



- Always observe the safety instructions and applicable regulations.

Switching on and off (fig. A)

- To switch the tool on, set the on/off switch (1) to position I.
- To switch the tool off, set the on/off switch (1) to position 0.

Power source

The tool runs either on mains power or battery power. The tool will switch between AC (mains) and DC (battery) power automatically.

Mains power

- Fully unwind the mains cable.
- Connect the plug to the mains outlet before switching on the tool
- Always switch off the tool when work is finished and before unplugging. Tidy the mains cable when the tool is not in use.

Battery power

- Tidy the mains cable.
- Insert a battery pack. Make sure the battery pack is properly seated.
- Always switch off the tool when work is finished and before removing the battery pack.

Vacuuming (fig. A)

- Empty and clean the tank (3) before use.
- Connect the hose (10) to the vacuum inlet (5).
- Select the appropriate accessory.
- We recommend not to mix wet and dry substances. When switching substances, empty and clean the tank first.

Dust collector (fig. D)

In the vacuum mode the tool can also function as a dust collector for applications producing dust or debris. Use the supplied dust extraction adaptor (17) to facilitate connection of a power tool (18) to the hose nozzle (16).

Dust filter

We recommend to always use the tool with the dust filter in place.

If by mistake the tool is used without the dust filter in place, a shut-off feature will be activated when the liquid level in the tank has reached its maximum. A float valve will block the suction opening, after which the suction stops and the motor speed increases.



- Always use the tool in upright position. Do not tilt the tool to prevent liquids collected in the tank to enter the motor housing.
- Always operate the tool with the dust filter in place.

Blowing (fig. A)

- Empty and clean the tank (3) before use.
- Connect the hose (10) to the blow outlet (6).
- Select the appropriate accessory.

Supplied accessories (fig. E)

The following accessories are supplied with the tool:

- Wide nozzle (8)
- Crevice tool (9)
- Dust extraction adaptor (17)

Optional accessories

Consult your dealer for further information on the appropriate accessories.

Maintenance

Your DeWALT power tool has been designed to operate over a long period of time with a minimum of maintenance. Continuous satisfactory operation depends upon proper tool care and regular cleaning.

Emptying the tank (fig. F & G)

The tank must be emptied when the suction power reduces significantly.

Emptying dry substances (fig. F)

- Release the latches (7) and remove the power head (2) from the tank (3).
- Empty the contents of the tank into a waste container.
- Clean the filter (19) as described below.
- Re-install the power head onto the tank and secure the latches.

Emptying wet substances (fig. G)

- Place a suitable container under the drain plug (4).
- Remove the drain plug.
- Allow ample time for the liquid to drain. Hold the unit at an angle of approx. 10° to help the liquid flow towards the drain plug.
- After the liquid has been drained, re-install the drain plug.
- Dispose of the liquid with due care for the environment.

Cleaning (fig. F & H)

- Unplug the tool from the mains and remove the battery pack before cleaning the housing with a soft cloth.
- Regularly clean the housing with a soft cloth.

Cleaning the tank (fig. F)

The tank should be cleaned after each use or when switching substances during use.

- Empty the tank (3).
- Clean the tank using mild soap and a damp cloth.
- Dry the tank carefully using a soft cloth.

Cleaning the dust filter (fig. H)

The dust filter should be cleaned after each use. If the filter is damaged or fails to operate properly, it must be replaced.

- Remove the dust filter (19) by turning it counter-clockwise and taking it off the suction opening (20).
- Shake off excess dust by tapping the filter into a waste container.
- Depending on its condition, rinse the outside of the filter under lukewarm running water.
- Secure the filter by placing it over the suction opening and turning it clockwise.



- Do not wash the inside of the filter. Let the filter dry thoroughly if the inside becomes wet.
- Do not use a brush to clean the filter.

Cleaning the suction opening filter (fig. H)

The suction opening filter needs to be cleaned if the tool is operated without the dust filter in place.

- Keeping the float valve (21) out of the way, remove the filter from the suction opening (20).
- Rinse the filter under lukewarm running water.

- Dry the filter before putting it back in place.
- Clean the float valve (21) using a damp cloth.

Troubleshooting

If your tool seems not to operate properly, follow the instructions below. If this does not solve the problem, please contact your repair agent.

Shut-off feature engages

- Switch off the tool immediately.
- Empty the tank as described above.
- Clean the suction opening filter as described above.
- Remember to put the dust filter in place before resuming work.

**Unwanted tools and the environment**

Take your tool to an authorized DeWALT repair agent where it will be disposed of in an environmentally safe way.

**Rechargeable battery pack**

A long life battery pack must be recharged when it fails to produce sufficient power on jobs which were easily done before. At the end of its technical life, discard it with due care for our environment:

- Run the battery pack down completely, then remove it from the tool.
- NiCd and NiMH cells are recyclable. Take them to your dealer or a local recycling station. The collected battery packs will be recycled or disposed of properly.

DeWALT AFTER SALES SERVICE

REPAIR AND SERVICE

All DeWALT power tools are thoroughly tested before leaving the factory. However, if the power tool needs repair, please contact your dealer or take it to your nearest DeWALT Service Centre. There is a Service Centre in every capital city. For service, repair or parts call 1800 654 155 (Aust) or 09 526 2556 (NZ).

GUARANTEE

FULL ONE YEAR WARRANTY

DeWALT heavy duty industrial tools are warranted for one year from date of purchase. We will repair, without charge, any defects due to faulty materials or workmanship. Please return the complete unit, transportation prepaid, to any DeWALT Service Centre, or any authorised service station.

This warranty does not apply to:

- Accessories.
- Damage caused where repairs have been made or attempted by others.
- Damage due to misuse, neglect, wear and tear, alteration or modification.

FREE ONE YEAR SERVICE CONTRACT

In addition to a full one year warranty, every DeWALT tool is backed with a Free One Year Service Contract. We will provide free labour on all repairs and preventative maintenance during the first year after purchase.

Proof of purchase date is required. Contact your Service Centre on 1800 654 155 (Aust) or 09 526 2556 (NZ).

30 DAY NO RISK SATISFACTION GUARANTEE

If you are dissatisfied with any DeWALT power tool, for any reason, simply return it to the point of purchase with your sales receipt within 30 days for a replacement unit or a full refund.

INFORMATION HOTLINE

When you need further information on a DeWALT product please phone:
Australia: 1800 816 900
New Zealand: 09 579 7600

NOTES

- DeWALT reserves the right to change or upgrade product specifications or standard equipment at any time without notice.
- Standard equipment and accessories may vary by country.
- Product specifications may vary by country.
- Complete product range may not be available in all countries. See your local DeWALT dealer for range availability.

Australia

Black & Decker (Australia) Pty. Ltd.
20 Fletcher Road
Mooroolbark, Victoria 3138

Tel: 03 8720 5100
Fax: 03 9727 5940

New Zealand

Black & Decker
81 Hugo Johnston Drive
Penrose, Auckland, New Zealand

Tel: 09 579 7600
Fax: 09 579 8200

Note: This instruction manual is applicable for the following subcodes: -XE