

**DEWALT®**

**[www.DEWALT.com](http://www.DEWALT.com)**

**DWE625**

**DWE627**

---

English ( <b>original instructions</b> )	5
--	---

---

Русский ( <i>перевод с оригинала инструкции</i> )	15
---	----

---

Українська ( <i>переклад з оригінальної інструкції</i> )	33
--	----

---

Fig. A

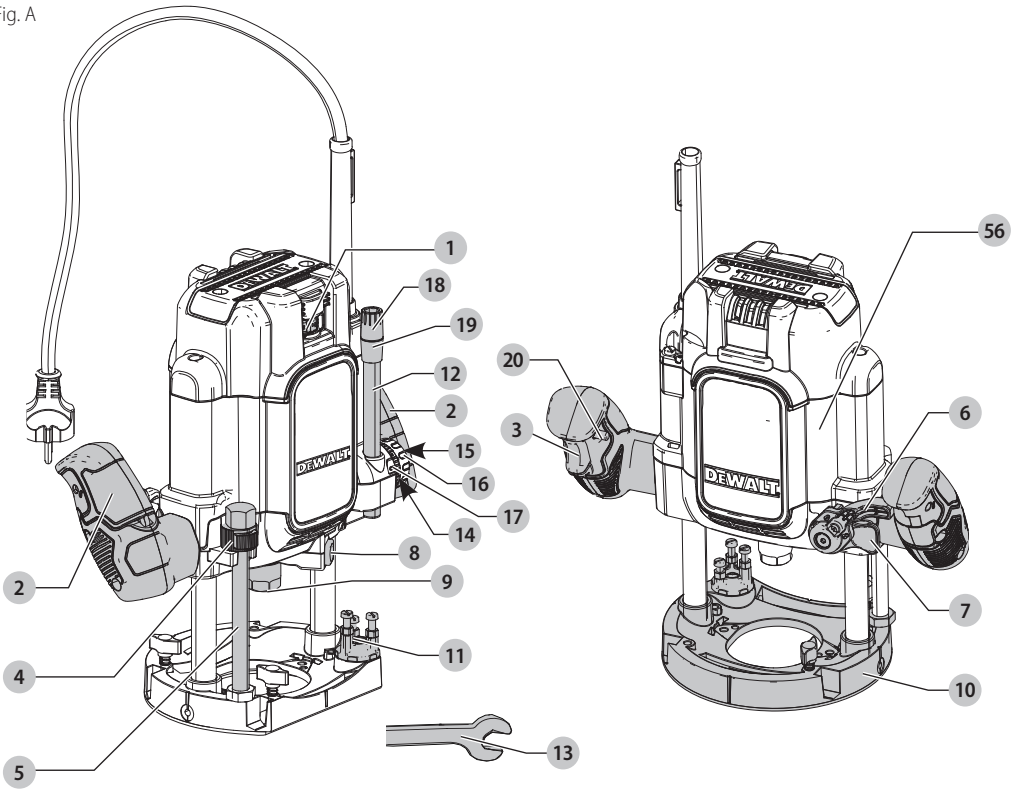


Fig. B

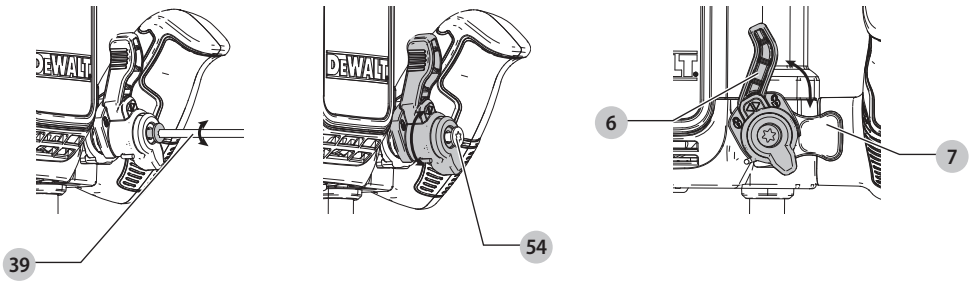


Fig. C

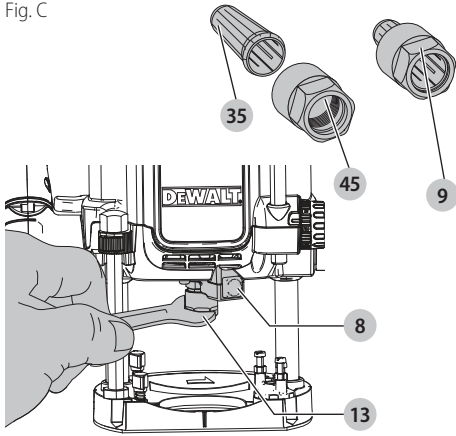


Fig. D

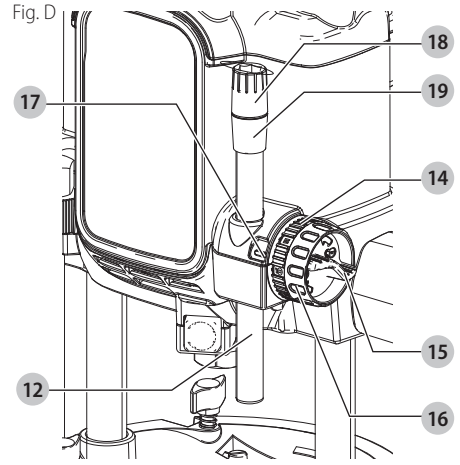


Fig. E

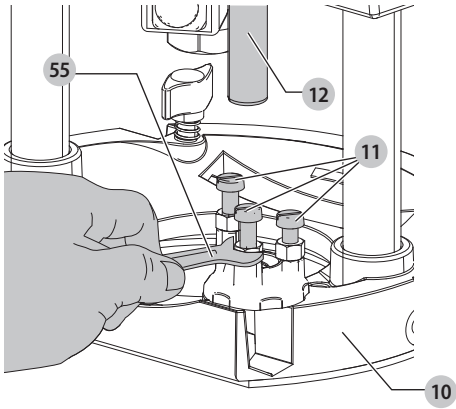


Fig. F

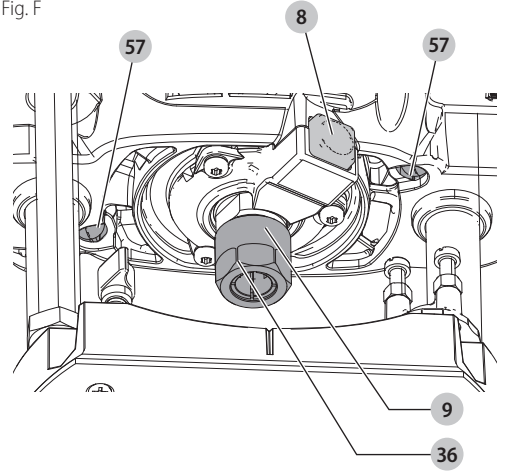


Fig. G

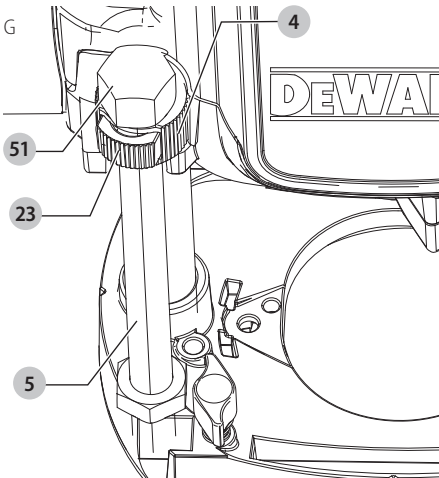


Fig. H

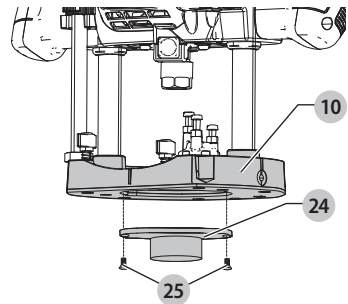


Fig. I

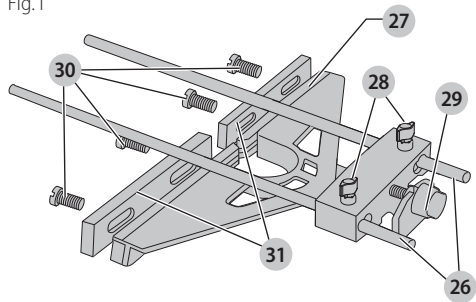


Fig. J

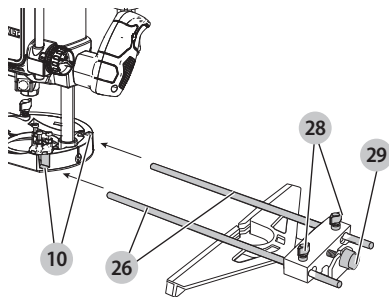


Fig. K

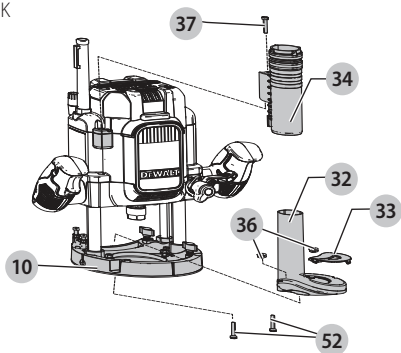


Fig. L

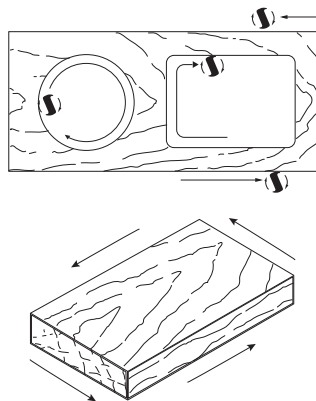


Fig. M

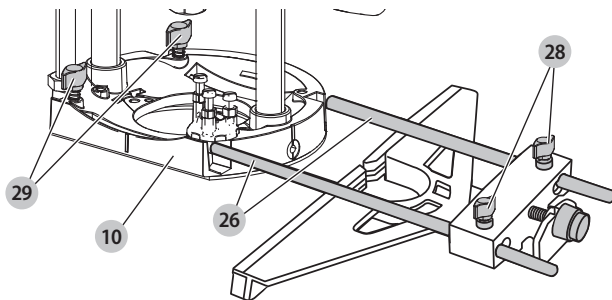


Fig. N

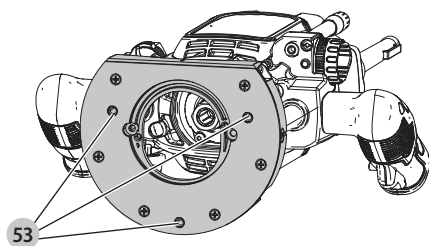


Fig. O

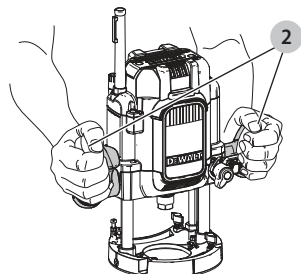


Fig. P

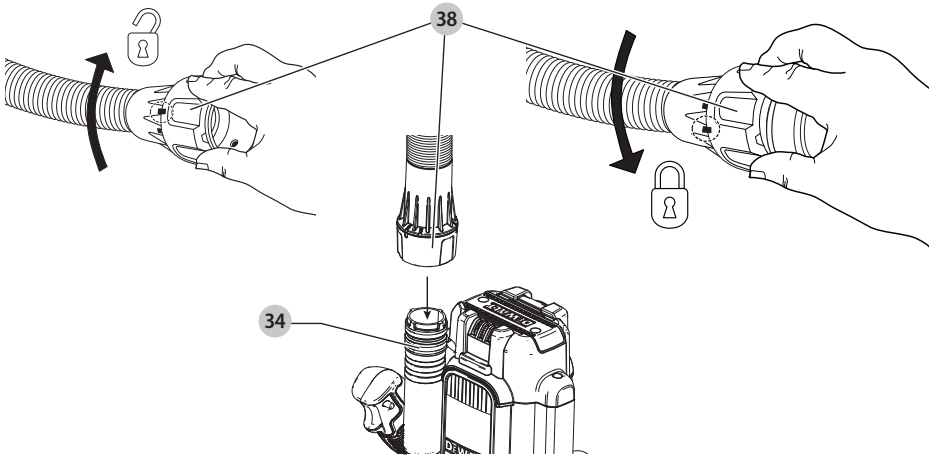


Fig. Q

(DWE627)

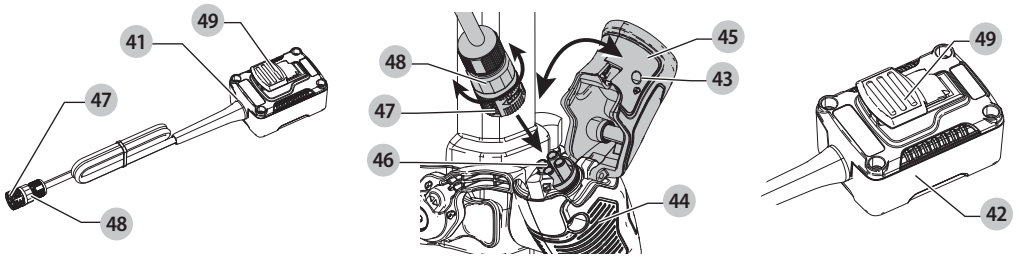
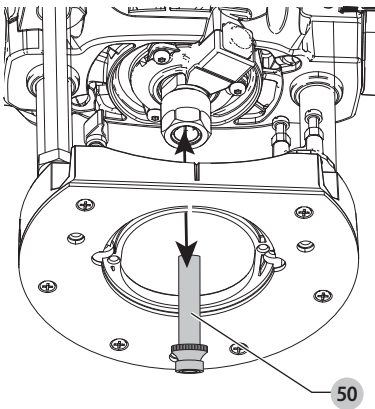


Fig. R



# PLUNGE ROUTER

## DWE625, DWE627

### Congratulations!

You have chosen a DEWALT tool. Years of experience, thorough product development and innovation make DEWALT one of the most reliable partners for professional power tool users.

### Technical Data

		DWE625	DWE625	DWE627
Voltage	$V_{AC}$	115	230	230
Type		1	1	1
Power input	W	2100	2300	2300
No-load speed	$\text{min}^{-1}$	9000 - 22000	9000 - 22000	9000 - 22000
Router carriage	mm	2 column	2 column	2 column
Router carriage stroke	mm	80	80	80
Max. cutting diameter	mm	50	50	50
Collet size for Europe	mm	12	12	12
Collet size for UK and ROI	inch	1/2	1/2	1/2
Weight	kg	6.1	6.1	6.2

Noise values and/or vibration values (triaux vector sum) according to EN62841-2-17:

$L_{PA}$ (emission sound pressure level)	dB(A)	94.2	95.1	95.1
$L_{WA}$ (sound power level)	dB(A)	105.2	106.1	106.1
K (uncertainty for the given sound level)	dB(A)	2.5	2.5	2.5
Vibration emission value $a_{h,hv} =$	$\text{m/s}^2$	4.1	3.1	3.1
Uncertainty K =	$\text{m/s}^2$	0.31	0.31	0.31

The vibration and/or noise emission level given in this information sheet has been measured in accordance with a standardised test given in EN62841 and may be used to compare one tool with another. It may be used for a preliminary assessment of exposure.

**WARNING:** The declared vibration and/or noise emission level represents the main applications of the tool. However if the tool is used for different applications, with different accessories or poorly maintained, the vibration and/or noise emission may differ. This may significantly increase the exposure level over the total working period.

An estimation of the level of exposure to vibration and/or noise should also take into account the times when the tool is switched off or when it is running but not actually doing the job. This may significantly reduce the exposure level over the total working period.

Identify additional safety measures to protect the operator from the effects of vibration and/or noise such as: maintain the tool and the accessories, keep the hands warm (relevant for vibration), organisation of work patterns.

### EC-Declaration of Conformity

#### Machinery Directive



### DWE625, DWE627 Plunge Router

DEWALT declares that these products described under **Technical Data** are in compliance with:

2006/42/EC, EN62841-1:2015 + AC:2015; EN62841-2-17:2017.

These products also comply with Directive 2014/30/EU and 2011/65/EU. For more information, please contact DEWALT at the following address or refer to the back of the manual.

The undersigned is responsible for compilation of the technical file and makes this declaration on behalf of DEWALT.

Markus Rompel  
Vice-President Engineering, PTE-Europe  
DEWALT, Richard-Klinger-Straße 11,  
65510, Idstein, Germany  
08.09.2021



**WARNING:** To reduce the risk of injury, read the instruction manual.

### Definitions: Safety Guidelines

The definitions below describe the level of severity for each signal word. Please read the manual and pay attention to these symbols.



**DANGER:** Indicates an imminently hazardous situation which, if not avoided, **will** result in **death or serious injury**.



**WARNING:** Indicates a potentially hazardous situation which, if not avoided, **could** result in **death or serious injury**.



**CAUTION:** Indicates a potentially hazardous situation which, if not avoided, **may** result in **minor or moderate injury**.

**NOTICE:** Indicates a practice **not related to personal injury** which, if not avoided, **may** result in **property damage**.



Denotes risk of electric shock.



Denotes risk of fire.

### GENERAL POWER TOOL SAFETY WARNINGS



**WARNING:** Read all safety warnings, instructions, illustrations and specifications provided with this power tool. Failure to follow all instructions listed below may result in electric shock, fire and/or serious injury.

## SAVE ALL WARNINGS AND INSTRUCTIONS FOR FUTURE REFERENCE

The term "power tool" in the warnings refers to your mains-operated (corded) power tool or battery-operated (cordless) power tool.

### 1) Work Area Safety

- a) **Keep work area clean and well lit.** Cluttered or dark areas invite accidents.
- b) **Do not operate power tools in explosive atmospheres, such as in the presence of flammable liquids, gases or dust.** Power tools create sparks which may ignite the dust or fumes.
- c) **Keep children and bystanders away while operating a power tool.** Distractions can cause you to lose control.

### 2) Electrical Safety

- a) **Power tool plugs must match the outlet. Never modify the plug in any way. Do not use any adapter plugs with earthed (grounded) power tools.** Unmodified plugs and matching outlets will reduce risk of electric shock.
- b) **Avoid body contact with earthed or grounded surfaces, such as pipes, radiators, ranges and refrigerators.** There is an increased risk of electric shock if your body is earthed or grounded.
- c) **Do not expose power tools to rain or wet conditions.** Water entering a power tool will increase the risk of electric shock.
- d) **Do not abuse the cord. Never use the cord for carrying, pulling or unplugging the power tool. Keep cord away from heat, oil, sharp edges or moving parts.** Damaged or entangled cords increase the risk of electric shock.
- e) **When operating a power tool outdoors, use an extension cord suitable for outdoor use.** Use of a cord suitable for outdoor use reduces the risk of electric shock.
- f) **If operating a power tool in a damp location is unavoidable, use a residual current device (RCD) protected supply.** Use of an RCD reduces the risk of electric shock.

### 3) Personal Safety

- a) **Stay alert, watch what you are doing and use common sense when operating a power tool. Do not use a power tool while you are tired or under the influence of drugs, alcohol or medication.** A moment of inattention while operating power tools may result in serious personal injury.
- b) **Use personal protective equipment. Always wear eye protection.** Protective equipment such as a dust mask, non-skid safety shoes, hard hat or hearing protection used for appropriate conditions will reduce personal injuries.
- c) **Prevent unintentional starting. Ensure the switch is in the off-position before connecting to power source and/or battery pack, picking up or carrying the tool.** Carrying power tools with your finger on the switch or energising power tools that have the switch on invites accidents.

- d) **Remove any adjusting key or wrench before turning the power tool on.** A wrench or a key left attached to a rotating part of the power tool may result in personal injury.
- e) **Do not overreach. Keep proper footing and balance at all times.** This enables better control of the power tool in unexpected situations.
- f) **Dress properly. Do not wear loose clothing or jewellery. Keep your hair and clothing away from moving parts.** Loose clothes, jewellery or long hair can be caught in moving parts.
- g) **If devices are provided for the connection of dust extraction and collection facilities, ensure these are connected and properly used.** Use of dust collection can reduce dust-related hazards.
- h) **Do not let familiarity gained from frequent use of tools allow you to become complacent and ignore tool safety principles.** A careless action can cause severe injury within a fraction of a second.

### 4) Power Tool Use and Care

- a) **Do not force the power tool. Use the correct power tool for your application.** The correct power tool will do the job better and safer at the rate for which it was designed.
- b) **Do not use the power tool if the switch does not turn it on and off.** Any power tool that cannot be controlled with the switch is dangerous and must be repaired.
- c) **Disconnect the plug from the power source and/or remove the battery pack, if detachable, from the power tool before making any adjustments, changing accessories, or storing power tools.** Such preventive safety measures reduce the risk of starting the power tool accidentally.
- d) **Store idle power tools out of the reach of children and do not allow persons unfamiliar with the power tool or these instructions to operate the power tool.** Power tools are dangerous in the hands of untrained users.
- e) **Maintain power tools and accessories. Check for misalignment or binding of moving parts, breakage of parts and any other condition that may affect the power tool's operation. If damaged, have the power tool repaired before use.** Many accidents are caused by poorly maintained power tools.
- f) **Keep cutting tools sharp and clean.** Properly maintained cutting tools with sharp cutting edges are less likely to bind and are easier to control.
- g) **Use the power tool, accessories and tool bits etc. in accordance with these instructions, taking into account the working conditions and the work to be performed.** Use of the power tool for operations different from those intended could result in a hazardous situation.
- h) **Keep handles and grasping surfaces dry, clean and free from oil and grease.** Slippery handles and grasping surfaces do not allow for safe handling and control of the tool in unexpected situations.



## 5) Service

- a) **Have your power tool serviced by a qualified repair person using only identical replacement parts.** This will ensure that the safety of the power tool is maintained.

## Safety Instructions for Routers

- a) **Hold the power tool by insulated gripping surfaces only, because the cutter may contact its own cord.** Cutting a "live" wire may make exposed metal parts of the power tool "live" and could give the operator an electrical shock.
- b) **Use clamps or another practical way to secure and support the workpiece to a stable platform.** Holding the work by your hand or against the body leaves it unstable and may lead to loss of control.
- c) **Keep handles dry, clean and free from oil and grease.** This will enable better control of the tool.
- d) **Maintain a firm grip with both hands on the tool to resist starting torque.** Maintain a firm grip on the tool at all times while operating.
- e) **Keep hands away from cutting area above and below the base. Never reach under the workpiece for any reason.** Keep the router base firmly in contact with the workpiece when cutting.
- f) **Never touch the bit immediately after use. It may be extremely hot.**
- g) **Be sure that the motor has stopped completely before you lay the router down.** If the bit is still spinning when the tool is laid down, it could cause injury or damage.
- h) **Be sure that the router bit is clear of the workpiece before starting the motor.** If the bit is in contact with the workpiece when the motor starts, it could make the router jump, causing damage or injury.
- i) **The permitted speed of the cutting bit must be at least equal to the maximum speed marked on the power tool.** If cutting bits run faster than their rated speed, they may break and fly off.
- j) **Always follow the bit manufacturer's speed recommendations as some bit designs require specific speeds for safety or performance.** If you are unsure of the proper speed or are experiencing any type of problem, contact the bit manufacturer.
- k) **Do not use router bits with a diameter in excess of 50 mm (2") in this tool.**

## Residual Risks

 **WARNING:** We recommend the use of a residual current device with a residual current rating of 30mA or less.

In spite of the application of the relevant safety regulations and the implementation of safety devices, certain residual risks cannot be avoided. These are:

- Impairment of hearing.
- Risk of personal injury due to flying particles.
- Risk of burns due to accessories becoming hot during operation.
- Risk of personal injury due to prolonged use.

## SAVE THESE INSTRUCTIONS

## Electrical Safety

The electric motor has been designed for one voltage only. Always check that the power supply corresponds to the voltage on the rating plate.



Your DEWALT tool is double insulated in accordance with EN62841; therefore no earth wire is required.

The DWE625 LX (115V) is intended to be used with a safety transformer manufactured to BSEN61558 and BS4343. Never work without this transformer in place.

If the supply cord is damaged, it must be replaced only by DEWALT or an authorised service organisation.

## Mains Plug Replacement (U.K. & Ireland Only)

If a new mains plug needs to be fitted:

- Safely dispose of the old plug.
- Connect the brown lead to the live terminal in the plug.
- Connect the blue lead to the neutral terminal.



**WARNING:** No connection is to be made to the earth terminal.

Follow the fitting instructions supplied with good quality plugs. Recommended fuse for 230V U.K. plug: 13 A.

## Fitting a Mains Plug to 115 V Units (U.K. and Ireland Only)

- The plug fitted should comply with BS EN 60309 (BS4343), 32 Amps.



**WARNING:** Always ensure that the cable clamp is correctly and securely fitted to the sheath of the cable.

## Using an Extension Cable

If an extension cable is required, use an approved 3-core extension cable suitable for the power input of this tool (see **Technical Data**). The minimum conductor size is 1.5 mm<sup>2</sup>; the maximum length is 30 m.

When using a cable reel, always unwind the cable completely.

## Package Contents

The package contains:

- 1 Router
- 1 Collet 12 mm (1/2" UK & ROI)
- 1 Parallel fence
- 2 Guide rods
- 1 Guide bush (30 mm)
- 1 22 mm wrench
- 1 SA Dust extraction tube
- 1 Remote Switch Box (DWE627 only)
- 1 Instruction manual

- Check for damage to the tool, parts or accessories which may have occurred during transport.
- Take the time to thoroughly read and understand this manual prior to operation.

## Markings on Tool

The following pictograms are shown on the tool:



Read instruction manual before use.



Wear ear protection.



Wear eye protection



Visible radiation. Do not stare into light.

### Date Code Position (Fig. A)

The date code **56**, which also includes the year of manufacture, is printed into the housing.

Example:

2020 XX XX

Year and Week of Manufacture

## Description (Fig. A)



**WARNING:** Never modify the power tool or any part of it. Damage or personal injury could result.

- 1 Speed control wheel
- 2 Main handles
- 3 On/off trigger switch
- 4 Thumb wheel
- 5 Height stop rod
- 6 Plunge lock lever
- 7 Quick release button
- 8 Spindle lock button
- 9 Collet assembly
- 10 Base plate
- 11 Multiple position turret stop
- 12 Depth stop bar
- 13 22 mm wrench
- 14 Quick zero reset ring
- 15 Quick height adjuster lock
- 16 Quick height adjuster
- 17 Pointer
- 18 Fine adjuster
- 19 Fine zero reset ring
- 20 Lock on button switch

### Intended Use

The DWE625 and DWE627 routers have been designed for professional heavy duty routing of wood, wood based materials and plastics.

These routers are intended for routing grooves, edges, profiles and slots as well as copy routing.

**DO NOT** use under wet conditions or in the presence of flammable liquids or gases.

The DWE625 and DWE627 are professional power tools. The DWE627 is designed so that it can be installed into a router table. The router may only be installed in tables that meet the legal safety requirements for router tables.

**DO NOT** let children come into contact with the tool. Supervision is required when inexperienced operators use this tool.

- **Young children and the infirm.** This appliance is not intended for use by young children or infirm persons without supervision.
- This product is not intended for use by persons (including children) suffering from diminished physical, sensory or mental abilities; lack of experience, knowledge or skills unless they are supervised by a person responsible for their safety. Children should never be left alone with this product.



**CAUTION:** Before operating any of the controls, read the following sections.

## Plunge Lock Lever (Fig. B)

The plunge lock lever **6** allows you to stop the working bit at a specified height.

1. Press down the plunge lock lever **6** until you hear an audible "Click" when you want to lower the router bit into the workpiece.
2. You can lower the unit until it reaches your preset stop.
3. To lock the tool in place along its vertical travel, press quick release button **7**.

## Collets (Fig. C)



**WARNING:** Projectile hazard. Only use bits with shanks that match the installed collet. Smaller shank bits will not be secure and could become loose during operation.



**CAUTION:** Never tighten the collet without first installing a router bit in it. Tightening an empty collet, even by hand, can damage the collet.

A collet is included with this router.

- 12 mm : Europe
- 1/2" : Great Britain

1. To change collets **35**, unscrew the collet assembly **9**.
2. Sharply pull the old collet out of the collet nut **36** and insert the new collet **35**.
3. Push firmly so that the new collet snaps past the retainer spring in the collet nut.

## Multiple Position Turret Stop (Fig. E)



**WARNING:** Do not change the turret stop while the router is running. This will place your hands too near the cutter head.

The turret stop **11** limits the downward distance that the tool can be plunged. It consists of three screws of different lengths that serve to define the depth of cut by limiting the travel of the depth stop bar **12**.

1. Routing depth can be set by selecting the screw of the appropriate length on the turret.

- The turret is rotatable with detent stops to properly align the screws.
- It is the interaction of the depth stop bar and the turret stop that determine the routing depth.
- If none of the provided screws seems close to the desired height each can be adjusted by loosening the hex nut at the bottom and then turning the screw either in or out to make it the proper length. After adjusting this screw be sure to tighten the hex nut at the bottom with the an 8 mm wrench **55**.
- Refer to section **Setting the Routing Depth** for instructions on how to use the turret stop in an actual operation.

## Height Stop Rod and Height Stop Thumb Wheel (Fig. G)

The height stop rod **5** and thumb wheel **4** limit how high the unit can travel up the rails. The system is adjustable from full down where the unit cannot rise regardless of the position of the plunge release lever to full up where the bottom of the collet is 80 mm (3-5/32") above the workpiece.

For convenience, the thumb wheel is equipped with a quick release button **23** that allows you to disengage the threads for fast positioning by simply depressing the button in the side of the wheel.

**NOTE:** It is easier to move the height stop thumb wheel UP if the plunge release lever is locked and easier to move the thumb wheel down if the unit is first moved down by releasing the plunge release lever and then tightening it.

## ASSEMBLY AND ADJUSTMENTS



**WARNING:** To reduce the risk of serious personal injury, turn tool off and disconnect tool from power source before making any adjustments or removing/installing attachments or accessories. An accidental start-up can cause injury.

## Installing and Removing a Cutter (Fig. C, F)



**WARNING:** Do not tighten the collet without a cutter fitted.



**WARNING:** Always use cutters with shanks which match the diameter of the collet.



**WARNING:** Do not use cutters larger than 50 mm (2") unless the router is fitted in a router table.



**CAUTION:** Care should be taken when removing cutter to avoid cuts to fingers.

## Installing a Cutter

- Insert at least three fourths of the shank length of the cutter into the collet assembly **9**.
- Press the spindle lock **8** forward until the router spindle is locked.  
**NOTE:** You may need to turn the spindle slightly to engage it.
- Turn the collet nut **36** counterclockwise with the supplied 22 mm wrench **13** to tighten it.

## Removing a Cutter

- Press the spindle lock button **8** forward until the router spindle is lock.
- Turn the collet nut **9** clockwise with the supplied 22 mm wrench **13** to loosen.
- Keep turning the wrench until the collet nut tightens and then loosens again. This is the fail-safe mechanism releasing the collet.
- The cutter should now slide out.  
**NOTE:** Each time you finish using a cutter, remove it and store it in a safe place.

## Fine Height Adjuster (Fig. A, D, E)



**CAUTION:** Ensure that the plunge locking lever is unlocked. Never use unnecessary force to rotate the fine height adjuster mechanism.



**CAUTION:** Do not remove the screw on hex nuts.

The fine height adjuster can be used in portable mode or when the router is held inside a table.

## Adjusting the Depth of Cut (Fig. A, D, E)

Your router is equipped with a high-precision depth adjustment system including a zero reset ring for both the quick height adjuster and the fine height adjuster.

## Quick Adjustment Using the Graduation with Zero Reset Ring

- Loosen the depth stop quick height adjuster lock **15**.
- Unlock the plunge limiter by pushing the release lever **6** down.
- Lower the router carriage until the cutter is in contact with the workpiece.
- Press the quick locking button **7**.
- Set the quick height adjuster **16** to zero and reset the fine adjust reset ring **19** to zero. The depth stop bar **12** must be in contact with the turret stop **11**.
- Adjust the depth of cut using the quick height adjuster **16** and the corresponding graduation. The adjusted depth of cut is indicated by the pointer **17**.
- Tighten the quick height adjuster lock **15**.

## Fine Adjustment

When not using a depth template, or if the depth of cut needs readjustment, it is recommended to use the fine height adjuster **18**.

- Adjust the depth of cut as described in **Adjusting the Depth of Cut**.
- Set the fine height adjuster to zero using the fine zero reset ring **19**.
- Rotate the fine height adjuster **18** to the required position: one turn corresponds to approximately 1 mm and 1 mark to 0.1 mm.

## Fitting a Guide Bush (Fig. H)

Together with a template, guide bushes play a valuable part in cutting and shaping to a pattern.

- Fit the guide bush **24** to the router base **10** using the screws **25** as shown.

## Fitting the Parallel Fence (Fig. I, J)

- Fit the guide rod **26** to the router base **10**.
- Slide the parallel fence **27** over the rods.
- Tighten the wing bolts **28** temporarily.

## Adjusting the Parallel Fence (Fig. A, I, J)

- Draw a cutting line on the material.
- Lower the router carriage until the cutter is in contact with the workpiece.
- Push quick release button **7** and limit the carriage return using the thumb wheel **4**.
- Position the router on the cutting line.
- Slide the parallel fence **27** against the workpiece and tighten the wing bolts **28**.
- Adjust the parallel fence using the fine adjustment knob **29**. The outer cutting edge of the cutter must coincide with the cutting line.
- If required, loosen the screws **30** and adjust the strips **31** to obtain the desired guiding length.



## Dust Extraction (Fig. A, K, P)

Dust from materials such as lead-containing coatings and some wood types, can be harmful to one's health. Breathing-in the dust can cause allergic reactions and/or lead to respiratory infections of the user or bystanders.

Certain dust, such as oak or beech dust, is considered carcinogenic, especially in connection with wood-treatment additives.

Observe the relevant regulations in your country for the materials to be worked.

The vacuum cleaner must be suitable for the material being worked.

When vacuuming dry dust that is especially detrimental to health or carcinogenic, use dust class M vacuum cleaner.

## Connecting Dust Extraction Adaptor (Fig. K)

The dust extraction adaptor consists of a main section **32**, a cover **33**, an extraction tube adaptor **34**, one extraction tube screw **37**, two base screws **52** and two nuts **53**.

- Slide the cover **33** onto the main section **32** until it clicks into place.
- Place the main section **32** on the base and secure with two screws **52** and nuts **53**.
- Remove screw **37** from the top of the router and use this screw to assemble the extraction tube adaptor **34** to the router.

## Connecting Dust Extractor Hose (Fig. P)

**WARNING:** Risk of dust inhalation. To reduce the risk of personal injury, **ALWAYS** wear an approved dust mask.

A dust extraction tube adaptor **34** is supplied with your tool.

Vacuum hoses on most vacuum extractors will fit directly into the dust extraction spout.



**WARNING: ALWAYS** use a vacuum extractor designed in compliance with the applicable directives regarding dust emission when sawing wood. Vacuum hoses of most common vacuum cleaners will fit directly into the dust extraction outlet.

- Connect a dust extractor hose **38** to the extraction tube adaptor **34** using the DEWALT AirLock system.

**NOTE:** When using dust extraction, be sure that the dust extractor is out of the way and secure so that it will not tip over or interfere with the router or workpiece. The dust extractor hose and power cord must also be positioned so that they do not interfere with the router or workpiece. If the dust extractor or dust extractor hose cannot be positioned properly, it should be removed.

## OPERATION

### Instructions for Use



**WARNING:** Always observe the safety instructions and applicable regulations.



**WARNING:** To reduce the risk of serious personal injury, turn tool off and disconnect tool from power source before making any adjustments or removing/installing attachments or accessories. An accidental start-up can cause injury.

### Proper Hand Position (Fig. O)



**WARNING:** To reduce the risk of serious personal injury, **ALWAYS** use proper hand position as shown.



**WARNING:** To reduce the risk of serious personal injury, **ALWAYS** hold securely in anticipation of a sudden reaction.

Proper hand position requires both hands on the main handles **2**.

### Using the Router (Fig. A, L)



**CAUTION:** Turn the router on before plunging the cutter head into the workpiece.

**CAUTION:**

- Excessive cutting may cause overload of the motor or difficulty in controlling the tool, the depth of cut should not be more than 15 mm (19/32") at a pass when cutting grooves with a 8 mm (5/16") diameter bit.
- When cutting grooves with a 20 mm (25/32") diameter bit, the depth of cut should not be more than 5 mm (3/16") at a pass.
- For extra deep grooving, make two or three passes with progressively deeper bit settings.

**CAUTION:**

- After long periods of working at low speeds, allow the machine to cool down by running it for three minutes at maximum speed, with no load.

All common routing tasks can be performed with the plunge cut router on all types of wood and plastic:

- Grooving
- Rabbeting

- Recessing
- Veining
- Profiling

To prevent overload of the tool by using the wrong speed selection, follow the recommended settings below:

MATERIAL	CUTTER DIAMETER	
	10 - 30 mm	30 - 50 mm
	SPEED SELECTION	
Hardwood	7 - 5	6 - 2
Softwood	7 - 6	7 - 5
Chipboard Faced	7 - 6	7 - 4
Plastic	7 - 5	7 - 4

**NOTE:** Only carbide-tipped cutters should be used on panels faced with plastic laminates. The hard laminates will quickly dull steel cutters.

**NOTE:** For better plunge sliding movement, frequently clean the columns of dust or debris. If the plunging movement is not moving as smooth as desired, lubricate the columns with a dry teflon lubricant.

1. After setting the cutting depth as described, locate the router such that the bit is directly over the place you will be cutting.
2. With the router running, lower the unit smoothly down into the workpiece. **DO NOT JAM THE ROUTER DOWN.**
3. When the tool reaches the pre-set depth, push the quick release button **7** to lock.
4. When you have finished routing, push the plunge lock lever **6** to unlock and let the spring lift the router directly out of the workpiece.
5. Always feed the router opposite to the direction in which the cutter is rotating. Refer to Fig. L.

## On/Off Trigger Switch (Fig. A)



**WARNING:** To reduce the risk of serious personal injury, turn unit off and disconnect it from power source before making any adjustments or removing/installing attachments or accessories. An accidental start-up can cause injury.

1. To turn the unit on, squeeze the on/off trigger switch **3**. Continue to squeeze the trigger switch or press the lock on button switch **20** for continuous running.
2. To turn the unit off:
  - a. If lock on trigger is engage, release the lock on button by squeezing and releasing trigger.
  - b. If the lock on switch is not engage, fully release the trigger.

## Variable Speed Dial (Fig. A)



**WARNING:** If the speed control ceases to operate, or is intermittent, stop using the tool immediately. Take it to a DEWALT factory or authorized service facility for repair.

**NOTICE:** The router is equipped with electronics to monitor and maintain the speed of the tool while cutting.

In low and medium speed operation, the speed control prevents the motor speed from decreasing. If you expect to hear a speed change and continue to load the motor, you could damage the motor by overheating. Reduce the depth of cut and/or slow the feed rate to prevent tool damage.

Refer to the **Speed Selection Chart** to choose a router speed. Turn the speed dial **1** to control router speed. The speed is variable from 9000 to 22000 rpm using the speed dial **1**.

1. Turn the speed dial to the required position. The dial is numbered from 1 –7 and corresponds to router speeds of 9000 rpm to 22000 rpm.
2. Use the slower settings for large diameter cutters and the faster settings for small diameter cutters.
3. The correct setting will also depend on the density of the material, depth of cut and feed speed of the router.

**NOTE:** A noticeable loss of motor rpm means motor overload.

SPEED SELECTION CHART	
DIAL SETTING	APPROXIMATE RPM
<b>1</b>	9000
<b>2</b>	11000
<b>3</b>	13000
<b>4</b>	15000
<b>5</b>	18000
<b>6</b>	20000
<b>7</b>	22000

The speeds in this chart are approximate and are for reference only. Your router may not produce the exact speed listed for the dial setting.



**WARNING:** Always follow the bit manufacturer's speed recommendations as some bit designs require specific speeds for safety or performance.

If you are unsure of the proper speed or are experiencing any type of problem, contact the bit manufacturer.



## LED Worklight (Fig. F)



**CAUTION:** Do not stare into worklight. Serious eye injury could result.

Two LED worklights **57** are located next to the collet assembly **9**.

1. The worklights **57** will constantly illuminate when the router is connected to the mains power supply.
2. To switch off the worklights the router must be disconnected from mains power supply.

**NOTE:** The worklight is for lighting the immediate work surface and is not intended to be used as a flashlight.

## Setting Plunge Lock System (Fig. B)

The plunge is fully automatically locking for all cuts. For heavy cut operations, ensure to push the lever towards the tool body. The plunge lock lever **6** position is set at the factory so the lever does not touch the motor body, if the plunge lock lever begins to hit the body when the quick release lever is pushed, readjust the locking lever position as follows:

1. Push in quick release button **7**. The plunge lever lock will unlock automatically.
2. Using a Torx 20 star bit **39**, loosen the shoulder screw **54** on the plunge lock lever **6** with six counterclockwise turns.

**Do not fully remove.**

3. Lift the plunge lock lever, rotate and reposition the plunge lock lever at position 2 (at eleven o'clock).
4. Tighten the shoulder screw.
5. If after setting to position 2 sliding is not correct, repeat steps 1 to 3 and reposition the lock lever at position 1. Tighten the shoulder screw.

## Moulding Natural Timbers

 **WARNING:** When routing always lock the plunge locking lever.

When edge moulding natural timbers, always mould the end grain first, followed by the long grain. This ensures that if there is breakout, it will be removed when the long grain is routed.

## Setting the Routing Depth (Fig. D, E)

1. Place the router with cutter fitted on to the workpiece.
2. Set the multiple position turret stop **11** as required.
3. Loosen the knob quick adjustment **15** securing the depth stop **12**.
4. Push down the plunging lock lever **6** to start plunging.
5. Lower the router slowly until the cutter touches the workpiece and secure it in place by pushing quick release button **7**.
6. Rotate the quick height adjuster **16** until the depth stop bar **12** touches multiple turret stop **13**. Secure in position by tightening the quick height adjuster lock **15**.
7. If the depth of cut needs re-adjustment, it is recommended to use quick depth adjuster **16** for gross settings, or the fine height adjuster for accurate settings.
8. Adjust the depth of cut using the fine height adjuster **18**.

**NOTE:** One turn of the fine height adjuster **18** corresponds to 1 mm (3/64"), one turn of the quick height adjuster **15** corresponds to 40 mm (1-1/2")


9. Read the depth of cut using the quick zero reset ring **14** and fine zero reset ring **19**.
10. The distance between the top of the revolving depth stop and the bottom of the depth stop is the required depth of cut.
11. The rotating turret stop screws **11** can be used for setting up to three depths of cut. The height can be adjusted using a flat screwdriver and a 8 mm (5/16") wrench.

**NOTE:** By rotating the turret stop, three depth settings can be quickly made.

## Fine Height Adjuster (Fig. D)

This router has a built in fine height adjuster. This should be used when fine height adjustment of the cutter is required. This is especially recommended when using dovetail jigs or router tables.

## Direction Of Feed (Fig. L)

 **WARNING:** Avoid climb-cutting (cutting in direction opposite than shown in Fig. L). Climb-cutting increases the chance for loss of control resulting in possible injury. When climb-cutting is required (backing around a corner), exercise extreme caution to maintain control of router. Make smaller cuts and remove minimal material with each pass.

The direction of feed is very important when routing and can make the difference between a successful job and a ruined project. Fig. L show proper direction of feed for most cuts.


1. When routing along an edge, the direction of the router travel should be against that of the rotation of the cutter. This will create the correct cutting action and prevent the cutter from snatching. It will also pull the router towards the workpiece and the side fence or guide bearing will be less likely to wander from the edge of the workpiece.

## Feed Speed

The speed at which the cutter is fed into the wood must not be too fast that the motor slows down, or too slow that the cutter leaves burn marks on the face of the wood.

**NOTE:** Practice judging the speed by listening to the sound of the motor when routing.

## Sequence of Plunging

 **WARNING:** When routing always lock the plunge locking lever.

1. Plunge down and lock the motor carriage, by pushing quick release button **7**.
2. Perform the desired routing operation.
3. Push down the plunge lock lever **6** and the motor carriage returns to the normal position.

## Using a Side Fence (Fig. M)

 **CAUTION:** Ensure working position is comfortable and at a suitable working height.

1. Ensure the wing bolts **28** are fully released. Slide the guide rods **26** into the routing base **10** and tighten the wing bolts.
2. Adjust the fence fine adjustment knob **29** to the required distance and clamp in place with the wing bolts **28**.
3. Then lower the cutter height until the cutter is just above the workpiece.
4. Fine adjustments are possible by loosening the wing bolt **28** and adjusting the side fence fine adjustment knob **29**.
5. Tighten the wing bolt **28** to secure the position.

**NOTE:** One revolution of the side fence fine adjustment knob **29** equals 3/64" (1.0 mm) of side feed.



- Lower the cutter onto the workpiece and set the cutter height by to the required distance. Refer to **Setting the Router Depth**.
- Switch the router on and after the cutter reaches full speed, gently lower the cutter into the workpiece and lock the plunge.
- Feed along the workpiece, keeping sideways pressure to ensure the side fence does not wander away from the workpiece edge and downward pressure on the inside hand to prevent the router from tipping.
- When finished, raise the router, secure with the plunge locking lever **6** and switch the router off.  
**NOTE:** When starting the cut, keep the pressure on the front cheek until the back cheek contacts the workpiece edge.  
**NOTE:** At the end of the cut, keep pressure on the back cheek until the cut is finished. This will prevent the router cutter swinging in at the end of the workpiece and nipping the corner.

## Side Fence Routing (Fig. I, J)

The side fence is used to guide the router when moulding, edge profiling or rebating the edge of a workpiece or when routing grooves and slots in the center of the workpiece, parallel to the edge.

The edge of the workpiece must be straight and true.

The strips **31** are adjustable and should be set ideally with a 1/8" (3 mm) gap each side of the cutter.

## Guiding Off a Batten

Where an edge guide cannot be used, it is also possible to guide the router along a batten clamped across the workpiece (with an overhang at both ends.)

## Freehand Routing

**WARNING:** Make shallow cuts only!  
Use cutters with a max. diameter of 6 mm.

Your router can also be used without any sort of guide, e.g. for signwriting or creative work.

## Table Mode (Fig. Q)

### (DWE627 ONLY)

**WARNING:** Before DWE627 is installed into the router table, check that the router table meets all of the legal safety requirements for router tables. Read all safety warnings, instructions, and specifications provided with the router table. Failure to follow all instructions and safety rules may result in electric shock, fire and/or serious injury.

**WARNING:** To reduce the risk of serious personal injury, turn unit off and disconnect it from power source before making any adjustments or removing/installing attachments or accessories. An accidental start-up can cause injury.

**WARNING:** Do not use the DWE627 as a handheld router if the power switch box is connected.

**CAUTION:** If there is dust inside the power switch socket, clean it out before using the power switch box.

- To connect the power switch box **42** to the router, disconnect the tool from its power source.
- Attach the power switch box **42** to the workbench in a position easily accessible by hand and where unintentional switching on is prevented.  
**NOTE:** The external switch can be secured to the router table with the four mounting holes.
- The cable must be installed and fastened in such a way that it cannot be squeezed or touch sharp edges.
- Push in on the lock button **43** located on the left side handle **44** with a pen or a small screwdriver to unlock the handle cap **45**.  
**NOTE:** If there is dust inside the power switch socket, clean it out before using the power switch box.
- Keep pushing the lock button **43** in and rotate the handle cap **45** to access the power switch socket **46**.
- Ensure the paddle switch of the power switch box is in the off position before connecting to the power switch socket.
- Connect power switch box plug **47** to the power switch socket **46**.
- Thread the ring nut **48** of power switch box plug **47** to the power switch socket **46** to lock it securely in place.
- Attach the plunge router under the workbench, as required per your application or the instruction for the router table.
- Plug the tool back into its power source. The router can now switched on and off by acting on paddle **49** on the power switch box **42**.
- Pull out the paddle **49** to start the tool and push in the paddle to switch it off.

## Depth Adjustment with the Router Installed in Inverted Position (Fig. G)

**WARNING:** For installing the router in inverted position, refer to the relevant instruction manual on the stationary tool.

- Remove the cap nut **51** and the thumb wheel **4** and replace it with the height adjusting tool (DE6966) available as an option.
- Screw the threaded end of the height adjusting tool to the height stop rod **5**.
- Set the depth of cut using the adjuster on the height adjusting tool.

## Routing with Pilot Cutters (Fig. R)

Where a parallel guide or guide bush are inappropriate, it is possible to use pilot cutters **50** for cutting shaped edges. These include collets (6 – 12.7 mm), a height adjusting tool and router table for use in inverted position, finger jointing tools for dovetail and finger jointing jigs, dovetail jointing templates, adjustable guide bush holder and guide bushes and guide rails in various lengths.

## MAINTENANCE

Your power tool has been designed to operate over a long period of time with a minimum of maintenance. Continuous satisfactory operation depends upon proper tool care and regular cleaning.



**WARNING:** To reduce the risk of serious personal injury, turn tool off and disconnect tool from power source before making any adjustments or removing/installing attachments or accessories. An accidental start-up can cause injury.

## Repairs



**WARNING:** To assure product SAFETY and RELIABILITY, repairs, maintenance and adjustment (including power cord repairs, and brush inspection and replacement, when applicable) should be performed by a DEWALT factory service center or a DEWALT authorized service center. Always use identical replacement parts.



## Lubrication

Your power tool requires no additional lubrication.



## Cleaning



**WARNING:** Blow dirt and dust out of the main housing with dry air as often as dirt is seen collecting in and around the air vents. Wear approved eye protection and approved dust mask when performing this procedure.



**WARNING:** Never use solvents or other harsh chemicals for cleaning the non-metallic parts of the tool. These chemicals may weaken the materials used in these parts. Use a cloth dampened only with water and mild soap. Never let any liquid get inside the tool; never immerse any part of the tool into a liquid.


## Optional Accessories



**WARNING:** Since accessories, other than those offered by DEWALT/FATMAX, have not been tested with this product, use of such accessories with this tool could be hazardous. To reduce the risk of injury, only FATMAX/DEWALT recommended accessories should be used with this product.

Consult your dealer for further information on the appropriate accessories.

## Base Mounting Points for Accessories (Fig. N)

This router has three threaded holes  built into the base that allows it to attach to other accessories.

## Protecting the Environment



Separate collection. Products marked with this symbol must not be disposed of with normal household waste.



Products contain materials that can be recovered or recycled reducing the demand for raw materials. Please recycle electrical products according to local provisions. Further information is available at [www.2helpU.com](http://www.2helpU.com).



# ПОГРУЖНОЙ ФРЕЗЕР

## DWE625, DWE627

### Поздравляем!

Вы приобрели инструмент DEWALT. Многолетний опыт, тщательная разработка изделий и инновации делают компанию DEWALT одним из самых надёжных партнеров для пользователей профессионального электроинструмента.

### Технические характеристики

		DWE625	DWE625	DWE627
Напряжение	$V_{\text{перем. тока}}$	115	230	230
Тип		1	1	1
Потребляемая мощность	Вт	2100	2300	2300
Скорость без нагрузки	об/мин.	9000— 22000	9000— 22000	9000— 22000
Фрезерный блок	мм	2 колонка	2 колонка	2 колонка
Ход фрезерного блока	мм	80	80	80
Макс. диаметр реза	мм	50	50	50
Размер цанги для Европы	мм	12	12	12
Размер цанги для Великобритании и Ирландии	дюйм	1/2	1/2	1/2
Вес	кг	6,1	6,1	6,2

Значения шума и/или вибрации (сумма векторов в трех плоскостях) в соответствии с EN62841-2-17:

$L_{PA}$ (уровень звукового давления)	дБ(А)	94,2	95,1	95,1
$L_{WA}$ (уровень акустической мощности)	дБ(А)	105,2	106,1	106,1
K (погрешность измерения акустической мощности)	дБ(А)	2,5	2,5	2,5
Значения вибрационного воздействия $a_{h,hv} =$	$m/c^2$	4,1	3,1	3,1
Погрешность K =	$m/c^2$	0,31	0,31	0,31

Значение шумовой эмиссии и/или эмиссии вибрации, указанное в данном справочном листке, было получено в соответствии со стандартным тестом, приведенным в EN62841, и может использоваться для сравнения инструментов. Кроме того, оно может использоваться для предварительной оценки воздействия вибрации.

**⚠ ОСТОРОЖНО!** Заявленное значение шумовой эмиссии и/или эмиссии вибрации относится к основным областям применения инструмента. Однако, если инструмент используется для различных целей, с различными дополнительными принадлежностями или при ненадлежащем уходе, то уровень шума и/или вибрации может измениться. Это может привести к значительному увеличению уровня воздействия вибрации в течение всего рабочего периода.

При расчете приблизительного значения уровня воздействия шума и/или вибрации также необходимо учитывать время, когда инструмент выключен или то время, когда он работает на холостом ходу. Это может привести к значительному снижению уровня воздействия вибрации в течение всего рабочего периода. Определите дополнительные меры техники безопасности для защиты оператора от воздействия шума и/или вибрации, а именно: поддержание инструмента и дополнительных принадлежностей в рабочем состоянии, создание комфортных условий работы (соответствующих вибрации), хорошая организация рабочего места.

### Декларация о соответствии нормам ЕС

#### Директива по механическому оборудованию



#### DWE625, DWE627

#### Погружной фрезер

DEWALT заявляет, что продукция, описанная в разделе «Технические характеристики», соответствует:

2006/42/ЕС, EN62841-1:2015 + АС:2015; EN62841-2-17:2017.

Эти продукты также соответствуют Директивам 2014/30/EU и 2011/65/EU. За дополнительной информацией обращайтесь в компанию DEWALT по адресу, указанному ниже или приведенному на задней стороне обложки руководства.

Нижеподписавшийся несет ответственность за составление технической документации и составил данную декларацию по поручению компании DEWALT.


Маркус Ромпель (Markus Rompel)  
Вице-президент отдела по разработке и производству,  
PTE-Europe  
DEWALT, Richard-Klinger-Straße 11,  
65510, Idstein, Germany  
08.09.2021





**ВНИМАНИЕ:** Во избежание риска получения травм ознакомьтесь с инструкцией.

### Обозначения: правила техники безопасности

Ниже описывается уровень опасности, обозначаемый каждым из предупреждений. Прочитайте руководство и обратите внимание на данные символы.

 **ОПАСНО:** Обозначает опасную ситуацию, которая неизбежно приведет к **серьезной травме или смертельному исходу**, в случае несоблюдения соответствующих мер безопасности.

 **ВНИМАНИЕ:** Указывает на потенциально опасную ситуацию, которая, в случае несоблюдения соответствующих мер безопасности, может привести к **серьезной травме или смертельному исходу**.


 **ПРЕДУПРЕЖДЕНИЕ:** Указывает на потенциально опасную ситуацию, которая, в случае несоблюдения соответствующих мер безопасности **может** стать причиной травм **средней или легкой степени тяжести**.

**ПОЯСНЕНИЕ:** Указывает на практики, использование которых не связано с получением травмы, но если ими пренебречь, могут привести к **порче имущества**.

 Указывает на риск поражения электрическим током.

 Указывает на риск возгорания.

## ОБЩИЕ ПРАВИЛА ТЕХНИКИ БЕЗОПАСНОСТИ ПРИ ИСПОЛЬЗОВАНИИ ЭЛЕКТРОИНСТРУМЕНТОВ

 **ВНИМАНИЕ:** Прочитайте и просмотрите все предупреждения, инструкции, иллюстрации и спецификации по данному электроинструменту. Несоблюдение всех приведенных ниже инструкций может стать причиной поражения электрическим током, возгорания и/или тяжелой травмы.

### СОХРАНИТЕ ВСЕ ИНСТРУКЦИИ ДЛЯ ПОСЛЕДУЮЩЕГО ИСПОЛЬЗОВАНИЯ

Термин «электроинструмент» в предупреждениях относится к работающим от сети (проводным) электроинструментам или работающим от аккумуляторной батареи (беспроводным) электроинструментам.

#### 1) Безопасность на рабочем месте

- Следите за чистотой и хорошим освещением на рабочем месте.** Захламленное или плохо освещенное рабочее место может стать причиной несчастного случая.
- Запрещается работать с электроинструментами во взрывоопасных местах, например, вблизи легковоспламеняющихся жидкостей, газов и пыли.** Искры, которые появляются при работе электроинструментов могут привести к воспламенению пыли или паров.
- Следите за тем, чтобы во время работы с электроинструментом в зоне работы не было посторонних и детей.** Отвлекаясь

от работы вы можете потерять контроль над инструментом.

#### 2) Электробезопасность

- Штепсельная вилка электроинструмента должна соответствовать розетке. Никогда не меняйте вилку инструмента. Запрещается использовать переходники к вилкам для электроинструментов с заземлением.** Использование оригинальных штепсельных вилок, соответствующих типу сетевой розетки снижает риск поражения электрическим током.
- Избегайте контакта с заземленными поверхностями, такими как трубы, радиаторы и холодильники.** Если вы будете заземлены, увеличивается риск поражения электрическим током.
- Запрещается оставлять электроинструмент под дождем и в местах повышенной влажности.** При попадании воды в электроинструмент риск поражения электротоком возрастает.
- Берегите кабель от повреждений. Никогда не используйте кабель для переноски инструмента, не тяните за него, пытайтесь отключить инструмент от сети. Держите кабель подальше от источников тепла, масла, острых углов или движущихся предметов.** Поврежденный или запутанный кабель питания повышает риск поражения электрическим током.
- При работе с электроинструментом на открытом воздухе используйте удлинитель, подходящий для использования на улице.** Использование кабеля питания, предназначенного для использования вне помещения, снижает риск поражения электрическим током.
- Если использование электроинструмента в условиях повышенной влажности неизбежно, используйте устройства защитного отключения (УЗО) для защиты сети.** Использование УЗО сокращает риск поражения электрическим током.

#### 3) Обеспечение индивидуальной безопасности

- Будьте внимательны, смотрите, что делаете и не забывайте о здравом смысле при работе с электроинструментом. Запрещается работать с электроинструментом в состоянии усталости, наркотического, алкогольного опьянения или под воздействием лекарственных препаратов.** Невнимательность при работе с электроинструментом может привести к серьезным телесным повреждениям.
- Используйте индивидуальные средства защиты. Всегда используйте защитные очки.** Средства защиты, такие как пылезащитная маска, обувь с нескользящей подошвой, каска и защитные наушники, используемые при работе, уменьшают риск получения травмы.

- c) **Примите меры для предотвращения случайного включения. Перед тем как подключить электроинструмент к сети и/или аккумуляторной батарее, взять инструмент или перенести его на другое место, убедитесь в том, что выключатель находится в положении «Выкл.».** Если при переноске электроинструмента он подключен к сети, и при этом ваш палец находится на выключателе, это может стать причиной несчастных случаев.
- d) **Уберите все регулировочные или гаечные ключи перед включением электроинструмента.** Ключ, оставленный на вращающейся части электроинструмента, может привести к травме.
- e) **Не пытайтесь дотянуться до слишком удаленных поверхностей. Обувь должна быть удобной, чтобы вы всегда могли сохранять равновесие.** Это позволит лучше контролировать электроинструмент в непредвиденных ситуациях.
- f) **Одевайтесь соответствующим образом. Избегайте носить свободную одежду и ювелирные украшения. Следите за тем, чтобы волосы и одежда не попадали под движущиеся детали.** Возможно наматывание свободной одежды, ювелирных изделий и длинных волос на движущиеся детали.
- g) **При наличии устройств для подключения оборудования для удаления и сбора пыли необходимо обеспечить правильность их подключения и эксплуатации.** Использование устройства для пылеудаления сокращает риски, связанные с пылью.
- h) **Не позволяйте хорошему знанию от частого использования инструментов стать причиной самонадеянности и игнорирования правил техники безопасности.** Небрежное действие может повлечь серьезные травмы за долю секунды.

#### 4) Эксплуатация электроинструмента и уход за ним

- a) **Избегайте чрезмерной нагрузки электроинструмента. Используйте электроинструмент в соответствии с назначением.** Правильно подобранный электроинструмент выполнит работу более эффективно и безопасно при стандартной нагрузке.
- b) **Не пользуйтесь инструментом, если не работает выключатель.** Любой инструмент, управляемый выключением и включением которого невозможно, опасен, и его необходимо отремонтировать.
- c) **Перед выполнением любых настроек, сменой аксессуаров или прежде чем убрать инструмент на хранение, отключите его от сети и/или снимите с него аккумуляторную батарею, если ее можно снять.** Такие превентивные меры безопасности сокращают риск случайного включения электроинструмента.

- d) **Храните электроинструмент в недоступном для детей месте и не позволяйте работать с инструментом людям, не имеющим соответствующих навыков работы с такого рода инструментами.** Электроинструмент представляет опасность в руках неопытных пользователей.
- e) **Поддерживайте электроинструмент и принадлежности в исправном состоянии. Проверьте, не нарушена ли центровка или не заклинены ли движущиеся детали, нет ли повреждений или иных неисправностей, которые могли бы повлиять на работу электроинструмента. В случае обнаружения повреждений, прежде чем приступить к эксплуатации электроинструмента, его нужно отремонтировать.** Большинство несчастных случаев происходит из-за электроинструментов, которые не обслуживаются должным образом.
- f) **Содержите режущий инструмент в остро заточенном и чистом состоянии.** Вероятность заклинивания инструмента, за которым следят должным образом и который хорошо заточен, значительно меньше, а работать с ним легче.
- g) **Используйте электроинструменты, принадлежности и насадки в соответствии с данными инструкциями, принимая во внимание условия работы и характер выполняемой работы.** Использование электроинструмента для выполнения операций, для которых он не предназначен, может привести к созданию опасных ситуаций.
- h) **Все рукоятки и поверхности захватывания должны быть сухими и без следов смазки.** Скользкие рукоятки и поверхности захватывания не позволяют обеспечить безопасность работы и управления инструментом в непредвиденных ситуациях.

#### 5) Обслуживание

- a) **Обслуживание электроинструмента должен проводить квалифицированный специалист с использованием только оригинальных запасных частей.** Это позволит обеспечить безопасность обслуживаемого электрифицированного инструмента.

#### Правила техники безопасности для фрезеров

- a) **Удерживайте электроинструмент за изолированную поверхность, так как существует вероятность контакта инструмента с собственным проводом.** Если вы держитесь за металлические детали, то в случае контакта с находящимся под напряжением проводом, возможно поражение электрическим током.

- b) **Используйте зажимы или другие подходящие средства для фиксации заготовки на стабильной опоре.** Держать деталь на весу или в руках перед собой неудобно и это может привести к потере контроля над инструментом.
- c) **Поверхность рукояток должна быть сухой, чистой и не содержать следов масла и смазки.** Это позволит лучше контролировать инструмент.
- d) **Крепко удерживайте инструмент обеими руками в момент пуска.** Во время работы всегда держите инструмент крепко.
- e) **Держите руки на расстоянии от области распила и диска. Никогда ни по какой причине не держите руки под заготовкой.** При резке держите основание фрезера плотно прилегающим к заготовке.
- f) **Не прикасайтесь к насадке непосредственно после работы. Она может быть очень горячей.**
- g) **Прежде чем положить фрезер, убедитесь, что двигатель полностью остановился.** Если положить фрезер, когда насадка еще вращается, можно спровоцировать травмы или повреждения.
- h) **Перед запуском двигателя, убедитесь, что насадка фрезера снята с заготовки.** Касание заготовки насадкой при запуске двигателя может вызвать резкий скачок фрезера и стать причиной повреждений или травм.
- i) **Разрешенная скорость режущей насадки должна, как минимум, равняться максимальной скорости, указанной на электроинструменте.** Режущая насадка, которая вращается со скоростью, превышающей ее номинальную скорость вращения, может разрушиться и отлететь в сторону.
- j) **При выборе скорости всегда следуйте рекомендациям производителя насадок, поскольку особенности конструкции некоторых насадок в целях обеспечения безопасности или производительности требуют определенных скоростей.** Если вы не уверены в правильности выбора скорости или столкнулись с какими-либо проблемами, обратитесь к производителю насадки.
- k) **Не используйте с этим инструментом фрезу диаметром более 50 мм.**

- риск получения травмы в результате продолжительной работы.

## СОХРАНИТЕ НАСТОЯЩЕЕ РУКОВОДСТВО

### Электробезопасность

Электродвигатель рассчитан на работу только при одном напряжении сети. Необходимо обязательно убедиться в том, что напряжение источника питания соответствует указанному на паспортной табличке электроинструмента.



Ваш инструмент DEWALT имеет двойную изоляцию в соответствии со стандартом EN62841, поэтому заземляющий провод не требуется.

Инструмент DWE625 LX (115V) предназначен для использования с защитным трансформатором, изготовленным в соответствии с BSEN61558 и BS4343. Категорически запрещается эксплуатировать инструмент без установленного трансформатора.

Поврежденный кабель питания должен заменяться только со стороны DEWALT или в авторизованном сервисном центре.

### Замена штепсельной вилки (только для Великобритании и Ирландии)

Если необходимо установить новую штепсельную вилку:

- Осторожно снимите старую вилку.
- Подсоедините коричневый провод к терминалу фазы в вилке.
- Подсоедините синий провод к нулевому терминалу.



**ВНИМАНИЕ:** Заземление не требуется.

Соблюдайте инструкции по установке высококачественных вилок. Рекомендуемый предохранитель для вилки 230 В в Великобритании: 13 А.

### Установка сетевой вилки на инструментах 115 В (только для Великобритании и Ирландии)

- Установленная вилка должна соответствовать стандарту BS EN 60309 (BS4343), 32 А.



**ВНИМАНИЕ:** Всегда следите за тем, чтобы кабельный зажим был правильно и надежно закреплен на оплетке кабеля!

### Использование удлинительного кабеля

При необходимости использования удлинительного кабеля, используйте только утвержденные 3-х жильные кабели промышленного изготовления, рассчитанные на мощность не меньшую, чем потребляемая мощность данного прибора (см. раздел «Технические характеристики»). Минимальный размер проводника должен составлять 1,5 мм<sup>2</sup>; максимальная длина — 30 м.

При использовании кабельного барабана всегда полностью разматывайте кабель.

### Остаточные риски



**ОСТОРОЖНО!** Рекомендуется использовать устройство защитного отключения (УЗО) с током утечки до 30 мА.

Несмотря на соблюдение соответствующих инструкций по технике безопасности и использование предохранительных устройств, некоторые остаточные риски невозможно полностью исключить. А именно:

- ухудшение слуха;
- риск травм от разлетающихся частиц;
- риск получения ожогов в результате нагревания инструмента в процессе работы;

## Комплект поставки

В упаковку входят:

- 1 Фрезер
- 1 Цанга 12 мм (1/2" для Великобритании и Ирландии)
- 1 Параллельная направляющая
- 2 Направляющих стержня
- 1 Направляющая втулка (30 мм)
- 1 Ключ 22 мм
- 1 Труба для пылеудаления
- 1 Дистанционный блок переключателей (только DWE627)
- 1 Руководство по эксплуатации
- Проверьте инструмент, детали и дополнительные принадлежности на предмет повреждений, которые могли произойти во время транспортировки.
- Перед эксплуатацией внимательно прочтите данное руководство.

## Маркировка на инструменте

На инструмент нанесены следующие обозначения:



Перед началом работы прочтите руководство по эксплуатации.



Используйте защитные наушники.



Используйте защитные очки.



Видимое излучение. Не направляйте луч в глаза.

## Место положения кода даты (Рис. [Fig.] A)

Код даты **56**, который также включает в себя год изготовления, отштампован на поверхности корпуса инструмента.

Пример:

2020 XX XX  
Год изготовления

## Описание (Рис. A)



**ВНИМАНИЕ:** *Никогда не вносите изменения в конструкцию электроинструмента или какой-либо его части. Это может привести к повреждениям или травмам.*

- 1 Дисковой переключатель скорости
- 2 Основные рукоятки
- 3 Курковый пусковой выключатель
- 4 Накатная гайка
- 5 Стержень ограничителя высоты
- 6 Рычаг блокировки погружения
- 7 Отпирающая кнопка
- 8 Кнопка блокировки шпинделя
- 9 Цанговый узел
- 10 Основание

- 11 Многопозиционный упор ограничителя головки
- 12 Ограничитель глубины
- 13 Ключ 22 мм
- 14 Кольцо быстрого возврата нуля
- 15 Блокировка быстрого регулятора высоты
- 16 Быстрый регулятор высоты
- 17 Указатель
- 18 Точный регулятор
- 19 Кольцо точного возврата нуля
- 20 Кнопка блокировки пускового выключателя

## Назначение

Фрезеры DWE625 и DWE627 повышенной эксплуатационной надежности разработаны для профессионального фрезерования древесины, древесных материалов и пластмасс.

Эти фрезеры предназначены для обработки пазов, кромок, профилей и прорезей, а также для копировального фрезерования.

**НЕ ИСПОЛЬЗУЙТЕ** в условиях повышенной влажности или поблизости от легковоспламеняющихся жидкостей или газов.

Фрезеры DWE625 и DWE627 являются профессиональными электроинструментами.

Фрезер DWE627 разработан таким образом, чтобы его можно было установить в фрезерный стол. Фрезер можно устанавливать только на столы, которые отвечают законодательно установленным требованиям безопасности для фрезерных столов.

**НЕ ПОЗВОЛЯЙТЕ** детям прикасаться к инструменту.

Использование инструмента неопытными пользователями должно происходить под контролем опытного лица.

- **Малолетние дети и люди с ограниченными физическими возможностями.** Этот инструмент не предназначен для использования малолетними детьми или людьми с ограниченными физическими возможностями кроме как под контролем лица, отвечающего за их безопасность.
- Данный инструмент не предназначен для использования лицами (включая детей) с ограниченными физическими, психическими и умственными возможностями, не имеющими опыта, знаний или навыков работы с ним, если они не находятся под наблюдением лица, ответственного за их безопасность. Никогда не оставляйте детей с этим инструментом без присмотра.



**ПРЕДУПРЕЖДЕНИЕ:** *Перед началом работы с любым из элементов управления прочтите следующие разделы.*

## Рычаг блокировки погружения (Рис. B)

Рычаг блокировки погружения **6** позволяет остановить рабочую насадку на заданной высоте.



1. Нажимайте на рычаг блокировки погружения **6** до тех пор, пока не услышите щелчок в том месте, где фреза должна погрузиться в заготовку.
2. Вы можете опускать устройство до тех пор, пока оно не достигнет заданного положения.
3. Чтобы зафиксировать инструмент в положении по вертикали, нажмите на отпирающую кнопку **7**.

## Цанги (Рис. С)



**ВНИМАНИЕ:** Риск вылетания. Используйте только насадки с хвостовиками, соответствующими установленному цанговому патрону. Хвостовики насадок меньшего размера не будут стабильны и могут отсоединиться во время работы.



**ПРЕДУПРЕЖДЕНИЕ:** Никогда не затягивайте цангу, не установив на нее сначала насадку. Затягивание пустого цангового патрона, даже рукой, может повредить его.

Цанга входит в комплект поставки данного фрезера.

- 12 мм: Европа
- 1/2 дюйма: Великобритания

1. Чтобы сменить цангу **35**, открутите цанговый узел **9**.
2. Резким движением вытяните старую цангу из цанговой гайки **36** и вставьте новую цангу **35**.
3. Надавите, чтобы новая цанга защелкнулась за пружину фиксатора в цанговой гайке.

## Многопозиционный упор ограничителя головки (Рис. Е)



**ВНИМАНИЕ:** Не меняйте положение ограничителя головки во время работы фрезера. Так ваши руки окажутся слишком близко к фрезерной головке.

Упор ограничителя головки **11** устанавливает расстояние, на которое может быть погружен инструмент. Он имеет три винта разной длины, которые служат для определения глубины реза и останавливают ход ограничителя глубины **12**.

1. Глубину фрезерования можно установить путем выбора винта соответствующей длины.
2. Многопозиционный упор позволяет правильно выравнивать винты.
3. Глубина фрезерования определяется взаимодействием планки ограничителя глубины и упора ограничителя головки.
4. Если ни один из винтов не соответствует желаемой высоте, то чтобы ее добиться, каждый из винтов можно отрегулировать, ослабив шестигранную гайку внизу, а затем либо ввернув винт внутрь, либо вывернув его наружу. После регулирования винта обязательно затяните снизу шестигранную гайку ключом на 8 мм **55**.
5. См. в разделе «Установка глубины фрезерования» инструкции по применению упора ограничителя головки в реальной работе.

## Стержень ограничителя высоты и накатная гайка (Рис. G)

Стержень ограничителя высоты **5** и накатная гайка **4** определяют высоту подъема устройства по направляющим. Система регулируется от самого нижнего положения, когда устройство не может подняться независимо от положения рычага фиксации врезания, до самого верхнего положения, когда нижняя часть цанги приподнята на 80 мм над заготовкой.

Для удобства накатная гайка имеет отпирающую кнопку **23**, которая обеспечивает быстрое позиционирование и позволяет отсоединить резьбу по одному нажатию кнопки в боковой части колесика.

**ПРИМЕЧАНИЕ:** Легче перемещать накатную гайку ограничителя высоты ВВЕРХ, если рычаг блокировки погружения заблокирован, и легче перемещать накатную гайку вниз, если сначала переместить устройство вниз, отпустить рычаг блокировки погружения, а затем затянуть его.

## СБОРКА И РЕГУЛИРОВКА



**ВНИМАНИЕ:** Чтобы снизить риск получения серьезной травмы, необходимо выключить инструмент и отсоединить батарею, прежде чем выполнять какую-либо регулировку либо удалять/устанавливать какие-либо насадки или дополнительные принадлежности.

Случайный запуск может привести к травме.

## Установка и извлечение фрезы (Рис. С, F)



**ВНИМАНИЕ:** Никогда не затягивайте цанговый патрон без установленной насадки.



**ВНИМАНИЕ:** Всегда используйте фрезы с хвостовиками, соответствующими диаметру цанги.



**ВНИМАНИЕ:** Не используйте фрезы более 50 мм, если фрезер не установлен в фрезерном столе.



**ПРЕДУПРЕЖДЕНИЕ:** При снятии фрезы всегда следует соблюдать осторожность, чтобы не порезать пальцы.

## Установка фрезы

1. Вставьте фрезу не менее чем на три четверти длины хвостовика в цанговый узел **9**.
2. Нажимайте на кнопку блокировки шпинделя **8** по направлению вперед, пока шпиндель фрезера не будет заблокирован.  
**ПРИМЕЧАНИЕ:** Возможно, потребуется немного повернуть шпиндель, чтобы закрепить его.
3. Затяните цанговую гайку **36** против часовой стрелки с помощью входящего в комплект поставки ключа на 22 мм **13**.

## Извлечение фрезы

1. Нажимайте на кнопку блокировки шпинделя **8** по направлению вперед, пока шпиндель фрезера не будет заблокирован.
2. Выверните цанговую гайку **9** по часовой стрелке с помощью входящего в комплект поставки ключа на 22 мм **13**.
3. Продолжайте вращать гаечный ключ, пока цанговая гайка не затянется, а затем снова не будет ослаблена. Это предохранительный механизм, который освобождает цангу.
4. Теперь фреза выдвинется.

**ПРИМЕЧАНИЕ:** Каждый раз, когда вы заканчиваете работу с фрезой, снимайте ее и храните в безопасном месте.

## Точный регулятор высоты (Рис. А, D, E)



**ПРЕДУПРЕЖДЕНИЕ:** Убедитесь, что рычаг блокировки погружения разблокирован. Никогда не прилагайте избыточного усилия для поворота механизма точной регулировки высоты.



**ПРЕДУПРЕЖДЕНИЕ:** Не снимайте шестигранные гайки.

Точный регулятор высоты можно использовать в портированном режиме или когда фреза находится внутри стола.

## Регулировка глубины фрезерования (Рис. А, D, E)

Данный фрезер оборудован высокоточной системой регулировки глубины, включая кольцо возврата нуля как для быстрого регулятора высоты, так и для точного регулятора высоты.

### Быстрая регулировка с помощью градуировки с использованием кольца возврата нуля

1. Ослабьте фиксатор быстрого регулятора высоты **15**.
2. Разблокируйте ограничитель погружения, опустив рычаг блокировки погружения **6** вниз.
3. Опустите фрезерный блок, пока фреза не соприкоснется с заготовкой.
4. Нажмите на отпирающую кнопку **7**.
5. Установите быстрый регулятор высоты **16** в нулевое положение и установите кольцо точного возврата нуля **19** на ноль. Ограничитель глубины **12** должен соприкоснуться с упором ограничителя головки **11**.
6. Отрегулируйте глубину фрезерования при помощи быстрого регулятора высоты **16** и соответствующей градуировки. Отрегулированная глубина фрезерования обозначена указателем **17**.
7. Затяните фиксатор быстрого регулятора высоты **15**.

### Тонкая регулировка

Если шаблон глубины не используется или если глубину фрезерования необходимо отрегулировать, рекомендуется использовать точный регулятор высоты **18**.

1. Отрегулируйте глубину реза, как описано в разделе «Регулировка глубины фрезерования».
2. Установите точный регулятор высоты в нулевое положение с помощью кольца точного возврата к нулю **19**.
3. Поверните точный регулятор высоты **18** в необходимое положение: один оборот соответствует приблизительно 1 мм, а 1 отметка — 0,1 мм.

## Установка направляющей втулки (Рис. H)

В совокупности с шаблоном, направляющие втулки играют важную роль в создании узора.

- Установите направляющую втулку **24** на основание фрезера **10** с помощью винтов **25**, как показано на изображении.

## Установка параллельной направляющей (Рис. I, J)

1. Установите направляющие стержни **26** на основание фрезера **10**.
2. Надвиньте параллельную направляющую **27** на стержни.
3. Временно затяните барашковые болты **28**.

## Регулировка параллельной направляющей (Рис. А, I, J)

1. Начертите на заготовке линию пиления.
2. Опускайте фрезерный блок, пока фреза не соприкоснется с заготовкой.
3. Нажмите отпирающую кнопку **7** и с помощью накатной гайки ограничьте возврат каретки **4**.
4. Расположите фрезер на линии пиления.
5. Придвиньте параллельную направляющую **27** вплотную к заготовке и затяните барашковые болты **28**.
6. Отрегулируйте параллельную направляющую с помощью регулятора точной настройки **29**. Наружная режущая кромка фрезы должна совпадать с линией пиления.
7. Если потребуется, ослабьте винты **30** и отрегулируйте планки **31** для достижения нужной длины направляющих штанг.



## Пылеудаление (Рис. А, K, P)

Пыль от материалов, например, с покрытиями, содержащих свинец, и некоторых типов древесины, может нанести вред здоровью. Пыль может вызвать аллергическую реакцию и/или вызвать респираторные заболевания пользователя или посторонних людей.

Некоторые виды древесной пыли, например, дуба или бука, являются канцерогенными, особенно в сочетании с добавками для пропитки древесины.

Соблюдайте соответствующие законодательные нормы, принятые в стране эксплуатации, при выборе рабочих материалов.

Пылесос должен подходить для материалов, с которыми выполняется работа.

Сбор сухой пыли может быть особенно вредным для здоровья и иметь канцерогенное действие, необходимо использовать пылесос класса M.

## Установка переходника для пылеудаления (Рис. К)

Переходник для пылеудаления имеет основную часть **32**, и включает

крышку **33**, переходник патрубка пылеотвода **34**, один винт для патрубка пылеотвода **37**, два винта для основания **52** и две гайки **53**.

1. Надвиньте крышку **33** на основную секцию **32**, пока она не защелкнется на месте.
2. Установите основную часть **32** на основание и закрепите двумя винтами **52** и гайками **53**.
3. Выкрутите винт **37** из верхней части фрезера и используйте этот винт для крепления переходника патрубка пылеотвода **34** к фрезеру.

## Подключение шланга для пылеудаления (Рис. P)

**ВНИМАНИЕ:** Риск вдыхания пыли. Во избежание риска получения травм **ВСЕГДА** надевайте респиратор утвержденного типа.

Переходник патрубка пылеотвода **34** входит в комплект вашего инструмента.

Вакуумные шланги большинства стандартных пылесосов совместимы с переходником.

**ВНИМАНИЕ: ВСЕГДА** используйте пылесос, конструкция которого соответствует действующим директивам по выбросу пыли при распиловке дерева. Всасывающие шланги большинства стандартных пылесосов совместимы с переходником.

1. Подсоедините шланг для пылеудаления **38** к переходнику патрубка пылеотвода **34** с помощью системы DEWALT AirLock.

**ПРИМЕЧАНИЕ:** Используя устройство для пылеудаления, убедитесь, что оно находится не в проходе и надежно закреплено, не может опрокинуться, не мешает работе фрезы или положению заготовки. Шланг для пылеудаления и шнур питания также должны быть расположены так, чтобы они не мешали работе фрезы или положению заготовки. Если пылесборник или шланг пылесборника невозможно расположить правильно, его следует снять.

## ЭКСПЛУАТАЦИЯ

### Инструкции по использованию

**ВНИМАНИЕ:** Всегда следуйте указаниям действующих норм и правил безопасности.

**ВНИМАНИЕ:** Чтобы снизить риск получения серьезных травм, выключайте инструмент и отключайте его от сети перед тем, как выполнять какие-либо настройки или снимать/устанавливать насадки или

принадлежности. Случайный запуск может привести к травме.

## Правильное положение рук (Рис. O)

**ВНИМАНИЕ:** Для уменьшения риска получения тяжелой травмы, **ВСЕГДА** правильно удерживайте инструмент, как показано на рисунке.

**ВНИМАНИЕ:** Для уменьшения риска получения тяжелой травмы, **ВСЕГДА** надежно удерживайте инструмент, предупреждая внезапные сбои в работе.

При правильном положении рук обе руки находятся на основных рукоятках **2**.

## Использование фрезера (Рис. A, L)

**ПРЕДУПРЕЖДЕНИЕ:** Включите фрезер перед тем, как помещать фрезерную головку на заготовку.

### ПРЕДУПРЕЖДЕНИЕ:

- Поскольку чрезмерное резание может вызвать перегрузку двигателя или затруднение в управлении инструментом, при нарезании канавок насадкой с диаметром 8 мм глубина резания не должна превышать 15 мм за проход.
- При прорезании канавок насадкой диаметром 20 мм глубина реза за один проход не должна превышать 5 мм.
- Для получения очень глубоких канавок делайте два или три прохода, постепенно увеличивая глубину погружения насадки.

### ПРЕДУПРЕЖДЕНИЕ:

- После длительной работы на низких скоростях дайте машине остыть. Для этого запустите дайте ей в течение трех минут поработать на максимальной скорости без нагрузки.

С помощью врезного фрезера можно выполнять все распространенные задачи по фрезерованию всех видов древесины и пластика:

- Вырезание канавок
- Прорезание пазов
- Выточка
- Образование прожилок
- Профилирование

Чтобы избежать перегрузки инструмента при неправильном выборе скорости, следуйте приведенным ниже рекомендациям:

МАТЕРИАЛ	ДИАМЕТР ФРЕЗЫ	
	10–30 мм	30–50 мм
	СКОРОСТЬ	
Твердая древесина	7–5	6–2
Мягкая древесина	7–6	7–5
Облицованная ДСП	7–6	7–4
Пластик	7–5	7–4

**ПРИМЕЧАНИЕ:** Для панелей, облицованных пластиковым ламинатом, следует использовать только фрезы с




твердосплавными наконечниками. Твердый ламинат быстро затупит стальную фрезу.

**ПРИМЕЧАНИЕ:** Для лучшего скольжения погружного механизма часто очищайте цанги от пыли и мусора. Если погружной механизм движется не так плавно, как хотелось бы, смажьте цанги сухой тефлоновой смазкой.


1. После установки глубины резания, как описано выше, расположите фрезу так, чтобы насадка находилась непосредственно над тем местом, которое необходимо резать.
2. При работающем фрезере плавно опустите устройство в заготовку. **НЕ ЗАКЛИНИВАЙТЕ ФРЕЗЕР.**
3. Когда инструмент достигнет заданной глубины, нажмите на отпирающую кнопку **7** для блокировки.
4. По окончании фрезерования нажмите на рычаг блокировки погружения **6**, чтобы разблокировать его, и позвольте пружине извлечь фрезу из заготовки.
5. Всегда следите, чтобы направление подачи было противоположным направлению вращения фрезы. См. Рис. L.

## Курковый пусковой выключатель (Рис. А)

 **ВНИМАНИЕ:** Чтобы снизить риск получения тяжелой травмы, выключайте инструмент и отсоединяйте от источника питания перед выполнением любых действий по регулировке или перед снятием/установкой дополнительных принадлежностей или насадок. Случайный запуск может привести к травме.

1. Чтобы включить инструмент, нажмите на курковый пусковой выключатель **3**. Для непрерывной работы продолжайте нажимать на курковый пусковой выключатель или нажмите на кнопку блокировки пускового выключателя **20**.
2. Выключение инструмента:
  - a. Если курковый пусковой выключатель заблокирован, освободите кнопку блокировки, нажав и отпустив курковый пусковой выключатель.
  - b. Если кнопка блокировки не задействована, полностью опустите курковый пусковой выключатель.

## Дисковый регулятор скорости (Рис. А)

 **ВНИМАНИЕ:** Если регулятор скорости перестал работать или работает нестабильно, немедленно прекратите использование инструмента. Передайте его для ремонта на завод DEWALT или в авторизованный сервисный центр.

**ПРИМЕЧАНИЕ:** Фрезер оснащен электроникой для контроля и поддержания скорости во время резки. При работе на низких и средних скоростях управление скоростью предотвращает снижение оборотов двигателя. Если вы ожидаете услышать изменения скорости и продолжаете нагружать двигатель, вы можете его перегреть и повредить. Уменьшите глубину распила и/или скорость

подачи фрезы, чтобы предотвратить повреждение инструмента.

См. **Таблицу выбора скорости**, чтобы выбрать скорость. Поворачивайте дисковый регулятор скорости **11**, чтобы управлять скоростью фрезера. Регулятор (1) позволяет менять скорость в пределах от 9000 до 22000 об/мин.


1. Поверните регулятор в необходимое положение. Регулятор имеет положения от 1 до 7, которые соответствуют скоростям вращения фрезы от 9000 до 22000 об/мин.
2. Следует использовать низкую скорость для фрез с большим диаметром и высокую скорость для фрез с малым диаметром.
3. Правильная настройка также зависит от плотности материала, глубины реза и скорости подачи фрезера.

**ПРИМЕЧАНИЕ:** Заметное снижение оборотов двигателя означает перегрузку двигателя.

### ТАБЛИЦА ВЫБОРА СКОРОСТИ

РЕГУЛЯТОР СКОРОСТИ	ПРИБЛИЗИТЕЛЬНО об/мин.
1	9000
2	11000
3	13000
4	15000
5	18000
6	20000
7	22000


Скорости в данной таблице приблизительные и приведены только для справки. Фрезер может не точно воспроизводить скорость, установленную на регуляторе.

 **ВНИМАНИЕ:** При выборе скорости всегда следуйте рекомендациям производителя насадок, поскольку особенности конструкции некоторых насадок в целях обеспечения безопасности или производительности требуют определенных скоростей.

Если вы не уверены в правильности выбора скорости или столкнулись с какими-либо проблемами, обратитесь к производителю насадки.



## Светодиодная подсветка (Рис. F)

 **ПРЕДУПРЕЖДЕНИЕ:** Не направляйте свет в глаза. Это может привести к серьезным повреждениям глаз.

Два светодиода подсветки **57** расположены рядом с цанговым узлом **9**.

1. Подсветка **57** будет гореть постоянно, пока фрезер подключен к сети электропитания.

- Чтобы выключить подсветку, фрезер необходимо отключить от сети питания.


**ПРИМЕЧАНИЕ:** Подсветка предназначена для освещения рабочей поверхности и не может использоваться в качестве фонаря.

## Установка рычага блокировки погружения (Рис. В)

Погружение блокируется автоматически и полностью для любого резания. В случае резки с высокой нагрузкой убедитесь, что рычаг сдвинут в сторону корпуса инструмента. Положение рычага блокировки погружения **6** установлено на заводе таким образом, что рычаг не касается корпуса двигателя. Если рычаг блокировки погружения начинает задевать корпус при нажатии на отпирающий рычаг, следующим образом отрегулируйте положение рычага фиксации врезания:

- Нажмите на отпирающую кнопку **7**. Рычаг блокировки погружения разблокируется автоматически.
- Используя звездобразный ключ Torx **20 39**, ослабьте винт с буртиком **54** на рычаге блокировки погружения **6**, сделав шесть оборотов против часовой стрелки. **Не извлекайте полностью.**
- Поднимите рычаг блокировки погружения, поверните и установите рычаг блокировки погружения в положение 2 (на одиннадцать часов).
- Затяните винт с буртиком.
- Если в положении 2 скольжение происходит неправильно, повторите шаги 1–3 и снова установите рычаг блокировки в положение 1. Затяните винт с буртиком.

## Формование древесины

 **ВНИМАНИЕ:** Выполняя фрезерование, обязательно блокируйте зажимной рычаг блокировки погружения.

При формировании кромок деревянного материала всегда обрабатывайте сначала поперечные распилы, а затем продольные. Таким образом, гарантируется, что в случае взрыва волокон, его можно будет удалить при обработке продольного распила.

## Установка глубины фрезерования (Рис. D, E)

- Установите фрезер с установленной фрезой на заготовку.
- При необходимости установите многопозиционный упор ограничителя головки **11**.
- Ослабьте ручку быстрого регулятора **15**, которая фиксирует ограничитель глубины фрезерования **12**.
- Нажмите на рычаг блокировки погружения **6**, чтобы начать погружение.
- Медленно опускайте фрезер, пока фреза не коснется заготовки, и зафиксируйте ее, нажав на отпирающую кнопку **7**.
- Поворачивайте быстрый регулятор высоты **16** до тех пор, пока ограничитель глубины **12** не коснется


многопозиционного упора ограничителя головки **13**. Зафиксируйте положение быстрого регулятора высоты **15**.

- Если требуется повторная регулировка глубины реза, рекомендуется использовать быстрый регулятор глубины **16** для грубой настройки или точный регулятор высоты для точной настройки.
- Отрегулируйте глубину пиления с помощью точного регулятора **18**.  
**ПРИМЕЧАНИЕ:** Один поворот точного регулятора высоты **18** соответствует 1 мм, один поворот быстрого регулятора высоты **15** соответствует 40 мм
- Считайте глубину реза с помощью кольца быстрого возврата нуля **14** и кольца точного возврата нуля **19**.
- Отрегулированная глубина резания будет равняться расстоянию между верхней частью вращающегося ограничителя глубины и нижней частью ограничителя глубины.
- С помощью вращающихся стопорных винтов упора ограничителя головки **11** можно установить три глубины реза. Высоту можно регулировать плоской отверткой или ключом на 8 мм.  
**ПРИМЕЧАНИЕ:** Вращая упор ограничителя головки, можно быстро выбрать одну из настроек глубины реза.

## Точный регулятор высоты (Рис. D)

Этот фрезер имеет встроенный точный регулятор высоты. Его следует использовать для точной регулировки высоты фрезы. Это особенно рекомендуется при использовании приспособлений типа «ласточкин хвост» или фрезерных столов.

## Направление подачи (Рис. L)

 **ВНИМАНИЕ:** Избегайте встречного фрезерования (в направлении, противоположном показанному на Рис. L). Встречное фрезерование повышает вероятность потери контроля над инструментом, что может привести к травме. Если требуется встречное фрезерование (при смене направления в угле), чтобы сохранить контроль над фрезером, соблюдайте предельную осторожность. С каждым проходом делайте небольшие разрезы и снимайте минимальное количество материала.

Направление подачи очень важно при фрезеровке и может играть решающую роль как в успешном выполнении, так и провале проекта. На Рис. L показано правильное направление подачи для большинства видов резания.

- При фрезеровании вдоль кромки движение фрезы должно быть направлено против вращения фрезы. Это создаст правильное режущее воздействие и предотвратит заклинивание фрезы. Также это будет притягивать фрезу к заготовке, и боковая направляющая или направляющий подшипник будут меньше отклоняться от края заготовки.

## Скорость подачи

Скорость подачи фрезы в древесину не должна быть слишком большой, чтобы двигатель не замедлялся, или слишком медленной, чтобы фреза не оставляла следов на лицевой стороне древесины.

**ПРИМЕЧАНИЕ:** Потренируйтесь определять скорость по звуку двигателя при фрезеровании.

## Последовательность погружения

**!** **ВНИМАНИЕ:** Выполняя фрезерование, обязательно блокируйте зажимной рычаг блокировки погружения.

1. Опустите и зафиксируйте каретку двигателя, нажав на отпирющую кнопку **7**.
2. Выполните необходимую работу по фрезерованию.
3. Нажмите на рычаг блокировки погружения **6** и каретка двигателя вернется в нормальное положение.

## Использование боковой направляющей (Рис. М)

**!** **ПРЕДУПРЕЖДЕНИЕ:** Убедитесь, что рабочее место для вас удобно и находится на подходящей высоте.

1. Убедитесь, что барашковые болты **28** полностью ослаблены. Вставьте направляющие стержни **26** в основание для фрезеровки **10** и затяните барашковые болты.
2. Установите необходимое положение точного регулятора **29** направляющей и зажмите барашковыми болтами **28**.
3. Опустите фрезу, пока она не будет расположена непосредственно над заготовкой.
4. Точная регулировка возможна путем ослабления барашкового болта **28** и настройки положения точного регулятора **29** положения боковой направляющей.
5. Затяните барашковый болт **28**, чтобы зафиксировать положение.

**ПРИМЕЧАНИЕ:** Один оборот точного регулятора **29** боковой направляющей соответствует 1,0 мм боковой подачи.

6. Опустите фрезу на заготовку и установите необходимую высоту фрезы. См. раздел «Установка глубины фрезерования».
7. Включите фрезер и после того, как фреза наберет полную скорость, плавно опустите фрезу в заготовку и зафиксируйте глубину погружения.
8. Подавайте фрезу вдоль заготовки, сохраняя давление сбоку, чтобы боковая направляющая не отклонялась от края заготовки, и давление в направлении вниз, чтобы предотвратить опрокидывание фрезы.
9. По окончании работы поднимите фрезу, зафиксируйте ее с помощью рычага блокировки погружения **6** и выключите фрезу.

**ПРИМЕЧАНИЕ:** Начиная резание, сохраняйте давление на переднюю грань, пока задняя грань не коснется заготовки.

**ПРИМЕЧАНИЕ:** В конце резания продолжайте давить на

заднюю грань, пока полностью не завершите резание. Это позволит избежать колебаний фрезы на конце заготовки и затирания угла.

## Установка боковой направляющей (Рис. I, J)

Боковая направляющая используется для направления фрезы при формировании, профилировании кромки или фальцевания края заготовки, а также при прорезании канавок и пазов в центре заготовки, параллельно ее краю. Кромка заготовки должна быть ровной и прямой. Планки **31** регулируются и в идеале должны быть установлены с зазором 3 мм с каждой стороны фрезы.

## Направление вдоль рейки

В случае, если направляющую планку использовать не удастся, также возможно направлять фрезер вдоль рейки, зафиксированной вдоль заготовки (при этом она должна выступать с обеих сторон.)

## Направление «от руки»

**!** **ВНИМАНИЕ:** Не выполняйте глубокие распилы! Используйте фрезы с максимальным диаметром 6 мм.

Фрезер можно направлять и без использования направляющих, например, для создания надписей или творческих проектов.

## Режим стола (Рис. Q)

### (ТОЛЬКО DWE627)

**!** **ВНИМАНИЕ:** Перед DWE627 установкой фрезера в фрезерный стол, убедитесь, что он соответствует всем требованиям безопасности, установленным законодательством для фрезерных столов.

Прочтите все правила техники безопасности, инструкции и технические характеристики по данному фрезерному столу. Несоблюдение всех инструкций и правил техники безопасности может стать причиной поражения электрическим током, возгорания и/или тяжелой травмы.

**!** **ВНИМАНИЕ:** Чтобы снизить риск получения тяжелой травмы, выключайте инструмент и отсоединяйте от источника питания перед выполнением любых действий по регулировке или перед снятием/установкой дополнительных принадлежностей или насадок. Случайный запуск может привести к травме.

**!** **ВНИМАНИЕ:** Не используйте DWE627 в качестве портативного фрезера, если подключен блок выключателей питания.

**!** **ПРЕДУПРЕЖДЕНИЕ:** Если внутри розетки питания есть пыль, очистите ее перед использованием блока выключателя питания.

1. Чтобы подключить блок выключателей питания **42** к фрезеру, отсоедините инструмент от источника питания.
2. Прикрепите блок выключателей питания **42** к верстаку в легко доступном для рук месте, исключающем непреднамеренное включение.

**ПРИМЕЧАНИЕ:** Внешний выключатель можно закрепить на фрезерном столе с помощью четырех монтажных отверстий.

3. Кабель должен быть установлен и закреплен таким образом, чтобы исключить его сдавливание или соприкосновение с острыми краями.
4. Нажмите ручкой или маленькой отверткой на кнопку блокировки **43**, расположенную на левой боковой рукоятке **44**, чтобы разблокировать крышку рукоятки **45**.

**ПРИМЕЧАНИЕ:** Если внутри розетки питания есть пыль, очистите ее перед использованием блока выключателя питания.

5. Продолжайте нажимать на кнопку блокировки **43** и поверните крышку рукоятки **45**, чтобы получить доступ к розетке выключателя питания **46**.
6. Перед подключением к розетке электропитания убедитесь, что лепестковый переключатель блока выключателей питания находится в выключенном положении.
7. Вставьте штекер блока выключателей питания **47** в розетку электропитания **46**.
8. Закрутите кольцевую гайку **48** штекера блока выключателей питания **47**, когда тот будет вставлен в розетку **46**, чтобы надежно зафиксировать его на месте.
9. Закрепите погружной фрезер под верстаком, как это требуется согласно вашему способу применения или инструкции к фрезерному столу.
10. Подключите инструмент к его источнику питания. Теперь фрезер можно включать и выключать, нажимая на лепестки **49** на блоке выключателя питания **42**.
11. Вытяните лепесток **49**, чтобы запустить инструмент, и надавите на лепесток, чтобы выключить его.

## Регулировка глубины, когда фрезер установлен в обратном положении (Рис. G)

**ВНИМАНИЕ:** Для установки фрезера в обратном положении, см. соответствующее руководство к стационарному инструменту.

1. Снимите колпачковую гайку **51** и накатную гайку **4** и замените регулятором высоты (DE6966), который продается отдельно.
2. Наверните резьбовой конец регулятора высоты на стержень ограничителя высоты **5**.
3. Установите глубину пиления с помощью регулятора высоты.

## Фрезерование с помощью пилотных фрез (Рис. R)

Для придания формы кромкам там, где использование параллельной направляющей или направляющей втулки невозможно, используйте пилотные фрезы **50**.

Они включают в себя цанги (6–12,7 мм), регулятор высоты и фрезерный стол для работы в обратном положении, инструменты для создания соединений типа «ласточкин хвост» и зубчатых соединений, шаблоны для соединений типа «ласточкин хвост», регулируемый держатель направляющих втулок и втулки и направляющие различной длины.

## ТЕХНИЧЕСКОЕ ОБСЛУЖИВАНИЕ

Электроинструмент имеет длительный срок эксплуатации и требует минимальных затрат на техобслуживание. Для длительной безотказной работы необходимо обеспечить правильный уход за инструментом и его регулярную очистку.



**ВНИМАНИЕ:** Чтобы снизить риск получения серьезных травм, выключайте инструмент и отключайте его от сети перед тем, как выполнять какие-либо настройки или снимать/устанавливать насадки или принадлежности. Убедитесь, что курковый переключатель находится в положении ВЫКЛ. Непреднамеренный запуск инструмента может привести к получению травмы.

## Ремонт



**ВНИМАНИЕ:** Для обеспечения БЕЗОПАСНОСТИ и НАДЕЖНОСТИ продукта ремонт, техническое обслуживание и регулировка (включая ремонт кабеля питания, а также осмотр и замену щеток, если применимо) должны выполняться заводским сервисным центром DEWALT или авторизованным сервисным центром DEWALT. Обязательно используйте идентичные запасные части.



## Смазка

Ваш электроинструмент не требует дополнительной смазки.



## Чистка



**ВНИМАНИЕ:** Выдувайте грязь и пыль из корпуса сухим сжатым воздухом по мере видимого скопления грязи внутри и вокруг вентиляционных отверстий. Выполняйте очистку, надев средство защиты глаз и респиратор утвержденного типа.



**ВНИМАНИЕ:** Никогда не используйте растворители или другие агрессивные химические средства для очистки неметаллических деталей инструмента. Эти химикаты могут ухудшить свойства

материалов, примененных в данных деталях. Используйте ткань, смоченную в воде с мягким мылом. Не допускайте попадания какой-либо жидкости внутрь инструмента; ни в коем случае не погружайте какую-либо часть инструмента в жидкость.

## Дополнительные принадлежности



**ВНИМАНИЕ:** Поскольку принадлежности, отличные от тех, которые предлагает DEWALT, не проходили тесты на данном изделии, то использование этих принадлежностей может привести к опасной ситуации. Во избежание риска получения травмы, с данным продуктом должны использоваться только рекомендованные DEWALT дополнительные принадлежности.

По вопросу приобретения дополнительных принадлежностей обращайтесь к Вашему дилеру.

## Точки крепления к принадлежностям на основании (Рис. N)

Этот фрезер имеет три резьбовых отверстия **53** в основании, что позволяет прикреплять его к другим принадлежностям.

## Защита окружающей среды



Отдельная утилизация. Изделия с данным символом на маркировке запрещается утилизировать с обычными бытовыми отходами.

Изделия содержат материалы, которые могут быть извлечены или переработаны, снижая потребность в исходном сырье. Пожалуйста, утилизируйте электрические изделия в соответствии с местными нормами. Дополнительная информация доступна по адресу [www.2helpU.com](http://www.2helpU.com).

## Дополнительная информация:

Дату изготовления (код даты) указан на корпусе инструмента. Код даты, который так же включает год изготовления, отштампован на поверхности корпуса изделия. Пример: 2021 46 XX, где 2021 – год изготовления, 46-неделя изготовления, XX – код завода изготовителя. ТОВАР СЕРТИФИЦИРОВАН. Орган по сертификации "РОСТЕСТ- Москва", Адрес: 119049, г. Москва, улица Житная, д. 14, стр. 1; 117418, Москва, Нахимовский просп., 31 (факт.). Тел.: (499) 1292311, (495) 6682893, E-mail: office@rostest.ru  
Изготовитель: Изготовитель: Блэк энд Деккер Холдингс ГмбХ, Германия, 65510, Идштайн, ул. Блэк энд Деккер, 40, тел. +496126212790.

Уполномоченное изготовителем юрлицо: ООО "Стэнли Блэк энд Деккер", 117485, город Москва, улица Обручева, дом 30/1, строение 2, Телефон: + 7 (495) 258-3981, факс: + 7 (495) 258-3984, E-mail: [inbox@dewalt.com](mailto:inbox@dewalt.com). Сведения о импортере указаны в сопроводительной документации и/или на упаковке.



## Приложение к руководству по эксплуатации электрооборудования для определения месяца производства по номеру текущей календарной недели года

Электрооборудование торговых марок "Dewalt", "Stanley", "Stanley FatMAX", "BLACK+DECKER".

Директивы 2014/30/EU ЕВРОПЕЙСКОГО ПАРЛАМЕНТА И СОВЕТА от 26 февраля 2014 г. "О гармонизации законодательств Государств-членов ЕС в области электромагнитной совместимости", 2006/42/ЕС ЕВРОПЕЙСКОГО ПАРЛАМЕНТА И СОВЕТА от 17 мая 2006 г. "О машинах и оборудовании"; 2014/35/EU ЕВРОПЕЙСКОГО ПАРЛАМЕНТА И СОВЕТА от 26 февраля 2014 г. "О гармонизации законодательств государств-членов в области размещения на рынке электрооборудования, предназначенного для использования в определенных пределах напряжения".  
Серийный выпуск.

**ТОВАР СЕРТИФИЦИРОВАН**

Орган по сертификации "РОСТЕСТ- Москва", Адрес: 119049, г. Москва, улица Житная, д. 14, стр. 1; 117418, Москва, Нахимовский просп., 31 (фактический), Телефон: (499) 1292311, (495) 6682893, Факс: (495) 6682893, E-mail: office@rostest.ru

Изготовитель: Изготовитель: Блэк энд Деккер Холдингс ГмбХ, Германия, 65510, Идштайн, ул. Блэк энд Деккер, 40, тел. +496126212790.

Уполномоченное изготовителем юрлицо:

ООО "Стэнли Блэк энд Деккер", 117485, город Москва, улица Обручева, дом 30/1, строение 2  
Телефон: + 7 (495) 258-3981, факс: + 7 (495) 258-3984, E-mail: inbosh@dewalt.com

Сведения о импортере указаны в сопроводительной документации и/или на упаковке

**Хранение.**

Необходимо хранить в сухом месте, вдали от источников повышенных температур и воздействия солнечных лучей. При хранении необходимо избегать резкого перепада температур. Хранение без упаковки не допускается

**Срок службы.**

Срок службы изделия составляет 5 лет. Не рекомендуется к эксплуатации по истечении 5 лет хранения с даты изготовления без предварительной проверки.

Дата изготовления (код даты) указана на корпусе инструмента.

Код даты, который также включает год изготовления, отштампован на поверхности корпуса изделия.

Пример:

2014 46 XX, где 2014 –год изготовления, 46-неделя изготовления.

Определить месяц изготовления по указанной неделе изготовления можно согласно приведенной ниже таблице.

**Транспортировка.**

Категорически не допускается падение и любые механические воздействия на упаковку при транспортировке.

При разгрузке/погрузке не допускается использование любого вида техники, работающей по принципу зажима упаковки.

**Перечень критических отказов, возможные ошибочные действия персонала.**

Не допускается эксплуатация изделия:

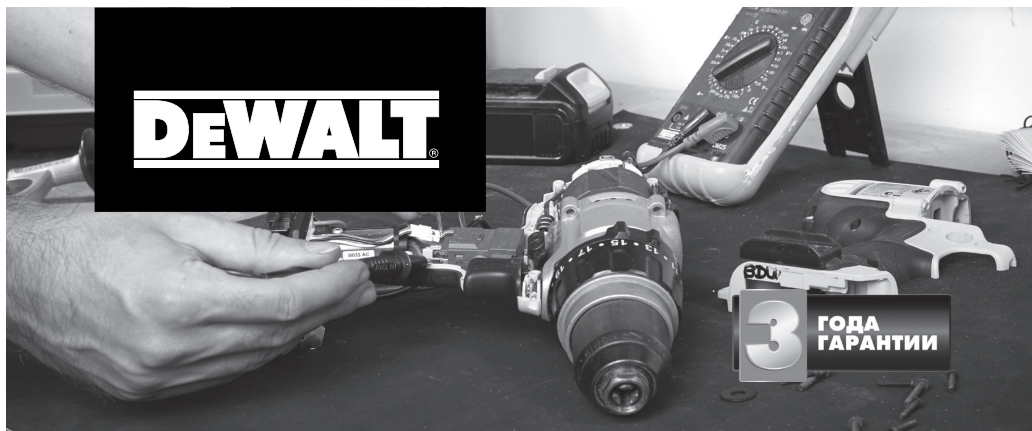
- При появлении дыма из корпуса изделия
- При поврежденном и/или оголенном сетевом кабеле
- при повреждении корпуса изделия, защитного кожуха, рукоятки
- при попадании жидкости в корпус
- при возникновении сильной вибрации
- при возникновении сильного искрения внутри корпуса

**Критерии предельных состояний.**

- При поврежденном и/или оголенном сетевом кабеле
- при повреждении корпуса изделия

Месяц	Январь	Февраль	Март	Апрель	Май	Июнь	Июль	Август	Сентябрь	Октябрь	Ноябрь	Декабрь	Год производства
Неделя	1	5	9	14	18	23	27	31	36	40	44	49	2018
	2	6	10	15	19	24	28	32	37	41	45	50	
	3	7	11	16	20	25	29	33	38	42	46	51	
	4	8	12	17	21	26	30	34	39	43	47	52	
Неделя			13		22			35			48		2019
	1	6	10	14	18	23	27	31	36	40	45	49	
	2	7	11	15	19	24	28	32	37	41	46	50	
	3	8	12	16	20	25	29	33	38	42	47	51	
	4	9	13	17	21	26	30	34	39	43	48	52	
Неделя					22			35		44			2020
	1	6	10	14	19	23	27	32	36	40	45	49	
	2	7	11	15	20	24	28	33	37	41	46	50	
	3	8	12	16	21	25	29	34	38	42	47	51	
	4	9	13	17	22	26	30	35	39	43	48	52	
Неделя				18			31		40				2021
	2	6	10	14	19	23	27	32	36	41	45	49	
	3	7	11	15	20	24	28	33	37	42	46	50	
	4	8	12	16	21	25	29	34	38	43	47	51	
	5	9	13	17	22	26	30	35	39	44	48	52	
Неделя				18			31		40			1	2022
	2	6	10	15	19	23	28	32	36	41	45	49	
	3	7	11	16	20	24	29	33	37	42	46	50	
	4	8	12	17	21	25	30	34	38	43	47	51	
	5	9	13	18	22	26	31	35	39	44	48	52	
Неделя			14			27			40			1	2022





## ГАРАНТИЙНЫЕ УСЛОВИЯ

### Уважаемый покупатель!

1. Поздравляем Вас с покупкой высококачественного изделия DEWALT и выражаем признательность за Ваш выбор.
2. При покупке изделия требуйте проверки его комплектности и исправности в Вашем присутствии. В комплекте с инструментом должна быть инструкция по эксплуатации и гарантийные условия производителя на русском языке. Сохраняйте на весь срок гарантии Ваш документ, удостоверяющий факт покупки изделия. Убедитесь, что в чеке указаны: фискальный номер чека, модель/наименование изделия, дата продажи и название торговой организации.
3. Во избежание недоразумений убедительно просим Вас перед началом работы с изделием внимательно ознакомиться с инструкцией по его эксплуатации. Правовой основой настоящих гарантийных условий является действующее Законодательство. Гарантийный срок на данное изделие составляет 36 месяцев и исчисляется со дня продажи. В случае устранения недостатков изделия гарантийный срок продлевается на период его нахождения в ремонте. Срок службы изделия составляет 5 лет со дня продажи.
4. В случае возникновения каких-либо проблем в процессе эксплуатации изделия рекомендуем Вам обращаться только в уполномоченные сервисные центры DEWALT, адреса и телефоны которых Вы сможете найти на сайте [www.2helpU.com](http://www.2helpU.com) или узнать в магазине. Наши сервисные станции это не только квалифицированный ремонт, но и широкий ассортимент запчастей и принадлежностей.
5. Производитель рекомендует проводить периодическую проверку и техническое обслуживание изделия в уполномоченных сервисных центрах.
6. Наши гарантийные обязательства распространяются только на неисправности, выявленные в течение гарантийного срока и вызванные дефектами материалов или сборки изделия.

### 7. Гарантийные условия не распространяются на неисправности изделия, возникшие в результате:

**7.1.** Несоблюдения пользователем предписаний инструкции по эксплуатации изделия, применения изделия не по назначению, неправильного хранения, использования принадлежностей, расходных материалов и запчастей, не предусмотренных производителем.

**7.2.** Механического повреждения (сколы, трещины и разрушения) внутренних и внешних деталей изделия, основных и вспомогательных рукояток, сетевого электрического кабеля, вызванного внешним ударным или любым иным воздействием.

**7.3.** Попадания в вентиляционные отверстия и проникновение внутрь изделия посторонних предметов, материалов или веществ, не являющихся отходами, сопровождающими применение изделия по назначению, такими как: стружка, опилки, песок, и пр.

**7.4.** Воздействия на изделие неблагоприятных атмосферных и иных внешних факторов, таких как дождь, снег, повышенная влажность, нагрев, агрессивные среды, несоответствие параметров питающей электросети, указанных на инструменте.

**7.5.** Стихийного бедствия. Повреждение или утрата изделия, связанное с непредвиденными бедствиями, стихийными явлениями, в том числе вследствие действия непреодолимой силы (пожар, молния, потоп и другие природные явления), а также вследствие перепадов напряжения в электросети и другими причинами, которые находятся вне контроля производителя.

### 8. Гарантийные условия не распространяются:

**8.1.** На инструменты, подвергавшиеся вскрытию, ремонту или модификации вне уполномоченного сервисного центра.

**8.2.** На детали и узлы, имеющие следы естественного износа, такие как: приводные ремни и колеса, угловые щетки, смазка, подшипники, зубчатое сцепление редукторов, резиновые уплотнения, сальники, направляющие ролики, муфты сцепления, бойки, толкатели, стволы, и т.п.

**8.3.** На сменные и расходные части: цанги, зажимные гайки и фланцы, фильтры, ножи, шлифовальные подошвы, цепи, звездочки, пильные шины, защитные кожухи, пилки, абразивы, пильные и абразивные диски, фрезы, сверла, буры и т.п.

**8.4.** На неисправности, возникшие в результате перегрузки инструмента (как механической, так и электрической), повлекшей выход из строя одновременно двух и более деталей и узлов, таких как ротора и статора, обеих обмоток статора, ведомой и ведущей шестерни редуктора или других узлов и деталей. К безусловным признакам перегрузки изделия относятся, помимо прочего: появление цветов побежалости, деформация или оплавление деталей и узлов изделия, потемнение или облупливание изоляции проводов электродвигателя под воздействием высокой температуры.



**ОБЯЗАТЕЛЬНО СОХРАНЯЙТЕ  
КАССОВЫЙ ЧЕК**

Актуальную информацию об обслуживании  
в интересующем вас городе вы можете узнать на сайте  
**[service.dewalt.ru](http://service.dewalt.ru)**

27-03-2021



Список авторизованных сервисных центров | Удобный поиск ближайшего сервисного центра | Руководство по эксплуатации  
 Технические характеристики | Список деталей и запасных частей | Схема сборки инструмента



Также данную информацию вы можете получить, позвонив по телефону:

**8-800-1000-876**

*Отметки о проведении сервисного обслуживания*

№1	№2	№3	№4
№ заказа	№ заказа	№ заказа	№ заказа
Дата поступления	Дата поступления	Дата поступления	Дата поступления
Дата ремонта	Дата ремонта	Дата ремонта	Дата ремонта
Печать и подпись сервисного центра	Печать и подпись сервисного центра	Печать и подпись сервисного центра	Печать и подпись сервисного центра



# ГАРАНТИЙНОЕ ОБСЛУЖИВАНИЕ

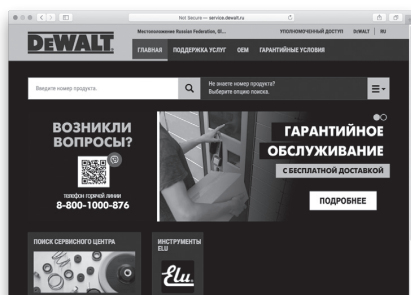
## С БЕСПЛАТНОЙ ДОСТАВКОЙ

ТЕПЕРЬ ВЫ МОЖЕТЕ СДАТЬ ИНСТРУМЕНТ В СЕРВИС, ДАЖЕ ЕСЛИ ЕГО НЕТ В ВАШЕМ ГОРОДЕ

## КАК ВОСПОЛЬЗОВАТЬСЯ УСЛУГОЙ

Скачать/распечатать  
инструкцию  
с сайта

[service.dewalt.ru](http://service.dewalt.ru)



телефон горячей линии

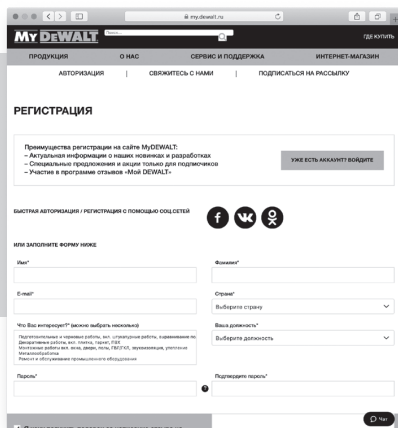
**8-800-1000-876**



# ПОДАРОК ЗА ОТЗЫВ\*

- 1 Зарегистрируйся на [my.dewalt.ru](http://my.dewalt.ru)
- 2 Напиши отзыв о покупке
- 3 Получи фирменную кепку

\*Акция проводится на территории Российской Федерации, подробные условия акции указаны на [my.dewalt.ru](http://my.dewalt.ru)



телефон горячей линии

8-800-1000-876

# ЗАГЛИБНИЙ ФРЕЗЕР

## DWE625, DWE627

### Вітаємо вас!

Ви обрали інструмент виробництва компанії DEWALT. Ретельна розробка продукції, багаторічний досвід фірми у виробництві інструментів, різні вдосконалення, все це зробило інструменти DEWALT є одними із найнадійніших помічників для тих, хто використовує електричні інструменти у своїй професії.

### Технічні дані

		DWE625	DWE625	DWE627
Напруга	V змін. струму	115	230	230
Тип		1	1	1
Вхідна потужність	Вт	2100	2300	2300
Швидкість без навантаження	об/хв.	9000-22000	9000-22000	9000-22000
Каретка фрезера	мм	2 стійка	2 стійка	2 стійка
Хід каретки фрезера	мм	80	80	80
Макс. діаметр різання	мм	50	50	50
Розмір цангового патрона для Європи	мм	12	12	12
Розмір цангового патрона для Великобританії та Ірландії	дюйми	1/2	1/2	1/2
Маса	кг	6,1	6,1	6,2

Значення рівня шуму та/або вібрації (векторна сума трьох векторів) відповідно до стандарту EN62841-2-17:

$L_{pA}$ (рівень тиску звукового випромінювання)	дБ(A)	94,2	95,1	95,1
$L_{WA}$ (рівень звукової потужності)	дБ(A)	105,2	106,1	106,1
K (похибка для даного рівня звукового тиску)	дБ(A)	2,5	2,5	2,5
Значення емісії вібрації $a_{h, hv}$	$m/c^2$	4,1	3,1	3,1
Похибка K =	$m/c^2$	0,31	0,31	0,31

Значення вібрації та/або шуму, наведене в цьому документі, було виміряне згідно зі стандартизованим тестом, викладеним в EN62841 та може використовуватись для порівняння інструментів. Це значення вібрації можна також використовувати для попередньої оцінки впливу вібрації.

**⚠ ПОПЕРЕДЖЕННЯ:** Заявлене значення вібрації та/або шуму відповідає вимогам цільового використання інструмента. Однак якщо інструмент використовується для виконання інших завдань, або з іншими витратними матеріалами/насадками, або не обслуговується належним чином, значення вібрації та/або шуму може відхилитися. Це може значно збільшити рівень впливу протягом усього періоду роботи.

Оцінка рівня впливу вібрації та/або шуму має враховувати час, протягом якого інструмент є вимкненим, а також час, протягом якого він є ввімкненим, але не використовується. Це може значно зменшити рівень впливу протягом усього періоду роботи.

Визначення додаткових заходів безпеки для захисту оператора від впливу вібрації та/або шуму: технічне обслуговування інструмента та приладдя, утримання рук у теплі (має значення для вібрації), організація режиму роботи.

### Декларація про відповідність ЄС

#### Директива для механічного обладнання



#### DWE625, DWE627 Заглибний фрезер

Компанія DEWALT заявляє, що ці вироби, описані у розділі «Технічні дані», відповідають:

2006/42/EC, EN62841-1:2015 + AC:2015; EN62841-2-17:2017. Ці вироби також відповідають вимогам Директив 2014/30/EU та 2011/65/EU. Для отримання додаткової інформації зверніться до компанії DEWALT за наступною адресою або прочитайте інформацію на зворотній стороні цього керівництва.

Нижчепідписаний несе відповідальність за упорядкування файлу технічних характеристик та робить цю заяву від компанії DEWALT.

Маркус Ромпель (Markus Rompel)  
технічний директор, PTE-Europe  
DEWALT, Richard-Klinger-Straße 11,  
65510, Idstein, Німеччина  
08.09.2021



**ПОПЕРЕДЖЕННЯ:** Уважно прочитайте керівництво з експлуатації для зниження ризику отримання травм.

### Позначення: інструкції з техніки безпеки

Умовні позначення, наведені нижче, описують рівень важливості кожної попереджувальної вказівки. Прочитайте керівництво з експлуатації та зверніть увагу на символи, наведені нижче.



**НЕБЕЗПЕЧНО:** *Указує на безпосередню загрозу, яка, якщо її не уникнути, призведе до смерті або серйозної травми.*



**ПОПЕРЕДЖЕННЯ:** *Вказує на потенційну загрозу, ігнорування якої може призвести до смерті або серйозної травми.*



**УВАГА:** *Вказує на потенційну загрозу, ігнорування якої може призвести до травми легкої або середньої тяжкості.*

**ПРИМІТКА:** *Вказує на ситуацію, не пов'язану з особою травмою, ігнорування цієї ситуації може призвести до пошкодження майна.*



*Вказує на ризик ураження електричним струмом.*



*Вказує на ризик виникнення пожежі.*

## ЗАГАЛЬНІ ПРАВИЛА БЕЗПЕКИ ПРИ ЕКСПЛУАТАЦІЇ ЕЛЕКТРИЧНОГО ІНСТРУМЕНТА



**ПОПЕРЕДЖЕННЯ:** *Ознайомтеся з усіма попередженнями, інструкціями з техніки безпеки, зображеннями та специфікаціями, які поставляються з даним електричним інструментом. Невиконання нижченаведених інструкцій може призвести до ураження електричним струмом, пожежі та/або серйозних тілесних ушкоджень.*

### ЗБЕРІГАЙТЕ ВСІ ПОПЕРЕДЖЕННЯ ТА ІНСТРУКЦІЇ ДЛЯ ПОДАЛЬШОГО ВИКОРИСТАННЯ

Термін «електричний інструмент» в усіх попередженнях стосується використовуваних вами інструментів, що живляться від мережі енергопостачання (з електричним кабелем) або від акумуляторів (без кабелю).

#### 1) Безпека робочої зони

- Робоча зона завжди має бути чистою та добре освітленою. Захаращена або темна робоча зона призводить до нещасних випадків.*
- Не використовуйте електричні інструменти у вибухонебезпечній атмосфері, наприклад поруч із вогнебезпечними рідинами, газами та пилом. Електричні інструменти створюють іскри, що можуть запалити пил або пару.*
- Тримайте дітей та сторонніх подалі під час використання інструмента. Відвернення уваги може призвести до втрати контролю.*

#### 2) Електрична безпека

- Вилка електричного інструмента повинна відповідати розетці. Ніколи жодним чином не змінюйте вилку. Не використовуйте адаптери з замкнутими на землю (заземленими) електричними інструментами. Немодифіковані вилки та розетки, що підходять до них, зменшують ризик ураження електричним струмом.*

- Уникайте контакту тіла з заземленими поверхнями, такими як труби, радіатори, плити та холодильники. Якщо ваше тіло заземлене, збільшується ризик ураження електричним струмом.*
- Не залишайте електричні інструменти під дощем або в умовах підвищеної вологості. Вода, що потрапляє в електричний інструмент, підвищує ризик ураження електричним струмом.*
- Не використовуйте кабелів живлення не за призначенням. Ніколи не переносьте, не тягніть та не відключайте електричний інструмент від розетки живлення за допомогою шнура. Тримайте шнур подалі від високих температур, мастила, гострих предметів та рухомих деталей. Пошкоджені або перекручені шнури підвищують ризик ураження електричним струмом.*
- При використанні електричного інструмента на вулиці, використовуйте подовжувальний шнур, що підходить для використання на вулиці. Використання шнура, що призначений для використання поза приміщенням, знижує ризик ураження електричним струмом.*
- Якщо неможливо уникнути використання електричного інструмента в умовах підвищеної вологості, використовуйте живлення, захищене пристроєм залишкового струму (RCD). Використання RCD знижує ризик ураження електричним струмом.*

#### 3) Особиста безпека

- Будьте в стані готовності, дивіться, що ви робите, та будьте розсудливі, працюючи з електричним інструментом. Не використовуйте електричний інструмент, коли ви втомлені або знаходитесь під впливом наркотичних речовин, алкоголю або ліків. Втрата уваги під час роботи з електричним інструментами може призвести до серйозних травм.*
- Використовуйте особисті засоби безпеки. Завжди використовуйте засоби захисту очей. Засоби безпеки, такі як протипилова маска, неслизькі безпечні черевки, захисний шолом та засоби захисту слухового апарату при використанні для відповідних умов зменшують імовірність особистих травм.*
- Уникайте випадкового запуску. Переконайтесь в тому, що вимикач знаходиться в позиції Вимк., перш ніж підключати інструмент до джерела живлення та/або акумулятора, переміщувати або переносити. Може статися нещасний випадок, коли ви переносите інструмент, тримаючи палець на вимикачі, або підключаєте живлення до вимикача в позиції Увімк.*
- Зніміть усі ключі для регулювання або гайкові ключі, перш ніж вмикати електричний інструмент. Гайковий ключ, що залишився прикріпленим до якоїсь деталі електричного*

пристрою, що обертається, може призвести до травм.

- e) **Не прикладайте надмірного зусилля. Завжди утримуйте правильну постановку ніг і рівновагу.** Це дає вам змогу краще контролювати інструмент в неочікуваних ситуаціях.
- f) **Одягайтеся відповідним чином. Не вдягайте вільний одяг або прикраси. Тримайте ваше волосся та одяг подалі від рухомих деталей.** Вільний одяг, прикраси або довге волосся можуть зачепитися за рухомі деталі.
- g) **Якщо передбачені пристрої для підключення до засобів виділення та збирання пилу, переконайтеся, що вони правильно підключені та використовуються.** Використання таких пристроїв зменшує ризик виникнення небезпечних ситуацій, що пов'язані з потраплянням пилу.
- h) **Навіть якщо ви добре знаєте інструмент та часто його використовуйте, не розслабляйтесь та не забувайте про принципи техніки безпеки.** Необережні дії можуть за долю секунди призвести до важких тілесних ушкоджень.

#### 4) Використання електричного інструмента та подгляд за ним

- a) **Не прикладайте надмірних зусиль під час роботи з інструментом. Використовуйте електричний інструмент, який відповідає завданню, що виконується.** Правильно обраний інструмент виконає завдання краще та безпечніше за умов, для яких він був розроблений.
- b) **Не використовуйте інструмент, якщо його неможливо ввімкнути та вимкнути за допомогою вимикача.** Будь-який електричний інструмент, яким неможливо керувати за допомогою вимикача, є небезпечним і має бути відремонтований.
- c) **Якщо вилка знімна, відключіть її від джерела живлення та/або вийміть акумулятор, перш ніж виконувати будь-які налаштування, змінювати додаткове обладнання або зберігати інструмент.** Ці профілактичні заходи зменшують ризик випадкового запуску електричного інструмента.
- d) **Зберігайте вимкнені електричні інструменти в недоступному для дітей місці та не дозволяйте особам, що не знайомі з електричним інструментом або цими інструкціями, використовувати електричний інструмент.** Електричні інструменти є небезпечними, якщо вони використовуються некваліфікованими користувачами.
- e) **Технічне обслуговування електричних інструментів та приладдя. Перевіряйте неспіввідповідність, заїдання рухомих деталей, наявність пошкоджених частин та інших факторів, які можуть впливати на роботу електричного інструмента. Якщо є**

**пошкодження, відремонтуйте електричний інструмент перед використанням.** Нещасні випадки часто є результатом того, що інструмент не пройшов відповідного технічного обслуговування.

- f) **Різальні інструменти мають бути гострими та чистими.** Правильно доглянуті різальні інструменти з гострими різальними кромками мають меншу імовірність заїдання, та ними легше керувати.
- g) **Використовуйте електричний інструмент, додаткові інструменти та деталі інструменту тощо у відповідності до цих інструкцій та відповідно до даного типу електричних інструментів, зважаючи на умови використання та роботу, яка має бути виконана.** Використання електричних інструментів не за призначенням може призвести до виникнення небезпечних ситуацій.
- h) **Всі ручки та поверхні для тримання інструмента мають бути сухими, без залишків мастила.** Слизькі ручки та поверхні для тримання не дозволяють безпечно працювати та контролювати інструмент у неочікуваних ситуаціях.

#### 5) Обслуговування

- a) **Надавайте ваш електричний інструмент для обслуговування кваліфікованому спеціалісту з ремонту та використовуйте тільки ідентичні замініні деталі.** Це забезпечить безпеку електричного пристрою.

#### Вказівки з техніки безпеки для фрезерів

- a) **Тримайте електричний інструмент лише за ізольовану поверхню ручки, аби ріжучий елемент не торкався власного шнура живлення.** При розрізанні дроту під напругою у відкритих металевих деталях інструменту може виникнути напруга, що призведе до ураження оператора електричним струмом.
- b) **Використовуйте затискач або інший спосіб закріплення деталі, що оброблюється, на стабільній платформі.** Утримування заготовки в руці та притискання її до тіла робить її нестабільною та може призвести до втрати контролю.
- c) **Всі ручки інструменту повинні бути сухими, чистими та без залишків мастила.** Це поліпшить контроль над інструментом.
- d) **Міцно тримайте інструмент обома руками, щоб протистояти пусковому моменту.** За будь-яких обставин міцно тримайте інструмент під час роботи.
- e) **Тримайте руки подалі від зони різання зверху та знизу підшови. Ніколи не підставляйте руки під деталь.** Під час різання міцно тримайте основу фрезера в контакт з деталлю.
- f) **Ніколи не торкайтесь різця відразу після використання. Він може бути занадто гарячим.**



- g) **Перш ніж покласти фрезер, переконайтеся, що двигун повністю зупинився.** Якщо різець обертається, коли ви кладете інструмент, це може призвести до тілесного ушкодження або пошкодження інструмента.
- h) **Перед запуском двигуна переконайтеся, що різець фрезера знаходиться на достатній відстані від деталі.** Якщо при запуску двигуна різець знаходиться в контакті з деталлю, фрезер може підстрибнути й призвести до тілесного ушкодження або пошкодження інструмента.
- i) **Дозволена швидкість різця повинна щонайменше дорівнювати максимальній швидкості, вказаній на електричному інструменті.** Якщо різці працюватимуть швидше, ніж їх номінальна швидкість, вони можуть зламатися й відскокити.
- j) **Завжди дотримуйтесь рекомендацій виробника щодо швидкості, оскільки різці певної конструкції потребують певної швидкості для безпечної та продуктивної роботи.** Якщо ви не певні щодо належної швидкості або стикаєтесь з проблемами, зверніться до виробника різця.
- k) **Не використовуйте для цього інструмента різці, діаметр яких перевищує 50 мм (2 дюйма).**

## Залишкові ризики



**УВАГА:** Ми рекомендуємо використовувати пристрій з керуванням диференційним струмом з номінальним значенням диференційного струму 30 мА або менше.

Дотримання всіх правил техніки безпеки та застосування пристроїв безпеки не гарантує уникнення певних залишкових ризиків. До такого переліку належать:

- Порушення слуху.
- Ризик тілесних ушкоджень через частинки, які розлітаються.
- Ризик опіків через нагрівання приладдя під час роботи.
- Ризик тілесних ушкоджень через занадто тривале використання.

## ЗБЕРІГАЙТЕ ЦІ ІНСТРУКЦІЇ

## Електрична безпека

Електричний двигун розроблений для роботи лише з одним значенням напруги. Завжди перевіряйте відповідність джерела живлення напрузі, яка зазначена на таблиці з паспортними даними.



Ваш інструмент виробництва компанії DEWALT має подвійну ізоляцію відповідно до стандартів EN62841; тому провід заземлення не є потрібним. DWE625 LX (115V) призначений для використання із захисним трансформатором, виготовленим відповідно до стандартів BSEN61558 та BS4343. Ніколи не працюйте без цього трансформатора.

Якщо кабель живлення пошкоджений, його має замінювати лише фахівець компанії DEWALT або офіційний сервісний центр.

## Заміна мережевої вилки (тільки для Великої Британії та Ірландії)

Якщо потрібно встановити нову вилку, виконайте кілька дій:

- Зніміть стару вилку та утилізуйте її, дотримуючись правил техніки безпеки.
- Приєднайте коричневий провідник до активного виходу вилки.
- Приєднайте блакитний провідник до нейтрального виходу.



**УВАГА!** Жоден провідник не має бути підключений до клеми заземлення.

Дотримуйтесь інструкцій щодо встановлення, які постачаються з якісними вилками. Рекомендований запобіжник для вилки на 230 В у Великій Британії: 13 А.

## Установка мережевої вилки на пристрої 115 В (тільки для Великої Британії та Ірландії)

- Встановлена мережева вилка повинна відповідати вимогам стандарту BS EN 60309 (BS4343), 32 ампер.



**УВАГА!** Завжди стежте за тим, щоб кабельний затиск був правильно і надійно закріплений на оболонці кабелю.

## Використання електричного подовжувача

Якщо необхідний подовжувач, використовуйте рекомендований 3-жильний подовжувальний шнур, що підходить для споживаної потужності інструмента (див. **Технічні характеристики**). Мінімальний розмір провідника становить 1,5 мм<sup>2</sup>; максимальна довжина – 30 м. При використанні кабельного барабану завжди витягуйте весь кабель.

## Комплект поставки

До комплекту входить:

- 1 Фрезер
- 1 Цанговий патрон 12 мм (1/2" для Великої Британії та Республіки Ірландії)
- 1 Напрямна планка
- 2 Напрямні штанги
- 1 Напрямна гільза (30 мм)
- 1 Гайковий ключ 22 мм
- 1 Трубка для видалення пилу SA
- 1 Блок дистанційного вимикача (лише для DWE627)
- 1 Інструкція з експлуатації
- Перевірте інструмент, деталі та приладдя на пошкодження, що могли виникнути під час транспортування.
- Перед використанням уважно прочитайте та повністю зрозумійте цей посібник.

## Маркування інструмента

На інструменті є наступні піктограми:



Прочитайте інструкції цього керівництва перед використанням.



Використовуйте засоби захисту органів слуху.



Використовуйте засоби захисту очей.



Видиме випромінювання. Не дивіться на джерело світла.

## Розташування коду дати (Рис. [Fig.] A)

Код дати **56**, що включає також рік виробництва, зазначений на корпусі.

Приклад:

2020 XX XX

Рік виробництва

## Опис (рис. А)



**УВАГА!** Ніколи не модифікуйте електричні інструменти або їх деталі. Це може призвести до пошкодження майна або тілесних ушкоджень.

- 1 Дисківий перемикач швидкості
- 2 Основні ручки
- 3 Тригерний перемикач «Увімк./Вимк.»
- 4 Коліщатко з накаткою
- 5 Стрижень обмежувача висоти
- 6 Важіль блокування глибини врізання
- 7 Кнопка швидкого розблокування
- 8 Кнопка блокування шпинделя
- 9 Цанговий патрон у зборі
- 10 Опорна пластина
- 11 Багатопозиційний револьверний упор
- 12 Планка обмеження глибини
- 13 Гайковий ключ 22 мм
- 14 Кільце швидкого скидання до нуля
- 15 Фіксатор швидкого налаштування висоти
- 16 Регулятор швидкого налаштування висоти
- 17 Покажчик
- 18 Регулятор тонкого налаштування
- 19 Кільце точного скидання до нуля
- 20 Перемикач кнопки блокування

## Сфера застосування

Фрезери DWE625 та DWE627 були розроблені для професійного фрезерування деревини, дерев'яних матеріалів та пластиків у важкому режимі експлуатації.

Ці фрезери призначені для фрезерування канавок, кромки, профілів і пазів, а також для копіювального фрезерування.

**НЕ** використовуйте за умов підвищеної вологості або в присутності легкозаймистих рідин та газів. DWE625 та DWE627 – це професійні електричні інструменти. DWE627 сконструйований таким чином, щоб його можна було встановити на столі фрезера. Фрезер можна встановлювати лише на столах, які відповідають юридичним вимогам безпеки для столів фрезерів.

**НЕ** дозволяйте дітям підходити на небезпечну відстань та торкатися інструмента. Використання інструмента недосвідченими операторами потребує нагляду.

- **Діти та хворі люди.** Цей пристрій не призначений для експлуатації дітьми та особами з обмеженими розумовими та фізичними можливостями без стороннього контролю.
- Цей пристрій не призначений для використання особами (включаючи дітей) із зниженими фізичними, сенсорними або розумовими можливостями або особами, яким бракує досвіду або знань за винятком випадків, коли такі особи працюють під наглядом особи, яка несе відповідальність за їх безпеку. Не можна залишати дітей наодинці з цим приладом.



**ОБЕРЕЖНО!** Перед користуванням будь-яким із елементів керування, прочитайте наведені нижче розділи.

## Важіль блокування глибини врізання (рис. В)

Важіль блокування глибини врізання **6** дає змогу зупинити робочий різець на зазначеній висоті.

1. Натискайте важіль блокування глибини врізання **6**, доки не почуєте клацання, коли опускаєте різець фрезера в заготовку.
2. Ви можете опускати пристрій, доки він не досягне заданого обмеження.
3. Щоб зафіксувати інструмент на місці під час вертикального переміщення, натисніть кнопку швидкого розблокування **7**.

## Цангові патрони (рис. С)



**УВАГА!** *Небезпека викиду уламків. Використовуйте лише різці з хвостовиком, що відповідає параметрам встановленого цангового патрона. Експлуатація різців з хвостовиком менших розмірів може зменшити надійність їх кріплення під час роботи.*



**ОБЕРЕЖНО!** *Ніколи не затягуйте цанговий патрон без попереднього встановлення різця фрезера. Затягування цангового патрона без попереднього встановлення різця, навіть вручну, може його пошкодити.*

Цанговий патрон входить у комплект цього фрезера.

- 12 мм: Європа
- 1/2" : Великобританія

- Щоб замінити цангові патрони **35**, відкрутіть цанговий патрон у зборі **9**.
- Різько витягніть старий цанговий патрон з цангової гайки **36** і вставте новий **35**.
- Натисніть із зусиллям, щоб новий цанговий патрон проскочив за стопорну пружину в цанговій гайці.

## Багатопозиційний револьверний упор

(рис. E)

**УВАГА!** Не змінюйте револьверний упор під час роботи фрезера. Ваші руки знаходитимуться занадто близько до головки ріжучого елемента.

Револьверний упор **11** обмежує глибину, на яку можна заглибити інструмент. Він складається з трьох гвинтів різної довжини, які визначають глибину різання, обмежуючи хід планки обмеження глибини **12**.

- Глибину фрезерування можна налаштувати, вибравши гвинт відповідної довжини на револьверній голівці.
- Револьверна голівка обертається разом з фіксаторами для правильного вирівнювання гвинтів.
- Глибину фрезерування визначає взаємодія планки обмеження глибини та револьверного упора.
- Якщо жоден із гвинтів, що входить до комплекту постачання, не здається наближеним до бажаної висоти, кожен з них можна відрегулювати, послабивши шестигранну гайку внизу, а потім повернувши гвинт усередину або витягнувши його, щоб отримати належну довжину. Після регулювання цього гвинта обов'язково затягніть шестигранну гайку внизу за допомогою гайкового ключа на 8 мм **55**.
- Див. розділ «Встановлення глибини фрезерування», щоб отримати інструкції щодо використання револьверного упора під час фактичної операції.

## Стрижень обмежувача висоти та коліщатко з накаткою для обмеження висоти (рис. G)

Стрижень обмежувача висоти **5** і коліщатко з накаткою **4** обмежують висоту, на яку пристрій може підійти вгору по напрямних. Система регулюється від повністю нижнього положення, коли пристрій не може підійтись вгору незалежно від положення важеля розблокування глибини врізання, до повністю верхнього положення, коли нижня частина цангового патрона знаходиться на відстані 80 мм (3-5/32") над заготовкою.

Для зручності коліщатко з накаткою оснащено кнопкою швидкого розблокування **23**, яка дозволяє роз'єднати різьблення для пришивдення позиціонування, просто натиснувши кнопку збоку коліщатка.

**ПРИМІТКА.** Якщо заблоковано важіль розблокування глибини врізання, коліщатко з накаткою для обмеження висоти легше переміщати вгору, і легше переміщати коліщатко з накаткою вниз, якщо пристрій спочатку перемістити вниз, послабивши важіль розблокування глибини врізання, а потім затягнувши його.

## МОНТАЖ ТА НАЛАШТУВАННЯ

**ПОПЕРЕДЖЕННЯ:** Щоб знизити ризик серйозних тілесних ушкоджень, вимкніть інструмент та відключіть акумулятор перед виконанням будь-яких налаштувань або зніманням/встановленням додаткового обладнання або приладдя. Випадковий запуск може призвести до травм.

## Встановлення та зняття фрези (рис. C, F)

**УВАГА!** Не затягуйте цанговий патрон без під'єднаної фрези.

**УВАГА!** Завжди використовуйте фрези з хвостовиком, які відповідають діаметру цангового патрона.

**УВАГА!** Не використовуйте фрези розміром більше 50 мм (2"), якщо фрезер не встановлено на столі фрезера.

**ОБЕРЕЖНО!** Виймаючи фрезу, слід бути обережним, щоб уникнути порізів пальців.

## Встановлення фрези

- Вставте принаймні три чверті довжини хвостовика фрези в цанговий патрон у зборі **9**.
- Натисніть фіксатор шпинделя **8** вперед, доки шпиндель фрезера не буде заблоковано.  
**ПРИМІТКА.** Можливо, вам доведеться трохи повернути шпиндель, щоб зачепити його.
- Поверніть цангову гайку **36** проти годинникової стрілки за допомогою ключа на 22 мм **13**, що входить до комплекту постачання, щоб затягнути її.

## Зняття фрези

- Натисніть кнопка блокування шпинделя **8** вперед, доки шпиндель фрезера не буде заблоковано.
- Поверніть цангову гайку **9** за годинниковою стрілкою за допомогою ключа на 22 мм **13**, що входить до комплекту постачання, щоб послабити її.
- Продовжуйте повертати гайковий ключ, поки цангова гайка не затягнеться, а потім вгору не послабиться. Це безвідомний механізм, що звільняє цанговий патрон.
- Тепер фреза має від'єднатися.

**ПРИМІТКА.** Щоразу після закінчення використання фрези знімайте її зберігати в безпечному місці.

## Регулятор тонкого налаштування висоти

(рис. A, D, E)

**ОБЕРЕЖНО!** Переконайтеся, що важіль блокування глибини врізання розблокований. Ніколи не застосовуйте зайву силу для обертання механізму тонкого регулювання висоти.

**ОБЕРЕЖНО!** Не викручуйте гвинт з шестигранних гайок.



Регулятор тонкого налаштування висоти можна використовувати в портативному режимі або коли фрезер знаходиться у столі.

### Налаштування глибини різання (рис. А, D, E)

Ваш фрезер оснащений високоточною системою регулювання глибини, включаючи кільце скидання до нуля як для регулятора швидкого налаштування висоти, так і для регулятора тонкого налаштування висоти.

#### Швидке налаштування за допомогою градування з кільцем скидання до нуля

1. Послабте фіксатор швидкого налаштування висоти з обмежувачем глибини **15**.
2. Розблокуйте обмежувач заглиблення, натиснувши важіль розблокування **6** вниз.
3. Опускайте каретку фрезера до контакту фрези із деталлю.
4. Натисніть кнопку швидкого блокування **7**.
5. Встановіть регулятор швидкого налаштування висоти **16** на нуль і скиньте кільця скидання тонкого налаштування **19** до нуля. Планка обмеження глибини **12** має збігатися з револьверним упором **11**.
6. Налаштуйте глибину різання за допомогою регулятора швидкого налаштування висоти **16** і відповідного градування. Налаштована глибина різання вказується покажчиком **17**.
7. Затягніть фіксатор швидкого налаштування висоти **15**.

#### Тонке регулювання

У разі неможливості застосування шаблону глибини, а також при новій установці глибини різання рекомендується використовувати регулятор точного налаштування висоти **18**.

1. Налаштуйте глибину різання, як описано в розділі «Налаштування глибини різання».
2. Встановіть регулятор тонкого налаштування висоти на нуль за допомогою кільця точного скидання до нуля **19**.
3. Поверніть регулятор тонкого налаштування висоти **18** у потрібне положення: один оберт відповідає приблизно 1 мм, а 1 позначка – 0,1 мм.

### Встановлення напрямної гільзи (рис. H)

Разом із шаблоном напрямні гільзи відіграють важливу роль у різанні й формуванні візерунка.

- Використовуючи гвинти **25**, прикріпіть напрямну гільзу **24** до основи фрезера **10**, як показано на малюнку.

### Встановлення напрямної планки (рис. I, J)

1. Встановіть напрямну штангу **26** на основі фрезера **10**.
2. Просуньте напрямну планку **27** на штанги.
3. Затягніть болти-баранці **28** тимчасово.

### Регулювання напрямної планки (рис. А, I, J)

1. Намалюйте на матеріалі лінію різання.
2. Опускайте каретку фрезера до контакту фрези із деталлю.

3. Натисніть кнопку швидкого розблокування **7** і обмежте повернення каретки за допомогою коліщата з накаткою **4**.
4. Розташуйте фрезер на лінії різання.
5. Посуньте напрямну планку **27** на деталь та затягніть болти-баранці **28**.
6. Відрегулюйте напрямну планку за допомогою ручки тонкого налаштування **29**. Зовнішня різальна кромка фрези повинна збігатися з лінією різання.
7. За потреби послабте гвинти **30** і відрегулюйте напрямні рейки **31** для отримання необхідної довжини напрямної.



### Видалення пилу (рис. А, K, P)

Пил від таких матеріалів, як покриття, що містять свинець, і деякі породи деревини, може завдати шкоди здоров'ю. Вдихання пилу може викликати алергічні реакції та/або привести до респіраторних інфекцій у користувача або сторонніх осіб.

Певні види пилу, такі як дубовий або буковий пил, вважаються канцерогенними, особливо у поєднанні з добавками для обробки деревини.

При роботі з матеріалами дотримуйтесь правил, що діють у вашій країні.

Пилосос має відповідати оброблюваному матеріалу.

При сухому прибиранні пилососом, особливо шкідливого для здоров'я або канцерогенного пилу, використовуйте пилосос класу M.

### Підключення адаптера для пристроїв видалення пилу (рис. K)

Адаптер для пристрою видалення пилу складається з корпусу **32**,

кришки **33**, адаптера трубки пилососа **34**, одного гвинта трубки пилососа **37**, двох базових гвинтів **52** і двох гайок **53**.

1. Посуньте кришку **33** на корпус **32** до фіксації.
2. Помістіть корпус **32** на основу та закріпіть його двома гвинтами **52** та гайками **53**.
3. Зніміть гвинт **37** з верхньої частини фрезера і за допомогою цього гвинта приєднайте адаптер трубки пилососа **34** до фрезера.

### З'єднувальний шланг пилососа (рис. P)

**⚠ УВАГА! Ризик вдихання пилу.** Для зниження ризику отримання травм **ЗАВЖДИ** використовуйте схвалену пилозахисну маску.

Ваш інструмент оснащений адаптером трубки для видалення пилу **34**.

Шланги багатьох пилососів можна прикріпити безпосередньо до патрубку видалення пилу.



**⚠ УВАГА! ЗАВЖДИ** використовуйте пилосос, розроблений згідно з відповідними директивами щодо викиду пилу при розрізанні деревини. Шланги багатьох пилососів можна прикріпити безпосередньо до отвору для видалення пилу.

1. Під'єднайте шланг пилососа **38** до адаптера трубки пилососа **34** за допомогою системи DeWALT AirLock.

**ПРИМІТКА.** Використовуючи пристрій для видалення пилу, переконайтеся, що пилосос не заважає і надійно закріплений, щоб він не перекинувся і не заважав фрезеру або заготовці. Шланг пилососа й шнур живлення також мають бути розташовані так, щоб вони не заважали фрезеру або заготовці. Якщо пилосос або шланг пилососа не можна розташувати належним чином, їх потрібно зняти.

## РЕЖИМ РОБОТИ

### Інструкції з використання

**!** **ПОПЕРЕДЖЕННЯ:** Завжди дотримуйтесь усіх інструкцій з техніки безпеки та відповідних норм.

**!** **ПОПЕРЕДЖЕННЯ:** Щоб знизити ризик серйозних травм, вимкніть інструмент та відключіть його від мережі живлення перед виконанням будь-яких налаштувань або зніманням/встановленням насадок або приладдя. Випадковий запуск може призвести до травм.

### Належне положення рук (рис. 0)

**!** **УВАГА!** Щоб знизити ризик серйозних травм, **ЗАВЖДИ** правильно розташуйте руки, як показано.

**!** **УВАГА!** Щоб знизити ризик серйозних травм, **ЗАВЖДИ** надійно тримайте інструмент, щоб попередити випадкову віддачу.

Правильне положення рук вимагає, щоб обидві руки знаходились на основних ручках **2**.

### Використання фрезера (рис. A, L)

**!** **ОБЕРЕЖНО!** Увімкніть фрезер, перш ніж занурювати фрезерну головку в деталь.

Обережно!

- Надмірне різання може спричинити перевантаження двигуна або труднощі з керуванням інструментом, глибина різання не повинна перевищувати 15 мм (19/32") під час різання канавок різцем з діаметром 8 мм (5/16").
- Під час різання канавок різцем з діаметром 20 мм (25/32") глибина різання не повинна перевищувати 5 мм (3/16") за проход.
- Для особливо глибоких канавок зробіть два або три проходи з дедалі глибшими налаштуваннями врізання різця.

Обережно!

- Після тривалої роботи на низьких швидкостях дайте машині охолонути, запустивши її протягом трьох хвилин на максимальній швидкості без навантаження.

Усі звичайні завдання фрезерування можна виконувати за допомогою заглибного фрезера на всіх типах дерева та пластику:

- Нарізання канавок

- Фальцювання
- Пазування
- Фігурне різання
- Профілювання

Щоб запобігти перевантаженню інструмента через неправильний вибір швидкості, дотримуйтеся рекомендованих нижче налаштувань:

МАТЕРІАЛ	ДІАМЕТР ФРЕЗИ	
	10-30 мм	30-50 мм
Деревина твердих порід	7-5	6-2
Деревина м'яких порід	7-6	7-5
Оброблена деревно-стружкова плита	7-6	7-4
Пластик	7-5	7-4

**ПРИМІТКА.** На панелях, оброблених шаруватим пластиком, слід використовувати тільки фрези з твердосплавними пластинами. Твердий шаруватий пластик швидко затупить сталеві фрези.

**ПРИМІТКА.** Для кращого ковзання при заглибленні часто очищайте стійки від пилу чи сміття. Якщо заглиблювальні рухи не такі плавні, як потрібно, змастіть стійки сухим тефлоновим мастилом.

1. Після встановлення глибини різання, як описано, розташуйте фрезер так, щоб різець знаходився безпосередньо над місцем, яке ви будете різати.
2. Коли фрезер працює, плавно опустіть пристрій у заготовку. **НЕ ДАВІТЬ ФРЕЗЕРОМ ВНИЗ.**
3. Коли інструмент досягне попередньо встановленої глибини, натисніть кнопку швидкого розблокування **7** для фіксації.
4. По закінченні фрезерування натисніть важіль блокування глибини врізання **6** для розфіксації і дозвольте пружині витягнути фрезер безпосередньо із заготовки.
5. Завжди подавайте фрезер протилежно напрямку, в якому обертається фреза. Див. рис. L.

### Тригерний перемикач «Увімк./Вимк.» (рис. A)

**!** **УВАГА!** Для зменшення ризику отримання серйозних травм **вимкніть пристрій та відключіть його від джерела живлення перед виконанням будь-яких регулювань, зняттям/встановленням насадок або приладдя.** Випадковий запуск може призвести до травм.

1. Для ввімкнення пристрою натисніть тригерний перемикач «Увімк./Вимк.» **3**. Продовжуйте натискати тригерний перемикач або перемикач кнопки блокування **20** для безперервного спрацювання.
2. Для вимкнення пристрою:
  - а. Якщо тригер блокування увімкнено, відпустіть кнопку блокування, натиснувши й відпустивши тригер.

- b. Якщо перемикач блокування не ввімкнено, повністю відпустіть тригер.

## Регулятор змінної швидкості (рис. А)



**УВАГА!** Якщо регулятор швидкості перестав працювати або працює з перервами, негайно припиніть використання інструменту. Відправте його на фабрику DEWALT або в авторизований сервісний центр для ремонту.

**ПРИМІТКА.** Фрезер оснащено електронікою для моніторингу та підтримки швидкості інструмента під час різання. При роботі з низькою та середньою швидкістю контроль швидкості запобігає зниженню швидкості двигуна. Якщо ви очікуєте почути зміну швидкості та продовжуєте навантажувати двигун, ви можете пошкодити двигун через перегрівання. Зменшіть глибину різання та/або зменшіть швидкість подачі, щоб запобігти пошкодженню інструмента.

Щоб вибрати швидкість фрезера, див. **Таблицю вибору швидкості**. Для керування швидкістю фрезера повертайте регулятор швидкості ①. Швидкість змінюється від 9000 до 22 000 об/хв за допомогою регулятора швидкості ①.

1. Поверніть регулятор швидкості в необхідне положення. Регулятор пронумерований від 1 до 7, що відповідає швидкості обертання фрезера від 9000 до 22 000 об/хв.
2. Використовуйте повільніші налаштування для фрез великого діаметру і швидші для фрез малого діаметру.
3. Правильне налаштування також залежатиме від щільності матеріалу, глибини різку та швидкості подачі фрезера.

**ПРИМІТКА.** Помітна втрата обертів двигуна означає його перевантаження.

### ТАБЛИЦЯ ВИБОРУ ШВИДКОСТІ

НАЛАШТУВАННЯ РЕГУЛЯТОРА	ПРИБЛ. ШВИДКІСТЬ ОБЕРТАННЯ, об/хв
1	9000
2	11000
3	13000
4	15000
5	18000
6	20000
7	22000

Швидкість у цій таблиці є приблизною. Її вказано лише для довідки. Ваш фрезер може не відтворити точну швидкість, вказану для налаштувань регулятора.



**УВАГА!** Завжди дотримуйтесь рекомендацій виробника щодо швидкості, оскільки різці певної конструкції потребують певної швидкості для безпечної та продуктивної роботи.

Якщо ви не певні щодо належної швидкості або стикаєтеся з проблемами, зверніться до виробника різця.



## Світлодіодне підсвічування (рис. F)



**ОБЕРЕЖНО!** Уникайте прямого погляду на джерело робочого світла. Це може призвести до серйозного пошкодження очей.

Дві світлодіодні лампи робочого світла 57 розташовані поруч із цанговим патроном у зборі 9.

1. Лампи робочого світла 57 будуть постійно світитися, коли фрезер підключено до джерела живлення.
2. Щоб вимкнути лампи робочого світла, фрезер потрібно відключити від джерела живлення.

**ПРИМІТКА.** Робоче світло призначене для освітлення безпосередньої робочої поверхні й не призначене для використання в якості ліхтарика.

## Налаштування системи блокування заглиблення (рис. B)

Заглиблення повністю автоматично блокується для всіх розрізів. Для складних операцій різання обов'язково натискайте важіль до корпусу інструмента. Положення важеля блокування глибини врізання 6 встановлене на заводі так, щоб важіль не торкався корпусу двигуна; якщо важіль блокування глибини врізання починає вдарятися по корпусу при натисканні важеля швидкого розблокування, відрегулюйте положення важеля блокування таким чином:

1. Натисніть кнопку швидкого розблокування 7. Замок важеля блокування глибини врізання розблокується автоматично.
2. Використовуючи зіркоподібний різець Torx 20 39, послабте гвинт із буртиком 54 на важелі блокування глибини занурення 6 шістьма обертами проти годинникової стрілки. **Не видаляйте повністю.**
3. Підніміть важіль блокування глибини врізання, поверніть і перемістіть його в положення 2 (на одинадцятій годині).
4. Затягніть гвинт із буртиком.
5. Якщо після встановлення в положення 2 ковзання є неправильним, повторіть кроки з 1 по 3 і перемістіть важіль блокування в положення 1. Затягніть гвинт із буртиком.

## Формування натуральної деревини



**УВАГА!** Під час фрезерування завжди блокуйте важіль блокування глибини врізання.

Під час формування кромки з натуральної деревини завжди формуйте спочатку торцеву волокнину, а потім довгу. Це гарантує, що у разі викиду волокон він видалятиметься під час фрезерування довгої волокнини.

## Встановлення глибини фрезерування (рис. D, E)

1. Установіть фрезер із фрезюю, прикріплюючи до заготовки.

- Налаштуйте багатопозиційний револьверний упор **11** за необхідності.
- Послабте ручку швидкого регулювання **15**, щоб закріпити обмежувач глибини **12**.
- Щоб почати заглиблення, натисніть вниз важіль блокування глибини врізання **6**.
- Повільно опускайте фрезер, поки фреза не торкнеться заготовки, і закріпіть її на місці, натиснувши кнопку швидкого розблокування **7**.
- Обертайте регулятор швидкого налаштування висоти **16**, доки планка обмежувача глибини **12** не торкнеться кількох револьверних упорів **13**. Закріпіть у потрібному положенні, затягнувши фіксатор регулятора швидкого налаштування висоти **15**.
- Якщо глибина різання потребує повторного регулювання, радимо використовувати регулятор швидкого налаштування глибини **16** для грубих налаштувань або регулятор тонкого налаштування висоти для точних налаштувань.
- Відрегулюйте глибину різання за допомогою регулятора тонкого налаштування висоти **18**.

**ПРИМІТКА.** Один оборот регулятора тонкого налаштування висоти **18** відповідає 1 мм (3/64"), а один оборот регулятора швидкого налаштування висоти **15** відповідає 40 мм (1-1/2")

- Зчитайте глибину різання за допомогою кільця швидкого скидання до нуля **14** і кільця точного скидання до нуля **19**.
- Відстань між верхньою частиною револьверного обмежувача глибини та нижньою частиною обмежувача глибини – це необхідна глибина різання.
- Стопорні гвинти револьверного упору **11** можна використовувати для налаштування до трьох глибин різання. Висоту можна відрегулювати за допомогою плоскої викрутки та ключа на 8 мм (5/16").

**ПРИМІТКА.** Повертаючи револьверний упор, можна швидко зробити три налаштування глибини.

## Регулятор тонкого налаштування висоти (рис. D)

Цей фрезер має вбудований регулятор тонкого налаштування висоти. Його слід використовувати, коли необхідне тонке налаштування висоти фрези. Це особливо рекомендовано, якщо ви використовуєте пристосування зі з'єднанням «ластівчин хвіст» або фрезерні столи.

## Напрямок подачі (рис. L)

**!** **УВАГА!** Уникайте зустрічного різання (різання у напрямку, протилежному показаному на рис. L). Зустрічне різання підвищує ризик втрати контролю, що може призвести до тілесних ушкоджень. Якщо необхідно виконувати зустрічне різання (зміна напрямку на куті), дійте з надзвичайною обережністю, щоб не втратити контроль над

фрезером. З кожним проходом здійснюйте дрібніші розрізи та знімайте мінімум матеріалу.

Напрямок подачі є дуже важливим при фрезеруванні, від нього залежить різниця між успішною роботою та зруйнованим проектом. На рис. L показано правильний напрямок подачі для більшості розрізів.

- Під час фрезерування уздовж кромки напрямок руху фрезера повинен бути протилежним напрямку обертання фрези. Це забезпечить правильну різальну дію та запобіжить вириванню фрези. Це також підштовхуватиме фрезер у напрямку заготовки, а бічне огородження або напрямний підшипник буде менш імовірно відходити від краю заготовки.

## Швидкість подачі

Швидкість, з якою фреза подається в деревину, не повинна бути надто високою, щоб двигун сповільнювався, або занадто низькою, щоб фреза залишала сліди від опіків на поверхні дерева.

**ПРИМІТКА.** Потренуйтеся оцінювати швидкість, слухаючи звук двигуна під час фрезерування.

## Послідовність заглиблення

**!** **УВАГА!** Під час фрезерування завжди блокуйте важіль блокування глибини врізання.

- Заглибтесь і заблокуйте каретку двигуна, натиснувши кнопку швидкого розблокування **7**.
- Виконайте потрібну операцію фрезерування.
- Натисніть вниз важіль блокування глибини врізання **6**, і каретка двигуна повернеться в нормальне положення.

## Використання бічного огородження (рис. M)

**!** **ОБЕРЕЖНО!** Переконайтеся, що робоче положення є зручним і на відповідній робочій висоті.

- Переконайтеся, що болти-баранці **28** повністю відкручені. Вставте напрямні штанги **26** у підшосу фрезера **10** і затягніть болти-баранці.
- Відрегулюйте ручку тонкого регулювання огородження **29** на потрібну відстань і закріпіть її за допомогою болтів-баранців **28**.
- Потім знизуйте висоту фрези до тих пір, поки фреза не буде трохи вище заготовки.
- Щоб налаштувати тонке регулювання, ослабте болт-баранець **28** і відрегулюйте ручку тонкого регулювання **29**.
- Затягніть болт-баранець **28**, щоб закріпити позицію.

**ПРИМІТКА.** Один оберт ручки тонкого регулювання бічного огородження **29** дорівнює 3/64" (1,0 мм) бічної подачі.

- Опустіть фрезу на заготовку і встановіть висоту фрези на потрібну відстань. Див. розділ «Налаштування глибини фрезера».
- Увімкніть фрезер і після того, як фреза досягне повної швидкості, обережно опустіть фрезу в заготовку та зафіксуйте заглиблення.

- Виконайте подачу вздовж деталі, зберігаючи бічний тиск, щоб бічне огородження не відходило від краю заготовки, і натисніть внутрішню ручку вниз, щоб запобігти перекиданню фрезера.
- По завершенні підніміть фрезер, зафіксуйте його за допомогою важеля блокування глибини врізання **6** і вимкніть фрезер.  
**ПРИМІТКА.** Починаючи розріз, тисніть на передню щокку, поки задня щокка не торкнеться краю заготовки.  
**ПРИМІТКА.** Наприкінці розрізу тисніть на задню щокку, доки не закінчиться розріз. Це запобіжить розгойдуванню фрези на кінці заготовки та защемленню кута.

## Фрезерування за допомогою бічного огородження (рис. 1, J)

Бічне огородження використовується для спрямування фрезера під час формування, профілювання кромки або фальцювання краю заготовки чи фрезерування канавок і прорізів у центрі заготовки паралельно кромці.

Край заготовки має бути прямим і рівним.

Напрямні рейки **31** можна регулювати, і в ідеалі вони мають бути встановлені із зазором 1/8 дюйма (3 мм) з кожного боку фрези.

## Використання рейки як напрямної

Якщо не можна використовувати край деталі як напрямний елемент, можна вести фрезер уздовж рейки, закріпленої на заготовці (рейка з обох кінців повинна виступати за краї заготовки.)

## Вільне фрезерування

**УВАГА!** Робіть тільки неглибокі розрізи!  
Використовуйте фрези з максимальним діаметром 6 мм.

Цей фрезер можна використовувати без напрямних, наприклад, під час виконання написів або для творчої роботи.

## Режим столу (рис. Q)

(ЛИШЕ ДЛЯ DWE627)

**УВАГА!** Перед встановленням DWE627 у стіл фрезера переконайтеся, що стіл фрезера відповідає всім юридичним вимогам безпеки для столів фрезерів. Прочитайте усі попередження, інструкції з техніки безпеки та технічні характеристики, що надаються разом із столом фрезера. Невиконання всіх інструкцій та правил техніки безпеки може призвести до ураження електричним струмом, пожежі та/або серйозних травм.

**УВАГА!** Для зниження ризику отримання серйозних травм **вимкніть пристрій та відключіть його від джерела живлення перед виконанням будь-яких регулювань, зняттям/встановленням насадок або приладдя.** Випадковий запуск може призвести до травм.

**УВАГА!** Не використовуйте DWE627 як переносний фрезер, якщо під'єднано блок вимикачів живлення.

**УВАГА!** **ОБЕРЕЖНО!** Якщо всередині гнізда вимикача є пил, очистіть її, перш ніж використовувати блок вимикача живлення.

- Щоб під'єднати блок вимикача живлення **42** до фрезера, від'єднайте інструмент від джерела живлення.
- Прикріпіть блок вимикача живлення **42** до верстата в місці, куди легко дістатися рукою і яке запобігає ненавмисному вмиканню.  
**ПРИМІТКА.** Зовнішній вимикач можна закріпити на столі фрезера за допомогою чотирьох монтажних отворів.
- Кабель повинен бути встановлений і закріплений таким чином, щоб унеможливити його стискання або зіткнення з гострими краями.
- Натисніть на кнопку блокування **43**, розташовану на лівій бічній ручці **44**, кульковою ручкою або маленькою викруткою, щоб розблокувати кришку ручки **45**.  
**ПРИМІТКА.** Якщо всередині гнізда вимикача є пил, очистіть її, перш ніж використовувати блок вимикача живлення.
- Продовжуйте натискати кнопку блокування **43** і повертайте кришку ручки **45**, щоб отримати доступ до гнізда вимикача живлення **46**.
- Переконайтеся, що лопатевий перемикач з блоку вимикача живлення знаходиться у вимкненому положенні, перш ніж під'єднати його до гнізда вимикача живлення.
- Під'єднайте штекер блоку вимикача живлення **47** до гнізда вимикача живлення **46**.
- Закрутіть кільцеву гайку **48** штекера блока вимикача **47** у гніздо вимикача **46** до фіксації.
- Прикріпіть заглибний фрезер під верстатом відповідно до вашого застосування або ж інструкції з фрезерного столу.
- Знову підключіть інструмент до джерела живлення. Тепер фрезер можна вмикати та вимикати, натискаючи на лопать **49** на блоці вимикача живлення **42**.
- Витягніть лопать **49**, щоб запустити інструмент, і вставте лопать, щоб вимкнути його.

## Налаштування глибини різання під час встановлення фрезера в перевернутому положенні (рис. G)

**УВАГА!** Для того, щоб працювати з фрезером у перевернутому положенні, зверніться до відповідної інструкції з експлуатації стаціонарних верстатів.

- Зніміть ковпачкову гайку **51** та коліщатко з накаткою **4** та встановіть на те місце регулятор глибини (DE6966), який можна придбати додатково.
- Вкрутіть нарізний кінець регулятора глибини у стрижень обмежувача висоти **5**.
- За допомогою регулятора глибини встановіть необхідну глибину різання.

## Фрезерування за допомогою пілотної фрези (рис. R)

Якщо не можна використовувати напрямну планку або напрямну гільзу, можна застосувати пілотну фрезу (50) для виконання фігурного краю.

До її складу входять цангові патрони (6-12,7 мм), регулятор глибини та стіл для використання з фрезером у перевернутому положенні, пальцеві шипи для пристосувань зі з'єднанням «ластівчин хвіст», шаблони під шипи «ластівчин хвіст», регульовані тримачі для напрямних гільз, напрямні гільзи, а також напрямні штанги різної довжини.

## ТЕХНІЧНЕ ОБСЛУГОВУВАННЯ

Ваш електричний інструмент призначений для роботи протягом довгого часу з мінімальним обслуговуванням. Довга задовільна робота приладу залежить від належного обслуговування приладу та регулярного його очищення.



**ПОПЕРЕДЖЕННЯ:** Щоб знизити ризик серйозних травм, вимкніть інструмент та відключіть його від мережі живлення перед виконанням будь-яких налаштувань або зніманням/встановленням насадок або приладдя. Випадковий запуск може призвести до травм.

## Ремонт



**УВАГА!** Щоб гарантувати БЕЗПЕКУ та НАДІЙНІСТЬ виробу, ремонт, технічне обслуговування та налаштування (включаючи ремонт шнура живлення, а також перевірку та заміну щіток, якщо є) мають виконуватися заводським сервісним центром DEWALT або офіційним сервісним центром DEWALT. Завжди використовуйте змінні деталі, ідентичні оригінальним.



## Змащування

Ваш електричний інструмент не вимагає додаткового змащування.



## Очищення



**ПОПЕРЕДЖЕННЯ:** Коли пил та бруд стають помітними та починають накопичуватися біля вентиляційних отворів, видуйте бруд та пил зсередини основного корпусу за допомогою сухого повітря. Використовуйте рекомендовані засоби захисту органів зору та рекомендовану протипилову маску при виконанні цієї операції.



**ПОПЕРЕДЖЕННЯ:** Ніколи не використовуйте розчинники та інші агресивні хімічні засоби для очищення неметалевих деталей інструмента. Такі хімічні речовини можуть нанести шкоду матеріалам, що використовуються в цих деталях.

Використовуйте вологу ганчірку, змочену лише водою з м'яким милом. Не дозволяйте рідині потрапляти всередину інструмента та ніколи не занурюйте деталі інструмента в рідину.

## Додаткові аксесуари



**ПОПЕРЕДЖЕННЯ:** Оскільки інше приладдя, що не зазначене виробником DEWALT, не перевірялося з цим пристроєм, його використання з інструментом може бути небезпечним. Необхідно використовувати лише рекомендовані DEWALT приладдя з цим пристроєм, щоб знизити ризик отримання травм.

Зверніться до свого дилера для отримання подальшої інформації щодо відповідного приладдя.

## Точки кріплення основи до приладь (рис. N)

Цей фрезер має три різьбові отвори **53**, вбудовані в основу, що дозволяє прикріплювати його до інших приладь.

## Захист навколишнього середовища



Роздільний збір. Пристрої позначені цим символом, не можна викидати зі звичайним побутовим сміттям.

Пристрої містять матеріали, які можна відновити та переробити, що зменшить потребу у сировині. Утилізуйте електротехнічну продукцію відповідно до місцевих положень. Більш детальну інформацію можна отримати на сайті [www.2helpu.com](http://www.2helpu.com).



0660

Виробник:  
"Stanley Black & Decker Deutschland GmbH" Black-&-Decker Str.40, D-65510 Idstein, Німеччина



**DEWALT**

ГАРАНТІЙНИЙ ТАЛОН

**3 РОКИ  
ГАРАНТІЇ**

1. Вітаємо Вас з покупкою високоякісного виробу DEWALT і висловлюємо вдячність за Ваш вибір.
2. При купівлі виробу вимагайте перевірки його комплекtnості і справності у Вашій присутності, інструкцію з експлуатації та заповнений гарантійний талон українською мовою. В гарантійному талоні повинні бути внесені: модель, дата продажу, серійний номер, дата виробництва інструменту, назва, печатка і підпис торгової організації. За відсутності у Вас правильно заповненого гарантійного талону, а також при невідповідності зазначених у ньому даних ми будемо змушені відхилити Ваші претензії щодо якості даного виробу.
3. Щоб уникнути непорозумінь, переконливо просимо Вас перед початком роботи з виробом уважно ознайомитися з інструкцією з його експлуатації. Правовою основою справжніх гарантійних умов є чинне Законодавство. Гарантійний термін на даний виріб складає 36 місяців і обчислюється з дня продажу. У разі усунення недовліків виробу, гарантійний строк продовжується на період його перебування в ремонті. Термін служби виробу становить 5 років з дня продажу.
4. У разі виникнення будь-яких проблем у процесі експлуатації виробу рекомендуємо Вам звертатися тільки в уповноважені сервісні центри DEWALT, адреси та телефони яких Ви зможете знайти в гарантійному талоні, на сайті [www.2helpU.com](http://www.2helpU.com) або дізнатися в магазині. Наші сервісні станції - це не тільки кваліфікований ремонт, але і широкий асортимент запчастин і аксесуарів.
5. Виробник рекомендує проводити періодичну перевірку і технічне обслуговування виробу в уповноважених сервісних центрах.
6. Наші гарантійні зобов'язання поширюються тільки на несправності, виявлені протягом гарантійного терміну і викликані дефектами виробництва та \` або матеріалів.
7. Гарантійні умови не поширюються на несправності виробу, що виникли в результаті:
  - 7.1. Недотримання користувачем приписів інструкції з експлуатації виробу, застосування виробу не за призначенням, неправильного зберігання, використання приладдя, витратних матеріалів і запчастин, що не передбачені виробником.
  - 7.2. Механічного пошкодження (відколи, тріщини і руйнування) внутрішніх і зовнішніх деталей виробу, основних і допоміжних рукояток, мережевого кабелю, що викликані зовнішнім ударним або будь-яким іншим впливом
  - 7.3. потрапляння у вентиляційні отвори та проникнення всередину виробу сторонніх предметів, матеріалів або речовин, що не є відходами, які супроводжують застосування виробу за призначенням, такими як: стружка, тирса, пісок, та ін.
  - 7.4. впливу на виріб несприятливих атмосферних і інших зовнішніх факторів, таких як дощ, сніг, підвищена вологість, нагрівання, агресивні середовища, невідповідність параметрів електромережі, що зазначені на інструменті.
  - 7.5. стихійного лиха. Пошкодження або втрати виробу, що пов'язані з непередбаченими лихами, стихійними явищами, у тому числі внаслідок дії непереборної сили (пожежа, блискавка, потоп і інші природні явища), а також внаслідок перепадів напруги в електромережі та іншими причинами, які знаходяться поза контролем виробника.
8. Гарантійні умови не поширюються:
  - 8.1. на інструменти, що піддавались розкриттю, ремонту або модифікації поза уповноваженим сервісним центром.
  - 8.2. на деталі, вузли та матеріали, що мають сліди природного зносу, такі як: приводні реміні і колеса, вугільні щітки, мастило, підшипники, зубчасті зчеплення редукторів, гумові ущільнення, сальники, направляючі ролики, муфти, вимикачі, бойки, штовхачі, стволы тощо.
  - 8.3. на змінні частини: патрони, цанги, затискні гайки і фланці, фільтри, ножі, шліфувальні підшоши, ланцюги, зірочки, пильні шини, захисні кожухи, пилки, абразиви, пильні і абразивні диски, фрези, свердла, бури тощо
  - 8.4. на несправності, що виникли в результаті перевантаження інструменту (як механічного, так і електричного), що спричинили вихід з ладу одночасно двох і більше деталей і вузлів, таких як: ротора і статора, обох обмоток статора, веденої і ведучої шестерень редуктора або інших вузлів і деталей. До безумовних ознак перевантаження виробу відносяться, крім інших: поява кольорів мільності, деформація або оплавлення деталей і вузлів виробу, потемніння або обуглювання ізоляції проводів електродвигуна під впливом високої температури.

Товар отриманий в справному стані, без видимих ушкоджень, в повній комплектації, перевірений у моїй присутності, претензій щодо якості товару не маю. З умовами гарантійного обслуговування ознайомлений і згоден.

П. І. Б. та підпис власника \_\_\_\_\_

**Шановні клієнти, наша мережа авторизованих сервісних центрів постійно розширюється. Актуальну інформацію про обслуговування в місті, що цікавить вас, ви можете дізнатися на сайті**

**[www.2helpU.com](http://www.2helpU.com)**

Редакція ВК/12-12-2018



Інформація про інструмент

Найменування інструменту	
Модель	
Найменування продавця	
Дата продажу	

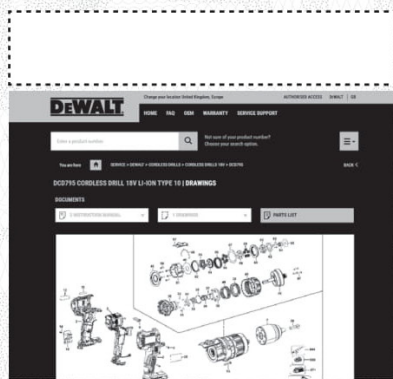
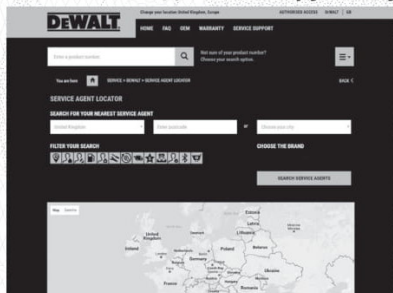
М.П.  
Продавця

Серійний номер/Дата виробництва

Інструмент	
Зарядний пристрій	
Акумулятор 1	
Акумулятор 2	

На сайті [www.2helpU.com](http://www.2helpU.com) доступні наступні функції:

- Список авторизованих сервісних центрів
- Зручний пошук найближчого сервісного центру
- Керівництво з експлуатації
- Технічні характеристики
- Список деталей і запасних частин
- Схема складання інструменту



Також дану інформацію ви можете отримати, зателефонувавши за номером:  
**0 (800) 211 521 в Україні**

ВІДМІТКА ПРО ПРОВЕДЕННЯ СЕРВІСНОГО ОБСЛУГОВУВАННЯ

№1	№2	№3	№4
№ замовлення	№ замовлення	№ замовлення	№ замовлення
Дата прийому	Дата прийому	Дата прийому	Дата прийому
Дата ремонту	Дата ремонту	Дата ремонту	Дата ремонту
Печатка і підпис сервісного центру	Печатка і підпис сервісного центру	Печатка і підпис сервісного центру	Печатка і підпис сервісного центру







