

**DEWALT®**

**[www.DEWALT.com](http://www.DEWALT.com)**

**D25501**

**D25601**

---

<b>English</b>	<b>3</b>
<b>简体中文</b>	<b>10</b>
<b>ภาษาไทย</b>	<b>16</b>

---

Figure 1A  
 图 1A  
 3D 1A

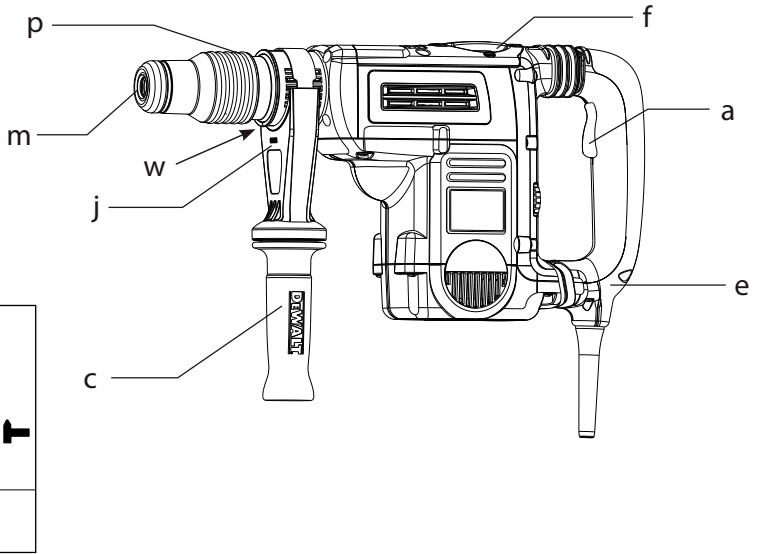
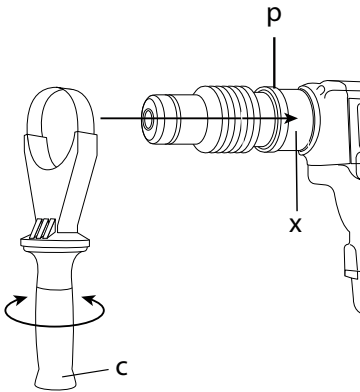
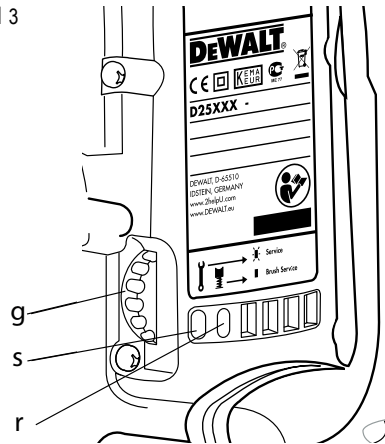


Fig. 2  
 图 2  
 3D 2



D25501, D25601

Fig. 3  
 图 3  
 3D 3



D25601

Fig. 4A  
图 4A  
꺆뵁 4A

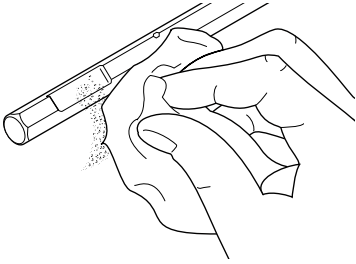


Fig. 4B  
图 4B  
꺆뵁 4B

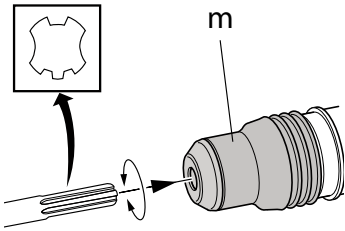


Fig. 5  
图 5  
꺆뵁 5

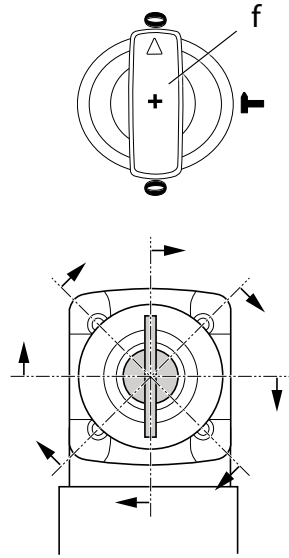
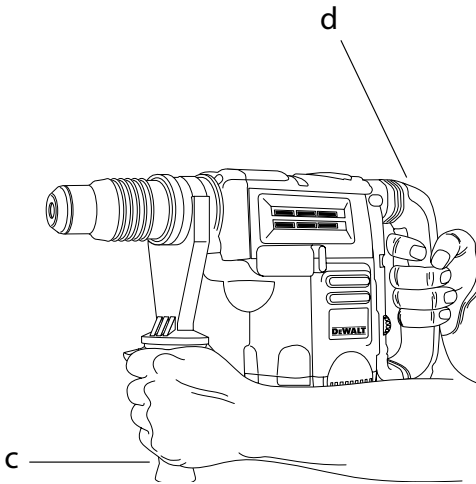


Fig. 6  
图 6  
꺆뵁 6



D25501, D25601,

# SDS MAX COMBINATION & CHIPPING HAMMERS

## D25501, D25601

### Congratulations!

You have chosen a DEWALT tool. Years of experience, thorough product development and innovation make DEWALT one of the most reliable partners for professional power tool users.

### Technical Data

		D25501	D25601
Voltage (B1)	V	220-240	220-240
Power input	W	1100	1250
Impact energy	J	11	1.5-13
Total drilling range in concrete:			
solid bits	mm	12-40	12-45
core bits	mm	40-90	40-100
Optimum drilling range in concrete:			
solid bits	mm	18-26	25-35
Chisel positions		18	18
Tool holder		SDS Max®	SDS Max®
Chisel positions	kg	6.15	6.8

### Definitions: Safety Guidelines

The definitions below describe the level of severity for each signal word. Please read the manual and pay attention to these symbols.



**DANGER:** Indicates an imminently hazardous situation which, if not avoided, **will** result in **death or serious injury**.



**WARNING:** Indicates a potentially hazardous situation which, if not avoided, **could** result in **death or serious injury**.



**CAUTION:** Indicates a potentially hazardous situation which, if not avoided, **may** result in **minor or moderate injury**.

**NOTICE:** Indicates a practice **not related to personal injury** which, if not avoided, **may** result in **property damage**.



Denotes risk of electric shock.



Denotes risk of fire.



**WARNING:** To reduce the risk of injury, read the instruction manual.

### General Power Tool Safety Warnings



**WARNING!** Read all safety warnings and instructions. Failure to follow the warnings and instructions may result in electric shock, fire and/or serious injury.

### SAVE ALL WARNINGS AND INSTRUCTIONS FOR FUTURE REFERENCE

The term "power tool" in the warnings refers to your mains-operated (corded) power tool or battery-operated (cordless) power tool.

#### 1) WORK AREA SAFETY

- Keep work area clean and well lit.**  
Cluttered or dark areas invite accidents.
- Do not operate power tools in explosive atmospheres, such as in the presence of flammable liquids, gases or dust.** Power tools create sparks which may ignite the dust or fumes.
- Keep children and bystanders away while operating a power tool.** Distractions can cause you to lose control.

#### 2) ELECTRICAL SAFETY

- Power tool plugs must match the outlet. Never modify the plug in any way. Do not use any adapter plugs with earthed (grounded) power tools.** Unmodified plugs and matching outlets will reduce risk of electric shock.
- Avoid body contact with earthed or grounded surfaces such as pipes, radiators, ranges and refrigerators.** There is an increased risk of electric shock if your body is earthed or grounded.
- Do not expose power tools to rain or wet conditions.** Water entering a power tool will increase the risk of electric shock.
- Do not abuse the cord. Never use the cord for carrying, pulling or unplugging the power tool. Keep cord away from heat, oil, sharp edges or moving parts.** Damaged or entangled cords increase the risk of electric shock.
- When operating a power tool outdoors, use an extension cord suitable for outdoor use.** Use of a cord suitable for outdoor use reduces the risk of electric shock.

- f) **If operating a power tool in a damp location is unavoidable, use a residual current device (RCD) protected supply.** Use of an RCD reduces the risk of electric shock.

### 3) PERSONAL SAFETY

- a) **Stay alert, watch what you are doing and use common sense when operating a power tool. Do not use a power tool while you are tired or under the influence of drugs, alcohol or medication.** A moment of inattention while operating power tools may result in serious personal injury.
- b) **Use personal protective equipment. Always wear eye protection.** Protective equipment such as dust mask, non-skid safety shoes, hard hat, or hearing protection used for appropriate conditions will reduce personal injuries.
- c) **Prevent unintentional starting. Ensure the switch is in the off position before connecting to power source and/or battery pack, picking up or carrying the tool.** Carrying power tools with your finger on the switch or energising power tools that have the switch on invites accidents.
- d) **Remove any adjusting key or wrench before turning the power tool on.** A wrench or a key left attached to a rotating part of the power tool may result in personal injury.
- e) **Do not overreach. Keep proper footing and balance at all times.** This enables better control of the power tool in unexpected situations.
- f) **Dress properly. Do not wear loose clothing or jewellery. Keep your hair, clothing and gloves away from moving parts.** Loose clothes, jewellery or long hair can be caught in moving parts.
- g) **If devices are provided for the connection of dust extraction and collection facilities, ensure these are connected and properly used.** Use of dust collection can reduce dust-related hazards.
- c) **Disconnect the plug from the power source and/or the battery pack from the power tool before making any adjustments, changing accessories, or storing power tools.** Such preventive safety measures reduce the risk of starting the power tool accidentally.
- d) **Store idle power tools out of the reach of children and do not allow persons unfamiliar with the power tool or these instructions to operate the power tool.** Power tools are dangerous in the hands of untrained users.
- e) **Maintain power tools. Check for misalignment or binding of moving parts, breakage of parts and any other condition that may affect the power tool's operation. If damaged, have the power tool repaired before use.** Many accidents are caused by poorly maintained power tools.
- f) **Keep cutting tools sharp and clean.** Properly maintained cutting tools with sharp cutting edges are less likely to bind and are easier to control.
- g) **Use the power tool, accessories and tool bits etc., in accordance with these instructions taking into account the working conditions and the work to be performed.** Use of the power tool for operations different from those intended could result in a hazardous situation.

### 5) SERVICE

- a) **Have your power tool serviced by a qualified repair person using only identical replacement parts.** This will ensure that the safety of the power tool is maintained.

## Additional Safety Instructions for Rotary Hammers

- **Wear ear protectors.** Exposure to noise can cause hearing loss.
- **Use auxiliary handle(s), if supplied with the tool.** Loss of control can cause personal injury.
- **Hold power tool by insulated gripping surfaces, when performing an operation where the cutting accessory may contact hidden wiring or its own cord.** Cutting accessory contacting a "live" wire may make exposed metal parts of the power tool "live" and could give the operator an electric shock.

### 4) POWER TOOL USE AND CARE

- a) **Do not force the power tool. Use the correct power tool for your application.** The correct power tool will do the job better and safer at the rate for which it was designed.
- b) **Do not use the power tool if the switch does not turn it on and off.** Any power tool that cannot be controlled with the switch is dangerous and must be repaired.

## Residual Risks

The following risks are inherent to the use of rotary and chipping hammers:

- Injuries caused by touching the rotating parts or hot parts of the tool

In spite of the application of the relevant safety regulations and the implementation of safety devices, certain residual risks cannot be avoided. These are:

- Impairment of hearing.
- Risk of squeezing fingers when changing the accessory.
- Health hazards caused by breathing dust developed when working in concrete and/or masonry.

## Markings on Tool

The following pictograms are shown on the tool:



Read instruction manual before use.



Red service indicator LED. For detailed description see under **Service Indicator LED's**.



Yellow service indicator LED. For detailed description see under **Service Indicator LED's**.

## DATE CODE POSITION (FIG. 1)

The Date Code (w), which also includes the year of manufacture, is printed into the housing.

Example:

2010 XX XX  
Year of Manufacture

## Package Contents

The package contains:

- 1 Rotary hammer
- 1 Side handle
- 1 Kitbox (K-models only)
- 1 Instruction manual
- Check for damage to the tool, parts or accessories which may have occurred during transport.
- Take the time to thoroughly read and understand this manual prior to operation.

## Description (fig. 1a, 1b, 2a–c)



**WARNING:** Never modify the power tool or any part of it. Damage or personal injury could result.

- a. Trigger switch
- c. Side handle
- d. Main handle
- e. Active vibration control (D25601)
- f. Mode selector switch
- g. Electronic speed and impact control dial (D25601)
- h. Clamp wheel
- i. Rear side handle position
- j. Side handle clamp
- k. Steel ring
- l. Bush
- m. Tool holder
- n. Depth rod release button
- o. Depth rod
- p. Locking sleeve
- q. Pin
- x. Collar

## INTENDED USE

### D25501,D25601

Your rotary hammer has been designed for professional rotary drilling and chipping applications.

**DO NOT** use under wet conditions or in presence of flammable liquids or gases.

These hammers are professional power tools.

**DO NOT** let children come into contact with the tool. Supervision is required when inexperienced operators use this tool.

## Soft Start Feature

### D25601

The soft start feature allows the speed to build up slowly, thus preventing the drill bit from walking off the intended hole position when starting. The soft start feature also reduces the immediate torque reaction transmitted to the gearing and the operator if the hammer is started with the drill bit in an existing hole.

## Electronic Speed and Impact Control (fig. 1, 3)

### D25601

The electronic speed and impact control (g) offers the following advantages:

- use of smaller accessories without risk of breakage;
- minimised break-out when chiselling or drilling in soft or brittle materials;
- optimal tool control for precise chiselling.

## Torque Limiting Clutch

The torque limiting clutch reduces the maximum torque reaction transmitted to the operator in case of jamming of a drill bit. This feature also prevents the gearing and electric motor from stalling. The torque limiting clutch has been factory-set and cannot be adjusted.

## Service Indicator LEDs (fig. 3)

### D25601

The yellow brushwear indicator LED (s) lights up when the carbon brushes are nearly worn out to indicate that the tool needs servicing within the next 8 hours of use.

### D25601

The red indicator starts to flash if there is a fault with the tool or the brushes have completely worn out (refer to **Brushes** under **Maintenance**).

## Fully Vibration-dampened Main Handle (fig. 1)

### D25601

The dampers in the side handle (c) absorb the vibrations transmitted to the user. This improves user comfort during the operation.

## Electrical Safety

The electric motor has been designed for one voltage only. Always check that the power supply corresponds to the voltage on the rating plate.



Your DEWALT tool is double insulated in accordance with IEC 60745; therefore no earth wire is required.

If the supply cord is damaged, it must be replaced by a specially prepared cord available through the DEWALT service organisation.

## Using an Extension Cable

An extension cord should not be used unless absolutely necessary. Use an approved extension cable suitable for the power input of this tool (see technical data). The minimum conductor size is 1 mm<sup>2</sup>; the maximum length is 30 m.

When using a cable reel, always unwind the cable completely.

## ASSEMBLY AND ADJUSTMENTS



**WARNING:** To reduce the risk of injury, turn unit off and disconnect machine from power source before installing and removing accessories, before adjusting or changing set-ups or when making repairs. Be sure the trigger switch is in the OFF position. An accidental start-up can cause injury.



**WARNING:** Tool bits may be hot and gloves should be worn when changing or removing them to avoid personal injury.

## Assembling and Fitting the Side Handle (fig. 2A, 2B)

The side handle (c) can be mounted in front or in rear position on either side of the machine to suit both RH- and LH-users.



**WARNING:** Always operate the tool with the side handle properly assembled.

### D25501, D25601

#### MOUNTING IN FRONT POSITION (FIG. 2A)

1. Snap the steel ring (k) over the collar (x) behind the tool holder (m). Squeeze both ends together, mount the bush (l) and insert the pin (q).
2. Place the side handle clamp (j) and screw on the clamp wheel (h). Do not tighten.



**WARNING:** Once assembled, the side handle clamp should never be removed.

3. Screw the side handle (c) into the bush (l) and then into clamp wheel. Tighten securely.
4. Rotate the side handle mounting assembly to the desired position. For drilling horizontally with a heavy drill bit, we recommend to place the side handle at an angle of approx. 20° for optimum control.
5. Lock the side handle mounting assembly in place by tightening the clamp wheel (h).



## MOUNTING IN REAR POSITION (FIG. 2B)

The rear position is particularly useful when drilling down into a floor.

1. Unscrew the side handle (c) and remove it from the front position. Leave the side handle mounting assembly in front position.
2. Screw the side handle directly into one of the rear side handle positions (i) on either side of the tool.

## Inserting and Removing SDS Max™ Accessories (fig. 1, 4A, 4B)

This machine uses SDS Max® bits and chisels (refer to the inset in figure 4B for a cross-section of an SDS Max® bit shank).

1. Clean the bit shank.
2. Pull back the locking sleeve (p) and insert the bit shank.
3. Turn the bit slightly until the sleeve snaps into position.
4. Pull on the bit to check if it is properly locked.  
The hammering function requires the bit to be able to move axially several centimetres when locked in the tool holder.
5. To remove a bit pull back the tool holder locking sleeve/ collar (p) and pull the bit out of the tool holder.

## Selecting the Operating Mode (fig. 1)



### Hammerdrilling:

D25501, D25601  
for concrete, brick, stone and masonry drilling operations.



### Hammering only:

D25501, D25601  
for chiselling and demolition applications. In this mode the tool can also be used as a lever to free a jammed drill bit.

1. To select the operating mode, rotate the mode selector switch (f) until it points to the symbol of the required mode.

It may be necessary to twist the tool holder (m) slightly to allow the mode selector switch (f) to pass the **0** position.

2. Check that the mode selector switch (f) is locked in place.

## Indexing the Chisel Position (fig. 5)

### D25501, D25601

The chisel can be indexed and locked into 18 different positions.

1. Rotate the mode selector switch (f) until it points towards the **0** position.
2. Rotate the chisel in the desired position.
3. Set the mode selector switch (f) to the “hammering only” position.
4. Twist the chisel until it locks in position.

## Setting the Electronic Speed and Impact Control Dial (fig. 1, 3)

### D25601

Turn the dial (g) to the desired level. Turn the dial upwards for higher speed and downwards for lower speed. The required setting is a matter of experience. E.g.:

- when chiselling or drilling in soft, brittle materials or when minimum break-out is required, set the dial to a low setting;
- when breaking or drilling in harder materials, set the dial to a high setting.

## OPERATION

### Instructions for Use



**WARNING:** Always observe the safety instructions and applicable regulations.



**WARNING:** To reduce the risk of serious personal injury, turn tool off and disconnect tool from power source before making any adjustments or removing/installing attachments or accessories.



**WARNING:** Tool bits may be hot and gloves should be worn when changing or removing them to avoid personal injury.



### WARNING:

- Be aware of the location of pipework and wiring.
- Apply only a gentle pressure to the tool (approx. 20 kg). Excessive force does not speed up drilling but decreases tool performance and may shorten tool life.
- Always hold the tool firmly with both hands and ensure a secure stance. Always operate the tool with the side handle properly assembled.

**NOTE:** Operating temperature of the D25501 is -7 to +40° C (19° to 104° F). Using the tool outside of this temperature range will decrease the life of the tool.

## Proper Hand Position (fig. 6)



**WARNING:** To reduce the risk of serious personal injury, **ALWAYS** use proper hand position as shown.



**WARNING:** To reduce the risk of serious personal injury, **ALWAYS** hold securely in anticipation of a sudden reaction.

Proper hand position requires one hand on the side handle (c), with the other hand on the main handle (d).

## Switching On and Off (fig. 1)

D25501, D25601

To turn the tool on, depress the trigger switch (a).

To stop the tool, release the trigger switch.

## Hammerdrilling

To turn the tool on, press the on/off switch (a).

To stop the tool, release the switch.

## Drilling with a Solid Bit (fig. 1)

D25501, D25601

1. Insert the appropriate drill bit.
2. Set the mode selector switch (f) to the hammerdrilling position.
3. D25601 only: Set the electronic speed and impact control dial(g).
4. Fit and adjust the side handle (c).
5. Mark the spot where the hole is to be drilled.
6. Place the drill bit on the spot and switch on the tool.
7. Always switch off the tool when work is finished and before unplugging.

## Drilling with a Core Bit (fig. 1)

1. Insert the appropriate core bit.
2. Assemble the centerdrill into the core bit.
3. Set the mode selector switch (f) to the hammerdrilling position.
4. D25601 only: Turn the electronic speed and impact control dial (g) to a medium or high speed setting.
5. Fit and adjust the side handle (c).

6. Place the centerdrill on the spot and switch on the tool. Drill until the core penetrates into the concrete approx. 1 cm.
7. Stop the tool and remove the centerdrill. Place the core bit back into the hole and continue drilling.
8. When drilling through a structure thicker than the depth of the core bit, break away the round cylinder of concrete or core inside the bit at regular intervals.  
To avoid unwanted breaking away of concrete around the hole, first drill a hole the diameter of the centerdrill completely through the structure. Then drill the cored hole halfway from each side.
9. Always turn the tool off when work is finished and before unplugging.

## Chipping and Chiselling (fig. 1)

D25501, D25601

1. Insert the appropriate chisel and rotate it by hand to lock it into one of 18 positions.
2. Set the mode selector switch (f) to the hammering only position.
3. D25601 only: Set the electronic speed and impact control dial(g).
4. Fit and adjust the side handle (c).
5. Turn the tool on and start working.
6. Always turn the tool off when work is finished and before unplugging.

## MAINTENANCE

Your DEWALT power tool has been designed to operate over a long period of time with a minimum of maintenance. Continuous satisfactory operation depends upon proper tool care and regular cleaning.



**WARNING:** To reduce the risk of injury, turn unit off and disconnect machine from power source before installing and removing accessories, before adjusting or changing set-ups or when making repairs. Be sure the trigger switch is in the OFF position. An accidental start-up can cause injury.

This machine is not user-serviceable. Take the tool to an authorised DEWALT repair agent after approximately 150 hours of use. If problems occur before this time contact an authorised DEWALT repair agent.

## Brushes (fig. 3)

The carbon brushes are not user-serviceable. Take the tool to an authorized DEWALT repair agent.

The yellow brushwear indicator LED (r) lights up when the carbon brushes are nearly worn out. After a further 8 hours of use or after the brushes have completely worn out the motor will automatically be shut off.

Tool maintenance needs to be carried out as soon as the service indicator (s) lights up.



## Lubrication

Your power tool requires no additional lubrication.



## Cleaning



**WARNING:** Blow dirt and dust out of the main housing with dry air as often as dirt is seen collecting in and around the air vents. Wear approved eye protection and approved dust mask when performing this procedure.



**WARNING:** Never use solvents or other harsh chemicals for cleaning the non-metallic parts of the tool. These chemicals may weaken the materials used in these parts. Use a cloth dampened only with water and mild soap. Never let any liquid get inside the tool; never immerse any part of the tool into a liquid.

## Optional Accessories



**WARNING:** Since accessories, other than those offered by DEWALT, have not been tested with this product, use of such accessories with this tool could be hazardous. To reduce the risk of injury, only DEWALT, recommended accessories should be used with this product.

Various types of SDS Max® drill bits and chisels are available as an option.

Consult your dealer for further information on the appropriate accessories.

## Protecting the Environment



Separate collection. This product must not be disposed of with normal household waste.



Should you find one day that your DEWALT product needs replacement, or if it is of no further use to you, do not dispose of it with household waste. Make this product available for separate collection.



Separate collection of used products and packaging allows materials to be recycled and used again. Re-use of recycled materials helps prevent environmental pollution and reduces the demand for raw materials.

Local regulations may provide for separate collection of electrical products from the household, at municipal waste sites or by the retailer when you purchase a new product.

DEWALT provides a facility for the collection and recycling of DEWALT products once they have reached the end of their working life. To take advantage of this service please return your product to any authorised repair agent who will collect them on our behalf.

You can check the location of your nearest authorised repair agent by contacting your local DEWALT office at the address indicated in this manual. Alternatively, a list of authorised DEWALT repair agents and full details of our after-sales service and contacts are available on the Internet at: [www.2helpU.com](http://www.2helpU.com).

# SDS MAX 多功能五坑电锤

## D25501, D25601

### 恭喜!

您已选择了得伟工具。凭借多年的产品开发和创新能力，得伟已经成为专业电动工具用户最可靠的合作伙伴之一。

### 技术参数

		D25501	D25601
电压	伏特	220-240	220-240
输入功率	瓦	1100	1250
冲击能量	焦	11	1.5-13
混凝土中的最大钻深:			
实心钻头	毫米	12-40	12-45
空心钻头	毫米	40-90	40-100
混凝土中的最佳钻深:			
实心钻头	毫米	18-26	25-35
凿子位置		18	18
工具夹持器		SDS Max®	SDS Max®
凿子位置	千克	6.15	6.8

### 定义: 安全指南

下列定义描述了各标志术语的严重程度。请仔细阅读本手册，并注意这些标志。



**危险:** 表示存在紧急危险情况，如果不加以避免，将导致**死亡或严重伤害**。



**警告:** 表示存在潜在的危險情况，如果不加以避免，可能导致**死亡或严重伤害**。



**警示:** 表示存在潜在危险情况，如果不加以避免，可能导致**轻度或中度伤害**。

**注意:** 表示存在不涉及人身伤害的情况，如果不加以避免，可能导致**财产损失**。



表示存在触电风险。



表示存在火灾风险。



**警告:** 为降低伤害风险，请阅读使用手册。

### 电动工具通用安全警告



**警告!** 阅读随电动工具提供的所有安全警告、说明、图示和规定。不遵照以下所列说明会导致电击、着火和/或严重伤害。

#### 保存所有警告和说明书以备查阅。

警告中的术语“电动工具”指市电驱动（有线）电动工具或电池驱动（无线）电动工具。

#### a) 工作场地的安全

- 1) 保持工作场地清洁和明亮。杂乱和黑暗的场地会引发事故。
- 2) 不要在易爆环境，如有易燃液体、气体或粉尘的环境下操作电动工具。电动工具产生的火花会点燃粉尘或气体。
- 3) 操作电动工具时，远离儿童和旁观者。注意力不集中会使操作者失去对工具的控制。

#### b) 电气安全

- 1) 电动工具插头必须与插座相配。绝不能以任何方式改装插头。需接地的电动工具不能使用任何转换插头。未经改装的插头和相配的插座将降低电击风险。
- 2) 避免人体接触接地表面，如管道、散热片和冰箱。如果你身体接地会增加电击风险。
- 3) 不得将电动工具暴露在雨中或潮湿环境中。水进入电动工具将增加电击风险。
- 4) 不得滥用电线。绝不能用软线搬运、拉动电动工具或拔出其插头。使软线远离热源、油、锐边或运动部件。受损或缠绕的软线会增加电击风险。
- 5) 当在户外使用电动工具时，使用适合户外使用的延长线。适合户外使用的电线将降低电击风险。
- 6) 如果无法避免在潮湿环境下操作电动工具，应使用带有剩余电流装置（RCD）保护的电源。RCD 的使用可降低电击风险。

## c) 人身安全

- 1) 保持警觉，当操作电动工具时关注所从事的操作并保持清醒。当你感到疲倦，或在有药物、酒精或治疗反应时，不要操作电动工具。在操作电动工具时瞬间的疏忽会导致严重人身伤害。
- 2) 使用个人防护装置。始终佩戴护目镜。防护装置，诸如适当条件下使用防尘面具、防滑安全鞋、安全帽、听力防护等装置能减少人身伤害。
- 3) 防止意外起动。在连接电源和/或电池盒、拿起或搬运工具前确保开关处于关断位置。手指放在开关上搬运工具或开关处于接通时通电会导致危险。
- 4) 在电动工具接通之前，拿掉所有调节钥匙或扳手。遗留在电动工具旋转零件上的扳手或钥匙会导致人身伤害。
- 5) 手不要过分伸展。时刻注意立足点和身体平衡。这样能在意外情况下能更好地控制住电动工具。
- 6) 着装适当。不要穿宽松衣服或佩戴饰品。让你的头发和衣服远离运动部件。宽松衣服、配饰或长发可能会卷入运动部件。
- 7) 如果提供了与排屑、集尘设备连接用的装置，要确保其连接完好且使用得当。使用集尘装置可降低尘屑引起的危险。
- 8) 不要因为频繁使用工具而产生的熟悉感而掉以轻心，忽视工具的安全准则。某个粗心的动作可能在瞬间导致严重的伤害。

## d) 电动工具使用和注意事项

- 1) 不要勉强使用电动工具，根据用途使用合适的电动工具。选用合适的按照额定值设计的电动工具会使你工作更有效、更安全。
- 2) 如果开关不能接通或关断电源，则不能使用该电动工具。不能通过开关来控制的电动工具是危险的且必须进行修理。
- 3) 在进行任何调节、更换附件或贮存电动工具之前，必须从电源上拔掉插头和/或卸下电池包（如可拆卸）。这种防护性的安全措施降低了电动工具意外起动的风险。
- 4) 将闲置不用的电动工具贮存在儿童所及范围之外，并且不允许不熟悉电动工具和不了解这些说明的人操作电动工具。电动工具在未经培训的使用者手中是危险的。
- 5) 维护电动工具及其附件。检查运动部件是否调整到位或卡住，检查零件破损情况和影响电动工具运行的其他状况。如有损坏，应在使

用前修理好电动工具。许多事故是由维护不良的电动工具引发的。

- 6) 保持切削刀具锋利和清洁。维护良好地有锋利切削刃的刀具不易卡住而且容易控制。
- 7) 按照使用说明书，并考虑作业条件和要进行的作业来选择电动工具、附件和工具的刀头等。将电动工具用于那些与其用途不符的操作可能会导致危险情况。
- 8) 保持手柄和握持表面干燥、清洁，不得沾有油脂。在意外的情况下，湿滑的手柄不能保证握持的安全和对工具的控制。

## e) 维修

- 1) 由专业维修人员使用相同的备件维修电动工具。这将保证所维修的电动工具的安全。

## 锤类工具的安全警告:

- 戴好耳罩。暴露在噪声中会引起听力损伤。
- 使用随工具提供的辅助手柄。操作失手会引起人身伤害。
- 在切削附件可能触及暗线或其自身软线之处进行操作时，要通过绝缘握持面来握持工具。切削附件碰到带电导线会使工具外露的金属零件带电从而使操作者受到电击。

## 剩余风险

使用电锤和电镐时具有下列固有危险:

- 碰触工具的旋转部件或发热部件会导致人身伤害

尽管遵守了相关的安全法规并采用了安全装备，某些其他风险仍然是无法避免的。这些风险包括:

- 听力损伤。
- 更换附件时夹到手指的风险。
- 在混凝土和/或砖石环境中工作时，吸入粉尘导致的健康危害。

## 工具上的标记

工具上印有下列图形:



使用前阅读使用手册。



红色维修 LED 指示灯。要了解详细说明，请参阅“维修 LED 指示灯”的相关内容。



黄色维修 LED 指示灯。要了解详细说明，请参阅“维修 LED 指示灯”的相关内容。

## 日期码位置 (图 1)

包含制造年份的日期码 (w) 打印在工具机壳内。

示例:

制造年份  
2010 XX XX

## 包装内的物品

包装内的物品包括:

- 1 把电锤
- 1 只侧手柄
- 1 个工具箱 (仅适用于 K 型号)
- 1 本使用手册
- 检查工具、部件或配件是否在运输过程中损坏。
- 操作前, 请抽空仔细阅读并掌握本手册。

## 说明 (图 1a, 1b, 2a-c)



**警告:** 切勿改装电动工具或其任何部件。否则可能会导致损坏或人身伤害。

- a. 触发开关
- c. 侧手柄
- d. 主手柄
- e. 有源振动控制 (D25601)
- f. 模式选择器开关
- g. 电子变速器和冲击控制旋钮 (D25601)
- h. 紧固轮
- i. 后侧手柄位置
- j. 侧手柄夹钳
- k. 钢环
- l. 衬套
- m. 工具夹持器
- n. 深度调节杆释放按钮
- o. 深度调节杆
- p. 锁定套管
- q. 销
- x. 轴环

## 设计用途

D25501, D25601

您的电锤设计用于专业旋转钻孔和切削应用。

请勿在潮湿环境中或在有易燃液体或气体的环境中使用。

这些电锤是专业型电动工具。

请勿让儿童接触工具。缺乏经验的操作员需要在监督下使用本工具。

## 软启动功能

D25601

工具的软启动功能可以缓慢加速, 以防钻头在工具启动时偏离钻孔位置。如果电锤启动时钻头位于已有的孔中, 则软启动功能还会降低直接传递到排挡和操作员的扭转效应。

## 电子变速器和冲击控制 (图 1, 3)

D25601

电子变速器和冲击控制 (g) 具有以下优点:

- 使用较小型附件, 无破损风险;
- 在软质或易脆材料上凿切或钻孔时可最大程度降低破损;
- 是精确凿切的最佳工具控制装置。

## 扭矩限制离合器

扭矩限制离合器可减少钻头卡住时传递到操作员的最大扭矩效应。此功能还可防止排挡和电机失速。扭矩限制离合器采用出厂设置, 无法调节。

## 维修 LED 指示灯 (图 3)

D25601

黄色电刷磨损 LED 指示灯 (s) 在碳刷接近损坏时会亮起, 表明工具需要在之后 8 个小时的使用中进行维修。

D25601

如果工具出现故障, 或者电刷完全磨损, 则红色指示灯会开始闪烁 (请参阅“维护”中的“电刷”部分)。

## 减震主手柄 (图 1)

D25601

侧手柄 (c) 上的减震层可吸收传递至操作员的震动, 提高操作员在操作过程中的舒适感。

## 电气安全

电机只适用一种工作电压。请务必检查电源电压是否与铭牌上的电压一致。



您的得伟工具依据 IEC 60745 标准设置双重绝缘; 因此无须接地线。

如果电源线损坏, 必须采用得伟维修机构提供的专用电线进行更换。

## 使用延长线

除非绝对必要，否则请勿使用延长线。使用适合本工具输入功率的合格延长电缆（请参见“技术参数”）。最小的导线尺寸为 1 平方毫米；最大长度为 30 米。

使用电缆卷筒时，请务必拉出所有的电缆。

## 组装与调整



**警告：**为降低人身伤害的风险，在拆、装配件或调整、修理工具之前，请关闭工具并拔下工具插头。请确保触发开关处于 OFF（关闭）位置。意外启动可能会导致人身伤害。



**警告：**工具钻头可能发热，因此更换或取下钻头时必须佩戴手套以防受伤。

## 组装和安装侧手柄（图 2A、2B）

侧手柄 (c) 可安装在机器任一侧的前端或后端，以适合右手和左手操作员。



**警告：**务必在正确组装侧手柄后才操作工具。

### D25501, D25601

#### 安装在前端位置（图 2A）

1. 将钢环 (k) 夹在工具夹持器 (m) 后面的轴环 (x) 中。挤压两端，安装衬套 (l) 并插入销 (q)。
2. 将侧手柄夹钳 (j) 拧到紧固轮 (h) 上。请勿拧紧。



**警告：**组装好后，切勿取下侧手柄夹钳。

3. 将侧手柄 (c) 拧进衬套 (l)，再拧进紧固轮。然后拧紧。
4. 将侧手柄安装组件旋转至所需位置。在使用重型钻头进行水平钻孔时，我们建议将侧手柄调整到约 20° 的角度以便获得最好的控制。
5. 通过转紧紧固轮 (h) 将侧手柄安装组件锁定到位。

#### 安装在后端位置（图 2B）

在地板上钻孔时，后端位置尤其实用。

1. 拧开侧手柄 (c) 并将其从前端位置取下。将侧手柄安装组件置于前端位置。
2. 将侧手柄直接拧入工具两侧的一个后侧手柄位置 (i)。

## 插入和取出 SDS Max 附件（图 1、4A、4B）

本机器使用 SDS Max® 钻头和凿子（请参阅插图中的图 4B 获取 SDS Max® 钻头杆的横截面图）。

1. 清洁钻头杆。
2. 向后拉锁定套管 (p) 然后插入钻头杆。
3. 稍微转动钻头直到套管卡入到位。
4. 拉动钻头以检查它是否正确锁定。锤击功能需要钻头在锁定到工具夹持器中时可以轴向移动数厘米。
5. 要取下钻头，请向后拉工具夹持器锁定套管/轴环 (p)，然后从工具夹持器中拉出钻头。

## 选择操作模式（图 1）



**锤钻：**

D25501, D25601

用于在混凝土和砖石上钻孔。



**仅锤击：**

D25501, D25601

用于凿切和破碎作业。在此模式下，工具还可用作杠杆，便于取出卡住的钻头。

1. 要选择操作模式，请旋转模式选择器开关 (f) 直到其指向所需的模式符号。可能需要轻微扭转工具夹持器 (m) 才能让模式选择器开关 (f) 经过 **0** 位置。
2. 确保模式选择器开关 (f) 锁定到位。

## 标记凿子位置（图 5）

### D25501, D25601

可标记凿子并将它锁定在 18 个不同的位置上。

1. 旋转模式选择器开关 (f) 直到它指向 **0** 位置。
2. 将凿子旋转至所需位置。
3. 将模式选择器开关 (f) 旋转到“锤击”位置。
4. 扭转凿子，直到其锁定到位。

## 设置电子变速器和冲击控制旋钮（图 1, 3）

### D25601

将旋钮 (g) 转至所需等级。将旋钮向上旋转选择较高转速，向下旋转选择较低转速。依据经验设置所需操作。例如：

- 在软质、易脆材料上凿切或钻孔，或在需要最大限度降低破损时，将旋钮调整为低设置；
- 在硬质材料上钻孔或进行破碎时，将旋钮调整为高设置。

## 操作 使用说明



**警告：**请务必遵守安全说明和适用法规。



**警告：**为降低严重的人身伤害风险，在进行任何调整或取出/安装附件或配件之前，请关闭工具电源和断开工具电源连接。



**警告：**工具钻头可能发热，因此更换或取下钻头时必须佩戴手套以防受伤。



**警告：**

- 注意水管和电线的布线位置。
- 轻轻地对工具施加压力（约 20 千克）。过度用力不但不会加快钻孔的速度，而且会降低工具性能并可能缩短工具使用寿命。
- 务必用双手紧握工具并确保站稳。务必在正确组装侧手柄后才操作工具。

注：D25501 的工作温度为 -7 至 40°C (19° 至 104°F) 在此温度范围外使用工具会降低工具的使用寿命。

## 正确的手持方式（图 6）



**警告：**为降低严重的人身伤害风险，请务必使用正确的手持方式，如图所示。



**警告：**为降低严重的人身伤害风险，请务必紧握工具以防止出现突然的反作用力。

正确的手持方式要求一只手握住侧手柄 (c)，另一只手则握住主手柄 (d)。

## 开启和关闭（图 1）

D25501, D25601

要启动工具，请按下触发开关 (a)。

要停止工具，请松开触发开关。

## 锤钻

要启动工具，请按下开关 (a)。

要停止工具，请松开开关。

## 使用实心钻头钻孔（图 1）

D25501, D25601

1. 插入相应的钻头。
2. 将模式选择器开关 (f) 旋转到锤钻位置。
3. 仅适用于 D25601: 设置电子变速器和冲击控制旋钮 (g)。
4. 安装和调整侧手柄 (c)。
5. 在要钻孔的位置做标记。
6. 将钻头对准标记并开启工具。
7. 作业结束后，务必先关闭工具开关，然后再拔下工具插头。

## 使用空心钻头钻孔（图 1）

1. 插入相应的空心钻头。
2. 将中心钻组装到空心钻头中。
3. 将模式选择器开关 (f) 旋转到锤钻位置。
4. 仅适用于 D25601: 将电子变速器和冲击控制旋钮 (g) 旋转到中高级转速设置。
5. 安装和调整侧手柄 (c)。
6. 将中心钻对准钻孔位置并启动工具。进行钻孔操作，直到钻头穿透混凝土大约 1 厘米。
7. 停止工具然后取下中心钻。将空心钻头放回孔中继续钻孔。
8. 当要钻孔的材料厚度大于空心钻头的深度时，可定期清理钻头内的圆柱体混凝土或材料。要避免意外碎裂孔周围的混凝土，可先在材料上钻一个中心钻直径大小的孔，孔要完全穿透材料。然后使用空心钻头从两边往中心钻孔。
9. 作业结束后，务必先关闭工具，然后再拔下工具插头。

## 切削和凿切（图 1）

D25501, D25601

1. 插入相应的凿子然后手动旋转直到凿子锁定到 18 个位置的其中一个。
2. 将模式选择器开关 (f) 旋转到锤击位置。
3. 仅适用于 D25601: 设置电子变速器和冲击控制旋钮 (g)。
4. 安装和调整侧手柄 (c)。



5. 启动工具然后开始作业。
6. 作业结束后，务必先关闭工具，然后再拔下工具插头。

## 维护

您的得伟电动工具设计精良，可以长期使用，仅需极少维护。要连续获得令人满意的工作效果，需要进行合适的工具维护和定期清洁。



**警告：**为降低人身伤害的风险，在拆、装配件或调整、修理工具之前，请关闭工具并拔下工具插头。请确保触发开关处于 OFF（关闭）位置。意外启动可能会导致人身伤害。

本工具不允许用户自行维修。在使用大约 150 小时后，请将工具交由得伟授权维修代理进行检修。如果在此之前工具发生任何问题，请联系得伟授权维修代理。

## 电刷（图 3）

碳刷不可由用户自行维修。请将工具送交得伟授权维修代理。

黄色电刷磨损 LED (r) 指示灯会在碳刷接近损坏时亮起。之后再使用 8 小时或在电刷完全磨损后，电机会自动关闭。

维修指示灯 (s) 亮起后，必须尽快对工具进行维护。



## 润滑

本电动工具无需另行润滑。



## 清洁



**警告：**一旦看到通风口及其周围积聚了尘屑，请用干燥的空气将灰尘和尘屑从主机外壳内吹出。执行此过程时，需戴上经认可的护目装备和防尘面具。



**警告：**切勿使用溶剂或其他刺激性化学制品来清洁工具的非金属部件。这些化学物质可能会削弱这些部位使用的材料。请用布蘸温和的肥皂水擦拭。切勿让任何液体渗入工具，切勿让工具的任何部件浸在液体中。

## 可选配件



**警告：**除了得伟提供的附件之外，其他附件都未经此产品兼容性测试，若将此类附件与本工具一起使用将存在安全隐患。为降低人身伤害风险，本产品只可使用得伟推荐的附件。

有各种不同类型的 SDS Max® 钻头和凿子可供选购。请向您的经销商咨询更多关于合适配件的信息。

## 保护环境



分类回收。本产品不得与普通家庭垃圾一起处理。

如果您发现您的得伟产品需要更换或您已经不再需要使用这些产品，请不要将它们与家庭垃圾一起处理。请将它们单独分类回收。



分类回收使用过的产品和包装能够让材料得以再循环和再利用。再生材料的再利用有助于防止环境污染，并降低对原材料的需求。

当地法规可能要求由市政废物处理点或向您出售新产品的零售商提供将家庭废物与电气产品分开收集的服务。

得伟提供设施收集和再利用以处理寿命到期的得伟产品。若要享受这项服务，请将产品送回任一授权维修代理处，他们将代表我们回收您的产品。

请根据本手册所提供的地址与当地得伟办事处联系，查询离您最近的授权维修代理的位置。您可以通过网站获取得伟授权维修代理名单以及我们售后服务与联络人的完整详情，网址为：

[www.2helpU.com](http://www.2helpU.com).

# ส่วนเจาะกระแทกและเจาะสกัด SDS MAX D25501, D25601

## ขอแสดงความยินดี!

คุณได้เลือกใช้เครื่องมือของ DEWALT ด้วยประสบการณ์หลายปีที่ผ่านมาในการพัฒนาผลิตภัณฑ์และนวัตกรรมใหม่ๆ ทำให้ DEWALT เป็นหนึ่งในเครื่องมือไฟฟ้าที่นำเชื่อถือที่สุดสำหรับผู้ใช้เครื่องมือไฟฟ้าระดับมืออาชีพ

## ข้อมูลทางเทคนิค

		D25501	D25601
แรงดันไฟฟ้า (B1)	โวลต์	220-240	220-240
กำลังไฟเข้า	วัตต์	1100	1250
แรงกระแทก	จูล	11	1.5-13
ระยะการเจาะเข้าคอนกรีต:			
ดอกสว่าน	มม.	12-40	12-45
ดอกคอรู้ง	มม.	40-90	40-100
ระยะการเจาะเข้าคอนกรีตที่เหมาะสมที่สุด:			
ดอกสว่าน	มม.	18-26	25-35
ตำแหน่งดอกสกัด		18	18
หัวจับดอก		SDS Max®	SDS Max®
น้ำหนัก	กก.	6.15	6.8

## คำจำกัดความ: ข้อแนะนำ

### ด้านความปลอดภัย

คำจำกัดความด้านล่างอธิบายถึงระดับความรุนแรงของ ความอันตรายที่ใช้เรียกสัญลักษณ์ต่างๆ โปรดอ่านคู่มือ และใส่ใจกับสัญลักษณ์เหล่านี้



**อันตราย:** หมายถึงสถานการณ์ที่ก่อให้เกิดอันตรายได้อย่างฉับพลัน ซึ่งหากไม่ระวัง จะทำให้เสียชีวิตหรือได้รับบาดเจ็บสาหัสได้



**คำเตือน:** หมายถึงสถานการณ์ที่มีแนวโน้มว่าจะก่อให้เกิดอันตราย ซึ่งหากไม่ระวัง สามารถทำให้เกิดอันตรายถึงชีวิตหรือบาดเจ็บสาหัสได้



**ข้อควรระวัง:** หมายถึงสถานการณ์ที่มีแนวโน้มว่าจะก่อให้เกิดอันตราย ซึ่งถ้าไม่ระวังอาจทำให้ได้รับบาดเจ็บเล็กน้อยหรือปานกลาง

**ข้อสังเกต:** หมายถึงการปฏิบัติที่ไม่เกี่ยวข้องกับการบาดเจ็บส่วนบุคคล ซึ่งหากไม่ระวัง อาจทำให้ทรัพย์สินเสียหายได้



แสดงถึงความเสี่ยงจากการถูกไฟฟ้าช็อต



แสดงถึงอันตรายจากการเกิดเพลิงไหม้



คำเตือน: เพื่อลดความเสี่ยงจากการบาดเจ็บ โปรดอ่านคู่มือการใช้งานเล่มนี้

## คำเตือนเพื่อความปลอดภัยทั่วไป สำหรับการใช้เครื่องมือไฟฟ้า



คำเตือน! โปรดอ่านคำเตือนและข้อปฏิบัติเพื่อความปลอดภัยทั้งหมด การไม่ปฏิบัติตามคำเตือนและข้อปฏิบัติเหล่านี้อาจทำให้เกิดไฟฟ้าช็อต เกิดอัคคีภัย และ/หรือบาดเจ็บสาหัสได้

## จัดเก็บเอกสารคำเตือนและคำแนะนำทั้งหมดไว้เพื่อการอ้างอิงในภายหลัง

คำว่า “เครื่องมือไฟฟ้า” ในคำเตือน หมายถึง เครื่องมือไฟฟ้า (แบบมีสาย) ที่ทำงานผ่านแหล่งจ่ายไฟหลัก หรือเครื่องมือไฟฟ้า (แบบไร้สาย) ที่ทำงานผ่านแบตเตอรี่

### 1) ความปลอดภัยในบริเวณที่ทำงาน

- รักษาความสะอาดและจัดให้มีแสงสว่างเพียงพอในบริเวณที่ทำงาน บริเวณที่มีดหรือมีของวางระเกะระกะอาจทำให้เกิดอุบัติเหตุได้
- ห้ามใช้เครื่องมือไฟฟ้าในบริเวณที่อาจเกิดการระเบิด เช่น เมื่อมีของเหลว แก๊ส หรือฝุ่นละอองที่ไวไฟ เครื่องมือไฟฟ้าจะทำให้เกิดประกายไฟที่อาจทำให้เกิดละอองไฟหรือเปลวไฟขึ้นได้
- ระวังไม่ให้เด็กเล็กและคนเดินผ่านไปมาเข้าใกล้ในขณะที่ใช้งานเครื่องมือไฟฟ้า สิ่งรบกวนอาจทำให้คุณเสียสมาธิได้

### 2) ความปลอดภัยเกี่ยวกับไฟฟ้า

- ปลั๊กไฟของเครื่องต้องเป็นชนิดเดียวกับเต้ารับ ห้ามตัดแปลงปลั๊กไม่ว่าด้วยวิธีใด ห้ามใช้ปลั๊กอะแดปเตอร์ใดๆ กับเครื่องมือไฟฟ้าที่ต่อสายดิน (ลงกราวด์) ปลั๊กที่ไม่มี การตัดแปลงและเต้ารับชนิดเดียวกันจะช่วยลดความเสี่ยงจากการเกิดไฟฟ้าช็อต

- b) หลีกเลี่ยงการสัมผัสพื้นผิวที่ต่อสายดินหรือลงกราวด์ เช่น ท่อ หม้อน้ำ เตาหุงต้ม และตู้เย็น มีความเสี่ยงเพิ่มขึ้นที่จะเกิดไฟฟ้าช็อต หากร่างกายเป็นสื่อเชื่อมต่อลงดินหรือลงกราวด์
- c) อย่าให้เครื่องมือไฟฟ้าถูกฝนหรืออยู่ในสภาพที่เปียกชื้น น้ำที่เข้าเครื่องมือไฟฟ้าจะเพิ่มความเสี่ยงในการเกิดไฟฟ้าช็อต
- d) ห้ามใช้สายไฟผิดวัตถุประสงค์ ห้ามใช้สายไฟเพื่อการหิ้ว ดึง หรือถอดปลั๊กเครื่องมือไฟฟ้า เก็บสายไฟให้พ้นจากความร้อน น้ำมัน ของมีคม หรือชิ้นส่วนที่กำลังเคลื่อนที่ สายไฟที่ชำรุดหรือพันกันเป็นการเพิ่มความเสี่ยงจากการถูกไฟฟ้าช็อต
- e) เมื่อใช้เครื่องมือไฟฟ้านอกอาคาร ให้ใช้สายต่อพ่วงที่เหมาะสมสำหรับการใช้งานนอกอาคาร ใช้สายไฟที่เหมาะสมสำหรับใช้ นอกอาคารจะช่วยลดความเสี่ยงต่อการเกิดไฟฟ้าช็อต
- f) หากไม่สามารถหลีกเลี่ยงการใช้เครื่องมือไฟฟ้าในบริเวณที่ชื้นและได้ ให้ใช้อุปกรณ์ป้องกันไฟดูด (RCD) ที่จัดไว้ให้ การใช้ RCD จะเป็นการลดความเสี่ยงจากการถูกไฟฟ้าช็อต

### 3) ความปลอดภัยส่วนบุคคล

- a) ดื่นตัวและมีสมาธิกับสิ่งที่คุณกำลังทำ รวมทั้งใช้สามัญสำนึกในขณะที่กำลังใช้งานเครื่องมือไฟฟ้า ห้ามใช้เครื่องมือไฟฟ้าในขณะที่คุณกำลังเหนื่อยหรือได้รับอิทธิพลจากยา แอลกอฮอล์ หรือการรับประทานยาอย่าง การขาดความระมัดระวังในการใช้เครื่องมือไฟฟ้าแม้ชั่วขณะหนึ่งอาจทำให้บาดเจ็บสาหัสได้
- b) ใช้อุปกรณ์คุ้มครองความปลอดภัยส่วนบุคคล สวมอุปกรณ์ป้องกันดวงตาเสมอ อุปกรณ์ป้องกัน เช่น หน้ากากกันฝุ่น รองเท้านิรภัยกันลื่น หมวกนิรภัย หรืออุปกรณ์ป้องกันเสียงดังที่ใช้ในสภาวะที่เหมาะสมจะช่วยลดอาการบาดเจ็บทางร่างกาย
- c) ปกป้องเครื่องเปิดทำงานโดยไม่ตั้งใจ สวิตช์ต้องอยู่ในตำแหน่งปิดก่อนที่จะเสียบปลั๊กของเครื่องเข้ากับแหล่งจ่ายไฟ และ/หรือแบตเตอรี่ หรือก่อนยกหรือหิ้วเครื่องมือ การยกเครื่องมือไฟฟ้าในขณะที่นิ้วอยู่ที่สวิตช์ หรือใช้เครื่องมือไฟฟ้าที่สวิตช์เปิดอยู่ อาจทำให้เกิดอุบัติเหตุได้
- d) ถอดกุญแจปรับแต่งหรือประแจออกก่อนเปิดสวิตช์เครื่องมือไฟฟ้า ประแจหรือกุญแจที่เสียบค้างอยู่ในชิ้นส่วนที่หมุนได้ของเครื่องมือไฟฟ้าอาจทำให้ได้รับบาดเจ็บได้

### 4) การใช้และการดูแลรักษาเครื่องมือไฟฟ้า

- a) ห้ามฝืนใช้เครื่องมือไฟฟ้า เลือกใช้เครื่องมือไฟฟ้าที่ถูกต้องตรงกับลักษณะการใช้งานของคุณ เครื่องมือไฟฟ้าที่ถูกต้องย่อมทำงานได้ดีกว่าและปลอดภัยกว่าเมื่อใช้งานตามพิกัดที่เครื่องมือได้รับการออกแบบมา
- b) ห้ามใช้เครื่องมือไฟฟ้าถ้าสวิตช์เปิดปิดเครื่องไม่ทำงาน เครื่องมือไฟฟ้าที่ไม่สามารถควบคุมผ่านสวิตช์ได้ ถือว่ามีอันตรายและต้องส่งซ่อม
- c) ถอดปลั๊กของเครื่องมือไฟฟ้าออกจากแหล่งจ่ายไฟ และ/หรือถอด แบตเตอรี่ออกจากเครื่องมือไฟฟ้าก่อนทำการปรับแต่ง เปลี่ยนอุปกรณ์เสริม หรือจัดเก็บเครื่องมือไฟฟ้า มาตรการเพื่อความปลอดภัยเชิงป้องกันนี้จะช่วยลดความเสี่ยงในการเปิดเครื่องให้ทำงานโดยไม่ตั้งใจ
- d) เก็บเครื่องมือไฟฟ้าที่ไม่ได้ใช้งานไว้ในหีบห่อ และไมอนุญาตให้บุคคลที่ไม่คุ้นเคยกับเครื่องมือไฟฟ้าหรือข้อปฏิบัติเหล่านี้เป็นผู้ใช้เครื่องมือ เครื่องมือไฟฟ้าจะเป็นอันตรายหากอยู่ในมือผู้ใช้ที่ไม่มีประสบการณ์
- e) บำรุงรักษาเครื่องมือไฟฟ้า ตรวจสอบว่าชิ้นส่วนที่เคลื่อนที่ได้มีการวางไม่ตรงแนวหรือติดขัดหรือไม่ มีชิ้นส่วนที่แตกหัก และสภาพอื่นใดที่อาจส่งผลกระทบต่อการทำงานของเครื่องมือไฟฟ้าหรือไม่ หากชำรุดเสียหายให้นำเครื่องมือไปส่งซ่อมก่อนนำมาใช้ อุบัติเหตุจำนวนมากเกิดจากการดูแลรักษาเครื่องมือไฟฟ้าไม่เพียงพอ
- f) เครื่องมือตัดตัดคมและสะอาดอยู่เสมอ เครื่องมือตัดที่ได้รับการดูแลรักษาอย่างถูกต้องและมีขอบตัดคม จะมีปัญหาติดขัดน้อย และควบคุมได้ง่ายกว่า

- g) ใช้เครื่องมือไฟฟ้า อุปกรณ์เสริม และ ดอกสว่านของเครื่องมือ เป็นต้น ให้ตรงตามข้อปฏิบัติเหล่านี้ โดยพิจารณาถึงสภาพการทำงานและงานที่ทำเป็นสำคัญ การใช้เครื่องมือไฟฟ้าทำงานอื่นนอกเหนือจากที่กำหนดไว้อาจทำให้เกิดอันตรายได้

### 5) การบริการ

- a) ให้ช่างซ่อมที่มีความเชี่ยวชาญเป็นผู้ซ่อมเครื่องมือไฟฟ้า และใช้อะไหล่ของแท้เท่านั้น ซึ่งจะช่วยให้มั่นใจได้ว่าเครื่องมือไฟฟ้ายังมีความปลอดภัยอยู่

## คำแนะนำความปลอดภัยเพิ่มเติมสำหรับสว่านโรตารี

- สามอุปกรณ์ป้องกันเสียงดัง การเผชิญกับเสียงดังมาก อาจทำให้สูญเสียความสามารถในการได้ยิน
- ใช้มือจับเสริม หากมีให้มาพร้อมกับเครื่อง การสูญเสียการควบคุมเครื่องอาจทำให้ได้รับบาดเจ็บได้
- จับเครื่องมือไฟฟ้าที่พื้นผิวส่วนที่ใช้จับซึ่งมีฉนวนป้องกัน เมื่อใช้งานเครื่องและอุปกรณ์เสริมที่ใช้กับงานตัดอาจสัมผัสกับสายไฟที่ซ่อนอยู่หรือสายไฟของตัวเครื่องเอง อุปกรณ์เสริมสำหรับงานตัดที่สัมผัสถูกสายไฟ "ที่มีไฟฟ้า" อาจทำให้ส่วนที่เป็นโลหะของเครื่องที่ถูกสัมผัส "มีไฟฟ้า" และทำให้ผู้ใช้เครื่องถูกไฟฟ้าช็อตได้

## ความเสี่ยงอื่นๆ ที่ยังมีอยู่

การใช้งานสว่านเจาะกระแทกโรตารีและเครื่องสกัดอาจเป็นสาเหตุของความเสี่ยงดังต่อไปนี้:

- การบาดเจ็บจากการสัมผัสชิ้นส่วนของเครื่องมือที่กำลังหมุนหรือชิ้นส่วนที่มีความร้อน

แม้จะปฏิบัติตามข้อกำหนดด้านความปลอดภัยที่เกี่ยวข้อง และใช้อุปกรณ์นิรภัยแล้วก็ตาม แต่ก็ไม่สามารถหลีกเลี่ยงความเสี่ยงบางอย่างได้ ความเสี่ยงเหล่านี้ได้แก่:

- ความบกพร่องในการได้ยินเสียง
- ความเสี่ยงของการหนีบถูกนิ้วในขณะที่เปลี่ยนอุปกรณ์เสริม
- อันตรายต่อสุขภาพซึ่งมีสาเหตุจากการสูดหายใจเอาฝุ่นที่เกิดจากการทำงานกับคอนกรีต และ/หรือ ปูน

## สัญลักษณ์บนเครื่องมือ

รูปภาพต่อไปนี้จะปรากฏบนเครื่องมือ:



อ่านคู่มือการใช้งานก่อนใช้เครื่อง



ไฟ LED แสดงความผิดปกติสีแดง สำหรับรายละเอียดเพิ่มเติม โปรดดูหัวข้อ **ไฟ LED แสดงความผิดปกติ**



ไฟ LED แสดงความผิดปกติสีเหลือง สำหรับรายละเอียดเพิ่มเติม โปรดดูหัวข้อ **ไฟ LED แสดงความผิดปกติ**

## ตำแหน่งของรหัสรุ่นที่ (รูป 1)

รหัสรุ่นที่ (w) ซึ่งรวมถึงปีที่ผลิต จะพิมพ์อยู่บนตัวเครื่อง ตัวอย่างเช่น:

2010 XX XX  
ปีที่ผลิต

## สิ่งที่อยู่ในบรรจุภัณฑ์

ภายในบรรจุภัณฑ์ประกอบด้วย:

- สว่านเจาะกระแทกและเจาะสกัด SDS MAX 1 เครื่องมือจับเสริมด้านข้าง 1 ชิ้น
- กล่องเครื่องมือ 1 กล่อง (รุ่น K เท่านั้น)
- คู่มือการใช้งาน 1 เล่ม
- โปรดตรวจหาร่องรอยความเสียหายของเครื่องมือชิ้นส่วน หรืออุปกรณ์เสริม ที่อาจเกิดขึ้นในระหว่างการขนส่ง
- โปรดอ่านและทำความเข้าใจคู่มือเล่มนี้อย่างละเอียดก่อนการใช้งาน

## คำอธิบาย (รูป 1a, 1b, 2a-c)



คำเตือน: ห้ามดัดแปลงเครื่องมือไฟฟ้า หรือส่วนประกอบต่างๆ เพราะอาจทำให้เครื่องมือชำรุดหรือผู้ใช้ได้รับบาดเจ็บได้

- a. สวิตช์
- c. มือจับเสริมด้านข้าง
- d. ด้ามจับตัวหลัก
- e. ตัวควบคุมแรงสั่นสะเทือนแบบแอ็คทีฟ (D25601)
- f. สวิตช์เลือกโหมด
- g. ปุ่มเลื่อนควบคุมความเร็วและแรงกระแทกแบบอิเล็กทรอนิกส์ (D25601)
- h. วงแหวนสำหรับยึด
- i. ตำแหน่งมือจับเสริมด้านหลัง
- j. ตัวยึดมือจับเสริมด้านข้าง
- k. แหวนเหล็ก
- l. บุช
- m. หัวจับดอก
- n. ปุ่มปลดล็อกคานาปรับระยะการเจาะ
- o. ก้านปรับระยะการเจาะ
- p. ปลอกล๊อค
- q. สลัก
- x. ปลอกสว่าน

## วัตถุประสงค์ในการใช้งาน

### D25501, D25601

สว่านเจาะกระแทกและเจาะสกัดของคุณได้รับการออกแบบมาเพื่อการใช้งานเจาะและงานสกัดอย่างมืออาชีพ

**ห้าม** ใช้งานหากอยู่ในบริเวณที่เปียกชื้น หรือมีของเหลว ไวกไฟหรือแก๊สอยู่ในบริเวณดังกล่าว

สว่านไฟฟ้าเหล่านี้เป็นเครื่องมือไฟฟ้าสำหรับมืออาชีพ

**ห้าม** ปลอมให้เด็กสัมผัสกับเครื่องมือ ผู้ใช้ที่ไม่มีประสบการณ์มาก่อนต้องได้รับการดูแลในขณะที่ใช้เครื่องมือนี้

## คุณสมบัติขอพท์สตาร์ท

### D25601

คุณสมบัติขอพท์สตาร์ท ทำให้อัตรากระแทกเกิดขึ้นช้าลง ดังนั้นจึงป้องกันดอกสว่านเลื่อนออกจากตำแหน่งที่ต้องการเจาะเมื่อเริ่มเดินเครื่อง นอกจากนี้ คุณสมบัติขอพท์สตาร์ทยังช่วยลดปฏิกิริยาตอบสนองต่อแรงบิดระดับกลางที่ถูกส่งผ่านไปยังเพื่องเกียร์และผู้ปฏิบัติงาน หากสว่านเจาะกระแทกเริ่มเดินเครื่องโดยที่ดอกสว่านอยู่ในรูเดิม

## ตัวควบคุมความเร็วและแรงกระแทกแบบอิเล็กทรอนิกส์ (รูป 1, 3)

### D25601

ตัวควบคุมความเร็วและแรงกระแทกแบบอิเล็กทรอนิกส์ (g) มีข้อดีดังต่อไปนี้

- สามารถใช้อุปกรณ์เสริมขนาดเล็กลงได้โดยไม่เสียต่อการแตกหัก
- ลดการแตกหักเมื่อสกัดหรือเจาะวัสดุที่อ่อนหรือแตกง่าย
- สามารถควบคุมเครื่องมือได้ดีเยี่ยมเพื่อการสกัดที่แม่นยำ

## คลังข้อความแรงบิด

คลังข้อความแรงบิดจะทำหน้าที่ลดปฏิกิริยาตอบสนองสูงสุดต่อแรงบิดที่ถูกส่งผ่านไปยังผู้ปฏิบัติงานในกรณีที่ดอกสว่านติดขัด คุณสมบัตินี้ยังช่วยป้องกันเกียร์และมอเตอร์ไฟฟ้าค้างอีกด้วย คลังข้อความแรงขึ้นได้รับการปรับตั้งจากโรงงานและไม่สามารถปรับเปลี่ยนได้

## ไฟ LED แสดงความผิดปกติ (รูป 3)

### D25601

ไฟ LED สีเหลืองแสดงการสึกหรอของแปรงถ่าน (s) จะติดสว่างเมื่อแปรงถ่านใกล้จะขาด ซึ่งหมายความว่าต้องนำเครื่องมือเข้ารับการภายในช่วง 8 ชั่วโมงของการใช้งานต่อไป

### D25601

ไฟ LED สีแดงเริ่มกระพริบหากมีความผิดปกติเกี่ยวกับเครื่องมือหรือแปรงถ่านชำรุดสึกหรอเกือบทั้งหมด (โปรดดู แปรงถ่าน ในหัวข้อการบำรุงรักษา)

## ด้ามจับตัวหลักที่ขยับแรง สั่นสะเทือนได้เต็มที่ (รูป 1)

### D25601

ตัวขยับแรงสั่นสะเทือนที่มีข้อเสริมด้านข้าง (c) จะช่วยดูดซับแรงสั่นสะเทือนที่ถูกส่งผ่านไปยังผู้ใช้งาน ซึ่งช่วยให้ผู้ใช้รู้สึกสบายยิ่งขึ้นในระหว่างปฏิบัติงาน

## ความปลอดภัยทางไฟฟ้า

มอเตอร์ไฟฟ้าออกแบบมาเพื่อใช้กับแรงดันไฟฟ้าขนาดเดียวกันนั้น ต้องตรวจสอบกำลังไฟเพื่อให้ตรงกับแรงดันไฟฟ้าบนแผ่นแสดงพิกัดเสมอ



เครื่องมือ DEWALT ใช้ระบบฉนวนสองชั้น ที่ตรงตามมาตรฐาน IEC 60745 จึงไม่จำเป็นต้องใช้สายดิน

ถ้าสายไฟของตัวเครื่องชำรุดเสียหาย ต้องเปลี่ยนเป็นสายไฟที่จัดเตรียมมาเป็นพิเศษซึ่งสั่งซื้อได้ที่ศูนย์บริการของ DEWALT

## การใช้สายพ่วง

ไม่ควรใช้สายต่อพ่วง เว้นแต่มีความจำเป็นอย่างหลีกเลี่ยงไม่ได้ ใช้สายต่อพ่วงที่ผ่านการรับรองและเหมาะสมสำหรับกำลังไฟเข้าของเครื่องมือนี้ (ดูข้อมูลด้านเทคนิค) ขนาดล่าสุดของสายไฟ คือ 1 ดร.มม. ความยาวสูงสุด คือ 30 ม.

เมื่อมีการใช้อุปกรณ์เม้วนเก็บสายไฟ ให้คลายสายไฟออกจนหมดทุกครั้ง

## การประกอบและการปรับแต่ง



**คำเตือน:** เพื่อลดความเสี่ยงจากการบาดเจ็บ ให้ปิดเครื่องมือและถอดปลั๊กเครื่องมือออกจากแหล่งจ่ายไฟก่อนการประกอบ และถอดอุปกรณ์เสริมก่อนการปรับแต่งหรือเปลี่ยนชุดติดตั้งหรือขณะทำการซ่อมแซม ตรวจสอบให้แน่ใจว่าสวิตช์อยู่ในตำแหน่งปิด (OFF) การปล่อยเปิดเครื่องโดยไม่ตั้งใจอาจเป็นสาเหตุให้เกิดการบาดเจ็บได้



**คำเตือน:** ดอกสว่าน/ดอกสกัดอาจยังร้อนอยู่ ดังนั้นควรสวมถุงมือในขณะที่เปลี่ยนหรือถอด ประกอบอุปกรณ์เหล่านี้ ทั้งนี้เพื่อป้องกันไม่ให้เกิดการบาดเจ็บ

## การประกอบและการติดตั้งมือจับเสริมด้านข้าง

มือจับเสริมด้านข้าง (c) สามารถติดตั้งที่ด้านหน้าหรือด้านหลัง ด้านซ้ายหรือด้านขวาของเครื่องมือก็ได้ เพื่อให้เหมาะสมกับผู้ใช้ทั้งที่ถนัดมือซ้ายและมือขวา



**คำเตือน:** ใช้งานเครื่องมือโดยมีมือจับเสริมด้านข้างติดตั้งอย่างถูกต้องเสมอ

### D25501, D25601

#### การติดตั้งในตำแหน่งข้างหน้า

- ใส่แหวนหลัก (k) ลงบนปลอกสว่าน (x) ด้านหลังหัวจับดอกสว่าน (m) บีบปลายทั้งสองด้านของแหวนหลักเข้าหากัน ใส่บุช (l) และสลัก (q)
- ใส่ตัวยึดมือจับเสริมด้านข้าง (j) แล้วขันเกลียววงแหวนสำหรับยึด (h) โดยยังไม่ต้องขันให้แน่น



**คำเตือน:** เมื่อประกอบอุปกรณ์ต่างๆ แล้ว ไม่ควรถอดตัวยึดมือจับเสริมด้านข้างออกอีก

- ขันเกลียวมือจับเสริมด้านข้าง (c) เข้าในบุช (l) จากนั้นขันเข้าในวงแหวนยึด โดยขันให้แน่น
- หมุนมือจับเสริมด้านข้างเข้าไปยังตำแหน่งที่ต้องการ หากต้องการใช้ดอกสว่านสำหรับงานหนักในการเจาะแนวระนาบ ขอแนะนำให้ติดตั้งมือจับเสริมด้านข้างที่ 20 องศาโดยประมาณ เพราะจะเป็นตำแหน่งที่ควบคุมได้ดีที่สุด
- ล็อคชุดติดตั้งมือจับเสริมด้านข้างเข้าในตำแหน่ง โดยการขันวงแหวนสำหรับยึด (h)

#### การติดตั้งในตำแหน่งข้างหลัง

การติดตั้งในตำแหน่งข้างหลังจะมีประโยชน์มากเป็นพิเศษเมื่อทำงานเจาะกระแทกพื้น

- ขันมือจับเสริมด้านข้างออก (c) แล้วย้ายออกมาจากตำแหน่งข้างหน้า นำมือจับเสริมด้านข้างที่ติดตั้งในตำแหน่งด้านหน้าออกมา
- ขันเกลียวมือจับเสริมเข้าไปโดยตรงในหนึ่งในตำแหน่งมือจับเสริมด้านหลัง (i) ข้างใดของเครื่องมือก็ได้

## การใส่และการถอดประกอบอุปกรณ์เสริม SDS Max™ (ภาพ 1, 4A, 4B)

เครื่องมือนี้ใช้ดอกสว่านและดอกสกัด SDS Max® (โปรดดู กรอบเล็กในภาพ 4B ซึ่งแสดงภาพตัดขวางของก้านดอกสว่าน SDS Max®)

- ทำความสะอาดก้านดอกสว่าน
- ดึงปลอกล๊อค (p) กลับ แล้วสอดก้านดอกสว่าน
- หมุนดอกสว่านเล็กน้อยจนกระทั่งปลอกล๊อคเข้าในตำแหน่ง
- ลองดึงดอกสว่านออกเพื่อตรวจสอบว่าดอกสว่าน ล็อคอยู่ในตำแหน่งถูกต้องแล้ว สำหรับคุณสมบัติการกระแทก ดอกสว่านจะต้องเคลื่อนตามแนวแกนได้หลายเซนติเมตรเมื่อล็อคอยู่ในหัวจับดอกสว่าน
- การถอดประกอบดอกสว่าน ให้ดึงปลอกล๊อคตัวจับดอกสว่าน/ปลอกล๊อค (p) กลับ แล้วดึงดอกสว่านออกจากหัวจับดอกสว่าน

## การเลือกโหมดการทำงาน (รูป 1)

### T การเจาะกระแทก:

D25501, D25601

สำหรับการเจาะคอนกรีต อิฐ ก้อนหิน และปูน



### เฉพาะการเจาะกระแทกเท่านั้น:

D25501, D25601 สำหรับการถากและ

การสกัดเจาะทำลาย ในโหมดนี้ สามารถ

ใช้เครื่องมือเป็นตัวจับดอกสว่านที่ติดตั้งขุดออกได้อีกด้วย

- การเลือกโหมดการทำงาน ให้หมุนสวิตช์ปรับโหมด (f) จนกระทั่งเครื่องหมายอยู่ตรงกับสัญลักษณ์ของโหมดที่ต้องการ อาจจำเป็นต้องบิดหัวจับดอกสว่าน (m) เล็กน้อย เพื่อให้สวิตช์ปรับโหมด (f) สามารถผ่านตำแหน่ง **O** ไปได้
- ตรวจสอบว่าสวิตช์ปรับโหมด (f) ล็อคอยู่ในตำแหน่งดีแล้ว

## การกำหนดตำแหน่งของดอกสกัด (รูป 5)

### D25501, D25601

ดอกสกัดสามารถกำหนดและล็อคตำแหน่งได้ถึง 18 ตำแหน่ง

1. หมุนสวิตช์ปรับโหมด (f) จนกระทั่งเครื่องหมายอยู่ตรงกับตำแหน่ง **O**
2. หมุนดอกสกัดในตำแหน่งที่ต้องการ
3. ตั้งสวิตช์ปรับโหมด (f) ไปที่ตำแหน่ง "การเจาะสกัดเท่านั้น"
4. บิดดอกสกัดจนกระทั่งดอกสกัดเข้าล็อคในตำแหน่ง

## การปรับตั้งปุ่มเลื่อนควบคุมความเร็วและแรงกระแทกแบบอิเล็กทรอนิกส์ (รูป 1, 3)

### D25601

หมุนปุ่มเลื่อน (g) ไปยังระดับที่ต้องการ หมุนปุ่มเลื่อนขึ้น หากต้องการความเร็วเพิ่มขึ้น และหมุนปุ่มเลื่อนลง หากต้องการให้ความเร็วลดลง การปรับตั้งค่าที่จำเป็นต้องอาศัยประสบการณ์เป็นสิ่งสำคัญ ตัวอย่างเช่น:

- เมื่อสกัดหรือเจาะวัสดุที่อ่อนหรือแตกหักง่าย หรือเมื่อต้องการให้มีการแตกหักน้อยที่สุด ให้ปรับตั้งปุ่มเลื่อนไปที่ค่าต่ำ
- เมื่อเจาะวัสดุที่แข็งมากขึ้น ให้ปรับตั้งปุ่มเลื่อนไปที่ค่าสูง

## วิธีการใช้งานเครื่อง



**คำเตือน:** ทำตามคำแนะนำด้านความปลอดภัยและข้อกำหนดที่บังคับใช้เสมอ



**คำเตือน:** เพื่อลดความเสี่ยงจากการได้รับบาดเจ็บรุนแรง ต้องปิดเครื่องมือและถอดปลั๊กออกจากแหล่งจ่ายไฟก่อนทำการปรับตั้ง หรือทำการถอด/ติดตั้งอุปกรณ์ยึดติดหรืออุปกรณ์เสริมใดๆ ทุกครั้ง



**คำเตือน:** ดอกสว่าน/ดอกสกัดอาจยังร้อนอยู่ ดังนั้นควรสวมถุงมือในขณะที่เปลี่ยนหรือถอด ประกอบอุปกรณ์เหล่านั้น ทั้งนี้เพื่อป้องกันไม่ให้เกิดการบาดเจ็บ



### คำเตือน:

- ระวังตำแหน่งของระบบท่อน้ำและสายไฟ
- ออกแรงกดไปยังเครื่องมือเพียงเบาๆ (ประมาณ 20 กก.) การออกแรงกดมากเกินไป ไม่ได้ช่วยให้สามารถเจาะได้เร็วขึ้น แต่ยังเป็นการลดประสิทธิภาพของเครื่องมือ และทำให้เครื่องมืออายุการใช้งานสั้นลงอีกด้วย
- จับเครื่องมือด้วยมือทั้งสองข้างให้แน่น และอยู่ในท่ายืนที่มั่นคง ใช้งานเครื่องมือโดยมีมือจับเสริมด้านข้างติดตั้งอยู่ถูกต้องเสมอ

**หมายเหตุ:** อุณหภูมิในการทำงานของเครื่องมือรุ่น D25501 คือ -7 ถึง +40 °C (19° ถึง 104 °F) หากใช้เครื่องมือภายใต้อุณหภูมิที่นอกเหนือจากนี้ จะเป็นสาเหตุทำให้อายุการใช้งานของเครื่องมือสั้นลง

## ตำแหน่งของมือที่ถูกต้อง (รูป 6)



**คำเตือน:** เพื่อลดความเสี่ยงจากการได้รับบาดเจ็บสาหัส ให้จับเครื่องมือในตำแหน่งที่ถูกต้องดังแสดงในภาพเสมอ



**คำเตือน:** เพื่อลดความเสี่ยงจากการได้รับบาดเจ็บสาหัส จะต้องจับเครื่องมือให้แน่นทุกครั้ง เพื่อเตรียมพร้อมสำหรับแรงปฏิกิริยาที่เกิดขึ้นแบบทันทีทันใด

ตำแหน่งของการจับที่ถูกต้องคือ มือหนึ่งอยู่บนมือจับเสริมด้านข้าง (c) อีกมือหนึ่งอยู่บนมือจับหลัก (d)

## การเปิดและปิดเครื่อง (รูป 1)

### D25501, D25601

กดสวิตช์ (a) ลง เพื่อเปิดเครื่อง  
ปล่อยสวิตช์เพื่อปิดเครื่อง

### การเจาะกระแทก

กดสวิตช์เปิด/ปิด (a) เพื่อเปิดเครื่อง  
หากต้องการหยุดเครื่องมือ ให้ปล่อยสวิตช์

## การเจาะโดยใช้ดอกสว่านชนิดแข็ง (รูป 1)

### D25501, D25601

1. ใส่ดอกสว่านที่เหมาะสม
2. ตั้งสวิตช์ปรับโหมด (f) ไปที่ตำแหน่งการเจาะกระแทก
3. รุ่น D25601 เท่านั้น: ปรับตั้งปุ่มเลื่อนควบคุมความเร็วและแรงกระแทกแบบอิเล็กทรอนิกส์ (g)

4. ประกอบและปรับตั้งมี้อจับเสริมด้านข้าง (c)
5. ทำเครื่องหมายจุดที่ต้องการเจาะรู
6. แตะดอกสว่านลงบนจุดนั้น แล้วเปิดสวิตช์เครื่องมือ
7. ปิดสวิตช์เครื่องมือทุกครั้งเมื่อทำงานเสร็จแล้ว และก่อนดึงปลั๊กออก

## การเจาะโดยใช้ดอกคอรริง (รูป 1)

1. ใส่ดอกคอรริงที่เหมาะสม
2. ประกอบดอกสว่านนำศูนย์เข้ากับดอกคอรริง
3. ตั้งสวิตช์ปรับโหมด (f) ไปที่ตำแหน่งการเจาะ กระแทก
4. รุ่น D25601 เท่านั้น: หมุนปุ่มเลื่อนควบคุมความเร็ว และแรงกระแทกแบบอิเล็กทรอนิกส์ (g) ไปที่ ค่าความเร็วปานกลางหรือความเร็วสูง
5. ประกอบและปรับตั้งมี้อจับเสริมด้านข้าง (c)
6. แตะดอกสว่านนำศูนย์ลงบนจุดนั้น แล้วเปิดสวิตช์ เครื่องมือ เจาะเข้าไปจนกระทั่งดอกคอรริงทะลุ ผ่านเข้าไปในคอนกรีตประมาณ 1 ซม.
7. หยุดเครื่องมือและนำดอกสว่านนำศูนย์ออก ใส่ดอกคอรริงกลับเข้าไปในช่องเจาะ แล้วเริ่มเจาะ ต่อไป
8. เมื่อเจาะผ่านโครงสร้างที่หนักกว่าความลึกของ ดอกคอรริง ให้ถอนออกจากช่องทรงกระบอกใน คอนกรีตหรือแกนคว้านภายในดอกสว่านที่ช่วงซีก ปกติ เพื่อหลีกเลี่ยงไม่ให้เกิดกริดรอบๆ ช่องที่เจาะมี การแตกออก ก่อนอื่นให้ใช้ดอกสว่านนำศูนย์เจาะรู ตรงกลางจนทะลุผ่านโครงสร้าง จากนั้นเจาะแกน คว้านเพียงครึ่งหนึ่งเข้ามาจากแต่ละด้าน
9. ปิดสวิตช์เครื่องมือทุกครั้งเมื่อทำงานเสร็จแล้ว และ ก่อนดึงปลั๊กออก

## การสกัดและการถาก (รูป 1) D25501, D25601

1. ใส่หัวสกัดที่เหมาะสม แล้วหมุนหัวสกัดด้วยมือ เพื่อล็อกเข้าในตำแหน่งใดตำแหน่งหนึ่งใน 18 ตำแหน่ง
2. ตั้งสวิตช์ปรับโหมด (f) ไปที่ตำแหน่งการเจาะสกัด เท่านั้น
3. รุ่น D25601 เท่านั้น: ปรับตั้งปุ่มเลื่อนควบคุม ความเร็วและแรงกระแทกแบบอิเล็กทรอนิกส์ (g)
4. ประกอบและปรับตั้งมี้อจับเสริมด้านข้าง (c)
5. เปิดสวิตช์เครื่องมือและเริ่มทำงาน
6. ปิดสวิตช์เครื่องมือทุกครั้งเมื่อทำงานเสร็จแล้ว และก่อนดึงปลั๊กออก

## การบำรุงรักษา

เครื่องมือไฟฟ้า DEWALT ออกแบบมาเพื่อให้สามารถ ใช้งานได้อย่างยาวนานต่อเนื่องด้วยการบำรุงรักษาที่น้อย ที่สุด การทำงานที่สร้างความพึงพอใจอย่างต่อเนื่อง จะขึ้นอยู่กับ การดูแลรักษาที่เหมาะสมและการทำ ความสะอาดอย่างสม่ำเสมอ



**คำเตือน:** เพื่อลดความเสี่ยงจากการ บาดเจ็บ ให้ปิดเครื่องมือและถอดปลั๊ก เครื่องมือออกจากแหล่งจ่ายไฟก่อน การประกอบ และถอดอุปกรณ์เสริม ก่อนการปรับแต่งหรือเปลี่ยนชุดติดตั้ง หรือขณะทำการซ่อมแซม ตรวจสอบ ให้แน่ใจว่าสวิตช์อยู่ในตำแหน่งปิด (OFF) การเผลอเปิดเครื่องโดยไม่ได้ตั้งใจอาจเป็น สาเหตุให้เกิดการบาดเจ็บได้

เครื่องมือนี้ผู้ใช้ไม่สามารถซ่อมเองได้ โปรดนำเครื่องมือ ไปยังศูนย์บริการ DEWALT ที่ได้รับอนุญาต เมื่อใช้งาน เครื่องมือมาแล้วประมาณ 150 ชั่วโมง หากมีปัญหา เกิดขึ้นก่อนกำหนดดังกล่าว ให้ติดต่อศูนย์บริการ DEWALT ที่ได้รับอนุญาต

## แปรง (รูป 3)

แปรงถ่านชนิดนี้ผู้ใช้ไม่สามารถซ่อมเองได้ โปรดนำ เครื่องมือไปให้ศูนย์บริการ DEWALT ที่ได้รับอนุญาต ไฟ LED สีเหลืองแสดงการสึกหรอของแปรงถ่าน (r) จะติดสว่างเมื่อแปรงถ่านใกล้ชำรุดสึกหรอ หากใช้แปรง ถ่านไปอีก 8 ชั่วโมง หรือหากแปรงสึกหรอหมดแล้ว มอเตอร์จะปิดการทำงานโดยอัตโนมัติ เครื่องมือต้องได้รับการซ่อมบำรุงทันทีที่ไฟแสดง ความผิดปกติ (s) ติดสว่าง



## การหล่อลื่น

ไม่ต้องใช้สารหล่อลื่นเพิ่มเติมกับเครื่องมือไฟฟ้า



## การทำความสะอาด



**คำเตือน:** หมั่นเป่าสิ่งสกปรกและฝุ่นละออง ที่สะสมออกจากตัวเครื่องเป็นประจำด้วย ลมแห้ง เนื่องจากสิ่งสกปรกมีสะสมอยู่ ภายในและโดยรอบของระบายนอากาศ สวมอุปกรณ์ป้องกันดวงตาและหน้ากาก กันฝุ่นที่ได้มาตรฐานในขณะดำเนินการ ขั้นตอนนี้





**คำเตือน:** ห้ามใช้สารที่เป็นตัวทำละลายหรือสารเคมีที่มีฤทธิ์กัดกร่อนรุนแรงอื่นๆ ทำความสะอาดชิ้นส่วนของเครื่องมือที่ไม่ใช่โลหะ สารเคมีเหล่านี้อาจกัดกร่อนวัสดุที่ใช้ในชิ้นส่วนเหล่านี้ ใช้เฉพาะผ้าชุบน้ำสบู่อ่อนๆ เท่านั้น อย่าให้มีของเหลวเข้าไปภายในเครื่อง และห้ามไม่ให้ส่วนหนึ่งส่วนใดของเครื่องมือจุ่มลงในของเหลว

ตามกฎหมายระเบียบท้องถิ่นอาจมีการจัดเตรียมสถานที่สำหรับการเก็บรวบรวมแบบคัดแยกอุปกรณ์ไฟฟ้าที่ใช้ภายในครัวเรือนไว้ ณ แหล่งรับขยะของเทศบาล หรืออาจมีการรับอุปกรณ์ใช้แล้วจากผู้ค้าปลีกในกรณีที่คุณซื้อผลิตภัณฑ์ชิ้นใหม่

คุณสามารถตรวจสอบที่อยู่ของตัวแทนซ่อมที่ได้รับอนุญาตที่อยู่ใกล้คุณมากที่สุดได้โดยการติดต่อสำนักงานของ DEWALT ในพื้นที่ของคุณตามที่อยู่ที่ระบุในคู่มือนี้ หรือคุณอาจตรวจสอบรายชื่อศูนย์บริการ DEWALT ที่ได้รับอนุญาต รวมทั้งรายละเอียดต่างๆ ของบริการหลังการขายได้ทางอินเทอร์เน็ตที่:

[www.2helpU.com](http://www.2helpU.com)

## อุปกรณ์เสริม



**คำเตือน:** เนื่องจากอุปกรณ์เสริมอื่นนอกเหนือจากที่ DEWALT มีจำหน่ายไม่ได้ผ่านการทดสอบร่วมกับผลิตภัณฑ์นี้ จึงอาจเป็นอันตรายหากใช้อุปกรณ์เสริมดังกล่าวร่วมกับเครื่องมือนี้ เพื่อเป็นการลดความเสี่ยงที่จะได้รับบาดเจ็บ ให้ใช้อุปกรณ์เสริมเฉพาะที่ DEWALT แนะนำให้ใช้ร่วมกับผลิตภัณฑ์นี้เท่านั้น

ดอกสว่านและดอกสกัด SDS Max® ชนิดต่างๆ มีจำหน่ายเป็นอุปกรณ์เสริม

โปรดติดต่อตัวแทนจำหน่ายหากต้องการข้อมูลเพิ่มเติมเกี่ยวกับอุปกรณ์เสริมที่เหมาะสม

## การปกป้องสิ่งแวดล้อม



การเก็บรวบรวมแบบคัดแยก ห้ามทิ้งผลิตภัณฑ์นี้ร่วมกับขยะในครัวเรือนปกติ

หากวันหนึ่งคุณจำเป็นต้องเปลี่ยนผลิตภัณฑ์ DEWALT ของคุณ หรือเครื่องมือนี้ไม่เป็นประโยชน์สำหรับคุณอีกต่อไป อย่าทิ้งผลิตภัณฑ์นี้ร่วมกับขยะในครัวเรือนจัดการกับผลิตภัณฑ์นี้เพื่อให้พร้อมสำหรับการเก็บรวบรวมแบบคัดแยก



การเก็บรวบรวมแบบคัดแยกสำหรับบรรจุภัณฑ์และผลิตภัณฑ์ที่ใช้แล้วทำให้สามารถรีไซเคิลวัสดุและนำมาใช้งานได้อีกครั้ง การนำวัสดุรีไซเคิลมาใช้อีกครั้งจะช่วยป้องกันมลพิษต่อสิ่งแวดล้อมและลดความต้องการวัตถุดิบ





