

**DEWALT®**

**[www.DEWALT.com](http://www.DEWALT.com)**

**DWE349**

---

English ( <i>original instructions</i> )	4
Français ( <i>traduction de la notice d'instructions originale</i> )	9
العربية: <i>مترجم عن التعليمات الأصلية</i>	15

---

Fig. A

شکل A

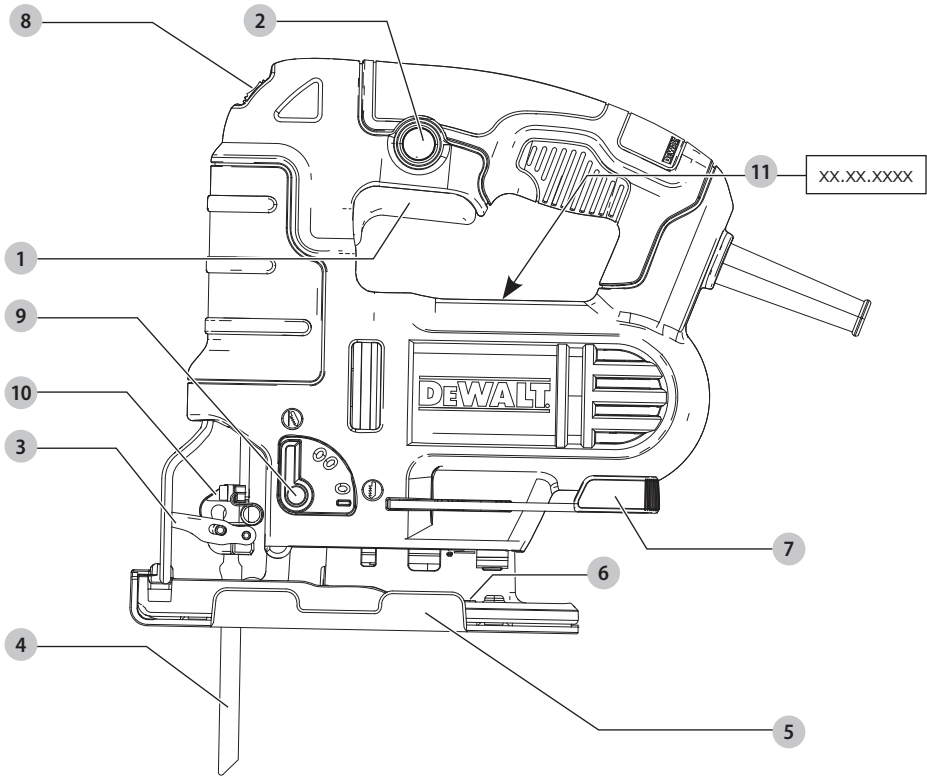


Fig. B

شکل B

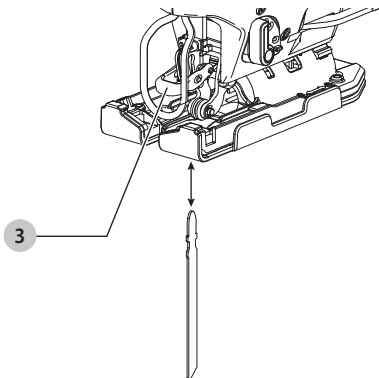


Fig. C

شکل C

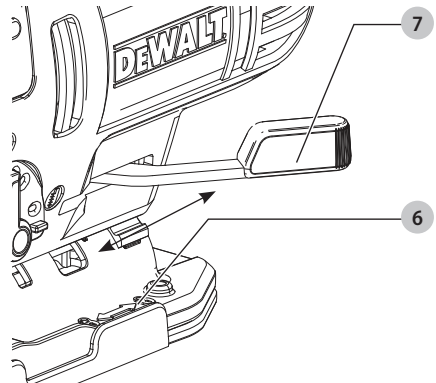


Figure D  
شكل D

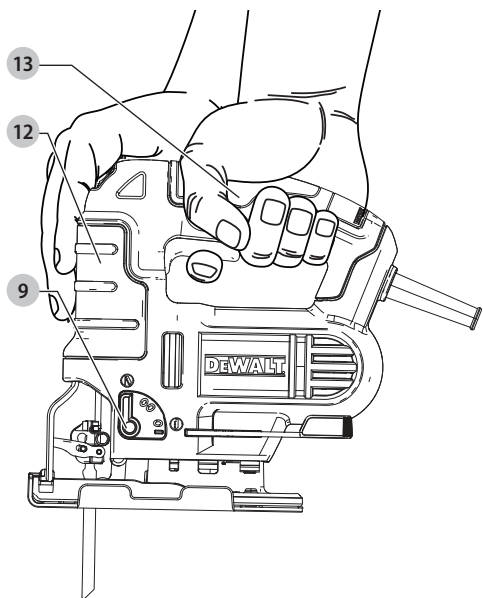


Figure E  
شكل E

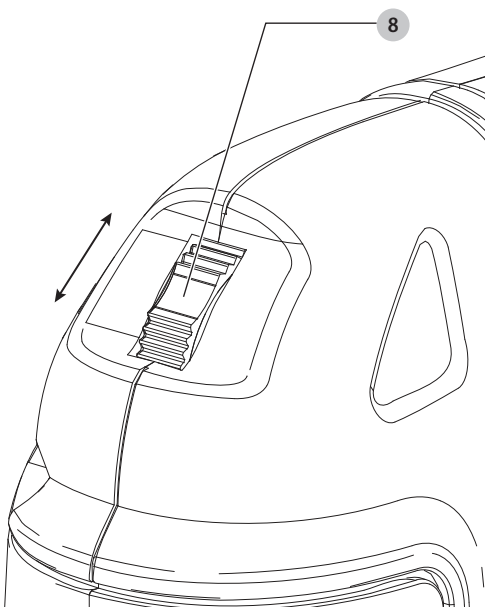


Figure F  
شكل F

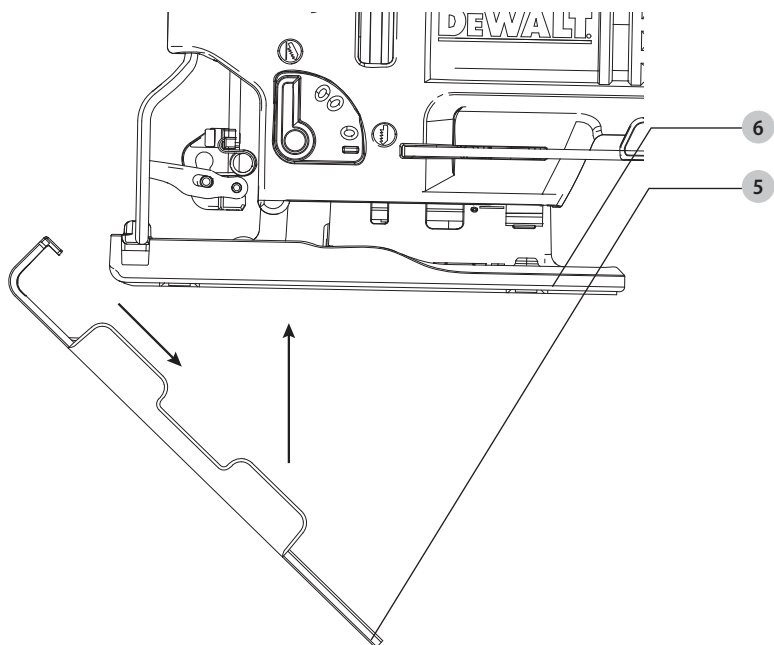


Figure G  
شکل G

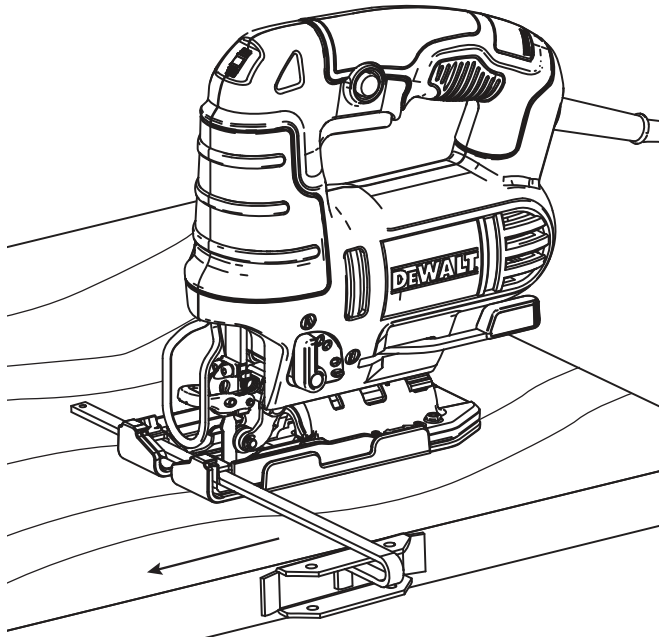
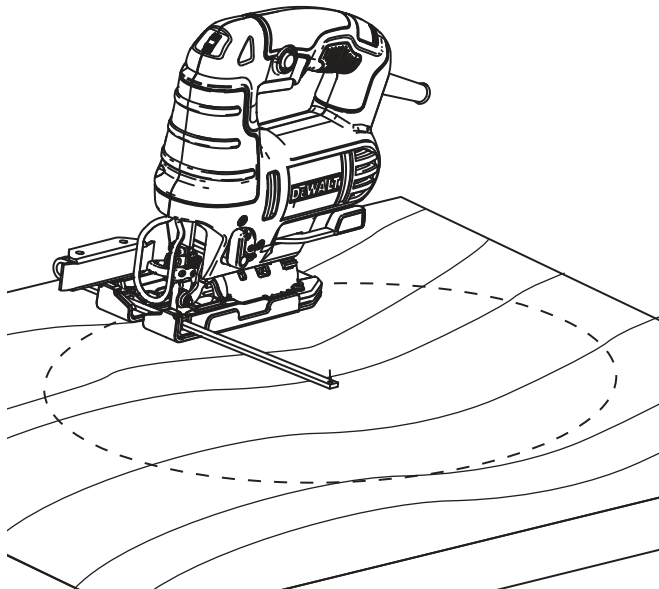


Figure H  
شکل H



# JIG SAW

## DWE349

### Congratulations!

You have chosen a DeWALT tool. Years of experience, thorough product development and innovation make DeWALT one of the most reliable partners for professional power tool users.

### Technical Data

		DWE349-B4	DWE349-B5	DWE349-ZA
Type		1	1	1
Voltage	V <sub>AC</sub>	127	220-240	230
Power output	W	650	650	650
Frequency	Hz	60	50/60	50
No-load speed	/min	500-3200	500-3200	500-3200
Stroke length	mm	20	20	20
Bevel angle adjustment	l/r	0-45°	0-45°	0-45°
Weight	kg	2.4	2.4	2.4
Cutting depth in:				
wood	mm	85	85	85
aluminum	mm	20	20	20
steel (non-alloy)	mm	10	10	10



**WARNING:** To reduce the risk of injury, read the instruction manual.

### Definitions: Safety Guidelines

The definitions below describe the level of severity for each signal word. Please read the manual and pay attention to these symbols.



**DANGER:** Indicates an imminently hazardous situation which, if not avoided, **will** result in **death or serious injury**.



**WARNING:** Indicates a potentially hazardous situation which, if not avoided, **could** result in **death or serious injury**.



**CAUTION:** Indicates a potentially hazardous situation which, if not avoided, **may** result in **minor or moderate injury**.

**NOTICE:** Indicates a practice **not related to personal injury** which, if not avoided, **may** result in **property damage**.



Denotes risk of electric shock.



Denotes risk of fire.

### GENERAL POWER TOOL SAFETY WARNINGS



**WARNING:** Read all safety warnings, instructions, illustrations and specifications provided with this power tool. Failure to follow all instructions listed below may result in electric shock, fire and/or serious injury.

### SAVE ALL WARNINGS AND INSTRUCTIONS FOR FUTURE REFERENCE

The term "power tool" in the warnings refers to your mains-operated (corded) power tool or battery-operated (cordless) power tool.

#### 1) Work Area Safety

- Keep work area clean and well lit.** Cluttered or dark areas invite accidents.
- Do not operate power tools in explosive atmospheres, such as in the presence of flammable liquids, gases or dust.** Power tools create sparks which may ignite the dust or fumes.
- Keep children and bystanders away while operating a power tool.** Distractions can cause you to lose control.

#### 2) Electrical Safety

- Power tool plugs must match the outlet. Never modify the plug in any way. Do not use any adapter plugs with earthed (grounded) power tools.** Unmodified plugs and matching outlets will reduce risk of electric shock.
- Avoid body contact with earthed or grounded surfaces, such as pipes, radiators, ranges and refrigerators.** There is an increased risk of electric shock if your body is earthed or grounded.
- Do not expose power tools to rain or wet conditions.** Water entering a power tool will increase the risk of electric shock.
- Do not abuse the cord. Never use the cord for carrying, pulling or unplugging the power tool. Keep cord away from heat, oil, sharp edges or moving parts.** Damaged or entangled cords increase the risk of electric shock.
- When operating a power tool outdoors, use an extension cord suitable for outdoor use.** Use of a cord suitable for outdoor use reduces the risk of electric shock.
- If operating a power tool in a damp location is unavoidable, use a residual current device (RCD) protected supply.** Use of an RCD reduces the risk of electric shock.

#### 3) Personal Safety

- Stay alert, watch what you are doing and use common sense when operating a power tool. Do not use a power tool while you are tired or under the influence of drugs, alcohol or medication.** A moment of inattention while operating power tools may result in serious personal injury.
- Use personal protective equipment. Always wear eye protection.** Protective equipment such as a dust mask, non-skid safety shoes, hard hat or hearing protection used for appropriate conditions will reduce personal injuries.

- c) **Prevent unintentional starting. Ensure the switch is in the off-position before connecting to power source and/or battery pack, picking up or carrying the tool.** Carrying power tools with your finger on the switch or energising power tools that have the switch on invites accidents.
- d) **Remove any adjusting key or wrench before turning the power tool on.** A wrench or a key left attached to a rotating part of the power tool may result in personal injury.
- e) **Do not overreach. Keep proper footing and balance at all times.** This enables better control of the power tool in unexpected situations.
- f) **Dress properly. Do not wear loose clothing or jewellery. Keep your hair and clothing away from moving parts.** Loose clothes, jewellery or long hair can be caught in moving parts.
- g) **If devices are provided for the connection of dust extraction and collection facilities, ensure these are connected and properly used.** Use of dust collection can reduce dust-related hazards.
- h) **Do not let familiarity gained from frequent use of tools allow you to become complacent and ignore tool safety principles.** A careless action can cause severe injury within a fraction of a second.

#### 4) Power Tool Use and Care

- a) **Do not force the power tool. Use the correct power tool for your application.** The correct power tool will do the job better and safer at the rate for which it was designed.
- b) **Do not use the power tool if the switch does not turn it on and off.** Any power tool that cannot be controlled with the switch is dangerous and must be repaired.
- c) **Disconnect the plug from the power source and/or remove the battery pack, if detachable, from the power tool before making any adjustments, changing accessories, or storing power tools.** Such preventive safety measures reduce the risk of starting the power tool accidentally.
- d) **Store idle power tools out of the reach of children and do not allow persons unfamiliar with the power tool or these instructions to operate the power tool.** Power tools are dangerous in the hands of untrained users.
- e) **Maintain power tools and accessories. Check for misalignment or binding of moving parts, breakage of parts and any other condition that may affect the power tool's operation. If damaged, have the power tool repaired before use.** Many accidents are caused by poorly maintained power tools.
- f) **Keep cutting tools sharp and clean.** Properly maintained cutting tools with sharp cutting edges are less likely to bind and are easier to control.
- g) **Use the power tool, accessories and tool bits etc. in accordance with these instructions, taking into account the working conditions and the work to be performed.** Use of the power tool for operations different from those intended could result in a hazardous situation.

- h) **Keep handles and grasping surfaces dry, clean and free from oil and grease.** Slippery handles and grasping surfaces do not allow for safe handling and control of the tool in unexpected situations.

#### 5) Service

- a) **Have your power tool serviced by a qualified repair person using only identical replacement parts.** This will ensure that the safety of the power tool is maintained.

#### Additional Safety Warnings for Jigsaws

- **Hold the power tool by insulated gripping surfaces, when performing an operation where the cutting accessory may contact hidden wiring or its own cord.** Cutting accessory contacting a "live" wire may make exposed metal parts of the power tool "live" and could give the operator an electric shock.
- **Use clamps or another practical way to secure and support the workpiece to a stable platform.** Holding the workpiece by hand or against your body leaves it unstable and may lead to loss of control.
- **Keep hands away from cutting area. Never reach underneath the workpiece for any reason.** Do not insert fingers or thumb into the vicinity of the reciprocating blade and blade clamp. Do not stabilize the saw by gripping the shoe.
- **Keep blades sharp.** Dull or damaged blades may cause the saw to swerve or stall under pressure. Always use the appropriate type of saw blade for the workpiece material and type of cut.
- **When cutting pipe or conduit, make sure that they are free from water, electrical wiring, etc.**
- **Do not touch the workpiece or the blade immediately after operating the tool.** They can become very hot.
- **Be aware of hidden hazards, before cutting into walls, floors or ceilings, check for the location of wiring and pipes.**
- **The blade will continue to move after releasing the switch.** Always switch the tool off and wait for the saw blade to come to a complete standstill before putting the tool down.

#### Residual Risks

In spite of the application of the relevant safety regulations and the implementation of safety devices, certain residual risks cannot be avoided. These are:

- Impairment of hearing.
- Risk of personal injury due to flying particles.
- Risk of burns due to accessories becoming hot during operation.
- Risk of personal injury due to prolonged use.

#### Electrical Safety

The electric motor has been designed for one voltage only. Always check that the power supply corresponds to the voltage on the rating plate.



Your DEWALT tool is double insulated in accordance with EN62841; therefore no earth wire is required.

**WARNING:** 127V units have to be operated via a fail-safe isolating transformer with an earth screen between the primary and secondary winding.

If the supply cord is damaged, it must be replaced by a specially prepared cord available through the DEWALT service organisation.

### Mains Plug Replacement (Middle East and Africa)

If a new mains plug needs to be fitted:

- Safely dispose of the old plug.
- Connect the brown lead to the live terminal in the plug.
- Connect the blue lead to the neutral terminal.



**WARNING:** No connection is to be made to the earth terminal.

Follow the fitting instructions supplied with good quality plugs. Recommended fuse: 13 A.

### Using an Extension Cable

If an extension cable is required, use an approved 3-core extension cable suitable for the power input of this tool (see **Technical Data**). The minimum conductor size is 1.5 mm<sup>2</sup>; the maximum length is 30 m.

When using a cable reel, always unwind the cable completely.

### Package Contents

The package contains:

- 1 Jigsaw
- 1 Jig saw blade
- 1 Anti-scratch shoe cover
- 1 Instruction manual
- Check for damage to the tool, parts or accessories which may have occurred during transport.
- Take the time to thoroughly read and understand this manual prior to operation.

### Markings on Tool

The following pictograms are shown on the tool:



Read instruction manual before use.



Wear ear protection.



Wear eye protection.

### Date Code Position (Fig. A)

The date code **11**, which also includes the year of manufacture, is printed into the housing.

Example:

XXXX XX XX  
Year of Manufacture

### Description (Fig. A)



**WARNING:** Never modify the power tool or any part of it. Damage or personal injury could result.

- 1 On/off switch
- 2 Lock-on button
- 3 Saw blade locking lever
- 4 Saw blade
- 5 Shoe sleeve
- 6 Shoe
- 7 Shoe beveling lever
- 8 Speed control dial
- 9 Pendulum stroke selector
- 10 Blade holder

### Intended Use

Your jig saw has been designed for professional sawing applications. Your DEWALT jig saw, DWE349, has been designed for sawing wood, plastics, metal, rubber and ceramic plates

**DO NOT** use under wet conditions or in the presence of flammable liquids or gases.

These jigsaws are professional power tools.

**DO NOT** let children come into contact with the tool.

Supervision is required when inexperienced operators use this tool.

- **Young children and the infirm.** This appliance is not intended for use by young children or infirm persons without supervision.
- This product is not intended for use by persons (including children) suffering from diminished physical, sensory or mental abilities; lack of experience, knowledge or skills unless they are supervised by a person responsible for their safety. Children should never be left alone with this product.

### ASSEMBLY AND ADJUSTMENTS



**WARNING:** To reduce the risk of serious personal injury, turn tool off and disconnect tool from power source before making any adjustments or removing/installing attachments or accessories. An accidental start-up can cause injury.

### Blade Installation (Fig. B)



**WARNING:** When mounting the saw blade wear protective gloves. danger of injury when touching the saw blade.




**WARNING:** Use only T type blades. Using blades other than T type blades cause insufficient tightening of the blade, resulting in a serious personal injury.

1. Push the saw blade locking lever **3** upward.
2. With teeth facing forward, insert the shank of the saw blade into the blade holder as far as it will go.
3. Release the lever.
4. Check to ensure blade is secure before cutting. A loose saw blade can fall out an lead to injury.



## Adjusting the Shoe for Bevel Cuts (Fig. C)

-  **WARNING:** Never use the tool when the shoe is loose or removed. The shoe plate can be set to a left or right bevel angle of up to 45°.

### To Set the Bevel Angle




1. Pull the shoe beveling lever **7** out and away from the saw to unlock the shoe **6** as shown in Figure C.
2. Slide the shoe forward to release it from the 0° positive stop position.
3. The shoe can be beveled to the left or to the right and has detents at 15°, 30° and 45°.
4. Set the shoe to the desired bevel angle. Use a protractor to verify angle accuracy.
5. Push the shoe beveling lever back towards the saw to lock the shoe.

### To Reset the Shoe for Straight Cuts



1. Pull the shoe beveling lever **7** out and away from the saw to unlock the shoe **6** as shown in Figure C.
2. Rotate shoe to an angle of approximately 0° and then pull shoe backwards to engage the 0° positive stop.
3. Push the shoe beveling lever back towards the saw to lock the shoe.

## OPERATION

### Instructions for Use

-  **WARNING:** Always observe the safety instructions and applicable regulations.
-  **WARNING:** To reduce the risk of serious personal injury, turn tool off and disconnect tool from power source before making any adjustments or removing/installing attachments or accessories. An accidental start-up can cause injury.
-  **WARNING:**
- Make sure your workpiece is well secured. Remove nails, screws and other fasteners that may damage the blade.
  - Check that there is sufficient space for the blade underneath the workpiece.
  - Do not cut materials that exceed the maximum cutting depth of the blade.
  - Use sharp saw blades only. Damaged or bent saw blades must be removed immediately.
  - Do not use the tool for sawing pipes or tubes.
  - Never run your tool without a saw blade.
  - For optimal results, move the tool smoothly and constantly over the workpiece. Do not exert lateral pressure on the saw blade. Keep the shoe flat on the workpiece and lead the cord away in line with the tool. When sawing curves, circles or other round shapes, push the tool gently forward.
  - Wait until the tool has come to a standstill before removing the saw blade from the workpiece. After sawing the blade may be very hot. Do not touch.

## Proper Hand Position (Fig. D)


-  **WARNING:** To reduce the risk of serious personal injury, ALWAYS use proper hand position as shown.
-  **WARNING:** To reduce the risk of serious personal injury, ALWAYS hold securely in anticipation of a sudden reaction.

Proper hand position requires one hand on the front handle **13**, with the other hand on the main handle **12**.

## Switching On and Off (Fig. A)

- To switch the tool on, squeeze the trigger switch **1**.
- For continuous operation, squeeze the trigger switch then depress the lock-on button **2**. Once lock-on button is depressed, release the trigger switch.
- To switch the tool off, release the trigger switch. To switch the tool off, when in continuous operation, squeeze the trigger and the lock will disengage.

## Variable Speed Control (Fig. E)


-  **WARNING:** If the tool is operated continuously at low speeds for a long time, the motor will get overload and heated up.

A speed control dial **8** is located on the top of the saw. The speed increases as the dial is turned from a low speed setting of 1 to a high speed setting of 6.

Refer to the table to select the proper speed for the workpiece to be cut. However, the appropriate speed may differ with the type or thickness of the workpiece. In general, higher speeds will allow you to cut workpieces faster but the service life of the blade will be reduced.

Material	Variable Speed Control Setting
Wood	5-6
Stainless steel	3-4
Mild steel	3-6
Aluminum	3-6
Plastics	1-4

## Cutting Action – Orbital or Straight (Fig. A)

-  **WARNING:** Check that the tool is not locked ON before connecting it to a power supply. If the trigger switch is locked on when the tool is connected to the power supply, it will start immediately. Damage to your tool or personal injury may result.

This jig saw is equipped with four cutting actions, three orbital and one straight. Orbital action has a more aggressive blade motion and is designed for cutting in soft materials like wood or plastic. Orbital action provides a faster cut, but with a less smooth cut across the material. In orbital action, the blade moves forward during the cutting stroke in addition to the up and down motion.

**NOTE:** Metal or hardwoods should never be cut in orbital action.

## Setting the Pendulum Stroke

1. Move the pendulum stroke selector **9** between the four cutting positions: 0, 1, 2, and 3.
2. Position 0 is straight cutting.
3. Positions 1, 2, and 3 are orbital cutting.

The aggressiveness of the cut increases as the lever is adjusted from one to three, with three being the most aggressive cut.

## Removable Shoe Sleeve (Fig. F)

The non-marring shoe sleeve **5** should be used when cutting surfaces that scratch easily, such as laminate, veneer, or paint. It can also be used to protect the shoe surface during transportation and storage.

To attach shoe sleeve, place the front of the shoe **6** into the front of the shoe sleeve and lower the jig saw as shown in Figure F. The shoe sleeve will click securely onto the rear of the shoe.

To remove shoe sleeve, grasp the sleeve from the bottom at the two rear tabs and pull down and away from the shoe.

## Hints for Optimum Use

### Sawing laminates

- As the saw blade cuts on the upward stroke, splintering may occur on the surface closest to the shoe plate.
- Use a fine-tooth saw blade.
- Saw from the back surface of the workpiece.
- To minimize splintering, clamp a piece of scrap wood or hardboard to both sides of the workpiece and saw through this sandwich.

### Sawing metal

- Be aware that sawing metal takes much more time than sawing wood.
- Use a saw blade suitable for sawing metal.
- When cutting thin metal, clamp a piece of scrap wood to the back surface of the workpiece and cut through this sandwich.
- Spread a film of oil along the intended line of cut for easier operation and longer blade life. For cutting aluminum, kerosene is preferred.

## Rip/Circle Cutting (Fig. G, H)

Ripping and circle cutting without a pencil line is easily done with the rip fence / circle guide (not included; available at extra cost).

Using the screw supplied with the accessory guide, position and thread the screw into the shoe to clamp the fence securely.

When ripping, slide the rip fence under the screw from either side of the saw. Set the cross bar at desired distance from blade and tighten screw. For ripping, the cross bar should be down and against the straight edge of the workpiece.

When circle cutting, adjust rip fence so that distance from blade to hole in fence arm is at the desired radius and tighten screw. Place saw so that hole in fence arm is over centre of circle to be cut (drill hole for blade or cut inward from edge of material to get blade into position). When saw is properly positioned, drive

a small nail through hole in fence arm. Using rip fence as a pivot arm, begin cutting circle. For circle cutting, the cross bar should be up.

## MAINTENANCE

Your power tool has been designed to operate over a long period of time with a minimum of maintenance. Continuous satisfactory operation depends upon proper tool care and regular cleaning.



**WARNING:** To reduce the risk of serious personal injury, turn tool off and disconnect tool from power source before making any adjustments or removing/ installing attachments or accessories. An accidental start-up can cause injury.



## Lubrication

Your power tool requires no additional lubrication.



## Cleaning



**WARNING:** Blow dirt and dust out of the main housing with dry air as often as dirt is seen collecting in and around the air vents. Wear approved eye protection and approved dust mask when performing this procedure.



**WARNING:** Never use solvents or other harsh chemicals for cleaning the non-metallic parts of the tool. These chemicals may weaken the materials used in these parts. Use a cloth dampened only with water and mild soap. Never let any liquid get inside the tool; never immerse any part of the tool into a liquid.

## Optional Accessories



**WARNING:** Since accessories, other than those offered by DEWALT, have not been tested with this product, use of such accessories with this tool could be hazardous. To reduce the risk of injury, only DEWALT recommended accessories should be used with this product.

Consult your dealer for further information on the appropriate accessories.

## Protecting the Environment



Separate collection. Products marked with this symbol must not be disposed of with normal household waste.

Products contain materials that can be recovered or recycled reducing the demand for raw materials. Please recycle electrical products according to local provisions. Further information is available at [www.2helpU.com](http://www.2helpU.com).

# SCIES SAUTEUSES

## DWE349

### Félicitations !

Vous avez choisi un outil DEWALT. Des années d'expérience, de développement de produits et d'innovation ont fait de DEWALT l'un des partenaires les plus fiables pour les utilisateurs d'outils électriques professionnels.

### Caractéristiques techniques

		DWE349-B4	DWE349-B5	DWE349-ZA
Type		1	1	1
Tension	$V_G$	127	220-240	230
Puissance utile	A	650	650	650
Fréquence	Hz	60	50/60	50
Vitesse à vide	/min	500-3200	500-3200	500-3200
Longueur de la course	mm	20	20	20
Réglage de l'angle du biseau	l/r	0-45°	0-45°	0-45°
Poids	kg	2,4	2,4	2,4
Profondeur de coupe dans :				
le bois	mm	85	85	85
l'aluminium	mm	20	20	20
l'acier (sans alliage)	mm	10	10	10



**AVERTISSEMENT** : afin de réduire le risque de blessure, lisez le manuel d'instruction.

### Définitions : consignes de sécurité

Les définitions ci-dessous décrivent le niveau de gravité de chaque mot signalétique. Lisez le manuel de l'utilisateur et soyez attentif à ces symboles.



**DANGER** : indique une situation dangereuse imminente qui, si elle n'est pas évitée, **entraînera des blessures graves ou mortelles**.



**AVERTISSEMENT** : indique une situation dangereuse potentielle qui, si elle n'est pas évitée, pourrait entraîner **des blessures graves ou mortelles**.



**ATTENTION** : indique une situation dangereuse potentielle qui, si elle n'est pas évitée, pourrait entraîner **des blessures minimales ou modérées**.

**AVIS** : indique une pratique ne **posant aucun risque de dommages corporels**, mais qui par contre, si rien n'est fait pour l'éviter, **pourrait poser des risques de dommages matériels**.



Indique un risque d'électrocution.



Indique un risque d'incendie.

## CONSIGNES DE SÉCURITÉ GÉNÉRALES PROPRES AUX OUTILS ÉLECTRIQUES



**AVERTISSEMENT** : veuillez lire tous les avertissements de sécurité, toutes les instructions, illustrations et spécifications fournies avec cet outil électrique. Le non respect des instructions listées ci-dessous peut conduire à des chocs électriques, des incendies et/ou de graves blessures.

### CONSERVER TOUTES CES DIRECTIVES ET CONSIGNES À TITRE DE RÉFÉRENCE

Le terme « outil électrique » mentionné dans les avertissements ci-après se rapporte aux outils alimentés sur secteur (avec fil) ou par piles (sans fil).

#### 1) Sécurité – Aire de Travail

- Maintenir l'aire de travail propre et bien éclairée.** Les lieux sombres ou encombrés sont propices aux accidents.
- Ne pas utiliser un outil électrique dans un milieu déflagrant, comme en présence de liquides, gaz ou poussières inflammables.** Les outils électriques peuvent produire des étincelles qui pourraient enflammer toute émanation ou poussière ambiante.
- Maintenir à l'écart les enfants, ou toute autre personne, lors de l'utilisation d'un outil électrique.** Toute distraction pourrait faire perdre la maîtrise de l'appareil.

#### 2) Sécurité – Électricité

- La fiche électrique de l'outil doit correspondre à la prise murale. Ne modifier la fiche en aucune façon. Ne pas utiliser de fiche d'adaptation avec un outil électrique mis à la terre (masse).** L'utilisation de fiches d'origine et de prises appropriées réduira tout risque de décharges électriques.
- Éviter tout contact corporel avec des éléments mis à la terre comme : tuyaux, radiateurs, cuisinières ou réfrigérateurs.** Les risques de décharges électriques augmentent lorsque le corps est mis à la terre.
- Ne pas exposer les outils électriques à la pluie ou à l'humidité.** Tout contact d'un outil électrique avec un liquide augmente les risques de décharges électriques.
- Ne pas utiliser le cordon de façon abusive. Ne jamais utiliser le cordon pour transporter, tirer ou débrancher un outil électrique. Protéger le cordon de toute source de chaleur, de l'huile, et de tout bord tranchant ou pièce mobile.** Les cordons endommagés ou emmêlés augmentent les risques de décharges électriques.
- En cas d'utilisation d'un outil électrique à l'extérieur, utiliser systématiquement une rallonge conçue à cet effet.** Cela diminuera tout risque de décharges électriques.
- Si on ne peut éviter d'utiliser un outil électrique en milieu humide, utiliser un circuit protégé par un**

**dispositif de courant résiduel (RCD).** Cela réduira tout risque de décharges électriques.

### 3) Sécurité Individuelle

- a) **Rester systématiquement vigilant et faire preuve de jugement lorsqu'on utilise un outil électrique. Ne pas utiliser d'outil électrique en cas de fatigue ou sous l'influence de drogues, d'alcool ou de médicaments.** Tout moment d'inattention pendant l'utilisation d'un outil électrique comporte des risques de dommages corporels graves.
- b) **Porter un équipement de protection individuel. Porter systématiquement un dispositif de protection oculaire.** Le fait de porter un masque anti-poussières, des chaussures antidérapantes, un casque de sécurité ou un dispositif de protection auditive, lorsque la situation le requiert, réduira les risques de dommages corporels.
- c) **Prévenir tout démarrage accidentel. S'assurer que l'interrupteur est en position d'arrêt avant de brancher l'outil sur le secteur et/ou à la batterie, ou de le ramasser ou le transporter.** Transporter un outil le doigt sur l'interrupteur ou brancher un outil électrique alors que l'interrupteur est en position de marche invite les accidents.
- d) **Retirer toute clé de réglage avant de démarrer l'outil.** Une clé laissée sur une pièce rotative d'un outil électrique comporte des risques de dommages corporels.
- e) **Adopter une position stable. Maintenir les pieds bien ancrés au sol et conserver son équilibre en permanence.** Cela permettra de mieux maîtriser l'outil électrique en cas de situations imprévues.
- f) **Porter des vêtements appropriés. Ne porter aucun vêtement ample ou bijou. Maintenir cheveux, vêtements et gants à l'écart des pièces mobiles,** car ils pourraient s'y faire prendre.
- g) **Lorsqu'un dispositif de connexion à un système de dépoussiérage ou d'élimination est fourni, s'assurer qu'il est branché et utilisé correctement.** L'utilisation de ces dispositifs peut réduire les risques engendrés par les poussières.
- h) **Ne pensez pas être à ce point familiarisé avec l'outil après l'avoir utilisé à de nombreuses reprises, au point de ne plus rester vigilant et d'en oublier les consignes de sécurité.** Toute action imprudente peut engendrer de graves blessures en une fraction de seconde.

### 4) Utilisation et Entretien des Outils Électriques

- a) **Ne pas forcer un outil électrique. Utiliser l'outil approprié au travail en cours.** L'outil approprié effectuera un meilleur travail, de façon plus sûre et à la vitesse pour laquelle il a été conçu.
- b) **Ne pas utiliser un outil électrique dont l'interrupteur est défectueux.** Tout appareil dont l'interrupteur est défectueux est dangereux et doit être réparé.
- c) **Débranchez la prise du secteur et/ou retirez le bloc-batterie, s'il est amovible, de l'outil électrique**

**avant d'effectuer tout réglage, de changer un accessoire ou de ranger l'outil électrique.** Ces mesures de sécurité préventives réduisent le risque de démarrage accidentel de l'outil électrique.

- d) **Après utilisation, ranger les outils électriques hors de portée des enfants et ne permettre à aucune personne non familière avec son fonctionnement (ou sa notice d'instructions) de l'utiliser.** Les outils peuvent être dangereux entre des mains inexpérimentées.
- e) **Entretien les outils électriques. Vérifier les pièces mobiles pour s'assurer qu'elles sont bien alignées et tournent librement, qu'elles sont en bon état et ne sont affectées d'aucune condition susceptible de nuire au bon fonctionnement de l'outil. En cas de dommage, faire réparer l'outil électrique avant toute nouvelle utilisation.** De nombreux accidents sont causés par des outils mal entretenus.
- f) **Maintenez tout organe de coupe propre et bien affûté.** Les outils de coupe bien entretenus et affûtés sont moins susceptibles de se coincer et sont plus faciles à contrôler.
- g) **Utiliser un outil électrique, ses accessoires, mèches, etc., conformément aux présentes directives et suivant la manière prévue pour ce type particulier d'outil électrique, en tenant compte des conditions de travail et de la tâche à effectuer.** L'utilisation d'un outil électrique à des fins autres que celles prévues est potentiellement dangereuse.
- h) **Maintenez toutes les poignées et surfaces de préhension sèches, propres et exemptes d'huile et de graisse.** Des poignées et des surfaces de préhension glissantes ne permettent pas de manipuler et de contrôler l'outil correctement en cas de situations inattendues.

### 5) Réparation

- a) **Faire entretenir les outils électriques par un réparateur qualifié en n'utilisant que des pièces de rechange identiques.** Cela permettra de préserver l'intégrité de l'outil électrique et la sécurité de l'utilisateur.

### Avertissements de sécurité supplémentaires propres aux scies sauteuses

- **Tenez l'outil électrique par ses surfaces de préhension isolées lorsque vous réalisez une opération pendant laquelle l'organe de coupe peut entrer en contact avec des fils cachés ou son propre cordon électrique.** Tout contact de l'organe de coupe avec un fil sous tension peut mettre les parties métalliques exposées de l'outil sous tension et provoquer une décharge électrique à l'utilisateur.
- **Utilisez des pinces ou tout autre moyen pratique pour fixer et soutenir l'ouvrage sur une plateforme stable.** Tenir l'ouvrage à la main ou contre votre corps le rend instable et peut conduire à une perte de contrôle.
- **Éloignez vos mains des zones de découpe. N'avancez jamais les mains sous l'ouvrage pour quelque raison que ce soit.** Ne passez pas vos doigts ou vos pouces à proximité

de la lame sabre et du dispositif de fixation de la lame. Ne cherchez pas à stabiliser la scie en la tenant par la semelle.

- **Veillez à garder les lames bien affûtées.** Les lames émoussées ou endommagées peuvent faire dévier ou bloquer la scie pendant l'utilisation. Utilisez toujours un type de lame de scie adapté à la matière de l'ouvrage et au type de coupe à réaliser.
- **Avant de couper un tuyau ou une conduite, assurez-vous qu'ils ne contiennent ni eau, ni fil électrique, etc.**
- **Ne touchez l'ouvrage ou la lame immédiatement après avoir utilisé l'outil.** Ils peuvent être très chauds.
- **Prenez garde aux risques cachés. Avant de découper des murs, des planchers ou des plafonds, vérifiez l'emplacement des câbles et tuyaux.**
- **Le va-et-vient de la lame continue après avoir relâché le bouton.** Éteignez toujours l'outil et attendez que la lame se soit complètement arrêtée avant de reposer l'outil.

## Risques résiduels

Malgré l'application de la réglementation de sécurité applicable et la mise en œuvre des dispositifs de sécurité, certains risques résiduels ne peuvent pas être évités. À savoir :

- Diminution de l'acuité auditive.
- Risques de dommages corporels dus à la projection de particules.
- Risques de brûlures provoquées par des accessoires chauffant pendant leur utilisation.
- Risques de dommages corporels dus à un usage prolongé.

## Sécurité électrique

Le moteur électrique a été conçu pour fonctionner sur une tension unique. Vérifier systématiquement que la tension du secteur correspond bien à la tension indiquée sur la plaque signalétique.



Votre outil DEWALT dispose d'une double isolation, conformément à la norme EN62841. Il ne nécessite donc aucune liaison à la terre.

**AVERTISSEMENT :** les appareils à 127 V doivent être utilisés avec des transformateurs d'isolation à l'épreuve des pannes doté d'un écran de terre entre l'enroulement primaire et secondaire.

Si le cordon fourni est endommagé, le remplacer par un cordon spécialement conçu à cet effet, et disponible auprès du service après-vente DEWALT.

## Remplacement de la fiche d'alimentation (Moyen-Orient et Afrique)

Si une nouvelle fiche d'alimentation doit être montée :

- Mettre soigneusement au rebut l'ancienne fiche.
- Raccorder le fil marron à la borne de phase dans la fiche.
- Raccorder le fil bleu à la borne de neutre.



**AVERTISSEMENT :** aucun branchement ne doit être fait à la borne de terre.

Suivez les instructions de montage fournies avec des fiches de bonne qualité. Fusible recommandé : 13 A.

## Utilisation d'une rallonge

Si une rallonge s'avère nécessaire, utiliser une rallonge à trois fils homologuée et compatible avec la tension nominale de cet outil (consulter la **Fiche techniques**). La section minimale du conducteur est de 1,5 mm<sup>2</sup> pour une longueur maximale de 30 m.

En cas d'utilisation d'un dévidoir, dérouler systématiquement le câble sur toute sa longueur.

## Contenu de l'emballage

L'emballage contient :

- 1 Scie sauteuse
  - 1 Lame de scie sauteuse
  - 1 Cache de semelle anti-rayures
  - 1 Manuel d'utilisation
- Vérifiez que l'appareil et ses pièces ou accessoires n'ont pas été endommagés pendant le transport.
  - Prenez le temps de lire complètement et parfaitement comprendre ce manuel avant d'utiliser l'outil.

## Marquages apposés sur l'outil

Les pictogrammes suivants se trouvent sur l'outil :



Veillez lire le manuel d'utilisation avant utilisation.



Portez des protections auditives.



Portez une protection oculaire.

## Emplacement du code date (Fig. A)

Le code date **11**, qui inclut également l'année de fabrication, est imprimé sur le corps de l'outil.

Exemple :

XXXX XX XX

Année de fabrication

## Descriptif (Fig. A)



**AVERTISSEMENT :** ne modifiez jamais l'outil électrique ni aucune de ses pièces. Il existe sinon un risque de blessures ou de dommages.

- 1 Interrupteur Marche/Arrêt
- 2 Bouton de verrouillage
- 3 Levier de verrouillage de la lame de scie
- 4 Lame de scie
- 5 Manchon de semelle
- 6 Semelle
- 7 Levier d'inclinaison de la semelle
- 8 Molette variateur de vitesse
- 9 Sélecteur du mouvement pendulaire
- 10 Porte-lame

## Utilisation prévue

Votre scie sauteuse a été conçue pour les applications professionnelles de sciage. Votre scie sauteuse DEWALT, DWE349, a été conçue pour scier le bois, le plastique, le métal, le caoutchouc et la céramique.

**NE L'UTILISEZ PAS** dans les environnements humides ou en présence de liquides ou de gaz inflammables.

Ces scies sauteuses sont des outils professionnels.

**NE LAISSEZ PAS** les enfants toucher l'outil. Les utilisateurs inexpérimentés doivent être supervisés.

- Ce produit n'est pas prévu pour être utilisé par des personnes (y compris les enfants) aux capacités physiques, sensorielles ou intellectuelles réduites ou qui manquent d'expérience, de connaissances ou d'aptitudes, à moins qu'elles ne soient surveillées par une personne responsable de leur sécurité. Ne laissez jamais les enfants seuls avec ce produit.

## MONTAGE ET RÉGLAGES



**AVERTISSEMENT : pour réduire tout risque de dommages corporels graves, arrêter et débrancher l'outil avant tout réglage ou avant de retirer ou installer toute pièce ou tout accessoire.**

Tout démarrage accidentel pourrait causer des dommages corporels.

### Installation de la lame (Fig. B)



**AVERTISSEMENT :** pour installer la lame de scie, portez des gants de protection. Il existe un risque de blessure en cas de contact avec la lame.



**AVERTISSEMENT :** n'utilisez que des lames de type T. Les lames autres que les lames T ne peuvent pas être correctement fixées ce qui entraîne un risque de blessure grave.

1. Enfoncez le levier de verrouillage de la lame de scie 3 vers le haut.
2. En positionnant les dents vers l'avant, insérez la tige de la lame dans le porte-lame le plus loin possible.
3. Relâchez le levier.
4. Vérifiez que la lame est bien fixée avant d'entamer la découpe. Une lame peut serrer peut tomber et conduire à de graves blessures.

### Régler la semelle pour les découpes en biseau (Fig. C)



**AVERTISSEMENT :** n'utilisez jamais l'outil sans sa semelle, ou si cette dernière mal serrée. La semelle peut être installée à un angle de biseau gauche ou droit allant jusqu'à 45°.

#### Pour régler l'angle du biseau

1. Tirez le levier de réglage de l'inclinaison de la semelle 7 vers l'extérieur et à l'opposé de la scie pour déverrouiller la semelle 6, comme illustré par la Figure C.

2. Glissez la semelle vers l'avant pour la libérer de la butée à 0° positif.
3. L'inclinaison de la semelle peut être réglée vers la droite ou la gauche avec des crans à 15°, 30° et 45°.
4. Réglez la semelle à l'angle d'inclinaison voulu. Utilisez un rapporteur pour vérifier l'exactitude de l'angle.
5. Enfoncez le levier de réglage de l'inclinaison de la semelle vers la scie pour verrouiller la semelle.

#### Pour repositionner la semelle pour les découpes droites

1. Tirez le levier de réglage de l'inclinaison de la semelle 7 vers l'extérieur et à l'opposé de la scie pour déverrouiller la semelle 6, comme illustré par la Figure C.
2. Pivotez la semelle à un angle d'environ 0° puis tirez la semelle vers l'arrière pour enclencher la butée à 0° positif.
3. Enfoncez le levier de réglage de l'inclinaison de la semelle vers la scie pour verrouiller la semelle.

## FONCTIONNEMENT

### Consignes d'utilisation



**AVERTISSEMENT :** respecter systématiquement les consignes de sécurité et les normes en vigueur.



**AVERTISSEMENT : pour réduire tout risque de dommages corporels graves, arrêter et débrancher l'outil avant tout réglage ou avant de retirer ou installer toute pièce ou tout accessoire.**

Tout démarrage accidentel pourrait causer des dommages corporels.



**AVERTISSEMENT :**

- Veillez à ce que l'ouvrage soit correctement sécurisé. Retirez les clous, les vis et tous les autres éléments qui pourraient endommager la lame.
- Contrôlez que la lame dispose de suffisamment d'espace sous l'ouvrage.
- Ne sciez pas de matière dépassant la profondeur de coupe maximale de la lame.
- N'utilisez que des lames de scie bien affûtées. Les lames de scies endommagées ou déformées doivent immédiatement être désinstallées.
- N'utilisez pas l'outil pour scier des conduites ou des tubes.
- Ne faites jamais fonctionner votre outil sans lame.
- Pour que le résultat soit optimal, déplacez l'outil de façon régulière et constante dans l'ouvrage. N'exercez aucune pression latérale sur la lame de scie. Gardez la semelle à plat sur l'ouvrage et faites passer le cordon électrique dans l'alignement de l'outil. Pour découper des courbes, des cercles ou d'autres formes arrondies, poussez doucement l'outil vers l'avant.
- Attendez que l'outil soit parfaitement immobile avant de retirer la lame de scie de l'ouvrage. Après la découpe, il se peut que la lame soit très chaude. Ne la touchez pas.



## Position correcte des mains (Fig. D)



**AVERTISSEMENT** : afin de réduire tout risque de graves blessures, respectez **TOUJOURS** la position des mains recommandée et illustrée.



**AVERTISSEMENT** : afin de réduire tout risque de graves blessures, maintenez **TOUJOURS** l'outil fermement pour pouvoir anticiper toute éventuelle réaction soudaine.

La position correcte des mains nécessite d'avoir une main sur la poignée avant **13**, et l'autre main sur la poignée principale **12**.

## Mise en marche et extinction (Fig. A)

- Pour mettre l'outil en marche, appuyez sur le l'interrupteur à gâchette **1**.
- Pour faire fonctionner l'outil en continu, enfoncez l'interrupteur à gâchette puis enfoncez le bouton de verrouillage **2**. Une fois le bouton de verrouillage enfoncé, relâchez l'interrupteur à gâchette.
- Pour éteindre l'outil, relâchez l'interrupteur à gâchette. Pour éteindre l'outil alors qu'il est en mode de fonctionnement continu, enfoncez la gâchette pour que le système de verrouillage se désenclenche.

## Variateur de vitesse (Fig. E)



**AVERTISSEMENT** : si l'outil est en permanence utilisé à vitesse lente pendant de longues périodes, le moteur peut être en surcharge et surchauffer.

Une molette de commande de la vitesse **8** se trouve sur le dessus de la scie. La vitesse augmente au fur et à mesure que la molette est tournée du niveau de réglage 1 (vitesse lente) au niveau de réglage 6 (grande vitesse).

Consultez le tableau pour choisir la bonne vitesse pour l'ouvrage à découper. La vitesse appropriée peut cependant varier en fonction du type et de l'épaisseur de l'ouvrage. De façon générale, les vitesses rapides vous permettent de découper plus rapidement mais elles réduisent la durée de vie de la lame.

Matière	Réglage du variateur de vitesse
Bois	5-6
Acier inoxydable	3-4
Acier doux	3-6
Aluminium	3-6
Plastique	1-4

## Mouvement de coupe – Orbital ou droit (Fig. A)



**AVERTISSEMENT** : vérifiez que l'outil n'est pas verrouillé en position de marche avant de le raccorder à l'alimentation électrique. Si l'interrupteur à gâchette est verrouillé au moment où l'outil est raccordé à l'alimentation électrique, il s'allume immédiatement. Vous pourriez vous blesser et endommager votre outil.

Cette scie sauteuse est équipée de quatre modes de mouvements : trois orbitaux et un droit. Le mouvement orbital offre un mouvement de lame plus agressif et il est prévu pour la découpe des matériaux tendres comme le bois ou le

plastique. Le mode orbital permet une découpe plus rapide, mais moins fluide à travers la matière. En mode orbital, la lame se déplace vers l'avant sur la course de la coupe, en plus de son mouvement de haut en bas.

**REMARQUE** : Ne sciez jamais de métal ou de bois dur en mode orbital.

## Régler la course pendulaire

1. Déplacez le sélecteur de course pendulaire **9** entre les quatre positions de découpe : 0, 1, 2 ou 3.
2. La position 0 correspond à une découpe droite.
3. Les positions 1, 2 et 3 servent pour les découpes avec mouvement orbital.

L'agressivité de la découpe augmente au fur et à mesure que le levier est déplacé des positions 1 à 3, la position 3 étant la plus agressive.

## Manchon de semelle amovible (Fig. F)

Le manchon de semelle anti-traces **5** doit être utilisé pour découper des surfaces sensibles aux rayures comme le stratifié, les surfaces vernies ou peintes. Il peut également servir à protéger la surface de la semelle pendant le transport et pour le rangement.

Pour fixer le manchon de semelle, placez l'avant de la semelle **6** dans l'avant du manchon de semelle et abaissez la scie sauteuse comme illustré par la Figure F. Le manchon de semelle s'enclenche à l'arrière de la semelle.

Pour retirer le manchon de semelle, attrapez le manchon au bas par les deux pattes à l'arrière et tirez-le vers le bas, hors de la semelle.

## Conseils pour une utilisation optimale

### Scier du stratifié

- Du fait que la lame de scie découpe en remontant, des éclats sont possibles sur la surface la plus proche de la semelle.
- Utilisez une lame de scie à dents fines.
- Sciez depuis l'arrière de l'ouvrage.
- Afin de limiter les éclats, fixez un morceau de bois ou de panneau dur des deux côtés de l'ouvrage et sciez à travers cette épaisseur.

### Scier du métal

- Scier du métal prend beaucoup plus de temps que de scier du bois.
- Utilisez une lame de scie adaptée pour la découpe du métal.
- Pour scier une fine épaisseur de métal, fixez une chute de bois à l'arrière de l'ouvrage et sciez à travers cette épaisseur.
- Appliquez une fine couche d'huile le long de la ligne de coupe prévue afin de faciliter la découpe et de préserver la lame. Pour scier de l'aluminium, préférez du kérosène.

## Coupes longitudinales et découpes en cercle (Fig. G, H)

Les coupes longitudinales et les découpes en cercle, sans trait de crayon, peuvent facilement être réalisées à l'aide d'une

garde longitudinale / guide pour cercle (non fourni, disponible en option).

En utilisant la vis fournie avec le guide, positionnez et vissez la vis dans la semelle pour fixer correctement la garde.

Pour les coupes longitudinales, glissez la garde longitudinale sous la vis d'un côté ou de l'autre de la scie. Positionnez la barre transversale à la distance voulue par rapport à la lame et serrez la vis. Pour les coupes longitudinales, la barre transversale doit être en position basse et contre le bord droit de l'ouvrage.

Pour découper en cercle, réglez la garde longitudinale de sorte que la distance entre la lame et le trou du bras de la garde corresponde au rayon voulu, puis serrez la vis. Placez la scie de sorte que le trou du bras de la garde se trouve par-dessus le centre du cercle à découper (percez un trou pour la lame ou coupez vers l'intérieur à partir du bord de l'ouvrage pour positionner la lame). Une fois la scie correctement positionnée, enfoncez un petit clou dans le trou du bras de la garde. En utilisant la garde longitudinale comme bras pivot, commencez à découper le cercle. Pour la découpe en cercle, la barre transversale doit être relevée.

## MAINTENANCE

Votre outil électrique a été conçu pour fonctionner longtemps avec un minimum de maintenance. Le fonctionnement continu et satisfaisant de l'outil dépendra d'une maintenance adéquate et d'un nettoyage régulier.



**AVERTISSEMENT : pour réduire tout risque de dommages corporels graves, arrêter et débrancher l'outil avant tout réglage ou avant de retirer ou installer toute pièce ou tout accessoire.**

*Tout démarrage accidentel pourrait causer des dommages corporels.*



## Lubrification

Votre outil électrique ne requiert aucune lubrification additionnelle.



## Entretien



**AVERTISSEMENT : éliminer poussière et saleté du boîtier principal à l'aide d'air comprimé chaque fois que les orifices d'aération semblent s'encrasser. Porter systématiquement des lunettes de protection et un masque anti-poussières homologués au cours de cette procédure.**



**AVERTISSEMENT : ne jamais utiliser de solvants ou tout autre produit chimique décapant pour nettoyer les parties non métalliques de l'outil. Ces produits chimiques pourraient en attaquer les matériaux utilisés. Utiliser un chiffon humidifié avec de l'eau et un savon doux. Protéger l'outil de tout liquide et n'immerger aucune de ses pièces dans aucun liquide.**

## Accessoires en option



**AVERTISSEMENT :** *comme les accessoires autres que ceux offerts par DeWALT n'ont pas été testés avec ce produit, leur utilisation avec cet appareil pourrait être dangereuse. Pour réduire tout risque de dommages corporels, seuls des accessoires DeWALT recommandés doivent être utilisés avec cet appareil.*

Veillez consulter votre revendeur pour plus d'informations sur les accessoires appropriés.

## Protection de l'environnement



*Tri sélectif. Les produits marqués de ce symbole ne doivent pas être jetés avec les déchets ménagers.*

Les produits contiennent des matières qui peuvent être récupérées et recyclées afin de réduire la demande en matières premières. Veillez à recycler les produits électriques conformément aux prescriptions locales en vigueur. Pour obtenir plus de précisions, consultez le site [www.2helpU.com](http://www.2helpU.com).



## ة بمناشير التخريم

## DWE349

## تهانينا!

لقد اخترت أداةً من إنتاج DeWALT. إن سنوات الخبرة الطويلة والتطوير الشامل للمنتجات والابتكار عوامل تجعل DeWALT واحدة من أكثر الشركاء اللذين يمكنك الاعتماد عليهم فيما يتعلق باستخدامي أدوات الطاقة الاحترافية.

البيانات الفنية

	DWE349-ZA	DWE349-B5	DWE349-B4	
النوع	1	1	1	
الجهد الكهربائي	230	240-220	127	فولت تيار متردد
خرج الطاقة	650	650	650	وات
التردد	50	50/60	60	هرتز
السرعة بدون حمل	3200-500	3200-500	3200-500	/بالدقائق
طول الطرقة	20	20	20	مم
ضبط زاوية الميل	0-45°	0-45°	0-45°	يسار / يمين
الوزن	2,4	2,4	2,4	كجم
عمق القص في:				
الخشب	85	85	85	مم
الالومنيوم	20	20	20	مم
الفولاذ المقاوم للصدأ (بخلاف السباتك)	10	10	10	مم



تحذير: لتقليل خطر حدوث الإصابات، يرجى قراءة دليل التعليمات.

## التعريفات: تعليمات الأمان

تصف التعريفات التالية مستوى أهمية كل كلمة تحذيرية، يرجى قراءة الدليل والانتباه لتلك الرموز.

- ⚠️ **خطر:** تشير هذه الكلمة إلى وجود حالة خطر وشيكة، وإذا لم يتم تفاديها، فقد تؤدي إلى الوفاة أو الإصابة الجسيمة.
- ⚠️ **تحذير:** تشير هذه الكلمة إلى وجود حالة خطر محتملة، وإذا لم يتم تفاديها، فقد تؤدي إلى الوفاة أو الإصابة الجسيمة.
- ⚠️ **تنبيه:** تشير هذه الكلمة إلى وجود حالة خطر محتملة، وإذا لم يتم تفاديها، فقد تؤدي إلى حدوث إصابة بسيطة أو متوسطة.
- ⚠️ **ملاحظة:** تشير إلى ممارسة غير متعلقة بإصابة شخصية، إذا لم يتم تفاديها، فقد تؤدي إلى ضرر الممتلكات.
- ⚡ **تشير إلى خطر حدوث صدمة كهربائية.**
- 🔥 **تشير إلى خطر نشوب حريق.**

## تحذيرات الأمان العامة للأدوات الكهربائية

- 1 **أمان منطقة العمل**
  - أ احتفظ بمنطقة العمل نظيفة ومضاءة بطريقة جيدة. حيث أن المناطق المتكدسة بغير نظام أو المظلمة تؤدي إلى وقوع الحوادث.
  - ب لا تقم بتشغيل الأدوات الكهربائية في الأجواء المتفجرة، كأن يوجد بالمكان سوائل أو غازات أو غبار قابل للاشتعال. قد تؤدي الأدوات الكهربائية التي تحدث شرارات في اشتعال الأتربة أو الأبخرة.
  - ج أبق على الأطفال والشخص المشاهدين بعيداً أثناء تشغيل الأداة الكهربائية. فقد يؤدي تشتت الانتباه إلى فقدان سيطرتك.
- 2 **السلامة الكهربائية**
  - أ يجب أن يتوافق قابس الأداة الكهربائية مع مصدر التيار الكهربائي. لا تقم مطلقاً بإجراء تعديل على القابس بأي طريقة. لا تستخدم قابس المحول مع الأدوات الكهربائية المؤرقة لمر تأريضها، حيث ستقلل المقابس غير المعدلة ومصنار التيار الكهربائي المتطابقة من خطر حدوث صدمة كهربائية.
  - ب تجنب ملامسة الجسم مع الأسطح الأرضية أو المؤرقة كالألوانب والمشعاع والموقد والتلجعات. حيث يوجد خطر منزائد من حدوث صدمة كهربائية إذا كان جسداً مؤرضاً أو ثابتاً على الأرض.
  - ج لا تعرض الأدوات الكهربائية للمطر أو البلل. إذ سيؤدي الماء الذي يدخل الأداة الكهربائية إلى زيادة خطر حدوث صدمة كهربائية.
  - د لا تستخدم الكبل بطريقة خاطئة. لا تستخدم مطلقاً السلك من أجل حمل الأشياء أو سحبها أو لنزع قابس الأداة الكهربائية. أبعد السلك عن الحرارة أو الزيوت أو الحواف الحادة أو الأجزاء المتحركة. إذ تزيد الأسلاك التالفة أو المتشابكة من خطر حدوث صدمة كهربائية.
  - ه عند تشغيل الأداة الكهربائية خارج المنزل، استخدم سلك استتالة ملائم للاستخدام في الأماكن الخارجية. حيث إن استخدام السلك الملائم للاستخدام الخارجي يقلل من خطر حدوث صدمة كهربائية.
  - و إذا لم يكن هناك مفر من تشغيل الأداة الكهربائية في أحد الأماكن الرطبة، فاستخدم مصدر إمداد محمي بجهاز قاطع الدورة (RCD). استخدم جهاز التيار المتبقي يقلل من حدوث الصدمة الكهربائية.
- 3 **السلامة الشخصية**
  - أ ابق حذرًا وراقب ما تقوم بفعله واستعن بالحواس العامة عند تشغيل الأداة الكهربائية. لا تستخدم الأداة الكهربائية عندما تكون متعباً أو تحت تأثير المخدرات أو الكحول أو الأدوية. قد تؤدي أي لحظة من السهو أثناء تشغيل الأدوات الكهربائية إلى حدوث إصابة جسيمة.
  - ب استخدم معدات الوقاية الشخصية. قم دوماً بارتداء واقي العينين، إذ أن استخدام معدات الوقاية مثل كامات الأتربة، وأحذية الأمان المانعة للانزلاق، والخوذة الصلبة، أو واقي الأذن للحالات ذات الصلة سيقلل من الإصابات الشخصية.
  - ج تجنب التشغيل العرضي. تأكد من أن المفتاح في وضع إيقاف التشغيل قبل التوصل بمصدر الطاقة، و/ أو مجموعة البطارية، أو التقاط أو حمل الأداة. حيث قد يؤدي حمل الأدوات الكهربائية أثناء وجود إصبعك على المفتاح أو إمداد الأدوات الكهربائية التي يكون مفتاحها بوضع التشغيل بالكهرباء إلى وقوع الحوادث.
  - د قم بإخراج أي مفتاح ضبط أو مفتاح ربط قبل تشغيل الأداة الكهربائية. فقد يؤدي ترك مفتاح الربط أو المفتاح بالجوز الدوار بالأداة الكهربائية إلى حدوث إصابة شخصية.
  - ه تجنب مد يدك بعيداً بالهजार. حافظ على ثبات موضع قدمك والتوازن طيلة الوقت. إذ يساعدك ذلك على التحكم بشكل أفضل في الأداة الكهربائية في المواقف الفجائية.

- ارتد الملابس المناسبة. تجنب ارتداء ملابس أو مجوهرات فضفاضة. أبعاد الشعر والملابس والقفازيات عن الأجزاء المتحركة. فقد تحترق الملابس أو المجوهرات الفضفاضة أو الشعر الطويل في الأجزاء المتحركة.
- في حال توفير الأجهزة للتوصيل بوسائل استخلاص وتجميع الأتربة، فتأكد من توصيلها واستخدامها بطريقة صحيحة. حيث أن تجميع الأتربة قد يؤدي إلى تقليل المخاطر المتعلقة بالأتربة.
- لا تدع الخبرة المكتسبة من الاستخدام المتكرر للأدوات تدفعك إلى الإهمال وتجاهل مبادئ سلامة الأداة. فقد يتسبب أي إجراء غير حذر إلى وقوع إصابات خطيرة في جزء من الثانية.

#### 4 استخدام الأداة الكهربائية والعناية بها

- أ لا تتعامل بالقوة مع الأداة الكهربائية. استخدم الأداة الكهربائية الملائمة لغرض الاستخدام الخاص بك. حيث ستجرب الأداة الكهربائية الملائمة المهمة بشكل أفضل وأكثر أماناً عند المعدل الذي صممت من أجله.
- ب لا تستخدم الأداة الكهربائية إذا كان المفتاح لا يقوم بالتشغيل وإيقاف التشغيل. حيث تشكل أي أداة كهربائية لا يمكن التحكم فيها بواسطة المفتاح خطورة ويجب إصلاحها.

- ج قم بفصل القابس من مصدر الطاقة و/أو مجموعة البطارية، إذا كانت قابلة للفصل، من الأداة الكهربائية قبل إجراء أي عمليات ضبط أو تغيير ملحقات أو تخزين الأدوات الكهربائية. تقلل إجراءات السلامة الوقائية هذه من خطر تشغيل الأداة الكهربائية بشكل فجائي.

- د قم بتخزين الأدوات الكهربائية المتوقفة عن العمل بعيداً عن متناول الأطفال ولا تدع الأشخاص غير الملمين بالأداة الكهربائية أو بهذه التعليمات يقومون بتشغيل الأداة الكهربائية. إذ تعد الأدوات الكهربائية مصدر خطورة في أيدي المستخدمين غير المدربين على استخدامها.

- ه حافظ على الأدوات الكهربائية والملحقات. افحص للتحري عن أي محاذرة غير صحيحة أو تقييد للأجزاء المتحركة، أو كسر بالأجزاء وأي حالات أخرى قد تؤثر على تشغيل الأداة الكهربائية. وفي حال وجود تلف، قم بإصلاح الأداة الكهربائية قبل الاستخدام. حيث يرجح سبب وقوع العديد من الحوادث إلى الصيانة السيئة للأدوات الكهربائية.

- و حافظ على أدوات القطع في حالة حادة ونظيفة. حيث أن أدوات القطع التي تترصصها بطريقة صحيحة ومزودة بحواف قطع حادة تتعرض بشكل أقل للالتصاق ويسهل التحكم بها على نحو أكبر.

- ز استخدم الأداة الكهربائية والملحقات ولقهر الأداة وما شابه ذلك وفقاً لهذه التعليمات مع الأخذ في الاعتبار ظروف التشغيل والعمل المراد تنفيذه. إذ أن استخدام الأداة الكهربائية لعمليات مختلفة عن تلك العمليات المخصصة لها قد يؤدي إلى حالة خطيرة.

- ح حافظ على جفاف المقابض والمفاتيح ونظافتها وخلوها من الزيت والشحور. فالمقابض الزلقة والأسطح المنلصقة لا تتيح الحصول على تعامل آمن وتحكم كامل في الأداة في المواقف الفجائية.

#### 5 استخدام أداة البطارية والعناية بها الخدمة

- أ قم بصيانة الأداة الكهربائية الخاصة بك على يد فني إصلاح مؤهل وذلك من خلال استخدام أجزاء بديلة متطابقة فقط. حيث سيضمن ذلك الحفاظ على أمان الأداة الكهربائية.

#### تحذيرات السلامة الإضافية الخاصة بمناسير التخريم

- قم بإسلاك الأداة الكهربائية بواسطة أسطح الإسك المعزولة عند تنفيذ العملية حيث قد يتلامس ملحق القطع مع الأسلاك الخفية أو السلك الخاص بها. قد يتسبب تلامس ملحق القطع مع السلك "الموصل كهربياً" في جعل الأجزاء المعدنية المكشوفة من الأداة الكرية "موصلة كهربياً" وتعرض المشغل للصعق الكهربائي.
- استخدم المشابك أو أي وسيلة عملية أخرى لتثبيت ودعم قطعة العمل على منصة عمل ثابتة. الإسك بقطعة العمل بواسطة اليد أو على الجسد يجعلها غير ثابتة وبالتالي قد يؤدي ذلك إلى فقدان التحكم.

- ضع يديك بعيداً عن منطقة القطع. لا تفرديك إلى أسفل قطعة العمل لأي سبب من الأسباب. لا تدخل أصابعك أو إبهامك في محيط الشفرة الترددية ومشبك الشفرة. لا تثبت المنشار عن طريق الإمساك بالكعب.
- حافظ على الشفرات حادة. قد تؤدي الشفرات غير الحادة أو التالفة إلى انحراف المنشار أو توقفه تحت الضغط. استخدم دوماً النوع المناسب من شفرة المنشار لمواد قطعة العمل ونوع القطع.
- عند قطع الأنابيب أو القنوات، تأكد من خلوها من الماء والأسلاك الكهربائية، وما إلى ذلك.
- لا تلمس قطعة العمل أو النصل مباشرة بعد تشغيل الأداة. يمكن أن تصعب هذه الأجزاء ساخنة للغاية.
- كن على دراية بالمخاطر الخفية، قبل القطع في الجدران والأرضيات أو الأسقف، وتحقق من موقع الأسلاك والأنابيب.
- ستستمر الشفرة في التحرك بعد تحرير المفتاح. قم دائماً بإيقاف تشغيل الأداة وانتظر حتى تصل شفرة المنشار إلى حالة توقف تام قبل ترك الأداة.

#### المخاطر المتبقية

- على الرغم من تطبيق تعليمات السلامة ذات الصلة والتزود بأجهزة الأمان، إلا أنه لا يمكن تفادي بعض المخاطر المتبقية المحددة. وتشمل هذه المخاطر ما يلي:
- ضعف السمع.
- خطر التعرض للإصابة الشخصية بسبب الجسيمات المتطايرة.
- خطر التعرض للحروق بسبب سخونة الملحقات أثناء التشغيل.
- خطر التعرض لإصابة شخصية بسبب الاستدحام المطول.

#### السلامة الكهربائية

- تم تصميم المحرك الكهربائي لتحمل جهد كهربائي واحد فقط. تأكد دوماً من أن مصدر إمداد الطاقة مطابق للجهود الكهربائي المبين على لوحة التصنيف.



جودزي رزاج DEWALT نر كب صاخلا ةأدألا ديوزت مرت يضرألا كلسلال ةجالح ال اذل، EN62841 راي عمل أقرب



- تحذير: يجب تشغيل الوحدات بقدرة 127 فولت من خلال محول العزل الامن من التعطل مع شاشة التأريض بين اللغات الرئيسية وغير الرئيسية.

- في حالة استبدال السلك أو القابس في الالة، يجب أن تتم عملية الإصلاح من قبل مركز خدمة معتمد أو فني مؤهل.

#### استبدال قابس التيار الرئيسي (الشرق الأوسط وإفريقيا)

إذا استدعت الضرورة تركيب قابس تيار رئيسي، فقم بالتالي:

- تخلص بأمان من القابس القديم.
- قم بتوصيل السلك البني بطرف التوصيل النشط في القابس.
- قم بتوصيل السلك الأزرق بطرف التوصيل المحايد.



تحذير: لا يتم إجراء أي توصيل بطرف التوصيل الأرضي.

قم باتباع التعليمات الواردة مع القوايس ذات الجودة العالية المنصهر الموصى باستخدامه: 13 أمبير.

#### استخدام كابل الاستطالة

- إذا استدعت الضرورة استخدام كابل استطالة، فاستخدم كابل استطالة معتمد ملائم لدخل طاقة هذه الأداة، انظر البيانات الفنية). الحد الأدنى لجرم الموصل هو 1,5 مم² الطول الأقصى هو 30 م.

عند استخدام بكرة الكابل، قم دوماً بفك الكابل تماماً.

المعرفة أو المهارات ما لم يكونوا تحت إشراف من يتحمل مسؤولية سلامتهم. لا ينبغي أن يُترك الأطفال وحدهم مع هذا المنتج.

## محتويات العبوة

تحتوي العبوة على ما يلي:

1. منشار التخريم
1. شفرة منشار التخريم
1. غطاء الكعب المقاوم للخدوش
1. دليل التعليمات
- افحص بحثاً عن أي تلف لحق بالأداة أو الأجزاء أو الملحقات يمكن أن يكون قد حدث أثناء النقل.
- خذ الوقت اللازم لقراءة هذا الدليل وافهمه جيداً قبل التشغيل.

## عمليات التجميع والضبط



**تحذير:** لتقليل خطر التعرض للإصابة الشخصية الجسيمة، **قمر بإيقاف تشغيل الأداة وفصل مجموعة البطارية قبل إجراء أي عمليات ضبط، أو إزالة/تركيب الملحقات أو الإكسسوارات.** قد يؤدي بدء التشغيل غير المقصود إلى حدوث إصابة.

## تركيب الشفرة (الشكل B)



**تحذير:** عند تركيب شفرة المنشار، ارتد قفازات واقية. هناك خطر الإصابة عند لمس شفرة المنشار.



**تحذير:** لا تستخدم شفرات إلا من النوع T. يؤدي استخدام الشفرات بخلاف الشفرات من النوع T إلى ربط غير كافٍ للشفرة، مما قد يؤدي إلى إصابة شخصية خطيرة.

1. ادفع ذراع قفل شفرة المنشار 3 لأعلى.
2. مع توجيه الأسنان للأمام، أدخل ساق شفرة المنشار في حامل الشفرة إلى أقصى حد ممكن.
3. حرر الذراع.
4. تحقق للتأكد من أن الشفرة محكمة التثبيت قبل القطع. يمكن أن تسقط شفرة المنشار غير محكمة التثبيت مما قد يؤدي إلى التعرض للإصابة.

## ضبط الكعب لعمليات القطع بميل (الشكل C)



**تحذير:** لا تستخدم الأداة أبداً عندما يكون الكعب فضفاضاً أو منزوعاً. يمكن ضبط لوحة الكعب على زاوية مائلة لليسار أو اليمين بما يصل إلى 45 درجة.

### ضبط زاوية الميل

1. اسحب ذراع إمالة الكعب 7 بعيداً عن المنشار لفتح الكعب 6 كما هو موضح في الشكل C.
2. حرك الكعب للأمام لتحريره من وضع التوقف الإيجابي بزاوية 0 درجة.
3. يمكن أن يكون الكعب مائلاً لليسار أو اليمين وله حواجز عند 15 درجة و30 درجة و45 درجة.
4. اضبط الكعب على زاوية الميل المطلوبة. استخدم منقلة للتحقق من دقة الزاوية.
5. ادفع ذراع إمالة الكعب للخلف باتجاه المنشار لقفل الكعب.

### إعادة ضبط الكعب من أجل عمليات القطع المستقيمة

1. اسحب ذراع إمالة الكعب 7 بعيداً عن المنشار لفتح الكعب 6 كما هو موضح في الشكل C.
2. قمر بتدوير الكعب بزاوية 0 درجة تقريباً ثم اسحب الكعب للخلف لتفعيل نقطة التوقف الإيجابية عند 0 درجة.
3. ادفع ذراع إمالة الكعب للخلف باتجاه المنشار لقفل الكعب.

## تعليمات الاستخدام



**تحذير:** التزم دوماً بتعليمات الأمان واللوائح المعمول بها.



**تحذير:** لتقليل خطر التعرض للإصابة الشخصية الجسيمة، **قمر بإيقاف تشغيل الأداة وفصل مجموعة البطارية قبل إجراء أي عمليات ضبط، أو إزالة/تركيب الملحقات أو الإكسسوارات.** قد يؤدي بدء التشغيل غير المقصود إلى حدوث إصابة.



**تحذير:**

- تأكد من أن قطعة العمل الخاصة بك مثبتة جيداً. قمر بإزالة المسامير، والبراغي، وأدوات التثبيت الأخرى التي قد تلتف الشفرة.
- تأكد من وجود مساحة كافية للشفرة تحت قطعة العمل.
- لا تقم بقطع المواد التي تتجاوز الحد الأقصى لقطع الشفرة.
- استخدم شفرات المنشار الحادة فقط. يجب إزالة شفرات المنشار التالفة أو المتلوية على الفور.

## علامات على الأداة

الصور التالية موضحة على الأداة:



اقرأ دليل التعليمات قبل الاستخدام.



قمر بارتداء واقيات الأذن.



قمر بارتداء واقيات العين.

## وضع كود التاريخ (الشكل A)

كود التاريخ 11 الذي يتضمن كذلك عام التصنيع، مطبوع في الغلاف. مثال:

2019 XX XX

سنة التصنيع

## الوصف (الشكل A)



**تحذير:** لا تقم مطلقاً بتعديل الأداة الكهربائية أو أي جزء منها. فقد ينجم عن ذلك التلف أو الإصابة الشخصية.

1. مفتاح التشغيل/ إيقاف التشغيل
2. زر تشغيل القفل
3. ذراع قفل شفرة المنشار
4. شفرة المنشار
5. جلبة الكعب
6. الكعب
7. ذراع إمالة الكعب
8. قرص التحكم السريع
9. محدد طريقة الهزاز
10. حامل الشفرة

## الاستخدام المقصود

لقد تم تصميم منشار التخريم الخاص بك للاستخدام في تطبيقات النشر الاحتراقية. لقد تم تصميم منشار التخريم من DeWALT، أو DWE349، لنشر الخشب والبلاستيك والمعادن والمطاط ولوحات السيراميك.

**لا تستخدمه في ظل الأحوال الجوية الممطرة، أو في وجود السوائل أو الغازات القابلة للاشتعال.**

تعد هذه المناشير أدوات كهربائية متقدمة.

**لا تدع الأطفال يلعبون بالأداة.** يكون الإشراف أمراً ضرورياً عندما يقوم مشغل قليل الخبرة باستخدام هذه الأداة.

• هذا المنتج غير مخصص للاستخدام من قبل الأفراد بما في ذلك الأطفال الذين يعانون من قصور في القدرات الجسدية أو الحسية أو العقلية، وقلة الخبرة أو

3. أما المواضع 1 و 2 و 3 فخاصة بالقطع المداري.  
تزداد قوة القطع مع نقل الذراع من 1 إلى 3، حيث يعد الخيار 3 هو أقوى خيارات القطع.

### جلبة الكعب القابلة للإزالة (الشكل F)

يجب أن يتم استخدام جلبة الكعب المضادة للتشوه 5 عند قطع الأسطح التي تتعرض للخدوش بسهولة، مثل الألواح أو قشرة الخشب أو الطلاء. كما يمكن استخدامها كذلك لحماية سطح الكعب أثناء النقل والتخزين.

لتوصيل جلبة الكعب، ضع الجزء الأمامي من الكعب 6 في مقدمة جلبة الكعب وقرم بخفض منشار التخريم كما هو موضح في الشكل F. يتم تثبيت جلبة الكعب بإحكام على مؤخرة الكعب مصدرة صوتاً.

للإزالة جلبة الكعب، امسك الجلبة من الجزء السفلي عند اللسانين الخلفيين وإسحبها لأسفل مبتعداً عن الكعب.

### تلميحات للاستخدام الأمثل

#### نشر الصفائح

- عندما تقطع شفرة المنشار باستخدام الشوط لأعلى، قد تحدث شقوق على السطح بالقرب من لوحة الكعب.
- استخدم شفرة منشار ذات أسنان ضيقة.
- انشر من السطح الخلفي لقطعة الشغل.
- لتقليل الشقوق، قمر بتثبيت قطعة من الخشب الخردة أو الألواح الصلبة على جانبي قطعة العمل وقرم بالنشر أثناء حشر قطعة العمل بينهما.

#### نشر المعادن

- كن على علم بأن نشر المعادن يستغرق وقتاً أطول بكثير من نشر الأخشاب.
- استخدم شفرة المنشار المناسبة لنشر المعادن.
- عند قطع المعادن الرقيقة، قمر بتثبيت قطعة من خشب الخردة على السطح الخلفي لقطعة العمل وقرم بالنشر أثناء حشر قطعة العمل بتلك الطريقة.
- افرط طبقة زيت رقيقة على طول خط القطع المستهدف لتسهيل التشغيل وإطالة عمر الشفرة. لقطع الألومنيوم، يفضل استخدام الكربوسين.

### القطع بالتمزيق / القطع الدائري (الشكل G, H)

يمكن تنفيذ القطع بالتمزيق والقطع الدائري بدون خط قلم باستخدام حاجز التمزيق / موجه الدائرة غير مضمن؛ متاح بتكلفة إضافية).

باستخدام البرغي المرفق مع موجه الإكسسوار، ضع البرغي ولفه في الكعب لتثبيت الحاجز بإحكام.

عند القطع بالتمزيق، حرّك حاجز القطع بالتمزيق تحت البرغي من أي جانب من جانبي المنشار. اضبط القضيب العرضي على المسافة المرغوب فيها من الشفرة، ثم اربط البرغي. عند القطع بالتمزيق، يجب أن يكون القضيب العرضي لأسفل وفي مقابل الحافة المستقيمة لقطعة العمل.

أثناء إجراء القطع الدائري، اضبط حاجز التمزيق بحيث تكون المسافة من الشفرة إلى الفتحة في ذراع الحاجز مساوية للقطر المرغوب فيه ثم اربط البرغي. ضع المنشار بحيث تكون الفتحة الموجودة في ذراع الحاجز فوق منتصف الدائرة المطلوب قطعها اتقب فتحة للشفرة أو اقطع للدخال من حافة المادة لتوصيل الشفرة إلى موضعها). عندما يتم وضع المنشار في المكان المناسب، قمر بتثبيت مسمار صغير عبر الفتحة في ذراع الحاجز. باستخدام حاجز التمزيق كذراع محوري، ابدأ قطع الدائرة. للقطع الدائري، يجب أن يكون القضيب العرضي لأعلى.

### الصيانة

تم تصميم الأداة الكهربائية DEWALT الخاصة بك للعمل خلال فترة زمنية طويلة مع أدنى حد من الصيانة. يعتمد التشغيل المرضي المتواصل على العناية الملائمة بالأداة وتنظيفها بشكل منتظم.

**تحذير:** لتقليل خطر التعرض للإصابة الشخصية، قمر بإيقاف تشغيل الأداة وفصل مجموعة البطارية قبل إجراء أي عمليات ضبط، أو إزالة/تركيب الملحقات أو الإكسسوارات. قد يؤدي بدء التشغيل غير المقصود إلى حدوث إصابة.

- لا تستخدم الأداة لنشر الأنابيب بفتحة واحدة أو الأنابيب بفتحتين.
- لا تقم مطلقاً بتشغيل الأداة الخاصة بك بدون شفرة المنشار.
- للحصول على نتائج مثالية، قمر بتحريك الأداة بسلاسة وبشكل ثابت فوق قطعة العمل. لا تمارس ضغطاً على أحد جانبي شفرة المنشار. حافظ على الكعب مسطح على قطعة العمل وتوجيه السلك بعيداً مع محاذاة الأداة. عند نشر الأشياء ذات الأشكال المنحنية أو الدائرية أو الدائرية الأخرى، قمر بدفع الأداة للأمام برفق.
- انتظر حتى تتوقف الأداة تماماً قبل إزالة شفرة المنشار من قطعة العمل. بعد النشر قد تصبح الشفرة ساخنة للغاية. لا تلمسها.

### الوضع المناسب لليد (الشكل D)

**تحذير:** لتقليل خطر التعرض للإصابة الجسدية البالغة، استخدم دوماً الوضع اليدوي الصحيح كما هو موضح.

**تحذير:** لتقليل خطر التعرض للإصابة الجسدية البالغة، قمر دوماً بالإمساك الجيد تحسباً لأي رد فعل مفاجئ.

يتطلب الوضع اليدوي الملائم استخدام يد واحدة على المقبض الأمامي 13، مع وجود اليد الأخرى على المقبض الرئيسي 13.

### التشغيل وإيقاف التشغيل (الشكل A)

- لتشغيل الأداة، اضغط على مفتاح المشغل (1).
- للتشغيل المستمر، اضغط على مفتاح المشغل ثم حرر زر تشغيل القفل (2). بمجرد تحرير زر تشغيل القفل، حرر مفتاح المشغل.
- لإيقاف تشغيل الأداة، حرر مفتاح المشغل. لإيقاف تشغيل الأداة، أثناء التشغيل المستمر، اضغط على زر المشغل حيث يتم فك تشعيق القفل.

### التحكم في السرعة المتغيرة (الشكل E)

**تحذير:** إذا تم تشغيل الأداة بشكل مستمر على سرعات منخفضة لفترة طويلة، فسيؤدي ذلك إلى التحميل على المحرك وارتفاع درجة حرارته.

يوجد قرص للتحكم في السرعة 8 فوق المنشار. تزداد السرعة مع إدارة القرص من إعداد السرعة المنخفضة 1 إلى إعداد السرعة العالية 6.

ارجع إلى الجدول لتحديد السرعة المناسبة لقطعة العمل المطلوب قطعها. ومع ذلك، قد تختلف السرعة المناسبة حسب نوع أو سمك قطعة العمل. بشكل عام، ستسمح لك السرعات الأعلى بقطع قطع العمل بشكل أسرع ولكن سيمنع تقليل عمر الخدمة للشفرة.

إعداد التحكم في السرعة المتغيرة	المادة
5-6	الخشب
3-4	صلب غير قابل للصدأ
3-6	الفولاذ اللين
3-6	الألومنيوم
1-4	البلاستيك

### إجراء القطع - مداري أو مستقيم (الشكل A)

**تحذير:** تحقق من أن الأداة ليست قيد التشغيل قبل توصيلها بمصدر طاقة. إذا كان مفتاح التشغيل قيد التشغيل عندما يتم توصيل الأداة بمصدر الطاقة، فستبدأ في العمل على الفور. قد يؤدي ذلك إلى حدوث تلف في الأداة أو التعرض لإصابة شخصية.

منشار التخريم هذا مزود بأربعة إجراءات للقطع، ثلاثة منها للقطع المداري وواحد للقطع المستقيم. تتميز الحركة المدارية بحركة أكثر للشفرة قوة، وهي مصممة لقطع المواد اللينة مثل الخشب أو البلاستيك. وتتوقف الحركة المدارية قطعاً أسرع، ولكن يكون القطع أقل سلاسة عبر المادة التي يتم قطعها. في الحركة المدارية، تتحرك الشفرة للأمام أثناء شوط القطع بالإضافة إلى الحركة لأعلى ولأسفل.

ملاحظة: يجب عدم قطع المعادن أو الأخشاب الصلبة باستخدام الحركة المدارية على الإطلاق.

ضبط شوط البندول

1. حرّك محدد شوط البندول 9 بين مواضع القطع الأربعة: 0 و 1 و 2 و 3.
2. الموضع 0 خاص بالقطع المستقيم.



## التشحيم

لا تحتاج الأداة الكهربائية الخاصة بك إلى أي تشحيم إضافي.



## التنظيف

**تحذير:** قم بنفخ الأتربة والغبار خارج التجويف الرئيسي بواسطة الهواء الجاف عدد أكبر من المرات في حال مشاهدة تجمع الأتربة بداخل المنافذ الهوائية وحولها. قم بارتداء واقي العين المعتمد وكمامة الأتربة المعتمدة عند تنفيذ هذا الإجراء.

**تحذير:** لا تقم مطلقًا باستخدام مذيبات أو أي مواد كيميائية قاسية أخرى لتنظيف الأجزاء غير المعدنية بالأداة. إذ قد تضعف هذه المواد الكيميائية من المواد المستخدمة في هذه الأجزاء. استخدم قطعة قماش مبللة بالماء والصابون الخفيف فقط. لا تسمح قط بدخول أي سائل إلى الأداة، ولا تقم مطلقًا بغمر أي جزء من الأداة في السائل.

## الملحقات الاختيارية

**تحذير:** نظرًا لأن الملحقات، بخلاف تلك التي اعتمدها DeWALT، لم تخضع للاختبار مع هذا المنتج، فإن استخدام مثل هذه الملحقات مع الأداة قد يشكل خطورة. لتقليل خطر وقوع إصابة، يجب استخدام ملحقات DeWALT الموصى بها فقط مع هذا المنتج.

استشر وكيلك لمعرفة المزيد من المعلومات حول الملحقات الملائمة.

## حماية البيئة

التجميع المنفصل. يجب عدم التخلص من المنتجات والبطاريات المحددة بهذا الرمز من خلال القمامة المنزلية العادية. فهذه المنتجات والبطاريات تحتوي على مواد يمكن استعادتها أو إعادة تدويرها لخفض الطلب على المواد الخام. الرجاء التخلص من المنتجات الكهربائية والبطاريات وفقًا للقوانين المحلية. توجد معلومات إضافية متوفرة على الموقع [www.2helpU.com](http://www.2helpU.com)





<b>Afghanistan</b>	Ariana Hafiz Zabi Co. Ltd. Dahan Bagh Squire Karte Ariana, Kabul, Afghanistan	info@arianahafiz.com	Tel: 93-0-799331079 Fax: 93-0-700007576 / 93-0-799331079
<b>Algeria</b>	Sarfi Outilage Corporation 08, Rue Med Boudiaf (ex TELLA Achen) Cheraga, Alger	hakim.merdjadi@outilage-dz.com lyes@outilage-dz.com Mali.faiza@outilage-dz.com; sidahmed@outilage-dz.com	Tel: 213-0-21375130 213-0-21375131 Fax: 213-0-21369667
<b>Angola</b>	Angoferraria, Lda. Rua Robert Shields, nº 61, Luanda, Angola	angoferraria@gmail.com sequeira.angoferraria@gmail.com	Tel: 244-222-395837 / 244-222-395034 Fax: 244-222-394790
<b>Azerbaijan</b>	Royalton Holdings Ltd. 41 Khagani St. Apt. 47 AZ1001 Baku- Azerbaijan	jai@royaltonholdings.com office@royaltonholdings.com	Tel: 994-12-4935544 Fax: 994-12-5980378
<b>Egypt</b>	ElFarab S.A.E. 15-Nabil El Wakkad Street, Dokki, Giza, Egypt	elfarab@elfarab.com adel.ezzat@elfarab.com mahmoud.elhosseiny@elfarab.com	Tel: 202-37603946 Fax: 202-33352796
<b>Ethiopia</b>	Seif Tewfik Sherif Arada Sub City, Kebele 01/02, Global Insurance Bldg., 2nd Flr., Room 43, P.O. Box 2525, Addis Ababa	seif@ethionet.et nawanag@ethionet.et	Tel: 251-11-1563968 251-11-1563969 Fax: 251-11-1558009
<b>Iraq</b>	Al-Sard Co. for General Trading Ltd Jbara Bldg. 3Flr. Al Rasheed St., Baghdad, Iraq	dewalt.service@yahoo.com	Tel: 964-18184102
<b>Jordan</b>	Amman West Stores- Baschiti 210 Garden St. Tla'a Ali, P.O. Box 1564 Tla Ali Amman 11953, Jordan	ali@bashitstores.com yousef@bashitstores.com	Tel: 962-6-5350009 Fax: 962-6-5350012
<b>Kenya</b>	Dextron Tools Ltd. P.O. Box 20121-00200, Shariff House, Kimathi Street, Nairobi	info@alibhaishariff.co.ke dextron@alibhaishariff.co.ke	Tel: 254-20-6905000 254-20-2358021 Fax: 254-20-6905111 / 254-20-6905112
<b>Lebanon</b>	Est. Shaya & Azar S.A.R.L. Boulevard Jdeideh - Mar Takla - Bouchrieh . P.O. Box 90545, Jdeideh. Beirut - Lebanon	shayazar@dm.net.lb	Tel: 961 1 872305 961 1 872306 Fax: 961 1 872303
<b>Libya</b>	North Africa Trading (El Ghoul Brothers) P.O. Box 348, 7 October Street 11 Benghazi	maryam_farooq2003@yahoo.com nagte@eim.ae dewalt_libya@yahoo.com	Tel: 218-061-3383994 Fax: 218-092-7640688
	North Africa Trading (El Ghoul Brothers) AlBarniq DeWALT Center, Mokhazin-elsukar St. ElFallah, Tripoli	dewalt_libya@yahoo.com	Tel: 218-021-3606430 Fax: 218-092-6514813
	North Africa Trading (El Ghoul Brothers) AlHilal Service Center Tawergha St., Misurata		Tel: 218-091-3221408
<b>Mauritius</b>	Robert Le Marie Limited Old Moka Road, Bell Village, P.O. Box 161, Port Louis	a.blackburn.rlm@ringroup.mu jm.pierelouis.rlm@ringroup.mu	Tel: 230-212 1865 230-212 2847 Fax: 230-2080843
<b>Morocco</b>	Ets Louis Guillaud & Cie 31, Rue Pierre Parent, Casablanca - 21000	boumadiane.azedine@elg.ma doukhal.marouane@elg.ma	Tel: 522-301446 / 305971 / 317815 / 315576 Fax: 522-444518 / 317888
<b>Nigeria</b>	Meridian Power Tools Ltd. Gr. Floor, #1 Alhaji Masha Rd, Next to Teslim Balogun Stadium, Near National Stadium Surulere, Lagos, Nigeria	braj@meridian-nigeria.com	Tel: 234-1-7740431 234-1-7740410 Fax: 234-1-7913798
<b>Pakistan</b>	Northern Toolings (Pvt) Ltd.-Lahore 86- Railway Road, Lahore - 7 Pakistan	zhayee@northern.pk import@northern.pk sales@northern.pk	Tel: 92-423-7651220 92-423-7641675 Fax: 92-423-7641674
	Northern Toolings (Pvt) Ltd.-Karachi 224-231 Industrial Town Plaza, Shahrah-e-Liaqat, Karachi, Pakistan	karachibr@northern.pk	Tel: 92-213-2465305 92-213-2465307 Fax: 92-213-2465301
	Northern Toolings (Pvt) Ltd.-Taxila Al-Rehman Plaza, Opposite Tehsil Court, Faisal Shaheed Road, Taxila	taxilabr@northern.pk	Tel: 92-51-4545811 Fax: 92-51-4544194
<b>South Africa</b>	Benray Tool Wholesalers C.C. 91 Turfontein Road, Stafford, Johannesburg, 2001 P.O. Box 260037 EXCOM 2023, South Africa	dewalt.service@benray.co.za zain@benray.co.za shafiq@benray.co.za	Tel: 27-11-6838350 Fax: 27-11-6837456
<b>Tanzania</b>	General Motors Investment Ltd. 14 Vingunguti-Nyerere Road, P.O.Box 16541, Dar es Salaam, Tanzania	ezraz@gmi-tz.com info@gmi-tz.com chiwelesa@yahoo.com	Tel: 255-22-2865022 / 2862661 / 2862671 / 2862659 Fax: 255-22-2862667
<b>Tunisia</b>	Ets. Mohamed Ghorbel 03 Rue 8603 Charguia I Tunis. Postal Code 2035	slim.ghorbel@gnet.tn moh.ghorbel@gnet.tn mourad.ghorbel@gnet.tn	Tel: 216-71794248 216-71793848 Fax: 216-71770759
<b>Uganda</b>	The Building Center (21 ) Ltd. 52 Station Road, Kitgum House, P.O. Box 7436 Kampala, Uganda	tbc@africaonline.co.ug chris@tbcu.co.ug	Tel: 256-041-4234567 256-041-4259754 Fax: 256-041-4236413
<b>Yemen</b>	Middle East Trading Co. (METCO) 5th Flr.Hayel Saeed Anam Bldg. Al-Mugamma St. Taiz, Yemen	tamer.metco@gmail.com tamer@metcotrading.com metco@metcotrading.com sami@metcotrading.com	Tel: 967-4-213455 Fax: 967-4-219869
	Middle East Trading Co. (METCO) Mualla Dakka, Aden	tamer.metco@gmail.com tamer@metcotrading.com metco@metcotrading.com	Tel: 967-2-222670 Fax: 967-2-222670
	Middle East Trading Co. (METCO) Hayel st., Sana'a, Yemen	tamer.metco@gmail.com tamer@metcotrading.com metco@metcotrading.com	Tel: 967-1-204201 Fax: 967-1-204204

<b>UAE</b>	Black & Decker (Overseas) GmbH P.O. Box 5420, Dubai	service.mea@blackdecker.com	Tel: 971-4 8127400 / 8127406 Fax: 971-4 2822765	
	Ideal Star Workshop Eqpt. Trading LLC P.O. Box 37116, Al Quoz, Dubai	idealeq@emirates.net.ae	Tel: 971-4 3474160 Fax: 971-4 3474157	
	Alebrah Engineering Service P.O. Box 78954, Al Qusais, Dubai	alebrah@eim.ae	Tel: 971-4 2850044 Fax: 971-4 2844802	
	Burj Al Madeena Industrial Area No. 1, opp. Pakistani Masjid P.O. Box 37635, Sharjah	dewaltuae@hotmail.com	Tel: 971-6 5337747 Fax: 971-6 5337719	
	McCoy Middle East LLC P.O. Box 25793, Sharjah	mccoy@emirates.net.ae	Tel: 971-6 5395931 Fax: 971-6 5395932	
	McCoy Middle East LLC P.O. Box 10584, Ras Al Khaimah	mccoyrak@gmail.com	Tel: 971-7 2277095 Fax: 971-7 2277096	
	Al Sukoon Gen. Trdg. Co. LLC P.O. Box 2975, Ajman	sukoon@eim.ae	Tel: 971-6 7435725 / 7438317 Fax: 971-6 7437350	
	Zillion Equipment and Spare Parts Trading LLC P.O. Box 19740, opp. Bin Sadal / Trimix Redymix Sanaiya, Al Ain	zilliontrdg@gmail.com	Tel: 971-3 7216690 Fax: 971-3 7216103	
	Light House Electrical, Abu Dhabi Branch P.O. Box 120, Abu Dhabi	dewalt_lhe@hotmail.com	Tel: 971-2 6726131 Fax: 971-2 6720667	
	Light House Electrical, Musaffah Branch P.O. Box 120, Abu Dhabi	dewalt_lhe@hotmail.com	Tel: 971-2 5548315 Fax: 971-2 5540461	
	<b>Bahrain</b>	Alfouz Services Co. WLL P.O. Box 26562, Tubli, Manama	alfouz@batelco.com.bh	Tel: 973 17783562 / 17879987 Fax: 973 17783479
		Kavalani & Sons W.L.L. P.O. Box 71, Sitra, Manama	info@kavalani.com pradeep@kavalani.com	Tel: 973 17732888 Fax: 973 17737379
<b>Kuwait</b>	Al Omar Technical Co. P.O. Box 4062, Safat 13041, Kuwait	alexotc@usa.net	Tel: 965 24848595 / 24840039 Fax: 965 24845652	
	Fawaz Al Zayani Establishment P.O. Box 42426, Shop No.18, Al Humaizi Commercial Complex, Khalifa Al Jassim, Shuwaikh	dewaltkuwait@hotmail.com	Tel: 965 24828710 Fax: 965 24828716	
	Fawaz Al Zayani Establishment Fahaheel Industrial Area, Main St., Sanaya	dewaltkuwait@hotmail.com	Tel: 965 23925830 Fax: 965 24828716	
<b>Oman</b>	Al Jizzi Company LLC P.O. Box 1704, P.C. 112, Ruwi	aljizied@omantel.net.om jizzi10@omantel.net.om	Tel: 968 24832618 / 24835153 Fax: 968 24831334 / 24836460	
	Al Hassan Technical & Construction Supplies Co. LLC P.O. Box 1948, P.C. 112, Ruwi	hamriya.sr@al-hassan.com abrar.h@al-hassan.com	Tel: 968 24810575 / 24837054 Fax: 968 24810287 / 24833080	
	Oman Hardware Co. LLC P.O. Box 635, Ruwi Postal Code 112	omanhard@omantel.net.om	Tel: 968 24815131 Fax: 968 24816491	
	Khimji Ramdas P.O. Box 19, Post Code 100, Ghala, Muscat	bilal.m@khimjiramdas.com	Tel: 968 24595906/ 907 Fax: 968 24852752	
<b>Qatar</b>	Teyseer Industrial Supplies & Services Co. WLL 55, Al Wakalat St. (Between St. 18 & 19) Salwa Industrial Area, P.O. Box 40523 Doha	manish@tissoo-qatar.com tool.service@tissoo-qatar.com	Tel: 974 4581536 Fax: 974 4682024	
	Shaheen Electrical Works & Trading Co. WLL Gate 34, St. 44 Industrial Area P.O. Box 9756, Doha	shaheenelc@gmail.com	Tel: 974 460 02 30 / 460 05 25 Fax: 974 460 13 38	
<b>KSA</b>	Industrial Material Organization (IMO) P.O. Box 623, Rail Street, Riyadh	service@imo.com.sa	Tel: 966-1 4028010 Ext. 26 Tel: 966-1 8001245757 Fax: 966-1 4037970	
	Fawaz Ebrahim Al Zayani Trading Est. P.O. Box 76026, Al Raka : 31952	dewaltdammam@hotmail.com	Tel: 966-3 8140914 Fax: 966-3 8140824	
	MSS (Al-Mojil Supply & Services) P.O. Box 450, Jubail 31951	mssjubail@almojilservices.com alex.chang@almojilservices.com	Tel: 966-3 3612850 / 3624487 Tel: 966-3 3621729 Fax: 966-3 3623589 / 3620783	
	Opp-Gulf Bridge Library & Riyadh House			
	EAC (Al Yousef Contg. & Trdg. Est.) P.O. Box 30377, Jeddah -21477	golamkibria77@yahoo.com	Tel: 966-2 6519912 Fax: 966-2 6511153	
	Mohamed Ahmed Bin Afif Est. P.O. Box 530, Yanbu, Al Bahr	binaffiyanbu@hotmail.com	Tel: 966-4 3222626 / 3228867 Fax: 966-4 3222210	
	Garziz Trading for Bldg Mat & Decoration P.O. Box 3364, Madina	agarziz@yahoo.com	Tel: 966-4 826 14 90 / 822 76 36 Fax: 966-4 826 57 41	
	Sultan Garment Factory (RSC) P.O. Box 29912, Riyadh 11467	rscservice@dligi.net.sa	Tel: 966-1 4055148 / 4042889 Fax: 966-1 4055148	
	Al Bawardi Tools & Hardware P.O. Box 112, Dammam 31411	asattar@albawardi.com nibanez@albawardi.com	Tel: 966-3 8330780 Ext. 24 Tel: 966-3 8348585 Ext. 24 Fax: 966-3 8336303	
	Al Bawardi Tools & Hardware P.O. Box 68, Riyadh 11411	rbaltao@albawardi.com asamad@albawardi.com	Tel: 966-1 4484999 Fax: 966-3 4487877	
	Al Bawardi Tools & Hardware P.O. Box 16905, Jeddah 21474	sharadi@albawardi.com fgaber@albawardi.com	Tel: 966-2 6444547 / 6439035 Tel: 966-2 6456095 Fax: 966-2 6439024	