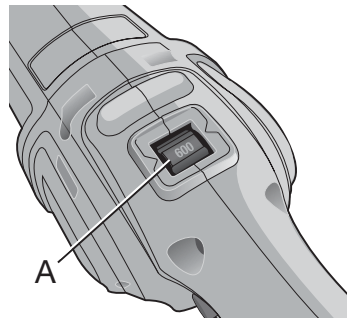
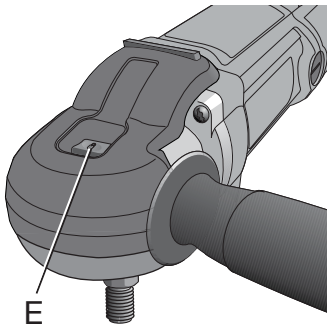
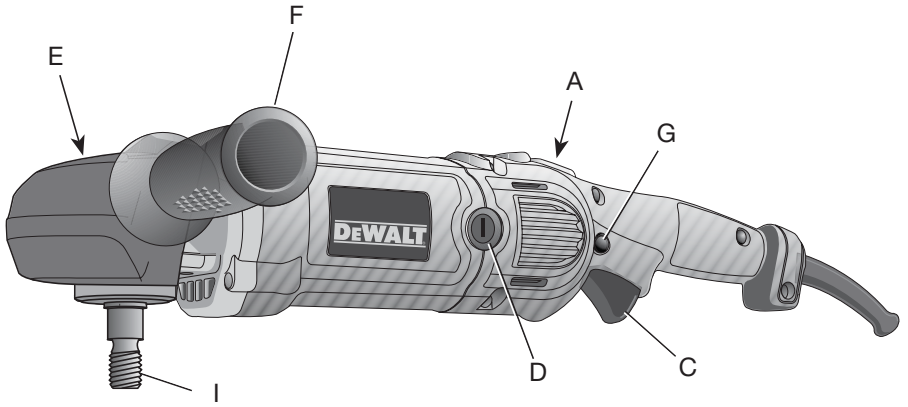

DEWALT®

www.DEWALT.com

DWP849X

English(original)	4
中文 (简体)	13
한글판	21
ไทย	29

FIG. 1 (图1)



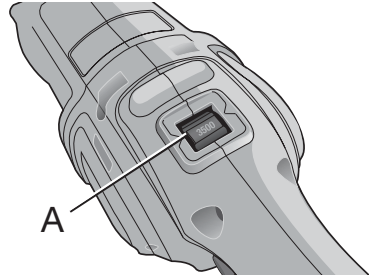
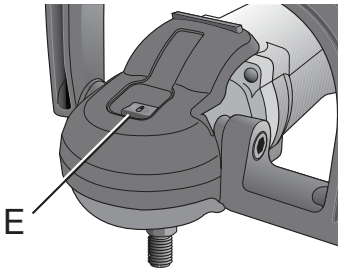
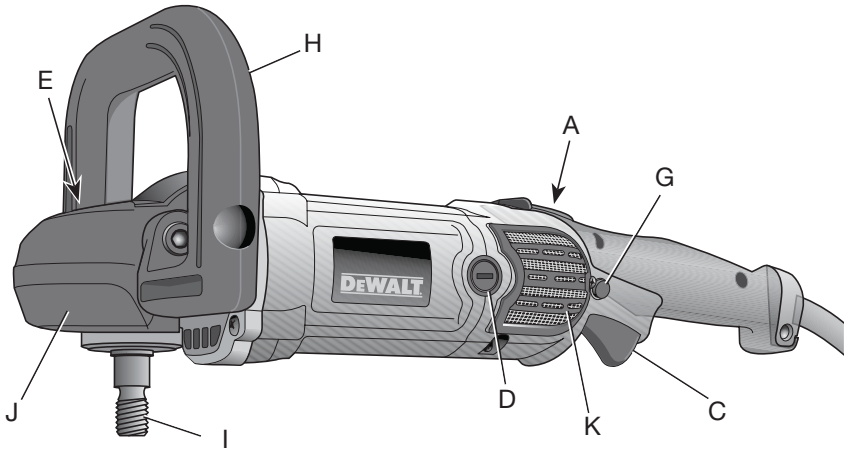


FIG. 2 (图2)

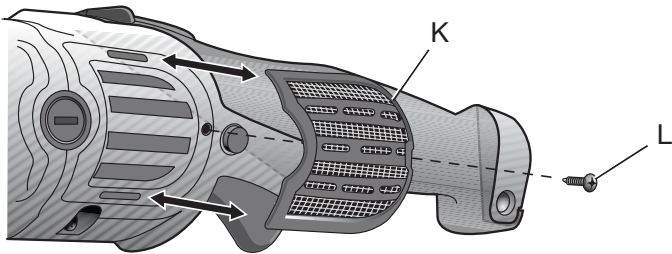
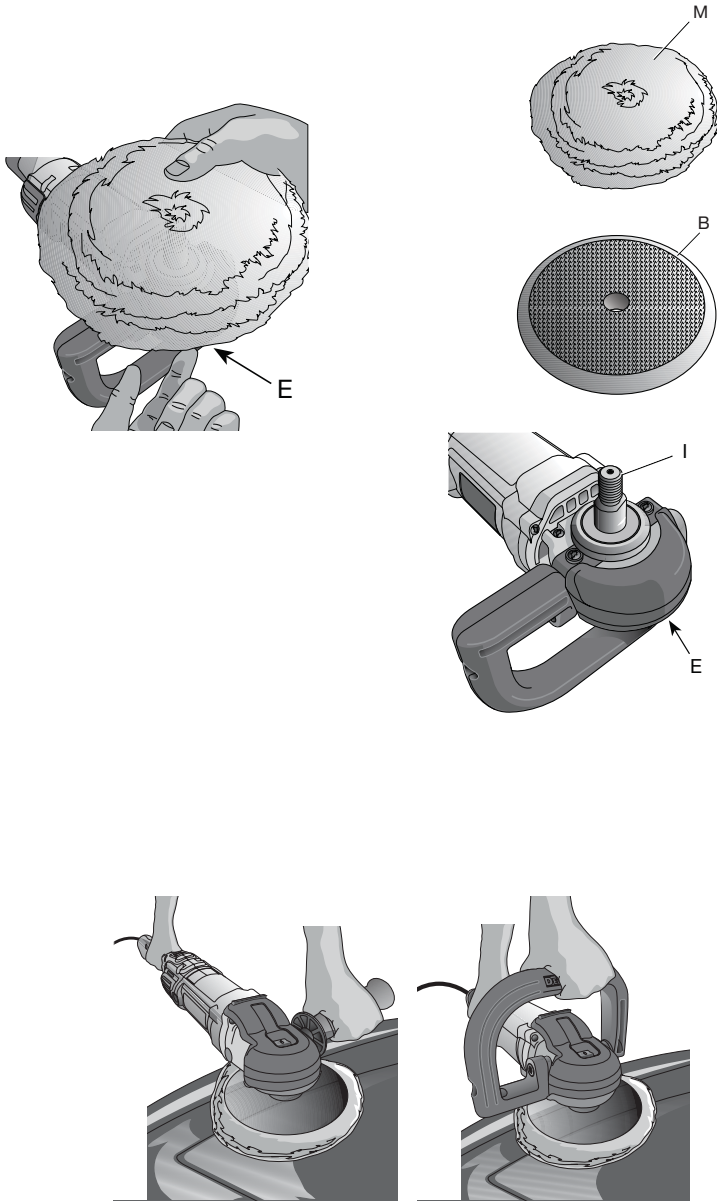


FIG. 3 (图3)



POLISHERS

DWP849X

Congratulations!

You have chosen a DEWALT power tool. Years of experience, thorough product development and innovation make DEWALT one of the most reliable partners for professional power tool users.

Technical data

		DWP849X
Rated voltage	V _{AC}	220-240
Rated frequency	Hz	50/60
Power input	W	1250
Rated speed	min ⁻¹	0-600/0-3500
Pop-off brushes		Yes
Spindle		M14
Side handle		Auxiliary/Bale
Weight	kg	3.0

Definitions: Safety Guidelines

The definitions below describe the level of severity for each signal word. Please read the manual and pay attention to these symbols.



DANGER: Indicates an imminently hazardous situation which, if not avoided, **will result in death or serious injury.**



WARNING: Indicates a potentially hazardous situation which, if not avoided, **could result in death or serious injury.**



CAUTION: Indicates a potentially hazardous situation which, if not avoided, **may result in minor or moderate injury.**

CAUTION: Used without the safety alert symbol indicates a potentially hazardous situation which, if not avoided, **may result in property damage.**



Denotes risk of electric shock.



Denotes risk of fire.



WARNING: To reduce the risk of injury, read the instruction manual.



Always wear safety glasses.

Double Insulation



The tool is double insulated. Double insulation means that all the external metal parts are electrically insulated from the mains power supply. This is done by placing insulated barriers between the electrical and mechanical components so as to making unnecessary for the tool to be earthed.

NOTE: Double insulation does not take the place of normal safety precautions when operating this tool. The insulation system is for added protection against injury resulting from a possible electrical insulation failure within the tool.

General Power Tool Safety Warnings



WARNING! Read all safety warnings and all instructions Failure to follow the warnings and instructions may result in electric shock, fire and/or serious injury.

SAVE ALL WARNINGS AND INSTRUCTIONS FOR FUTURE REFERENCE.

The term "power tool" in the warnings refers to your mains-operated (corded) power tool or battery-operated (cordless) power tool.

1) WORK AREA SAFETY

- a) **Keep work area clean and well lit.** Cluttered or dark areas invite accidents.
- b) **Do not operate power tools in explosive atmospheres, such as in the presence of flammable liquids, gases or dust.** Power tools create sparks which may ignite the dust or fumes.
- c) **Keep children and bystanders away while operating a power tool.** Distractions can cause you to lose control.

2) ELECTRICAL SAFETY

- a) **Power tool plugs must match the outlet. Never modify the plug in any way. Do not use any adapter plugs with earthed (grounded) power tools.** Unmodified plugs and matching outlets will reduce risk of electric shock.
- b) **Avoid body contact with earthed or grounded surfaces such as pipes, radiators, ranges and refrigerators.** There is an increased risk of electric shock if your body is earthed or grounded.
- c) **Do not expose power tools to rain or wet conditions.** Water entering a power tool will increase the risk of electric shock.
- d) **Do not abuse the cord. Never use the cord for carrying, pulling or unplugging the power tool. Replace damaged cords immediately. Keep cord away from heat, oil, sharp edges or moving parts.** Damaged or entangled cords increase the risk of electric shock.
- e) **When operating a power tool outdoors, use an extension cord suitable for outdoor use.** Use of a cord suitable for outdoor use reduces the risk of electric shock.
- f) **If operating a power tool in a damp location is unavoidable, use a residual current device (RCD) protected supply.** Use of an RCD reduces the risk of electric shock.

3) PERSONAL SAFETY

- a) **Stay alert, watch what you are doing and use common sense when operating a power tool. Do not use a power tool while you are tired or under the influence of drugs, alcohol or medication.** A moment of inattention while operating power tools may result in serious personal injury.
- b) **Use personal protective equipment. Always wear eye protection.** Protective equipment such as dust mask, non-skid safety shoes, hard hat, or hearing protection used for appropriate conditions will reduce personal injuries.

- c) **Prevent unintentional starting. Ensure the switch is in the off-position before connecting to power source and/or battery pack, picking up or carrying the tool.** Carrying power tools with your finger on the switch or energising power tools that have the switch on invites accidents.
- d) **Remove any adjusting key or wrench before turning the power tool on.** A wrench or a key left attached to a rotating part of the power tool may result in personal injury.
- e) **Do not overreach. Keep proper footing and balance at all times.** This enables better control of the power tool in unexpected situations.
- f) **Dress properly. Do not wear loose clothing or jewellery. Keep your hair, clothing and gloves away from moving parts.** Loose clothes, jewellery or long hair can be caught in moving parts.
- g) **If devices are provided for the connection of dust extraction and collection facilities, ensure these are connected and properly used.** Use of dust collection can reduce dust-related hazards.

4) POWER TOOL USE AND CARE

- a) **Do not force the power tool. Use the correct power tool for your application.** The correct power tool will do the job better and safer at the rate for which it was designed.
- b) **Do not use the power tool if the switch does not turn it on and off.** Any power tool that cannot be controlled with the switch is dangerous and must be repaired.
- c) **Disconnect the plug from the power source and/or the battery pack from the power tool before making any adjustments, changing accessories, or storing power tools.** Such preventive safety measures reduce the risk of starting the power tool accidentally.
- d) **Store idle power tools out of the reach of children and do not allow persons unfamiliar with the power tool or these instructions to operate the power tool.** Power tools are dangerous in the hands of untrained users.
- e) **Maintain power tools. Check for misalignment or binding of moving parts, breakage of parts and any other condition that may affect the power tools operation. If damaged, have the power tool repaired**

before use. Many accidents are caused by poorly maintained power tools.

- f) **Keep cutting tools sharp and clean.** Properly maintained cutting tools with sharp cutting edges are less likely to bind and are easier to control.
- g) **Use the power tool, accessories and tool bits etc., in accordance with these instructions taking into account the working conditions and the work to be performed.** Use of the power tool for operations different from those intended could result in a hazardous situation.

5) SERVICE

- a) **Have your power tool serviced by a qualified repair person using only identical replacement parts.** This will ensure that the safety of the power tool is maintained.
- b) **When servicing a tool, use only identical replacement parts. Follow instructions in the Maintenance section of this manual.** Use of unauthorized parts or failure to follow maintenance instructions may create a risk of electric shock or injury.

Safety instructions for All operations

- a) **This power tool is intended to function as a polisher. Read all safety warnings, instructions, illustrations and specifications provided with this power tool.** Failure to follow all instructions listed below may result in electric shock, fire and/or serious injury.
- b) **Operations such as grinding, sanding, wire brushing or cutting-off are not recommended to be performed with this power tool.** Operations for which the power tool was not designed may create a hazard and cause personal injury.
- c) **Do not use accessories which are not specifically designed and recommended by the tool manufacturer.** Just because the accessory can be attached to your power tool, it does not assure safe operation.
- d) **The rated speed of the accessory must be at least equal to the maximum speed marked on the power tool.** Accessories running faster than their rated speed can break and fly apart.
- e) **The outside diameter and the thickness of your accessory must be within the**

capacity rating of your power tool.

Incorrectly sized accessories cannot be adequately guarded or controlled.

- f) **The arbor size of wheels, flanges, backing pads or any other accessory must properly fit the spindle of the power tool.** Accessories with arbor holes that do not match the mounting hardware of the power tool will run out of balance, vibrate excessively and may cause loss of control.
- g) **Do not use a damaged accessory.** Before each use inspect the accessory such as abrasive wheels for chips and cracks, backing pad for cracks, tear or excess wear, wire brush for loose or cracked wires. If power tool or accessory is dropped, inspect for damage or install an undamaged accessory. After inspecting and installing an accessory, position yourself and bystanders away from the plane of the rotating accessory and run the power tool at maximum no-load speed for one minute. Damaged accessories will normally break apart during this test time.
- h) **Wear personal protective equipment.** Depending on application, use face shield, safety goggles or safety glasses. As appropriate, wear dust mask, hearing protectors, gloves and workshop apron capable of stopping small abrasive or workpiece fragments. The eye protection must be capable of stopping flying debris generated by various operations. The dust mask or respirator must be capable of filtrating particles generated by your operation. Prolonged exposure to high intensity noise may cause hearing loss.
- i) **Keep bystanders a safe distance away from work area. Anyone entering the work area must wear personal protective equipment.** Fragments of workpiece or of a broken accessory may fly away and cause injury beyond immediate area of operation.
- j) **Position the cord clear of the spinning accessory.** If you lose control, the cord may be cut or snagged and your hand or arm may be pulled into the spinning accessory.
- k) **Never lay the power tool down until the accessory has come to a complete stop.** The spinning accessory may grab the surface and pull the power tool out of your control.
- l) **Do not run the power tool while carrying it at your side.** Accidental contact with the spinning accessory could snag your clothing, pulling the accessory into your body.

- m) **Regularly clean the power tool's air vents.** The motor's fan will draw the dust inside the housing and excessive accumulation of powdered metal may cause electrical hazards.
- n) **Do not operate the power tool near flammable materials.** Sparks could ignite these materials.
- o) **Do not use accessories that require liquid coolants.** Using water or other liquid coolants may result in electrocution or shock.
- d) **Use special care when working corners, sharp edges, etc. Avoid bouncing and snagging the accessory.** Corners, sharp edges or bouncing have a tendency to snag the rotating accessory and cause loss of control or kickback.
- e) **Do not attach a saw chain woodcarving blade or toothed saw blade.** Such blades create frequent kickback and loss of control.

Safety Warnings Specific for Polishing operations

- a) **Do not allow any loose portion of the polishing bonnet or its attachment strings to spin freely. Tuck away or trim any loose attachment strings.** Loose and spinning attachment strings can entangle your fingers or snag on the workpiece.
- b) **When adding lubricating oil and changing accessories please follow this manual instruction.**
- c) **The handle must keep dry clean and without oil.**

Additional Specific Safety instructions for Polishers

- **Always use eye protection.** All users and bystanders must wear eye protection that conforms to ANSI Z87.1.
- **Clean out your tool often, especially after heavy use.** Dust and grit containing metal particles often accumulate on interior surfaces and could create an electric shock hazard.
- **Do not operate this tool for long periods of time.** Vibration caused by the operating action of this tool may cause permanent injury to fingers, hands and arms. Use gloves to provide extra cushion, take frequent rest periods and limit daily time of use.
- **Air vents often cover moving parts and should be avoided.** Loose clothes, jewelry or long hair can be caught in moving parts.



WARNING: ALWAYS use safety glasses. Everyday eyeglasses are NOT safety glasses. Also use face or dust mask if cutting operation is dusty. ALWAYS WEAR CERTIFIED SAFETY EQUIPMENT.



WARNING: Always wear proper personal hearing protection that conforms to ANSI S12.6 (S3.19) during use. Under some conditions and

Further Safety instructions for All operations

KICKBACK AND RELATED WARNINGS

Kickback is a sudden reaction to a pinched or snagged rotating wheel, backing pad, brush or any other accessory. Pinching or snagging causes rapid stalling of the rotating accessory which in turn causes the uncontrolled power tool to be forced in the direction opposite of the accessory's rotation at the point of the binding.

For example, if an abrasive wheel is snagged or pinched by the workpiece, the edge of the wheel that is entering into the pinch point can dig into the surface of the material causing the wheel to climb out or kick out. The wheel may either jump toward or away from the operator, depending on direction of the wheel's movement at the point of pinching. Abrasive wheels may also break under these conditions.

Kickback is the result of tool misuse and/or incorrect operating procedures or conditions and can be avoided by taking proper precautions as given below:

- a) **Maintain a firm grip on the power tool and position your body and arm to allow you to resist kickback forces. Always use auxiliary handle, if provided, for maximum control over kickback or torque reaction during start up.** The operator can control torque reaction or kickback forces, if proper precautions are taken.
- b) **Never place your hand near the rotating accessory.** Accessory may kickback over your hand.
- c) **Do not position your body in the area where power tool will move if kickback occurs.** Kickback will propel the tool in direction opposite to the wheel's movement at the point of snagging.

duration of use, noise from this product may contribute to hearing loss.



WARNING: Use of this tool can generate and/or disperse dust, which may cause serious and permanent respiratory or other injury. Always use NIOSH/OSHA approved respiratory protection appropriate for the dust exposure. Direct particles away from face and body.



CAUTION: Use extra care when working into a corner because a sudden, sharp movement of the polisher may be experienced when the wheel or other accessory contacts a secondary surface or a surface edge.

- The label on your tool may include the following symbols. The symbols and their definitions are as follows:

V.....volts

A.....amperes

Hz.....hertz


W.....watts

min.....minutes

~alternating current

— — — —direct current

n.....rated speed

Class II Construction

safety alert symbol

earthing terminal

.../min....revolutions per minute

Save These Instructions

Motor

Your DEWALT tool is powered by a DEWALT-built motor. Be sure your power supply agrees with the nameplate marking. Voltage decrease of more than 10% will cause loss of power and overheating. DEWALT tools are factory tested; if this tool does not operate, check power supply.

Components (fig. 1)



WARNING: Never modify the power tool or any part of it. Damage or personal injury could result.

- Speed control wheel
- Hook and loop backing pad
- Variable speed trigger switch
- Brush inspection cap

- Spindle lock button
- Auxiliary handle
- Trigger locking button
- Bale handle
- Spindle
- Soft rubber gear case cover
- Wool ingestion shield
- Screw
- Wool pad

INTENDED USE

The DWP849X heavy-duty polishers are designed for professional use at various work sites (i.e., construction sites). Do not use under humid conditions or in presence of flammable liquids or gases.

The DWP849X heavy-duty polishers are professional power tools. Do not let children come into contact with the tool. Supervision is required when inexperienced operators use this tool.

Auxiliary handle (fig. 1)

An auxiliary handle (F) is furnished with your tool and can be installed on either side of the gear case. This handle should be used at all times to maintain complete control of the tool. A bale handle (H) is also provided with the DWP849X and can be used in place of the auxiliary handle.

Variable Speed Trigger Switch (fig. 1)

These tools are equipped with a variable speed trigger switch that permits speed control from 0 to 3500 RPM. To turn the tool on, squeeze the trigger switch (C) shown in Figure 1 until the tool starts to run. The farther you depress the trigger, the faster it will operate. Releasing the trigger turns the tool off.

Use lower speeds for applying liquid waxes and polishes and higher speeds for removing dried liquid. Use the highest speed (fully depress trigger) for buffing the car to a final lustre. The tool can be locked on for continuous use by squeezing the trigger switch fully and depressing the lock button (G) shown in Figure 1. Hold the lock button in as you gently release the trigger switch. The tool will

continue to run. To turn the tool off from a locked-on position, squeeze and release the trigger switch once. Do not unplug the tool with the switch in the locked-on condition. Make sure the tool is not locked on when plugging in. If the tool is plugged back in with the switch in the locked-on position, the tool will not run until the lock button (G) is depressed (no-volt release).

NOTE: The trigger switch can only be locked on with the tool running at the maximum RPM designated by the speed control wheel (A).

Speed control Wheel (fig. 1)

The maximum speed of your tool can be changed by rotating the speed control wheel (A) to the desired setting. The wheel incorporates detents to prevent inadvertent wheel movement and to facilitate speed selection. For added versatility, the trigger switch may be locked in its full on position and tool speed changed by means of the speed control wheel (A) alone. The electronic speed control not only lets you select the speed to suit the job, but also helps to maintain that speed as you load the tool by pressing down. It's this feature, coupled with the variable speed trigger switch, that make this tool such a value.

The speed control wheel (A) can be set for any speed between 600 and 3500 RPM and the variable speed switch will then control tool speed from zero to the wheel setting. For example: A control wheel setting of 2200 RPM will allow the variable speed switch to operate the tool between zero and 2200 RPM, depending on how far the trigger switch is depressed. A wheel setting of 600 RPM would allow the switch to operate the tool from zero to 600 RPM.

The electronic speed control feature comes into play whenever the trigger switch is fully depressed and the tool is running at the selected speed determined by the setting of the control wheel. As you load the tool by pushing it down on the work surface, (with the trigger fully depressed) the electronic circuit inside the tool will compensate for the loading and maintain the selected speed. If the speed selected by the control wheel is 2200 RPM, as in the example above, the tool will maintain 2200 RPM, as it is loaded.

It is important to remember two things about electronic speed control:

1. The electronic speed control operates only when the trigger switch (C) is fully depressed.
2. The effect of electronic speed control is much easier to observe at lower speed settings

(2600 RPM and below), than at high speeds. As the tool approaches 3000 RPM, the effect is considerably less dramatic.

Keep in mind that, with a conventional polisher running at a typical no-load speed of 2400 RPM, the tool slows down to about 2000 RPM under a polishing load. Your DWP894X will continue to run at 2400 RPM (or any speed you select with the control wheel) as a load is applied. Since it doesn't slow down, the speed may be greater than you're used to, so some extra caution should be observed until you get the "feel" of your polisher. If you feel the speed is too great, you can, of course, slow the tool down with either the trigger switch or the control wheel.

Spindle Lock Button (fig. 1)



WARNING: To reduce the risk of serious personal injury, turn tool off and disconnect tool from power source before making any adjustments or removing/installing attachments or accessories. Before reconnecting the tool, depress and release the trigger switch to ensure that the tool is off.

In order to prevent the spindle of the tool from rotating while installing or removing accessories, a spindle lock button (E) has been provided in the gear head of the machine. To lock the spindle, depress and hold the lock button. NEVER DEPRESS THE SPINDLE LOCK BUTTON WITH THE TOOL RUNNING OR COASTING.

Wool Ingestion Shields (fig. 1, 2)

The wool ingestion shields (K) are designed to reduce the amount of wool, dust, and debris that gets ingested by the motor during normal use. The goal of the ingestion shields is to improve durability as compared to a unit without the ingestion shields.

Each ingestion shield can be easily removed for cleaning by removing the mounting screw (L), followed by sliding the shield back towards the trigger end of the tool and then lifting it off. The wool ingestion shields can be cleaned with soap and water and a soft bristle brush in the event they get clogged with polish and debris. Clean the shields as soon as you start to see buildup on the outside. Your tool may come with a set of wool ingestion shields. The wool ingestion shields are available at extra cost from your local dealer or authorized service center.

Soft Rubber Gear Case Cover (fig. 1)

The soft rubber gear case cover (J) is designed to eliminate metal gear case scuffs on painted or polished surfaces.

The soft rubber gear case cover can be removed if required. To take off the cover, remove the three mounting screws and lift the cover over the gear case.

Your tool may come with a soft rubber gear case cover. The soft rubber gear case cover is available at extra cost from your local dealer or authorized service center.

Operation



WARNING: To reduce the risk of serious personal injury, turn tool off and disconnect tool from power source before making any adjustments or removing/installing attachments or accessories. Before reconnecting the tool, depress and release the trigger switch to ensure that the tool is off.

Attaching And Removing Polishing Pads (fig. 3)



WARNING: To reduce the risk of serious personal injury, do not allow any loose portion of the polishing bonnet or its attachment strings to spin freely. Tuck away or trim any loose attachment strings. Loose and spinning attachment strings can entangle your fingers or snag on the workpiece.

NOTE: The DWP849X may use either type of polishing pad assembly described below.

TO ATTACH POLISHING PAD WITH HOOK AND LOOP BACKING PAD (fig. 3)

1. Attach hook and loop foam or wool pad (M) to hook and loop backing pad (B), being careful to center the backing pad with the foam or wool pad.
2. Screw backing pad (B) onto spindle (I), while depressing spindle lock button (E).

TO REMOVE PADS

Turn them by hand in the opposite direction from normal rotation to allow lock button to engage spindle, then unscrew pads in normal direction for right-hand thread.

Polishing

These instructions and suggestions are intended to familiarize new operators in overall general operation of power polishing. You will develop your own techniques which will make the job easier and faster as you learn power polishing.

- You should use utmost care when power polishing around or over sharp objects and contours of the car body. It is very important to use the correct pressure while polishing various sections of an automobile body. For example, light pressure should be applied when polishing over sharp edges of body panels, or over edges of the rain gutter along the top.
- Since everyone does not use the same type of power polish, we recommend you clean and polish a test section on a flat area of the car first. From this *test section*, you can judge the strength or cleaning action of your power polish.
- Remember, all power polish is not the same. Different brands will react differently on various painted surfaces. Also, you are now using a power polisher with power polish. This is entirely different from any hand application which you may have done before. Wash the car before power polishing it. Washing will remove loose dirt, scum, road salt, etc. which could act as an abrasive and damage paint. Loose dirt, etc. will also clog the polishing pad and you will have to clean it more often.
- Without turning the tool on, grasp the handles of the tool and pick it up. Keep the tool away from your body and depress the trigger switch. Make sure you have a firm grip on the handles and operate the tool freely without forced effort or unnecessary pressure. The side handle can be easily changed to either side of the tool for left-handed or right-handed operation.

NOTE: The high speed rubbing action of the polishing bonnet upon the surface of an automobile can build a static charge on the metal portions of this tool. This can result in a sensation of a very short mild electric shock when the metal area of the tool is touched, and will be more noticeable on days when the humidity is low. This is a harmless phenomenon but you are invited to bring the tool to a DEWALT service center where it can be checked to assure that no electrical malfunction is present.

Maintenance

Your DEWALT power tool has been designed to operate over a long period of time with a minimum of maintenance. Continuous satisfactory operation depends upon proper tool care and regular cleaning.



WARNING: To reduce the risk of serious personal injury, turn tool off and disconnect tool from power source before making any adjustments or removing/installing attachments or accessories. Before reconnecting the tool, depress and release the trigger switch to ensure that the tool is off.



Cleaning



WARNING: Blow dirt and dust out of all air vents with dry air at least once a week. Wear proper ANSI Z87.1 (CAN/CSA Z94.3) eye protection and proper NIOSH/OSHA/MSHA respiratory protection when performing this.



WARNING: Never use solvents or other harsh chemicals for cleaning the non-metallic parts of the tool. These chemicals may weaken the plastic materials used in these parts. Use a cloth dampened only with water and mild soap. Never let any liquid get inside the tool; never immerse any part of the tool into a liquid.



Lubrication

DEWALT tools are properly lubricated at the factory and are ready for use. Tools should be relubricated regularly every sixty days to six months, depending on usage. (Tools used constantly on production or heavy-duty jobs and tools exposed to heat may require more frequent lubrication.) This lubrication should only be attempted by trained power tool repairpersons such as those at DEWALT service centers or other authorized service locations.

Motor Brushes

Be sure tool is unplugged before inspecting brushes. Carbon brushes should be regularly inspected for

wear. To inspect brushes, unscrew the plastic brush inspection caps (located in the sides of the motor housing) and the spring and brush assemblies may be withdrawn from the tool. Keep brushes clean and sliding freely in their guides.



CAUTION: Only use the DEWALT qualified carbon brush designed for this tool, consult your local dealer or authorized service center for correct carbon brush. Use of carbon brush not designed for this tool or not qualified by DEWALT may damage the tool and may result serious injury!

ACCESSORIES



WARNING: Since accessories, other than those offered by DEWALT, have not been tested with this product, use of such accessories with this tool could be hazardous. To reduce the risk of injury, only DEWALT recommended accessories should be used with this product.

Recommended accessories for use with your tool are available at extra cost from your local dealer or authorized service center. If you need assistance in locating any accessory, please contact local DEWALT sales.

Use only accessories having a maximum operating speed at least as high as the highest "RATED RPM" marked on the tool's nameplate. This precaution applies to any accessory on any tool.

- Rubber backing pads: 7" (18.0 cm) Quick Change Super Flexible Rubber Backing Pad (includes clamp washer)
- 7" (18.0 cm) hook and loop backing pads
- Soft rubber gear case cover
- Wool ingestion shields
- Auxiliary handle
- Bale handle

Repairs

To assure product SAFETY and RELIABILITY, repairs, maintenance and adjustments (including brush inspection and replacement) should be performed by a DEWALT factory service center, a DEWALT authorized service center or other qualified service personnel. Always use identical replacement parts.

Optional accessories



WARNING: *Since accessories, other than those offered by DEWALT, have not been tested with this product, use of such accessories with this tool could be hazardous. To reduce the risk of injury, only DEWALT recommended accessories should be used with this product.*

Consult your dealer for further information on the appropriate accessories.

Accessory maintenance

Accessory maintenance at the right time guarantees optimal results in application and a long and efficient accessory life.

Protecting the environment



Separate collection. This product must not be disposed of with normal household waste.



Should you find one day that your DEWALT product needs replacement, or if it is of no further use to you, do not dispose of it with household waste. Make this product available for separate collection.



Separate collection of used products and packaging allows materials to be recycled and used again. Re-use of recycled materials helps prevent environmental pollution and reduces the demand for raw materials.

Local regulations may provide for separate collection of electrical products from the household, at municipal waste sites or by the retailer when you purchase a new product.

抛光机

DWP849X

祝贺您！

您已选择了的得伟工具。凭借多年的经验和在产品开发与创新方面的不断努力，得伟已经成为专业电动工具用户的最可靠伙伴之一

技术数据

		DWP849X
电压	伏特(交流)	220
额定频率	赫兹	50
输入功率	瓦特	1250
空载转速	转 / 分	0-600/0-3500
碳刷		自停式
主轴螺纹		M14
侧手柄		辅助手柄
重量	千克	3.0

定义：安全准则

下列定义解释了各标志术语的严重程度。请仔细阅读本手册并注意这些标志。



危险：表示紧急的危险情形，如不加以阻止，将导致死亡或严重伤害。



警告：表示潜在的危险情形，如不加以阻止，可能导致死亡或严重伤害。



注意：表示潜在的危险情形，如不加以阻止，可能导致轻度或中度伤害。

注意：如未能遵守警示标志，存在安全隐患，可能导致财产损失。



表示有触电危险。



表示火灾危险。



警告：为降低伤害风险，请阅读使用手册。



请务必佩戴安全眼镜。

双重绝缘



本工具采用双重绝缘。这意味着所有外部金属部件均与主电源绝缘。这是通过电气部件和机械部件之间放置的绝缘体来实现的。如此一来，本工具就无需接地。

说明：使用本工具时，双重绝缘并不能取代正常的安全防护措施。该绝缘是为了加强防护，并避免工具内绝缘失效可能导致的伤害。

电动工具一般安全规则



警告！阅读说明没有按照以下列举的说明而使用或操作将导致触电、着火和/或严重伤害。

请保存所有警告和守则 以备将来查阅

在所有以下列举的警告中术语“电动”工具指用电动驱动（有线）电动工具或电池驱动（无线）电动工具。

1) 工作场地

- a) **保持工作场地清洁和明亮。**混乱和黑暗的场地会引发事故。
- b) **不要在易爆环境，如有易燃液体、气体或粉尘的环境下操作电动工具。**电动工具产生的火花会点燃粉尘或气体。
- c) **让儿童或旁观者离开后操纵电动工具。**分心会使你放松控制。

2) 电气安全

- a) **电动工具插头必须与插座相配。不能以任何方式改装插头。**需接地的电动工具不能使用任何转换插头。未经改装的插头和相配的插座将减少触电危险。
- b) **避免人体接触接地表面，如管道、散热片和冰箱。**如果你身体接地会增加触电危险。
- c) **不得将电动工具暴露在雨中或潮湿环境中。**水进入电动工具将增加触电危险。
- d) **不得滥用电线。绝不能用电线搬运、拉动电动工具或拔出其插头。请立即更换有损坏的电源线。**让电动工具远离热、油、锐边或运动部件。受损或缠绕的电线会增加触电危险。
- e) **当在户外使用电动工具时，使用适合户外使用的外接电线。**适合户外使用的电线将减少触电危险。
- f) **如果必须在潮湿场合使用电动工具，请使用漏电保护器(RCD)。**使用RCD可降低触电危险。

3) 人身安全

- a) **保持警觉，当操作电动工具时关注所从事的操作并保持清醒。**切勿在有疲倦、药物、酒精或治疗反应下操作电动工具。在操作电动工具期间精力分散会导致严重人身伤害。
- b) **使用安全装置。**始终佩戴护目镜。安全装置，诸如适当条件下的防尘面具、防滑安全鞋、安全帽、听力防护等装置能减少人身伤害。
- c) **避免突然启动。**确保开关在插入插头时处于关断位置。手指放在已接通电源开关上或开关处于接通时插入插头可能会导致危险。
- d) **在电动工具接通之前，拿掉所有调节钥匙或扳手。**遗留在电动工具旋转零件上的扳手或钥匙会导致人身伤害。
- e) **手不要伸得太长。**时刻注意脚下和身体平衡。这样在意外情况下能很好地控制电动工具。

- f) **着装适当。**不要穿宽松衣服或佩带饰品。让你的头发、衣服和袖子远离运动部件。宽松衣服、佩饰或长发可能会卷入运动部件。
- g) **如果提供了排屑装置、集尘设备连接用的装置，则确保他们连接完好且使用得当。**使用这些装置可减少碎屑引起的危险。

4) 电动工具使用和注意事项

- a) **不要滥用电动工具，根据用途使用适当的电动工具。**选用适当的设计额定值的电动工具会使你工作有效、更安全。
- b) **如果开关不能接通或关断工具电源，则不能使用该电动工具。**不能用开关来控制的电动工具是危险的且必须进行修理。
- c) **在进行任何调节、更换附件或贮存电动工具之前，必须从电源上拔掉插头和/或将电池盒脱开电源。**这种防护性措施将减少电动工具突然起动的危险。
- d) **将闲置电动工具贮存在儿童所及范围之外，并且不要让不熟悉电动工具或对说明不了解的人操作电动工具。**电动工具在未经训练的用户手中是危险的。
- e) **保养电动工具。**检查运动部件的安装偏差或卡住、零件破损情况和影响电动工具运行的其它条件。如有损坏，电动工具必须在使用前修理好。许多事故由维护不良的电动工具引发。
- f) **保持切削工具锋利和清洁。**保养良好的有锋利切削刃的刀具不易卡住而且容易控制。
- g) **按照使用说明书以及打算使用的电动工具的特殊类型要求的方式，考虑作业条件和进行的作业来使用电动工具、附件和工具的刀头等。**电动工具用作那些与要求不符的操作可能会导致危险情况。

5) 维修

- a) **将你的电动工具送交专业维修人员，必须使用同样的备件进行更换。**这样确保所维修的电动工具的安全性。
- b) **维修时务必使用指定的配件，并遵守本手册中关于维护部分的说明。**使用未批准的或失效的部件，即使遵循了维护说明也可能造成触电的危险或者伤害。

所有操作的使用说明书

抛光操作的通用安全警告：

- a) **该电动工具是用于实现抛光机功能的。** 阅读随该电动工具提供的所有安全警告、说明、图解和规定。不了解一下所列所有说明将导致电击、着火和/或严重伤害。
- b) **不推荐用该电动工具进行诸如砂磨、砂光、刷光或切断等操作。** 电动工具不按指定的功能去操作，可能会发生危险和引起人身伤害。
- c) **不使用的非工具制造商推荐和专门设计的附件。** 否则该附件可能被装到你的电动工具上，而它不能保证安全操作。
- d) **附件的额定速度必须至少等于电动工具上标出的最大速度。** 附件以比其额定速度大的速度运转会发生爆裂和飞溅。
- e) **附件的外径和厚度必须在电动工具额定能力范围之内。** 不正确的附件尺寸不能得到充分防护或控制。
- f) **砂轮、法兰盘、靠背垫或任何其他附件的轴孔尺寸必须适合于安装到电动工具的主轴上。** 带轴孔的，与电动工具安装件不配的附件将会失稳，过度振动并会引起失控。
- g) **不要使用损坏的附件。在每次使用前要检查附件，例如砂轮是否有碎片和裂缝，靠背垫是否有裂缝、撕裂或过度磨损，钢丝刷是否松动或金属丝是否断裂。如果电动工具或附件跌落了，检查是否有损坏或安装没有损坏的附件。检查和安装附件后，让自己和旁观者的位置远离旋转附件的平面，并以电动工具最大空载速度运行1min，损坏的附件通常在该实验时会碎裂。**
- h) **戴上防护用品。根据适用情况，使用面罩、安全护目镜或安全眼镜。适用时，戴上防尘面罩、听力保护器、手套和能挡小磨粒或工件碎片的工作围裙。** 眼防护罩必须挡住各种操作产生的飞屑。防尘面具或口罩必须能过滤操作产生的颗粒。长期暴露在高强度噪声中会引起失聪。
- i) **让旁观者与工作区域保持一安全距离。任何进入工作区域的人必须戴上防护用品。** 工件或破损附件的碎片可能会飞出并引起紧靠着

操作区域的旁观者的伤害。切割附件触及带电导线会使电动工具外露的金属零件带电，并使操作者触电。

- j) **使软线远离旋转的附件。** 如果控制不当，软线可能被切断或缠绕，并使得你的手或手臂可能被卷入旋转附件中。
- k) **直到附件完全停止运动才放下电动工具。** 旋转的附件可能会抓住表面并拉动电动工具而让你失去对工具的控制。
- l) **当携带电动工具时不要开动它。** 意外地触及旋转附件可能会缠绕你的衣服而使附件伤害身体。
- m) **经常清理电动工具的通风口。** 电动风扇会将灰尘吸进机壳，过多的金属粉末沉积会导致电气危险。
- n) **不要在易燃材料附件操作电动工具。** 火星可能会点燃这些材料。
- o) **不要使用需用冷却液的附件。** 用水或其他冷却液可能会导致电腐蚀或电击。

对所有操作的进一步安全说明

反弹和相关警告

反弹是因卡住或缠绕住的旋转砂轮、靠背垫、钢丝刷或其他附件而产生的突然反作用力。卡住或缠绕会引起旋转附件的迅速堵转，随之使失控的电动工具在卡住点产生与附件旋转方向相反的运动。例如，如果砂轮被工作缠绕或卡住，伸入卡住点的砂轮边缘可能会进入材料表面而引起砂轮爬出或反弹。砂轮可能飞向或飞离操作者，这取决于砂轮在卡住点的运动方向。在此条件下的砂轮也可能碎裂。反弹是电动工具误用和/或不正确操作工序或条件的结果，可以通过采取以下给出的适当预防措施得以避免。

- a) **保持紧握电动工具，使你的身体和手臂处于正确状态以抵抗反弹力，如有辅助手柄，则要一直使用，以便最大限度控制住起动时的反弹力或反力矩。** 如采取合适的预防措施，操作者就可以控制反力矩或反弹力。
- b) **绝不能将手靠近旋转附件。** 附件可能会反弹碰到手。

- c) **不要站在发生反弹时电动工具可能移动到的地方。**反弹将在缠绕点驱使工具逆砂轮运动方向运动。
- d) **当在尖角、锐边等处作业时要特别小心。避免附件的弹跳和缠绕。**尖角、锐边和弹跳具有缠绕旋转附件的趋势并引起反弹的失控。
- e) **不要附装上锯链、木雕刀片或带齿锯片。**这些锯片会产生频繁的反弹和失控。

抛光操作的附加安全说明

抛光操作的专用安全警告：

- a) **不允许抛光帽或附带绳索有任何松动部分而随意旋转，收拢或调整松动的附带绳索。**松动而旋转的附带绳索会将手指缠住或在工件上卡住。
- b) **上润滑油脂及更换附件时请遵循本说明书指示。**
- c) **手柄务必保持干燥，清洁，无油（脂）。**

抛光机特殊安全规定

- 务必佩戴护目装备。所有操作人员及在场人员必须佩戴符合ANSI Z87.1标准的护目器。
- 经常清洁工具，特别是繁重地使用后，更应该清洁。含有金属碎屑的灰尘与颗粒常常聚集在工具内表面，会带来触电风险。
- 切勿长时间使用本工具。使用本工具时产生的振动会永久性损伤手指、手掌及手臂。使用手套来加强减振，提高休息频率并限制每天的使用时间。
- 通气口内往往有转动部件，应避免接触。松散的衣服、首饰或长发会卷入转动部件。



警告：切记使用安全眼镜。日常使用的眼镜并非安全眼镜。同时，如果切割工作灰尘较多，应使用面罩或防尘罩。切记佩戴经过认证的安全装备。



警告：在使用工具时，请佩戴恰当的、符合ANSI S12.6 (S3.19)要求的个人听力保护装置。在某些情况下以及长期使用本产品时，本产品所产生的噪音可能会影响听力。



警告：使用本工具可能会产生和/或散发灰尘，从而造成永久性呼吸系统伤害或其它伤害。切记使用经NIOSH/OSHA认可的、适合防尘的呼吸保护装置，并且使尘粒远离脸和身体的方向。

- 本工具上的铭牌可能会包含如下符号。这些标志及其含义如下所示：

V..... 伏特	A..... 安培
Hz..... 赫兹	W..... 瓦特
min 分钟	~ 交流电
--- ... 直流电	n 额定转速
□ 等级 II 结构	▲ 安全警示标志
⊕ 接地端子	...r/min ... 每分钟的旋转数

请妥善保存本说明书

马达

得伟工具采用得伟自制马达。请确保电源与铭牌标识一致。如果电压降低超过10%，会导致功率降低与过热。得伟工具均经过出厂检验；如果工具不能启动，请检查电源。

部件 (图1)



警告：切勿修改本工具或其任何部件。否则，可能造成人身伤害或工具损坏。

- A. 速度控制轮
- B. 魔术搭扣抛光轮
- C. 调速触发开关
- D. 碳刷检查帽
- E. 主轴锁定按钮
- F. 辅助手柄
- G. 触发开关锁定按钮
- H. 提把把手(中国市场不含此附件)
- I. 主轴
- J. 齿轮箱橡胶防护盖
- K. 羊毛防护罩
- L. 螺钉
- M. 羊毛抛光垫 (中国市场不含此附件)

设计用途

DWP849X重型抛光机设计用于各种专业工作场所（例如施工现场）。禁止用于潮湿场所，或存在易燃气体/液体的场所。

DWP849X重型抛光机为专业电动工具，禁止儿童接触。经验不足的人使用时，应在监督下进行。

辅助手柄（图1）

本工具配有一辅助手柄（F），可以安装在齿轮壳体的任一侧。本手柄应随时使用，确保对工具的完全控制。

调速开关（图1）

本工具安装有调速触发开关，这个开关可以控制速度的变化：控制范围为0到3500转/分钟。要启动这个工具，按压图1所示的触发开关（C）直至工具开始转动。触发开关按下越深，工具转动就越快。松开触发开关，工具即停止转动。

在打液体蜡或抛光时，用较低速度；除去已干结的液体时，则用较高速度。将车子抛光至极其光亮，就要用最高速度（即完全按下触发开关）。如图1所示，将触发开关完全按下，同时按下锁定按钮（G），就可以将这个工具锁定，持续使用。轻轻释放触发开关，但保持按下锁定按钮，工具就会持续运转。如要使工具从锁定位置关断，只需按下和释放触发开关一次即可。不要在开关处于锁定状态时，拔下工具插头。切勿在工具处于锁定状态时，插入插座，接通电源。工具处于锁定状态时接通电源，仅当按下锁定按钮（G）后，工具才会启动（无电压释放）。

注：仅当工具以速度控制轮（A）设定的最大转速运转时，方可锁定触发开关。

速度控制轮（图1）

转动速度控制轮（A），就可以改变工具的最大速度。这个轮子装有制动器，防止轮子意外转动，以便于选择速度。为了更加便利，触发开关可以锁定在全开位置，而仅用速度控制轮（A）改变速度。该电子速度控制器不仅可以选择适于工作需要的速度，而且在下压电动工具，给工具加载时，保持速度不变。正是这个特性，连同其变速开关，使这个工具有其特殊优点。

速度控制轮的速度可以任意设定在600转/分钟至3500转/分钟之间；而变速开关将工具速度控制在零至控制轮所设定的速度之间。例如：控制轮设定在2200转/分钟，变速开关就可以使工具在零至2200转/分钟之间运转，视触发开关按下的深浅而异。如控制轮设定在600转/分钟，变速开关就可以使工具在零至600转/分钟之间运转。

不论在任何时候，只要将触发开关完全按下，电子速度控制器的这个特性就会发挥作用；工具也就会以通过控制轮所选择的速度运转。当用力将工具压在工作面上，给工具加载时（将触发开关完全按下），工具内部的电子电路就会对这一加载进行补偿，从而保持所选定的速度。当控制轮所选定的速度是2200转/分钟（如上例中所示），当加载时，工具仍会保持2200转/分钟。

记住电子速度控制器的以下两点，是很重要的：

1. 只有在触发开关（C）完全按下时，电子速度控制器才能起作用。
2. 电子速度控制器的效果，设定速度较低时（不高于2600转/分钟）比设定速度较高时要明显。当工具速度接近3000转/分钟时，其效果会急剧降低。

要记住：对于在典型的2400转/分钟空载速度下运行的普通抛光机，抛光负荷下速度会降至大约2000转/分钟。而DWP849X型抛光机在加载时，仍能够继续以2400转/分钟运转（或根据控制轮设置所选定的任何速度运转）。由于速度并不减慢，可能比您所习惯的速度要快。所以，使用时要特别注意，直到得心应手。如果您感到速度太快，当然可以使用触发开关或控制轮使工具速度降低。

主轴锁定按钮（图1）



警告：为了降低严重人身伤害的风险，在对工具进行任何调整或拆卸/安装任何附件或配件之前，请关闭工具并且断开电源。重新插上工具电源之前，请按下并松开触发开关，以确保工具已经关闭。

为了防止主轴在安装或拆卸附件时转动，本工具的齿轮变速箱头部设计有主轴锁定按钮（E）。要锁住主轴，按下锁定按钮不放即可。禁止在工具运转或惯性运行时按下主轴锁定按钮。

羊毛防护罩（图1、2）

在工具正常使用过程中，羊毛防护罩（K）可拦截马达吸入的羊毛、灰尘和碎屑。与无防护罩的工具相比，本工具的耐用性会因此提高。

每个防护罩均可方便地拆卸、清洁：取下螺钉（L），把防护罩向后滑动，即朝向工具触发开关末端的方向，然后从工具上拿掉。羊毛防护罩可用香皂和水清洗，如被抛光料或碎屑堵塞，还可用软毛刷清理。一旦发现防护罩外部有积灰，应立即清理。本工具可能会随供一套防护罩。您在当地零售商或授权维修中心处，可以另行购买羊毛防护罩。

齿轮箱软橡胶防护盖（图1）

齿轮箱软橡胶防护盖（J）的功能是防止金属齿轮箱划伤已抛光或油漆表面。

必要时，可以取下齿轮箱软橡胶防护盖。要取下防护盖，请取下三个固定螺钉，然后从齿轮箱上取下。本工具可能原装有齿轮箱软橡胶防护盖。您在当地零售商或授权维修中心处，可以另行购买齿轮箱软橡胶防护盖。

操作



警告：为了降低严重人身伤害的风险，在对工具进行任何调整或拆卸/安装任何附件或配件之前，请关闭工具并且断开电源。重新插上工具电源之前，请按下并松开触发开关，以确保工具已经关闭。

安装和拆卸抛光轮（图3）



警告：为了降低严重人身伤害的风险，应避免抛光帽的松散部分或其连接线绳随意旋转。收起或整理松散的连接线绳。松散的连接线会缠绕您的手指或在工件上造成阻滞。

说明：DWP849X型抛光机均可使用下述类型的抛光轮配件。

给抛光轮安装魔术搭扣衬垫（图3）

1. 把魔术搭扣海绵垫或羊毛抛光垫（M）安装到魔术搭扣抛光轮（B）上，注意使抛光轮的圆心与海绵垫或羊毛抛光垫的圆心对齐。
2. 按下主轴锁定按钮（E）的同时，把衬垫（B）拧到主轴（I）上。

拆卸抛光垫

用手沿抛光轮正常转动的相反方向转动抛光垫，使锁定按钮与主轴啮合。然后，按正常的右旋螺纹方向拧下它们。

抛光

以下说明和提示，都是为了使新手对动力抛光的一般操作有全面了解。随着对动力抛光有更多了解，您就可以掌握更多的技巧，使工作更加容易。

- 在对尖锐物件和车身轮廓进行动力抛光时，应极其小心。对车身不同部分进行抛光时，要采用不同的压力，这一点非常重要。例如，在抛光车身板件尖锐边缘或沿车顶的流水槽边缘进行抛光时，压力要轻。
- 由于每个人所用的动力抛光机型号不一定一样，建议先在汽车一个平面部位上进行清洁抛光实验。通过实验，可以判断动力抛光清洁操作所需的力度。
- 切记：并非所有动力抛光机都是一样的。不同品牌抛光机在不同漆面上的反应是不同的。还有，您现在所用的是使用动力的抛光机，与您以前可能使用过的任何一种手动抛光机都完全不同。要先清洗汽车，然后进行动力抛光。清洗可以除去浮尘、浮垢、路盐等，这些污垢有摩擦作用，会损坏漆面。浮尘等还会粘在抛光垫上，从而不得不更频繁清洗衬垫。
- 抛光操作如下：先不启动工具，仅握住手柄并拿起工具。然后接通开关，不要靠近工具。确保紧握手柄，无需特别用力或施加不必要的压力，让工具自由运转。侧手柄可以很容易地换至另一边，便于惯用左手或右手的人操作。

说明：抛光罩在汽车表面高速摩擦，可能在本工具的金属部分产生静电。如果触及这个金属部位，可能有非常短暂的轻微触电感觉；在湿度较低的天气，这种感觉会更明显一些。这种现象是没有危害的。但为了保证不是电气故障，建议将工具拿到得伟维修中心检查。

维护

本得伟电动工具设计精良，可以长期使用，仅需极少维护。要连续获得令人满意的工作效果，需要您做合适的保养和定期的清洁。



警告：为了降低严重人身伤害的风险，在对工具进行任何调整或拆卸/安装任何附件或配件之前，请关闭工具并且断开电源。重新插上工具电源之前，请按下并松开触发开关，以确保工具已经关闭。

清洁



警告：用干燥的压缩空气吹走所有气口上的粉尘和灰尘，至少每周一次。进行这一步骤时，请佩戴适当的符合ANSI Z87.1 (CAN/ CSA Z94.3) 标准的护目装备，以及合适的符合NIOSH/ OSHA/ MSHA要求的呼吸保护器。



警告：切勿使用溶剂或其它刺激性化学品来清洁工具的非金属部件。这些化学品可能削弱零件中使用的塑料材料。只能使用抹布蘸中性肥皂水进行清洁。勿使任何液体进入工具；勿使工具的任何部分浸入液体中。

润滑

得伟工具在出厂时已经适当润滑，可供随时使用。每隔60天至6个月，应重新润滑工具，时间长短视使用情况而定。（经常用于生产、干重活、或高温环境时，可能需要更频繁地润滑）。加润滑油的工作，必须由受过训练的修理人员进行。例如在得伟维修中心或其它授权维修地点受过训练的人员。

马达碳刷

检查碳刷前，务必要拔下插头。要定期检查碳刷磨

损情况。检查碳刷方法：拧下碳刷塑料检查帽（位于机壳两侧），碳刷组件就可以从工具上取下。要保持刷子清洁，使之能在导轨内自由滑动。



注意：仅可使用本工具指定的、得伟认证的碳刷。关于碳刷的正确型号，请咨询当地零售商或授权服务中心。如果使用非本工具指定的碳刷、或使用非得伟认证的碳刷，会损坏工具并可能导致严重的人身伤害！

配件



警告：由于非得伟供应的配件没有经过本机的使用测试，因此使用这些配件可能存在危害。为了减少人身伤害风险，请在本工具上仅使用得伟推荐的配件。

推荐使用的配件在当地经销商或授权维修中心有售，费用单独收取。如果你在安装附件时需要协助，请和本地的得伟销售部门联系。

配件的最大运行速度应至少达到工具铭牌上的最高“额定转速”。本警告适用于任何工具上的任何配件。

- 橡胶衬垫：7" (18.0厘米) 快速更换超弹橡胶背垫（包括夹紧垫圈）
- 7" (18.0厘米) 魔术搭扣背垫
- 齿轮箱软橡胶防护盖
- 羊毛防护罩
- 辅助手柄

维修

为了确保本产品的安全性和可靠性，其维修、维护和调节（包括碳刷检查与更换）应由得伟厂家、得伟授权服务中心或其它具有资质的服务人员进行。切记使用相同的更换部件。

可选配件



警告：由于非得伟供应的配件没有经过本机的使用测试，因此使用这些配件可能存在危害。为了减少人身伤害风险，请在本工具上仅使用得伟推荐的配件。

有关合适配件的详细资料，请咨询当地零售商。

配件维护

适时进行配件维护，能够确保最佳使用效果，使配件既高效又耐用。

保护环境



分类回收。此类产品不得和普通家庭垃圾一起处理。

当您的得伟产品需要更换或不再使用时，请不要把它和家庭垃圾一起处理。把该产品单独分类回收。



旧产品和旧包装的分类回收使材料能够得以再循环和再利用。再循环材料的重新利用有助于防止环境污染和减少原料需求。

在市政垃圾场或您购买新产品的零售商处，地方法规可能要求电器产品与生活垃圾分开回收。

制造商：百得(苏州)科技有限公司

地址：苏州工业园区苏虹中路200号出口加工区

产地：江苏苏州

광택기 DWP849X

축하합니다!

DeWALT 전동 공구를 선택해 주셔서 감사합니다. 제품 개발과 혁신을 통한 다년간의 경험은 DeWALT를 전문 전동 공구 사용자들이 가장 믿을 수 있는 기업으로 만들어 왔습니다.

기술 데이터

		DWP849X
정격전압	V _{AC}	220
정격주파수	Hz	60
소비전력	W	1250
정격속도	min ⁻¹	0-600/0-3500
팝업 브러시		예
스핀들		M14
사이드 핸들		보조/D형 핸들
중량	kg	3.0

정의: 안전 지침

다음 정의는 각 경고 문구의 심각도를 설명합니다. 사용 설명서를 읽고 다음과 같은 기호들에 유의하십시오.



위험: 절박한 위험 상태를 나타내며, 방지하지 않으면 **사망 또는 심각한 부상을 초래합니다.**



경고: 잠재적으로 위험한 상태를 나타내며, 방지하지 않으면 **사망 또는 심각한 부상을 초래할 수도 있습니다.**



주의: 잠재적으로 위험한 상태를 나타내며, 방지하지 않으면 경미하거나 **가벼운 부상을 초래할 수 있습니다.**

주의: 안전 경고 기호 없이 사용될 경우 잠재적으로 위험한 상태를 나타내며, 방지하지 않으면 **재산상의 손해가 발생할 수 있습니다.**



감전 위험을 나타냅니다.



화재 위험을 나타냅니다.



경고: 부상 위험을 줄이려면 사용 설명서를 숙지하십시오.



항상 보호 안경을 착용하십시오.

이중 절연



공구는 이중 절연되어 있습니다. 이중 절연이란 모든 외부 금속 부품이 주 전원으로부터 전기적으로 절연되어 있음을 의미합니다.

이를 위해 전기 부품과 기계 부품 사이에 절연체를 배치해 공구를 접지시킬 필요가 없게 합니다.

참조: 이중 절연이 되어 있다 해도 이 공구를 다룰 때의 일반적인 안전 주의 사항을 소홀히해서는 안 됩니다. 절연 시스템은 공구 내부의 전기 절연이 제대로 되어 있지 않아 생길 수 있는 부상 방지 효과를 강화하기 위한 것입니다.

전동 공구에 관한 일반 안전 경고



경고! 모든 안전 경고와 모든 지시 사항을 읽으십시오. 경고와 지시 사항을 준수하지 않으면 감전, 화재 및/또는 심각한 부상을 초래할 수 있습니다.

향후 참고할 수 있도록 모든 경고 및 지시 사항을 보관해두십시오.

경고에서 사용되는 "전동 공구"는 주 전원으로 작동되는(코드 있음) 전동 공구 또는 충전식(코드 없음) 전동 공구를 의미합니다.

1) 작업 안전 영역

- a) 작업 영역을 경계하고 밝게 유지하십시오. 혼잡하거나 어두운 작업 영역에서는 사고가 발생하기 쉽습니다.
- b) 가연성 액체, 가스 또는 먼지 등 폭발성 분위기에서 전동 공구를 사용하지 마십시오. 전동 공구에 먼지나 연기를 발화시킬 수 있는 불꽃이 될 수 있습니다.
- c) 전동 공구를 사용하는 동안에는 어린이와 주변 사람들이 작업 영역에 가까이 들어오지 못하도록 하십시오. 주변이 산만해져 통제력을 잃을 수 있습니다.

2) 전기 안전

- a) 전동 공구의 플러그는 콘센트와 형식이 일치해야 합니다. 플러그를 어떤 방식으로든 절대 개조하지 마십시오. 접지된(지면 접지) 전동 공구와 함께 어댑터 플러그도 사용하지 마십시오. 개조되지 않은 플러그 및 형식이 일치하는 콘센트를 사용하면 감전 위험이 줄어듭니다.
- b) 파이프, 라디에이터, 렌지 및 냉장고 등과 같이 접지된 표면에 몸이 닿지 않도록 하십시오. 신체가 접지되어 있으면 감전 위험이 높아집니다.
- c) 전동 공구를 비 또는 습한 환경에 노출하지 않도록 주의하십시오. 전동 공구에 물이 들어가면 감전 위험이 높아집니다.
- d) 코드를 함부로 다루지 마십시오. 코드를 사용하여 전동 공구를 운반하거나 잡아당기거나 플러그를 빼지 마십시오. 손상된 코드는 즉시 교체하십시오. 손상된 코드는 즉시 교체하십시오. 코드가 손상되거나 뒤엎혀 있으면 감전 위험이 높아집니다.
- e) 전동 공구를 실외에서 사용할 때는 실외 사용에 적합한 연장 코드를 사용하십시오. 실외 사용에 적합한 코드를 사용하면 감전 위험이 줄어듭니다.
- f) 어쩔 수 없이 습한 장소에서 전동 공구를 사용해야 하는 경우에는 누전 차단기(RCD)로 보호된 전원 공급 장치를 사용하십시오. RCD를 사용하면 감전 위험이 줄어듭니다.

3) 신체 안전

- a) 전동 공구로 작업할 때는 방심하지 말고 작업에 주의하면서 상식에 따르십시오. 피곤한 상태이거나 약물, 술, 치료제를 복용한 상태에서는 전동 공구를 사용하지 마십시오. 전동 공구를 사용하는 중에 주의력을 잃어 순간적으로 부상을 당할 수 있습니다.
- b) 신체 보호 장구를 착용하십시오. 항상 보안경을 착용하십시오. 적합한 상황에서 방진 마스크, 미끄럼 방지 안전화, 안전모 또는 청력 보호 기구 등의 보호 장비를 사용하면 신체 부상 위험이 줄어듭니다.

- c) 의도하지 않은 장비 가동 방지. 전원 및/또는 배터리 팩에 연결한 상태로 공구를 선택 또는 운반할 때는 사전에 스위치가 꺼짐 위치에 있는지 반드시 확인하십시오. 스위치가 켜짐 위치에 있는 상태에서 스위치에 손가락이 닿은 상태로 전동 공구를 운반하거나 전동 공구에 전원을 공급하면 사고가 발생합니다.
- d) 전동 공구를 켜기 전에 모든 조정 키 또는 레버를 제거하십시오. 전동공구의 회전 부품에 렌지나 키가 부착되어 있으면 부상을 당할 수 있습니다.
- e) 무리하게 팔을 뻗지 마십시오. 항상 올바른 자세로 서서 균형을 유지하십시오. 그러면 예기치 않은 상황에서 전동 공구에 대한 제어력이 향상됩니다.
- f) 적절한 의복을 착용합니다. 헐렁한 옷이나 장신구를 착용하지 마십시오. 머리카락 및 장갑이 움직이는 부품에 닿지 않도록 유의하십시오. 헐렁한 옷, 장신구 또는 긴 머리카락이 움직이는 부품에 걸 수 있습니다.
- g) 먼지 배출 및 집진 시설 연결을 위한 장치가 제공된 경우, 이들 장치가 연결되어 적절히 사용되고 있는지 반드시 확인하십시오. 집진 장치를 사용하면 먼지와 관련된 위험을 줄일 수 있습니다.

4) 전동 공구 사용 및 주의 사항

- a) 전동 공구에 무리한 힘을 가하지 마십시오. 해당 용도에 맞는 올바른 전동 공구를 사용하십시오. 올바른 전동 공구를 사용해야 설계된 속도로 작업을 더욱 안전하고 정확하게 수행할 수 있습니다.
- b) 스위치로 켜지고 꺼지지 않는 전동공구는 사용하지 마십시오. 스위치로 제어되지 않는 전동 공구는 위험하며 수리해야 합니다.
- c) 전동공구를 조정하거나 액세서리를 변경하거나 보관하기 전에 전원 및 / 또는 배터리팩에서 플러그를 빼십시오. 이러한 예방적 안전 조치를 따라야 전동 공구가 갑자기 작동할 위험이 줄어듭니다.
- d) 사용하지 않는 전동 공구는 어린이의 손이 닿지 않는 곳에 보관하고, 전동 공구나 본 지시 사항에 익숙하지 않은 사람이 전동 공구를 절대 사용하지 못하게 하십시오. 전동 공구는 훈련을 받지 않은 사용자가 다루면 위험합니다.
- e) 전동 공구 유지 보수. 움직이는 부품의 잘못된 정렬이나 바인딩, 부품 파손 및 기타 전동 공구의 작동에 영향을 미칠 수 있는 상태가 있는지 확인하십시오. 손상된 부분이 있는 경우 사용하기 전에 전동 공구를 수리하십시오. 많은 사고는 전동 공구를 제대로 유지 보수하지 않아 발생합니다.

- f) 절삭 공구를 예리하고 깨끗한 상태로 유지하십시오. 유지 보수를 올바르게 수행하여 절삭 가장자리가 예리한 절삭 공구를 사용하면 바인딩이 적고 다루기가 용이합니다.
- g) 작업 환경과 수행할 작업을 고려하여, 본 지시 사항에 따라 전동 공구, 액세서리 및 톨 비트 등을 사용하십시오. 본 사용 설명서의 내용과 다른 용도로 전동 공구를 사용하면 위험한 상황이 발생할 수 있습니다.

5) 정비

- a) 자격을 갖춘 기술자가 동일 교체 부품을 사용하여 정비 작업을 수행해야 합니다. 그래야 전동 공구의 안전이 보장됩니다.
- b) 공구를 정비할 때는 동일한 교체 부품만 사용하십시오. 본 사용 설명서 유지 보수 부분의 지시 사항을 따르십시오. 승인되지 않은 부품을 사용하거나 유지 보수 지시 사항을 따르지 않을 경우 감전이나 부상을 입을 위험이 있습니다.
- g) 손상된 액세서리는 사용하지 마십시오. 사용 전에 항상 액세서리를 검사해 연마 휠이 깎이거나 갈라지지 않았는지, 이면 패드가 갈라지거나 찢어지거나 과도하게 마모되지 않았는지, 와이어 브러시의 와이어가 느슨하게 갈라지지 않았는지 확인하십시오. 전동 공구나 액세서리를 떨어뜨린 경우에는 손상된 부분이 없는지 검사하고 손상된 부분이 있을 경우 손상되지 않은 액세서리를 설치하십시오. 액세서리를 검사 및 설치한 뒤 회전하는 액세서리 작업대에서 멀리 거리를 유지하고 전동 공구를 1분 간 최대 부하 속도로 작동시키십시오. 액세서리가 손상된 경우 보통 이 테스트 중에 떨어져 나갑니다.
- h) 신체 보호 장구를 착용하십시오. 용도에 따라 안면보호구, 안전 고글 또는 보안경을 이용하십시오. 필요에 따라 연마휠 또는 가공품 파편을 막을 수 있는 마스크, 청력보호구, 장갑 및 앞치마를 착용하십시오. 보안경은 다양한 작업으로 인해 생성되는 비산 파편들을 차단할 수 있어야 합니다. 마스크나 방독 마스크는 작업으로 인해 생성되는 먼지를 거를 수 있어야 합니다. 높은 소음에 오랫동안 노출되면 청력이 손상될 수 있습니다.

모든 조작에서의 안전 지시 사항

- a) 이 전동 공구는 광택 및 샌더로 사용할 수 있습니다. 이 전동 공구와 함께 제공되는 모든 안전 경고와 지시사항, 설명 및 사양을 읽으십시오. 아래 설명한 모든 지시 사항을 따르지 않으면 감전, 화재 및/또는 심각한 부상을 초래할 수 있습니다.
- b) 연마, 샌딩, 와이어 브러싱 또는 절삭은 이 전동 공구로 수행하기에는 적합하지 않습니다. 전동 공구 설계 용도 이외의 작업은 위험 및 부상을 유발할 수 있습니다.
- c) 공구 제조업체가 구체적으로 설계하고 권장하지 않은 액세서리는 사용하지 마십시오. 전동 공구에 부착할 수 있다고 해서 반드시 안전하게 조작할 수 있는 것은 아닙니다.
- d) 액세서리의 정격 속도는 최소한 전동 공구에 표기되어 있는 최대 속도와 같아야 합니다. 정격 속도보다 빠르게 작동하는 액세서리는 파손되어 튕겨 나갈 수 있습니다.
- e) 액세서리의 외경 및 두께는 사용하는 전동 공구의 용량 등급 이내이어야 합니다. 잘못된 규격의 액세서리는 제대로 보호하거나 제어할 수 없습니다.
- f) 휠, 플랜지, 이면 패드 또는 기타 액세서리의 추축 크기는 전동 공구의 스피indle에 꼭 맞아야 합니다. 추축 구멍이 전동 공구에 장착할 하드웨어와 맞지 않는 액세서리는 균형을 잃어 과도하게 진동하며 통제할 수 없게 됩니다.
- g) 주변 사람들이 작업 영역으로부터 안전 거리를 유지하게 하십시오. 작업 영역에 들어오는 사람들은 모두 신체 보호 장구를 착용해야 합니다. 가공품 또는 손상된 액세서리 파편이 작업 중인 곳을 벗어나 멀리 날아가 부상을 입힐 수 있습니다.
- j) 코드는 회전하는 액세서리에 닿지 않게 하십시오. 통제를 하지 못할 경우 코드가 잘리거나 감겨 작업자의 손이나 팔이 회전하는 액세서리에 끌려 들어갈 수 있습니다.
- k) 절대 액세서리가 완전히 멈출 때까지 전동 공구를 내려 놓지 마십시오. 회전 액세서리가 표면에 튕겨 전동 공구를 제어하지 못하게 될 수 있습니다.
- l) 전동 공구를 허리에 차고 이동할 때 작동시키지 마십시오. 회전 액세서리와 실수로 닿게 되면 옷이 휘감겨 액세서리가 신체에 박힐 수 있습니다.
- m) 전동 공구의 통풍구를 주기적으로 청소하십시오. 모터의 팬은 하우징 내부로 먼지를 흡입하는데 금속 가루가 너무 많이 쌓이면 전기 장치가 고장날 수 있습니다.
- n) 가연성 물질 근처에서 전동 공구를 작동시키지 마십시오. 스파크로 인해 점화될 수 있습니다.
- o) 냉각용 액체가 필요한 액세서리는 사용하지 마십시오. 물이나 기타 액체 냉매를 이용하면 감전사 또는 감전될 수 있습니다.

모든 조작에서의 추가 안전 지시 사항 반동 및 관련 경고

반동이란 회전하는 휠, 이면 패드, 브러시 또는 기타 액세서리가 꼭 끼거나 장애물에 걸려 생기는 갑작스런 반작용을 의미합니다. 장애물에 끼거나 걸리면 회전하는 액세서리가 급속히 감속되어 통제력을 잃은 전동 공구가 걸린 지점에서 액세서리 회전 방향과 반대되는 방향으로 밀립니다.

예를 들어, 연마 휠이 가공품에 걸리거나 깎이길 경우 긴 지점으로 들어가는 휠 가장자리가 가공물의 표면을 파고 들어 휠이 튀어 나올 수 있습니다. 끼인 지점에서의 휠 운동 방향에 따라 휠이 작업자 쪽 또는 반대 방향으로 튕 수 있습니다. 이런 환경에서 연마 휠도 파손될 수 있습니다.

반동은 공구를 잘못 사용하거나 잘못된 조작 절차 또는 조건으로 인해 발생할 수 있으며 아래와 같은 올바른 예방 조치를 통해 막을 수 있습니다.

- a) 전동 공구를 꼭 쥐고 반발력에 저항할 수 있는 자세를 유지하십시오. 반동이나 시동 중의 토크 반발력을 최대한 제어할 수 있도록 보조 핸들이 있으면 항상 이용하십시오. 작업자가 적절한 예방 조치를 취하면 토크 반발력이나 반동력을 제어할 수 있습니다.
- b) 절대 회전하는 액세서리 가까이에서 손을 두지 마십시오. 액세서리가 손에 튕 수 있습니다.
- c) 반동으로 인해 전동 공구가 튕 수 있는 곳에 자리잡지 마십시오. 반동은 휠이 걸린 지점에서의 휠 움직임과 반대 방향으로 공구가 튕게 합니다.
- d) 모서리, 날카로운 가장자리 등을 가공할 때는 특히 주의하십시오. 액세서리가 튀거나 걸리지 않게 하십시오. 모서리, 날카로운 가장자리 또는 탄력 있는 부분에는 회전 액세서리가 걸려 통제력을 잃거나 튀어 오르기 쉽습니다.
- e) 전기톱 목공용 날이나 톱니가 있는 톱날을 부착하지 마십시오. 이런 톱날은 반동이 생기거나 통제력을 잃게 되는 경우가 있습니다.

광택 작업에서의 안전 경고

- a) 폴리싱 보닛 또는 폴리싱 보닛의 부착용 스트링의 느슨한 부분이 마음대로 돌지 않게 하십시오. 느슨한 부착용 스트링은 모두 접어 넣거나 잘라내십시오. 부착용 스트링이 느슨해 돌게 되면 손가락에 휘감기거나 가공품에 걸릴 수 있습니다.

- b) 광택용 오일을 바르고 액세서리를 교체하기 전에 이 사용 설명서의 지침을 따르십시오.
- c) 핸들에 물기가 없고 깨끗하며 오일이 묻어 있지 않아야 합니다.

광택기에 한해 적용되는 추가 안전 지침

- 항상 보안경을 착용하십시오. 모든 사용자와 곁에 있는 사람들은 ANSI Z87.1을 준수하는 보안경을 착용해야 합니다.
- 공구를 자주 청소하십시오. 특히 거친 작업을 한 뒤에는 더 자주 하십시오. 금속 입자가 포함되어 있는 먼지와 티끌이 실내에 쌓여 감전을 일으키는 경우가 종종 있습니다.
- 본 공구를 장시간 사용하지 마십시오. 본 공구가 작동할 때 생기는 진동으로 손가락, 손 및 팔이 영구적인 부상을 입을 수 있습니다. 장갑을 사용하여 충격을 흡수하고, 자주 휴식을 취하고, 일일 사용 시간을 제한해야 합니다.
- 통풍구가 움직이는 부품을 가로막는 경우가 종종 발생하는데 이를 피해야 합니다. 헐렁한 옷, 장신구 또는 긴 머리가 움직이는 부품에 걸 수 있습니다.



항상 보호 안경을 착용하십시오. 평상시 쓰는 안경은 보호 안경이 아닙니다. 또한 절단 작업 시 먼지가 생길 경우에는 안면 마스크나 방진 마스크를 착용하십시오. 항상 인증된 안전 장구를 착용하십시오.



경고: 사용 중 ANSI S12.6 (S3.19)을 준수하는 적합한 청력 보호 장치를 착용하십시오. 사용 조건과 사용 기간에 따라 제품에서 발생하는 소음으로 인해 청력이 손상될 수도 있습니다.






경고: 본 공구의 사용으로 인하여 발생하거나 비산하는 먼지는 심각한 영구 호흡기 손상 또는 기타 손상을 초래할 수 있습니다. 항상 NIOSH/OSHA에서 미세 입자용으로 승인한 호흡기 보호 장구를 사용하십시오. 얼굴과 몸에 입자가 직접 닿지 않도록 하십시오.



주의: 휠이나 다른 액세서리가 2차 표면 또는 표면 가장자리에 닿으면 광택기가 갑작스럽게 움직일 수 있으므로 모서리 작업 중에는 극히 주의하십시오.

- 공구에 부착된 라벨에 다음 기호가 사용될 수 있습니다. 기호 및 그 정의는 다음과 같습니다.

V	볼트
A	암페어
Hz	헤르쯔
W	와트
min	분
~	교류 전류
~	직류 전류
n	정격 속도
	클래스 II 건축용
	안전 경고 기호
	접지 단자
.../min	분 당 회전수

본 지침을 잘 보관해 두십시오

모터

DEWALT 전동 공구는 DEWALT 내장형 모터에 의해 구동됩니다. 전원은 기기 명판에 적힌 사양과 일치해야 합니다. 전압이 10% 이상 떨어지면 동력이 약해지고 과열됩니다. DEWALT 공구는 공장에서 검증을 거치며 이 공구가 작동하지 않으면 전원 공급 장치를 점검하십시오.

부품(그림 1)



경고: 전공 공구 또는 전동 공구의 어떤 부품도 절대 개조하지 마십시오. 제품이 파손되거나 신체 부상을 당할 수도 있습니다.

- 속도 제어 다이얼
- 벨크로 이면 패드
- 가변 속도 트리거 스위치
- 브러시 검사 캡
- 스핀들 잠금 버튼
- 보조 핸들
- 트리거 잠금 버튼
- 형 핸들
- 스핀들
- 소프트 러버 기어 케이스 커버
- 올 먼지 필터
- 나사
- 올 패드

용도

DWP849X 고성능 광택기는 다양한 작업 현장(예: 건설 현장)의 전문가를 위해 제작되었습니다. 습한 환경이나 가연성 액체 또는 가스가 있는 장소에서 사용하지 마십시오. DWP849X 고성능 광택기는 전문가용 전동 공구입니다. 어린이가 이 공구를 만지지 않도록 하십시오. 경험이 없는 작업자가 이 공구를 사용할 때는 감독자의 지도가 필요합니다.

보조 핸들(그림 1)

보조 핸들(F)은 공구에 비치되어 있으며 기어 케이스의 어느 쪽에든 설치할 수 있습니다. 공구를 완벽히 제어하려면 항상 이 핸들을 사용하는 것이 좋습니다. DWP849X에는 D형 핸들(H)도 제공되며 보조 핸들 대신 사용할 수 있습니다.

가변 속도 트리거 스위치 (그림 1)

이 공구에는 0부터 3500 RPM까지 속도를 제어할 수 있는 가변 속도 트리거 스위치가 장착되어 있습니다. 공구를 켤 때는 공구 가동이 시작될 때까지 그림 1에 표시된 트리거 스위치(O)를 꼭 쥐십시오. 트리거를 더 많이 누를수록 작동 속도가 빨라집니다. 트리거를 풀면 공구가 꺼집니다.

액상 왁스를 바를 때는 속도를 낮추고 건조된 액상 왁스를 제거할 때는 속도를 높이십시오. 광택 마감을 위한 버핑을 하려면 최고 속도를 이용하십시오(트리거를 최대한 당김). 트리거 스위치를 완전히 당기고 그림 1의 잠금 버튼(G)을 누르면 공구 작동을 고정시켜 연속으로 가동시킬 수 있습니다. 트리거 스위치를 살짝 놓으면 잠금 버튼이 고정됩니다. 이제 공구가 계속 작동 됩니다. 잠금 위치에서 공구를 끄려면 트리거 스위치를 쥐었다 놓으십시오. 스위치를 잠금 상태로 둔 채 공구의 플러그를 뽑지 마십시오. 플러그를 꽂을 때는 공구가 잠금 상태가 아닌지 확인하십시오. 스위치를 잠금 위치에 둔 채 공구의 플러그를 꽂으면 잠금 버튼(G)을 누를 때까지(전류가 흐르지 않음)공구가 작동하지 않습니다.

참고: 트리거 스위치는 공구를 속도 제어 다이얼(A)로 지정한 최대 RPM에서 가동할 때만 잠글 수 있습니다.

속도 제어 다이얼(그림 1)

공구의 최대 속도는 속도 제어 다이얼(A)을 지정된 설정으로 돌리면 변경할 수 있습니다. 다이얼에는 우발적인 다이얼의 움직임을 막고 속도 선택을 쉽게 해 주는 걸쇠가 달려 있습니다. 융통성을 높이기 위해 트리거 스위치는 최대 작동 속도 위치 및 속도 제어 다이얼(A)로 변경한 공구 속도로 잠글 수 있습니다. 전자 속도 제어 기능은 작업에 맞는 속도를 선택할 수 있을 뿐 아니라 공구를 아래로 눌러 부하가 증가할 때 선택된 속도를 유지하는 데도 도움이 됩니다. 이 공구의 가치를 높여 주는 것은 바로 가변 속도 트리거 스위치와 결합된 이 기능입니다.

속도 제어 다이얼(A)은 600 ~ 3500 RPM 사이의 어떤 속도로나 설정할 수 있으며, 그런 뒤 가변 속도 스위치를 이용해 공구 속도를 0부터 다이얼 설정값까지 제어합니다. 예: 제어 다이얼을 2200 RPM으로 설정하면 트리거 스위치를 당기는 수준에 따라 가변 속도 스위치를 이용해 공구를 0부터 2200 RPM 사이에서 작동시킬 수 있습니다. 600RPM으로 다이얼을 설정하면 공구를 0부터 600RPM까지 작동시킬 수 있습니다.

트리거 스위치를 끌 때까지 당겨 제어 다이얼의 설정에 의해 결정된 선택 속도로 공구가 작동하면 전자 속도 제어 기능이 작동합니다. 작업면에 대고 공구를 눌러 부하가 증가하면(트리거를 끌 때까지 당김) 공구 안쪽의 전자 회로가 부하 증가분 만큼 보정해 선택한 속도를 유지합니다. 제어 다이얼로 선택한 속도가 2200 RPM이면 부하가 증가해도 공구는 2200 RPM을 유지합니다.

전자 속도 제어 기능에 대해 다음 두 가지를 기억해 두어야 합니다:

1. 전자 속도 제어 기능은 트리거 스위치(C)를 완전히 당긴 경우에만 작동합니다.
2. 전자 속도 제어 기능의 효과는 높은 속도보다는 낮은 속도 설정(2600 RPM)에서 잘 관찰됩니다. 공구의 속도가 3000 RPM에 달하면 효과는 크게 줄어듭니다.

2400 RPM의 무부하 속도로 작동하는 일반적인 광택기의 경우, 광택 부하가 걸리면 약 2000 RPM으로 공구 작동 속도가 떨어진다는 점을 유념하십시오. DWP849X는 부하가 걸리더라도 2400 RPM 또는 제어 다이얼로 선택한 속도로 계속 작동합니다. 속도가 느려지지 않기 때문에 다른 제품을 사용할 때보다 속도가 빠르게 느껴질 수 있으므로 이 광택기에 익숙해질 때까지 좀 더 주의해야 합니다. 물론 속도가 너무 빠르게 느껴지면 트리거 스위치나 제어 다이얼을 이용해 공구 속도를 낮추면 됩니다.

스핀들 잠금 버튼(그림 1)



경고: 심각한 신체 부상의 위험을 줄이려면 부착물 또는 액세서리를 조정하거나 제거/설치하기 전에 공구를 끄고 전원에서 공구 플러그를 빼십시오. 공구를 다시 연결하기 전에 트리거 스위치를 당겼다 놓아 공구가 꺼졌는지 확인하십시오.

액세서리를 설치 또는 제거하는 동안 공구의 스핀들이 회전하지 않게 하는 스핀들 잠금 버튼(E)이 공구의 기어 헤드에 달려 있습니다. 스핀들을 잠그려면 잠금 버튼을 당겨 고정시키십시오. 공구가 작동 중이거나 공회전하는 동안에는 스핀들 잠금 버튼을 절대 당기지 마십시오.

울 먼지 필터 (그림 1, 2)

울 먼지 필터(K)는 정상적인 사용 중에 모터에 빨려드는 울, 먼지 및 부스러기 양을 줄이기 위해 설계되었습니다. 먼지 필터의 목표는 먼지 필터가 없는 공구에 비해 내구성을 향상시키는 것입니다.

장착 나사(L)를 제거하고 필터를 뒤쪽에 있는 트리거 쪽으로 민 뒤 들어 올리면 먼지 필터를 간단히 분리해 청소할 수 있습니다. 울 먼지 필터가 광택제 및 파편으로 인해 막히면 비눗물과 부드러운 강모 브리시를 이용해 청소할 수 있습니다. 바깥쪽에 먼지가 쌓이는게 보이면 즉시 필터를 청소하십시오. 공구를 구입하면 울 먼지 필터가 함께 제공됩니다. 추가 비용을 부담하면 인근 지역에 있는 판매점이나 공인 서비스 센터에서 울 먼지 필터를 구입할 수 있습니다.

소프트 러버 기어 케이스 커버(그림 1)

소프트 러버 기어 케이스 커버(O)는 도장 또는 광택 처리한 표면에 금속 기어 케이스 자국이 생기지 않도록 설계되어 있습니다.

소프트 러버 기어 케이스 커버는 필요하면 제거할 수 있습니다. 커버를 벗기려면 장착용 나사 세 개를 분리한 뒤 기어 케이스 위로 커버를 들어 올리십시오.

공구를 구입하면 소프트 러버 기어 케이스 커버가 들어 있습니다. 추가 비용을 부담하면 인근 지역에 있는 판매점이나 공인 서비스 센터에서 소프트 러버 기어 케이스 커버를 구입할 수 있습니다.

작동



경고: 심각한 신체 부상의 위험을 줄이려면 부착물 또는 액세서리를 조정하거나 제거/설치하기 전에 공구를 끄고 전원에서 공구 플러그를 빼십시오. 공구를 다시 연결하기 전에 트리거 스위치를 당겼다 놓아 공구가 꺼졌는지 확인하십시오.

광택용 패드 부착 및 분리(그림 3)



경고: 심각한 부상 위험을 막기 위해 폴리스 보닛 또는 폴리스 보닛의 부착용 스트링의 느슨한 부분이 마음대로 돌지 않게 하십시오. 느슨한 부착용 스트링은 모두 접어 넣거나 잘라내십시오. 부착용 스트링이 느슨해 돌게 되면 손가락에 휘감기거나 가공품에 걸릴 수 있습니다.

참고: DWP849X는 아래 설명한 광택용 패드 어셈블리 유형 중 어느 것이든 사용할 수 있습니다.

벨크로 이면 패드가 달린 광택용 패드를 부착하려면(그림 3)

1. 폼 또는 울 패드와 중심을 조심스럽게 맞추면서 벨크로 폼 또는 울 패드(M)를 벨크로 이면 패드(B)에 부착하십시오.
2. 스피들 잠금 버튼(E)을 누르면서 나사로 이면 패드(B)를 스피들(I)에 고정하십시오.

패드 제거 방법

패드를 정상 회전 방향과 반대 방향으로 손으로 돌려 잠금 버튼이 스피들에 고정되도록 한 뒤 패드를 오른 나사의 정상 회전 방향으로 돌려 분리하십시오.

광택

이 지침 및 제안 사항은 새 작업자가 전반적인 전동 광택 작업에 친숙해지도록 하기 위한 것입니다. 전동 광택기 사용 방법을 배우면서 작업을 보다 쉽고 빠르게 수행할 수 있는 자신만의 기술을 개발하게 될 것입니다.

- 차체의 급격하게 구부러지는 부분 주변이나 윗부분을 전동 광택기를 이용해 작업할 때는 극히 주의해야 합니다. 자동차 차체의 다양한 부분에 광택 작업을 하는 동안에는 정확한 압력을 유지하는 것이 매우 중요합니다. 예를 들어 차체 패널의 날카롭게 꺾어지는 부분 또는 천정의 배수로 가장자리에는 낮은 압력을 적용해야 합니다.
- 모든 사람들이 동일한 유형의 전동 광택을 하지는 않으므로 먼저 시험적으로 차량의 평평한 부분을 청소하고 광택 처리해 보는 것이 바람직합니다. 이 시험 작업 영역에서 자신이 하는 전동 광택의 강도나 청소 작업을 판단할 수 있습니다.
- 전동 광택은 모두 차이가 있다는 것을 기억하십시오. 브랜드와 도장 표면에 따라 광택기의 반응에 차이가 있습니다. 아울러 이제는 전동 광택기를 사용하고 있습니다. 전동 광택기는 전에 해 보았을 수작업과는 완전히 다릅니다. 전동 광택을 하기 전에 세차를 하십시오. 세차를 하면 도장을 마모시키고 훼손시킬 수 있는 살짝 묻어 있는 먼지, 오물, 노상 염분 등이 제거됩니다. 살짝 붙어 있는 먼지 등은 광택용 패드도 막기 때문에 자주 청소해야 합니다.
- 공구를 켜지 않은 상태로 공구의 핸들을 쥐고 들어 올리십시오. 몸에서 멀리 한 채로 트리거 스위치를 누르십시오. 핸들을 꼭 쥐고 너무 힘들이거나 불필요한 압력을 주지 않고도 공구를 자유롭게 다룰 수 있는지 확인하십시오. 사이드 핸들은 공구의 어느 쪽으로든 쉽게 옮겨 왼손 또는 오른손으로 작업할 수 있습니다.

참고: 자동차 표면에 대한 폴리싱 보닛의 고속 연마 작업을 하면 이 공구의 금속 부분에 정전기가 축적될 수 있습니다. 이럴 경우 공구의 금속 부위를 만지면 매우 짧은 시간 동안 약한 전기 쇼크를 느끼게 되며 습도가 낮은 경우 더욱 쉽게 눈에 띕니다. 무해하긴 하지만 전기 고장이 발생하지 않았는지 확인할 수 있게 DEWALT 서비스 센터에 공구를 가져가 보는 것이 좋습니다.

유지 보수

전동 공구는 최소한의 유지 보수로 장기간에 걸쳐 작업이 가능하도록 설계되어 있습니다. 연속 작동은 적절한 공구 관리와 정기적인 청소에 따라 그 성능이 달라질 수 있습니다.



경고: 심각한 신체 부상의 위험을 줄이려면 부착물 또는 액세서리를 조정하거나 제거/설치하기 전에 공구를 끄고 전원에서 공구 플러그를 빼십시오. 공구를 다시 연결하기 전에 트리거 스위치를 당겼다 놓아 공구가 꺼졌는지 확인하십시오.

청소



경고: 일주일에 한 번 이상, 건조한 공기로 모든 통풍구에서 먼지를 불어내십시오. ANSI Z87.1 (CAN/CSA Z94.3) 눈 보호 장구 및 적절한 NIOSH/OSHA/MSHA 호흡기 보호 장구를 착용하십시오.



경고: 공구의 금속 이외 부품을 청소할 때는 용제 등의 강력한 화학약품을 절대 사용하지 마십시오. 이러한 화학약품은 이 부분에 사용된 플라스틱 소재가 약해질 수 있습니다. 형광에 물과 순한 비누를 적서 닦아주십시오. 공구 내부에 액체를 넣거나 공구 부품을 액체에 담그는 행동은 절대 금물입니다.

윤활방법

DEWALT 전동 공구는 적절히 윤활 처리되어 출고되기 때문에 구입 즉시 사용이 가능합니다. 이후 사용 환경에 따라 정기적으로 60일부터 6개월 사이의 간격으로 공구를 다시 윤활해야 합니다. (공장이나 헤비듀티 작업에서 계속적으로 사용되는 공구나 열에 노출되는 공구는 윤활을 더 자주 해야 합니다.) 이러한 윤활 작업은 DEWALT 서비스 센터 또는 다른 공인 서비스 센터에 소속된 숙련된 전동 공구 수리 기술자만이 수행해야 합니다.

모터 브러시

브러시를 검사할 때는 반드시 플러그를 뽑으십시오. 카본 브러시는 정기적으로 마모 상태를 점검해야 합니다. 브러시를 검사하기 위해 플라스틱 브러시 검사 캡(모터 하우징 측면에 있음)을 풀면 스프링과 브러시 어셈블리가 공구에서 빠져 나옵니다. 브러시가 깨끗하고 가이드에서 매끄럽게 미끄러지도록 유지하십시오.



주의: 본 공구를 위해 설계된 DEWALT 공인 카본 브러시만 사용하십시오. 올바른 카본 브러시는 인근 판매점이나 공인 서비스 센터에 문의하십시오. 본 공구용으로 설계된 것이 아니거나 DEWALT의 공인을 받지 않은 카본 브러시를 사용할 경우 공구가 손상되어 심각한 부상을 유발할 수 있습니다.

액세서리



경고: DEWALT에서 제공하지 않은 액세서리는 본 제품에서 테스트되지 않았으므로 본 제품에서 이러한 액세서리를 사용하면 위험할 수 있습니다. 신체 부상의 위험을 줄이려면 본 제품에 DEWALT 권장 액세서리만 사용해야 합니다.

본 공구와 함께 사용을 권장하는 액세서리는 해당 지역에 있는 판매점이나 공인 서비스 센터를 통해 구입할 수 있습니다. 액세서리를 찾는 데 도움이 필요하면 인근 DEWALT 제품 판매점에 문의하십시오.

공구의 명판에 적힌 가장 높은 "정격 RPM" 이상의 최대 작동 속도를 갖는 액세서리만 이용하십시오. 다음 예방 조치는 모든 공구의 액세서리에 적용됩니다.

- 러버 이면 패드: 7" (18.0 cm) 신축 교체 가능하고 유연성이 매우 뛰어난 고무 이면 패드(클램프 와셔 포함)
- 7" (18.0 cm) 벨크로 이면 패드
- 소프트 러버 기어 케이스 커버
- 울 먼지 필터
- 보조 핸들
- D형 핸들

수리

제품 안전과 신뢰성을 보장하기 위해 수리, 유지 보수 및 조정 작업(브러시 검사 및 교체 포함)은 DEWALT 공장 서비스 센터, DEWALT 공인 서비스 센터 또는 자격을 갖춘 다른 서비스 기사를 통해 수행해야 합니다. 항상 동일한 교체 부품을 사용하십시오.

옵션 액세서리



경고: DEWALT에서 제공하지 않은 액세서리는 본 제품에서 테스트되지 않았으므로 본 제품에서 이러한 액세서리를 사용하면 위험할 수 있습니다. 신체 부상의 위험을 줄이려면 본 제품에 DEWALT 권장 액세서리만 사용해야 합니다.

해당 액세서리에 대한 자세한 정보는 판매 대리점으로 문의하십시오.

액세서리 유지 보수

적시에 액세서리를 유지 보수하면 사용 시 최상의 결과와 효율적이고 오래 가는 액세서리 수명을 보장합니다.

환경 보호



분리 수거. 본 제품을 일반 가정용 쓰레기로 처리하면 안 됩니다.

DeWALT 제품을 교체해야 하거나 더 이상 쓸모가 없어졌다고 판단될 때는 본 제품을 가정용 쓰레기와 함께 처리하지 마십시오. 이 제품은 분리 수거하십시오.



사용하던 제품과 포장물 분리 수거하면 자원을 재활용 및 재사용할 수 있습니다. 재활용 자원을 이용하면 환경 오염이 방지되고 고철 자원에 대한 수요를 줄일 수 있습니다.

지역에 따라 가정용 가전제품을 분리 수거하는 규정이 마련되어 있거나 새로운 제품을 구입할 때 판매점에서 폐기 방법을 알려줄 수 있습니다.

เครื่องขัดเงา DWP849X

ขอแสดงความยินดีด้วย !

คุณได้เลือกใช้เครื่องมือไฟฟ้า "ดีวอลท์" ด้วยประสบ การณ์หลายปีที่ผ่านมาในการพัฒนาผลิตภัณฑ์ และนวัตกรรมขั้นเลิศ ทำให้ "ดีวอลท์" เป็นหนึ่งในเครื่องมือ ไฟฟ้าที่น่าเชื่อถือที่สุดสำหรับผู้ใช้งานระดับมืออาชีพ

ข้อมูลทางด้านเทคนิค

		DWP849X
แรงดันไฟฟ้า	ดีซีโวลต์	220-240
พิกัดความถี่	เฮิรตซ์	50/60
กำลังไฟเข้า	วัตต์	1250
ความเร็วขณะไม่มีโหลด	รอบต่อนาที	0-600/0-3500
แปรงป้อนปลั๊ก		ใช่
แกนหมุน		M14
มือจับข้าง		ช่วยจับ/เบล
น้ำหนัก	กก.	3.0

คำนิยาม: หลักปฏิบัติเพื่อความปลอดภัย

คำนิยาม ด้านล่างนี้ จะแสดงระดับความรุนแรงของ ความเสี่ยงสำหรับสัญลักษณ์ แต่ละตัว โปรดอ่านคู่มือนี้ และเอาใจใส่ต่อสัญลักษณ์เหล่านี้



อันตราย: แสดงว่ามีเงื่อนไขที่ใกล้จะเกิดอันตราย ซึ่งถ้าไม่หลีกเลี่ยงจะก่อให้เกิดการเสียชีวิตหรือบาดเจ็บสาหัส



คำเตือน: แสดงว่ามีเงื่อนไขอันตรายที่แฝงอยู่ ซึ่งถ้าไม่หลีกเลี่ยง จะก่อให้เกิดการเสียชีวิตหรือบาดเจ็บสาหัส



ข้อควรระวัง: แสดงว่ามีเงื่อนไขอันตรายที่แฝงอยู่ ซึ่งถ้าไม่หลีกเลี่ยง จะก่อให้เกิดการอันตรายในระดับหนึ่งได้

ข้อควรระวัง: ใช้เครื่องมือในกรณีที่ไม่มีความปลอดภัย แสดงว่ามีเงื่อนไขอันตรายที่แฝงอยู่ ซึ่งถ้าไม่หลีกเลี่ยง จะก่อให้เกิดความเสียหายต่อทรัพย์สินได้



แสดงเตือนถึงอันตรายจากไฟฟ้าช็อต



แสดงเตือนถึงอันตรายจากไฟไหม้



คำเตือน: เพื่อลดความเสี่ยงของการบาดเจ็บ ให้อ่านหนังสือคู่มือการใช้งาน



สวมแว่นนิรภัยเสมอ

ฉนวนสองชั้น



เครื่องมือนี้มีความสองชั้น ฉนวนสองชั้นหมายความว่าทุกชิ้นส่วนโลหะภายนอกทั้งหมดมีฉนวนไฟฟ้ากันออกจากแหล่งจ่ายไฟหลักซึ่งกระทำโดยวางกำแพง ฉนวนระหว่าง ชิ้น ส่วนไฟฟ้า และเครื่องกลเพื่อมิให้ เครื่องมือเกิดไฟฟ้วโดยไม่จำเป็น

หมายเหตุ : ฉนวนสองชั้นไม่ใช่การแทนที่ ข้อควรระวัง ความปลอดภัยตามปกติ ในขณะที่ใช้เครื่องมือนี้

คำเตือนด้านความปลอดภัยทั่วไปจากการใช้ เครื่องมือไฟฟ้า



คำเตือน! อ่านคำเตือน และคำแนะนำด้าน ความปลอดภัยทั้งหมด การไม่ปฏิบัติตาม คำเตือนและคำแนะนำเหล่านี้ อาจทำให้ถูกไฟดูด เกิดเพลิงไหม้และ/หรือบาดเจ็บสาหัสได้

จัดเก็บเอกสารคำเตือนและคำแนะนำทั้งหมดไว้เพื่อการอ้างอิงในภายหลัง

คำว่า "เครื่องมือไฟฟ้า" ในคำเตือน หมายถึงเครื่องมือไฟฟ้า ที่ทำงานผ่านสายเมน (มีสาย) หรือแบตเตอรี่ (ไม่มีสาย)

1) ความปลอดภัยในบริเวณที่ทำงาน

- รักษาความสะอาดและจัดให้มีแสงสว่างเพียงพอในบริเวณที่ทำงาน บริเวณที่ คับแคบหรือมืดทำให้เกิดอุบัติเหตุได้
- ห้ามใช้เครื่องมือไฟฟ้าในบริเวณที่อาจเกิดการระเบิด เช่น เมื่อมีของเหลวไวไฟ แก๊ส หรือ ฟุ้งละออง เครื่องมือไฟฟ้าจะทำให้เกิดประกายไฟที่อาจทำให้เกิดละอองไฟหรือเปลวไฟขึ้นได้
- ระวังไม่ให้เด็กเล็กและคนเดินผ่านไปมาเข้าใกล้ในขณะที่ ใช้งานเครื่องมือไฟฟ้า สังเกตรอบอาจทำให้คุณเสียสมาธิได้

2) ความปลอดภัยทางไฟฟ้า

- ก) ปลั๊กไฟของเครื่องต้องเป็นชนิดเดียวกับตัวรับ ห้ามดัดแปลงปลั๊กไม่ว่าจะด้วยวิธีใด ห้ามใช้ตัวแปลงกับเครื่องมือไฟฟ้าที่ต่อสายดิน ปลั๊กที่ไม่มีการดัดแปลงและตัวรับชนิดเดียวกันจะช่วยลดความเสี่ยงจากการถูกไฟดูด
- ข) หลีกเลี่ยงการสัมผัสพื้นผิวที่ต่อสายดิน เช่น ท่อหม้อน้ำ เตาหุงต้ม และตู้เย็น มีความเสี่ยงเพิ่มขึ้นที่จะถูกไฟดูดหากร่างกายเป็นสื่อเชื่อมต่อลงดิน
- ค) อย่าให้เครื่องมือไฟฟ้าถูกฝนหรือเปียกน้ำ น้ำที่เข้าเครื่องมือไฟฟ้าจะทำให้ความเสี่ยงในการถูกไฟดูดเพิ่มขึ้น
- ง) ระวังอย่าให้สายไฟขาด ห้ามใช้สายไฟเพื่อหิ้ว ดึงหรือถอดปลั๊กเครื่องมือไฟฟ้า เก็บสายไฟให้พ้นจากความร้อน น้ำมัน ของมีคม หรือชิ้นส่วนที่กำลังเคลื่อนที่ สายไฟที่ขาดหรือพันกันเป็นการเพิ่มความเสี่ยงจากการถูกไฟดูด
- จ) เมื่อใช้เครื่องมือไฟฟ้ากลางแจ้ง ให้ใช้สายพ่วงที่เหมาะสมสำหรับการใช้งานกลางแจ้ง ใช้สายไฟที่เหมาะสมสำหรับการใช้งานกลางแจ้งเพื่อลดความเสี่ยงในการถูกไฟดูด
- ฉ) หากไม่สามารถหลีกเลี่ยงการใช้เครื่องมือไฟฟ้าในบริเวณที่ชื้นและได้ ให้ใช้อุปกรณ์ป้องกันไฟฟ้าสะสม (RCD) ที่จัดให้ ใช้ RCD เพื่อลดความเสี่ยงจากการถูกไฟดูด

3) ความปลอดภัยส่วนบุคคล

- ก) ดินตัวและมีสมาธิกับสิ่งที่ถูกกำลังทำ รวมทั้งใช้สามัญสำนึกในขณะที่กำลังใช้งานเครื่องมือไฟฟ้า ห้ามใช้เครื่องมือไฟฟ้าในขณะที่ถูกกำลังเหนียวหรือได้รับอิทธิพลจากยา แอลกอฮอล์ หรือการรักษาบางอย่าง การขาดความระมัดระวังในการใช้เครื่องมือไฟฟ้าแม้ขณะหนึ่งอาจทำให้บาดเจ็บสาหัสได้
- ข) ใช้อุปกรณ์ป้องกันส่วนบุคคล สวมอุปกรณ์ป้องกันดวงตาเสมอ อุปกรณ์ป้องกัน เช่น หน้ากากกันฝุ่น รองเท้านิรภัยกันลื่น หมวกนิรภัย หรืออุปกรณ์ป้องกันเสียงดังสำหรับสภาพที่เหมาะสมจะช่วยลดอาการบาดเจ็บส่วนบุคคล
- ค) ป้องกันการสแตร์ทเครื่องโดยไม่ได้ตั้งใจ สวิตช์ต้องอยู่ในตำแหน่งปิดก่อนเสียบปลั๊กของเครื่องเข้ากับแหล่งจ่ายไฟ และ/หรือแบตเตอรี่ ยกหรือหิ้วเครื่องมือ การยกเครื่องมือไฟฟ้าในขณะที่นิ้วอยู่ที่สวิตช์ หรือใช้เครื่องมือไฟฟ้าที่สวิตช์เปิดอยู่ อาจทำให้เกิดอุบัติเหตุได้
- ง) ถอดกุญแจปรับแต่งหรือประแจออกก่อนเปิดสวิตช์เครื่องมือไฟฟ้า ประแจหรือกุญแจที่เสียบคาไว้กับชิ้นส่วนที่กำลังหมุนของเครื่องมือไฟฟ้าอาจทำให้ได้รับบาดเจ็บได้

- จ) หลีกเลี่ยงเขย่งเท้าขณะใช้เครื่อง ควรยืนในท่าที่เหมาะสมและสมดุลตลอดเวลา เพื่อช่วยในการควบคุมเครื่องมือไฟฟ้าได้ดียิ่งขึ้นในสถานการณ์ที่ไม่คาดคิด
- ฉ) แต่งกายให้เหมาะสม ห้ามสวมเสื้อผ้าหลวมหรือใส่เครื่องประดับ รวบผม ชายเสื้อ และถุงมือให้ห่างจากชิ้นส่วนที่กำลังหมุน เสื้อผ้าที่หลวมหรือยาว รุมิราม เครื่องประดับ หรือผมที่ยาวอาจเข้าไปพันกับชิ้นส่วนที่กำลังหมุน
- ช) หากมีอุปกรณ์สำหรับเก็บฝุ่นและรวบรวมเศษไม้ ต้องเชื่อมต่ออุปกรณ์เหล่านั้นและนำมาใช้งานอย่างเหมาะสม การใช้อุปกรณ์เก็บฝุ่นจะช่วยลดอันตรายที่เกี่ยวข้องกับฝุ่นได้

4) การใช้และการดูแลรักษาเครื่องมือไฟฟ้า

- ก) ห้ามฝืนใช้เครื่องมือไฟฟ้า เลือกใช้เครื่องมือไฟฟ้าที่ถูกต้องตรงกับลักษณะการใช้งานของคุณ เครื่องมือไฟฟ้าที่ถูกต้องย่อมทำงานได้ดีกว่าและปลอดภัยกว่า ในอัตราที่เครื่องมือได้รับการออกแบบมา
- ข) ห้ามใช้เครื่องมือไฟฟ้าถ้าสวิตช์เปิดปิดเครื่องไม่ทำงาน เครื่องมือไฟฟ้าที่ไม่สามารถควบคุมผ่านสวิตช์ได้ มีอันตรายและต้องส่งซ่อม
- ค) ถอดปลั๊กของเครื่องมือไฟฟ้าออกจากแหล่งจ่ายไฟ และ/หรือ แบตเตอรี่ก่อนทำการปรับแต่ง เปลี่ยนอุปกรณ์เสริม หรือจัดเก็บ มาตรการเพื่อความปลอดภัยเชิงการป้องกันนี้จะช่วยลดความเสี่ยงในการผล็อยเปิดเครื่องให้ทำงานโดยไม่ได้ตั้งใจ
- ง) เก็บเครื่องมือไฟฟ้าที่พร้อมใช้งานไว้ให้พ้นมือเด็ก และไมอนุญาตให้บุคคลที่ไม่คุ้นเคยกับเครื่องมือไฟฟ้าหรือคำแนะนำเหล่านี้เป็นผู้ใช้ เครื่องมือไฟฟ้าที่พร้อมใช้งานจะเป็นอันตรายหากอยู่ในมือผู้ใช้ที่ไม่มีความชำนาญ
- จ) นำรูกรักษาเครื่องมือไฟฟ้า ตรวจสอบการวางตำแหน่งหรือการต่อชิ้นส่วนที่เคลื่อนที่ จุดเชื่อมต่อชิ้นส่วนและสภาพอื่นๆ ที่อาจส่งผลกระทบต่อการทำงานของเครื่องมือไฟฟ้า หากชำรุดเสียหาย ให้ส่งซ่อมก่อนนำมาใช้ อุบัติเหตุมากมายเกิดจากเครื่องมือไฟฟ้าที่มีระบบการดูแลรักษาไม่ดีพอ
- ฉ) เครื่องมือตัดต้องคมและสะอาดอยู่เสมอ เครื่องมือตัดที่ผ่านการดูแลรักษาที่เหมาะสมและมีขอบสำหรับงานตัดที่คม จะไม่ค่อยเกิดปัญหาและความคมได้ง่าย
- ช) ใช้เครื่องมือไฟฟ้า อุปกรณ์เสริมและชุดอุปกรณ์ต่างๆ ให้สอดคล้องกับคำแนะนำเหล่านี้ โดยพิจารณาถึงสภาพการทำงานและงานที่ ทำเป็นสำคัญ การใช้เครื่องมือไฟฟ้าทำงานอื่นนอกเหนือจากที่กำหนดไว้ อาจทำให้เกิดอันตรายได้

5) การบริการ

- ก) ให้ช่างซ่อมที่มีความเชี่ยวชาญเป็นผู้ซ่อมเครื่องมือและใช้อะไหล่เท่านั้น ซึ่งจะช่วยรับประกันได้ว่าเครื่องมือไฟฟ้ายังมีความปลอดภัยอยู่
- ข) เมื่อซ่อมแซมเครื่องมือ ให้ใช้อะไหล่ที่เหมือนกันเท่านั้น ปฏิบัติตามคำแนะนำในส่วนการบำรุงรักษาของคู่มือนี้ การใช้ชิ้นส่วนที่ไม่ได้รับอนุญาตหรือการไม่ปฏิบัติตามคำแนะนำของการบำรุงรักษาอาจสร้างความเสี่ยงต่อการถูกไฟฟ้าดูดหรือได้รับบาดเจ็บ

คำแนะนำเพื่อความปลอดภัยสำหรับการปฏิบัติการทั้งหมด

- ก) เครื่องไฟฟ้านี้ใช้สำหรับงานตัด
โปรดอ่านคำเตือนด้านความปลอดภัย คำแนะนำ ภาพประกอบ และคุณสมบัติทั้งหมดของเครื่องมือนี้
การไม่ปฏิบัติตามรายการคำแนะนำทั้งหมดอาจก่อให้เกิดไฟฟ้าช็อต ไฟไหม้ และ / หรือบาดเจ็บร้ายแรง
- ข) ไม่แนะนำให้ใช้กับเครื่องมืออื่นในงานตัดหรือใช้ตัดการใช้งานกับงานที่ไม่ได้กำหนดมาให้ อาจก่อให้เกิดอันตรายและเกิดการบาดเจ็บขึ้นได้
- ค) ห้ามใช้อุปกรณ์เสริมที่ไม่ได้ออกแบบให้โดยเฉพาะและไม่ได้แนะนำโดยผู้ผลิตเครื่องมือ อุปกรณ์เสริมสามารถประกบกับเครื่องมือไฟฟ้าของคุณได้ แต่ไม่สามารถรับประกันความปลอดภัยในการทำงาน
- ง) อัตราความเร็วของอุปกรณ์เสริมอย่างน้อยต้องเท่ากับความเร็วสูงสุดที่ระบุไว้บนเครื่องมือไฟฟ้า อุปกรณ์เสริมที่ทำงานเร็วกว่าอัตราความเร็วที่ระบุไว้ของอุปกรณ์เสริมนั้นสามารถแตกเสียหายหรือแยกชิ้นส่วนได้
- จ) เส้นผ่าศูนย์กลางภายนอกและความหนาของอุปกรณ์เสริมของท่านต้องอยู่ภายในอัตราความจุของเครื่องมือไฟฟ้าของท่าน อุปกรณ์เสริมที่มีขนาดไม่ถูกต้องจะไม่สามารถได้รับการปกป้องหรือควบคุมได้เพียงพอ
- ฉ) ขนาดแกนของล้อ หน้าแปลน แผ่นรอง หรืออุปกรณ์เสริมอย่างอื่นต้องเข้ากับแกนของเครื่องมือไฟฟ้าอย่างถูกต้อง อุปกรณ์เสริมที่มีรูแกนที่ไม่เข้ากับฮาร์ดแวร์ติดตั้งของเครื่องมือไฟฟ้าจะทำงานโดยขาดความสมดุลย์ เกิดการสั่นสะเทือนที่รุนแรงและอาจสูญเสียการควบคุมได้
- ช) อย่าใช้อุปกรณ์เสริมที่เสียหาย ก่อนใช้งานทุกครั้ง ให้ตรวจเช็คอุปกรณ์เสริม เช่น รอยบิ่นหรือรอยร้าวของแผ่นขัด รอยร้าว ฉีกขาดหรือสึกกร่อนมากไปของแผ่นรอง ความหลวมหรือแตกร้าวของแปรงลวด ถ้าทำเครื่องมือไฟฟ้าตก ให้ตรวจเช็คความเสียหายหรือติดตั้งอุปกรณ์เสริมตัวใหม่ หลังจากตรวจสอบและติดตั้งอุปกรณ์เสริมให้ตัวท่านและผู้สังเกตการณ์อยู่ในตำแหน่งที่ห่างจากระดับการหมุนของอุปกรณ์เสริม และเปิดเครื่องมือไฟฟ้าทำงานโดยไม่มีโหลดในระดับสูงสุด 1 นาที อุปกรณ์เสริมที่เสียหายจะแตกสลายในระหว่างการทดลองนี้

- ช) สวมอุปกรณ์ป้องกันส่วนบุคคล โดยขึ้นอยู่กับการทำงานไปทำงาน เช่น หน้ากากกันภัย แว่นตากันภัยหรือแว่นตาป้องกัน และใช้อุปกรณ์ป้องกันตามความเหมาะสม เช่น หน้ากากกันฝุ่น อุปกรณ์ป้องกันเสียง ถุงมือและผ้ากันเปื้อนที่สามารถกันการขีดสีหรือจากเศษงานชิ้นเล็กๆ การป้องกันตาต้องสามารถกันการกระเด็นของชิ้นส่วนที่เกิดจากการทำงานทั้งหลาย หน้ากากกันฝุ่นหรือเครื่องช่วยหายใจต้องสามารถกรองอนุภาคที่เกิดจากการทำงานของท่าน การสัมผัสกับเสียงความเข้มสูงเป็นเวลานานอาจทำให้สูญเสียการได้ยิน
- ณ) ให้ผู้สังเกตการณ์รักษาระยะห่างที่ปลอดภัยจากพื้นที่ทำงาน ผู้ใดที่เข้าในพื้นที่ทำงานต้องสวมอุปกรณ์ป้องกันส่วนบุคคล เศษของชิ้นงานหรือการแตกของอุปกรณ์เสริมอาจกระเด็นออกมาและก่อการบาดเจ็บนอกพื้นที่ทำงานอย่างทันทีทันใด
- ญ) ให้อ่างสายไฟห่างอุปกรณ์เสริมหมุน ถ้าท่านสูญเสียการควบคุม สายไฟอาจถูกตัดหรือขีดข่วน และมีมือหรือแขนของคุณอาจถูกดึงเข้าไปในอุปกรณ์หมุน
- ฎ) ห้ามวางเครื่องมือไฟฟ้าลงจนกว่าอุปกรณ์เสริมได้หยุดสนิท อุปกรณ์หมุนอาจเกาะพื้นผิวและดึงให้เครื่องมือไฟฟ้าให้หลุดจากการควบคุมของท่าน
- ฏ) อย่าเปิดเครื่องมือไฟฟ้าในขณะที่ถืออยู่ข้างกายคุณ เพราะอุบัติเหตุที่เกิดจากการสัมผัสกับอุปกรณ์เสริมอาจเกี่ยวพื้นผิวของท่าน และลากอุปกรณ์เข้าหาตัวท่าน
- ฐ) ห้ามวางสายสะดือของระบายอากาศของเครื่องมือไฟฟ้าอย่างสม่ำเสมอ พัดลมของมอเตอร์จะดึงฝุ่นเข้ามาในตัวเครื่องและการสะสมของผงโลหะจำนวนมากอาจทำให้เกิดอันตรายจากไฟฟ้า
- ฑ) ห้ามใช้เครื่องมือไฟฟ้าใกล้วัตถุไวไฟ ประกายไฟอาจจุดวัสดุเหล่านี้ลุกไหม้ได้
- ฒ) ห้ามใช้อุปกรณ์เสริมที่ต้องใช้สารหล่อเย็นเหลว สารหล่อเย็นจำพวกน้ำหรือของเหลวอื่นอาจก่อให้เกิดอันตรายต่อชีวิตจากไฟฟ้าดูดหรือไฟฟ้าช็อต

คำแนะนำด้านความปลอดภัยเพิ่มเติมสำหรับการทำงานทั้งหมด

คำเตือนเกี่ยวกับการตั้งออกและสิ่งที่เกี่ยวข้องคือมีค คือปฏิบัติกริยาที่ที่ของการหนีหรือกีดขวางต่อแผ่นหมุน แผ่นรอง แปรงหรืออุปกรณ์เสริมอื่น การหนีหรือกีดขวางทำให้ อุปกรณ์ หมุนหยุดกระทันหันซึ่งทำให้เครื่องมือไฟฟ้าสูญเสียการควบคุมทำให้กระทำไปในที่ที่ทางตรงกันข้ามของการหมุนของอุปกรณ์ ฉุกเฉินที่ถูกกระทำนั้น

ตัวอย่างเช่น ถ้าแผ่นขัดถูกกีดขวางหรือหนีโดยชิ้นงาน ขอบของแผ่นรองฉุกเฉินที่ถูกหนีจะขุดเข้าไปในเนื้อผิวของวัสดุ ทำให้แผ่นเบนออกหรือถูกตัดออก แผ่นอาจกระโดดเข้าใส่หรือออกจากตัวผู้ใช้งาน โดยขึ้นอยู่กับทิศทางของการเคลื่อนที่ ของแผ่นที่ ฉุกเฉินหนี แผ่นขัดอาจแตกร้าวในสถานการณ์เช่นนี้

คิกแบ็คเป็นผลผลจากการใช้เครื่องมือที่ผิดและ / หรือ ขั้นตอนและเงื่อนไขการทำงานที่ไม่ถูกต้อง และ สามารถหลีกเลี่ยงได้ โดยใช้งานด้วยความระมัดระวัง ให้ถูกต้องดังต่อไปนี้:

- ก) ให้อุปกรณ์ไฟฟ้าอย่างมั่นคง และวางตำแหน่งร่างกายและแขนของท่านให้ต่อต้านแรงคิกแบ็ค ช่วงเริ่มต้น ให้อุปกรณ์มือจับเสมอ ถ้ามีมาให้ จะช่วยควบคุมแรงสูงสุดที่เกิดจากคิกแบ็คหรือปฏิกิริยาแรงบิด ถ้าให้ความระมัดระวังที่ถูกต้อง ผู้ปฏิบัติงานสามารถควบคุมปฏิกิริยาแรงบิดหรือแรงคิกแบ็คได้
- ข) ห้ามวางมือของท่านใกล้อุปกรณ์หมุน อุปกรณ์อาจคิกแบ็คใส่แขนท่านได้
- ค) ห้ามให้ร่างกายของท่านอยู่ในตำแหน่งบริเวณที่เครื่องมือไฟฟ้าจะเคลื่อนที่ไปถ้าเกิดการคิกแบ็ค คิกแบ็คจะขับเคลื่อนเครื่องมือไปในทิศทางตรงกันข้ามกับการเคลื่อนที่ของแผ่นตรงจุดถูกกีดขวาง
- ง) ให้อุปกรณ์เป็นพิเศษเมื่อทำงานบริเวณมุม ขอบแหลมคม เป็นต้น หลีกเลี่ยงการกระเด็นหรือกีดขวางอุปกรณ์เสริม มุม ขอบแหลมคม หรือการกระเด็นจะก่อให้เกิดการกีดขวางอุปกรณ์หมุนและทำให้สูญเสียการควบคุมหรือเกิดการคิกแบ็ค
- จ) ห้ามสัมผัสใบมีดและสลักโซ่เลื่อยหรือใบมีดเลื่อยฟัน เพราะใบมีดเหล่านี้สร้างคิกแบ็คและสูญเสียการควบคุมได้บ่อย

คำเตือนความปลอดภัยเฉพาะสำหรับการปฏิบัติงานขัด

- ก) อย่าให้ส่วนที่หลุดหลวมของฝาดรอบงานขัดหรือส่วนที่ยึดติดหมุนฟรี เก็บส่วนยึดติดที่หลุดหลวมให้เรียบร้อยหรือตัดออก ส่วนยึดติดที่หลุดหลวมหรือหมุนได้อาจพันกับนิ้วมือของคุณหรือเป็นอุปสรรคในการทำงาน
- ข) เมื่อเติมน้ำมันหล่อลื่นและเปลี่ยนอุปกรณ์เสริมโปรดปฏิบัติตามคู่มือคำแนะนำ
- ค) มือจับต้องให้แห้งสะอาดและไม่มัน

คำเตือนด้านความปลอดภัยเฉพาะสำหรับการทำงานขัดผิว

- ใช้อุปกรณ์ป้องกันดวงตาเสมอ ผู้ใช้งานและผู้สังเกตการณ์ทั้งหมดต้องสวมอุปกรณ์ป้องกันดวงตาที่สอดคล้องกับ ANSI Z87.1.
- ทำความสะอาดตัวเครื่องบ่อย ๆ โดยเฉพาะหลังจากการใช้งานหนัก ฝุ่นละอองและเม็ดทรายมีอนุภาคโลหะที่มักจะสะสมอยู่ที่พื้นผิวภายในและอาจจะก่อให้เกิดอันตรายไฟฟ้าช็อต
- อย่าใช้เครื่องมือนี้เป็นเวลานาน ๆ ความสั่นสะเทือนที่เกิดจากการปฏิบัติงานของเครื่องมือนี้อาจทำให้เกิดการบาดเจ็บถาวรกับนิ้ว มือและแขน ใช้ถุงมือเพื่อเป็นตัวกันกระแทกพิเศษ หยุดใช้งานเป็นพัก ๆ บ่อย ๆ และจำกัดระยะเวลาในการใช้งานทุกวัน

- ชอกระบายอากาศมักจะครอบคลุมถึงชิ้นส่วนที่เคลื่อนไหวและควรหลีกเลี่ยง เสื้อผ้าหลวม เครื่องประดับหรือผมยาวสามารถติดพันกับชิ้นส่วนที่เคลื่อนไหว



คำเตือน: ใช้กระจกนิรภัยทุกครั้ง แวนตาทั่วไปไม่ใช่กระจกนิรภัย นอกจากนี้ยังต้องให้หน้าปกป้องกันหน้าหรือกันฝุ่น หากการปฏิบัติงานนั้นเต็มไปด้วยฝุ่นสวมใส่อุปกรณ์ความปลอดภัยที่ผ่านการรับรองเสมอ



คำเตือน: สวมอุปกรณ์ป้องกันเสียงส่วนบุคคลที่เหมาะสมทุกครั้งโดยสอดคล้องกับ ANSI S12.6 (S3.19) ภายใต้เงื่อนไขบางประการและระยะเวลาการใช้งานเสียงจากผลิตภัณฑ์นี้อาจมีส่วนทำให้สูญเสียการได้ยิน






คำเตือน: การใช้งานเครื่องมือนี้สามารถสร้างและ / หรือกระจายฝุ่นละออง ซึ่งอาจทำให้เกิดการบาดเจ็บทางระบบทางเดินหายใจหรือตาอื่นได้อย่างรุนแรงและถาวร ควรใช้อุปกรณ์ป้องกันระบบทางเดินหายใจที่ได้รับการรับรองจาก NIOSH/OSHA ให้เหมาะสมสำหรับการสัมผัสฝุ่นละออง อย่าให้อนุภาคฝุ่นละอองสัมผัสใบหน้าและร่างกายโดยตรง



คำเตือน: โปรดใช้ความระมัดระวังเป็นพิเศษในขณะทำงานบริเวณมุม เพราะการเคลื่อนไหวอย่างฉับพลันทันทีของเครื่องขัดอาจเกิดเรื่องได้เมื่อล้อหมุนหรือส่วนประกอบอื่นสัมผัสพื้นผิวรองหรือขอบของพื้นผิว

- ฉลากบนเครื่องมือของคุณอาจรวมถึงสัญลักษณ์ต่อไปนี้ สัญลักษณ์และพื้นที่คำนิยามของสัญลักษณ์มีดังนี้:

V	โวลต์
A	แอมแปร์
Hz	เฮิรตซ์
W	วัตต์
min	นาที
~	ไฟกระสลับ
---	ไฟกระแสตรง
n	ความเร็วพิกัด
	มาตรฐานความปลอดภัย คลาส II
	สัญลักษณ์เตือนด้านความปลอดภัย
	ช็อตลงดิน
.../min	รอบต่อนาที

**บันทึกคำแนะนำเหล่านี้
มอเตอร์**

เครื่องมือตัวอลท์ของคุณถูกขับเคลื่อนโดยมอเตอร์ที่ตัวอลท์สร้างขึ้น ให้แน่ใจว่าแหล่งจ่ายไฟของคุณสอดคล้องกับแผ่นป้ายพิกัด หากแรงดันไฟฟาลดลงมากกว่า 10% จะก่อให้เกิดการสูญเสียพลังงานและความร้อนสูงเกินไป เครื่องมือตัวอลท์ได้ถูกทดสอบมาจากโรงงาน แต่ถ้าเครื่องมือนี้ไม่ทำงาน ให้ตรวจสอบแหล่งจ่ายไฟ

ส่วนประกอบ (ภาพที่ 1)



คำเตือน: ห้ามแก้ไขเครื่องมีไฟฟ้าหรือส่วนหนึ่งส่วนใดของมัน เพราะอาจก่อความเสียหายหรือบาดเจ็บส่วนบุคคลได้

- A. ล้อควบคุมความเร็ว
- B. ตะขอและแผ่นรองวาง
- C. สวิตช์ทริกเกอร์ปรับความเร็ว
- D. ฝาครอบตรวจสอบแปรง
- E. ปุ่มล๊อคแกนหมุน
- F. มือช่วยจับ
- G. ปุ่มล๊อคทริกเกอร์
- H. มือจับเบล
- I. แกนหมุน
- J. ฝาครอบกล่องเกียร์ยางอ่อน
- K. แผงกันชนเข้า
- L. สกรู
- M. ลูกซ์ิตชนเบร

วัตถุประสงค์การใช้งาน

เครื่องตัดหญ้าสำหรับช่าง DWP849X ได้รับการออกแบบเพื่อการใช้งานระดับมืออาชีพที่ไซต์งานต่าง ๆ (เช่น สถานที่ก่อสร้าง) ไม่ควรใช้ภายใต้สภาวะที่ชื้นหรือในที่ที่มีของเหลวหรือก๊าซไวไฟ

เครื่องตัดหญ้าสำหรับช่าง DWP849X เป็นเครื่องมีไฟฟ้าระดับมืออาชีพ อย่ายปล่อยให้เด็กสัมผัสกับเครื่องมือ จะต้องมีการกำกับดูแลเมื่อผู้ปฏิบัติงานไม่มีประสบการณ์ในการใช้เครื่องมือนี้

มือช่วยจับ (ภาพที่ 1)

มือช่วยจับ (F) ถูกติดตั้งกับเครื่องมีมือของคุณ และสามารถติดตั้งได้ด้านใดด้านหนึ่งของกล่องเกียร์ ควรใช้มือช่วยจับนี้ตลอดเวลาเพื่อลดความเสี่ยงในการควบคุมเครื่องมือ นอกจากนี้ ยังมีมือจับเบล (H) ที่ใหม่กับ DWP849X และสามารถนำมาใช้แทนที่มือช่วยจับ

สวิตช์ทริกเกอร์ปรับความเร็ว (ภาพที่ 1)

เครื่องมือเหล่านี้จะมีการติดตั้งสวิตช์ทริกเกอร์ปรับความเร็วที่อนุญาตให้ควบคุมความเร็วระหว่าง 0-3,500 รอบต่อนาที เมื่อต้องการเปิดเครื่องมือ ให้กดสวิตช์ทริกเกอร์ (C) ที่แสดงในภาพที่ 1 จนเครื่องมือเริ่มทำงาน คุณกดทริกเกอร์ลงยิ่งมาก เครื่องจะทำงานยิ่งเร็วขึ้น ปล่อยให้ทริกเกอร์จะเป็นการปิดเครื่อง

ใช้ความเร็วต่ำสำหรับใช้งานกับแวกซ์ที่เป็นของเหลวและขีตเงานและความเร็วสูงสำหรับกำจัดของเหลวแห้ง ใช้ความเร็วสูงสุด (กดทริกเกอร์สุดเต็มที่) สำหรับรองพื้นผิวรถในการขีตเงานสุดท้าย สามารถล๊อคเครื่องมือเพื่อใช้งานอย่างต่อเนื่องโดยกดสวิตช์ทริกเกอร์สุดเต็มที่และกดปุ่มล๊อค (G) ดังแสดงในภาพที่ 1 กดปุ่มล๊อคในขณะที่คุณค่อย ๆ ปล่อยสวิตช์ทริกเกอร์ เครื่องมีนี้จะทำงาน

อย่างต่อเนื่อง เมื่อต้องการปิดเครื่องมือโดยให้ออกจากตำแหน่งล๊อคคอน ให้กดและปล่อยสวิตช์ทริกเกอร์หนึ่งครั้ง อย่านกดปลั๊กเครื่องมือในขณะที่สวิตช์อยู่ที่ในสภาพล๊อคคอน ให้แน่ใจว่าเครื่องมือไม่ไ้ล๊อคคอนเมื่อเสียบปลั๊ก หากเสียบปลั๊กเครื่องมือในขณะที่สวิตช์อยู่ที่ในตำแหน่งล๊อคคอน เครื่องมีจะไม่ทำงานจนกว่าปุ่มล๊อค (G) จะถูกกด (ไม่มีไฟ)

หมายเหตุ : จะสามารถล๊อคคอนสวิตช์ทริกเกอร์บนเครื่องมือในขณะที่ทำงานที่รอบต่อนาทีสูงสุดที่กำหนดโดยล้อควบคุมความเร็ว (A)

ล้อควบคุมความเร็ว (ภาพที่ 1)

ความเร็วสูงสุดของเครื่องมือของคุณสามารถเปลี่ยนแปลงได้โดยการหมุนล้อควบคุมความเร็ว (A) ไปยังค่าที่ต้องการ ล้อยังสามารถกักที่บ่งบอกไม่ให้ล๊อคเคลื่อนไหวโดยไม่ตั้งใจและเพื่อความสะดวกในการเลือกความเร็ว สำหรับการเพิ่มความสามารถ สวิตช์ทริกเกอร์เร็วจะถูกล๊อคในตำแหน่งความเร็วเต็มที่และสามารถเปลี่ยนความเร็วของเครื่องมือโดยใช้ล้อควบคุมความเร็ว (A) เพียงอย่างเดียว การควบคุมความเร็วอิเล็กทรอนิกส์ไม่เพียงแต่ช่วยให้คุณสามารถเลือกความเร็วให้เหมาะสมกับงาน แต่ยังช่วยในการรักษาความเร็วที่คุณโหลดเครื่องมือโดยการลดลง ด้วยคุณสมบัตินี้ควบคุม 'ไปกับสวิตช์ทริกเกอร์ปรับความเร็ว' ที่ทำให้เครื่องมือนี้ มีค่าดังกล่าว

ล้อควบคุมความเร็ว (A) สามารถตั้งค่าสำหรับความเร็วใด ๆ ระหว่าง 600 และ 3,500 รอบต่อนาทีและหลังจากนั้น สวิตช์ปรับความเร็วจะเป็นเครื่องมือควบคุมความเร็วจากศูนย์ถึงค่าตั้งของล้อ ตัวอย่างเช่น : ล้อควบคุมตั้งค่าที่ 2,200 รอบต่อนาทีจะช่วยให้สวิตช์ปรับความเร็วใช้งานเครื่องมือระหว่างศูนย์และ 2,200 รอบต่อนาทีขึ้นอยู่กับว่ากดสวิตช์ทริกเกอร์ลงเท่าใด หากการตั้งค่าของล้อเป็น 600 รอบต่อนาที จะทำให้สวิตช์ใช้งานเครื่องมือจากศูนย์ถึง 600 รอบต่อนาที

สำหรับการใช้คุณสมบัติควบคุมความเร็วอิเล็กทรอนิกส์ หากกดสวิตช์ทริกเกอร์สุดเต็มที่และเครื่องมือทำงานที่ความเร็วที่เลือกซึ่งกำหนดโดยการตั้งค่าของล้อควบคุม ในขณะที่คุณโหลดเครื่องมือด้วยการกดมันลงบนผิวชิ้นงาน (โดยการกดทริกเกอร์เต็มที่) วงจรอิเล็กทรอนิกส์ภายในเครื่องมือจะชดเชยสำหรับโหลดและรักษาความเร็วที่เลือก ถ้าความเร็วที่ล้อควบคุมเลือกเป็น 2,200 รอบต่อนาที ดังเช่นตัวอย่างข้างต้น เครื่องมีจะรักษาความเร็วที่ 2,200 รอบต่อนาที ในขณะที่มันโหลด

มีสิ่งสำคัญที่ต้องจำสองอย่างเกี่ยวกับการควบคุมความเร็วจีเส็กทรอนิกส์ :

1. การควบคุมความเร็วจีเส็กทรอนิกส์ทำงานก็ต่อเมื่อสวิตช์ทริกเกอร์ (C) ถูกกดสุดเต็มที่
2. ผลของการควบคุมความเร็วจีเส็กทรอนิกส์ที่ตั้งค่าความเร็วต่ำ (2,600 รอบต่อนาทีและต่ำกว่า) จะส่งผลได้จำกัดกว่าที่ความเร็วสูงกว่า เมื่อเครื่องมือทำงานที่ความเร็วถึง 3,000 รอบต่อนาที ผลจะไม่ชัดเจนมากนัก

โปรดทราบ ว่า เครื่องขัดเงาโดยปกติจะเดินเครื่องที่ความเร็ว 2,400 รอบต่อนาที ในขณะที่ไม่มีโหลด และ เครื่องมือจะช้าลงไปตามประมาณ ที่ 2,000 รอบต่อนาทีภายใต้ภาวะโหลดการขัด DWP894X ของคุณจะยังคงทำงานต่อไปที่ 2,400 รอบต่อนาที (หรือความเร็วใด ๆ ที่คุณเลือกด้วยปุ่มควบคุม) ซึ่งเป็นโหลดที่ถูกลบไปใช้เนื่องจากมันไม่ช้าลง ความเร็วอาจจะรู้สึกมากกว่าที่คุณคุ้นเคย ดังนั้นควรให้ความระมัดระวังบางอย่างเป็นพิเศษจนกว่าคุณ จะ “รู้สึก” คุ้นเคยกับการขัดของคุณ ถ้าคุณรู้สึกว่าการเร็วแรงเกินไป นั่นนอ น คุณสามารถปรับให้ช้าลงด้วยสวิตช์ทริกเกอร์หรือปุ่มควบคุม

ปุ่มล็อคแกนหมุน (ภาพที่ 1)



คำเตือน: เพื่อลดความเสี่ยงของการบาดเจ็บส่วนบุคคลรุนแรง ให้ปิดเครื่องมือและตัดการเชื่อมต่อเครื่องมือจากแหล่งจ่ายไฟก่อนที่จะทำการปรับตั้งใด ๆ หรือถอด / ติดตั้งสิ่งที่เหมาะสมหรืออุปกรณ์เสริม ก่อนทำการเชื่อมต่อเครื่องมืออีกครั้ง ต้องถอดและปล่อยสวิตช์ทริกเกอร์เพื่อให้แน่ใจว่าเครื่องมือมีปิด

เพื่อป้องกันไม่ให้ แกนหมุนของ เครื่องมือหมุนในขณะที่ติดตั้งหรือถอดอุปกรณ์เสริม ได้จัดให้มีปุ่มล็อคแกนหมุน (E) ที่หัวเกียร์ของเครื่อง เมื่อต้องการล็อคแกนหมุน ให้กดปุ่มล็อคค้างไว้ ห้ามกดปุ่มล็อคแกนหมุนในขณะที่ เครื่องมือกำลังทำงานหรือเดินเครื่องอยู่

แผงกันชนเข้า (ภาพที่ 1, 2)

แผงกันชนเข้า (K) ได้รับการออกแบบเพื่อลดจำนวนของชนสัตว์ ฝุ่ นละออง และเศษขยะที่เข้าไปโดยมอเตอร์ในระหว่างการใช้งานตามปกติ จุดประสงค์ของแผงกันชนคือการปรับปรุงความทนทานของเครื่องมือเมื่อเทียบกับเครื่องมือที่ไม่มีแผงกันชนเข้า แผงกันชนเข้าแต่ละแผงสามารถถอดออกได้ง่ายเพื่อหาความสะดวกโดยการถอดสกรูยึด (L) ตามด้วยการเลื่อนแผงกันชนเข้าออกไปทางทริกเกอร์ตรงปลายของเครื่องมือแล้วแยกออกในกรณีที่เกิดการอุดตันจากการขัดและเศษขยะ สามารถทำความสะอาดแผงกันชนเข้าด้วยน้ำและสบู่ และแปรงขนอ่อน ทำความสะอาดแผงกันชนที่ที่คุณจะเริ่มพบการสะสมของเศษขยะด้านนอก เครื่องมือของคุณอาจมาพร้อมกับชุดของแผงกันชนเข้า สามารถซื้อแผงกันชนเข้าในราคาพิเศษจากตัวแทนจำหน่ายท้องถิ่นของท่านหรือศูนย์บริการที่ได้รับอนุญาต

ฝาครอบกล่องเกียร์ยางอ่อน (ภาพที่ 1)

ฝาครอบกล่องเกียร์ยางอ่อน (J) ใต้ถูกออกแบบมาเพื่อป้องกันมิให้กล่องเกียร์โลหะชุดบนสัฟไฟรพื้นผิวขัดเงา

ถ้าจำเป็น สามารถถอดฝาครอบกล่องเกียร์ยางอ่อนออกเมื่อต้องการถอดฝาครอบออก ให้ถอดสกรูสามตัวที่ยึดออกและยกฝาขึ้นไปบนกล่องเกียร์

เครื่องมือของคุณอาจมาพร้อมกับฝาครอบกล่องเกียร์ยางอ่อน สามารถซื้อ ฝาครอบกล่องเกียร์ยางอ่อนในราคาพิเศษจากตัวแทนจำหน่ายท้องถิ่นของท่านหรือศูนย์บริการที่ได้รับอนุญาต

การใช้งาน



คำเตือน: เพื่อลดความเสี่ยงของการบาดเจ็บส่วนบุคคลรุนแรง ให้ปิดเครื่องมือและตัดการเชื่อมต่อเครื่องมือจากแหล่งจ่ายไฟก่อนที่จะทำการปรับตั้งใด ๆ หรือถอด / ติดตั้งสิ่งที่เหมาะสมหรืออุปกรณ์เสริม ก่อนทำการเชื่อมต่อเครื่องมืออีกครั้ง ต้องถอดและปล่อยสวิตช์ทริกเกอร์เพื่อให้แน่ใจว่าเครื่องมือมีปิด แผ่นขัดเงาและแผ่นขัดทรายขนาด 6", 7" หรือ 9" (15.2, 17.8 หรือ 22.9 ซม.) สามารถใช้กับ DWP849 และ DWP849X

การติดตั้งและการถอดแผ่นขัด (ภาพที่ 3)



คำเตือน: เพื่อลดความเสี่ยงของการบาดเจ็บส่วนบุคคลรุนแรง อย่าให้ส่วนที่หลุดหลวมของฝากรอบงานขัดผิวหรือส่วนที่ยึดติดหมุนฟรี เก็บส่วนที่ยึดติดที่หลุดหลวมให้เรียบร้อยหรือตัดออก ส่วนที่ยึดติดที่หลุดหลวมหรือหมุน อาจพันกับนิ้วมือของคุณหรือทำให้ทำงานได้ล่าช้า

หมายเหตุ : DWP849X ทั้งสองอาจใช้หัวขัดชนิดใดชนิดหนึ่งที่มีอธิบายการประกอบไว้ด้านล่าง

ในการติดตั้งแผ่นขัดเข้ากับตะขอและแผ่นรองรูป (รูปที่ 3B)

1. ติดตะขอและโพลีลูปหรือแผ่นผ้าขนสัตว์ (P) เข้ากับตะขอและแผ่นรองรูป (Q) ระวังในการจัดศูนย์กลางของแผ่นรองเข้ากับแผ่นโพลีหรือแผ่นผ้าขนสัตว์
2. ขึ้นสกรูแผ่นรอง (Q) เข้ากับแกนหมุน (I) ในขณะที่ยกปุ่มล็อคแกนหมุน (E)

การถอดแผ่น

หมุนมันด้วยมือในทิศทางตรงข้ามจากการหมุนปกติเพื่อให้ปุ่มล็อคประกอบแกนหมุน แล้วคลายสกรูแผ่นในทิศทางปกติสำหรับเก็ลยวชาวมือ

การขัดผิว

คำแนะนำและข้อเสนอนแนะเหล่านี้มีวัตถุประสงค์เพื่อให้ผู้ใช้งานใหม่มีความคุ้นเคยสำหรับการปฏิบัติงานทั่วไปของเครื่องขัดไฟฟ้า คุณจะได้พัฒนาเทคนิคของคุณเองที่จะทำให้งานได้ง่ายขึ้นและเร็วขึ้นตามที่ คุณได้เรียนรู้จากเครื่องขัดไฟฟ้า

- คุณควรใช้ ความระมัดระวังอย่างสูงสุดเมื่อใช้เครื่องขัดไฟฟ้าบริเวณหรือบนวัตถุคมและขอบรูปทรงของตัวถ่วง มันเป็นสิ่งสำคัญมากในการใช้แรงดันที่ถูกต้องในขณะที่ขัดส่วนต่างๆของตัวถ่วง ตัวอย่างเช่นควรใช้แรงดันเบาเมื่อขัดบนขอบคมของแฉกตัวถ่วง หรือบนขอบของรางนำฟันด้านบน
- เพราะทุกคนไม่ได้ใช้เครื่องขัดไฟฟ้าชนิดเดียวกันเราขอแนะนำให้คุณทำความเข้าใจและขีดพื้นที่ส่วนทดสอบบนพื้นที่ราบของตัวถ่วงก่อน จากพื้นที่ส่วนทดสอบนี้ คุณสามารถตัดสินใจราคาความแรงหรือความสะอาดของการกระทำของเครื่องขัดไฟฟ้าของคุณ
- โปรดจำไว้ว่า เครื่องขัดไฟฟ้าทั้งหมดจะไม่เหมือนกัน แบริดท์ที่แตกต่างกันจะทดสอบองแตกต่างกันบนพื้นผิวสีต่างๆ นอกจากนี้ ขณะที่คุณกำลังขัดด้วยกำลังไฟฟ้าโดยเครื่องขัดไฟฟ้าซึ่งมีความแตกต่างอย่างสิ้นเชิงกับการทำงานด้วยมือใด ๆ ที่คุณอาจจะทำมาก่อน ให้ล้างรถก่อนใช้เครื่องขัดไฟฟ้า การล้างจะกำจัดสิ่งสกปรกที่ติดอยู่ หรือคราบเกลือจากถนน ฯลฯ เพราะมันจะเป็นตัวขูดและทำความเสียหายต่อสี สิ่งสกปรกที่ติดอยู่ ฯลฯ จะก่อให้เกิดการอุดตันของแผ่นขัดและคุณจะต้องทำความสะอาดมันบ่อยขึ้น
- จับที่มีมือจับของเครื่องมือและยกขึ้นโดยไม่ต้องเปิดเครื่องมือ ให้เครื่องมือห่างจากร่างกายของคุณและกดสวิตช์ทริกเกอร์ ให้แน่ใจว่าคุณได้จับมือจับอย่างมั่นคงและใช้งานเครื่องมืออย่างอิสระโดยไม่ต้องพยายามบังคับหรือใช้แรงดันที่ไม่จำเป็น มือจับข้างสามารถเปลี่ยนไปด้านใดด้านหนึ่งของเครื่องมือสำหรับคนถนัดซ้ายหรือถนัดขวาได้อย่างง่ายดาย

คำเตือน: การขัดด้วยความเร็วสูงของฝาคอรงงานขัดบนพื้นผิวของรถยนต์สามารถสร้างประกายกระแสปะลาไฟสถิตย์บนส่วนที่เป็นโลหะของเครื่องมือ ซึ่งเมื่อสัมผัสกับบริเวณโลหะของเครื่องมืออาจจะรู้สึกไฟฟ้าช็อตสั้น ๆ ไม่รุนแรง และจะสังเกตเห็นขัดเจจในทันทีที่มีความชื้นดำนี้นี้เป็นปรากฏการณ์ที่ไม่เป็นอันตราย แต่ขอให้คุณนำเครื่องมือไปที่ศูนย์บริการ "ดีวอลท์" ซึ่งสามารถตรวจสอบเพื่อให้เห็นใจว่าไม่ปรากฏการทำงานผิดปกติของไฟฟ้า

การบำรุงรักษา

เครื่องมือไฟฟ้า "ดีวอลท์" ของท่านได้รับการออกแบบให้ใช้งานเป็นระยะเวลายาวนานด้วยการบำรุงรักษาที่ต่ำสุด และการทำงานที่น่าพอใจอย่างต่อเนื่องโดยขึ้นอยู่กับการดูแลเครื่องมือที่เหมาะสมและการทำความสะอาดตามปกติ



คำเตือน: เพื่อลดความเสี่ยงของการบาดเจ็บส่วนบุคคลรุนแรง ให้ปิดเครื่องมือและตัดการเชื่อมต่อเครื่องมือจากแหล่งจ่ายไฟก่อนที่จะทำการปรับตั้งใด ๆ หรือถอด / ติดตั้งสิ่งที่เหมาะสมหรืออุปกรณ์เสริมก่อนทำการเชื่อมต่อเครื่องมืออีกครั้ง ต้องถอดและปล่อย

สวิตช์ทริกเกอร์เพื่อให้เห็นใจว่าเครื่องมือปิด

การทำความสะอาด



คำเตือน: เป่าสิ่งสกปรกและฝุ่นละอองออกจากช่องระบายอากาศทั้งหมดด้วยอากาศแห้งอย่างน้อยสัปดาห์ละครั้ง เมื่อทำงานนี้ ให้สวมอุปกรณ์ป้องกันดวงตา ANSI Z87.1 (CAN / CSA Z94.3) ที่เหมาะสม และสวมอุปกรณ์ป้องกันระบบทางเดินหายใจ NIOSH / OSHA / MSHA ที่เหมาะสม



คำเตือน: ห้ามใช้ตัวทำลายหรือสารเคมีรุนแรงอื่น ๆ ทำความสะอาดชิ้นส่วนที่ไม่ใช่โลหะของเครื่องมือ สารเคมีเหล่านี้อาจทำให้วัสดุพลาสติกที่ใช้ในส่วนเหล่านี้เสื่อมลง ใช้เฉพาะผ้าชุบน้ำและสบู่อ่อนเท่านั้น อย่านำของเหลวใด ๆ เข้าไปภายในเครื่องมือ ห้ามจุ่มสวิตช์ใด ๆ ของเครื่องมือลงในของเหลว

การหล่อลื่น

เครื่องมือ "ดีวอลท์" มีการหล่อลื่นอย่างถูกต้องจากโรงงานและพร้อมสำหรับใช้งาน ควรจะหล่อลื่นเครื่องมือเป็นประจำทุก 60 วันถึง 6 เดือน ทั้งนี้ขึ้นอยู่กับการใช้งาน (เครื่องมือที่ใช้งานอย่างต่อเนื่องในงานผลิตหรือใช้งานหนักและเครื่องมือที่สัมผัสกับความร้อนอาจต้องมีการหล่อลื่นบ่อยขึ้น) การหล่อลื่นนี้ควรกระทำโดยผู้ซ่อมแซมเครื่องมือไฟฟ้าที่ผ่านการฝึกอบรม เช่นที่ศูนย์บริการ "ดีวอลท์" หรือสถานบริการที่ได้รับอนุญาตอื่น ๆ

แปรงถ่าน

โปรดแน่ใจว่าได้ถอดปลั๊กของเครื่องมือออกก่อนที่จะตรวจสอบแปรง ควรตรวจสอบการสึกหรอของแปรงคาร์บอนอย่างสม่ำเสมอ ในการตรวจสอบแปรง คลายเกลียวฝาคอรงพลาสติกสำหรับตรวจสอบแปรง (ตั้งอยู่ด้านข้างของห้องมอเตอร์) และอาจจะถอดส่วนประกอบสปริงและแปรงออกจากเครื่องมือ ให้แปรงสะอาดและเสียบได้อย่างอิสระตามทางของมัน



คำเตือน: ใช้แปรงถ่านที่ผิดปกติของ "ดีวอลท์" ที่ออกแบบสำหรับเครื่องมือนี้ ปฏิกิริยากับตัวแทนจำหน่ายท้องถิ่นของคุณหรือศูนย์บริการที่ได้รับอนุมัติเพื่อรับแปรงถ่านที่ถูกต้อง การใส่แปรงถ่านที่ไม่ได้ออกแบบมาสำหรับเครื่องมือนี้หรือไม่ผ่านการรับรองจาก "ดีวอลท์" อาจทำให้เครื่องมือเสียหายและอาจส่งผลให้เกิดการบาดเจ็บสาหัส!

อุปกรณ์เสริม



คำเตือน : เนื่องจากอุปกรณ์เสริมนอกเหนือจากที่เสนอโดย "ดีวอลท์" ยังไม่ได้รับการทดสอบกับผลิตภัณฑ์นี้ การใช้อุปกรณ์เสริมดังกล่าวกับเครื่องมือนี้ อาจเกิดอันตรายได้ เพื่อลดความเสี่ยงของการบาดเจ็บควรใช้เฉพาะอุปกรณ์เสริมที่แนะนำโดย "ดีวอลท์" กับผลิตภัณฑ์นี้ อุปกรณ์เสริมที่แนะนำสำหรับใช้กับ

เครื่องมือของคุณสามารถหาได้ในราคาพิเศษจาก

อุปกรณ์เสริมที่แนะนำสำหรับใช้กับเครื่องมือของคุณหาได้ โดยมีค่าใช้จ่ายพิเศษจากตัวแทนจำหน่ายท้องถิ่นของท่านหรือศูนย์บริการที่ได้รับอนุญาต ถ้าคุณต้องการความช่วยเหลือในการติดตั้งอุปกรณ์เสริมใด ๆ โปรดติดต่อฝ่ายขายของตัวแทนท้องถิ่น

ใช้เฉพาะอุปกรณ์เสริมที่มีความเร็วการทำงานสูงสุดอย่างน้อยสูงเท่ากับความเร็วสูงสุด "รอบต่อนาทีในขณะที่ไม่มีโหลด" ตามเครื่องหมายบนแผ่นป้ายกำกับของเครื่องมือ ข้อควรระวังนี้ใช้ได้กับอุปกรณ์เสริมใด ๆ บนเครื่องมือใด ๆ

- แผ่นรองยาง : แผ่นรองยางยืดหยุ่นสูง 7 นิ้ว (18.0 ซม.) แบบเปลี่ยนตัว (รวมถึงวงแหวนตัวหนีบ)
- ตะขอและแผ่นรองรูป 7 นิ้ว (18.0 ซม.)
- ฝาครอบกล่องเกียร์ยางอ่อน
- แผงกันชนเข้า
- มือช่วยจับ
- มือจับเบล

การซ่อมแซม

เพื่อรับประกันความปลอดภัยและความน่าเชื่อถือของผลิตภัณฑ์ การซ่อมแซม การบำรุงรักษา และการปรับตั้ง (รวมถึงการตรวจสอบแปรงและเปลี่ยนแทน) ควรจะดำเนินการโดยศูนย์บริการของโรงงาน "ดีวอลท์" ศูนย์บริการผู้ได้รับอนุญาตจาก "ดีวอลท์" หรือเจ้าหน้าที่ผู้ให้บริการที่มีคุณภาพอื่น ๆ และควรจะใช้อะไหล่ที่เหมือนกันเสมอ

อุปกรณ์เสริมตัวเลือกอื่น ๆ



คำเตือน: เนื่องจากอุปกรณ์เสริมนอกเหนือจากที่เสนอโดย "ดีวอลท์" ยังไม่ได้รับการทดสอบกับผลิตภัณฑ์นี้ การใช้อุปกรณ์ดังกล่าวกับเครื่องมือนี้ อาจเกิดอันตรายได้ เพื่อลดความเสี่ยงของการบาดเจ็บ ควรใช้เฉพาะอุปกรณ์เสริมที่แนะนำโดย "ดีวอลท์" กับผลิตภัณฑ์นี้

ปรึกษาตัวแทนจำหน่ายของท่านสำหรับข้อมูลเพิ่มเติมเกี่ยวกับอุปกรณ์เสริมที่เหมาะสม

การบำรุงรักษาอุปกรณ์เสริม

การบำรุงรักษาอุปกรณ์เสริมในเวลาที่เหมาะสมจะประกันผลลัพธ์ที่ดีที่สุดในการใช้งานและความทนทาน และประสิทธิภาพตลอดอายุของอุปกรณ์เสริม

การปกป้องสิ่งแวดล้อม



การจัดเก็บแยกสินค้านี้จะต้องไม่ถูกทิ้งรวมกับขยะในครัวเรือนทั่วไป

เมื่อคุณพบว่าวันหนึ่งผลิตภัณฑ์ "ดีวอลท์" ของคุณจำเป็นต้องทดแทนใหม่ หรือถ้ามันไม่ประกอบโยชน์ต่อคุณอีกต่อไป อย่าทิ้งมันกับขยะในครัวเรือน ให้จัดเก็บแยกผลิตภัณฑ์นี้



เก็บแยกผลิตภัณฑ์ที่ใช้แล้วและบรรจุเก็บเพื่อนำวัสดุไปใช้หมุนเวียนและนำมาใช้ใหม่อีกครั้ง การนำวัสดุไปใช้หมุนเวียนอีกเป็นการป้องกันมลพิษทางสิ่งแวดล้อมและช่วยลดความต้องการวัตถุดิบ

ระเบียบข้อบังคับของท้องถิ่นอาจจัดให้มีการเก็บแยกผลิตภัณฑ์ไฟฟ้าจากครัวเรือน ที่เก็บขยะของเขตเทศบาลหรือตามร้านค้าปลีก "อี.ค.เอส อี.พี.เอส" ใหม่

