

DEWALT®

www.DEWALT.com

DWE7492

English (*original instructions*)

7

한국어

20

Fig. C
그림C

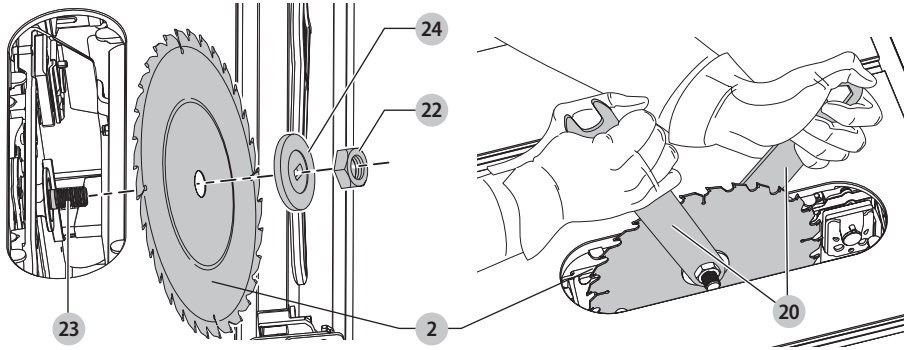


Fig. D
그림D

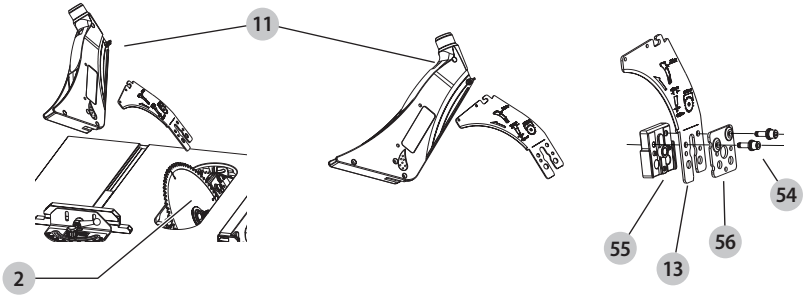


Fig. E
그림E

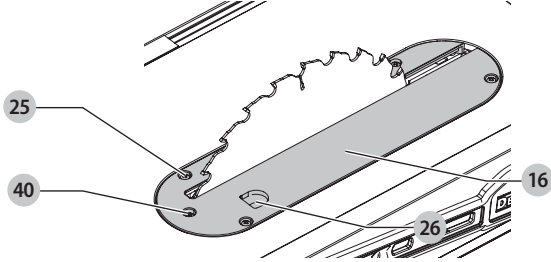


Fig. F
그림F

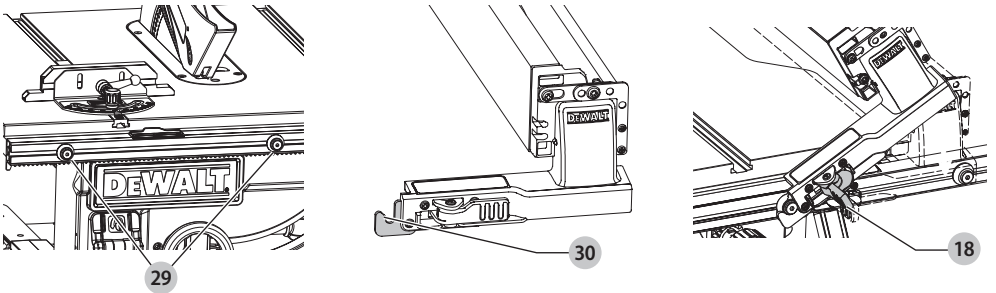


Fig. G
그림G

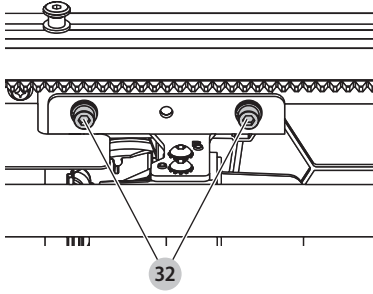


Fig. H
그림H

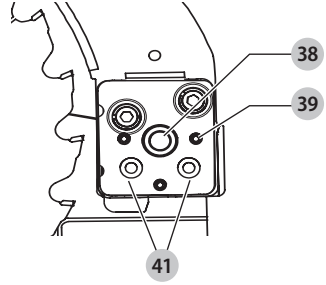
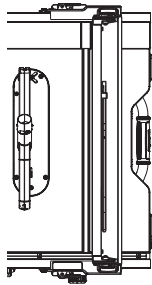
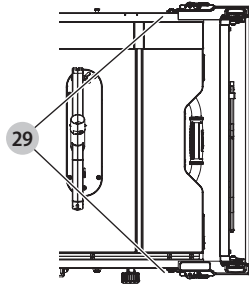


Fig. I
그림



Position 1
위치 1



Position 2
위치 2

Fig. J
그림J

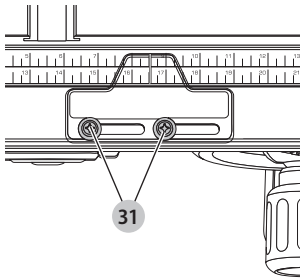


Fig. K
그림K

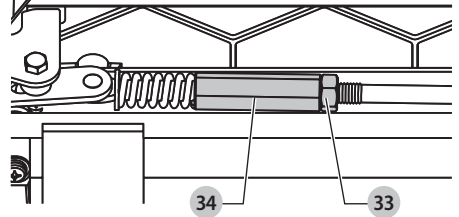


Fig. L
그림L

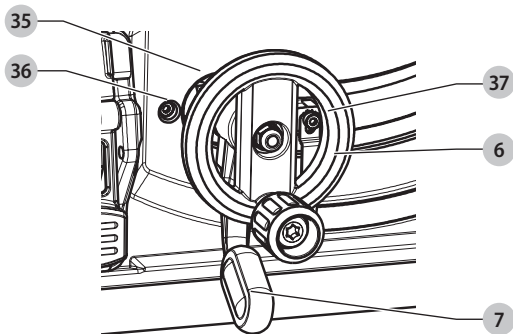


Fig. M
그림M

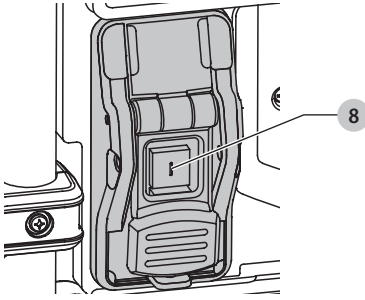


Fig. N
그림N

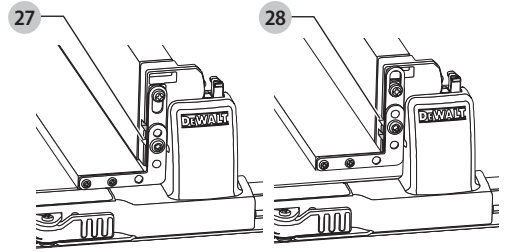


Fig. O
그림O

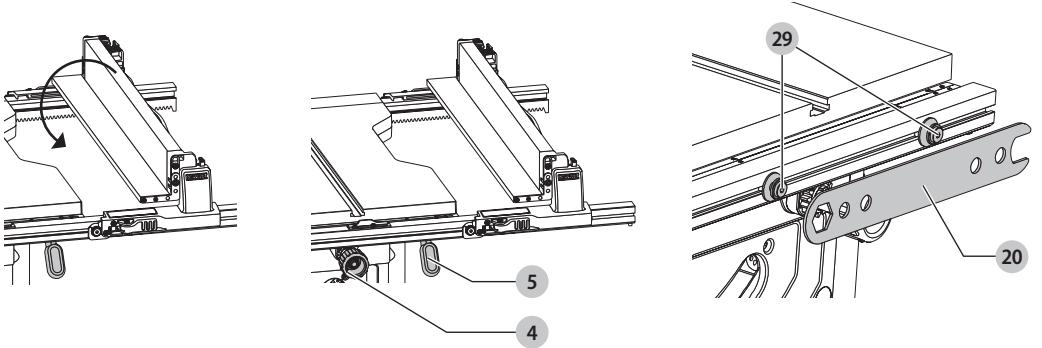


Fig. P
그림P

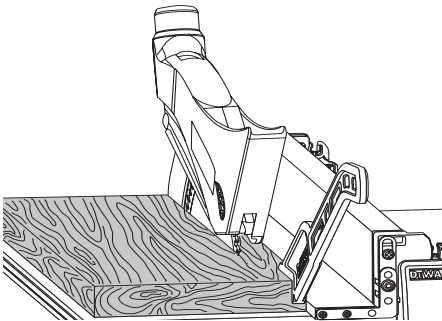


Fig. Q
그림Q

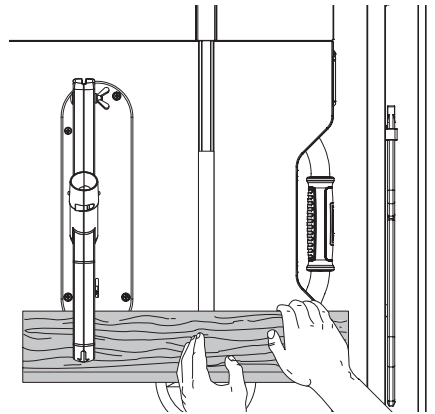


Fig. R
그림R

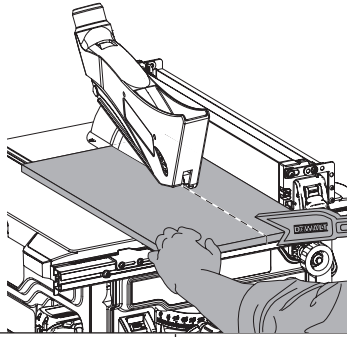


Fig. S
그림S

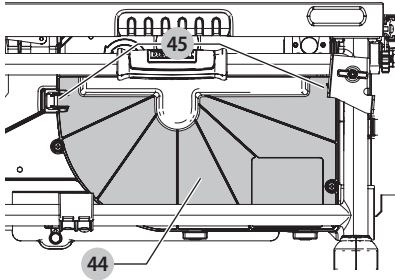


Fig. T
그림T

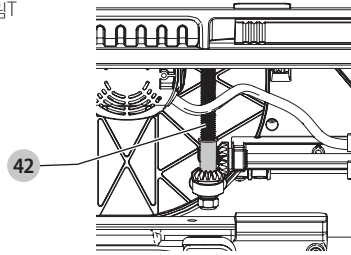


Fig. X
그림X

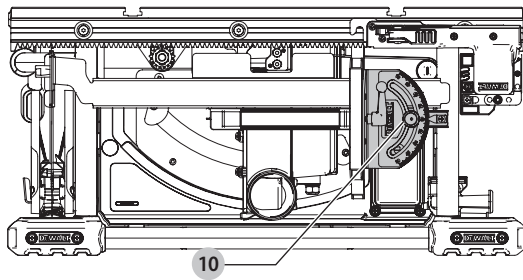


Fig.Y
그림Y

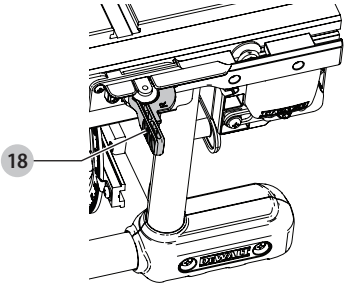


Fig. Z
그림Z

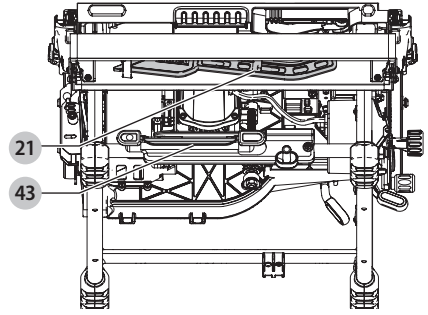


Fig. AA
그림AA

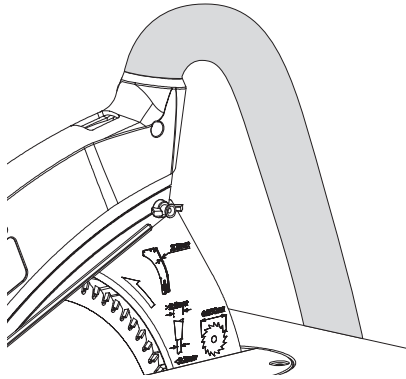


TABLE SAW

DWE7492

Congratulations!

You have chosen a DEWALT tool. Years of experience, thorough product development and innovation make DEWALT one of the most reliable partners for professional power tool users.

Technical Data

		DWE7492
Voltage	V _{AC}	220
Motor power (input)	W	2000
Motor power (output)	W	1200
No load speed	min ⁻¹	4800
Blade diameter	mm	250
Blade bore	mm	25.4
Blade body thickness	mm	2.0
Splitter thickness	mm	2.3
Depth of cut at 90°	mm	77
Depth of cut at 45°	mm	55
Bevel angle	°	45–90
Maximum bevel angle	°	45–90
Mitre angle	°	30–90
Ripping capacity	mm	825
Overall dimensions	mm	680 x 650 x 330
Weight	kg	26.5

Definitions: Safety Guidelines

The definitions below describe the level of severity for each signal word. Please read the manual and pay attention to these symbols.



DANGER: Indicates an imminently hazardous situation which, if not avoided, **will** result in **death or serious injury**.



WARNING: Indicates a potentially hazardous situation which, if not avoided, **could** result in **death or serious injury**.



CAUTION: Indicates a potentially hazardous situation which, if not avoided, **may** result in **minor or moderate injury**.

NOTICE: Indicates a practice **not related to personal injury** which, if not avoided, **may** result in **property damage**.



Denotes risk of electric shock.



Denotes risk of fire.

General Power Tool Safety Warnings



WARNING: Read all safety warnings, instructions, illustrations and specifications provided with this power tool. Failure to follow all instructions listed below may result in electric shock, fire and/or serious injury.

SAVE ALL WARNINGS AND INSTRUCTIONS FOR FUTURE REFERENCE

The term “power tool” in the warnings refers to your mains-operated (corded) power tool or battery-operated (cordless) power tool.

1) Work area safety

- Keep work area clean and well lit.** Cluttered or dark areas invite accidents.
- Do not operate power tools in explosive atmospheres, such as in the presence of flammable liquids, gases or dust.** Power tools create sparks which may ignite the dust or fumes.
- Keep children and bystanders away while operating a power tool.** Distractions can cause you to lose control.

2) Electrical safety

- Power tool plugs must match the outlet. Never modify the plug in any way. Do not use any adapter plugs with earthed (grounded) power tools.** Unmodified plugs and matching outlets will reduce risk of electric shock.
- Avoid body contact with earthed or grounded surfaces such as pipes, radiators, ranges and refrigerators.** There is an increased risk of electric shock if your body is earthed or grounded.
- Do not expose power tools to rain or wet conditions.** Water entering a power tool will increase the risk of electric shock.
- Do not abuse the cord. Never use the cord for carrying, pulling or unplugging the power tool. Keep cord away from heat, oil, sharp edges or moving parts.** Damaged or entangled cords increase the risk of electric shock.
- When operating a power tool outdoors, use an extension cord suitable for outdoor use.** Use of a cord suitable for outdoor use reduces the risk of electric shock.
- If operating a power tool in a damp location is unavoidable, use a residual current device (RCD) protected supply.** Use of an RCD reduces the risk of electric shock.

3) Personal safety

- Stay alert, watch what you are doing and use common sense when operating a power tool. Do not use a power tool while you are tired or under the influence of drugs, alcohol or medication.** A moment

of inattention while operating power tools may result in serious personal injury.

- b) **Use personal protective equipment. Always wear eye protection.** Protective equipment such as dust mask, non-skid safety shoes, hard hat, or hearing protection used for appropriate conditions will reduce personal injuries.
- c) **Prevent unintentional starting. Ensure the switch is in the off position before connecting to power source and/or battery pack, picking up or carrying the tool.** Carrying power tools with your finger on the switch or energising power tools that have the switch on invites accidents.
- d) **Remove any adjusting key or wrench before turning the power tool on.** A wrench or a key left attached to a rotating part of the power tool may result in personal injury.
- e) **Do not overreach. Keep proper footing and balance at all times.** This enables better control of the power tool in unexpected situations.
- f) **Dress properly. Do not wear loose clothing or jewellery. Keep your hair, clothing and gloves away from moving parts.** Loose clothes, jewellery or long hair can be caught in moving parts.
- g) **If devices are provided for the connection of dust extraction and collection facilities, ensure these are connected and properly used.** Use of dust collection can reduce dust-related hazards.
- h) **Do not let familiarity gained from frequent use of tools allow you to become complacent and ignore tool safety principles.** A careless action can cause severe injury within a fraction of a second.

4) Power tool use and care

- a) **Do not force the power tool. Use the correct power tool for your application.** The correct power tool will do the job better and safer at the rate for which it was designed.
- b) **Do not use the power tool if the switch does not turn it on and off.** Any power tool that cannot be controlled with the switch is dangerous and must be repaired.
- c) **Disconnect the plug from the power source and/or remove the battery pack, if detachable, from the power tool before making any adjustments, changing accessories, or storing power tools.** Such preventive safety measures reduce the risk of starting the power tool accidentally.
- d) **Store idle power tools out of the reach of children and do not allow persons unfamiliar with the power tool or these instructions to operate the power tool.** Power tools are dangerous in the hands of untrained users.
- e) **Maintain power tools and accessories. Check for misalignment or binding of moving parts, breakage of parts and any other condition that may affect the power tool's operation. If damaged, have the power tool repaired before use.** Many accidents are caused by poorly maintained power tools.

- f) **Keep cutting tools sharp and clean.** Properly maintained cutting tools with sharp cutting edges are less likely to bind and are easier to control.
- g) **Use the power tool, accessories and tool bits etc., in accordance with these instructions taking into account the working conditions and the work to be performed.** Use of the power tool for operations different from those intended could result in a hazardous situation.
- h) **Keep handles and grasping surfaces dry, clean and free from oil and grease.** Slippery handles and grasping surfaces do not allow for safe handling and control of the tool in unexpected situations.

5) Service


- a) **Have your power tool serviced by a qualified repair person using only identical replacement parts.** This will ensure that the safety of the power tool is maintained.

Safety Instructions for Table Saws

1) Guarding Related Warnings

- a) **Keep guards in place. Guards must be in working order and be properly mounted.** A guard that is loose, damaged, or is not functioning correctly must be repaired or replaced.
- b) **Always use saw blade guard, riving knife and anti-kickback pawls for every through-cutting operation.** For through-cutting operations where the saw blade cuts completely through the thickness of the workpiece, the guard and other safety devices help reduce the risk of injury.
- c) **Immediately reattach the guarding system after completing an operation (such as rabbeting cuts) which requires removal of the guard, riving knife and/or anti-kickback device.** The guard, riving knife, and anti-kickback device help to reduce the risk of injury.
- d) **Make sure the saw blade is not contacting the guard, riving knife or the workpiece before the switch is turned on.** Inadvertent contact of these items with the saw blade could cause a hazardous condition.
- e) **Adjust the riving knife as described in this instruction manual.** Incorrect spacing, positioning and alignment can make the riving knife ineffective in reducing the likelihood of kickback.
- f) **For the riving knife and anti-kickback pawls to work, they must be engaged in the workpiece.** The riving knife and anti-kickback pawls are ineffective when cutting workpieces that are too short to be engaged with the riving knife and anti-kickback pawls. Under these conditions a kickback cannot be prevented by the riving knife and anti-kickback pawls.
- g) **Use the appropriate saw blade for the riving knife.** For the riving knife to function properly, the saw blade diameter must match the appropriate riving knife and the body of the saw blade must be thinner than the thickness of the riving knife and the cutting width of the saw blade must be wider than the thickness of the riving knife.

2) Cutting Procedures Warnings

- a)  **DANGER: Never place your fingers or hands in the vicinity or in line with the saw blade.** A moment of inattention or a slip could direct your hand towards the saw blade and result in serious personal injury.
- b) **Feed the workpiece into the saw blade or cutter only against the direction of rotation.** Feeding the workpiece in the same direction that the saw blade is rotating above the table may result in the workpiece, and your hand, being pulled into the saw blade.
- c) **Never use the mitre gauge to feed the workpiece when ripping and do not use the rip fence as a length stop when cross cutting with the mitre gauge.** Guiding the workpiece with the rip fence and the mitre gauge at the same time increases the likelihood of saw blade binding and kickback.
- d) **When ripping, always apply the workpiece feeding force between the fence and the saw blade. Use a push stick when the distance between the fence and the saw blade is less than 150 mm, and use a push block when this distance is less than 50 mm.** "Work helping" devices will keep your hand at a safe distance from the saw blade.
- e) **Use only the push stick provided by the manufacturer or constructed in accordance with the instructions.** This push stick provides sufficient distance of the hand from the saw blade.
- f) **Never use a damaged or cut push stick.** A damaged push stick may break causing your hand to slip into the saw blade.
- g) **Do not perform any operation "freehand". Always use either the rip fence or the mitre gauge to position and guide the workpiece.** "Freehand" means using your hands to support or guide the workpiece, in lieu of a rip fence or mitre gauge. Freehand sawing leads to misalignment, binding and kickback.
- h) **Never reach around or over a rotating saw blade.** Reaching for a workpiece may lead to accidental contact with the moving saw blade.
- i) **Provide auxiliary workpiece support to the rear and/or sides of the saw table for long and/or wide workpieces to keep them level.** A long and/or wide workpiece has a tendency to pivot on the table's edge, causing loss of control, saw blade binding and kickback.
- j) **Feed workpiece at an even pace. Do not bend or twist the workpiece. If jamming occurs, turn the tool off immediately, unplug the tool then clear the jam.** Jamming the saw blade by the workpiece can cause kickback or stall the motor.
- k) **Do not remove pieces of cut-off material while the saw is running.** The material may become trapped between the fence or inside the saw blade guard and the saw blade pulling your fingers into the saw blade. Turn the saw off and wait until the saw blade stops before removing material.

- l) **Use an auxiliary fence in contact with the table top when ripping workpieces less than 2 mm thick.** A thin workpiece may wedge under the rip fence and create a kickback.

3) Kickback Causes and Related Warnings

Kickback is a sudden reaction of the workpiece due to a pinched, jammed saw blade or misaligned line of cut in the workpiece with respect to the saw blade or when a part of the workpiece binds between the saw blade and the rip fence or other fixed object.

Most frequently during kickback, the workpiece is lifted from the table by the rear portion of the saw blade and is propelled towards the operator.

Kickback is the result of saw misuse and/or incorrect operating procedures or conditions and can be avoided by taking proper precautions as given below.

- a) **Never stand directly in line with the saw blade. Always position your body on the same side of the saw blade as the fence.** Kickback may propel the workpiece at high velocity towards anyone standing in front and in line with the saw blade.
- b) **Never reach over or in back of the saw blade to pull or to support the workpiece.** Accidental contact with the saw blade may occur or kickback may drag your fingers into the saw blade.
- c) **Never hold and press the workpiece that is being cut off against the rotating saw blade.** Pressing the workpiece being cut off against the saw blade will create a binding condition and kickback.
- d) **Align the fence to be parallel with the saw blade.** A misaligned fence will pinch the workpiece against the saw blade and create kickback.
- e) **Use a featherboard to guide the workpiece against the table and fence.** A featherboard helps to control the workpiece in the event of a kickback.
- f) **Support large panels to minimise the risk of saw blade pinching and kickback.** Large panels tend to sag under their own weight. Support(s) must be placed under all portions of the panel overhanging the table top.
- g) **Use extra caution when cutting a workpiece that is twisted, knotted, warped or does not have a straight edge to guide it with a mitre gauge or along the fence.** A warped, knotted, or twisted workpiece is unstable and causes misalignment of the kerf with the saw blade, binding and kickback.
- h) **Never cut more than one workpiece, stacked vertically or horizontally.** The saw blade could pick up one or more pieces and cause kickback.
- i) **When restarting the saw with the saw blade in the workpiece, centre the saw blade in the kerf so that the saw teeth are not engaged in the material.** If the saw blade binds, it may lift up the workpiece and cause kickback when the saw is restarted.

- j) **Keep saw blades clean, sharp, and with sufficient set. Never use warped saw blades or saw blades with cracked or broken teeth.** Sharp and properly set saw blades minimise binding, stalling and kickback.

4) Table Saw Operating Procedure Warnings

- a) **Turn off the table saw and disconnect from the power source when removing the table insert, changing the saw blade or making adjustments to the riving knife, anti-kickback pawls or saw blade guard, and when the machine is left unattended.** Precautionary measures will avoid accidents.
- b) **Never leave the table saw running unattended. Turn it off and don't leave the tool until it comes to a complete stop.** An unattended running saw is an uncontrolled hazard.
- c) **Locate the table saw in a well-lit and level area where you can maintain good footing and balance. It should be installed in an area that provides enough room to easily handle the size of your workpiece.** Cramped, dark areas, and uneven slippery floors invite accidents.
- d) **Frequently clean and remove sawdust from under the saw table and/or the dust collection device.** Accumulated sawdust is combustible and may self-ignite.
- e) **The table saw must be secured.** A table saw that is not properly secured may move or tip over.
- f) **Remove tools, wood scraps, etc. from the table before the table saw is turned on.** Distraction or a potential jam can be dangerous.
- g) **Always use saw blades with correct size and shape (diamond versus round) of arbour holes.** Saw blades that do not match the mounting hardware of the saw will run off-centre, causing loss of control.
- h) **Never use damaged or incorrect saw blade mounting means such as flanges, saw blade washers, bolts or nuts.** These mounting means were specially designed for your saw, for safe operation and optimum performance.
- i) **Never stand on the table saw, do not use it as a stepping stool.** Serious injury could occur if the tool is tipped or if the cutting tool is accidentally contacted.
- j) **Make sure that the saw blade is installed to rotate in the proper direction. Do not use grinding wheels, wire brushes, or abrasive wheels on a table saw.** Improper saw blade installation or use of accessories not recommended may cause serious injury.

Additional Safety Rules for Table Saws



WARNING: Cutting plastics, sap coated wood, and other materials may cause melted material to accumulate on the blade tips and the body of the saw blade, increasing the risk of blade overheating and binding while cutting.

- **Avoid awkward positions, where a sudden slip could cause a hand to move into a saw blade.**
- **Do not attempt to retrieve materials near the blade on the saw table while the blade is spinning.**

- **Never reach in back of, or around, the cutting tool with either hand to hold down the workpiece.**
- **Keep arms, hands and fingers away from the blade to prevent serious injury.**
- **Use a push stick that is appropriate to the application to push workpieces through the saw.** A push stick is a wooden or plastic stick, often homemade, that should be used whenever the size or shape of the workpiece would cause you to place your hands within 152 mm of the blade.
- **Use hold-downs, jigs, fixtures or feather boards to help guide and control the workpiece.** Accessories for use with your tool are available at extra cost from your local dealer or authorized service centre.
- **Do not perform ripping, crosscutting or any other operation freehand.**
- **Never reach around or over saw blade while the blade is spinning.**
- **Stability.** Make sure the table saw is firmly mounted to a secure surface before use and does not move.
- **The table saw should only be set up on a level and stable surface.** The work area should be free from obstructions and trip hazards. No materials or tools should be leaned against the saw.
- **Never cut metals, cement board or masonry.** Certain man-made materials have special instructions for cutting on table saws. Follow the manufacturer's recommendations at all times. Damage to the saw and personal injury may result.
- **Do not install a diamond masonry blade and attempt to use the table saw as a wet saw.**
- **The proper throat plate must be locked in place at all times to reduce the risk of a thrown workpiece and possible injury.**
- **Wear gloves when handling saw blades.**
- **Use the correct saw blade for the intended operation.** The blade must rotate toward the front of the saw. Always tighten the blade arbor nut securely. Before use, inspect the blade for cracks or missing teeth. Do not use a damaged or dull blade.
- **Never attempt to free a stalled saw blade without first turning the machine off and disconnect tool from power source.** If a workpiece or cut-off piece becomes trapped inside the blade guard assembly, turn saw off and wait for blade to stop before lifting the blade guard assembly and removing the piece.
- **Never start the machine with the workpiece against the blade to reduce the risk of a thrown workpiece and personal injury.**
- **Do not have any part of your body in line with the blade.** Personal injury may occur. Stand to either side of the blade.
- **Never perform layout, assembly or set-up work on the table/work area when the machine is running.** A sudden slip could cause a hand to move into the blade. Severe injury can result.

- **Never perform any adjustments while the saw is running such as fence repositioning or removal, bevel lock adjustment, or blade height adjustment.**
- **Clean the table/work area before leaving the machine.**
Lock the switch in the "OFF" position and disconnect tool from power source to prevent unauthorized use.
- **Always lock the fence and bevel adjustment before cutting.**
- **Avoid overheating the saw blade tips.** Keep material moving and parallel with the fence. Do not force work into the blade.
- **If cutting plastic materials, avoid melting the plastic.**
- **Do not leave a long board (or other workpiece) unsupported so the spring of the board causes it to shift on the table resulting in loss of control and possible injury.** Provide proper support for the workpiece, based on its size and the type of operation to be performed. Hold the work firmly against the fence and down against the table surface.
- **If this saw makes an unfamiliar noise or if it vibrates excessively, cease operating immediately, turn unit off and disconnect tool from power source until the problem has been located and corrected.** Contact a DEWALT factory service centre, a DEWALT authorized service centre or other qualified service personnel if the problem can not be found.
- **Do not operate this machine until it is completely assembled and installed according to the instructions.** A machine incorrectly assembled can cause serious injury.
- **Never attempt to cut a stack of loose pieces of material which could cause loss of control or kickback.** Support all materials securely.

Saw Blades



WARNING: to minimise the risk of kickback and to ensure proper cutting, the splitter and riving knife must be the proper thickness for the blade used. If a different blade is used, check the blade body (plate) thickness and the blade kerf (cutting) width marked on the blade or on the blade packaging. The splitter and riving knife thickness must be greater than the body thickness and less than the kerf width.

- Do not use saw blades that do not conform to the dimensions stated in the **Technical Data**. Do not use any spacers to make a blade fit onto the spindle. Use only the blades specified in this manual, complying with EN847-1, if intended for wood and similar materials.
- Consider applying specially designed noise-reduction blades.
- Do not use high steel (HS) saw blades.
- Do not use cracked or damaged saw blades.
- Ensure that the chosen saw blade is suitable for the material to be cut.
- Always wear gloves for handling saw blades and rough material. Saw blades should be carried in a holder wherever practicable.

Residual risks

The following risks are inherent to the use of saws:

- *injuries caused by touching the rotating parts*
- In spite of the application of the relevant safety regulations and the implementation of safety devices, certain residual risks cannot be avoided. These are:
- *Impairment of hearing.*
 - *Risk of accidents caused by the uncovered parts of the rotating saw blade.*
 - *Risk of injury when changing the saw blade with unprotected hands.*
 - *Risk of squeezing fingers when opening the guards.*
 - *Health hazards caused by breathing dust developed when sawing wood, especially oak, beech and MDF.*

The following factors are of influence to noise production:

- *the material to be cut*
- *the type of saw blade*
- *the feed force*
- *machine maintenance*

The following factors are of influence to dust exposure:

- *worn saw blade*
- *dust extractor with air velocity less than 20 m/s*
- *workpiece not exactly guided*

Electrical Safety

The electric motor has been designed for one voltage only. Always check that the power supply corresponds to the voltage on the rating plate.



Your DEWALT tool is double insulated in accordance with IEC60745; therefore no earth wire is required.



WARNING: 220-240V units have to be operated via a fail-safe isolating transformer with an earth screen between the primary and secondary winding.

If the supply cord is damaged, it must be replaced only by DEWALT or an authorised service organisation.

NOTE: This device is intended for the connection to a power supply system with maximum permissible system impedance Z_{max} of 0.28 Ω at the interface point (power service box) of user's supply. The user has to ensure that this device is connected only to a power system which fulfills the requirement above. If necessary, the user can ask the public power supply company for the system impedance at the interface point.

Using an Extension Cable

If an extension cable is required, use an approved 3-core extension cable suitable for the power input of this tool (see **Technical Data**). The minimum conductor size is 1.5 mm²; the maximum length is 30 m.

When using a cable reel, always unwind the cable completely.

Package Contents

The package contains:

- 1 Partly assembled machine
- 1 Rip fence
- 1 Mitre gauge
- 1 Saw blade
- 1 Upper blade guard assembly
- 1 Throat plate
- 2 Blade wrenches
- 1 Splitter wrench
- 1 Push Stick
- 1 Dust extraction adapter
- 2 Screws
- 1 Splitter Plate
- 1 Instruction manual
- Check for damage to the tool, parts or accessories which may have occurred during transport.
- Take the time to thoroughly read and understand this manual prior to operation.

Markings on Tool

The following pictograms are shown on the tool:



Read instruction manual before use.



Wear ear protection.



Wear eye protection.



Wear respiratory protection.



Keep hands away from cutting area and the blade.



splitter thickness



Saw blade body thickness and kerf width



Saw blade diameter



Lock/unlock cover at the main switch.



Unplug saw before changing blade



Protect the supply cord/plug against humidity and sharp edges of saw blade

Date Code Position (Fig. A)

The Date Code **51**, which also includes the year of manufacture, is printed into the housing.

Example:

2021 XX XX

Year of Manufacture

Description (Fig. A, B)



WARNING: Never modify the power tool or any part of it. Damage or personal injury could result.

- 1 Table
- 2 Blade
- 3 Rip scale indicator
- 4 Fine adjust knob
- 5 Rail lock lever
- 6 Blade height adjustment wheel
- 7 Bevel lock lever
- 8 ON/OFF switch
- 9 Mounting holes
- 10 Mitre gauge
- 11 Blade guard assembly
- 13 Splitter
- 14 Dust exhaust port
- 15 Guard dust exhaust port
- 16 Throat plate
- 17 Rip fence
- 18 Rip fence latch
- 19 Work support/narrow rip fence (shown in stored position)
- 20 Blade wrenches
- 21 Push stick (shown in stored position)
- 50 Carrying handles
- 53 Splitter Wrench
- 54 Screw
- 55 Moutain Block
- 56 Splitter Plate

Intended Use

DWE7492 table saw is designed for professional ripping, cross-cutting, mitreing and bevelling with various materials as wood, wood composite materials and plastics.

DO NOT use under wet conditions or in the presence of flammable liquids or gases.

DO NOT use for cutting metal, cement board, or masonry.

DO NOT use shaping cutter heads on this saw.

DO NOT perform tapered cuts without a tapered jig accessory.

DO NOT use the saw for plunge or cove cutting.

These table saws are professional power tools.

DO NOT let children come into contact with the tool. Supervision is required when inexperienced operators use this tool.

- **Young children and the infirm.** This appliance is not intended for use by young children or infirm persons without supervision. This product is not intended for use by persons (including children) suffering from diminished physical, sensory or mental abilities; lack of experience, knowledge or skills unless they are supervised by a person responsible for their safety. Children should never be left alone with this product.

ASSEMBLY

- ⚠ **WARNING:** To reduce the risk of serious personal injury, turn tool off and disconnect tool from power source before making any adjustments or removing/installing attachments or accessories. An accidental start-up can cause injury.

Unpacking

- Remove the saw from the packaging material carefully.
- The machine is fully assembled except for the rip fence, blade guard assembly, mitre gauge, blade wrenches, and dust extraction reducer port.
- Finalize the assembly following the instructions as described below.

- ⚠ **WARNING:** Always keep the push stick in its place when not in use.

Mounting the Saw Blade (Fig. A, C)

- ⚠ **WARNING:** To reduce the risk of injury, turn unit off and disconnect machine from power source before installing and removing accessories, before adjusting or changing set-ups or when making repairs. An accidental start-up can cause injury.

- ⚠ **WARNING:** When mounting the saw blade, wear protective gloves. The teeth of the saw blades are very sharp and can be dangerous.

- ⚠ **WARNING:** The saw blade **MUST** be replaced as described in this section. **ONLY** use saw blades as specified under **Technical Data**. We suggest DT4226. **NEVER** fit other saw blades.

- ⚠ **WARNING:** Do not touch the saw blade after working before it has cooled. The saw blade becomes very hot while working.

NOTE: This tool has blade installed from factory.

1. Raise the saw blade arbor to its maximum height by turning the blade height adjustment wheel **6** clockwise.
2. Remove the throat plate **16**. Refer to **Mounting the Throat Plate**.
3. Using wrenches **20**, loosen and remove the arbor nut **22** and flange **24** from the saw arbor by turning anti-clockwise.
4. Place the saw blade on to the spindle **23** making sure the teeth of the blade **2** point down at the front of the table. Assemble the washers and arbor nut to the spindle and

tighten arbor nut **22** as far as possible by hand, making sure that the saw blade is against the inner washer and the outer flange **24** is against the blade. Ensure the largest diameter of the flange is against the blade. Ensure the spindle and washers are free from dust and debris.

5. To keep the spindle from rotating when tightening the arbor nut, use the open end of the blade wrench **20** to secure the spindle.
6. Using the arbor wrench, tighten the arbor nut **22** by turning it clockwise.
7. Replace the throat plate.

- ⚠ **WARNING:** Always check the rip fence pointer and the blade guard assembly after having changed the blade.

Mounting the Blade Guard Assembly (Fig. A, D)

- ⚠ **WARNING:** Use the guard assembly for all through cutting.

1. Set the saw blade **2** to the maximum cutting depth. Set it at 45° and lock it.
2. Put the splitter **13** on mounting block **55** and add the splitter plate **56**.
3. Lock them by tightening the two screws **54**, the recommended torque is 12 +/- 1.0 N.m.
4. Mount the blade guard assembly **11** on the splitter **13** and adjust it with the butterfly nut.

- ⚠ **WARNING:** Before connecting the table saw to the power source or operating the saw, always inspect the blade guard assembly for proper alignment and clearance with saw blade. Check alignment after each change of bevel angle.

- ⚠ **WARNING:** To reduce the risk of serious personal injury, DO NOT operate saw if blade assembly is not securely clamped in place.

When properly aligned, the splitter **13** will be in line with the blade at both table top level, and at the top of the blade. Using a straight edge, ensure that the blade **2** is aligned with the splitter **13**. With power disconnected, operate the blade tilt and height adjustments through the extremes of travel and insure the blade guard assembly clears the blade in all operations. Refer to **Aligning Guard Assembly/Splitter to Blade**.

- ⚠ **WARNING:** Correct mounting and alignment of the blade guard assembly is essential to safe operation!

To Remove the Splitter/Blade Guard Assembly (Fig. D)

1. Loosen the butterfly nut and remove the blade guard assembly **11** from splitter **13**.
2. Dismount the splitter screws **54**.
3. Remove the splitter plate **56** and splitter **13**

Mounting the Throat Plate (Fig. E)

1. Align the throat plate **16** as shown in Figure E, and insert the tabs on the back of the throat plate into the holes on the back of the table opening.

- Turn the locking screw **40** clockwise 90° to lock the table insert in place.
- The throat plate includes four adjustment screws **25** which raise or lower the throat plate. When properly adjusted, the front of the throat plate should be flush or slightly below the surface of the table top and secured in place. The rear of the throat plate should be flush or slightly above the table top.



WARNING: Never use the machine without the throat plate. Immediately replace the throat plate when worn or damaged.

To Remove the Throat Plate

- Remove the throat plate **16** by turning the locking screw **40** 90° anti-clockwise
- Using finger hole **26**, pull throat plate up and forward to expose the inside of the saw. DO NOT operate the saw without the throat plate. If using a dado blade, use proper dado throat plate (sold separately).

Fitting the Rip Fence (Fig. F)

The rip fence can be installed in two positions on the right (Position 1 for 0 mm to 62 cm ripping, and Position 2 for 20.3 cm to 82.5 cm ripping) and one position on the left of your table saw.

- Unlock the rip fence latches **18**.
- Holding the fence at an angle, align the locator pins (front and back) **29** on the fence rails with the fence head slots **30**.
- Slide the head slots onto the pins and rotate the fence down until it rests on the rails.
- Lock the fence in place by closing the front and back latches **18** onto the rails.

Bench Mounting (Fig. A)



CAUTION: To reduce the risk of personal injury, make sure table saw is firmly mounted to a stable surface before use.



CAUTION: Ensure that the surface is stable enough that large pieces of material will not cause it to tip over during use.

The table saw must be mounted firmly. Four holes **9** are provided in the tool's base for mounting. We strongly recommend that these holes be used to anchor the table saw to your workbench or other stationary rigid frame.

- Centre the saw on a square piece of 12.7 mm plywood.
- Mark the positions of the two rear mounting holes (spaced 220 mm apart) in the frame of the saw with a pencil. Then measure forward 498.5 mm for the two front holes spaced 230 mm apart.
- Remove the saw and drill 9 mm holes in the places you have just marked.
- Position the saw over the four holes you drilled in the plywood and insert four 8 mm machine screws FROM THE BOTTOM. Install washers and 8 mm nuts on the top. Tighten securely.
- In order to prevent the screw heads from marring the surface to which you clamp the saw, attach two strips of

scrap wood to the bottom of the plywood base. These strips can be attached with wood screws installed from the top side as long as they don't protrude through the bottom of the strip.

- Use a "C" clamp to secure the plywood base to your workbench whenever you use the saw.

ADJUSTMENTS

Blade Adjustment (Fig. G)

Blade Alignment (Parallel to Mitre Slot)



WARNING: Cut Hazard. Check the blade at 0° and 45° to make sure blade does not hit the throat plate, causing personal injury.

If the blade appears to be out of alignment with the mitre slot on the table top, it will require calibration for alignment. To realign the blade and mitre slot, use the following procedure:



WARNING: To reduce the risk of injury, turn unit off and disconnect machine from power source before installing and removing accessories, before adjusting or changing set-ups or when making repairs. An accidental start-up can cause injury.

- Using a 5 mm hex wrench, loosen rear pivot bracket fasteners **32**, located on the underside of the table, just enough to allow the bracket to move side-to-side.
- Adjust the bracket until the blade is parallel to the mitre gauge slot.
- Tighten the rear pivot bracket fasteners to 12.5–13.6 Nm (110–120 in-lbs).

Blade height adjustment (Fig. A)

The blade can be raised and lowered by turning the blade height adjustment wheel **6**.

Make sure the top three teeth of the blade are just breaking through the upper surface of the workpiece when sawing. This will ensure that the maximum number of teeth are removing material at any given time, thus giving optimum performance.

Aligning Guard Assembly/Splitter to Blade (Fig. A, H)

- Remove the throat plate. Refer to **Remove Throat Plate**.
- Raise the blade to full depth of cut and 0° bevel angle.
- Locate the three small set screws **39** adjacent to the guard assembly lock shaft **38**. These screws will be used to adjust the guard assembly position.
- Lay a straight edge on the table against two blade tips. The splitter **13** should not touch the straight edge. If needed, loosen the two larger lock screws **41**.
- Adjust the small set screws **39** to move the splitter according to the position noted in step 4. Lay the straight edge on the opposite side of the blade and repeat adjustments as needed.
- Lightly tighten the two larger lock screws **41**.

- Place a square flat against the splitter to verify splitter is vertical and in-line with the blade.
- If needed, use the set screws to bring the splitter vertical with the square.
- Repeat steps 4 and 5 to verify position of splitter.
- Fully tighten the two larger lock screws **41**.
- Re-install and lock the throat plate **16**.

Parallel Adjustment (Fig. A, I, J, O)



For optimum performance, the blade must be parallel to the rip fence. This adjustment has been made at the factory. To re-adjust:

Position 1 Fence Alignment

- Install the fence in position 1 and unlock the rail lock lever **5**. Locate both locator pins **29** that support the fence on the front and rear rails.
- Loosen the rear locator pin screw and adjust the alignment of the fence in the groove until the fence face is parallel to the blade. Make sure you measure from the fence face to the front and back of the blade to ensure alignment.
- Tighten the locator screw and repeat on the left side of the blade.
- Check rip scale pointer adjustment (Fig. J).

Position 2 Fence Alignment

- To align position 2 fence locator pins **29**, ensure position 1 pins have been aligned, refer to **Position 1 Fence Alignment**.
- Loosen the position 2 pins, then using the blade wrench holes as a guide for positioning, align the pins (Fig. O).
- Tighten the locator pins (front and rear).

Adjusting the Rip Scale (Fig. A, J)

- Unlock the rail lock lever **5**.
- Set the blade at 0° bevel and move the fence in until it touches the blade.
- Lock the rail lock lever.
- Loosen the rip scale indicator screws **31** and set the rip scale indicator to read zero (0). Retighten the rip scale indicator screws. The yellow rip scale (top) reads correctly only when the fence is mounted on the right side of the blade and is in position 1 (for zero to 62 cm ripping) not the 82.5 cm rip position. The white scale (bottom) reads correctly only when the fence is mounted on the right side of the blade and in position 2 (for 20.3 cm to 82.5 cm ripping).

The rip scale reads correctly only when the fence is mounted to the right of the blade.

Rail Lock Adjustment (Fig. A, K)

The rail lock has been factory-set. If you need to re-adjust, proceed as follows:

- Lock the rail lock lever **5**.

- Tighten the hex rod **34** until the spring on the locking system is compressed creating the desired tension on the rail lock lever. Retighten the jam nut against the hex rod.
- Flip the saw over and check that the fence does not move when the lock lever is engaged. If the fence is still loose, tighten the spring further.

Bevel Stop and Pointer Adjustment (Fig. L)

- Raise the blade fully by rotating the blade height adjustment wheel **6** clockwise until it stops.
- Unlock the bevel lock lever **7** by pushing it up and to the right. Loosen the bevel stop screw **36**.
- Place a square flat against the table top and against the blade between teeth. Ensure the bevel lock lever is in its unlocked, or up position.
- Using the bevel lock lever, adjust the bevel angle until the blade is flat against the square.
- Tighten the bevel lock lever by pushing it down.
- Turn the bevel stop cam **35** until it firmly contacts the bearing block. Tighten the bevel stop screw **36**.
- Check the bevel angle scale. If the pointer does not read 0°, loosen pointer screw **37** and move the pointer so it reads correctly. Retighten the pointer screw.
- Repeat at 45°, but do not adjust pointer.

Mitre Gauge Adjustment (Fig. A)

To adjust mitre gauge **10** loosen knob, set to desired angle and tighten knob.

Body and Hand Position

Proper positioning of your body and hands when operating the table saw will make cutting easier, more accurate and safer.



WARNING:

- Never place your hands near the cutting area.
- Place your hands no closer than 150 mm from the blade.
- Do not cross your hands.
- Keep both feet firmly on the floor and maintain proper balance.

Prior to Operation



WARNING:

- Install the appropriate saw blade. Do not use excessively worn blades. The maximum rotation speed of the tool must not exceed that of the saw blade.
- Do not attempt to cut excessively small pieces.
- Allow the blade to cut freely. Do not force.
- Allow the motor to reach full speed before cutting.

OPERATION

Instructions for Use



WARNING: Always observe the safety instructions and applicable regulations.



WARNING: To reduce the risk of serious personal injury, turn tool off and disconnect tool from power source before making any adjustments or removing/installing attachments or accessories. An accidental start-up can cause injury.

The attention of UK users is drawn to the “woodworking machines regulations 1974” and any subsequent amendments. Ensure the machine is placed to satisfy your ergonomic conditions in terms of table height and stability. The machine site shall be chosen so that the operator has a good overview and enough free surrounding space around the machine that allows handling of the workpiece without any restrictions.

To reduce effects of increased vibration, make sure the environment is not too cold, the machine and accessory are well maintained and the workpiece size is suitable for this machine.



WARNING:

- Ensure the machine is placed to satisfy ergonomic conditions in terms of table height and stability. The machine site shall be chosen so that the operator has a good overview and enough free surrounding space around the machine that allow handling of the workpiece without any restrictions.
- Install the appropriate saw blade. Do not use excessively worn blades. The maximum rotation speed of the tool must not exceed that of the saw blade.
- Do not attempt to cut excessively small pieces.
- Allow the blade to cut freely. Do not force.
- Allow the motor to reach full speed before cutting.
- Make sure all locking knobs and clamp handles are tight.
- Never place either hand in the blade area when the saw is connected to the electrical power source.
- Never use your saw for freehand cuts!
- Do not saw warped, bowed or cupped workpieces. There must be at least one straight, smooth side to go against the rip fence or mitre fence.
- Always support long workpieces to prevent kickback.
- Do not remove any cut-offs from the blade area while the blade is running.

Switching On and Off (Fig. M)

The on/off switch **8** of your saw bench offers multiple advantages:

- No-volt release function: should the power be shut off for any reason, the switch has to be deliberately reactivated.
- To switch the machine on, press the green start button.
- To switch the machine off, press the red stop button.

Lock Off Feature Instructions

A cover above the switch folds down for insertion of a padlock to lock the saw off. A padlock with a maximum diameter of 6.35 mm and minimum clearance of 76.2 mm is recommended.

Rip Fence Operation (Fig. N–P)

Rail lock lever

The rail lock lever **5** locks the fence in place preventing movement during cutting. To lock the rail lever, push it down and toward the rear of the saw. To unlock, pull it up and toward the front of the saw.

NOTE: When ripping, always lock the rail lock lever.

Work Support Extension / Narrow Ripping Fence

Your table saw is equipped with a work support extension to support work that extends beyond the saw table.

To use the narrow ripping fence in the work support position, rotate it from its stored position as shown in Figure O, and slide the pins into the lower sets of slots **27** on both ends of the fence.

To use the narrow ripping fence in the narrow ripping position, snap the pins into the upper sets of slots **28** on both ends of the fence. This feature will allow 51 mm of extra clearance to the blade. Refer to Figure P.

NOTE: Retract the work support extension or adjust to narrow rip fence position whenever working over the table.

NOTE: When using the narrow ripping fence, subtract 51 mm from the indicated rip scale reading.

Fine Adjustment Knob

The fine adjustment knob **4** allows smaller adjustments when setting the fence. Before adjusting, be sure the rail lock lever is in its up or unlocked, position.

Rip Scale Pointer

The rip scale pointer will need to be adjusted for proper performance of the rip fence if the user switches between thick and thin kerf blades. The rip scale pointer only reads correctly when the fence is installed in position 1 or 2 to the right side of the blade. When using the narrow ripping fence for narrow ripping (not in work support position), subtract 51 mm from the indicated rip scale reading. See **Adjusting the Rip Scale** under **Adjustments**.

BASIC SAW CUTS

Through-Cutting Operations



WARNING: Use blade guard assembly for all through-cutting operations.

Ripping (Fig. A, B, Q, R)



WARNING: Sharp edges.

1. Set the blade to 0°.
2. Install the rip fence and lock the rip fence latch **18** (Fig. A).

- Raise the blade until it is about 3 mm higher than the top of the workpiece. Adjust the height of the upper blade guard as necessary.
- Adjust the position of the fence and lock the rail lock lever **5**, refer to **Rip Fence Operation**.
- Hold the workpiece flat on the table and against the fence. Keep the workpiece away from the blade.
- Keep both hands away from the path of the blade (Fig. Q).
- Switch the machine on and allow the blade to reach full speed.
- Slowly feed the workpiece underneath the guard, keeping it firmly pressed against the rip fence. Allow the teeth to cut, and do not force the workpiece through the blade. The blade speed should be kept constant.
- Always use a push stick **21** when working close to the blade (Fig. R).
- After completing the cut, switch the machine off, allow the blade to stop and remove the workpiece.

WARNING:

- Never push or hold the "free" or cut-off-side of the workpiece.
- Do not cut excessively small workpieces.
- Always use a push stick when ripping small workpieces.

Bevel Cuts (Fig. A)

- To set the required bevel angle, rotate the bevel lock lever **7** by pushing it up and to the right.
- To set to desired angle, rotate the lever by pushing it down and to the left to lock in place.
- Proceed as for ripping.

Cross-Cutting and Bevel Crosscutting (Fig. Q)

- Remove the rip fence and install the mitre gauge in the desired slot.
- Lock the mitre gauge at 0°.
- Proceed as for ripping.

Mitre Cuts (Fig. A)

- Set the mitre gauge **10** to the required angle.

NOTE: Always hold the workpiece tightly against the face of the mitre gauge.

- Proceed as for ripping.

Compound Mitre

This cut is a combination of a mitre and a bevel cut. Set the bevel to the angle required and proceed as for a cross-cut mitre.

Support for Long Pieces

- Always support long pieces.
- Support long workpieces using any convenient means such as saw-horses or similar devices to keep the ends from drooping.



Dust extraction (Fig. A, AA)

The machine is provided with a dust exhaust port **14** at the rear of the machine suitable for use with dust extraction equipment featuring 57/65 mm nozzles. Supplied with the machine is a reducer port for use of dust extraction nozzles of 34–40 mm diameter.

Supplied with the machine is a reducer port for use with the DEWALT AirLock system (DWV9000-XJ).

Dust from materials such as lead-containing coatings and some wood types, can be harmful to one's health. Breathing-in the dust can cause allergic reactions and/or lead to respiratory infections of the user or bystanders.

Certain dust, such as oak or beech dust, is considered carcinogenic, especially in connection with wood-treatment additives.

Observe the relevant regulations in your country for the materials to be worked.

The vacuum cleaner must be suitable for the material being worked.

When vacuuming dry dust that is especially detrimental to health or carcinogenic, use dust class M vacuum cleaner.

The blade guard assembly also features a dust exhaust port for 35 mm nozzles (M class vacuum).

- During all operations, connect a dust extraction device designed in accordance with the relevant regulations regarding dust emission.
- Ensure that the dust extraction hose in use is suitable for the application and material being cut. Ensure proper hose management.
- Be aware that man-made materials such as chipboard or MDF produce more dust particles during cutting than natural timber.

Storage (Fig. B, X–Z)

Store the machine in a safe manner when not being used. The storage location must be dry and lockable. This prevents the machine from storage damage, and from being operated by untrained persons.

- Attach push stick **21** to fence.
- Slide blade wrenches **20** into pocket until yellow button aligns with hole to secure in place, refer to Figure B.
- Insert guide bar of mitre gauge into pocket until it bottoms out.
- Wrap cord in this location **43**. Refer to Figure Z.
- To store fence, snap work support in stored position. Remove fence from rails. Reattach fence upside down on left side of saw, refer to Figure Y. DO NOT hook locator slots on left side fence locator screws. These screws will align with clearance pocket on fence as shown. Close the rip fence latches **18** to secure.

Transporting (Fig. A, B)

Before transportation following has to be done:

- Wrap cord
- Turn the blade height adjustment wheel **6** in anticlockwise direction until the teeth of the saw blade are positioned below the saw table. Lock the bevel lock lever **7**.
- Slide the fence rails completely inward and fix it by rail lock lever **5**.
- Always carry the machine using the designated handles **50**, refer to Figures A and B.



WARNING: Always transport the machine with the upper blade guard fitted.

MAINTENANCE

Your DEWALT power tool has been designed to operate over a long period of time with a minimum of maintenance. Continuous satisfactory operation depends upon proper tool care and regular cleaning.



WARNING: To reduce the risk of serious personal injury, turn tool off and disconnect tool from power source before making any adjustments or removing/installing attachments or accessories. An accidental start-up can cause injury.



Lubrication (Fig. T)

The motor and bearings require no additional lubrication. If raising and lowering the blade becomes difficult, clean and grease the height adjustment screws:

1. Unplug the saw from power source.
2. Turn the saw on its side.
3. Clean and lubricate the height adjustment screw threads **42** on the underside of this saw as shown in Figure T. Use general purpose grease.



Cleaning (Fig. A, S)



WARNING: To reduce the risk of serious personal injury, turn unit off and disconnect machine from power source before cleaning. An accidental start-up can cause injury.



WARNING: Blow dirt and dust out of the main housing with dry air as often as dirt is seen collecting in and around the air vents. Wear approved eye protection and approved dust mask when performing this procedure.



WARNING: Never use solvents or other harsh chemicals for cleaning the non-metallic parts of the tool. These chemicals may weaken the materials used in these parts. Use a cloth dampened only with water and mild soap. Never let any liquid get inside the tool; never immerse any part of the tool into a liquid.



WARNING: To reduce the risk of injury, regularly clean the table top.



WARNING: To reduce the risk of injury, regularly clean the dust collection system.

The blade guard assembly **11** and throat plate must be placed in position before operating the saw.

Before use, carefully inspect upper and lower blade guards as well as the dust extraction tube to determine that it will operate properly. Ensure that chips, dust or work piece particles cannot lead to blockage of one of the functions.

In case workpiece fragments are jammed between saw blade and guards, disconnect the machine from the power supply and follow the instructions given in section **Mounting the saw blade**. Remove the jammed parts and reassemble the saw blade.

Keep the ventilation slots clear and regularly clean the housing with a soft cloth.

Regularly clean the dust collection system:

1. Unplug the saw.
2. Turn the saw on its side, so the bottom, open part of the unit is accessible.
3. Open the dust access door **44** shown in Figure S loosening the two screws and then by pressing the side clips **45** toward each other. Clean out the excess dust, and re-secure by pushing the side clips completely into place then tightening the lock screws.

Optional Accessories



WARNING: Since accessories, other than those offered by DEWALT, have not been tested with this product, use of such accessories with this tool could be hazardous. To reduce the risk of injury, only DEWALT recommended accessories should be used with this product.

Consult your dealer for further information on the appropriate accessories.

Replace blade guard when worn. Contact your local DEWALT service centre for details on a blade guard replacement.

SAW BLADES: ALWAYS USE 250 mm noise reduced saw blades with 25.4 mm arbour holes. Blade speed rating must be at least 5000 RPM. Never use a smaller diameter blade. It will not be guarded properly.

BLADE DESCRIPTIONS		
APPLICATION	DIAMETER	TEETH
Construction Saw Blades (fast rip)		
General Purpose	250 mm	24
Fine Crosscuts	250 mm	40
Woodworking Saw Blades (provide smooth, clean cuts)		
Fine crosscuts	250 mm	60

Consult your dealer for further information on the appropriate accessories.

- DWE74911 Rolling Table Saw Stand
- DWE74912 Scissor Leg Stand

Protecting the Environment



Separate collection. Products and batteries marked with this symbol must not be disposed of with normal household waste.

Products and batteries contain materials that can be recovered or recycled reducing the demand for raw materials. Please recycle electrical products and batteries according to local provisions. Further information is available at www.2helpU.com.

After Service and Repair

- DEWALT service centers are staffed with trained personnel to provide customers with efficient and reliable product service.
- We do not take any responsibility when you have repaired in unauthorized service center. You can refer to the leaflet of CONTACT CENTER LOCATOR in product package and contact us through hotline, website or social media to find the nearest DEWALT service center around you.

테이블 톱

DWE7492

축하합니다!

DEWALT 공구를 선택해 주셔서 감사합니다. DEWALT는 오랜 경험을 토대로 한 제품 개발 및 혁신을 통해 전문 사용자들이 가장 인정하는 기업으로 자리잡아왔습니다.

기술 데이터

		DWE7492
전압	V _{AC}	220
모터 전력 (입력)	W	2000
모터 전력 (출력)	W	1200
무부하 속도	min ⁻¹	4800
블레이드 직경	mm	250
블레이드 보어	mm	25.4
블레이드 본체 두께	mm	2.0
스플리터 두께	mm	2.3
90°에서의 절입 깊이	mm	77
45°에서의 절입 깊이	mm	55
경사각	°	45-90
최대 경사각	°	45-90
연귀 각도	°	30-90
추출 용량	mm	825
전반적인 치수	mm	680 x 650 x 330
무게	kg	26.5

정의: 안전 지침

다음 정의는 각 경고 문구의 심각도를 설명합니다. 사용 설명서를 읽고 다음 기호들에 유의하십시오.



위험: 절박한 위험 상태를 나타내며, 방지하지 않으면 사망 또는 심각한 부상을 초래합니다.



경고: 잠재적 위험 상태를 나타내며, 방지하지 않으면 사망 또는 심각한 부상을 초래할 수 있습니다.



주의: 잠재적으로 위험한 상태를 나타내며, 방지하지 않으면 경미하거나 가벼운 부상을 초래할 수 있습니다.

참고: 신체 부상을 초래하지 않는 행위를 나타내며 방지하지 않으면 재산상의 손해가 발생할 수 있습니다.



감전 위험을 나타냅니다.



화재 위험을 나타냅니다.

전동 공구에 관한 일반 안전 경고



경고: 이 전동 공구와 함께 제공되는 모든 안전 경고와 지시사항, 설명 및 사양을 읽으십시오. 아래 설명한 모든 지시 사항을 따르지 않으면 감전, 화재 및/또는 심각한 부상을 초래할 수 있습니다.

항후 참고할 수 있도록 모든 경고 및 지시 사항을 보관해두십시오.

경고에서 사용된 "전동 공구"라는 용어는 주 공급 전원에 의해 전기가 공급되는(유선) 전동 공구 또는 충전식(무선) 전동 공구를 의미합니다.

1) 작업장 안전

- 작업장을 항상 청결하고 밝게 유지하십시오.** 혼잡하거나 어두운 작업장에서는 사고가 발생하기 쉽습니다.
- 가연성 액체, 가스 또는 먼지 등이 있는 폭발성 대기에서 전동 공구를 사용하지 마십시오.** 전동 공구에서 먼지나 가스를 발화시킬 수 있는 불꽃이 될 수 있습니다.
- 전동 공구로 작업하는 동안에는 어린이와 주변 사람들이 작업 영역에 가까이 들어오지 못하도록 하십시오.** 주변이 산만해져 통제력을 잃을 수 있습니다.

2) 전기 안전

- 동공구의 플러그는 콘센트와 형식이 일치해야 하며, 플러그를 어떤 형태로든 개조하지 마십시오. 또한 접지된 전동공구에 다른 어댑터 플러그를 사용하지 마십시오.** 개조되지 않은 플러그 및 형식이 일치하는 콘센트를 사용하면 감전 위험이 줄어듭니다.
- 파이프 판, 라디에이터, 렌즈, 냉장고 등의 접지 표면에 물이 닿지 않도록 하십시오.** 몸에 닿을 경우 감전이 될 위험이 높아집니다.
- 전동 공구를 비 또는 습한 환경에 노출하지 않도록 주의하십시오.** 전동 공구에 물이 들어가면 감전 위험이 높아집니다.
- 코드를 함부로 다루지 마십시오. 코드를 사용하여 전동공구를 운반하거나, 코드를 과도하게 잡아당겨서 플러그를 뽑지 않도록 주의하십시오. 전열코드가 열기 또는 오일과 접촉되는 것을 피하고, 날카로운 모서리 또는 기기의 기동 부위에 닿지 않도록 주의 하십시오.** 코드가 손상되거나 얽혀 있으면 감전 위험이 높아집니다.
- 전동 공구를 실외에서 사용할 때는 실외 사용에 적합한 연장 코드를 사용하십시오.** 실외 사용에 적합한 코드를 사용하면 감전 위험이 줄어듭니다.
- 전동공구를 습한 공간에서 사용할 경우, 반드시 누전 차단기를 사용하십시오. 누전 차단기(RCD)를 사용하면 감전의 위험이 줄어듭니다.** RCD를 사용하면 감전 위험이 줄어듭니다.

3) 신체 안전 사항

- 전동 공구로 작업할 때는 방심하지 말고 작업에 주의하면서 상식에 따르십시오.** 피곤한 상태이거나 약물, 술, 치료제를 복용한 상태에서는 전동 공구를 사용하지 마십시오. 전동 공구를 사용하다 잠깐만 한 눈을 팔아도 심각한 부상을 당할 수 있습니다.
- 신체 보호 장비를 착용하십시오. 항상 보안경을 착용하십시오.** 적절한 상황에서 방진 마스크, 미끄럼 방지 안전화, 안전도 또는 청력 보호 기구 등의 보호 장비를 사용하면 신체 부상 위험이 줄어듭니다.
- 의도하지 않은 장비 가동 방지. 전원 및/또는 배터리 팩에 연결한 상태로 공구를 선택 또는 운반할 때는 사전에 스위치가 꺼진 위치에 있는지 반드시 확인하십시오.** 스위치가 켜진 위치에 있는 상태에서 스위치에 손가락이

달은 상태로 전동 공구를 운반하거나 전동 공구에 전원을 공급하면 사고가 발생합니다.

- d) **전동 공구를 켜기 전에 모든 조정 키 또는 렌치를 제거하십시오.** 전동 공구의 회전 부품에 렌치나 키가 부착되어 있으면 부상을 당할 수 있습니다.
- e) **무리하게 팔을 뻗지 마십시오. 항상 올바른 자세로 서서 균형을 유지하십시오.** 안정된 자세로 작업을 할 경우 전동 공구를 안전하게 사용할 수 있습니다.
- f) **절한 의복을 착용하십시오. 헐렁한 옷이나 장신구를 착용하지 마십시오.** 머리카락과 옷이 움직이는 부품에 닿지 않도록 유의하십시오. 헐렁한 옷, 장신구 또는 긴 머리가 움직이는 부품에 걸 수 있습니다.
- g) **먼지 배출 및 집진 시설 연결을 위한 장치**가 제공된 경우, 이를 장치가 연결되어 적절히 사용되고 있는지 반드시 확인하십시오. 집진 장치를 사용하면 먼지와 관련된 위험을 줄일 수 있습니다.
- h) 장치를 자주 사용함으로써 생긴 익숙함으로 인해 현실에 안주하거나 공구 안전 원칙을 무시하지 않도록 하십시오. 부주의한 작동은 순식간에 심각한 부상을 야기할 수 있습니다.

4) 전동 공구 사용 및 관리

- a) **전동 공구에 무리한 힘을 가하지 마십시오. 해당 용도에 맞는 올바른 전동 공구를 사용하십시오.** 올바른 전동 공구를 사용하여 설계된 속도로 작업을 더욱 안전하고 정확하게 수행할 수 있습니다.
- b) **켜지지 않거나 꺼지지 않는 경우 전동 공구를 사용하지 마십시오.** 스위치로 제어되지 않는 전동 공구는 위험하므로 수리해야 합니다.
- c) **전동 공구를 조정하거나 액세서리를 변경하거나 보관하기 전에 전동 공구에서 분리되는 경우 전원에서 플러그를 뽑거나 또는 배터리 팩을 분리하십시오.** 이러한 예방적 안전 조치를 따라야 전동 공구가 갑자기 작동할 위험이 줄어듭니다.
- d) **사용하지 않는 전동 공구는 어린이의 손이 닿지 않는 곳에 보관하고, 전동 공구나 본 지시 사항에 익숙하지 않은 사람이 전동 공구를 절대 사용하지 못하게 하십시오.** 전동 공구는 훈련을 받지 않은 사용자가 다루면 위험합니다.
- e) **전동 공구 및 액세서리 유지 보수. 움직이는 부품의 잘못된 정렬이나 바인딩, 부품 파손 및 기타 전동 공구의 작동에 영향을 미칠 수 있는 기타 모든 상태를 확인하십시오.** 손상된 부분이 있는 경우 사용하기 전에 전동 공구를 수리하십시오. 많은 사고는 전동 공구를 제대로 유지 보수하지 않아 발생합니다.
- f) **공구를 깨끗한 상태로 유지하십시오.** 절삭 가장자리를 예리하게 잘 유지하면 절삭기를 사용할 때 바인딩이 적고 다루기가 용이합니다.
- g) **작업 환경과 수행할 작업을 고려하여, 본 지시 사항에 따라 전동 공구, 액세서리 및 톨 비트 등을 사용하십시오.** 본 사용 설명서의 내용과 다른 용도로 전동 공구를 사용하면 위험한 상황이 발생할 수 있습니다.
- h) **핸들과 잡는 표면은 건조하고 깨끗한 상태를 유지하고 오일/기름이 묻지 않도록 하십시오.** 미끄러운 핸들과 잡는 면은 예기치 못한 상황에서 안전한 취급과 공구 관리를 보장하지 않습니다.

5) 정비


- a) **자격을 갖춘 기술자가 동일 교체 부품을 사용하여 정비 작업을 수행해야 합니다.** 그래야 전동 공구의 안전이 보장됩니다.

테이블 톨에 대한 안전 지침

1) 가드 관련 경고 사항

- a) **가드를 제자리에 두십시오. 가드는 작동 상태에 있고 올바르게 장착되어 있어야 합니다.** 느슨하거나 손상되었거나 올바르게 작동하지 않는 가드는 수리 또는 교체해야 합니다.
- b) **모든 절단 작업에는 항상 톨날 가드, 리빙 나이프 및 반동 방지 멈춤쇠를 사용하십시오.** 톨날이 공작물의 두께를 완전히 절단하는 광동 절단 작업의 경우 가드 및 기타 안전 장치가 부상 위험을 줄이는 데 도움이 됩니다.
- c) **가드, 리빙 나이프 및 / 또는 반동 방지 장치를 제거해야 하는 작업 (예 : 랍팅 킷)을 완료한 후 즉시 보호시스템을 다시 연결하십시오.** 가드, 리빙 나이프 및 반동 방지 장치는 부상의 위험을 줄이는 데 도움이 됩니다.
- d) **스위치를 켜기 전에 톨날이 가드, 리빙 나이프 또는 공작물에 닿지 않도록 하십시오.** 이러한 품목이 톨날과 부주의하게 접촉하면 위험한 상태가 발생할 수 있습니다.
- e) **이 사용 설명서에 설명 된대로 리빙 나이프를 조정하십시오.** 간격, 위치 및 정렬이 잘못되면 리빙 나이프가 반동 가능성을 줄이는 데 효과적이지 않을 수 있습니다.
- f) **리빙 나이프와 킥백풀이 작동하려면 공작물에 맞물려 있어야합니다.** 리빙 나이프 및 킥백 풀은 리빙 나이프 및 킥백 풀과 맞물리기에 너무 짧은 공작물을 절단 할 때 효과적이지 않습니다. 이러한 조건 하에서는 리빙 나이프와 반동 방지 톨로 반동을 방지할 수 없습니다.
- g) **리빙 나이프에 적합한 톨날을 사용하십시오.** 리빙 나이프가 제대로 작동하려면 톨날 직경이 적절한 리빙 나이프와 일치해야 하며 톨날의 본체가 리빙 나이프의 두께보다 얇아야 하며 톨날의 절단 폭이 리빙 나이프 두께보다 넓어야 합니다.

2) 절단 절차 경고

- a)  **위험:** 손가락이나 손을 근처 나 톨날과 일치선으로 놓지 마십시오. 주의를 기울이지 않거나 미끄러지는 순간 손이 톨날을 향하여 심각한 부상을 입을 수 있습니다.
- b) **회전 방향에 대해서만 공작물을 톨날 또는 절단기에 공급하십시오.** 톨날이 테이블 위로 회전하는 것과 같은 방향으로 공작물을 이송하면 공작물과 손이 톨날로 당겨질 수 있습니다.
- c) **리핑할 때 절대로 마이터 게이지를 사용하여 공작물을 이송하고 마이터 게이지로 교차 절단 할 때 립 펜스를 길이 정지로 사용하지 마십시오.** 립 펜스와 마이터 게이지를 사용하여 공작물을 이송하면 톨날 바인딩 및 반동 가능성이 높아집니다.
- d) **리핑할 때는 항상 톨날과 톨날 사이에 공작물 이송력을 가하십시오.** 펜스와 톨날 사이의 거리가 150mm 미만인 경우 푸시 스틱을 사용하고이 거리가 50mm 미만인 경우 푸시 블록을 사용하십시오. "작업 지원"장치는 톨 블레이드와 안전한 거리를 유지합니다.

- e) 제조업체에서 제공하거나 지침에 따라 구성된 푸시 스틱만 사용하십시오. 이 푸시 스틱은 톱날에서 손의 충분한 거리를 제공합니다.
- f) 손상되거나 절단 된 푸시 스틱을 사용하지 마십시오. 푸시 스틱이 손상되면 손이 톱날에 미끄러질 수 있습니다.
- g) "프리핸드" 작업을 수행하지 마십시오. 항상 림 펜스 또는 마이터 게이지를 사용하여 공작물을 포지셔닝하고 이송하십시오. "프리핸드"이란 림 펜스 또는 마이터 게이저 대신 손으로 공작물을 지지하거나 이송하는 것을 의미합니다. 프리핸드톱질은 정렬 불량, 구속력 및 반동으로 이어집니다.
- h) 회전하는 톱날 주위 나 위에 닿지 않도록 하십시오. 공작물에 도달하면 움직이는 톱날에 우발적으로 접촉할 수 있습니다.
- i) 길고 넓은 공작물이 수평을 유지하도록 톱 테이블의 후면 및 옆 또는 측면에 보조 공작물 지지대를 제공하십시오. 길거나 넓은 공작물은 테이블 가장자리에서 피벗되는 경향이 있어 제어력 상실, 톱날 바인딩 및 반동을 일으킵니다.
- j) 일정한 속도로 공작물을 이송하십시오. 공작물을 구부리거나 비틀지 마십시오. 걸림이 발생하면 즉시 공구를 끄고 플러그를 뽑은 후 걸림을 해결하십시오. 공작물에 의해 톱날이 걸리면 기계 반동이 발생하거나 모터가 정지될 수 있습니다.
- k) 톱이 작동하는 동안 절단 된 재료 조각을 제거하지 마십시오. 펜스 사이 또는 톱날 가드와 톱날 사이에 물질이 끼어 손가락이 톱날에 들어갈 수 있습니다. 재료를 제거하기 전에 톱을 끄고 톱날이 멈출 때까지 기다리십시오.
- l) 두께가 2mm 미만인 공작물을 리핑할 때는 테이블 상단에 닿는 보조 펜스를 사용하십시오. 얇은 공작물이 림 펜스 아래에 빠지가 생겨 반동이 발생할 수 있습니다.

3) 반동 원인 및 관련 경고

킥백은 톱날과 관련하여 공작물에서 핀치, 걸린 톱날 또는 오정렬 된 절단 선으로 인해 또는 공작물 일부가 톱날과 림 펜스 또는 기타 고정 된 물체 사이에 결합될 때 공작물의 갑작스런 반응입니다. 기계 작동동안 가장 자주 공작물은 톱날의 뒤쪽 부분에 의해 테이블에서 들어 올려지고 작업자쪽으로 추진됩니다. 반동은 톱을 잘못 사용하거나 잘못된 조작 절차 또는 조건으로 인해 발생할 수 있으며 아래와 같은 올바른 예방 조치를 통해 막을 수 있습니다.

- a) 톱날과 일직선을 이루지 마십시오. 항상 톱날과 펜스와 같은쪽에 몸을 담으십시오. 킥백은 톱날과 일직선을 이루고있는 사람을 향해 고속으로 공작물을 이송할 수 있습니다.
- b) 작업 물을 당기거나 지지하기 위해 톱날의 위나 뒤에 잡하지 마십시오. 톱날과의 우발적 인 접촉이 발생하거나 기계 반동으로 인해 손가락이 톱날로 끌릴 수 있습니다.
- c) 회전하는 톱날에 대해 절단중인 가공물을 잡지 마십시오. 톱날에 대해 절단되는 공작물을 누르면 구속 조건과 반동이 발생합니다.
- d) 펜스를 톱날과 평행이 되도록 정렬하십시오. 잘못 정렬 된 펜스는 톱날에 대해 공작물을 끼우고 기계 반동을 일으킵니다.
- e) 페더 보드를 사용하여 테이블과 펜스에 대해 공작물을 이송하십시오. 페더 보드는 기계 반동 발생시 공작물을 제어하는데 도움이 됩니다.
- f) 톱날 끼임 및 기계 반동의 위험을 최소화하기 위해 대형 패널을 지지하십시오. 큰 패널은 자체 무게로 처지는 경향이

있습니다. 지지대는 테이블 상단에 있는 패널의 모든 부분 아래에 배치해야 합니다.

- g) 연귀, 매듭, 뒤틀림이 있거나 뾰족한 모서리가 없는 공작물을 마이터 게이저 또는 펜스를 따라 절단할 때는 특히 주의하십시오. 뒤틀리거나 매듭이 있거나 꼬인 공작물이 불안정하여 톱날과 커프의 정렬 불량, 바인딩 및 반동이 발생합니다.
- h) 수직 또는 수평으로 쌓아놓은 하나 이상의 공작물을 절단하지 마십시오. 톱날이 하나 이상의 부품을 픽업하여 기계 반동을 일으킬 수 있습니다.
- i) 공작물에 톱날이 있는 상태에서 톱을 다시 작동할 때는 톱니가 재료에 맞지 않도록 톱날을 커프의 중앙에 놓으십시오. 톱날이 바인딩되면 톱날이 다시 작동될 때 공작물이 들어올려 기계 반동이 발생할 수 있습니다.
- j) 톱날을 깨끗하고 날카로우며 충분한 세트로 유지하십시오. 톱니가 휘거나 부러진 톱날은 절대로 사용하지 마십시오. 날카롭고 올바르게 설정된 톱날은 바인딩, 실속 및 반동을 최소화합니다.

4) 테이블 톱 작동 절차 경고

- a) 테이블 인서트를 제거하거나 톱날을 변경하거나 리빙 나이프, 반동 방지 폴 또는 톱날 가드를 조정할 때와 기계를 방치할 때 테이블을 톱을 끄고 전원에서 분리하십시오. 예방 조치를 사고를 피할것입니다.
- b) 테이블 톱을 방치하지 마십시오. 전원을 끄고 완전히 멈출 때까지 공구를 두지 마십시오. 방치된 작동중인 톱은 통제되지 않은 위험이 있을 수 있습니다.
- c) 발판과 균형을 잘 유지할 수 있는 조명이 잘되고 평평한 장소에서 테이블 톱을 방치하십시오. 공작물의 크기를 쉽게 처리할 수 있는 충분한 공간이 있는 곳에 설치해야 합니다. 비좁고 어두운 곳, 고르지 않은 미끄러운 바닥은 사고를 유발합니다.
- d) 톱 테이블 밑 / 또는 집진 장치 아래에서 톱밥을 자주 청소하고제거하십시오. 축적 된 톱밥은 가연성이며 자체 발화될 수 있습니다.
- e) 테이블 톱을 고정해야 합니다. 체대로 고정되지 않은 테이블 톱은 움직이거나 뒤집어질 수 있습니다.
- f) 테이블 톱을 켜기 전에 테이블에서 도구, 나무 조각 등을 제거하십시오. 주의 산만 또는 잠재적 걸림이 위험할 수 있습니다.
- g) 올바른 크기와 모양 (다이아몬드 대 원형)의 아머 구멍이 있는 톱날을 항상 사용하십시오. 톱의 장착 하드웨어와 일치하지 않는 톱날은 중앙에서 벗어나 작동하여 제어력을 상실합니다.
- h) 플랜지, 톱날 와셔, 볼트 또는 너트와 같은 손상되었거나 잘못된 톱날 장착 수단을 사용하지 마십시오. 이 장착 수단은 안전한 작동과 최적의 성능을 위해 톱을 위해 특별히 설계되었습니다.
- i) 테이블 톱 위에 서서 발판 스톱을 사용하지 마십시오. 공구를 기울이거나 절단 공구에 실수로 닿으면 심각한 부상을 입을 수 있습니다.
- j) 톱날이 올바른 방향으로 회전하도록 설치되어 있는지 확인하십시오. 테이블 톱에는 그라인딩 휠, 와이어 브러시 또는 연마 휠을 사용하지 마십시오. 톱날을 잘못 설치하거나 권장하지 않는 액세서리를 사용하면 심각한 부상을 입을 수 있습니다.

테이블 톱에 대한 추가 안전 규칙



경고: 플라스틱, 수액 코팅 목재 및 기타 재료를 절단하면 날 끝과 톱날 본체에 녹은 재료가 쌓여 절단 중에 블레이드 과열 및 바인딩의 위험이 높아질 수 있습니다.

- 갑자기 미끄러져 손이 톱날로 들어갈 수 있는 어색한 위치는 피하십시오.
- 날이 회전하는 동안 톱 테이블의 날 근처에 있는 재료를 검색하지 마십시오.
- 공작물을 잡기 위해 양손으로 절삭 공구의 후면이나 주변에 손을 대지 마십시오.
- 심각한 부상을 방지하려면 팔, 손 및 손가락을 날로부터 멀리 떨어 뜨려 놓으십시오.
- 용도에 맞는 푸시 스틱을 사용하여 공작물을 톱으로 밀어 넣으십시오. 푸시 스틱은 목재 또는 플라스틱 스틱으로, 종종 수제로, 공작물의 크기나 모양으로 인해 블레이드의 152mm 내에 손을 놓을 때마다 사용해야 합니다.
- 훌륭한, 지그, 고정장치 또는 비늘판을 사용해서 작업물을 가이드하고 제어할 수 있습니다. 공구와 함께 사용하는 액세서리는 현지 판매점 또는 공인 서비스 센터에서 추가 비용을 부담하고 구입할 수 있습니다.
- 고정, 지그, 고정구 또는 페더 보드를 사용하여 공작물을 이송하고 제어하십시오. 공구와 함께 사용하기 위한 액세서리는 지역 판매점이나 공인 서비스 센터에서 추가 비용을 내고 구입할 수 있습니다.
- 리핑, 크로스 커팅 또는 기타 다른 작업을 프리 핸드로 수행하지 마십시오.
- 날이 회전하는 동안 톱날 주위에 닿지 마십시오.
- 안정. 사용하기 전에 테이블 톱이 안전한 표면에 단단히 장착되어 움직이지 않도록 하십시오.
- 테이블 톱은 평평하고 안정된 표면에만 설치해야 합니다. 작업 구역에는 장애물과 넘어 질 위험이 없어야 합니다. 톱에 재료 나 도구를 기대지 마십시오.
- 금속, 시멘트 보드 또는 벽돌을 절단하지 마십시오. 특정 인공 재료에는 테이블 톱 절단에 대한 특별 지침이 있습니다. 제조업체의 권장 사항을 항상 따르십시오. 톱이 손상되어 부상을 입을 수 있습니다.
- 다이아몬드 조각 블레이드를 설치하지 말고 테이블 톱을 습식 톱으로 사용하십시오.
- 올바른 소프트웨어는 항상 제자리에 고정되어 공작물이 던져져 부상을 입을 수 있는 위험을 줄이십시오.
- 톱날을 취급 할 때는 장갑을 착용하십시오.
- 의도한 작업에 맞는 톱날을 사용하십시오. 날은 톱의 앞쪽으로 회전해야 합니다. 항상 블레이드 아머 너트를 단단히 조이십시오. 사용하기 전에 날에 갈라진 곳이나 빠진 이가 없는지 검사하십시오. 손상되었거나 둔한 블레이드를 사용하지 마십시오.
- 기계를 끄지 않은 상태에서 공구를 전원에서 분리하거나 작동이 정지된 톱날을 풀지 마십시오. 공작물 또는 절단 부품이 블레이드 가드 어셈블리 내부에 갇히면 톱 가드를 끄고 블레이드 가드 어셈블리를 들어 올리고 조각을 제거하기 전에 블레이드가 멈출 때까지 기다리십시오.
- 날이 날아가거나 부상을 입을 위험을 줄이기 위해 날에 대해 공작물과 함께 기계를 작동하지 마십시오.
- 신체의 어떤 부분도 칼날과 나란히 있지 마십시오. 부상을 입을 수 있습니다. 블레이드의 양쪽에 서십시오.

- 기계가 작동 중일 때는 테이블 / 작업 영역에서 레이아웃, 조립 또는 설정 작업을 수행하지 마십시오. 갑작스런 미끄러짐으로 인해 손이 날안으로 들어갈 수 있습니다. 충상을 입을 수 있습니다.
- 펜스 재배치 또는 제거, 경사 잠금 조정 또는 날 높이 조정과 같은 톱이 작동하는 동안 절대로 조정 작업을 수행하지 마십시오.
- 기계를 떠나기 전에 테이블 / 작업 영역을 청소하십시오. 무단 사용을 방지하기 위해 스위치를 "OFF" 위치에 고정하고 공구를 전원에서 분리하십시오.
- 절단하기 전에 항상 펜스와 베벨 조정을 잠그십시오.
- 톱날 팁 과열을 피하십시오. 펜스와 재료를 움직이고 평행을 유지하십시오. 블레이드에 무리한 힘을 가하지 마십시오.
- 플라스틱 재료를 절단하는 경우 플라스틱이 녹지 않도록 하십시오.
- 긴 보드(또는 다른 공작물)를 지지하지 않은 상태로 두지 마십시오. 보드의 스프링으로 인해 테이블이 움직이지 않아 제어력이 상실되고 부상을 입을 수 있습니다. 크기와 수행 할 작업 유형에 따라 공작물을 적절히 지지하십시오. 공작물을 펜스에 단단히 고정하고 테이블 표면에 대고 아래로 내립니다.
- 이 톱이 생소한 소음을 내거나 진동이 심하게 울리면 즉시 작동을 멈추고 문제를 찾아 수정하기 전에 기계를 끄고 전원에서 공구를 분리하십시오. 문제가 발견되지 않으면 DEWALT 공장 서비스 센터, DEWALT 공인 서비스 센터 또는 기타 유자격 서비스 담당자에게 문의하십시오.
- 지침에 따라 완전히 조립 및 설치될 때까지 기계를 작동하지 마십시오. 기계를 잘못 조립하면 심각한 부상을 입을 수 있습니다.
- 제어력 상실 또는 기계 반동을 유발할 수 있는 느슨한 재료 조각을 지우려고 시도하지 마십시오. 모든 재료를 안전하게 지지하십시오.

톱날



- 경고:** 기계 반동의 위험을 최소화하고 적절한 절단을 보장하기 위해 스플리터 및 리빙 나이프는 사용되는 블레이드에 적합한 두께여야 합니다. 다른 날을 사용하는 경우 날 또는 날 포장에 표시된 날 본체(플레이트) 두께와 날 커브(절단) 폭을 확인하십시오. 스플리터 및 리빙 나이프 두께는 본체 두께보다 커야 하고 폭보다 작아야 합니다.
- 기술 데이터에 명시된 치수를 준수하지 않는 톱날을 사용하지 마십시오. 블레이드를 스플린드에 맞추기 위해 톱날이서를 사용하지 마십시오. 목재 및 이와 유사한 재료로 제작 된 경우 EN847-1을 준수하면서 이 설명서에 지정된 블레이드만 사용하십시오.
 - 특별히 설계된 노이즈 감소 블레이드를 적용하십시오.
 - 높은 강철 (H5) 톱날을 사용하지 마십시오.
 - 갈라지거나 손상된 톱날을 사용하지 마십시오.
 - 선택한 톱날이 재료를 절단하기에 적합한 지 확인하십시오.
 - 톱날과 거친 재료를 다룰 때는 항상 장갑을 착용하십시오. 톱날은 가능한 한 홀더에 놓아야 합니다.

잔류 위험

다음 위험은 톱 사용에 내재되어 있습니다:

- 회전 부품을 만져서 부상이 발생하는 위험

한국어

관련된 안전 규정을 준수하고 안전 장치를 사용한다고 해도 특정한 위험은 피할 수 없습니다. 이러한 위험은 다음과 같습니다.

- 청각 장애.
- 회전 톱날의 노출 된 부분으로 인한 사고 위험.
- 보호되지 않은 손으로 톱날을 교체할 때 부상 위험이 있습니다.
- 보호대를 열 때 손가락이 낄 위험이 있습니다.
- 목재, 특히 참나무, 너도밤 나무 및 MDF를 톱질할 때 발생하는 분진 흡입으로 인한 건강 위험.

다음 요소는 소음 생성에 영향을 미칩니다:

- 절단 될 재료
- 톱날의 유형
- 이송력
- 기계 유지 보수

분진 노출에 영향을 주는 요소는 다음과 같습니다:

- 마모 된 톱날
- 집진 속도가 20m / 초 미만인 집진기
- 정확하게 이송되지 않은 공작물

전기 안전

전기 모터는 한 가지 전압에만 맞추어 설계되었습니다. 전원이 전동기 라벨에 기재된 전압과 일치하는지 항상 확인하십시오.



DeWALT 공구는 IEC60745에 따라 이중 절연되어 있습니다. 따라서 접지선이 필요하지 않습니다.



경고: 220-240V 기기는 1차 권선과 2차측 권선 사이의 접지 스크린이 있는 안전 장치 차단 변압기를 통해 작동해야 합니다.

전원 코드가 손상된 경우 DeWALT 또는 공인 서비스 기관 만 교체해야 합니다.

참고: 이 장치는 사용자 공급 장치의 인터페이스 지점 (전원 서비스 박스)에서 최대 허용 시스템 임피던스 ($Z_{\text{최대}} 0.28 \Omega$)인 전원 공급 장치 시스템에 연결하기 위한 것입니다. 사용자는 이 장치가 위 요구 사항을 충족하는 전원 시스템에만 연결되어 있는지 확인해야 합니다. 필요한 경우 사용자는 공용 전원 공급 장치 회사에 인터페이스 지점에서 시스템 임피던스를 요청할 수 있습니다.

연장 케이블 이용

연장 케이블이 필요한 경우 이 공구의 전원 입력에 적합한 승인 된 3코어 연장 케이블을 사용하십시오 (**기술 데이터** 참조). 최소 도체 크기는 1.5 mm²입니다. 최대 길이는 30m입니다.

케이블 릴을 사용할 때는 항상 케이블을 완전히 푸십시오.

포장 내용물

포장에는 다음 내용물이 들어 있습니다.

- 1 부분 조립 된 기계
- 1 림 펜스
- 1 미터 게이저
- 1 톱날
- 1 상단 블레이드 가드 어셈블리
- 1 스포트 플레이트
- 2 블레이드 렌치
- 1 스플리터 렌치
- 1 푸시 스틱
- 1 집진 어댑터
- 2 나사

1 스플리터 플레이트

1 사용 설명서

- 운반 중에 발생할 수 있는 공구, 부품 또는 액세서리의 손상 여부를 확인하십시오.
- 작동 전에 시간을 내어 본 사용 설명서를 읽고 숙지하십시오.

공구에 표시된 마크

공구에는 다음과 같은 그림이 있습니다.



사용 전에 사용 설명서의 내용을 숙지하십시오.



귀 보호 장구를 착용하십시오.



보안경을 착용하십시오.



호흡기 보호구를 착용하십시오.



절단 영역과 날에서 손을 멀리 두십시오.



스플리터 두께



톱날 본체 두께 및 컷프 폭



톱날 직경



메인 스위치의 덮개를 잠그거나 잠금 해제하십시오.



블레이드를 교체하기 전에 톱 플러그를 빼십시오



톱날의 습기와 날카로운 모서리로부터 전원

날짜 코드 위치(그림 A)

제조 연도를 포함하는 날짜 코드 **51**는 하우징에 인쇄되어 있습니다.

예:

2019 XX XX

제조년도

설명 (그림 A, B)



경고: 전동 공구 또는 전동 공구의 어떤 부품도 절대 개조하지 마십시오. 제품이 파손되거나 신체 부상을 당할 수도 있습니다.

- 1 테이بل
- 2 블레이드
- 3 림 스케일 표시기

- 4 미세 조정 노브
- 5 레일 잠금 레버
- 6 블레이드 높이 조절 휠
- 7 베벨 잠금 레버
- 8 온 / 오프 스위치
- 9 장착 구멍
- 10 연귀 게이지
- 11 블레이드 가드 어셈블리
- 13 스플리터
- 14 분진 배출구
- 15 가드 분진 배출 포트
- 16 스포트 플레이트
- 17 립 펜스
- 18 립 펜스 래치
- 19 작업 지시대 / 해로우 립 펜스 (저장 위치에 표시)
- 20 육각 렌치
- 21 푸시 스틱 (저장 위치에 표시)
- 21A 측면 손잡이
- 53 육각 렌치
- 54 나사
- 55 마운트 블록
- 56 스플리터 플레이트

용도

DWE7492 테이블 톱은 목재, 목재 복합 재료 및 플라스틱과 같은 다양한 재료로 전문 리핑, 교차 절단, 연삭 및 베벨링을 위해 설계되었습니다.

절대로 습한 환경이나 가연성 액체 또는 가스가 있는 곳에서 사용하지 마십시오.

절대로 금속, 시멘트 보드 또는 벽돌을 절단하는 데 사용하지 마십시오.

절대로 이 톱에 웨이빙 커터 헤드를 사용하지 마십시오.

절대로 테이퍼 지그 액세서리없이 테이퍼 컷을 수행하지 마십시오.

절대로 플랜지 또는 코브 절단에 톱을 사용하지 마십시오.

이 테이블 톱은 전문적인 전력 공구입니다.

어린이가 이 공구를 만지지 않도록 하십시오. 경험이 없는 작업자가 이 공구를 사용할 때는 감독자의 지도가 필요합니다.

- **어린이 및 노약자.** 본 제품은 어린이나 노약자가 사용하도록 설계되지 않았습니다. 이러한 사람이 사용할 때는 감독이 필요합니다.
- 본 제품은 안전 책임을 맡고 있는 사람이 감독을 하고 있지 않는 한 경험, 지식 또는 기술이 부족하고 신체적, 감각적 또는 정신적 능력이 미약한 사람(어린이 포함)이 사용하도록 고안된 것이 아닙니다. 이 제품과 함께 어린이만 혼자 두어서는 안됩니다.

어셈블리



경고: 심각한 신체 부상의 위험을 줄이려면 부착물 또는 액세서리를 조정하거나 제거 / 설치하기 전에 공구를 끄고 전원에서 공구를 분리하십시오. 공구가 갑자기 작동하여 부상을 당할 수 있습니다.

포장 해제

- 포장재에서 톱을 조심스럽게 분리하십시오.
- 립 펜스, 블레이드 가드 어셈블리, 연귀 게이지, 블레이드 렌치 및 먼지 추출 감속기 포트를 제외하고 기계가 완전히 조립되었습니다.
- 아래 설명에 따라 지침에 따라 조립을 완료하십시오.



경고: 사용하지 않을 때는 항상 푸시 스틱을 제자리에 보관하십시오.

톱날 장착 (그림 A, C)



경고: 부상의 위험을 줄이려면 액세서리를 설치 및 제거하기 전에, 설정을 조정 또는 변경하기 전 또는 수리 할 때 장치의 전원을 끄고 전원에서 분리하십시오. 공구가 갑자기 작동하여 부상을 당할 수 있습니다.



경고: 톱날을 장착할 때 보호 장갑을 착용하십시오. 톱날의 톱니가 매우 날카로우 위험할 수 있습니다.



경고: 톱날은 반드시 이 섹션에 설명 된대로 교체해야 합니다. 기술 데이터에 지정된 톱날 만 사용하십시오. DT4226을 제안합니다. 절대로 다른 톱날에 맞지 마십시오.



경고: 작업하기 전에 톱날을 만지지 마십시오. 작업하는 동안 톱날이 매우 뜨겁습니다.

참고: 이 공구에는 출하전에 톱날이 설치되어 있습니다.

1. 날 높이 조절 휠 **6** 을 시계 방향으로 돌려 톱날 아버를 최대 높이로 올립니다.
2. 스포트 플레이트 **16** 를 제거하십시오. 스포트 플레이트 장착 지침 사항을 참조하십시오.
3. 렌치 **20** 를 사용하여 시계 반대 방향으로 돌려서 아버 너트 **22** 와 플랜지 **24** 를 풀고 제거하십시오.
4. 톱날을 주축 **23** 에 놓고 날 **2** 의 톱니가 테이블 앞쪽을 향하도록 하십시오. 와셔와 아버 너트를 스프인들에 조립하고 아버 너트 **22** 를 손으로 최대한 조여 톱날이 내부 와셔에 대고 외부 플랜지 **24** 가 블레이드에 닿도록 하십시오. 플랜지의 가장 큰 직경이 블레이드에 닿아야 합니다. 스프인들과 와셔에 먼지와 먼지가 없도록 하십시오.
5. 아버 너트를 조일 때 스프인들이 회전하지 않도록 하려면 블레이드 렌치 **20** 의 끝을 사용하여 스프인들을 고정하십시오.
6. 아버 렌치를 사용하여 아버 너트 **22** 를 시계 방향으로 돌려 조입니다.
7. 스포트 플레이트를 교체하십시오.



경고: 블레이드를 교체할 때에는 항상 립 펜스 포인터와 블레이드 가드 어셈블리를 확인하십시오.

블레이드 가드 어셈블리 장착 (그림 A, D)



경고: 모든 관통 절단 작업에는 가드 어셈블리를 사용하십시오.

1. 톱날 **2** 을 최대 절단 길이로 설정하십시오. 45°로 설정하고 잠급니다.
2. 스플리터 **13** 를 장착 블록 **55** 에 놓고 스플리터 플레이트 **56** 를 추가하십시오.
3. 두 개의 나사 **54** 를 조여 잠급니다. 스플리터 체결 시 권장하는 토크값은 12Nm (+/-1.0 Nm) 입니다.
4. 블레이드 가드 어셈블리 **11** 를 스플리터 **13** 에 장착하고 버터 플라이 너트로 조정하십시오.



경고: 테이블 톱을 전원에 연결하거나 톱을 작동하기 전에 항상 톱날과의 정렬 및 간격이 적절한 지 블레이드 가드 어셈블리를 검사하십시오. 각이 바뀔 때마다 정렬 상태를 확인하십시오.



경고: 심각한 신체 부상의 위험을 줄이려면 날 어셈블리가 제자리에 단단히 고정되어 있지 않은 경우 톱을 작동하지 마십시오.

올바르게 정렬되면 스피리터 **13** 가 테이블 상단과 블레이드 상단에 있는 블레이드와 일치선이 됩니다. 일자형 모서리를 사용하여 날 **2** 이 스피리터 **13** 와 정렬되어 있는지 확인하십시오. 전원이 차단 된 상태에서 극한의 이동을 통해 블레이드 틸트 및 높이 조정을 작동하고 블레이드 가드 어셈블리가 모든 작업에서 블레이드를 제거하도록 합니다. 가드 어셈블리 / 스피리터를 블레이드에 정렬을 참조하십시오.



경고: 안전한 작동을 위해서는 블레이드 가드 어셈블리를 올바르게 장착하고 정렬해야 합니다!

스�피리터 / 블레이드 가드 어셈블리를 제거하는 방법 (그림 D)

1. 버터 플라이 너트를 풀고 스피리터 **13** 에서 블레이드 가드 어셈블리 **11** 를 제거하십시오.
2. 스피리터 나사 **54** 를 분리하십시오.
3. 스피리터 플레이트 **56** 및 스피리터 **13** 를 제거하십시오.

스로트 플레이트 장착 (그림 E)

1. 그림 E와 같이 스 로트 플레이트 **16** 를 맞추고 스로트 플레이트의 뒷면에 있는 탭을 테이블 개구부의 뒤에 있는 구멍에 삽입하십시오.
2. 잠금 나사 **40** 를 시계 방향으로 90° 돌려 테이블 인서트를 제자리에 고정시킵니다.
3. 스로트 플레이트에는 스 로트 플레이트를 올리거나 내리는 4 개의 조정 나사 **25** 가 포함되어 있습니다. 적절하게 조정되면, 스로트 플레이트의 전면이 테이블 상단 표면과 동일하거나 약간 아래로 내려와 제자리에 고정되어야 합니다. 스로트 플레이트의 뒷면은 평평하거나 테이블 상단보다 약간 위에 있어야 합니다.



경고: 스로트 플레이트없이 기계를 사용하지 마십시오. 스로트 플레이트가 마모 또는 손상되면 즉시 교체하십시오.

스로트 플레이트를 제거하는 방법

1. 잠금 나사 **40** 를 시계 반대 방향으로 90° 돌려 스로트 플레이트 **16** 를 제거하십시오.
2. 핑거 홀 **26** 을 사용하여 스로트 플레이트를 앞뒤로 당겨 톱 내부를 노출시키십시오. 스로트 플레이트없이 톱을 작동하지 마십시오. 다도 블레이드를 사용하는 경우 적절한 다도 스로트 플레이트 (별매품)를 사용하십시오.

립 펜스 장착 (그림 F)

립 펜스는 오른쪽의 두 위치(0mm–62cm 리핑의 경우 위치 1, 20.3cm–82.5cm 리핑의 경우 위치 2)와 테이블 톱 왼쪽의 한 위치에 설치할 수 있습니다.

1. 립 펜스 래치 **18** 를 잠금 해제하십시오.
2. 펜스를 비스듬히 잡고 펜스 레일의 로케이터 핀 (전면 및 후면) **29** 을 펜스 헤드 슬롯 **30** 에 맞춥니다.
3. 헤드 슬롯을 핀에 밀어 넣고 레일에 고정될때까지 펜스를 아래로 돌립니다.

4. 전면 및 후면 래치 **18** 를 레일에 단아서 펜스를 제자리에 잠급니다.

벤치 장착 (그림 A)



주의: 부상의 위험을 줄이려면 사용 전에 테이블 톱을 안정된 표면에 단단히 고정하십시오.



주의: 사용하는 동안 큰 재료 조각이 넘어지지 않도록 표면이 충분히 안정되어 있는지 확인하십시오.

테이블 톱을 단단히 장착해야 합니다. 설치를 위해 공구베이스에 4 개의 구멍 **9** 이 제공됩니다. 이 구멍을 사용하여 테이블 톱을 작업대 또는 기타 고정식 강성 프레임에 고정하는 것이 좋습니다.

1. 톱을 12.7mm 합판의 정사각형 조각 위에 놓으십시오.
2. 톱 프레임에서 후면 장착 구멍 2 개 (220mm 간격)의 위치를 연필로 표시하십시오. 그런 다음 230mm 간격으로 떨어진 두 개의 전면 구멍에 대해 498.5mm 앞으로 측정하십시오.
3. 톱을 제거하고 방금 표시 한 곳에 9mm 구멍을 뚫으십시오.
4. 톱을 합판에서 뚫은 구멍 4 개 위에 놓고 바닥에서 8mm 나사 4 개를 끼웁니다. 상단에 와서와 8mm 너트를 설치하십시오. 안전하게 조이십시오.
5. 나사 머리가 톱을 고정하는 표면에 손상을 주지 않도록 합판 바닥에 두 개의 고철 조각을 부착하십시오. 이 스트립은 스트립의 바닥을 통해 튀어 나오지 않는 한 상단에서 설치한 나무 나사로 부착 할 수 있습니다.
6. °C클램프를 사용하여 톱을 사용할 때마다 합판베이스를 작업대에 고정하십시오.

조정

블레이드 조정 (그림 G)

블레이드 정렬 (마이터 슬롯에 정렬)



경고: 절단 위험. 날이 0도 및 45도에서 점검하여 날이 뒤편에 닿지 않도록 하여 부상을 입을 수 있습니다.

블레이드가 테이블 상단의 마이 터 슬롯과 정렬되지 않은 것처럼 보이면 정렬을 위해 조정해야 합니다. 블레이드와 연구 슬롯을 다시 정렬하려면 다음 절차를 따르십시오.



경고: 부상의 위험을 줄이려면 액세서리를 설치 및 제거하기 전에, 설정을 조정 또는 변경하기 전 또는 수리할 때 장치의 전원을 끄고 전원에서 분리하십시오. 공구가 갑자기 작동하여 부상을 당할 수 있습니다.

1. 5mm 육각 렌치를 사용하여 테이블 아래쪽에 있는 후면 피벗 브래킷 패스너 **32** 를 느슨하게 하여 브래킷이 좌우로 움직일 수 있도록 하십시오.
2. 날이 연구 게이지 슬롯과 평행이 될때까지 브래킷을 조정하십시오.
3. 후면 피벗 브래킷 패스너를 12.5–13.6 Nm (110–120 in-lbs)으로 조입니다.

블레이드 높이 조정 (그림 A)

날 높이 조절 휠 **6** 을 돌려 날을 올리거나 내릴 수 있습니다. 톱질할 때 날의 상단 3 개 톱나가 공작물의 뒷면을 뚫고 있는지 확인하십시오. 이를 통해 주어진 시간에 최대 수의 톱날 재료를 제거하여 최적의 성능을 제공합니다.

가드 어셈블리 / 스플리터를 블레이드에 맞추기 (그림 A, H)

1. 소프트 플레이트를 제거하십시오. 소프트 플레이트를 **제거하십시오.**
2. 날을 최대 절단 깊이와 0° 경사각으로 올립니다.
3. 가드 어셈블리 잠금 샤프트 **38** 에 인접한 세 개의 작은 고정 나사 **39** 를 찾으십시오. 이 나사는 가드 어셈블리의 위치를 조정하는 데 사용됩니다.
4. 두 개의 날 끝이 테이블에 일직선이 되도록 합니다. 스플리터 **13** 가 직선 가장자리에 닿아서는 안됩니다. 필요한 경우 두 개의 더 큰 잠금 나사 **41** 를 푸십시오.
5. 작은 고정 나사 **39** 를 조정하여 4 단계에서 언급 한 위치에 따라 스플리터를 이동하십시오. 블레이드의 반대쪽에 직선을 놓고 필요에 따라 조정을 반복합니다.
6. 큰 잠금 나사 2 개 **41** 를 가볍게 조입니다.
7. 스플리터가 수직이고 날과 일직선이 되는지 확인하기 위해 스플리터에 대해 정사각형 평면을 놓습니다.
8. 필요한 경우 고정 나사를 사용하여 스플리터를 수직으로 정사각형으로 만듭니다.
9. 스플리터의 위치를 확인하려면 4 단계와 5 단계를 반복하십시오.
10. 두 개의 더 큰 잠금 나사 **41** 를 완전히 조이십시오.
11. 소프트 플레이트 **16** 를 다시 설치하고 잠그십시오.

병렬 조정 (그림 A, I, J, O)

! **경고:** 날과 평행이 아닌 잘못된 정렬 된 펜스는 반동의 위험을 증가시킵니다!

최적의 성능을 위해서는 블레이드가 립 펜스와 평행이 이루어야 합니다. 이 조정은 출하전에 이미 이루어졌습니다. 다시 조정하려면:

위치 1 펜스 정렬

1. 펜스를 위치 1에 설치하고 레일 잠금 레버 **5** 를 잠금 해제하십시오. 전면 및 후면 레일에서 펜스를 지지하는 로케이터 핀 **29** 을 모두 찾으십시오.
2. 후면 로케이터 핀 나사를 풀고 펜스면이 블레이드와 평행이 될 때까지 홈에서 펜스의 정렬을 조정하십시오. 펜스 페이스에서 블레이드의 앞뒤로 측정하여 정렬을 확인하십시오.
3. 로케이터 나사를 조이고 블레이드 왼쪽에서 반복합니다.
4. 립 스케일 포인터 조정 (그림 J)을 점검하십시오.

위치 2 펜스 정렬

1. 위치 2 펜스 로케이터 핀 **29** 을 정렬하려면 위치 1 핀이 정렬되었는지 확인하십시오 **위치 1 펜스 정렬을 참조하십시오.**
2. 위치 2 핀을 풀 다음 블레이드 렌치 구멍을 위치 조정을 위한 가이드로 사용하여 핀을 정렬하십시오 (그림 I).
3. 로케이터 핀 (전면 및 후면)을 조입니다.

립 스케일 조정 (그림 A, J)

1. 레일 잠금 레버 **5** 를 잠금 해제하십시오.
2. 날을 0° 경사로 설정하고 펜스가 블레이드에 닿을 때까지 펜스를 움직입니다.
3. 레일 잠금 장치 레버를 잠그십시오.
4. 립 스케일 표시기 나사 **31** 를 풀고 립 스케일 표시기를 영점 **0** 으로 설정하십시오. 립 스케일 표시기 나사를 다시 조입니다. 펜스가 블레이드의 오른쪽에 장착되어 있고 82.5cm 립 위치가

아닌 1 (0에서 62cm 리핑) 위치에 있는 경우에만 노란색 립 스케일 (상단)이 올바르게 판독됩니다. 흰색 스케일 (하단)은 펜스가 블레이드의 오른쪽과 2 (20.3cm ~ 82.5 cm 리핑) 위치에 장착 된 경우에만 올바르게 판독됩니다.

펜스가 블레이드의 오른쪽에 장착 된 경우에만 립 스케일을 정확하게 판독됩니다.

레일 락 조정 (그림 A, K)

레일 잠금 장치는 공장 출하시 설정되어 있습니다. 다시 조정해야 하는 경우 다음과 같이 진행하십시오.

1. 레일 잠금 레버 **5** 를 잠그십시오.
2. 톱의 밑면에서 잼 너트 **33** 를 푸십시오.
3. 잠금 시스템의 스프링이 압축될 때까지 육각 로드 **34** 를 조여 레일 잠금 레버에 원하는 장력을 가하십시오. 육각 너트에 잼 너트를 다시 조입니다.
4. 톱을 뒤집어 놓고 잠금 레버를 걸었을 때 펜스가 움직이지 않는지 확인하십시오. 펜스가 여전히 느슨하면 스프링을 더 조이십시오.

베벨 정지 및 포인터 조정 (그림 L)

1. 날 높이 조절 휠 **6** 이 멈출 때까지 시계 방향으로 돌려 날을 완전히 올립니다.
2. 베벨 잠금 레버 **7** 를 위와 오른쪽으로 밀어 잠금을 해제하십시오. 베벨 스톱 나사 **36** 를 푸십시오.
3. 테이블 상단과 톱나 사이의 날에 대해 사각형을 평평하게 놓습니다. 베벨 잠금 레버가 잠금 해제 상태인지 또는 위쪽 위치에 있는지 확인하십시오.
4. 베벨 잠금 레버를 사용하여 날이 정사각형에 닿을 때까지 베벨 각도를 조정하십시오.
5. 베벨 잠금 레버를 아래로 눌러 조이십시오.
6. 베벨 스톱 캠 **35** 이 베어링 블록에 단단히 닿을 때까지 돌립니다. 베벨 스톱 나사 **36** 를 조이십시오.
7. 경사각 눈금을 확인하십시오. 포인터가 0°를 읽지 않으면 포인터 나사 **37** 를 풀고 포인터가 올바르게 읽히도록 이동하십시오. 포인터 나사를 다시 조입니다.
8. 45°에서 반복하되 포인터를 조정하지 마십시오.

연귀 게이지 조정 (그림 A)

연귀 게이지 **10** 풀림 노브를 조정하려면 원하는 각도로 설정하고 노브를 조입니다.

몸과 손 위치

테이블 톱을 작동할 때 신체와 손을 올바르게 배치하면 절단이 더 쉽고 정확하게 안전 해집니다..



- 경고:**
- 절단 영역 근처에 손을 놓지 마십시오.
 - 손을 칼날에서 150mm 이상 떨어지지 않도록하십시오.
 - 손을 교차시키지 마십시오.
 - 두 발을 바닥에 단단히 고정시키고 적절한 균형을 유지하십시오.

작동을 하기 전에



- 경고:**
- 적절한 톱날을 설치하십시오. 공구의 최대 회전 속도는 톱날의 속도를 초과해서는 안됩니다.

- 너무 작은 조각을 자르려고 하지 마십시오.
- 날을 자유롭게 자르십시오. 무리하지 마십시오.
- 절단하기 전에 모터가 최고 속도에 도달하도록 하십시오.

조작

사용 지침



경고: 항상 안전 지시 사항과 해당 규정을 준수하십시오.



경고: 심각한 신체 부상의 위험을 줄이려면 부착물 또는 액세서리를 조정하거나 제거 / 설치하기 전에 공구를 끄고 전원에서 공구를 분리하십시오. 공구가 갑자기 작동하여 부상을 당할 수 있습니다.

영국 사용자의 관심은 “1974년 목공 기계 규정” 및 그 이후의 개정 사항에 따라 결정됩니다.

테이블 높이 및 안정성 측면에서 인체 공학적 조건을 충족하도록 장비를 배치하십시오. 기계 작업장은 작업자가 기계 주위를 자유롭게 둘러보고 충분한 여유 공간을 확보하여 제한없이 공작물을 처리할 수 있도록 선택해야 합니다.

진동 증가의 영향을 줄이려면 환경이 너무 차갑지 않은지, 기계 및 액세서리가 잘 유지되고 공작물 크기가 기계에 적합한 지 확인하십시오.



경고:

- 테이블 높이 및 안정성 측면에서 기계가 인체 공학적 조건을 충족하도록 배치하십시오. 기계 작업장은 작업자가 기계 주위를 제한없이 자유롭게 다닐 수 있는 충분한 여유 공간을 확보할 수 있도록 선택해야 합니다.
- 적절한 톱날을 설치하십시오. 지나치게 마모 된 날을 사용하지 마십시오. 공구의 최대 회전 속도는 톱날의 속도를 초과해서는 안됩니다.
- 너무 작은 조각을 자르려고 하지 마십시오.
- 날을 자유롭게 자르십시오. 무리하지 마십시오.
- 절단하기 전에 모터가 최고 속도에 도달하도록 하십시오.
- 모든 잠금 손잡이와 클램프 핸들이 단단히 조여 졌는지 확인하십시오.
- 톱이 전원에 연결되어 있을 때 날 영역에 손을 넣지 마십시오.
- 프리 핸드 컷에는 절대 톱을 사용하지 마십시오!
- 뒤틀리거나 구부러지거나 부풀린 공작물을 취급하지 마십시오. 림 펜스 또는 연귀 펜스에 가로지르려면 일자형의 부드러운 면이 하나 이상 있어야 합니다.
- 반동을 방지하기 위해 항상 긴 공작물을 지지하십시오.
- 블레이드가 작동하는 동안 블레이드 영역에서 컷오프를 제거하지 마십시오.

켜고 끄기 (그림 M)

톱 벤치의 커기 / 끄기 스위치 8 는 여러가지 장점을 제공합니다.

- 무 전압 해제 가능: 어떤 이유로든 전원을 차단해야하는 경우 스위치를 고의적으로 재 활성화해야 합니다.
- 기기를 켜려면 녹색 시작 버튼을 누릅니다.
- 기기를 끄려면 빨간색 정지 버튼을 누릅니다.

잠금 기능 설명

스위치 위의 덮개가 접혀 자물쇠를 삽입하여 톱을 잠급니다. 최대 직경은 6.35 mm이고 최소 간격은 76.2 mm인 자물쇠가 권장됩니다.

림 펜스 작동 (그림 N-P)

레일 잠금 레버

레일 잠금 레버 5 는 절단 중 움직임을 방지하기 위해 펜스를 제자리에 고정시킵니다. 레일 레버를 잠그려면 톱 레버를 아래로 밀니다. 잠금을 해제하려면 톱을 앞쪽으로 당기십시오.

참고: 추출할 때는 항상 레일 잠금 레버를 잠그십시오.

작업 지원 연장 / 좁은 리핑 펜스

테이블 톱에는 톱 테이블 너머로 확장되는 작업을 지원하기 위해 작업 지지대 확장 장치가 장착되어 있습니다.

작업지지 위치에서 좁은 리핑 펜스를 사용하려면 그림 O에서와 같이 보관 위치에서 펜스를 회전시키고 핀을 양쪽 끝에 있는 하단 슬롯 세트 27 로 밀어 넣으십시오.

좁은 리핑 펜스를 좁은 리핑 위치에서 사용하려면 핀을 펜스 양쪽 끝의 상단 슬롯 세트 28 에 끼웁니다. 이 기능은 블레이드에 51 mm의 여유 공간을 제공합니다. 그림 P를 참조하십시오.

참고: 테이블 위로 작업 할 때마다 작업 지지대 연장 부를 접거나 좁은 림 펜스 위치로 조정하십시오.

참고: 좁은 리핑 펜스를 사용할 때는 표시된 림 스케일 판독 값에서 51mm를 빼십시오.

미세 조정 노브

미세 조정 노브 4 는 펜스를 설정할 때 작은 조정을 허용합니다. 조정하기 전에 레일 잠금 레버가 위쪽 또는 잠금 해제 위치에 있는지 확인하십시오.

림 스케일 포인터

사용자가 두꺼운 컷오프 얇은 컷오프 블레이드 사이를 전환하는 경우, 림 펜스의 적절한 성능을 위해 림 스케일 포인터를 조정해야 합니다. 펜스가 블레이드 오른쪽의 1 또는 2 위치에 설치된 경우 림 스케일 포인터 만 올바르게 판독합니다. 좁은 리핑을 위해 좁은 리핑 펜스를 사용하는 경우 (작업지지 위치가 아님) 표시된 림 스케일 판독 값에서 51 mm를 빼십시오. 조정에서 림 스케일 조정을 참조하십시오.

기본 톱 절단

절단 작업



경고: 모든 절단 작업에는 블레이드 가드 어셈블리를 사용하십시오.

리핑 (그림 A, B, Q, R)



경고: 날카로운 모서리.

1. 날을 0°로 설정하십시오.
2. 림 펜스를 설치하고 림 펜스 래치 18 (그림 A)를 잠그십시오.
3. 공작물 상단보다 약 3mm 더 높을 때까지 날을 올립니다. 상단 날 보호대의 높이를 필요에 따라 조정하십시오.
4. 펜스의 위치를 조정하고 레일 잠금 장치를 잠그십시오. 레버 5 는 림 펜스 작동을 참조하십시오.
5. 작업대를 테이블과 펜스에서 평평하게 잡으십시오. 공작물을 블레이드에서 멀리 떨어 뜨려 놓으십시오.
6. 양손을 날의 경로(그림 Q)에 가까이 두지 마십시오.

- 기계를 켜고 날이 최고 속도에 도달하도록 합니다.
- 가드 아래에 공작물을 천천히 이송하여 립 펜스에 단단히 고정되도록 합니다. 톱니를 자르고 날을 통해 가공물을 억지로 밀어 넣지 마십시오. 날 속도는 일정하게 유지해야 합니다.
- 날 (그림 R)에 가까이 작업할 때는 항상 푸시 스틱 **21**을 사용하십시오.
- 절단이 완료되면 기계를 끄고 날이 멈추고 공작물을 제거하십시오.

**경고:**

- 공작물의 "프리" 또는 절단면을 누르거나 잡지 마십시오.
- 너무 작은 공작물을 자르지 마십시오.
- 작은 공작물을 리핑할 때는 항상 푸시 스틱을 사용하십시오.

베벨 컷 (그림 A)

- 필요한 베벨 각도를 설정하려면 베벨 잠금 레버 **7**를 위로 오른쪽으로 밀어 돌립니다.
- 원하는 각도로 설정하려면 레버를 아래로 누르고 왼쪽으로 밀어 제자리에 고정하십시오.
- 리핑을 진행하십시오.

교차 절단 및 베벨 교차 절단 (그림 Q)

- 립 펜스를 제거하고 마이 터 게이지를 원하는 슬롯에 설치하십시오.
- 연구 게이지를 0°로 잠급니다.
- 리핑을 진행하십시오.

마이 터 컷 (그림 A)

- 연구 게이지 **10**를 필요한 각도로 설정하십시오.

참고: 공작물 게이지 표면에 항상 공작물을 단단히 고정시키십시오.

- 리핑을 진행하십시오.

복합 마이터

이 톱은 마이터와 베벨 컷의 조합입니다. 베벨을 필요한 각도로 설정하고 십자형 절단면처럼 진행하십시오.

긴 조각 지원

- 항상 긴 조각을 지원합니다.
- 끝이 떨어지는 것을 방지하기 위해 톱 말 또는 유사한 장치와 같은 편리한 수단을 사용하여 긴 공작물을 지지하십시오.

**먼지 추출 (그림 A, AA)**

기계 후면에는 57/65 mm 노즐이 장착 된 먼지 추출 장비와 함께 사용하기에 적합한 먼지 배출구 **14**가 제공됩니다. 기계에는 34-40mm 직경의 먼지 추출 노즐을 사용하기 위한 감속기 포트가 제공됩니다.

기계에는 DEWALT AirLock 시스템 (DWV9000-X)과 함께 사용되는 감속기 포트가 제공됩니다.

납 함유 코팅 및 일부 목재와 같은 물질의 먼지는 건강에 해로울 수 있습니다. 먼지를 흡입하면 알레르기 반응을 일으키거나 사용자 또는 방관자의 호흡기 감염을 유발할 수 있습니다.

오크나 너도밤 나무 분진과 같은 특정 분진은 특히 목재 처리 첨가제와 관련하여 발암 물질로 간주됩니다.

재료를 취급하려면 해당 국가의 관련 규정을 준수하십시오.

진공 청소기는 작업중인 재료에 적합해야 합니다.

건강이나 발암성에 특히 해로운 마른 먼지를 진공 청소기로 청소할 때는 M등급 진공 청소기를 사용하십시오.

블레이드 가드 어셈블리에는 35mm 노즐 (M 클래스 진공)용 먼지 배출구도 있습니다.

- 모든 작업 중에 먼지 배출 관련 규정에 따라 설계된 먼지 추출 장치를 연결하십시오.
- 사용중인 먼지 추출 호스가 절단 작업 및 재료에 적합한지 확인하십시오. 호스 관리가 올바른지 확인하십시오.
- 마분지 또는 MDF와 같은 인공 재료는 절단 중에 천연 목재보다 더 많은 먼지 입자를 생성합니다.

보관 (그림 B, X-Z)

기기를 사용하지 않을 때는 안전한 방법으로 보관하십시오. 보관 장소는 건조하고 잠글 수 있어야 합니다. 이렇게 하면 장비가 손상되거나 훈련되지 않은 사람이 장비를 작동하지 못하게 됩니다.

- 푸시 스틱 **21**을 펜스에 부착하십시오.
- 노란색 버튼이 구멍에 정렬 될 때까지 블레이드 렌치 **20**를 포켓에 밀어 넣으십시오 (그림 B 참조).
- 마이터 게이지의 가이드 바가 바닥에 닿을 때까지 포켓에 삽입하십시오.
- 이 위치에 코드를 감으십시오 **43** 그림 Z를 참조하십시오.
- 펜스를 보관하려면 작업 지지대를 보관 위치에 끼우십시오. 레일에서 펜스를 제거하십시오. 톱의 왼쪽에 펜스를 거꾸로 다시 부착하십시오 (그림 Y 참조). 로케이터 슬롯을 왼쪽 펜스 로케이터 나사에 걸지 마십시오. 이 나사는 그림과 같이 펜스의 클리어런스 포켓과 정렬됩니다. 립 펜스 래치 **18**를 닫아 안전하게 고정하십시오.

운송 (그림 A, B)

운송하기 전에 다음을 수행해야 합니다:

- 랩 코드
- 톱날의 톱나가 톱 테이블 아래에 놓일 때까지 블레이드 높이 조정 휠 **6**을 시계 반대 방향으로 돌립니다. 베벨 잠금 레버 **7**를 잠그십시오.
- 펜스 레일을 완전히 안쪽으로 밀고 레일 잠금 레버 **5**로 고정하십시오.
- 항상 지정된 핸들 **50**을 사용하여 기계를 운반하십시오 (그림 A 및 B 참조).



경고: 항상 상부 날 가드가 장착 된 상태로 기계를 운반하십시오.

유지 보수

DeWALT 전동 공구는 최소한의 유지 보수로 장기간에 걸쳐 작업이 가능하도록 설계되어 있습니다. 만족스러운 연속 작동은 적절한 공구 관리와 정기적인 청소에 따라 그 성능이 달라질 수 있습니다.



경고: 심각한 신체 부상의 위험을 줄이려면 공구를 정하거나 부착물 또는 액세스리를 제거/설치하기 전에 공구를 끄고 배터리 팩을 분리하십시오. 공구가 갑자기 작동하여 부상을 당할 수 있습니다.



윤활 (그림 T)

모터와 베어링에는 추가 윤활이 필요하지 않습니다. 날을 올리거나 내리기가 어려워지면 높이 조정 나사를 청소하고 그리스를 칠하십시오.

1. 전원에서 톱을 제거합니다.
2. 톱을 옆으로 돌리십시오.
3. 그림 T와 같이 톱의 밑면에 있는 높이 조정 나사산 **42** 을 청소하고 윤활하십시오. 일반적인 그리스를 사용하십시오.



청소 (그림 A, S)



심각한 신체 부상의 위험을 줄이려면 부착물 또는 액세서리를 조정하거나 제거 / 설치하기 전에 공구를 끄고 전원에서 공구를 분리하십시오. 공구가 갑자기 작동하여 부상을 당할 수 있습니다.



경고: 통풍구 속이나 주변에 먼지가 쌓여있는 것이 보이면 가능한 한 자주 건조한 공기를 이용하여 메인 하우징에서 먼지를 불어내십시오. 이 절차를 수행할 때에는 승인된 눈 보호 장구 및 승인된 방진 마스크를 착용하십시오.



경고: 공구의 비금속성 부품을 청소할 때는 용제 등의 강력한 화학약품을 절대 사용하지 마십시오. 그렇지 않으면 이러한 부분에 사용된 재료가 약해질 수 있습니다. 헹굼에 물과 순한 비누를 적서 닦아주십시오. 공구 내부에 액체를 넣거나 공구 부품을 액체에 담그는 행동은 절대 금물입니다.



경고: 부상의 위험을 줄이려면 테이블을 정기적으로 청소하십시오.



경고: 부상의 위험을 줄이려면 정기적으로 집진 시스템을 청소하십시오.

블레이드 가드 어셈블리 **11** 와 스포트 플레이트는 톱을 작동시키기 전에 제 위치에 있어야 합니다.

사용하기 전에 상단 및 하단 블레이드 가드와 먼지 추출 튜브를 주의깊게 검사하여 올바르게 작동하는지 확인하십시오. 칩, 먼지 또는 공작물 입자가 가능 중 하나를 막지 않도록 하십시오.

톱날과 가드 사이에 공작물 조각이 걸리는 경우 전원 공급 장치에서 기계를 분리하고 **톱날 장착 섹션의 지침**을 따르십시오. 걸린 부품을 제거하고 톱날을 다시 조립하십시오

통풍구를 깨끗하게 유지하고 부드러운 천으로 하우징을 정기적으로 청소하십시오.

집진 시스템을 정기적으로 청소하십시오:

1. 톱 플러그를 뽑으십시오.
2. 톱을 옆으로 돌리면 장치의 아래쪽, 열린 부분에 접근 할 수 있습니다.
3. 그림 S에 표시된 먼지 집근 도어 **44** 를 열고 나사 두 개를 풀고 측면 클립 **45** 을 서로를 향하여 누릅니다. 여분의 먼지를 제거하고 측면 클립을 제자리에 완전히 밀고 잠금 나사를 조여 다시 고정하십시오.

선택 액세서리



경고: DeWALT에서 제공하지 않은 액세서리는 본 제품에서 테스트되지 않았으므로 본 제품에서 이러한 액세서리를 사용하면 위험할 수 있습니다. 신체 부상의 위험을 줄이려면 본 제품에 알맞은 액세서리만 사용해야 합니다.

해당 액세서리에 대한 자세한 정보는 판매 대리점으로 문의하십시오.

마모되면 날 가드를 교체하십시오. 날 보호대 교체에 대한 자세한 내용은 지역 DeWALT 서비스 센터에 문의하십시오.

톱날: 항상 25.4 mm 아머 홀이 있는 250 mm 소용 감소 톱날을 사용하십시오. 블레이드 속도 등급은 5000 RPM이상이어야 합니다. 더 작은 직경의 블레이드를 사용하지 마십시오. 제대로 보호되지 않습니다.

블레이드 설명		
어플리케이션	직경	톱날
톱날 구축 (빠른 림)		
범용	250 mm	24
정밀한 크로스 컷	250 mm	40
목공 톱날 (부드럽고 깔끔한 절단 제공)		
정밀한 크로스 컷	250 mm	60

해당 액세서리에 대한 자세한 정보는 판매 대리점으로 문의하십시오.

- DWE74911 롤링 테이블 톱 스탠드
- DWE74912 가위 다리 받침대

환경 보호



분리 수거. 이 기호가 표시된 제품과 배터리를 일반 가정용 쓰레기와 함께 처리하면 안됩니다.

제품과 배터리에는 재활용되거나 재사용되고 고철 자원에 대한 수요를 줄일 수 있는 자재가 포함되어 있습니다. 전기 제품과 배터리는 지역 규정에 따라 재활용하십시오. 자세한 내용은 www.2help.U.com 에서 찾아볼 수 있습니다.

정비 및 수리

- DeWALT는 고객들에게 가장 효율적이고 신뢰할 수 있는 서비스를 제공하기 위하여 훈련된 직원들로 센터를 구성하고 있습니다.
- 사용자의 안전 및 제품의 신뢰성을 보장하기 위하여 제품의 정비, 유지 보수 및 수리는 반드시 공인된 서비스센터에서 수행해야 합니다. 자격이 없는 곳으로부터 받은 제품의 정비 및 수리는 사용자의 부상 위험 및 불이익을 초래할 수 있습니다. 가까운 DeWALT 서비스센터의 위치를 알아보려면, 제품과 함께 동봉된 전단을 통해 전화번호, 홈페이지 주소 및 기타 연락처 등을 확인할 수 있습니다.