
DEWALT®

www.DEWALT.com

DWE305PK

English	3
简体中文	9
繁體中文	13
한국어	19

Figure 1

图1

圖1

그림1a

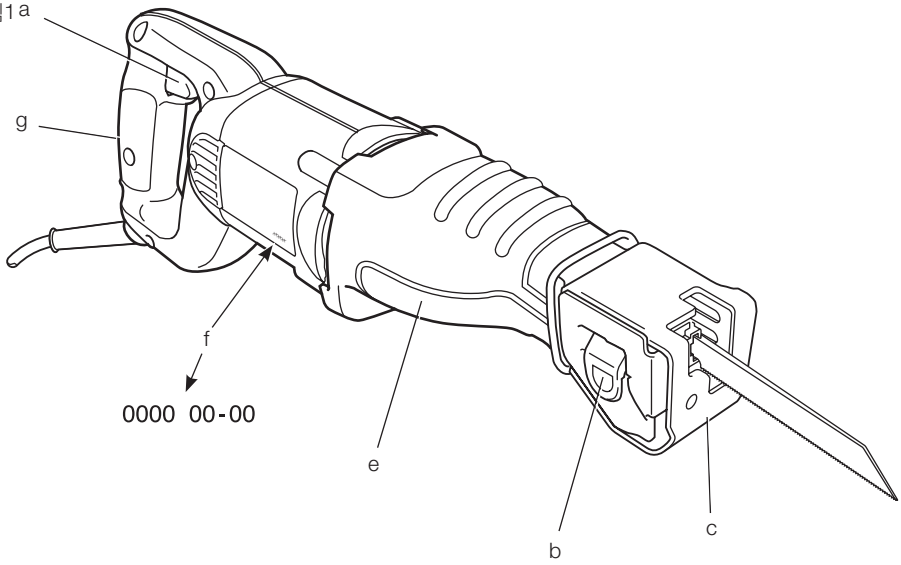


Figure 2

图2

圖2

그림2

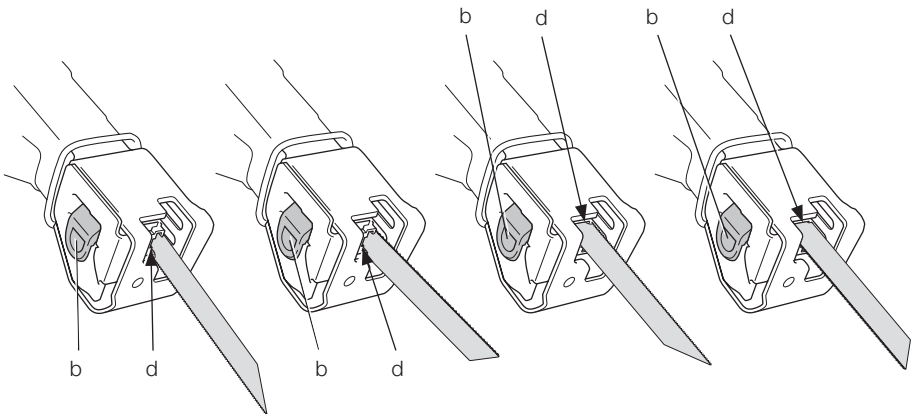


Figure 3

图3

圖3

그림3

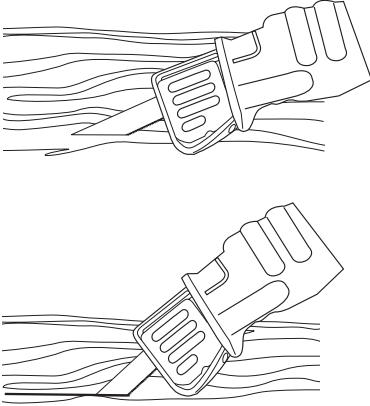


Figure 4

图4

圖4

그림4

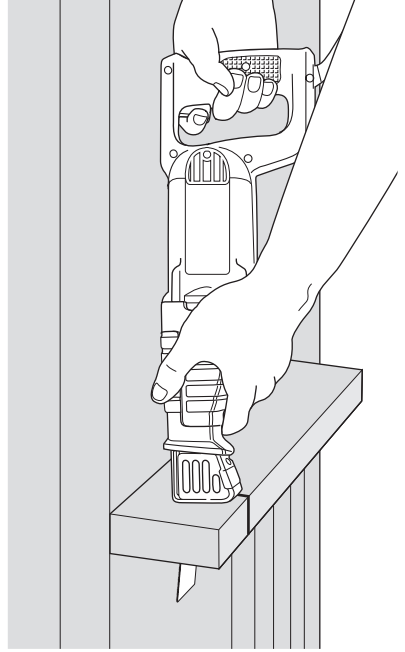
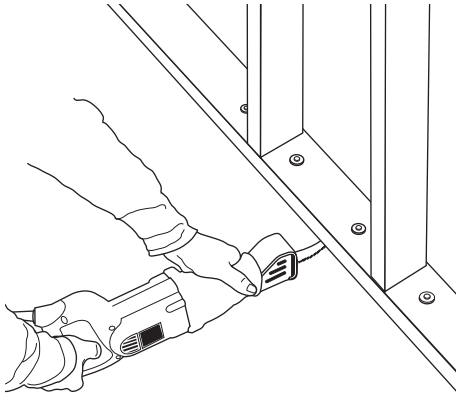


Figure 5

图5

圖5

그림5



SABRE SAW

DWE305PK

Congratulations!

You have chosen a DEWALT tool. Years of experience, thorough product development and innovation make DEWALT one of the most reliable partners for professional power tool users.

Technical Data

		DWE305PK-B1/KR	DWE305PK-TW	DWE305PK-A9
Voltage	V_{AC}	220–240	110	220-240
Power input	W	1100	1100	1050
No-load speed		0–2800	0–2800	0–2800
Stroke length	mm	29	29	29
Cutting capacity in wood/metal profiles/plastic tubes	mm	280/100/130	280/100/130	280/100/130
Weight	kg	3.5	3.5	3.5

Definitions: Safety Guidelines

The definitions below describe the level of severity for each signal word. Please read the manual and pay attention to these symbols.



DANGER: Indicates an imminently hazardous situation which, if not avoided, **will result in death or serious injury.**



WARNING: Indicates a potentially hazardous situation which, if not avoided, **could result in death or serious injury.**



CAUTION: Indicates a potentially hazardous situation which, if not avoided, **may result in minor or moderate injury.**

NOTICE: Indicates a practice **not related to personal injury** which, if not avoided, **may result in property damage.**



Denotes risk of electric shock.



Denotes risk of fire.



WARNING: To reduce the risk of injury, read the instruction manual.

General Power Tool Safety Warnings



WARNING! Read all safety warnings and all instructions. Failure to follow the warnings and instructions may result in electric shock, fire and/or serious injury.

SAVE ALL WARNINGS AND INSTRUCTIONS FOR FUTURE REFERENCE

The term “power tool” in the warnings refers to your mains-operated (corded) power tool or battery-operated (cordless) power tool.

1) WORK AREA SAFETY

- Keep work area clean and well lit.** Cluttered or dark areas invite accidents.
- Do not operate power tools in explosive atmospheres, such as in the presence of flammable liquids, gases or dust.** Power tools create sparks which may ignite the dust or fumes.
- Keep children and bystanders away while operating a power tool.** Distractions can cause you to lose control.

2) ELECTRICAL SAFETY

- Power tool plugs must match the outlet. Never modify the plug in any way. Do not use any adapter plugs with earthed (grounded) power tools.** Unmodified plugs and matching outlets will reduce risk of electric shock.

- b) **Avoid body contact with earthed or grounded surfaces such as pipes, radiators, ranges and refrigerators.** *There is an increased risk of electric shock if your body is earthed or grounded.*
- c) **Do not expose power tools to rain or wet conditions.** *Water entering a power tool will increase the risk of electric shock.*
- d) **Do not abuse the cord. Never use the cord for carrying, pulling or unplugging the power tool. Keep cord away from heat, oil, sharp edges or moving parts.** *Damaged or entangled cords increase the risk of electric shock.*
- e) **When operating a power tool outdoors, use an extension cord suitable for outdoor use.** *Use of a cord suitable for outdoor use reduces the risk of electric shock.*
- f) **If operating a power tool in a damp location is unavoidable, use a residual current device (RCD) protected supply.** *Use of an RCD reduces the risk of electric shock.*

3) PERSONAL SAFETY

- a) **Stay alert, watch what you are doing and use common sense when operating a power tool. Do not use a power tool while you are tired or under the influence of drugs, alcohol or medication.** *A moment of inattention while operating power tools may result in serious personal injury.*
- b) **Use personal protective equipment. Always wear eye protection.** *Protective equipment such as dust mask, non-skid safety shoes, hard hat, or hearing protection used for appropriate conditions will reduce personal injuries.*
- c) **Prevent unintentional starting. Ensure the switch is in the off position before connecting to power source and/or battery pack, picking up or carrying the tool.** *Carrying power tools with your finger on the switch or energising power tools that have the switch on invites accidents.*
- d) **Remove any adjusting key or wrench before turning the power tool on.** *A wrench or a key left attached to a rotating part of the power tool may result in personal injury.*
- e) **Do not overreach. Keep proper footing and balance at all times.** *This enables better control of the power tool in unexpected situations.*

- f) **Dress properly. Do not wear loose clothing or jewellery. Keep your hair, clothing and gloves away from moving parts.** *Loose clothes, jewellery or long hair can be caught in moving parts.*
- g) **If devices are provided for the connection of dust extraction and collection facilities, ensure these are connected and properly used.** *Use of dust collection can reduce dust-related hazards.*
- h) **Do not let familiarity gained from frequent use of tools allow you to become complacent and ignore tool safety principles.** *A careless action can cause severe injury within a fraction of a second.*

4) POWER TOOL USE AND CARE

- a) **Do not force the power tool. Use the correct power tool for your application.** *The correct power tool will do the job better and safer at the rate for which it was designed.*
- b) **Do not use the power tool if the switch does not turn it on and off.** *Any power tool that cannot be controlled with the switch is dangerous and must be repaired.*
- c) **Disconnect the plug from the power source and/or the battery pack from the power tool before making any adjustments, changing accessories, or storing power tools.** *Such preventive safety measures reduce the risk of starting the power tool accidentally.*
- d) **Store idle power tools out of the reach of children and do not allow persons unfamiliar with the power tool or these instructions to operate the power tool.** *Power tools are dangerous in the hands of untrained users.*
- e) **Maintain power tools. Check for misalignment or binding of moving parts, breakage of parts and any other condition that may affect the power tool's operation. If damaged, have the power tool repaired before use.** *Many accidents are caused by poorly maintained power tools.*
- f) **Keep cutting tools sharp and clean.** *Properly maintained cutting tools with sharp cutting edges are less likely to bind and are easier to control.*
- g) **Use the power tool, accessories and tool bits etc., in accordance with these instructions taking into account the working conditions and the work to be performed.** *Use of the power tool for operations different from those intended could result in a hazardous situation.*

- h) **Keep handles and grasping surfaces dry, clean and free from oil and grease.** Slippery handles and grasping surfaces do not allow for safe handling and control of the tool in unexpected situations.

5) SERVICE

- a) **Have your power tool serviced by a qualified repair person using only identical replacement parts.** This will ensure that the safety of the power tool is maintained.

- Only sharp saw blades in perfect working condition should be used; cracked or bent saw blades should be discarded and replaced at once.
- Ensure that the saw blade is securely fixed.



WARNING: We recommend the use of a residual current device with a residual current rating of 30mA or less.

Additional Safety Instructions for Reciprocating Saws



WARNING: ALWAYS use approved respiratory protection. Use of this tool can generate and/or disburse dust, which may cause serious injury.

- **Hold the power tool by insulated gripping surfaces, when performing an operation where the cutting accessory may contact hidden wiring or its own cord.** Cutting accessory contacting a "live" wire may make exposed metal parts of the power tool "live" and could give the operator an electric shock.
- **Use clamps or another practical way to secure and support the workpiece to a stable platform.** Holding the workpiece by hand or against your body leaves it unstable and may lead to loss of control.
- After switching off, never attempt to stop the saw blade with your fingers.
- Never put the saw down on a table or work bench unless switched off. The saw blade will keep running briefly after the tool has been switched off.
- When using saw blades specially designed for cutting wood remove all nails and metal objects from the workpiece before starting work.
- Wherever possible, use clamps and vices to fasten the workpiece securely.
- Do not attempt to saw extremely small workpieces.
- Do not bend too far forward. Make sure that you always stand firmly particularly on scaffolding and ladders.
- Always hold the saw with both hands.
- For cutting curves and pockets, use an adapted saw blade.
- Only use saw blades conforming to the specifications contained in these operating instructions.

Residual Risks

In spite of the application of the relevant safety regulations and the implementation of safety devices, certain residual risks cannot be avoided. These are:

- Impairment of hearing.
- Risk of personal injury due flying particles.
- Risk of burns due to accessories becoming hot during operation.
- Risk of personal injury due to prolonged use.

Markings on Tool

The following pictograms are shown on the tool:



Read instruction manual before use.

DATE CODE POSITION (FIG. 1)

The date code (f), which also includes the year of manufacture, is printed on the nameplate.

Example:

2021 XX XX

Year of Manufacture

Package Contents

The package contains:

- 1 Sabre saw
 - 1 General purpose saw blade
 - 1 Kitbox (K-models only)
 - 1 Instruction manual
- Check for damage to the tool, parts or accessories which may have occurred during transport.
 - Take the time to thoroughly read and understand this manual prior to operation.

Description (fig. 1)



WARNING: Never modify the power tool or any part of it. Damage or personal injury could result.

- Variable speed switch
- Blade clamp lever
- Saw shoe

INTENDED USE

Your DWE305PK sabre saw has been designed for professional sawing of wood, metal and plastic tubes. The compact design permits cutting extremely close to the edge of difficult areas.

DO NOT use under wet conditions or in presence of flammable liquids or gases.

These Sabre saws are professional power tools.

DO NOT let children come into contact with the tool. Supervision is required when inexperienced operators use this tool.

- This product is not intended for use by persons (including children) suffering from diminished physical, sensory or mental abilities; lack of experience, knowledge or skills unless they are supervised by a person responsible for their safety. Children should never be left alone with this product.

Electrical Safety

The electric motor has been designed for one voltage only. Always check that the power supply corresponds to the voltage on the rating plate.



Your DEWALT tool is double insulated; therefore no earth wire is required.

If the supply cord is damaged, it must be replaced by a specially prepared cord available through the DEWALT service organisation.

Using an Extension Cable

If an extension cable is required, use an approved 3-core extension cable suitable for the power input of this tool (see **Technical Data**). The minimum conductor size is 1,5 mm²; the maximum length is 30 m.

When using a cable reel, always unwind the cable completely.

ASSEMBLY AND ADJUSTMENTS



WARNING: To reduce the risk of injury, turn unit off and disconnect machine from power source before installing and removing accessories, before adjusting or changing set-ups or when making repairs. Be sure the trigger switch is in the OFF position. An accidental start-up can cause injury.

Mounting the Saw Blade (fig. 2)

- Move the blade clamp lever (b) up to release the blade clamping mechanism.
- Insert the saw blade into the holder (d) until it engages. The blade can be installed with the teeth pointing down or up, or left or right.
- Move the blade clamp lever (b) down to lock the blade clamping mechanism.
- To remove the saw blade, proceed in reverse order.

Saw Blades

material	recommended saw blade
ferrous metal	fine-toothed
non ferrous metal	coarse-toothed
wood	coarse-toothed
plastic	fine-toothed
masonry	carbide-tipped

A wide variety of dedicated saw blades is available as an option.



WARNING: Always select your saw blade with great care.

OPERATION

Instructions for Use



WARNING: Always observe the safety instructions and applicable regulations.



WARNING: To reduce the risk of serious personal injury, turn tool off and disconnect tool from power source before making any adjustments or removing/installing attachments or accessories.



WARNING:

- Ensure the material to be sawn is secured in place.
- Apply only a gentle pressure to the tool and do not exert side pressure on the saw blade. If possible, work with the saw shoe pressed against

the workpiece. This prevents damage to the blade and stops the tool from jerking and vibrating.

- When sawing in walls or doors be aware of the location of pipework and wiring. Always hold the tool by its handle.
- Avoid overloading.
- Let the blade run freely for a few seconds before starting the cut. Never switch on the tool when the saw blade is jammed in the workpiece or in contact with the material.

Proper Hand Position (fig. 1, 4)



WARNING: To reduce the risk of serious personal injury, **ALWAYS** use proper hand position as shown.



WARNING: To reduce the risk of serious personal injury, **ALWAYS** hold securely in anticipation of a sudden reaction.

Proper hand position requires one hand on the back handle (g), with the other hand on the front grip (e).

Switching On and Off (fig. 1)

To run the tool, press the variable speed switch (a). The pressure exerted on the variable speed switch determines the tool speed.

To stop the tool, release the switch.

Always switch off the tool when work is finished and before unplugging.

Cutting Wood

1. Clamp the workpiece securely and remove all nails and metal objects.
2. Holding the tool with both hands, work with the saw shoe pressed against the workpiece.

Plunge Cutting in Wood (fig. 3)

1. Rest the saw shoe on the workpiece in such a position that the blade forms an appropriate angle for the plunge cut.
2. Switch the tool on and slowly feed in the blade. Make sure that the saw shoe remains in contact with the workpiece at all times.

Pocket Cuts

1. Measure and mark the required pocket cut.
2. Using a narrow saw blade rest the bottom of the saw shoe on the workpiece and make sure that the blade is positioned on the cutting line.

If necessary, e.g. in confined spaces, use the outer edge of the saw shoe as your guideline.

3. Switch on the tool and feed the blade into the material at full speed, holding the tool firmly against the workpiece.

Cutting Metal

When cutting thin metal always stabilize the workpiece with wood on both sides. This guarantees clean cuts and prevents damaging of the material.

For long, straight cuts draw a line on the workpiece.

Apply a thin film of lubricant along the cutting line, switch on the tool and follow the cutting line.

Cutting Plastics

Always work at reduced speed. Carry out a test cut to check whether the material is sensitive to heat.



Cutting Masonry



WARNING: When sawing asbestos cement, hazardous dust may be produced. Follow the statutory guidelines and observe the recommendations issued by the asbestos cement manufacturers.

Sawing Up to a Projecting Edge (fig. 4)

Using a conventional blade installed upside down, cut up to the projected edge.

Parallel Cutting (fig. 5)

With the blade installed in the horizontal orientation, the tool can be used for parallel cutting close to floors, walls or ceilings.

Make sure that the saw shoe remains in contact with the workpiece at all times.

MAINTENANCE

Your DEWALT power tool has been designed to operate over a long period of time with a minimum of maintenance. Continuous satisfactory operation depends upon proper tool care and regular cleaning.



WARNING: To reduce the risk of injury, turn unit off and disconnect machine from power source before installing and removing accessories, before adjusting or changing set-ups or when making repairs.

Be sure the trigger switch is in the OFF position. An accidental start-up can cause injury.



Dust Extraction

When the tool is used indoor for extended periods of time, use a suitable dust extractor designed in compliance with the applicable Directives regarding dust emission.



Lubrication

If the tool will not be used for a long period of time, coat the saw blade with a little oil (e.g., machine oil).



Cleaning



WARNING: Blow dirt and dust out of the main housing with dry air as often as dirt is seen collecting in and around the air vents. Wear approved eye protection and approved dust mask when performing this procedure.



WARNING: Never use solvents or other harsh chemicals for cleaning the non-metallic parts of the tool. These chemicals may weaken the materials used in these parts. Use a cloth dampened only with water and mild soap. Never let any liquid get inside the tool; never immerse any part of the tool into a liquid.

Optional Accessories



WARNING: Since accessories, other than those offered by DEWALT, have not been tested with this product, use of such accessories with this tool could be hazardous. To reduce the risk of injury, only DEWALT, recommended accessories should be used with this product.

Consult your dealer for further information on the appropriate accessories.

Protecting the Environment



Separate collection. This product must not be disposed of with normal household waste.

Should you find one day that your DEWALT product needs replacement, or if it is of no further use to you, do not dispose of it with household waste. Make this product available for separate collection.



Separate collection of used products and packaging allows materials to be recycled and used again. Re-use of recycled materials helps prevent environmental pollution and reduces the demand for raw materials.

Local regulations may provide for separate collection of electrical products from the household, at municipal waste sites or by the retailer when you purchase a new product.

DEWALT provides a facility for the collection and recycling of DEWALT products once they have reached the end of their working life. To take advantage of this service please return your product to any authorised repair agent who will collect them on our behalf.

You can check the location of your nearest authorised repair agent by contacting your local DEWALT office at the address indicated in this manual. Alternatively, a list of authorised DEWALT repair agents and full details of our after-sales service and contacts are available on the Internet at: www.2helpU.com.

After Service and Repair

DEWALT service centers are staffed with trained personnel to provide customers with efficient and reliable product service. We do not take any responsibility when you have repaired in unauthorized service center. You can refer to the leaflet of CONTACT CENTER LOCATOR in product package and contact us through hotline, website or social media to find the nearest DEWALT service center around you.

往复锯

DWE305PK

恭喜!

感谢您选购DEWALT工具。凭借多年的产品开发和创新经验，DEWALT已经成为专业电动工具用户最可靠的合作伙伴之一。

技术参数

		DWE305PK
电压	V _{AC}	220
功率输入	W	1050
空载速度		0-2800
冲程长度	mm	29
锯切能力		
在木材/金属型材/塑料管上	mm	280/100/130
重量	kg	3.5

定义:安全指南

下列定义描述了各标志术语的严重程度。请仔细阅读本手册,并注意这些标志。



危险:表示存在紧急危险情况,如果不加以避免,将导致死亡或严重伤害。



警告:表示存在潜在的危险情况,如果不加以避免,可能导致死亡或严重伤害。



小心:表示存在潜在危险情况,如果不加以避免,可能导致轻度或中度伤害。

注意:表示存在不涉及人身伤害的情况,若不加以避免,可能导致财产损失。



表示存在触电风险。



表示存在火灾风险。



警告:为降低伤害风险,请阅读使用手册。

电动工具通用安全警告



警告!阅读随电动工具提供的所有安全警告、说明、图示和规定。不遵照以下所列说明会导致电击、着火和/或严重伤害。

保存所有警告和说明书以备查阅。

警告中的术语“电动工具”指市电驱动(有线)电动工具或电池驱动(无线)电动工具。

1) 工作场地的安全

- a) 保持工作场地清洁和明亮。杂乱和黑暗的场地会引发事故。

- b) 不要在易爆环境,如有易燃液体、气体或粉尘的环境下操作电动工具。电动工具产生的火花会点燃粉尘或气体。
- c) 操作电动工具时,远离儿童和旁观者。注意力不集中会使你失去对工具的控制。

2) 电气安全

- a) 电动工具插头必须与插座相配。绝不能以任何方式改装插头。需接地的电动工具不能使用任何转换插头。未经改装的插头和相配的插座将降低电击风险。
- b) 避免人体接触接地表面,如管道、散热片和冰箱。如果你身体接触接地表面会增加电击风险。
- c) 不得将电动工具暴露在雨中或潮湿环境中。水进入电动工具将增加电击风险。
- d) 不得滥用软线。绝不能用软线搬运、拉动电动工具或拔出其插头。使软线远离热源、油、锐边或运动部件。受损或缠绕的软线会增加电击风险。
- e) 当在户外使用电动工具时,使用适合户外使用的延长线。适合户外使用的电线将降低电击风险。
- f) 如果无法避免在潮湿环境下操作电动工具,应使用带有剩余电流装置(RCD)保护的电源。RCD的使用可降低电击风险。

3) 人身安全

- a) 保持警觉,当操作电动工具时关注所从事的操作并保持清醒。当你感到疲倦,或有在药物、酒精或治疗反应时,不要操作电动工具。在操作电动工具时瞬间的疏忽会导致严重人身伤害。
- b) 使用个人防护装置。始终佩戴护目镜。防护装置,诸如适当条件下使用防尘面具、防滑安全鞋、安全帽、听力防护等装置能减少人身伤害。
- c) 防止意外启动。在连接电源和/或电池盒、拿起或搬运工具前确保开关处于关断位置。手指放在开关上搬运工具或开关处于接通时通电会导致危险。
- d) 在电动工具接通之前,拿掉所有调节钥匙或扳手。遗留在电动工具旋转零件上的扳手或钥匙会导致人身伤害。
- e) 手不要过分伸展。时刻注意立足点和身体平衡。这样能在意外情况下能更好地控制住电动工具。
- f) 着装适当。不要穿宽松衣服或佩戴饰品。让你的头发和衣服远离运动部件。宽松衣服、配饰或长发可能会卷入运动部件。
- g) 如果提供了与排屑、集尘设备连接用的装置,要确保其连接完好且使用得当。使用集尘装置可降低尘屑引起的危险。
- h) 不要因为频繁使用工具而产生的熟悉感而掉以轻心,忽视工具的安全准则。某个粗心的动作可能在瞬间导致严重的伤害。

4) 电动工具使用和注意事项

- a) **不要勉强使用电动工具，根据用途使用合适的电动工具。**选用合适的按照额定值设计的电动工具会使你工作更有效、更安全。
- b) **如果开关不能接通或关断电源，则不能使用该电动工具。**不能通过开关来控制的电动工具是危险的且必须进行修理。
- c) **在进行任何调节、更换附件或贮存电动工具之前，必须从电源上拔掉插头和/或卸下电池包(如可拆卸)。**这种防护性的安全措施降低了电动工具意外起动的风险。
- d) **将闲置不用的电动工具贮存在儿童所及范围之外，并且不允许不熟悉电动工具和不了解这些说明的人操作电动工具。**电动工具在未经培训的使用者手中是危险的。
- e) **维护电动工具及其附件。检查运动部件是否调整到位或卡住，检查零件破损情况和影响电动工具运行的其他状况。如有损坏，应在使用前修理好电动工具。**许多事故是由维护不良的电动工具引发的。
- f) **保持切削刀具锋利和清洁。**维护良好地有锋利切削刃的刀具不易卡住而且容易控制。
- g) **按照使用说明书，并考虑作业条件和要进行的作业来选择电动工具、附件和工具的刀头等。**将电动工具用于那些与其用途不符的操作可能会导致危险情况。
- h) **保持手柄和握持表面干燥、清洁，不得沾有油脂。**在意外的情况下，湿滑的手柄不能保证握持的安全和对工具的控制。

5) 维修

- a) **让专业维修人员使用相同的备件维修电动工具。**这将保证所维修的电动工具的安全。

往复锯的附加安全指示



警告：务必使用获得批准的呼吸保护装置。使用该工具会产生和/或发出粉尘，可能造成严重伤害。

- **当在锯割附件可能触及暗线或其自身导线的场合进行操作时，要通过绝缘握持面握持工具。**锯割附件碰到带电导线会使工具外露的金属零件带电而使操作者受到电击。
- **使用夹具或者其他实用方法将工件固定和支撑在稳定的工作台面。**用手或身体固定工件会使工件不稳引起失控。
- 在关闭后，不得试图用手指来阻止锯片的转动。
- 除非已经关闭工具，否则不得将电锯放在桌子或工作台上。在关闭工具后，锯片在短时间内还会继续转动。
- 在使用专为切割木材而设计的锯片时，要先去除工件中的所有钉子和金属物件，然后再开始作业。
- 如有可能，请使用夹子和老虎钳来紧固工件。
- 请勿试图切割极小的工件。
- 身体不要过度前倾。确保自己始终稳固站立尤其是在脚手架和梯子上。
- 务必用双手握牢工具。
- 对于切割曲线和凹坑，请使用经过调整的锯片。
- 仅使用与操作说明中给出的规格相一致的锯片。
- 只能使用处于最佳状态的锋利锯片；应该丢弃有裂痕或弯折的锯片并立即更换。

- 确保锯片安装牢固。



警告：我们建议使用漏电保护额定电流为30毫安或以下的漏电保护装置。

剩余风险

尽管遵守了相关的安全法规并采用了安全装备，某些剩余风险仍然是无法避免的。这些风险包括：

- 听力损伤。
- 飞溅颗粒造成的人身伤害风险。
- 使用时附件发热导致的灼伤风险。
- 长时间使用引起的人身伤害风险。

工具上的标记

工具上印有下列图形：



使用前请阅读使用手册。

日期代码位置 (图 1)

包含制造年份的日期码 (Ø) 打印在工具外壳上。

示例：

2021 XX XX
制造年份

包装内的物品

包装内的物品包括：

- 1 往复锯
- 1 通用锯片
- 1 个工具箱 (仅限于K型号)
- 1 本说明手册
- 检查工具、部件或附件是否在运输过程中损坏。
- 操作前，请抽空仔细阅读并掌握本手册。

说明 (图 1)



警告：切勿改装本电动工具或其任何部件，否则可能会导致损坏或人身伤害。

- a. 变速开关
- b. 锯片夹释放杆
- c. 电锯底座

设计用途

您的 DWE305PK 往复锯被设计用于专业切割木材、金属和塑料管材。集成式的设计使得该工具能够在距离难度区域边缘很近的地方进行切割。

请勿在潮湿环境中或在易燃液体或气体存在的环境中使用本工具。

本往复锯是专业的电动工具。

请勿让儿童接触本工具。缺乏经验的操作员需要在监督下使用本工具。

- 本产品不适合体力、感官或智力不足以及缺乏经验、知识或技能的人员(包括儿童)使用,除非一旁有能为他们的安全负责的监督人员。不得在无人监管的情况下让儿童接触本产品。

电气安全

电机只适用一种工作电压。请务必检查电压是否和铭牌上的电压一致。



您的DeWALT工具是双层绝缘;因此无需接电线。

如果电源线损坏,必须由DeWALT或授权的维修机构负责更换。

使用延长线

如果需要延长线,请使用经过批准、适合本工具输入功率的三线芯延长线(参见**技术数据**)。最小导线尺寸为1.5²; mm²;最大长度为30 m。

使用电缆卷筒时,请务必拉出所有的电缆。

组装与调整



警告:为降低受伤风险,请关闭工具并切断电源,然后再安装后拆除附件,调整或更改设置或进行维修。确保扳机开关处于“关闭”位置。意外启动可能会导致人身伤害。

安装锯片(图 2)

1. 向上移动锯片夹释放杆(b),松开锯片夹紧机制。
2. 将锯片插入支架(d),直到锯片被安装到位为止。安装锯片时,可让锯齿朝向上下左右任一方向。
3. 向下移动锯片夹释放杆(b),锁定锯片夹紧机制。
4. 如需拆除锯片,请反向操作。

锯片

材料	推荐锯片
金属	细齿
有色金属	粗齿
木材	粗齿
塑料	细齿
砖石	硬质合金锯齿

有多种专用锯片可供选择。



警告:务必慎重挑选锯片。

操作

使用说明



警告:务必遵守安全指示和适用法规。



警告:为降低严重的人身伤害风险,在进行任何调整或取出/安装附件或配件之前,请关闭工具及断开电源。意外启动可能会导致人身伤害。



警告:

- 确保待切物料已被固定到位。
- 仅对工具施加轻微压力。请勿向锯片施加来自侧面的压力。如可能,请让电锯底座抵住工件。这能防止损坏锯片,同时让工具不会扯动和振动。
- 在墙壁或门上锯切时,应注意管道和布线的位置。务必握紧工具手柄。
- 避免过载。
- 先让空转几秒钟,然后再开始锯切。不得在锯片卡在工件中时,或在锯片接触材料时打开工具。

正确的双手放置位置(图 1, 4)



警告:为了减低严重人身伤害的风险,请务必如图示那样正确放置双手。



警告:为了减低造成严重人身伤害的风险,预期有突然反作用力时**务必**握紧。

双手正确的位置是一手握住后手柄(g),另一只手握住前抓手(e)。

启动与关闭(图 1)

如需允许工具,请按下变速开关(a)按住变速开关的力度决定了工具的运行速度。

如需停止工具,松开开关。

务必在完成工作后和拔掉插头前关闭工具。

锯切木材

1. 将工件夹紧并移除所有钉子和金属物体。
2. 双手握紧工具,将电锯底座抵住工件。

将锯片切入木材中(图 3)

1. 将电锯底座置于工件上,让锯片与工件形成适当夹角,以便进行切入式锯切。
2. 打开电锯并让锯片缓慢切入工件。确保电锯底座始终与工件保持接触。

盲切

1. 测量并为要求进行的盲切做好标记。
2. 使用较窄的锯片,让电锯底座置于工件上,同时确保锯片处于切割线上。如有必要,例如,在封闭的空间里,使用电锯底座的外沿作为引导。
3. 开启工具,让锯片全速转动并切入材料。握紧工具,使其紧紧抵住工件。

金属切割

在锯切薄金属时,务必在两侧用木料将工件稳定住。这能确保锯切干净利落,防止损坏物料。

如需进行长距离直线锯切,请先在工件上画好直线。

沿着局切线涂上薄薄一层润滑油,开启工具并沿着切割线进行锯切。

锯切塑料

务必降低工具转速。先试切，看物料是否对发热敏感。



锯切砖石



警告：当锯切石棉混凝土时，会产生有害粉尘。请遵循法定指导意见以及石棉混凝土制造商的建议。

锯切突出的边缘 (图 4)

使用颠倒安装的常规锯片来锯切突出的边缘。

平行锯切 (图 5)

沿水平方向安装锯片，将工具用于切近底板、墙面或天花板的平行锯切，确保电锯底座始终与工件保持接触。

维护

您的电动工具设计精良，可以长期使用，仅需极少维护。要持续获得令人满意的工作效果，需要进行合适的工具维护和定期清洁。



警告：为降低受伤风险，请关闭工具并切断电源，然后再安装后拆除附件，调整或更改设置或进行维修。确保扳机开关处于“关闭”位置。意外启动可能会导致人身伤害。



除尘

当在室内长时间使用工具时，请使用根据有关粉尘排放的适用法令设计除尘器。



润滑

如果长时间不再使用工具，请用少量油脂（例如，机油）涂覆于锯片表面。



清洁



警告：一旦看到通风口及其周围积聚了尘屑，请用干燥的空气将灰尘和尘屑从主机外壳内吹出。执行此过程时，需戴上经认可的护目装备和防尘面具。



警告：请勿使用溶剂或其它刺激性化学制品来清洁工具的非金属部件。这些化学物质可能会削弱这些部位使用的材料。请用布蘸温和的肥皂水擦拭。切勿让任何液体渗入工具，切勿让工具的任何部件浸在液体中。

可选配件



警告：除了DeWALT 提供的附件之外，其他附件都未经此产品兼容性测试，若将此类附件与本工具一起使用将存在安全隐患。为降低人身伤害风险，本产品只可使用DeWALT推荐的附件。

请向您的经销商咨询更多关于合适附件的信息。

保护环境



分类回收。由此符号标记的产品和电池不得与普通家庭垃圾一起处理。

如果您需要更换DeWALT产品，或您不再需要该产品，请勿将其与生活垃圾一同丢弃。对本产品进行分类回收。



对老旧产品和包装进行分类回收，让各种材料得到回收再利用。对材料进行回收再利用有助于防止环境污染，减少对原材料的需求。

当地法规会规定，可以从家庭、城市垃圾场或在您购买新产品时，由零售商单独回收电气产品。

DeWALT对已达到工作寿命的DeWALT产品提供回收再利用的设施。如需利用此项服务，请将您的产品送回到任何授权维修代理机构。他们将代表我们回收产品。

您可以根据本手册上的地址，联系当地的DeWALT办事处，查询距离自己最近的授权维修代理机构。或者，如需获得DeWALT授权维修代理机构的名单，以及我们售后服务的详细信息和联系方式，您也可以访问我们的网站www.2helpU.com。

售后服务和维修

DeWALT服务中心有经过培训的专门人员，可向顾客提供高效、可靠的产品服务。如果您在未获授权的服务中心进行维修，我们将不会承担任何责任。您可以查看产品包装上“客服中心位置”宣传单页，通过热线电话、网站或社交媒体与我们联系，找到距离您最近的DeWALT服务中心。

制造商： Stanley Black & Decker Deutschland GmbH

地址： Black & Decker Str.40 65510 Idstein, 德国

产地： 墨西哥

軍刀鋸

DWE305PK

恭喜!

感謝您選購 DeWALT 工具。憑藉多年的產品開發和創新經驗，DeWALT 已經成為專業電動工具用戶最可靠的合作伙伴之一。

技术参数

DWE305PK		
電壓	V _{AC}	110V
功率輸入	W	1100
空載轉速	0-2800/min	
衝程長度	mm	29
在木材/金屬剖面/ 塑料管中的切割能力	mm	280/100/130
重量	kg	3.5

定義: 安全指南

下列定義描述了銘標誌術語的嚴重程度。請閱讀手冊並注意這些信號。



危險: 表示存在緊急危險情況，若不加以避免，將導致死亡或嚴重傷害。



警告: 表示存在潛在危險情況，若不加以避免，可能導致死亡或嚴重傷害。



小心: 表示存在潛在危險情況，若不加以避免，可能導致輕度或中度傷害。

注意: 表示存在不涉及人身傷害的情況，若不加以避免，可能導致財產損失。



表示存在觸電風險。



表示存在火災風險。



警告: 為降低受傷風險，請閱讀使用手冊。

電動工具通用安全警告



警告: 請閱讀電動工具隨附的所有安全警告、說明、圖示和規定。不遵照以下所列說明會導致電擊、火災和/或重傷。

保存所有警告和說明書以備將來查閱。

警告中的術語“電動工具”指的是電驅動(有線)電動工具或電池驅動(無線)電動工具。

1) 作業區域的安全

- 持作業區域清潔明亮。** 混亂和黑暗的區域容易發生事故。
- 請勿在易爆環境，如有易燃液體、氣體或粉塵的環境下操作電動工具。** 電動工具產生的火花會點燃粉塵或氣體。
- 操作電動工具時，請遠離兒童和旁觀者。** 注意力不集中會使您失去對工具的控制。

2) 電氣安全

- 電動工具插頭必須與插座相配。不得以任何方式改裝插頭。** 需接地的電動工具不能使用任何轉換插頭。未經改裝的插頭和箱配的插座將降低電擊風險。
- 避免人體接觸接地表面，如管道、散熱片和冰箱。** 如果您的身體接觸接地表面，將會增加電擊風險。
- 不得將電動工具暴露在雨中或潮濕環境中。** 水進入電動工具將增加電擊風險。
- 不得濫用軟線。不得用軟線搬運、拉動電動工具或拉拽軟線以拔出插頭。使軟線遠離熱源、油、銳邊或運動部件。** 受損或纏繞的軟線會增加電擊風險。
- 當在戶外使用電動工具時，請使用適合戶外使用的延長線。** 適合戶外使用的電線將降低電擊風險。
- 如果無法避免在潮濕環境下操作電動工具，應使用帶有剩餘電流裝置(RCD)保護的電源。** 使用 RCD 可降低電擊風險。

3) 人身安全

- 保持警覺，當操作電動工具時，請關注所從事的操作並保持清醒。** 當您感到疲倦，或在有藥物、酒精或治療反應時，請勿操作電動工具。在操作電動工具時，瞬間的疏忽會導致嚴重人身傷害。
- 使用個人防護裝置。始終佩戴護目鏡。** 防護裝置，諸如適當條件下使用翻成面具、防滑安全鞋、安全帽、聽力防護等裝置能減少人身傷害。

- c) **防止意外啟動。**在連接電源和/或電池盒、拿起或搬運工具前，請確保開關處於關斷位置。在搬運工具時，將手指放在開關上，或在開關接通時通電，會導致危險發生。
- d) **在電動工具接通前，請拿掉所有調節扳手。**遺留在電動工具旋轉零件上的扳手會導致人身傷害。
- e) **請勿過分伸展。時刻注意立足點和身體平衡。**這樣能在意外情況下更好地控制住電動工具。
- f) **妥善著裝。請勿穿寬鬆衣物或佩戴飾品。請讓您的頭髮和衣物遠離運動部件。**寬鬆衣物、飾品或長髮可能會被捲入運動部件。
- g) **如果提供了與排屑、集塵設備連接的裝置，請確保其連接完好且使用得當。**使用集塵設備可降低塵屑引發的危險。
- h) **不要因為頻繁使用工具而產生的熟悉感而掉以輕心，忽視工具的安全準則。**某個粗心的動作可能在瞬間導致嚴重的傷害。

4) 電動工具使用和注意事項

- a) **請勿強行使用電動工具。根據用途使用合適的電動工具。**選用合適、按照額定值設計的電動工具會使您的作業更高效、更安全。
- b) **如果開關不能接通或無法關斷電源，則請勿使用該電動工具。**任何無法通過開關來控制的電動工具都十分危險，必須進行維修。
- c) **在進行任何調節、更換附件或存放電動工具前，必須拔掉插頭和/或卸下電池包(如果可拆卸)。**這種防護安全措施降低了電動工具以外啟動的風險。
- d) **將閒置不用的電動工具存放在兒童所能觸及的範圍之外，同時不允許不熟悉電動工具且不了解操作說明的人員進行操作。**電動工具在未經培訓的使用者手中會十分危險。
- e) **維護電動工具。檢查運動部件是否未能對其或被卡住，部件是否出現破損以及是否存在音響電動工具運行的其他情況。如有損壞，應在使用前修理好電動工具。**許多事故是由維護不當的電動工具引發的。
- f) **保持切削刀具的鋒利和清潔。**維護良好並有鋒利切削刃的刀具不易卡住而且容易控制。
- g) **按照使用說明書來使用電動工具、附件和工具刀頭等，同時考慮作業條件。**將電動工具用於哪些與其用途不符的操作可能會導致危險。

- h) **保持手柄和握持表面乾燥、清潔，不得沾有油脂。**在意外的情況下，濕滑的手柄不能保證握持的安全和對工具的控制。

5) 維修

- a) **讓專業維修人員使用相同的備件來維修電動工具。**這將保證所維修的電動工具的安全。

往復鋸的附加安全指示



警告：務必使用獲得批准的呼吸保護設備。使用該工具可能會產生和/或出現粉塵，從而導致嚴重傷害。

- **當在切割附件可能碰到暗線或工具上的電線的場所進行作業時，請通過絕緣握持面來握住電動工具。**切割附件碰到一根帶電導線，可能會使電動工具的外露金部件帶電，從而讓操作人員面臨電擊危險。
- 關閉後，不得試圖用手指來阻止鋸片的轉動。
- 除非已關閉工具，否則不得將電鋸放在桌子或工作台上。在關閉工具後，鋸片在短時間內還會繼續轉動。
- 在使用專為切割木材而設計的鋸片時，要先去除工件中所有的釘子和金屬物件，然後再開始作業。
- 如有可能，請使用夾子和老虎鉗來緊固工件。
- 請勿試圖切割極小的工件。
- 身體不要過度前傾。確保自己始終穩固站立，尤其是在腳手架和梯子上。
- 務必用雙手握牢工具。
- 對於切割曲線和凹坑，請使用經過調整的鋸片。
- 僅使用與操作說明中給出的規格相一致的鋸片。
- 只能使用處於最佳狀態的鋒利鋸片；應丟棄有裂痕或彎折的鋸片並立即更換。
- 確保鋸片安裝牢固。



警告：我們建議使用漏電保護額定電流為30毫安或以下的漏電保護裝置。

剩餘風險

儘管遵守了相關安全法規，並採用了安全裝備，某些剩餘風險仍然無法避免。這些風險包括：

- 聽力損傷。
- 飛濺顆粒所造成的人身傷害風險。

- 使用時附件發熱而導致的灼傷風險。
- 長時間使用所引發的人身傷害風險。

工具上的標記

工具上印有以下圖形：



使用前請閱讀使用手冊。

日期碼的位置 (圖1)

包含製造年份的日期碼 (f) 被印在工具外殼上。

示例：

2014 XX XX

製造年份

包裝的物品

包裝的物品包括：

- 1把 軍刀鋸
- 1個 通用鋸片
- 1個 工具箱 (僅限於 K 型號)
- 1 本說明手冊
- 請檢查工具、部件或附件是否在運輸過程中受損。
- 操作前，請認真閱讀並掌握本手冊。

說明 (圖 1)



警告：切勿改裝本電動工具或其任何部件，否則可能會導致損壞或人身傷害。

- 變速開關
- 鋸片夾槓桿
- 電鋸底座

設計用途

您的 DWE305PK 軍刀鋸被設計用於進行專業的木材、金屬和塑料管材切割。集成式設計是該工具能夠在貼近難度區域的地方進行切割。

請勿在潮濕環境，或在存在有易燃液體或氣體的環境中使用該工具。

這些軍刀鋸是專業電動工具。

請勿讓兒童接觸該工具。缺乏經驗的操作人員應在監督之下使用該工具。

- 本產品不適合體力、感官或智力不足以及缺乏經驗、知識或技能的人員 (包括兒童) 使用，除非有能為他們的安全負責的監督人員在一旁監督。不得在無人監管的情況下讓兒童接觸本產品。

電氣安全

電機只適用一種工作電壓。請務必檢查電源電壓是否和銘牌上的電壓一致。



您的 DeWALT 已經根據 IEC60745 的要緊進行了雙重絕緣；因此無需接地線。



警告：必須在安裝了隔離變壓器的情況下才能使用 115V 的工具，而且要帶有在一次繞組和二次繞組之間的接地屏蔽。

如果電源線受損，必須由 DeWALT 維修機構提供的專門準備的電線進行更換。

使用延長線

如需使用延長線，請使用經過批准、適合本工具功率輸入的三線芯延長線 (參見**技術數據**)。最小導線尺寸為 1.5mm²；最大程度為 30m。

使用電纜捲筒時，務必將電纜全部拉出。

組裝和調整



警告：為降低受傷風險，請先關閉工具並切斷電源，然後再安裝和拆除附件，或是調整或更換設置，或進行維修。確保扳機開關處於“關閉”位置。意外啟動可能會導致人身傷害。

安裝鋸片 (圖 2)

1. 向上移動鋸片夾槓桿 (b)，鬆開鋸片夾。
2. 將鋸片插入支架 (d)，直到鋸片接合為止。安裝鋸片時，鋸齒的朝向上下左右皆可。
3. 向下移動鋸片夾槓桿 (b)，鎖定鋸片夾。
4. 要拆除鋸片，請進行逆向操作。

鋸片

材料	建議鋸片
有色金屬	細齒
非有色金屬	粗齒
木材	細齒
塑料	細齒
磚石結構	硬質合金

有多種專用鋸片可供選擇。



警告：選擇鋸片時，務必小心謹慎。

操作

使用說明



警告：務必遵守安全指示和適用法規。



警告：為降低造成嚴重人身傷害的風險，在進行任何調整、拆卸或安裝附件或配件前，切記關閉工具，並斷開工具電源。



警告：

- 確保有待切割的材料被牢牢固定。
- 僅向工具施加少許壓力即可，不得向鋸片施加側面壓力。如可能，請用電鋸底座抵住工件，然後再進行操作。這可以預防鋸片受損，同時讓工具免於卡頓和振動。
- 當鋸切牆面或門時，請留意其中管道和佈線的位置。務必通過手柄握持工具。
- 避免過載。
- 先讓鋸片空轉幾秒鐘，然後再開始切割。不得在鋸片出現卡頓或接觸材料時打開工具。

正確的雙手放置位置(圖 1, 4)



警告：為降低嚴重人身傷害的風險，務必如圖所示正確放置雙手。



警告：為降低嚴重人身傷害的風險，在預期會有突然的反作用力時，請務必握緊工具。

雙手的正確位置是一手握住後手柄 (g)，另一隻手握住前手柄 (e)。

啟動與關閉(圖 1)

如需開啟工具，請按下變速開關 (a)。按下變速開關的力度將決定工具的運轉速度。

如需關閉工具，請鬆開開關。

當完成作業和拔下插頭時，請務必關閉工具。

切割木材

1. 牢牢夾住工件，並移除其中的所有釘子和金屬物件。
2. 雙手握住工具，用電鋸底座抵住工件，然後開始作業。

在木材中進行潛入式切割(圖 3)

1. 將電鋸底座置於工件上，使得鋸片形成適當角度，以便進行潛入式切割。
2. 開啟工具，讓鋸片緩慢切入工件。確保電鋸底座始終與工件保持接觸。

盲切割

1. 對需要進行的盲切割進行測量和標記。
2. 使用較窄的鋸片，將電鋸底座置於工件上，確保鋸片位於切割線上。如有必要，例如，在受限的空間內，請使用電鋸底座的外邊緣作為引導。
3. 開啟工具，讓鋸片全速轉動並切入材料，牢牢握住工具並使其抵住工件。

切割金屬

在切割較薄的金屬時，務在工件兩側用木材將其穩定。這可確保切口光潔，防止損壞材料。

如需進行長距離的直線切割，請先在工件上畫好切割線。

沿切割線塗覆一層薄薄的潤滑油，然後開啟工具並沿著切割線進行切割。

切割塑料

務必保持低速運行。先進行試切，檢查該材料對熱是否敏感。



切割磚石結構



警告：在切割石棉水泥時，可能會產生有害粉塵。請遵循法定指導意見，並遵守由石棉水泥製造商給出的建議。

鋸切突出邊緣(圖 4)

使用倒裝的常規鋸片，切割突出邊緣。

平行切割(圖 5)

沿水平方向安裝鋸片，可將該工具用於貼近地板、牆面或天花板進行平行切割。

確保電鋸底座始終與工件保持接觸。

維護

您的 DeWALT 電動工具設計精良，可長期使用，僅需極少維護。如需持續獲得令人滿意的作業效果，則需要對工具進行適當保養和定期清潔。



警告：為降低受傷風險，請先關閉工具並切斷電源，然後再安裝和拆除附件，或是調整或更換設置，或進行維修。確保扳機開關處於“關閉”位置。意外啟動可能會導致人身傷害。



除塵

當在室內長時間使用該工具時，請使用適當的除塵設備，以遵守適用的除塵規定。



潤滑

如果該工具長期不用，請在工具表面塗覆少許潤滑油（例如，機油）。



清潔



警告：一旦看到通風口及其周圍積聚了塵屑，請用乾燥的空氣通過主機外殼吹掃灰塵和塵屑。進行該操作時，需佩戴經過認可的護目裝備和防塵面具。



警告：請勿使用溶劑或其他刺激性化學製品來清潔工具的非金屬部件。這些化學物質可能會侵蝕這些部位上所用的材料。請用布蘸上溫和的肥皂水進行擦拭。請勿讓任何液體滲入工具，請勿讓工具的任何部件浸沒在液體中。

可選配件



警告：除了由 DeWALT 提供的附件外，其他附件均未經過本產品的兼容性測試。若將這些附件與本工具搭配使用，將帶來安全隱患。為降低人身傷害的風險，僅將 DeWALT 推薦的附件與本產品搭配使用。

請向您的經銷商諮詢更多有關合適附件的諮詢。

保護環境



分類回收。本產品不得與普通生活垃圾一同丟棄。

如果您將來需要更換 DeWALT 產品，或您不再需要該產品，請勿將其與生活垃圾一同丟棄。對本產品進行分類回收。



對舊產品和包裝進行分類回收，可讓其中的材料得到回收再利用。對回收材料進行再利用有助於預防環境污染，減少對原料的需求。

當地的監管機構可能會在市內垃圾站向家庭提供電氣產品的分類回收服務，或是在您購買新產品時，由零售商提供該服務。

當產品達到其使用壽命時，DeWALT 會為 DeWALT 產品的回收再利用提供設施。如需利用該服務，請將您的產品交給任何授權維修代理機構。他們將代表我們進行回收。

您可以根據本手冊提供的地址，聯繫當地的 DeWALT 辦事處，查詢距離您最近的授權維修代理機構。或者，您也可以訪問我們的網站 www.2helpU.com，查詢 DeWALT 授權維修代理機構名單，以及我們售後服務的詳細資訊和聯繫方式。

售後服務與維修

DeWALT 維修中心擁有經過培訓的人員，能夠為顧客提供充分、可靠的產品服務。如果您通過未獲授權的維修中心進行維修，我們不會承擔任何責任。您可以參見產品包裝中的“聯繫中心定位器”宣傳單頁，通過熱線電話、網站或社交媒體聯繫我們，找到距離您最近的 DeWALT 服務中心。

進 口 商：	新加坡商百得電動工具(股)公司 台灣分公司
地 址：	台北市士林區德行西路33號2樓
電 話：	02-2834-1741
總 經 銷 商：	永安實業股份有限公司
地 址：	新北市三重區新北大道二段137號
電 話：	02-29994633

設備名稱:軍刀鋸 Equipment name		型號(型式):DWE305PK Type designation (Type)				
單元 Unit	限用物質及其化學符號 Restricted substances and its chemical symbols					
	鉛 Lead (Pb)	汞 Mercury (Hg)	鎘 Cadmium (Cd)	六價鉻 Hexavalent chromium (Cr ⁺⁶)	多溴聯苯 Polybrominated biphenyls (PBB)	多溴二苯醚 Polybrominated diphenyl ethers (PBDE)
機殼	○	○	○	○	○	○
馬達	○	○	○	○	○	○
開關	○	○	○	○	○	○
電源線	○	○	○	○	○	○
內部 配線	○	○	○	○	○	○

備考1.“超出0.1 wt %”及“超出0.01 wt %”係指限用物質之百分比含量超出百分比含量基準值。
 Note 1:“Exceeding 0.1 wt %” and “exceeding 0.01 wt %” indicate that the percentage content of the restricted substance exceeds the reference percentage value of presence condition.

備考2.“○”係指該項限用物質之百分比含量未超出百分比含量基準值。
 Note 2:“○” indicates that the percentage content of the restricted substance does not exceed the percentage of reference value of presence.

備考3.“-”係指該項限用物質為排除項目。
 Note 3: The “-” indicates that the restricted substance corresponds to the exemption.

컷쏘

DWE305PK

축하합니다!

DEWALT 공구를 선택해 주셔서 감사합니다. DEWALT 는 오랜 경험을 토대로 한 제품 개발 및 혁신을 통해 전문 사용자들이 가장 인정하는 기업으로 자리잡아 왔습니다.

기술 데이터

		DWE305PK
전압	V _{AC}	220
소비전력	W	1100
무부하 속도		0-2800
스트로크 길이	mm	29
나무/금속 프로필/플라스틱 튜브에서의 절삭력	mm	280/100/130
무게	kg	3.5

정의: 안전 지침

다음 정의는 각 경고 문구의 심각도를 설명합니다. 사용 설명서를 읽고 다음 기호들에 유의하십시오.



위험: 임박한 위험 상태를 나타내며, 방지하지 않으면 **사망 또는 심각한 부상을 초래합니다.**



경고: 잠재적 위험 상태를 나타내며, 방지하지 않으면 **사망 또는 심각한 부상을 초래할 수 있습니다.**



주의: 잠재적으로 위험한 상태를 나타내며, 방지하지 않으면 **경미하거나 가벼운 부상을 초래할 수 있습니다.**

참고: 신체 부상을 초래하지 않는 행위를 나타내며, 방지하지 않으면 **재산상의 손해가 발생할 수 있습니다.**



감전 위험을 나타냅니다.



화재 위험을 나타냅니다.



경고: 부상 위험을 줄이려면 사용 설명서를 숙지하십시오.

전동 공구에 관한 일반 안전 경고



경고! 안전 경고와 지시사항을 모두 읽으십시오. 경고와 지시 사항을 준수하지 않으면 감전, 화재 및/또는 심각한 부상을 초래할 수 있습니다.

향후 참고할 수 있도록 모든 경고 및 지시 사항을 보관해두십시오.

경고에서 사용된 "전동 공구"라는 용어는 주 공급 전원에 의해 전기가 공급되는(유선) 전동 공구 또는 충전식(무선) 전동 공구를 의미합니다.

1) 작업장 안전

- 작업 영역을 청결히 하고 조명을 밝게 유지하십시오.** 혼잡하거나 어두운 작업장에서는 사고가 발생하기 쉽습니다.
- 가연성 액체, 가스 또는 먼지 등 폭발 가능성이 있는 환경에서 전동 공구를 사용하지 마십시오.** 전동 공구에서 먼지나 가스를 발화시킬 수 있는 불꽃이 될 수 있습니다.
- 전동 공구로 작업하는 동안에는 어린이와 주변 사람들이 작업 영역에 가까이 들어오지 못하도록 하십시오.** 주변이 산만해져 통제력을 잃을 수 있습니다.

2) 전기 안전

- 전동 공구의 플러그는 콘센트와 형식이 일치해야 합니다.** 플러그를 어떤 방식으로든 절대 개조하지 마십시오. 접지된(지면 접지) 전동 공구에 어떤 어댑터 플러그도 사용하지 마십시오. 개조되지 않은 플러그 및 형식이 일치하는 콘센트를 사용하면 감전 위험이 줄어듭니다.
- 파이프, 라디에이터, 렌지 및 냉장고 등과 같이 접지된 표면에 신체가 접촉하지 않도록 하십시오.** 신체가 접지되어 있으면 감전 위험이 높아집니다.
- 전동 공구를 비 또는 습한 환경에 노출하지 않도록 주의하십시오.** 전동 공구에 물이 들어가면 감전 위험이 높아집니다.
- 코드를 함부로 다루지 마십시오.** 코드를 사용하여 전동 공구를 운반하거나 잡아당기거나 플러그를 뽑지 마십시오. 열, 오일, 날카로운 모서리 또는 움직이는 부품에서 멀리 떨어진 장소에 코드를 보관하십시오. 코드가 손상되거나 얽혀 있으면 감전 위험이 높아집니다.

- e) **전동 공구를 실외에서 사용할 때는 실외 사용에 적합한 연장 코드를 사용하십시오.** 실외 사용에 적합한 코드를 사용하면 감전 위험이 줄어듭니다.
- f) **어쩔 수 없이 습한 장소에서 전동 공구를 사용해야 하는 경우에는 누전 차단기(RCD)로 보호된 전원 공급 장치를 사용하십시오.** RCD를 사용하면 감전 위험이 줄어듭니다.

3) 신체 안전

- a) **전동 공구로 작업할 때는 방심하지 말고 작업에 주의하면서 상식을 따르십시오.** 피곤한 상태이거나 약물, 술, 치료제를 복용한 상태에서는 전동 공구를 사용하지 마십시오. 전동 공구를 사용하는 중에 주의력을 잃어 순간적으로 부상을 당할 수 있습니다.
- b) **신체 보호 장비를 착용하십시오. 항상 보안경을 착용하십시오.** 적절한 상황에서 방진 마스크, 미끄럼 방지 안전화, 안전모 또는 청력 보호 기구 등의 보호 장비를 사용하면 신체 부상 위험이 줄어듭니다.
- c) **의도하지 않은 장비 가동 방지. 전원 및/또는 배터리 팩에 연결한 상태로 공구를 선택 또는 운반할 때는 사전에 스위치가 꺼짐 위치에 있는지 반드시 확인하십시오.** 스위치가 꺼짐 위치에 있는 상태에서 스위치에 손가락이 닿은 상태로 전동 공구를 운반하거나 전동 공구에 전원을 공급하면 사고가 발생합니다.
- d) **전동 공구를 켜기 전에 모든 조정 키 또는 렌치를 제거하십시오.** 전동 공구의 회전 부품에 렌치나 키가 부착되어 있으면 부상을 당할 수 있습니다.
- e) **무리하게 팔을 뻗지 마십시오. 항상 올바른 자세로 서서 균형을 유지하십시오.** 그러면 예기치 않은 상황에서 전동 공구에 대한 제어력이 향상됩니다.
- f) **적절한 작업복을 착용합니다. 헐렁한 옷이나 장신구를 착용하지 마십시오. 머리카락, 옷 및 장갑이 움직이는 부품에 닿지 않도록 유의하십시오.** 헐렁한 옷, 장신구 또는 긴 머리가 움직이는 부품에 걸 수 있습니다.
- g) **먼지 배출 및 집진 시설 연결을 위한 장치가 제공된 경우, 이들 장치가 연결되어 적절히 사용되고 있는지 반드시 확인하십시오.** 집진 장치를 사용하면 먼지와 관련된 위험을 줄일 수 있습니다.

4) 전동 공구 사용 및 관리

- a) **전동 공구에 무리한 힘을 가하지 마십시오. 해당 용도에 맞는 올바른 전동 공구를 사용하십시오.** 올바른 전동 공구를 사용해야 설계된 속도로 작업을 더욱 안전하고 정확하게 수행할 수 있습니다.
- b) **켜지지 않거나 꺼지지 않는 경우 전동 공구를 사용하지 마십시오.** 스위치로 제어되지 않는 전동 공구는 위험하며 수리해야 합니다.
- c) **전동 공구를 조정하거나 액세서리를 변경하거나 보관하기 전에 전원 및/또는 배터리 팩에서 플러그를 빼십시오.** 이러한 예방적 안전 조치를 따라야 전동 공구가 갑자기 작동할 위험이 줄어듭니다.
- d) **사용하지 않는 전동 공구는 어린이의 손이 닿지 않는 곳에 보관하고, 전동 공구나 본 지시 사항에 익숙하지 않은 사람이 전동 공구를 절대 사용하지 못하게 하십시오.** 전동 공구는 훈련을 받지 않은 사용자가 다루면 위험합니다.
- e) **전동 공구 유지 보수. 움직이는 부품의 잘못된 정렬이나 바인딩, 부품 파손 및 기타 전동 공구의 작동에 영향을 미칠 수 있는 기타 모든 상태를 확인하십시오.** 손상된 부분이 있는 경우 사용하기 전에 전동 공구를 수리하십시오. 많은 사고는 전동 공구를 제대로 유지 보수하지 않아 발생합니다.
- f) **절단 공구를 예리하고 깨끗한 상태로 유지하십시오.** 절단지석 가장자리를 예리하게 잘 유지하면 절단기를 사용할 때 바인딩이 적고 다루기가 용이합니다.
- g) **작업 환경과 수행할 작업을 고려하여, 본 지시 사항에 따라 전동 공구, 액세서리 및 톨 비트 등을 사용하십시오.** 본 사용 설명서의 내용과 다른 용도로 전동 공구를 사용하면 위험한 상황이 발생할 수 있습니다.

5) 정비

- a) **자격을 갖춘 기술자가 동일 교체 부품을 사용하여 정비 작업을 수행해야 합니다.** 그래야 전동 공구의 안전이 보장됩니다.

컷쏘에 특정하게 적용되는 추가 안전 규칙



경고: 항상 승인된 호흡기 보호 장구를 사용하십시오. 본 공구의 사용으로 인하여 발생하거나 비산하는 먼지는 심각한 부상을 초래할 수 있습니다.

- 절삭 액세서리가 숨겨진 배선 또는 자체 코드에 접촉할 수 있는 작업을 수행할 때는 절연된 손잡이 표면만 닿도록 하여 전동 공구를 잡으십시오. "전류가 흐르는" 전선에 접촉된 절삭 액세서리는 전동 공구의 노출된 금속 부품을 "전류가 흐르는" 상태로 만들어 작업자를 감전시킬 수 있습니다.
- 스위치를 끈 뒤, 절대 손가락으로 톱날을 눌러 멈추려 하지 마십시오.
- 스위치를 끄지 않은 채 테이블이나 작업대에 톱을 올려 놓지 마십시오. 공구의 스위치를 끈 뒤에도 잠깐 동안 톱날이 계속 작동합니다.
- 목재 절삭 전용으로 설계된 톱날을 사용할 때는 작업을 시작하기 전에 가공물에서 못과 금속 물체를 모두 제거하십시오.
- 클램프나 바이스가 있으면 항상 이를 사용해 가공물을 견고하게 고정하십시오.
- 너무 작은 가공물을 톱으로 절삭하려 하지 마십시오.
- 앞으로 너무 많이 숙이지 마십시오. 특히 발판 및 사다리 위에서는 반드시 안정적인 자세를 유지하십시오.
- 톱은 항상 두 손으로 드십시오.
- 곡선 및 포켓 절단을 위해서는 알맞은 톱날을 사용하십시오.
- 이 작동 지침에 포함되어 있는 사양에 맞는 톱날만 사용하십시오.
- 완벽한 작업 조건에서 날이 선 톱날만 사용해야 합니다. 금이 가거나 휘어진 톱날은 즉시 폐기하고 교체해야 합니다.
- 톱날이 안정적으로 고정되어 있는지 확인하십시오.



경고: 정격 잔류 전류가 30mA 미만인 누전 차단기(RCD)를 사용하는 것이 좋습니다.

기타 발생 가능한 위험

관련된 안전 규정을 준수하고 안전 장치를 사용한다고 해도 특정한 위험은 피할 수 없습니다. 이러한 위험은 다음과 같습니다.

- 청력 손상.
- 파편 날림으로 인한 신체 부상 위험.
- 작업 중 뜨거워지는 액세서리로 인한 화상 위험.
- 장시간 사용으로 인한 신체 부상의 위험.

공구에 표시된 마크

공구에는 다음과 같은 그림이 있습니다.



사용 전에 사용 설명서의 내용을 숙지하십시오.

날짜 코드 위치(그림 1)

날짜 코드(①)에는 제조년도가 포함되어 명판에 인쇄되어 있습니다.

예:

2021 XX XX

제조년도

포장 내용물

포장에는 다음 내용물이 들어 있습니다.

- 1 컷쏘 본체
- 1 톱날 (일반용도)
- 1 공구박스(K 모델만 해당)
- 1 사용 설명서
- 운반 중에 발생할 수 있는 공구, 부품 또는 액세서리의 손상 여부를 확인하십시오.
- 작동 전에 시간을 내어 본 사용 설명서를 읽고 숙지하십시오.

설명(그림 1)



경고: 전동 공구 또는 전동 공구의 어떤 부품도 절대 개조하지 마십시오. 제품이 파손되거나 신체 부상을 당할 수도 있습니다.

- a. 가변 속도 스위치
- b. 톱날 클램프 레버
- c. 톱 슈

용도

DWE305PK 컷쏘는 목재, 금속 및 플라스틱제 튜브의 전문적인 톱질을 위해 설계되었습니다. 컴팩트한 디자인으로 인해 작업하기 까다로운 부분을 아주 가까이에서 절단할 수 있습니다.

습한 환경이나 가연성 액체 또는 가스가 있는 장소에서 사용하지 **마십시오.**

이 컷쏘는 전문가용 전용 공구입니다.어린이가 이 공구를 만지지

않도록 하십시오. 경험이 없는 작업자가 이 공구를 사용할 때는 감독자의 지도가 필요합니다.

- 본 제품은 안전 책임을 맡고 있는 사람이 감독을 하고 있지 않는 한 경험, 지식 또는 기술이 부족하고 신체적, 감각적 또는 정신적 능력이 미약한 사람(어린이 포함)이 사용하도록 고안된 것이 아닙니다. 이 제품과 함께 어린이만 혼자 두어서는 안됩니다.

전기 안전

전기 모터는 한 가지 전압에만 맞추어 설계되었습니다. 전원이 전동기 네임 플레이트에 기재된 전압과 일치하는지 항상 확인하십시오.



DEWALT 공구는 EN 60745에 따라 이중 절연되어 있으므로, 접지선이 필요하지 않습니다.



경고: 115 V 기기는 1차 권선과 2차 권선 사이에 접지판이 있는 페일 세이프 절연 변압기를 통해 작동되어야 합니다.

전원 코드가 손상된 경우에는 DEWALT 서비스 센터를 통해 특수 제작된 코드로 교체해야만 합니다.

연장 케이블 이용

연장 케이블이 필요할 경우 이 공구의 소비전력에 맞는 승인된 3 코어 연장 케이블을 사용하십시오(**기술 데이터** 참조). 최소 도체 크기는 1.5 mm², 최대 길이는 30 m입니다.

케이블 릴을 사용할 때는 항상 케이블을 완전히 푸십시오.

조립 및 조정



경고: 액세서리를 설치 및 제거하기 전, 구성 상태를 조정하거나 변경하기 전, 또는 수리 시 부상의 위험을 줄이려면 장치를 끄고 전원으로부터 연결을 차단하십시오. 트리거 스위치가 꺼짐 위치에 있는지 반드시 확인하십시오. 공구가 갑자기 작동하여 부상을 당할 수 있습니다.

톱날 장착(그림 2)

1. 톱날 클램프 레버(b)를 위로 당겨 톱날 클램핑 메커니즘을 해제합니다.

2. 완전히 결합될 때 까지 톱날을 홀더(d)에 끼우십시오. 톱니가 아래 또는 위, 또는 왼쪽 또는 오른쪽을 향하도록 톱날을 설치할 수 있습니다.
3. 톱날 클램프 레버(b)를 아래로 이동하여 톱날 클램핑 메커니즘을 잠급니다.
4. 톱날을 분리하려면 반대 순서로 진행합니다.

톱날

작업물	권장되는 톱날
철금속	미세 톱니
비철금속	거친 톱니
목재	거친 톱니
플라스틱	미세 톱니

석재 카바이드팁 톱니

옵션으로 다양한 전용 톱날을 사용할 수 있습니다.



경고: 항상 주의깊게 톱날을 선택하십시오.

조작

사용 지침



경고: 안전 지시 사항과 해당 규정을 항상 준수하십시오.



경고: 심각한 신체 부상의 위험을 줄이려면 부착물 또는 액세서리를 조정하거나 제거/설치하기 전에 공구를 끄고 전원에서 공구 플러그를 빼십시오.



경고: 톱으로 자를 재료가 제자리에 장착되어 있는지 확인하십시오.

• 공구에 가벼운 압력만 가하고 톱날에 촉압을 가하지 마십시오. 가능할 경우, 톱 슈를 작업대 쪽으로 누르면서 작업하십시오. 이렇게 하면 날의 손상을 방지하고 공구가 핵 움직여 진동하는 것을 멈추 줍니다.

• 벽이나 문에서 톱질을 할 때는, 파이프 구조 및 배선 위치를 알아 두십시오. 항상 공구의 핸들을 잡으십시오.

• 과부하를 피하십시오.

• 절단을 시작하기 전에 몇 초 동안 날이 자유롭게 돌리십시오. 톱날이 가공물에 걸렸거나 재료에 접촉된 경우에는 절대 공구 전원을 켜지 마십시오.

올바른 손의 위치(그림 1, 4)



경고: 심각한 신체 부상의 위험을 줄이려면 **항상** 그림과 같이 올바른게 손을 위치하십시오.



경고: 심각한 신체 부상의 위험을 줄이려면, **항상** 급작스러운 반응을 예상하고 확실하게 잡으십시오.

손 위치는 한 손을 백 핸들(g)에 놓고 다른 손은 앞쪽 그립(e)을 쥐는 것이 바람직합니다.

전원 켜기 및 끄기(그림 1)

공구를 작동하려면 가변 속도 스위치(a)를 누릅니다. 가변 속도 스위치를 누르는 힘에 따라 공구 속도가 결정됩니다.

공구를 멈추려면 스위치를 풀어 줍니다.

작업이 끝나면 플러그를 빼기 전에 항상 공구 스위치를 꺼진 위치로 놓습니다.

목재 절단

1. 클램프로 가공물을 견고하게 고정하고 못과 금속 물체를 모두 제거하십시오.
2. 공구를 두 손으로 잡고 슈를 가공물에 대고 누르면서 작업하십시오.

목재 플런지 절단(그림 3)

1. 톱날이 플런지 절단에 적합한 각도를 형성하도록 가공물에 슈를 위치시키십시오.
2. 공구 스위치를 켜고 날을 천천히 넣으십시오. 톱 슈가 항상 가공물과 닿도록 해야 합니다.

포켓 절단

1. 원하는 포켓 절단 치수를 측정해 이를 표시하십시오.
2. 좁은 톱날을 사용하여, 가공물에 톱수 하단을 받치고 톱날이 절단선에 위치하는지 확인하십시오. 필요할 경우, 예를 들어 밀폐된 공간에서는 가이드라인 대로 톱 슈의 외측날을 사용하십시오.
3. 공구 스위치를 켜고 최대 속도에서 날을 넣고, 가공물에 대해 공구를 단단히 잡으십시오.

금속 절삭

얇은 금속을 절삭할 때는 항상 양쪽에 나무를 사용하여 가공물을 안정되게 하십시오. 이렇게 해야 절삭이 깔끔하고 재료 손상을 방지할 수 있습니다.

긴 일직선 절단의 경우, 가공물에 선을 긁습니다.

절단선에 따라 얇은 윤활유 막을 도포하고 공구 스위치를 켜 다음 절단선을 따라가십시오.

플라스틱 절단

항상 속도를 줄이고 작업하십시오. 시험 절단을 수행하여 재료가 열에 민감한지 확인하십시오.



석재 절단



경고: 석면 시멘트에 톱을 사용할 때는 유해 먼지가 발생할 수 있습니다. 명시된 가이드라인을 따르고 석면 시멘트 제조업체에서 발행한 권고 사항을 준수하십시오.

돌출된 가장자리까지 톱질할 때 (그림 4)

거꾸로 설치된 기존의 날을 사용하여 돌출된 가장자리까지 절단하십시오.

평행 절단(그림 5)

수평 방향으로 날을 설치한 상태에서, 마루, 벽 또는 천장 가까이에서 평행 절단을 위해 공구를 사용할 수 있습니다.

톱 슈가 항상 가공물과 닿도록 해야 합니다.

유지 보수

DEWALT 전동 공구는 최소한의 유지 보수로 장기간에 걸쳐 작업이 가능하도록 설계되어 있습니다. 만족스러운 연속 작동은 적절한 공구 관리와 정기적인 청소에 따라 그 성능이 달라질 수 있습니다.



경고: 액세서리를 설치 및 제거하기 전, 설정 상태를 조정하거나 변경하기 전, 또는 수리 시 부상의 위험을 줄이려면 장치를 끄고 전원으로부터의 연결을 차단하십시오. 트리거 스위치가 꺼진 위치에 있는지 반드시 확인하십시오. 공구가 갑자기 작동하여 부상을 당할 수 있습니다.



먼지 배출

공구를 장시간 실내에서 사용할 때는, 먼지 배출에 관한 해당 지침에 따라 설계된 집진기를 사용하십시오.



윤활방법

공구를 장기간 사용하지 않을 경우, 약간의 오일로 톱날을 코팅하십시오(예, 기계유).



청소



경고: 톱공구 속이나 주변에 먼지가 쌓여있는 것이 보이면 가능한 한 자주 건조한 공기를 이용하여 몸체에서 먼지를 불어내십시오. 이 절차를 수행할 때에는 승인된 눈 보호 장구 및 승인된 방진 마스크를 착용하십시오.



경고: 공구의 금속 이외 부품을 청소할 때는 용제 등의 강력한 화학약품을 절대 사용하지 마십시오. 그렇지 않으면 이러한 부분에 사용된 재료가 약해질 수 있습니다. 형겅에 물과 순한 비누를 적셔 닦아주십시오. 공구 내부에 액체를 넣거나 공구 부품을 액체에 담그는 행동은 절대 금물입니다.

선택 액세서리



경고: DEWALT에서 제공되지 않은 액세서리는 이 제품에 테스트되지 않았으므로, 그러한 액세서리를 이 공구와 함께 사용하면 위험할 수 있습니다. 신체 부상의 위험을 줄이려면 본 제품에 DEWALT 권장 액세서리만 사용해야 합니다.

해당 액세서리에 대한 자세한 정보는 판매 대리점으로 문의하십시오.

환경 보호



분리 수거. 본 제품을 일반 가정용 쓰레기로 처리하면 안됩니다.



DEWALT 제품을 교체해야 하거나 더 이상 쓸모가 없어졌다고 판단될 때는 본 제품을 가정용 쓰레기와 함께 처리하지 마십시오. 이 제품은 분리 수거하십시오.



사용하던 제품과 포장을 분리 수거하면 자원을 재활용 및 재사용할 수 있습니다. 재활용 자원을 이용하면 환경 오염이 방지되고 고철 자원에 대한 수 있습니다.

지역에 따라 가정용 가전제품을 분리 수거하는 규정이 마련되어 있거나 새로운 제품을 구입할 때 판매점에서 폐기 방법을 알려줄 수 있습니다.

DEWALT는 사용이 끝난 DEWALT 제품을 수집하여 재활용하기 위한 시설을 운영하고 있습니다. 이 서비스를 활용하려면 당사가 폐제품 수거를 위임한 공인 수리 대리점에 제품을 반환해 주십시오.

정비 및 수리

DeWALT 는 고객들에게 가장 효율적이고 신뢰할 수 있는 서비스를 제공하기 위하여 훈련된 직원들로 센터를 구성하고 있습니다

사용자의 안전 및 제품의 신뢰성을 보장하기 위하여 제품의 정비, 유지 보수 및 수리는 반드시 공인된 서비스센터에서 수행해야 합니다. 자격이 없는 곳으로부터 받은 제품의 정비 및 수리는 사용자의 부상 위험 및 불이익을 초래할 수 있습니다. 가까운 DeWALT 서비스센터의 위치를 알아보려면, 제품과 함께 동봉된 전단을 통해 전화번호, 홈페이지 주소 및 기타 연락처 등을 확인할 수 있습니다.

