

DEWALT®

www.DEWALT.com

DW872

English

6

한국어

12

Fig. A
그림 A

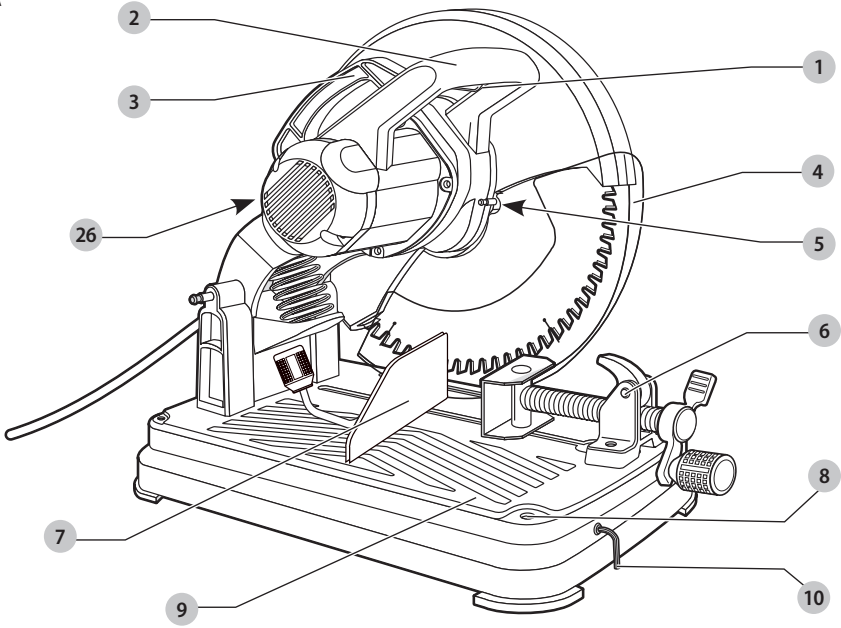


Fig. B1
그림 B1

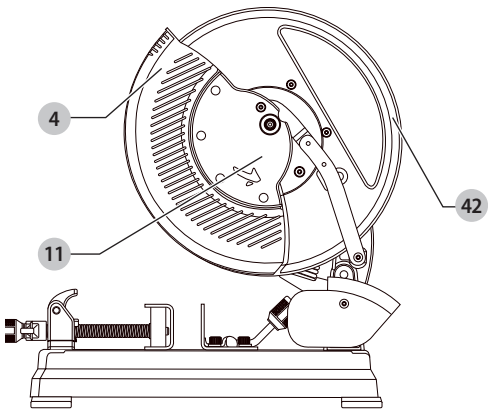


Fig. B1
그림 B2

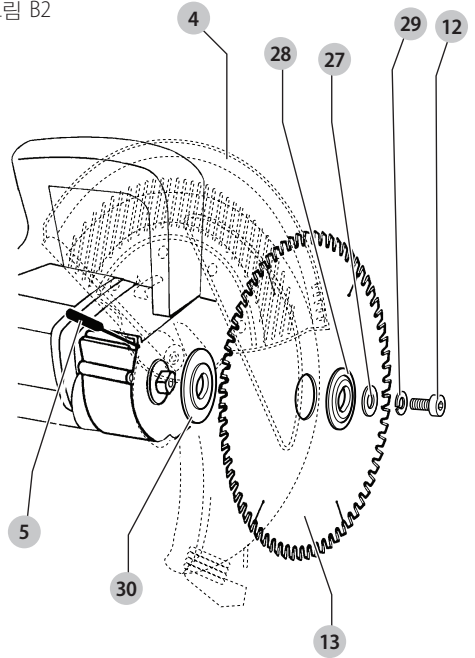


Fig. C1
그림 C1

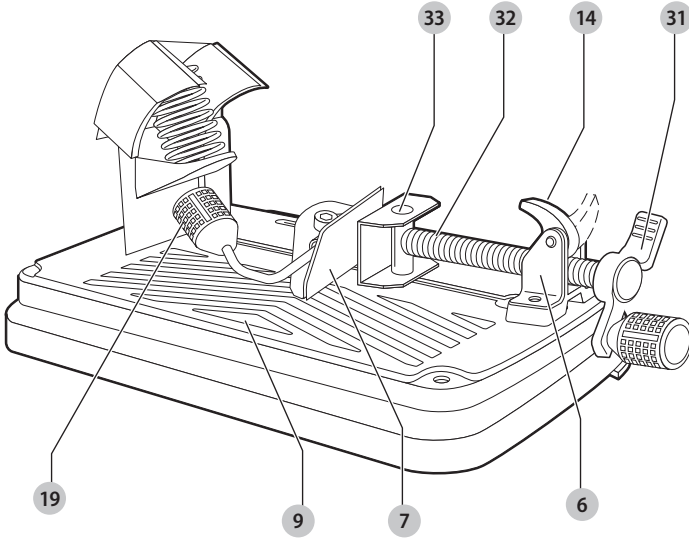


Fig. C2
그림 C2

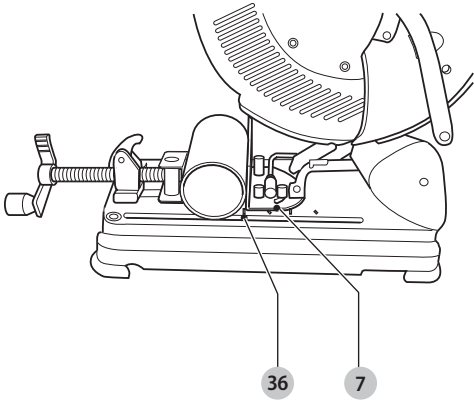


Fig. C3
그림 C3

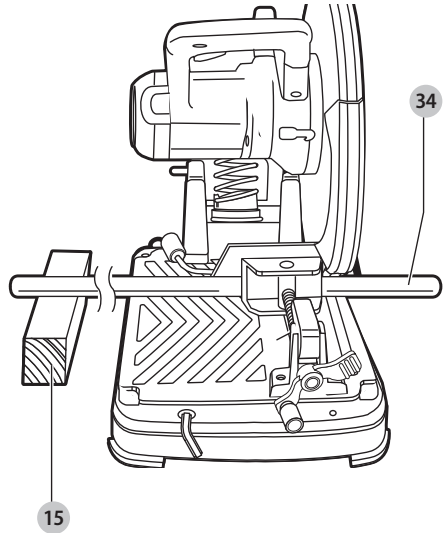


Fig. C4
그림 C4

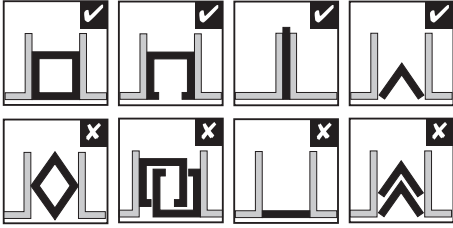


Fig. C5
그림 C5

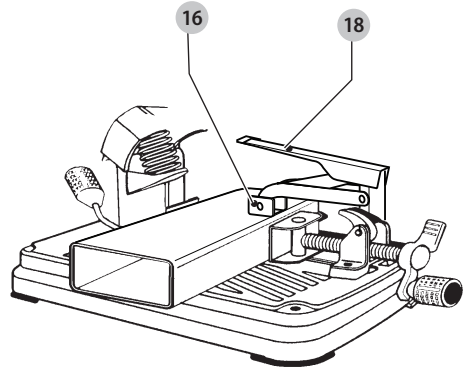


Fig. C6
그림 C6

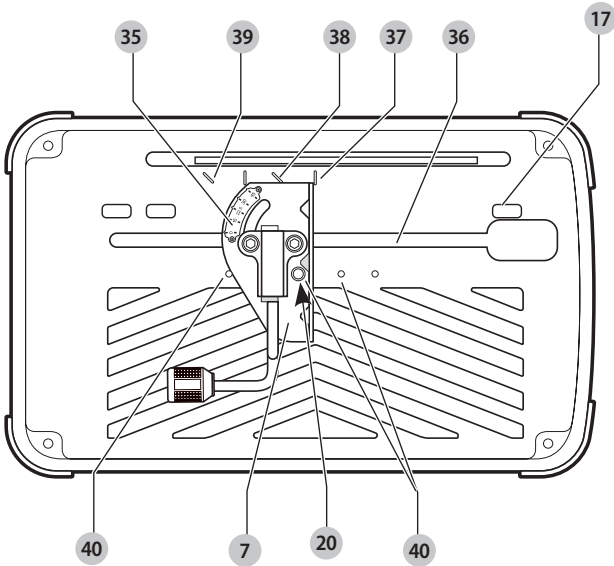


Fig. D1
그림 D1

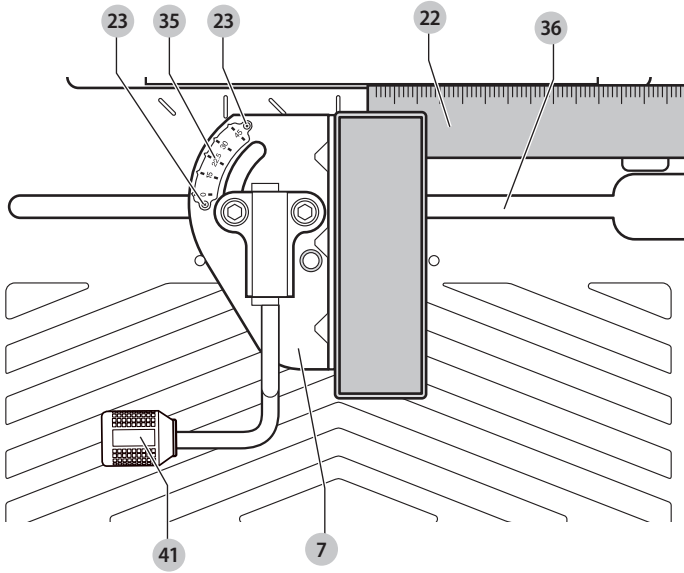


Fig.D2
그림 D2

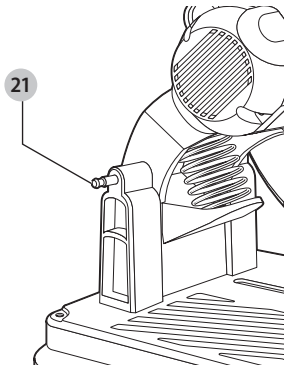


Fig. E
그림 E

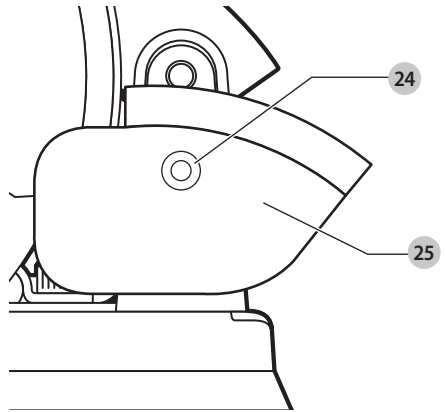


Fig. F
그림 F

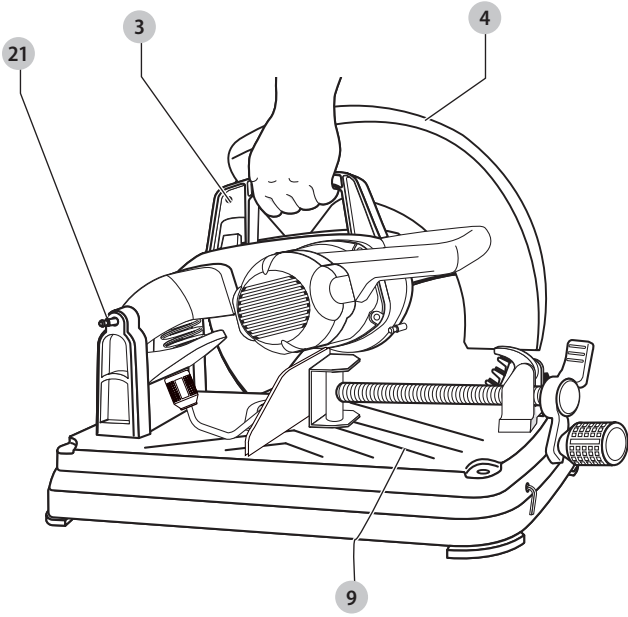
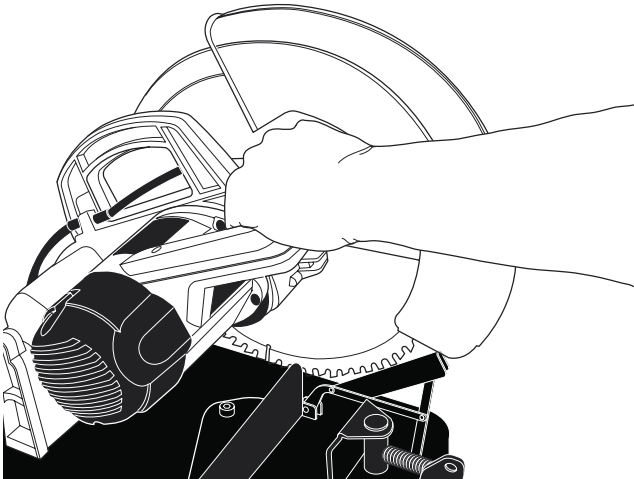


Fig. G
그림 G



TOOTHED CHOPSAW

DW872

Congratulations!

You have chosen a DEWALT tool. Years of experience, thorough product development and innovation make DEWALT one of the most reliable partners for professional power tool users.

Technical Data

	DW872	
Voltage	V _{AC}	220–240
Power Input	W	2200
No-load speed	min ⁻¹	1300
Blade diameter	mm	355
Blade bore	mm	25.4
Blade body thickness	mm	1.8
Blade kerf thickness	mm	2.2
No. of blade teeth		66
Cross-cutting capacity at 90°		
circular	mm	130
square	mm	100 x 100
rectangular	mm	75 x 130
angular	mm	92 x 92
Cross-cutting capacity at 45°		
circular	mm	79
square	mm	79 x 79
rectangular	mm	79 x 123
angular	mm	56 x 56
Weight	kg	22.5

Definitions: Safety Guidelines

The definitions below describe the level of severity for each signal word. Please read the manual and pay attention to these symbols.



DANGER: Indicates an imminently hazardous situation which, if not avoided, **will** result in **death or serious injury**.



WARNING: Indicates a potentially hazardous situation which, if not avoided, **could** result in **death or serious injury**.



CAUTION: Indicates a potentially hazardous situation which, if not avoided, **may** result in **minor or moderate injury**.

NOTICE: Indicates a practice **not related to personal injury** which, if not avoided, **may** result in **property damage**.



Denotes risk of electric shock.



Denotes risk of fire.

Safety Instructions



WARNING: When using electric tools basic safety precautions should always be followed to reduce the risk of fire, electric shock and personal injury including the following.

Read all these instructions before attempting to operate this product and save these instructions.

SAVE THIS MANUAL FOR FUTURE REFERENCE

General Safety Rules

- Keep work area clear.**
 - Cluttered areas and benches invite injuries.
- Consider work area environment.**
 - Do not expose the tool to rain. Do not use the tool in damp or wet conditions. Keep the work area well lit (250–300 Lux). Do not use the tool where there is a risk of causing fire or explosion, e.g., in the presence of flammable liquids and gases.
- Guard against electric shock.**
 - Avoid body contact with earthed surfaces (e.g., pipes, radiators, cookers and refrigerators). When using the tool under extreme conditions (e.g., high humidity, when metal swarf is being produced, etc.), electric safety can be improved by inserting an isolating transformer or a (FI) earth-leakage circuit-breaker.
- Keep other persons away.**
 - Do not let persons, especially children, not involved in the work, touch the tool or the extension cord and keep them away from the work area.
- Store idle tools.**
 - When not in use, tools must be stored in a dry place and locked up securely, out of reach of children.
- Do not force the tool.**
 - It will do the job better and safer at the rate to which it was intended.
- Use the right tool.**
 - Do not force small tools to do the job of a heavy duty tool. Do not use tools for purposes not intended; for example do not use circular saws to cut tree limbs or logs.
- Dress properly.**
 - Do not wear loose clothing or jewellery, as these can be caught in moving parts. Non-skid footwear is recommended when working outdoors. Wear protective hair covering to contain long hair.
- Use protective equipment.**
 - Always use safety glasses. Use a face or dust mask if working operations create dust or flying particles. If these particles might be considerably hot, also wear a heat-resistant apron. Wear ear protection at all times. Wear a safety helmet at all times.

10. Connect dust extraction equipment.

- If devices are provided for the connection of dust extraction and collecting equipment, ensure these are connected and properly used.

11. Do not abuse the cord.

- **Never yank the cord to disconnect it from the socket.** Keep the cord away from heat, oil and sharp edges. Never carry the tool by its cord.

12. Secure work.

- Where possible use clamps or a vice to hold the work. It is safer than using your hand and it frees both hands to operate the tool.

13. Do not overreach.

- Keep proper footing and balance at all times.

14. Maintain tools with care.

- Keep cutting tools sharp and clean for better and safer performance. Follow instructions for lubricating and changing accessories. Inspect tools periodically and if damaged have them repaired by an authorized service facility. Keep handles and switches dry, clean and free from oil and grease.

15. Disconnect tools.

- When not in use, before servicing and when changing accessories such as blades, bits and cutters, disconnect tools from the power supply.

16. Remove adjusting keys and wrenches.

- Form the habit of checking to see that adjusting keys and wrenches are removed from the tool before operating the tool.

17. Avoid unintentional starting.

- Do not carry the tool with a finger on the switch. Be sure that the tool is in the "off" position before plugging in.

18. Use outdoor extension leads.

- Before use, inspect the extension cable and replace if damaged. When the tool is used outdoors, use only extension cords intended for outdoor use and marked accordingly.

19. Stay alert.

- Watch what you are doing. Use common sense. Do not operate the tool when you are tired or under the influence of drugs or alcohol.

20. Check for damaged parts.

- Before use, carefully check the tool and mains cable to determine that it will operate properly and perform its intended function. Check for alignment of moving parts, binding of moving parts, breakage of parts, mounting and any other conditions that may affect its operation. A guard or other part that is damaged should be properly repaired or replaced by an authorized service centre unless otherwise indicated in this instruction manual. Have defective switches replaced by an authorized service centre. Do not use the tool if the switch does not turn it on and off. Never attempt any repairs yourself.



WARNING: The use of any accessory or attachment or performance of any operation with this tool other than those recommended in this instruction manual may present a risk of personal injury.

21. Have your tool repaired by a qualified person.

- This electric tool complies relevant safety rules. Repairs should only be carried out by qualified persons using original spare parts; otherwise this may result in considerable danger to the user.

Additional Safety for Metal Saws

- Do not use saw blades which are damaged or deformed;
- Use only saw blades recommended by the manufacturer which conform to EN 847-1;
- Do not use saw blades manufactured from high speed steel;
- Wear suitable personal protective equipment when necessary, this could include:
 - hearing protection to reduce the risk of induced hearing loss;
 - eye protection;
 - respiratory protection to reduce the risk of inhalation of harmful dust;
 - gloves for handling saw blades (saw blades shall be carried in a holder wherever practicable) and rough material;

Maintenance and Servicing

- Operator's instructions on factors influencing exposure to noise (e.g. use of saw blades designed to reduce the emitted noise, saw blade and machine maintenance);
- Report faults in the machine, including guards or saw blades, as soon as they are discovered.

Safe Operation

- Select the correct saw blade for the material to be cut;
- Do not use the saw to cut other materials than those recommended by the manufacturer;
- Lifting and transportation information. To lift and support the metal saw see Figure F.
- Do not use the saw without the guards in position, in good working order and properly maintained;
- Keep the floor area around the machine level, well maintained and free of loose materials e.g. chips and cut-offs;
- Provide adequate general or localised lighting;
- The operator is adequately trained in the use adjustment and operation of the machine;
- Use correctly sharpened saw blades. Observe the maximum speed marked on the saw blade;
- Ensure that any spacers and spindle rings used are suitable for the purpose as stated by the manufacturer;
- Refrain from removing any cut-offs or other parts of the workpiece from the cutting area while the machine is running and the saw head is not in the rest position;
- Ensure that the machine is always stable and secure. (e.g. fixed to a bench)

- To support long pieces see Figure C3.



WARNING: We recommend the use of a residual current device with a residual current rating of 30mA or less.

Residual Risks

The following risks are inherent to the use of saws:

- Injuries caused by touching the rotating parts
- Injuries caused by disruption of the cutting blade.

These risks are most evident:

- Withing the range of operation
- Within the range of the rotating machine parts

In spite of the application of the relevant safety regulations and the implementation of safety devices, certain residual risks cannot be avoided. These are:

- Impairment of hearing.
- Risk of accidents caused by the uncovered parts of the rotating saw blade.
- Risk of injury when changing the blade.
- Risk of squeezing fingers when opening the guards.

Electrical Safety

The electric motor has been designed for one voltage only. Always check that the power supply corresponds to the voltage on the rating plate.



Your DEWALT tool is double insulated in accordance with IEC61029; therefore no earth wire is required.



WARNING: 220-240V units have to be operated via a fail-safe isolating transformer with an earth screen between the primary and secondary winding.

If the supply cord is damaged, it must be replaced by a specially prepared cord available through the DEWALT service organisation.

Using an Extension Cable

If an extension cable is required, use an approved 3-core extension cable suitable for the power input of this tool (see **Technical Data**). The minimum conductor size is 1.5 mm²; the maximum length is 30 m.

When using a cable reel, always unwind the cable completely.

Package Contents

The package contains:

- 1 Toothed Chopsaw
- 1 Cutting blade
- 1 Hex key
- 1 Vertical clamp
- 1 Instruction manual
- Check for damage to the tool, parts or accessories which may have occurred during transport.
- Take the time to thoroughly read and understand this manual prior to operation.

Markings on Tool

The following pictograms are shown on the tool:



Read instruction manual before use.



Wear ear protection.



Wear eye protection.

Date Code Position (Fig. A)

The date code **26**, which also includes the year of manufacture, is printed into the housing.

Example:

2018 XX XX

Year of Manufacture

Description (Fig. A)



WARNING: Never modify the power tool or any part of it. Damage or personal injury could result.

- 1 On/off switch
- 2 Main handle
- 3 Carrying handle
- 4 Guard
- 5 Spindle lock
- 6 Material clamp
- 7 Fence
- 8 Mounting holes
- 9 Cutting table
- 10 Hex key

Intended Use

Your professional DEWALT toothed chopsaw has been designed for the cutting of variously shaped metal materials: water and gas pipes, angular iron, U-profiles, T-bars, rods, bolts, etc. Using the appropriate cutting blade, it can cut hot and cold rolled carbon steel, construction steels according to DIN 1700 (ST33, ST37-2, ST52-3), non-ferrous metals (i.e. aluminum, brass, copper), stainless steel and synthetic materials (i.e. PVC). This tool is not intended to be used in cast-iron, brick, tile or ceramic materials. The tool is never to be used for cutting magnesium work pieces

DO NOT use under wet conditions or in the presence of flammable liquids or gases.

These chopsaws are professional power tools.

DO NOT let children come into contact with the tool.

Supervision is required when inexperienced operators use this tool.

- **Young children and the infirm.** This appliance is not intended for use by young children or infirm persons without supervision.

- This product is not intended for use by persons (including children) suffering from diminished physical, sensory or mental abilities; lack of experience, knowledge or skills unless they are supervised by a person responsible for their safety. Children should never be left alone with this product.

ASSEMBLY AND ADJUSTMENTS

- !** **WARNING:** To reduce the risk of serious personal injury, turn tool off and disconnect tool from power source before making any adjustments or removing/installing attachments or accessories. An accidental start-up can cause injury.

Bench Mounting (Fig. A)

Mounting holes **8** have been provided to facilitate bench mounting.

Removing and Fitting a Cutting Blade (Fig. A, B1, B2)

1. With the arm in the rest position, use the lip **42** to slide the guard **4** back. Leave the guard retracted (Fig. B1).
2. Press and hold down the spindle lock **5** (Fig. B2).
3. Rotate the cutting blade until it locks.
4. Rotate the bolt cover **11** out of the way (Fig. B1).
5. Using the hex key **10**, remove the bolt **12** by turning counterclockwise and then remove the lock washer **29**, the flat washer **27** and the retaining flange **28** (Fig. B2).
6. Replace the cutting blade **13**. Make sure that the new blade is placed onto the flange **30** in correct rotational direction.
7. Secure the blade with the retaining flange **28**, the flat washer **27** and lock washer **29** and the bolt **12**.
8. Move the guard back down and release the spindle lock **5**.

- !** **WARNING:** The teeth of a new blade are very sharp and can be dangerous.

Clamping the Workpiece in Position (Fig. A, C1–C6)

The tool is equipped with a material clamp **6** (Fig. A).

1. Pull the lever **14** toward the handle **31** (Fig. C1).
2. Push the clamp shaft **32** forward until the jaw **33** is almost touching the workpiece.
3. Press the lever **14** toward the jaw **33** until it engages with the clamp shaft **32**.
4. Rotate the handle **31** clockwise and clamp the workpiece securely.
5. To release the workpiece, rotate the handle **31** counterclockwise.

- !** **WARNING:**
- Clamp the workpiece as far towards the operator as possible.
 - Set the clamping position for cutting downstroke as long as the thickness of the workpiece is not exceeding the maximum downstroke cutting capacity (Fig. C2).

- The maximum downstroke cutting capacity is marked by slot **36**.
- Continue setting the clamping position as described below.
- Always attempt to clamp the workpiece in a way to minimize the number of teeth cutting through the material (Fig. C4).
- Support long workpieces using a piece of wood **15** (Fig. C3). Do not clamp the cut off end **34**.

Vertical Clamp (Fig. C5, C6)

The vertical clamp **16** is used for upstroke cutting of wide and irregular shaped materials (Fig. C5).

1. Insert the vertical clamp in the hole **17** in the base (Fig. C6) until the clamp **16** rests on the workpiece (Fig. C5).
2. Pull the lever **18** down to clamp the workpiece.
3. Lift the lever **18** to release the clamp **16**.

- !** **WARNING:** Always use the vertical clamp when cutting upstroke.

Quick Travel Feature (Fig. C1)

The clamp has a quick travel feature.

- To release the clamp, rotate the handle **31** one or two turns counterclockwise and pull the lever **14** toward the handle **31**.

Setting the Clamping Position (Fig. C1, C6)

The clamping position can be set to match the cutting blade.

1. Pull the clamp lever **19** toward the handle **31** (Fig. C1) and pull out the location pin **20** to release the fence **7** (Fig. C6).
2. Move the fence **7** as required.
3. Push the clamp lever **19** back down to the cutting table **9** to lock the fence **7** (Fig. C1).

- !** **WARNING:** If the clamp lever resistance is too light, slightly tighten the two adjusting bolts on the fence.


Setting the Angle of Cut (Fig. C1, C6)

The tool can be used for mitre cuts up to 45°.

1. Pull the clamp lever **19** toward the handle **31** to release the fence **7** (Fig. C1).
2. Set the fence **7** to the required angle. The angle can be read on the scale **35**. Use the edge of the slot **36** as a reference (Fig. C6).
3. Push the clamp lever **19** back down to the cutting table **9** to lock the fence (Fig. C1).
4. If additional clamping is required, the angle of cut can be further fixed in the 90° and 45° cross-cut positions.
 - a. Align the fence **7** with slot **37**, slot **38** or slot **39** in order to fix the 90° or 45° cross-cut position (Fig. C6).
 - b. Place the pin **20** through the fence into one of the holes **40**.

Checking and Adjusting the Mitre Scale (Fig. C1, D1, D2)

1. Pull the clamp lever **19** toward the handle **31** to release the fence (Fig. C1).
2. Pull down the arm and lock it in this position by pushing in the lock-down pin **21** (Fig. D2).
3. Place a square **22** against the fence **7** and the left side of the cutting blade creating a perfect 90° (Fig. D1).

 **WARNING:** Do not touch the tips of the blade teeth with the square.

4. Push the clamp lever **19** back down to the cutting table **9** to lock the fence (Fig. C1).
5. Pull out the lock-down pin **21** and return the arm to its upper rest position (Fig. D2).
6. Check that the 0° marking on the scale **35** aligns with the edge of the slot **36** (Fig. D1).
7. If adjustment is required, proceed as follows:
 - a. Loosen the screws **23**.
 - b. Align the 0° marking on the scale **35** with the edge of the slot **36**.
 - c. Retighten the screws **23**.

Adjusting the Spark deflector (Fig. E)


1. Loosen the screw **24**.
2. Set the spark deflector **25** as appropriate.
3. Tighten the screw **24**.


Prior to Operation:


- Install the appropriate cutting blade. Only use sharp or correctly sharpened blades. The maximum rotation speed of the tool must not exceed that of the cutting blade.
- Make sure the blade rotates in the direction of the arrows on the accessory and the tool.
- Secure the workpiece.
- Make sure all locking knobs and clamp handles are tight.
- Always set the spark deflector correctly.
- Do not attempt to cut excessively small pieces. Never perform cuts on small workpieces bundled together.


OPERATION

Instructions for Use

 **WARNING:** Always observe the safety instructions and applicable regulations.

 **WARNING:** To reduce the risk of serious personal injury, turn tool off and disconnect tool from power source before making any adjustments or removing/installing attachments or accessories. An accidental start-up can cause injury.

 **WARNING:** Do not apply excessive pressure to the tool.

 **WARNING:** Avoid overloading. Should the tool become hot, let it run a few minutes under no load condition.

Performing a Cut (Fig. A)

1. Place the material to be cut against the fence **7** and as far towards the operator as possible. Secure using the material clamp **6**.
2. Switch on the machine and pull down the Main handle **2** to cut the workpiece. Allow the motor to reach full speed before cutting.
3. Allow the blade to cut freely. Do not force.
4. After completing the cut, switch off the machine and return the arm to its upper rest position.

Switching On and Off (Fig. A)

The on/off switch **1** is mounted in the Main handle **2**.

To run the tool, press the on/off switch **1**.

Keep the on/off switch depressed while performing the operation.

To stop the tool, release the switch.



WARNING: Do not switch the tool on or off when under load.



WARNING: Do not cut magnesium.

Transporting (Fig. F)

The tool is equipped with a lock-down pin **21** which locks the tool in closed-down position for carrying.

Lower the guard **4** onto the cutting table **9** and secure the tool in this position by pushing in the lock-down pin **21**.

Transport the tool using the carrying handle **3**.

To release the tool, pull out the lock-down pin **21**.

Proper Hand Position (Fig. A, G)



WARNING: To reduce the risk of serious personal injury, ALWAYS use proper hand position as shown.



WARNING: To reduce the risk of serious personal injury, ALWAYS hold securely in anticipation of a sudden reaction.

Proper hand position requires one hand on the main handle **2** and the other hand holding the workpiece away from the blade.



WARNING:

- Never place your hands near the cutting area.
- Hold the workpiece tightly to the table and the fence when cutting. Keep your hands in position until the switch has been released and the blade has completely stopped.
- Do not cross your hands.
- Keep both feet firmly on the floor and maintain proper balance.

MAINTENANCE

Your DEWALT power tool has been designed to operate over a long period of time with a minimum of maintenance. Continuous satisfactory operation depends upon proper tool care and regular cleaning.



WARNING: *To reduce the risk of serious personal injury, turn tool off and disconnect tool from power source before making any adjustments or removing/installing attachments or accessories. An accidental start-up can cause injury.*



Lubrication

Your power tool requires no additional lubrication.



Cleaning



WARNING: *Blow dirt and dust out of the main housing with dry air as often as dirt is seen collecting in and around the air vents. Wear approved eye protection and approved dust mask when performing this procedure.*



WARNING: *Never use solvents or other harsh chemicals for cleaning the non-metallic parts of the tool. These chemicals may weaken the materials used in these parts. Use a cloth dampened only with water and mild soap. Never let any liquid get inside the tool; never immerse any part of the tool into a liquid.*

Optional Accessories



WARNING: *Since accessories, other than those offered by DEWALT, have not been tested with this product, use of such accessories with this tool could be hazardous. To reduce the risk of injury, only DEWALT recommended accessories should be used with this product.*

Consult your dealer for further information on the appropriate accessories.

Protecting the Environment



Separate collection. Products and batteries marked with this symbol must not be disposed of with normal household waste.



Products and batteries contain materials that can be recovered or recycled reducing the demand for raw materials. Please recycle electrical products and batteries according to local provisions. Further information is available at www.2helpU.com.

금속 절단기

DW872

축하합니다!


DeWALT 공구를 선택해 주셔서 감사합니다. 제품 개발과 혁신을 통한 다년간의 경험은 DeWALT를 전문 전동 공구 사용자들이 가장 믿을 수 있는 제품으로 만들어 왔습니다.


기술 데이터


		DW872
전압	VAC	220-240
소비전력	W	2200
무부하 속도	분 ⁻¹	1300
톱날 직경	mm	355
톱날 구멍	mm	25.4
톱날 본체 두께	mm	1.8
톱날 절단 두께	mm	2.2
톱니 개수		66
90°에서의 교차 절삭 능력		
원형	mm	130
정사각형	mm	100 x 100
직사각형	mm	75 x 130
모서리	mm	92 x 92
45°에서의 교차 절삭 능력		
원형	mm	79
정사각형	mm	79 x 79
직사각형	mm	79 x 123
모서리	mm	56 x 56
무게	kg	22.5

정의: 안전 지침

다음 정의는 각 경고 문구의 심각도를 설명합니다. 사용 설명서를 읽고 다음 기호들에 유의하십시오.

 **위험:** 절박한 위험 상태를 나타내며, 방지하지 않으면 **사망 또는 심각한 부상을 초래합니다.**

 **경고:** 잠재적 위험 상태를 나타내며, 방지하지 않으면 **사망 또는 심각한 부상을 초래할 수 있습니다.**


 **주의:** 잠재적으로 위험한 상태를 나타내며, 방지하지 않으면 **경미하거나 가벼운 부상을 초래할 수 있습니다.**

참고: 신체 부상을 초래하지 않는 행위를 나타내며, 방지하지 않으면 **재산상의 손해가 발생할 수 있습니다.**

 감전 위험을 나타냅니다.

 화재 위험을 나타냅니다.

안전 지침

 **경고:** 화재, 감전 및 다음과 같은 부상을 위험을 줄이려면 전동 공구를 사용할 때 항상 기본적인 안전 주의사항을 준수해야 합니다.

이 제품을 사용하기 전에 모든 지침 사항을 읽고 안전한 장소에 보관하십시오.

항후 참고할 수 있도록 본 사용 설명서를 보관해두십시오.

일반 안전 규칙

- 작업장을 깨끗하게 유지하십시오.**
 - 어수선한 작업장과 작업대가 부상을 초래합니다.
- 작업장의 환경을 고려하십시오.**
 - 공구를 비에 노출시키지 마십시오. 축축하거나 젖은 상태에서 공구를 사용하지 마십시오. 작업장을 충분히 밝게 유지하십시오(250-300 렉스). 화재나 폭발의 위험이 있는 곳(예, 가연성 액체 및 가스가 존재하는 곳)에서 공구를 사용하지 마십시오.
- 감전이 되지 않도록 조심하십시오.**
 - 파이프 관, 라디에이터, 렌지 및 냉장고 등의 접지 표면에 몸이 닿지 않도록 하십시오. 극한의 조건(예, 고습, 금속 부스러기가 나오는 경우 등)에서 공구를 사용할 때는 절연 변압기 또는 (FI) 접지 누전 자동 차단기를 삽입하여 전기 안전을 높일 수 있습니다.
- 다른 사람이 주변에 있지 않도록 하십시오.**
 - 작업과 관련이 없는 사람, 특히 어린이가 공구나 연장 코드를 만지지 않도록 하고 작업장에서 멀리 떨어져 있도록 유지하십시오.
- 사용하지 않는 공구는 보관해 두십시오.**
 - 사용하지 않을 때는 어린이의 손이 닿지 않도록 건조하고 확실히 잠겨 있는 장소에 보관해야 합니다.
- 공구에 무리한 힘을 가하지 마십시오.**
 - 용도에 맞는 힘을 사용함으로 보다 안전한 작업을 할 수 있습니다.
- 적합한 공구를 사용하십시오.**
 - 강력 전동공구를 사용해야 하는 작업에 작은 공구를 사용하여 힘을 가하지 마십시오. 의도하지 않은 용도, 예를 들어, 나뭇가지 또는 통나무를 절단하는 용도로 회전 톨을 사용하지 마십시오.
- 적절한 작업복을 착용하십시오.**
 - 늘어지는 옷이나 장신구를 착용하지 마십시오. 움직이는 부품에 끼일 수 있습니다. 실외에서 작업할 때는 미끄럼 방지 신발을 신는 것이 좋습니다. 긴 머리를 날을 수 있는 머리카락 보호 덮개를 착용하십시오.

9. 보호 장비를 사용하십시오.

- 항상 보안경을 착용하십시오. 작업 시 먼지나 날아다니는 입자가 발생하는 경우 얼굴 또는 먼지 마스크를 착용하십시오. 이러한 입자는 상당히 뜨거울 수 있으므로, 내열성 앞치마도 착용하십시오. 항상 귀 보호 장구를 착용하십시오. 또한 항상 안전 헬멧도 쓰십시오.

10. 먼지 배출 장비를 연결하십시오.

- 먼지 배출 및 집진 장비 연결을 위한 장치가 제공되는 경우, 이들 장치가 연결되어 적절히 사용되고 있는지 반드시 확인하십시오.

11. 코드를 함부로 다루지 마십시오.

- 콘센트에서 코드를 분리할 때 절대로 코드를 핵 잡아당기지 마십시오. 코드가 열, 오일 및 날카로운 가장자리에 닿지 않도록 하십시오. 공구를 코드로 들고 다니지 마십시오.

12. 안전하게 작업하십시오.

- 가능할 경우 클램프 또는 바이스를 사용해 작업을 고정하십시오. 손을 사용하는 것보다 더 안전하며 공구를 작동할 수 있도록 양쪽 손이 자유롭습니다.

13. 무리하게 팔을 뻗지 마십시오.

- 항상 올바른 자세로 서서 균형을 유지 하십시오.

14. 주의 깊게 공구를 유지보수하십시오.

- 바이트를 날카롭게 유지하고 보다 안전하고 우수한 성능을 위해 청소하십시오. 액세서리를 원활하고 교환할 경우 지침 사항을 준수하십시오. 공구를 정기적으로 검사하고 손상된 경우 공인 서비스 기관에서 수리를 받으십시오. 핸들과 스위치는 건조하고 깨끗한 상태를 유지하고 오일/기름이 묻지 않도록 하십시오.

15. 전원에서 공구 플러그를 빼십시오.

- 사용하지 않을 때, 정비하기 전, 그리고 톱날, 비트 및 커터 등 액세서리를 교환할 때는 전원에서 공구 플러그를 빼십시오.

16. 조정 키와 렌치를 제거하십시오.

- 공구를 작동하기 전에 공구에서 조정 키와 렌치가 제거되었는지 확인하는 습관을 들이십시오.

17. 의도하지 않은 가동을 방지하십시오.

- 스위치에 손가락이 닿는 상태로 공구를 들고 다니지 마십시오. 플러그를 끼우기 전에 공구가 “꺼짐” 위치에 있는지 확인하십시오.

18. 옥외 연장선을 사용하십시오.

- 사용하기 전에 연장 케이블을 검사하고 손상되었을 경우 교체하십시오. 옥외에서 공구를 사용할 경우 옥외용으로 나오고 그에 맞는 표시가 있는 연장 코드만 사용하십시오.

19. 경계심을 늦추지 마십시오.

- 조심해서 작업을 하십시오. 상식을 최대한 적용하고, 피로하거나 약 또는 알코올을 섭취한 상태에서는 공구를 조작하지 마십시오.

20. 손상된 부품을 확인하십시오.

- 사용하기 전에 공구가 올바르게 작동하여 의도하는 기능을 수행할 것인지 판단하기 위해 공구와 본선을 주의 깊게 점검하십시오. 움직이는 부품의 정렬, 움직이는 부품의 바인딩, 부품의 파손, 장착 및 작동에 영향을 미칠 수 있는 기타 모든 상태를 점검하십시오. 사용 설명서에 달리 명시되어 있지 않은 한 손상된 가드 또는 기타 부품은 올바르게 수리하거나 공인 서비스 센터에서 교체해야 합니다. 결합 있는 스위치는 공인 서비스 센터에서 교체를 받으십시오. 스위치를 켜거나 끌 수 없는 경우 공구를 사용하지 마십시오. 절대로 직접 수리하려고 하지 마십시오.



경고: 사용 설명서에서 권장하는 방식 이외의 다른 방식으로 본 공구를 조작하거나 액세서리 또는 부착물을 사용하는 경우 신체 부상의 위험이 있을 수 있습니다.

21. 유자격 기술자로부터 공구를 수리 받으십시오.

- 이 전동 공구는 관련 안전 규칙을 준수합니다. 수리는 유자격 기술자가 예비 부품을 사용해 실시해야 합니다. 그렇지 않을 경우 사용자에게 상당한 위험이 초래될 수 있습니다.

금속 톱에 대한 추가 안전

- 손상되거나 변형된 톱날을 사용하지 마십시오.
- EN 847-1을 준수하고 제조업체에서 권장하는 톱날만 사용하십시오.
- 고속도 강으로 제조된 톱날을 사용하지 마십시오.
- 필요 시 다음과 같은 적절한 신체 보호 장비를 착용하십시오.
 - 유발된 청력 손상의 위험을 줄이기 위한 청력 보호 장구.
 - 눈 보호 장구.
 - 유해한 먼지의 흡입 위험을 줄여 주는 호흡기 보호 장구.
 - 톱날(톱날은 가능할 때마다 홀더 안에 넣어 운반해야 함) 및 거친 재료 취급 시 장갑.

유지보수 및 정비

- 소음 노출에 영향을 주는 요인에 대한 작업자의 지침 (예, 방출되는 소음, 톱날 및 기계 유지보수를 줄이기 위해 고안된 톱날 사용).
- 가드나 톱날을 포함한 기계 결함은 발견 즉시 보고해야 합니다.

안전한 작동법

- 절단할 재료에 맞는 정확한 톱날을 선택하십시오.
- 제조업체에서 권장하는 재료 이외의 물질을 절단하는 데 이 톱을 사용하지 마십시오.
- 리프팅 및 운반 정보, 금속 톱을 들어올려서 지지하려면 그림 F를 참조하십시오.
- 가드가 제자리에 있지 않거나, 올바른 작업 순서가 아니거나 제대로 유지보수되지 않은 경우 톱을 사용하지 마십시오.


- 기계 주변의 바닥을 잘 관리하고 부스러기 조각과 절단 물질 등 마모대로 돌아다니는 물질이 없도록 유지하십시오.
 - 적절한 전체 또는 부분 조명을 제공하십시오.
 - 작업자는 기계 사용, 조정 및 작동에 대해 충분히 교육을 받아야 합니다.
 - 정확하게 날카로운 톱날을 사용하십시오. 톱날의 최대 속도 지점을 준수하십시오.
 - 모든 스페이서와 축 링이 제조업체에서 기술한 대로 해당 용도에 적합한지 확인하십시오.
 - 기계가 돌아가고 있고 톱 헤드가 정지 위치에 있지 않을 경우 절단 영역에서 작업물의 절단된 부분 또는 기타 부품 제거를 삼가하십시오.
 - 기계가 항상 안정적으로 고정되어 있는지 확인하십시오(예, 벤치에 고정됨).
 - 긴 조각을 지지하려면 그림 C3을 참조하십시오.
- 경고:** 정격 잔류 전류가 30mA 미만인 누전 차단기를 사용하는 것이 좋습니다.

기타 발생 가능한 위험

- 다음 위험들은 톱 사용 시 내재하고 있습니다.
- 돌아가는 부품을 만짐으로 인해 발생하는 부상
 - 절단 날 파쇄로 인한 부상.
- 이러한 위험은 다음과 같은 곳에서 뚜렷하게 나타납니다.
- 작업 범위 이내
 - 회전하는 장비 부품의 작동 범위 이내
- 관련된 안전 규정을 준수하고 안전 장치를 사용한다고 해도 특정한 위험은 피할 수 없습니다. 이러한 위험은 다음과 같습니다.
- 청력 손상.
 - 돌아가는 톱날의 덮여 있지 않은 부품으로 인한 사고의 위험.
 - 톱날 교체 시의 부상 위험.
 - 가드를 열 때 손가락이 눌리는 위험.

전기 안전

전기 모터는 한 가지 전압에만 맞추어 설계되었습니다. 전원이 전동기 라벨에 기재된 전압과 일치하는지 항상 확인하십시오.

 DEWALT 공구는 IEC61029에 따라 이중 절연되어 있습니다. 따라서 접지선이 필요하지 않습니다.

경고: 220-240V 기기는 1차 권선과 2차 권선 사이에 접지선이 있는 페일 세이프 절연 변압기를 통해 작동되어야 합니다.

전원 코드가 손상된 경우에는 DEWALT 서비스 센터를 통해 특수 제작된 코드로 교체해야만 합니다.

연장 케이블 이용

연장 케이블이 필요할 경우 이 공구의 소비전력에 맞는 승인된 3 코어 연장 케이블을 사용하십시오(**기술 데이터** 참조). 최소 도체 크기는 1.5 mm², 최대 길이는 30 m입니다.

케이블 릴을 사용할 때는 항상 케이블을 완전히 푸십시오.




포장 내용물

포장에는 다음 내용물이 들어 있습니다.

- 1 금속 절단기
- 1 절단 날
- 1 육각 키
- 1 수직 클램프
- 1 사용 설명서
- 운반 중에 발생할 수 있는 공구, 부품 또는 액세서리의 손상 여부를 확인하십시오.
- 작동 전에 시간을 내어 본 사용 설명서를 읽고 숙지하십시오.

공구에 표시된 마크

공구에는 다음과 같은 그림이 있습니다.

-  사용 전에 사용 설명서의 내용을 숙지하십시오.
-  귀 보호 장구를 착용하십시오.
-  보안경을 착용하십시오.

날짜 코드 위치(그림 A)

날짜 코드 **26**에는, 제조년도가 포함되어 이 제조년도는 케이스에 인쇄되어 있습니다.

예: 2018 XX XX
제조년도

설명(그림 A)

경고: 전동 공구 또는 전동 공구의 어떤 부품도 절대 개조하지 마십시오. 제품이 파손되거나 신체 부상을 당할 수도 있습니다.

- 1 커짐/꺼짐 스위치
- 2 주 핸들
- 3 운반용 핸들
- 4 가드
- 5 스프링 잠금 장치
- 6 작업물 고정대
- 7 펜스
- 8 장착 구멍
- 9 절단 테이블
- 10 육각 키

용도

전문적인 DEWALT 금속 절단기는 다양한 모양의 금속 재료(배수관 및 가스관, 각이 진 철, U-프로파일, T자형 바, 봉, 볼트 등)를 절단하도록 고안되었습니다. 적합한 절단 날을 사용하면, DIN 1700 (ST33, ST37-2, ST52-3)에 따라 열간 및 냉간압연 탄소강, 철근, 비철금속(예, 알루미늄, 황동, 구리), 스테인리스강 및 합성 자재(예, PVC)를 절단할 수 있습니다. 이 공구는 주철, 벽돌,

타일 또는 자기 재료에서 사용하도록 고안되지 않았습니다. 마그네슘 작업물을 절단하는 데 이 공구를 사용하지는 않습니다.

습한 환경이나 가연성 액체 또는 가스가 있는 장소에서 사용하지 **마십시오**.

이 절단기는 전문적인 전동 공구입니다.

어린이가 이 공구를 만지지 **않도록 하십시오**. 경험이 없는 작업자가 이 공구를 사용할 때는 감독자의 지도가 필요합니다.

- **어린이 및 노약자**. 본 제품은 어린이나 노약자가 사용하도록 설계되지 않았습니다. 이러한 사람이 사용할 때는 감독이 필요합니다.
- 본 제품은 안전 책임을 맡고 있는 사람이 감독을 하고 있지 않는 한 경험, 지식 또는 기술이 부족하고 신체적, 감각적 또는 정신적 능력이 미약한 사람(어린이 포함)이 사용하도록 고안된 것이 아닙니다. 이 제품과 함께 어린이만 혼자 두어서는 않습니다.

조립 및 조정

- !** **경고: 심각한 신체 부상의 위험을 줄이려면 부착물 또는 액세서리를 조정하거나 제거/설치하기 전에 공구를 끄고 전원에서 공구 플러그를 빼십시오.**
공구가 갑자기 작동하여 부상을 당할 수 있습니다.

작업대 장착(그림 A)

장착 구멍 8은 작업대에 쉽게 장착할 수 있도록 제공되어 있습니다.

절단 날 분리 및 장착(그림 A, B1, B2)

1. 암을 휴지 위치에 놓고 림 42을 이용해 가드 4를 뒤쪽으로 제칩니다. 가드를 후퇴시킵니다(그림 B1).
2. 스팀들 잠금 장치 5를 눌러 고정시킵니다(그림 B2).
3. 절단 날이 잠길 때까지 회전시킵니다.
4. 볼트 커버 11를 밖으로 돌립니다(그림 B1).
5. 육각 키 10을 사용하여 볼트 12를 시계 반대 방향으로 돌려서 제거한 다음 잠금 와셔 29, 평 와셔 27 및 고정 만조 28를 제거합니다(그림 B2).
6. 절단 날 13을 교체합니다. 새 날이 정확한 회전 방향으로 만조 30에 고정되었는지 확인합니다.
7. 고정 만조 28, 평 와셔 7, 잠금 와셔 9 및 볼트 12를 사용하여 날을 고정합니다.
8. 가드를 뒤쪽으로 이동시킨 뒤 스팀들 잠금 장치 5를 풉니다.

- !** **경고: 새 톱니는 매우 날카로우므로 위험할 수 있습니다.**

작업물을 제자리에 고정하기 (그림 A, C1-C6)

공구에는 작업물 고정대 6가 장착되어 있습니다(그림 A).

1. 레버 14를 핸들 31 쪽으로 당깁니다(그림 C1).
2. 죠 33가 작업물에 거의 닿을 때까지 고정대 축 32을 앞쪽으로 밀니다.
3. 레버 14를 죠 33 쪽으로 밀어 고정대 축 32과 체결되게 합니다.

4. 핸들 31을 시계 방향으로 돌려 가공품을 견고하게 고정합니다.

5. 가공품 고정을 풀려면 핸들 31을 시계 반대 방향으로 돌립니다.



경고:

- 작업자 쪽에서 가능한 멀리 작업물을 고정하십시오.
- 작업물의 두께가 최대 다운스트로크 절삭력을 초과하지 않는 한 다운스트로크 절단을 위한 고정 위치를 설정합니다(그림 C2).
 - 최대 다운스트로크 절삭력은 슬롯 36으로 표시되어 있습니다.
 - 아래에 설명한 대로 고정 위치를 계속해서 설정합니다.
- 항상 재료를 절단하는 톱니의 수를 최소화하는 방식으로 작업물을 고정하려고 하십시오(그림 C4).
- 긴 가공품은 나무 조각 15을 이용해 지지하십시오(그림 C3). 절단할 끝 부분 34을 고정하지 마십시오.

수직 클램프(그림 C5, C6)

수직 클램프 16는 넓고 불규칙한 모양의 재료를 업스트로크 절단하는 데 사용됩니다(그림 C5).

1. 클램프 16가 작업물 위에 놓일 때까지 베이스(그림 C6)의 구멍 17에 수직 클램프를 끼웁니다(그림 C5).
2. 작업물을 고정하려면 레버 18를 아래로 당깁니다.
3. 레버 18를 위로 올려 고정대 16를 풉니다.



경고: 업스트로크 절단 시 항상 수직 클램프를 사용하십시오.

빠른 이동 기능(그림 C1)

고정대에는 빠른 이동 기능이 있습니다.

- 고정대를 풀려면 핸들 31을 시계 반대 방향으로 1~2바퀴 돌린 다음 레버 14를 핸들 14 쪽으로 당기십시오.

고정 위치 설정(그림 C1, C6)

절단 날에 맞게 고정 위치를 설정할 수 있습니다.

1. 클램프 레버 19를 핸들 31 쪽으로 당기고(그림 C1) 위치 핀 20을 빼 내어 펜스 7를 풉니다(그림 C6).
2. 필요에 따라 펜스 7를 이동합니다.
3. 클램프 레버 19를 다시 절단 테이퍼 9로 밀어 내려서 펜스 7를 잠급니다(그림 C1).



경고: 클램프 레버 저항이 너무 약할 경우, 펜스에 있는 두 개의 조정 볼트를 살짝 조입니다.

절단 각도 설정(그림 C1, C6)

최대 45°까지의 마이터 절단에 공구를 사용할 수 있습니다.

1. 클램프 레버 19를 핸들 31 쪽으로 당겨서 펜스 7를 풉니다(그림 C1).
2. 펜스 7를 원하는 각도로 설정합니다. 각도는 눈금 35으로 읽을 수 있습니다. 슬롯 36의 가장자리를 참조로 사용합니다(그림 C6).

- 클램프 레버 **19** 를 다시 절단 테이블 **9** 로 밀어 내려서 펜스를 잠급니다(그림 C1).
- 추가 고정이 필요한 경우, 절단 각도는 90° 및 45° 교차 절단 위치로 추가 고정할 수 있습니다.
 - 90° 또는 45° 교차 절단 위치를 고정하려면 펜스 **7** 를 슬롯 **37** , 슬롯 **38** 또는 슬롯 **39** 와 맞춥니다(그림 C6).
 - 펜스를 통해 핀 **20** 을 구멍 **40** 중 하나에 놓습니다.

마이터 눈금 확인 및 조정 (그림 C1, D1, D2)

- 클램프 레버 **19** 를 핸들 **31** 쪽으로 당겨서 펜스를 풀니다(그림 C1).
- 암을 내리고 내려 잠금 핀 **21** 을 눌러서 이 위치에서 잠급니다(그림 D2).
- 펜스 **7** 에 직각자 **22** 를 대면 절단 날 왼쪽에 완벽한 90°가 생성됩니다(그림 D1).

경고: 직각자로 톱니의 끝을 건드리지 마십시오.

- 클램프 레버 **19** 를 다시 절단 테이블 **9** 로 밀어 내려서 펜스를 잠급니다(그림 C1).
- 내려 잠금 핀 **21** 을 빼내어 암을 더 위쪽의 휴지 위치로 돌려 놓습니다(그림 D2).
- 눈금 **35** 의 0° 표시가 슬롯 **36** 의 가장자리와 맞추어 졌는지 확인하십시오(그림 D1).
- 조정이 필요할 경우 다음과 같이 진행하십시오.
 - 나사 **23** 를 풀니다.
 - 눈금 **35** 의 0° 표시를 슬롯 **36** 의 가장자리에 맞춥니다.
 - 나사 **23** 를 다시 조입니다.

볼꽃 반사대 조정(그림 E)

- 나사 **24** 를 풀니다.
- 볼꽃 반사대 **25** 를 적절하게 놓습니다.
- 나사 **24** 를 조입니다.

작업을 하기 전에:

- 적절한 절단 날을 설치하십시오. 날카롭거나 정확하게 날카로워진 날만 사용하십시오. 공구의 최대 회전 속도가 절단 날의 최대 회전 속도를 초과해선 안됩니다.
- 날이 액세서리 및 공구의 화살표 방향으로 회전하도록 하십시오.
- 작업물을 고정하십시오.
- 모든 잠금 노브와 클램프 핸들이 조여졌는지 확인하십시오.
- 항상 볼꽃 반사대를 올바르게 설정하십시오.
- 지나치게 작은 조각을 절단하려고 하지 마십시오. 함께 묶여져 있는 작은 작업물을 절대 절단하지 마십시오.

조작

사용 지침

경고: 안전 지시 사항과 해당 규정을 항상 준수하십시오.

경고: 심각한 신체 부상의 위험을 줄이려면 부착물 또는 액세서리를 조정하거나 제거/설치하기 전에 공구를 끄고 전원에서 공구 플러그를 빼십시오. 공구가 갑자기 작동하여 부상을 당할 수 있습니다.

경고: 공구에 지나친 압력을 가하지 마십시오.

경고: 과부하를 피하십시오. 공구가 가열되면 무부하 상태로 몇 분 정도 작동시키십시오.

절단 작업 수행(그림 A)

- 절단할 재료를 펜스 **7** 에 맞대어 놓고 가능한 한 작업자로부터 멀리 두십시오. 작업물 고정대 **6** 를 사용하여 고정합니다.
- 기계 스위치를 켜고 주 핸들 **2** 을 내려서 작업물을 절단합니다. 절단 전에 모터가 최대 속도에 도달할 수 있어야 합니다.
- 날이 자유자재로 절단할 수 있어야 합니다. 힘을 주지 마십시오.
- 절단을 완료한 후 기계를 끄고 암을 더 위쪽의 휴지 위치로 돌려 놓습니다.

전원 켜기 및 끄기(그림 A)

주 핸들 **2** 에는 on/off 스위치 **1** 가 장착되어 있습니다. 공구를 작동하려면 on/off 스위치 **1** 을 누릅니다. 작업 수행 중에는 on/off 스위치를 눌러 톱니다. 공구를 멈추려면 스위치를 풀어 줍니다.

경고: 부하가 실려 있을 때는 공구를 켜거나 끄지 마십시오.

경고: 마그네슘을 절단하지 마십시오.

운반(그림 F)

공구에는 운반을 위해 공구를 닫힌 상태로 고정해 주는 내려 잠금 핀 **21** 이 장착되어 있습니다. 가드 **4** 를 절단 테이블 **9** 위로 내려놓고 내려 잠금 핀 **21** 을 밀어 넣어서 공구를 이 위치에 고정합니다. 운반용 핸들 **3** 을 이용해 공구를 운반하십시오. 공구를 풀려면 내려 잠금 핀 **21** 을 빼 냅니다.

올바른 손의 위치(그림 A, G)

경고: 심각한 신체 부상의 위험을 줄이려면 항상 그림과 같이 올바르게 손을 위치하십시오.

경고: 심각한 신체 부상의 위험을 줄이려면, 항상 급작스러운 반동을 예상하고 확실하게 잡으십시오.

손 위치는 한 손을 기본 핸들 **2** 위에 놓고 다른 손은 날로부터 멀리 작업물을 잡는 것이 바람직합니다.

- 경고:**
- 절대 절단할 영역 가까이에 손을 두지 마십시오.
 - 절단 시 테이블과 펜스에 대해 작업물을 단단히 잡으십시오 스위치가 풀리고 톱날이 완전히 멈출 때까지 손을 제자리에 유지하십시오.
 - 손을 교차하지 마십시오.
 - 양쪽 발을 바닥에 단단히 고정하고 적절한 균형을 유지하십시오.

유지 보수

DEWALT 전동 공구는 최소한의 유지 보수로 장기간에 걸쳐 작업이 가능하도록 설계되어 있습니다. 만족스러운 연속 작동은 적절한 공구 관리와 정기적인 청소에 따라 그 성능이 달라질 수 있습니다.



경고: 심각한 신체 부상의 위험을 줄이려면 부착물 또는 액세서리를 조정하거나 제거/설치하기 전에 공구를 끄고 전원에서 공구 플러그를 빼십시오.
공구가 갑자기 작동하여 부상을 당할 수 있습니다.



운할방법

전동 공구는 별도의 운할 작업이 필요하지 않습니다.



청소



경고: 통풍구 속이나 주변에 먼지가 쌓여있는 것이 보이면 가능한 한 자주 건조한 공기를 이용하여 몸체에서 먼지를 불어내십시오. 이 절차를 수행할 때에는 승인된 눈 보호 장구 및 승인된 방진 마스크를 착용하십시오.



경고: 공구의 금속 이외 부품을 청소할 때는 용제 등의 강력한 화학약품을 절대 사용하지 마십시오. 그렇지 않으면 이러한 부분에 사용된 재료가 약해질 수 있습니다. 형겅에 물과 순한 비누를 적셔 닦아 주십시오. 공구 내부에 액체를 넣거나 공구 부품을 액체에 담그는 행동은 절대 금물입니다.

선택 액세서리



경고: DEWALT에서 제공되지 않은 액세서리는 이 제품에 테스트되지 않았으므로, 그러한 액세서리를 이 공구와 함께 사용하면 위험할 수 있습니다. 신체 부상의 위험을 줄이려면 본 제품에 알맞은 액세서리만 사용해야 합니다.

해당 액세서리에 대한 자세한 정보는 판매 대리점으로 문의하십시오.

환경 보호



분리 수거. 이 기호가 표시된 제품과 배터리를 일반 가정용 쓰레기와 함께 처리하면 안됩니다. 제품과 배터리에는 재용되거나 재활용되고 고철 자원에 대한 수요를 줄일 수 있는 자재가 포함되어 있습니다. 전기 제품과 배터리는 지역 규정에 따라 재활용하십시오. 자세한 내용은 www.2helpU.com에서 찾아 볼 수 있습니다.

