

**DEWALT®**

**[www.DEWALT.com](http://www.DEWALT.com)**

**DCW600**

**DCW604**

---

English

5

---

한국어

17

---

Fig. A  
그림 A

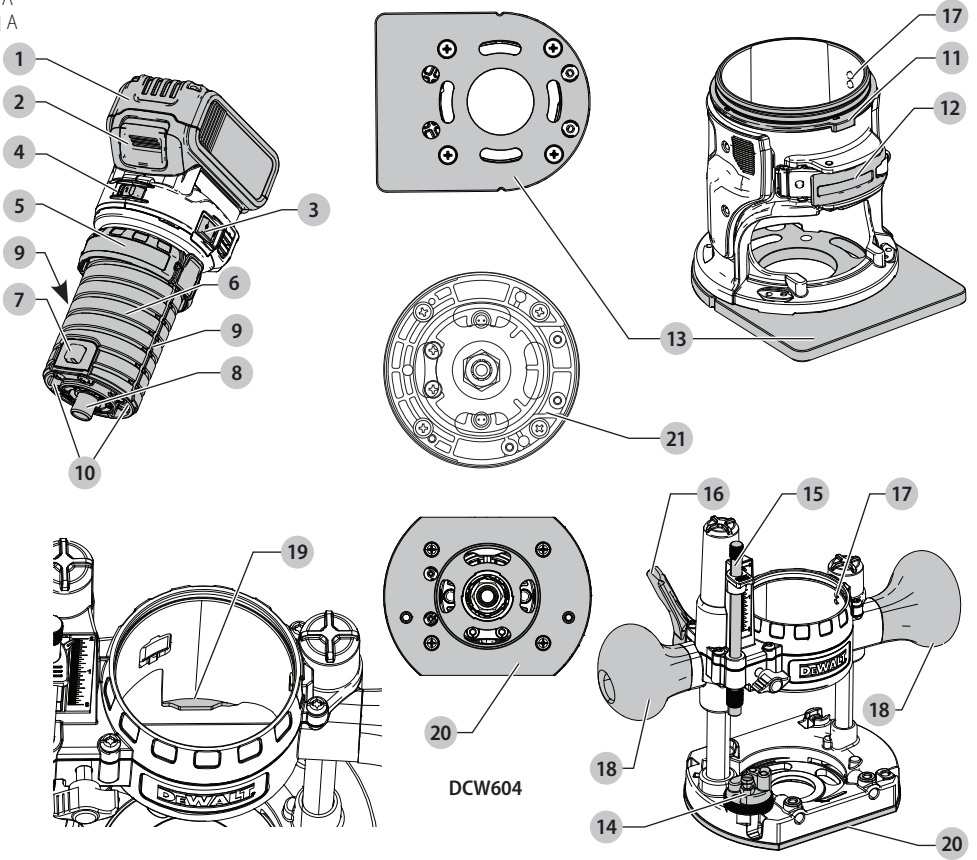


Fig. B  
그림 B

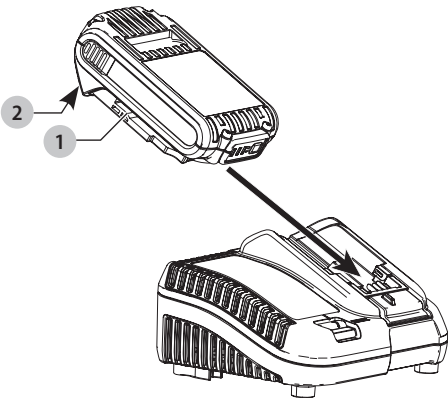


Fig. C  
그림 C

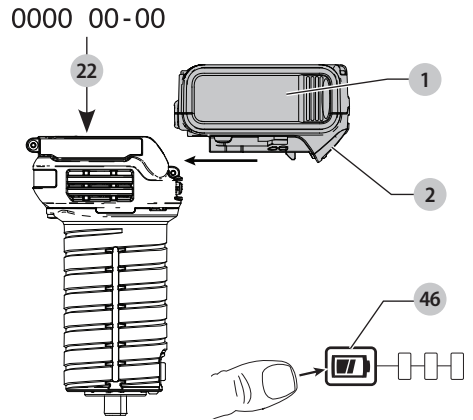


Fig. D  
그림 D

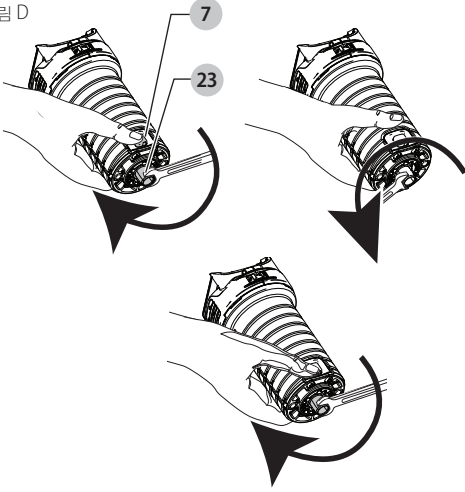


Fig. E  
그림 E

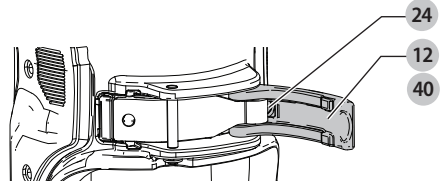


Fig. F1  
그림 F1

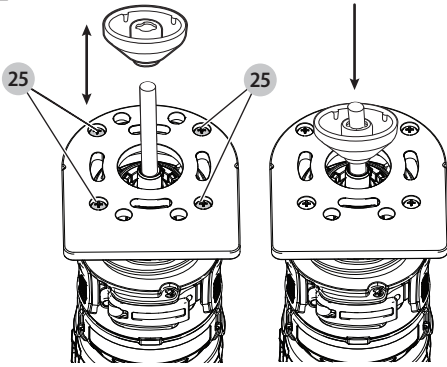


Fig. F2  
그림 F2

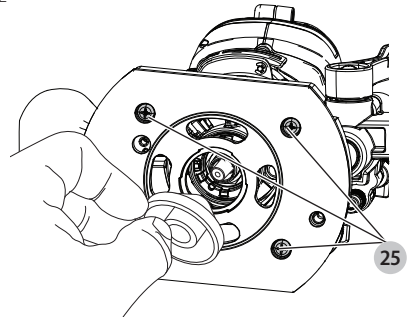


Fig. F3  
그림 F3

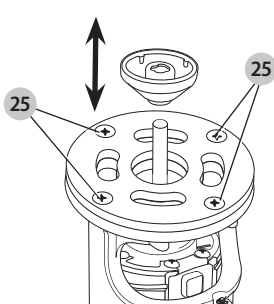


Fig. G  
그림 G

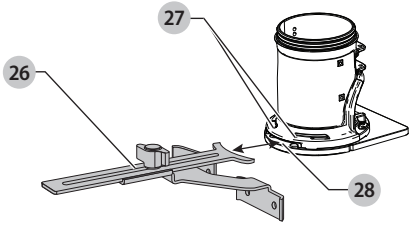


Fig. H  
그림 H

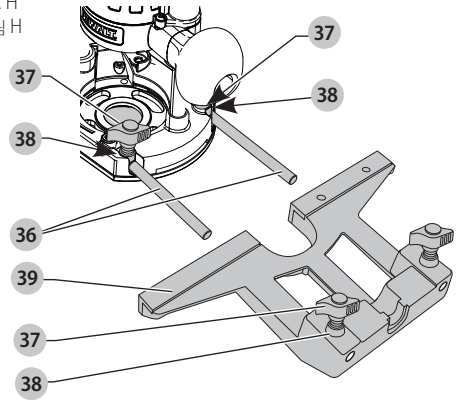


Fig. I  
그림 I

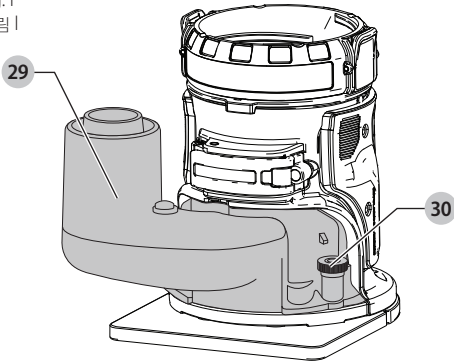


Fig. J  
그림 J

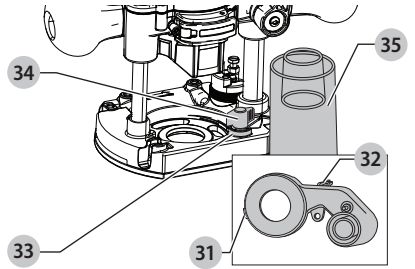


Fig. K  
그림 K

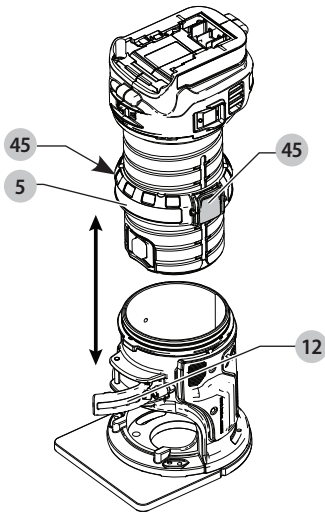


Fig. L  
그림 L

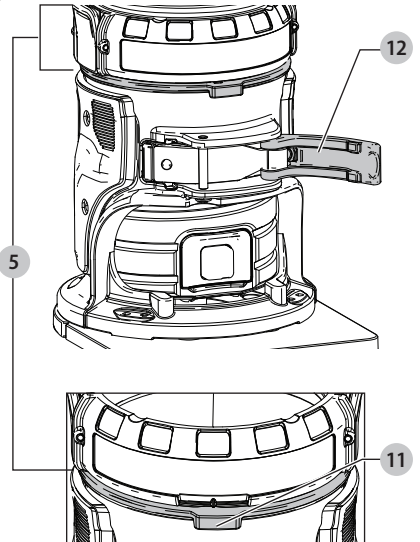


Fig. M  
그림 M

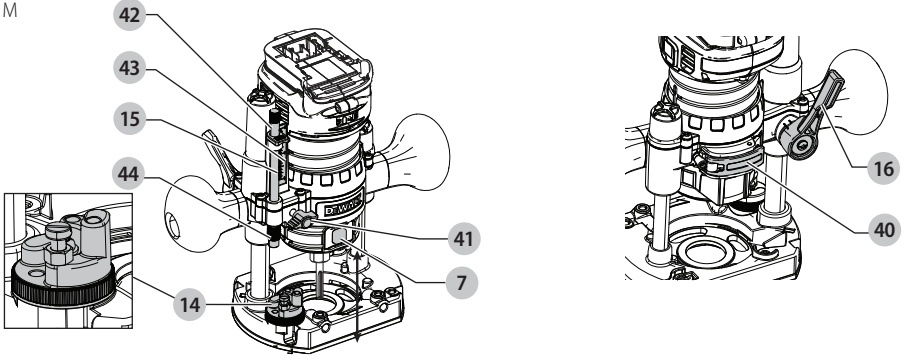


Fig. N1  
그림 N1

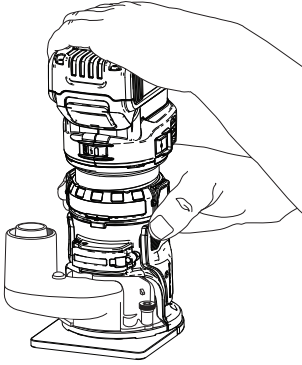


Fig. N2  
그림 N2

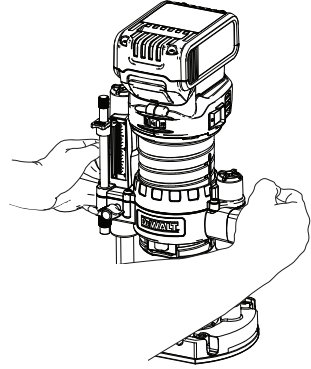
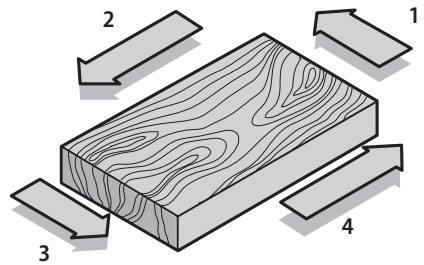
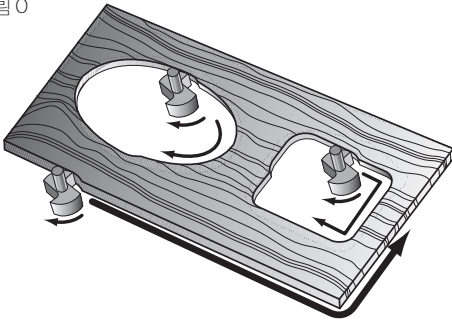


Fig. O  
그림 O



# PLUNGE ROUTER

## DCW600, DCW604

### Congratulations!

You have chosen a DEWALT tool. Years of experience, thorough product development and innovation make DEWALT one of the most reliable partners for professional power tool users.

### Technical Data

		DCW600	DCW604
Voltage	V <sub>dc</sub>	18(20V Max)	18(20V Max)
Battery type		Li-Ion	Li-Ion
Power output	W	930	930
No-load speed	rpm	16000–25500	16000–25500
Router carriage		1 column	2 columns
Router carriage stroke	mm	55	55
Collet Size	mm	6	6
Cutter Diameter, max		30	30
Weight (without battery pack)	kg	1.54	2.40



**WARNING:** To reduce the risk of injury, read the instruction manual.

### Definitions: Safety Guidelines

The definitions below describe the level of severity for each signal word. Please read the manual and pay attention to these symbols.



**DANGER:** Indicates an imminently hazardous situation which, if not avoided, **will** result in **death or serious injury**.



**WARNING:** Indicates a potentially hazardous situation which, if not avoided, **could** result in **death or serious injury**.



**CAUTION:** Indicates a potentially hazardous situation which, if not avoided, **may** result in **minor or moderate injury**.

**NOTICE:** Indicates a practice **not related to personal injury** which, if not avoided, **may** result in **property damage**.



Denotes risk of electric shock.



Denotes risk of fire.

Batteries				Chargers/Charge Times (Minutes)					
Cat #	V <sub>dc</sub>	Ah	Weight (kg)	DCB107	DCB112	DCB115	DCB118	DCB132	DCB119
DCB546	18/54	6.0/2.0	1.05	270	140	90	60	90	X
DCB606	20/60	6.0/2.0	1.05	270	140	90	60	90	X
DCB547	18/54	9.0/3.0	1.25	420	220	140	85	140	X
DCB609	20/60	9.0/3.0	1.25	420	220	140	85	140	X
DCB181	18	1.5	0.35	70	35	22	22	22	45
DCB182	18	4.0	0.61	185	100	60	60	60	120
DCB204	20	4.0	0.61	185	100	60	60	60	120
DCB183/B	18	2.0	0.40	90	50	30	30	30	60
DCB203	20	2.0	0.40	90	50	30	30	30	60
DCB184/B	18	5.0	0.62	240	120	75	75	75	150
DCB205	20	5.0	0.62	240	120	75	75	75	150
DCB185	18	1.3	0.35	60	30	22	22	22	X
DCB187	18	3.0	0.48	140	70	45	45	45	90

### GENERAL POWER TOOL SAFETY WARNINGS



**WARNING:** Read all safety warnings, instructions, illustrations and specifications provided with this power tool. Failure to follow all instructions listed below may result in electric shock, fire and/or serious injury.

#### SAVE ALL WARNINGS AND INSTRUCTIONS FOR FUTURE REFERENCE.

The term "power tool" in the warnings refers to your mains-operated (corded) power tool or battery-operated (cordless) power tool.

### Work Area Safety

- Keep work area clean and well lit. Cluttered or dark areas invite accidents.
- Do not operate power tools in explosive atmospheres, such as in the presence of flammable liquids, gases or dust. Power tools create sparks which may ignite the dust or fumes.
- Keep children and bystanders away while operating a power tool. Distractions can cause you to lose control.

## Electrical Safety

- d) **Power tool plugs must match the outlet. Never modify the plug in any way. Do not use any adapter plugs with earthed (grounded) power tools.** *Unmodified plugs and matching outlets will reduce risk of electric shock.*
- e) **Avoid body contact with earthed or grounded surfaces such as pipes, radiators, ranges and refrigerators.** *There is an increased risk of electric shock if your body is earthed or grounded.*
- f) **Do not expose power tools to rain or wet conditions.** *Water entering a power tool will increase the risk of electric shock.*
- g) **Do not abuse the cord. Never use the cord for carrying, pulling or unplugging the power tool. Keep cord away from heat, oil, sharp edges or moving parts.** *Damaged or entangled cords increase the risk of electric shock.*
- h) **When operating a power tool outdoors, use an extension cord suitable for outdoor use.** *Use of a cord suitable for outdoor use reduces the risk of electric shock.*
- i) **If operating a power tool in a damp location is unavoidable, use a residual current device (RCD) protected supply.** *Use of an RCD reduces the risk of electric shock.*

## Personal Safety

- j) **Stay alert, watch what you are doing and use common sense when operating a power tool. Do not use a power tool while you are tired or under the influence of drugs, alcohol or medication.** *A moment of inattention while operating power tools may result in serious personal injury.*
- k) **Use personal protective equipment. Always wear eye protection.** *Protective equipment such as dust mask, non-skid safety shoes, hard hat or hearing protection used for appropriate conditions will reduce personal injuries.*
- l) **Prevent unintentional starting. Ensure the switch is in the off-position before connecting to power source and/or battery pack, picking up or carrying the tool.** *Carrying power tools with your finger on the switch or energising power tools that have the switch on invites accidents.*
- m) **Remove any adjusting key or wrench before turning the power tool on.** *A wrench or a key left attached to a rotating part of the power tool may result in personal injury.*
- n) **Do not overreach. Keep proper footing and balance at all times.** *This enables better control of the power tool in unexpected situations.*
- o) **Dress properly. Do not wear loose clothing or jewellery. Keep your hair and clothing away from moving parts.** *Loose clothes, jewellery or long hair can be caught in moving parts.*
- p) **If devices are provided for the connection of dust extraction and collection facilities, ensure these are connected and properly used.** *Use of dust collection can reduce dust-related hazards.*

- q) **Do not let familiarity gained from frequent use of tools allow you to become complacent and ignore tool safety principles.** *A careless action can cause severe injury within a fraction of a second.*

## Power Tool Use and Care

- r) **Do not force the power tool. Use the correct power tool for your application.** *The correct power tool will do the job better and safer at the rate for which it was designed.*
- s) **Do not use the power tool if the switch does not turn it on and off.** *Any power tool that cannot be controlled with the switch is dangerous and must be repaired.*
- t) **Disconnect the plug from the power source and/or remove the battery pack, if detachable, from the power tool before making any adjustments, changing accessories, or storing power tools.** *Such preventive safety measures reduce the risk of starting the power tool accidentally.*
- u) **Store idle power tools out of the reach of children and do not allow persons unfamiliar with the power tool or these instructions to operate the power tool.** *Power tools are dangerous in the hands of untrained users.*
- v) **Maintain power tools and accessories. Check for misalignment or binding of moving parts, breakage of parts and any other condition that may affect the power tool's operation. If damaged, have the power tool repaired before use.** *Many accidents are caused by poorly maintained power tools.*
- w) **Keep cutting tools sharp and clean.** *Properly maintained cutting tools with sharp cutting edges are less likely to bind and are easier to control.*
- x) **Use the power tool, accessories and tool bits, etc. in accordance with these instructions, taking into account the working conditions and the work to be performed.** *Use of the power tool for operations different from those intended could result in a hazardous situation.*
- y) **Keep handles and grasping surfaces dry, clean and free from oil and grease.** *Slippery handles and grasping surfaces do not allow for safe handling and control of the tool in unexpected situations.*

## Battery Tool Use and Care

- z) **Recharge only with the charger specified by the manufacturer.** *A charger that is suitable for one type of battery pack may create a risk of fire when used with another battery pack.*
- aa) **Use power tools only with specifically designated battery packs.** *Use of any other battery packs may create a risk of injury and fire.*
- ab) **When battery pack is not in use, keep it away from other metal objects, like paper clips, coins, keys, nails, screws or other small metal objects, that can make a connection from one terminal to another.** *Shorting the battery terminals together may cause burns or a fire.*
- ac) **Under abusive conditions, liquid may be ejected from the battery; avoid contact. If contact accidentally occurs, flush with water. If liquid**



**contacts eyes, additionally seek medical help.** Liquid ejected from the battery may cause irritation or burns.

ad) **Do not use a battery pack or tool that is damaged or modified.** Damaged or modified batteries may exhibit unpredictable behaviour resulting in fire, explosion or risk of injury.

ae) **Do not expose a battery pack or tool to fire or excessive temperature.** Exposure to fire or temperature above 130 °C may cause explosion.

af) **Follow all charging instructions and do not charge the battery pack or tool outside the temperature range specified in the instructions.** Charging improperly or at temperatures outside the specified range may damage the battery and increase the risk of fire.

## Service

ag) **Have your power tool serviced by a qualified repair person using only identical replacement parts.** This will ensure that the safety of the power tool is maintained.

ah) **Never service damaged battery packs.** Service of battery packs should only be performed by the manufacturer or authorized service providers.

## Additional Specific Safety Rules for Compact Routers

- **Use clamps or another practical way to secure and support the workpiece to a stable platform.** Holding the work by hand or against your body leaves it unstable and may lead to loss of control.
- **DO NOT cut metal.**
- **Keep handles and gripping surfaces dry, clean, and free from oil and grease.** This will enable better control of the tool.
- **Maintain firm grip with both hands on the tool to resist starting torque.** Maintain a firm grip on the tool at all times while operating.
- **Always follow the bit manufacturer's speed recommendations as some bit designs require specific speeds for safety or performance.** If you are unsure of the proper speed or are experiencing any type of problem, contact the bit manufacturer.
- **Keep hands away from cutting area. Never reach under the workpiece for any reason.** Keep the router base firmly in contact with the workpiece when cutting.
- **Never run the motor unit when it is not inserted in one of the router bases.** The motor is not designed to be handheld.
- **Keep cutting pressure constant.** Do not overload motor.
- **Use sharp bits.** Dull bits may cause the router to swerve or stall under pressure.
- **Be sure that the motor has stopped completely before you lay the router down.** If the bit is still spinning when the tool is laid down, it could cause injury or damage.
- **Be sure that the router bit is clear of the workpiece before starting the motor.** If the bit is in contact with the workpiece when the motor starts it could make the router jump, causing damage or injury.

- **ALWAYS remove the battery before making adjustments or changing bits.**
- **Keep hands clear of bits when motor is running to prevent personal injury.**
- **Never touch the bit immediately after use.** It may be extremely hot.
- **Provide clearance under workpiece for router bit when through-cutting.**
- **Tighten collet nut securely to prevent the bit from slipping.**
- **Never tighten collet nut without a bit.**
- **Do not use router bits with a diameter in excess of 30 mm in this tool.**
- **Avoid climb-cutting (cutting in direction opposite than shown in Figure O). Climb-cutting increases the chance for loss of control resulting in possible injury.** When climb-cutting is required (backing around a corner), exercise extreme caution to maintain control of router. Make smaller cuts and remove minimal material with each pass.
- **Always use straight-cutters, rabbet-cutters, profile cutters, slotter cutters or grooved knives with a shank diameter that corresponds to the size of the collet in your tool.**
- **Always use bits suitable for a speed of min. 30000 min<sup>-1</sup> and marked accordingly.**
- **Do not hand-hold the router in an upside-down or horizontal position.** The motor can separate from the base if not properly attached according to the instructions.
- **Before starting the motor clear the work area of all foreign objects.**
- **Do not use in a router table.**
- **Always keep the chip shield (if included) clean and in place.**
- **Do not press spindle lock button while the motor is running.** Doing so can damage the spindle lock.
- **Always make sure the work surface is free from nails and other foreign objects.** Cutting into a nail can cause the bit and the tool to jump. Residual Risks

In spite of the application of the relevant safety regulations and the implementation of safety devices, certain residual risks cannot be avoided. These are:

- Impairment of hearing.
- Risk of personal injury due to flying particles.
- Risk of burns due to accessories becoming hot during operation.
- Risk of personal injury due to prolonged use.

## SAVE THESE INSTRUCTIONS

### Electrical Safety

The electric motor has been designed for one voltage only. Always check that the battery pack voltage corresponds to the voltage on the rating plate. Also make sure that the voltage of your charger corresponds to that of your mains.



Your DEWALT charger is double insulated in accordance with IEC60335; therefore no earth wire is required.

If the supply cord is damaged, it must be replaced by a specially prepared cord available through the DeWALT service organisation.

## Using an Extension Cable

An extension cord should not be used unless absolutely necessary. Use an approved extension cable suitable for the power input of your charger (see **Technical Data**). The minimum conductor size is 1 mm<sup>2</sup>; the maximum length is 30 m.

When using a cable reel, always unwind the cable completely.

## Important Safety Instructions for All Battery Chargers

**SAVE THESE INSTRUCTIONS:** This manual contains important safety and operating instructions for compatible battery chargers (refer to **Technical Data**).

- Before using charger, read all instructions and cautionary markings on charger, battery pack, and product using battery pack.



**WARNING:** Shock hazard. Do not allow any liquid to get inside charger. Electric shock may result.



**WARNING:** We recommend the use of a residual current device with a residual current rating of 30mA or less.



**CAUTION:** Burn hazard. To reduce the risk of injury, charge only DeWALT rechargeable batteries. Other types of batteries may burst causing personal injury and damage.



**CAUTION:** Children should be supervised to ensure that they do not play with the appliance.

**NOTICE:** Under certain conditions, with the charger plugged into the power supply, the exposed charging contacts inside the charger can be shorted by foreign material. Foreign materials of a conductive nature such as, but not limited to, steel wool, aluminum foil or any buildup of metallic particles should be kept away from charger cavities. Always unplug the charger from the power supply when there is no battery pack in the cavity. Unplug charger before attempting to clean

- **DO NOT attempt to charge the battery pack with any chargers other than the ones in this manual.** The charger and battery pack are specifically designed to work together.
- **These chargers are not intended for any uses other than charging DeWALT rechargeable batteries.** Any other uses may result in risk of fire, electric shock or electrocution.
- **Do not expose charger to rain or snow.**
- **Pull by plug rather than cord when disconnecting charger.** This will reduce risk of damage to electric plug and cord.
- **Make sure that cord is located so that it will not be stepped on, tripped over, or otherwise subjected to damage or stress.**
- **Do not use an extension cord unless it is absolutely necessary.** Use of improper extension cord could result in risk of fire, electric shock, or electrocution.
- **Do not place any object on top of charger or place the charger on a soft surface that might block the**

## ventilation slots and result in excessive internal heat.

Place the charger in a position away from any heat source. The charger is ventilated through slots in the top and the bottom of the housing.

- **Do not operate charger with damaged cord or plug—** have them replaced immediately.
- **Do not operate charger if it has received a sharp blow, been dropped, or otherwise damaged in any way.** Take it to an authorised service centre.
- **Do not disassemble charger; take it to an authorised service centre when service or repair is required.** Incorrect reassembly may result in a risk of electric shock, electrocution or fire.
- *In case of damaged power supply cord the supply cord must be replaced immediately by the manufacturer, its service agent or similar qualified person to prevent any hazard.*
- **Disconnect the charger from the outlet before attempting any cleaning. This will reduce the risk of electric shock.** Removing the battery pack will not reduce this risk.
- **NEVER attempt to connect two chargers together.**
- **The charger is designed to operate on standard 220-240V household electrical power. Do not attempt to use it on any other voltage.** This does not apply to the vehicular charger.

## Charging a Battery (Fig. C)

1. Plug the charger into an appropriate outlet before inserting battery pack.
2. Insert the battery pack ❶ into the charger, making sure the battery pack is fully seated in the charger. The red (charging) light will blink repeatedly indicating that the charging process has started.
3. The completion of charge will be indicated by the red light remaining ON continuously. The battery pack is fully charged and may be used at this time or left in the charger. To remove the battery pack from the charger, push the battery release button ❷ on the battery pack.

**NOTE:** To ensure maximum performance and life of lithium-ion battery packs, charge the battery pack fully before first use.

## Charger Operation

Refer to the indicators below for the charge status of the battery pack.

Charge Indicators	
Charging	
Fully Charged	
Hot/Cold Pack Delay*	

\*The red light will continue to blink, but a yellow indicator light will be illuminated during this operation. Once the battery pack has reached an appropriate temperature, the yellow light will turn off and the charger will resume the charging procedure.

The compatible charger(s) will not charge a faulty battery pack. The charger will indicate faulty battery by refusing to light.

**NOTE:** This could also mean a problem with a charger.

If the charger indicates a problem, take the charger and battery pack to be tested at an authorised service centre.

### Hot/Cold Pack Delay

When the charger detects a battery pack that is too hot or too cold, it automatically starts a Hot/Cold Pack Delay, suspending charging until the battery pack has reached an appropriate temperature. The charger then automatically switches to the pack charging mode. This feature ensures maximum battery pack life.

A cold battery pack will charge at a slower rate than a warm battery pack. The battery pack will charge at that slower rate throughout the entire charging cycle and will not return to maximum charge rate even if the battery pack warms.

The DCB118 charger is equipped with an internal fan designed to cool the battery pack. The fan will turn on automatically when the battery pack needs to be cooled. Never operate the charger if the fan does not operate properly or if ventilation slots are blocked. Do not permit foreign objects to enter the interior of the charger.

### Electronic Protection System

XR Li-Ion tools are designed with an Electronic Protection System that will protect the battery pack against overloading, overheating or deep discharge.

The tool will automatically turn off if the Electronic Protection System engages. If this occurs, place the lithium-ion battery pack on the charger until it is fully charged.

### Wall Mounting

These chargers are designed to be wall mountable or to sit upright on a table or work surface. If wall mounting, locate the charger within reach of an electrical outlet, and away from a corner or other obstructions which may impede air flow. Use the back of the charger as a template for the location of the mounting screws on the wall. Mount the charger securely using drywall screws (purchased separately) at least 25.4 mm long with a screw head diameter of 7–9 mm, screwed into wood to an optimal depth leaving approximately 5.5 mm of the screw exposed. Align the slots on the back of the charger with the exposed screws and fully engage them in the slots.

### Charger Cleaning Instructions



**WARNING: Shock hazard. Disconnect the charger from the AC outlet before cleaning.** Dirt and grease may be removed from the exterior of the charger using a cloth or soft non-metallic brush. Do not use water or any cleaning solutions. Never let any liquid get inside the tool; never immerse any part of the tool into a liquid.

## Battery Packs

### Important Safety Instructions for All Battery Packs

When ordering replacement battery packs, be sure to include catalogue number and voltage.

The battery pack is not fully charged out of the carton. Before using the battery pack and charger, read the safety instructions below. Then follow charging procedures outlined.

### READ ALL INSTRUCTIONS

- **Do not charge or use battery in explosive atmospheres, such as in the presence of flammable liquids, gases or dust.** Inserting or removing the battery from the charger may ignite the dust or fumes.
- **Never force battery pack into charger. Do not modify battery pack in any way to fit into a non-compatible charger as battery pack may rupture causing serious personal injury.**
- Charge the battery packs only in DeWALT chargers.
- **DO NOT splash or immerse in water or other liquids.**
- **Do not store or use the tool and battery pack in locations where the temperature may reach or exceed 40 °C (104 °F) (such as outside sheds or metal buildings in summer).**
- **Do not incinerate the battery pack even if it is severely damaged or is completely worn out.** The battery pack can explode in a fire. Toxic fumes and materials are created when lithium-ion battery packs are burned.
- **If battery contents come into contact with the skin, immediately wash area with mild soap and water.** If battery liquid gets into the eye, rinse water over the open eye for 15 minutes or until irritation ceases. If medical attention is needed, the battery electrolyte is composed of a mixture of liquid organic carbonates and lithium salts.
- **Contents of opened battery cells may cause respiratory irritation.** Provide fresh air. If symptoms persists, seek medical attention.



**WARNING: Burn hazard.** Battery liquid may be flammable if exposed to spark or flame.



**WARNING: Never attempt to open the battery pack for any reason.** If battery pack case is cracked or damaged, do not insert into charger. Do not crush, drop or damage battery pack. Do not use a battery pack or charger that has received a sharp blow, been dropped, run over or damaged in any way (i.e., pierced with a nail, hit with a hammer, stepped on). Electric shock or electrocution may result. Damaged battery packs should be returned to service centre for recycling.



**WARNING: Fire hazard. Do not store or carry the battery pack so that metal objects can contact exposed battery terminals.** For example, do not place the battery pack in aprons, pockets, tool boxes, product kit boxes, drawers, etc., with loose nails, screws, keys, etc.



**CAUTION: When not in use, place tool on its side on a stable surface where it will not cause a tripping or falling hazard.** Some tools with large battery packs will stand upright on the battery pack but may be easily knocked over.

## Transportation



**WARNING: Fire hazard.** Transporting batteries can possibly cause fire if the battery terminals inadvertently come in contact with conductive materials. When transporting batteries, make sure that the battery terminals are protected and well insulated from materials that could contact them and cause a short circuit.

**NOTE:** Lithium-ion batteries should not be put in checked baggage.

DEWALT batteries comply with all applicable shipping regulations as prescribed by industry and legal standards which include UN Recommendations on the Transport of Dangerous Goods; International Air Transport Association (IATA) Dangerous Goods Regulations, International Maritime Dangerous Goods (IMDG) Regulations, and the European Agreement Concerning The International Carriage of Dangerous Goods by Road (ADR). Lithium-ion cells and batteries have been tested to section 38.3 of the UN Recommendations on the Transport of Dangerous Goods Manual of Tests and Criteria.

In most instances, shipping a DEWALT battery pack will be excepted from being classified as a fully regulated Class 9 Hazardous Material. In general, only shipments containing a lithium-ion battery with an energy rating greater than 100 Watt Hours (Wh) will require being shipped as fully regulated Class 9. All lithium-ion batteries have the Watt Hour rating marked on the pack. Furthermore, due to regulation complexities, DEWALT does not recommend air shipping lithium-ion battery packs alone regardless of Watt Hour rating. Shipments of tools with batteries (combo kits) can be air shipped as excepted if the Watt Hour rating of the battery pack is no greater than 100 Whr. Regardless of whether a shipment is considered excepted or fully regulated, it is the shipper's responsibility to consult the latest regulations for packaging, labeling/marketing and documentation requirements.

The information provided in this section of the manual is provided in good faith and believed to be accurate at the time the document was created. However, no warranty, expressed or implied, is given. It is the buyer's responsibility to ensure that its activities comply with the applicable regulations.

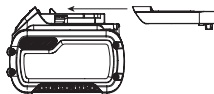
### Transporting the FLEXVOLT™ Battery

The DEWALT FLEXVOLT™ battery has two modes: **Use** and **Transport**.

**Use Mode:** When the FLEXVOLT™ battery stands alone or is in a DEWALT 18V (20V Max) product, it will operate as an 18V (20V Max) battery. When the FLEXVOLT™ battery is in a 54V (60V Max) or a 108V (120V Max) (two 54V (60V Max) batteries) product, it will operate as a 54V (60V Max) battery.

**Transport Mode:** When the cap is attached to the FLEXVOLT™ battery, the battery is in Transport mode. Keep the cap for shipping.

When in Transport mode, strings of cells are electrically disconnected within the pack resulting in 3 batteries with a lower Watt hour (Wh) rating as compared to 1 battery with a higher Watt hour rating. This increased quantity of 3 batteries



with the lower Watt hour rating can exempt the pack from certain shipping regulations that are imposed upon the higher Watt hour batteries.

For example, the Transport Wh rating might indicate 3 x 36 Wh, meaning 3 batteries of 36 Wh each. The Use Wh rating might indicate 108 Wh (1 battery implied).



**Use: 108 Wh**

**Transport: 3x36 Wh**

## Storage Recommendations

1. The best storage place is one that is cool and dry away from direct sunlight and excess heat or cold. For optimum battery performance and life, store battery packs at room temperature when not in use.
2. For long storage, it is recommended to store a fully charged battery pack in a cool, dry place out of the charger for optimal results.

**NOTE:** Battery packs should not be stored completely depleted of charge. The battery pack will need to be recharged before use.

## Labels on Charger and Battery Pack

In addition to the pictographs used in this manual, the labels on the charger and the battery pack may show the following pictographs:



Read instruction manual before use.



See **Technical Data** for charging time.



Do not probe with conductive objects.



Do not charge damaged battery packs.



Do not expose to water.



Have defective cords replaced immediately.



Charge only between 4 °C and 40 °C.



Only for indoor use.



Discard the battery pack with due care for the environment.

**LI-ION**



Charge DEWALT battery packs only with designated DEWALT chargers. Charging battery packs other than the designated DEWALT batteries with a DEWALT charger may make them burst or lead to other dangerous situations.



Do not incinerate the battery pack.



USE (without transport cap). Example: Wh rating indicates 108 Wh (1 battery with 108 Wh).



TRANSPORT (with built-in transport cap). Example: Wh rating indicates 3 x 36 Wh (3 batteries of 36 Wh).

## Battery Type

The DCW600, DCW604 operate on a 18 volt (20 volt Max) battery pack.

These battery packs may be used: DCB181, DCB182, DCB183, DCB183B, DCB184, DCB184B, DCB185, DCB187, DCB189, DCB546, DCB547, DCB548. Refer to **Technical Data** for more information. Package Contents

## The package contains:

### DCW600

- 1 Router with fixed base
- 1 Fixed base dust collection
- 1 Basic parallel fence
- 1 Collet 8 mm
- 1 Collet 6mm (1/4")
- 1 Wrench
- 1 Round subbase

### DCW604

- 1 Router with fixed base and plunge base
- 1 Round subbase
- 1 Plunge base dust collection
- 1 Fixed base dust collection
- 1 Basic parallel fence
- 1 Plunge base parallel fence
- 1 Collet 8 mm
- 1 Collet 6mm (1/4")
- 1 Wrench
- 1 Centring tool
- 1 Li-Ion battery pack (C1, D1, L1, M1, P1, S1, T1, X1, Y1 models)
- 2 Li-Ion battery packs (C2, D2, L2, M2, P2, S2, T2, X2, Y2 models)
- 3 Li-Ion battery packs (C3, D3, L3, M3, P3, S3, T3, X3, Y3 models)
- 1 Instruction manual

**NOTE:** Battery packs, chargers and kitboxes are not included with N models. Battery packs and chargers are not included with NT models. B models include Bluetooth® battery packs.

**NOTE:** The Bluetooth® word mark and logos are registered trademarks owned by the Bluetooth®, SIG, Inc. and any use of such marks by DEWALT is under license. Other trademarks and trade names are those of their respective owners.

- Check for damage to the tool, parts or accessories which may have occurred during transport.

- Take the time to thoroughly read and understand this manual prior to operation. Markings on Tool

The following pictograms are shown on the tool:



Read instruction manual before use.



Wear ear protection.



Wear eye protection.



Visible radiation. Do not stare into light.

## Date Code Position (Fig. C)

The date code **22**, which also includes the year of manufacture, is printed into the housing.

Example:

2019 XX XX

Year of Manufacture

## Description (Fig. A)



**WARNING:** Never modify the power tool or any part of it. Damage or personal injury could result.

- |                           |                             |
|---------------------------|-----------------------------|
| 1 Battery pack            | 12 Locking lever            |
| 2 Battery release button  | 13 D-shaped subbase         |
| 3 On/Off switch           | 14 Turret stop              |
| 4 Variable speed dial     | 15 Depth adjustment rod     |
| 5 Depth adjustment ring   | 16 Plunge lock lever        |
| 6 Motor                   | 17 Guide pins               |
| 7 Spindle lock button     | 18 Plunge base side handles |
| 8 Spindle                 | 19 Motor stop               |
| 9 Guide pin groove        | 20 Plunge subbase           |
| 10 Worklights             | 21 Round subbase            |
| 11 Micro-adjustment scale |                             |

## Intended Use

This tool is designed for professional medium-duty routing of wood, wood products and plastics with 6–8 mm shank bits.

**DO NOT** use under wet conditions or in the presence of flammable liquids or gases.

**DO NOT** let children come into contact with the tool. Supervision is required when inexperienced operators use this tool.

- **Young children and the infirm.** This appliance is not intended for use by young children or infirm persons without supervision.
- This product is not intended for use by persons (including children) suffering from diminished physical, sensory or mental abilities; lack of experience, knowledge or skills unless they are supervised by a person responsible for their safety. Children should never be left alone with this product.

## ASSEMBLY AND ADJUSTMENTS



**WARNING:** To reduce the risk of serious personal injury, turn tool off and disconnect battery pack before making any adjustments or removing/ installing attachments or accessories. An accidental start-up can cause injury.



**WARNING:** Use only DEWALT battery packs and chargers.

### Inserting and Removing the Battery Pack from the Tool (Fig. C)

**NOTE:** Make sure your battery pack ① is fully charged.

#### To Install the Battery Pack into the Tool Handle

1. Align the battery pack ① with the rails inside the tool's handle (Fig. C).
2. Slide it into the handle until the battery pack is firmly seated in the tool and ensure that you hear the lock snap into place.

#### To Remove the Battery Pack from the Tool

1. Press the release button ② and firmly pull the battery pack out of the tool handle.
2. Insert battery pack into the charger as described in the charger section of this manual.

### Fuel Gauge Battery Packs (Fig. C)

Some DEWALT battery packs include a fuel gauge which consists of three green LED lights that indicate the level of charge remaining in the battery pack.

To actuate the fuel gauge, press and hold the fuel gauge button ④. A combination of the three green LED lights will illuminate designating the level of charge left. When the level of charge in the battery is below the usable limit, the fuel gauge will not illuminate and the battery will need to be recharged.

**NOTE:** The fuel gauge is only an indication of the charge left on the battery pack. It does not indicate tool functionality and is subject to variation based on product components, temperature and end-user application.

### Bit Installation and Removal (Fig. D)

#### To Install the Bit

1. Remove the motor unit from the base unit. Refer to **Removing the Motor from the Fixed Base** or **Removing the Motor from the Plunge Base** (if needed).
2. Clean and insert the round shank of the desired router bit into the loosened collet as far as it will go and then pull it out about 1.6 mm.
3. Depress the spindle lock button ⑦ to hold the spindle shaft in place while turning the collet nut ②③ clockwise with the wrench provided.

**NOTE:** The unit is equipped with multiple spindle lock detents allowing an optional "manual ratchet" method of tightening the bit.

#### To tighten with the "manual ratchet" method:

- a. Without removing the wrench from the collet nut ②③, release pressure on the spindle lock button ⑦.

- b. With the wrench still on the collet nut, reverse the tightening direction to reset the wrench position.
- c. Depress the spindle lock button again and turn the wrench clockwise.
- d. Repeat the procedure until the collet nut reaches desired tightness.

**NOTICE:** Avoid possible damage to the collet. Never tighten the collet without a bit.

#### To Remove the Bit

1. Remove the motor unit from the base unit (refer to **Removing the Motor from the Fixed Base** or **Removing the Motor from the Plunge Base**).
2. Depress the spindle lock button ⑦ to hold the spindle shaft in place while turning the collet nut ②③ anticlockwise with the wrench provided.

#### To loosen using the "manual ratchet" method:

1. Without removing the wrench from the collet nut ②③, release pressure on the spindle lock button ⑦.
2. With the wrench still on the collet nut ②③, reverse the loosening direction to reset the wrench position.
3. Depress the spindle lock button ⑦ again and turn the wrench anticlockwise.
4. Repeat the procedure until the collet nut ②③ is loose and the bit can be removed.

### Collets

**NOTE:** Never tighten the collet without first installing a router bit in it. Tightening an empty collet, even by hand, can damage the collet.

To change collet sizes, unscrew the collet assembly as described above. Install the desired collet by reversing the procedure. The collet and the collet nut are connected. Do not attempt to remove the collet from the collet nut.

### Locking Lever Adjustment (Fig. E)

Excessive force should not be used to clamp the locking lever. Using excessive force may damage the base.

When the locking lever is clamped, the motor should not move in the base.

Adjustment is needed if the locking lever will not clamp without excessive force or if the motor moves in the base after clamping.

#### To adjust the locking lever's clamping force:

1. Open the locking lever ⑫ (fixed base) or ④① (plunge base).
2. Using a hex wrench turn locking lever adjustment screw ②④ in small increments. Turning the screw clockwise tightens the lever, while turning the screw anticlockwise loosens the lever.

### Centring the Subbase (Fig. A, F1–F3)

If you need to adjust, change, or replace a subbase, a centring tool is recommended. The centring tool consists of a cone and a pin.

#### To adjust a subbase, follow the steps below.

Figure F1 shows adjusting the D-shaped subbase on the fixed base.



Figure F2 shows adjusting the subbase on the plunge base.  
Figure F3 shows adjusting the round subbase on the fixed base.

1. Loosen but do not remove the subbase screws **25** so the subbase moves freely.
2. Insert the pin into the collet and tighten the collet nut.
3. Insert the motor into the base and clamp the locking lever **12** / **40** on the base.
4. Place the cone on the pin and lightly press down on the cone until it stops. This will centre the subbase.
5. While holding down on the cone, tighten the subbase screws.

## Using Template Guides

The plunge subbase will accept template guides. On the fixed base, the round subbase will be needed to accept template guides.

**NOTE:** The D-shaped subbase does not accommodate template guides and is designed to accommodate cutters up to 30 mm in diameter.

### To Use Template Guides

1. Install template guide to subbase using two screws and tighten securely.
2. Centre the subbase. Refer to *Centring the Subbase*.

## Installing a Fixed Base Parallel Fence (Fig. G)

A parallel fence (model DE6913) for your fixed base is included.

1. Remove the motor from the fixed base. Refer to *Removing the Motor from the Fixed Base*.
2. Remove flat head screws **27** from storage holes on parallel fence.
3. Slide parallel fence **26** into parallel fence slot **28** on side of fixed base (Fig. G). Insert the two flat head screws through the appropriate holes in the subbase to secure the edge guide. Tighten hardware.
4. Follow all instructions included with the parallel fence.

**NOTE:** To remove the parallel fence, reverse the above procedure. After removing parallel fence always replace the two flat head screws **27** into the storage holes on the parallel fence to prevent loss.

## Installing a Plunge Base Parallel Fence with Guide Rods, DCW604 Only (Fig. H)

A parallel fence with guide rods may be included with your plunge base unit. A premium parallel fence (model DE6913) is also available from your local retailer or service centre at extra cost.

1. Attach the guide rods **36** to the plunge router base.
2. Attach the thumb screws **37** and springs **38** to the base.
3. Tighten the thumb screws **37**.
4. Slide the parallel fence **39** over the rods.
5. Attach thumb screws **37** and springs **38** to the parallel fence.
6. Tighten the thumb screws temporarily. Refer to *Adjusting the Parallel Fence*.

## Adjusting the Parallel Fence (Fig. A, H)

Follow the assembly instructions included with the parallel fence.

1. Draw a cutting line on the material.
2. Lower the router carriage until the cutter is in contact with the workpiece.
3. Lock the plunge mechanism by releasing the plunge lock lever **16**.
4. Position the router on the cutting line. The outer cutting edge of the cutter must coincide with the cutting line.
5. Slide the parallel fence **39** against the workpiece and tighten the thumb screws **37**.

## Attaching a Dust Extraction System to the Fixed Base (Fig. I)

To connect the router to a dust extraction system for dust collection, follow these steps:

1. Remove the motor unit from the base. Refer to *Removing the Motor from the Fixed Base*.
2. Attach dust extraction system attachment accessory **29** to the base as shown. Tighten thumb screws **30** securely by hand.
3. Attach hose adapter to dust extraction system attachment accessory.
4. When using dust extraction system attachment, be aware of the placement of the dust extraction system. Be sure that the dust extraction system is stable and that its hose will not interfere with the work.

## Attaching a Dust Extraction System to the Plunge Base, DCW604 Only (Fig. J)

1. Remove the motor unit from the base. Refer to *Removing the Motor from the Plunge Base*.
2. Slide tab **31** (inset) on dust extraction system attachment **35** into slot in plunge base and snap tab **32** (inset) into hole in plunge base.
3. Secure to base with supplied plastic washer **33** and thumb screw **34**. Tighten thumb screw securely by hand.
4. Attach hose adaptor to dust extraction system attachment.

When using dust extraction system attachment, be aware of the placement of the dust extraction system. Be sure the dust extraction system is stable and its hose will not interfere with the work.

## Set-Up: Fixed Base (Fig. A, K, L)

### Inserting the Motor into the Fixed Base

1. Open the locking lever **12** on the base.
2. If the depth adjustment ring **5** is not on the motor **6**, thread the depth adjustment ring onto the motor until the ring is about halfway between the top and bottom of the motor as shown. Insert the motor into the base by aligning the groove on the motor **6** with the guide pins **17** on the base. Slide the motor down until the depth adjustment ring snaps into place.

**NOTE:** Guide pin grooves **9** are located on either side of the motor so it can be positioned in two orientations.

- Adjust the depth of cut by turning the depth adjustment ring. Refer to **Adjusting the Depth of Cut**.
- Close the locking lever **12** when the desired depth is achieved. For information on setting the cutting depth, refer to **Adjusting the Depth of Cut**.

### Adjusting the Depth of Cut (Fig. L)

- Open the locking lever **12** and turn the depth adjustment ring **5** until the bit just touches the work piece. Turning the ring clockwise raises the cutting head while turning it anticlockwise lowers the cutting head.
- Turn the micro-adjustment scale **11** clockwise until the 0 on the scale lines up with the pointer on the bottom of the depth adjustment ring.
- Turn the depth adjustment ring until the pointer lines up with desired depth of cut marking on the micro-adjustment scale **11**.

**NOTE:** Each mark on the adjustment scale represents a depth change of 0.4 mm and one full (360°) turn of the ring changes the depth 12.7 mm.

- Close the locking lever **12** to lock the base.

### Removing the Motor from the Fixed Base (Fig. K)

- Remove the battery pack from the motor. Refer to **Installing and Removing the Battery Pack**.
- Open the locking lever **12** on the base.
- Grasp the motor unit with one hand, depressing both quick release tabs **45**.
- With the other hand, grasp the base and pull motor from the base.

## Set-Up: Plunge Base, DCW604 Only (Fig. A, M)

### Inserting the Motor into the Plunge Base

- Remove the depth adjustment ring **5** from the motor **6**. It is not used with the plunge base.

**NOTE:** Snap depth adjustment ring onto fixed base, when not in use, to prevent loss.

- Open the plunge base locking lever **40**.
- Making sure the spindle lock button is facing front, insert the motor **6** into the base by aligning the groove on the motor with the guide pins **17** on the base. Slide the motor down until the motor stops on the motor stop **19**.
- Close the locking lever **40**.

### Adjusting the Plunge Routing Depth (Fig. M)



**WARNING: Laceration hazard. Do not change the turret stop while the router is running. This will place your hands too near the cutter head.**



**WARNING: To prevent loss of control, ALWAYS tighten the travel-limiting nuts together. Inadvertent movement could prevent full bit retraction.**



**WARNING: To prevent loss of control, set the travel-limiting nuts so that bit can be retracted into the base of the router, clear of the workpiece.**



**WARNING: To reduce the risk of injury, NEVER adjust or remove the stop nut. Motor can disengage resulting in loss of control.**



**CAUTION: Turn the router on before plunging the cutter head into the workpiece.**

- Unlock the plunge mechanism by pulling down the plunge lock lever **16**. Gently push down on the two handles to plunge the router down as far as it will go, allowing the bit to just touch the workpiece.
- Lock the plunge mechanism by releasing the plunge lock lever **16**.
- Loosen the depth adjustment rod **15** by turning the thumb screw **41** anticlockwise.
- Slide the depth adjustment rod **15** down so that it meets the lowest turret stop **14**.
- Slide the zero adjuster tab **42** on the depth adjustment rod down so that the top of it meets zero on the depth adjustment scale **43**.
- Grasping the top, knurled section of the depth adjustment rod **15**, slide it up so that the tab **42** aligns with the desired depth of cut on the depth adjustment scale **43**.
- Tighten the thumb screw **41** to hold the depth adjustment rod in place.
- Keeping both hands on the handles, unlock the plunge mechanism by pulling the plunge lock lever **16** down. The plunge mechanism and the motor will move up. When the router is plunged, the depth adjustment rod will hit the turret stop, allowing the router to reach exactly the desired depth.

### Using the Rotating Turret for Stepped Cuts (Fig. M)

If the depth of cut required is more than is acceptable in a single pass, rotate the turret so that depth rod **15** lines up with taller turret stop initially. After each cut, rotate the turret so that the depth stop lines up with shorter post until the final depth of cut is reached.



**WARNING: Do not change the turret stop while the router is running. This will place your hands too near the cutter head.**

### Fine Adjustment of Routing Depth (Fig. M)

The knurled knob **44** at the bottom end of the depth adjustment rod can be used to make minor adjustments.

- To decrease the cutting depth, rotate the knob clockwise (looking down from the top of the router).
- To increase the cutting depth, rotate the knob anticlockwise (looking down from the top of the router).

**NOTE:** One complete rotation of the knob results in a change of about 1 mm in depth.



## Removing the Motor from the Plunge Base (Fig. M)

1. Remove the battery pack from the motor. Refer to *Installing and Removing the Battery Pack*.
2. Open the locking lever **40** on the base.
3. Grasp the motor unit with one hand and the base with the other hand, pull motor from the plunge base.

## OPERATION

### Instructions for Use



**WARNING:** Always observe the safety instructions and applicable regulations.



**WARNING:** To reduce the risk of serious personal injury, turn tool off and disconnect battery pack before making any adjustments or removing/installing attachments or accessories. An accidental start-up can cause injury.

### Proper Hand Position (Fig. N1, N2)



**WARNING:** To reduce the risk of serious personal injury, ALWAYS use proper hand position as shown.



**WARNING:** To reduce the risk of serious personal injury, ALWAYS hold securely in anticipation of a sudden reaction.

When using the fixed base, one hand should be on top of the battery and the other hand around the fixed base (Fig. N1).

When using the plunge base, grasp the side handles firmly as shown in Fig. N2.

### Starting and Stopping the Motor (Fig. A)



**CAUTION:** Before starting the tool, clear the work area of all foreign objects. Also keep firm grip on tool to resist starting torque.



**CAUTION:** To avoid personal injury and/or damage to finished work, always allow the power unit to come to a COMPLETE STOP before putting the tool down.

To turn unit on, depress the side of the dust-protected switch **3** that reads "ON" and corresponds to the symbol "I." To turn the unit off, depress the side of the switch that reads "OFF" and corresponds with the symbol "O."

### Cutting with the Fixed Base (Fig. C)

Set up the router to use the fixed base by following the instructions in the *Assembly and Adjustments* section.

After the router is set-up, install the battery pack as shown in Fig. C, then set your router speed (refer to *Choosing Router Speed*).

**NOTE:** Always feed the router opposite to the direction in which the cutter is rotating.

### Cutting with the Plunge Base, DCW604 Only (Fig. A)

**NOTE:** The depth of cut is locked in the plunge base's default state. The plunge lock requires user actuation to enable the "release to lock" plunge mechanism.

1. Depress the plunge lock lever **16** and plunge the router down until the bit reaches the set depth.
2. Release the plunge lock lever **16** when desired depth is reached.
 

**NOTE:** Releasing the plunge lock lever automatically locks the motor in place.

**NOTE:** If additional resistance is needed, use the hand to depress the plunge lock lever.

**NOTE:** If additional clamping strength is required, press the lock lever further to tighten in the clockwise direction.
3. Perform the cut.
4. Depressing the plunge lock lever will disable the locking mechanism allowing the router bit to disengage from the workpiece.
5. Turn the router off.

### Direction of Feed (Fig. O)

The direction of feed is very important when routing and can make the difference between a successful job and a ruined project. The figures show the proper direction of feed for some typical cuts. A general rule to follow is to move the router in a anticlockwise direction on an outside cut and a clockwise direction on an inside cut.

#### Shape the outside edge of a piece of stock by following these steps:

1. Shape the end grain, left to right.
2. Shape the straight grain side moving left to right.
3. Cut the other end grain side.
4. Finish the remaining straight grain edge.

### Choosing Router Speed (Fig. A)

Refer to the *Speed Selection Chart* to choose a router speed. Turn the variable speed dial **4** to control router speed.

#### Soft Start Feature

The compact routers are equipped with electronics to provide a soft start feature that minimizes the start up torque of the motor.

#### Variable Speed Control (Fig. A)

This router is equipped with a variable speed dial **4** with 7 speeds between 16000 and 25500 RPM. Adjust the speed by turning the variable speed dial **4**.

**NOTICE:** In low and medium speed operation, the speed control prevents the motor speed from decreasing. If you expect to hear a speed change and continue to load the motor, you could damage the motor by overheating. Reduce the depth of cut and/or slow the feed rate to prevent tool damage.

The compact routers are equipped with electronics to monitor and maintain the speed of the tool while cutting.

SPEED SELECTION CHART\*

DIAL SETTING	APPROX. RPM	APPLICATION
--------------	-------------	-------------

1	16000	Large diameter bits and cutters
2	17500	
3	19100	
4	20700	
5	22300	Small diameter bits and cutters. Softwoods, plastics, laminates.
6	23900	
7	25500	

\*The speeds in this chart are approximate and are for reference only. Your router may not exactly produce the speed listed for the dial setting.

**NOTE:** Make several light passes instead of one heavy pass for better quality work.

## Worklights (Fig. A)

The worklights **10** are located at the front of the motor **6**. To turn on the worklight, switch on the on/off switch **3**. Worklights will remain on 20 seconds after the on/off switch is moved to the off position.

**NOTE:** The worklights are for lighting the immediate work surface and are not intended to be used as a flashlight.

**NOTE:** If worklights flash, check the charge on the battery; it could be low. If they still flash with a charged battery, the unit should be taken to a service centre for evaluation.

## MAINTENANCE

Your power tool has been designed to operate over a long period of time with a minimum of maintenance. Continuous satisfactory operation depends upon proper tool care and regular cleaning.



**WARNING:** To reduce the risk of serious personal injury, turn tool off and disconnect battery pack before making any adjustments or removing/installing attachments or accessories. An accidental start-up can cause injury.

The charger and battery pack are not serviceable.



## Lubrication

Your power tool requires no additional lubrication.



## Cleaning



**WARNING:** Blow dirt and dust out of the main housing with dry air as often as dirt is seen collecting in and around the air vents. Wear approved eye protection and approved dust mask when performing this procedure.



**WARNING:** Never use solvents or other harsh chemicals for cleaning the non-metallic parts of the tool. These chemicals may weaken the materials used in these parts. Use a cloth dampened only with water and mild soap. Never let any liquid get inside the tool; never immerse any part of the tool into a liquid.

## Waxing Motor and Base

To maintain a smooth action when moving the motor unit in relation to the base, the outside of the motor unit and the inside of the base can be waxed using any standard paste or liquid wax. Per the manufacturers instructions, rub the wax onto the outside diameter of the motor unit and the inside diameter of the base. Allow wax to dry and buff off residue with a soft cloth.

## Optional Accessories



**WARNING:** Since accessories, other than those offered by DEWALT, have not been tested with this product, use of such accessories with this tool could be hazardous. To reduce the risk of injury, only DEWALT recommended accessories should be used with this product.

Consult your dealer for further information on the appropriate accessories.

## Protecting the Environment



Separate collection. Products and batteries marked with this symbol must not be disposed of with normal household waste.



Products and batteries contain materials that can be recovered or recycled reducing the demand for raw materials. Please recycle electrical products and batteries according to local provisions. Further information is available at [www.2helpU.com](http://www.2helpU.com).

## Rechargeable Battery Pack

This long life battery pack must be recharged when it fails to produce sufficient power on jobs which were easily done before. At the end of its technical life, discard it with due care for our environment:

- Run the battery pack down completely, then remove it from the tool.
- Li-Ion cells are recyclable. Take them to your dealer or a local recycling station. The collected battery packs will be recycled or disposed of properly.

# 플런지 라우터

## DCW600, DCW604

### 축하합니다!

DEWALT 공구를 선택해 주셔서 감사합니다. 제품 개발과 혁신을 통한 다년간의 경험은 DEWALT를 전문 전동 공구 사용자들이 가장 믿을 수 있는 제품으로 만들어 왔습니다.

### 기술 데이터

		DCW600	DCW604
전압	V <sub>DC</sub>	18(20V 최대)	18(20V 최대)
배터리 유형		리튬 이온	리튬 이온
소비 전력	W	930	930
무부하 속도	rpm	16000–25500	16000–25500
라우터 왕복대		1열	2열
라우터 왕복대 스트로크	mm	55	55
콜릿 크기	mm	6	6
커터 직경, 최대		30	30
무게(배터리 팩 제외)	kg	1.54	2.40



**경고:** 부상 위험을 줄이려면 사용 설명서를 숙지하십시오.

### 정의: 안전 지침

다음 정의는 각 경고 문구의 심각도를 설명합니다. 사용 설명서를 읽고 다음 기호들에 유의하십시오.



**위험:** 절박한 위험 상태를 나타내며, 방지하지 않으면 **사망** 또는 **심각한 부상**을 초래합니다.



**경고:** 잠재적 위험 상태를 나타내며, 방지하지 않으면 **사망** 또는 **심각한 부상**을 초래할 수 있습니다.



**주의:** 잠재적으로 위험한 상태를 나타내며, 방지하지 않으면 **경미하거나 가벼운 부상**을 초래할 수 있습니다.

**참고:** 신체 부상을 초래하지 않는 행위를 나타내며 방지하지 않으면 **재산상의 손해**가 발생할 수 있습니다.



감전 위험을 나타냅니다.



화재 위험을 나타냅니다.

### 전동 공구에 관한 일반 안전 경고



**경고:** 이 전동 공구와 함께 제공되는 모든 안전 경고와 **지시사항, 설명 및 사양을 읽으십시오.** 아래 설명한 모든 지시 사항을 따르지 않으면 감전, 화재 및/또는 심각한 부상을 초래할 수 있습니다.

배터리				충전기/충전 시간(분)					
카테고리 번호	V <sub>DC</sub>	Ah	무게(Kg)	DCB107	DCB112	DCB115	DCB118	DCB132	DCB119
DCB546	18/54	6.0/2.0	1.05	270	140	90	60	90	X
DCB606	20/60	6.0/2.0	1.05	270	140	90	60	90	X
DCB547	18/54	9.0/3.0	1.25	420	220	140	85	140	X
DCB609	20/60	9.0/3.0	1.25	420	220	140	85	140	X
DCB181	18	1.5	0.35	70	35	22	22	22	45
DCB182	18	4.0	0.61	185	100	60	60	60	120
DCB204	20	4.0	0.61	185	100	60	60	60	120
DCB183/B	18	2.0	0.40	90	50	30	30	30	60
DCB203	20	2.0	0.40	90	50	30	30	30	60
DCB184/B	18	5.0	0.62	240	120	75	75	75	150
DCB205	20	5.0	0.62	240	120	75	75	75	150
DCB185	18	1.3	0.35	60	30	22	22	22	X
DCB187	18	3.0	0.48	140	70	45	45	45	90

### 항후 참고할 수 있도록 모든 경고 및 지시 사항을 보관해두십시오.

경고에서 사용된 "전동 공구"라는 용어는 주 공급 전원에 의해 전기가 공급되는(유선) 전동 공구 또는 충전식(무선) 전동 공구를 의미합니다.

#### 1) 작업장 안전

- 작업장을 항상 청결하고 밝게 유지하십시오.** 혼잡하거나 어두운 작업장에서는 사고가 발생하기 쉽습니다.
- 가연성 액체, 가스 또는 먼지 등이 있는 폭발성 대기에서 전동 공구를 사용하지 마십시오.** 전동 공구에서 먼지나 가스를 발사시킬 수 있는 불꽃이 될 수 있습니다.

- 전동 공구로 작업하는 동안에는 어린이와 주변 사람들이 작업 영역에 가까이 들어오지 못하도록 하십시오.** 주변이 산만해져 통제력을 잃을 수 있습니다.

#### 2) 전기 안전

- 전동공구의 플러그는 콘센트와 형식이 일치해야 하며, 플러그를 어떤 형태로든 개조하지 마십시오. 또한 접지된 전동공구에 다른 어댑터 플러그를 사용하지 마십시오.** 개조되지 않은 플러그 및 형식이 일치하는 콘센트를 사용하면 감전 위험이 줄어듭니다.

- b) 파이프 관, 라디에이터, 렌치, 방장고 등의 접지 표면에 물이 닿지 않도록 하십시오. 몸에 닿을 경우 감전이 될 위험이 높아집니다.
- c) 전동 공구를 비 또는 습한 환경에 노출하지 않도록 주의하십시오. 전동 공구에 물이 들어가면 감전 위험이 높아집니다.
- d) 코드를 함부로 다루지 마십시오. 코드를 사용하여 전동공구를 운반하거나, 코드를 과도하게 잡아당겨서 플러그를 뽑지 않도록 주의 하십시오. 전열코드가 열기 또는 오일과 접촉되는 것을 피하고, 날카로운 모서리 또는 기기의 기동 부위에 닿지 않도록 주의 하십시오. 코드가 손상되거나 얽혀 있으면 감전 위험이 높아집니다.
- e) 전동 공구를 실외에서 사용할 때는 실외 사용에 적합한 연장 코드를 사용하십시오. 실외 사용에 적합한 코드를 사용하면 감전 위험이 줄어듭니다.
- f) 전동공구를 습한 공간에서 사용할 경우, 반드시 누전 차단기(RCD)를 사용하십시오. RCD를 사용하면 감전 위험이 줄어듭니다.

**3) 신체 안전 사항**

- a) 전동 공구로 작업할 때는 방심하지 말고 작업에 주의하면서 상식에 따르십시오. 피곤한 상태이거나 약물, 술, 치료제를 복용한 상태에서는 전동 공구를 사용하지 마십시오. 전동 공구를 사용하다 잠깐만 한눈을 팔아도 심각한 부상을 당할 수 있습니다.
- b) 신체 보호 장비를 착용하십시오. 항상 보안경을 착용하십시오. 적절한 상황에서 방진 마스크, 미끄럼 방지 안전화, 안전모 또는 청력 보호 기구 등의 보호 장비를 사용하면 신체 부상 위험이 줄어듭니다.
- c) 의도하지 않은 장비 가동 방지. 전원 및/또는 배터리 팩에 연결한 상태로 공구를 선택 또는 운반할 때는 사전에 스위치가 꺼짐 위치에 있는지 반드시 확인하십시오. 스위치가 켜짐 위치에 있는 상태에서 스위치에 손가락이 닿은 상태로 전동 공구를 운반하거나 전동 공구에 전원을 공급하면 사고가 발생합니다.
- d) 전동 공구를 켜기 전에 모든 조정 키 또는 렌치를 제거하십시오. 전동 공구의 회전 부품에 렌치나 키가 부착되어 있으면 부상을 당할 수 있습니다.
- e) 무리하게 팔을 뽑지 마십시오. 항상 올바른 자세로 서서 균형을 유지하십시오. 안정된 자세로 작업을 할 경우 전동 공구를 안전하게 사용할 수 있습니다.
- f) 적절한 의복을 착용하십시오. 헐렁한 옷이나 장신구를 착용하지 마십시오. 머리카락과 옷이 움직이는 부품에 닿지 않도록 유의하십시오. 헐렁한 옷, 장신구 또는 긴 머리가 움직이는 부품에 걸 수 있습니다.
- g) 먼지 배출 및 집진 시설 연결을 위한 장치가 제공된 경우, 이를 장치가 연결되어 적절히 사용되고 있는지 반드시 확인하십시오. 집진 장치를 사용하면 먼지와 관련된 위험을 줄일 수 있습니다.
- h) 장치를 자주 사용함으로써 생긴 익숙함으로 인해 현실에 अनु주하거나 공구 안전 원칙을 무시하지 않도록 하십시오. 부주의한 작동은 순식간에 심각한 부상을 야기할 수 있습니다.

**4) 전동 공구 사용 및 관리**

- a) 전동 공구에 무리한 힘을 가하지 마십시오. 해당 용도에 맞는 올바른 전동 공구를 사용하십시오. 올바른 전동 공구를 사용해야 설계된 속도로 작업을 더욱 안전하고 정확하게 수행할 수 있습니다.

- b) 켜지지 않거나 꺼지지 않는 경우 전동 공구를 사용하지 마십시오. 스위치로 제어되지 않는 전동 공구는 위험하므로 수리해야 합니다.
- c) 전동 공구를 조정하거나 액세서리를 변경하거나 보관하기 전에 전동 공구에서 분리되는 경우 전원에서 플러그를 뽑거나 또는 배터리 팩을 분리하십시오. 이러한 예방적 안전 조치를 따라야 전동 공구가 갑자기 작동할 위험이 줄어듭니다.
- d) 사용하지 않는 전동 공구는 어린이의 손이 닿지 않는 곳에 보관하고, 전동 공구나 본 지시 사항에 익숙하지 않은 사람이 전동 공구를 절대 사용하지 못하게 하십시오. 전동 공구는 훈련을 받지 않은 사용자가 다르면 위험합니다.
- e) 전동 공구 및 액세서리 유지 보수. 움직이는 부품의 잘못된 정렬이나 바인딩, 부품 파손 및 기타 전동 공구의 작동에 영향을 미칠 수 있는 기타 모든 상태를 확인하십시오. 손상된 부분이 있는 경우 사용하지 전에 전동 공구를 수리하십시오. 많은 사고는 전동 공구를 제대로 유지 보수하지 않아 발생합니다.
- f) 공구를 깨끗한 상태로 유지하십시오. 절삭 가장자리를 예리하게 잘 유지하면 절삭기를 사용할 때 바인딩이 적고 다루기가 용이합니다.
- g) 작업 환경과 수행할 작업을 고려하여, 본 지시 사항에 따라 전동 공구, 액세서리 및 볼 비트 등을 사용하십시오. 본 사용 설명서의 내용과 다른 용도로 전동 공구를 사용하면 위험한 상황이 발생할 수 있습니다.
- h) 핸들과 잡는 표면은 건조하고 깨끗한 상태를 유지하고 오일/기름이 묻지 않도록 하십시오. 미끄러운 핸들과 잡는 면은 예기치 못한 상황에서 안전한 취급과 공구 관리를 보장하지 않습니다.

**5) 배터리 공구 사용 및 주의 사항**

- a) 다시 충전할 때는 제조업체에서 지정한 충전기만 사용하십시오. 하나의 배터리 팩 유형에 적합한 충전기를 다른 배터리 팩과 함께 사용할 경우 화재의 위험이 있습니다.
- b) 전동 공구를 사용할 때는 구체적으로 지정되어 있는 배터리 팩만 사용하십시오. 다른 배터리 팩을 사용하면 부상을 입거나 화재의 위험이 있습니다.
- c) 배터리 팩을 사용하지 않을 때에는 클림, 동전, 키, 못, 나사 등의 금속 물체나, 단자 간에 연결할 수 있는 작은 금속 물체가 닿지 않도록 멀리 두십시오. 배터리 단자가 단락되면 화상을 입거나 화재의 위험이 있습니다.
- d) 배터리를 과다 사용하면 액체가 배터리에서 흘러 나올 수 있으므로, 접촉을 피하십시오. 실수로 접촉한 경우에는 물로 씻으십시오. 액체가 눈에 들어간 경우 치료를 받으십시오. 배터리에서 나온 액체는 통증을 유발하거나 화상을 입힐 수 있습니다.
- e) 손상되거나 변경된 배터리 팩 또는 공구를 사용하지 마십시오. 손상되거나 개조된 배터리는 예측할 수 없는 작용을 보여, 화재, 폭발 또는 부상 위험을 야기할 수 있습니다.
- f) 배터리 팩 또는 공구를 불이나 과도한 온도에 노출하지 마십시오. 불 또는 130°C 이상의 온도에 노출되면 폭발할 수 있습니다.
- g) 모든 충전 지침을 따르고 배터리 팩 또는 공구를 설명서에 지정된 범위 밖의 온도에서 충전하지 마십시오. 적절하지 않게 충전하거나 지정된 범위 밖의 온도에서 충전하면 배터리가 손상되어 화재 위험이 증가될 수 있습니다.

## 6) 정비

- a) 자격을 갖춘 기술자가 동일 교체 부품을 사용하여 정비 작업을 수행해야 합니다. 그래야 전통 공구의 안전이 보장됩니다.
- b) 손상된 배터리 팩을 정비하지 마십시오. 배터리 팩은 제조업체 또는 공인 서비스 공급업체를 통해서만 점검을 받아야 합니다.

## 서비스 컴팩트 햄머에 특정하게 적용되는 추가 안전 규칙

- 클램프 또는 다른 적절한 방식을 이용하여 안정된 작업대에 작업 공구들을 고정시키거나 지지하십시오. 작업물을 손으로 잡거나 몸으로 지탱하는 행동은 불안정하여 제어력을 잃을 수 있습니다.
- 금속을 절삭하지 마십시오.
- 핸들과 잡는 표면은 건조하고 깨끗한 상태를 유지하고 오일/기름이 묻지 않도록 하십시오. 그래야 공구를 보다 잘 제어할 수 있습니다.
- 기동 토크를 저항하려면 양손으로 라우터를 단단히 잡으십시오. 작업하는 동안에는 항상 공구를 단단히 잡으십시오.
- 일부 비트 설계는 안전 또는 성능을 위해 특정 속도를 요구하므로 항상 비트 제조업체의 속도 권장 사항을 준수하십시오. 적절한 속도에 대해 불확실하거나 어떠한 문제가 발생한 경우 비트 제조업체에 문의하십시오.
- 손은 절삭 부분에서 멀리 두십시오. 어떤 이유로든 작업을 아래에 손을 대지 마십시오. 절단할 때는 작업물에 닿는 라우터 아래 부분을 단단히 잡으십시오.
- 모터 장치가 라우터 베이스의 한 쪽에 끼워져 있지 않을 때는 절대로 모터 장치를 작동하지 마십시오. 모터는 휴대용으로 고안되지 않았습니다.
- 절단 압력을 일정하게 유지하십시오. 모터 과부하가 발생하면 안 됩니다.
- 날카로운 비트를 사용하십시오. 무딘 비트는 라우터에 압력을 가할 때 방향이 갑자기 바뀌거나 실속할 수 있습니다.
- 라우터를 내려놓기 전에 모터가 완전히 멈췄는지 확인하십시오. 공구를 내려놓았을 때 비트가 계속 돌아가고 있는 경우, 부상 또는 손상을 초래할 수 있습니다.
- 모터 시동을 걸기 전에 작업물에 라우터 비트가 없는지 확인하십시오. 모터를 시동할 때 비트가 작업물에 닿아 있을 경우, 라우터가 확 움직여서 손상 또는 부상을 초래할 수 있습니다.
- 항상 조정을 하거나 비트를 교환하기 전에 배터리를 제거하십시오.
- 부상을 방지하려면 모터가 작동 중일 때는 손에 비트가 없어야 합니다.
- 사용 후 비트를 절대 만지지 마십시오. 극도로 뜨거울 수 있습니다.
- 스루 커팅 시 작업물 아래에 라우터 비트를 위한 간격을 남겨 두십시오.
- 비트가 빠져 나가지 않도록 플랫 너트를 단단히 조이십시오.
- 비트 없이 플랫 너트를 절대 조이지 마십시오.
- 이 공구에는 직경이 30 mm를 초과하는 라우터 비트를 사용하지 마십시오.
- 클라임 커팅(그림 0와 같이 반대 방향에서 절단)을 피하십시오. 클라임 커팅은 제어력이 상실되는 기회가 증가하여 부상의 가능성을 높입니다. 클라임 커팅이 필요할 때는(코너 주면에서

뒤로 가게 함), 각별히 주의를 기울여서 라우터 제어를 잘 유지하십시오. 더 작게 절단하고 각 단계에서 최소의 물질을 제거하십시오.

- 항상 사용하는 공구의 플랫 크기에 해당하는 샤크 직경의 홀이 있는 칼, 슬로터 커터, 프로필 커터, 은축 커터 또는 일자형 커터를 사용하십시오.
- 항상 최소 30000분<sup>1</sup> 속도 및 그에 맞는 표시에 적합한 비트를 사용하십시오.
- 라우터를 거꾸로 또는 수평한 상태로 놓고 손으로 잡지 마십시오. 설명서에 따라 올바르게 장착되지 않을 경우 모터가 베이스에서 분리될 수 있습니다.
- 모터에 시동을 걸기 전에 작업장에서 모든 이물질을 치우십시오.
- 라우터 테이블에서 사용하지 마십시오.
- 항상 칩 보호장치(포함되어 있는 경우)를 깨끗하게 유지해서 제자리에 두십시오.
- 모터 작동 중에는 스펴을 잠금 버튼을 누르지 마십시오. 그렇게 하면 스펴을 잠금 장치가 손상될 수 있습니다.
- 항상 작업대에 못이나 기타 이물질이 없는지 확인하십시오. 못을 절단하면 비트와 공구가 확 움직일 수 있습니다. 기타 발생 가능한 위험

관련된 안전 규정을 준수하고 안전 장치를 사용한다고 해도 특정한 위험은 피할 수 없습니다. 이러한 위험은 다음과 같습니다.

- 청력 손상.
- 파편 날림으로 인한 신체 부상 위험.
- 작업 중 뜨거워지는 액세서리로 인한 화상 위험.
- 장시간 사용으로 인한 신체 부상의 위험.

### 본 지침을 잘 보관해 두십시오.

### 전기 안전

전기 모터는 한 가지 전압에만 맞추어 설계되었습니다. 배터리 팩 전압이 명판에 기재된 전압과 일치하는지 항상 확인하십시오. 또한 충전기의 전압이 주전원의 전압과도 일치하는지 확인하십시오.



DeWALT 충전기는 IEC60335에 따라 이중 절연되어 있습니다. 따라서 접지선이 필요하지 않습니다.

전원 코드가 손상된 경우에는 DeWALT 서비스 센터를 통해 특수 제작된 코드로 교체해야만 합니다.

### 연장 케이블 이용

연장 코드는 가끔씩 사용하지 마십시오. 사용 중인 전원공급기 정격전원에 맞는 승인된 연장 코드를 사용하십시오(기술 데이터 참조). 최소 도체 크기는 1 mm<sup>2</sup>, 최대 길이는 30 m입니다.

케이블 릴을 사용할 때는 항상 케이블을 완전히 푸십시오.

### 모든 배터리 충전기에 대한 중요한 안전 지침

**본 지침을 잘 보관해 두십시오.** 본 사용 설명서에는 호환이 되는 배터리 충전기에 대한 중요한 안전 및 작업 지침이 포함되어 있습니다(기술 데이터 참조).

- 충전기를 사용하기 전에 충전기, 배터리 팩, 그리고 배터리 팩 관련 제품에 대한 지침과 주의 표시를 숙지하십시오.



**경고:** 감전 위험. 충전기 내부에 액체가 들어가지 않도록 하십시오. 감전될 수 있습니다.



**경고:** 정격 전류 전류가 30mA 미만인 누전 차단기를 사용하는 것이 좋습니다.



**주의:** 화상 위험. 신체 부상의 위험을 줄이려면 DEWALT 충전용 배터리로만 충전하십시오. 다른 유형의 배터리는 폭발로 인한 신체 부상과 손상을 초래할 수 있습니다.





**주의:** 어린이가 본 제품을 가지고 놀지 못하도록 항상 주의해야 합니다.

**참고:** 특정 조건에서, 충전기가 전원 공급기에 연결되어 있으면 충전기 내부에 노출된 충전 접점이 이물질에 의해 단락될 수 있습니다. 철부스러기, 알루미늄 호일, 금속 입자 축적물 등의 전도성 이물질은 충전기 캐비티에 닿지 않게 해야 합니다. 캐비티 안에 배터리 팩이 없을 경우 항상 배터리 전원 공급기에서 충전기의 플러그를 뽑으십시오. 충전기를 청소할 때는 플러그를 뽑아야 합니다.

- **본 사용 설명서에 명시된 충전기 외의 다른 충전기로 배터리 팩을 충전하지 마십시오.** 본 충전기와 배터리 팩은 함께 사용하도록 특수 설계되었습니다.
- **이러한 충전기는 DEWALT 충전용 배터리 충전 이외의 용도로는 사용할 수 없습니다.** 다른 용도로 사용하면 화재, 감전 또는 감전사의 위험이 있습니다.
- **충전기가 비나 눈을 맞지 않도록 하십시오.**
- **충전기를 분리할 경우 코드가 아니라 플러그를 뽑으십시오.** 그래야만 전기 플러그 및 코드 손상의 위험이 줄어듭니다.
- **코드가 밟히거나 걸리거나 기타 원인에 의해 손상되거나 압박을 받지 않도록 유의하십시오.**
- **불가피한 경우가 아니면 연장 코드를 사용하지 마십시오.** 연장 코드를 잘못 사용하면 화재, 감전 또는 감전사의 위험이 있습니다.
- **충전기 위에 물건을 올려놓거나 부드러운 표면에 충전기를 두면 통풍구가 막혀 내부가 과열될 수 있습니다.** 충전기는 열원에 가까이 두지 마십시오. 충전기는 하우징의 상단과 하단에 있는 구멍을 통해 환기됩니다.
- **코드나 플러그가 손상된 충전기를 작동시키지 마십시오 — 즉시 교체하십시오.**
- **심한 충격을 받았거나 떨어뜨렸거나 어떠한 식으로든 손상된 경우에는 충전기를 작동시키지 마십시오.** 공인 서비스 센터로 가져가십시오.
- **충전기를 분해하지 마십시오. 서비스나 수리가 필요한 경우에는 공인 서비스 센터로 가져가십시오.** 잘못 재조립하면 감전, 감전사 또는 화재의 위험이 있습니다.
- **전원 코드가 손상된 경우 사고 방지를 위해 제조업체, 서비스 대리점 또는 이에 준하는 자격을 가진 기술자를 통해 즉시 교체하십시오.**
- **청소하려면 먼저 충전기를 콘센트에서 분리하십시오. 그래야 감전 위험이 줄어듭니다.** 배터리 팩을 제거하는 것만으로 이러한 위험이 줄어들지는 않습니다.
- **절대로 충전기 두 개를 함께 연결하지 마십시오.**
- **충전기는 가정용 표준 전력(220~240V)으로 작동하도록 설계되어 있습니다. 다른 전압에서는 사용하지 마십시오.** 차량용 충전기는 제외됩니다.

## 배터리 충전(그림 C)

1. 배터리 팩을 끼우기 전에 충전기를 적절한 콘센트에 꽂습니다.
2. 충전기에 배터리 팩  을 끼우고 배터리 팩이 완벽히 장착되었는지 확인하십시오. 빨간색(충전 중) 표시등이 반복해서 깜박이면서 충전 프로세스가 시작되었음을 알립니다.

3. 충전이 완료되면 빨간색 불이 계속 켜져 있습니다. 배터리 팩이 완전히 충전되면 바로 사용하거나 충전기에 그대로 둘 수 있습니다. 배터리 팩을 충전기에서 분리하려면, 배터리 팩에 있는 배터리 탈착 버튼  을 누릅니다.

**참고:** 리튬이온 배터리 팩의 성능과 수명을 극대화하려면 처음 사용하기 전에 배터리 팩을 완전히 충전시키십시오.

## 충전기 작동

배터리 팩의 충전 상태는 아래 표시등을 참조하십시오.

### 충전 표시등

	충전 중		
	완전 충전됨		
	냉/은 팩 지연*		

\*빨간색 표시등이 계속 깜박거리지만, 노란색 표시등은 이 작동 동안 계속 켜져 있습니다. 배터리 팩이 적정 온도에 도달하면, 노란색 표시등이 꺼지고 충전기에서 충전 절차를 다시 시작합니다.

이 호환 충전기는 결합이 있는 배터리 팩은 충전하지 못합니다. 등이 켜지지 않도록 하여 배터리에 결합이 있음을 표시합니다.

**참고:** 이는 충전기 고장을 의미할 수도 있습니다.

충전기에 문제가 표시되는 경우 충전기와 배터리 팩을 공인 서비스 센터로 가져 가서 테스트를 받아 보십시오.

### 냉/은 팩 지연

충전기에서 너무 뜨겁거나 차가운 배터리 팩이 감지되면, 냉/은 팩 지연이 자동으로 시작되어 배터리 팩이 적절한 온도 가 될 때까지 충전이 중단됩니다. 이 과정이 끝나면 충전기가 자동으로 팩 충전 모드로 전환됩니다. 이 기능은 배터리 팩 수명을 최대한으로 보장하기 위한 것입니다.

차가운 배터리 팩은 따뜻한 배터리 팩보다 더 느린 속도로 충전됩니다. 충전 사이클 전체에 걸쳐 배터리 팩은 이렇게 느린 속도로 충전되며 배터리 팩이 따뜻해지더라도 최대 충전 속도로 복원되지 않습니다. DCB118 충전기에는 배터리 팩을 식히기 위해 설계된 내장 팬이 장착되어 있습니다. 배터리 팩을 식혀야 하면 팬이 자동으로 켜집니다. 팬이 제대로 작동하지 않거나 환기구가 막혀 있을 경우 충전기를 작동하지 마십시오. 이물질이 충전기 내부로 들어가지 않도록 마십시오.

### 전자 보호 시스템

XR 리튬이온 배터리 팩은 배터리에 과부하가 걸리거나 과열 또는 완전 방전되는 것을 방지하는 전자 보호 시스템으로 설계되었습니다.

이 공구는 전자 보호 시스템이 작동하면 자동으로 꺼집니다. 이러한 경우 리튬 이온 배터리가 완전히 충전될 때까지 충전기에 리튬 이온 배터리 팩을 넣으십시오.

### 벽 장착

이들 충전기는 테이블 또는 작업 표면에 똑바로 세우거나 벽에 장착할 수 있도록 설계되었습니다. 벽에 장착하는 경우, 충전기는 전기 콘센트에 닿을 수 있는 범위 내에 놓고, 공기 흐름이 방해될 수 있는 코너 또는 기타 장애물로부터 멀리 두십시오. 벽에서 장착 나사의 위치는 견본으로 충전기의 뒤쪽을 사용하십시오. 나사 머리 직경이 7~9 mm인 최소 25.4 mm 길이의 석고보드 나사(별도 구매)를 사용해서 충전기를 단단히 장착하고, 노출된 나사의 약 5.5 mm를 넘겨 두고 최적의 길이로 목재에 고정합니다. 충전기 뒤쪽의 구멍을 노출되어 있는 나사에 맞추고 구멍에 완전히 맞물리도록 하십시오.



## 충전기 청소 지침



**경고: 감전 위험. 청소하려면 먼저 충전기를 AC 콘센트에서 분리하십시오.** 형집이나 부드러운 비금속성 브러시로 충전기 외관 부분에 묻은 먼지 및 기름을 제거할 수 있습니다. 물이나 세척제를 사용하지 마십시오. 공구 내부에 액체를 넣거나 공구 부품을 액체에 담그는 행동은 절대 금물입니다.

## 배터리 팩

### 모든 배터리 팩에 대한 중요한 안전 지침

배터리 팩을 교체하기 위해 주문할 때는 카탈로그 번호와 전압을 반드시 확인하고 표기해야 합니다.

배터리 팩은 포장박스에서 꺼낼 때 완전히 충전된 상태가 아닙니다. 배터리 팩과 충전기를 사용하기 전에 아래 안전 지침을 숙독하십시오. 그런 다음 설명된 충전 절차를 따르십시오.

### 모든 지시 사항을 읽으십시오.

- 가연성 액체, 가스 또는 먼지 등 폭발성 분위기에서 배터리를 충전하거나 사용하지 마십시오. 배터리를 끼우거나 충전기에서 분리할 때 먼지나 가스에 불이 붙을 수 있습니다.
- 충전기에 배터리 팩을 끼울 때 과도한 힘을 주지 마십시오. 어떤 형태로도 호환되지 않는 충전기에 사용하기 위해 배터리 팩을 개조하지 마십시오. 배터리 팩이 파열되어 심각한 부상을 유발할 수 있습니다.
- DeWALT 충전기에서만 배터리 팩을 충전하십시오.
- 물이나 기타 액체가 튀어 묻거나 액체에 빠지지 않도록 하십시오.
- 온도가 40°C (104°F)를 초과할 수 있는 곳(여름철 허름한 창고 또는 금속 건물 등)에 공구와 배터리 팩을 보관하거나 사용하지 마십시오.
- 배터리 팩이 심하게 손상되거나 완전히 낡았다더라도 절대 소각하지 마십시오. 배터리 팩은 불 속에서 폭발할 수 있습니다. 리튬이온 배터리의 팩은 연소되면서 독성 연기와 물질을 발생시킵니다.
- 배터리 내용물이 피부에 닿으면 즉시 중성 세척제로 해당 부위를 씻으십시오. 배터리액이 눈에 들어갔을 경우, 15분 정도 또는 통증이 가실 때까지 눈을 뜨고 물로 씻어냅니다. 치료가 필요한 경우를 위해, 배터리 전해질은 액체 유기 탄산염과 리튬염의 혼합물로 구성되어 있음을 알아 두십시오.
- 열린 배터리 셀의 내용물은 호흡기 질환을 일으킬 수 있습니다. 신선한 공기를 마시십시오. 증상이 계속되면 치료를 받으십시오.



**경고: 화상 위험.** 배터리액은 불꽃이나 화염에 노출되면 연소될 수 있습니다.



**경고:** 어떤 이유로든 배터리 팩을 절대 분해하지 마십시오. 배터리 팩 케이스가 깨지거나 손상되면 충전기에 넣지 마십시오. 배터리 팩을 문개거나 떨어뜨리거나 손상시키지 마십시오. 강한 충격을 받았거나, 떨어뜨렸거나, 차에 치였거나 기타의 원인으로 어떤 방식으로든 손상된(못이 박히거나 망치로 맞았거나 밟힘) 배터리 팩이나 충전기는 사용하지 마십시오. 감전 또는 감전사의 위험이 있습니다. 손상된 배터리 팩은 재활용을 위해 서비스 센터에 반환해야 합니다.



**경고: 화재 위험.** 배터리 팩을 보관하거나 휴대할 때는 노출된 배터리 단자에 금속 물체가 닿지 않도록 하십시오. 예물 들어, 못, 나사, 키등이 있는 알차며, 주머니, 도구상자, 제품 키트 상자, 서랍 등에 배터리 팩을 두지 마십시오.



**주의: 사용하지 않는 공구는 걸려 넘어지거나 떨어질 위험이 없는 안정된 표면에 놓겨 두십시오.** 배터리 팩이 큰 일부 공구들은 배터리 팩 위에 바로 서 있지만 쉽게 넘어질 수 있습니다.

## 운반



**경고: 화재 위험.** 배터리를 운반할 때 배터리 단자가 실수로 전도성 물질과 닿을 경우 화재 위험의 가능성이 있습니다. 배터리를 운반할 경우에는 배터리 단자가 보호되어 있고, 물체에 닿을 경우 단락을 일으킬 수 있는 물체로부터 제대로 절연되어 있는지 확인하십시오.

**참고:** 리튬이온 배터리는 위탁 수화물에 넣어서는 안 됩니다.

DeWALT 배터리는 UN의 위험물 운송에 관한 권고 (Recommendations on the Transport of Dangerous Goods, RTDG), 국제 항공 운송 협회(IATA)의 위험물 규정, 국제해상위험물 (International Maritime Dangerous Goods, IMDG) 규정 및 국제도로위험물품운송에 관한 유럽조약(European Agreement Concerning The International Carriage of Dangerous Goods by Road (ADR))을 포함하여 산업 표준 및 법적 기준에 따라 해당되는 모든 운송 규정을 준수합니다. 리튬 이온 전지 및 배터리는 위험 화물 테스트 및 기준 설명서에 대한 UN 권고 38.3항에 따라 테스트되었습니다. 대개의 경우에, DeWALT 배터리 팩 운송은 완전 규제를 받는 Class 9 위험 물질로 분류되지 않습니다. 일반적으로, 에너지효율 등급이 100 와트시(Wh)보다 큰 리튬 이온 배터리를 포함하는 수송품만 완전 규제를 받는 Class 9에 따라 운송되어야 합니다. 모든 리튬 이온 배터리에는 팩에 와트시 등급이 표시되어 있습니다. 뿐만 아니라, 규정의 복잡성으로 인해 DeWALT는 와트 시 등급에 상관 없이 리튬 이온 배터리 팩을 단독으로 항공 운송하는 것을 권장하지 않습니다. 배터리 팩의 와트시 등급이 100 Whr보다 크기 않을 경우는 제외되므로 배터리(컴보 키트)가 포함된 공구의 수송품은 항공 운송할 수 있습니다. 수송품이 예외로 고려되든지 또는 완전 규제를 받든지 상관없이, 포장, 라벨링/표시 및 운송 요건에 관한 최신 규정을 참고하는 것은 운송 회사의 책임입니다.

설명서의 본 색션에서 제공하는 정보는 성실하게 제공되며 문서가 작성될 당시에는 정확한 것으로 간주합니다. 단, 명시적이거나 함축적으로 보증은 제공되지 않습니다. 활동 시 해당 규정을 준수하는 것은 구매자의 책임입니다.

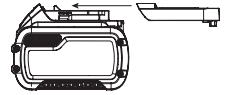
### FLEXVOLT™ 배터리 운반

DeWALT FLEXVOLT™ 배터리에는 두 개의 모드, 즉 **사용 및 운반**이 있습니다.

**사용 모드:** FLEXVOLT™ 배터리는 독립되어 있거나 DeWALT 18V (최대 20V) 제품 안에 있을 경우, 18V (최대 20V) 배터리로 작동됩니다. FLEXVOLT™ 배터리가 54V (최대 60V) 또는 108V (최대 120V) (두 개의 54V(최대 60V) 배터리) 제품이면, 54V (최대 60V) 배터리로 작동됩니다.

**운반 모드:** 캡이 FLEXVOLT™ 배터리에 장착되어 있으면, 배터리는 운반 모드에 있는 것입니다. 운송 시 캡을 유지하십시오.

운반 모드에 있을 때, 더 높은 와트시 등급의 배터리 1개에 비해 더 낮은 와트시(Wh) 등급의 배터리 3개가 되는 팩 내에서 일련의 셀은 전기 연결이 끊어져 있습니다. 와트시 등급이 더 낮은 이 증가된 배터리 3 개 수량은 더 높은 와트시 배터리에 부과되는 특정 수송 규정에서 팩을 면제시킬 수 있습니다.



예를 들어, 운반 Wh 정격은 3 x 36 Wh를 나타내며, 각 36 Wh 배터리 3개를 의미합니다. 사용 Wh 정격은 108 Wh를 나타낼 수 있습니다(1개 배터리 포함).

사용 및 운반 라벨 표시의 예



**Use: 108 Wh**  
**Transport: 3x36 Wh**

**보관 권장 사항**

1. 보관 장소로는 직사광선을 받지 않고 지나치게 덥거나 춥지 않은 시원하고 건조한 곳이 가장 좋습니다. 최적의 배터리 성능과 수명을 위해, 사용하지 않을 때에는 배터리 팩을 실온에서 보관하십시오.
2. 장기간 보관하는 경우, 최적의 결과를 위해 완전히 충전된 배터리 팩을 충전기에서 분리하여 차갑고, 건조한 장소에 보관하는 것이 좋습니다.

**참고:** 배터리 팩은 완전히 방전된 상태로 보관해서는 안됩니다. 사용 전에 배터리 팩을 재충전해야 합니다.

**충전기 및 배터리 팩에 부착된 라벨**

본 설명서에 사용된 그림 외에도 충전기 및 배터리 팩에 부착된 라벨에는 다음과 같은 그림이 표시되어 있습니다.



사용 전에 사용 설명서의 내용을 숙지하십시오.



충전 시간은 **기술 데이터**를 참조하십시오.



전도성 있는 물체로 시험하지 마십시오.



손상된 배터리 팩을 충전하지 마십시오.



물에 닿지 않도록 하십시오.



손상된 코드는 즉시 교체하십시오.



4°C ~ 40°C 사이에서만 충전하십시오.



실내 전용.



환경 보호 차원에서 배터리 팩을 폐기하십시오.

LI-ION



지정된 DeWALT 충전기만으로 DeWALT 배터리 팩을 충전하십시오. DeWALT 충전기에 지정된 DeWALT 배터리 이외의 배터리 팩을 충전하면 폭발하여 다른 위험한 상황으로 이어질 수 있습니다.



배터리 팩을 소각하지 마십시오.



사용(운반 캡 미포함). 예: Wh 정격은 108 Wh를 나타냅니다(108 Wh 배터리 1개).



운반(내장 운반 캡 포함). 예: Wh 정격은 3 x 36 Wh (36 Wh 배터리 3개)를 나타냅니다.

**배터리 유형**

DCW600, DCW604는 18 볼트(최대 20 볼트)배터리 팩에서 작동합니다.

이러한 배터리 팩은 다음을 사용할 수 있습니다. DCB181, DCB182, DCB183, DCB183B, DCB184, DCB184B, DCB185, DCB187, DCB189, DCB546, DCB547, DCB548. 자세한 정보는 **기술 데이터**를 참조하십시오.포장 내용물

**포장에는 다음 내용물이 들어 있습니다.**

**DCW600**

- 1 고정 베이스가 있는 리우터
- 1 고정 베이스 집진 장치
- 1 기본 수평 펜스
- 1 콜렛 8 mm
- 1 콜렛 6 mm (1/4")
- 1 렌치
- 1 원형 서브베이스

**DCW604**

- 1 고정 베이스와 플런지 베이스가 장착된 리우터
- 1 원형 서브베이스
- 1 플런지 베이스 집진
- 1 고정 베이스 집진 장치
- 1 기본 수평 펜스
- 1 플런지 베이스 수평 펜스
- 1 콜렛 8 mm
- 1 콜렛 6 mm (1/4")
- 1 렌치
- 1 센터링 공구
- 1 리튬 이온 배터리 팩(C1, D1, L1, M1, P1, S1, T1, X1, Y1 모델)
- 2 리튬 이온 배터리 팩(C2, D2, L2, M2, P2, S2, T2, X2, Y2 모델)
- 3 리튬 이온 배터리 팩(C3, D3, L3, M3, P3, S3, T3, X3, Y3 모델)
- 1 사용 설명서

**참고:** 배터리 팩, 충전기 및 공구박스는 N 모델에 포함되지 않습니다. 배터리 팩과 충전기는 NT 모델에 포함되지 않습니다. B 모델에는 Bluetooth® 배터리 팩이 포함됩니다.

**참고:** Bluetooth® 단어 마크 및 로고는 Bluetooth®, SIG, Inc.가 소유한 등록 상표이고 DeWALT는 허가 하에 그러한 모든 마크를 사용하고 있습니다. 기타 상표 및 상표명은 각 해당 소유주의 것입니다.

- 운반 중에 발생할 수 있는 공구, 부품 또는 액세서리의 손상 여부를 확인하십시오.
- 작동 전에 시간을 내어 본 사용 설명서를 읽고 숙지하십시오.공구에 표시된 마크

공구에는 다음과 같은 그림이 있습니다.



사용 전에 사용 설명서의 내용을 숙지하십시오.



귀 보호 장구를 착용하십시오.



보안경을 착용하십시오.



가시 방사선이므로, 쳐다보지 마십시오.



## 날짜 코드 위치(그림 C)

날짜 코드에는 **22**, 제조년도가 포함되어 이 제조년도는 케이스에 인쇄되어 있습니다.

예:

2019 XX XX  
제조년도

## 설명(그림 A)



**경고:** 전동 공구 또는 전동 공구의 어떤 부분도 절대 개조하지 마십시오. 제품이 파손되거나 신체 부상을 당할 수 있습니다.

- |              |                   |
|--------------|-------------------|
| 1 배터리 팩      | 12 잠금 레버          |
| 2 배터리 탈착 버튼  | 13 D 모양 서브베이스     |
| 3 On/Off 스위치 | 14 터렛 스톱          |
| 4 가변 속도 다이얼  | 15 깊이 조절봉         |
| 5 깊이 조정 링    | 16 플런지 잠금 레버      |
| 6 모터         | 17 가이드 핀          |
| 7 스팀을 잠금 버튼  | 18 플런지 베이스 사이드 핸들 |
| 8 스팀들        | 19 모터 스톱          |
| 9 스팀들 핀 홈    | 20 플런지 서브베이스      |
| 10 작업등       | 21 원형 서브베이스       |
| 11 미세 조정 눈금  |                   |

## 용도

본 공구는 6-8 mm 샹크 비트로 목재, 목가공 제품 및 플라스틱의 전문적인 중급 라우팅 작업용으로 설계되었습니다.

습한 환경이나 기연성 액체 또는 가스가 있는 장소에서 사용하지 마십시오.

어린이가 이 공구를 만지지 않도록 하십시오. 경험이 없는 작업자가 이 공구를 사용할 때는 감독자의 지도가 필요합니다.

- **어린이 및 노약자.** 본 제품은 어린이나 노약자가 사용하도록 설계되지 않았습니다. 이러한 사람이 사용할 때는 감독이 필요합니다.
- 본 제품은 안전 책임을 맡고 있는 사람이 감독을 하고 있지 않는 한 경험, 지식 또는 기술이 부족하고 신체적, 감각적 또는 정신적 능력이 미약한 사람(어린이 포함)이 사용하도록 고안된 것이 아닙니다. 이 제품과 함께 어린이만 혼자 두어서는 안됩니다.

## 조립 및 조정



**경고:** 심각한 신체 부상의 위험을 줄이려면 공구를 조정하거나 부착물 또는 액세서리를 제거/설치하기 전에 공구를 끄고 배터리 팩을 분리하십시오. 공구가 갑자기 작동하여 부상을 당할 수 있습니다.



**경고:** DeWALT 배터리 팩과 충전기만 사용하십시오.

## 배터리 팩 삽입 및 공구에서 배터리 팩 분리(그림 C)

**참고:** 배터리 팩 1이 완전히 충전되었는지 확인하십시오.

### 배터리 팩을 공구 핸들에 설치하려면

1. 공구 핸들 안쪽의 레일에 배터리 팩 1을 맞춥니다(그림 C).
2. 공구에 배터리 팩이 견고하게 장착될 때까지 핸들에 밀어 넣고 딸깍하고 잠기는 소리가 들리는지 확인하십시오.

## 공구에서 배터리 팩을 분리하려면

1. 탈착 버튼 2을 누르고 배터리 팩을 공구 핸들에서 완전히 빼냅니다.
2. 본 사용 설명서의 충전기 섹션에 설명된 대로 배터리 팩을 충전기에 삽입합니다.

## 잔량표시계 배터리 팩(그림 C)

일부 DeWALT 배터리 팩에는 배터리 팩의 남아 있는 충전 레벨을 표시하는 세 개의 녹색 LED 등으로 구성된 잔량표시계가 포함되어 있습니다.

잔량표시계를 작동시키려면, 잔량표시계 버튼 46을 누릅니다. 녹색 LED 표시등 3개가 조합되어 커짐으로써 충전 잔량 수준을 나타냅니다. 배터리 충전 잔량이 사용 가능한 한계치 미만이면 배터리 잔량표시계가 커지지 않으므로 배터리를 재충전해야 합니다.

**참고:** 잔량표시계는 배터리 팩에 남아 있는 충전 레벨을 나타내는 것일 뿐입니다. 공구의 가능성을 나타내는 것이 아니며 제품 구성품, 온도 및 최종 사용자의 용도에 따라 변동될 수 있습니다.

## 비트 설치 및 제거(그림 D)

### 비트 설치하려면

1. 베이스 장치에서 모터 장치를 분리합니다(**고정 베이스에서 모터 분리하기** 또는 **플런지 베이스에서 모터 분리하기**)를 참조하십시오(필요할 경우).
2. 원하는 라우터 비트의 원형 샹크를 뒤아서 풀어 놓은 콜릿에 최대한 돌아갈 때까지 끼운 다음 약 1.6 mm 당겨서 빼냅니다.
3. 제공된 렌치를 사용하여 콜릿 너트 23를 시계 방향으로 돌리는 동안 스팀들 축이 제 자리에 있도록 고정하려면 스팀들 잠금 버튼 7을 누릅니다.  
**참고:** 이 장치에는 비트를 조이는 선택적 "수동 래칫"을 허용하는 여러 개의 스팀들 잠금 멈춤쇠가 장착되어 있습니다.

### "수동 래칫" 방법으로 조이려면:

- a. 콜릿 너트 23에서 렌치를 제거하지 않은 상태에서, 스팀들 잠금 버튼 7에서 손을 떼십시오
- b. 콜릿 너트에 렌치가 그대로 있는 상태에서, 조임 방향을 바꿔서 렌치 위치를 다시 설정합니다.
- c. 스팀들 잠금 버튼을 다시 누르고 렌치를 시계 방향으로 돌립니다.
- d. 콜릿 너트가 원하는 조임에 도달할 때까지 절차를 반복하십시오.

**참고:** 가능한 콜릿이 손상되지 않도록 하십시오. 비트 없이 콜릿을 조이지 마십시오.

### 비트를 분리하려면

1. 베이스 장치에서 모터 장치를 분리합니다(**고정 베이스에서 모터 분리하기** 또는 **플런지 베이스에서 모터 분리하기**)를 참조하십시오).
2. 제공된 렌치를 사용하여 콜릿 너트 23를 시계 반대 방향으로 돌리는 동안 스팀들 축이 제 자리에 있도록 고정하려면 스팀들 잠금 버튼 7을 누릅니다.

### "수동 래칫" 방법을 사용해서 풀려면:

1. 콜릿 너트 23에서 렌치를 제거하지 않은 상태에서, 스팀들 잠금 버튼 7에서 손을 떼십시오
2. 콜릿 너트 23에 렌치가 그대로 있는 상태에서, 푸는 방향을 바꿔서 렌치 위치를 다시 설정합니다.

- 스핀들 잠금 버튼 **7** 을 다시 누르고 렌치를 시계 반대 방향으로 돌립니다.
- 콜렛 너트 **23** 가 풀려 비트를 제거할 수 있을 때까지 위의 절차를 반복합니다.

## 콜렛

**참고:** 먼저 라우터 비트를 장착하지 않은 상태에서 콜렛을 조이지 마십시오. 손으로 빈 콜렛을 조이더라도 콜렛을 손상시킬 수 있습니다. 콜렛 크기를 변경하려면, 위에 설명한 대로 콜렛 어셈블리의 나사를 풀니다. 위의 절차를 반대로 수행하여 원하는 콜렛을 설치합니다. 콜렛과 콜렛 너트는 연결되어 있습니다. 콜렛 너트에서 콜렛을 떼려 하지 마십시오.

## 잠금 레버 조정(그림 E)

잠금 레버를 조이는 데 과도한 힘을 사용해서는 안됩니다. 과도한 힘을 사용하면 베이스를 손상시킬 수 있습니다.

잠금 레버가 고정되면 모터가 베이스에서 움직이지 않아야 합니다.

잠금 레버가 과도한 힘 없이 조여지지 않거나 모터가 조임 후에 베이스에서 움직이는 경우 조정이 필요합니다.

### 잠금 레버의 체결력 조정:

- 잠금 레버 **12** (고정 베이스) 또는 **40** (플런지 베이스)를 엽니다.
- 육각 렌치를 사용해서 잠금 레버 조정 나사 **24** 를 조금씩 돌립니다. 나사를 시계 방향으로 돌리면 레버가 조여지고, 나사를 시계 반대 방향으로 돌리면 레버가 풀립니다.

## 서브베이스 중심에 놓기(그림 A, F1-F3)

서브베이스를 조정하거나, 변경하거나 교체해야 하는 경우, 센터링 공구를 사용하는 것이 좋습니다. 센터링 공구는 큰과 핀으로 구성되어 있습니다.

### 서브베이스를 조정하려면 아래의 단계를 따르십시오.

그림 F1은 고정 베이스에서 D-모양의 서브베이스를 조정하는 것입니다.

그림 F2는 플런지 베이스에서 서브베이스를 조정하는 것입니다.

그림 F3은 고정 베이스에서 원형 서브베이스를 조정하는 것입니다.

- 서브베이스가 자유롭게 움직이도록 서브베이스 나사 **25** 를 풀되 제거하지 마십시오.
- 핀을 콜렛에 끼우고 콜렛 너트를 조입니다.
- 모터를 베이스에 끼우고 베이스의 잠금 레버 **12** / **40** 를 잠서로 고정시킵니다.
- 콘을 핀에 놓고 정지할 때까지 콘을 살짝 아래로 누릅니다. 이렇게 하면 서브베이스가 중심에 놓입니다.
- 콘을 누르고 있는 동안 서브베이스 나사를 조입니다.

## 템플릿 가이드 사용

플런지 서브베이스는 템플릿 가이드를 사용할 수 있습니다. 고정 베이스에서, 템플릿 가이드를 사용할 수 있으려면 원형 서브베이스가 필요합니다.

**참고:** D-모양의 서브베이스는 템플릿 가이드를 위한 충분한 공간을 제공하지 않으므로 최대 30 mm 직경의 커터를 수용하도록 설계되었습니다.

### 템플릿 가이드를 사용하려면

- 나사 두 개를 사용해서 템플릿 가이드를 서브베이스에 설치하고 단단히 조입니다.

- 서브베이스를 중심에 놓습니다. **서브베이스 중심에 놓기를** 참조하십시오.

## 고정 베이스 수평 펜스 설치하기(그림 G)

고정 베이스용 수평 펜스(모델 DE6913)가 포함되어 있습니다.

- 고정 베이스에서 모터를 분리합니다. **고정 베이스에서 모터 분리하기**를 참조하십시오.
- 수평 펜스의 보관 구멍에서 납작 머리 나사 **27** 를 제거합니다.
- 고정 베이스 측면에 있는 수평 펜스 슬롯 **28** 에 수평 펜스 **26** 를 밀어 넣습니다(그림 G). 납작머리 나사 두 개를 서브베이스의 적절한 구멍을 통해 끼워서 자 가이드를 고정시킵니다. 하드웨어를 조입니다.
- 수평 펜스에 포함되어 있는 모든 지시 사항을 준수하십시오.

**참고:** 수평 펜스를 제거하려면 위의 절차와 반대로 하십시오. 수평 펜스를 제거한 후, 항상 납작머리 나사 **27** 두 개를 수평 펜스의 보관 구멍에 다시 넣어서 분실되지 않도록 하십시오.

## 가이드 봉으로 플런지 베이스 수평 펜스 설치하기, DCW604만 해당(그림 H)

가이드 봉이 장착된 수평 펜스는 플런지 베이스 장치에 포함되어 있을 수 있습니다. 프리미엄 수평 펜스(모델 DE6913) 또한 현지 소매점 또는 서비스 센터에서 추가 금액으로 구입할 수 있습니다.

- 가이드 봉 **36** 을 플런지 라우터 베이스에 장착합니다.
- 썸 나사 **37** 와 스프링 **38** 을 베이스에 장착합니다.
- 썸 나사 **37** 를 조입니다.
- 봉 위로 수평 펜스 **39** 를 미끄러뜨려 보냅니다.
- 썸 나사 **37** 와 스프링 **38** 을 수평 펜스에 장착합니다.
- 썸 나사를 임시로 조여 놓습니다. **수평 펜스 조정을** 참조하십시오.

## 수평 펜스 조정(그림 A, H)

수평 펜스에 포함되어 있는 조립 지시 사항을 준수하십시오.

- 재료를 잘날을 그립니다.
- 커터가 작업물과 접촉될 때까지 라우터 왕복대를 내립니다.
- 플런지 잠금 레버 **16** 를 풀어서 플런지 기계 장치를 잠급니다.
- 잘날에 라우터를 배치합니다. 커터의 외부 절삭 가장자리는 잘날과 일치해야 합니다.
- 수평 펜스 **39** 를 작업물 쪽으로 밀어 넣고 썸 나사 **37** 를 조입니다.

## 고정 베이스에 집진 장치 장착하기(그림 I)

집진을 위해 라우터를 집진 장치에 연결하려면, 다음 단계를 따르십시오.

- 베이스에서 모터 장치를 분리합니다. **고정 베이스에서 모터 분리하기**를 참조하십시오.
- 호스 어댑터를 먼저 배출 장치 부착물 액세서리 **29** 에 장착합니다. 썸 나사 **30** 를 손으로 단단히 조입니다.
- 호스 어댑터를 먼저 배출 장치 부착물 액세서리에 장착합니다.
- 집진 장치 부착물을 사용할 때, 집진 장치의 배치에 대해 주의하십시오. 집진 장치는 안정되어 있어야 하고 호스는 작업에 방해가 되어서는 안됩니다.

## 플런지 베이스에 집진 장치 장착하기, DCW604만 해당(그림 J)

1. 베이스에서 모터 장치를 분리합니다. **플런지 베이스에서 모터 분리하기**를 참조하십시오.
2. 집진 장치 부착물 **35** 의 탭 **31** 을 플런지 베이스의 슬롯에 밀어 넣고 탭 **32** (삽입도)를 플런지 베이스의 구멍에 끼워 넣습니다.
3. 제공된 플라스틱 와셔 **33** 와 썸 나사 **34** 로 베이스에 고정시킵니다. 손으로 썸 나사를 단단히 조입니다.
4. 호스 어댑터를 집진 장치 부착물에 장착합니다.

집진 장치 부착물을 사용할 때, 집진 장치의 배치에 대해 주의하십시오. 집진 장치는 안정되어 있어야 하고 호스는 작업에 방해가 되어서는 안됩니다.

## 설정: 고정 베이스(그림 A, K, L)

### 고정 베이스에 모터 끼워 넣기

1. 베이스에 있는 잠금 레버 **12** 를 엽니다.
2. 깊이 조정 링 **5** 이 모터 **6** 에 없는 경우, 그림에 설명한 대로 링이 모터의 상단과 하단 사이 중간쯤에 올 때까지 깊이 조정 링을 모터에 끼웁니다. 모터 **6** 의 홈을 베이스의 가이드 핀 **17** 에 맞춰서 모터를 베이스에 끼워 넣습니다. 깊이 조정 링이 제자리에 고정될 때까지 모터를 아래로 밀니다.  
**참고:** 가이드 핀 홈 **9** 은 두 방향에 위치할 수 있도록 모터의 양편에 있습니다.
3. 깊이 조정 링을 돌려서 절삭 깊이를 조정합니다. **절삭 깊이 조정**을 참조하십시오.
4. 원하는 깊이에 도달하면 잠금 레버 **12** 를 닫습니다. 절삭 깊이 설정에 대한 자세한 정보는 **절삭 깊이 조정**을 참조하십시오.

### 절삭 깊이 조정(그림 L)

1. 잠금 레버 **12** 를 열고 비트가 작업물에 닿을 때까지 깊이 조정 링 **5** 을 돌립니다. 링을 시계 방향으로 돌리면 절단 헤드가 올라가고 시계 반대 방향으로 돌리면 절단 헤드가 내려갑니다.
2. 눈금의 0이 깊이 조정 링의 아래에 있는 포인터와 일치할 때까지 미세 조정 눈금 **11** 을 시계 방향으로 돌립니다.
3. 포인터가 미세 조정 눈금 **11** 에서 원하는 절삭 깊이 표시와 일치할 때까지 깊이 조정 링을 돌립니다.  
**참고:** 조절 눈금의 각 표시는 0.4 mm의 깊이 변화를 나타내고 링을 한 바퀴 돌리면(360°) 깊이가 12.7 mm 바뀝니다.
4. 잠금 레버 **12** 를 닫아서 베이스를 잠급니다.

### 고정 베이스에서 모터 분리하기(그림 K)

1. 모터에서 배터리 팩을 분리합니다. **배터리 팩 설치 및 제거**를 참조하십시오.
2. 베이스에 있는 잠금 레버 **12** 를 엽니다.
3. 양쪽 신속 이탈 탭 **45** 을 누르면서 한 손으로 모터 장치를 잡습니다.
4. 다른 손으로는 베이스를 잡고 베이스에서 모터를 당깁니다.

## 설정: 플런지 베이스, DCW604만 해당 (그림 A, M)






### 플런지 베이스에 모터 끼워 넣기

1. 모터 **6** 에서 깊이 조정 링 **5** 을 분리합니다. 플런지 베이스와 함께 사용해서는 안됩니다.

**참고:** 사용하지 않을 때는 분실되지 않도록 깊이 조정 링을 고정 베이스에 끼워 두십시오.

2. 플런지 베이스 잠금 레버 **40** 를 엽니다.
3. 스팀들 잠금 버튼이 앞쪽을 향하는지 확인하면서, 모터의 홈을 베이스의 가이드 핀 **17** 과 맞추어서 모터 **6** 를 베이스에 삽입합니다. 모터가 모터 스톱 **19** 에서 정지할 때까지 모터를 아래로 내립니다.
4. 잠금 레버 **40** 를 닫습니다.


### 플런지 라우팅 깊이 조정하기(그림 M)

-  **경고: 부상 위험. 라우터가 작동 중일 때는 터렛 스톱을 변경하지 마십시오.** 이는 커터 헤드에 너무 가깝게 손을 넣는 것입니다.
-  **경고: 제어력 상실을 방지하려면, 항상 이동 제한 너트를 함께 조입니다.** 계동 이동은 전체 비트 수축을 방지할 수 있습니다.
-  **경고: 제어력 상실을 방지하려면, 비트가 작업물이 없는 라우터의 베이스 속으로 들어갈 수 있도록 이동 제한 너트를 고정하십시오.**
-  **경고: 부상의 위험을 줄이려면, 절대로 스톱 너트를 조정하거나 제거하지 마십시오.** 모터가 풀려서 제어력 상실로 이어질 수 있습니다.
-  **주의: 커터 헤드를 작업물에 넣기 전에 라우터를 켜십시오.**

1. 플런지 잠금 레버 **16** 를 내려서 플런지 기계 장치의 잠금을 푼다. 비트가 작업물에 닿을 수 있도록 최대한 끝까지 라우터를 아래로 넣으려면 두 손을 살짝 아래로 밀니다.
2. 플런지 잠금 레버 **16** 를 풀어서 플런지 기계 장치를 잠급니다.
3. 썸 나사 **41** 를 시계 반대 방향으로 돌려서 깊이 조절봉 **15** 을 푼다.
4. 깊이 조절봉이 가장 낮은 터렛 스톱 **14** 에 닿을 때까지 깊이 조절봉 **15** 을 아래로 밀어 놓습니다.
5. 깊이 조절봉의 상단이 깊이 조절 눈금 **43** 의 0에 만날 수 있도록 깊이 조절봉의 0 조절 장치 탭 **42** 을 아래로 밀어 놓습니다.
6. 깊이 조절봉 **15** 의 상단 마디 부분을 잡고, 탭 **42** 이 깊이 조절 눈금 **43** 에서 원하는 절삭 깊이와 일치하도록 위로 밀어 올립니다.
7. 썸 나사 **41** 를 조여서 깊이 조절봉을 제자리에 고정시킵니다.
8. 양손으로 핸들을 잡고, 플런지 잠금 레버 **16** 를 아래로 내려서 플런지 기계 장치의 잠금을 푼다. 플런지 기계 장치와 모터가 위로 올라간다. 라우터가 놓여져 있을 때, 깊이 조절봉이 터렛 스톱을 쳐서, 라우터가 정확하게 원하는 깊이에 도달할 수 있도록 합니다.

### 단계적 절단을 위해 회전 터렛 사용(그림 M)

필요한 절삭 깊이가 단일 통과 시 사용할 수 있는 것 이상일 경우, 깊이 봉 **15** 이 처음에 더 큰 터렛 스톱과 일직선 상에 오도록 터렛을 돌립니다. 각 절단 후에, 뎀스 스톱이 최종 절삭 깊이에 도달할 때까지 더 짧은 포스트와 일직선 상에 오도록 터렛을 돌립니다.

-  **경고: 라우터가 작동 중일 때는 터렛 스톱을 변경하지 마십시오.** 이는 커터 헤드에 너무 가깝게 손을 넣는 것입니다.

## 라우팅 깊이 미세 조정(그림 M)

깊이 조절봉의 하단 끝에 있는 마디가 있는 노브 **44** 를 사용하여 미세한 조정을 할 수 있습니다.

1. 절삭 깊이를 줄이려면 노브를 시계 방향으로 돌립니다(라우터 상단에서 내려다 볼 때).
2. 절삭 깊이를 증가시키려면 노브를 시계 반대 방향으로 돌립니다(라우터 상단에서 내려다 볼 때).

**참고:** 노브가 한 번 완전히 회전하면 깊이가 약 1 mm 변경됩니다.

## 플런지 베이스에서 모터 분리하기(그림 M)

1. 모터에서 배터리 팩을 분리합니다. **배터리 팩 설치 및 제거**를 참조하십시오.
2. 베이스에 있는 잠금 레버 **40** 를 엽니다.
3. 한 손으로 모터 장치를 잡고 다른 손으로는 베이스를 잡고, 플런지 베이스에서 모터를 당깁니다.

## 조작

### 사용 지침



**경고:** 안전 지시 사항과 해당 규정을 항상 준수하십시오.



**경고:** 심각한 신체 부상의 위험을 줄이려면 공구를 조정하거나 부착물 또는 액세서리를 제거/설치하기 전에 공구를 끄고 배터리 팩을 분리하십시오. 공구가 갑자기 작동하여 부상을 당할 수 있습니다.

## 올바른 손의 위치(그림 N1, N2)



**경고:** 심각한 신체 부상의 위험을 줄이려면 항상 그림과 같이 올바르게 손을 위치하십시오.



**경고:** 심각한 신체 부상의 위험을 줄이려면, 항상 급작스러운 반응을 예상하고 확실하게 잡으십시오.

고정 베이스를 사용할 때 한 손은 배터리 위에 있어야 하고 다른 손은 고정 베이스 주위에 있어야 합니다(그림 N1). 플런지 베이스를 사용할 때는 그림 N2와 같이 사이드 핸들을 단단히 잡습니다.

## 모터 작동 시작 및 정지(그림 A)



**주의:** 공구에 시동을 걸기 전에 작업장에서 모든 이물질을 치우십시오. 또한 시동 회전력을 저항하려면 공구를 단단히 잡으십시오.



**주의:** 부상이나 가공 작업물의 손상을 방지하려면, 공구를 내려 놓기 전에 항상 동력 장치가 완전 정지하도록 합니다.

기기를 켜려면, "ON"으로 표시되고 기호 "I"와 일치하는 먼저 보호식 스위치(3) 쪽을 누릅니다. 기기를 끄려면, "OFF"으로 표시되고 기호 "O"와 일치하는 스위치 쪽을 누릅니다.

## 고정 베이스로 절단하기(그림 C)

**조립 및 조정** 섹션의 설명에 따라 라우터를 설정해서 고정 베이스를 사용합니다.

라우터를 설정한 후, 그림 C와 같이 배터리 팩을 설치한 다음 라우터 속도를 설정합니다(**라우터 속도 선택**을 참조하십시오).

**참고:** 항상 커터가 돌아가는 방향의 반대로 라우터를 넣으십시오.

## 플런지 베이스로 절단하기, DCW604만 해당 (그림 A)

**참고:** 절삭 깊이는 플런지 베이스의 기본 상태로 잠겨 있습니다. 플런지를 잠그려면 "잠금 해제" 플런지 기계 장치를 사용할 수 있도록 사용자 조작이 필요합니다.

1. 플런지 잠금 레버 **16** 를 누르고 비트가 설정한 깊이에 도달할 때까지 라우터를 아래로 집어넣습니다.
2. 원하는 깊이에 도달하면 플런지 잠금 레버 **16** 를 놓습니다.
  - 참고:** 플런지 잠금 레버를 자동으로 놓으면 모터가 제자리에서 잠깁니다.
  - 참고:** 추가 저항력이 필요한 경우, 손을 사용해서 플런지 잠금 레버를 누르십시오.
  - 참고:** 추가 체결력이 필요한 경우, 잠금 레버를 더 눌러서 시계 방향으로 조이십시오.
3. 절단을 수행합니다.
4. 플런지 잠금 레버를 누르면 라우터 비트가 작업물에서 분리될 수 있도록 하는 잠금 기계 장치를 사용할 수 없게 됩니다.
5. 라우터를 끕니다.

## 공급 방향(그림 I)

공급 방향은 라우팅 시 매우 중요한데 성공한 작업과 실패한 프로젝트 간에 중요한 영향을 미칠 수 있습니다. 그림은 몇 가지 일반적인 절단 시 적절한 공급 방향을 보여 줍니다. 지켜야 하는 일반 규칙은 바깥쪽 절단 시에는 라우터를 시계 반대 방향으로, 안쪽 절단 시에는 시계 방향으로 이동하는 것입니다.

**다음과 같은 단계를 따라 재고 한 조각으로 외부 가장자리의 모양을 만듭니다.**

1. 나뭇결의 모양을 왼쪽에서 오른쪽으로 만듭니다.
2. 직선 결 쪽을 왼쪽에서 오른쪽으로 움직이면서 모양을 만듭니다.
3. 다른 나뭇결 쪽을 절단합니다.
4. 남은 직선 결 가장자리를 마무리합니다.

## 라우터 속도 선택(그림 A)

라우터 속도를 선택하려면 **속도 선택 차트**를 참조하십시오. 속도 제어 다이얼 **4** 을 돌려 라우터 속도를 제어합니다.

### 소프트 스타트 기능

소형 라우터에는 모터의 시동 토크를 최소화하는 소프트 스타트 기능을 제공하는 전자 장치가 장착되어 있습니다.

### 가변 속도 제어(그림 A)

이 라우터에는 16000 ~ 25500 RPM 사이 7개 속도가 있는 가변 속도 다이얼 **4** 이 장착되어 있습니다. 가변 속도 다이얼 **4** 을 돌려서 속도를 조정합니다.

**참고:** 저속 및 중속 작동에서, 속도 제어는 모터 속도가 감소하지 않도록 해 줍니다. 속도 변경이 들리고 계속해서 모터 부하가 예상되는 경우, 모터가 과열로 인해 손상될 수 있습니다. 공구 손상을 방지하려면 절단 깊이를 줄이거나 공급 속도를 줄입니다.

소형 라우터에는 절단 중에 공구 속도를 모니터링하고 유지시키는 전자 장치가 장착되어 있습니다.

## 속도 선택 차트\*

다이얼 설정	약 RPM	용도
1	16000	큰 직경의 비트 및 커터
2	17500	
3	19100	
4	20700	
5	22300	작은 직경의 비트 및 커터, 연목, 플라스틱, 라미네이트
6	23900	
7	25500	

\*이 차트에 실린 속도는 대략적인 것으로 참조용으로만 사용됩니다. 라우터는 다이얼 설정에 나와 있는 속도를 정확하게 내지 못할 수 있습니다.

**참고:** 보다 나은 작업 품질을 위해 크고 강력하게 한 번 통과하는 대신 여러 번 가볍게 통과하십시오.

## 작업등(그림 A)

작업등 **10** 은 모터 **6** 안에 위치해 있습니다. 작업등을 켜려면, on/off 스위치 **3** 를 켭니다. 작업등은 on/off 스위치를 꺼짐 위치로 놓은 후 20초간 켜져 있습니다.

**참고:** 작업등은 인접한 작업대를 비추기 위한 것으로 손전등으로 사용하기 위한 것이 아닙니다.

**참고:** 작업등이 깜빡이는 경우, 배터리 충전을 확인하십시오. 배터리 충전이 부족할 수 있습니다. 충전된 배터리를 사용해도 계속 깜빡이는 경우, 서비스 센터로 가져가 검사를 받아야 합니다.

## 유지 보수

이 전동 공구는 최소한의 유지 보수로 장기간에 걸쳐 작업이 가능하도록 설계되어 있습니다. 만족스러운 연속 작동은 적절한 공구 관리와 정기적인 청소에 따라 그 성능이 달라질 수 있습니다.



**경고: 심각한 신체 부상의 위험을 줄이려면 공구를 조정하거나 부착물 또는 액세서리를 제거/설치하기 전에 공구를 끄고 배터리 팩을 분리하십시오. 공구가 갑자기 작동하여 부상을 당할 수 있습니다.**

충전기 및 배터리 팩은 수리할 수 없습니다.



## 윤활방법

전동 공구는 별도의 윤활 작업이 필요하지 않습니다.



## 청소



**경고:** 통풍구 속이나 주변에 먼지가 쌓여있는 것이 보이면 가능한 한 자주 건조한 공기를 이용하여 메인 하우징에서 먼지를 풀어내십시오. 이 절차를 수행할 때에는 승인된 눈 보호 장구 및 승인된 방진 마스크를 착용하십시오.



**경고:** 공구의 비금속성 부품을 청소할 때는 용제 등의 강력한 화학약품을 절대 사용하지 마십시오. 그렇지 않으면 이러한 부분에 사용된 재료가 약해질 수 있습니다. 헹굼에 물과 순한 비누를 적셔 닦아주십시오. 공구 내부에 액체를 넣거나 공구 부품을 액체에 담그는 행동은 절대 금물입니다.

## 모터 및 베이스 왁스 작업

베이스와 비교해 모터 장치를 움직일 때 때때로운 조작을 유지하려면, 모터 장치의 외부와 베이스 내부를 표준 풀이나 액체 왁스를 사용해서 왁스를 입힐 수 있습니다. 제조업체 설명서에 따라, 모터 장치의 외경과 베이스의 내경을 왁스로 문지르십시오. 왁스가 건조되도록 하고 부드러운 헹굼을 사용해 잔여물도 광을 내십시오.

## 선택 액세서리



**경고:** DEWALT에서 제공되지 않는 액세서리는 본 제품에 테스트되지 않았으므로 본 제품에서 이러한 액세서리를 사용하면 위험할 수 있습니다. 신체 부상의 위험을 줄이려면 본 제품에 알맞은 액세서리만 사용해야 합니다.

해당 액세서리에 대한 자세한 정보는 판매 대리점으로 문의하십시오.

## 환경 보호



분리 수거. 이 기호가 표시된 제품과 배터리를 일반 가정용 쓰레기와 함께 처리하면 안 됩니다.

제품과 배터리에는 재활용되거나 재활용되고 고철 자원에 대한 수요를 줄일 수 있는 자재가 포함되어 있습니다. 전기 제품과 배터리는 지역 규정에 따라 재활용하십시오. 자세한 내용은 [www.2helpU.com](http://www.2helpU.com)에서 찾아 볼 수 있습니다.

## 충전용 배터리 팩

이전에 쉽게 수행했던 작업에 대해 충분한 힘을 발휘하지 못하는 배터리 팩은 재충전해야 합니다. 배터리 수명이 다하면 환경 보호 차원에서 배터리 팩을 폐기하십시오.

- 배터리 팩을 완전히 사용하고 난 후 공구에서 분리하십시오.
- 리튬이온 셀은 재활용할 수 있습니다. 이 전지를 판매점이나 지역 재활용 센터로 가져가십시오. 수집된 배터리 팩은 재활용되거나 적절히 폐기됩니다.





