

DEWALT®

English

8

한국어

23

Fig. A1
그림 A1

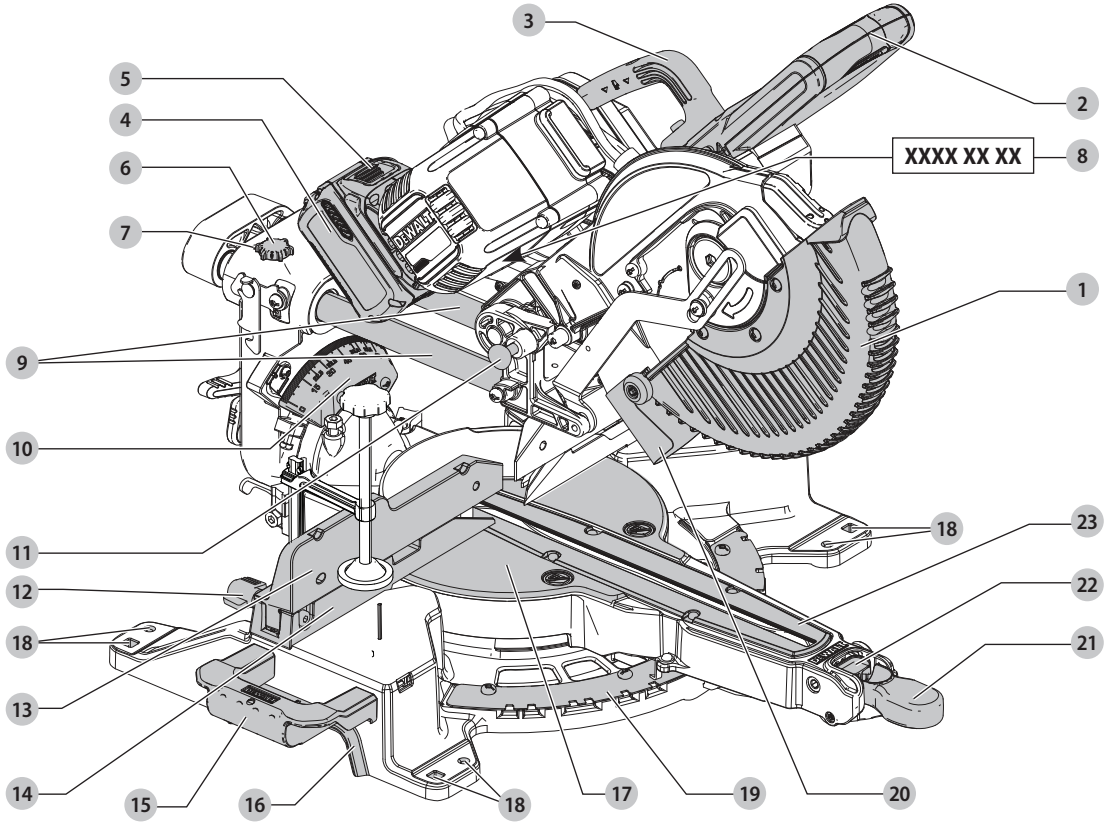


Fig. A2
그림 A2

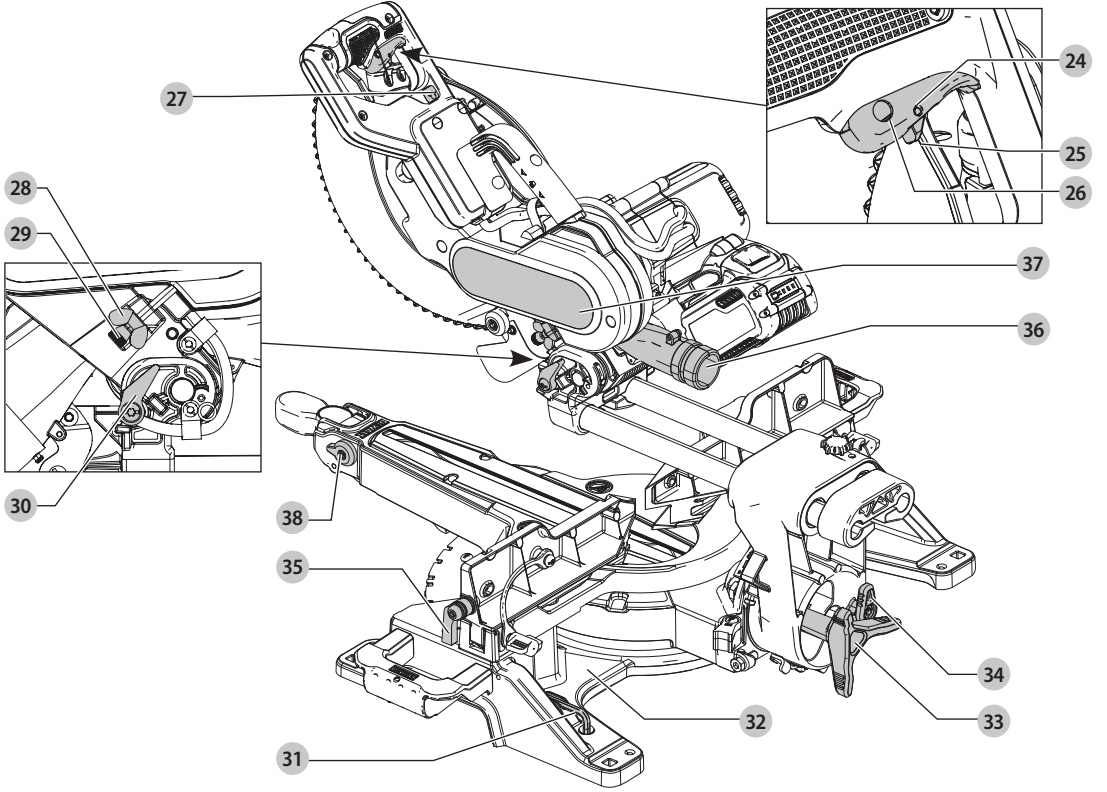


Fig. B
그림 B

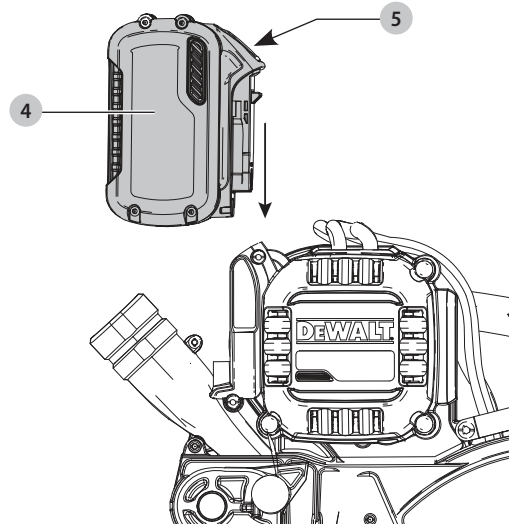
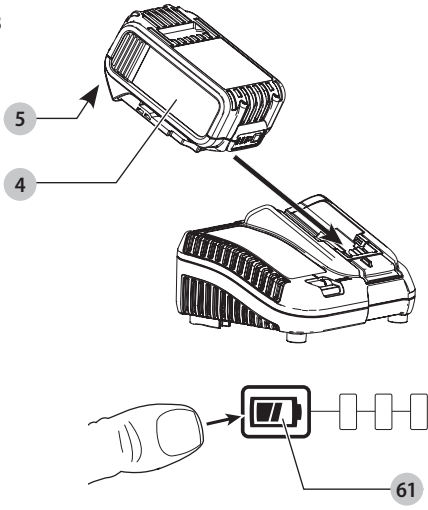


Fig. C
그림 C

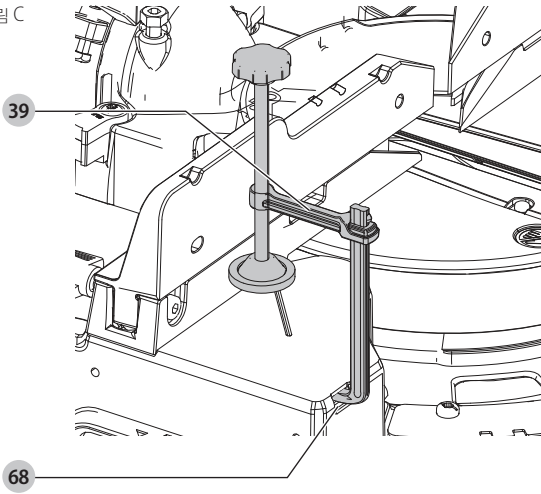


Fig. D
그림 D

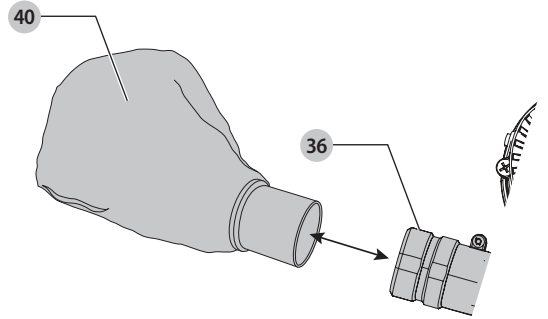


Fig. E
그림 E

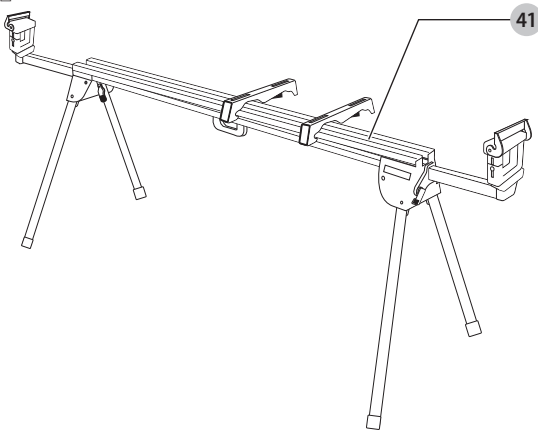


Fig. F
그림 F

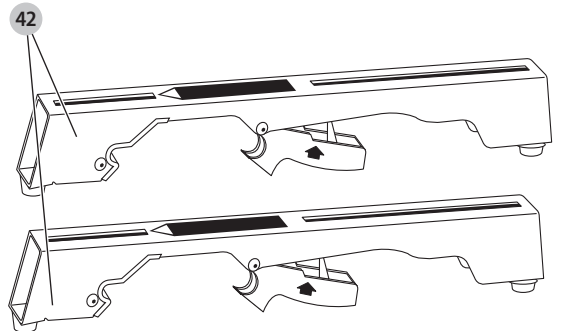


Fig. G
그림 G

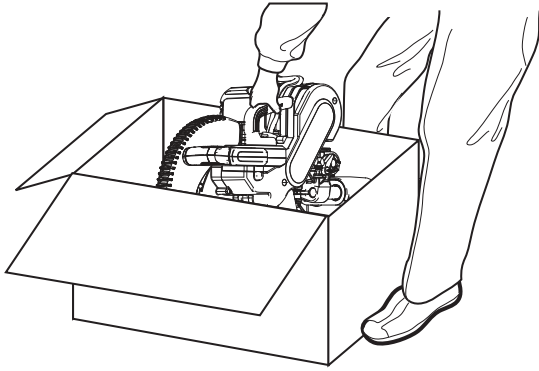


Fig. H1
그림 H1

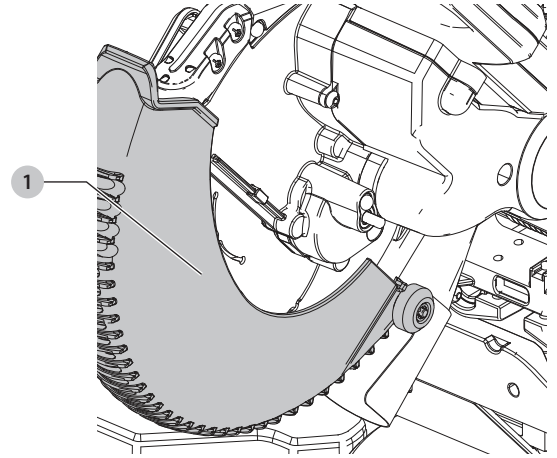


Fig. H2
그림 H2

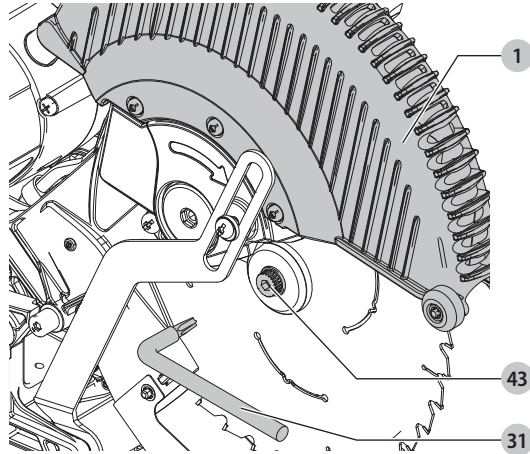


Fig. H3
그림 H1

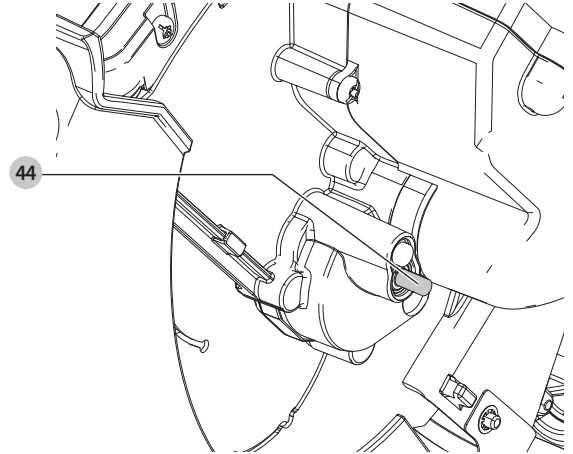


Fig. H4
그림 H4

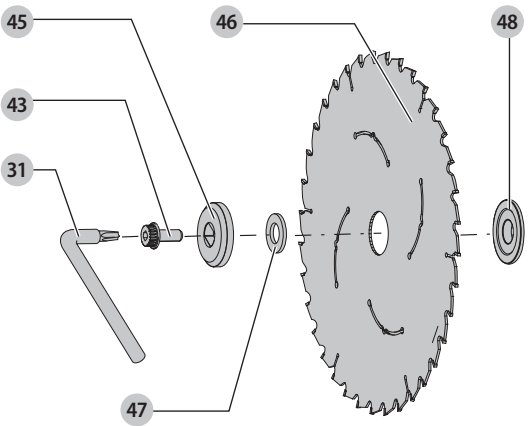


Fig. I
그림 I

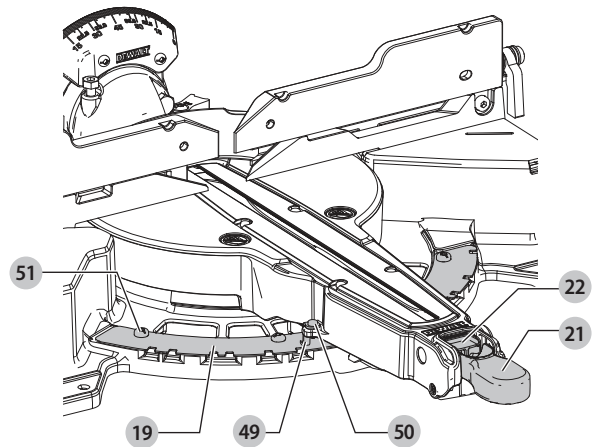


Fig. J
그림 J

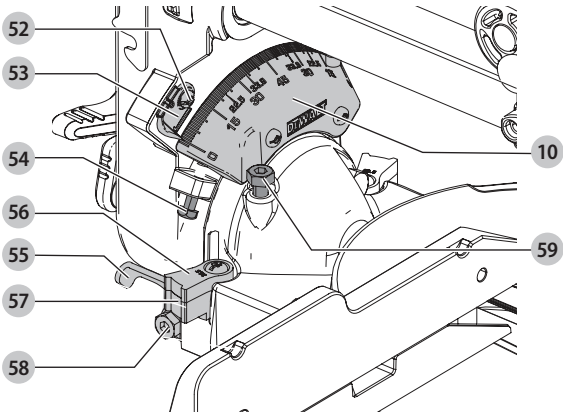


Fig. K
그림 K

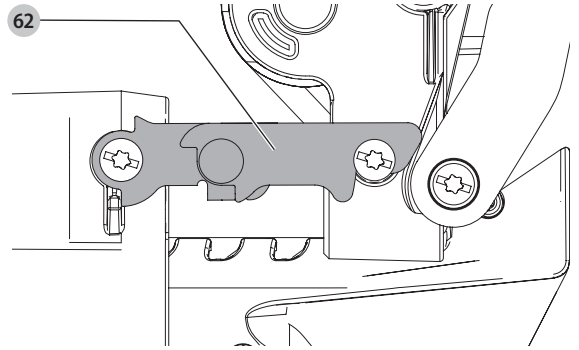


Fig. L
그림 L

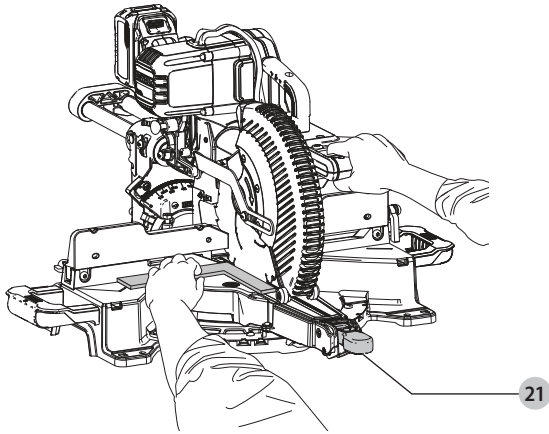


Fig. M
그림 M

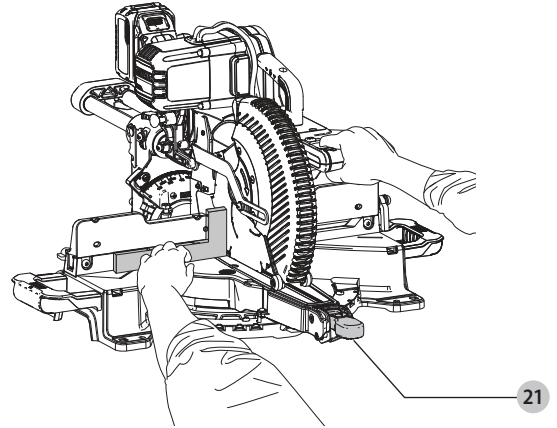


Fig. N
그림 N

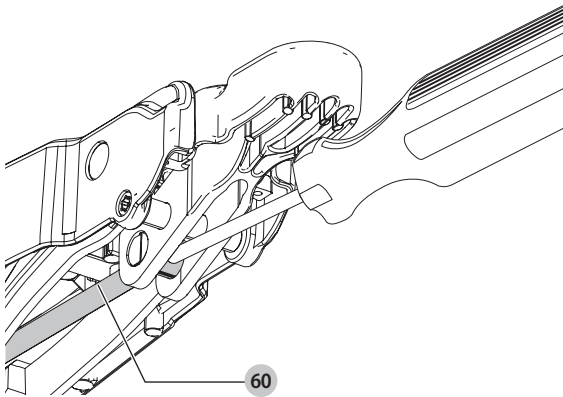


Fig. O1
그림 O1

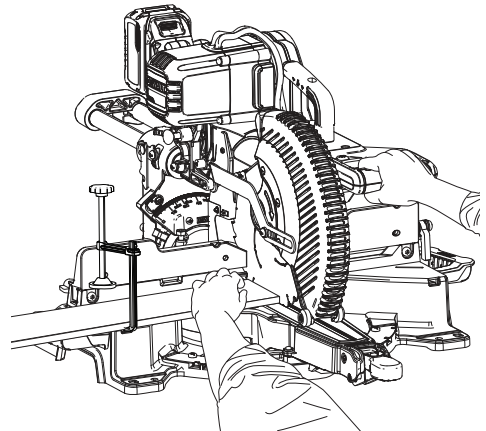


Fig. O2
그림 O2

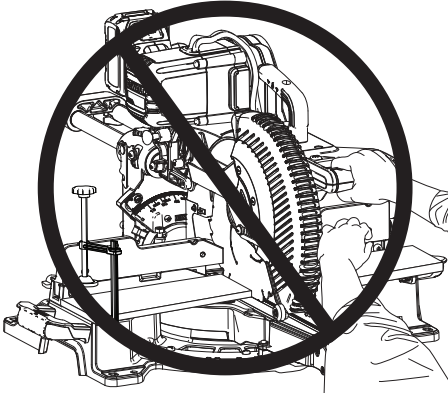


Fig. P
그림 P

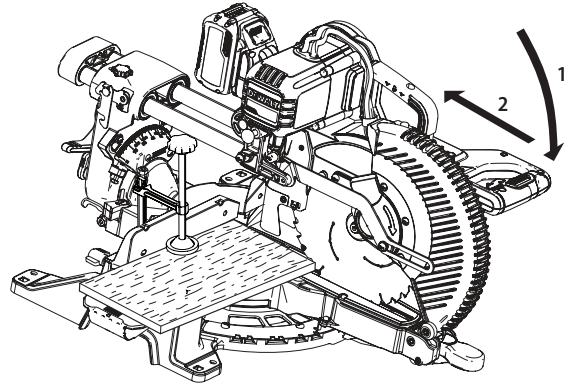


Fig. Q
그림 Q

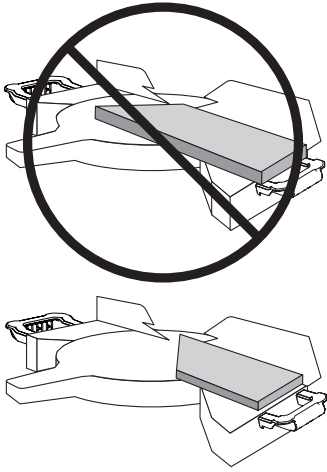


Fig. R
그림 R

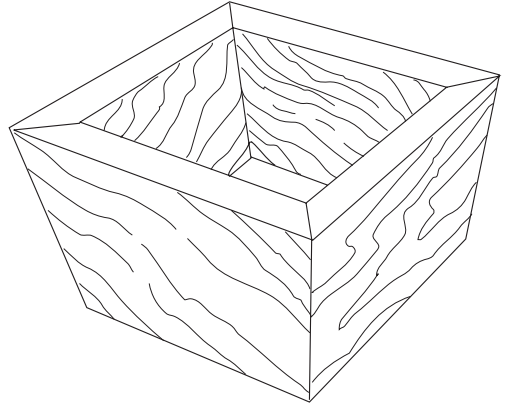


Fig. S
그림 S

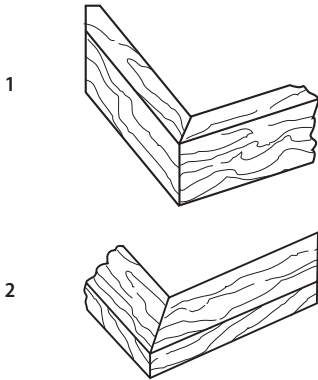


Fig. T
그림 T

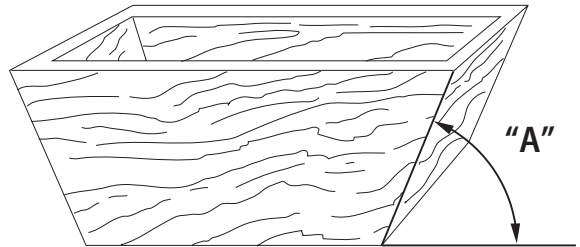


Fig. U
그림 U

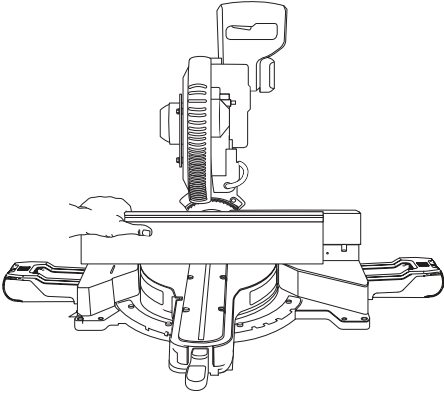


Fig. V1
그림 V1

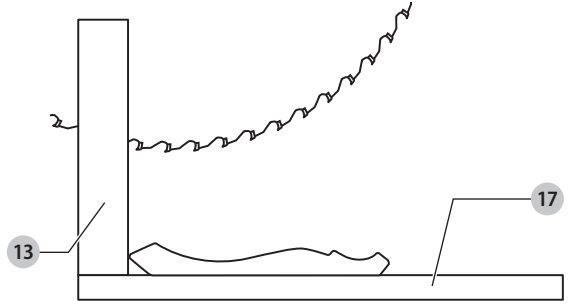


Fig. V2
그림 V2

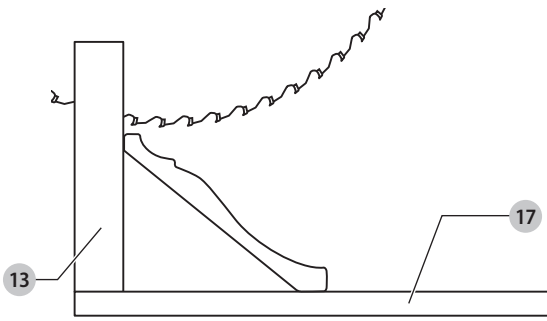


Fig. W1
그림 W1

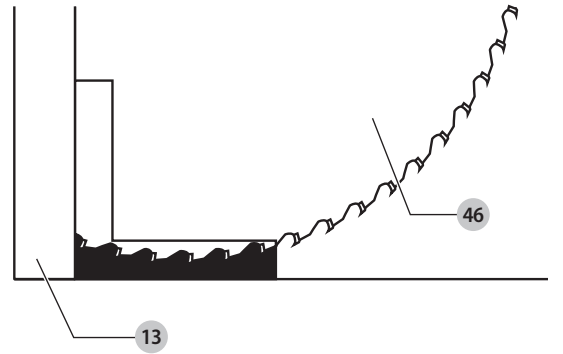


Fig. W1
그림 W1

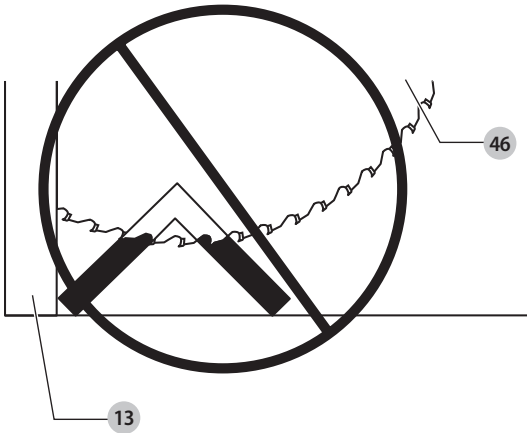


Fig. X1
그림 X1

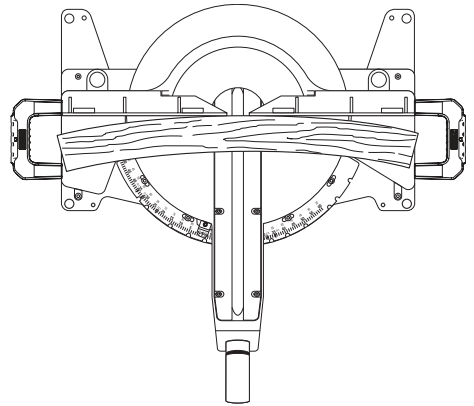


Fig. X2
그림 X1

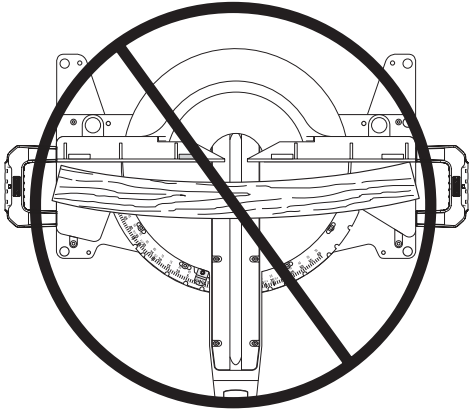


Fig. Y
그림 Y

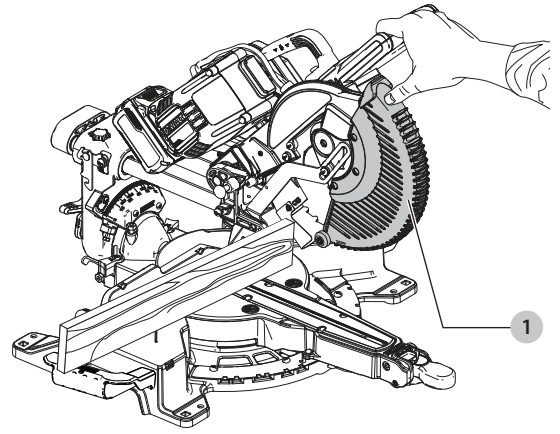


Fig. Z
그림 Z

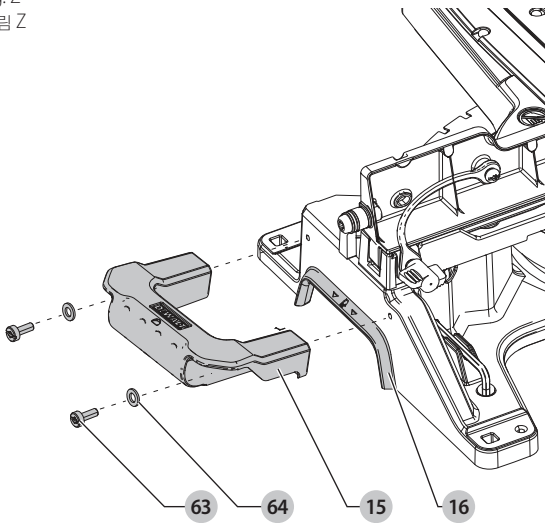
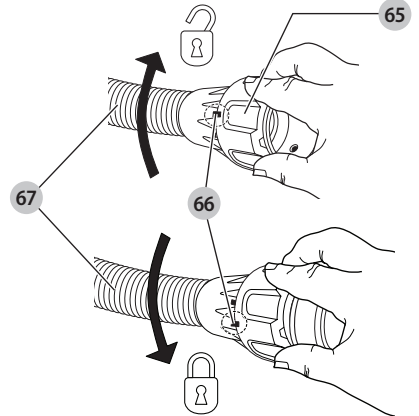


Fig. AA
그림 AA



MITRE SAW

DCS727

Congratulations!

You have chosen a DeWALT tool. Years of experience, thorough product development and innovation make DeWALT one of the most reliable partners for professional power tool users.

Technical Data

		DCS727
Voltage	V _{DC}	54 (60 Max)
Battery type		Li-Ion
Blade diameter	mm	254
Blade bore	mm	25.4
Blade body thickness	mm	1.75
Max. kerf thickness	mm	3.0
Max. blade speed	min ⁻¹	4300
Max. cross-cut capacity 90°	mm	305
Max. mitre capacity 45°	mm	215
Max. depth of cut 90°	mm	90
Max. depth of bevel cross-cut 45°	mm	50
Mitre (max. positions)	left	50°
	right	60°
Bevel (max. positions)	left	49°
	right	49°
0° mitre		
Baseboard max. height 150 mm	mm	28
Resulting width at max. height 90 mm	mm	290
Resulting height at max. width 305 mm	mm	77
45° mitre left		
Resulting width at max. height 90 mm	mm	200
Resulting height at max. width 210 mm	mm	77
45° mitre right		
Resulting width at max. height 90 mm	mm	200
Resulting height at max. width 210 mm	mm	77
45° bevel left		
Resulting width at max. height 60 mm	mm	290
Resulting height at max. width 305 mm	mm	50
45° bevel right		
Resulting width at max. height 28 mm	mm	290
Resulting height at max. width 305 mm	mm	20
Automatic blade brake time	s	< 4
Weight (without battery pack)	kg	20.5

Batteries				Chargers/Charge Times (Minutes)							
Cat#	V _{DC}	Ah	Weight(kg)	DCB104	DCB107	DCB112	DCB113	DCB115	DCB118	DCB132	DCB119
DCB606	18/54 (20/60 Max)	6.0/2.0	1.05	60	270	170	140	90	60	90	X
DCB609	18/54 (20/60 Max)	9.0/3.0	1.46	75*	420	270	220	135*	75*	135*	X
DCB612	18/54 (20/60 Max)	12.0/4.0	1.44	120	540	350	300	180	120	180	X
DCB181	18 (20 Max)	1.5	0.35	22	70	45	35	22	22	22	45
DCB182	18 (20 Max)	4.0	0.61	60/40**	185	120	100	60	60/40**	60	120
DCB183/B	18(20 Max)	2.0	0.40	30	90	60	50	30	30	30	60
DCB184/B	18(20 Max)	5.0	0.62	75/50**	240	150	120	75	75/50**	75	150
DCB185	18(20 Max)	1.3	0.35	22	60	40	30	22	22	22	X
DCB187	18(20 Max)	3.0	0.54	45	140	90	70	45	45	45	90
DCB189	18(20 Max)	4.0	0.54	60	185	120	100	60	60	60	120



WARNING: To reduce the risk of injury, read the instruction manual.

Definitions: Safety Guidelines

The definitions below describe the level of severity for each signal word. Please read the manual and pay attention to these symbols.



DANGER: Indicates an imminently hazardous situation which, if not avoided, **will** result in **death or serious injury**.



WARNING: Indicates a potentially hazardous situation which, if not avoided, **could** result in **death or serious injury**.



CAUTION: Indicates a potentially hazardous situation which, if not avoided, **may** result in **minor or moderate injury**.

NOTICE: Indicates a practice **not related to personal injury** which, if not avoided, **may** result in **property damage**.



Denotes risk of electric shock.



Denotes risk of fire.

GENERAL POWER TOOL SAFETY WARNINGS



WARNING: Read all safety warnings, instructions, illustrations and specifications provided with this power tool. Failure to follow all instructions listed below may result in electric shock, fire and/or serious injury.

SAVE ALL WARNINGS AND INSTRUCTIONS FOR FUTURE REFERENCE.

The term "power tool" in the warnings refers to your mains-operated (corded) power tool or battery-operated (cordless) power tool.

1) Work Area Safety

- Keep work area clean and well lit.** Cluttered or dark areas invite accidents.
- Do not operate power tools in explosive atmospheres, such as in the presence of flammable liquids, gases or dust.** Power tools create sparks which may ignite the dust or fumes.
- Keep children and bystanders away while operating a power tool.** Distractions can cause you to lose control.

2) Electrical Safety

- Power tool plugs must match the outlet. Never modify the plug in any way. Do not use any adapter plugs with earthed (grounded) power tools.** Unmodified plugs and matching outlets will reduce risk of electric shock.
- Avoid body contact with earthed or grounded surfaces, such as pipes, radiators, ranges and refrigerators.** There is an increased risk of electric shock if your body is earthed or grounded.
- Do not expose power tools to rain or wet conditions.** Water entering a power tool will increase the risk of electric shock.
- Do not abuse the cord. Never use the cord for carrying, pulling or unplugging the power tool. Keep cord away from heat, oil, sharp edges or moving parts.** Damaged or entangled cords increase the risk of electric shock.
- When operating a power tool outdoors, use an extension cord suitable for outdoor use.** Use of a cord suitable for outdoor use reduces the risk of electric shock.
- If operating a power tool in a damp location is unavoidable, use a residual current device (RCD) protected supply.** Use of an RCD reduces the risk of electric shock.

3) Personal Safety

- Stay alert, watch what you are doing and use common sense when operating a power tool. Do not use a power tool while you are tired or under the influence of drugs, alcohol or medication.** A moment of inattention while operating power tools may result in serious personal injury.

- Use personal protective equipment. Always wear eye protection.** Protective equipment such as a dust mask, non-skid safety shoes, hard hat or hearing protection used for appropriate conditions will reduce personal injuries.
- Prevent unintentional starting. Ensure the switch is in the off-position before connecting to power source and/or battery pack, picking up or carrying the tool.** Carrying power tools with your finger on the switch or energising power tools that have the switch on invites accidents.
- Remove any adjusting key or wrench before turning the power tool on.** A wrench or a key left attached to a rotating part of the power tool may result in personal injury.
- Do not overreach. Keep proper footing and balance at all times.** This enables better control of the power tool in unexpected situations.
- Dress properly. Do not wear loose clothing or jewellery. Keep your hair and clothing away from moving parts.** Loose clothes, jewellery or long hair can be caught in moving parts.
- If devices are provided for the connection of dust extraction and collection facilities, ensure these are connected and properly used.** Use of dust collection can reduce dust-related hazards.
- Do not let familiarity gained from frequent use of tools allow you to become complacent and ignore tool safety principles.** A careless action can cause severe injury within a fraction of a second.

4) Power Tool Use and Care

- Do not force the power tool. Use the correct power tool for your application.** The correct power tool will do the job better and safer at the rate for which it was designed.
- Do not use the power tool if the switch does not turn it on and off.** Any power tool that cannot be controlled with the switch is dangerous and must be repaired.
- Disconnect the plug from the power source and/or remove the battery pack, if detachable, from the power tool before making any adjustments, changing accessories, or storing power tools.** Such preventive safety measures reduce the risk of starting the power tool accidentally.
- Store idle power tools out of the reach of children and do not allow persons unfamiliar with the power tool or these instructions to operate the power tool.** Power tools are dangerous in the hands of untrained users.
- Maintain power tools and accessories. Check for misalignment or binding of moving parts, breakage of parts and any other condition that may affect the power tool's operation. If damaged, have the power tool repaired before use.** Many accidents are caused by poorly maintained power tools.
- Keep cutting tools sharp and clean.** Properly maintained cutting tools with sharp cutting edges are less likely to bind and are easier to control.
- Use the power tool, accessories and tool bits etc. in accordance with these instructions, taking into account the working conditions and the work to be performed.** Use of the power tool for operations different from those intended could result in a hazardous situation.
- Keep handles and grasping surfaces dry, clean and free from oil and grease.** Slippery handles and grasping surfaces do not allow for safe handling and control of the tool in unexpected situations.

5) Battery Tool Use and Care

- Recharge only with the charger specified by the manufacturer.** A charger that is suitable for one type of battery pack may create a risk of fire when used with another battery pack.
- Use power tools only with specifically designated battery packs.** Use of any other battery packs may create a risk of injury and fire.
- When battery pack is not in use, keep it away from other metal objects, like paper clips, coins, keys, nails, screws or other small metal objects, that can make a connection from one terminal**

to another. Shorting the battery terminals together may cause burns or a fire.

- d) **Under abusive conditions, liquid may be ejected from the battery; avoid contact. If contact accidentally occurs, flush with water. If liquid contacts eyes, additionally seek medical help.** Liquid ejected from the battery may cause irritation or burns.
- e) **Do not use a battery pack or tool that is damaged or modified.** Damaged or modified batteries may exhibit unpredictable behaviour resulting in fire, explosion or risk of injury.
- f) **Do not expose a battery pack or tool to fire or excessive temperature.** Exposure to fire or temperature above 130 °C may cause explosion.
- g) **Follow all charging instructions and do not charge the battery pack or tool outside the temperature range specified in the instructions.** Charging improperly or at temperatures outside the specified range may damage the battery and increase the risk of fire.

6) Service

- a) **Have your power tool serviced by a qualified repair person using only identical replacement parts.** This will ensure that the safety of the power tool is maintained.
- b) **Never service damaged battery packs.** Service of battery packs should only be performed by the manufacturer or authorized service providers.

Safety Instructions for Mitre Saws

- a) **Mitre saws are intended to cut wood or wood-like products, they cannot be used with abrasive cut-off wheels for cutting ferrous material such as bars, rods, studs, etc.** Abrasive dust causes moving parts such as the lower guard to jam. Sparks from abrasive cutting will burn the lower guard, the kerf insert and other plastic parts.
- b) **Use clamps to support the workpiece whenever possible. If supporting the workpiece by hand, you must always keep your hand at least 100 mm from either side of the saw blade. Do not use this saw to cut pieces that are too small to be securely clamped or held by hand.** If your hand is placed too close to the saw blade, there is an increased risk of injury from blade contact.
- c) **The workpiece must be stationary and clamped or held against both the fence and the table. Do not feed the workpiece into the blade or cut "freehand" in any way.** Unrestrained or moving workpieces could be thrown at high speeds, causing injury.
- d) **Push the saw through the workpiece. Do not pull the saw through the workpiece. To make a cut, raise the saw head and pull it out over the workpiece without cutting, start the motor, press the saw head down and push the saw through the workpiece.** Cutting on the pull stroke is likely to cause the saw blade to climb on top of the workpiece and violently throw the blade assembly towards the operator.
- e) **Never cross your hand over the intended line of cutting either in front or behind the saw blade.** Supporting the workpiece "cross handed" i.e. holding the workpiece to the right of the saw blade with your left hand or vice versa is very dangerous.
- f) **Do not reach behind the fence with either hand closer than 100 mm from either side of the saw blade, to remove wood scraps, or for any other reason while the blade is spinning.** The proximity of the spinning saw blade to your hand may not be obvious and you may be seriously injured.
- g) **Inspect your workpiece before cutting. If the workpiece is bowed or warped, clamp it with the outside bowed face toward the fence. Always make certain that there is no gap between the workpiece, fence and table along the line of the cut.** Bent or warped workpieces can twist or shift and may cause binding on the spinning saw blade while cutting. There should be no nails or foreign objects in the workpiece.

- h) **Do not use the saw until the table is clear of all tools, wood scraps, etc., except for the workpiece.** Small debris or loose pieces of wood or other objects that contact the revolving blade can be thrown with high speed.
- i) **Cut only one workpiece at a time.** Stacked multiple workpieces cannot be adequately clamped or braced and may bind on the blade or shift during cutting.
- j) **Ensure the mitre saw is mounted or placed on a level, firm work surface before use.** A level and firm work surface reduces the risk of the mitre saw becoming unstable.
- k) **Plan your work. Every time you change the bevel or mitre angle setting, make sure the adjustable fence is set correctly to support the workpiece and will not interfere with the blade or the guarding system.** Without turning the tool "ON" and with no workpiece on the table, move the saw blade through a complete simulated cut to assure there will be no interference or danger of cutting the fence.
- l) **Provide adequate support such as table extensions, saw horses, etc. for a workpiece that is wider or longer than the table top.** Workpieces longer or wider than the mitre saw table can tip if not securely supported. If the cut-off piece or workpiece tips, it can lift the lower guard or be thrown by the spinning blade.
- m) **Do not use another person as a substitute for a table extension or as additional support.** Unstable support for the workpiece can cause the blade to bind or the workpiece to shift during the cutting operation pulling you and the helper into the spinning blade.
- n) **The cut-off piece must not be jammed or pressed by any means against the spinning saw blade.** If confined, i.e. using length stops, the cut-off piece could get wedged against the blade and thrown violently.
- o) **Always use a clamp or a fixture designed to properly support round material such as rods or tubing.** Rods have a tendency to roll while being cut, causing the blade to "bite" and pull the work with your hand into the blade.
- p) **Let the blade reach full speed before contacting the workpiece.** This will reduce the risk of the workpiece being thrown.
- q) **If the workpiece or blade becomes jammed, turn the mitre saw off. Wait for all moving parts to stop and disconnect the plug from the power source and/or remove the battery pack. Then work to free the jammed material.** Continued sawing with a jammed workpiece could cause loss of control or damage to the mitre saw.
- r) **After finishing the cut, release the switch, hold the saw head down and wait for the blade to stop before removing the cut-off piece.** Reaching with your hand near the coasting blade is dangerous.
- s) **Hold the handle firmly when making an incomplete cut or when releasing the switch before the saw head is completely in the down position.** The braking action of the saw may cause the saw head to be suddenly pulled downward, causing a risk of injury.

Additional Safety Rules for Mitre Saws



WARNING: Do not connect to the mains power supply into the unit until complete instructions are read and understood.

- **DO NOT OPERATE THIS MACHINE** until it is completely assembled and installed according to the instructions. A machine incorrectly assembled can cause serious injury.
- **OBTAIN ADVICE** from your supervisor, instructor, or another qualified person if you are not thoroughly familiar with the operation of this machine. Knowledge is safety.
- **MAKE CERTAIN** the blade rotates in the correct direction. The teeth on the blade should point in the direction of rotation as marked on the saw.
- **TIGHTEN ALL CLAMP HANDLES,** knobs and levers prior to operation. Loose clamps can cause parts or the workpiece to be thrown at high speeds.

- **AVOID UNCONTROLLED RELEASE OF THE SAW HEAD FROM FULLY DOWN POSITION.** Otherwise, there is a risk that the machine will tip over.
 - **BE SURE** all blade and blade clamps are clean, recessed sides of blade clamps are against blade and arbour screw is tightened securely. Loose or improper blade clamping may result in damage to the saw and possible personal injury.
 - **DO NOT OPERATE ON ANYTHING OTHER THAN THE DESIGNATED VOLTAGE** for the saw. Overheating, damage to the tool and personal injury may occur.
 - **DO NOT WEDGE ANYTHING AGAINST THE FAN** to hold the motor shaft. Damage to tool and possible personal injury may occur.
 - **NEVER CUT METALS** or masonry. Either of these can cause the carbide tips to fly off the blade at high speeds causing serious injury.
 - **NEVER HAVE ANY PART OF YOUR BODY IN LINE WITH THE PATH OF THE SAW BLADE.** Personal injury will occur.
 - **NEVER APPLY BLADE LUBRICANT TO A RUNNING BLADE.** Applying lubricant could cause your hand to move into the blade resulting in serious injury.
 - **DO NOT** place either hand in the blade area when the saw is connected to the power source. Inadvertent blade activation may result in serious injury.
 - **NEVER REACH AROUND OR BEHIND THE SAW BLADE.** A blade can cause serious injury.
 - **DO NOT REACH UNDERNEATH THE SAW** unless it is unplugged and turned off. Contact with saw blade may cause personal injury.
 - **SECURE THE MACHINE TO A STABLE SUPPORTING SURFACE.** Vibration can possibly cause the machine to slide, walk, or tip over, causing serious injury.
 - **USE ONLY CROSSCUT SAW BLADES** recommended for mitre saws. For best results, do not use carbide tipped blades with hook angles in excess of 7 degrees. Do not use blades with deep gullets. These can deflect and contact the guard, and can cause damage to the machine and/or serious injury.
 - **USE ONLY BLADES OF THE CORRECT SIZE AND TYPE** specified for this tool to prevent damage to the machine and/or serious injury (complying with EN847-1).
 - **INSPECT BLADE FOR CRACKS** or other damage prior to operation. A cracked or damaged blade can come apart and pieces can be thrown at high speeds, causing serious injury. Replace cracked or damaged blades immediately. Observe the maximum speed marked on the saw blade.
 - **THE MAXIMUM SPEED OF THE SAW BLADE** shall always be greater than or at least equal to the speed marked on the rating plate of the tool.
 - **THE SAW BLADE DIAMETER** must be in accordance with the markings on rating plate of the tool.
 - **CLEAN THE BLADE AND BLADE CLAMPS** prior to operation. Cleaning the blade and blade clamps allows you to check for any damage to the blade or blade clamps. A cracked or damaged blade or blade clamp can come apart and pieces can be thrown at high speeds, causing serious injury.
 - **DO NOT USE WARPED BLADES.** Check to see if the blade runs true and is free from vibration. A vibrating blade can cause damage to the machine and/or serious injury.
 - **DO NOT** use lubricants or cleaners (particularly spray or aerosol) in the vicinity of the plastic guard. The polycarbonate material used in the guard is subject to attack by certain chemicals.
 - **KEEP GUARD IN PLACE** and in working order.
 - **ALWAYS USE THE KERF PLATE AND REPLACE THIS PLATE WHEN DAMAGED.** Small chip accumulation under the saw may interfere with the saw blade or may cause instability of workpiece when cutting.
 - **USE ONLY BLADE CLAMPS SPECIFIED FOR THIS TOOL** to prevent damage to the machine and/or serious injury.
 - **MAKE SURE** to use the correct saw blade for the material to be cut.
 - **CLEAN THE MOTOR AIR SLOTS** of chips and sawdust. Clogged motor air slots can cause the machine to overheat, damaging the machine and possibly causing a short which could cause serious injury.
 - **NEVER LOCK THE SWITCH IN THE "ON" POSITION.** Severe personal injury may result.
 - **NEVER STAND ON TOOL.** Serious injury could occur if the tool is tipped or if the cutting tool is unintentionally contacted.
-  **WARNING:** Cutting plastics, sap coated wood, and other materials may cause melted material to accumulate on the blade tips and the body of the saw blade, increasing the risk of blade overheating and binding while cutting.
-  **WARNING: Always wear proper personal hearing protection.** Under some conditions and duration of use, noise from this product may contribute to hearing loss. Be aware of the following factors influencing exposure to noise:
- Use saw blades designed to reduce the emitted noise,
 - Use only well sharpened saw blades, and
 - Use specifically designed noise-reduction saw blades.
-  **WARNING: ALWAYS** use safety glasses. Everyday eyeglasses are NOT safety glasses. Also use face or dust mask if cutting operation is dusty.
-  **WARNING:** Use of this tool can generate and/or disperse dust, which may cause serious and permanent respiratory or other injury.
-  **WARNING:** Some dust created by power sanding, sawing, grinding, drilling, and other construction activities contains chemicals known to cause cancer, birth defects or other reproductive harm. Some examples of these chemicals are:
- lead from lead-based paints,
 - crystalline silica from bricks and cement and other masonry products, and
 - arsenic and chromium from chemically-treated lumber.
- Your risk from these exposures varies, depending on how often you do this type of work. To reduce your exposure to these chemicals: work in a well ventilated area, and work with approved safety equipment, such as those dust masks that are specially designed to filter out microscopic particles.
- **Avoid prolonged contact with dust from power sanding, sawing, grinding, drilling, and other construction activities.** Wear protective clothing and wash exposed areas with soap and water. Allowing dust to get into your mouth, eyes, or lay on the skin may promote absorption of harmful chemicals.
-  **WARNING:** Use of this tool can generate and/or disperse dust, which may cause serious and permanent respiratory or other injury. Always use approved respiratory protection appropriate for the dust exposure.

Residual Risks

The following risks are inherent to the use of saws:

- Injuries caused by touching the rotating parts.
- In spite of the application of the relevant safety regulations and the implementation of safety devices, certain residual risks cannot be avoided. These are:
- Impairment of hearing.
 - Risk of accidents caused by the uncovered parts of the rotating saw blade.
 - Risk of injury when changing the blade.
 - Risk of squeezing fingers when opening the guards.
 - Health hazards caused by breathing dust developed when sawing wood, especially oak, beech and MDF.

The following factors increase the risk of breathing problems:

- No dust extractor connected when sawing wood.
- Insufficient dust extraction caused by uncleaned exhaust filters.

SAVE THESE INSTRUCTIONS

Chargers

DEWALT chargers require no adjustment and are designed to be as easy as possible to operate.

Electrical Safety

The electric motor has been designed for one voltage only. Always check that the battery pack voltage corresponds to the voltage on the rating plate. Also make sure that the voltage of your charger corresponds to that of your mains.



Your DEWALT charger is double insulated in accordance with IEC60335; therefore no earth wire is required.

If the supply cord is damaged, it must be replaced only by DEWALT or an authorised service organisation.

Using an Extension Cable

An extension cord should not be used unless absolutely necessary. Use an approved extension cable suitable for the power input of your charger (see **Technical Data**). The minimum conductor size is 1 mm²; the maximum length is 30 m.

When using a cable reel, always unwind the cable completely.

Important Safety Instructions for All Battery Chargers

SAVE THESE INSTRUCTIONS: This manual contains important safety and operating instructions for compatible battery chargers (refer to **Technical Data**).

- Before using charger, read all instructions and cautionary markings on charger, battery pack, and product using battery pack.



WARNING: Shock hazard. Do not allow any liquid to get inside charger. Electric shock may result.



WARNING: We recommend the use of a residual current device with a residual current rating of 30mA or less.



CAUTION: Burn hazard. To reduce the risk of injury, charge only DEWALT rechargeable batteries. Other types of batteries may burst causing personal injury and damage.





CAUTION: Children should be supervised to ensure that they do not play with the appliance.

NOTICE: Under certain conditions, with the charger plugged into the power supply, the exposed charging contacts inside the charger can be shorted by foreign material. Foreign materials of a conductive nature such as, but not limited to, steel wool, aluminum foil or any buildup of metallic particles should be kept away from charger cavities. Always unplug the charger from the power supply when there is no battery pack in the cavity. Unplug charger before attempting to clean

- **DO NOT attempt to charge the battery pack with any chargers other than the ones in this manual.** The charger and battery pack are specifically designed to work together.
- **These chargers are not intended for any uses other than charging DEWALT rechargeable batteries.** Any other uses may result in risk of fire, electric shock or electrocution.
- **Do not expose charger to rain or snow.**
- **Pull by plug rather than cord when disconnecting charger.** This will reduce risk of damage to electric plug and cord.
- **Make sure that cord is located so that it will not be stepped on, tripped over, or otherwise subjected to damage or stress.**
- **Do not use an extension cord unless it is absolutely necessary.** Use of improper extension cord could result in risk of fire, electric shock, or electrocution.
- **Do not place any object on top of charger or place the charger on a soft surface that might block the ventilation slots and result in excessive internal heat.** Place the charger in a position away from any heat source. The charger is ventilated through slots in the top and the bottom of the housing.

- **Do not operate charger with damaged cord or plug**—have them replaced immediately.
- **Do not operate charger if it has received a sharp blow, been dropped, or otherwise damaged in any way.** Take it to an authorised service centre.
- **Do not disassemble charger; take it to an authorised service centre when service or repair is required.** Incorrect reassembly may result in a risk of electric shock, electrocution or fire.
- *In case of damaged power supply cord the supply cord must be replaced immediately by the manufacturer, its service agent or similar qualified person to prevent any hazard.*
- **Disconnect the charger from the outlet before attempting any cleaning. This will reduce the risk of electric shock.** Removing the battery pack will not reduce this risk.
- **NEVER attempt to connect two chargers together.**
- **The charger is designed to operate on standard 220-240V household electrical power. Do not attempt to use it on any other voltage.** This does not apply to the vehicular charger.

Charging a Battery (Fig. B)

1. Plug the charger into an appropriate outlet before inserting battery pack.
2. Insert the battery pack  into the charger, making sure the battery pack is fully seated in the charger. The red (charging) light will blink repeatedly indicating that the charging process has started.
3. The completion of charge will be indicated by the red light remaining ON continuously. The battery pack is fully charged and may be used at this time or left in the charger. To remove the battery pack from the charger, push the battery release button  on the battery pack.

NOTE: To ensure maximum performance and life of lithium-ion battery packs, charge the battery pack fully before first use.

Charger Operation

Refer to the indicators below for the charge status of the battery pack.

Charge Indicators		
	Charging	
	Fully Charged	
	Hot/Cold Pack Delay*	

*The red light will continue to blink, but a yellow indicator light will be illuminated during this operation. Once the battery pack has reached an appropriate temperature, the yellow light will turn off and the charger will resume the charging procedure.

The compatible charger(s) will not charge a faulty battery pack. The charger will indicate faulty battery by refusing to light.

NOTE: This could also mean a problem with a charger.

If the charger indicates a problem, take the charger and battery pack to be tested at an authorised service centre.

Hot/Cold Pack Delay

When the charger detects a battery pack that is too hot or too cold, it automatically starts a Hot/Cold Pack Delay, suspending charging until the battery pack has reached an appropriate temperature. The charger then automatically switches to the pack charging mode. This feature ensures maximum battery pack life.

A cold battery pack will charge at a slower rate than a warm battery pack. The battery pack will charge at that slower rate throughout the entire charging cycle and will not return to maximum charge rate even if the battery pack warms.

The DCB118 charger is equipped with an internal fan designed to cool the battery pack. The fan will turn on automatically when the battery pack needs to be cooled. Never operate the charger if the fan does not operate

properly or if ventilation slots are blocked. Do not permit foreign objects to enter the interior of the charger.

Electronic Protection System

XR Li-Ion tools are designed with an Electronic Protection System that will protect the battery pack against overloading, overheating or deep discharge.

The tool will automatically turn off if the Electronic Protection System engages. If this occurs, place the lithium-ion battery pack on the charger until it is fully charged.

Wall Mounting

These chargers are designed to be wall mountable or to sit upright on a table or work surface. If wall mounting, locate the charger within reach of an electrical outlet, and away from a corner or other obstructions which may impede air flow. Use the back of the charger as a template for the location of the mounting screws on the wall. Mount the charger securely using drywall screws (purchased separately) at least 25.4 mm long with a screw head diameter of 7–9 mm, screwed into wood to an optimal depth leaving approximately 5.5 mm of the screw exposed. Align the slots on the back of the charger with the exposed screws and fully engage them in the slots.

Charger Cleaning Instructions

WARNING: Shock hazard. Disconnect the charger from the AC outlet before cleaning. Dirt and grease may be removed from the exterior of the charger using a cloth or soft non-metallic brush. Do not use water or any cleaning solutions. Never let any liquid get inside the tool; never immerse any part of the tool into a liquid.

Battery Packs

Important Safety Instructions for All Battery Packs

When ordering replacement battery packs, be sure to include catalogue number and voltage.

The battery pack is not fully charged out of the carton. Before using the battery pack and charger, read the safety instructions below. Then follow charging procedures outlined.

READ ALL INSTRUCTIONS

- **Do not charge or use battery in explosive atmospheres, such as in the presence of flammable liquids, gases or dust.** Inserting or removing the battery from the charger may ignite the dust or fumes.
- **Never force battery pack into charger. Do not modify battery pack in any way to fit into a non-compatible charger as battery pack may rupture causing serious personal injury.**
- Charge the battery packs only in DEWALT chargers.
- **DO NOT splash or immerse in water or other liquids.**
- **Do not store or use the tool and battery pack in locations where the temperature may fall below 4 °C (34 °F) (such as outside sheds or metal buildings in winter), or reach or exceed 40 °C (104 °F) (such as outside sheds or metal buildings in summer).**
- **Do not incinerate the battery pack even if it is severely damaged or is completely worn out.** The battery pack can explode in a fire. Toxic fumes and materials are created when lithium-ion battery packs are burned.
- **If battery contents come into contact with the skin, immediately wash area with mild soap and water.** If battery liquid gets into the eye, rinse water over the open eye for 15 minutes or until irritation ceases. If medical attention is needed, the battery electrolyte is composed of a mixture of liquid organic carbonates and lithium salts.
- **Contents of opened battery cells may cause respiratory irritation.** Provide fresh air. If symptoms persists, seek medical attention.

WARNING: Burn hazard. Battery liquid may be flammable if exposed to spark or flame.

WARNING: Never attempt to open the battery pack for any reason. If battery pack case is cracked or damaged, do not insert into charger. Do not crush, drop or damage battery pack. Do not use a battery pack or charger that has received a sharp blow, been dropped, run over or damaged in any way (i.e., pierced with a nail, hit with a hammer, stepped on). Electric shock or electrocution may result. Damaged battery packs should be returned to service centre for recycling.

WARNING: Fire hazard. Do not store or carry the battery pack so that metal objects can contact exposed battery terminals. For example, do not place the battery pack in aprons, pockets, tool boxes, product kit boxes, drawers, etc., with loose nails, screws, keys, etc.

CAUTION: When not in use, place tool on its side on a stable surface where it will not cause a tripping or falling hazard. Some tools with large battery packs will stand upright on the battery pack but may be easily knocked over.

Transportation

WARNING: Fire hazard. Transporting batteries can possibly cause fire if the battery terminals inadvertently come in contact with conductive materials. When transporting batteries, make sure that the battery terminals are protected and well insulated from materials that could contact them and cause a short circuit.

NOTE: Lithium-ion batteries should not be put in checked baggage.

DEWALT batteries comply with all applicable shipping regulations as prescribed by industry and legal standards which include UN Recommendations on the Transport of Dangerous Goods; International Air Transport Association (IATA) Dangerous Goods Regulations, International Maritime Dangerous Goods (IMDG) Regulations, and the European Agreement Concerning The International Carriage of Dangerous Goods by Road (ADR). Lithium-ion cells and batteries have been tested to section 38.3 of the UN Recommendations on the Transport of Dangerous Goods Manual of Tests and Criteria.

In most instances, shipping a DEWALT battery pack will be excepted from being classified as a fully regulated Class 9 Hazardous Material. In general, only shipments containing a lithium-ion battery with an energy rating greater than 100 Watt Hours (Wh) will require being shipped as fully regulated Class 9. All lithium-ion batteries have the Watt Hour rating marked on the pack. Furthermore, due to regulation complexities, DEWALT does not recommend air shipping lithium-ion battery packs alone regardless of Watt Hour rating. Shipments of tools with batteries (combo kits) can be air shipped as excepted if the Watt Hour rating of the battery pack is no greater than 100 Whr.

Regardless of whether a shipment is considered excepted or fully regulated, it is the shipper's responsibility to consult the latest regulations for packaging, labeling/marketing and documentation requirements.

The information provided in this section of the manual is provided in good faith and believed to be accurate at the time the document was created. However, no warranty, expressed or implied, is given. It is the buyer's responsibility to ensure that its activities comply with the applicable regulations.

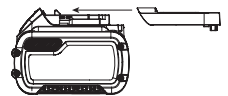
Transporting the FLEXVOLT™ Battery

The DEWALT FLEXVOLT™ battery has two modes: **Use and Transport.**

Use Mode: When the FLEXVOLT™ battery stands alone or is in a DEWALT 18V (20V Max) product, it will operate as an 18V (20V Max) battery. When the FLEXVOLT™ battery is in a 54V (60V Max) or a 108V (120V Max) (two 54V (60V Max) batteries) product, it will operate as a 54V (60V Max) battery.

Transport Mode: When the cap is attached to the FLEXVOLT™ battery, the battery is in Transport mode. Keep the cap for shipping.

When in Transport mode, strings of cells are electrically disconnected within the pack resulting in 3 batteries with a lower Watt hour (Wh) rating as compared to 1 battery with a higher Watt hour rating. This increased quantity of 3 batteries with



the lower Watt hour rating can exempt the pack from certain shipping regulations that are imposed upon the higher Watt hour batteries.

For example, the Transport Wh rating might indicate 3 x 36 Wh, meaning 3 batteries of 36 Wh each. The Use Wh rating might indicate 108 Wh (1 battery implied).

Example of Use and Transport Label Marking



Storage Recommendations

1. The best storage place is one that is cool and dry away from direct sunlight and excess heat or cold. For optimum battery performance and life, store battery packs at room temperature when not in use.
2. For long storage, it is recommended to store a fully charged battery pack in a cool, dry place out of the charger for optimal results.

NOTE: Battery packs should not be stored completely depleted of charge. The battery pack will need to be recharged before use.

Labels on Charger and Battery Pack

In addition to the pictographs used in this manual, the labels on the charger and the battery pack may show the following pictographs:



Read instruction manual before use.



See **Technical Data** for charging time.



Do not probe with conductive objects.



Do not charge damaged battery packs.



Do not expose to water.



Have defective cords replaced immediately.



Charge only between 4 °C and 40 °C.



Only for indoor use.



Discard the battery pack with due care for the environment.



Charge DeWALT battery packs only with designated DeWALT chargers. Charging battery packs other than the designated DeWALT batteries with a DeWALT charger may make them burst or lead to other dangerous situations.



Do not incinerate the battery pack.



USE (without transport cap). Example: Wh rating indicates 108 Wh (1 battery with 108 Wh).



TRANSPORT (with built-in transport cap). Example: Wh rating indicates 3 x 36 Wh (3 batteries of 36 Wh).

Battery Type

The DCS727 operates on a 54 volt (60V Max) battery pack. These battery packs may be used: DCB546, DCB547, DCB548. Refer to **Technical Data** for more information.

Package Contents

The package contains:

- 1 Assembled mitre saw
- 1 Blade wrench (assembled on the saw)
- 1 Saw blade (assembled on the saw)
- 1 Material clamp
- 2 Base extensions
- 2 Screws
- 2 Washers
- 1 Li-Ion battery pack (C1, D1, L1, M1, P1, S1, T1, X1, Y1 models)
- 2 Li-Ion battery packs (C2, D2, L2, M2, P2, S2, T2, X2, Y2 models)
- 3 Li-Ion battery packs (C3, D3, L3, M3, P3, S3, T3, X3, Y3 models)
- 1 Instruction manual

NOTE: Battery packs, chargers and kitboxes are not included with N models. Battery packs and chargers are not included with NT models.

- Check for damage to the tool, parts or accessories which may have occurred during transport.
- Take the time to thoroughly read and understand this manual prior to operation.

Markings on Tool

The following pictographs are shown on the tool:



Read instruction manual before use.



Wear ear protection.



Wear eye protection.



Keep hands away from blade.



Visible radiation. Do not stare into light.

Date Code Position (Fig. A)

The date code **8**, which also includes the year of manufacture, is printed into the housing.

Example:

2022 XX XX
Year of Manufacture

Description (Fig. A1, A2, C–F)



WARNING: Never modify the power tool or any part of it. Damage or personal injury could result.

Fig. A1

- | | |
|-----------------------------|--------------------------------|
| 1 Lower guard | 14 Base fence |
| 2 Operating handle | 15 Base extension/carry handle |
| 3 Carrying handle | 16 Hand indentation |
| 4 Battery | 17 Table |
| 5 Battery release button | 18 Bench mounting holes |
| 6 Rail lock knob | 19 Mitre scale |
| 7 Rail set screw adjustment | 20 Dust duct inlet |
| 8 Date code | 21 Mitre lock handle |
| 9 Rails | 22 Mitre latch button |
| 10 Bevel scale | 23 Kerf plate |
| 11 Lock down pin | Fig. A2 |
| 12 Fence adjustment knob | 24 Trigger switch |
| 13 Sliding fence | 25 Lock-off lever |
| | 26 Padlock hole |

- 27 XPST™ temporary on switch
 - 28 Wing nut
 - 29 Depth adjustment screw
 - 30 Grooving stop
 - 31 Blade wrench
 - 32 Base
 - 33 Bevel lock knob
 - 34 0° bevel stop
 - 35 Right-hand flip down stop
 - 36 Dust port
 - 37 Belt cover
 - 38 Mitre detent override
- Optional accessories**
- Fig. C
 - 39 DWS5026-XJ Workpiece clamp
 - Fig. D
 - 40 DW7053-QZ Dustbag
 - Fig. E
 - 41 DE7023-XJ / DE7033-XJ Leg stand
 - Fig. F
 - 42 DE7025-XJ Clamp brackets

Intended Use

Your DEWALT DCS727 mitre saw has been designed for professional cutting of wood, wood products and plastics. When using the appropriate saw blades, sawing aluminium is also possible. It performs the sawing operations of cross-cutting, bevelling and mitring easily, accurately and safely.


DO NOT use under wet conditions or in the presence of flammable liquids or gases.

This mitre saw is a professional power tool.

DO NOT let children come into contact with the tool. Supervision is required when inexperienced operators use this tool.

- **Young children and the infirm.** This appliance is not intended for use by young children or infirm persons without supervision.
- This product is not intended for use by persons (including children) suffering from diminished physical, sensory or mental abilities; lack of experience, knowledge or skills unless they are supervised by a person responsible for their safety. Children should never be left alone with this product.

ASSEMBLY AND ADJUSTMENTS

 **WARNING:** To reduce the risk of serious personal injury, turn tool off and disconnect battery pack before making any adjustments or removing/installing attachments or accessories. An accidental start-up can cause injury.

 **WARNING:** Use only DEWALT battery packs and chargers.

Inserting and Removing the Battery Pack from the Tool (Fig. B)

NOTE: Make sure your battery pack 4 is fully charged.

To Install the Battery Pack into the Tool Handle

1. Align the battery pack 4 with the rails inside the tool's handle (Fig. B).
2. Slide it into the handle until the battery pack is firmly seated in the tool and ensure that you hear the lock snap into place.

To Remove the Battery Pack from the Tool

1. Press the release button 5 and firmly pull the battery pack out of the tool handle.
2. Insert battery pack into the charger as described in the charger section of this manual.

Fuel Gauge Battery Packs (Fig. B)

Some DEWALT battery packs include a fuel gauge which consists of three green LED lights that indicate the level of charge remaining in the battery pack.

To actuate the fuel gauge, press and hold the fuel gauge button 61. A combination of the three green LED lights will illuminate designating the level of charge left. When the level of charge in the battery is below the usable limit, the fuel gauge will not illuminate and the battery will need to be recharged.

NOTE: The fuel gauge is only an indication of the charge left on the battery pack. It does not indicate tool functionality and is subject to variation based on product components, temperature and end-user application.

Unpacking (Fig. A1, G)


1. Open the box and lift the saw out by the convenient carrying handle 3, as shown in Figure G.
2. Place the saw on a smooth, flat surface.
3. Release the rail lock knob 6, and push the saw head back to lock it in the rear position.
4. Press down lightly on the operating handle 2 and pull out the lock down pin 11.
5. Gently release the downward pressure and hold the operating handle, allowing it to rise to its full height.

Bench Mounting (Fig. A1)


Holes 18 are provided in all four feet to facilitate bench mounting. Two different-sized holes are provided to accommodate different sizes of screws. Use either hole; it is not necessary to use both.


Always mount your saw firmly to a stable surface to prevent movement. To enhance the tool's portability, it can be mounted to a piece of 12.7 mm or thicker plywood which can then be clamped to your work support or moved to other job sites and reclaimed.

NOTE: If you elect to mount your saw to a piece of plywood, make sure that the mounting screws don't protrude from the bottom of the wood. The plywood must sit flush on the work support. When clamping the saw to any work surface, clamp only on the clamping bosses where the mounting screw holes are located. Clamping at any other point will interfere with the proper operation of the saw.

 **CAUTION:** To prevent binding and inaccuracy, be sure the mounting surface is not warped or otherwise uneven. If the saw rocks on the surface, place a thin piece of material under one saw foot until the saw sits firmly on the mounting surface.

Assembling the Base Extensions (Fig. Z)

 **WARNING:** Base extensions must be assembled to both sides of the saw's base before using the saw.


 **WARNING:** Be sure to adjust the base extensions using the mounting holes so they are level with the saw's base.

1. Locate the holes above the hand indentations 16 on the side of the base.
2. Using the supplied wrench or a T30 wrench, attach the screw 63 through the washer 64, through the base extension 15, and into the holes on the base.
3. Ensure the extension is secure by pulling on the extension to verify no movement.
4. Repeat steps 1 through 3 on the other side.

Changing or Installing a New Saw Blade

Removing the Blade (Fig. H1-H4)

 **WARNING:** To reduce the risk of injury, wear gloves when handling the saw blade.

 **WARNING:** To reduce the risk of serious personal injury, turn tool off and disconnect battery pack before making any adjustments or removing/installing attachments or accessories. An accidental start-up can cause injury.

- Never depress the spindle lock button while the blade is under power or coasting.
- Do not cut light alloy and ferrous metal (containing iron or steel) or masonry or fibre cement product with this mitre saw.

1. Remove the battery from the saw.
2. Raise the arm to the upper position and raise the lower guard 1 as far as possible.

- Depress the spindle lock button **44** while carefully rotating the saw blade by hand until the lock engages.
- Keeping the button depressed, use the other hand and the 6 mm wrench provided **31** to loosen the blade screw **43**. (Turn clockwise, left-hand threads.)
- Remove the blade screw **43**, outer clamp washer **45** and blade **46**. The inner washer **48** may be left on the spindle.
- Remove and retain the adaptor ring **47** from the old blade in case it is needed when installing a new blade.

Installing a Blade (Fig. H1–H4)

- Remove the battery from the saw.
- Snap the ring adaptor ring **47** into the hole of the new saw blade if necessary.
- With the arm raised and the lower guard **1** held open, mount the blade onto the shoulder of the inner washer **48**, making sure the teeth at the bottom of the blade point toward the back of the saw.
- Assemble the outer clamp washer onto the spindle.
- Install the blade screw and, engaging the spindle lock, tighten the screw firmly with wrench provided (turn counterclockwise, left-hand threads).



WARNING! Be aware the saw blade shall be replaced in the described way only. Only use saw blades as specified under **Technical Data**; Cat. no.: DT4260 is suggested.

Transporting the Saw (Fig. A1, A2)



WARNING: To reduce the risk of serious personal injury, ALWAYS lock the rail lock knob, mitre lock handle, bevel lock handle, lock down pin and fence adjustment knobs before transporting saw. Never use guards for transporting or lifting up.

In order to conveniently carry the mitre saw, a carrying handle **3** has been included on the top of the saw arm.

- To transport the saw, lower the head and depress the lock down pin **11**.
- Lock the rail lock knob with the saw head in the front position, lock the mitre arm in the full left mitre angle, slide the fence **13** completely inward and lock the bevel lock knob **33** with the saw head in the vertical position to make the tool as compact as possible.
- Always use the carrying handle **3** or the base extensions **15**.

Features and Controls



WARNING: To reduce the risk of serious personal injury, turn tool off and disconnect battery pack before making any adjustments or removing/installing attachments or accessories. An accidental start-up can cause injury..

Mitre Control (Fig. A2, I)

The mitre lock handle **21** and mitre latch button **22** allow you to mitre your saw to 60° right and 50° left. To mitre the saw, lift the mitre lock handle, push the mitre latch button and set the mitre angle desired on the mitre scale **19**. Push down on the mitre lock handle to lock the mitre angle.

Override the mitre latch button by unlocking the mitre lock knob and pushing the mitre detent override **38** downward. To exit the override, push the mitre detent override upward.

Bevel Lock Knob (Fig. A2)

The bevel lock allows you to bevel the saw 49° left or right. To adjust the bevel setting, turn the bevel lock knob **33** counterclockwise. The saw head bevels easily to the left or to the right once the 0° bevel override knob is pulled. To tighten, turn the bevel lock knob clockwise.

0° Bevel Override (Fig. A2)

The 0° bevel stop **34** override allows you to bevel the saw to the right past the 0° mark.

When engaged, the saw will automatically stop at 0° when brought up from the left. To temporarily move past 0° to the right, pull the bevel lock knob **33**. Once the knob is released, the override will be reengaged. The bevel lock knob can be locked out by twisting the knob 180°.

When at 0°, the override locks in place. To operate the override, bevel the saw slightly to the left.

45° Bevel Stop Override (Fig. J)

There are two bevel stop override levers, one on each side of the saw. To bevel the saw, left or right, past 45°, push the 45° bevel override lever **55** rearward. When in the rearward position, the saw can bevel past these stops. When the 45° stops are needed, pull the 45° bevel override lever forward.

Crown Bevel Pawls (Fig. J)

When cutting crown molding laying flat, your saw is equipped to accurately and rapidly set a crown stop, left or right (refer to **Instructions for Cutting Crown Molding Laying Flat and Using the Compound Features**)

The crown bevel pawl **57** can be rotated to contact the crown adjustment screw.

To reverse the crown bevel pawl, remove the retaining screw, the 22.5° bevel pawl **56** and the 30° crown bevel pawl **57**. Flip the crown bevel pawl **57** so the 30° text is facing up. Reattach the screw to secure the 22.5° bevel pawl and the crown bevel pawl. The accuracy setting will not be affected.

22.5° Bevel Pawls (Fig. J)

Your saw is equipped to rapidly and accurately set a 22.5° bevel, left or right. The 22.5° bevel pawl **56** can be rotated to contact the crown adjustment screw **54**.

Rail Lock Knob (Fig. A1)

The rail lock knob **6** allows you to lock the saw head firmly to keep it from sliding on the rails **9**. This is necessary when making certain cuts or when transporting the saw.

Grooving Stop (Fig. A2)

The grooving stop **30** allows the depth of cut of the blade to be limited. The stop is useful for applications such as grooving and tall vertical cuts. Rotate the grooving stop forward and adjust the depth adjustment screw **29** to set the desired depth of cut. To secure the adjustment, tighten the wing nut **28**. Rotating the grooving stop to the rear of the saw will bypass the grooving stop feature. If the depth adjustment screw is too tight to loosen by hand, the provided 6 mm blade wrench **31** can be used to loosen the screw.

Lock Down Pin (Fig. A1)



WARNING: The lock down pin should be used only when carrying or storing the saw. NEVER use the lock down pin for any cutting operation.

To lock the saw head in the down position, push the saw head down, push the lock down pin **11** in and release the saw head. This will hold the saw head safely down for moving the saw from place to place. To release, press the saw head down and pull the pin out.

Slide Lock Lever (Fig. K, U)

The slide lock lever **62** places the saw in a position to maximize cutting of base moulding when cut vertically as shown in Figure U.

Right-Hand Flip Down Stop (Fig. A1, A2)

The right-hand flip down stop **35** is mounted on the sliding fence **13** and can be rotated backward when not needed. When cutting multiple pieces at the same width, rotate the right-hand flip down stop forward, move out the sliding fence to the required distance from the blade (to be measured by a ruler) and with the wood board facing against the stop make the cut.

Adjustment

Your mitre saw is fully and accurately adjusted at the factory at the time of manufacture. If readjustment due to shipping and handling or any other

reason is required, follow the instructions below to adjust your saw. Once made, these adjustments should remain accurate.

Mitre Scale Adjustment (Fig. I, L)

1. Unlock the mitre lock handle **21** and swing the mitre arm until the mitre latch button **22** locks it at the 0° mitre position. Do not lock the mitre lock handle.
2. Place a square against the saw's fence and blade, as shown. (Do not touch the tips of the blade teeth with the square. To do so will cause an inaccurate measurement.)
3. If the saw blade is not exactly perpendicular to the fence, loosen the four screws **51** that hold the mitre scale **19** and move the mitre lock handle and the scale left or right until the blade is perpendicular to the fence, as measured with the square.
4. Retighten the four screws. Pay no attention to the reading of the mitre pointer **49** at this time.

Mitre Pointer Adjustment (Fig. I)

1. Unlock the mitre lock handle **21** to move the mitre arm to the zero position.
2. With the mitre lock handle unlocked, allow the mitre latch to snap into place as you rotate the mitre arm to zero.
3. Observe the mitre pointer **49** and mitre scale **19** shown in Figure I. If the pointer does not indicate exactly zero, loosen the mitre pointer screw **50** holding the pointer in place, reposition the pointer and tighten the screw.

Bevel Square to Table Adjustment (Fig. A1, A2, J, M)

1. To align the blade square to the table, lock the arm in the down position with the lock down pin **11**.
2. Place a square against the blade, ensuring the square is not on top of a tooth (Fig. M).
3. Loosen the bevel lock knob **33** and ensure the arm is firmly against the 0° bevel stop.
4. Rotate the 0° bevel adjustment screw (**59** Fig. J) with the 6 mm blade wrench **31** as necessary so that the blade is at 0° bevel to the table.

Bevel Pointer Adjustment (Fig. J)

If the bevel pointers **53** do not indicate zero, loosen each screw **52** that holds each bevel pointer in place and move them as necessary. Ensure the 0° bevel is correct and the bevel pointers are set before adjusting any other bevel angle screws.

Bevel Stop 45° Right and Left Adjustment (Fig. A2, J)

To adjust the right 45° bevel stop:

1. Slide the fence **13** to the full out position before beveling the saw.
2. Loosen the bevel lock knob **33** and pull the 0° bevel stop **34** to override the 0° bevel stop.
3. When the saw is fully to the right, if the bevel pointer **53** does not indicate exactly 45°, turn the left 45° bevel adjustment screw **58** with the 6 mm blade wrench **31** until the bevel pointer indicates 45°.

To adjust the left 45° bevel stop:

1. Slide the fence **13** to the full out position before beveling the saw.
2. Loosen the bevel lock knob and tilt the head to the left.
3. If the bevel pointer does not indicate exactly 45°, turn the right 45° bevel adjustment screw until the bevel pointer reads 45°.

Adjusting the Bevel Stop to 22.5° (or 30°) (Fig. A2, J)

NOTE: Adjust the bevel angles only after performing the 0° bevel angle and bevel pointer adjustment. Slide the sliding fences to the full out position before starting the 22.5° or 30° bevel adjustment.

To set the left 22.5° bevel angle, flip out the left 22.5° bevel pawl **56**. Loosen the bevel lock knob **33** and tilt the head fully to the left. If the bevel pointer **53** does not indicate exactly 22.5°, turn the crown adjustment screw **54** contacting the pawl with a 10 mm wrench until the bevel pointer reads 22.5°.

To adjust the right 22.5° bevel angle, flip out the right 22.5° bevel pawl. Loosen the bevel lock knob and pull the 0° bevel stop **34** to override the 0° bevel stop. When the saw is fully to the right, if the bevel pointer does not indicate exactly 22.5°, turn the crown adjustment screw **54** contacting the pawl with a 10 mm wrench until the bevel pointer indicates exactly 22.5°.

Fence Adjustment (Fig. A1)

The upper part of the fence can be adjusted to provide clearance, allowing the saw to bevel to a full 49° both left and right.

1. To adjust each fence **13**, loosen the fence adjustment knob **12** and slide the fence outward.
2. Make a dry run with the saw turned off and check for clearance.
3. Adjust the fence to be as close to the blade as practical to provide maximum workpiece support, without interfering with arm up and down movement.
4. Tighten the fence adjustment knob securely.
5. When the bevel operations are complete, relocate the fence.

NOTE: The tracks of the fences can become clogged with sawdust. Use a brush or some low pressure air to clear the guide grooves.

Guard Actuation and Visibility (Fig. Y)

The lower guard **11** on your saw has been designed to automatically uncover the blade when the arm is brought down and to cover the blade when the arm is raised.

The guard can be raised by hand when installing or removing saw blades or for inspection of the saw. NEVER RAISE THE lower GUARD MANUALLY UNLESS THE BLADE IS STOPPED.

Rail Guide Adjustment (Fig. A1)

Regularly check the rails **9** for play or clearance.

The left rail can be adjusted with the set screw **7**. To reduce clearance, use a 4 mm hex wrench and rotate the set screw clockwise gradually while sliding the saw head back and forth.

Mitre Lock Adjustment (Fig. A1, N)

The mitre lock rod **60** should be adjusted if the table of the saw can be moved when the mitre lock handle is locked (down).

1. Put the mitre lock handle **21** in the unlocked (up) position.
2. Using a slotted screwdriver, tighten the mitre lock rod by turning it clockwise as shown in Figure N. Turn the lock rod until it is snug, then turn counterclockwise one turn.
3. Re-lock the mitre lock to a non-detented measurement on the mitre scale – for example, 34° – and make sure the table will not rotate.



Prior to Operation (Fig. A1, A2)

- Install the appropriate saw blade. Do not use excessively worn blades. The maximum rotation speed of the tool must not exceed that of the saw blade. Do not use any abrasive blades.
- Check protective belt cover **37** for damage and proper functioning of lower guard **11**.
- Install the table extensions to both sides of the saw's base. Refer to **Assembling the Base Extensions** section.
- Do not attempt to cut excessively small pieces.
- Allow the blade to cut freely. Do not force.
- Allow the motor to reach full speed before cutting.
- Make sure all locking knobs and clamp handles are tight.
- Secure the workpiece.
- Although this saw will cut wood and many nonferrous materials, these operating instructions refer to the cutting of wood only. The same guidelines apply to the other materials. Do not cut ferrous (iron and steel) materials, fibre cement or masonry with this saw!

- Make sure to use the kerf plate. Do not operate the machine if the kerf slot is wider than 12 mm.
- Connect saw to an external dust extractor.

OPERATION

Instructions for Use



-  **WARNING:** Always observe the safety instructions and applicable regulations.
-  **WARNING:** To reduce the risk of serious personal injury, turn tool off and disconnect battery pack before making any adjustments or removing/installing attachments or accessories. An accidental start-up can cause injury.

Refer to **Saw Blades** under **Optional Accessories** to select the blade that best fits your needs.

Ensure the machine is placed to satisfy your ergonomic conditions in terms of table height and stability. The machine site shall be chosen so that the operator has a good overview and enough free surrounding space around the machine that allows handling of the workpiece without any restrictions.

To reduce effects of vibration make sure the environment temperature is not too cold, the machine and accessories are well maintained and the workpiece size is suitable for this machine.

Proper Body and Hand Position (Fig. 01, 02)

-  **WARNING:** To reduce the risk of serious personal injury, ALWAYS use proper hand position as shown in Figure 01.
-  **WARNING:** To reduce the risk of serious personal injury, ALWAYS hold securely in anticipation of a sudden reaction.
- Never place hands near cutting area. Place hands no closer than 100 mm from the blade.
- Hold the workpiece tightly to the table and the fence when cutting. Keep hands in position until the trigger has been released and the blade has completely stopped.
- ALWAYS MAKE DRY RUNS (UNPOWERED) BEFORE FINISH CUTS SO THAT YOU CAN CHECK THE PATH OF THE BLADE. DO NOT CROSS HANDS, AS SHOWN IN FIGURE 02.
- Keep both feet firmly on the floor and maintain proper balance. As you move the mitre arm left and right, follow it and stand slightly to the side of the saw blade.
- Sight through the guard louvers when following a pencil line.



Trigger Switch (Fig. A2)


To turn the saw on, push the lock-off lever **25** to the left, then depress the trigger switch **24**. The saw will run while the switch is depressed. Allow the blade to spin up to full operating speed before making the cut. To turn the saw off, release the switch. Allow the blade to stop before raising the saw head. There is no provision for locking the switch on. A hole **26** is provided in the trigger for insertion of a padlock to lock the switch off.

Your saw is equipped with an automatic electric blade brake, but the saw blade should stop within 4 seconds of trigger release.

Always be sure the blade has stopped before removing it from the kerf.

Dust Extraction (Fig. A2, D, AA)

-  **WARNING:** To reduce the risk of serious personal injury, turn tool off and disconnect battery pack before making any adjustments or removing/installing attachments or accessories. An accidental start-up can cause injury.
-  **WARNING:** Certain dust, such as oak or beech dust, is considered carcinogenic, especially in connection with wood-treatment additives.
 - Always use dust extraction.
 - Provide for good ventilation of the work space.
 - It is recommended to wear an appropriate respirator.

 **CAUTION:** Never operate this saw unless the dust bag or DEWALT dust extractor is in place. Wood dust may create a breathing hazard.

 **CAUTION:** Check and clean the dust bag each time after using.

 **WARNING:** When sawing aluminium, remove the dust bag, or disconnect the dust extractor to avoid the risk of fire.

Your mitre saw has a built-in dust port **36** that allows connection to either the dust bag **40**, 33 mm nozzles or direct attachment to the DEWALT AirLock (DWW9000-XJ).

Observe the relevant regulations in your country for the materials to be worked.

To Attach the Dust Bag (Fig. D)

1. Fit the dust bag **40** to the dust port **36** as shown in Figure D.

To Empty the Dust Bag (Fig. D)

1. Remove dust bag **40** from the saw and gently shake or tap the dust bag to empty.
2. Reattach the dust bag back onto the dust port **36**.

You may notice that all the dust will not come free from the bag. This will not affect cutting performance but will reduce the saw's dust collection efficiency. To restore your saw's dust collection efficiency, depress the spring inside the dust bag when you are emptying it and tap it on the side of the trash can or dust receptacle.

External Dust Extraction (Fig. AA)

When vacuuming dry dust that is especially detrimental to health or carcinogenic, use a special dust Class M vacuum cleaner.

Connecting to an AirLock Compatible Dust Extractor (Fig. AA)

The dust port **36** on your mitre saw is compatible with the DEWALT AirLock connection system. The AirLock allows for a fast, secure connection between the dust extractor hose **67** and the mitre saw.

1. Ensure the collar on the AirLock connector **65** is in the unlock position. Align notches **66** on collar and AirLock connector as shown for unlock and lock positions.
2. Push the AirLock connector onto the dust port **36**.
3. Rotate the collar to the locked position.

NOTE: The ball bearings inside collar lock into slot and secure the connection. The mitre saw is now securely connected to the dust extractor.

Use of XPS™ LED Worklight System (Fig. A1, A2)

NOTE: The mitre saw must have the battery pack inserted.

The XPS™ LED Worklight System is equipped with a temporary on switch **27** and can be activated manually. The XPS™ LED Worklight System also turns on when the trigger is activated and the blade is running.

To cut through an existing pencil line on a piece of wood:

1. Turn on the XPS™ system, then pull down on the operating handle **2** to bring the saw blade close to the wood. The shadow of the blade will appear on the wood.
2. Align the pencil line with the edge of the blade's shadow. You may have to adjust the mitre or bevel angles in order to match the pencil line exactly.

Through-Cutting Operations (Fig. A1, A2, P, Q)

If the slide feature is not used, ensure the saw head is pushed back as far as possible and the rail lock knob **6** is tightened. This will prevent the saw from sliding along its rails as the workpiece is engaged.

Cutting of multiple pieces is not recommended but can be done safely by ensuring that each piece is held firmly against the table and fence.

Straight Vertical Crosscut

1. Set and lock the mitre arm at zero, and hold the wood firmly on the table **17** and against the fence **13**.

2. With the rail lock knob **6** tightened, turn on the saw by pushing the lock-off lever **25** and squeezing the trigger switch **24**.
3. When the saw comes up to speed, lower the arm smoothly and slowly to cut through the wood. Let the blade come to a full stop before raising arm.

Sliding Crosscut (Fig. A1, P)

When cutting anything larger than a 51 x 115 mm (51 x 82 mm at 45° mitre) workpiece, use an out-down-back motion with the rail lock knob **6** loosened.

Pull the saw out toward you, lower the saw head down toward the workpiece, and slowly push the saw back to complete the cut.

Do not allow the saw to contact the top of the workpiece while pulling out. The saw may run toward you, possibly causing personal injury or damage to the workpiece.

Mitre Crosscut (Fig. Q)

The mitre angle is often 45° for making corners, but can be set anywhere from zero to 50° left or 60° right. Proceed as for a straight vertical crosscut. When performing a mitre cut on workpieces wider than 51 x 105 mm that are shorter in length, always place the longer side against the fence.

Bevel Cut (Fig. A1, A2)

Bevel angles can be set from 49° right to 49° left and can be cut with the mitre arm set between 50° left or 60° right. Refer to the **Features and Controls** section for detailed instructions on the bevel system.

1. Loosen the bevel lock knob **33**, and move the saw to the left or right as desired. It is necessary to move the fence **13** to allow clearance. Tighten the fence adjustment knob **12** after positioning the fences.
2. Tighten the bevel lock firmly.

At some extreme angles, the right side fence might have to be removed. Refer to **Fence Adjustment** in the **Adjustments** section for important information on adjusting the fences for certain bevel cuts.

To remove the right fence, unscrew the fence adjustment knob **12** several turns and slide the fence out. The right fence is secured to the base with a lanyard to prevent it from being lost.

Quality of Cut

The smoothness of any cut depends on a number of variables, such as the material being cut, blade type, blade sharpness and rate of cut.

When smoothest cuts are desired for molding and other precision work, a sharp (60 tooth carbide) blade and a slower, even cutting rate will produce the desired results.



WARNING: Ensure that the material does not move or creep while cutting; clamp it securely in place. Always let the blade come to a full stop before raising arm. If small fibres of wood still split out at the rear of the workpiece, stick a piece of masking tape on the wood where the cut will be made. Saw through the tape and carefully remove tape when finished.

Non-Through-Cutting (Grooving and Rabbeting) (Fig. A2)

Your saw is equipped with a grooving stop **30**, depth adjustment screw **29** and wing nut **28** to allow for groove cutting. Instructions in the **Sliding Crosscuts, Bevel Cuts** and **Cutting Compound Mitres** sections are for cuts made through the full thickness of the material. The saw can also perform non-through cuts to form grooves or rabbets in the material.

Grooving (Fig. A1, A2)

Refer to **Grooving Stop** for detailed instructions for setting depth of cut. A piece of scrap wood should be used to verify the desired depth of cut.

1. Hold the wood firmly on the table and against the fence **13**. Align the cut area underneath the blade. Position the saw arm fully forward, with blade in down position. Turn on the saw by pushing the lock-off lever **25** and squeezing the trigger switch **24**. Smoothly, push saw arm rearward to cut a groove through the workpiece.

2. Release the trigger switch with the saw arm down. When saw blade has completely stopped, raise the saw arm. Always let the blade come to a full stop before raising the arm.
3. To widen the groove, repeat steps 1–2 until the desired width is obtained.

Clamping the Workpiece (Fig. C)



WARNING: A workpiece that is clamped, balanced and secure before a cut may become unbalanced after a cut is completed. An unbalanced load may tip the saw or anything the saw is attached to, such as a table or workbench. When making a cut that may become unbalanced, properly support the workpiece and ensure the saw is firmly bolted to a stable surface. Personal injury may occur.



WARNING: The clamp foot must remain clamped above the base of the saw whenever the clamp is used. Always clamp the workpiece to the base of the saw – not to any other part of the work area. Ensure the clamp foot is not clamped on the edge of the base of the saw.



CAUTION: Always use a work clamp to maintain control and reduce the risk of personal injury and workpiece damage.

Use the material clamp **39** provided with your saw. The left or right fence will slide from side to side to aid in clamping. Other aids such as spring clamps, bar clamps or C-clamps may be appropriate for certain sizes and shapes of material.

To Install Clamp

1. There are four rectangular clamp mounting holes **68** in the base, two in the front and two on the back of the saw under the base fence. Insert the clamp **39** into one of the four holes.
NOTE: When assembling the clamp on the back side of the saw, the arm of the clamp will need to be at the highest position so that clamp post can be slid into the mounting hole as the clamp passes over the fence.
2. Loosen the knob to adjust the clamp up or down, tighten the knob to firmly clamp the workpiece.

NOTE: Place the clamp on the opposite side of the base when beveling. ALWAYS MAKE DRY RUNS (UNPOWERED) BEFORE FINISH CUTS TO CHECK THE PATH OF THE BLADE. ENSURE THE CLAMP DOES NOT INTERFERE WITH THE ACTION OF THE SAW OR GUARDS.

Support for Long Pieces (Fig. E)

ALWAYS SUPPORT LONG PIECES.

For best results, use the DE7023-XJ or DE7033 leg stands **41** to extend the table width of your saw. Support long workpieces using any convenient means such as sawhorses or similar devices to keep the ends from dropping.

Cutting Picture Frames, Shadow Boxes And Other Four-Sided Projects (Fig. R, S)

Try a few simple projects using scrap wood until you develop a “feel” for your saw. Your saw is the perfect tool for mitring corners like the one shown in Figure R.

Sketch 1 in Figure S shows a joint made with the bevel adjustment method. The joint shown can be made using either method.

- Using bevel adjustment:
 - The bevel for the two boards is adjusted to 45° each, producing a 90° corner.
 - The mitre arm is locked in the zero position and the bevel adjustment is locked at 45°.
 - The wood is positioned with the broad flat side against the table and the narrow edge against the fence.
- Using mitre adjustment:
 - The same cut can be made by mitring right and left with the broad surface against the fence.

Cutting Trim Molding and Other Frames (Fig. S)

Sketch 2 in Figure S shows a joint made by setting the mitre arm at 45° to mitre the two boards to form a 90° corner. To make this type of joint, set the bevel adjustment to zero and the mitre arm to 45°. Once again, position the wood with the broad flat side on the table and the narrow edge against the fence.

The two sketches in Figure S are for four-sided objects only. As the number of sides changes, so do the mitre and bevel angles. The chart below gives the proper angles for a variety of shapes, assuming that all sides are of equal length.

NUMBER OF SIDES	MITRE OR BEVEL ANGLE
4	45°
5	36°
6	30°
7	25.7°
8	22.5°
9	20°
10	18°

For a shape that is not shown in the chart, use the following formula: 180° divided by the number of sides equals the mitre (if the material is cut vertically) or bevel angle (if the material is cut laying flat).

Cutting Compound Mitres (Fig. T)

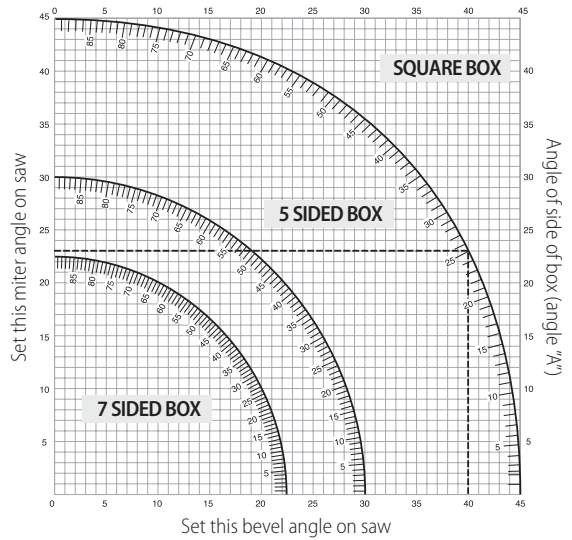
A compound mitre is a cut made using a mitre angle and a bevel angle at the same time. This is the type of cut used to make frames or boxes with slanting sides like the one shown in Figure T.

WARNING: If the cutting angle varies from cut to cut, check that the bevel lock knob and the mitre lock handle are securely locked. These must be locked after making any changes in bevel or mitre.

The chart shown below will assist you in selecting the proper bevel and mitre settings for common compound mitre cuts.

- Select the desired angle A (Fig. T) of your project and locate that angle on the appropriate arc in the chart.
- From that point follow the chart straight down to find the correct bevel angle and straight across to find the correct mitre angle.
- Set your saw to the prescribed angles and make a few trial cuts. Practise fitting the cut pieces together.

Example: To make a 4-sided box with 26° exterior angles (Angle A, Fig. T), use the upper right arc. Find 26° on the arc scale. Follow the horizontal intersecting line to either side to get mitre angle setting on saw (42°). Likewise, follow the vertical intersecting line to the top or bottom to get the bevel angle setting on the saw (18°). Always try cuts on a few scrap pieces of wood to verify the settings on the saw.



Cutting Base Moulding (Fig. K, U)

To complete straight 90° cuts, position the wood against the fence and hold it in place as shown in Figure U. Turn on the saw, allow the blade to reach full speed and lower the arm smoothly through the cut.

Cutting Base Moulding from 70 mm up to 150 mm High Vertically Against the Fence (Fig. K, U)

NOTE: Use the slide lock lever **62**, shown in Figure K, when cutting base moulding measuring from 70 mm to 150 mm high vertically against the fence.

Position material as shown in Figure U.

All cuts should be made with the back of the moulding against the fence and with the bottom of the moulding against the table.

	Inside Corner	Outside Corner
Left side	Mitre left 45° Save left side of cut	Mitre right 45° Save left side of cut
Right side	Mitre right 45° Save right side of cut	Mitre left 45° Save right side of cut

Material up to 150 mm can be cut as described above.

Cutting Crown Moulding (Fig. A1, V1, V2)

Your mitre saw is well suited to the task of cutting crown moulding. In order to fit properly, crown moulding must be compound mitred with extreme accuracy.

Your mitre saw has special pre-set mitre latch points at 22.5°, 31.6° and 35.3° left and right for cutting crown moulding at the proper angle and bevel stop pawls at 22.5° and 30° left and right. There is also a mark on the bevel scale **10** at 33.9°. The chart below gives the proper settings for cutting crown moulding.

NOTE: Pretesting with scrap material is extremely important!

Instructions for Cutting Crown Moulding Laying Flat and Using the Compound Features (Fig. V1)

- Moulding should lay flat with the broad back surface down on the saw table **17**.
- Place the top of the moulding against the fence **13**.
- The settings below are for 45° sprung crown moulding.

	Inside Corner	Outside Corner
Left side	Bevel left 30° Mitre table set at right 35.26° Save left end of cut	Bevel right 30° Mitre table set at left 35.26° Save left end of cut
Right side	Bevel right 30° Mitre table set at left 35.26° Save right end of cut	Bevel left 30° Mitre table set at right 35.26° Save right end of cut

- The settings below are for crown moulding with 52° angles at the top and 38° angles at the bottom.

	Inside Corner	Outside Corner
Left side	Bevel left 33.9° Mitre table set at right 31.62° Save left end of cut	Bevel right 33.9° Mitre table set at left 31.62° Save left end of cut
Right side	Bevel right 33.9° Mitre table set at left 31.62° Save right end of cut	Bevel left 33.9° Mitre table set at right 31.62° Save right end of cut

Alternative Method for Cutting Crown Moulding

Cutting crown moulding using this method does not require a bevel cut. Minute changes in the mitre angle can be made without affecting the bevel angle. When corners other than 90° are encountered, the saw can be quickly and easily adjusted for them.

Instructions for Cutting Crown Moulding Angled Between the Fence and Base of the Saw for All Cuts (Fig. V2)

- Angle the moulding so the bottom of the moulding (the part which goes against the wall when installed) is against the fence **13** and the top of the moulding is resting on the saw table **17**.
- The angled "flats" on the back of the moulding must rest squarely on the fence and saw table.

	Inside Corner	Outside Corner
Left side	Mitre right at 45° Save right side of cut	Mitre left at 45° Save right side of cut
Right side	Mitre left at 45° Save left side of cut	Mitre right at 45° Save left side of cut

Special Cuts

WARNING: Never make any cut unless the material is secured on the table and against the fence.

Aluminum Cutting (Fig. W1, W2)

ALWAYS USE THE APPROPRIATE SAW BLADE MADE ESPECIALLY FOR CUTTING ALUMINUM.

Certain workpieces may require the use of a clamp or fixture to prevent movement during the cut. Position the material so that you will be cutting the thinnest cross section, as shown in Figure W1. Figure W2 illustrates the wrong way to cut these extrusions.

Use a stick wax cutting lubricant when cutting aluminum. Apply the stick wax directly to the saw blade **46** before cutting. Never apply stick wax to a moving blade. The wax provides proper lubrication and keeps chips from adhering to the blade.

Bowed Material (Fig. X1, X2)

When cutting bowed material always position it as shown in Figure X1 and never like that shown in Figure X2. Positioning the material incorrectly will cause it to pinch the blade.

Cutting Plastic Pipe or Other Round Material

Plastic pipe can be easily cut with your saw. It should be cut just like wood and **CLAMPED OR HELD FIRMLY TO THE FENCE TO KEEP IT FROM ROLLING**. This is extremely important when making angle cuts.

Cutting Large Material (Fig. Y)

Occasionally you will encounter a piece of wood a little too large to fit beneath the lower guard. If this occurs, place your right thumb on the upper side of the guard **11** and roll the guard up just enough to clear the workpiece, as shown in Figure Y. Avoid doing this as much as possible, but if need be, the saw will operate properly and make the bigger cut. NEVER TIE, TAPE, OR OTHERWISE HOLD THE GUARD OPEN WHEN OPERATING THIS SAW.

MAINTENANCE

Your power tool has been designed to operate over a long period of time with a minimum of maintenance. Continuous satisfactory operation depends upon proper tool care and regular cleaning.



WARNING: To reduce the risk of serious personal injury, turn tool off and disconnect battery pack before making any adjustments or removing/installing attachments or accessories.

An accidental start-up can cause injury.

The charger and battery pack are not serviceable.



Lubrication

Your power tool requires no additional lubrication.



Cleaning



WARNING: Blow dirt and dust out of the main housing with dry air as often as dirt is seen collecting in and around the air vents. Wear approved eye protection and approved dust mask when performing this procedure.



WARNING: Never use solvents or other harsh chemicals for cleaning the non-metallic parts of the tool. These chemicals may weaken the materials used in these parts. Use a cloth dampened only with water and mild soap. Never let any liquid get inside the tool; never immerse any part of the tool into a liquid.

Before use, carefully check the upper guard, lower guard and dust duct to determine that they will operate properly. Ensure that chips, dust or workpiece particles do not block one of the functions.

In case of workpiece fragments jammed between the saw blade and guards, remove the battery pack from the machine and follow the instructions given in **Changing or Installing a New Saw Blade**. Remove the jammed parts and reassemble the saw blade.

Periodically clean all dust and wood chips from around AND UNDER the base and the rotary table.

Worklight Cleaning

- Carefully clean sawdust and debris from worklight lens with a cotton swab. Dust build-up can block the worklight and prevent it from accurately indicating the line of cut.
- DO NOT use solvents of any kind; they may damage the lens.
- With blade removed from saw, clean pitch and build-up from blade.

Dust Duct Cleaning

With the saw unplugged and the saw head raised fully, low pressure air or a large diameter dowel rod can be used to clear the dust out of the dust duct.

Optional Accessories



WARNING: Since accessories, other than those offered by DEWALT, have not been tested with this product, use of such accessories with this tool could be hazardous. To reduce the risk of injury, only DEWALT recommended accessories should be used with this product.

Consult your dealer for further information on the appropriate accessories.

Clamp: DW7090-XJ (Fig. C)

The clamp **39** is used for firmly clamping workpiece to the saw table.

Quick Release Clamps: DWS5026-XJ

Dust Bag: DW7053-QZ (Fig. D)

Equipped with a zipper for easy emptying, the dust bag **40** will capture the majority of the sawdust produced.

Leg Stands: DE7023-XJ, DE7033-XJ (Fig. E)

The leg stand **41** is used to extend the table width of the saw.

Clamp Brackets: DE7025-XJ (Fig. F)

The clamp brackets **42** are used for mounting the saw to a stand.

SAW BLADES: ALWAYS USE 250 mm SAW BLADES WITH 30 mm ARBOUR HOLES. SPEED RATING MUST BE AT LEAST 4300 RPM. Never use a smaller diameter blade. It will not be guarded properly. Use crosscut blades only! Do not use blades designed for ripping, combination blades or blades with hook angles in excess of 5°.

BLADE DESCRIPTIONS

APPLICATION	DIAMETER	TEETH
Construction Saw Blades (thin kerf with anti-stick rim)		
General Purpose	250 mm	40
Fine Crosscuts	250 mm	60
Woodworking Saw Blades (provide smooth, clean cuts)		
Fine crosscuts	250 mm	80
Non-ferrous metals	250 mm	96

Protecting the Environment



Separate collection. Products and batteries marked with this symbol must not be disposed of with normal household waste. Products and batteries contain materials that can be recovered or recycled reducing the demand for raw materials. Please recycle electrical products and batteries according to local provisions. Further information is available at www.2helpU.com.

Rechargeable Battery Pack

This long life battery pack must be recharged when it fails to produce sufficient power on jobs which were easily done before. At the end of its technical life, discard it with due care for our environment:

- Run the battery pack down completely, then remove it from the tool.
- Li-Ion cells are recyclable. Take them to your dealer or a local recycling station. The collected battery packs will be recycled or disposed of properly.

After Service and Repair

DEWALT service centers are staffed with trained personnel to provide customers with efficient and reliable product service. We do not take any responsibility when you have repaired in unauthorized service center. You can refer to the leaflet of CONTACT CENTER LOCATOR in product package and contact us through hotline, website or social media to find the nearest DEWALT service center around you.

마이터 쏘

DCS727

축하합니다!

DeWALT 공구를 선택해 주셔서 감사합니다. 제품 개발과 혁신을 통한 다년간의 경험은 DeWALT를 전문 전동 공구 사용자들이 가장 믿을 수 있는 제품으로 만들어 왔습니다.

기술 데이터

		DCS727
전압	V _{DC}	54(최대 60)
배터리 유형		리튬 이온
톱날 직경	mm	254
톱날 구멍	mm	25.4
톱날 본체 두께	mm	1.75
최대 절단 두께	mm	3.0
최대 톱날 속도	분 ⁻¹	4300
최대 크로스컷 각도 90°	mm	305
최대 마이터 각도 45°	mm	215
최대 절단 깊이 90°	mm	90
최대 베벨 크로스컷 깊이 45°	mm	50
마이터(최대 위치)	좌측	50°
	우측	60°
베벨(최대 위치)	좌측	49°
	우측	49°
0° 마이터		
베이스보드 최대 높이 150 mm	mm	28
최대 높이 90mm에서의 결과 너비	mm	290
최대 너비 305mm에서의 결과 높이	mm	77
45° 마이터 좌측		
최대 높이 90mm에서의 결과 너비	mm	200
최대 너비 210mm에서의 결과 높이	mm	77
45° 마이터 우측		
최대 높이 90mm에서의 결과 너비	mm	200
최대 너비 210mm에서의 결과 높이	mm	77
45° 베벨 좌측		
최대 높이 60mm에서의 결과 너비	mm	290
최대 너비 305mm에서의 결과 높이	mm	50
45° 베벨 우측		
최대 높이 28mm에서의 결과 너비	mm	290
최대 너비 305mm에서의 결과 높이	mm	20
자동 톱날 제동 시간	s	< 4
무게(배터리 팩 제외)	kg	20.5

배터리				충전기/충전 시간(분)							
카탈로그 번호	V _{DC}	Ah	무게 (kg)	DCB104	DCB107	DCB112	DCB113	DCB115	DCB118	DCB132	DCB119
DCB546	18/54 (최대 20/60)	6.0/2.0	1.05	60	270	170	140	90	60	90	X
DCB547	18/54 (최대 20/60)	9.0/3.0	1.46	75*	420	270	220	135*	75*	135*	X
DCB548	18/54 (최대 20/60)	12.0/4.0	1.44	120	540	350	300	180	120	180	X
DCB181	18 (최대 20)	1.5	0.35	22	70	45	35	22	22	22	45
DCB182	18 (최대 20)	4.0	0.61	60/40**	185	120	100	60	60/40**	60	120
DCB183/B	18(최대 20)	2.0	0.40	30	90	60	50	30	30	30	60
DCB184/B	18(최대 20)	5.0	0.62	75/50**	240	150	120	75	75/50**	75	150
DCB185	18(최대 20)	1.3	0.35	22	60	40	30	22	22	22	X
DCB187	18(최대 20)	3.0	0.54	45	140	90	70	45	45	45	90
DCB189	18(최대 20)	4.0	0.54	60	185	120	100	60	60	60	120



경고: 부상 위험을 줄이려면 사용 설명서를 숙지하십시오.

정의: 안전 지침

다음 정의는 각 경고 문구의 심각도를 설명합니다. 사용 설명서를 읽고 다음 기호들에 유의하십시오.



위험: 절박한 위험 상태를 나타내며, 방지하지 않으면 **사망 또는 심각한 부상을 초래합니다.**



경고: 잠재적 위험 상태를 나타내며, 방지하지 않으면 **사망 또는 심각한 부상을 초래할 수 있습니다.**



주의: 잠재적으로 위험한 상태를 나타내며, 방지하지 않으면 **경미하거나 가벼운 부상을 초래할 수 있습니다.**

참고: 신체 부상을 초래하지 않는 행위를 나타내며 방지하지 않으면 재산상의 손해가 발생할 수 있습니다.



감전 위험을 나타냅니다.



화재 위험을 나타냅니다.

전동 공구에 관한 일반 안전 경고



경고: 이 전동 공구와 함께 제공되는 모든 안전 경고와 지시사항, 설명 및 사양을 읽으십시오. 아래 설명한 모든 지시 사항을 따르지 않으면 감전, 화재 및/또는 심각한 부상을 초래할 수 있습니다.

항후 참고할 수 있도록 모든 경고 및 지시 사항을 보관해두십시오.

경고에서 사용된 "전동 공구"라는 용어는 주 공급 전원에 의해 전기가 공급되는(유선) 전동 공구 또는 충전식(무선) 전동 공구를 의미합니다.

1) 작업장 안전

- 작업장을 항상 청결하고 밝게 유지하십시오. 혼잡하거나 어두운 작업장에서는 사고가 발생하기 쉽습니다.
- 가연성 액체, 가스 또는 먼지 등이 있는 폭발성 대기에서 전동 공구를 사용하지 마십시오. 전동 공구에서 먼지나 가스를 발사시킬 수 있는 불꽃이 될 수 있습니다.
- 전동 공구로 작업하는 동안에는 어린이와 주변 사람들이 작업 영역에 가까이 들어오지 못하도록 하십시오. 주변이 산만해져 통제력을 잃을 수 있습니다.

2) 전기 안전

- 전동공구의 플러그는 콘센트와 형식이 일치해야 하며, 플러그를 어떤 형태로든 개조하지 마십시오. 또한 접지된 전동공구에 다른 어댑터 플러그를 사용하지 마십시오. 개조되지 않은 플러그 및 형식이 일치하는 콘센트를 사용하면 감전 위험이 높아집니다.
- 파이프 관, 라디에이터, 렌치, 냉장고 등의 접지 표면에 물이 닿지 않도록 하십시오. 몸에 닿을 경우 감전이 될 위험이 높아집니다.
- 전동 공구를 비 또는 습한 환경에 노출하지 않도록 주의하십시오. 전동 공구에 물이 들어가면 감전 위험이 높아집니다.
- 코드를 합부로 다루지 마십시오. 코드를 사용하여 전동공구를 운반하거나, 코드를 과도하게 잡아당겨서 플러그를 뽑지 않도록 주의 하십시오. 전열코드가 열기 또는 오일과 접촉되는 것을 피하고, 날카로운 모서리 또는 기기의 기둥 부위에 닿지 않도록 주의 하십시오. 코드가 손상되거나 얽혀 있으면 감전 위험이 높아집니다.
- 전동 공구를 실외에서 사용할 때는 실외 사용에 적합한 연장 코드를 사용하십시오. 실외 사용에 적합한 코드를 사용하면 감전 위험이 줄어듭니다.
- 전동공구를 습한 공간에서 사용할 경우, 반드시 누전 차단기(RCD)를 사용하십시오. RCD를 사용하면 감전 위험이 줄어듭니다.

3) 신체 안전 사항

- 전동 공구로 작업할 때는 방심하지 말고 작업에 주의하면서 상식에 따르십시오. 피곤한 상태이거나 약물, 술, 치료제를 복용한 상태에서는 전동 공구를 사용하지 마십시오. 전동 공구를 사용하다 잠깐만 한 눈을 팔아도 심각한 부상을 당할 수 있습니다.

- 신체 보호 장비를 착용하십시오. 항상 보안경을 착용하십시오. 적합한 상황에서 방진 마스크, 미끄럼 방지 안전화, 안전모 또는 청력 보호 기구 등의 보호 장비를 사용하면 신체 부상 위험이 줄어듭니다.
- 의도하지 않은 장비 가동 방지. 전원 및/또는 배터리 팩에 연결한 상태로 공구를 선택 또는 운반할 때는 사전에 스위치가 꺼짐 위치에 있는지 반드시 확인하십시오. 스위치가 켜짐 위치에 있는 상태에서 스위치에 손가락이 닿을 상태로 전동 공구를 운반하거나 전동 공구에 전원을 공급하면 사고가 발생할 수 있습니다.
- 전동 공구를 켜기 전에 모든 조정 키 또는 렌치를 제거하십시오. 전동 공구의 회전 부품에 렌치나 키가 부착되어 있으면 부상을 당할 수 있습니다.
- 무리하게 팔을 뻗지 마십시오. 항상 올바른 자세로 서서 균형을 유지하십시오. 안정된 자세로 작업을 할 경우 전동 공구를 안전하게 사용할 수 있습니다.
- 적절한 의복을 착용하십시오. 헐렁한 옷이나 장신구를 착용하지 마십시오. 머리카락과 옷이 움직이는 부품에 닿지 않도록 유의하십시오. 헐렁한 옷, 장신구 또는 긴 머리가 움직이는 부품에 걸 수 있습니다.
- 먼지 배출 및 집진 시설 연결을 위한 장치 가 제공된 경우, 이들 장치가 연결되어 적절히 사용되고 있는지 반드시 확인하십시오. 집진 장치를 사용하면 먼지와 관련된 위험을 줄일 수 있습니다.
- 장치를 자주 사용함으로써 생긴 익숙함으로 인해 현실에 안주하거나 공구 안전 원칙을 무시하지 않도록 하십시오. 부주의한 작동은 순식간에 심각한 부상을 야기할 수 있습니다.

4) 전동 공구 사용 및 관리

- 전동 공구에 무리한 힘을 가하지 마십시오. 해당 용도에 맞는 올바른 전동 공구를 사용하십시오. 올바른 전동 공구를 사용해야 설계된 속도로 작업을 더욱 안전하고 정확하게 수행할 수 있습니다.
- 켜지지 않거나 꺼지지 않는 경우 전동 공구를 사용하지 마십시오. 스위치로 제어되지 않는 전동 공구는 위험하므로 수리해야 합니다.
- 전동 공구를 조정하거나 액세서리를 변경하거나 보관하기 전에 전동 공구에서 분리되는 경우 전원에서 플러그를 뽑거나 또는 배터리 팩을 분리하십시오. 이러한 예방적 안전 조치를 따라야 전동 공구가 갑자기 작동할 위험이 줄어듭니다.
- 사용하지 않는 전동 공구는 어린이의 손이 닿지 않는 곳에 보관하고, 전동 공구나 본 지시 사항에 익숙하지 않은 사람이 전동 공구를 절대 사용하지 못하게 하십시오. 전동 공구는 훈련을 받지 않은 사용자가 다루면 위험합니다.
- 전동 공구 및 액세서리 유지 보수. 움직이는 부품의 잘못된 정렬이나 비인당, 부품 파손 및 기타 전동 공구의 작동에 영향을 미칠 수 있는 기타 모든 상태를 확인하십시오. 손상된 부분이 있는 경우 사용하기 전에 전동 공구를 수리하십시오. 많은 사고는 전동 공구를 제대로 유지 보수하지 않아 발생합니다.
- 공구를 깨끗한 상태로 유지하십시오. 질삭 가장자리를 예리하게 잘 유지하면 질삭기를 사용할 때 비인당이 적고 다루기가 용이합니다.
- 작업 환경과 수행할 작업을 고려하여, 본 지시 사항에 따라 전동 공구, 액세서리 및 볼 비트 등을 사용하십시오. 본 사용 설명서의 내용과 다른 용도로 전동 공구를 사용하면 위험한 상황이 발생할 수 있습니다.
- 핸들과 잡는 표면은 건조하고 깨끗한 상태를 유지하고 오일/기름이 묻지 않도록 하십시오. 미끄러운 핸들과 잡는 면은 예기치 못한 상황에서 안전한 취급과 공구 관리를 보장하지 않습니다.

5) 배터리 공구 사용 및 주의 사항

- 다시 충전할 때는 제조업체에서 지정한 충전기만 사용하십시오. 하나의 배터리 팩 유형에 적합한 충전기를 다른 배터리 팩과 함께 사용할 경우 화재의 위험이 있습니다.
- 전동 공구를 사용할 때는 구체적으로 지정되어 있는 배터리 팩만 사용하십시오. 다른 배터리 팩을 사용하면 부상을 입거나 화재의 위험이 있습니다.
- 배터리 팩을 사용하지 않을 때에는 클립, 동전, 키, 못, 나사 등의 금속 물체나, 단자 간에 연결할 수 있는 작은 금속 물체가 닿지 않도록 멀리 두십시오. 배터리 단자가 단락되면 화상을 입거나 화재의 위험이 있습니다.
- 배터리를 과다 사용하면 액체가 배터리에서 흘러 나올 수 있으므로, 접촉을 피하십시오. 실수로 접촉한 경우에는 물로 씻으십시오. 액체가 눈에 들어간 경우 치료를 받으십시오. 배터리에서 나온 액체는 통증을 유발하거나 화상을 입힐 수 있습니다.

- e) 손상되거나 변경된 배터리 팩 또는 공구를 사용하지 마십시오. 손상되거나 개조된 배터리는 예측할 수 없는 작용을 보여, 화재, 폭발 또는 부상 위험을 야기할 수 있습니다.
- f) 배터리 팩 또는 공구를 불이나 과도한 온도에 노출하지 마십시오. 불 또는 130 °C 이상의 온도에 노출되면 폭발할 수 있습니다.
- g) 모든 충전 지침을 따르고 배터리 팩 또는 공구를 설명서에 지정된 범위 밖의 온도에서 충전하지 마십시오. 적절하지 않게 충전하거나 지정된 범위 밖의 온도에서 충전하면 배터리가 손상되어 화재 위험이 증가될 수 있습니다.

6) 정비

- a) 자격을 갖춘 기술자가 동일 교체 부품을 사용하여 정비 작업을 수행해야 합니다. 그라아 전동 공구의 안전이 보장됩니다.
- b) 손상된 배터리 팩을 정비하지 마십시오. 배터리 팩은 제조업체 또는 공인 서비스 공급업체를 통해서만 점검을 받아야 합니다.

마이터 쏘에 대한 안전 지시 사항

- a) 마이터 쏘는 나무 또는 목재 재료를 절단하도록 고안되었으며, 금속 바, 봉, 스테드 등의 철제 재료를 절단하기 위해 연삭 절단 휠과 함께 사용할 수 없습니다. 연마제 먼지는 허부 가드와 같이 움직이는 부품이 걸리도록 만듭니다. 연삭 절단 시 발생하는 스파크는 허부 가드, 절단 인서트 및 기타 플라스틱 부품을 태울 수 있습니다.
- b) 가능한 클램프를 추가하여 작업물을 지지하십시오. 손으로 작업물을 지지하는 경우, 항상 톱날의 어느 쪽에서든 최소한 100 mm 떨어지도록 유지해야 합니다. 확실하게 고정하거나 손으로 잡기에 너무 작은 조각을 절단하는 데 이 톱을 사용하지 마십시오. 손이 톱날에 너무 가까이 놓여 있을 경우, 톱날이 닿아서 부상 당할 위험이 높습니다.
- c) 작업물은 움직이지 않아야 하는데 클램프를 고정하거나 펜스와 테이블에 대해 고정되어야 합니다. 작업물을 날 속으로 공급하거나 어떤 방식으로든 "맨손으로" 절단하지 마십시오. 제어되지 않거나 움직이는 작업물은 고속에서 날아가 부상을 야기할 수 있습니다.
- d) 역지로 작업물에 톱을 밀어 넣지 마십시오. 톱을 몸 쪽으로 당기면서 작업물을 자르지 마십시오. 절단을 하려면, 톱 헤드를 올리고 절단을 하지 않고 작업물 위로 당겨 빼고, 모터를 시동하고, 톱 헤드를 아래로 누른 다음 톱을 작업물 속으로 밀어 넣습니다. 톱을 당기면서 절단하면 톱날이 작업물 위로 올라가도록 야기해 날 어셈블리가 작업자 쪽으로 격렬하게 날아갈 수 있습니다.
- e) 톱날의 앞쪽 또는 뒤쪽 어느 쪽이든 의도한 절단 선 위에서 절대로 손을 교차하지 마십시오. 원소로 톱날의 오른쪽으로 작업물을 잡고 있는 등(또는 그 반대로) "손을 교차시켜" 작업물을 지지하면 매우 위험합니다.
- f) 날이 돌아가고 있는 동안 어떠한 이유에서든 톱날의 어느 쪽으로부터 100 mm 보다 더 가까이에서 손으로 펜스 뒤쪽을 잡지 마십시오. 돌아가는 톱날이 손에 걸린다는 정도는 한눈에 보이지 않을 수 있으므로 심각하게 부상당할 수 있습니다.
- g) 절단 전에 작업물을 검사하십시오. 작업물이 굽었거나 비틀어진 경우, 펜스 쪽을 향해 바깥쪽으로 굽게 침식으로 고정하십시오. 항상 절단선에 따라 작업을, 펜스 및 테이블 사이에 틈이 없는지 확인하십시오. 구부러지거나 흰 작업물은 구부러지거나 이동할 수 있어서 절단 시 회전 톱날에서 바인딩을 야기할 수 있습니다. 작업물에 손톱이나 이물질이 없어야 합니다.
- h) 테이블에 작업물을 제외하고 모든 공구, 나무 조각 등이 없이 깨끗한 상태에서만 톱을 사용하십시오. 회전하는 날과 닿는 목재 또는 기타 물체의 작은 파편 또는 할거온 조각은 고속에서 날아갈 수 있습니다.
- i) 한 번에 한 개의 작업물만 절단하십시오. 잔뜩 쌓인 여러 개의 작업물은 제대로 고정하거나 보강할 수 없으므로 절단 중에 날이 엉기거나 이동될 수 있습니다.
- j) 사용 전에 마이터 쏘가 평평하고 단단한 작업면에 장착되어 놓여 있는지 확인하십시오. 평평하고 단단한 작업면은 마이터 쏘가 불안정해질 위험을 줄여줍니다.
- k) 작업 계획을 세우십시오. 베벨 또는 마이터 각도 설정을 변경할 때마다, 작업물을 지지할 수 있는 펜스를 적절하게 설정하고 톱날 또는 안전을 위한 기능들의 작동을 방해하지 않는지 확인하십시오. 공구를 "켜지" 않고 테이블 위에 작업물이 없는 상태에서, 톱날을 전체 가상 절단을 통과하는 것처럼 이동해서 펜스 절단 시 방해되는 것이나 위험이 없는지 확인합니다.

- l) 테이블 상단보다 더 넓거나 더 긴 작업물의 경우 테이블을 연장대, 톱질용 작업대 등으로 적절한 지지를 하십시오. 마이터 쏘보다 더 길거나 더 넓은 작업물은 단단히 지지되지 않으면 기울어질 수 있습니다. 절단 조각 또는 작업물이 기울어질 경우, 하드 가드를 들어올리거나 돌아가는 날에 의해 날아갈 수 있습니다.
- m) 테이블 확장대 또는 추가 지지대의 대체물로 다른 사람을 사용하지 마십시오. 작업물이 불안정하게 지지되면 날이 바인딩되거나 작업물이 절단 작업 동안 이동되어 작업자와 도와주는 사람을 돌아가는 날 속으로 끌어 넣을 수 있습니다.
- n) 절단 조각은 어떻게 해서든 돌아가는 톱날에 걸리거나 놀려서는 안됩니다. 깊이 멈춤을 사용하는 등 제한되어 있는 경우, 절단 조각이 톱날에 끼어서 격렬하게 날아갈 수 있습니다.
- o) 항상 불이나 관 등 뜨거운 재료를 적절히 지지하도록 설계된 침식나 고정장치를 사용하십시오. 봉은 절단되는 동안 돌아가는 경향이 있어서 날이 "파고들게" 하고 손으로 잡은 작업물이 날 속으로 당겨질 수 있습니다.
- p) 톱날이 작업물에 닿기 전에 최대 속도에 도달하도록 하십시오. 이는 작업물이 날아갈 위험을 줄여줍니다.
- q) 작업물이나 날이 걸릴 경우, 마이터 쏘를 끄십시오. 모든 움직이는 부품이 정지할 때까지 기다렸다가 전원 장치에서 플러그를 뽑거나 배터리 팩을 분리하십시오. 그런 다음 걸린 재료를 빼는 작업을 하십시오. 걸린 작업물에 계속해서 톱질을 하면 제어력을 잃거나 마이터 쏘가 손상될 수 있습니다.
- r) 절단을 마친 후에는, 스위치에서 손을 떼고, 톱 헤드를 아래로 잡고 절단 조각 제거하기 전에 톱날이 멈출 때까지 기다리십시오. 타성으로 움직이는 날 가까이에서 손을 놓으면 위험합니다.
- s) 불완전한 절단을 하거나 톱 헤드가 완전히 아래 위치에 있기 전에 스위치를 놓을 때는 핸들을 꼭 잡으십시오. 톱의 제동 조치는 톱 헤드가 급작스럽게 아래쪽으로 당겨질 수 있도록 하여 부상 위험이 있습니다.

마이터 쏘에 대한 추가 안전 규칙



경고: 전체 설명서를 숙지할 때까지 장치에 주 전원 장치를 연결하지 마십시오.

- 설명서에 따라 기계가 완전하게 조립되고 설치될 때까지 기계를 작동하지 마십시오. 부정확하게 조립된 기계는 심각한 부상을 초래할 수 있습니다.
- 이 기계 작동법을 완전히 숙지하지 못한 경우 감독관, 강사 또는 다른 유자격자로부터 조언을 구하십시오. 알고 있는 것이 안전을 지키는 길입니다.
- 톱날이 정확한 방향으로 돌아가는지 확인하십시오. 톱니는 톱에 표시된 회전 방향을 가리켜야 합니다.
- 작동 전에 모든 클램프 핸들, 노브 및 레버를 조입니다. 클램프가 헐거우면 부품이나 작업물이 고속에서 날아갈 수 있습니다.
- 톱 헤드가 완전히 아래로 떨어진 위치에서 제어되지 않은 해제를 피하십시오. 그렇지 않으면 기계가 넘어질 위험이 있습니다.
- 모든 톱날과 톱날 클램프는 깨끗하고, 톱날 클램프의 들어간 쪽이 톱날에 맞아야 하고 주축 나사가 단단히 조여져 있는지 확인하십시오. 풀리거나 잘못된 톱날 클램핑은 톱 손상 및 부상을 초래할 수 있습니다.
- 톱에 지정된 전압 이외의 어떤 것에서 작동하지 마십시오. 과열, 공구 손상 및 부상이 발생할 수 있습니다.
- 모터 축을 고정하는 렌에 어떤 것도 끼워 넣지 마십시오. 공구 손상 및 부상이 발생할 수 있습니다.
- 석재 또는 금속을 절대 절단하지 마십시오. 이것들 중 하나는 카바이드 팁이 고속에서 톱날을 날아가게 하여 심각한 부상을 초래할 수 있습니다.
- 절대 신체의 일부가 톱날의 경로와 일치하지 않도록 하십시오. 부상이 발생할 수 있습니다.
- 돌아가는 날에 톱날 윤활유를 바르지 마십시오. 윤활유를 바르면 손이 톱날 속으로 들어갈 수 있어서 심각한 부상을 입을 수 있습니다.
- 톱이 전원 장치에 연결되어 있을 때는 톱날 부근에 손을 두지 마십시오. 부주의한 날 작동은 심각한 부상을 초래할 수 있습니다.
- 톱날 주변 또는 뒤쪽에 손을 대지 마십시오. 날로 인해 심각한 부상을 입을 수 있습니다.
- 톱을 끄지 않고 플러그를 뽑지 않은 경우 톱 아래에 들어가지 마십시오. 톱날에 닿아 심각한 부상을 입을 수 있습니다.
- 안정된 지지면에 기계를 고정하십시오. 진동이 발생하면 기계가 미끄러지거나, 이동하거나 뒤집어져서 심각한 부상을 초래할 수 있습니다.

- 마이터 쓰임으로 권장하는 **크로스컷 톨날만 사용하십시오**. 최상의 결과를 위해, 7도를 넘는 후크 각도로 되어 있는 카바이드 팁 날을 사용하지 마십시오. 깊은 걸림이 있는 날을 사용하지 마십시오. 이러한 날은 방향을 바꾸어 가드에 닿을 수 있으므로 기계 손상 및/또는 심각한 부상을 야기할 수 있습니다.
- 기계 손상 및/또는 심각한 부상을 방지하려면 이 공구에 지정된 **정확한 크기 및 유형의 날만 사용하십시오**(EN847-1 준수).
- 작동 전에 날에 **균열이나 기타 손상이 없는지 검사하십시오**. 금이 가거나 손상된 날은 부서질 수 있고 고속에서 조각이 날아가 심각한 부상을 입을 수 있습니다. 금이 가거나 손상된 톨날은 즉시 교체하십시오. 톨날의 최대 속도 지점을 준수하십시오.
- **톨날의 최대 속도는** 항상 공구의 명판에 지정되어 있는 속도 이상이거나 최소한 같아야 합니다.
- **톨날 직경은** 공구 명판의 표시를 따라야 합니다.
- 작동 전에 **날과 날 클램프를 청소하십시오**. 톨날과 톨날 클램프를 청소하면 톨날이나 톨날 클램프에 대한 손상을 점검할 수 있습니다. 금이 가거나 손상된 날 또는 날 클램프는 부서질 수 있고 고속에서 조각이 날아가 심각한 부상을 입을 수 있습니다.
- **휘어진 날을 사용하지 마십시오**. 톨날이 정확하게 돌아가고 흔들림이 없는지 확인해 보십시오. 톨날이 진동하면 기계 손상 및/또는 심각한 부상을 초래할 수 있습니다.
- 플라스틱 가드 부근에서 **윤활유 또는 클리너(특히 스프레이 또는 연무제)**를 사용하지 **마십시오**. 가드에 사용된 폴리카보네이트 물질은 특정 화학물질에 의해 손상될 수 있습니다.
- **가드를 제자리에 놓고** 작업 순서를 지켜십시오.
- **항상 절단판을 사용하고 손상되었으면 이 절단판을 교체하십시오**. 톨 밑에 작은 파편 축적물은 톨날에 방해가 되거나 절단 시 작업물을 불안정하게 만들 수 있습니다.
- 기계 손상 및/또는 심각한 부상을 방지하려면 이 **공구에 지정된 톨날 클램프만 사용하십시오**.
- **반드시 절단할 재료에 맞는** 정확한 톨날을 선택하십시오.
- 부스러기와 톨날이 없도록 **모터 에어 슬롯을 청소하십시오**. 모터 에어 슬롯이 막히면 기계가 과열되어, 기계가 손상되고 심각한 부상을 야기할 수 있는 단락을 초래할 수 있습니다.
- **절대로 스위치가 "켜짐" 위치에 있는 상태에서 잠그지 마십시오**. 심각한 부상을 당할 수 있습니다.
- **공구 위에 절대로 서 있지 마십시오**. 공구가 젓혀지거나 절삭 공구가 고의 아니게 접촉될 경우 심각한 부상을 입을 수 있습니다.

경고: 플라스틱, 수액 코팅 목재 및 기타 재료를 절단하면 녹은 재료가 날 톨과 톨날 몸체에 축적되어, 절단 시 날이 과열되고 바이딩 될 위험이 증가합니다.

경고: 항상 적절한 **청력 보호 장구를 착용하십시오**. 특정 상황 하에서 제품 사용 기간과 제품에서 발생하는 소음은 청력 손상에 영향을 줄 수 있습니다. 소음 노출에 영향을 주는 다음과 같은 요소를 알고 계십시오.

- 발생하는 소음을 줄이도록 고안된 톨날을 사용할 것.
- 충분히 날카로운 톨날만 사용할 것, 그리고
- 특수하게 설계된 소음 감소 톨날을 사용하십시오.

경고: 항상 보안경을 착용하십시오. 일상적으로 쓰는 안경은 보호 안경이 아닙니다. 또한 절단 작업 시 먼지가 생길 경우에는 안전 마스크나 방진 마스크를 착용하십시오.

경고: 본 공구의 사용으로 인하여 발생하거나 비산하는 먼지는 심각한 영구 호흡기 손상 또는 기타 손상을 초래할 수 있습니다.

경고: 전동 샌딩, 절삭, 연마, 드릴 및 기타 건설 작업에 의해 발생하는 일부 분진에는 암, 선천적 결손증 또는 다른 생식기 손상을 초래하는 것으로 알려진 화학물질이 함유되어 있습니다. 이러한 화학물질의 몇 가지 예는 다음과 같습니다.

- 납 성분 페인트에 함유된 납,
- 벽돌과 시멘트 및 기타 석재 제품에 함유된 결정질 실리카
- 화학 처리된 목재에 함유된 비소와 크롬.

이러한 노출에 따른 위험은 해당 류의 작업을 수행하는 빈도에 따라 다릅니다. 이러한 화학물질에 대한 노출을 줄이려면. 환기가 잘 되는 장소에서 작업하고, 미세 입자를 걸러내도록 특수 설계된 방진 마스크 등 승인된 안전 장구를 사용해서 작업해야 합니다.

• **전동 샌딩, 연마, 드릴 및 기타 건설 작업에 의해 발생하는 분진에 장시간 노출되지 않도록 하십시오**. 보호복을 착용하고 노출된 부위를 비눗물로 씻으십시오. 분진이 입이나 눈에 들어가거나 피부에 묻으면 해로운 화학물질이 체내로 쉽게 흡수될 수 있습니다.

경고: 본 공구의 사용으로 인하여 발생하거나 비산하는 먼지는 심각한 영구 호흡기 손상 또는 기타 손상을 초래할 수 있습니다. 항상 미세 입자용으로 승인된 호흡기 보호 장구를 사용하십시오.

기타 발생 가능한 위험

다음 위험들은 톨 사용 시 내재하고 있습니다.

- 돌아가는 부품을 만짐으로 인해 발생하는 부상.

관련된 안전 규정을 준수하고 안전 장치를 사용한다고 해도 특정한 위험은 피할 수 없습니다. 이러한 위험은 다음과 같습니다.

- 청력 손상.
- 돌아가는 톨날의 덮여 있지 않은 부품으로 인한 사고의 위험.
- 톨날 교체 시의 부상 위험.
- 가드를 열 때 손가락이 놀리는 위험.
- 나무, 특히, 오크, 너도밤나무 및 MDF를 톨질할 때 발생하는 먼지를 호흡함으로써 초래되는 건강상의 위험.

다음과 같은 요인은 호흡 문제의 위험을 증가시킵니다.

- 나무를 톨질할 때 연결된 먼지 제거기가 없음.
- 깨끗하지 않은 배기 필터로 인한 불충분한 집진 기능.

본 지침을 잘 보관해 두십시오.

충전기

DeWALT 충전기는 어떠한 조절 작업도 필요 없으며 최대한 작동하기 쉽게 설계되었습니다.

전기 안전

전기 모터는 한 가지 전압에만 맞추어 설계되었습니다. 배터리 팩 전압이 명판에 기재된 전압과 일치하는지 항상 확인하십시오. 또한 충전기의 전압이 주전원의 전압과도 일치하는지 확인하십시오.



DeWALT 충전기는 IEC60335에 따라 이중 절연되어 있습니다. 따라서 접지선이 필요하지 않습니다.

원인 코드가 손상된 경우에는 DeWALT 또는 공인 서비스 센터를 통해서만 교체해야 합니다.

연장 케이블 이용

연장 코드는 가끔씩 사용하지 마십시오. 사용 중인 전원공급기 정격전원에 맞는 승인된 연장 코드를 사용하십시오(**기술 데이터** 참조). 최소 도체 크기는 1 mm², 최대 길이는 30 m입니다.

케이블 릴을 사용할 때는 항상 케이블을 완전히 푸십시오.

모든 배터리 충전기에 대한 중요한 안전 지침

본 지침을 잘 보관해 두십시오. 본 사용 설명서에는 호환이 되는 배터리 충전기에 대한 중요한 안전 및 작업 지침이 포함되어 있습니다(**기술 데이터** 참조).

충전기를 사용하기 전에 충전기, 배터리 팩, 그리고 배터리 팩 관련 제품에 대한 지침과 주의 표시를 숙지하십시오.



경고: 감전 위험. 충전기 내부에 액체가 들어가지 않도록 하십시오. 감전될 수 있습니다.



경고: 정격 전류 전류가 30mA 미만인 누전 차단기를 사용하는 것이 좋습니다.



주의: 화상 위험. 신체 부상의 위험을 줄이려면 DeWALT 충전용 배터리로만 충전하십시오. 다른 유형의 배터리는 폭발로 인한 신체 부상과 손상을 초래할 수 있습니다.



주의: 어린이가 본 제품을 가지고 놀지 못하도록 항상 주시해야 합니다.

참고: 특정 조건에서, 충전기가 전원 공급기에 연결되어 있으면 충전기 내부에 노출된 충전 접점이 이물질에 의해 단락될 수 있습니다. 절부스러기, 알루미늄 호일, 금속 입자 축적물 등의 전도성 이물질은 충전기 캐비티에 닿지 않게 해야 합니다. 캐비티 안에 배터리 팩이 없을 경우 항상 배터리 전원 공급기에서 충전기의 플러그를 뽑으십시오. 충전기를 청소할 때는 플러그를 뽑아야 합니다.

- **본 사용 설명서에 명시된 충전기 외의 다른 충전기로 배터리 팩을 충전하지 마십시오.** 본 충전기와 배터리 팩은 함께 사용하도록 특수 설계되었습니다.
- **이러한 충전기는 DeWALT 충전용 배터리 충전 이외의 용도로는 사용할 수 없습니다.** 다른 용도로 사용하면 화재, 감전 또는 감전사의 위험이 있습니다.
- **충전기가 비나 눈을 맞지 않도록 하십시오.**
- **충전기를 분리할 경우 코드가 아니라 플러그를 뽑으십시오.** 그래야만 전기 플러그 및 코드 손상 위험이 줄어듭니다.
- **코드가 밟히거나 걸리거나 기타 원인에 의해 손상되거나 압박을 받지 않도록 유의하십시오.**
- **불가피한 경우가 아니면 연장 코드를 사용하지 마십시오.** 연장 코드를 잘못 사용하면 화재, 감전 또는 감전사의 위험이 있습니다.
- **충전기 위에 물건을 올려놓거나 부드러운 표면에 충전기를 두면 통풍구가 막혀 내부가 과열될 수 있습니다.** 충전기는 열원에 가까이 두지 마십시오. 충전기는 하우징의 상단과 하단에 있는 구멍을 통해 환기됩니다.
- **코드나 플러그가 손상된 충전기를 작동시키지 마십시오 — 즉시 교체하십시오.**
- **심한 충격을 받았거나 떨어뜨렸거나 어떠한 식으로든 손상된 경우에는 충전기를 작동시키지 마십시오.** 공인 서비스 센터로 가져가십시오.
- **충전기를 분해하지 마십시오.** 서비스나 수리가 필요한 경우에는 공인 서비스 센터로 가져가십시오. 잘못 재조립하면 감전, 감전사 또는 화재의 위험이 있습니다
- 전원 코드가 손상된 경우 사고 방지를 위해 제조업체, 서비스 대리점 또는 이에 준하는 유자격 수리 기술자를 통해 즉시 교체하십시오.
- **청소하려면 먼저 충전기를 콘센트에서 분리하십시오.** 그래야 감전 위험이 줄어듭니다. 배터리 팩을 제거하는 것만으로 이러한 위험이 줄어들지는 않습니다.
- **절대로 충전기 두 개를 함께 연결하지 마십시오.**
- **충전기는 가정용 표준 전력(220~240V)으로 작동하도록 설계되어 있습니다.** 다른 전압에서는 사용하지 마십시오. 차량용 충전기는 제외됩니다.

배터리 충전(그림 B)

1. 배터리 팩을 끼우기 전에 충전기를 적절한 콘센트에 꽂습니다.
2. 충전기에 배터리 팩 ④ 을 끼우고 배터리 팩이 완벽히 장착되었는지 확인하십시오. 빨간색(충전 중) 표시등이 반쪽에서 깜박이면서 충전 프로세스가 시작되었음을 알립니다.
3. 충전이 완료되면 빨간색 불이 계속 켜져 있습니다. 배터리 팩이 완전히 충전되면 바로 사용하거나 충전기에 그대로 둘 수 있습니다. 배터리 팩을 충전기에서 분리하려면, 배터리 팩에 있는 배터리 탈착 버튼 ⑤ 을 누릅니다.

참고: 리튬이온 배터리 팩의 성능과 수명을 극대화하려면 처음 사용하기 전에 배터리 팩을 완전히 충전시키십시오.

충전기 작동

배터리 팩의 충전 상태는 아래 표시등을 참조하십시오.

충전 표시등	
	충전 중
	완전 충전됨
	냉/온 팩 지연*

*빨간색 표시등이 계속 깜박거리지만, 노란색 표시등은 이 작동 동안 계속 켜져 있습니다. 배터리 팩이 적정 온도에 도달하면, 노란색 표시등이 꺼지고 충전기에서 충전 절차를 다시 시작합니다.

이 호환 충전기는 결함이 있는 배터리 팩은 충전하지 못합니다. 등이 켜지지 않도록 하여 배터리에 결함이 있음을 표시합니다.

참고: 이는 충전기 고장을 의미할 수도 있습니다.

충전기에 문제가 표시되는 경우 충전기와 배터리 팩을 공인 서비스 센터로 가져 가서 테스트를 받아 보십시오.

냉/온 팩 지연

충전기에서 너무 뜨겁거나 차가운 배터리 팩이 감지되면, 냉/온 팩 지연이 자동으로 시작되어 배터리 팩이 적절한 온도가 될 때까지 충전이 중단됩니다. 이 과정이 끝나면 충전기가 자동으로 팩 충전 모드로 전환됩니다. 이 기능은 배터리 팩 수명을 최대한으로 보장하기 위한 것입니다.

차가운 배터리 팩은 따뜻한 배터리 팩보다 더 느린 속도로 충전됩니다. 충전 사이클 전체에 걸쳐 배터리 팩은 이렇게 느린 속도로 충전되며 배터리 팩이 따뜻해지더라도 최대 충전 속도로 복원되지 않습니다.

DCB118 충전기에는 배터리 팩을 식히기 위해 설계된 내장 팬이 장착되어 있습니다. 배터리 팩을 식히야 하면 팬이 자동으로 켜집니다. 팬이 제대로 작동하지 않거나 환기구가 막혀 있을 경우 충전기를 작동하지 마십시오. 이물질이 충전기 내부로 들어가지 않도록 하십시오.

전자 보호 시스템

XR 리튬이온 배터리 팩은 배터리에 과부하가 걸리거나 과열 또는 완전 방전되는 것을 방지하는 전자 보호 시스템으로 설계되었습니다.

이 공구는 전자 보호 시스템이 작동하면 자동으로 꺼집니다. 이러한 경우 리튬 이온 배터리가 완전히 충전될 때까지 충전기에 리튬 이온 배터리 팩을 넣으십시오.

벽 장착

이들 충전기는 테이블 또는 작업 표면에 똑바로 세우거나 벽에 장착할 수 있도록 설계되었습니다. 벽에 장착하는 경우, 충전기는 전기 콘센트에 닿을 수 있는 범위 내에 놓고, 공기 흐름이 방해될 수 있는 코너 또는 기타 장애물로부터 멀리 두십시오. 벽에서 장착 나사의 위치는 견본으로 충전기의 뒤쪽을 사용하십시오. 나사 머리 직경이 7-9 mm인 최소 25.4 mm 길이의 석고보드 나사(별도 구매)를 사용해서 충전기를 단단히 장착하고, 노출된 나사의 약 5.5 mm를 남겨 두고 최적의 깊이로 목재에 고정합니다. 충전기 뒤쪽의 구멍을 노출되어 있는 나사에 맞추고 구멍에 완전히 맞물리도록 하십시오.

충전기 청소 지침

⚠ 경고: 감전 위험. 청소하려면 먼저 충전기를 AC 콘센트에서 분리하십시오. 헝겊이나 부드러운 비금속성 브러시로 충전기 외관 부분에 묻은 먼지 및 기름을 제거할 수 있습니다. 물이나 세척제를 사용하지 마십시오. 공구 내부에 액체를 넣거나 공구 부품을 액체에 담그는 행동은 절대 금물입니다.

배터리 팩

모든 배터리 팩에 대한 중요한 안전 지침

배터리 팩을 교체하기 위해 주운할 때는 카탈로그 번호와 전압을 반드시 확인하고 표기해야 합니다.

배터리 팩은 포장박스에서 꺼낼 때 완전히 충전된 상태가 아닙니다. 배터리 팩과 충전기를 사용하기 전에 아래 안전 지침을 숙독하십시오. 그런 다음 설명된 충전 절차를 따르십시오.

모든 지시 사항을 읽으십시오.

- **가연성 액체, 가스 또는 먼지 등 폭발성 분위기에서 배터리를 충전하거나 사용하지 마십시오.** 배터리를 끼우거나 충전기에서 분리할 때 먼지나 가스에 불이 붙을 수 있습니다.
- **충전기에 배터리의 팩을 끼울 때 과도한 힘을 주지 마십시오. 어떤 형태로든 호환되지 않는 충전기에 사용하기 위해 배터리 팩을 개조하지 마십시오. 배터리 팩이 파열되어 심각한 부상을 유발할 수 있습니다.**
- DeWALT 충전기에서만 배터리 팩을 충전하십시오.
- 물이나 기타 액체가 튀어 묻거나 액체에 빠지지 않도록 하십시오.
- 온도가 4 °C (34 °F) 이하로 떨어질 수 있는 곳(겨울철 외부에 있는 창고 또는 금속 건물 등) 또는 40 °C (104 °F)를 초과할 수 있는 곳(여름철 허름한 창고 또는 금속 건물 등)에 공구와 배터리의 팩을 보관하거나 사용하지 마십시오.
- **배터리 팩이 심하게 손상되거나 완전히 낡았더라도 절대 소각하지 마십시오.** 배터리 팩은 불 속에서 폭발할 수 있습니다. 리튬이온 배터리 팩은 연소되면서 독성 연기와 물질을 발생시킵니다.
- **배터리 내용물이 피부에 닿으면 즉시 중성 세척제로 해당 부위를 씻으십시오.** 배터리액이 눈에 들어갔을 경우, 15분 정도 또는 통증이 가실 때까지 눈을 뜨고 물로 씻어냅니다. 치료가 필요한 경우를 위해, 배터리 전해질은 액체 유기 탄산염과 리튬염의 혼합물로 구성되어 있음을 알아 두십시오.
- **열린 배터리 셀의 내용물은 호흡기 질환을 일으킬 수 있습니다.** 신선한 공기를 마십시오. 증상이 계속되면 치료를 받으십시오.

⚠ 경고: 화재 위험. 배터리액은 불꽃이나 화염에 노출되면 연소될 수 있습니다.

⚠ 경고: 어떤 이유로든 배터리 팩을 절대 분해하지 마십시오. 배터리 팩 케이스가 깨지거나 손상되면 충전기에 넣지 마십시오. 배터리 팩을 뭉개거나 떨어뜨리거나 손상시키지 마십시오. 강한 충격을 받았거나,

떨어뜨렸거나, 차에 치였거나 기타의 원인으로 어떤 방식으로든 손상된 (못이 박히거나 망치로 맞았거나 발힘) 배터리 팩이나 충전기는 사용하지 마십시오. 감전 또는 감전사의 위험이 있습니다. 손상된 배터리 팩은 재활용을 위해 서비스 센터에 반환해야 합니다.



경고: 화재 위험. 배터리 팩을 보관하거나 휴대할 때는 노출된 배터리 단자에 금속 물체가 닿지 않도록 하십시오. 예를 들어, 못, 나사, 키 등이 있는 알치마, 주머니, 도구상자, 제품 키트 상자, 서랍 등에 배터리 팩을 두지 마십시오.



주의: 사용하지 않는 공구는 걸려 넘어지거나 떨어질 위험이 없는 안정된 표면에 놓혀 두십시오. 배터리 팩이 큰 일부 공구들은 배터리 팩 위에 바로 서 있지만 쉽게 넘어질 수 있습니다.

운반



경고: 화재 위험. 배터리를 운반할 때 배터리 단자가 실수로 전도성 물질과 닿을 경우 화재 위험의 가능성이 있습니다. 배터리를 운반할 경우에는 배터리 단자가 보호되어 있고, 물체에 닿을 경우 단락을 일으킬 수 있는 물체로부터 제대로 절연되어 있는지 확인하십시오.

참고: 리튬이온 배터리는 위탁 수화물에 넣어서는 안 됩니다.

DeWALT 배터리는 UN의 위험물 운송에 관한 권고(Recommendations on the Transport of Dangerous Goods, RTDG), 국제 항공 운송 협회(IATA)의 위험물 규정, 국제해상위험물(International Maritime Dangerous Goods, IMDG)규정 및 국제도로위험물품운송에 관한 유럽조약(European Agreement Concerning The International Carriage of Dangerous Goods by Road (ADR))을 포함하여 산업 표준 및 법적 기준에 따라 해당되는 모든 운송 규정을 준수합니다. 리튬 이온 전지 및 배터리는 위험 화물 테스트 및 기준 설명서에 대한 UN 권고 38.3항에 따라 테스트되었습니다.

대개의 경우에, DeWALT 배터리 팩 운송은 완전 규제를 받는 Class 9 위험 물질로 분류되지 않습니다. 일반적으로, 에너지효율 등급이 100 와트시(Wh)보다 큰 리튬 이온 배터리를 포함하는 수송품만 완전 규제를 받는 Class 9에 따라 운송되어야 합니다. 모든 리튬 이온 배터리에는 팩에 와트시 등급이 표시되어 있습니다. 뿐만 아니라, 규정의 복잡성으로 인해 DeWALT는 와트 시 등급에 상관 없이 리튬 이온 배터리 팩을 단독으로 항공 운송하는 것을 권장하지 않습니다. 배터리 팩의 와트시 등급이 100 Whr보다 크지 않을 경우는 제외되므로 배터리(공보 키트)가 포함된 공구의 수송품은 항공 운송할 수 있습니다.

수송품이 예외로 고려되든지 또는 완전 규제를 받든지 상관없이, 포장, 라벨링/표시 및 문서 요건에 관한 최신 규정을 참고하는 것은 운송 회사의 책임입니다.

설명서의 본 색션에서 제공하는 정보는 성실하게 제공되며 문서가 작성될 당시에는 정확한 것으로 간주합니다. 단, 명시적이거나 함축적으로 보증은 제공되지 않습니다. 활동 시 해당 규정을 준수하는 것은 구매자의 책임입니다.

FLEXVOLT FLEXVOLT™ 배터리 운반

DeWALT FLEXVOLT™ 배터리에는 두 개의 모드, 즉 **사용** 및 **운반**이 있습니다.

사용 모드: FLEXVOLT™ 배터리는 독립되어 있거나 DeWALT 18V (최대 20V) 제품 안에 있을 경우, 18V (최대 20V) 배터리로 작동됩니다. FLEXVOLT™ 배터리가 54V (최대 60V) 또는 108V (최대 120V) (두 개의 54V(최대 60V) 배터리) 제품이면, 54V (최대 60V) 배터리로 작동됩니다.

운반 모드: 캡이 FLEXVOLT™ 배터리에 장착되어 있으면, 배터리는 운반 모드에 있는 것입니다. 운송 시 캡을 유지하십시오.

운반 모드에 있을 때, 더 높은 와트시 등급의 배터리 1개에 비해 더 낮은 와트시(Wh) 등급의 배터리 3개가 되는 팩 내에서 일련의 셀은 전기 연결이 끊어져 있습니다. 와트시 등급이 더 낮은 이 증가된 배터리 3개 수량은 더 높은 와트시 배터리에 부과되는 특정 수송 규정에서 팩을 면제시킬 수 있습니다.

예를 들어, 운반 Wh 정격은 3 x 36 Wh 를 나타내며, 각 36 Wh 배터리 3개를 의미합니다. 사용 Wh 정격은 108 Wh를 나타낼 수 있습니다(1개 배터리 포함).

보관 권장 사항

1. 보관 장소로는 직사광선을 받지 않고 지나치게 덥거나 춥지 않은 시원하고 건조한 곳이 가장 좋습니다. 최적의 배터리 성능과 수명을 위해, 사용하지 않을 때에는 배터리 팩을 실온에서 보관하십시오.
2. 장기간 보관하는 경우, 최적의 결과를 위해 완전히 충전된 배터리 팩을 충전기에서 분리하여 차갑고, 건조한 장소에 보관하는 것이 좋습니다.

참고: 배터리 팩은 완전히 방전된 상태로 보관해서는 안됩니다. 사용 전에 배터리 팩을 재충전해야 합니다.

충전기 및 배터리 팩에 부착된 라벨

본 설명서에 사용된 그림 외에도 충전기 및 배터리 팩에 부착된 라벨에는 다음과 같은 그림이 표시되어 있습니다.



사용 전에 사용 설명서의 내용을 숙지하십시오.



충전 시간은 **기술 데이터**를 참조하십시오.



전도성 있는 물체로 시험하지 마십시오.



손상된 배터리 팩을 충전하지 마십시오.



물에 닿지 않도록 하십시오.



손상된 코드는 즉시 교체하십시오.



4 °C ~ 40 °C 사이에서만 충전하십시오.



실내 전용.



환경 보호 차원에서 배터리 팩을 폐기하십시오.



지정된 DeWALT 충전기로만 DeWALT 배터리 팩을 충전하십시오. DeWALT 충전기에 지정된 DeWALT 배터리 이외의 배터리 팩을 충전하면 폭발하여 다른 위험한 상황으로 이어질 수 있습니다.



배터리 팩을 소각하지 마십시오.



사용(운반 캡 미포함). 예: Wh 정격은 108 Wh를 나타냅니다(108 Wh 배터리 1개).



운반(내장 운반 캡 포함). 예: Wh 정격은 3 x 36 Wh (36 Wh 배터리 3개)를 나타냅니다.

배터리 유형

DCS727 은 54 볼트(60V 최대) 배터리 팩으로 작동됩니다.

이러한 배터리 팩은 다음을 사용할 수 있습니다. DCB546, DCB547, DCB548. 자세한 정보는 **기술 데이터**를 참조하십시오.

포장 내용물

포장에는 다음 내용물이 들어 있습니다.

1. 조립된 마스터 소
1. 날 렌치(톱에 조립되어 있음)
1. 톱날(톱에 조립되어 있음)
1. 작업을 고정대
2. 베이스 연장부
2. 나사
2. 와셔
1. 리튬 이온 배터리 팩(C1, D1, L1, M1, P1, S1, T1, X1, Y1 모델)
2. 리튬 이온 배터리 팩(C2, D2, L2, M2, P2, S2, T2, X2, Y2 모델)
3. 리튬 이온 배터리 팩(C3, D3, L3, M3, P3, S3, T3, X3, Y3 모델)
1. 사용 설명서

참고: 배터리 팩, 충전기 및 공구박스는 N 모델에 포함되지 않습니다. 배터리 팩과 충전기는 NT 모델에 포함되지 않습니다.

- 운반 중에 발생할 수 있는 공구, 부품 또는 액세서리의 손상 여부를 확인하십시오.
- 작동 전에 시간을 내어 본 사용 설명서를 읽고 숙지하십시오.

공구에 표시된 마크

공구에는 다음과 같은 그림이 있습니다.



사용 전에 사용 설명서의 내용을 숙지하십시오.



귀 보호 장구를 착용하십시오.



보안경을 착용하십시오.



톱날이 닿지 않는 쪽에 손을 두십시오.



가시 방사선이므로, 쳐다보지 마십시오.

날짜 코드 위치(그림 A)

날짜 코드에는 **8**, 제조년도가 포함되어 이 제조년도는 케이스에 인쇄되어 있습니다.

예:

2022 XX XX
제조년도

설명(그림 A1, A2, C-F)



경고: 전동 공구 또는 전동 공구의 어떤 부품도 절대 개조하지 마십시오. 제품이 파손되거나 신체 부상을 당할 수도 있습니다.

그림 A1

- 1 하부 가이드
- 2 작동 핸들
- 3 운반용 핸들
- 4 배터리
- 5 배터리 탈착 버튼
- 6 레일 잠금 노브
- 7 레일 고정 나사 조정
- 8 날짜 코드
- 9 레일
- 10 베벨 눈금
- 11 내려 잠금 핀
- 12 펜스 조정 노브
- 13 슬라이딩 펜스
- 14 베이스 펜스
- 15 베이스 연장부/운반용 핸들
- 16 손 자국 표시
- 17 테이블
- 18 작업대 장착 구멍
- 19 마이터 눈금
- 20 먼지 배관 입구
- 21 마이터 잠금 핸들
- 22 마이터 래치 버튼
- 23 절단판

그림 A2

- 24 트리거 스위치
- 25 락오프 레버
- 26 자물쇠 구멍
- 27 XPSTM™ 임시 ON 스위치
- 28 링 너트
- 29 깊이 조정 나사
- 30 그루빙 스톱
- 31 날 렌치
- 32 베이스
- 33 베벨 잠금 노브
- 34 0° 베벨 스톱
- 35 오른쪽 플립 다운 스톱
- 36 먼지 포트
- 37 벨트 커버
- 38 마이터 멈춤쇠 오버라이드

선택 액세서리

그림 C

- 39 DWS5026-XJ 작업물 클램프

그림 D

- 40 DW7053-QZ 먼지주머니

그림 E

- 41 DE7023-XJ / DE7033-XJ 레그 스탠드

그림 F

- 42 DE7025-XJ 클램프 브라켓

용도

DeWALT DCS727 마이터 쏘는 나무, 목제품 및 플라스틱을 전문적으로 절단하도록 고안되었습니다. 적절한 톱날을 사용하면, 알루미늄 톱질도 가능합니다. 본 전동공구는 교차절단, 베벨링 및 마이터링을 쉽고, 정확하고 안전하게 수행할 것입니다.

습한 환경이나 가연성 액체 또는 가스가 있는 장소에서 사용하지 **마십시오**.

이 마이터 쏘는 전동 전동 공구입니다.

어린이가 이 공구를 만지지 **않도록 하십시오**. 경험이 없는 작업자가 이 공구를 사용할 때는 감독자의 지도가 필요합니다.

- **어린이 및 노약자.** 본 제품은 어린이나 노약자가 사용하도록 설계되지 않았습니다. 이러한 사람이 사용할 때는 감독이 필요합니다.
- 본 제품은 안전 책임을 맡고 있는 사람이 감독을 하고 있지 않는 한 경험, 지식 또는 기술이 부족하고 신체적, 감각적 또는 정신적 능력이 미약한 사람(어린이 포함)이 사용하도록 고안된 것이 아닙니다. 이 제품과 함께 어린이만 혼자 두어서는 안됩니다.

조립 및 조정



경고: 심각한 신체 부상의 위험을 줄이려면 공구를 조정하거나 부착물 또는 액세서리를 제거/설치하기 전에 공구를 끄고 배터리 팩을 분리하십시오. 공구가 갑자기 작동하여 부상을 당할 수 있습니다.



경고: DeWALT 배터리 팩과 충전기만 사용하십시오.

배터리 팩 삽입 및 공구에서 배터리 팩 분리(그림 B)

참고: 배터리 팩 **4** 이 완전히 충전되었는지 확인하십시오.

배터리 팩을 공구 핸들에 설치하려면

1. 공구 핸들 안쪽의 레일에 배터리 팩 **4** 을 맞춥니다(그림 B).
2. 공구에 배터리 팩이 견고하게 장착될 때까지 핸들에 밀어 넣고 딸깍하고 잠기는 소리가 들리는지 확인하십시오.

공구에서 배터리 팩을 분리하려면

1. 탈착 버튼 **5** 을 누르고 배터리 팩을 공구 핸들에서 완전히 빼냅니다.
2. 본 사용 설명서의 충전기 섹션에 설명된 대로 배터리 팩을 충전기에 삽입합니다.

잔량표시계 배터리 팩(그림 B)

일부 DeWALT 배터리 팩에는 배터리 팩의 남아 있는 충전 레벨을 표시하는 세 개의 녹색 LED 등으로 구성된 잔량표시계가 포함되어 있습니다.

잔량표시계를 작동시키려면, 잔량표시계 버튼 **61** 을 누릅니다. 녹색 LED 표시등 3개가 조합되어 커짐으로써 충전 잔량 수준을 나타냅니다. 배터리 충전 잔량이 사용 가능한 한계치 미만이면 배터리 잔량표시계가 켜지지 않으므로 배터리를 재충전해야 합니다.

참고: 잔량표시계는 배터리 팩에 남아 있는 충전 레벨을 나타내는 것일 뿐입니다. 공구의 기능성을 나타내는 것이 아니며 제품 구성품, 온도 및 최종 사용자의 용도에 따라 변경될 수 있습니다.

포장 풀기(그림 A1, G)

1. 그림 G와 같이 상자를 열고 편리한 운반용 핸들 **3** 을 사용하여 톱을 들어 올립니다.
2. 매끄럽고 평평한 면에 톱을 놓습니다.
3. 레일 잠금 노브 **6** 를 풀고 톱 헤드를 뒤로 눌러 뒤쪽에 고정되도록 합니다.
4. 작동 핸들 **2** 을 살짝 눌러 내려 잠금 핀 **11** 을 당겨 뺍니다.
5. 부드럽게 하방 압력을 풀고 작동 핸들을 잡고 최대 높이까지 올라가도록 합니다.

작업대 장착(그림 A1)

벤치 장착을 쉽게 할 수 있도록 네 개의 모든 발에 구멍 **18** 이 제공되어 있습니다. 두 개의 다른 크기의 구멍은 다른 크기의 나사를 끼우기 위한 것입니다. 어느 쪽이든 구멍 하나를 사용합니다. 두 개를 사용할 필요가 없습니다.

항상 톱을 안정된 표면에 단단히 장착하여 흔들리지 않도록 하십시오. 공구의 이동성을 향상시키기 위해, 이 전동공구는 작업 지지대에 질 수 있는 혹은 다른 작업대로 옮기거나 다시 질 수 있는 12.7mm 두께 이상의 합판 조각에 고정할 수 있습니다.

참고: 톱을 합판 조각에 장착하기로 한 경우 설치나사가 나무의 아래쪽에서 튀어나오지 않도록 하십시오. 합판은 작업 지지대와 수평을 이루도록 장착되어야 합니다. 작업 표면에 톱을 칠 때 설치나사 구멍이 있는 조임돌기에만 조이십시오. 다른 지점에서 조이면 톱이 제대로 작동하는데 방해가 됩니다.

! 주의: 육이거나 부정확하지 않도록 고정 표면이 휘거나 울퉁불퉁하지 않도록 확인하십시오. 톱이 흔들릴 경우 톱이 장착면에 확실히 장착될 때까지 한 개의 톱 톱 아래에 얇은 조각을 대십시오.

베이스 연장부 조립(그림 2)

! 경고: 톱을 사용하기 전에 톱의 베이스 양쪽에 베이스 연장부를 조립해야 합니다.

! 경고: 톱의 베이스와 수평이 되도록 장착 구멍을 사용하여 베이스 연장부를 조정하십시오.

1. 베이스 측면에서 손가락 표시 **16** 위에 있는 구멍을 찾습니다.
2. 제공된 렌치 또는 T30 렌치를 사용해서, 와서 **64**, 베이스 연장부 **15** 를 통해 나사 **63** 를 베이스의 구멍 속으로 장착합니다.
3. 움직이지 않는지 확인하려면 연장부를 당겨봄으로써 연장부가 고정되었는지 확인합니다.
4. 다른 쪽에서 1~3 단계를 반복합니다.

새 톱날 교환 또는 설치

톱날 분리(그림 H1-H4)

! 경고: 신체 부상의 위험을 줄이려면 톱날을 취급할 때는 장갑을 착용하십시오.

! 경고: 심각한 신체 부상의 위험을 줄이려면 공구를 조정하거나 부착물 또는 액세서리를 제거/설치하기 전에 공구를 끄고 배터리 팩을 분리하십시오. 공구가 갑자기 작동하여 부상을 당할 수 있습니다.

- 날이 관성으로 움직이는 동안에는 스피들 잠금 버튼을 절대로 누르지 마십시오.
- 미아이터 쓰를 사용하여 경합금과 철금속(쇠 또는 강) 또는 석조 또는 섬유조직의 시멘트 제품을 절단하지 마십시오.

1. 톱에서 배터리를 제거합니다.
2. 암을 상부 위치까지 들어올리고 하부 가드 **1** 을 최대한 멀리 올립니다.
3. 잘릴 때까지 손으로 톱날을 조심스럽게 돌리는 동안 스피들 잠금 버튼 **44** 을 누릅니다.
4. 버튼을 누른 상태에서 다른 손과 제공된 6 mm 렌치 **31** 를 사용해 날의 나사 **43** 를 풀니다. (좌측의 나삿니를 시계 방향으로 돌립니다.)
5. 날 나사 **43**, 외부의 클램프 와서 **45** 및 날 **46** 을 제거합니다. 인쪽의 와서 **48** 는 스피들에 남아 있을 수 있습니다.
6. 새 톱날을 설치할 때 필요할 경우 이전 톱날에서 어댑터 링 **47** 을 분리해서 보관해 두십시오.

톱날 설치(그림 H1-H4)

1. 톱에서 배터리를 제거합니다.
2. 필요할 경우 새 톱의 구멍에 어댑터 링 **47** 을 잠금 위치로 고정합니다.
3. 암을 올리고 하부 가드 **1** 을 열어 놓은 상태에서 날을 내부 와서 **48** 의 슬롯에 장착하고, 날의 하단부에 있는 치가 톱의 뒤쪽을 가리키고 있는지 확인하십시오.
4. 스피들에 외부의 클램프 와셔를 조립합니다.
5. 날 나사를 설치하고 스피들 잠금을 작동하면서 제공된 렌치로 나사를 단단히 조입니다(좌측의 나삿니를 시계 반대 방향으로 돌립니다).

! 경고! 톱날은 설명한 방식으로만 교체해야 함을 유의하십시오. 기술 데이터에 지정된 대로만 톱날을 사용하십시오(카탈로그 번호: DT4260 제안됨).

톱 이동(그림 A1, A2)

! 경고: 심각한 신체 부상의 위험을 줄이려면, 항상 톱을 이동하기 전에 레일 잠금 노브, 마이터 잠금 핸들, 베벨 잠금 핸들, 내려 잠금 핀과 펜스 조정 노브를 잠그십시오 이동하거나 들어 올리기 위해 가드를 사용하지 마십시오.

미아이터 쓰를 편리하게 가지고 다니려면 톱 암의 상부에 운반용 핸들 **3** 이 포함되어 있어야 합니다.

- 톱을 이동하려면 헤드를 내리고 내려 잠금 핀 **11** 을 누릅니다.
- 레일 잠금 노브와 전면에 있는 톱 헤드를 잠그고, 마이터 암을 최대 좌측 마이터 각도로 잠그고, 펜스 **13** 를 안쪽으로 완전히 밀고, 베벨 잠금 노브 **33** 를 수직 위치의 톱 헤드와 함께 잠금 공구가 최대한 간편하도록 만듭니다.
- 항상 운반용 핸들 **3** 또는 베이스 연장부 **15** 를 사용하십시오.

기능 및 컨트롤

! 경고: 심각한 신체 부상의 위험을 줄이려면 공구를 조정하거나 부착물 또는 액세서리를 제거/설치하기 전에 공구를 끄고 배터리 팩을 분리하십시오. 공구가 갑자기 작동하여 부상을 당할 수 있습니다.

미아이터 제어(그림 A2, I)

미아이터 잠금 핸들 **21** 과 미아이터 래치 버튼 **22** 을 통해 톱을 우측 60° 및 좌측 50° 까지 미아이팅할 수 있습니다. 톱을 미아이팅하려면 미아이터 잠금 핸들을 올리고, 미아이터 래치 버튼을 누르고 미아이터 눈금 **19** 에서 원하는 미아이터 각도를 설정합니다. 미아이터 각도를 잠그려면 미아이터 잠금 핸들을 밀어 내립니다.

미아이터 잠금 노브의 잠금을 풀고 미아이터 멈춤쇠 오버라이드 **38** 를 아래쪽으로 눌러서 미아이터 래치 버튼을 오버라이드합니다. 오버라이드를 종료하려면, 미아이터 멈춤쇠 오버라이드를 위쪽으로 누릅니다.

베벨 잠금 노브(그림 A2)

베벨 잠금을 통해 톱을 49° 좌측 또는 우측으로 베벨링할 수 있습니다. 베벨 설정을 조정하려면, 베벨 잠금 노브 **33** 를 시계 반대 방향으로 돌립니다. 0° 베벨 오버라이드 노브를 끌어 당기면 톱 헤드가 좌우로 쉽게 베벨링됩니다. 조이려면, 베벨 잠금 노브를 시계 방향으로 돌립니다.

0° 베벨 오버라이드(그림 A2)

0° 베벨 스톱 **34** 오버라이드를 통해 톱을 0° 표시를 지나 우측으로 톱을 베벨링할 수 있습니다.

작동된 좌측에서 시작한 경우 톱이 자동으로 0° 에서 정지합니다. 임시로 0° 를 지나 우측으로 이동하게 하려면, 베벨 잠금 노브 **33** 를 당깁니다. 노브를 놓으면 오버라이드가 다시 작동됩니다. 베벨 잠금 노브는 노브를 180° 돌려서 잠금 수 있습니다.

0° 에 있으면 오버라이드가 제자리에서 잠깁니다. 오버라이드를 작동하려면 톱을 좌측으로 약간 기울입니다.

45° 베벨 스톱 오버라이드(그림 J)

톱의 양쪽에 하나씩 두 개의 베벨 스톱 오버라이드 레버가 있습니다. 톱을 좌측 또는 우측, 45° 를 지나 베벨링하려면, 45° 베벨 오버라이드 레버 **55** 를 뒤쪽으로 밀니다. 뒤쪽에 있을 때 이러한 정지점을 지나 베벨링할 수 있습니다. 45° 정지가 필요할 경우 45° 베벨 오버라이드 레버를 안쪽으로 당깁니다.

크라운 베벨 멈춤쇠(그림 J)

크라운 물딩을 평평하게 놓고 절단할 때, 톱이 크라운 스톱, 좌우를 정확하고 빠르게 설정할 수 있도록 되어 있습니다(크라운 물딩을 평평하게 놓고 절단 및 복합 기능 사용에 대한 지침을 참조하십시오).

크라운 베벨 멈춤쇠 **57** 를 돌려 크라운 조정 나사와 맞닿게 할 수 있습니다.

크라운 베벨 멈춤쇠를 뒤바꾸려면, 고정 나사, 22.5° 베벨 멈춤쇠 **56** 와 30° 크라운 베벨 멈춤쇠 **57** 를 제거합니다. 30° 문구가 위를 향하도록 크라운 베벨 멈춤쇠 **57** 를 돌립니다. 나사를 다시 장착하여 22.5° 베벨 멈춤쇠와 크라운 베벨 멈춤쇠를 고정합니다. 정확도 설정에는 영향을 주지 않습니다.

22.5° 베벨 멈춤쇠(그림 J)

톱은 22.5° 베벨, 좌측 또는 우측을 빠르고 정확하게 설정하도록 되어 있습니다. 22.5° 베벨 멈춤쇠 **56** 를 돌려 크라운 조정 나사 **54** 와 맞닿게 할 수 있습니다.

레일 잠금 노브(그림 A1)

레일 잠금 노브 **6** 를 통해 레일 **9** 에서 미끄러지지 않도록 톱 헤드를 단단히 잠금 수 있습니다. 이는 절단을 하거나 톱을 운반할 때 필요합니다.

그루빙 스톱(그림 A2)

그루빙 스톱 **30** 을 통해 날의 절단 깊이를 제한할 수 있습니다. 이 스톱은 그루빙과 키 큰 수직 절단 등의 용도에 유용합니다. 그루빙 스톱을 안쪽으로 돌리고 깊이 조정 나사 **29** 를 조정해 원하는 절단 깊이를 설정합니다. 조정을 고정하려면 워너트 **28** 를 조입니다. 그루빙 스톱을 톱의 뒤쪽으로 돌리면 그루빙 스톱 기능을 건너뛸니다. 깊이 조정 나사가 손으로 풀기에 너무 조여진 경우 제공된 6 mm 날 렌치 **31** 를 사용하여 나사를 풀 수 있습니다.

내려 잠금 핀(그림 A1)

경고: 내려 잠금 핀은 톱을 들고 다니거나 보관할 때만 사용해야 합니다. 절단 작업 중에는 내려 잠금 핀을 절대로 사용하지 않습니다.

톱 헤드를 내린 위치로 잠그려면 톱 헤드를 아래로 밀고, 내려 잠금 핀 **11** 을 안으로 누르고 톱 헤드를 푼다. 이렇게 하면 톱을 여기저기로 이동 시 톱 헤드가 안전하게 아래쪽에 고정됩니다. 풀려면 톱 헤드를 아래로 누르고 핀을 당겨 뺍니다.

슬라이드 잠금 레버(그림 K, U)

슬라이드 잠금 레버 **62** 는 그림 U와 같이 수직으로 절단할 때 톱을 한 위치에 있게 하여 베이스 몰딩의 절단을 극대화합니다.

오른쪽 플립 다운 스톱(그림 A1, A2)

오른쪽 플립 다운 스톱 **35** 는 슬라이딩 펜스 **13** 에 장착되어 있어서 필요하지 않을 때는 뒤쪽으로 돌려 놓을 수 있습니다. 다수의 조각을 동일한 너비로 절단할 때, 오른쪽 플립 다운 스톱을 앞쪽으로 돌리고, 슬라이딩 펜스를 날에서 원하는 거리로 이동하고(자로 측정된 예정) 목판이 스톱을 접촉한 상태에서 절단을 합니다.

조정

마이터 쓰는 공작 출고시 최대한 정확하게 조정되어 있습니다. 발송 또는 다른 이유로 인해 재조정이 필요할 경우, 아래의 설명에 따라 톱을 조정하십시오. 조정을 마쳤으면, 이러한 조정을 정확하게 유지해야 합니다.

마이터 눈금 조정(그림 I, L)

1. 마이터 잠금 핸들 **21** 의 잠금을 풀고 마이터 래치 버튼 **22** 이 0° 마이터 위치에 잠금 때까지 마이터 암을 흔듭니다. 마이터 눈금 핸들을 잠그지 않습니다.
2. 그림과 같이 톱의 펜스와 날이 직각이 되도록 놓으십시오. (직각자로 톱니의 끝을 건드리지 마십시오. 측정이 부정확해질 수 있습니다.)
3. 톱날이 펜스에 대해 정확하게 수직인 경우, 네 개의 나사 **51** 를 풀고 마이터 눈금 **19** 을 유지하고 정사각형으로 측정된 대로 날이 펜스와 직각이 될 때까지 마이터 잠금 핸들과 눈금을 좌측 또는 우측으로 이동합니다.
4. 네 개의 나사를 다시 조입니다. 이 때에는 마이터 포인터 **49** 의 눈금값에 주의할 필요가 없습니다.

마이터 포인터 조정(그림 I)

1. 마이터 잠금 핸들 **21** 의 잠금을 풀어 마이터 암을 0 위치까지 이동합니다.
2. 마이터 잠금 핸들의 잠금을 푼 상태에서, 마이터 암을 0으로 돌리면 마이터 래치가 제자리에서 딸깍하고 잠깁니다.
3. 그림 I와 같이 마이터 포인터 **49** 와 마이터 눈금 **19** 을 주시합니다. 포인터가 정확하게 0을 가리키지 않을 경우, 포인터를 제자리로 고정하고 있는 마이터 포인터 나사 **50** 를 풀고, 포인터의 위치를 다시 잡고 나사를 조입니다.

테이블에 직각이 되도록 베벨 조정(그림 A1, A2, J, M)

1. 날이 테이블에 직각이 되도록 맞추려면 내려 잠금 핀 **11** 으로 암을 내린 위치에 잠급니다.
2. 차 상단에서 직각이 되지 않도록 하면서 날에 직각이 되도록 놓으십시오 (그림 M).
3. 베벨 잠금 노브 **33** 를 풀고 암이 0° 베벨 스톱 쪽에 단단히 있는지 확인하십시오.
4. 날이 테이블에서 0° 베벨에 있도록 필요에 따라 0° 베벨 조정 나사(**59**) 그림 J) 를 6 mm 날 렌치 **31** 로 돌립니다.

베벨 포인터 조정(그림 J)

베벨 포인터 **53** 가 0을 가리키지 않을 경우, 각 베벨 포인터를 제자리로 고정하는 각 나사 **52** 를 풀고 필요에 따라 이동합니다. 다른 베벨 각도 나사를 조정하기 전에 0° 베벨이 정확하고 베벨 포인터가 설정되었는지 확인하십시오.

베벨 스톱 45° 우측 및 좌측 조정(그림 A2, J)

우측 45° 베벨 스톱을 조정하려면:

1. 톱을 베벨링하기 전에 펜스 **13** 를 최대 위치로 밀어 놓습니다.
2. 베벨 잠금 노브 **33** 를 풀고 0° 베벨 스톱 **34** 을 당겨 0° 베벨 스톱을 오버라이드합니다.
3. 톱이 완전히 우측에 있을 때, 베벨 포인터 **53** 가 정확하게 45° 를 가리키지 않을 경우 베벨 포인터가 45° 를 가리킬 때까지 6 mm 날 렌치 **31** 로 좌측 45° 베벨 조정 나사 **58** 를 돌립니다.

좌측 45° 베벨 스톱을 조정하려면:

1. 톱을 베벨링하기 전에 펜스 **13** 를 최대 위치로 밀어 놓습니다.

2. 베벨 잠금 노브를 풀고 헤드를 좌측으로 기울입니다.

3. 베벨 포인터가 정확하게 45° 를 가리키지 않을 경우, 베벨 포인터가 45° 를 나타낼 때까지 우측 45° 베벨 조정 나사를 돌립니다.

베벨 스톱을 22.5° (또는 30°)로 조정(그림 A2, J)

참고: 0° 베벨 각도와 베벨 포인터 조정을 수행한 후에만 베벨 각도를 조정하십시오. 22.5° 또는 30° 베벨 조정을 시작하기 전에 슬라이딩 펜스를 최대 위치로 밀어 놓습니다.

좌측 22.5° 베벨 각도를 설정하려면 좌측 22.5° 베벨 멈춤쇠 **56** 를 탁 돌립니다.

베벨 잠금 노브 **33** 를 풀고 헤드를 좌측으로 완전히 기울입니다. 베벨 포인터 **53** 가 정확하게 22.5° 를 가리키지 않을 경우, 베벨 포인터가 22.5° 를 나타낼 때까지 10 mm 렌치로 멈춤쇠와 맞닿는 크라운 조정 나사 **54** 를 돌립니다.

우측 22.5° 베벨각을 조정하려면 우측 22.5° 베벨 멈춤쇠를 탁 돌립니다. 베벨 잠금 노브를 풀고 0° 베벨 스톱 **34** 을 당겨 0° 베벨 스톱을 오버라이드합니다. 톱이 완전히 우측에 있을 때, 베벨 포인터가 정확하게 22.5° 를 가리키지 않을 경우 베벨 포인터가 22.5° 를 가리킬 때까지 10 mm 렌치로 멈춤쇠와 맞닿아 있는 크라운 조정 나사 **54** 를 돌립니다.

펜스 조정(그림 A1)

펜스의 상부를 조정해서 톱이 49° 좌측 및 우측으로 베벨링할 수 있도록 클리어런스를 제공할 수 있습니다.

1. 각 펜스 **13** 를 조정하려면, 펜스 조정 노브 **12** 를 풀고 펜스를 바깥쪽으로 밀니다.
2. 톱의 스위치를 끈 채 공회전을 시키고 우격을 확인하십시오.
3. 암이 위아래 이동을 방해하지 않으면서 최대한 작업물을 지지하도록 펜스를 최대한 실용적으로 날에 가깝게 조정합니다.
4. 펜스 조정 노브를 단단히 조입니다.
5. 베벨 작업이 완료되면 펜스를 이동합니다.

참고: 펜스 트랙이 톱밥으로 막힐 수 있습니다. 브러시나 약한 저압의 공기를 사용하여 가이드 홈을 청소하십시오.

가드 작동 및 시계(그림 Y)

톱의 하부 가드 **1** 는 암이 내려가면 자동으로 날의 덮개를 벗기고 암이 올라가면 날을 덮도록 설계되었습니다.

톱날을 설치 또는 분리하거나, 톱 점검 시 손으로 가드를 올릴 수 있습니다. 날이 정지되지 않았을 때는 하부 가드를 수동으로 올리지 마십시오.

레일 가이드 조정(그림 A1)

정기적으로 레일 **9** 의 동작과 톱을 점검합니다.

고정나사 **7** 로 좌측 레일을 조정할 수 있습니다. 톱을 줄이려면 톱 헤드를 앞뒤로 밀면서 4 mm 육각 렌치를 사용해 고정나사를 서서히 시계 방향으로 돌립니다.

마이터 잠금 조정(그림 A1, N)

마이터 잠금 핸들이 아래로 잠겨 있을 때 톱의 테이블이 움직일 수 있는 경우 마이터 잠금 봉 **60** 을 조정해야 합니다.

1. 마이터 잠금 핸들 **21** 을 잠금 해제(위쪽) 위치로 놓습니다.
2. 일자형 나사를 사용해 그림 N와 같이 시계 방향으로 돌려 마이터 잠금봉을 조입니다. 꼭 맞을 때까지 잠금봉을 돌린 다음 시계 반대 방향을 한 차례 돌립니다.
3. 마이터 눈금에서 비 멈춤 측정치(예, 34°)까지 마이터 잠금을 다시 잠그고 테이블이 돌아가지 않는지 확인하십시오.

작동을 하기 전에(그림 A1, A2)

- 적절한 톱날을 설치하십시오. 지나치게 마모된 날을 사용하지 마십시오. 공구의 최대 회전 속도는 톱날의 최대 회전 속도를 초과해서는 안됩니다. 연마제의 날을 사용하지 마십시오.
- 보호 벨트 커버 **37** 의 손상 여부와 하부 가드 **1** 가 제대로 기능하는지 확인하십시오.
- 톱 베이스의 양쪽에 테이블 연장부를 설치합니다. **베이스 연장부 조립** 섹션을 참조하십시오.
- 지나치게 작은 조각을 절단하려고 하지 마십시오.
- 날이 자유자재로 절단할 수 있어야 합니다. 무리하게 힘을 가하지 마십시오.
- 절단 전에 모터가 최대 속도에 도달할 수 있어야 합니다.
- 모든 잠금 노브와 클램프 핸들이 조여졌는지 확인하십시오.
- 작업물을 고정하십시오.

- 이 톱은 나무와 여러 비철금속을 절단할 것이지만, 이 작동 지침은 나무 절단만을 참조한 것입니다. 다른 재료에도 동일한 가이드라인이 적용됩니다. 철계(철 및 강) 재료 또는 석조를 이 톱으로 절단하지 마십시오!
- 반드시 절단판을 사용하십시오. 커 자국의 구멍이 12 mm보다 더 넓은 경우 기계를 작동하지 마십시오.
- 톱을 외부 집진기에 연결합니다.

조작

사용 지침

- 경고:** 항상 안전 지시 사항과 해당 규정을 준수하십시오.
- 경고:** 심각한 신체 부상의 위험을 줄이려면 공구를 조정하거나 부착물 또는 액세서리를 제거/설치하기 전에 공구를 끄고 배터리 팩을 분리하십시오. 공구가 갑자기 작동하여 부상을 당할 수 있습니다.

선택 액세서리 색션의 톱날을 참조해서 가장 적합한 날을 선택합니다.

작업대 높이와 안정성 면에서 공구가 인체공학적 조건을 충족시키는 위치에 놓여 있는지 확인하십시오. 어떠한 제약 사항 없이 작업물을 취급할 수 있도록 작업자가 전체적으로 잘 볼 수 있고 기계 주변에 충분히 여유로운 공간이 있도록 기계 위치를 선택해야 합니다.

진동의 영향을 줄이려면 주변 온도가 너무 높고, 기계와 액세서리를 충분히 유지 보수하였고 작업물 크기가 이 기계에 적합인지 확인하십시오.

올바른 몸과 손의 위치(그림 01, 02)

- 경고:** 심각한 신체 부상의 위험을 줄이려면 항상 그림 01과 같이 올바르게 손을 위치하십시오.

- 경고:** 심각한 신체 부상의 위험을 줄이려면, 항상 급작스러운 반동을 예상하고 확실하게 잡으십시오.

- 절대로 절단되는 부위에 손을 두지 마십시오. 손은 날로부터 100mm 보다 더 가까이에서 두지 마십시오.
- 절단 시 테이블과 펜스에 대해 작업물을 단단히 잡으십시오 작동이 풀리고 톱날이 완전히 멈출 때까지 손을 제자리에 유지하십시오.
- 항상 날의 방향을 확인할 수 있도록 절단을 끝마치기 전에 시운전을 해 보십시오 (전원을 공급하지 않은 상태에서). 그림 02와 같이 손을 교차하지 마십시오.
- 양쪽 발을 바닥에 단단히 고정하고 적절한 균형을 유지하십시오. 마이터 암이 좌우로 움직이므로 따라가되 톱날의 측면에서 약간 옆으로 서 있으십시오.
- 연필선을 따라갈 때는 가드 루버를 통해 찾으십시오.

트리거 스위치(그림 A2)

톱을 켜려면 락오프 레버 **25** 를 공구 왼쪽으로 민 다음 트리거 스위치 **24** 를 누르십시오. 스위치가 눌러 있는 동안 톱이 작동합니다. 절단을 하기 전에 날이 최대 작동속도로 돌아갈 수 있도록 합니다. 톱을 끄려면 스위치를 놓습니다. 톱 헤드를 올리기 전에 톱날이 정지하도록 합니다. 스위치를 잡는 방법은 존재하지 않습니다. 스위치의 잠금을 해제하는 자물쇠를 끼울 수 있도록 트리거에 구멍 **26** 이 나 있습니다.

톱에는 자동 전자 날 브레이크가 장착되어 있지만 톱날은 트리거를 놓은 후 4초 이내에 멈추어야 합니다.

항상 절단 부위에서 제거하기 전에 날이 정지했는지 확인하십시오.

집진(그림 A2, D, AA)

- 경고:** 심각한 신체 부상의 위험을 줄이려면 공구를 조정하거나 부착물 또는 액세서리를 제거/설치하기 전에 공구를 끄고 배터리 팩을 분리하십시오. 공구가 갑자기 작동하여 부상을 당할 수 있습니다.

- 경고:** 오크 또는 너도밤나무 먼지 등 특정 먼지는 특히 목재 처리 첨가제와 연결되어 발암성으로 간주됩니다.

- 항상 집진 장치를 사용하십시오.
- 작업장은 환기가 잘 되도록 하십시오.
- 적절한 마스크를 착용하는 것이 좋습니다.

- 주의:** 먼지 주머니 또는 DEWALT 먼지 제거기가 제자리에 없을 때는 절대로 이 톱을 작동하지 마십시오. 나무 먼지는 호흡 관련 위험을 야기할 수 있습니다.

- 주의:** 매번 사용한 후 먼지주머니를 점검하고 청소하십시오.

- 경고:** 알루미늄을 절삭할 때는, 화재의 위험을 방지하기 위해 먼지주머니를 분리하거나, 집진기를 분리하십시오.

마이터 소에는 DeWALT AirLock (DWV9000-XJ)에 먼지주머니 **40** , 33 mm 노즐 또는 직접 부착물을 연결할 수 있는 내장 먼지 포트 **36** 가 있습니다.

작업할 재료에 대해 해당 국가의 관련 규정을 준수하십시오.

먼지주머니를 장착하려면(그림 D)

- 그림 D와 같이 먼지주머니 **40** 를 먼지 포트 **36** 에 장착합니다.

먼지주머니를 비우려면(그림 D)

- 톱에서 먼지주머니 **40** 를 분리한 다음 먼지주머니를 살짝 흔들거나 두드려서 먼지를 비웁니다.
- 먼지주머니를 다시 먼지 포트 **36** 에 재장착합니다.

모든 먼지가 주머니에서 완전히 떨어지지 않을 수 있습니다. 이는 절단 성능에 영향을 주지 않지만 톱의 집진 효율성을 감소시킵니다. 톱의 집진 효율성을 회복시키려면, 비우고 쓰레기통 또는 먼지통의 측면에 대고 털 때 먼지주머니 안쪽의 스프링을 누릅니다.

외부의 집진 장치(그림 AA)

건강에 특히 해롭거나 암을 유발하는 건조한 먼지를 진공청소기로 청소할 때는, 특수 분진 Class M 진공청소기를 사용하십시오.

AirLock 호환 집진기에 연결하기(그림 AA)

마이터 쓰의 먼지 포트 **36** 는 DeWALT AirLock 연결 시스템과 호환됩니다.

AirLock을 이용한 집진기 호스 **67** 와 마이터 스톱을 빠르고 견고하게 연결할 수 있습니다.

- AirLock 커넥터 **65** 의 칼라가 잠금 해제 위치에 있는지 반드시 확인하십시오. 칼라와 AirLock 커넥터의 눈금 **66** 을 잠금 해제 및 잠금 위치에 맞게 표시된 바와 같이 정렬하십시오.
- AirLock 커넥터를 먼지 포트 **36** 에 맞춰 누르십시오.
- 칼라를 잠금 위치로 돌립니다.

참고: 칼라 내부의 볼 베어링이 슬롯에 잠겨 견고하게 연결됩니다. 이제 마이터 쓰가 집진기에 견고히 연결됩니다.

XPST™ LED 작업등 시스템 사용(그림 A1, A2)

참고: 마이터 소에는 배터리 팩이 삽입되어 있어야 합니다.

XPST™ LED 작업등 시스템에는 임시 ON 스위치 **27** 가 장착되어 있어서 수동으로 켤 수 있습니다. XPST™ LED 작업등 시스템은 또한 트리거가 작동되고 톱날이 돌아가면 켜집니다.

나무 조각에 있는 기존의 연필선을 따라 절단하려면:

- XPST™ 시스템을 켜 다음, 작동 핸들 **2** 을 아래로 당겨서 톱날이 나무 가까이에 가도록 합니다. 나무에 날의 그림자가 나타납니다.
- 연필 선을 날의 그림자 가장자리에 맞춥니다. 연필선을 정확하게 맞추려면 마이터 또는 베벨 각도를 조정해야 할 수 있습니다.

관통 절단 작업(그림 A1, A2, P, Q)

슬라이드 기능을 사용하지 않는 경우 톱 헤드가 최대한 멀리 뒤로 밀렸고 레일 잠금 노브 **6** 가 조여졌는지 확인하십시오. 이는 작업물이 작동됨에 따라 톱이 레일에 따라 미끄러지지 않도록 방지합니다.

여러 개의 조각을 한 번에 절단하는 것은 권장되지 않으며 각 조각이 작업대와 펜스에 단단히 고정되어 있으면 가능합니다.

일직선 수직 크로스컷

- 마이터 암을 0에 설정하여 잠고 나무를 테이블 **17** 과 펜스 **13** 에 단단히 고정합니다.
- 레이일 잠금 노브 **6** 를 조인 상태에서 락오프 레버 **25** 를 누르고 트리거 스위치 **24** 를 당겨서 톱을 켭니다.
- 톱의 속도가 올라가면 암을 천천히 부드럽게 내려 나무를 절단합니다. 암을 올리기 전에 날이 끝까지 나오도록 하십시오.

슬라이딩 크로스컷(그림 A1, P)

51 x 115 mm (51 x 82 mm, 45° 마이터에서) 작업물보다 더 큰 어떤 것을 절단할 때, 레일일 잠금 노브 **6** 를 풀 상태에서 바깥쪽-아래쪽-뒤쪽 모션을 사용하십시오.

톱을 사용자 쪽으로 당겨 빼고, 작업물 쪽으로 톱 헤드를 아래로 내리고 톱을 천천히 뒤로 밀어 절단을 완료합니다.

베 내는 동안 톱이 작업물의 상부와 접촉하지 않도록 하십시오. 톱이 사용자 쪽으로 돌아서 부상을 입거나 작업물이 손상될 수 있습니다.

마이터 크로스컷(그림 Q)

모서리를 만들 때 마이터 각도는 대개 45°이지만 0에서 50° 좌측 또는 60° 우측으로 모든 각도로 설정할 수 있습니다. 일직선 수직 크로스컷을 진행합니다.

51 x 105 mm 보다 더 넓고 길이는 더 짧은 작업물에서 마이터 절단을 할 때는 항상 긴 쪽을 펜스쪽에 두십시오.

베벨 절단(그림 A1, A2)

베벨 각도는 49° 우측에서 49° 좌측까지 설정할 수 있고 50° 좌측 또는 60° 우측 사이로 설정한 마이터 암으로 절단할 수 있습니다. 베벨 시스템에 대한 자세한 설명은 **기능 및 컨트롤** 섹션을 참조하십시오.

- 베벨 잠금 노브 **33** 을 풀고 톱을 원하는 대로 좌측 또는 우측으로 이동합니다. 간격을 허용하려면 펜스 **13** 를 이동해야 합니다. 펜스의 위치를 정한 후에는 펜스 조정 노브 **12** 를 조입니다.
- 베벨 잠금을 단단히 조입니다.

일부 각도에서는 우측 펜스를 제거해야 할 수도 있습니다. 일부 베벨 절단의 경우 펜스 조정에 대한 중요한 정보는 **조정** 섹션에서 **펜스 조정**을 참조하십시오.

우측 펜스를 제거하려면 펜스 조정 노브 **12** 를 여러 번 돌려 나사를 풀고 펜스를 밀어 뺍니다. 우측 펜스는 분실되지 않도록 끈으로 아래 부분에 고정되어 있습니다.

절단 품질

모든 절단물의 매끄러움은 절단되는 재료, 날 종류, 날의 날카로움과 절단 속도 등 다양한 변수에 따라 달라집니다.

몰딩 및 기타 정교한 작업을 위해 가장 매끄러운 절단물을 원할 경우, 날카로운 (60 치 카바이드) 날과 더 느리고 고른 절단 속도가 원하는 결과를 만들 것입니다.

경고: 절단 중 재료가 이동하거나 천천히 움직이지 않도록 제자리에 단단히 고정하십시오. 항상 암을 올리기 전에 날이 끝까지 나오도록 하십시오. 나무의 작은 섬유 조직이 작업물의 뒤쪽에 쏟아지는 경우, 절단할 나무에 보호 테이프를 붙이십시오. 테이프를 통과해 톱질을 하고 끝난 후에는 테이프를 조심스럽게 제거합니다.

비 관통 절단(그루빙 및 은축이음)(그림 A2)

톱에는 그루빙 스톱 **30**, 깊이 조정 나사 **29** 와 워 너트 **28** 가 있어 홈 절단을 할 수 있습니다. **슬라이딩 크로스컷, 베벨 절단 및 컴파운드 마이터 절단** 섹션의 지시 사항은 재료의 전 두께를 통해 만드는 절단에 대한 것입니다. 또한 재료에 홈이나 은축이음을 만드는 데 비 관통 절단을 수행할 수도 있습니다.

그루빙(그림 A1, A2)

절삭 깊이 설정에 대한 자세한 설명은 **그루빙 스톱**을 참조하십시오. 목재 조각은 원하는 절삭 깊이를 확인하는 데 사용해야 합니다.

- 나무를 테이블과 펜스 **13** 에 단단히 고정하십시오. 날 아래에서 절단 영역을 조정합니다. 날을 내린 위치에 둔 상태에서 톱 암을 완전히 왼쪽으로 위치를 정합니다. 락오프 레버 **25** 를 누르고 트리거 스위치 **24** 를 당겨서 톱을 켭니다. 부드럽게, 톱 암을 뒤쪽으로 밀어서 작업물을 관통해 홈을 절단합니다.
- 톱 암을 내린 상태에서 트리거 스위치를 놓습니다. 톱날이 완전히 정지하면, 톱 암을 올립니다. 항상 암을 올리기 전에 날이 끝까지 나오도록 하십시오.
- 홈을 넓히려면, 원하는 너비가 될 때까지 1-2 단계를 반복합니다.

작업물 고정(그림 C)

경고: 절단 전에 고정하여 균형에 맞춘 작업물은 절단을 완료한 후에 균형을 잃을 수 있습니다. 하중이 불균형하면 테이블이나 작업대 등 톱이 부착되어 있는 어떤 것이든 톱을 기울어지게 할 수 있습니다. 균형을 잃을 수 있는 절단을 할 때는 작업물을 제대로 지지하고 톱이 안정된 표면에 볼트로 단단히 고정되었는지 확인하십시오. 부상을 입을 수 있습니다.

경고: 클램프를 사용할 때마다 클램프 끝은 톱의 베이스 위로 고정되도록 유지해야 합니다. 항상 작업물을 작업 영역의 다른 부분이 아닌, 톱의 베이스에 고정하십시오. 클램프 끝이 톱의 베이스 가장자리에 고정되지 않았는지 확인하십시오.

주의: 항상 작업 클램프를 사용하여 제어를 유지하고 작업물의 손상과 부상의 위험을 줄이십시오.

톱과 함께 제공된 작업물 고정대 **39** 를 사용하십시오. 고정을 보조하기 위해 좌측 또는 우측 펜스가 좌우로 미끄러집니다. 작업물의 크기와 모양에 따라 스프링 클램프, 바 클램프 또는 C-클램프 등을 적절하게 보조적으로 사용할 수 있습니다.

고정대를 설치하려면

- 베이스에 네 개의 직사각형 고정대 장착 구멍 **68** 이 있는데, 두 개는 톱의 앞쪽에 있고 두 개는 베이스 펜스 아래 뒤쪽에 있습니다. 네 개의 구멍 중 하나에 고정대 **39** 를 끼웁니다.
참고: 톱의 후면에 고정대를 조립할 때, 고정대 암은 고정대가 펜스 위로 통과함에 따라 고정대 포스트가 장착 구멍으로 미끄러져 들어갈 수 있도록 최고 위치에 있어야 합니다.
- 노브를 풀어서 고정대를 위아래로 조정하고 작업물을 침식으로 단단히 고정시킵니다.

참고: 베벨 절단 시 고정대를 베이스의 맞은편에 놓습니다. 항상 날의 경로를 확인할 수 있도록 절단을 끝내기 전에 시운전(전원을 공급하지 않은 상태에서)을 해 보십시오. 고정대가 톱이나 가드의 동작을 간섭하지 않도록 하십시오.

긴 조각용 지지대(그림 E)

항상 긴 조각으로 지지합니다.

최상의 결과를 위해 DE7023-XJ 또는 DE7033 레그 스탠드 **41** 를 사용해서 톱의 테이블 너비를 연장하십시오. 톱질모양 또는 유사한 장치 등의 편리한 수단을 사용하여 긴 작업물을 지지해 끝 쪽이 떨어지지 않도록 하십시오.

사진 액자, 새도박스 및 기타 4면체 절단(그림 R, S)

톱에 대한 "감각" 이 개발될 때까지 나무 조각을 사용해서 간단한 프로젝트를 몇 가지 시도해 보십시오. 본 톱은 그림 R에서 보는 것과 같이 모서리 마이터링을 위해 완벽한 공구입니다.

그림 S의 스케치 1은 베벨 조정 방식으로 만든 이음부를 나타냅니다. 그림과 같은 이음부는 두 개의 방법 중 하나를 사용해 만들 수 있습니다.

- 베벨 조정 가능 사용:
 - 두 개의 보드용 베벨은 각각 45° 로 조정되어 90° 모서리를 만든 것입니다.
 - 마이터 암은 0 위치에에서 잠겨 있고 베벨 조정은 45° 에 잠겨 있습니다.
 - 보드의 평평한 쪽을 테이블에 맞대어 두고 좁은 가장자리는 펜스 쪽으로 나무를 놓습니다.
- 마이터 조정 가능 사용:
 - 동일한 절단은 보드 면을 펜스 쪽으로 둔 상태에서 좌우로 마이터링하여 할 수 있습니다.

트림 몰딩 및 기타 프레임 절단(그림 S)

그림 S의 스케치 2는 90° 의 모서리를 형성하는 두 개의 보드를 마이터링하기 위해 마이터 암을 45° 로 설정해 만든 이음부입니다. 이러한 이음부 유형을 만들려면 베벨 조정을 0으로 설정하고 마이터 암을 45° 로 설정합니다. 다시 한 번 보드의 평평한 쪽을 테이블에 두고 좁은 가장자리는 펜스 쪽으로 나무를 놓습니다.

그림 S에서 두 개의 스케치는 4면체 전용입니다. 면 수가 변경됨에 따라 마이터 및 베벨 각도를 변경하십시오. 아래의 차트는 모든 면이 동일한 길이라는 가정하에 다양한 모양에 대한 적절한 각도를 제공하고 있습니다.

면 수	마이터 또는 베벨 각도
4	45°
5	36°
6	30°
7	25.7°
8	22.5°
9	20°
10	18°

차트에 표시되지 않은 모양의 경우 다음 공식을 사용하십시오. 마이터(재료가 수직으로 절단되는 경우) 또는 베벨 각도(재료가 평평하게 놓인 상태로 절단되는 경우) 동일한 면 수로 180° 분할됨.

컴파운드 마이터 절단(그림 T)

컴파운드 마이터는 마이터 각도와 베벨 각도를 동시에 사용해 만든 절단입니다. 이는 그림 T와 같이 비스듬한 면이 있는 프레임 또는 상자를 만들 때 사용되는 절단 유형입니다.

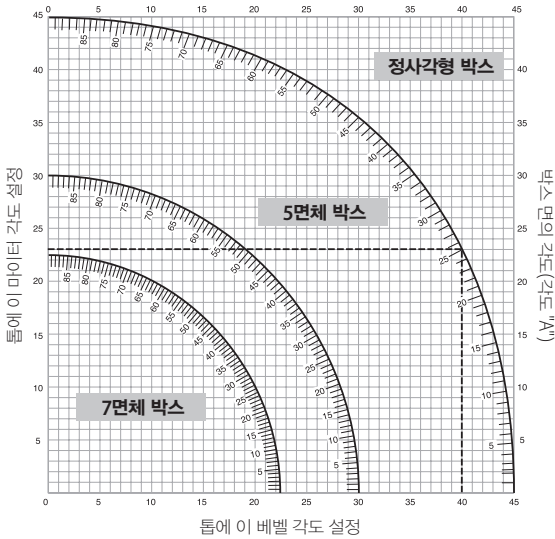


경고: 절단 각도가 절단마다 다를 경우, 베벨 잠금 노브와 마이터 잠금 핸들이 확실하게 잠겨있는지 확인하십시오. 이러한 것들은 베벨 또는 마이터에서 변경한 후 반드시 잠겨 있어야 합니다.

아래의 차트는 일반적인 컴파운드 마이터 절단을 위해 적합한 베벨 및 마이터 설정을 선택하는 데 도움을 줄 것입니다.

- 프로젝트의 원하는 각도 A(그림 T)를 선택하고 차트에서 적절한 호에 해당하는 각도를 찾습니다.
- 해당 지점에서 차트를 곧장 아래를 훑어 정확한 베벨 각도를 찾고 곧장 가로질러 정확한 마이터 각도를 찾습니다.
- 톱을 미리 정한 각도에 놓고 몇 번 시험 절단을 해 봅니다. 절단 조각을 서로 맞춰 보십시오.

예: 26° 외각이 있는 4면체 박스를 만들려면(각도 A, 그림 T), 상부의 오른쪽 호를 사용합니다. 호 눈금에서 26°를 찾습니다. 톱의 마이터 각도(42°)를 설정하려면 양쪽 중 한쪽으로 수평 교차선을 따라갑니다. 마찬가지로, 톱에 베벨 각도(18°)를 설정하려면 위 또는 아래로 수직 교차선을 따라갑니다. 항상 나무의 몇 개 파편 조각을 절단해 보고 톱의 설정을 확인하십시오.



베이스 몰딩 절단(그림 K, U)

직각 90° 절단을 완료하려면, 나무를 펜스 쪽으로 놓고 그림 U와 같이 제자리에 고정합니다. 톱을 켜고 날이 최대 속도에 도달하도록 하고 절단하면서 임을 매끄럽게 내립니다.

펜스에 대해 수직으로 70 mm부터 최고 150 mm까지 베이스 몰딩 절단(그림 K, U)

참고: 펜스 쪽으로 수직이 되게 70mm ~ 150mm까지 측정하는 베이스 몰딩 절단 시 그림 K와 같이 슬라이드 잠금 레버 62를 사용합니다.

그림 U와 같이 재료를 놓으십시오.

몰딩이 뒤쪽의 펜스 쪽에 있고 몰딩의 아래 부분이 테이블 쪽에 있는 상태에서 모든 절단을 해야 합니다.

	안쪽 모서리	바깥쪽 모서리
좌측	마이터 좌측 45° 절단면의 좌측 보관	마이터 우측 45° 절단면의 좌측 보관
우측	마이터 우측 45° 절단면의 우측 보관	마이터 좌측 45° 절단면의 좌측 보관

최대 150 mm까지의 재료는 위에 설명한 대로 절단할 수 있습니다.

크라उन 몰딩 절단(그림 A1, V1, V2)

마이터 쓰는 크라운 몰딩 절단 작업에 아주 적합합니다. 제대로 맞추려면 크라운 몰딩을 최대한 정확한 상태로 컴파운드 마이터링을 해야 합니다.

본 마이터 쓰는 22.5° 및 30° 좌우측에서 적합한 각도와 베벨 스톱 멈춤식에서 크라운 몰딩 절단을 위해 22.5°, 31.6° 및 35.3° 좌우측에 특수한 사전설정 래치 지점이 있습니다. 33.9°에 베벨 눈금 10이 표시되어 있습니다. 아래의 차트는 크라운 몰딩 절단을 위해 적합한 설정입니다.

참고: 조각 재료를 사전 테스트를 하는 것이 대단히 중요합니다!

크라उन 몰딩을 평평하게 놓고 절단 및 컴파운드 기능 사용에 대한 지침(그림 V1)

- 몰딩은 보드 뒤쪽 면을 톱날 17의 아래쪽에 둔 상태에서 평평하게 놓아야 합니다.
- 몰딩의 위쪽을 펜스 13 쪽에 놓습니다.
- 아래의 설정은 45° 용수철이 달린 크라운 몰딩을 위한 것입니다.

	안쪽 모서리	바깥쪽 모서리
좌측	베벨 좌측 30° 우측 35.26°의 마이터 테이블 설정 절단면의 좌측 끝 보관	베벨 우측 30° 좌측 35.26°의 마이터 테이블 설정 절단면의 좌측 끝 보관
우측	베벨 우측 30° 좌측 35.26°의 마이터 테이블 설정 절단면의 우측 끝 보관	베벨 좌측 30° 우측 35.26°의 마이터 테이블 설정 절단면의 우측 끝 보관

- 아래의 설정은 상단 52° 각도와 하단 38° 각도의 크라운 몰딩을 위한 것입니다.

	안쪽 모서리	바깥쪽 모서리
좌측	베벨 좌측 33.9° 우측 31.62°의 마이터 테이블 설정 절단면의 좌측 끝 보관	베벨 우측 33.9° 좌측 31.62°의 마이터 테이블 설정 절단면의 좌측 끝 보관
우측	베벨 우측 33.9° 좌측 31.62°의 마이터 테이블 설정 절단면의 우측 끝 보관	베벨 좌측 33.9° 우측 31.62°의 마이터 테이블 설정 절단면의 우측 끝 보관

크라उन 몰딩 절단을 위한 대체 방법

이 방법을 사용한 크라운 몰딩 절단은 베벨 절단이 필요하지 않습니다. 마이터 각도에서의 극미한 변경은 베벨 각도에 영향을 주지 않고 할 수 있습니다. 90° 이외의 모서리를 만났을 때 톱을 빠르고 쉽게 조정할 수 있습니다.

모든 절단용으로 톱의 펜스와 베이스 간 각도를 맞춘 크라운 몰딩 절단을 위한 지침 사항(그림 V2)

- 몰딩의 하부(설치 시 벽 쪽으로 가는 부분)가 펜스 13 쪽에 있고 몰딩의 상부가 톱 테이블 17에 있도록 몰딩의 각도를 맞춥니다.
- 몰딩 뒤쪽에 각이 있는 "플랫"은 펜스와 톱 테이블에 똑바로 놓여 있어야 합니다.

	안쪽 모서리	바깥쪽 모서리
좌측	마이터 우측 45° 절단면의 우측 보관	마이터 좌측 45° 절단면의 우측 보관
우측	마이터 좌측 45° 절단면의 좌측 보관	마이터 우측 45° 절단면의 좌측 보관

특수 절단



경고: 재료가 테이블과 펜스에 대해 고정되지 않을 경우 절대로 절단하지 마십시오.

알루미늄 절단(그림 W1, W2)

항상 알루미늄 절단용으로 특별히 제작된 톱날을 사용하십시오.

특정 작업물의 경우 절단 중 움직임을 방지하기 위해 첩쇠 또는 고정 장치를 사용해야 할 수 있습니다. 그림 W1에서와 같이 가장 얇은 단면도를 절단할 수 있도록 재료의 위치를 정합니다. 그림 W2는 이러한 돌출된 부분을 절단하는 잘못된 방법을 보여주고 있습니다.

알루미늄 절단 시 스틱 왁스 절단 윤활유를 사용하십시오. 절단하기 전에 톱날 46에 직접 스틱 왁스를 바르십시오. 절대로 움직이는 날에 스틱 왁스를 바르지 마십시오. 왁스는 적절한 윤활 기능을 제공하고 파편이 날에 들러붙지 않도록 해줍니다.

굵은 재료(그림 X1, X2)

굵은 재료를 절단할 때는 항상 그림 X1과 같이 위치를 정하고 그림 X2와 같이 절대로 하지 마십시오. 재료의 위치를 잘못 잡으면 날이 깨질 수 있습니다.

플라스틱 파이프 또는 기타 등근 재료 절단

플라스틱 파이프는 톱으로 쉽게 절단할 수 있습니다. 목재와 같이 절단되고 **굴러가지 않도록 펜스에 단단히 필쇠로 고정하거나 받쳐져야 합니다.** 이는 각도 절단물을 만들 때 매우 중요합니다.

대형 재료 절단(그림 Y)

때때로 하부 가드 아래에 맞추기에 너무 큰 나무 조각을 만날 때가 있을 것입니다. 이러한 경우, 그림 Y와 같이 작업물을 알아 볼 수 있도록 가드 ①의 상부 쪽에 우측 엄지손가락을 놓고 가드를 위로 올립니다. 가능한 한 이렇게 하지 말고, 필요할 경우 톱이 올바르게 작동하여 더 크게 절단을 할 수 있습니다. 이 톱을 작동할 때 절대로 목거나, 테이프를 감거나 가드를 열어 놓지 마십시오.

유지 보수

이 전동 공구는 최소한의 유지 보수로 장기간에 걸쳐 작업이 가능하도록 설계되어 있습니다. 만족스러운 연속 작동은 적절한 공구 관리와 정기적인 청소에 따라 그 성능이 달라질 수 있습니다.

경고: 심각한 신체 부상의 위험을 줄이려면 공구를 조정하거나 부착물 또는 액세서리를 제거/설치하기 전에 공구를 끄고 배터리 팩을 분리하십시오. 공구가 갑자기 작동하여 부상을 당할 수 있습니다.

충전기 및 배터리 팩은 수리할 수 없습니다.



유회방법

전동 공구는 별도의 유회 작업이 필요하지 않습니다.



청소

경고: 통풍구 속이나 주변에 먼지가 쌓여있는 것이 보이면 가능한 한 자주 건조한 공기를 이용하여 메인 하우징에서 먼지를 불어내십시오. 이 절차를 수행할 때에는 승인된 보호 장구 및 승인된 방진 마스크를 착용하십시오.

경고: 공구의 금속 이의 부품을 청소할 때는 용제 등의 강력한 화학약품을 절대 사용하지 마십시오. 그렇지 않으면 이러한 부분에 사용된 재료가 약해질 수 있습니다. 헹굼에 물과 순한 비누를 적셔 닦아주십시오. 공구 내부에 액체를 넣거나 공구 부품을 액체에 담그는 행동은 절대 금물입니다.

사용하기 전에 상부 가드, 하부 가드 및 먼지 배관을 확인하여 올바르게 작동되는지 알아보십시오. 조각, 먼지 또는 작업을 입자가 가능 중 하나를 막고 있지 않은지 확인하십시오.

작업물의 파편이 톱날과 가드 사이에 끼인 경우에는 기계에서 배터리 팩을 제거하고 **새 톱날 교환 또는 설치** 색션의 지침을 따르십시오. 움직이지 않는 부품을 제거하고 톱날을 재조립합니다.

주변, 베이스 아래 그리고 회전 테이블 아래에서 먼지와 나무 조각을 정기적으로 청소하십시오.

작업등 청소

- 면봉을 사용하여 작업등 렌즈에서 톱밥과 부스러기를 조심스럽게 닦으십시오. 먼지가 쌓이면 작업등을 차단하여 절단 선이 정확하게 표시되지 않을 수 있습니다.
- 어떤 종류의 용제도 사용하지 마십시오. 렌즈를 손상시킬 수 있습니다.
- 톱에서 날을 제거한 상태에서 날에 쌓인 파편을 청소하십시오.

먼지 배관 청소

톱의 플러그를 뽑고 톱 헤드를 완전히 열린 상태에서, 저압 공기 또는 큰 직경의 장부축을 사용하여 먼지 배관에서 먼지를 청소할 수 있습니다.

선택 액세서리



경고: DEWALT에서 제공되지 않는 액세서리는 이 제품에 테스트되지 않았으므로, 그러한 액세서리를 이 공구와 함께 사용하면 위험할 수 있습니다. 신체 부상의 위험을 줄이려면 본 제품에 알맞은 액세서리만 사용해야 합니다.

해당 액세서리에 대한 자세한 정보는 판매 대리점으로 문의하십시오.

클램프: DW7090-XJ (그림 C)

클램프 39는 작업물을 톱 테이블에 단단히 고정하기 위한 것입니다.

신속 분리 클램프: DWS5026-XJ

먼지주머니: DW7053-QZ (그림 D)

쉽게 비울 수 있도록 지퍼가 달린 먼지주머니 40는 발생한 대부분의 톱밥을 넣을 수 있습니다.

레그 스탠드: DE7023-XJ, DE7033-XJ (그림 E)

레그 스탠드 41는 톱의 테이블 폭을 확장할 때 사용됩니다.

고정 브라켓: DE7025-XJ (그림 F)

고정 브라켓 42은 톱을 스탠드에 장착할 때 사용됩니다.

톱날: 항상 30 mm 정자 구멍이 있는 250 mm 톱날을 사용하십시오. 정격속도는 최소한 4300 RPM이 되어야 합니다. 더 작은 직경의 날을 사용하지 마십시오.

제대로 보호되지 않습니다. 가로 커는 톱날만 사용하십시오! 기용 날, 복합 날 또는 5°를 넘는 고리각도가 있는 날을 사용하지 마십시오.

톱날 설명

용도	직경	치
건축용 톱날(안티스틱 림으로 얇은 절단)		
일반 용도	250 mm	40
미세 크로스컷	250 mm	60
목공 톱날 (매끄럽고 깨끗한 절단면 제공)		
미세 크로스컷	250 mm	80
비철금속	250 mm	96

환경 보호



분리 수거. 이 기호가 표시된 제품과 배터리를 일반 가정용 쓰레기와 함께 처리하면 안됩니다.

제품과 배터리에는 재활용되거나 재사용되고 고철 자원에 대한 수요를 줄일 수 있는 자재가 포함되어 있습니다. 전기 제품과 배터리는 지역 규정에 따라 재활용하십시오. 자세한 내용은 www.2helpU.com에서 찾아 볼 수 있습니다.

충전용 배터리 팩

이전에 쉽게 수행했던 작업에 대해 충분한 힘을 발휘하지 못하는 배터리 팩은 재충전해야 합니다. 배터리 수명이 다하면 환경 보호 차원에서 배터리 팩을 폐기하십시오.

- 배터리 팩을 완전히 사용하고 난 후 공구에서 분리하십시오.
- 리튬이온 셀은 재활용할 수 있습니다. 이 전지를 판매점이나 지역 재활용 센터로 가져가십시오. 수집된 배터리 팩은 재활용되거나 적절히 폐기됩니다.

정비 및 수리

DEWALT는 고객들에게 가장 효율적이고 신뢰할 수 있는 서비스를 제공하기 위하여 훈련된 직원들로 센터를 구성하고 있습니다. 사용자의 안전 및 제품의 신뢰성을 보장하기 위하여 제품의 정비, 유지 보수 및 수리는 반드시 공인된 서비스센터에서 수행해야 합니다. 자격이 없는 곳으로부터 받은 제품의 정비 및 수리는 사용자의 부상 위험 및 불이익을 초래할 수 있습니다. 가까운 DEWALT 서비스센터의 위치를 알아보려면, 제품과 함께 동봉된 전단을 통해 전화번호, 홈페이지 주소 및 기타 연락처 등을 확인할 수 있습니다.

