

DEWALT®

XR®



www.DEWALT.com

DCMPW1600

English (*original instructions*)

5

한국어

17

Fig. A
그림A

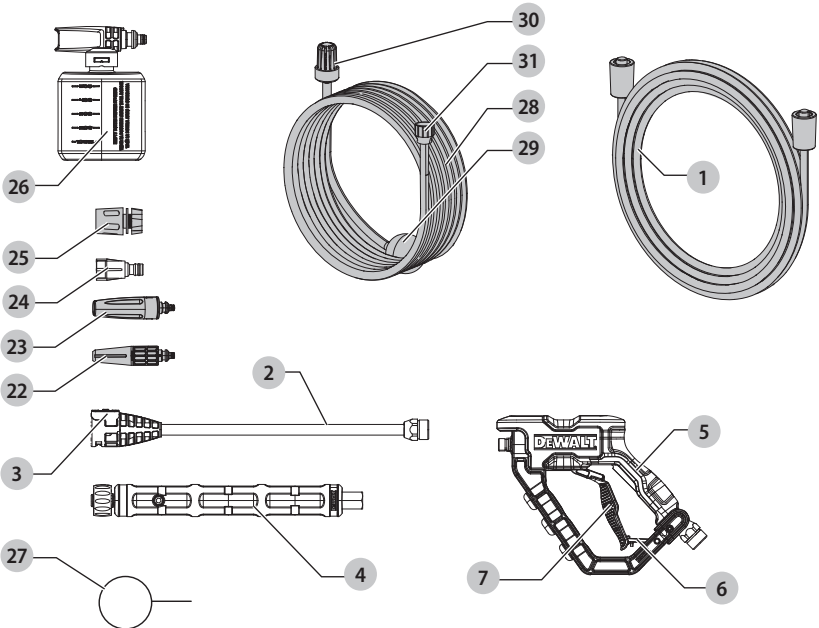
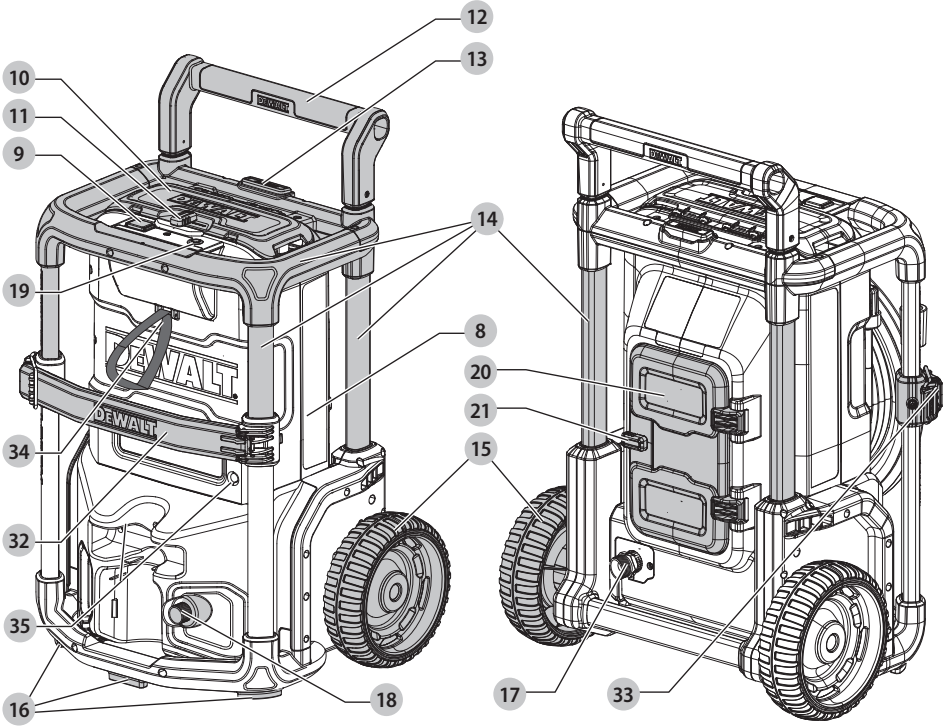


Fig. B

그림 B

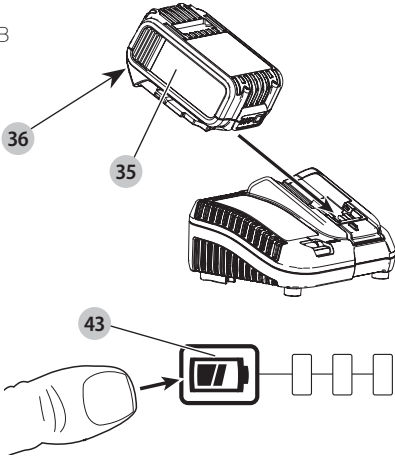


Fig. C

그림 C

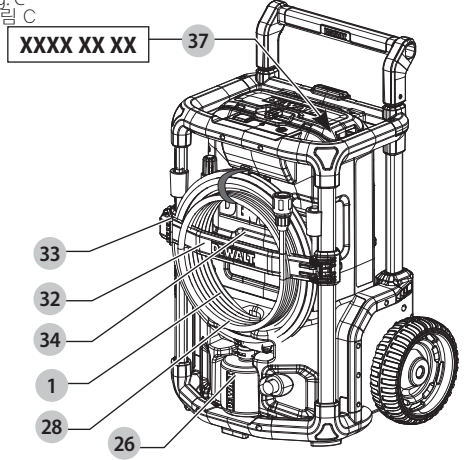


Fig. D

그림 D

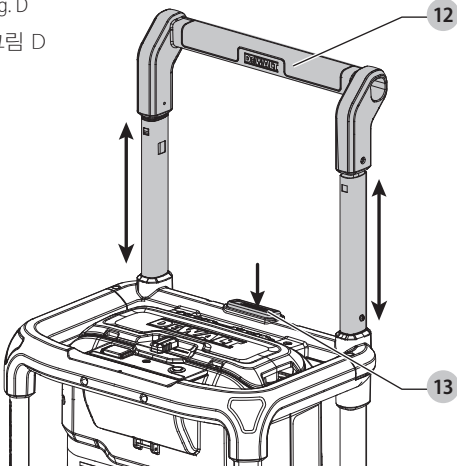


Fig. E

그림 E

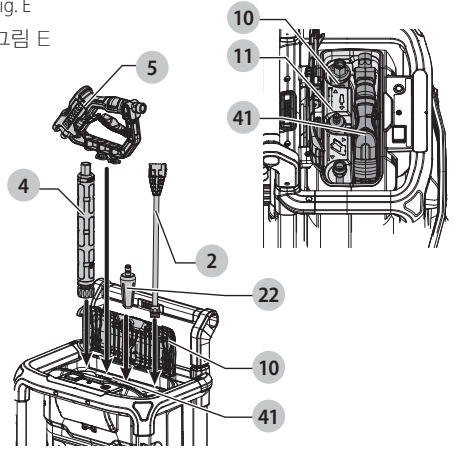


Fig. F

그림 F

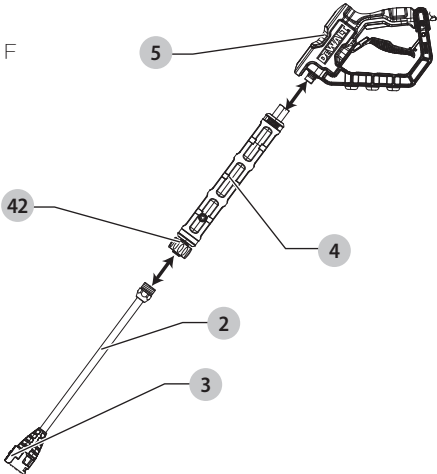


Fig. G

그림 G

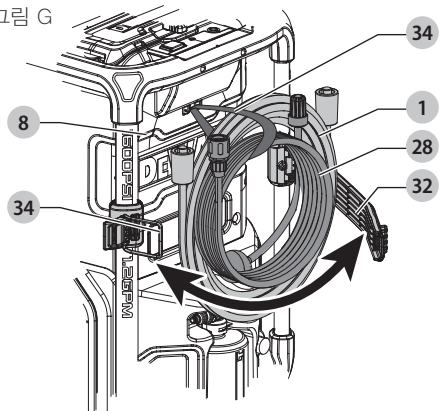


Fig. H
그림 H

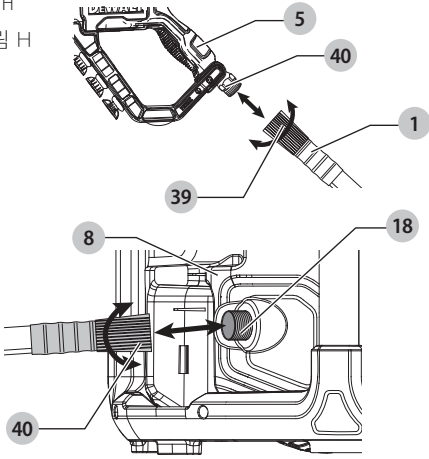


Fig. I
그림 I

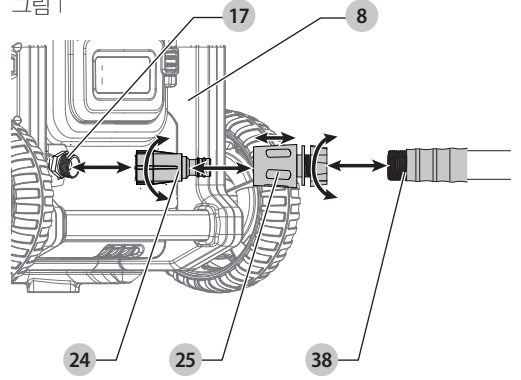


Fig. J
그림 J

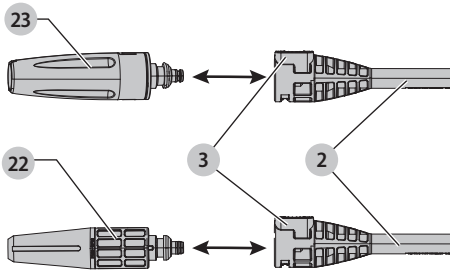


Fig. K
그림 K

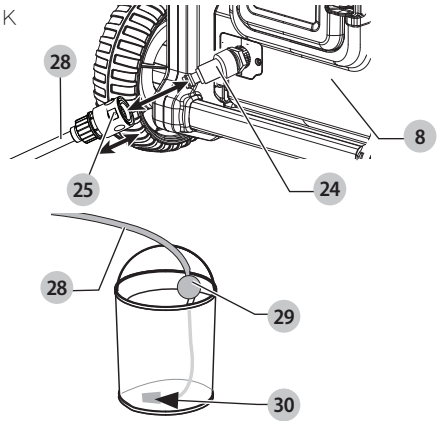


Fig. L
그림 L

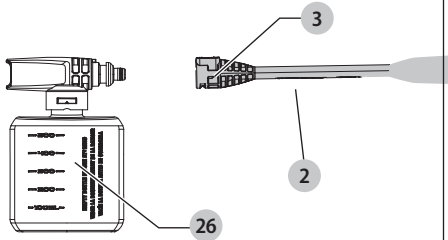


Fig. M
그림 M

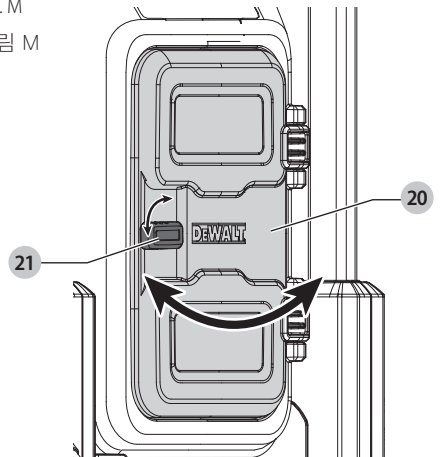


Fig. N
그림 N

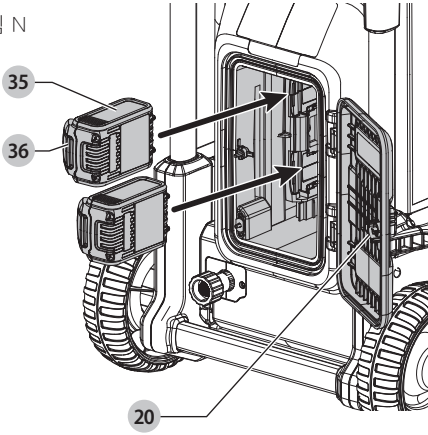


Fig. O
그림 O

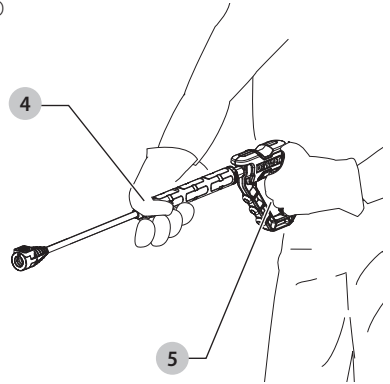


Fig. P
그림 P

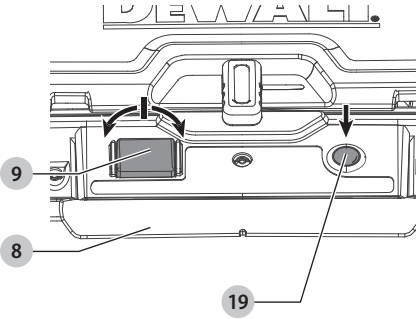


Fig. Q
그림 Q

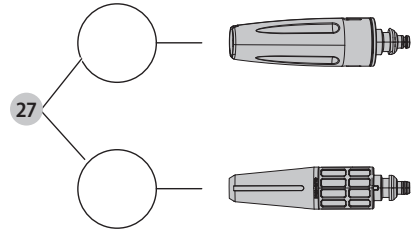


Fig. R
그림 R

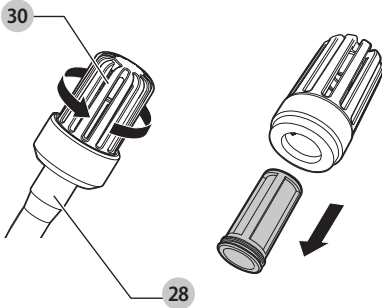
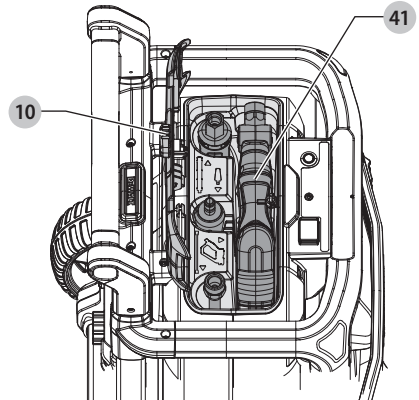


Fig. S
그림 S



CORDLESS PRESSURE CLEANER

DCMPW1600

Congratulations!

You have chosen a DEWALT appliance. Years of experience, thorough product development and innovation make DEWALT one of the most reliable partners for professional appliance users.

Technical Data

	DCMPW1600
Voltage Input	2x18(20 Max) V _{DC}
Battery type	Li-Ion
Rated Flow Rate	4.5 L/min
Max Water Flow Rate	5.5 L/min
Rated Pressure	110 Bar / 1600 PSI / 11 MPa
Maximum Pressure	165 Bar / 2390 PSI / 16.5 MPa
Maximum Inlet Temperature	50 °C
Maximum Input Pressure	1 Mpa (10 Bar)
Prepulsive Force of the Gun to the Maximum Pressure	21N
Motor Protection	IPX5
Inlet Water	Cold clear water
Weight	10,9 kg
Noise values and/or vibration values (triax vector sum) according to EN60335-2-79	

Batteries				Chargers / Charge Times (Minutes)						
Cat#	V _{DC}	Ah	Weight(kg)	DCB104	DCB107	DCB112	DCB115	DCB117 DCB1112	DCB118	DCB132
DCB546/DCB606	18/54 (20/60 Max)	6.0/2.0	1.08	60	270	170	90	40	60	90
DCB547/DCB609	18/54 (20/60 Max)	9.0/3.0	1.46	75*	420	270	135*	60	75*	135*
DCB548/DCB612	18/54 (20/60 Max)	12.0/4.0	1.46	120	540	350	180	80	120	180
DCB549/DCB615	18/54 (20/60 Max)	15.0/5.0	2.12	125	730	450	230	90	125	230
DCB180	18 (20 Max)	3.0	0.62	45	140	90	45	45	45	45
DCB181	18 (20 Max)	1.5	0.35	22	70	45	22	22	22	22
DCB182/DCB204	18 (20 Max)	4.0	0.61	60/40**	185	120	60	60/40**	60/40**	60
DCB183/DCB203	18 (20 Max)	2.0	0.40	30	90	60	30	30	30	30
DCB184/DCB205	18 (20 Max)	5.0	0.62	75/50**	240	150	75	75/50**	75/50**	75
DCB187	18 (20 Max)	3.0	0.54	45	140	90	45	45	45	45
DCB189/DCB240	18 (20 Max)	4.0	0.54	60	185	120	60	60	60	60
DCB186	18 (20 Max)	6.0	0.95	60	270	170	90	60	60	90
DCB208	18 (20 Max)	8.0	0.95	70	360	240	120	70	70	120
DCBP034	18 (20 Max)	1.7	0.32	27	82	50	27	27	27	27

*Date code 201811475B or later

**Date code 201536 or later



WARNING: To reduce the risk of injury, read the instruction manual.

Definitions: Safety Guidelines

The definitions below describe the level of severity for each signal word. Please read the manual and pay attention to these symbols.



DANGER: Indicates an imminently hazardous situation which, if not avoided, **will** result in **death or serious injury**.



WARNING: Indicates a potentially hazardous situation which, if not avoided, **could** result in **death or serious injury**.



CAUTION: Indicates a potentially hazardous situation which, if not avoided, **may** result in **minor or moderate injury**.

NOTICE: Indicates a practice **not related to personal injury** which, if not avoided, **may** result in **property damage**.



Denotes risk of electric shock.



Denotes risk of fire.

IMPORTANT SAFETY INSTRUCTIONS



WARNING: When using this pressure washer, basic safety precautions should always be followed including the following:

- This machine is not intended for use by persons (including children) with reduced physical, sensory or mental capabilities, or lack of experience and knowledge.
- Children should be supervised to ensure that they do not play with the appliance.
- Read all the instructions before using the product.
- To reduce the risk of injury, close supervision is necessary when a product is used near children.
- Know how to stop the product and bleed pressures quickly. Be thoroughly familiar with the controls.
- Stay alert – watch what you are doing.
- Do not operate the product when fatigued or under the influence of alcohol or drugs.
- Keep operating area clear of all persons and animals.
- Do not overreach or stand on unstable support. Keep good footing and balance at all times.
- Follow the maintenance instructions specified in the manual.



WARNING: Risk of injection or injury – do not direct discharge stream at persons or animals.



WARNING: Read this entire manual before attempting to assemble, operate or install the product.



WARNING: This unit was designed for specific applications. It should not be modified and/or used for any application other than that which it was designed.

NOTICE: Always store your pressure washer in a location where the temperature will not fall below 4 °C (40 °F). freeze damage is not covered by the warranty.



WARNING: This machine has been designed for use with the cleaning agent supplied or recommended by the manufacturer. The use of other cleaning agents or chemicals may adversely affect the safety of the machine.



WARNING: During use of high pressure cleaners, aerosols may be formed. Inhalation of aerosols can be hazardous to health.



WARNING: High pressure jets can be dangerous if subject to misuse. The jet must not be directed at persons, live electrical equipment or the machine itself.



WARNING: Do not use the machine within range of persons unless they wear protective clothing.



WARNING: Do not direct the jet against yourself or others in order to clean clothes or foot-wear.



WARNING: Risk of explosion – Do not spray flammable liquids.



WARNING: High pressure cleaners shall not be used by children or untrained personnel.



WARNING: High pressure hoses, fittings and couplings are important for the safety of the machine. Use only hoses, fittings and couplings recommended by the manufacturer.



WARNING: To ensure machine safety, use only original spare parts from the manufacturer or approved by the manufacturer.



WARNING: Water that has flowed through backflow preventers is considered to be nonpotable.



WARNING: the machine shall be disconnected from its power source during cleaning or maintenance and when replacing parts.



WARNING: Do not use the machine if important parts of the machine are damaged, e.g. safety devices, high pressure hoses, trigger gun.



WARNING: Depending on the application, shielded nozzles can be used for high pressure cleaning, which will reduce the emission of hydrous aerosols dramatically. However, not all applications allow the use of such a device. If shielded nozzles are not applicable for the protection against aerosols, a respiratory mask of class FFP 2 or equivalent may be needed, depending on the cleaning environment.



According to the applicable regulations, the appliance must never be used on the drinking water network without a system separator. Use a separator as per IEC 61770. Water flowing through a system separator is considered not drinkable.

1. **Do not touch plug or outlet with wet hands.**
2. **Avoid accidental starts.** Move switch on unit to OFF position before connecting or disconnecting cord to electrical outlets.
3. Water spray must never be directed towards any electric wiring or directly towards the pressure washer machine itself or fatal electric shock may occur.
4. **The narrow pin point stream is very powerful.** It is not recommended for use on painted surfaces, wood surfaces or items attached with an adhesive backing.
5. **Keep operating area clear of all persons and animals.**

6. **Always use both hands when operating pressure washer to maintain complete control of the wand.**
7. **Do not touch nozzle or water spray while operating.**
Never place hands in front of nozzle.
8. **Wear safety goggles while operating.** Wear protective clothing and footwear to protect against accidental spraying.
9. **Disconnect power plug from the outlet when not in use and prior to the detaching of the high pressure hose.**
10. **Never tie knots or kink the high pressure hose as damage could result. Inspect the high pressure hose regularly. Replace the hose immediately if it is damaged, worn or shows any signs of cracks, bubbles, pinholes, or other leakage.** Never grasp a high-pressure hose that is leaking or damaged.
11. **Do not operate or store this product in temperatures below 4 °C (40 °F).** Freeze damage is not covered by the warranty.
12. **Carefully observe all chemical instructions and warnings before using. Use only approved pressure washer cleaners. Do not use bleach, chlorine, or any cleaners containing acids. Always follow manufacturer's label recommendations for proper use of cleaners.** Always protect eyes, skin and respiratory system from cleaners.
13. **The pressure washer should not be used in areas where gas vapors may be present.** An electric spark could cause an explosion or fire.
14. **To minimize the amount of water getting into the pressure washer, the unit should be placed as far as possible from the cleaning site during operation.**
15. **To prevent accidental discharge, the spray gun should be secured by locking the trigger when not in use.**
16. **To allow free air circulation, the pressure washer should NOT be covered during operation.**
17. **Never touch, grasp or attempt to cover a pinhole or similar water leak on the high-pressure hose.** The stream of water is under high pressure and WILL penetrate skin.
18. **Use only hoses and accessories rated for pressure higher than your pressure washer's PSI / Bar.** Never use with any other manufacturer's accessories or components.
19. **Never defeat the safety features of this product.**
20. **Do not operate machine with missing, broken or unauthorised parts.**
21. **Never spray flammable liquids or use pressure washer in areas containing combustible dust, liquid, or vapors.**

Safety of others

- This appliance is not intended for use by persons (including children) with reduced physical, sensory or mental capabilities, or lack of experience and knowledge, unless they have been given supervision or instruction concerning use of the appliance by a person responsible for their safety.
- Children should be supervised to ensure that they do not play with the appliance.

Vibration

The declared vibration emission values stated in the technical data and the declaration of conformity have been measured in accordance with a standard test method provided by EN60335-2-79 and may be used for comparing one appliance with another. The declared vibration emission value may also be used in a preliminary assessment of exposure.



WARNING: The vibration emission value during actual use of the Pressure Washer can differ from the declared value depending on the ways in which the appliance is used. The vibration level may increase above the level stated.

When assessing vibration exposure to determine safety measures required by 2002/44/EC to protect persons regularly using appliances in employment, an estimation of vibration exposure should consider, the actual conditions of use and the way the appliance is used, including taking account of all parts of the operating cycle such as the times when the appliance is switched off and when it is running idle in addition to the trigger time.

Residual Risks

In spite of the application of the relevant safety regulations and the implementation of safety devices, certain residual risks cannot be avoided. These are:

- Impairment of hearing.
- Risk of personal injury due to flying particles.
- Risk of burns due to accessories becoming hot during operation.
- Risk of personal injury due to prolonged use.

SAVE THESE INSTRUCTIONS

Chargers

DeWALT chargers require no adjustment and are designed to be as easy as possible to operate.

Electrical Safety

The electric motor has been designed for one voltage only. Always check that the battery pack voltage corresponds to the voltage on the rating plate. Also make sure that the voltage of your charger corresponds to that of your mains.



Your DeWALT charger is double insulated in accordance with IEC60335; therefore, no earth wire is required.

If the supply cord is damaged, it must be replaced only by DeWALT or an authorised service organisation.





Using an Extension Cable

An extension cord should not be used unless absolutely necessary. Use an approved extension cable suitable for the power input of your charger (refer to **Technical Data**). The minimum conductor size is 1 mm²; the maximum length is 30 m. When using a cable reel, always unwind the cable completely.

Important Safety Instructions for All Battery Chargers

SAVE THESE INSTRUCTIONS: This manual contains important safety and operating instructions for compatible battery

chargers (refer to **Technical Data**). Before using charger, read all instructions and cautionary markings on charger, battery pack, and product using battery pack.

-  **WARNING:** Shock hazard. Do not allow any liquid to get inside charger. Electric shock may result.
-  **WARNING:** We recommend the use of a residual current device with a residual current rating of 30 mA or less.
-  **CAUTION:** Burn hazard. To reduce the risk of injury, charge only DEWALT rechargeable batteries. Other types of batteries may burst, causing personal injury and damage.
-  **CAUTION:** Children should be supervised to ensure that they do not play with the appliance.
- NOTICE:** Under certain conditions, with the charger plugged into the power supply, the exposed charging contacts inside the charger can be shorted by foreign material. Foreign materials of a conductive nature such as, but not limited to, steel wool, aluminum foil or any buildup of metallic particles should be kept away from charger cavities. Always unplug the charger from the power supply when there is no battery pack in the cavity. Unplug charger before attempting to clean.
- **DO NOT attempt to charge the battery pack with any chargers other than the ones in this manual.** The charger and battery pack are specifically designed to work together.
- **These chargers are not intended for any uses other than charging DEWALT rechargeable batteries.** Any other uses may result in risk of fire, electric shock or electrocution.
- **Do not expose charger to rain or snow.**
- **Pull by plug rather than cord when disconnecting charger.** This will reduce risk of damage to electric plug and cord.
- **Make sure that cord is located so that it will not be stepped on, tripped over, or otherwise subjected to damage or stress.**
- **Do not use an extension cord unless it is absolutely necessary.** Use of improper extension cord could result in risk of fire, electric shock, or electrocution.
- **Do not place any object on top of charger or place the charger on a soft surface that might block the ventilation slots and result in excessive internal heat.** Place the charger in a position away from any heat source. The charger is ventilated through slots in the top and the bottom of the housing.
- **Do not operate charger with damaged cord or plug—** have them replaced immediately.
- **Do not operate charger if it has received a sharp blow, been dropped, or otherwise damaged in any way.** Take it to an authorised service centre.
- **Do not disassemble charger; take it to an authorised service centre when service or repair is required.** Incorrect reassembly may result in a risk of electric shock, electrocution or fire.
- **In case of damaged power supply cord, the supply cord must be replaced immediately by the manufacturer, its service agent or similar qualified person to prevent any hazard.**

- **Disconnect the charger from the outlet before attempting any cleaning. This will reduce the risk of electric shock.** Removing the battery pack will not reduce this risk.
- **NEVER** attempt to connect two chargers together.
- **The charger is designed to operate on standard 220V-240V household electrical power. Do not attempt to use it on any other voltage.** This does not apply to the vehicular charger.

Charging a Battery (Fig. B)












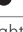
NOTE: To ensure maximum performance and life of lithium-ion battery packs, charge the battery pack fully before first use.

1. Plug the charger into an appropriate outlet before inserting battery pack.
2. Insert the battery pack into the charger, making sure the battery pack is fully seated in the charger. The red (charging) light will blink repeatedly indicating that the charging process has started.
3. The Stage 1 Charging blink indicator represents the charge process that charges the majority of the battery's capacity. Stage 2 Charging blink indicator represents the remainder, or top off charge process, for the battery to reach full capacity.
4. The completion of charge for Stage 1 or Stage 2 will be indicated by the Stage's light remaining ON continuously. The battery pack is fully charged when both Stage 1 and Stage 2 Charging lights remain ON continuously, and it may be removed and used at this time or left in the charger.

NOTE: To remove the battery pack, some chargers require the battery pack release button to be pressed.

Charger Operation

Refer to the indicators below for the charge status of the battery pack.

Indicators			
	Stage 1 Charging		
	Stage 2 Charging		
	Fully Charged		
	Hot/Cold Pack Delay*		

*The red light will continue to blink, but a yellow indicator light will be illuminated during this operation. Once the battery pack has reached an appropriate temperature, the yellow light will turn off and the charger will resume the charging procedure.

The compatible charger(s) will not charge a faulty battery pack. The charger will indicate faulty battery by refusing to light.

NOTE: This could also mean a problem with a charger.

If the charger indicates a problem, take the charger and battery pack to be tested at an authorised service centre.

Hot/Cold Pack Delay

When the charger detects a battery pack that is too hot or too cold, it automatically starts a Hot/Cold Pack Delay, suspending

charging until the battery pack has reached an appropriate temperature. The charger then automatically switches to the pack charging mode. This feature ensures maximum battery pack life.

A cold battery pack will charge at a slower rate than a warm battery pack. The battery pack will charge at that slower rate throughout the entire charging cycle and will not return to maximum charge rate even if the battery pack warms.

The DCB118 charger is equipped with an internal fan designed to cool the battery pack. The fan will turn on automatically when the battery pack needs to be cooled. Never operate the charger if the fan does not operate properly or if ventilation slots are blocked. Do not permit foreign objects to enter the interior of the charger.

Electronic Protection System

XR Li-Ion appliances are designed with an Electronic Protection System that will protect the battery pack against overloading, overheating or deep discharge.

The appliance will automatically turn off if the Electronic Protection System engages. If this occurs, place the lithium-ion battery pack in the charger until it is fully charged.

Wall Mounting

These chargers are designed to be wall mountable or to sit upright on a table or work surface. If wall mounting, locate the charger within reach of an electrical outlet, and away from a corner or other obstructions which may impede air flow. Use the back of the charger as a template for the location of the mounting screws on the wall. Mount the charger securely using drywall screws (purchased separately) at least 25.4 mm long with a screw head diameter of 7–9 mm, screwed into wood to an optimal depth leaving approximately 5.5 mm of the screw exposed. Align the slots on the back of the charger with the exposed screws and fully engage them in the slots.

Charger Cleaning Instructions



WARNING: Shock hazard. Disconnect the charger from the AC outlet before cleaning. Dirt and grease may be removed from the exterior of the charger using a cloth or soft non-metallic brush. Do not use water or any cleaning solutions. Never let any liquid get inside the appliance; never immerse any part of the appliance into a liquid.

Battery Packs

Important Safety Instructions for All Battery Packs

When ordering replacement battery packs, be sure to include catalogue number and voltage.

The battery pack is not fully charged out of the carton. Before using the battery pack and charger, read the safety instructions below. Then follow charging procedures outlined.

READ ALL INSTRUCTIONS

- **Do not charge or use battery in explosive atmospheres, such as in the presence of flammable liquids, gases or dust.** Inserting or removing the battery from the charger may ignite the dust or fumes.
- **Never force battery pack into charger. Do not modify battery pack in any way to fit into a non-compatible**

charger as battery pack may rupture, causing serious personal injury.

- Charge the battery packs only in DeWALT chargers.
- **DO NOT splash or immerse in water or other liquids.**
- **Do not store or use the appliance and battery pack in locations where the temperature may fall below 4 °C (39.2 °F) (such as outside sheds or metal buildings in winter), or reach or exceed 40 °C (104 °F) (such as outside sheds or metal buildings in summer).**
- **Do not incinerate the battery pack even if it is severely damaged or is completely worn out.** The battery pack can explode in a fire. Toxic fumes and materials are created when lithium-ion battery packs are burned.
- **If battery contents come into contact with the skin, immediately wash area with mild soap and water.** If battery liquid gets into the eye, rinse water over the open eye for 15 minutes or until irritation ceases. If medical attention is needed, the battery electrolyte is composed of a mixture of liquid organic carbonates and lithium salts.
- **Contents of opened battery cells may cause respiratory irritation.** Provide fresh air. If symptoms persist, seek medical attention.



WARNING: Burn hazard. Battery liquid may be flammable if exposed to spark or flame.



WARNING: Never attempt to open the battery pack for any reason. If battery pack case is cracked or damaged, do not insert into charger. Do not crush, drop or damage battery pack. Do not use a battery pack or charger that has received a sharp blow, been dropped, run over or damaged in any way (i.e., pierced with a nail, hit with a hammer, stepped on). Electric shock or electrocution may result. Damaged battery packs should be returned to service centre for recycling.



WARNING: Fire hazard. Do not store or carry the battery pack so that metal objects can contact exposed battery terminals. For example, do not place the battery pack in aprons, pockets, appliance boxes, product kit boxes, drawers, etc., with loose nails, screws, keys, etc.



CAUTION: When not in use, place appliance on its side on a stable surface where it will not cause a tripping



or falling hazard. Some appliances with large battery packs will stand upright on the battery pack but may be easily knocked over.

Transportation



WARNING: Fire hazard. Transporting batteries can possibly cause fire if the battery terminals inadvertently come into contact with conductive materials. When transporting batteries, make sure that the battery terminals are protected and well-insulated from materials that could contact them and cause a short circuit. **NOTE:** Lithium-ion batteries should not be put in checked baggage.

DeWALT batteries comply with all applicable shipping regulations as prescribed by industry and legal standards, which include UN Recommendations on the Transport of Dangerous Goods; International Air Transport Association (IATA) Dangerous Goods Regulations; International Maritime Dangerous Goods (IMDG) Regulations; and the European Agreement Concerning The International Carriage of Dangerous Goods by Road (ADR). Lithium-ion cells and batteries have been tested to section 38.3 of the UN Recommendations on the Transport of Dangerous Goods Manual of Tests and Criteria.

In most instances, shipping a DeWALT battery pack will be excepted from being classified as a fully regulated Class 9 Hazardous Material. In general, only shipments containing a lithium-ion battery with an energy rating greater than 100 Watt Hours (Wh) will require being shipped as fully regulated Class 9. All lithium-ion batteries have the Wh rating marked on the pack. Furthermore, due to regulation complexities, DeWALT does not recommend air shipping lithium-ion battery packs alone regardless of Wh rating. Shipments of appliances with batteries (combo kits) can be air shipped as excepted if the Wh rating of the battery pack is no greater than 100 Wh.

Regardless of whether a shipment is considered excepted or fully regulated, it is the shipper's responsibility to consult the latest regulations for packaging, labeling/marketing and documentation requirements.

The information provided in this section of the manual is provided in good faith and believed to be accurate at the time the document was created. However, no warranty, expressed or implied, is given. It is the buyer's responsibility to ensure that its activities comply with the applicable regulations.

Transporting the FLEXVOLT™ Battery

The DeWALT FLEXVOLT® battery has two modes: **Use** and **Transport**.

Use Mode: When the FLEXVOLT™ battery stands alone or is in a DeWALT 18V(20V Max) product, it will operate as an 18V(20V Max) battery. When the FLEXVOLT™ battery is in a 54V(60V Max) or a 108V(120V Max) (two 54V(60V Max) batteries) product, it will operate as a 54V(60V Max) battery.

Transport Mode: When the cap is attached to the FLEXVOLT™ battery, the battery is in Transport mode. Keep the cap for shipping.

When in Transport mode, strings of cells are electrically disconnected within the pack, resulting in 3 batteries with a lower Watt hour (Wh) rating as compared to 1 battery with a higher Watt hour rating. This increased quantity of 3 batteries with the lower Watt hour rating can exempt the pack from certain shipping regulations that are imposed upon the higher Watt hour batteries.

For example, the Transport Wh rating might indicate 3 x 36 Wh, meaning 3 batteries of 36 Wh each. The Use Wh rating might indicate 108 Wh (1 battery implied).



Storage Recommendations

1. The best storage place is one that is cool and dry away from direct sunlight and excessive heat or cold. For optimum battery performance and life, store battery packs at room temperature when not in use.
2. For long storage, it is recommended to store a fully charged battery pack in a cool, dry place out of the charger for optimal results.

NOTE: Battery packs should not be stored completely depleted of charge. The battery pack will need to be recharged before use.

Labels on Charger and Battery Pack

In addition to the pictographs used in this manual, the labels on the charger and the battery pack may show the following pictographs:



Read instruction manual before use.



Refer to **Technical Data** for charging time.



Do not probe with conductive objects.



Do not charge damaged battery packs.



Do not expose to water.



Have defective cords replaced immediately.



Charge only between 4 °C and 40 °C.



Only for indoor use.



Discard the battery pack with due care for the environment.



Charge DeWALT battery packs only with designated DeWALT chargers. Charging battery packs other than the designated DeWALT batteries with a DeWALT charger may make them burst or lead to other dangerous situations.



Do not incinerate the battery pack.



USE (without transport cap). Example: Wh rating indicates 108 Wh (1 battery with 108 Wh).



TRANSPORT (with built-in transport cap). Example: Wh rating indicates 3 x 36 Wh (3 batteries of 36 Wh).

Battery Type

This DCMPW1600 is designed to operate on two 18 (20 Max)-volt battery packs of equal capacity. The DCMPW1600 will not

operate on a single battery pack, and if using different capacity 18 (20 Max)-volt battery packs, the lower capacity battery pack, when depleted, will cause the unit to turn off. For optimum performance and runtime, we recommend using DCB547 9.0 AH battery packs. **NOTE:** For best results, make sure both of your battery packs are fully charged.

Refer to **Technical Data** for more information.

Package Contents

The package contains:

- 1 Pressure washer unit
- 1 Spray handle
- 1 Spray wand
- 1 High pressure hose
- 1 Self priming suction hose
- 1 High pressure foam cannon
- 1 Water inlet filter
- 1 Adjustable spray nozzle
- 1 Turbo nozzle
- 1 Nozzle cleaning appliance
- 1 Universal hose connector
- 1 Li-Ion battery pack
- 1 Instruction manual

NOTE: Battery packs, chargers and kitboxes are not included with N models. Battery packs and chargers are not included with NT models. B models include Bluetooth® battery packs.

NOTE: The Bluetooth® word mark and logos are registered trademarks owned by the Bluetooth®, SIG, Inc. and any use of such marks by DEWALT is under license. Other trademarks and trade names are those of their respective owners.

- Check for damage to the appliance, parts or accessories which may have occurred during transport.
- Take the time to thoroughly read and understand this manual prior to operation.

Markings on Tool

The following pictograms are shown on the appliance:



Warning! To reduce the risk of injury, the user must read the instruction manual.



Wear eye protection.



Wear ear protection.



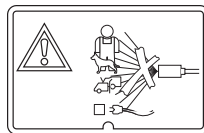
Machine not suitable for connection to the potable water mains.



Directive 2000/14/EC guaranteed sound power.
DCMPW1600



Always remove the battery from the appliance before performing any cleaning or maintenance.



Never direct the water jet at people, animals, the machine or electric components

Date Code Position (Fig. B)

The production date code **37** consists of a 4-digit year followed by a 2-digit week and is extended by a 2-digit factory code.

Description (Fig. A)

WARNING: Never modify the appliance or any part of it. Damage or personal injury could result.

- 1 High pressure hose
- 2 Spray wand
- 3 Nozzle button
- 4 Spray handle
- 5 Handle grip
- 6 Trigger lock-off
- 7 Trigger
- 8 Pressure washer unit
- 9 Speed selector switch
- 10 Storage door
- 11 Door latch
- 12 Telescoping handle
- 13 Handle release button
- 14 Cage
- 15 Transport wheels
- 16 Feet
- 17 Garden hose water intake
- 18 High pressure water outlet
- 19 Boost button
- 20 Battery port door
- 21 Battery door latch
- 22 Turbo nozzle
- 23 Adjustable spray nozzle
- 24 Water inlet filter
- 25 Quick connect hose adapter
- 26 High pressure foam cannon
- 27 Nozzle cleaning appliance
- 28 Self priming suction hose
- 29 Float ball
- 30 Suction hose filter
- 31 Suction hose collar
- 32 Hose storage brace
- 33 Hose storage latch
- 34 Hose storage strap
- 35 Drain holes

Intended Use

This pressure washer is intended for cleaning boats, cars, decks, driveways, grills, house siding, motorcycles, patios, and outdoor furniture.

DO NOT use under wet conditions or in the presence of flammable liquids or gases.

DO NOT let children come into contact with the appliance. Supervision is required when inexperienced operators use this appliance.

- **Young children and the infirm.** This appliance is not intended for use by young children or infirm persons without supervision.
- This product is not intended for use by persons (including children) suffering from diminished physical, sensory or mental abilities; lack of experience, knowledge or skills unless they are supervised by a person responsible for their safety. Children should never be left alone with this product.

ASSEMBLY AND ADJUSTMENTS



WARNING: To reduce the risk of serious personal injury, turn appliance off and disconnect battery pack before making any adjustments or removing/installing attachments or accessories. An accidental start-up can cause injury.



WARNING: Use only DEWALT batteries and chargers.

Cage Carrying Handles (Fig. C)

This pressure washer has a protective cage that protects the pressure washer from daily jobsite wear and tear but also provides multiple carry handle **14** options. Carry the pressure washer using whichever part of the cage that is convenient for your application.

DO NOT attempt to carry the pressure washer by the hose storage brace **32** or telescoping handle **12**.

Telescoping Handle (Fig. A, D)

This pressure washer has a convenient, built in telescoping handle and transport wheels.

1. To unlock the telescoping handle **12**, press the handle release button **13** and slide the handle upwards. You will hear an audible click when it snaps into position.
2. To store the telescoping handle **12**, press the handle release button **13** and slide the telescoping handle down and into the pressure washer body. You will hear an audible click when it snaps into position.
3. To move the pressure washer **8**, tilt the unit so the transport wheels **15** are touching the ground and pull the unit by the telescoping handle.

Accessory Storage Compartment (Fig. E)

This pressure washer has a built in accessory storage compartment **41** to carry the spray wand, spray handle, handle grip and nozzles.

1. To unlock the storage door **10**, rotate the door latch **11** counterclockwise and flip the door open to access the

spray wand **2**, spray handle **4**, handle grip **5**, turbo nozzle **22** and adjustable spray nozzle **23**.

2. To lock the storage door **10**, place the storage door in the closed position. Rotate the door latch **11** clockwise to lock the storage door into position.

Assembling Spray Wand (Fig. F)

1. To connect the spray handle **4** to the handle grip **5**, insert the threaded end of the spray handle onto the threaded end of the handle grip. Rotate the spray handle **4** clockwise until fully tightened.
2. To connect the spray wand **2** to the spray handle **4**, insert the threaded end of the spray wand into the threaded collar **42** of the spray handle. Rotate the threaded collar **42** clockwise until fully tightened.

High Pressure and Suction Hose Storage (Fig. G)

This pressure washer has a built in storage area to carry the high pressure hose. The coiled hose is secured between the hose storage brace **32** and the pressure washer unit **8**.

1. To access the high pressure hose **1** or the suction hose **28**, unlock the hose storage latch **33** and swing the hose storage brace **32** away from the pressure washer unit **8**.
2. Unwrap the hose storage strap **34** and remove the hose from the pressure washer unit **8**.
3. Swing the hose storage brace **32** closed and lock the hose storage latch **33** securing the hose storage brace **32** to the pressure washer unit **8**.

Attaching High Pressure Hose (Fig. H)



CAUTION: NEVER PULL WATER SUPPLY HOSE TO MOVE pressure washer. This could damage hose and/or pump inlet.

NOTE: Uncoil the high pressure hose **1** before installation to prevent kinks.

NOTE: Avoid cross threading when installing the hose. Cross threading will cause leaks.

1. To connect the high pressure hose **1** to the handle grip **5**, thread the hose collar **39** onto the inlet coupler **40**.
2. To connect the high pressure hose to the pressure washer unit **8**, thread the hose collar **40** onto the high pressure water outlet **18**.


Attaching Garden Hose (Fig. I)


NOTE: Before connecting the garden hose to the pressure washer unit, run water through the garden hose for thirty seconds to clear any debris from inside the garden hose.

1. To connect the garden hose **38** to the pressure washer **8**, first screw the water inlet filter **24** onto the water intake **17**.
2. Unscrew the base of the quick connect hose adapter **25** and slide the base over the hose. Push the hose into the quick connect hose adapter until it stops. Screw the base onto the quick connect hose adapter **25** to clamp the hose into the quick connect hose adapter **25**.
3. Push the quick connect hose adapter **25** into the water inlet filter **24** until it "clicks".

NOTE: Always disconnect the garden hose after usage.

Attaching Nozzles (Fig. J)

 **DANGER:** Risk of fluid injection. Do not direct discharge stream toward persons, unprotected skin, eyes or any pets or animals. Serious injury will occur.

 **WARNING:** Flying objects could cause risk of serious injury. DO NOT attempt to change nozzles while pressure washer is running. Turn pressure washer unit OFF before changing nozzles.

1. To connect a nozzle to the spray wand **2** depress the nozzle button **3** on the spray wand and insert the appropriate nozzle.
2. Release the nozzle button **3** to lock the nozzle in place.
3. Give the nozzle a firm tug to ensure the nozzle is locked into place.

Nozzle Types	Suitable Applications
Adjustable Nozzle	For gentle wide angle cleaning
Turbo Nozzle	For abrasive cleaning

NOTE: The turbo nozzle **22** is suitable for cleaning concrete and masonry. It is not recommended to use this nozzle for vehicle cleaning as it can cause damage to the surface.

Adjusting Spray Pattern of the Adjustable Nozzle (Fig. J)

The angle of spray coming out of the nozzle may be adjusted by rotating the nozzle. This will vary the spray pattern from approximately a 0° narrow high impact stream to a 60° wide fan spray.

- A narrow pencil jet stream distributes the impact of the water in a concentrated area, resulting in a high impact force on the cleaning surface. Use a narrow pencil jet stream for deep cleaning in a concentrated area. However, use it cautiously, as it may damage some surfaces. A wide fan pattern distributes the impact of the water over a larger area, resulting in excellent cleaning action with a reduced risk of surface damage. Large surface areas can be cleaned more quickly using a wide fan pattern.

To Attach the Self Priming Suction Hose (Fig. K)

Use the self priming suction hose to pull water from a bucket or other fresh water source.

NOTICE: Do not use to suction soap, chemicals, dirty or corrosive liquids, such as window cleaner, plant food, fertilizers or bleach. Do not use with salt water.

NOTE: Avoid cross threading when installing the self priming suction hose **28**. Cross threading will cause leaks.

1. To connect the self priming suction hose **28** to the pressure washer unit **8**, thread the suction hose collar **31** onto the water intake **17**.
2. Securely tighten the suction hose collar **31** by hand.
NOTE: Always disconnect the suction hose after usage.
3. Place other end of suction hose, with the filter **30** on it, into a container of fresh water or a fresh water source.
4. Adjust the float ball **29** on the suction hose so the filter **30** stays covered in the liquid.

5. Select the correct nozzle to be used. **Attaching Nozzles**

6. After the job being performed is complete, place the suction hose into a container of clean water and draw the clean water through the system to rinse.

NOTE: When using the self priming suction hose, it may take a few minutes for the pressure washer to self prime. Ensure the pressure washer is turned on and the trigger on the spray wand it being pulled until primed.


Attaching High Pressure Foam Cannon (Fig. L)


1. To connect the high pressure foam cannon **26** to the spray wand **2**, press the nozzle button **3** and insert the foam cannon.
2. Release the nozzle button **3** to lock the high pressure foam cannon **26** in place.
3. Give the high pressure foam cannon **26** a firm tug after to ensure it is locked into place.

NOTE: The foam cannon should be positioned underneath the spray wand. Do not position the high pressure foam cannon above the spray wand as this will lead to soap dripping on the spray wand. The spray tip on the high pressure foam cannon **26** rotates for vertical or horizontal application.

OPERATION

Instructions for Use

 **WARNING:** Always observe the safety instructions and applicable regulations.


 **WARNING:** To reduce the risk of serious personal injury, turn appliance off and disconnect battery pack before making any adjustments or removing/installing attachments or accessories. An accidental start-up can cause injury.


Installing and Removing the Battery Packs (Fig. M, N)


This pressure washer is designed to operate on two battery packs of equal capacity. The pressure washer will not operate on a single battery pack, and if using different capacity battery packs, the smaller capacity battery pack, when depleted, will cause the unit to turn off.

NOTE: For best results, make sure your battery packs are both fully charged.

To Install the Battery Packs

 **WARNING:** Ensure speed selector switch is in the OFF, centered position, before installing battery packs.

 **CAUTION:** Unit stops running when the battery port door is open. If the speed selector switch is in the HI or LO position the unit will power ON when the battery port door closes.

 **CAUTION:** Do not hold the trigger when closing the battery port door.

1. Unlock the battery port door **20**, rotate the battery port door latch **21** counterclockwise and swing the battery port door open to access the battery port.

- Align the battery packs **35** with the rails inside the battery port and slide them in until the battery packs are firmly seated in the appliance and ensure that they will not disengage.
- Lock the battery port door **20**, close the battery port door **20** so it seals to the pressure washer unit **8**.
- Rotate the battery port door latch **21** clockwise to lock the battery port door. Ensure the battery port door is fully latched into position before starting appliance.
NOTE: The unit will not operate if the battery port door is not fully closed and latched.

To Remove the Battery Packs

- Rotate the battery port door latch **21** counterclockwise and pull the battery port door open to access the battery packs **35**.
- Press the battery release buttons **36** on the battery packs **35** and firmly pull the battery packs out of appliance.
- Insert the batteries into a charger as described in the charger section of this manual.
- Close the battery port door **20** so it seals to the pressure washer unit **8** and lock it. Ensure the battery port door is fully latched into position.

Fuel Gauge Battery Packs (Fig. B)

Some DEWALT battery packs include a fuel gauge, which consists of three green LED lights that indicate the level of charge remaining in the battery pack.

To actuate the fuel gauge, press and hold the fuel gauge button **43**. A combination of the three green LED lights will illuminate, designating the level of charge left. When the level of charge in the battery is below the usable limit, the fuel gauge will not illuminate and the battery will need to be recharged.

NOTE: The fuel gauge is only an indication of the charge left on the battery pack. It does not indicate appliance functionality and is subject to variation based on product components, temperature and end-user application.

Proper Hand Position (Fig. 0)



WARNING: To reduce the risk of serious personal injury, ALWAYS use proper hand position as shown.



WARNING: To reduce the risk of serious personal injury, ALWAYS hold securely in anticipation of a sudden reaction.

Proper hand position requires one hand on the spray handle grip **5** and the other hand on the spray handle **4**.

Correct Pressure Washer Unit Position (Fig. A, C)



CAUTION: Before operation:

Always keep the unit right-side up with its feet **16** and wheels **15** on the ground as shown in Fig. C.

NOTE: Never attempt to use the pressure washer while standing vertically, on its side, or flipped over on the ground.

Speed Selector Switch (Fig. A, P)

This pressure washer gives you the choice to operate at a high pressure or lower pressure for more delicate jobs, and can also boost pressure for high-performance cleaning.

The speed selector switch **9** toggles to three positions;

- Off, centered.
- HI, right side.
- LO, left side.

To turn the pressure washer ON, toggle the speed selector switch **9** to the right or left positions.

To turn the pressure washer OFF, toggle the speed selector switch **9** to the center position.

For higher pressure washing, press the speed selector switch **9** to the right to the "HI" position. This mode is best for applications that need higher pressure/Bar.

For lower pressure washing, press the speed selector switch **9** to the left to the "LO" position. This mode is best for projects that require a more delicate cleaning. This mode also generally offers more runtime.

NOTE: When in "HI" mode, runtime will be decreased as compared to when pressure washer is in "LO" mode.

To activate Boost mode, press the boost button **19**, the green LED will illuminate when activated. This mode is best for applications that require maximum available Bar.

NOTE: Boost mode will only function for up to ten minutes. You can press the boost button **19** again to exit boost mode before ten minutes and you will go back to the mode the speed selector switch **9** is set to. When you near the end of ten minutes the green LED will start to flash, and the unit will return to the mode the speed selector switch **9** is set to after boost mode times out.

NOTE: After boost mode is used for a full ten minutes, the unit can return to boost mode by re-pressing the boost button **19**.

NOTE: Overall runtime will be shortened by using boost mode.

Pressure Washing (Fig. A–P)



WARNING: To reduce the risk of serious personal injury, turn unit off and remove the battery pack before making any adjustments or removing/installing attachments or accessories. An accidental start-up can cause injury.

Preparing Surface for Cleaning

- Remove objects from the area which could create a hazard such as children's toys or outdoor furniture.
- Ensure that all doors and windows are closed tight. Protect all plants and trees in the adjacent area with a drop cloth ensuring that they will not be harmed by any overspray.
- Pre-rinse cleaning area with fresh water.
- Use only detergents formulated for pressure washers.
- Always test detergent in an inconspicuous area before use.

Preparing Pressure Washer Unit for Use



DANGER: Risk of fluid injection and laceration. When using the high-pressure setting, DO NOT allow the high-pressure spray to come in contact with unprotected

skin, eyes, or with any pets or animals. Serious injury will occur.



CAUTION: Before operation:

1. Connect the high pressure hose to the pressure washer and the pressure wand. For instructions on connecting the high pressure hose to the pressure washer and pressure wand, please refer to **Attaching High Pressure Hose** under **Assembly and Adjustments**.
2. Connect the water supply to the pressure washer. For instructions on connecting the water supply to the pressure washer, please refer to **Attaching Garden Hose** under **Assembly and Adjustments**.
3. Install the two battery packs **35**. Close and lock the battery port door **20**. Ensure the door is fully latched into position, please refer to **To Install the Battery Packs** under **Installing and Removing the Battery Packs**.

Preparing Spray Wand (Fig. A, F)

IMPORTANT: Before turning on the pressure washer unit, disengage the trigger lock-off **6** and squeeze the trigger **7**.

1. Spray wand must be assembled before use. Please refer to **Assembling Spray Wand** under **Assembly and Adjustments**.
2. Disengage the trigger lock-off **6**.
3. Turn on the water supply.
4. Squeeze the trigger **7**. Hold the trigger for 30 seconds to purge the system of air.
5. If air is still found in the water stream, continue to run water through the spray wand.

Cleaning a Surface (Fig. P)

1. To start the pressure washer, toggle the speed selector switch **9** to the HI or LO position.
2. The best angle for spraying water against a cleaning surface is 45°.
 - Spraying head on tends to cause dirt particles to imbed in the surface.
 - When working on vertical surfaces, it is best to apply detergent starting at the bottom and working upwards which will prevent the detergent from sliding down and causing streaks.
3. To disengage the spray handle, release the trigger.

Moving the Pressure Washer (Fig. A–D)

1. Turn OFF the pressure washer unit **8** toggle the speed selector switch **9** to the center position. Then turn off the water supply.
2. Point the spray wand **2** in a safe direction and pull the trigger **7** to release remaining water pressure.
3. When the spray wand is completely empty, pull up the telescoping handle **12** and pull the pressure washer unit using the wheels **15** to your next location.

Shutdown (Fig. A, H, I, N, P)

1. Turn OFF the pressure washer unit **8** by toggling the speed selector switch **9** to the center position. Then turn off

the water supply and remove the battery packs from the pressure washer unit **8**.

2. Discharge residual pressure by squeezing the trigger **7** until no more water comes out of the spray wand **2**.
3. Engage the spray trigger lock-off **6**.
4. Disconnect the garden hose from the water intake **17**.
5. Disconnect the high pressure hose **1** from the high pressure water outlet **18** and drain hose.

Nozzle Cleaning (Fig. A, Q)



WARNING: To reduce the risk of serious personal injury, turn unit off and remove the battery pack before making any adjustments or removing/installing attachments or accessories. An accidental start-up can cause injury.

If the nozzle becomes clogged with foreign materials, such as dirt, excessive pressure may develop. If the nozzle becomes partially clogged or restricted, the pump pressure will pulsate. Clean the nozzle immediately using the nozzle cleaner.

1. Turn OFF the pressure washer unit **8** by toggling the speed selector switch **9** to the center position.
2. Turn off the water supply and remove the battery packs from the pressure washer unit **8**.
3. Pull trigger **7** on spray handle **4** to relieve any water pressure.
4. Remove the nozzle from the spray wand **2** by depressing the nozzle button **3** on the spray wand and pulling the nozzle.
5. Using the nozzle cleaning appliance **27**, unplug any debris from the nozzle.
6. Run water from a faucet or garden hose through the nozzle.

Suction Hose (Fig. K)

1. To clean the suction hose **28**, shut off the pressure washer.
2. Pull the trigger switch to relieve any water pressure.
3. Remove the suction hose **28** from the pressure washer.
4. To clean the suction hose, use water from a garden hose to thoroughly rinse out the suction hose and allow it to fully dry.

Suction Hose Filter (Fig. R)

1. Turn the filter **30** on the end of the suction hose **28** counterclockwise and remove.
2. Remove the strainer from inside of the filter.
3. Rinse all of the parts with clean water and reassemble.

MAINTENANCE

Your appliance has been designed to operate over a long period of time with a minimum of maintenance. Continuous satisfactory operation depends upon proper appliance care and regular cleaning.



WARNING: To reduce the risk of serious personal injury, turn appliance off and disconnect battery pack before making any adjustments or removing/installing attachments or accessories. An accidental start-up can cause injury.

The charger and battery pack are not serviceable.

Lubrication

Your appliance requires no additional lubrication.

Cleaning



WARNING: *Electrical shock and mechanical hazard. Disconnect the electrical appliance from the power source before cleaning.*



WARNING: *To ensure safe and efficient operation, always keep the electrical appliance and the ventilation slots clean.*



WARNING: *Never use solvents or other harsh chemicals for cleaning the non-metallic parts of the appliance. These chemicals may weaken the materials used in these parts. Use a cloth dampened only with water and mild soap. Never let any liquid get inside the appliance; never immerse any part of the appliance into a liquid.*

Ventilation slots can be cleaned using a dry, soft non-metallic brush and/or a suitable vacuum cleaner. Do not use water or any cleaning solutions. Wear approved eye protection and an approved dust mask.

Storage (Fig. C, E, S)

- Store in a dry, covered location above freezing temperature with the batteries removed. STORE INDOORS.
- Always completely empty water from high pressure hose, pressure washer unit, nozzles, and spray wand.
- Nozzles can be stored in the nozzle storage slots in the storage compartment **41** as shown in Fig. E and Fig. S.
- High pressure hose and suction hose can be stored coiled up and secured between the cage and the pressure washer unit **8** as shown in Fig. C.
- Spray wand can be stored, broken down into three pieces, in the storage compartment **41** as shown in Fig. E and Fig. S.
- High pressure foam cannon **26** can be stored empty, in the built in storage space in the pressure washer unit as shown in Fig. C.

Optional Accessories



WARNING: *Since accessories, other than those offered by DEWALT, have not been tested with this product, use of such accessories with this appliance could be hazardous. To reduce the risk of injury, only DEWALT-recommended accessories should be used with this product.*

Consult your dealer for further information on the appropriate accessories.

Protecting the Environment



Separate collection. Products and batteries marked with this symbol must not be disposed of with normal household waste.

Products and batteries contain materials that can be recovered or recycled, reducing the demand for raw materials. Please recycle electrical products and batteries according to local provisions. Further information is available at www.2helpU.com.

Rechargeable Battery Pack

This long-life battery pack must be recharged when it fails to produce sufficient power on jobs that were easily done before. At the end of its technical life, discard it with due care for our environment:

- Run the battery pack down completely, then remove it from the appliance.
- Li-Ion cells are recyclable. Take them to your dealer or a local recycling station. The collected battery packs will be recycled or disposed of properly.

After Service and Repair

DEWALT service centers are staffed with trained personnel to provide customers with efficient and reliable product service. We do not take any responsibility when you have repaired in unauthorized service center. You can refer to the leaflet of CONTACT CENTER LOCATOR in product package and contact us through hotline, website or social media to find the nearest DEWALT service center around you.

충전 고압세척기

DCMPW1600

축하합니다!

DEWALT 공구를 선택해 주셔서 감사합니다. DEWALT는 오랜 경험을 토대로 한 제품 개발 및 혁신을 통해 전문 사용자들이 가장 인정하는 기업으로 자리잡아왔습니다.

기술 데이터

DCMPW1600	
전압 입력	2x18(20 Max) V _{DC}
배터리 유형	리튬 이온
정격 유량	4.5 L/min
최대 유량	5.5 L/min
정격 압력	110 Bar / 1600 PSI / 11 MPa
최대 압력	165 Bar / 2390 PSI / 16.5 MPa
최대 입구 온도	50 °C
최대 입력 압력	1 Mpa (10 Bar)
건의 최대 압력에 대한 추진력	21N
모터 보호	IPX5
사용되는 용수	차갑고 맑은 물†
무게 (배어틀)	10,9 kg

배터리				충전기/충전 시간 (분)						
Cat#	V _{DC}	Ah	중량(kg)	DCB104	DCB107	DCB112	DCB115	DCB117 DCB1112	DCB118	DCB132
DCB546/DCB606	18/54 (20/60 Max)	6.0/2.0	1.08	60	270	170	90	40	60	90
DCB547/DCB609	18/54 (20/60 Max)	9.0/3.0	1.46	75*	420	270	135*	60	75*	135*
DCB548/DCB612	18/54 (20/60 Max)	12.0/4.0	1.46	120	540	350	180	80	120	180
DCB549/DCB615	18/54 (20/60 Max)	15.0/5.0	2.12	125	730	450	230	90	125	230
DCB180	18 (20 최대)	3.0	0.62	45	140	90	45	45	45	45
DCB181	18 (20 최대)	1.5	0.35	22	70	45	22	22	22	22
DCB182/DCB204	18 (20 Max)	4.0	0.61	60/40**	185	120	60	60/40**	60/40**	60
DCB183/DCB203	18 (20 Max)	2.0	0.40	30	90	60	30	30	30	30
DCB184/DCB205	18 (20 Max)	5.0	0.62	75/50**	240	150	75	75/50**	75/50**	75
DCB187	18 (최대 20)	3.0	0.54	45	140	90	45	45	45	45
DCB189/DCB240	18 (20 Max)	4.0	0.54	60	185	120	60	60	60	60
DCB186	18 (최대 20)	6.0	0.95	60	270	170	90	60	60	90
DCB208	18 (최대 20)	8.0	0.95	70	360	240	120	70	70	120
DCBP034	18 (최대 20)	1.7	0.32	27	82	50	27	27	27	27

*Date code 201811475B 이후

*Date code 201536 또는 그 이후



경고: 부상 위험을 줄이려면 사용 설명서를 읽으십시오.

정의: 안전 지침

다음 정의는 각 경고 문구의 심각도를 설명합니다. 사용 설명서를 읽고 다음 기호들에 유의하십시오.



위험: 절박한 위험 상태를 나타내며, 방지하지 않으면 **사망 또는 심각한 부상을 초래합니다.**



경고: 잠재적 위험 상태를 나타내며, 방지하지 않으면 **사망 또는 심각한 부상을 초래할 수 있습니다.**



주의: 잠재적으로 위험한 상태를 나타내며, 방지하지 않으면 **경미하거나 가벼운 부상을 초래할 수 있습니다.**

참고: 신체 부상을 초래하지 않는 행위를 나타내며 방지하지 않으면 **재산상의 손해가 발생할 수 있습니다.**



감전 위험을 나타냅니다.



화재 위험을 나타냅니다

중요 안전 지침



경고: 이 고압 세척기를 사용할 때는 다음을 포함한 기본 안전 예방 조치를 항상 따라야 합니다.

- 이 기계는 신체적, 감각적 또는 정신적 능력이 저하되거나 경험과 지식이 부족한 사람 (어린이 포함) 이 사용하도록 제작되지 않았습니다.
- 어린이가 본 제품을 가지고 놀지 못하도록 항상 주의해야 합니다.
- 제품을 사용하기 전에 모든 지침을 읽으십시오.
- 부상 위험을 줄이려면 어린이 근처에서 제품을 사용할 때细心的 감독이 필요합니다.
- 제품을 멈추고 압력을 빠르게 해제하는 방법을 숙지해야 합니다. 컨트롤에 대해 자세히 알아보십시오.
- 경계 유지 - 작업에 주목하십시오
- 피로한 상태 또는 알코올 또는 약물의 영향을 받은 상태에서 제품을 작동하지 마십시오.
- 모든 사람과 동물이 없는 작업 영역을 유지하십시오.
- 지나치게 손을 뻗거나 불안정한 지지대 위에 서지 마십시오. 항상 올바른 자세로 서서 균형을 유지하십시오.
- 매뉴얼에 명시된 유지보수 지침을 따르십시오.



경고: 인젝션 또는 부상의 위험 - 사람이나 동물에게 배출 스트림을 가하지 마십시오.



경고: 제품을 조립, 작동 또는 설치하기 전에 이 설명서를 읽으십시오.

경고: 이 장치는 특정 용도를 위해 설계되었습니다. 설계된 예상 이외의 용도로 개조 및 / 또는 사용해서는 안 됩니다.

참고: 압력 세척기는 항상 온도가 40° F (4°C) 아래로 떨어지지 않는 위치에 보관하십시오. 동결 손상은 보충 대상이 아닙니다.



경고: 이 기계는 제조업체가 제공하거나 권장하는 세척제와 함께 사용하도록 설계되었습니다. 다른 세척제나 화학 약품을 사용하면 기기의 안전에 부정적인 영향을 미칠 수 있습니다.



경고: 고압 세척기를 사용하는 동안 에어로졸이 형성될 수 있습니다. 에어로졸 흡입은 건강에 해로울 수 있습니다.



경고: 고압 세척기는 오용될 경우 위험할 수 있습니다. 고압 세척기 분사가 사람, 전기가 흐르는 전기 장비 또는 기계 자체를 향해서는 안 됩니다.



경고: 보호복을 착용하지 않은 사람의 범위 내에서 기계를 사용하지 마십시오.



경고: 옷이나 신발을 청소하기 위해 자신이나 다른 사람에게 고압 세척기를 분사하지 마십시오.



경고: 폭발 위험 - 인화성 액체를 뿌리지 마십시오.



경고: 고압 청소기는 어린이나 교육을 받지 않은 사람이 사용해서는 안 됩니다.



경고: 고압 호스, 피팅 및 커플링은 장비의 안전을 위해 중요합니다. 제조업체에서 권장하는 호스, 피팅 및 커플링만 사용하십시오.



경고: 기계 안전을 보장하려면 제조업체에서 제공하거나 제조업체에서 승인한 순정 예비 부품만 사용하십시오.



경고: 역류 방지 장치를 통해 흐른 물은 마실 수 없는 것으로 간주됩니다.



경고: 청소 또는 유지보수 중 및 부품 교체 시 기계는 전원에서 분리되어야 합니다.



경고: 안전 장치, 고압 호스, 트리거 건 등이 손상된 경우 기계를 사용하지 마십시오.



경고: 응용 분야에 따라 차폐 노즐을 고압 세척에 사용할 수 있으며, 이는 함수 에어로졸의 방출을 극적으로 감소시킵니다. 그러나 모든 응용 프로그램에서 이러한 장치를 사용할 수 있는 것은 아닙니다. 에어로졸 보호를 위해 차폐 노즐을 적용할 수 없는 경우 청소 환경에 따라 FFP 2 등급 또는 이와 동등한 호흡기 마스크가 필요할 수 있습니다.



해당 규정에 따라 시스템 분리 없이 응용수 네트워크에서 기기를 사용해서는 안 됩니다. IEC 61770에 따라 분리를 사용하십시오. 시스템 분리를 통과하는 물은 마실 수 없는 것으로 간주됩니다.

1. **젖은 손으로 플러그나 콘센트를 만지지 마십시오.**
2. **우발적인 작동을 피하십시오.** 코드를 콘센트에 연결하거나 분리하기 전에 기기의 스위치를 OFF 위치로 이동하십시오.
3. 물 분사는 전기 배선을 향하거나 고압 세척기 자체를 향해서는 절대 안 됩니다. 그렇지 않으면 치명적인 감전이 발생할 수 있습니다.
4. **좁은 핀 포트인 스트림은 매우 강력합니다.** 도장된 표면, 목재 표면 또는 뒷면에 접착제가 부착된 품목에는 사용하지 않는 것이 좋습니다.
5. **모든 사람과 동물이 없는 작업 영역을 유지하십시오.**
6. **봉을 완전히 제어하려면 고압 세척기를 작동할 때 항상 두 손을 사용하십시오.**
7. **작동 중 노즐이나 물 스프레이를 만지지 마십시오.** 노즐 앞에 손을 놓지 마십시오.
8. **작동 중에는 보안경을 착용하십시오.** 우발적인 스프레이로부터 보호하기 위해 보호복과 신발을 착용하십시오.

9. 사용하지 않을 때는 고압 호스를 분리하기 전에 콘센트에서 전원 플러그를 뽑으십시오.
10. 고압 호스가 손상될 수 있으므로 매듭을 묶거나 꼬이지 마십시오. 고압 호스를 정기적으로 검사하십시오. 호스가 손상되었거나 마모되었거나 균열, 기포, 핀홀 또는 기타 누출의 징후가 보이면 즉시 교체하십시오. 새거나 손상된 고압 호스를 절대 접지 마십시오.
11. 4°C (40°F) 미만의 온도에서 이 제품을 작동하거나 보관하지 마십시오. 동결 손상에는 보증이 적용되지 않습니다.
12. 사용하기 전에 모든 화학 지침과 경고를 주의 깊게 준수하십시오. 승인된 고압 세척기만 사용하십시오. 표백제, 염소 또는 산이 포함된 세제를 사용하지 마십시오. 세척제를 올바르게 사용하려면 항상 제조업체의 라벨 권장 사항을 따르십시오. 항상 세척제로부터 눈, 피부, 호흡기를 보호하십시오.
13. 가스 증기가 존재할 수 있는 장소에서는 고압 세척기를 사용해서는 안 됩니다. 전기 스파크는 폭발이나 화재를 유발할 수 있습니다.
14. 고압 세척기에 들어가는 물의 양을 최소화하려면 작동 중 기기를 청소 장소에서 최대한 멀리 배치해야 합니다.
15. 우발적인 방출을 방지하려면 스프레이 건을 사용하지 않을 때 트리거를 잠금 고정해야 합니다.
16. 자유로운 공기 순환을 위해 작동 중에는 고압 세척기를 덮지 않아야 합니다.
17. 고압 호스의 핀홀이나 이와 유사한 누수를 만지거나 쥐거나 막으려 하지 마십시오. 물줄기는 고압 상태이며 피부에 침투합니다.
18. 압력 세척기의 PSI / Bar보다 높은 압력 등급의 호스와 액세서리만 사용하십시오. 다른 제조업체의 액세서리나 구성요소와 함께 사용하지 마십시오.
19. 이 제품의 안전 기능을 절대 무시하지 마십시오.
20. 누락, 파손 또는 승인되지 않은 부품이 있는 기계를 작동하지 마십시오.
21. 가연성 먼지, 액체 또는 증기가 있는 곳에서 가연성 액체를 뿌리거나 고압 세척기를 사용하지 마십시오.

타인의 안전

- 이 기기는 안전을 책임지는 사람이 기기 사용에 관한 감독이나 지시를 받지 않는 한 신체적, 감각적 또는 정신적 능력이 저하되거나 경험과 지식이 부족한 사람 (어린이 포함) 이 사용하도록 제작되지 않았습니다.
- 어린이가 본 제품을 가지고 놀지 못하도록 항상 주의해야 합니다.

진동

기술 데이터 및 적합성 선언에 명시된 선언된 진동 방출 값은 EN60335-2-79에서 제공하는 표준 테스트 방법에 따라 측정되었으며 한 공구를 다른 공구와 비교하는 데 사용할 수 있습니다. 선언 된 진동 방출 값은 노출의 예비 평가에도 사용될 수 있습니다.



경고: 고압세척기의 실제 사용 시 진동 방출 값은 제품 사용 방식에 따라 신고 값과 다를 수 있습니다. 진동 수준이 명시된 수준 이상으로 증가할 수 있습니다.

작업장에서 정기적으로 전동 공구를 사용하는 작업자를 보호하기 위해 2002/44/EC에서 요구하는 안전 조치를 결정하기 위해 진동 노출을 평가할 때 진동 노출의 추정치는 실제 사용 조건과 공구 사용 방식을 고려해야 합니다. 트리거 시간 외에도 기기가 꺼져 있는 시간과 유휴 상태의 시간과 같은 작동 주기의 모든 부분을 고려하는 것을 포함합니다.

잔류 위험

관련된 안전 규정을 준수하고 안전 장치를 사용한다고 해도 특정한 위험은 피할 수 없습니다. 이러한 위험은 다음과 같습니다.

- 청각 장애.
- 파편 날림으로 인한 신체 부상 위험.
- 작업 중 뜨거워지는 액세서리로 인한 화상 위험.
- 장기간 사용으로 인한 부상 위험. 본 지침을 잘 보관해 두십시오

충전기

DeWALT 충전기는 조정할 필요가 없으며 최대한 쉽게 작동하도록 설계되었습니다.

전기 안전

전기 모터는 한 가지 전압에만 맞추어 설계되었습니다. 배터리 팩 전압이 명판에 기재된 전압과 일치하는지 항상 확인하십시오. 또한 충전기의 전압이 주전원의 전압과도 일치하는지 확인하십시오.



DeWALT 충전기는 IEC60335에 따라 이중 절연되어 있습니다. 따라서 접지선이 필요하지 않습니다. 전원 코드가 손상된 경우 DeWALT 또는 공인 서비스 기관 만 교체해야 합니다.

연장 케이블 이용

연장 코드는 가급적 사용하지 마십시오. 사용 중인 전원공급기 정격전원에 맞는 승인된 연장 코드를 사용하십시오 (기술 데이터 참조) 최소 도체 크기는 1mm²입니다. 최대 길이는 30m입니다.

케이블 릴을 사용할 때는 항상 케이블을 완전히 푸십시오.

모든 배터리 충전기에 대한 중요한 안전 지침

본 지침을 잘 보관해 두십시오. 본 사용 설명서에는 호환이 되는 배터리 충전기에 대한 중요한 안전 및 작업 지침이 포함되어 있습니다. 기술 데이터 참조) 충전기를 사용하기 전에 충전기, 배터리 팩, 그리고 배터리 팩 관련 제품에 대한 지침과 주의 표시를 숙지하십시오



경고: 감전 위험. 충전기 내부에 액체가 들어가지 않도록 하십시오. 감전될 수 있습니다.



경고: 정격 잔류 전류가 30mA 미만인 누전 차단기를 사용하는 것이 좋습니다.



주의: 화상 위험. 부상 위험을 줄이려면 DeWALT 충전식 배터리만 충전하십시오. 다른 유형의 배터리는 폭발로 인한 신체 부상과 손상을 초래할 수 있습니다.



주의: 어린이가 본 제품을 가지고 놀지 못하도록 항상 주의해야 합니다.

참고: 특정 조건에서, 충전기가 전원 공급기에 연결되어 있으면 충전기 내부에 노출된 충전 접점이 이물질에 의해 단락될 수 있습니다. 철부스러기, 알루미늄 호일, 금속 입자 축적물 등의 전도성 이물질은 충전기 캐비티에 닿지 않게 해야 합니다. 캐비티 안에 배터리 팩이 없을 경우 항상 배터리의 전원 공급기에서 충전기의 플러그를 뽑으십시오. 충전기를 청소할 때는 플러그를 뽑아야 합니다.

- **본 사용 설명서에 명시된 충전기 외의 다른 충전기로 배터리 팩을 충전하지 마십시오.** 본 충전기와 배터리 팩은 함께 사용하도록 특수 설계되었습니다.
- **이 충전기는 DEWALT 충전식 배터리 충전 이외의 용도로 사용할 수 없습니다.** 다른 용도로 사용하면 화재, 감전 또는 감전사고의 위험이 있습니다.
- **충전기가 비나 눈을 맞지 않도록 하십시오.**
- **제품을 충전할 때, 제품 전원을 껐는지 반드시 확인하고 충전하십시오.**
- **배터리 충전이 완료 된 이후에는 충전기 전원 플러그를 빼십시오.**
*감전, 누전 및 화재의 원인이 됩니다.
- **변압기를 사용하는 경우 전압, 주파수, 정격 전력의 조건이 다르기 때문에 감전, 화재의 원인이 될 수 있습니다.**
- **충전기가 침수됐거나 물이 들어간 경우에는 사용을 중지하십시오.**
- **외출 시에는 반드시 충전기 전원 플러그를 뽑아 주십시오.** 누전, 화재의 원인이 될 수 있습니다.
- **충전 단자에 젓가락, 드라이버 등을 넣거나 접촉하여 쇼트시키지 마십시오.**
- **동물이 충전기 전원선을 갉아 먹지 않도록 주의 하십시오.**
- **어린이 등, 경험과 지식이 부족한 사람이 사용할 경우에는 보호자가 꼭 보호하에 사용하도록 해주십시오.**
- **충전기를 분리할 경우 코드가 아니라 플러그를 뽑으십시오.** 그레아만 전기 플러그 및 코드 손상의 위험이 줄어듭니다.
- **코드가 밟히거나 걸리거나 기타 원인에 의해 손상되거나 압박을 받지 않도록 유의하십시오.**
- **불가피한 경우가 아니면 연장 코드를 사용하지 마십시오.** 연장 코드를 잘못 사용하면 화재, 감전 또는 감전사의 위험이 있습니다.
- **충전기 위에 물건을 올려놓거나 부드러운 표면에 충전기를 두면 환기 슬롯이 막혀 내부가 과열될 수 있습니다.** 충전기는 열원에 가까이 두지 마십시오. 충전기는 하우징의 상단과 하단에 있는 슬롯을 통해 환기됩니다.
- **코드나 플러그가 손상된 충전기를 작동시키지 마십시오.** — 즉시 교체하십시오.
- **심한 충격을 받았거나 떨어뜨렸거나 어떠한 식으로든 손상된 경우에는 충전기를 작동시키지 마십시오.** 공인 서비스 센터로 가져가십시오.
- **충전기를 분해하지 마십시오.** 서비스가 수리가 필요한 경우에는 공인 서비스 센터로 가져가십시오. 잘못 재조립하면 감전, 감전사 또는 화재의 위험이 있습니다.
- **전원 코드가 손상된 경우 사고 방지를 위해 제조업체, 서비스 대리점 또는 이에 준하는 유자격 수리 기술자를 통해 즉시 교체하십시오.**

- **청소하려면 먼저 충전기를 콘센트에서 분리하십시오. 그레아 감전 위험이 줄어듭니다.** 배터리 팩을 제거하는 것만으로 이러한 위험이 줄어들지는 않습니다.
- **절대로 충전기 두 개를 함께 연결하지 마십시오.**
*전원 플러그를 하나의 콘센트 (멀티탭)에 여러 제품을 동시에 사용하지 마십시오.
*콘센트의 이상 발열로 화재의 원인이 됩니다.
*치단기가 작동하여 전원이 꺼질 수 있습니다.
- **충전기는 가정용 표준 전력 220V~240V 으로 작동하도록 설계되어 있습니다.** 다른 전압에서는 사용하지 마십시오. 차량용 충전기는 제외됩니다.

배터리 충전 (그림 B)





참고 : 리튬이온 배터리 팩의 성능과 수명을 극대화하려면 처음 사용하기 전에 배터리 팩을 완전히 충전시키십시오.

1. 배터리 팩을 끼우기 전에 충전기를 적절한 콘센트에 꽂으십시오.
2. 배터리 팩을 충전기에 삽입하고, 배터리 팩이 충전기에 완전히 장착되었는지 확인합니다. 빨간색 (충전 중) 표시등이 반복해서 깜박이면서 충전 프로세스가 시작되었음을 알립니다.
3. 1 단계 충전 깜박임 표시기는 대부분의 배터리 용량을 충전하는 충전 프로세스를 나타냅니다. 2 단계 충전 깜박임 표시기는 배터리가 최대 용량에 도달하기 위한 나머지 또는 충전 과정을 나타냅니다.
4. 1 단계 또는 2 단계의 충전 완료는 조명이 계속 켜져 있는 것으로 표시됩니다. 배터리 팩은 1 단계 및 2 단계 충전 표시등이 계속 켜져 있어야 완전히 충전된 것이며, 이때 분리하여 사용하거나 충전기에 뇌될 수 있습니다.

참고 : 배터리 팩을 제거하려면 일부 충전기는 배터리 팩 해제 버튼을 눌러야 합니다.

충전기 작동

배터리 팩의 충전 상태는 아래 표시등을 참조하십시오.

지표	1 단계 충전	2 단계 충전	완전 충전됨	냉 / 온 팩 지연*
				

*빨간색 표시등이 계속 깜박거리지만, 노란색 표시등은 이 작동동안 계속 켜져 있습니다. 배터리 팩이 적정 온도에 도달하면, 노란색 표시등이 꺼지고 충전기에서 충전 절차를 다시 시작합니다.

이 호환 충전기는 결함이 있는 배터리 팩은 충전하지 못합니다. 등이 켜지지 않도록 하여 배터리에 결함이 있음을 표시합니다.

참고: 이는 충전기 고장을 의미할 수도 있습니다. 충전기에 문제가 표시되는 경우 충전기와 배터리 팩을 공인 서비스 센터로 가져 가서 테스트를 받아 보십시오.

냉 / 온 팩 지연

충전기에서 너무 뜨겁거나 차가운 배터리 팩이 감지되면, 냉 / 온 팩 지연이 자동으로 시작되어 배터리 팩이 적절한 온도가 될 때까지 충전이 중단됩니다. 이 과정이 끝나면 충전기가 자동으로 팩 충전 모드로 전환됩니다. 이 기능은 배터리 팩 수명을 최대한으로 보장하기 위한 것입니다.

차가운 배터리 팩은 따뜻한 배터리 팩보다 더 느린 속도로 충전됩니다. 충전 사이클 전체에 걸쳐 배터리 팩은 이렇게 느린 속도로 충전되며 배터리 팩이 따뜻해지더라도 최대 충전 속도로

주의 사항

DCB118 충전기에는 배터리 팩을 식히기 위해 설계된 내장 팬이 장착되어 있습니다. 배터리 팩을 식히야 하면 팬이 자동으로 켜집니다. 팬이 제대로 작동하지 않거나 환기구가 막혀 있을 경우 충전기를 작동하지 마십시오. 이물질이 충전기 내부로 들어가지 않도록 하십시오.


전자 보호 시스템

XR 리튬이온 배터리 팩은 배터리에 과부하가 걸리거나 과열 또는 완전 방전되는 것을 방지하는 전자 보호 시스템으로 설계되었습니다. 이 기기는 전자 보호 시스템이 작동하면 자동으로 꺼집니다. 이러한 경우 리튬 이온 배터리가 완전히 충전될 때까지 충전기에 리튬 이온 배터리 팩을 넣으십시오.

벽 장착

충전기는 테이블 또는 작업 표면에 똑바로 세우거나 벽에 장착할 수 있도록 설계되었습니다. 벽에 장착하는 경우, 충전기는 전기 콘센트에 닿을 수 있는 범위 내에 놓고, 공기 흐름이 방해될 수 있는 코너 또는 기타 장애물로부터 멀리 두십시오. 벽에서 장착 나사의 위치는 기본적으로 충전기의 뒤쪽을 사용하십시오. 나사 머리 직경이 7-9 mm 인 최소 25.4 mm 길이의 석고보드 나사 (별도 구매)를 사용해서 충전기를 단단히 장착하고, 노출된 나사의 약 5.5 mm 를 남겨 두고 최적의 길이로 목재에 고정합니다. 충전기 뒤쪽의 구멍을 노출되어 있는 나사에 맞추고 구멍에 완전히 맞물리도록 하십시오.

충전기 청소 지침

 **경고: 감전 위험. 청소하려면 먼저 충전기를 AC 콘센트에서 분리하십시오.** 헝겊이나 부드러운 비금속성 브러시로 충전기 외관 부분에 묻은 먼지 및 기름을 제거할 수 있습니다. 물이나 세척제를 사용하지 마십시오. 제품 내부에 액체가 들어가지 않도록 하고 제품의 어떤 부분도 액체에 담그지 마십시오.

배터리 팩

모든 배터리 팩에 대한 중요한 안전 지침

배터리 팩을 교체하기 위해 주문할 때는 카탈로그 번호와 전압을 반드시 확인하고 표기해야 합니다.

배터리 팩은 포장박스에서 꺼낼 때 완전히 충전된 상태가 아닙니다. 배터리 팩과 충전기를 사용하기 전에 아래 안전 지침을 숙독하십시오. 그런 다음 설명된 충전 절차를 따르십시오.

모든 지시 사항을 읽으십시오

- 가연성 액체, 가스 또는 먼지 등 폭발 위험이 있는 환경에서 배터리를 충전하거나 사용하지 마십시오. 배터리를 끼우거나 충전기에서 분리할 때 먼지나 가스에 불이 붙을 수 있습니다.
- 충전기에 배터리 팩을 끼울 때 과도한 힘을 주지 마십시오. 어떤 형태론도 호환되지 않는 충전기에 사용하기 위해 배터리 팩을 개조하지 마십시오. 배터리 팩이 파열되어 심각한 부상을 유발할 수 있습니다.
- DEWALT 충전기에서만 배터리 팩을 충전하십시오.
- 물이나 기타 액체에 튀거나 담그지 마십시오.
- 온도가 4°C (39.2°F) 이하로 떨어지거나 (겨울의 금속 외벽 또는 금속 건물과 같은) 장소에서 기기와 배터리 팩을 보관하거나 사용하지 마십시오. 40°C (104°F) (여름철 허름한 창고 또는 금속 건물 등).
- 배터리 팩이 심하게 손상되거나 완전히 낡았다더라도 절대 소각하지 마십시오. 배터리 팩은 불소에서 폭발할 수 있습니다. 리튬이온 배터리 팩은 연소되면서 독성 연기와 물질을 발생시킵니다.
- 배터리 내용물이 피부에 닿으면 즉시 중성 세척제로 해당 부위를 씻으십시오. 배터리액이 눈에 들어갔을 경우, 15분 정도 또는 통증이 가실 때까지 눈을 뜨고 물로 씻어냅니다. 치료가 필요한 경우를 위해, 배터리 전해질은 액체 유기 탄산염과 리튬염의 혼합물로 구성되어 있음을 알아 두십시오.
- 열린 배터리 셀의 내용물은 호흡기 질환을 일으킬 수 있습니다. 신선한 공기를 공급하십시오. 증상이 계속되면 치료를 받으십시오.
- 직사광선이 비치는 차량 내부에는 제품 또는 배터리를 보관하지 마십시오.

*회차 또는 폭발의 원인이 됩니다.



경고: 화재 위험. 배터리액은 불꽃이나 화염에 노출되면 연소될 수 있습니다.



경고: 어떤 이유로든 배터리 팩을 절대 분해하지 마십시오. 배터리 팩 케이스가 깨지거나 손상되면 충전기에 넣지 마십시오. 배터리 팩을 문개거나 떨어뜨리거나 손상시키지 마십시오. 날카로운 타격을 받았거나, 떨어뜨리거나, 넘어지거나, 어떤 방식으로든 손상된 (예: 못으로 뚫기, 망치로 두드리기, 밟힌) 배터리 팩이나 충전기를 사용하지 마십시오. 감전 또는 감전사의 위험이 있습니다. 손상된 배터리 팩은 재활용을 위해 서비스 센터에 반환해야 합니다.



경고: 화재 위험. 배터리 팩을 보관하거나 휴대할 때는 경고: 화재 위험. 배터리 팩을 보관하거나 휴대할 때는 노출된 배터리 단자에 금속 물체가 닿지 않도록 하십시오. 예를 들어, 못, 나사, 키 등이 있는 앞치마, 주머니, 기기 상자, 제품 키트 상자, 서랍 등에 배터리 팩을 두지 마십시오.



주의: 사용하지 않을 때는 걸려 넘어지거나 떨어질 위험이 없는 안정된 표면에 기기를 얹으



놓여 두십시오. 배터리 팩이 큰 일부 기기들은 배터리 팩 위에 바로 서 있지만 쉽게 넘어질 수 있습니다

운반



경고: 화재 위험. 배터리를 운반할 때 배터리 단자가 실수로 전도성 물질과 닿을 경우 화재 위험의 가능성이 있습니다. 배터리를 운반할 경우에는 배터리 단자가 보호되어 있고, 물체에 닿을 경우 단락을 일으킬 수 있는 물체로부터 제대로 절연되어 있는지 확인하십시오. 참고: 리튬이온 배터리는 검사된 수화물에 넣어야 합니다.

DeWALT 배터리는 UN 의 위험물 운송에 관한 권고 (Recommendations on the Transport of Dangerous Goods, RTDG), 국제 항공 운송 협회 (IATA) 의 위험물 규정, 국제해상위험물 (International Maritime Dangerous Goods, IMDG) 규정 및 국제도로위험물물운송에 관한 유럽조약 (European Agreement Concerning The International Carriage of Dangerous Goods by Road (ADR)) 을 포함하여 산업 표준 및 법적 기준에 따라 해당되는 모든 운송 규정을 준수합니다. 리튬 이온 전지 및 배터리는 위험 화물 테스트 및 기준 설명서에 대한 UN 권고 38.3항에 따라 테스트되었습니다.

대부분의 경우 DeWALT 배터리 팩 배송은 완전히 규제되는 9등급 위험 물질로 분류되지 않습니다. 일반적으로, 에너지효율 등급이 100 와트시 (Wh) 보다 큰 리튬 이온 배터리를 포함하는 수송품만 완전 규제를 받는 Class 9 에 따라 운송되어야 합니다. 모든 리튬 이온 배터리에는 팩에 와트시 등급이 표시되어 있습니다. 또한 규정의 복잡성으로 인해 DeWALT는 와트시 등급에 관계없이 리튬 이온 배터리 팩만 항공 운송하는 것을 권장하지 않습니다. 배터리 팩의 와트시 등급이 100 Whr 보다 크지 않을 경우는 제외되므로 배터리 (콤보 키트) 가 포함된 공구의 수송품은 항공 운송할 수 있습니다.

수송품이 예외로 고려되든지 또는 완전 규제를 받든지 여부와 상관 없이, 포장, 라벨링 / 표시 및 문서 요건에 관한 최신 규정을 찾아보는 것은 운송 회사의 책임입니다.

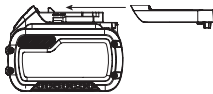
설명서의 본 색션에서 제공하는 정보는 옳다고 믿고 제공되며 문서가 작성되었던 시기에는 정확한 것으로 간주됩니다. 단, 보증은 명시적이거나 함축적으로 제공되지 않습니다. 활동 시 해당 규정을 준수하는 것은 구매자의 책임입니다.FLEXVOLT™ 배터리 운반

DeWALT FLEXVOLT™배터리에는 두 가지 모드가 있습니다. 사용 및 운송.

사용 모드: FLEXVOLT™ 배터리가 단독으로 사용되거나 DeWALT 18V (20V Max) 제품에 있는 경우 18V (20V Max) 배터리로 작동합니다. When the FLEXVOLT™ 배터리가 54V (최대 60V) 또는 108V (최대 120V) (54V (60V 최대) 배터리 2개) 제품에 있는 경우 54V (최대 60V) 배터리로 작동합니다.

운반 모드: 캡이 FLEXVOLT™ 배터리에 부착되어 있으면 배터리는 운반 모드에 있습니다. 운반 시 배터리 캡을 유지하십시오.

운반 모드에 있을 때, 더 높은 와트시 등급의 배터리 1개에 비해 더 낮은 와트시 (Wh) 등급의 배터리 3개가 되는 팩 내에서 일련의 셀은 전기 연결이 끊어져 있습니다. 와트시 등급이 더 낮은 이 증가된 배터리 3개 수량은 더 높은 와트시 배터리에 부과되는 특정 수송 규정에서 팩을 면제시킬 수 있습니다.



예를 들어, 운반 Wh 정격은 3 x 36 Wh 를 나타내며, 각 36Wh 배터리 3개를 의미합니다. 사용 Wh 정격은 108Wh 를 나타낼 수 있습니다 (1개 배터리 포함).

사용 및 운송 라벨 표시 예제

	Use: 108 Wh
	Transport: 3x36 Wh

보관 권장 사항

- 1. 보관 장소로는 직사광선을 받지 않고 지나치게 덥거나 춥지 않은 시원하고 건조한 곳이 가장 좋습니다. 최적의 배터리 성능과 수명을 위해, 사용하지 않을 때에는 배터리 팩을 실온에서 보관하십시오.
- 2. 장기간 보관하는 경우, 최적의 결과를 위해 완전히 충전된 배터리 팩을 충전기에서 분리하여 서늘하고, 건조한 장소에 보관하는 것이 좋습니다.

참고: 배터리 팩은 완전히 방전된 상태로 보관해서는 안됩니다. 사용 전에 배터리 팩을 재충전해야 합니다.

충전기 및 배터리 팩에 부착된 라벨

본 설명서에 사용된 그림 외에도 충전기 및 배터리 팩에 부착된 라벨에는 다음과 같은 그림이 표시되어 있습니다.



사용 전에 사용 설명서의 내용을 숙지하십시오.



충전 시간은 **기술 데이터를** 참조하십시오.



전도성 있는 물체로 시험하지 마십시오.



손상된 배터리 팩을 충전하지 마십시오.



물에 닿지 않도록 하십시오.



손상된 코드는 즉시 교체하십시오.



4 °C ~ 40 °C 사이에서만 충전하십시오..



실내 전용.



환경 보호 차원에서 배터리 팩을 폐기하십시오.



지정된 DeWALT 충전기뿐만 DeWALT 배터리 팩을 충전하십시오. 지정된 DeWALT 배터리 이외의 배터리 팩을 DeWALT 충전기로 충전하면 배터리가 폭발하거나 다른 위험한 상황이 발생할 수 있습니다.



배터리 팩을 소각하지 마십시오.

사용 (운반 캡 미포함). 예: Wh 정격은 108 Wh 를 나타냅니다 (108 Wh 배터리 1개).

운반 (내장 운반 캡 포함). 예: Wh 정격은 3 x 36 Wh (36 Wh 배터리 3개) 를 나타냅니다.

배터리 유형

이는 DCMPW1600 동일한 용량의 2개 18 (20 Max) 볼트 배터리 팩에서 작동하도록 설계되었습니다. DCMPW1600 단일 배터리 팩으로는 작동하지 않으며, 다른 용량(18 (20 Max))의 배터리 팩을 사용하는 경우 용량이 낮은 배터리 팩이 고갈되면 장치가 꺼집니다. 최적의 성능과 실행 시간을 위해 DCB547 9.0 AH 배터리 팩을 사용하는 것이 좋습니다. 참고: 최상의 결과를 얻으려면 배터리 팩이 완전히 충전되었는지 확인하십시오.

자세한 정보는 기술 데이터를 참조하십시오.

포장 내용물

포장에는 다음 내용물이 들어 있습니다.

- 1 압력 와셔 유닛
- 1 스프레이 핸들
- 1 스프레이 봉
- 1 고압 호스
- 1 자흡식 흡입 호스
- 1 고압 폼 캐논
- 1 급수 필터
- 1 조정 가능한 스프레이 노즐
- 1 터보 노즐
- 1 노즐 청소 도구
- 1 범용 호스 커넥터
- 2 리튬 이온 배터리 팩
- 1 사용 설명서

참고: 배터리 팩, 충전기 및 키트 박스는 N 모델에 포함되어 있지 않습니다. 배터리 팩과 충전기는 NT 모델에 포함되어 있지 않습니다. B 모델에는 Bluetooth® 배터리 팩이 포함됩니다.

참고: Bluetooth® 워드 마크 및 로고는 Bluetooth®, SIG, Inc. 소유의 등록 상표이며 DEWALT는 라이선스 하에 이러한 마크를 사용합니다. 기타 상표 및 상호는 해당 소유자의 것입니다.

- 운반 중에 발생할 수 있는 기기, 부품 또는 액세서리의 손상 여부를 확인하십시오.
- 작동 전에 시간을 내어 본 사용 설명서를 읽고 숙지하십시오.

기기의 마크

기기에는 다음과 같은 그림이 표시됩니다.



경고! 부상의 위험을 줄이기 위해 사용자는 사용 설명서를 읽어야 합니다.



보안경을 착용하십시오.



귀 보호 장구를 착용하십시오.



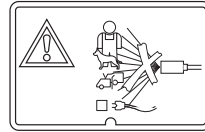
음용수 본관에 연결하기에 적합하지 않은 기계입니다.



Directive 2000 / 14/ EC는 음력을 보장합니다.
DCMPW1600



청소 또는 유지 관리를 수행하기 전에 항상 기기에서 배터리를 제거하십시오.



사람, 동물, 기계 또는 전기 부품에 물을 분사하지 마십시오.

Date Code 위치 (그림 B)

Date code 는 **37** 4자리 연도와 2자리 주로 구성되며 2자리 공장 코드로 확장됩니다.

설명 (그림 A)



경고: 기기 또는 그 일부를 개조하지 마십시오. 제품이 파손되거나 신체 부상을 당할 수도 있습니다.

- 1 고압 호스
- 2 스프레이 봉
- 3 노즐 버튼
- 4 스프레이 핸들
- 5 핸들 그림
- 6 잠금 해제 트리거
- 7 트리거
- 8 압력 와셔 유닛
- 9 속도 선택기 스위치
- 10 수납 도어
- 11 도어 래치
- 12 텔레스코핑 핸들
- 13 핸들 해제 버튼
- 14 케이지
- 15 운송용 바퀴
- 16 피트
- 17 정원 호스 취수
- 18 고압수 출구
- 19 부스트 버튼
- 20 배터리 포트 도어
- 21 배터리 도어 래치
- 22 터보 노즐
- 23 조정 가능한 스프레이 노즐

한국어

- 24 급수 필터
- 25 빠른 연결 호스 어댑터
- 26 고압 폼 캐논
- 27 노즐 청소 기구
- 28 자흡식 흡입 호스
- 29 플로트 볼
- 30 흡입 호스 필터
- 31 흡입 호스 칼라
- 32 호스 보관 버팀대
- 33 호스 보관 래치
- 34 호스 보관 스트랩
- 35 수컷 구멍

용도

이 고압 세척기는 보트, 자동차, 데크, 차도, 그릴, 집 사이딩, 오토바이, 파티오 및 야외 가구를 청소하기 위한 것입니다.

젖은 상태 또는 가연성 액체 또는 가스가 있는 곳에서 사용하지 마십시오.

어린이가 이 기기를 만지지 않도록 하십시오. 경험이 없는 작업자가 이 기기를 사용할 때는 감독자의 지도가 필요합니다.

- **어린이 및 노약자.** 본 제품은 어린이나 노약자가 사용하도록 설계되지 않았습니다. 이러한 사람이 사용할 때는 감독이 필요합니다.
- 이 제품은 안전을 책임지는 사람이 감독하지 않는 한 경험, 지식 또는 기술이 부족한 자, 신체적, 감각적 또는 정신적 능력이 저하된 사람 (어린이 포함) 이 사용할 수 없습니다. 이 제품과 함께 어린이만 혼자 두어서는 안됩니다.

조립 및 조정



경고: 심각한 부상의 위험을 줄이려면 조정을 하거나 부착물 또는 액세서리를 제거/설치하기 전에 기기를 끄고 배터리 팩을 분리하십시오. 공구가 갑자기 작동하여 부상을 당할 수 있습니다.



경고: DEWALT 배 터리와 충전기만 사용하십시오.

케이지 휴대용 핸들 (그림 C)

이 압력 와셔에는 일상적인 작업 현장 마모로부터 압력 와셔를 보호하는 보호 케이지가 있지만 다양한 휴대용 핸들 14 옵션도 제공합니다. 사용에 편리한 케이지 부분을 사용하여 압력 와셔를 운반하십시오. 32 또는 텔레스코핑 핸들 12 을 잡고 압력 와셔를 옮기려고 하지 마십시오.

텔레스코핑 핸들 (그림 A, D)

이 압력 세척기에는 편리한 빌트인 텔레스코핑 핸들과 운반용 바퀴가 있습니다.

1. 텔레스코핑 핸들 12 의 잠금을 해제하려면 핸들 해제 버튼 13 을 누르고 핸들을 위로 밀니다. 제자리에 고정되면 딸깍하는 소리가 들립니다.
2. 텔레스코핑 핸들 12 을 보관하려면 핸들 해제 버튼 13 을 누르고 텔레스코핑 핸들을 압력 와셔 본체에 밀어 넣습니다. 제자리에 고정되면 딸깍하는 소리가 들립니다.

3. 압력 와셔 8 를 이동하려면 운송용 바퀴 15 가 지면에 닿도록 장치를 기울이고 텔레스코핑 핸들로 장치를 당깁니다.

액세서리 보관함 (그림 E)

이 압력 세척기에는 스프레이 봉, 스프레이 핸들, 핸들 그림 및 노즐을 휴대할 수 있는 액세서리 보관함 41 이 내장되어 있습니다.

1. 수납 도어 10 의 잠금을 해제하려면 도어 래치 11 를 시계 반대 방향으로 돌리고 도어를 뒤집어 열어 스프레이 봉 2, 스프레이 핸들 4, 핸들 그림 5, 터보 노즐 22 및 조절식 스프레이 노즐 23 에 접근합니다.
2. 수납도어 10 를 잠그려면 수납도어를 닫은 상태로 놓으십시오. 도어 래치 11 를 시계 방향으로 돌려 수납 도어를 제자리에 고정합니다.

스프레이 봉 조립 (그림 F)

1. 스프레이 핸들 4 을 핸들 그림 5 에 연결하려면 스프레이 핸들의 나사산 끝을 핸들 그림의 나사산 끝에 삽입합니다. 완전히 조여질 때까지 스프레이 핸들 4 을 시계 방향으로 돌립니다.
2. 스프레이 봉 2 을 스프레이 핸들 4 에 연결하려면 스프레이 봉의 나사산 끝을 스프레이 핸들의 나사산 칼라 42 에 삽입하십시오. 스레드 칼라 42 를 시계 방향으로 돌립니다.

고압 흡입 호스 보관 (그림 G)

이 고압 세척기에는 고압 호스를 운반할 수 있는 보관 공간이 내장되어 있습니다. 코일 호스는 호스 보관 버팀대 32 와 압력 와셔 장치 8 사이에 고정되어 있습니다.

1. 고압 호스 1 또는 흡입 호스 28 에 접근하려면 호스 보관 래치 33 를 풀고 호스 보관 버팀대 32 를 고압 세척기 장치 8 에서 돌려 빼십시오.
2. 호스 보관 스트랩 34 을 풀고 고압 세척 장치 8 에서 호스를 제거합니다.
3. 호스 보관 버팀대 32 를 돌려서 닫고 호스 보관 버팀대 33 를 고압 세척 장치 32 에 고정하는 호스 보관 래치 8 를 잠급니다.

고압호스 부착 (그림 H)



주의: 압력 와셔를 이동하기 위해 급수 호스를 당기지 마십시오. 이렇게 하면 호스 및/또는 펌프 흡입구가 손상될 수 있습니다.

참고: 꼬임을 방지하기 위해 설치하기 전에 고압 호스 1 를 풀니다.
참고: 호스를 설치할 때 십자형 나사를 사용하지 마십시오. 크로스 스레딩으로 인해 누수가 발생합니다.

1. 고압 호스 1 를 핸들 그림 5 에 연결하려면 호스 칼라 39 를 입구 커플러 40 에 끼웁니다.
2. 고압 호스를 고압 세척 장치 8 에 연결하려면 호스 칼라 40 를 고압 물 배출구 18 에 끼웁니다.

정원용 호스 부착 (그림 I)

참고: 정원 호스를 고압 세척기에 연결하기 전에 정원 호스에 물을 30초 동안 흐르게 하여 정원 호스 내부에 있는 이물질을 제거하십시오.

1. 정원 호스 38 를 고압 세척기 8 에 연결하려면 먼저 급수 필터 24 를 급수구 17 에 끼우십시오.

2. 킥 커넥트 호스 어댑터 **25** 의 베이스를 풀고 베이스를 호스 위로 밀니다. 멈출 때까지 킥 커넥트 호스 어댑터에 호스를 밀어 넣습니다. 베이스를 킥 커넥트 호스 어댑터 **25** 에 나사로 고정하여 호스를 킥 커넥트 호스 어댑터 **25** 에 고정합니다.
3. 킥 커넥트 호스 어댑터 **25** 를 급수 필터 **24** 에 "딸깍" 소리가 날 때까지 밀어 넣으십시오.
참고: 사용 후에는 항상 정원 호스를 분리하십시오.

노즐 부착 (그림 J)

! **위험:** 유체 주입 위험. 사람, 보호되지 않은 피부, 눈 또는 애완동물이나 동물에게 배출물을 직접 향하게 하지 마십시오. 심각한 부상을 입을 수 있습니다.

! **경고:** 날아가는 물체는 심각한 부상의 위험을 초래할 수 있습니다. 고압 세척기가 작동하는 동안 노즐을 교체하지 마십시오. 노즐을 교체하기 전에 고압 세척기를 끄니다.

1. 노즐을 스프레이 봉 **2** 에 연결하려면 스프레이 봉의 노즐 버튼 **3** 을 누르고 적절한 노즐을 삽입하십시오.
2. 노즐 버튼 **3** 에서 손을 떼면 노즐이 제자리에 고정됩니다.
3. 노즐이 제자리에 고정되도록 노즐을 세게 잡아당깁니다.

노즐 유형	적합한 애플리케이션
조정 가능한 노즐	부드러운 광각 청소용
터보 노즐	연마 청소용

참고: 터보 노즐 **22** 은 콘크리트 및 벽돌 청소에 적합합니다. 표면에 손상을 줄 수 있으므로 차량 청소용으로 이 노즐을 사용하지 않는 것이 좋습니다.

조정 가능한 노즐의 스프레이 패턴 조정 (그림 J)

노즐에서 분사되는 분사각도는 노즐을 회전시켜 조절할 수 있습니다. 이렇게 하면 분무 패턴이 약 0° 의 좁은 고충격 흐름에서 60° 의 넓은 팬 분무로 다양해집니다.

- 좁은 연필 제트 기류는 집중된 영역에 물의 영향을 분산시켜 청소 표면에 높은 충격력을 가합니다. 집중된 부분을 더 클리닝하려면 좁은 연필 제트 기류를 사용하십시오. 표면이 손상될 수 있으므로 주의하여 사용하십시오. 넓은 팬 패턴은 물의 영향을 더 넓은 영역에 분산시켜 표면 손상 위험을 줄여 탁월한 청소 기능을 제공합니다. 넓은 팬 패턴을 사용하면 넓은 표면을 더 빠르게 청소할 수 있습니다.

자흡식 흡입 호스를 부착하려면 (그림 K)

자흡식 흡입 호스를 사용하여 물통이나 기타 담수원에서 물을 끌어올립니다.

참고: 비누, 화학 물질, 더럽거나 부식성 액체(예: 창문 클리너, 식물성 식품, 비료 또는 표백제)를 흡입하는 데 사용하지 마십시오. 소금물과 함께 사용하지 마십시오.

참고: 자흡식 흡입 호스 **28** 를 설치할 때 교차 스레드를 피하십시오. 크로스 스레딩으로 인해 누수가 발생합니다.

1. 자흡식 흡입 호스 **28** 를 고압 세척기 장치 **8** 에 연결하려면 흡입 호스 칼라 **31** 를 물 흡입구 **17** 에 끼우십시오.

2. 흡입 호스 칼라 **31** 를 손으로 단단히 조입니다.
참고: 사용 후에는 항상 흡입 호스를 분리하십시오.
3. 흡입 호스의 다른 쪽 끝을 필터 **30** 와 함께 담수 용기 또는 담수 공급원에 넣습니다.
4. 흡입 호스의 플로트 볼 **29** 을 조정하여 필터 **30** 가 액체에 잠겨 있도록 합니다.
5. 사용할 올바른 노즐을 선택하십시오. 노즐 부착
6. 수행 중인 작업이 완료되면 석션 호스를 깨끗한 물이 담긴 용기에 넣고 시스템을 통해 깨끗한 물을 끌어와 헹굽니다.
참고: 자흡식 흡입 호스를 사용할 때 고압 세척기가 자가 프라이밍하는 데 몇 분 정도 걸릴 수 있습니다. 압력 역서가 켜져 있고 스프레이 봉의 트리거가 프라이밍될 때까지 단겨져 있는지 확인하십시오.

고압 폼 캐논 부착 (그림 L)

1. 고압 폼 캐논 **26** 과 스프레이 봉 **2** 을 연결하려면 노즐버튼 **3** 을 누르고 폼캐논을 삽입합니다.
2. 노즐 버튼 **3** 에서 손을 떼면 고압 폼 캐논 **26** 이 제자리에 고정됩니다.
3. 고압 폼 캐논 **26** 을 단단히 잡아당겨 제자리에 고정되었는지 확인하십시오.

참고: 폼캐논은 스프레이 봉 아래에 위치해야 합니다. 스프레이 봉 위에 고압 폼 캐논을 두지 마십시오. 이렇게 하면 스프레이 봉에 비누가 떨어질 수 있습니다. 고압 폼 캐논 **26** 의 스프레이 팁은 수직 또는 수평 도포를 위해 회전합니다.

조작

사용 지침

- !** **경고:** 항상 안전 지시 사항과 해당 규정을 준수하십시오.
- !** **경고:** 심각한 부상의 위험을 줄이려면 조정을 하거나 부착물 또는 액세서리를 제거 / 설치하기 전에 기기를 끄고 배터리 팩을 분리하십시오. 공구가 갑자기 작동하여 부상을 당할 수 있습니다.

배터리 팩 설치 및 제거 (그림 M, N)

이 고압 세척기는 동일한 용량의 배터리 팩 2개로 작동하도록 설계되었습니다. 고압 세척기는 단일 배터리 팩에서는 작동하지 않으며, 다른 용량의 배터리 팩을 사용하는 경우 용량이 작은 배터리 팩이 고갈되면 장치가 꺼집니다.

참고: 최상의 결과를 얻으려면 배터리 팩이 모두 완전히 충전되어 있는지 확인하십시오.

배터리 팩을 설치하려면

- !** **경고:** 배터리 팩을 설치하기 전에 속도 선택 스위치가 OFF, 중앙 위치에 있는지 확인하십시오.
- !** **주의:** 배터리 포트 도어가 열리면 장치 작동이 중지됩니다. 속도 선택 스위치가 HI 또는 LO 위치에 있으면 배터리 포트 도어가 닫힐 때 장치의 전원이 켜집니다.
- !** **주의:** 배터리 포트 도어를 닫을 때 트리거를 잡지 마십시오.

1. 배터리 포트 도어 **20**의 잠금을 해제 하고 배터리 포트 도어 래치 **21**를 시계 반대 방향으로 돌린 다음 배터리 포트 도어를 돌려서 열어 배터리 포트에 접근합니다.
2. 배터리 팩 **35**을 배터리 포트 내부의 레일에 맞추고 배터리 팩이 어플라이언스에 단단히 고정될 때까지 밀어 넣고 분리되지 않도록 합니다.
3. 배터리 포트 도어 **20**를 잠그고 배터리 포트 도어 **20**를 닫아 압력 와셔 장치**8**에 밀봉합니다.
4. 배터리 포트 도어 래치 **21**를 시계 방향으로 돌려 배터리 포트 도어를 잠급니다. 기기를 작동하기 전에 배터리 포트 도어가 제자리에 완전히 잠겨 있는지 확인하십시오.
참고: 배터리 포트 도어가 완전히 닫히지 않고 잠기지 않으면 장치가 작동하지 않습니다.

배터리 팩을 제거하려면

1. 배터리 포트 도어 래치 **21**를 시계 반대 방향으로 돌리고 배터리 포트 도어를 당겨서 열어 배터리 팩 **35**에 접근합니다.
2. **36**의 배터리 해제 버튼 **35**을 누르고 배터리 팩을 기기에서 힘껏 잡아당기십시오.
3. 이 설명서의 충전기 섹션에 설명된 대로 배터리를 충전기에 삽입합니다.
4. 배터리 포트 도어 **20**를 닫아 압력 와셔 장치 **8**에 밀봉하고 잠급니다. 배터리 포트 도어가 제자리에 완전히 잠겨 있는지 확인하십시오.


연료 게이지 배터리 팩 (그림 B)


일부 DeWALT 배터리 팩에는 배터리 팩에 남아 있는 충전 수준을 나타내는 3개의 녹색 LED 표시등으로 구성된 연료 게이지가 있습니다.

연료 게이지를 작동하려면 연료 게이지 버튼 **43**을 길게 누릅니다. 녹색 LED 표시등 3 개가 조합되어 커짐으로써 충전 잔량 수준을 나타냅니다. 배터리 잔량이 사용 가능한 한계치 미만이면 배터리 잔량 표시계가 켜지지 않으므로 배터리를 재충전해야 합니다.

참고: 잔량표시계는 배터리 팩에 남아 있는 충전 레벨을 나타내는 것일 뿐입니다. 기기의 기능성을 나타내는 것이 아니며 제품 구성품, 온도 및 최종 사용자의 용도에 따라 변경될 수 있습니다.

올바른 손 위치 (그림 O)

 **경고:** 심각한 신체 부상의 위험을 줄이려면 항상 그림과 같이 올바르게 손을 위치하십시오.

 **경고:** 심각한 신체 부상의 위험을 줄이려면 항상 갑작스러운 반동을 예상하고 확실하게 잡으십시오.

올바른 손 위치는 한 손으로 스프레이 핸들 그림 **5**을 잡고 다른 손으로 스프레이 핸들 **4**을 잡아야 합니다.

올바른 압력 와셔 장치 위치 (그림 A, C)

 **주의:** 작동 전:

그림과 같이 발 **16**과 바퀴 **15**가 바닥에 닿도록 장치를 항상 똑바로 세우십시오.C.

참고: 수직으로 서 있거나 옆으로 놓거나 바닥에 뒤집힌 상태로 고압 세척기를 사용하지 마십시오.

속도 선택 스위치 (그림 A, P)

이 고압 세척기는 더 섬세한 작업을 위해 고압 또는 저압에서 작동하도록 선택할 수 있으며 고성능 청소를 위해 압력을 높일 수도 있습니다.

속도 선택기 스위치 **9**는 세 위치로 전환됩니다.

- 꺼짐, 중앙.
- H, 오른쪽.
- LO, 왼쪽.

압력 와셔를 꺼려면 속도 선택 스위치 **9**를 오른쪽 또는 왼쪽 위치로 전환합니다.

압력 와셔를 끄려면 속도 선택 스위치 **9**를 중앙 위치로 전환합니다.

더 높은 압력으로 세척하려면, 속도 선택 스위치 **9**를 오른쪽의 "H" 위치로 누르십시오. 이 모드는 더 높은 압력/바가 필요한 애플리케이션에 가장 적합합니다.

더 낮은 압력으로 세척하려면, 속도 선택 스위치 **9**를 왼쪽으로 "LO" 위치로 누릅니다. 이 모드는 보다 섬세한 청소가 필요한 프로젝트에 가장 적합합니다. 이 모드는 또한 일반적으로 더 많은 런타임을 제공합니다.

참고: "H" 모드에서는 고압 세척기가 "LO" 모드에 있을 때보다 작동 시간이 줄어듭니다.


부스트 모드를 활성화하려면 부스트 버튼 **19**을 누르십시오. 활성화되면 녹색 LED가 켜집니다. 이 모드는 사용 가능한 최대 막대가 필요한 애플리케이션에 가장 적합합니다.

참고: 부스트 모드는 최대 10분 동안만 작동합니다. 10분 전에 부스트 버튼 **19**을 다시 누르면 부스트 모드가 종료되고 속도 선택 스위치 **9**가 설정된 모드로 돌아옵니다. 10분이 지나면 녹색 LED가 깜박이기 시작하고 장치는 부스트 모드가 시간 초과된 후 속도 선택기 스위치 **9**가 설정된 모드로 돌아옵니다.

참고: 부스트 모드를 10분 동안 사용한 후 장치는 부스트 버튼 **19**을 다시 눌러 부스트 모드로 돌아갈 수 있습니다.

참고: 부스트 모드를 사용하면 전체 실행 시간이 단축됩니다.

고압 세척 (그림 A-P)

 **경고:** 심각한 부상의 위험을 줄이려면 조정 또는 부착물 또는 액세서리 제거 / 설치 전에 공구를 끄고 배터리 팩을 제거하십시오. 실수로 갑자기 작동하면 부상을 입을 수 있습니다.

청소를 위한 표면 준비

- 어린이 장난감이나 실외 가구와 같이 위험을 초래할 수 있는 물건을 구역에서 치워 주십시오.
- 모든 문과 창문이 꼭 닫혀 있는지 확인합니다. 과도한 스프레이로 인해 손상되지 않도록 천으로 인접 지역의 모든 식물과 나무를 보호합니다.
- 깨끗한 물로 청소 영역을 미리 헹굽니다.
- 고압세척기를 세제만 사용하십시오.
- 사용하기 전에 항상 눈에 띄지 않는 영역에서 세제를 테스트하십시오.

압력 세척기 장치 사용 준비



위험: 유체 주입 및 열상 위험. 고압 설정을 사용할 때 고압 스프레이가 보호되지 않은 피부, 눈 또는 애완동물이나 동물과 접촉하지 않도록 하십시오. 심각한 부상을 입을 수 있습니다.



주의: 작동 전:

1. 고압 호스를 압력 와셔와 압력봉에 연결합니다. 고압 호스를 고압 세척기 및 압력 봉에 연결하는 방법은 조립 및 조정 의 고압 호스 연결을 참조하십시오.
2. 물 공급 장치를 고압 세척기에 연결하십시오. 물 공급 장치를 고압 세척기에 연결하는 방법은 조립 및 조정의 정원 호스 연결을 참조하십시오.
3. 2개의 배터리 팩 **35**를 설치합니다. 배터리 포트 도어 **20**를 닫고 잠급니다. 도어가 제자리에 완전히 잠겨 있는지 확인하십시오. 배터리 팩 설치 및 제거의 배터리 팩 설치하기를 참조하십시오.

스프레이 봉 준비하기 (그림 A, F)

중요사항: 압력 와셔 장치를 켜기 전에 트리거 잠금 해제 **6**를 풀고 트리거 **7**를 당깁니다.

1. 스프레이 봉은 사용하기 전에 조립해야 합니다. 조립 및 조정의 스프레이 봉 조립을 참조하십시오.
2. 트리거 잠금 해제 **6**를 해제합니다.
3. 물 공급 장치를 켭니다.
4. 트리거 **7**를 당깁니다. 트리거를 30초 동안 누르고 있으면 시스템의 공기가 제거됩니다.
5. 물 흐름에 공기가 여전히 있는 경우 스프레이 봉을 통해 계속 물을 흘립니다.

표면 청소 (그림 P)

1. 압력 세척기를 시작하려면 속도 선택기 스위치 **9**를 H 또는 LO 위치로 전환합니다.
2. 청소 표면에 물을 분사하는 가장 좋은 각도는 45°입니다.
 - 헤드에 스프레이하면 먼지 입자가 표면에 스며드는 경향이 있습니다.
 - 수직 표면에서 작업할 때는 아래쪽에서 위쪽으로 세제를 바르는 것이 가장 좋습니다. 이렇게 하면 세제가 미끄러져 줄무늬가 생기는 것을 방지할 수 있습니다.
3. 스프레이 핸들을 돌리면 트리거를 놓으십시오.

고압세척기 이동 (그림 A-D)

1. 압력 와셔 장치를 끄고 **8** 속도 선택 스위치 **9**를 중앙 위치로 전환합니다. 그런 다음 물 공급 장치를 끕니다.
2. 스프레이 봉 **2**을 안전한 방향으로 향하게 하고 트리거 **7**를 당겨 남아 있는 수압을 해제합니다.
3. 스프레이 봉이 완전히 비어 텔레스코핑 핸들 **12**을 위로 당기고 바퀴 **15**를 사용하여 고압 세척 장치를 다음 위치로 당깁니다.

중요 (그림 A, H, I, N, P)

1. 압력 와셔 장치를 끄고 **8** 속도 선택 스위치 **9**를 중앙 위치로 전환합니다. 그런 다음 물 공급 장치를 끄고 압력 세척기 장치 **8**에서 배터리 팩을 제거합니다.

2. 스프레이 봉 **7**에서 더 이상 물이 나오지 않을 때까지 트리거 **2**를 눌러 잔압을 배출합니다.
3. 스프레이 트리거 잠금 장치 **6**를 맞춥니다.
4. 물 흡입구 **17**에서 정원 호스를 분리합니다.
5. 고압수 배출구 **1** 및 배수 호스에서 고압 호스 **18**를 분리합니다.

노즐 청소 (그림 A, Q)



경고: 심각한 부상의 위험을 줄이려면 조정 또는 부착물 또는 액세서리 제거 / 설치 전에 공구를 끄고 배터리 팩을 제거하십시오. 실수로 갑자기 작동하면 부상을 입을 수 있습니다.

노즐이 먼지와 같은 이물질로 막히면 과도한 압력이 발생할 수 있습니다. 노즐이 부분적으로 막히거나 제한되면 펌프 압력이 맥동합니다. 노즐 클리너를 사용하여 즉시 노즐을 청소합니다.

1. 압력 와셔 장치를 끄고 **8** 속도 선택 스위치 **9**를 중앙 위치로 전환합니다.
2. 그런 다음 물 공급 장치를 끄고 압력 세척기 장치 **8**에서 배터리 팩을 제거합니다.
3. 스프레이 핸들 **7**의 트리거 **4**를 당겨 수압을 해제합니다.
4. 스프레이 봉의 노즐 버튼 **2**을 누르고 노즐을 당겨서 스프레이 봉 스프레이 봉 **3**에서 노즐을 제거합니다.
5. 노즐 청소 기구 **27**를 사용하여 노즐에서 막힌 이물질을 제거합니다.
6. 노즐을 통해 수도꼭지나 정원 호스에서 물을 흘립니다.

흡입 호스 (그림 K)

1. 석션 호스 **28**를 청소하려면 압력 와셔를 끕니다.
2. 트리거 스위치를 당겨 수압을 해제합니다.
3. 압력 세척기에서 흡입 호스 **28**를 제거합니다.
4. 흡입 호스를 청소하려면 정원 호스의 물을 사용하여 흡입 호스를 완전히 헹구고 완전히 말리십시오.

흡입 호스 필터 (그림 R)

1. 흡입 호스 **30** 끝에 있는 필터 **28**를 시계 반대 방향으로 돌려 분리합니다.
2. 필터 내부에서 스트레이너를 제거합니다.
3. 깨끗한 물로 모든 부분을 헹구고 다시 조립합니다.

유지 보수

이 기기는 최소한의 유지보수로 장기간 작동하도록 설계되었습니다. 만족스러운 연속 작동은 적절한 기기 관리와 정기적인 청소에 따라 그 성능이 달라질 수 있습니다.



경고: 심각한 부상의 위험을 줄이려면 조정을 하거나 부착물 또는 액세서리를 제거/설치하기 전에 기기를 끄고 배터리 팩을 분리하십시오. 공구가 갑자기 작동하여 부상을 당할 수 있습니다.

충전기 및 배터리 팩은 수리할 수 없습니다.

윤활방법

이 기기는 별도의 윤활 작업이 필요하지 않습니다.

청소



경고: 감전 및 기계적 위험. 청소하기 전에 전기 제품을 전원에서 분리하십시오.



경고: 안전하고 효율적인 작동을 위해 전기 제품과 환기구를 항상 깨끗하게 유지하십시오.



경고: 기기의 비금속성 부품을 청소할 때는 용제 등의 강력한 화학약품을 절대 사용하지 마십시오. 이러한 화학 물질은 이러한 부품에 사용된 재료를 약화시킬 수 있습니다. 물과 순한 비누로만 적신 천을 사용하십시오. 제품 내부에 액체가 들어가지 않도록 하고 제품의 어떤 부분도 액체에 담그지 마십시오.

통풍구는 건조하고 부드러운 비금속 브러시 및/또는 적합한 진공 청소기를 사용하여 청소할 수 있습니다. 물이나 세척제를 사용하지 마십시오. 승인된 보안경과 승인된 방진 마스크를 착용하십시오.

보관함 (그림 C, E, S)

- 배터리를 제거한 상태로 동결 온도 이상의 건조하고 덩개가 있는 장소에 보관하십시오. 실내에 보관하십시오.
- 고압 호스, 고압 세척기, 노즐 및 스프레이 봉에서 항상 물을 완전히 비우십시오.
- 노즐은 그림 및 그림과 같이 보관함 41 E 의 노즐 보관 슬롯에 보관할 수 있습니다 S.
- 고압 호스와 석션 호스는 그림과 같이 케이지와 고압 세척 장치 8 사이에 감아 보관할 수 있습니다 C.
- 스프레이 봉은 그림과 같이 보관함 41 E 에 세 부분으로 나누어 보관할 수 있습니다 S.
- 고압 폼 캐논 26 은 그림과 같이 고압 세척 장치의 빌트인 보관 공간에 빈 상태로 보관할 수 있습니다 C.

옵션 액세서리



경고: DeWALT에서 제공하는 것 이외의 액세서리는 이 제품에서 테스트되지 않았으므로 이 공구와 함께 이러한 액세서리를 사용하면 위험할 수 있습니다. 부상 위험을 줄이려면 DeWALT권장 액세서리만 이 제품과 함께 사용해야 합니다.

해당 액세서리에 대한 자세한 정보는 판매 대리점으로 문의하십시오.

환경 보호



분리 수거. 이 기호가 표시된 제품 및 배터리는 일반 가정 쓰레기와 함께 폐기해서는 안 됩니다.

제품과 배터리에는 원재료 수요를 줄이기 위해 회수하거나 재활용할 수 있는 재료가 포함되어 있습니다. 지역 규정에 따라 전기 제품과 배터리를 재활용하십시오. 자세한 내용은 다음 웹사이트에서 찾아볼 수 있습니다 www.2helpU.com.

충전용 배터리 팩

이전에 쉽게 수행했던 작업에 대해 충분한 힘을 발휘하지 못하는 배터리 팩은 재충전해야 합니다. 배터리 수명이 다하면 환경 보호 차원에서 배터리 팩을 폐기하십시오.

- 배터리 팩을 완전히 사용하고 난 후 기기에서 분리하십시오.

- 리튬이온 전지는 재활용할 수 있습니다. 이 전지를 판매점이나 지역 재활용 센터로 가져가십시오. 수집된 배터리 팩은 재활용되거나 적절히 폐기됩니다

정비 및 수리

DeWALT 는 고객들에게 가장 효율적이고 신뢰할 수 있는 서비스를 제공하기 위하여 훈련된 직원들로 센터를 구성하고 있습니다. 사용자의 안전 및 제품의 신뢰성을 보장하기 위하여 제품의 정비, 유지 보수 및 수리는 반드시 공인된 서비스센터에서 수행해야 합니다. 자격이 없는 곳으로부터 받은 제품의 정비 및 수리는 사용자의 부상 위험 및 불이익을 초래할 수 있습니다. DEWALT 제품은 스탠다블랙앤데커 서비스 센터를 통해 서비스를 받으실 수 있습니다.

서비스 센터에는 교육을 이수한 전문 인원이 배치되어 있어 고객님에게 효과적이고 믿을 수 있는 제품 서비스를 제공하고 있습니다. 기타 서비스 관련 문의 사항이 있으실 경우 스탠다블랙앤데커 고객지원 센터 (1577-0933)으로 문의하십시오. 가까운 서비스센터 위치 안내는 고객지원 센터 및 공식 홈페이지를 참조해 주십시오.

