

---

**DEWALT**®

---

***XR LI-ION***

**[www.DEWALT.com](http://www.DEWALT.com)**

**DCMPS567**

---

English (*original instructions*)

5

---

한국어

20

---

Fig. A  
그림 A

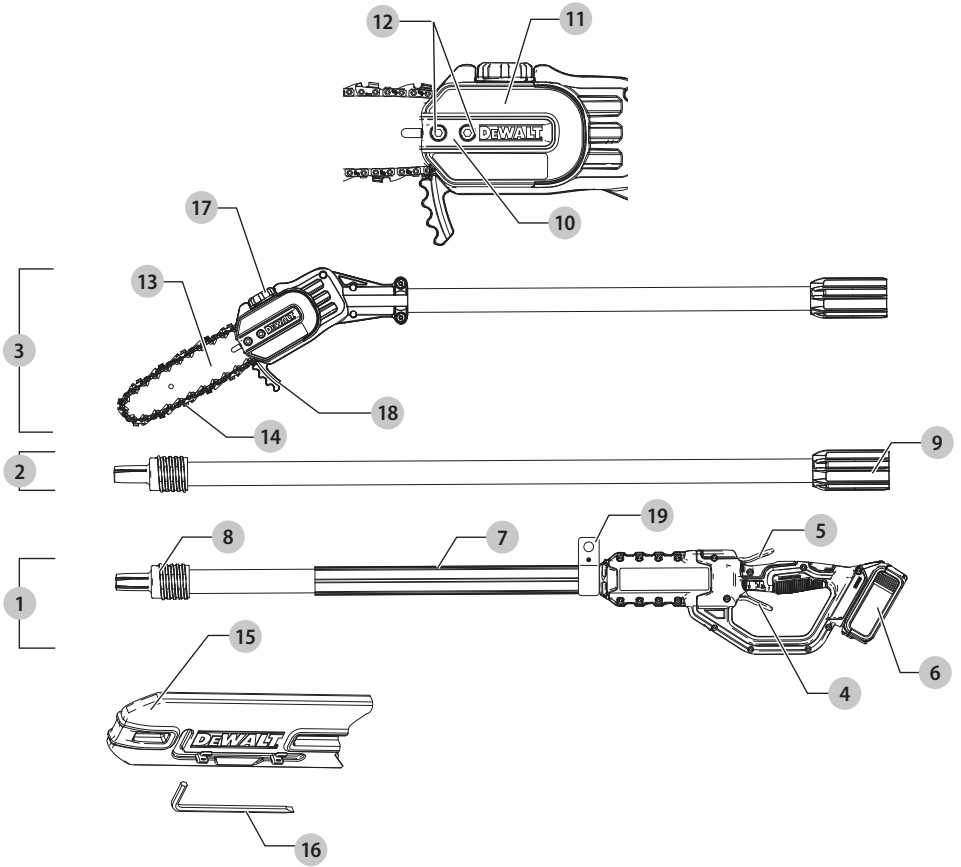


Fig. B  
그림 B

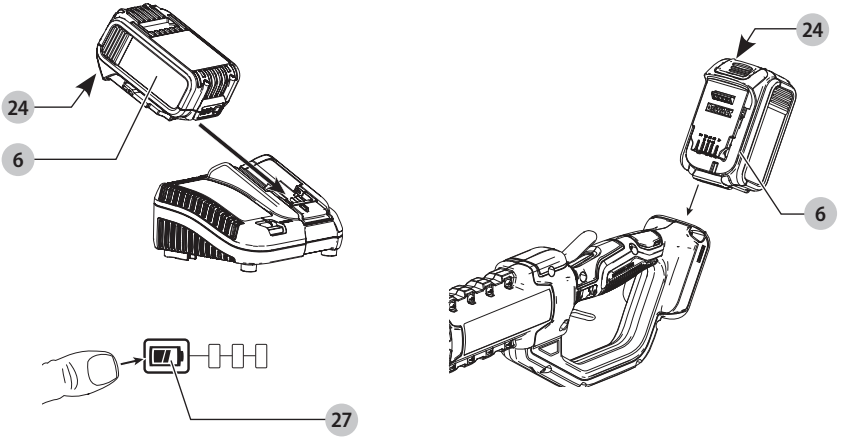


Fig. C  
그림 C

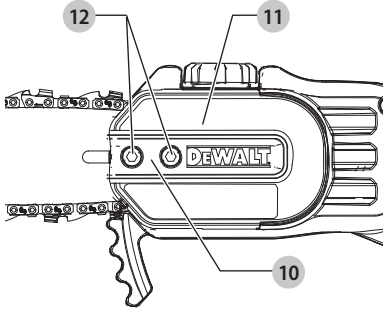


Fig. D  
그림 D

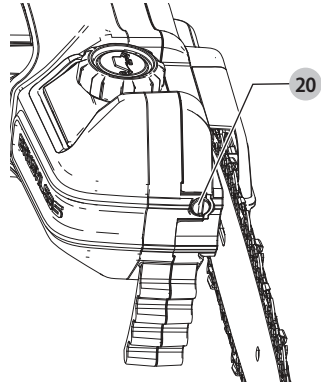


Fig. E  
그림 E

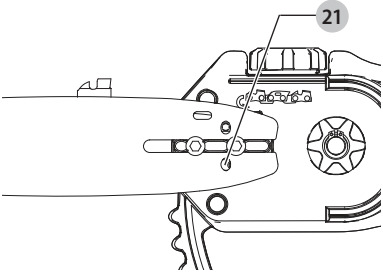


Fig. F  
그림 F

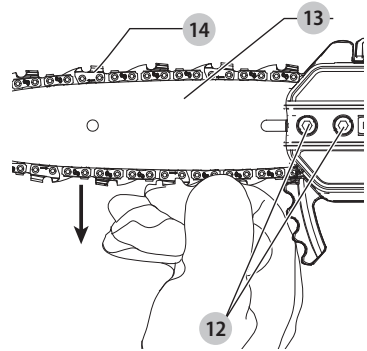


Fig. G  
그림 G

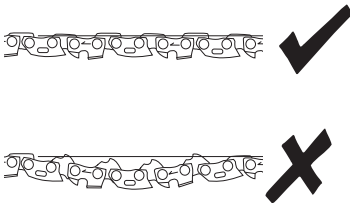


Fig. H  
그림 H

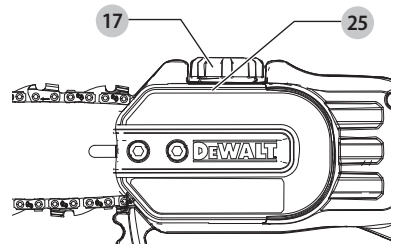


Fig. I  
그림 I



Fig. J  
그림 J

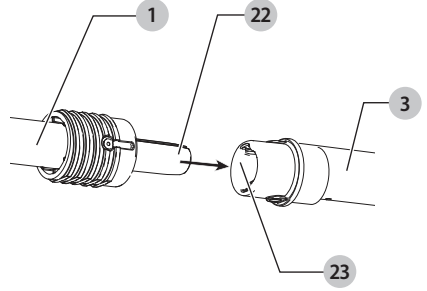


Fig. K  
그림 K

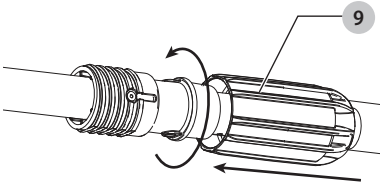


Fig. L  
그림 L

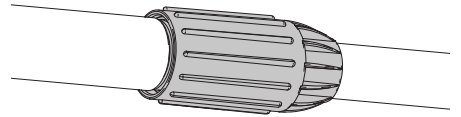


Fig. M  
그림 M



Fig. N  
그림 N

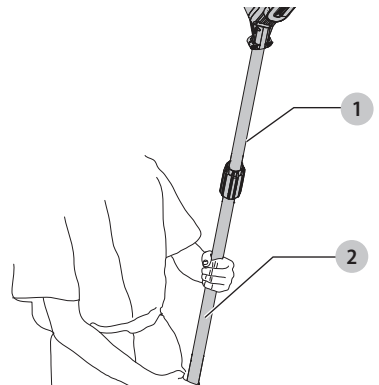


Fig. O  
그림 O

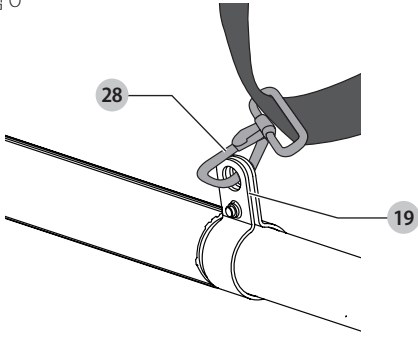


Fig. P  
그림 P

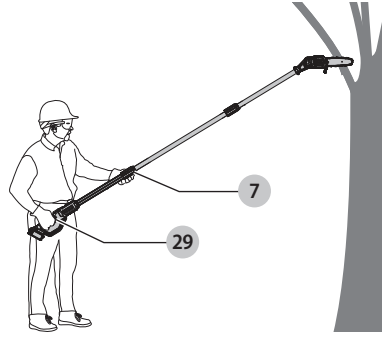


Fig. Q  
그림 Q

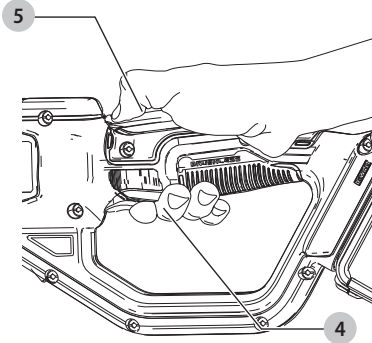
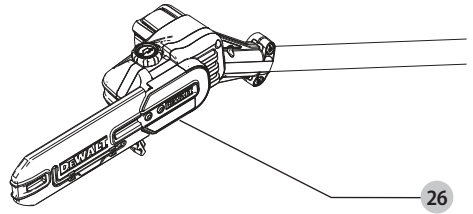


Fig. R  
그림 R



# POLE SAW

## DCMPS567

### Congratulations!

You have chosen a DEWALT tool. Years of experience, thorough product development and innovation make DEWALT one of the most reliable partners for professional power tool users.

### Technical Data

		DCMPS567
Voltage	V <sub>bc</sub>	18(20 Max)
Battery type		Li-Ion
Bar Length	cm	20
Maximum Chain Speed (no-load)	m/s	6,5
Maximum Cutting Length	cm	15
Oil Capacity	ml	115
Weight (without battery pack)	kg	3.8

Batteries				Chargers / Charge Times (Minutes)							
Cat#	V <sub>bc</sub>	Ah	Weight(kg)	DCB104	DCB107	DCB112	DCB113	DCB115	DCB118	DCB132	DCB119
DCB546/DCB606	18/54 (20/60 Max)	6.0/2.0	1.05	60	270	170	140	90	60	90	X
DCB547/DCB609	18/54 (20/60 Max)	9.0/3.0	1.46	75*	420	270	220	135*	75*	135*	X
DCB548/DCB612	18/54 (20/60 Max)	12.0/4.0	1.44	120	540	350	300	180	120	180	X
DCB181	18 (20 Max)	1.5	0.35	22	70	45	35	22	22	22	45
DCB182/DCB204	18 (20 Max)	4.0	0.61	60/40**	185	120	100	60	60/40**	60	120
DCB183/DCB203	18 (20 Max)	2.0	0.40	30	90	60	50	30	30	30	60
DCB184/DCB205	18 (20 Max)	5.0	0.62	75/50**	240	150	120	75	75/50**	75	150
DCB185	18 (20 Max)	1.3	0.35	22	60	40	30	22	22	22	X
DCB187	18 (20 Max)	3.0	0.54	45	140	90	70	45	45	45	90
DCB189	18 (20 Max)	4.0	0.54	60	185	120	100	60	60	60	120

\*Date code 201811475B or later

\*\*Date code 201536 or later



**WARNING:** To reduce the risk of injury, read the instruction manual.

### Definitions: Safety Guidelines

The definitions below describe the level of severity for each signal word. Please read the manual and pay attention to these symbols.



**DANGER:** Indicates an imminently hazardous situation which, if not avoided, **will** result in **death or serious injury**.



**WARNING:** Indicates a potentially hazardous situation which, if not avoided, **could** result in **death or serious injury**.



**CAUTION:** Indicates a potentially hazardous situation which, if not avoided, **may** result in **minor or moderate injury**.



**NOTICE:** Indicates a practice **not related to personal injury** which, if not avoided, **may** result in **property damage**.



Denotes risk of electric shock.



Denotes risk of fire.

## GENERAL POWER TOOL SAFETY WARNINGS



**WARNING:** Read all safety warnings, instructions, illustrations and specifications provided with this power tool. Failure to follow all instructions listed below may result in electric shock, fire and/or serious injury.

### SAVE ALL WARNINGS AND INSTRUCTIONS FOR FUTURE REFERENCE.

The term "power tool" in the warnings refers to your mains-operated (corded) power tool or battery-operated (cordless) power tool.

#### Work Area Safety

- a) **Keep work area clean and well lit.** Cluttered or dark areas invite accidents.
- b) **Do not operate power tools in explosive atmospheres, such as in the presence of flammable liquids, gases or dust.** Power tools create sparks which may ignite the dust or fumes.
- c) **Keep children and bystanders away while operating a power tool.** Distractions can cause you to lose control.

#### Electrical Safety

- d) **Power tool plugs must match the outlet. Never modify the plug in any way. Do not use any adapter plugs with earthed (grounded) power tools.**  
Unmodified plugs and matching outlets will reduce risk of electric shock.
- e) **Avoid body contact with earthed or grounded surfaces such as pipes, radiators, ranges and refrigerators.** There is an increased risk of electric shock if your body is earthed or grounded.
- f) **Do not expose power tools to rain or wet conditions.**  
Water entering a power tool will increase the risk of electric shock.
- g) **Do not abuse the cord. Never use the cord for carrying, pulling or unplugging the power tool. Keep cord away from heat, oil, sharp edges or moving parts.** Damaged or entangled cords increase the risk of electric shock.
- h) **When operating a power tool outdoors, use an extension cord suitable for outdoor use.** Use of a cord suitable for outdoor use reduces the risk of electric shock.
- i) **If operating a power tool in a damp location is unavoidable, use a residual current device (RCD) protected supply.** Use of an RCD reduces the risk of electric shock.

#### Personal Safety

- j) **Stay alert, watch what you are doing and use common sense when operating a power tool. Do not use a power tool while you are tired or under the influence of drugs, alcohol or medication.** A moment of inattention while operating power tools may result in serious personal injury.
- k) **Use personal protective equipment. Always wear eye protection.** Protective equipment such as a dust mask, non-skid safety shoes, hard hat or hearing protection used for appropriate conditions will reduce personal injuries.

- l) **Prevent unintentional starting. Ensure the switch is in the off-position before connecting to power source and/or battery pack, picking up or carrying the tool.** Carrying power tools with your finger on the switch or energising power tools that have the switch on invites accidents.
- m) **Remove any adjusting key or wrench before turning the power tool on.** A wrench or a key left attached to a rotating part of the power tool may result in personal injury.
- n) **Do not overreach. Keep proper footing and balance at all times.** This enables better control of the power tool in unexpected situations.
- o) **Dress properly. Do not wear loose clothing or jewellery. Keep your hair and clothing away from moving parts.** Loose clothes, jewellery or long hair can be caught in moving parts.
- p) **If devices are provided for the connection of dust extraction and collection facilities, ensure these are connected and properly used.** Use of dust collection can reduce dust-related hazards.
- q) **Do not let familiarity gained from frequent use of tools allow you to become complacent and ignore tool safety principles.** A careless action can cause severe injury within a fraction of a second.

#### Power Tool Use and Care

- r) **Do not force the power tool. Use the correct power tool for your application.** The correct power tool will do the job better and safer at the rate for which it was designed.
- s) **Do not use the power tool if the switch does not turn it on and off.** Any power tool that cannot be controlled with the switch is dangerous and must be repaired.
- t) **Disconnect the plug from the power source and/or remove the battery pack, if detachable, from the power tool before making any adjustments, changing accessories, or storing power tools.** Such preventive safety measures reduce the risk of starting the power tool accidentally.
- u) **Store idle power tools out of the reach of children and do not allow persons unfamiliar with the power tool or these instructions to operate the power tool.** Power tools are dangerous in the hands of untrained users.
- v) **Maintain power tools and accessories. Check for misalignment or binding of moving parts, breakage of parts and any other condition that may affect the power tool's operation. If damaged, have the power tool repaired before use.** Many accidents are caused by poorly maintained power tools.
- w) **Keep cutting tools sharp and clean.** Properly maintained cutting tools with sharp cutting edges are less likely to bind and are easier to control.
- x) **Use the power tool, accessories and tool bits, etc. in accordance with these instructions, taking into account the working conditions and the work to be performed.** Use of the power tool for operations different from those intended could result in a hazardous situation.



- y) **Keep handles and grasping surfaces dry, clean and free from oil and grease.** Slippery handles and grasping surfaces do not allow for safe handling and control of the tool in unexpected situations.

### Battery Tool Use and Care

- z) **Recharge only with the charger specified by the manufacturer.** A charger that is suitable for one type of battery pack may create a risk of fire when used with another battery pack.
- aa) **Use power tools only with specifically designated battery packs.** Use of any other battery packs may create a risk of injury and fire.
- ab) **When battery pack is not in use, keep it away from other metal objects, like paper clips, coins, keys, nails, screws or other small metal objects, that can make a connection from one terminal to another.** Shorting the battery terminals together may cause burns or a fire.
- ac) **Under abusive conditions, liquid may be ejected from the battery; avoid contact. If contact accidentally occurs, flush with water. If liquid contacts eyes, additionally seek medical help.** Liquid ejected from the battery may cause irritation or burns.
- ad) **Do not use a battery pack or tool that is damaged or modified.** Damaged or modified batteries may exhibit unpredictable behaviour resulting in fire, explosion or risk of injury.
- ae) **Do not expose a battery pack or tool to fire or excessive temperature.** Exposure to fire or temperature above 130 °C may cause explosion.
- af) **Follow all charging instructions and do not charge the battery pack or tool outside the temperature range specified in the instructions.** Charging improperly or at temperatures outside the specified range may damage the battery and increase the risk of fire.

### Service

- ag) **Have your power tool serviced by a qualified repair person using only identical replacement parts.** This will ensure that the safety of the power tool is maintained.
- ah) **Never service damaged battery packs.** Service of battery packs should only be performed by the manufacturer or authorized service providers.

## IMPORTANT SAFETY INSTRUCTIONS

### **WARNING:** To reduce risk of injury:


- Before any use, be sure everyone using this unit reads and understands all safety instructions and other information contained in this manual.
- Save these instructions and review frequently.

### **WARNING:** When using electric gardening appliances, basic safety precautions should always be followed to reduce risk of fire, electric shock, and personal injury, including the following.

1. **Avoid Dangerous Environment** – Don't use appliances in damp or wet locations.

2. **Don't Use In Rain.**
3. **Keep Children Away** – All visitors should be kept at a distance from work area.
4. **Dress Properly** – Do not wear loose clothing or jewelry. They can be caught in moving parts. Use of rubber gloves and substantial footwear is recommended when working outdoors. Wear protective hair covering to contain long hair.
5. **Use Safety Glasses** – Always use face or dust mask if operation is dusty.
6. **Use Right Appliance** – Do not use appliance for any job except that for which it is intended.
7. **Don't grasp the exposed cutting blades or cutting edges when picking up or holding the appliance.**
8. **Don't Force Appliance** – It will do the job better and with less likelihood of a risk of injury at the rate for which it was designed.
9. **Don't Overreach** – Keep proper footing and balance at all times.
10. **Stay Alert** – Watch what you are doing. Use common sense. Do not operate appliance when you are tired.
11. **Disconnect Appliance** – Remove the battery when not in use, before servicing, when changing accessories such as blades, and the like.
12. **Store Idle Appliances Indoors** – When not in use, appliances should be stored indoors in dry, and high or locked-up place – out of reach of children.
13. **Maintain Appliance With Care** – Keep cutting edge sharp and clean for best performance and to reduce the risk of injury. Follow instructions for lubricating and changing accessories. Inspect appliance power source periodically, and if damaged, have it repaired by an authorized service facility. Keep handles dry, clean, and free from oil and grease.
14. **Check Damaged Parts** – Before further use of the appliance, a guard or other part that is damaged should be carefully checked to determine that it will operate properly and perform its intended function. Check for alignment of moving parts, binding of moving parts, breakage of parts, mounting, and any other condition that may affect its operation. A guard or other part that is damaged should be properly repaired or replaced by an authorized service center unless indicated elsewhere in this manual.


## SAVE THESE INSTRUCTIONS

-  **WARNING - Do not operate near electrical power lines.** The unit has not been designed to provide protection from electric shock in the event of contact with overhead electric lines, Consult local regulations for safe distances from overhead electric power lines and ensure that the operating position is safe and secure before operating the saw chain pole pruner.
- **Keep all parts of the body away from the saw chain. Do not remove cut material or hold material to be cut when blades are moving. Make sure the switch is off when clearing jammed material. Blades coast after turn off.** A moment of inattention while operating the pole saw may result in serious personal injury.

- **Carry the pole saw by the handle with the saw chain stopped.** When transporting or storing the pole saw always fit the saw chain device cover. Proper handling of the pole saw will reduce possible personal injury from the saw chain.
- **Hold the power tool by insulated gripping surfaces only, because the cutter blade may contact hidden wiring.** A saw chain contacting a "live" wire may make exposed metal parts of the tool "live" and could give the operator an electric shock.
- **Do not use the pole saw in bad weather conditions, especially when there is a risk of lightning.** This decreases the risk of being struck by lightning.
- **Always use two hands when operating the pole saw.** Hold the pole saw with both hands to avoid loss of control.
- **Do not allow children or untrained individuals to use this unit.**
- **Wear the following safety gear when operating pole saw:**
  - heavy-duty gloves
  - steel-toed safety footwear with non-skid soles
  - safety glasses, goggles or face screen
  - safety hard hat
  - ear muffers or ear plugs
  - face or dust mask (if working in dusty areas)
- **Wear heavy long pants and boots.** Do not wear loose fitting clothing, short pants, jewelry of any kind, or go barefoot.
- **Secure long hair** so it is above shoulder level to prevent entanglement in any moving parts.
- **Before cutting, always provide the following:**
  - clear work area
  - secure footing
  - planned retreat path from falling limbs
- **Inspect tree before trimming.** Make allowance for branches to fall freely to the ground.
- **Do not use your pole saw to fell saplings.**


**Always use head protection when operating the pole saw overhead.** Falling debris can result in serious personal injury.


## SPECIFIC SAFETY RULES

-  **WARNING:** Some dust contains chemicals known to State of California to cause cancer, birth defects or other reproductive harm. Some examples of these chemicals are:
- compounds in fertilizers,
  - compounds in insecticides, herbicides and pesticides,
  - arsenic and chromium from chemically treated lumber.

To reduce your exposure to these chemicals, wear approved safety equipment such as dust masks that are specially designed to filter out microscopic particles.

- **Avoid prolonged contact with dust from power sanding, sawing, grinding, drilling, and other construction activities.** Wear protective clothing and wash exposed areas with soap and water. Allowing dust to get into your mouth, eyes, or lay on the skin may promote absorption of harmful chemicals.



-  **WARNING:** Use of this tool can generate and/or disburse dust, which may cause serious and permanent respiratory or other injury. Always use approved respiratory protection appropriate for the dust exposure. Direct particles away from face and body.

-  **CAUTION:** Wear appropriate personal hearing protection during use. Under some conditions and duration of use, noise from this product may contribute to hearing loss.

## Before Operating Pole Saw

- **For safe operation, read and understand all instructions before using the pole saw.** Follow all safety instructions. Failure to follow all safety instructions listed below, can result in serious personal injury.
- **Watch what you are doing.** Use common sense. Do not operate pole saw when you are tired.
- **Use pole saw for cutting tree branches only.** Do not use pole saw for purposes not intended. Do not use for cutting other items.
- **Only well-instructed adults should operate pole saw.** Never allow children to operate.
- **Stay alert.** Use common sense while operating the unit.
- **Keep work area clean.** Cluttered areas invite injuries.
- **Always remove battery from pole saw when finished cutting or when left unattended.**
- **Keep children, animals and bystanders at least 15 m away from pole saw.** Only pole saw user should be in work area.
- **Do not use the pole saw to cut down trees.**
- **Do not grasp the exposed saw chain when picking up or holding the pole saw.**
- **Grip pole saw securely - one hand on the pole, the other on the handle.**
- **Keep finger off trigger until ready to make cut.**
- **Before starting pole saw, make sure chain is not touching anything.**
- **Keep all parts of body away from chain when pole saw is running.**
- **Do not force pole saw while cutting.** Apply light pressure. It will do the job better and safer at the rate for which it was intended.
- **Carry pole saw from one place to another:**
  - with battery removed,
  - fingers off/away from trigger,
  - by holding pole at balance point, and
  - with guide bar and chain to rear and with scabbard attached.

## While Operating Pole Saw

-  **DANGER:** To reduce the risk of electric shock do no use on wet surfaces. Do not expose to rain. Store indoors.
-  **DANGER:** Avoid Unintentional Starting – with battery installed, don't carry appliance with with finger on switch. Be sure switch is off when installing battery.

- Do not cut small brush and saplings with the pole saw. Slender matter may catch in the chain and be whipped toward you. This could also pull you off balance.
- Do not operate in poor lighting.
- Keep firm footing and balance. Do not overreach. Overreaching can result in loss of balance or exposure to hot surfaces.
- Keep all parts of your body away from any moving part.
- Do not, under any circumstance, use any attachment or accessory on this product, which was not provided with the product, or identified as appropriate for use with this product in this instruction manual.
- Inspect pole saw before each use and after dropping or other impacts. Ensure there are no significant defects or damage.
- When servicing a tool, use only identical replacement parts. Follow instructions in the **Maintenance** section of this manual. Use of unauthorized parts or failure to follow maintenance instructions may create a risk of electric shock or injury.

## Guard Against Kickback



**WARNING:** KICKBACK may occur when the nose or tip of the guide bar touches an object, or when the wood closes in and pinches the saw chain in the cut. Tip contact in some cases may cause a lightning fast reverse reaction, kicking the guide bar up and back towards the operator. Pinching the saw chain along the top of the guide bar may push the guide bar rapidly back towards the operator. Either of these reactions may cause you to lose control of the saw which could result in serious injury to user.



**THE FOLLOWING PRECAUTIONS SHOULD BE FOLLOWED TO MINIMIZE KICKBACK:**

- Grip pole saw firmly. Hold the saw firmly with both hands when the unit is running. Use a firm grip with thumbs and fingers encircling the saw handle and pole.
- Do not overreach.
- Keep proper footing and balance at all times.
- Don't let the nose of the guide bar contact a log, branch, ground or other obstruction.
- Do not extend pole saw handle above shoulder height.
- Use devices such as reduced kickback chain, chain braking system and special guide bars that reduce the risks associated with kickback.
- Only use replacement bars and chains specified by the manufacturer or the equivalent.
- Never let the moving chain contact any object at the tip of the guide bar.
- Keep the working area free from obstructions such as other trees, branches, rocks, fences, stumps, etc. Eliminate or avoid any obstruction that your saw chain could hit while you are cutting through a particular log or branch.
- Keep your saw chain sharp and properly tensioned. A loose or dull chain can increase the chance of kickback. Check tension at regular intervals with the motor stopped and battery removed.
- Begin and continue cutting only with the chain moving at full speed. If the chain is moving at a slower speed, there is a greater chance for kickback to occur.
- Cut one branch at a time.
- Use extreme caution when re-entering a previous cut. Engage spiked bumpers into wood and allow chain to reach full speed before proceeding with cut.
- Do not attempt plunge cuts or bore cuts.
- Watch for shifting branches or other forces that could close a cut and pinch or fall into chain.

## Do Not Operate Pole Saw:

- while under the influence of alcohol, medication, or drugs.
- in rain or in damp or wet areas.
- where highly flammable liquids or gases are present.
- if pole saw is damaged, adjusted incorrectly, or not fully and securely assembled.
- if trigger does not turn pole saw on and off. Chain must stop moving when you release trigger. Have faulty switch replaced by authorized service center. See **Accessories** under **Maintenance**.
- while in a hurry.
- while in a tree or on a ladder.
- while on aerial booms, buckets or platforms.
- during high wind or storming weather.

## GENERAL SAFETY RULES



**DANGER: Shock Hazard.** Serious injury or death from electrocution if power lines are contacted. Never use near any electrical source, wires, or power lines.



**WARNING: For safe operation read and understand owner's manual.** Wear face shield (and/or safety glasses) and hard hat to protect against falling debris. Always have a clear work area, retreat path, and be aware of limb/branch location to avoid falling limbs and debris. Keep bystanders 15 m away when operating saw. To reduce the risk of electric shock do not use on wet surfaces. Do not expose to rain. Store indoors.

- To protect yourself from falling branches do not stand directly under the branch or limb being cut. This unit should not be held at an angle over 60° from ground level.
- Keep the handles dry, clean, and free of oil.
- Before you start the unit, make sure the chain is not contacting any object.
- Make sure the cutting chain has stopped before setting the unit down.

## Service

- Tool service must be performed only by qualified repair personnel. Service or maintenance performed by unqualified personnel could result in a risk of injury. Refer to the **Maintenance** section of this manual.

## Kickback Safety Features



**WARNING:** The following features are included on your pole saw to help reduce the hazard of kickback; however such features will not totally eliminate this dangerous reaction. As a pole saw user do not rely only on safety devices. You must follow all safety precautions, instructions, and maintenance in this manual to help avoid kickback and other forces which can result in serious injury.

- **Reduced-Kickback Guide Bar**, designed with a small radius tip which reduces the size of the kickback danger zone on bar tip. A reduced-kickback guide bar is one which has been demonstrated to significantly reduce the number and seriousness of kickbacks when tested in accordance with safety requirements for electric chain saws.
- **Reduced Kickback Chain**, designed with a contoured depth gauge and guard link which deflect kickback force and allow wood to gradually ride into the cutter. A reduced-kickback chain is a chain which has met kickback performance requirements when tested on the representative sample of chain saws.

## Pole Saw Names and Terms

- **Drive Sprocket or Sprocket** - The toothed part that drives the saw chain.
- **Guide Bar** - A solid railed structure that supports and guides the saw chain.
- **Guide Bar Scabbard** - Enclosure fitted over guide bar to prevent tooth contact when saw is not in use.
- **Kickback** - The backward or upward motion, or both of the guide bar occurring when the saw chain near the nose of the top area of the guide bar contacts any object such as a log or branch, or when the wood closes in and pinches the saw chain in the cut.
- **Reduced Kickback Chain** - A chain that complies with the kickback performance requirements. (when tested on a representative sample of chain saws).
- **Reduced Kickback Guide Bar** - A guide bar which has been demonstrated to reduce kickback significantly.
- **Replacement Saw Chain** - A chain that complies with kickback performance requirements when tested with specific chain saws. It may not meet performance requirements when used with other saws.
- **Saw Chain** - A loop of chain having cutting teeth, that cut the wood, and that is driven by the motor and is supported by the guide bar.
- **Spiked Bumper (Spike)** - The pointed tooth or teeth for use when pruning to pivot the saw and maintain position while sawing.
- **Switch** - A device that when operated will complete or interrupt an electrical power circuit to the motor of the chain saw.
- **Switch Lockout** - A movable stop that prevents the unintentional operation of the switch until manually actuated.
- **Trimming (Pruning)** - Process of cutting limbs from a tree.

- **Undercut** - An upward cut from underside of a log or limb. This is done while in normal cutting position and cutting with top of guide bar.

## Storage

1. **Store indoors.** The best storage place is one that is cool and dry away from direct sunlight, excess heat or cold and out of the reach of children.
2. **Always reduce the tension off the chain again after finishing work. The chain contracts as it cools down.** If tension is not reduced, it can damage the saw.

## Residual Risks

In spite of the application of the relevant safety regulations and the implementation of safety devices, certain residual risks cannot be avoided. These are:

- Impairment of hearing.
- Risk of personal injury due to flying particles.
- Risk of burns due to accessories becoming hot during operation.
- Risk of personal injury due to prolonged use.

### SAVE THESE INSTRUCTIONS

## Chargers

DeWALT chargers require no adjustment and are designed to be as easy as possible to operate.

## Electrical Safety

The electric motor has been designed for one voltage only. Always check that the battery pack voltage corresponds to the voltage on the rating plate. Also make sure that the voltage of your charger corresponds to that of your mains.



Your DeWALT charger is double insulated in accordance with IEC60335; therefore no earth wire is required.

If the supply cord is damaged, it must be replaced by a specially prepared cord available through the DeWALT service organisation.

## Using an Extension Cable

An extension cord should not be used unless absolutely necessary. Use an approved extension cable suitable for the power input of your charger (see **Technical Data**). The minimum conductor size is 1 mm<sup>2</sup>; the maximum length is 30 m.

When using a cable reel, always unwind the cable completely.




## Important Safety Instructions for All Battery Chargers

**SAVE THESE INSTRUCTIONS:** This manual contains important safety and operating instructions for compatible battery chargers (refer to **Technical Data**).

- Before using charger, read all instructions and cautionary markings on charger, battery pack, and product using battery pack.



**WARNING:** Shock hazard. Do not allow any liquid to get inside charger. Electric shock may result.

-  **WARNING:** We recommend the use of a residual current device with a residual current rating of 30mA or less.
-  **CAUTION:** Burn hazard. To reduce the risk of injury, charge only DEWALT rechargeable batteries. Other types of batteries may burst causing personal injury and damage.
-  **CAUTION:** Children should be supervised to ensure that they do not play with the appliance.
- NOTICE:** Under certain conditions, with the charger plugged into the power supply, the exposed charging contacts inside the charger can be shorted by foreign material. Foreign materials of a conductive nature such as, but not limited to, steel wool, aluminum foil or any buildup of metallic particles should be kept away from charger cavities. Always unplug the charger from the power supply when there is no battery pack in the cavity. Unplug charger before attempting to clean
- **DO NOT attempt to charge the battery pack with any chargers other than the ones in this manual.** The charger and battery pack are specifically designed to work together.
- **These chargers are not intended for any uses other than charging DEWALT rechargeable batteries.** Any other uses may result in risk of fire, electric shock or electrocution.
- **Do not expose charger to rain or snow.**
- **Pull by plug rather than cord when disconnecting charger.** This will reduce risk of damage to electric plug and cord.
- **Make sure that cord is located so that it will not be stepped on, tripped over, or otherwise subjected to damage or stress.**
- **Do not use an extension cord unless it is absolutely necessary.** Use of improper extension cord could result in risk of fire, electric shock, or electrocution.
- **Do not place any object on top of charger or place the charger on a soft surface that might block the ventilation slots and result in excessive internal heat.**  
Place the charger in a position away from any heat source. The charger is ventilated through slots in the top and the bottom of the housing.
- **Do not operate charger with damaged cord or plug—** have them replaced immediately.
- **Do not operate charger if it has received a sharp blow, been dropped, or otherwise damaged in any way.** Take it to an authorised service centre.
- **Do not disassemble charger; take it to an authorised service centre when service or repair is required.** Incorrect reassembly may result in a risk of electric shock, electrocution or fire.
- *In case of damaged power supply cord the supply cord must be replaced immediately by the manufacturer, its service agent or similar qualified person to prevent any hazard.*
- **Disconnect the charger from the outlet before attempting any cleaning. This will reduce the risk of electric shock.** Removing the battery pack will not reduce this risk.
- **NEVER** attempt to connect two chargers together.

- **The charger is designed to operate on standard 220-240V household electrical power. Do not attempt to use it on any other voltage.** This does not apply to the vehicular charger.







## Charging a Battery (Fig. B)

1. Plug the charger into an appropriate outlet before inserting battery pack.
2. Insert the battery pack ① into the charger, making sure the battery pack is fully seated in the charger. The red (charging) light will blink repeatedly indicating that the charging process has started.
3. The completion of charge will be indicated by the red light remaining ON continuously. The battery pack is fully charged and may be used at this time or left in the charger. To remove the battery pack from the charger, push the battery release button ② on the battery pack.

**NOTE:** To ensure maximum performance and life of lithium-ion battery packs, charge the battery pack fully before first use.

## Charger Operation

Refer to the indicators below for the charge status of the battery pack.

Charge Indicators	
	Charging <span style="float: right;"></span>
	Fully Charged <span style="float: right;"></span>
	Hot/Cold Pack Delay* <span style="float: right;"></span>

\*The red light will continue to blink, but a yellow indicator light will be illuminated during this operation. Once the battery pack has reached an appropriate temperature, the yellow light will turn off and the charger will resume the charging procedure.

The compatible charger(s) will not charge a faulty battery pack. The charger will indicate faulty battery by refusing to light.

**NOTE:** This could also mean a problem with a charger.

If the charger indicates a problem, take the charger and battery pack to be tested at an authorised service centre.

## Hot/Cold Pack Delay

When the charger detects a battery pack that is too hot or too cold, it automatically starts a Hot/Cold Pack Delay, suspending charging until the battery pack has reached an appropriate temperature. The charger then automatically switches to the pack charging mode. This feature ensures maximum battery pack life.

A cold battery pack will charge at a slower rate than a warm battery pack. The battery pack will charge at that slower rate throughout the entire charging cycle and will not return to maximum charge rate even if the battery pack warms.

The DCB118 charger is equipped with an internal fan designed to cool the battery pack. The fan will turn on automatically when the battery pack needs to be cooled. Never operate the charger if the fan does not operate properly or if ventilation slots are blocked. Do not permit foreign objects to enter the interior of the charger.

## Electronic Protection System

XR Li-Ion tools are designed with an Electronic Protection System that will protect the battery pack against overloading, overheating or deep discharge.

The tool will automatically turn off if the Electronic Protection System engages. If this occurs, place the lithium-ion battery pack on the charger until it is fully charged.

## Wall Mounting

These chargers are designed to be wall mountable or to sit upright on a table or work surface. If wall mounting, locate the charger within reach of an electrical outlet, and away from a corner or other obstructions which may impede air flow. Use the back of the charger as a template for the location of the mounting screws on the wall. Mount the charger securely using drywall screws (purchased separately) at least 25.4 mm long with a screw head diameter of 7–9 mm, screwed into wood to an optimal depth leaving approximately 5.5 mm of the screw exposed. Align the slots on the back of the charger with the exposed screws and fully engage them in the slots.

## Charger Cleaning Instructions



**WARNING: Shock hazard. Disconnect the charger from the AC outlet before cleaning.** Dirt and grease may be removed from the exterior of the charger using a cloth or soft non-metallic brush. Do not use water or any cleaning solutions. Never let any liquid get inside the tool; never immerse any part of the tool into a liquid.

## Battery Packs

### Important Safety Instructions for All Battery Packs

When ordering replacement battery packs, be sure to include catalogue number and voltage.

The battery pack is not fully charged out of the carton. Before using the battery pack and charger, read the safety instructions below. Then follow charging procedures outlined.

#### READ ALL INSTRUCTIONS

- **Do not charge or use battery in explosive atmospheres, such as in the presence of flammable liquids, gases or dust.** Inserting or removing the battery from the charger may ignite the dust or fumes.
- **Never force battery pack into charger. Do not modify battery pack in any way to fit into a non-compatible charger as battery pack may rupture causing serious personal injury.**
- Charge the battery packs only in DeWALT chargers.
- **DO NOT splash or immerse in water or other liquids.**
- **Do not store or use the tool and battery pack in locations where the temperature may reach or exceed 40 °C (104 °F) (such as outside sheds or metal buildings in summer).**
- **Do not incinerate the battery pack even if it is severely damaged or is completely worn out.** The battery pack can explode in a fire. Toxic fumes and materials are created when lithium-ion battery packs are burned.

- **If battery contents come into contact with the skin, immediately wash area with mild soap and water.** If battery liquid gets into the eye, rinse water over the open eye for 15 minutes or until irritation ceases. If medical attention is needed, the battery electrolyte is composed of a mixture of liquid organic carbonates and lithium salts.
- **Contents of opened battery cells may cause respiratory irritation.** Provide fresh air. If symptoms persists, seek medical attention.



**WARNING: Burn hazard.** Battery liquid may be flammable if exposed to spark or flame.



**WARNING: Never attempt to open the battery pack for any reason.** If battery pack case is cracked or damaged, do not insert into charger. Do not crush, drop or damage battery pack. Do not use a battery pack or charger that has received a sharp blow, been dropped, run over or damaged in any way (i.e., pierced with a nail, hit with a hammer, stepped on). Electric shock or electrocution may result. Damaged battery packs should be returned to service centre for recycling.



**WARNING: Fire hazard. Do not store or carry the battery pack so that metal objects can contact exposed battery terminals.** For example, do not place the battery pack in aprons, pockets, tool boxes, product kit boxes, drawers, etc., with loose nails, screws, keys, etc.



**CAUTION: When not in use, place tool on its side on a stable surface where it will not cause a tripping or falling hazard.** Some tools with large battery packs will stand upright on the battery pack but may be easily knocked over.

## Transportation



**WARNING: Fire hazard.** Transporting batteries can possibly cause fire if the battery terminals inadvertently come in contact with conductive materials. When transporting batteries, make sure that the battery terminals are protected and well insulated from materials that could contact them and cause a short circuit. **NOTE:** Lithium-ion batteries should not be put in checked baggage.

DeWALT batteries comply with all applicable shipping regulations as prescribed by industry and legal standards which include UN Recommendations on the Transport of Dangerous Goods; International Air Transport Association (IATA) Dangerous Goods Regulations, International Maritime Dangerous Goods (IMDG) Regulations, and the European Agreement Concerning The International Carriage of Dangerous Goods by Road (ADR). Lithium-ion cells and batteries have been tested to section 38.3 of the UN Recommendations on the Transport of Dangerous Goods Manual of Tests and Criteria.

In most instances, shipping a DeWALT battery pack will be excepted from being classified as a fully regulated Class 9 Hazardous Material. In general, only shipments containing a lithium-ion battery with an energy rating greater than 100 Watt Hours (Wh) will require being shipped as fully regulated Class 9. All lithium-ion batteries have the Watt Hour rating marked on the pack. Furthermore, due to regulation complexities, DeWALT

does not recommend air shipping lithium-ion battery packs alone regardless of Watt Hour rating. Shipments of tools with batteries (combo kits) can be air shipped as excepted if the Watt Hour rating of the battery pack is no greater than 100 Whr.

Regardless of whether a shipment is considered excepted or fully regulated, it is the shipper's responsibility to consult the latest regulations for packaging, labeling/marketing and documentation requirements.

The information provided in this section of the manual is provided in good faith and believed to be accurate at the time the document was created. However, no warranty, expressed or implied, is given. It is the buyer's responsibility to ensure that its activities comply with the applicable regulations.

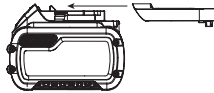
**Transporting the FLEXVOLT™ Battery**

The DeWALT FLEXVOLT™ battery has two modes: **Use** and **Transport**.

**Use Mode:** When the FLEXVOLT™ battery stands alone or is in a DeWALT 18V product, it will operate as an 18V battery. When the FLEXVOLT™ battery is in a 54V or a 108V (two 54V batteries) product, it will operate as a 54V battery.

**Transport Mode:** When the cap is attached to the FLEXVOLT™ battery, the battery is in Transport mode. Keep the cap for shipping.

When in Transport mode, strings of cells are electrically disconnected within the pack resulting in 3 batteries with a lower Watt hour (Wh) rating as compared to 1 battery with a higher Watt hour rating. This increased quantity of 3 batteries with the lower Watt hour rating can exempt the pack from certain shipping regulations that are imposed upon the higher Watt hour batteries.



For example, the Transport Wh rating might indicate 3 x 36 Wh, meaning 3 batteries of 36 Wh each.



The Use Wh rating might indicate 108 Wh (1 battery implied).

**Storage Recommendations**

1. The best storage place is one that is cool and dry away from direct sunlight and excess heat or cold. For optimum battery performance and life, store battery packs at room temperature when not in use.
2. For long storage, it is recommended to store a fully charged battery pack in a cool, dry place out of the charger for optimal results.

**NOTE:** Battery packs should not be stored completely depleted of charge. The battery pack will need to be recharged before use.

**Labels on Charger and Battery Pack**

In addition to the pictographs used in this manual, the labels on the charger and the battery pack may show the following pictographs:



Read instruction manual before use.



See **Technical Data** for charging time.



Do not probe with conductive objects.



Do not charge damaged battery packs.



Do not expose to water.



Have defective cords replaced immediately.



Charge only between 4 °C and 40 °C.



Only for indoor use.



Discard the battery pack with due care for the environment.



Charge DeWALT battery packs only with designated DeWALT chargers. Charging battery packs other than the designated DeWALT batteries with a DeWALT charger may make them burst or lead to other dangerous situations.



Do not incinerate the battery pack.



USE (without transport cap). Example: Wh rating indicates 108 Wh (1 battery with 108 Wh).



TRANSPORT (with built-in transport cap). Example: Wh rating indicates 3 x 36 Wh (3 batteries of 36 Wh).

**Battery Type**

The operate on a 18/20 Max volt battery pack.

These battery packs may be used: DCB181, DCB182, DCB183, DCB183B, DCB183G, DCB184, DCB184B, DCB184G, DCB185, DCB187, DCB189, DCB203, DCB204, DCB205, DCB546, DCB547, DCB548, DCB606, DCB609, DCB612.. Refer to **Technical Data** for more information.

**Date Code Position (Fig. A)**

The date code **14**, which also includes the year of manufacture, is printed into the housing.

Example:

2021 XX XX  
Year of Manufacture

## Package Contents

The package contains:

- 1 Pole saw
- 1 Shoulder strap
- 1 Li-Ion battery pack (C1, D1, L1, M1, P1, S1, T1, X1, Y1 models)
- 2 Li-Ion battery packs (C2, D2, L2, M2, P2, S2, T2, X2, Y2 models)
- 3 Li-Ion battery packs (C3, D3, L3, M3, P3, S3, T3, X3, Y3 models)
- 1 Instruction manual

**NOTE:** Battery packs, chargers and kitboxes are not included with N models. Battery packs and chargers are not included with NT models. B models include Bluetooth® battery packs.

**NOTE:** The Bluetooth® word mark and logos are registered trademarks owned by the Bluetooth®, SIG, Inc. and any use of such marks by is under license. Other trademarks and trade names are those of their respective owners.

- Check for damage to the tool, parts or accessories which may have occurred during transport.
- Take the time to thoroughly read and understand this manual prior to operation.

## Markings on Tool

The following pictograms are shown on the tool:



Read instruction manual before use.



Wear eye protection.



Wear ear protection.



Do not leave in rain.



Wear head protection.



Wear protective gloves.



Cut hazard. Keep fingers away from slot.



Wear protective footwear.



Rotational direction of the saw chain.



Electrocutation hazard. Keep at least 10 m away from overhead lines.



Switch the tool off. Before performing any maintenance on the tool, remove the battery from the tool.



Directive 2000/14/EC guaranteed sound power.



Keep bystanders away.



Keep bystanders away.

## Description (Fig. A)



**WARNING:** Never modify the power tool or any part of it. Damage or personal injury could result.

- |                         |                        |
|-------------------------|------------------------|
| 1 Handle assembly       | 11 Sprocket cover      |
| 2 Center extension pole | 12 Hex head screws     |
| 3 Saw head assembly     | 13 Guide bar           |
| 4 Trigger switch        | 14 Saw chain           |
| 5 Lock button           | 15 Scabbard            |
| 6 Battery               | 16 Hex wrench          |
| 7 Foam gripper          | 17 Oil cap             |
| 8 Threaded pole         | 18 Branch removal hook |
| 9 Threaded sleeve       | 19 Strap mount         |
| 10 Bar clamp            |                        |

## Intended Use

This pole saw is ideal for pruning applications and cutting limbs up to 203 mm in diameter.

**DO NOT** use under wet conditions or in the presence of flammable liquids or gases.

This pole saw is a professional power tool.

**DO NOT** let children come into contact with the tool.

Supervision is required when inexperienced operators use this tool.

- **Young children and the infirm.** This appliance is not intended for use by young children or infirm persons without supervision.
- This product is not intended for use by persons (including children) suffering from diminished physical, sensory or mental abilities; lack of experience, knowledge or skills unless they are supervised by a person responsible for their safety. Children should never be left alone with this product.

## ASSEMBLY AND ADJUSTMENTS



**WARNING:** To reduce the risk of serious personal injury, turn tool off and disconnect battery pack before making any adjustments or removing/installing attachments or accessories. An accidental start-up can cause injury.



**WARNING:** Use only DeWALT battery packs and chargers.

## Inserting and Removing the Battery Pack from the Tool (Fig. B)

**NOTE:** Make sure your battery pack 1 is fully charged.

### To Install the Battery Pack into the Tool Handle

1. Align the battery pack 1 with the rails inside the tool's handle (Fig. B).
2. Slide it into the handle until the battery pack is firmly seated in the tool and ensure that you hear the lock snap into place.

### To Remove the Battery Pack from the Tool

1. Press the release button 24 and firmly pull the battery pack out of the tool handle.



2. Insert battery pack into the charger as described in the charger section of this manual.

### Fuel Gauge Battery Packs (Fig. B)

Some DEWALT battery packs include a fuel gauge which consists of three green LED lights that indicate the level of charge remaining in the battery pack.

To actuate the fuel gauge, press and hold the fuel gauge button **27**. A combination of the three green LED lights will illuminate designating the level of charge left. When the level of charge in the battery is below the usable limit, the fuel gauge will not illuminate and the battery will need to be recharged.

**NOTE:** The fuel gauge is only an indication of the charge left on the battery pack. It does not indicate tool functionality and is subject to variation based on product components, temperature and end-user application.

## Installing and Removing Saw Chain (Fig. A, C–E)



**WARNING:** Sharp moving blade. To prevent accidental operation, insure that battery is disconnected from the handle before performing the following operations. Failure to do this could result in serious personal injury.



**CAUTION:** Sharp moving blade. Always wear protective gloves when installing or removing the chain. The chain is sharp and can cut you when it is not running.

1. Place the pole saw on a firm surface. Rotate the two hex head screws **12** counterclockwise with the hex wrench **16** provided.
2. Remove sprocket cover **11**, bar clamp **10**, and hex head screws.
3. To remove the saw chain **14**, rotate the screw **20** in the front of the housing using the flat screwdriver end of the wrench. Turning the screw counterclockwise allows the guide bar **13** to recede and reduces the tension on the chain so that it may be removed.
4. Lift the worn saw chain out of the groove in the guide bar.
5. Flip guide bar over.
6. To replace the saw chain, check to make sure that the slot in the guide bar is over the location pins **21** shown in Fig. E and that hole below the slot is located over the adjustment pin.
7. Place new chain in groove of guide bar and around sprocket. Make sure saw teeth are facing correct direction by matching the graphic on housing or guide bar.
8. Rotate the screw in the front of the housing clockwise to increase the chain tension.
9. Replace sprocket cover, bar clamp, and hex head screws.
10. Follow the instructions in the section **Adjusting Chain Tension**.

## Adjusting Chain Tension (Fig. A, D, F, G)

1. With the pole saw still on a firm surface check the saw chain **14** tension. The tension is correct when the saw chain snaps back after being pulled 3 mm away from the guide bar **13** with light force from the middle finger and thumb as shown

in Fig. F. There should be no “sag” between the guide bar and the saw chain on the underside as shown in Fig. G.

2. To adjust saw chain tension, loosen hex head screws **12**.
3. Rotate the screw **20** in the front of the housing using the flat screwdriver end of the wrench.
4. Do not over-tension the saw chain as this will lead to excessive wear and will reduce the life of the guide bar and saw chain. Overtensioning also reduces the amount of cuts you will get per battery charge.
5. Once saw chain tension is correct, tighten hex head screws **12** to clamp bar.
6. When the saw chain is new check the tension frequently (after disconnecting battery) during the first 2 hours of use as a new chain stretches slightly.

**NOTE:** Saw chain tension should be adjusted regularly.

## Saw Chain and Guide Bar Oiling (Fig. H)

### Auto Oiling System

This pole saw is equipped with an auto oiling system that keeps the saw chain and guide bar constantly lubricated. The oil level indicator **25** shows the level of the oil in the chain saw. If the oil level is less than a quarter full, remove the battery from the pole saw and refill with the correct type of oil.

**NOTE:** Always empty oil tank when finished cutting.

**NOTE:** Use a high quality bar and chain oil for proper chain and bar lubrication. As a temporary substitute, a non-detergent SAE30 weight motor oil can be used. The use of a vegetable based bar and chain oil is recommended when pruning trees. Mineral oil is not recommended because it may harm trees. Never use waste oil or very thick oil. These may damage your pole saw.

### Filling the Oil Reservoir

- Remove the oil cap **17** and fill the reservoir with the recommended bar and chain oil until the oil level has reached the top of the oil level indicator **25**.
- Refit the oil cap.
- Periodically switch the chain saw off and check the oil level indicator to ensure the bar and chain are being properly oiled.

## Transporting Pole Saw (Fig. A)

Always remove the battery pack **6** from the handle and cover the saw chain **14** with the scabbard **15** when transporting the pole saw.

## Joining Saw Head Module to Handle Module (Fig. I–L)



**WARNING:** Sharp moving blade. To prevent accidental operation, insure that battery is disconnected from the handle and that the protective scabbard is in place on the chain before performing the following operations. Failure to do this could result in serious personal injury.

The three assemblies which make up the pole saw are keyed to insure correct assembly. If an assembly does not smoothly attach to another do not force fit.

Combining the handle assembly ① to the saw head assembly ③ creates a pole saw that is approximately 1.8 m in length as shown in Fig. I.

To attach the handle assembly to the saw head assembly:

1. Align the groove ②② on the outside of the coupling end of the handle assembly ① with the tongue ②③ on the inside of the coupling end of the saw head assembly ③. Refer to Fig. J. Push the two sections completely together. Refer to Fig. K.
2. Slide the threaded sleeve ⑨ on the saw head assembly down as far as possible and rotate the sleeve clockwise until it stops and completely covers the threads as shown in Fig. L.



**WARNING:** Always check to make sure that the sleeve is completely threaded on and that the red threads are no longer visible. Not threading the sleeve completely on could result in the assemblies becoming disconnected creating a hazardous condition. Periodically check the connections to insure that no red threads are visible.

## Joining Center Extension to Saw Head Module and Handle Module (Fig. A, M)

Adding the center extension ② to the handle assembly ① and saw head assembly ③ creates a pole saw that is approximately 2.7 m in length as shown in Fig. M.

Refer to **Joining Saw Head Module to Handle Module** for directions on how to attach the middle assembly to the handle assembly and saw head assembly.



**WARNING:** Always check to make sure that the sleeve is completely threaded on and that the red threads are no longer visible. Not threading the sleeve completely on could result in the assemblies becoming disconnected creating a hazardous condition. Periodically check the connections to insure that no red threads are visible.

## DISASSEMBLY



**WARNING:** To reduce the risk of serious personal injury, turn unit off and remove the battery pack before making any adjustments or removing/installing attachments or accessories. An accidental start-up can cause injury.

## Detaching Saw Head Module (Fig. N)



**WARNING:** Sharp moving blade. To prevent accidental operation, insure that battery is disconnected from the handle and that the protective scabbard is in place on the chain before performing the following operations. Failure to do this could result in serious personal injury.

When detaching the assemblies, whether it is in the two assembly or three assembly mode, always detach the saw head assembly ③ first. To do this, rest the handle assembly ① on the ground and grasp the center of the saw head assembly with one hand as shown in Fig. N. Use your other hand to loosen the threaded sleeve and then pull the two halves apart. Repeat this process if the center extension was attached.

## Attaching and Adjusting the Shoulder Strap (Fig. O)

This pole saw comes with an adjustable shoulder strap.

1. Snap the shoulder strap latch ②⑧ onto the strap mount ①⑨ as shown in Fig.O.
2. Adjust the strap so it fits securely over your shoulder.

## OPERATION

### Instructions for Use



**WARNING:** Always observe the safety instructions and applicable regulations.



**WARNING:** To reduce the risk of serious personal injury, turn tool off and disconnect battery pack before making any adjustments or removing/installing attachments or accessories. An accidental start-up can cause injury.

### Proper Hand Position (Fig. P)



**WARNING:** To reduce the risk of serious personal injury, ALWAYS use proper hand position as shown.



**WARNING:** To reduce the risk of serious personal injury, ALWAYS hold securely in anticipation of a sudden reaction.

Proper hand position requires one hand on the main handle ②⑨ and one hand on the foam gripper ⑦.

### Operating the Pole Saw (Fig. A)



**WARNING:** Read and understand all instructions. Failure to follow all instructions listed below may result in electric shock, fire and/or serious personal injury.



**CAUTION:** Always reduce the tension off the chain again after finishing work. The chain contracts as it cools down. If it is not slackened off, it can damage the pole saw.

**IMPORTANT:** Never operate a pole saw that is damaged or improperly adjusted or that is not completely and securely assembled. Be sure that the saw chain ①④ stops moving when the trigger switch is released. Never adjust the guide bar ①③ or saw chain when the motor is operating or the battery is attached.

## Pole Saw Trimming/Pruning



### WARNINGS:

- **Never stand directly under the limb you are cutting.**  
*Always position yourself out of the path of falling debris.*
- **Always wear head, eye, foot and body protection.**  
*Wearing body protection helps reduce the risk of injury when operating this unit.*
- **Never stand on a ladder or other unstable support while using the pole saw.** *Always avoid any position which can cause you to lose your balance and cause severe injury.*
- **Keep other persons at least 15 m from the work area.**  
*Distractions can cause you to lose control.*
- **Electrocution Hazard.** *To prevent shock, do not operate within 15 m of overhead electrical lines. Always check surrounding area for hidden electrical lines.*
- **Do not extend pole saw switch handle above shoulder height.**

## On/Off Switch (Fig. Q)

Always be sure of your footing and grip the pole saw firmly with both hands with the thumb and fingers encircling the handle. To turn the tool ON pull the lock button **5** back with your thumb and then squeeze the trigger switch **4** with your fingers as shown in Fig. Q. (Once the tool is running you can release the lock button.) To turn the tool OFF, release the trigger.

## Branch Removal Hook (Fig. A)



**CAUTION:** *The branch removal hook is not a belt hook.*

Your pole saw includes a branch removal hook **18** for the intended purpose of helping to remove small to moderately sized pruned branches.

## Pruning With the Pole Saw (Fig. A, P, R)



**WARNING:** *Let the tool work at its own pace. Do not overload.*



**WARNING:** *When pruning trees: guard against kickback which can result in severe injury or death. See **Guard Against Kickback**, to avoid the risk of kickback. Do not overreach. Make sure your footing is firm. Keep feet apart. Divide your weight evenly on both feet.*

1. Use both hands to grip pole saw as shown in Fig. P. Use a firm grip. Thumbs and fingers must wrap around pole saw handle and pole. Keep fingers away from sawdust exhaust chute **26** shown in Fig. R.
2. Never operate while in a tree, in any awkward position or on a ladder or other unstable surface. You may lose control of pole saw causing severe injury.
3. Follow directions below to trim a tree.
  - a. Make sure pole saw is running at full speed before making a cut. When starting a cut, place moving saw chain **14** against limb. Hold pole saw firmly in place to avoid possible bouncing or skating (sideways movement) of pole saw.

- b. Guide pole saw using light pressure. Make first cut 152 mm from tree trunk on underside of limb. Use top of guide bar **13** to make this cut. Cut 1/3 through diameter of limb. Then make the finish cut from the top. If you try to cut off thick branches from the bottom, the branch may close in and pinch the saw chain in the cut. If you try to cut off thick branches from the top, without a shallow undercut, the branch may splinter. Do not force pole saw. The motor will overload and can burn out. It will do the job better and safer at the rate for which it was intended.
- c. Remove pole saw from cut while it is running at full speed. Stop pole saw by releasing trigger switch **4**. Make sure saw chain has stopped before setting pole saw down.

## Saw Chain Sharpness



**CAUTION:** *Sharp chain. Always wear protective gloves when handling the chain. The chain is sharp and can cut you when it is not running.*

**IMPORTANT:** The chain cutters will dull immediately if they touch the ground, stones, masonry or a nail while cutting.

To get the best possible performance from your chain saw it is important to keep the teeth of the saw chain sharp. Chain sharpening services are available from your nearest DEWALT service center.

**NOTE:** Each time the saw chain is sharpened, it loses some of the reduced kickback qualities and extra caution should be used. It is recommended that a saw chain be sharpened no more than four times.

## MAINTENANCE

Your power tool has been designed to operate over a long period of time with a minimum of maintenance. Continuous satisfactory operation depends upon proper tool care and regular cleaning.



**WARNING:** *To reduce the risk of serious personal injury, turn tool off and disconnect battery pack before making any adjustments or removing/installing attachments or accessories. An accidental start-up can cause injury.*

The charger and battery pack are not serviceable.

Regular maintenance ensures a long effective life for the tool. After every 10 minutes of use be sure to remove the battery (be aware the chain and bar can be hot!) check the bar and chain for correct tension and lubricate per **Adjusting Chain Tension** and **Chain Oiling**.



## Lubrication

Your power tool requires no additional lubrication.



## Cleaning



**WARNING:** Blow dirt and dust out of the main housing with dry air as often as dirt is seen collecting in and around the air vents. Wear approved eye protection and approved dust mask when performing this procedure.



**WARNING:** Never use solvents or other harsh chemicals for cleaning the non-metallic parts of the tool. These chemicals may weaken the materials used in these parts. Use a cloth dampened only with water and mild soap. Never let any liquid get inside the tool; never immerse any part of the tool into a liquid.

## Optional Accessories



**WARNING:** Since accessories, other than those offered by DeWALT, have not been tested with this product, use of such accessories with this tool could be hazardous. To reduce the risk of injury, only DeWALT recommended accessories should be used with this product.

Consult your dealer for further information on the appropriate accessories.

### Replacement chain and bar are available from your nearest DeWALT service center.

- DCMP567 requires replacement chain service part number DT20667-QZ. Replacement 20 cm (8 inch) bar, service part number DT20668-QZ.

## Protecting the Environment



Separate collection. Products and batteries marked with this symbol must not be disposed of with normal household waste.

Products and batteries contain materials that can be recovered or recycled reducing the demand for raw materials. Please recycle electrical products and batteries according to local provisions. Further information is available at [www.2helpU.com](http://www.2helpU.com).

## Rechargeable Battery Pack

This long life battery pack must be recharged when it fails to produce sufficient power on jobs which were easily done before. At the end of its technical life, discard it with due care for our environment:

- Run the battery pack down completely, then remove it from the tool.
- Li-Ion cells are recyclable. Take them to your dealer or a local recycling station. The collected battery packs will be recycled or disposed of properly.

## After Service and Repair

DeWALT service centers are staffed with trained personnel to provide customers with efficient and reliable product service. We do not take any responsibility when you have repaired in unauthorized service center. You can refer to the leaflet of CONTACT CENTER LOCATOR in product package and contact us through hotline, website or social media to find the nearest DeWALT service center around you.

## TROUBLESHOOTING GUIDE

### BE SURE TO FOLLOW SAFETY RULES AND INSTRUCTIONS

For assistance with your product, visit our website at [www.dewalt.com](http://www.dewalt.com) for a list of service centers.

PROBLEM	POSSIBLE CAUSE	SOLUTION
Unit will not start.	Battery pack not installed properly.	Check battery pack installation.
	Battery pack not charged.	Check battery pack charging requirements.
	Lock button not actuated.	Pull back on lock button/actuate trigger.
	Pole connections not properly tightened.	Refer to <b>Joining Saw Head Module to Handle Module</b> .
Battery pack will not charge.	Battery pack not inserted into charger.	Insert battery pack into charger until LED illuminates.
	Charger not plugged in.	Plug charger into a working outlet. Refer to <b>Charging a Battery</b> for more details.
	Surrounding air temperature too hot or too cold.	Move battery pack to a surrounding air temperature of above 40 °F (4.5 °C) or below 104 °F (+40 °C).
Bar/chain overheated.	Chain too tight.	Refer to <b>Adjusting Chain Tension</b> .
	Lubrication needed.	Refer to <b>Chain Oiling</b> .
Chain is loose.	Chain tension set incorrectly.	Refer to <b>Adjusting Chain Tension</b> .
Poor cut quality.	Chain tension set incorrectly.	Refer to <b>Adjusting Chain Tension</b> . <b>NOTE:</b> Excessive tension leads to excessive wear and reduction in life of bar & chain. Lubricate after every 10 minutes of use.
	Chain needs replacement.	Refer to <b>Installing and Removing Saw Chain</b> .
Unit runs but does not cut.	Chain installed backwards.	Refer to <b>Installing and Removing Saw Chain</b> .

# 충전 장대형 체인톱

## DCMP567

### 축하합니다!

DeWALT 공구를 선택해 주셔서 감사합니다. DeWALT는 오랜 경험을 토대로 한 제품 개발 및 혁신을 통해 전문 사용자들이 가장 인정하는 기업으로 자리잡아왔습니다

### 기술 데이터

		DCMP567
전압	V <sub>dc</sub>	18(20 Max)
배터리 유형		Li-Ion
바 길이	cm	20
최대 체인 속도 (무부하)	m/s	6,5
최대 절단 길이	cm	15
오일 용량	ml	115
무게(배터리 팩 제외)	kg	3.8

배터리				충전기/충전 시간 (분)								
Cat#	V <sub>dc</sub>	Ah	Weight(kg)	DCB104	DCB107	DCB112	DCB113	DCB115	DCB118	DCB132	DCB119	
DCB546/DCB606	18/54 (20/60 Max)	6.0/2.0	1.05	60	270	170	140	90	60	90	X	
DCB547/DCB609	18/54 (20/60 Max)	9.0/3.0	1.46	75*	420	270	220	135*	75*	135*	X	
DCB548/DCB612	18/54 (20/60 Max)	12.0/4.0	1.44	120	540	350	300	180	120	180	X	
DCB181	18 (20 Max)	1.5	0.35	22	70	45	35	22	22	22	45	
DCB182/DCB204	18 (20 Max)	4.0	0.61	60/40**	185	120	100	60	60/40**	60	120	
DCB183/DCB203	18 (20 Max)	2.0	0.40	30	90	60	50	30	30	30	60	
DCB184/DCB205	18 (20 Max)	5.0	0.62	75/50**	240	150	120	75	75/50**	75	150	
DCB185	18 (20 Max)	1.3	0.35	22	60	40	30	22	22	22	X	
DCB187	18 (20 Max)	3.0	0.54	45	140	90	70	45	45	45	90	
DCB189	18 (20 Max)	4.0	0.54	60	185	120	100	60	60	60	120	

\*날짜 코드 201811475B 이상

\*\*날짜 코드 201536 이상



**경고:** 부상 위험을 줄이려면 사용 설명서를 읽으십시오.

### 정의: 안전 지침

다음 정의는 각 경고 문구의 심각도를 설명합니다. 사용 설명서를 읽고 다음 기호들에 유의하십시오.



**위험:** 절박한 위험 상태를 나타내며, 방지하지 않으면, 사망 또는 심각한 부상을 초래합니다.



**경고:** 잠재적 위험 상태를 나타내며, 방지하지 않으면 사망 또는 심각한 부상을 초래할 수 있습니다.



**주의:** 잠재적으로 위험한 상태를 나타내며, 방지하지 않으면 경미하거나 가벼운 부상을 초래할 수 있습니다.



**참고:** 신체 부상을 초래하지 않는 행위를 나타내며 방지하지 않으면 재산상의 손해가 발생할 수 있습니다.



감전 위험을 나타냅니다.



화재 위험을 나타냅니다.

### 전동 공구에 관한 일반 안전 경고



**경고:** 이 전동 공구와 함께 제공되는 모든 안전 경고와 지시사항, 설명 및 사양을 읽으십시오. 아래 설명한 모든 지시 사항을 따르지 않으면 감전, 화재 및/또는 심각한 부상을 초래할 수 있습니다.

**항후 참고할 수 있도록 모든 경고 및 지시 사항을 보관해두십시오.**

경고에서 사용된 "전동 공구"라는 용어는 주 공급 전원에 의해 전기가 공급되는(유선) 전동 공구 또는 충전식(무선) 전동 공구를 의미합니다.

#### 작업장 안전

- a) **작업장을 항상 청결하고 밝게 유지하십시오.** 혼잡하거나 어두운 작업장에서는 사고가 발생하기 쉽습니다.
- b) **가연성 액체, 가스 또는 먼지 등이 있는 폭발성 대기에서 전동 공구를 사용하지 마십시오.** 전동 공구에서 먼지나 가스를 발화시킬 수 있는 불꽃이 튀 수 있습니다.
- c) **전동 공구로 작업하는 동안에는 어린이와 주변 사람들이 작업 영역에 가까이 들어오지 못하도록 하십시오.** 주변이 산만해져 통제력을 잃을 수 있습니다.

#### 전기 안전

- d) **동공구의 플러그는 콘센트와 형식이 일치해야 하며, 플러그를 어떤 형태로든 개조하지 마십시오.** 또한 접지된 전동공구에 다른 어댑터 플러그를 사용하지 마십시오. 개조되지 않은 플러그 및 형식이 일치하는 콘센트를 사용하면 감전 위험이 줄어듭니다.
- e) **파이프 관, 라디에이터, 렌치, 냉장고 등의 접지 표면에 물이 닿지 않도록 하십시오.** 몸에 닿을 경우 감전이 될 위험이 높아집니다.
- f) **전동 공구를 비 또는 습한 환경에 노출하지 않도록 주의하십시오.** 전동 공구에 물이 들어가면 감전 위험이 높아집니다.
- g) **코드를 함부로 다루지 마십시오.** 코드를 사용하여 전동공구를 운반하거나, 코드를 과도하게 잡아당겨서 플러그를 뽑지 않도록 주의하십시오. 전열코드가 열기 또는 오일과 접촉되는 것을 피하고, 날카로운 모서리 또는 기기의 기둥 부위에 닿지 않도록 주의 하십시오. 코드가 손상되거나 얽혀 있으면 감전 위험이 높아집니다.
- h) **전동 공구를 실외에서 사용할 때는 실외 사용에 적합한 연장 코드를 사용하십시오.** 실외 사용에 적합한 코드를 사용하면 감전 위험이 줄어듭니다.
- i) **전동공구를 습한 공간에서 사용할 경우, 반드시 누전 차단기를 사용하십시오.** 누전 차단기 (RCD) 를 사용하면 감전의 위험이 줄어듭니다. RCD 를 사용하면 감전 위험이 줄어듭니다.

#### 신체 안전 사항

- j) **전동 공구로 작업할 때는 방심하지 말고 작업에 주의하면서 상식에 따르십시오.** 피곤한 상태이거나 약물, 술, 치료제를 복용한 상태에서는 전동 공구를 사용하지 마십시오. 전동 공구를 사용하다 잠깐만 한 눈을 팔아도 심각한 부상을 당할 수 있습니다.
- k) **신체 보호 장비를 착용하십시오.** 항상 보안경을 착용하십시오. 적절한 상황에서 방진 마스크, 미끄럼 방지 안전화, 안전모 또는 청력 보호 기구 등의 보호 장비를 사용하면 신체 부상 위험이 줄어듭니다.

- l) **의도하지 않은 장비 가동 방지.** 전원 및/또는 배터리 팩에 연결한 상태로 공구를 선택 또는 운반할 때는 사전에 스위치가 꺼짐 위치에 있는지 반드시 확인하십시오. 스위치가 꺼짐 위치에 있는 상태에서 스위치가 손가락이 닿을 상태로 전동 공구를 운반하거나 전동 공구에 전원을 공급하면 사고가 발생합니다.
- m) **전동 공구를 켜기 전에 모든 조정 기 또는 렌치를 제거하십시오.** 전동 공구의 회전 부품에 렌치나 키가 부착되어 있으면 부상을 당할 수 있습니다.
- n) **무리하게 팔을 뻗지 마십시오.** 항상 올바른 자세로 서서 균형을 유지하십시오. 안정된 자세로 작업을 할 경우 전동 공구를 안전하게 사용할 수 있습니다.
- o) **절한 의복을 착용하십시오.** 헐렁한 옷이나 장신구를 착용하지 마십시오. 머리카락과 옷이 움직이는 부품에 닿지 않도록 유의하십시오. 헐렁한 옷, 장신구 또는 긴 머리카락이 움직이는 부품에 걸 수 있습니다.
- p) **먼지 배출 및 집진 시설 연결을 위한 장치가 제공된 경우, 이를 장치가 연결되어 적절히 사용되고 있는지 반드시 확인하십시오.** 집진 장치를 사용하면 먼지와 관련된 위험을 줄일 수 있습니다.
- q) **장치를 자주 사용함으로써 생긴 익숙함으로 인해 현실에 안주하거나 공구 안전 원칙을 무시하지 않도록 하십시오.** 부주의한 작동은 순식간에 심각한 부상을 야기할 수 있습니다.

#### 전동 공구 사용 및 관리

- r) **전동 공구에 무리한 힘을 가하지 마십시오.** 해당 용도에 맞는 올바른 전동 공구를 사용하십시오. 올바른 전동 공구를 사용해야 설계된 속도로 작업을 더욱 안전하고 정확하게 수행할 수 있습니다.
- s) **켜지지 않거나 꺼지지 않는 경우 전동 공구를 사용하지 마십시오.** 스위치로 제어되지 않는 전동 공구는 위험하므로 수리해야 합니다.
- t) **전동 공구를 조정하거나 액세서리를 변경하거나 보관하기 전에 전동 공구에서 분리되는 경우 전원에서 플러그를 뽑거나 또는 배터리 팩을 분리하십시오.** 이러한 예방적 안전 조치를 따라야 전동 공구가 갑자기 작동할 위험이 줄어듭니다.
- u) **사용하지 않는 전동 공구는 어린이의 손이 닿지 않는 곳에 보관하고, 전동 공구나 본 지시 사항에 익숙하지 않은 사람이 전동 공구를 절대 사용하지 못하게 하십시오.** 전동 공구는 훈련을 받지 않은 사용자가 다루면 위험합니다.
- v) **전동 공구 및 액세서리 유지 보수.** 움직이는 부품의 잘못된 정렬이나 바인딩, 부품 파손 및 기타 전동 공구의 작동에 영향을 미칠 수 있는 기타 모든 상태를 확인하십시오. 손상된 부분이 있는 경우 사용하기 전에 전동 공구를 수리하십시오. 많은 사고는 전동 공구를 제대로 유지 보수하지 않아 발생합니다.
- w) **공구를 깨끗한 상태로 유지하십시오.** 절삭 가장리를 예리하게 잘 유지하면 절삭기를 사용할 때 바인딩이 적고 다루기가 용이합니다.
- x) **작업 환경과 수행할 작업을 고려하여, 본 지시 사항에 따라 전동 공구, 액세서리 및 톨 비트 등을 사용하십시오.** 본 사용 설명서의 내용과 다른 용도로 전동 공구를 사용하면 위험한 상황이 발생할 수 있습니다.

- y) **핸들과 잡는 표면은 건조하고 깨끗한 상태를 유지하고 오일/기름이 묻지 않도록 하십시오.** 미끄러운 핸들과 잡는 면은 예기치 못한 상황에서 안전한 취급과 공구 관리를 보장하지 않습니다.

**배터리 공구 사용 및 주의 사항**

- z) **다시 충전할 때는 제조업체에서 지정한 충전기만 사용하십시오.** 하나의 배터리 팩 유형에 적합한 충전기를 다른 배터리 팩과 함께 사용할 경우 화재의 위험이 있습니다.
- aa) **전동 공구를 사용할 때는 구체적으로 지정되어 있는 배터리 규격만 사용하십시오.** 다른 배터리 팩을 사용하면 부상을 입거나 화재의 위험이 있습니다.
- ab) **배터리 팩을 사용하지 않을 때에는 클립, 동전, 키, 못, 나사 등의 금속 물체나, 단자 간에 연결할 수 있는 작은 금속 물체가 닿지 않도록 멀리 두십시오.** 배터리 단자가 단락되면 화상을 입거나 화재의 위험이 있습니다.
- ac) **배터리를 과다 사용하면 액체가 배터리에서 흘러 나올 수 있으므로, 접촉을 피하십시오.** 실수로 접촉한 경우에는 물로 씻으십시오. 액체가 눈에 들어간 경우 치료를 받으십시오. 배터리에서 나온 액체는 통증을 유발하거나 화상을 입힐 수 있습니다.
- ad) **손상되거나 변경된 배터리 팩 또는 공구를 사용하지 마십시오.** 손상되거나 개조된 배터리는 예측할 수 없는 작용을 보여, 화재, 폭발 또는 부상 위험을 야기할 수 있습니다.
- ae) **배터리 팩 또는 공구를 불이나 과도한 온도도 노출하지 마십시오.** 불 또는 130 °C 이상의 온도도 노출되면 폭발할 수 있습니다.
- af) **모든 충전 지침을 따르고 배터리 팩 또는 공구를 설명서에 지정된 범위 밖의 온도에서 충전하지 마십시오.** 적절하지 않게 충전하거나 지정된 범위 밖의 온도에서 충전하면 배터리가 손상되어 화재 위험이 증가될 수 있습니다.

**정비**

- ag) **자격을 갖춘 기술자가 동일 교체 부품을 사용하여 정비 작업을 수행해야 합니다.** 그래야 전동 공구의 안전이 보장됩니다.
- ah) **손상된 배터리 팩을 정비하지 마십시오.** 배터리 팩은 제조업체 또는 공인 서비스 공급업체를 통해서만 점검을 받아야 합니다.

**중요 안전 지침**

**경고:** 부상 위험을 줄이려면 :

- 사용하기 전에 장치를 사용하는 모든 사람이 이 설명서에 포함 된 모든 안전 지침과 기타 정보를 읽고 이해했는지 확인하십시오.
- 이 안내 지침서를 적절하게 보관하고 자주 검토하시기 바랍니다.

**경고:** 전동 원에 기기를 사용할 때 다음을 포함하여 화재, 감전 및 부상의 위험을 줄이기 위해 기본 안전 예방 조치를 항상 따라야 합니다.

1. **위험한 환경을 피하십시오** - 습하거나 젖은 장소에서 가진 제품을 사용하지 마십시오.
2. **비속에서 사용하지 마십시오.**
3. **아이들을 멀리하십시오** - 모든 방문객은 작업장에서 멀리 떨어져 있어야 합니다.

4. **적절한 복장 착용** - 헐렁한 옷이나 장신구를 착용하지 마십시오. 움직이는 부품에 걸릴 수 있습니다. 야외에서 작업 할 때는 고무 장갑과 튼튼한 신발을 사용하는 것이 좋습니다. 긴머리를 가릴 수 있도록 보호용 머리 수건을 착용하십시오.
5. **보안경 착용** - 작업시 먼지가 많은 경우 항상 보안경 또는 방진 마스크를 착용하십시오.
6. **올바른 기기 사용** - 의도 된 작업을 제외하고는 기기를 사용하지 마십시오.
7. **기기를 들거나잡을 때 노출 된 절단 날이나 절단 모서리를 잡지 마십시오.**
8. **강제로 어플라이언스를 사용하지 마십시오** - 설계된 속도로 작업을 더 잘 수행하고 부상 위험이 적습니다.
9. **지나치게 손을 뺐지 마십시오** - 항상 적절한 발판과 균형을 유지하십시오.
10. **경계 기기** - 작업에 주목하십시오 상식에 따르십시오. 피곤할 때는 기기를 작동하지 마십시오.
11. **공구 분리** - 사용하지 않을 때, 유지보수 작업을 수행하기 전에, 블레이드와 같은 액세서리를 교체할 때 배터리를 제거하십시오.
12. **유류 기기를 실내에 보관하십시오** - 사용하지 않을 때는 기기를 어린이의 손이 닿지 않는 건조하고 높거나 잠긴 장소에 실내에 보관해야 합니다.
13. **조심스럽게 기기를 유지 관리하십시오** - 최상의 성능을 발휘하고 부상 위험을 줄이려면 최첨단을 날카롭고 깨끗하게 유지하십시오. 윤활유 및 액세서리 교체 지침을 따르십시오. 기기 전원을 주기적으로 검사하고 손상된 경우 공인 서비스 센터에 수리를 의뢰하십시오. 핸들을 건조하고 깨끗하게 유지하고 기름과 기름이 묻지 않도록 합니다.
14. **손상된 부품 확인** - 기기를 추가로 사용하기 전에 가드 또는 손상된 기타 부품을 주의 깊게 확인하여 제대로 작동하고 의도 한 기능을 수행하는지 확인해야 합니다. 움직이는 부품의 정렬, 움직이는 부품의 바인딩, 부품 파손, 장착 및 작동에 영향을 줄 수 있는 기타 상태를 확인하십시오. 가드 또는 손상된 기타 부품은 이 설명서에 명시되지 않는 한 공인 서비스 센터에서 적절히 수리하거나 교체해야 합니다.

**본 지침을 잘 보관해 두십시오**

**경고** - 전력선 근처에서 작동하지 마십시오. 이 장치는 가공 전선과의 접촉시 감전으로부터 보호하도록 설계되지 않았습니다. 가공 전선과의 안전한 거리에 대해서는 현지 규정을 참조하고 톱 체인 톱 정리기를 작동하기 전에 작동 위치가 안전하고 안전하지 확인하십시오.

- **신체의 모든 부분을 톱 체인에서 멀리하십시오.** 날이 움직일 때 절단 된 재료를 제거하거나 절단 할 재료를 잡지 마십시오. 결된 재료를 제거할 때 스위치가 꺼져 있는지 확인하십시오. 전원이 꺼진 후 블레이드가 뜨거울 수 있습니다. 장대 톱을 작동하는 동안 잠시 부주의하면 심각한 부상을 입을 수 있습니다.
- **톱 체인이 멈춘 상태에서 핸들로 장대 톱을 이동하십시오.** 장대 톱을 이동하거나 보관할 때 항상 톱 체인 장치 커버를 장착하십시오. 장대 톱을 올바르게 취급하면 톱 체인으로 인한 부상을 줄일 수 있습니다.
- **커터 날이 숨겨진 배선과 접촉 할 수 있으므로 절연 된 그림 표면으로 만 전동 공구를 잡으십시오.** 톱 체인이 "전기가 통하는" 와이어와 접촉하면 공구의 노출 된 금속 부품이 "통전"되어 작업자에게 전기 충격을 줄 수 있습니다.



- **약천후, 특히 번개의 위험이 있는 경우에는 장대 톱을 사용하지 마십시오.** 이렇게 하면 번개에 맞을 위험이 줄어듭니다.
- **장대 톱을 작동할 때는 항상 두 손을 사용하십시오.** 동체력을 잃지 않도록 양손으로 장대 톱을 잡습니다.
- **머리 위의 장대 톱을 작동 할 때는 항상 머리 보호 장치를 사용하십시오.** 파편이 떨어지면 심각한 부상을 입을 수 있습니다.

## 특정 안전 규칙



**경고:** 일부 먼지에는 캘리포니아 주에 암, 선천적 기형 또는 기타 생식 장애를 유발하는 것으로 알려진 화학 물질이 포함되어 있습니다. 이러한 화학 물질의 몇 가지 예는 다음과 같습니다.

- 비료의 화합물,
- 살충제, 제초제 및 살충제의 화합물,
- 화학적으로 처리 된 목재의 비소 및 크롬,

이러한 화학 물질에 대한 노출을 줄이려면 미세 입자를 걸러 내도록 특별히 설계된 방진 마스크와 같은 승인 된 안전 장비를 착용하십시오.

- **파워 샌딩, 톱질, 그라인딩, 드릴링 및 기타 시공 작업으로 인한 먼지와 장시간 접촉을 피하십시오.** 보호복을 착용하고 노출 된 부위를 비누와 물로 씻으십시오. 먼지가 입, 눈에 들어가거나 피부에 묻 으면 유해한 화학 물질의 흡수를 촉진할 수 있습니다.



**경고:** 이 공구를 사용하면 먼지를 생성 및 / 또는 배출할 수 있으며, 이로 인해 심각하고 영구적 인 호흡기 또는 기타 부상이 발생할 수 있습니다. 항상 먼지 노출에 적합한 승인 된 호흡 보호구를 사용하십시오. 입자를 얼굴과 몸에서 멀리하십시오.



**주의:** 사용 중에는 적절한 개인 청력 보호구를 착용하십시오. 일부 조건 및 사용 기간에서는 이 제품의 소음이 청력 손실로 이어질 수 있습니다.

## 작동하기 전 주의사항

- **안전한 작동을 위해 본 제품을 사용하기 전에 모든 지침을 읽고 이해하십시오.** 모든 안전 지침을 따르십시오. 아래 나열된 모든 안전 지침을 따르지 않으면 심각한 부상을 입을 수 있습니다.
- **항상 작업에 주목하십시오.** 상식에 따르십시오. 피곤할 때는 공구를 작동하지 마십시오.
- **나뭇 가지를 절단 할 때만 본 공구를 사용하십시오.** 의도하지 않은 목적으로 공구를 사용하지 마십시오. 다른 공작물을 자르는 데 사용하지 마십시오.
- **교육을 잘 받은 성인 만이 공구를 작동해야 합니다.** 아이들이 작동하지 않도록 하십시오.
- **어린이나 훈련받지 않은 사람이 이 장치를 사용하지 못하도록 하십시오.**
- 본 제품을 작동 할 때 다음 안전 장비를 착용하십시오.
  - 튼튼한 장갑
  - 미끄럼 방지 밑창이 있는 안전 신발
  - 보안경, 고글 또는 안면 스크린
  - 안전 헬멧
  - 귀 머플러 또는 귀마개
  - 얼굴 또는 먼지 마스크 (먼지가 많은 곳에서 작업하는 경우)
- **단단한 긴 바지와 부츠를 착용하십시오.** 헐렁한 옷, 짧은 바지, 모든 종류의 보석류를 착용하거나 맨발로 움직이지 마십시오.

- 긴 머리카락을 어깨 높이보다 높게 고정하여 움직이는 부품에 걸리지 않도록 합니다.
- 절단하기 전에 항상 다음을 확인하십시오.
  - 명확한 작업 영역
  - 안전한 발판
  - 팔다리에서 계획된 후퇴 경로
- 트리밍하기 전에 나무를 검사하십시오. 가지가 바닥에 자유롭게 떨어지도록 허용하십시오.
- 묘목을 떨어 뜨리기 위해 장대 톱을 사용하지 마십시오.

## 작동 중 주의사항



**위험: 감전의 위험을 줄이려면 젖은 표면에서 사용하지 마십시오.** 비에 노출시키지 마십시오. 실내에 보관하십시오.



**위험: 의도하지 않은 작동 방지** - 배터리가 설치된 상태에서 스위치를 켜고 기기를 이동하지 마십시오. 배터리를 설치할 때 스위치가 꺼져 있는지 확인하십시오.

- 경계하십시오. 장치를 작동하는 동안 상식에 따르십시오.
- 작업장을 깨끗하게 유지하십시오. 여수선한 영역은 부상을 유발합니다.
- 절단이 완료되거나 방지되면 항상 공구에서 배터리를 제거하십시오.
- 어린이, 동물 및 구경꾼은 공구에서 최소 15m이상 멀리해야 합니다. 공구 사용자 만 작업 영역에 있어야 합니다.
- 나무를 자르기 위해 본 공구를 사용하지 마십시오.
- 공구를 들어 올리거나 잡을 때 노출 된 톱 체인을 잡지 마십시오.
- 공구를 단단히 잡으십시오-한 손은 장대에, 다른 손은 핸들을 잡으십시오.
- 자를 준비가 될 때까지 트리거에서 손가락을 떼십시오.
- 공구를 작동하기 전에 체인이 아무것도 접촉되지 않았는지 확인하십시오.
- 공구가 작동 중일 때 신체의 모든 부분을 체인에서 멀리하십시오.
- 절단하는 동안 공구를 강제로 사용하지 마십시오. 가벼운 압력을가하십시오. 의도 한 속도로 작업을 더 원활하고 안전하게 수행할 수 있습니다.
- 한 곳에서 다른 곳으로 공구를 이동하는 경우.
- 배터리를 제거한 상태에서
- 트리거에서 손가락을 떼거나,
- 균형점에서 장대를 잡고,
- 가이드 바와 체인이 후방에 연결되고 칼집이 부착 된 상태.
- 본 공구로 작은 솔과 묘목을 자르지 마십시오. 가느다란 물질은 체인에 걸려 작업자를 향해 휘날릴 수 있습니다. 이러한 경우 또한 균형을 잃을 수 있습니다.
- 조명이 약한 곳에서 작업하지 마십시오.
- 확고한 발판과 균형을 유지하십시오. 지나치게 손을 뻗지 마십시오. 지나치게 손을 뻗으면 균형을 잃거나 뜨거운 표면에 노출될 수 있습니다.
- 신체의 모든 부분을 움직이는 부분에서 멀리하십시오.
- 어떤 상황에서든 제품과 함께 제공되지 않았거나 사용 설명서에서 이 제품과 함께 사용하기에 적합하다고 확인 된 부착물이나 액세서리를 이 제품에 사용하지 마십시오.

- 매번 사용하기 전과 떨어 뜨리거나 다른 충격을 받은 후에는 장대 톱을 검사하십시오. 중대한 결함이나 손상이 없는지 확인합니다.

바를 작업자쪽으로 견어치고 뒤로 이동합니다. 가이드 바 상단을 따라 톱 체인을 조이면 가이드 바가 작업자쪽으로 빠르게 뒤로 밀릴 수 있습니다. 이러한 반동으로 인해 톱을 통제할 수 없게 되어 사용자에게 심각한 부상을 입힐 수 있습니다.

## 다음과 같은 상황에서는 공구를 작동하지 마십시오

- 알코올, 약물 또는 약물의 영향을 받는 동안
- 비 또는 습하거나 습한 지역
- 인화성이 높은 액체 또는 가스가 있는 곳
- 공구가 손상되었거나 잘못 조정되었거나 완전하고 단단히 조립되지 않은 경우.
- 스위치 트리거가 제대로 작동하지 않는 경우. 트리거를 놓으면 체인이 움직이지 않아야 합니다. 결함이 있는 스위치는 공인 서비스 센터에서 교체하십시오. **유지 보수에서 액세서리를 참조하십시오.**
- 서두르는 경우
- 나무 위 또는 사다리 위에 있는 경우
- 공중 붐, 버킷 또는 플랫폼에서
- 강풍 또는 폭풍우가 치는 날씨.

## 일반 안전 규칙

**⚠ 위험: 충격 위험.** 전선에 접촉하면 감전사고로 인한 심각한 부상 또는 사망으로 이어질 수 있습니다. 전원, 전선 또는 전력선 근처에서 사용하지 마십시오.

**⚠ 경고: 안전한 작동을 위해 사용 설명서를 읽고 이해하십시오.** 안전 보호대 (및 / 또는 보안경)와 안전모를 착용하여 파편이 떨어지는 것을 방지하십시오. 항상 깨끗한 작업 공간, 후퇴 경로를 확보하고, 팔다리와 파편이 떨어지지 않도록 팔다리 / 가지 위치를 파악하십시오. 톱을 작동 할 때 주변 사람들과 15m 거리를 유지하십시오. 감전의 위험을 줄이려면 젖은 표면에서 사용하지 마십시오. 비에 노출시키지 마십시오. 실내에 보관하십시오.

- 떨어지는 가지로부터 자신을 보호하기 위해 절단되는 가지나 팔다리 바로 아래에 서 있지 마십시오. 이 장치는지면에서 60° 이상의 각도로 잡고 있으면 안됩니다.
- 핸들을 견조하고 깨끗하며 기름이 없는 상태로 유지하십시오.
- 장치를 작동하기 전에 체인이 어떠한 객체와 접촉되지 않는지 확인하십시오.
- 톱을 내려 놓기 전에 절단 체인 작동이 중지되었는지 확인하십시오.

## 유지 보수

- 공구의 유지 보수 작업은 자격을 갖춘 수리 담당자 만 수행해야 합니다. 자격이 없는 사람이 서비스 또는 유지 보수를 수행하면 부상 위험이 발생할 수 있습니다. 이 설명서의 유지 보수 섹션을 참조하십시오.
- 공구를 수리 할 때 동일한 교체 부품 만 사용하십시오. 이 설명서의 **유지 보수** 섹션에 있는 지침을 따르십시오. 승인되지 않은 부품을 사용하거나 유지 보수 지침을 따르지 않으면 감전이나 부상의 위험이 있습니다.

## 반동 방지

**⚠ 경고:** 반동은 가이드 바의 코나 끝이 물체에 닿거나 목재가 절단시 톱 체인을 단아 끼울 때 발생할 수 있습니다. 톱 접촉은 경우에 따라 번개처럼 빠른 역반응을 일으켜 가이드

**⚠ 기계 반동을 최소화하려면 다음 예방 조치를 따라야 합니다.**

- 장대를 단단히 잡으십시오. 장치가 작동 중일 때 양손으로 톱을 단단히 잡으십시오. 엄지와 손가락으로 톱 핸들과 장대를 감싸는 단단한 그림을 사용하십시오.
- 지나치게 손을 뺀지 마십시오.
- 항상 적절한 발판과 균형을 유지하십시오.
- 가이드 바의 코가 통나무, 가지,지면 또는 기타 장애물에 닿지 않도록 하십시오.
- 장대 톱 핸들을 어깨 높이 위로 확장하지 마십시오.
- 기계 반동과 관련된 위험을 줄이는 감소 된 반동 체인, 체인 제동 시스템 및 특수 가이드 바와 같은 장치를 사용하십시오.
- 제조업체 또는 동등한 업체에서 지정한 교체 용 바와 체인 만 사용하십시오.
- 움직이는 체인이 가이드 바 끝에 있는 물체에 닿지 않도록 하십시오.
- 작업 영역에 다른 나무, 가지, 바위, 울타리, 그루터기 등과 같은 장애물이 없도록 유지하십시오. 특정 통나무 나 가지를 절단하는 동안 톱 체인이 부딪힐 수 있는 장애물을 제거하거나 피하십시오.
- 톱 체인을 예리하고 적절하게 장력을 유지하십시오. 느슨하거나 둔한 체인은 기계 반동 가능성을 높일 수 있습니다. 모터를 멈추고 배터리를 제거한 상태에서 정기적으로 장력을 확인하십시오.
- 체인이 최대 속도로 움직이는 상태에서부터 절단을 시작하고 계속하십시오. 체인이 느린 속도로 움직이면 반동이 발생할 가능성이 더 큼니다.
- 한 번에 한 가지를 자릅니다.
- 이전 컷을 다시 입력할 때는 각별히 주의하십시오. 절단을 진행하기 전에 스파이크 범퍼를 목재에 끼우고 체인이 최대 속도에 도달하도록 하십시오.
- 플런지 절단 또는 보어 절단을 시도하지 마십시오.
- 꼬집거나 체인에 빠질 수 있는 이동 가지 또는 기타 힘을 주의하십시오.

## 반동 안전 기능

- **⚠ 경고:** 기계 반동 위험을 줄이기 위해 장대 톱에 다음 기능이 포함되어 있습니다. 그러나 이러한 기능이 이러한 위험한 반동을 완전히 제거하지는 않습니다. 장대 톱 사용자는 안전 장치에만 의존하지 않습니다. 기계 반동 및 심각한 부상을 초래할 수 있는 기타 힘을 방지하려면 이 설명서의 모든 안전 예방 조치, 지침 및 유지 관리를 따라야 합니다.
- **반동 감소 가이드 바,** 작은 반경 톱으로 설계되어 바 톱의 반동 위험 영역 크기를 줄입니다. 기계 반동 감소 가이드 바는 전기 체인톱에 대한 안전 요구 사항에 따라 테스트할 때 기계 반동의 수와 심각성을 크게 감소시키는 것으로 입증 된 바입니다.
- **반동 감소 체인,** 반동력을 편향시키고 목재가 커터에 점차적으로 들어갈수록 하는 윤곽이 있는 깊이 게이자와 기타 링크로 설계되었습니다. 반동 감소 체인은 대표적인 체인 톱 샘플에서 테스트했을 때 반동 성능 요구 사항을 충족 한 체인입니다.

## 장대형 체인톱 : 부위별 용어 정리

- **구동 스프로킷 또는 스프로킷** - 톱 체인을 구동하는 톱니 부분.
- **가이드 바** - 톱 체인을 지지하고 안내하는 견고한 레일 구조.
- **가이드 바 스킴보드** - 톱을 사용하지 않을 때 톱니 접촉을 방지하기 위해 가이드 바 위에 장착 된 인클로저.
- **반동** - 가이드 바 상단 부분의 노즈 근처에 있는 톱 체인이 톱나무 나 가지와 같은 물체에 닿을 때 또는 목재가 톱을 닫고 끼울 때 발생하는 뒤로 또는 위로 이동 또는 가이드 바 모두 컷 체인.
- **반동 감소 체인** - 반동 성능 요구 사항을 준수하는 체인입니다. (체인톱의 대표적인 샘플에서 테스트 한 경우).
- **감소 된 반동 가이드 바** - 반동을 크게 줄이는 것으로 입증 된 가이드 바입니다.
- **교체 용 톱 체인** - 특정 체인 톱으로 테스트 할 때 반동 성능 요구 사항을 준수하는 체인입니다. 다른 톱과 함께 사용할 경우 성능 요구 사항을 충족하지 못할 수 있습니다.
- **톱 체인** - 절단 톱니가 있고 목재를 절단하고 모터에 의해 구동되고 가이드 바에 의해 지지되는 체인 루프입니다.
- **스파이크 범퍼 (스파이크)** - 잘라내는 동안 톱을 피벗하고 움직이는 동안 위치를 유지하는 데 사용하는 뾰족한 톱니입니다.
- **스위치** - 작동시 체인 톱 모터에 대한 전력 회로를 완료하거나 차단하는 장치입니다.
- **스위치 잠금** - 수동으로 작동 될 때까지 의도하지 않은 스위치 작동을 방지하는 이동식 방지 장치입니다.
- **트리밍 (가지 치기)** - 나무에서 가지를 자르는 단계입니다.
- **언더컷** - 톱나무 또는 가지의 아래쪽에서 위로 절단하는 작업입니다. 이 작업은 일반 절단 위치에서 가이드 바 상단으로 절단하는 동안 수행됩니다.

## 보관

1. **실내에 보관하십시오.** 가장 좋은 보관 장소는 직사광선, 과도한 열 또는 추위를 피하고 어린이의 손이 닿지 않는 서늘하고 건조한 곳입니다.
2. **작업을 마친 후에는 항상 체인의 장력을 다시 줄이십시오.** 체인은 식으면서 수축합니다. 장력이 감소하지 않으면 톱이 손상 될 수 있습니다.

## 기타 발생 가능한 위험

관련된 안전 규정을 준수하고 안전 장치를 사용한다고 해도 특정한 위험은 피할 수 없습니다. 이러한 위험은 다음과 같습니다.

- 정력 손상
- 파편 날림으로 인한 신체 부상 위험.
- 작업 중 뜨거워지는 액세서리로 인한 화상 위험.
- 장시간 사용으로 인한 신체 부상의 위험.

**본 지침을 잘 보관해 두십시오.**

## 충전기

DeWALT 충전기는 어떠한 조절 작업도 필요 없으며 최대한 작동하기 쉽게 설계되었습니다.

### 전기 안전

전기 모터는 한 가지 전압에만 맞추어 설계되었습니다. 배터리 팩 전압이 명판에 기재된 전압과 일치하는지 항상 확인하십시오. 또한 충전기의 전압이 주전원의 전압과도 일치하는지 확인하십시오.



DeWALT 충전기는 IEC60335 에 따라 이중 절연되어 있습니다. 따라서 접지선이 필요하지 않습니다.

전원 코드가 손상된 경우 DeWALT 서비스 기관에서 제공하는 특별히 준비된 코드로 교체해야 합니다.

### 연장 케이블 이용

연장 코드는 가급적 사용하지 마십시오. 사용 중인 전원공급기 정격전원에 맞는 승인된 연장 코드를 사용하십시오. (**기술 데이터** 참조). 최소 도체 크기는 1mm<sup>2</sup>. 최대 길이는 30m 입니다.

케이블 릴을 사용할 때는 항상 케이블을 완전히 푸십시오.

### 모든 배터리 충전기에 대한 중요한 안전 지침

**본 지침을 잘 보관해 두십시오.** 본 사용 설명서에는 호환이 되는 배터리 충전기에 대한 중요한 안전 및 작동 지침이 포함되어 있습니다. (**기술 데이터** 참조).

- 충전기를 사용하기 전에 충전기, 배터리 팩, 그리고 배터리 팩 관련 제품에 대한 지침과 주의 표시를 숙지하십시오



**경고:** 감전 위험. 충전기 내부에 액체가 들어가지 않도록 하십시오. 감전될 수 있습니다.



**경고:** 정격 전류 전류가 30mA 미만인 누전 차단기를 사용하는 것이 좋습니다.



**주의:** 화상 위험. 신체 부상의 위험을 줄이려면 DeWALT 충전용 배터리로만 충전하십시오. 다른 유형의 배터리는 폭발로 인한 신체 부상과 손상을 초래할 수 있습니다.



**주의:** 어린이가 본 제품을 가지고 놀지 못하도록 항상 주의해야 합니다.

**참고:** 특정 조건에서, 충전기가 전원 공급기에 연결되어 있으면 충전기 내부에 노출된 충전 접점이 이물질에 의해 단락될 수 있습니다. 철부스러기, 알루미늄 호일, 금속 입자 축적물 등의 전도성 이물질은 충전기 캐비티에 닿지 않게 해야 합니다. 캐비티 안에 배터리 팩이 없을 경우 항상 배터리 전원 공급기에서 충전기의 플러그를 뽑으십시오. 충전기를 청소할 때는 플러그를 뽑아야 합니다.

- **본 사용 설명서에 명시된 충전기 외의 다른 충전기용 배터리 팩을 충전하지 마십시오.** 본 충전기와 배터리 팩은 함께 사용하도록 특수 설계되었습니다.
- **이러한 충전기는 DeWALT 충전용 배터리 충전 이외의 용도로는 사용할 수 없습니다.** 다른 용도로 사용하면 화재, 감전 또는 감전사고의 위험이 있습니다.
- **충전기가 비나 눈을 맞지 않도록 하십시오.**
- **충전기를 분리할 경우 코드가 아니라 플러그를 뽑으십시오.** 그레아만 전기 플러그 및 코드 손상의 위험이 줄어듭니다.
- **코드가 밟히거나 걸리거나 기타 원인에 의해 손상되거나 압박을 받지 않도록 유의하십시오.**
- **불가피한 경우가 아니면 연장 코드를 사용하지 마십시오.** 연장 코드를 잘못 사용하면 화재, 감전 또는 감전사의 위험이 있습니다.
- **충전기 위에 물건을 올려놓거나 부드러운 표면에 충전기를 두면 환기 슬롯이 막혀 내부가 과열될 수 있습니다. 충전기는 열원에 가까이 두지 마십시오.** 충전기는 하우징의 상단과 하단에 있는 슬롯을 통해 환기됩니다.
- **코드가 플러그가 손상된 충전기를 작동시키지 마십시오** — 즉시 교체하십시오.

- **심한 충격을 받았거나 떨어뜨렸거나 어떠한 식으로든 손상된 경우에는 충전기를 작동시키지 마십시오.** 공인 서비스 센터로 가져가십시오.
- **충전기를 분해하지 마십시오. 서비스나 수리가 필요한 경우에는 공인 서비스 센터로 가져가십시오.** 잘못 재조립하면 감전, 감전사 또는 화재의 위험이 있습니다.
- 전원 코드가 손상된 경우 사고 방지를 위해 제조업체, 서비스 대리점 또는 이에 준하는 유자격 수리 기술자를 통해 즉시 교체하십시오.
- **청소하려면 먼저 충전기를 콘센트에서 분리하십시오. 그래야 감전 위험이 줄어듭니다.** 배터리 팩을 제거하는 것만으로 이러한 위험이 줄어들지는 않습니다.
- **절대로** 충전기 두 개를 함께 연결하지 마십시오.
- **충전기는 가정용 표준 전력 220-240V 으로 작동하도록 설계되어 있습니다. 다른 전압에서는 사용하지 마십시오.** 차량용 충전기는 제외됩니다.







**배터리 충전 (그림 B)**

1. 배터리 팩을 끼우기 전에 충전기를 적절한 콘센트에 꽂습니다.
2. 충전기에 배터리 팩 ① 을 끼우고 배터리 팩이 완벽히 장착되었는지 확인하십시오. 빨간색(충전 중) 표시등이 반복해서 깜박이면서 충전 프로세스가 시작되었음을 알립니다.
3. 충전이 완료되면 빨간색 불이 계속 켜져 있습니다. 배터리 팩이 완전히 충전되면 바로 사용하거나 충전기에 그대로 둡니다. 배터리 팩을 충전기에서 분리하려면, 배터리 팩에 있는 배터리 탈착 버튼 **24** 을 누릅니다.

**참고:** 리튬이온 배터리 팩의 성능과 수명을 극대화하려면 처음 사용하기 전에 배터리 팩을 완전히 충전시키십시오.

**충전기 작동**

배터리 팩의 충전 상태는 아래 표시등을 참조하십시오.

충전 표시등	
	충전 중 
	완전 충전됨 
	냉/은 팩 지연* 

\*빨간색 표시등이 계속 깜박거리지만, 노란색 표시등은 이 작동동안 계속 켜져 있습니다. 배터리 팩이 적정 온도에 도달하면, 노란색 표시등이 꺼지고 충전기에서 충전 절차를 다시 시작합니다.

이 호환 충전기는 결함이 있는 배터리 팩은 충전하지 못합니다. 등이 켜지지 않도록 하여 배터리에 결함이 있음을 표시합니다.

**참고:** 이는 충전기 고장을 의미할 수도 있습니다.

충전기에 문제가 표시되는 경우 충전기와 배터리 팩을 공인 서비스 센터로 가져 가서 테스트를 받아 보십시오.

**냉/은 팩 지연**

충전기에서 너무 뜨겁거나 차가운 배터리 팩이 감지되면, 냉/은 팩 지연이 자동으로 시작되어 배터리 팩이 적절한 온도가 될 때까지 충전이 중단됩니다. 이 과정이 끝나면 충전기가 자동으로 팩 충전 모드로 전환됩니다. 이 기능은 배터리 팩 수명을 최대한으로 보장하기 위한 것입니다.

차가운 배터리 팩은 따뜻한 배터리 팩보다 더 느린 속도로 충전됩니다. 충전 사이클 전체에 걸쳐 배터리 팩은 이렇게 느린 속도로 충전되며 배터리 팩이 따뜻해지더라도 최대 충전 속도로 복원되지 않습니다.

DCB118충전기에는 배터리 팩을 식히기 위해 설계된 내장 팬이 장착되어 있습니다. 배터리 팩을 식혀야 하면 팬이 자동으로 켜집니다. 팬이 제대로 작동하지 않거나 환기구가 막혀 있을 경우 충전기를 작동하지 마십시오. 이물질이 충전기 내부로 들어가지 않도록 하십시오.

**전자 보호 시스템**

XR 리튬이온 배터리 팩은 배터리에 과부하가 걸리거나 과열 또는 완전 방전된 것을 방지하는 전자 보호 시스템으로 설계되었습니다. 이 공구는 전자 보호 시스템이 작동하면 자동으로 꺼집니다. 이러한 경우 리튬 이온 배터리가 완전히 충전될 때까지 충전기에 리튬 이온 배터리 팩을 넣으십시오.

**벽 장착**

이들 충전기는 테이블 또는 작업 표면에 똑바로 세우거나 벽에 장착할 수 있도록 설계되었습니다. 벽에 장착하는 경우, 충전기는 전기 콘센트에 닿을 수 있는 범위 내에 놓고, 공기 흐름이 방해될 수 있는 코너 또는 기타 장애물로부터 멀리 두십시오. 벽에서 장착 나사의 위치는 견본으로 충전기의 뒤쪽을 사용하십시오. 나사 머리 직경이 7-9mm인 최소 25.4mm 길이의 석고보드 나사(별도 구매)를 사용해서 충전기를 단단히 장착하고, 노출된 나사의 약 5.5 mm를 남겨 두고 최적의 깊이로 목재에 고정합니다. 충전기 뒤쪽의 구멍을 노출되어 있는 나사에 맞추고 구멍에 완전히 맞물리도록 하십시오.

**충전기 청소 지침**

**⚠ 경고: 감전 위험. 청소하려면 먼저 충전기를 AC 콘센트에서 분리하십시오.** 헝겊이나 부드러운 비금속성 브러시로 충전기 외관 부분에 묻은 먼지 및 기름을 제거하십시오. 물이나 세척제를 사용하지 마십시오. 공구 내부에 액체를 넣거나 공구 부품을 액체에 담그는 행동은 절대 금물입니다.

**배터리 팩**

**모든 배터리 팩에 대한 중요한 안전 지침**

배터리 팩을 교체하기 위해 주문할 때는 카탈로그 번호와 전압을 반드시 확인하고 표기해야 합니다.

배터리 팩은 포장박스에서 꺼낼 때 완전히 충전된 상태가 아닙니다. 배터리 팩과 충전기를 사용하기 전에 아래 안전 지침을 숙독하십시오. 그런 다음 설명된 충전 절차를 따르십시오.

**모든 지시 사항을 읽으십시오**

- **가연성 액체, 가스 또는 먼지 등 폭발 위험이 있는 환경에서 배터리를 충전하거나 사용하지 마십시오.** 배터리를 끼우거나 충전기에서 분리할 때 먼지가 가스에 불이 붙을 수 있습니다.
- **충전기에 배터리 팩을 끼울 때 과도한 힘을 주지 마십시오. 어떤 형태론도 호환되지 않는 충전기에 사용하기 위해 배터리 팩을 개조하지 마십시오. 배터리 팩이 파열되어 심각한 부상을 유발할 수 있습니다.**
- DeWALT 충전기에서만 배터리 팩을 충전하십시오.
- 물이나 기타 액체가 튀어 묻거나 액체에 빠지지 않도록 하십시오.
- 온도가 40°C (104°F)를 초과할 수 있는 장소(예 : 여름철 외부 창고 또는 금속 건물)에서 공구와 배터리 팩을 보관하거나 사용하지 마십시오.
- **배터리 팩이 심하게 손상되거나 완전히 낡았다더라도 절대 소각하지 마십시오.** 배터리 팩은 불속에서 폭발할 수 있습니다. 리튬이온 배터리 팩은 연소되면서 독성 연기와 물질을 발생시킵니다.

- **배터리 내용물이 피부에 닿으면 즉시 중성 세척제로 해당 부위를 씻으십시오.** 배터리액이 눈에 들어갔을 경우, 15분 정도 또는 통증이 가실 때까지 눈을 뜨고 물로 씻어냅니다. 치료가 필요한 경우를 위해, 배터리 전해질은 액체 유기 탄산염과 리튬염의 혼합물로 구성되어 있음을 알아 두십시오.
- **열린 배터리 셀의 내용물은 호흡기 질환을 일으킬 수 있습니다.** 신선한 공기를 마시십시오. 증상이 계속되면 치료를 받으십시오.



**경고:** 화재 위험. 배터리액은 불꽃이나 화염에 노출되면 연소될 수 있습니다.



**경고:** 어떤 이유로든 배터리 팩을 절대 분해하지 마십시오. 배터리 팩 케이스가 깨지거나 손상되면 충전기에 넣지 마십시오. 배터리 팩을 문개거나 떨어뜨리거나 손상시키지 마십시오. 강한 충격을 받았거나, 떨어뜨렸거나, 차에 치였거나 기타의 원인으로 어떤 방식으로든 손상된 (뚫이 박히거나 망치로 맞았거나 발힘) 배터리 팩이나 충전기는 사용하지 마십시오. 감전 또는 감전사의 위험이 있습니다. 손상된 배터리 팩은 재활용을 위해 서비스 센터에 반환해야 합니다.



**경고:** 화재 위험. 배터리 팩을 보관하거나 휴대할 때는 노출된 배터리 단자에 금속 물체가 닿지 않도록 하십시오. 예를 들어, 못, 나사, 키 등이 있는 알차마, 주머니, 도구상자, 제품 키트 상자, 서랍 등에 배터리 팩을 두지 마십시오.



**주의:** 사용하지 않는 공구는 걸려 넘어지거나 떨어질 위험이 없는 안정된 표면에 놓혀 두십시오. 배터리 팩이 큰 일부 공구들은 배터리 팩 위에 바로 서 있지만 쉽게 넘어질 수 있습니다

**운반**



**경고:** 화재 위험. 배터리를 운반할 때 배터리 단자가 실수로 전도성 물질과 닿을 경우 화재 위험의 가능성이 있습니다. 배터리를 운반할 경우에는 배터리 단자가 보호되어 있고, 물체에 닿을 경우 단락을 일으킬 수 있는 물체로부터 제대로 절연되어 있는지 확인하십시오.  
**참고:** 리튬이온 배터리는 검사된 수화물에 넣어야 합니다.

DeWALT 배터리는 UN의 위험물 운수에 관한 권고(Recommendations on the Transport of Dangerous Goods, RTDG), 국제 항공 운송 협회(IATA)의 위험물 규정, 국제해상위험물(International Maritime Dangerous Goods, IMDG) 규정 및 국제도로위험물물운송에 관한 유럽조약(European Agreement Concerning The International Carriage of Dangerous Goods by Road (ADR))을 포함하여 산업 표준 및 법적 기준에 따라 해당되는 모든 운송 규정을 준수합니다. 리튬 이온 전지 및 배터리는 위험 화물 테스트 및 기준 설명서에 대한 UN 권고 38.3항에 따라 테스트되었습니다.

대개의 경우에, DeWALT 배터리 팩 해상 운송은 완전 규제를 받는 Class 9 위험 물질로 분류되는 것에서 제외됩니다. 일반적으로, 에너지효율 등급이 100 와트시 (Wh) 보다 큰 리튬 이온 배터리를 포함하는 수송품만 완전 규제를 받는 Class 9에 따라 운송되어야 합니다. 모든 리튬 이온 배터리에는 팩에 와트시 등급이 표시되어 있습니다. 뿐만 아니라, 규정의 복잡성으로 인해 DeWALT는 와트 시 등급에 상관 없이 리튬 이온 배터리 팩을 단독으로 항공 운송하는 것을 권장하지 않습니다. 배터리 팩의 와트시 등급이 100 Whr 보다 크지 않을 경우는 제외되므로 배터리(폼보 키트)가 포함된 공구의 수송품은 항공 운송할 수 있습니다.

수송품이 예외로 고려되든지 또는 완전 규제를 받든지 여부와 상관 없이, 포장, 라벨링/표시 및 문서 요건에 관한 최신 규정을 찾아보는 것은 운송 회사의 책임입니다.

설명서의 본 섹션에서 제공하는 정보는 옳다고 믿고 제공되며 문서가 작성되었던 시기에는 정확한 것으로 간주됩니다. 단, 보증은 명시적이거나 함축적으로 제공되지 않습니다. 활동 시 해당 규정을 준수하는 것은 구매자의 책임입니다

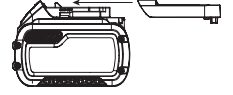
**FLEXVOLT™ 배터리 운반**

DeWALT FLEXVOLT™ 배터리에는 두 개의 모드, 즉 **사용** 및 **운반**이 있습니다.

**사용 모드:** FLEXVOLT™ 배터리가 단독으로 사용되거나 DeWALT 18V 제품에 있는 경우 18V 배터리로 작동합니다. FLEXVOLT™ 배터리가 54V 또는 108V (54V 배터리 2 개) 제품에 있으면 54V 배터리로 작동합니다.

**운반 모드:** 캠이 FLEXVOLT™ 배터리에 장착되어 있으면, 배터리는 운반 모드에 있는 것입니다. 운송 시 캠을 유지하십시오.

운반 모드에 있을 때, 더 높은 와트시 등급의 배터리1개에 비해 더 낮은 와트시(Wh) 등급의 배터리 3 개가 되는 팩 내에서 일련의 셀은 전기 연결이 끊어져 있습니다. 와트시 등급이 더 낮은 이 증가된 배터리 3개 수량은 더 높은 와트시 배터리에 부과되는 특정 수송 규정에서 팩을 면제시킬 수 있습니다.



예를 들어, 운반 Wh 정격은 3x 36 Wh를 나타내며, 각 36 Wh 배터리 3 개를 의미합니다. 사용 Wh 정격은 108 Wh를 나타낼 수 있습니다(1개 배터리 포함).

사용 및 운반 라벨 표시의 예



**보관 권장 사항**

1. 보관 장소로는 직사광선을 받지 않고 지나치게 덥거나 춥지 않은 시원하고 건조한 곳이 가장 좋습니다. 최적의 배터리 성능과 수명을 위해, 사용하지 않을 때에는 배터리 팩을 실온에서 보관하십시오.
2. 장기간 보관하는 경우, 최적의 결과를 위해 완전히 충전된 배터리 팩을 충전기에서 분리하여 서늘하고, 건조한 장소에 보관하는 것이 좋습니다.

**참고:** 배터리 팩은 완전히 방전된 상태로 보관해서는 안됩니다. 사용 전에 배터리 팩을 재충전해야 합니다.

**충전기 및 배터리 팩에 부착된 라벨**

본 설명서에 사용된 그림 외에도 충전기 및 배터리 팩에 부착된 라벨에는 다음과 같은 그림이 표시되어 있습니다.



사용 전에 사용 설명서의 내용을 숙지하십시오.



충전 시간은 **기술 데이터**를 참조하십시오.



전도성 있는 물체로 시험하지 마십시오.



손상된 배터리 팩을 충전하지 마십시오.



물에 닿지 않도록 하십시오.



손상된 코드는 즉시 교체하십시오.



4 °C ~ 40 °C 사이에서만 충전하십시오.



실내 전용.



환경 보호 차원에서 배터리 팩을 폐기하십시오.



지정된 DeWALT 충전기<sup>1</sup>로만 DeWALT 배터리 팩을 충전하십시오. DeWALT 충전기에 지정된 DeWALT 배터리 이외의 배터리 팩을 충전하면 폭발하여 다른 위험한 상황으로 이어질 수 있습니다.



배터리 팩을 소각하지 마십시오.



사용(운반 캡 미포함). 예: Wh 정격은 108 Wh 를 나타냅니다(108 Wh 배터리 1 개).



운반(내장 운반 캡 포함). 예: Wh 정격은 3 x 36 Wh (36 Wh 배터리 3 개)를 나타냅니다.

### 배터리 유형

DCMP5567는 18/20 배터리 팩에서 작동합니다.

이러한 배터리 팩은 다음을 사용할 수 있습니다: DCB181, DCB182, DCB183, DCB183B, DCB183G, DCB184, DCB184B, DCB184G, DCB185, DCB187, DCB189, DCB203, DCB204, DCB205, DCB546, DCB547, DCB548, DCB606, DCB609, DCB612. 자세한 정보는 **기술 데이터**를 참조하십시오.

### 날짜 코드 위치(그림 A)

날짜 코드에 **14**, 제조년도가 포함되어 이 제조년도는 케이스에 인쇄되어 있습니다.

예:

2021 XX XX

제조년도

### 포장 내용물

포장에는 다음 내용물이 들어 있습니다.

- 1 충전 장대형 체인톱 본체
- 1 어케 끈
- 1 리튬 이온 배터리 팩 (C1, D1, L1, M1, P1, S1, T1, X1, Y1 모델)
- 2 리튬 이온 배터리 팩 (C2, D2, L2, M2, P2, S2, T2, X2, Y2 모델)
- 3 리튬 이온 배터리 팩 (C3, D3, L3, M3, P3, S3, T3, X3, Y3 모델)

1 사용 설명서

**참고:** 배터리 팩, 충전기 및 키트 박스는 N 모델에 포함되어 있지 않습니다. 배터리 팩과 충전기는 NT 모델에 포함되어 있지 않습니다. B 모델에는 Bluetooth® 배터리 팩이 포함됩니다.

**참고:** Bluetooth® 워드 마크 및 로고는 Bluetooth®, SIG, Inc. 소유의 등록 상표이며 DeWALT의 이러한 마크 사용은 라이선스하에 있습니다. 기타 상표 및 상호는 해당 소유자의 자산입니다.

- 운반 중에 발생할 수 있는 공구, 부품 또는 액세서리의 손상 여부를 확인하십시오.
- 작동 전에 시간을 내어 본 사용 설명서를 읽고 숙지하십시오.

### 공구에 표시된 마크

공구에는 다음과 같은 그림이 있습니다.



사용 전에 사용 설명서의 내용을 숙지하십시오.



귀 보호 장구를 착용하십시오.



보안경을 착용하십시오.



비에 방치하지 마십시오.



머리 보호대를 착용하십시오.



보호 장갑을 착용하십시오.



절단 위험. 슬롯에서 손가락을 멀리하십시오.



보호 신발을 착용하십시오.



톱 체인의 회전 방향입니다.



감전 위험. 가공선에서 최소 10m 거리를 유지하십시오.



공구를 끄십시오. 공구 유지 관리 작업을 수행하기 전에 공구에서 배터리를 제거하십시오.



Directive 2000 / 14 / EC는 음력을 보장합니다.



구경꾼을 멀리하십시오.



### 설명 (그림 A)



**경고:** 전동 공구 또는 전동 공구의 어떤 부분도 절대 개조하지 마십시오. 제품이 파손되거나 신체 부상을 당할 수도 있습니다.

- 1 핸들 어셈블리
- 2 센터 확장 폴
- 3 톱 헤드 어셈블리
- 4 트리거 스위치
- 5 잠금 버튼
- 6 배터리
- 7 폼 그리퍼
- 8 슬레드 폴
- 9 슬레드 슬리브
- 10 바 클램프

- 11 스프로킷 커버
- 12 육각 헤드 나사
- 13 가이드 바
- 14 톱 체인
- 15 스킵보드
- 16 육각 렌치
- 17 오일 캡
- 18 가지 제거 후크
- 19 스트랩 마운트

## 용도

이 장대 톱은 가지 치기 작업 및 최대 직경 203mm의 가지를 절단하는 데 이상적입니다.

절대로 습한 환경이나 가연성 액체 또는 가스가 있는 곳에서 사용하지 **마십시오**.

이 장대 톱은 전문가용 전동 공구입니다.

어린이가 이 공구를 만지지 **않도록 하십시오**. 경험이 없는 작업자가 이 공구를 사용할 때는 감독자의 지도가 필요합니다.

- **어린이 및 노약자**. 본 제품은 어린이나 노약자가 사용하도록 설계되지 않았습니다. 이러한 사람이 사용할 때는 감독이 필요합니다.
- 본 제품은 안전 책임을 맡고 있는 사람이 감독을 하고 있지 않는 한 경험, 지식 또는 기술이 부족하고 신체적, 감각적 또는 정신적 능력이 미약한 사람(어린이 포함)이 사용하도록 고안된 것이 아닙니다. 이 제품과 함께 어린이만 혼자 두어서는 안됩니다.

## 조립 및 조정



**경고: 심각한 신체 부상의 위험을 줄이려면 공구를 정하거나 부착물 또는 액세서리를 제거/설치하기 전에 공구를 끄고 배터리를 분리하십시오.** 공구가 갑자기 작동하여 부상을 당할 수 있습니다.



**경고: DeWALT 배터리를 팩과 충전기만 사용하십시오.**

## 배터리 팩 삽입 및 공구에서 배터리 팩 분리 (그림 B)

**참고:** 배터리 팩 ①이 완전히 충전되었는지 확인하십시오.

### 배터리 팩을 공구 핸들에 설치하려면

1. 공구 핸들 왼쪽의 레일에 배터리 팩 ①을 맞춥니다 (그림 B).
2. 공구에 배터리 팩이 견고하게 장착될 때까지 핸들에 밀어 넣고 딸깍하고 잠기는 소리가 들리는지 확인하십시오.

### 공구에서 배터리 팩을 분리하려면

1. 탈착 버튼 24을 누르고 배터리 팩을 공구 핸들에서 완전히 빼냅니다.
2. 본 사용 설명서의 충전기 섹션에 설명된 대로 배터리 팩을 충전기에 삽입합니다.

### 잔량표시계 배터리 팩 (그림 B)

일부 DeWALT 배터리 팩에는 배터리 팩의 남아 있는 충전 레벨을 표시하는 세 개의 녹색 LED 등으로 구성된 연료계가 포함되어 있습니다.

잔량표시계를 작동시키려면, 잔량표시계 버튼 27.을 누릅니다. 녹색 LED 표시등 3개가 조합되어 커짐으로써 충전 잔량 수준을 나타냅니다. 배터리 잔량이 사용 가능한 한계치 미만이면 배터리 잔량 표시계가 켜지지 않으므로 배터리를 재충전해야 합니다.

**참고:** 잔량표시계는 배터리 팩에 남아 있는 충전 레벨을 나타내는 것일 뿐입니다. 공구의 기능성을 나타내는 것이 아니며 제품 구성품, 온도 및 최종 사용자의 용도에 따라 변경될 수 있습니다.

## 톱 체인 설치 및 제거 (그림 A, C-E)



**경고: 날카로운 움직이는 칼날. 우발적 인 작동을 방지하려면 다음 작업을 수행하기 전에 배터리가 핸들에서 분리되었는지 확인하십시오. 이렇게 하지 않으면 심각한 부상을 입을 수 있습니다.**



**주의: 날카로운 움직이는 칼날. 체인을 설치하거나 제거할 때는 항상 보호 장갑을 착용하십시오. 체인은 날카롭고 작동하지 않을 때 절단할 수 있습니다.**

1. 공구를 단단한 표면에 놓습니다. 제공된 육각 렌치 16를 사용하여 육각 머리 나사 2개 12를 시계 반대 방향으로 돌립니다.
2. 스프로킷 덮개 11, 바 클램프 10, 육각 헤드 나사를 제거합니다.
3. 톱 체인 14을 제거하려면 렌치의 일자 드라이버 끝을 사용하여 하우징 전면의 나사 20를 돌립니다. 나사를 시계 반대 방향으로 돌리면 가이드 바 13가 후퇴하고 체인의 장력이 감소하여 제거될 수 있습니다.
4. 가이드 바의 홈에서 마모 된 톱 체인을 들어 올립니다.
5. 가이드 바를 뒤집습니다.
6. 톱 체인을 교체하려면 가이드 바의 슬롯이 그림 E에 표시된 위치 핀 21 위에 있고 슬롯 아래의 구멍이 조정 핀 위에 있는지 확인합니다.
7. 가이드 바의 홈과 스프라켓 주위에 새 체인을 놓습니다. 하우징 또는 가이드 바의 그래픽을 일치시켜 톱나가 올바른 방향을 향하고 있는지 확인합니다.
8. 하우징 앞쪽의 나사를 시계 방향으로 돌려 체인 장력을 높입니다.
9. 스프로킷 커버, 바 클램프, 육각 헤드 나사를 교체합니다.
10. 체인 장력 조정 섹션의 지침을 따릅니다.

## 체인 장력 조정 (그림 A, D, F, G)

1. 공구가 단단한 표면에 있는 상태에서 톱 체인 14 장력을 확인합니다. 그림 F와 같이 가운데 손가락과 엄지 손가락으로 가벼운 힘으로 가이드 바 13에서 3mm 떨어진 후 톱 체인이 뒤로 튕겨 나간면 장력이 올바른 것입니다. 가이드 바 사이에 '처짐'이 없어야 합니다. 그림 G와 같이 밀면 톱 체인이 있습니다.
2. 톱 체인 장력을 조정하려면 육각 헤드 나사 12를 푼다.
3. 렌치의 일자 드라이버 끝을 사용하여 하우징 전면의 나사 20를 회전합니다.
4. 톱 체인을 과도하게 조이면 과도한 마모가 발생하고 가이드 바와 톱 체인의 수명이 단축될 수 있습니다. 과도한 장력은 또한 배터리 충전 당 절단되는 양을 줄입니다.
5. 톱 체인 장력이 정확하면 육각 헤드 나사 12를 조여 바를 고정합니다.
6. 톱 체인이 새 것이면 새 체인이 약간 늘어날 때 처음 2시간 동안 사용하는 동안 (배터리를 분리한 후) 자주 장력을 확인하십시오.

**참고:** 톱 체인 장력은 정기적으로 조정해야 합니다.

## 톱 체인 및 가이드 바 오일 링(그림 H)

### 자동 오일 링 시스템

본 공구에는 톱 체인과 가이드 바를 지속적으로 윤활하는 자동 오일 링 시스템이 장착되어 있습니다. 오일 레벨 표시기 25는 체인 톱의 오일 레벨을 표시합니다. 오일 레벨이 1/4 미만이면 장대 톱에서 배터리를 제거하고 올바른 종류의 오일로 보충하십시오.

**참고:** 절단 작업이 끝나면 항상 오일 탱크를 비우십시오.

**참고:** 적절한 체인 및 바 윤활을 위해 고품질 바 및 체인 오일을 사용하십시오. 임시 대체품으로 비 제재 SAE30 중량 모터 오일을 사용할 수 있습니다. 나무를 가지칠 때 식물성 바 및 체인 오일을 사용하는 것이 좋습니다. 미네랄 오일은 나무에 해를 끼칠 수 있으므로 권장하지 않습니다. 페유 나 매우 진한 기름을 사용하지 마십시오. 장대 톱이 손상 될 수 있습니다.

### 오일 탱크 채우기

- 오일 캡 **17** 을 제거하고 오일 레벨이 오일 레벨 표시기 **25** 의 상단에 도달 할 때까지 권장 바와 체인 오일로 오일 탱크를 채웁니다.
- 오일 캡을 다시 장착하십시오.
- 주기적으로 체인 톱을 끄고 오일 레벨 표시기를 점검하여 바와 체인에 적절하게 오일이 도포되었는지 확인하십시오.

### 공구 이동 시 (그림 A)

항상 핸들에서 배터리 팩 **6** 을 제거하고 풀 톱을 운반할 때 칼집 **15** 으로 톱 체인 **14** 을 덮으십시오.

### 톱 헤드 모듈을 결합하여 모듈 처리 (그림 I-I)

**경고:** 날카로운 움직이는 칼날. 우발적 인 작동을 방지하려면 다음 작업을 수행하기 전에 배터리를 핸들에서 분리하고 보호용 칼집이 체인에 있는지 확인하십시오. 이렇게 하지 않으면 심각한 부상을 입을 수 있습니다.

장대 톱을 구성하는 세 개의 어셈블리는 올바른 어셈블리를 보장하기 위해 키가 있습니다. 어셈블리가 다른 어셈블리에 매끄럽게 연결되지 않는 경우 강제로 맞추지 마십시오.

핸들 어셈블리 **1** 을 톱 헤드 어셈블리 **3** 에 결합하면 그림 I에 표시된대로 길이가 약 1.8m 인 장대 톱이 생성됩니다.

핸들 어셈블리를 톱 헤드 어셈블리에 부착하려면:

1. 핸들 어셈블리 **1** 의 연결 끝 바깥쪽에 있는 홈 **22** 을 톱 헤드 어셈블리 **3** 의 연결 끝 안쪽에 있는 텅 **23** 에 맞춥니다. 그림 J를 참조하십시오. 두 섹션을 완전히 합칩니다. 그림 K를 참조하십시오.
2. 톱 헤드 어셈블리의 나사산 슬리브 **9** 를 가능한 한 아래로 밀고 슬리브가 멈출 때까지 시계 방향으로 돌려 그림 L과 같이 나사산을 완전히 덮습니다.

**경고:** 슬리브가 완전히 끼워져 있고 빨간색 실이 더 이상 보이지 않는지 항상 확인하십시오. 슬리브를 완전히 끼우지 않으면 어셈블리가 분리되어 위험한 상태가 될 수 있습니다. 주기적으로 연결을 확인하여 빨간색 슬레드가 보이지 않는지 확인하십시오.

### 톱 헤드 모듈 및 핸들 모듈에 센터 익스텐션 결합 (그림 A, M)

핸들 어셈블리 **1** 및 톱 헤드 어셈블리 **3** 에 센터 익스텐션 **2** 을 추가하면 그림 M과 같이 길이가 약 2.7m 인 장대 톱이 생성됩니다.

핸들 어셈블리 및 톱 헤드 어셈블리에 중간 어셈블리를 부착하는 방법에 대한 지침은 **톱 헤드 모듈을 핸들 모듈에 결합**을 참조하십시오.

**경고:** 슬리브가 완전히 끼워져 있고 빨간색 실이 더 이상 보이지 않는지 항상 확인하십시오. 슬리브를 완전히 끼우지 않으면 어셈블리가 분리되어 위험한 상태가 될 수 있습니다. 주기적으로 연결을 확인하여 빨간색 슬레드가 보이지 않는지 확인하십시오.

### 분해

**경고:** 심각한 부상의 위험을 줄이려면 조정 또는 부착물 또는 액세서리 제거 / 설치 전에 공구를 끄고 배터리 팩을 제거하십시오. 실수로 작동하면 부상을 입을 수 있습니다.

### 톱 헤드 모듈 분리 (그림 N)

**경고:** 날카로운 움직이는 칼날. 우발적 인 작동을 방지하려면 다음 작업을 수행하기 전에 배터리를 핸들에서 분리하고 보호용 칼집이 체인에 있는지 확인하십시오. 이렇게 하지 않으면 심각한 부상을 입을 수 있습니다.

조립품을 분리 할 때 2조립 또는 3조 조립 모드에 관계없이 항상 톱 헤드 조립품 **3** 을 먼저 분리하십시오. 이렇게 하려면 핸들 어셈블리 할 때 2조립 또는 3조 조립 모드에 관계없이 항상 톱 헤드 조립품 **1** 을 바닥에 놓고 그림 N과 같이 한 손으로 톱 헤드 어셈블리의 중앙부를 잡습니다. 다른 손으로 나사산 슬리브를 푼 다음 두 반쪽을 분리합니다. 센터 익스텐션이 부착 된 경우 이 과정을 반복합니다.

### 슬더 스트랩 부착 및 조정 (그림 O)

이 장대 톱은 조절 가능한 슬더 스트랩과 함께 제공됩니다.

1. 슬더 스트랩 결쇠 **28** 를 그림 O와 같이 스트랩 마운트 **19** 에 끼웁니다.
2. 어깨에 단단히 고정되도록 스트랩을 조정합니다.

### 조작

#### 사용 지침

**경고:** 항상 안전 지시 사항과 해당 규정을 준수하십시오.

**경고:** 심각한 신체 부상의 위험을 줄이려면 공구를 정하거나 부착물 또는 액세서리를 제거/설치하기 전에 공구를 끄고 배터리 팩을 분리하십시오. 공구가 갑자기 통하여 부상을 당할 수 있습니다.

#### 올바른 손의 위치 (그림 P)

**경고:** 심각한 신체 부상의 위험을 줄이려면 항상 그림과 같이 올바르게 손을 위치하십시오.

**경고:** 심각한 신체 부상의 위험을 줄이려면 항상 급작스러운 반동을 예상하고 확실하게 잡으십시오.

적절한 손 위치는 한 손은 주 핸들 **29** 에, 다른 한 손은 보조 핸들 **7** 에 있어야 합니다.

#### 공구 작동 (그림 A)

**경고:** 모든 지침을 읽고 이해하십시오. 아래 나열된 모든 지침을 따르지 않을 경우 감전, 화재 및 / 또는 심각한 부상을 입을 수 있습니다.

**경고:** 작업을 마친 후에는 항상 체인의 장력을 다시 확인하십시오. 체인은 식으면서 수축합니다. 느슨해지지 않으면 장대 톱이 손상될 수 있습니다.

**중요사항:** 손상되었거나 부적절하게 조정되었거나 완전하고 단단하게 조립되지 않은 장대 톱을 작동하지 마십시오. 트리거 스위치를 놓으면 톱 체인 **14** 이 움직이지 않는지 확인합니다. 모터가 작동 중이거나 배터리가 장착 된 상태에서 가이드 바 **13** 또는 톱 체인을 조정하지 마십시오.

#### 트리밍 / 가지 치기

**경고:**

- 절단하는 가지 바로 아래에 서지 마십시오. 항상 떨어지는 파편의 경로에서 벗어나십시오.



- **항상 머리, 눈, 발 및 신체 보호 장치를 착용하십시오.** 신체 보호 장치를 착용하면 이 공구를 작동할 때 부상 위험을 줄이는 데 도움이 됩니다.
- **공구를 사용하는 동안 사다리 나 기타 불안정한 지지대 위에 서지 마십시오.** 균형을 잃고 심각한 부상을 입을 수 있는 위치는 항상 피하십시오.
- **무관자는 작업 영역에서 최소 15m 떨어진 곳에 위치하십시오.** 주의가 산만 해지면 통제력을 잃을 수 있습니다.
- **감전 위험.** 감전을 방지하려면 머리 위 전선에서 15m 이내에서 작동하지 마십시오. 주변에 숨겨진 전선이 있는지 항상 확인하십시오.
- **장대 톱 스위치 핸들을 어깨 높이 위로 늘리지 마십시오.**

## On/Off 스위치 (그림 Q)

항상 발을 딛고 엄지와 손가락으로 핸들을 껐싸고 양손으로 장대 톱을 단단히 잡으십시오. 공구를 켜려면 엄지 손가락으로 잠금 버튼 **5** 을 뒤로 당긴 다음 그림 Q와 같이 손가락으로 트리거 스위치 **4** 를 꺾습니다. 공구가 작동되면 잠금 버튼을 놓을 수 있습니다. 공구를 끄려면 트리거 스위치를 놓습니다.

## 가지 제거 후크 (그림 A)

**주의:** 가지 제거 고리는 벨트 고리가 아닙니다.

본 공구에는 작은 크기에서 적당한 크기의 가지 치기 가지를 제거하는 데 도움을 주기 위한 가지 제거 고리 **18** 가 포함되어 있습니다.

## 가지 치기 (그림 A, P, R)

**경고:** 공구가 자체 속도로 작동하도록 하십시오. 과부하하지 마십시오.

**경고:** 나무 가지 칠 때: 심각한 부상이나 사망을 초래할 수 있는 기계 반동을 방지하십시오. 기계 반동 위험을 방지하려면 **반동 방지 보호**를 참조하십시오. 지나치게 손을 뺀지 마십시오. 팔꿈치 단단한 지 확인하십시오. 발을 밟으십시오. 두 발로 체중을 균등하게 나눕니다.

1. 그림 P와 같이 양손으로 공구를 잡으십시오. 단단히 잡으십시오. 엄지와 손가락으로 장대 톱 핸들과 장대를 껐싸야 합니다. 그림 R 에 표시된 톱밥 배출 슈트 **26** 에서 손가락을 멀리하십시오.
2. 나무, 어색한 위치 또는 사다리 또는 기타 불안정한 표면에서 작동하지 마십시오. 공구가 통제력을 잃어 심각한 부상을 입을 수 있습니다.
3. 아래 지침에 따라 다음을 하십시오.
  - a. 절단하기 전에 공구가 최고 속도로 작동하는지 확인하십시오. 절단을 시작할 때 움직이는 톱 체인 **14** 을 팔다리에 대십시오. 공구가 튀거나 스케이팅(옆으로 움직임을) 방지하기 위해 공구를 제자리에 단단히 고정하십시오.
  - b. 가벼운 압력을 사용하여 공구를 안내하십시오. 먼저 사지 밑면의 나무 줄기에서 152mm를 자릅니다. 가이드 바의 상단 **13** 을 사용하여 절단합니다. 사지 직경의 1/3을 자릅니다. 그런 다음 상단에서 마무리를 자릅니다. 바닥에서 두꺼운 가지를 자르려고 하면 가지가 달고 절단에서 톱 체인이 끼일 수 있습니다. 얇은 언더컷없이 뒷부분에서 두꺼운 가지를 자르려고 하면 가지가 쪼개질 수 있습니다. 장대 톱을 역자로 누르지 마십시오. 모터가 과부하되어 타 버릴 수 있습니다. 의도 한 속도로 작업을 더 원활하고 안전하게 수행할 수 있습니다.

- c. 최대 속도로 작동하는 동안 절단부에서 장대 톱을 제거하십시오. 트리거 스위치 **4** 를 놓아 장대 톱 작동을 중지하십시오. 장대 톱을 내려 놓기 전에 톱 체인이 중지되었는지 확인하십시오.

## 톱 체인 연마

**주의:** 체인 연마. 체인을 다룰 때는 항상 보호 장갑을 착용하십시오. 체인은 날카롭고 작동하지 않을 때 절단할 수 있습니다.

**중요사항:** 체인 절단기는 절단 중에 땅, 돌, 석조물 또는 못에 닿으면 즉시 무더집니다.

체인 톱에서 최상의 성능을 얻으려면 톱 체인의 톱니를 날카롭게 유지하는 것이 중요합니다. 체인 연마 서비스는 가까운 DeWALT 서비스 센터에서 제공됩니다.

**참고:** 톱 체인을 날카롭게 할 때마다 감소 된 반동 품질이 일부 손실되므로 각별히 주의해야 합니다. 톱 체인은 4회 이하로 연마하는 것이 좋습니다.

## 유지 보수

DeWALT 전동 공구는 최소한의 유지 보수로 장기간에 걸쳐 작업이 가능하도록 설계되어 있습니다. 만족스러운 연속 작동은 적절한 공구 관리와 정기적인 청소에 따라 그 성능이 달라질 수 있습니다.

**경고: 심각한 신체 부상의 위험을 줄이려면 공구를 정하거나 부착물 또는 액세서리를 제거/설치하기 전에 공구를 끄고 배터리 팩을 분리하십시오.** 공구가 갑자기 작동하여 부상을 당할 수 있습니다.

충전기 및 배터리 팩은 수리할 수 없습니다.

정기적인 유지 보수는 공구의 긴 유효 수명을 보장합니다. 10분마다 사용 후 배터리를 제거해야 합니다 (체인과 바가 뜨거울 수 있음에 유의하십시오). 바 및 체인의 장력이 올바르게 확인하고 **체인 장력 및 체인 오일 링 조정**에 따라 윤활유를 바릅니다.



## 윤활방법

전동 공구는 별도의 윤활 작업이 필요하지 않습니다.



## 청소

**경고:** 통풍구 속이나 주변에 먼지가 쌓여있는 것이 보이면 가능한 한 자주 건조한 공기를 이용하여 메인 하우징에서 먼지를 불어내십시오. 이 절차를 수행할 때에는 승인된 눈 보호 장구 및 승인된 방진 마스크를 착용하십시오.

**경고:** 공구의 비금속성 부분을 청소할 때는 용제 등의 강력한 화학약품을 절대 사용하지 마십시오. 그렇지 않으면 이러한 부분에 사용된 재료가 약해질 수 있습니다. 형광에 물과 혼합 비누를 적셔 닦아주십시오. 공구 내부에 액체를 넣거나 공구 부품을 액체에 담그는 행동은 절대 금물입니다

## 선택 액세서리

**경고:** DeWALT에서 제공하지 않은 액세서리는 본 제품에서 테스트되지 않았으므로 본 제품에서 이러한 액세서리를 사용하면 위험할 수 있습니다. 신체 부상의 위험을 줄이려면 본 제품에 일할 액세서리만 사용해야 합니다.

해당 액세서리에 대한 자세한 정보는 판매 대리점으로 문의하십시오.

## 환경 보호



분리 수거. 이 기호가 표시된 제품과 배터리를 일반 가정용 쓰레기와 함께 처리하면 안됩니다.

제품과 배터리에는 재용되거나 재활용되고 고철 자원에 대한 수요를 줄일 수 있는 자재가 포함되어 있습니다. 전기 제품과 배터리는 지역 규정에 따라 재활용하십시오. 자세한 내용은 [www.2helpU.com](http://www.2helpU.com) 에서 찾아볼 수 있습니다.

## 충전용 배터리 팩

이전에 쉽게 수행했던 작업에 대해 충분한 힘을 발휘하지 못하는 배터리 팩은 재충전해야 합니다. 배터리 수명이 다하면 환경 보호 차원에서 배터리 팩을 폐기하십시오.

- 배터리 팩을 완전히 사용하고 난 후 공구에서 분리하십시오.
- 리튬이온 전지는 재활용할 수 있습니다. 이 전지를 판매점이나 지역 재활용 센터로 가져가십시오. 수집된 배터리 팩은 재활용되거나 적절히 폐기됩니다.

## 정비 및 수리

DeWALT는 고객들에게 가장 효율적이고 신뢰할 수 있는 서비스를 제공하기 위하여 훈련된 직원들로 센터를 구성하고 있습니다.

사용자의 안전 및 제품의 신뢰성을 보장하기 위하여 제품의 정비, 유지 보수 및 수리는 반드시 공인된 서비스센터에서 수행해야 합니다. 자격이 없는 곳으로부터 받은 제품의 정비 및 수리는 사용자의 부상 위험 및 불이익을 초래할 수 있습니다. 가까운 DeWALT 서비스센터의 위치를 알아보려면, 제품과 함께 동봉된 전단을 통해 전화번호, 홈페이지 주소 및 기타 연락처 등을 확인할 수 있습니다.

## 문제 해결 안내사항

안전 규칙 및 지침을 따르십시오

제품에 대한 지원을 받으려면 당사 웹 사이트 [www.dewalt.com](http://www.dewalt.com)을 방문하여 서비스 센터 목록을 확인하십시오

문제	가능한 원인	해결책
기기가 작동하지 않습니다	배터리 팩이 제대로 설치되지 않았습니다.	배터리 팩 설치를 확인하십시오.
	배터리 팩이 충전되지 않았습니다.	배터리 팩 충전 요구 사항을 확인하십시오.
	잠금 버튼을 작동하지 않습니다.	잠금 버튼을 뒤로 당기거나 트리거를 작동합니다.
	극 연결이 제대로 조여지지 않았습니다.	<b>핸들 모듈에 림 헤드 모듈 결합</b> 을 참조하십시오.
배터리 팩이 충전되지 않습니다.	배터리 팩이 충전기에 삽입되지 않았습니다.	LED가 켜질 때까지 배터리 팩을 충전기에 삽입합니다.
	충전기가 연결되지 않았습니다.	충전기를 작동하는 콘센트에 꽂습니다. 자세한 내용은 <b>배터리 충전</b> 관련 사항을 참조하십시오.
	주변 공기 온도가 너무 높거나 너무 낮습니다.	배터리 팩을 45°C (40°F) 이상 또는 +40°C (104°F) 미만의 환경으로 옮기십시오.
바 / 체인이 과열되었습니다.	체인이 너무 뻑뻑합니다.	<b>체인 장력 조정</b> 을 참조하십시오.
	윤활이 필요합니다.	<b>체인 오일 링</b> 을 참조하십시오.
체인이 느슨합니다.	체인 장력이 잘못 설정되었습니다.	<b>체인 장력 조정</b> 을 참조하십시오.
절단 품질이 좋지 않습니다.	체인 장력이 잘못 설정되었습니다.	<b>체인 장력 조정</b> 을 참조하십시오. <b>참고:</b> 과도한 장력은 장대 및 체인의 과도한 마모 및 수명 감소로 이어집니다. 사용 후 10 분마다 윤활하십시오.
	체인을 교체해야 합니다.	<b>림 체인 설치 및 제거</b> 를 참조하십시오.
공구가 작동하지만 절단되지 않습니다.	체인이 거꾸로 설치되었습니다.	<b>림 체인 설치 및 제거</b> 를 참조하십시오.

