

**DEWALT®**

**[www.DEWALT.com](http://www.DEWALT.com)**

**DCMPH566**

---

English (*original instructions*)

4

---

한국어

15

---

Fig. A  
그림 A

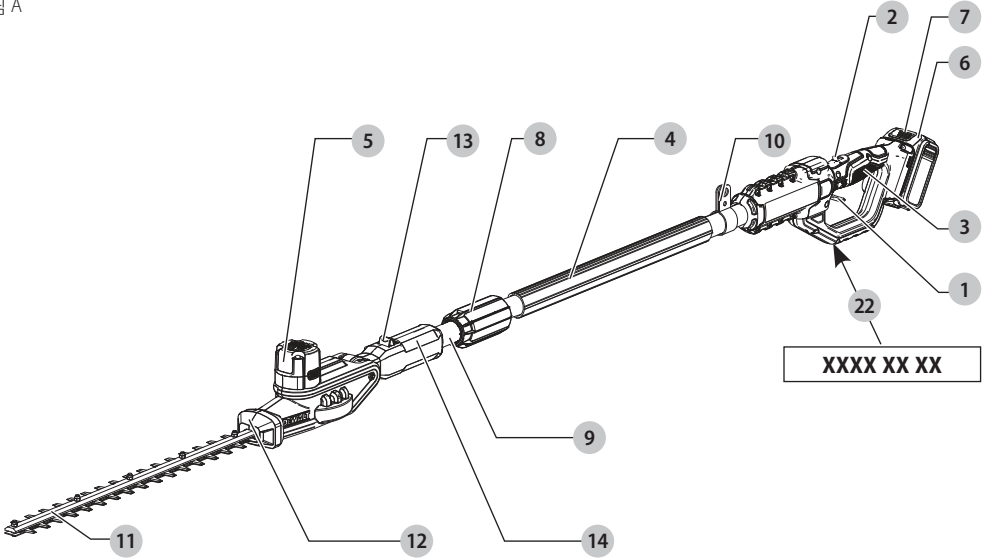


Fig. B  
그림 B

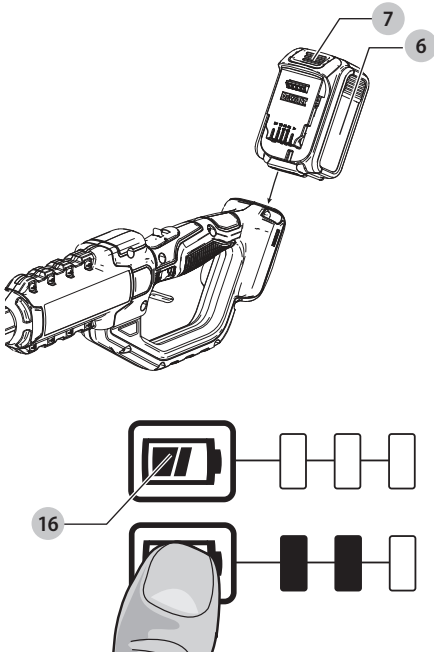


Fig. C  
그림 C

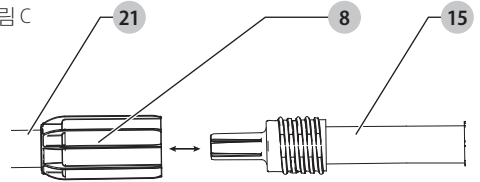


Fig. D  
그림 D

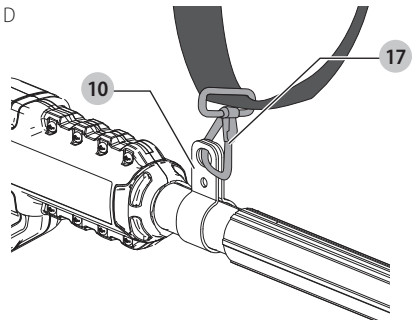


Fig. E  
그림 E

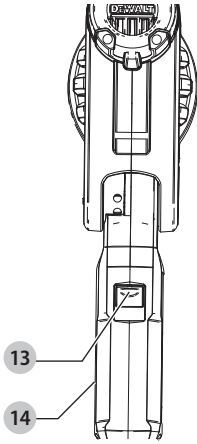


Fig. F  
그림 F

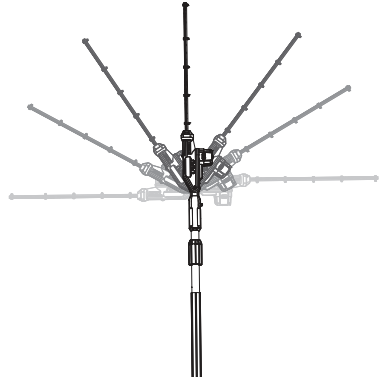


Fig. G  
그림 G

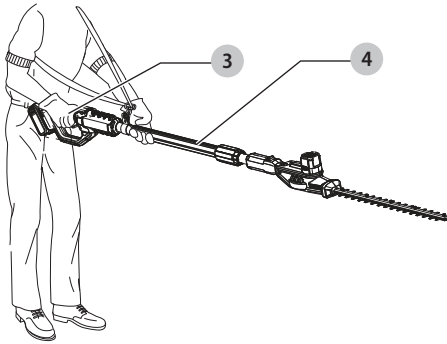


Fig. H  
그림 H

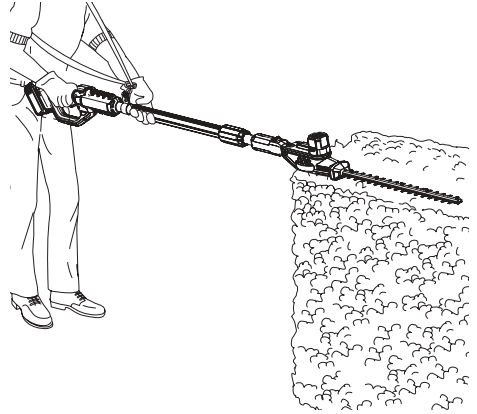


Fig. I  
그림 I

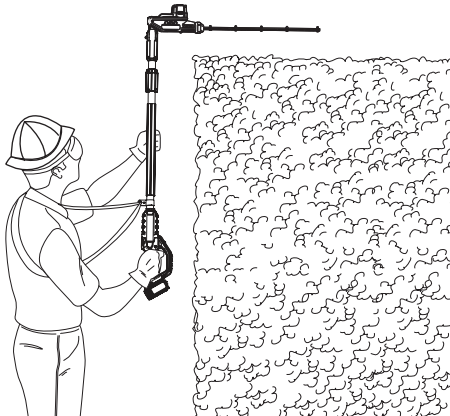


Fig. J  
그림 J

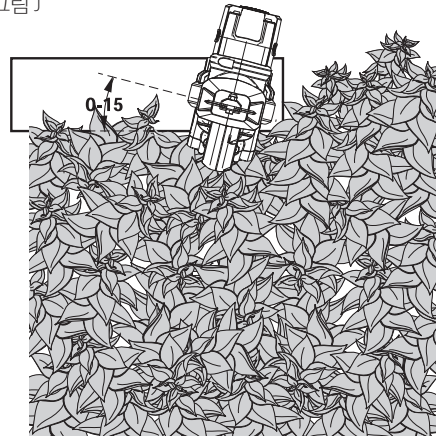


Fig. K  
그림 K

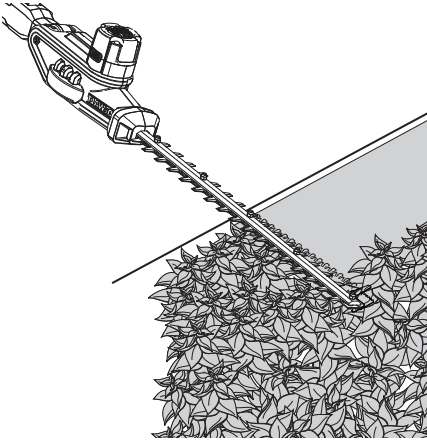


Fig. L  
그림 L

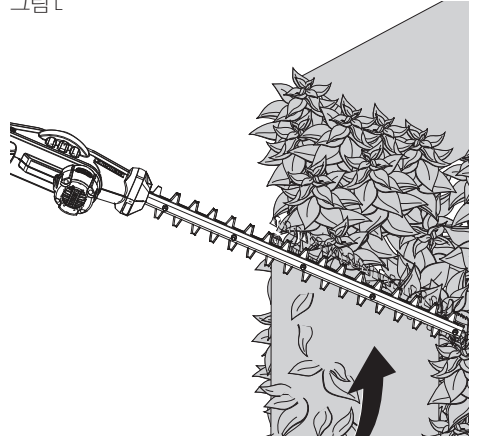


Fig. M  
그림 M

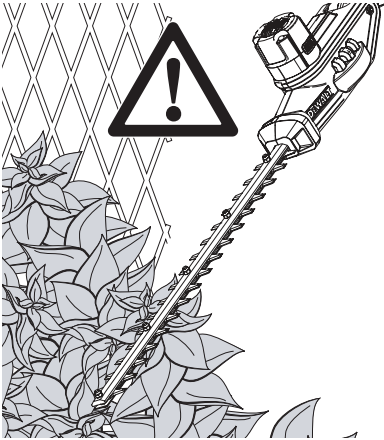
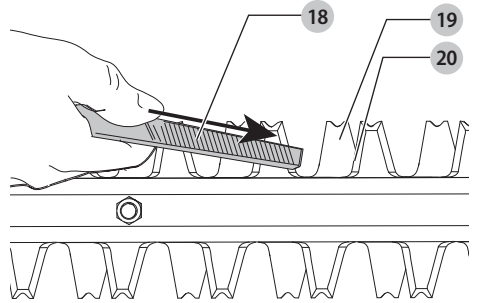


Fig. N  
그림 N



# 18V POLE HEDGE TRIMMER

## DCMPH566

### Congratulations!

You have chosen a DeWALT tool. Years of experience, thorough product development and innovation make DeWALT one of the most reliable partners for professional power tool users.

### Technical Data

		DCMPH566
Voltage	$V_{DC}$	18(20 Max)
Battery type		Li-Ion
SPM		2800
Weight (without battery pack)	kg	3,6
Vibration emission value $a_{rh}$ =	$m/s^2$	2,5
Uncertainty K =	$m/s^2$	1,5

**!** **WARNING:** The declared vibration and/or noise emission level represents the main applications of the tool. However if the tool is used for different applications, with different accessories or poorly maintained, the vibration and/or noise emission may differ. This may significantly increase the exposure level over the total working period.

An estimation of the level of exposure to vibration and/or noise should also take into account the times when the tool is switched off or when it is running but not actually doing the job. This may significantly reduce the exposure level over the total working period.

Identify additional safety measures to protect the operator from the effects of vibration and/or noise such as: maintain the tool and the accessories, keep the hands warm (relevant for vibration), organisation of work patterns.



**WARNING:** To reduce the risk of injury, read the instruction manual.

### Definitions: Safety Guidelines

The definitions below describe the level of severity for each signal word. Please read the manual and pay attention to these symbols.



**DANGER:** Indicates an imminently hazardous situation which, if not avoided, **will** result in **death or serious injury**.



**WARNING:** Indicates a potentially hazardous situation which, if not avoided, **could** result in **death or serious injury**.



**CAUTION:** Indicates a potentially hazardous situation which, if not avoided, **may** result in **minor or moderate injury**.

**NOTICE:** Indicates a practice **not related to personal injury** which, if not avoided, **may** result in **property damage**.



Denotes risk of electric shock.



Denotes risk of fire

Batteries				Chargers / Charge Times (Minutes)								
Cat#	$V_{DC}$	Ah	Weight(kg)	DCB104	DCB107	DCB112	DCB113	DCB115	DCB118	DCB132	DCB119	
DCB546/DCB606	18/54 (20/60 Max)	6.0/2.0	1.05	60	270	170	140	90	60	90	X	
DCB547/DCB609	18/54 (20/60 Max)	9.0/3.0	1.46	75*	420	270	220	135*	75*	135*	X	
DCB548/DCB612	18/54 (20/60 Max)	12.0/4.0	1.44	120	540	350	300	180	120	180	X	
DCB181	18 (20 Max)	1.5	0.35	22	70	45	35	22	22	22	45	
DCB182/DCB204	18 (20 Max)	4.0	0.61	60/40**	185	120	100	60	60/40**	60	120	
DCB183/DCB203	18 (20 Max)	2.0	0.40	30	90	60	50	30	30	30	60	
DCB184/DCB205	18 (20 Max)	5.0	0.62	75/50**	240	150	120	75	75/50**	75	150	
DCB185	18 (20 Max)	1.3	0.35	22	60	40	30	22	22	22	X	
DCB187	18 (20 Max)	3.0	0.54	45	140	90	70	45	45	45	90	
DCB189	18 (20 Max)	4.0	0.54	60	185	120	100	60	60	60	120	

\*Date code 201811475B or later

\*\*Date code 201536 or later

## GENERAL POWER TOOL SAFETY WARNINGS



**WARNING:** Read all safety warnings, instructions, illustrations and specifications provided with this power tool. Failure to follow all instructions listed below may result in electric shock, fire and/or serious injury.

### SAVE ALL WARNINGS AND INSTRUCTIONS FOR FUTURE REFERENCE.

The term "power tool" in the warnings refers to your mains-operated (corded) power tool or battery-operated (cordless) power tool.

#### 1) Work Area Safety

- Keep work area clean and well lit.** Cluttered or dark areas invite accidents.
- Do not operate power tools in explosive atmospheres, such as in the presence of flammable liquids, gases or dust.** Power tools create sparks which may ignite the dust or fumes.
- Keep children and bystanders away while operating a power tool.** Distractions can cause you to lose control.

#### 2) Electrical Safety

- Power tool plugs must match the outlet. Never modify the plug in any way. Do not use any adapter plugs with earthed (grounded) power tools.** Unmodified plugs and matching outlets will reduce risk of electric shock.
- Avoid body contact with earthed or grounded surfaces, such as pipes, radiators, ranges and refrigerators.** There is an increased risk of electric shock if your body is earthed or grounded.
- Do not expose power tools to rain or wet conditions.** Water entering a power tool will increase the risk of electric shock.
- Do not abuse the cord. Never use the cord for carrying, pulling or unplugging the power tool. Keep cord away from heat, oil, sharp edges or moving parts.** Damaged or entangled cords increase the risk of electric shock.
- When operating a power tool outdoors, use an extension cord suitable for outdoor use.** Use of a cord suitable for outdoor use reduces the risk of electric shock.
- If operating a power tool in a damp location is unavoidable, use a residual current device (RCD) protected supply.** Use of an RCD reduces the risk of electric shock.

#### 3) Personal Safety

- Stay alert, watch what you are doing and use common sense when operating a power tool. Do not use a power tool while you are tired or under the influence of drugs, alcohol or medication.** A moment of inattention while operating power tools may result in serious personal injury.
- Use personal protective equipment. Always wear eye protection.** Protective equipment such as a dust mask, non-skid safety shoes, hard hat or hearing protection used for appropriate conditions will reduce personal injuries.

- Prevent unintentional starting. Ensure the switch is in the off-position before connecting to power source and/or battery pack, picking up or carrying the tool.** Carrying power tools with your finger on the switch or energising power tools that have the switch on invites accidents.
- Remove any adjusting key or wrench before turning the power tool on.** A wrench or a key left attached to a rotating part of the power tool may result in personal injury.
- Do not overreach. Keep proper footing and balance at all times.** This enables better control of the power tool in unexpected situations.
- Dress properly. Do not wear loose clothing or jewellery. Keep your hair and clothing away from moving parts.** Loose clothes, jewellery or long hair can be caught in moving parts.
- If devices are provided for the connection of dust extraction and collection facilities, ensure these are connected and properly used.** Use of dust collection can reduce dust-related hazards.
- Do not let familiarity gained from frequent use of tools allow you to become complacent and ignore tool safety principles.** A careless action can cause severe injury within a fraction of a second.

#### 4) Power Tool Use and Care

- Do not force the power tool. Use the correct power tool for your application.** The correct power tool will do the job better and safer at the rate for which it was designed.
- Do not use the power tool if the switch does not turn it on and off.** Any power tool that cannot be controlled with the switch is dangerous and must be repaired.
- Disconnect the plug from the power source and/or remove the battery pack, if detachable, from the power tool before making any adjustments, changing accessories, or storing power tools.** Such preventive safety measures reduce the risk of starting the power tool accidentally.
- Store idle power tools out of the reach of children and do not allow persons unfamiliar with the power tool or these instructions to operate the power tool.** Power tools are dangerous in the hands of untrained users.
- Maintain power tools and accessories. Check for misalignment or binding of moving parts, breakage of parts and any other condition that may affect the power tool's operation. If damaged, have the power tool repaired before use.** Many accidents are caused by poorly maintained power tools.
- Keep cutting tools sharp and clean.** Properly maintained cutting tools with sharp cutting edges are less likely to bind and are easier to control.
- Use the power tool, accessories and tool bits etc. in accordance with these instructions, taking into account the working conditions and the work to be performed.** Use of the power tool for operations different from those intended could result in a hazardous situation.

- h) **Keep handles and grasping surfaces dry, clean and free from oil and grease.** Slippery handles and grasping surfaces do not allow for safe handling and control of the tool in unexpected situations.

## 5) Battery Tool Use and Care

- a) **Recharge only with the charger specified by the manufacturer.** A charger that is suitable for one type of battery pack may create a risk of fire when used with another battery pack.
- b) **Use power tools only with specifically designated battery packs.** Use of any other battery packs may create a risk of injury and fire.
- c) **When battery pack is not in use, keep it away from other metal objects, like paper clips, coins, keys, nails, screws or other small metal objects, that can make a connection from one terminal to another.** Shorting the battery terminals together may cause burns or a fire.
- d) **Under abusive conditions, liquid may be ejected from the battery; avoid contact. If contact accidentally occurs, flush with water. If liquid contacts eyes, additionally seek medical help.** Liquid ejected from the battery may cause irritation or burns.
- e) **Do not use a battery pack or tool that is damaged or modified.** Damaged or modified batteries may exhibit unpredictable behaviour resulting in fire, explosion or risk of injury.
- f) **Do not expose a battery pack or tool to fire or excessive temperature.** Exposure to fire or temperature above 130 °C may cause explosion.
- g) **Follow all charging instructions and do not charge the battery pack or tool outside the temperature range specified in the instructions.** Charging improperly or at temperatures outside the specified range may damage the battery and increase the risk of fire.

## 6) Service

- a) **Have your power tool serviced by a qualified repair person using only identical replacement parts.** This will ensure that the safety of the power tool is maintained.
- b) **Never service damaged battery packs.** Service of battery packs should only be performed by the manufacturer or authorized service providers.

## Additional Safety Instructions for Hedge Trimmers



**WARNING:** Cutting elements continue to move after the motor is switched off.

- **Keep all parts of the body away from the blade. Do not remove cut material or hold material to be cut when blades are moving.** Blades continue to move after the switch is turned off. A moment of inattention while operating the hedge trimmer may result in serious personal injury.
- **Carry the hedge trimmer by the handle with the blade stopped and taking care not to operate any power switch.** Proper carrying of the hedge trimmer will decrease the risk of inadvertent starting and resultant personal injury from the blades.
- **When transporting or storing the hedge trimmer, always fit the blade cover.** Proper handling of the hedge trimmer will decrease the risk of personal injury from the blades.
- **When clearing jammed material or servicing the unit, make sure all power switches are off and the battery pack is removed or disconnected.** Unexpected actuation of the hedge trimmer while clearing jammed material or servicing may result in serious personal injury.
- **Hold the hedge trimmer by insulated gripping surfaces only, because the blade may contact hidden wiring.** Blades contacting a "live" wire may make exposed metal parts of the hedge trimmer "live" and could give the operator an electric shock.
- **Keep all power cords and cables away from cutting area.** Power cords or cables may be hidden in hedges or bushes and can be accidentally cut by the blade.
- **Do not use the hedge trimmer in bad weather conditions, especially when there is a risk of lightning.** This decreases the risk of being struck by lightning.
- **To reduce the risk of electrocution, never use the extended-reach hedge trimmer near any electrical power lines.** Contact with or use near power lines may cause serious injury or electric shock resulting in death.
- **Always use two hands when operating the extended-reach hedge trimmer.** Hold the extended-reach hedge trimmer with both hands to avoid loss of control.
- **Always use head protection when operating the extended-reach hedge trimmer overhead.** Falling debris can result in serious personal injury.
- **Check the hedge for foreign objects, e.g. wire fences.**
- The hedge trimmer is intended to be used by the operator at ground level and not on ladders or any other unstable support; before operating the hedge trimmer, the user should make sure the locking device(s) of any moving elements (e.g. the extended shaft and pivoting element), if any, are in the locked position
- The intended use is described in this instruction manual. The use of any accessory or attachment or performance of any operation with this tool other than those recommended in this instruction manual can present a risk of personal injury and/or damage to property.



- Do not carry the tool with your hands on the front handle, switch or the trigger switch unless the battery has been removed.
- If you have not used a hedge trimmer before, preferably seek practical instruction by an experienced user in addition to studying this manual.
- Never touch the blades while the tool is running.
- Never attempt to force the blades to come to a standstill.
- Do not put the tool down until the blades have come to a complete standstill.
- Regularly check the blades for damage and wear. Do not use the tool when the blades are damaged.
- Take care to avoid hard objects (e.g. metal wire, railings) when trimming. Should you accidentally hit any such object, immediately switch the tool off and check for any damage.
- Should the tool start to vibrate abnormally, immediately switch it off and remove the battery then check for any damage.
- If the tool stalls, immediately switch it off. Remove the battery before attempting to remove any obstructions.
- After use, place the blade sheath supplied over the blades. Store the tool, making sure that the blade is not exposed.
- Always ensure that all guards are fitted when using the tool. Never attempt to use an incomplete tool or a tool with unauthorised modifications.
- Never allow children to use the tool.
- Be aware of falling debris when cutting the higher sides of a hedge.
- Always hold the tool with both hands and by the handles provided.

## Residual Risks

In spite of the application of the relevant safety regulations and the implementation of safety devices, certain residual risks cannot be avoided. These are:

- Impairment of hearing.
- Risk of personal injury due to flying particles.
- Risk of burns due to accessories becoming hot during operation.
- Risk of personal injury due to prolonged use.

### SAVE THESE INSTRUCTIONS

## Chargers

DeWALT chargers require no adjustment and are designed to be as easy as possible to operate.

## Electrical Safety

The electric motor has been designed for one voltage only. Always check that the battery pack voltage corresponds to the voltage on the rating plate. Also make sure that the voltage of your charger corresponds to that of your mains.



Your DeWALT charger is double insulated in accordance with IEC60335; therefore no earth wire is required.

If the supply cord is damaged, it must be replaced by a specially prepared cord available through the DeWALT service organisation.

## Using an Extension Cable

An extension cord should not be used unless absolutely necessary. Use an approved extension cable suitable for the power input of your charger (see **Technical Data**). The minimum conductor size is 1 mm<sup>2</sup>; the maximum length is 30 m.

When using a cable reel, always unwind the cable completely.

## Important Safety Instructions for All Battery Chargers

**SAVE THESE INSTRUCTIONS:** This manual contains important safety and operating instructions for compatible battery chargers (refer to **Technical Data**).

- Before using charger, read all instructions and cautionary markings on charger, battery pack, and product using battery pack.



**WARNING:** Shock hazard. Do not allow any liquid to get inside charger. Electric shock may result.



**WARNING:** We recommend the use of a residual current device with a residual current rating of 30mA or less.



**CAUTION:** Burn hazard. To reduce the risk of injury, charge only DeWALT rechargeable batteries. Other types of batteries may burst causing personal injury and damage.



**CAUTION:** Children should be supervised to ensure that they do not play with the appliance.

**NOTICE:** Under certain conditions, with the charger plugged into the power supply, the exposed charging contacts inside the charger can be shorted by foreign material. Foreign materials of a conductive nature such as, but not limited to, steel wool, aluminum foil or any buildup of metallic particles should be kept away from charger cavities. Always unplug the charger from the power supply when there is no battery pack in the cavity. Unplug charger before attempting to clean

- **DO NOT attempt to charge the battery pack with any chargers other than the ones in this manual.** The charger and battery pack are specifically designed to work together.
- **These chargers are not intended for any uses other than charging DeWALT rechargeable batteries.** Any other uses may result in risk of fire, electric shock or electrocution.
- **Do not expose charger to rain or snow.**
- **Pull by plug rather than cord when disconnecting charger.** This will reduce risk of damage to electric plug and cord.
- **Make sure that cord is located so that it will not be stepped on, tripped over, or otherwise subjected to damage or stress.**
- **Do not use an extension cord unless it is absolutely necessary.** Use of improper extension cord could result in risk of fire, electric shock, or electrocution.
- **Do not place any object on top of charger or place the charger on a soft surface that might block the**

**ventilation slots and result in excessive internal heat.**

Place the charger in a position away from any heat source. The charger is ventilated through slots in the top and the bottom of the housing.

- **Do not operate charger with damaged cord or plug—** have them replaced immediately.
- **Do not operate charger if it has received a sharp blow, been dropped, or otherwise damaged in any way.** Take it to an authorised service centre.
- **Do not disassemble charger; take it to an authorised service centre when service or repair is required.** Incorrect reassembly may result in a risk of electric shock, electrocution or fire.
- In case of damaged power supply cord the supply cord must be replaced immediately by the manufacturer, its service agent or similar qualified person to prevent any hazard.
- **Disconnect the charger from the outlet before attempting any cleaning. This will reduce the risk of electric shock.** Removing the battery pack will not reduce this risk.
- **NEVER** attempt to connect two chargers together.
- **The charger is designed to operate on standard 220-240V household electrical power. Do not attempt to use it on any other voltage.** This does not apply to the vehicular charger.










**Charging a Battery (Fig. B)**

1. Plug the charger into an appropriate outlet before inserting battery pack.
2. Insert the battery pack **6** into the charger, making sure the battery pack is fully seated in the charger. The red (charging) light will blink repeatedly indicating that the charging process has started.
3. The completion of charge will be indicated by the red light remaining ON continuously. The battery pack is fully charged and may be used at this time or left in the charger. To remove the battery pack from the charger, push the battery release button **7** on the battery pack.

**NOTE:** To ensure maximum performance and life of lithium-ion battery packs, charge the battery pack fully before first use.

**Charger Operation**

Refer to the indicators below for the charge status of the battery pack.

Charge Indicators	
 Charging	 
 Fully Charged	 
 Hot/Cold Pack Delay*	 

\*The red light will continue to blink, but a yellow indicator light will be illuminated during this operation. Once the battery pack has reached an appropriate temperature, the yellow light will turn off and the charger will resume the charging procedure.

The compatible charger(s) will not charge a faulty battery pack. The charger will indicate faulty battery by refusing to light.

**NOTE:** This could also mean a problem with a charger.

If the charger indicates a problem, take the charger and battery pack to be tested at an authorised service centre.

**Hot/Cold Pack Delay**

When the charger detects a battery pack that is too hot or too cold, it automatically starts a Hot/Cold Pack Delay, suspending charging until the battery pack has reached an appropriate temperature. The charger then automatically switches to the pack charging mode. This feature ensures maximum battery pack life.

A cold battery pack will charge at a slower rate than a warm battery pack. The battery pack will charge at that slower rate throughout the entire charging cycle and will not return to maximum charge rate even if the battery pack warms.

The DCB118 charger is equipped with an internal fan designed to cool the battery pack. The fan will turn on automatically when the battery pack needs to be cooled. Never operate the charger if the fan does not operate properly or if ventilation slots are blocked. Do not permit foreign objects to enter the interior of the charger.

**Electronic Protection System**

XR Li-Ion tools are designed with an Electronic Protection System that will protect the battery pack against overloading, overheating or deep discharge.

The tool will automatically turn off if the Electronic Protection System engages. If this occurs, place the lithium-ion battery pack on the charger until it is fully charged.

**Wall Mounting**

These chargers are designed to be wall mountable or to sit upright on a table or work surface. If wall mounting, locate the charger within reach of an electrical outlet, and away from a corner or other obstructions which may impede air flow. Use the back of the charger as a template for the location of the mounting screws on the wall. Mount the charger securely using drywall screws (purchased separately) at least 25.4 mm long with a screw head diameter of 7–9 mm, screwed into wood to an optimal depth leaving approximately 5.5 mm of the screw exposed. Align the slots on the back of the charger with the exposed screws and fully engage them in the slots.

**Charger Cleaning Instructions**

**⚠ WARNING: Shock hazard. Disconnect the charger from the AC outlet before cleaning.** Dirt and grease may be removed from the exterior of the charger using a cloth or soft non-metallic brush. Do not use water or any cleaning solutions. Never let any liquid get inside the tool; never immerse any part of the tool into a liquid.

**Battery Packs****Important Safety Instructions for All Battery Packs**

When ordering replacement battery packs, be sure to include catalogue number and voltage.

The battery pack is not fully charged out of the carton. Before using the battery pack and charger, read the safety instructions below. Then follow charging procedures outlined.

### READ ALL INSTRUCTIONS

- **Do not charge or use battery in explosive atmospheres, such as in the presence of flammable liquids, gases or dust.** Inserting or removing the battery from the charger may ignite the dust or fumes.
- **Never force battery pack into charger. Do not modify battery pack in any way to fit into a non-compatible charger as battery pack may rupture causing serious personal injury.**
- Charge the battery packs only in DEWALT chargers.
- **DO NOT splash or immerse in water or other liquids.**
- **Do not store or use the tool and battery pack in locations where the temperature may reach or exceed 40 °C (104 °F) (such as outside sheds or metal buildings in summer).**
- **Do not incinerate the battery pack even if it is severely damaged or is completely worn out.** The battery pack can explode in a fire. Toxic fumes and materials are created when lithium-ion battery packs are burned.
- **If battery contents come into contact with the skin, immediately wash area with mild soap and water.** If battery liquid gets into the eye, rinse water over the open eye for 15 minutes or until irritation ceases. If medical attention is needed, the battery electrolyte is composed of a mixture of liquid organic carbonates and lithium salts.
- **Contents of opened battery cells may cause respiratory irritation.** Provide fresh air. If symptoms persists, seek medical attention.



**WARNING:** Burn hazard. Battery liquid may be flammable if exposed to spark or flame.



**WARNING:** Never attempt to open the battery pack for any reason. If battery pack case is cracked or damaged, do not insert into charger. Do not crush, drop or damage battery pack. Do not use a battery pack or charger that has received a sharp blow, been dropped, run over or damaged in any way (i.e., pierced with a nail, hit with a hammer, stepped on). Electric shock or electrocution may result. Damaged battery packs should be returned to service centre for recycling.



**WARNING:** Fire hazard. Do not store or carry the battery pack so that metal objects can contact exposed battery terminals. For example, do not place the battery pack in aprons, pockets, tool boxes, product kit boxes, drawers, etc., with loose nails, screws, keys, etc.



**CAUTION:** When not in use, place tool on its side on a stable surface where it will not cause a tripping or falling hazard. Some tools with large battery packs will stand upright on the battery pack but may be easily knocked over.

### Transportation



**WARNING:** Fire hazard. Transporting batteries can possibly cause fire if the battery terminals inadvertently

come in contact with conductive materials. When transporting batteries, make sure that the battery terminals are protected and well insulated from materials that could contact them and cause a short circuit. **NOTE:** Lithium-ion batteries should not be put in checked baggage.

DEWALT batteries comply with all applicable shipping regulations as prescribed by industry and legal standards which include UN Recommendations on the Transport of Dangerous Goods; International Air Transport Association (IATA) Dangerous Goods Regulations, International Maritime Dangerous Goods (IMDG) Regulations, and the European Agreement Concerning The International Carriage of Dangerous Goods by Road (ADR). Lithium-ion cells and batteries have been tested to section 38.3 of the UN Recommendations on the Transport of Dangerous Goods Manual of Tests and Criteria.

In most instances, shipping a DEWALT battery pack will be excepted from being classified as a fully regulated Class 9 Hazardous Material. In general, only shipments containing a lithium-ion battery with an energy rating greater than 100 Watt Hours (Wh) will require being shipped as fully regulated Class 9. All lithium-ion batteries have the Watt Hour rating marked on the pack. Furthermore, due to regulation complexities, DEWALT does not recommend air shipping lithium-ion battery packs alone regardless of Watt Hour rating. Shipments of tools with batteries (combo kits) can be air shipped as excepted if the Watt Hour rating of the battery pack is no greater than 100 Whr. Regardless of whether a shipment is considered excepted or fully regulated, it is the shipper's responsibility to consult the latest regulations for packaging, labeling/marketing and documentation requirements.

The information provided in this section of the manual is provided in good faith and believed to be accurate at the time the document was created. However, no warranty, expressed or implied, is given. It is the buyer's responsibility to ensure that its activities comply with the applicable regulations.

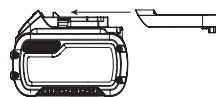
### Transporting the FLEXVOLT™ Battery

The DEWALT FLEXVOLT™ battery has two modes: **Use** and **Transport**.

**Use Mode:** When the FLEXVOLT™ battery stands alone or is in a DEWALT 18V(20V Max) product, it will operate as an 18V(20V Max) battery. When the FLEXVOLT™ battery is in a 54V(60V Max) or a 108V(120V Max) (two 54V(60V Max) batteries) product, it will operate as a 54V(60V Max) battery.

**Transport Mode:** When the cap is attached to the FLEXVOLT™ battery, the battery is in Transport mode. Keep the cap for shipping.

When in Transport mode, strings of cells are electrically disconnected within the pack resulting in 3 batteries with a lower Watt hour (Wh) rating as compared to 1 battery with a higher Watt hour rating. This increased quantity of 3 batteries with the lower Watt hour rating can exempt the pack from certain shipping regulations that are imposed upon the higher Watt hour batteries.



For example, the Transport Wh rating might indicate 3 x 36 Wh, meaning 3 batteries of 36 Wh each. The Use Wh rating might indicate 108 Wh (1 battery implied).

Example of Use and Transport Label Marking



USE (without transport cap). Example: Wh rating indicates 108 Wh (1 battery with 108 Wh).



TRANSPORT (with built-in transport cap). Example: Wh rating indicates 3 x 36 Wh (3 batteries of 36 Wh).

**Storage Recommendations**

1. The best storage place is one that is cool and dry away from direct sunlight and excess heat or cold. For optimum battery performance and life, store battery packs at room temperature when not in use.
2. For long storage, it is recommended to store a fully charged battery pack in a cool, dry place out of the charger for optimal results.

**NOTE:** Battery packs should not be stored completely depleted of charge. The battery pack will need to be recharged before use.

**Labels on Charger and Battery Pack**

In addition to the pictographs used in this manual, the labels on the charger and the battery pack may show the following pictographs:



Read instruction manual before use.



See **Technical Data** for charging time.



Do not probe with conductive objects.



Do not charge damaged battery packs.



Do not expose to water.



Have defective cords replaced immediately.



Charge only between 4 °C and 40 °C.



Only for indoor use.



Discard the battery pack with due care for the environment.

LI-ION



Charge DEWALT battery packs only with designated DEWALT chargers. Charging battery packs other than the designated DEWALT batteries with a DEWALT charger may make them burst or lead to other dangerous situations.



Do not incinerate the battery pack.

**Battery Type**

The DCMPH566 operates on a 18 (20V Max) volt battery pack. These battery packs may be used: DCB181, DCB182, DCB183, DCB183B, DCB184, DCB184B, DCB185, DCB187, DCB189, DCB204, DCB203, DCB205, DCB546, DCB547, DCB548, DCB606, DCB609, DCB612. Refer to **Technical Data** for more information.

**Package Contents**

The package contains:

- 1 Hedge Trimmer
- 1 Shoulder Strap
- 1 Li-Ion battery pack (C1, D1, L1, M1, P1, S1, T1, X1, Y1 models)
- 2 Li-Ion battery packs (C2, D2, L2, M2, P2, S2, T2, X2, Y2 models)
- 3 Li-Ion battery packs (C3, D3, L3, M3, P3, S3, T3, X3, Y3 models)
- 1 Instruction manual

**NOTE:** Battery packs, chargers and kitboxes are not included with N models. Battery packs and chargers are not included with NT models. B models include Bluetooth® battery packs.

**NOTE:** The Bluetooth® word mark and logos are registered trademarks owned by the Bluetooth®, SIG, Inc. and any use of such marks by DEWALT is under license. Other trademarks and trade names are those of their respective owners.

- Check for damage to the tool, parts or accessories which may have occurred during transport.
- Take the time to thoroughly read and understand this manual prior to operation.

**Markings on Tool**

The following pictographs are shown on the tool:



Read instruction: manual before use.



Wear ear protection.



Wear eye protection.



Wear head protection.



Wear protective gloves.



Wear slip-resistant footwear.



Beware of falling objects.



Do not expose the tool to rain or high humidity or leave outdoors while it is raining.



Switch the tool off. Before performing any maintenance on the tool, remove the battery from the tool.



Keep bystanders away.



Keep hands away from blade.



Electrocution hazard. Keep at least 10 m away from overhead lines.

### Date Code Position (Fig. A)

The date code **14**, which also includes the year of manufacture, is printed into the housing.

Example:

2019 XX XX

Year of Manufacture

### Description (Fig. A)



**WARNING:** Never modify the power tool or any part of it. Damage or personal injury could result.

- 1 On/Off trigger
- 2 Lock-off lever
- 3 Handle
- 4 Auxiliary handle
- 5 Motor housing
- 6 Battery pack
- 7 Battery release button
- 8 Threaded sleeve
- 9 Threaded pole
- 10 Strap mount
- 11 Trimmer blade
- 12 Pivoting trimmer head
- 13 Trimmer head lock-off button
- 14 Trimmer head handle

### Intended Use

Your DeWALT, DCMPH566 hedge trimmer has been designed for professional landscaping applications.

**DO NOT** use under wet conditions or in the presence of flammable liquids or gases.

This hedge trimmer is a professional power tool.

**DO NOT** let children come into contact with the tool. Supervision is required when inexperienced operators use this tool.

- **Young children and the infirm.** This appliance is not intended for use by young children or infirm persons without supervision.
- This product is not intended for use by persons (including children) suffering from diminished physical, sensory or mental abilities; lack of experience, knowledge or skills unless they are supervised by a person responsible for their safety. Children should never be left alone with this product.

### ASSEMBLY AND ADJUSTMENTS



**WARNING:** To reduce the risk of serious personal injury, turn tool off and disconnect battery pack before making any adjustments or removing/installing attachments or accessories. An accidental start-up can cause injury.



**WARNING:** Use only DeWALT battery packs and chargers.

### Inserting and Removing the Battery Pack from the Tool (Fig. B)

**NOTE:** Make sure your battery pack **6** is fully charged.

#### To Install the Battery Pack into the Tool Handle

1. Align the battery pack **6** with the rails inside the tool's handle (Fig. B).
2. Slide it into the handle until the battery pack is firmly seated in the tool and ensure that you hear the lock snap into place.

#### To Remove the Battery Pack from the Tool

1. Press the release button **7** and firmly pull the battery pack out of the tool handle.
2. Insert battery pack into the charger as described in the charger section of this manual.

### Fuel Gauge Battery Packs (Fig. B)

Some DeWALT battery packs include a fuel gauge which consists of three green LED lights that indicate the level of charge remaining in the battery pack.

To actuate the fuel gauge, press and hold the fuel gauge button **16**. A combination of the three green LED lights will illuminate designating the level of charge left. When the level of charge in the battery is below the usable limit, the fuel gauge will not illuminate and the battery will need to be recharged.

**NOTE:** The fuel gauge is only an indication of the charge left on the battery pack. It does not indicate tool functionality and is subject to variation based on product components, temperature and end-user application.

### Attaching and Adjusting the Shoulder Strap (Fig. D)


The pole hedge trimmer comes with an adjustable shoulder strap.

1. Snap the shoulder strap latch **17** onto the strap mount **10** located on the unit, just in front of the ON/OFF trigger as shown. Adjust the strap so it fits over your shoulder.

## Joining Trimmer Head Module to Handle Module (Fig. A, C)

Combining the handle module **15** to the trimmer head module **21** creates a pole trimmer that is approximately 2.1 m long.

1. Align the groove on the outside of the coupling end of the handle module **15** with the tongue on the inside of the coupling end of the trimmer head module **21**.
2. Slide the threaded sleeve **8** on the trimmer head module down as far as possible and rotate the sleeve clockwise until it stops and completely covers the threads.

 **WARNING:** Always check to make sure that the sleeve is completely threaded on and that the threads are no longer visible. Not threading the sleeve completely on could result in the modules becoming disconnected creating a hazardous condition. Periodically check the connections to insure that no threads are visible.

## Pivoting the Trimmer Head (Fig. E–G)

The trimmer head pivots 180° and can be locked into seven different positions within that range. To avoid being pinched, do not grab the blades. Wear gloves and hold unit as shown in Fig. G.


 **WARNING:** Before connecting the battery to the unit, be sure the trimmer head is locked into position.


### To pivot the trimmer head

1. With one hand firmly gripping the trimmer head, use the other hand to press the lock off button **13** and rotate the trimmer head handle **14** to pivot the trimmer head.
2. Lock the trimmer head into one of the seven operating positions as shown in Fig. F. To lock the trimmer head into place, release your grip on the trimmer head handle **14**. Check to make sure that trimmer head is locked into position by trying to move the motor housing. If it is not locked, rotate it to the nearest lock position.


## OPERATION

### Instructions for Use

 **WARNING:** Always observe the safety instructions and applicable regulations.

 **WARNING:** To reduce the risk of serious personal injury, turn tool off and disconnect battery pack before making any adjustments or removing/installing attachments or accessories. An accidental start-up can cause injury.


### Proper Hand Position (Fig. G)


 **WARNING:** To reduce the risk of serious personal injury, ALWAYS use proper hand position as shown.

 **WARNING:** To reduce the risk of serious personal injury, ALWAYS hold securely in anticipation of a sudden reaction.

Proper hand position requires one hand on the main handle **3** and one hand on the auxiliary handle **4**.

### Instructions for Use

 **WARNING:** Always observe the safety instructions and applicable regulations.


 **WARNING:** To reduce the risk of serious personal injury, turn tool off and disconnect battery pack before making any adjustments or removing/installing attachments or accessories. An accidental start-up can cause injury.

## Switching Pole Hedge Trimmer On and Off (Fig. A)


Ensure the trimmer head is locked into one of the seven operating positions. Refer **To Pivoting the Trimmer Head** section.

To turn the unit ON, squeeze the lock-off lever **2** and then the On/Off trigger **1**.

To turn the unit OFF, release the On/Off trigger and the lock-off lever.

 **WARNING:** Never attempt to lock the trigger in the ON position.

## Before Operating Pole Hedge Trimmer

 **WARNING:** The unit has not been designed to provide protection from electric shock in the event of contact with overhead electric lines. Consult local regulations for safe distances from overhead electric power lines and ensure that the operating position is safe and secure before operating the extended reach hedge trimmer.

- For safe operation, read and understand all instructions before using the pole hedge trimmer. Follow all safety instructions. Failure to follow all safety instructions listed below, can result in serious personal injury.
- Watch what you are doing. Use common sense. Do not operate pole hedge trimmer when you are tired.
- Only well-instructed adults should operate pole hedge trimmer. Never allow children to operate.
- Do not use unit for any job except that for which it is intended.
- Do not allow children or untrained individuals to use this unit.
- Always use an approved hard hat when operating the pole hedge trimmer overhead. Falling debris can result in serious injury.
- Wear the following safety gear when operating pole hedge trimmer:
  - head protection
  - heavy-duty gloves
  - substantial footwear
  - safety glasses, goggles or face screen
  - face or dust mask (if working in dusty areas)
- Do not wear loose fitting clothing, or jewelry of any kind that could get caught in the moving blades or parts of the pole hedge trimmer.

- Secure long hair so it is above shoulder level to prevent entanglement in any moving parts.

## While Operating Pole Hedge Trimmer

- Stay alert. Use common sense while operating the unit.
- Keep work area clean. Cluttered areas invite injuries.
- Keep children, animals and bystanders at a safe distance away from unit. Only the user should be in the work area.
- Grip unit securely, one hand on the trigger handle, the other hand on the pole handle.
- Keep finger off trigger until ready to use.
- Before starting unit, make sure blades are not touching anything.
- Keep all parts of body away from blades when Pole Hedge Trimmer is running.
- Carry unit from one place to another
  - with battery removed
  - by holding pole at balance point
  - with blade cover in place
- Do not operate in poor lighting.
- During operation, rest periodically and change working positions to reduce fatigue.
- Keep firm footing and balance. Do not overreach. Overreaching can result in loss of balance or exposure to sharp surfaces.
- Do not, under any circumstance, use any attachment or accessory on this product, which was not provided with the product, or identified as appropriate for use with this product in this Instruction Manual.

## Do Not Operate Pole Hedge Trimmer

- while under the influence of alcohol, medication, or drugs
- in rain or in damp or wet areas
- where highly flammable liquids or gases are present
- if unit is damaged, adjusted wrong, or not fully and securely assembled
- if trigger does not turn unit on and off. Blades must stop moving when you release trigger. Have faulty switch replaced by an authorised service centre. See **Repairs**.
- while in a hurry
- while in tree or on a ladder
- while on aerial booms, buckets or platforms
- during high wind or storming weather

## Trimming Instructions (Fig. A, H–L)



**DANGER: KEEP HANDS AWAY FROM BLADES.**



**WARNING: To guard against injury, observe the following:**

- READ INSTRUCTION MANUAL BEFORE USING. SAVE INSTRUCTION MANUAL.
- Check the hedge for foreign objects such as wires or fences before each use.
- KEEP HANDS ON HANDLES. DON'T OVERREACH.

- DO NOT USE UNDER WET CONDITIONS.



**CAUTION: BLADE MAY COAST AFTER TURN OFF.**

**NOTE:** Jamming the blade on large branches can cause damage.

**WORKING POSITIONS (Fig. H, I)** – Maintain proper footing and balance and do not overreach. Wear safety goggles, non-skid footwear when trimming. Hold the unit firmly in both hands and turn the unit on. Always hold the trimmer as shown in Fig. H and Fig. I, with one hand on the switch handle **3** and one hand on the auxiliary handle **4**. Never hold the unit by the trimmer head **12**.

**TRIMMING NEW GROWTH (Fig. J)** – Using a wide, sweeping motion, feeding the blade teeth through the twigs, is most effective. A slight downward tilt of the blade in the direction of motion gives the best cutting.

**LEVEL HEDGES (Fig. K)** – To obtain exceptionally level hedges a piece of string can be stretched along the length of the hedge as a guide.

**SIDE TRIMMING HEDGES (Fig. L)** – Orient the trimmer as shown and begin at the bottom and sweep up.

### Guidelines for trimming (UK & Ireland)

- Trim hedges and shrubs with seasonal leaves (new leaves every year) in June and October.
- Trim evergreens in April and August.
- Trim conifers and other fast growing shrubs every six weeks from May until October.

### Guidelines for trimming (Australia & New Zealand)

- Trim hedges and shrubs with seasonal leaves (new leaves every year) in December and March.
- Trim evergreens in September and February.
- Trim conifers and other fast growing shrubs every six weeks from October until March.

## MAINTENANCE

Your power tool has been designed to operate over a long period of time with a minimum of maintenance. Continuous satisfactory operation depends upon proper tool care and regular cleaning.



**WARNING:** To reduce the risk of serious personal injury, turn tool off and disconnect battery pack before making any adjustments or removing/installing attachments or accessories. An accidental start-up can cause injury.

The charger and battery pack are not serviceable.



### Lubrication

Your power tool requires no additional lubrication.

### Lubrication (Fig. A)

#### Blades

1. After use, carefully clean the blade **11** with a resin solvent.

2. After cleaning, apply a light film of lubrication to the exposed blade.
3. Turn the trimmer vertical with the blades toward the ground and run the trimmer for a few seconds to fully disperse the lubrication.

### Maintaining Blade (Fig. M)

The cutting blades are made from high quality, hardened steel and with normal usage, they will not require resharping. However, if you accidentally hit a wire fence, stones, glass, or other hard objects as shown in Fig. M you may put a nick in the blade. There is no need to remove this nick as long as it does not interfere with the movement of the blade. If it does interfere, remove the battery and use a fine toothed file or sharpening stone to remove the nick. If you drop the trimmer, carefully inspect it for damage. If the blade is bent, housing cracked, handles broken or if you see any other condition that may affect the trimmer's operation contact your local DEWALT authorised service centre for repairs before putting it back into use.

Fertilizers and other garden chemicals contain agents which greatly accelerate the corrosion of metals. Do not store the unit on or adjacent to fertilizers or chemicals.

With the battery removed, use only mild soap and a damp cloth to clean the unit. Never let any liquid get inside the unit; never immerse any part of the unit into a liquid. Prevent the blades from rusting by applying a film of light machine oil after cleaning.

### Blade Sharpening (Fig. N)



**CAUTION:** Keep blade sharp for best performance. A dull blade does not cut cleanly.



**CAUTION:** When sharpening blade, ensure that battery is removed.



**CAUTION: REPLACE BENT OR DAMAGED BLADE IMMEDIATELY**

It is recommended that sharpening of blades be performed by a DEWALT factory service centre. However, blade edges may be sharpened by using a fine tooth file **18**.

1. Run the trimmer until cutting blades **19** are offset.
2. Be sure the lock-off lever is engaged, the blade has stopped, and the battery has been removed before sharpening blade.
3. Wear proper eye protection and gloves, and be careful not to cut yourself.
4. Carefully file the cutting edges of the blade with a fine tooth file. File toward the cutting edge **20** at the original cutting angle (38 degrees from horizontal). File only the straight cutting edges of the blades. Do not file where the cutting edge curves into the centre of the blade.
5. Flip the trimmer over to sharpen the bottom blade.
6. Repeat steps to sharpen the opposite side of each blade.



### Cleaning



**WARNING:** Blow dirt and dust out of the main housing with dry air as often as dirt is seen collecting in and around

the air vents. Wear approved eye protection and approved dust mask when performing this procedure.



**WARNING:** Never use solvents or other harsh chemicals for cleaning the non-metallic parts of the tool. These chemicals may weaken the materials used in these parts. Use a cloth dampened only with water and mild soap. Never let any liquid get inside the tool; never immerse any part of the tool into a liquid.

### Optional Accessories



**WARNING:** Since accessories, other than those offered by DEWALT, have not been tested with this product, use of such accessories with this tool could be hazardous. To reduce the risk of injury, only DEWALT recommended accessories should be used with this product.

Consult your dealer for further information on the appropriate accessories.

### Protecting the Environment



Separate collection. Products and batteries marked with this symbol must not be disposed of with normal household waste.



Products and batteries contain materials that can be recovered or recycled reducing the demand for raw materials. Please recycle electrical products and batteries according to local provisions. Further information is available at [www.2helpU.com](http://www.2helpU.com).

### Rechargeable Battery Pack

This long life battery pack must be recharged when it fails to produce sufficient power on jobs which were easily done before. At the end of its technical life, discard it with due care for our environment:

- Run the battery pack down completely, then remove it from the tool.
- Li-Ion cells are recyclable. Take them to your dealer or a local recycling station. The collected battery packs will be recycled or disposed of properly.

### After Service and Repair

DEWALT service centers are staffed with trained personnel to provide customers with efficient and reliable product service. We do not take any responsibility when you have repaired in unauthorized service center. You can refer to the leaflet of CONTACT CENTER LOCATOR in product package and contact us through hotline, website or social media to find the nearest DEWALT service center around you.



# 충전 장대형 전정기

## DCMPH566

### 축하합니다!

DeWALT 공구를 선택해 주셔서 감사합니다. DeWALT는 오랜 경험을 토대로 한 제품 개발 및 혁신을 통해 전문 사용자들이 가장 인정하는 기업으로 자리잡아왔습니다

### 기술 데이터

		DCMPH566
전압	$V_{DC}$	18(20 Max)
배터리 유형		Li-Ion
SPM		2800
무게(배터리 팩 제외)	kg	3,6
진동 방출 값 $a_{hv}$	$m/s^2$	2,5
불확실성 K =	$m/s^2$	1,5

**경고:** 제시 된 진동 및 / 또는 소음 방출 수준은 공구의 주요 응용 분야를 나타냅니다. 그러나 공구가 다른 용도, 다른 액세서리와 함께 사용되거나 제대로 관리되지 않으면 진동 및 / 또는 소음 방출이 다를 수 있습니다. 이것은 전체 작업 기간 동안 노출 수준을 크게 증가시킬 수 있습니다. 진동 및 / 또는 소음에 대한 노출 수준을 평가할 때는 공구가 꺼져 있거나 작동 중이지만 실제로는 작업을 수행하지 않는 시간도 고려해야 합니다. 이것은 전체 작업 기간 동안 노출 수준을 현저히 감소시킬 수 있습니다. 다음과 같은 진동 및 / 또는 소음의 영향으로부터 작업자를 보호하기 위한 추가 안전 조치를 식별합니다. 예를 들면: 공구 및 액세서리 유지관리, 손을 따뜻하게 유지(진동 관련), 작업 패턴 구성.



**경고:** 부상 위험을 줄이려면 사용 설명서를 읽으십시오.

### 정의: 안전 지침

다음 정의는 각 경고 문구의 심각도를 설명합니다. 사용 설명서를 읽고 다음 기호들에 유의하십시오.



**위험:** 절박한 위험 상태를 나타내며, 방지하지 않으면, 사망 또는 심각한 부상을 초래합니다.



**경고:** 잠재적 위험 상태를 나타내며, 방지하지 않으면 사망 또는 심각한 부상을 초래할 수 있습니다.



**주의:** 잠재적으로 위험한 상태를 나타내며, 방지하지 않으면 경미하거나 가벼운 부상을 초래할 수 있습니다.

**참고:** 신체 부상을 초래하지 않는 행위를 나타내며 방지하지 않으면 재산상의 손해가 발생할 수 있습니다.



감전 위험을 나타냅니다.



화재 위험을 나타냅니다.

배터리				충전기/충전 시간 (분)							
카탈로그 번호	$V_{DC}$	Ah	중량(kg)	DCB104	DCB107	DCB112	DCB113	DCB115	DCB118	DCB132	DCB119
DCB546/DCB606	18/54 (20/60 Max)	6.0/2.0	1.05	60	270	170	140	90	60	90	X
DCB547/DCB609	18/54 (20/60 Max)	9.0/3.0	1.46	75*	420	270	220	135*	75*	135*	X
DCB548/DCB612	18/54 (20/60 Max)	12.0/4.0	1.44	120	540	350	300	180	120	180	X
DCB181	18 (20 Max)	1.5	0.35	22	70	45	35	22	22	22	45
DCB182/DCB204	18 (20 Max)	4.0	0.61	60/40**	185	120	100	60	60/40**	60	120
DCB183/DCB203	18 (20 Max)	2.0	0.40	30	90	60	50	30	30	30	60
DCB184/DCB205	18 (20 Max)	5.0	0.62	75/50**	240	150	120	75	75/50**	75	150
DCB185	18 (20 Max)	1.3	0.35	22	60	40	30	22	22	22	X
DCB187	18 (20 Max)	3.0	0.54	45	140	90	70	45	45	45	90
DCB189	18 (20 Max)	4.0	0.54	60	185	120	100	60	60	60	120

\*날짜 코드 201811475B 이상

\*\*날짜 코드 201536 날짜 코드

## 전동 공구에 관한 일반 안전 경고



**경고:** 이 전동 공구와 함께 제공되는 모든 안전 경고와 지시사항, 설명 및 사양을 읽으십시오. 아래 설명한 모든 지시 사항을 따르지 않으면 감전, 화재 및/또는 심각한 부상을 초래할 수 있습니다.

**항후 참고할 수 있도록 모든 경고 및 지시 사항을 보관해두십시오.**

경고에서 사용된 "전동 공구"라는 용어는 주 공급 전원에 의해 전기가 공급되는(유선) 전동 공구 또는 충전식(무선) 전동 공구를 의미합니다.

### 1) 작업장 안전

- 작업장을 항상 청결하고 밝게 유지하십시오.** 혼잡하거나 어두운 작업장에서는 사고가 발생하기 쉽습니다.
- 가연성 액체, 가스 또는 먼지 등이 있는 폭발성 대기에서 전동 공구를 사용하지 마십시오.** 전동 공구에서 먼지나 가스를 발화시킬 수 있는 불꽃이 튀 수 있습니다.
- 전동 공구로 작업하는 동안에는 어린이와 주변 사람들이 작업 영역에 가까이 들어오지 못하도록 하십시오.** 주변이 산만해져 통제력을 잃을 수 있습니다.

### 2) 전기 안전

- 동공구의 플러그는 콘센트와 형식이 일치해야 하며, 플러그를 어떤 형태로든 개조하지 마십시오.** 또한 접지된 전동공구에 다른 어댑터 플러그를 사용하지 마십시오. 개조되지 않은 플러그 및 형식이 일치하는 콘센트를 사용하면 감전 위험이 줄어듭니다.
- 파이프 관, 라디에이터, 렌치, 냉장고 등의 접지 표면에 물이 닿지 않도록 하십시오.** 몸에 닿을 경우 감전이 될 위험이 높아집니다.
- 전동 공구를 비 또는 습한 환경에 노출하지 않도록 주의하십시오.** 전동 공구에 물이 들어가면 감전 위험이 높아집니다.
- 코드를 함부로 다루지 마십시오.** 코드를 사용하여 전동공구를 운반하거나, 코드를 과도하게 잡아당겨서 플러그를 뽑지 않도록 주의하십시오. 전열코드가 열기 또는 오일과 접촉되는 것을 피하고, 날카로운 모서리 또는 기기의 기둥 부위에 닿지 않도록 주의 하십시오. 코드가 손상되거나 얽혀 있으면 감전 위험이 높아집니다.
- 전동 공구를 실외에서 사용할 때는 실외 사용에 적합한 연장 코드를 사용하십시오.** 실외 사용에 적합한 코드를 사용하면 감전 위험이 줄어듭니다.
- 전동공구를 습한 공간에서 사용할 경우, 반드시 누전 차단기를 사용하십시오.** 누전 차단기 (RCD) 를 사용하면 감전의 위험이 줄어듭니다. RCD 를 사용하면 감전 위험이 줄어듭니다.

### 3) 신체 안전 사항

- 전동 공구로 작업할 때는 방심하지 말고 작업에 주의하면서 상식에 따르십시오.** 피곤한 상태이거나 약물, 술, 치료제를 복용한 상태에서는 전동 공구를 사용하지 마십시오. 전동 공구를 사용하다 잠깐만 한 눈을 팔아도 심각한 부상을 당할 수 있습니다.
- 신체 보호 장비를 착용하십시오.** 항상 보안경을 착용하십시오. 적절한 상황에서 방진 마스크, 미끄럼 방지 안전화, 안전모 또는 청력 보호 기구 등의 보호 장비를 사용하면 신체 부상 위험이 줄어듭니다.

- 의도하지 않은 장비 가동 방지.** 전원 및/또는 배터리 팩에 연결한 상태로 공구를 선택 또는 운반할 때는 사전에 스위치가 꺼짐 위치에 있는지 반드시 확인하십시오. 스위치가 꺼짐 위치에 있는 상태에서 스위치가 손가락이 닿을 상태로 전동 공구를 운반하거나 전동 공구에 전원을 공급하면 사고가 발생합니다.
  - 전동 공구를 켜기 전에 모든 조정 기 또는 렌치를 제거하십시오.** 전동 공구의 회전 부품에 렌치나 키가 부착되어 있으면 부상을 당할 수 있습니다.
  - 무리하게 팔을 뻗지 마십시오.** 항상 올바른 자세로 서서 균형을 유지하십시오. 안정된 자세로 작업을 할 경우 전동 공구를 안전하게 사용할 수 있습니다.
  - 절한 의복을 착용하십시오.** 헐렁한 옷이나 장신구를 착용하지 마십시오. 머리카락과 옷이 움직이는 부품에 닿지 않도록 유의하십시오. 헐렁한 옷, 장신구 또는 긴 머리카락이 움직이는 부품에 걸 수 있습니다.
  - 먼지 배출 및 집진 시설 연결을 위한 장치가 제공된 경우, 이를 장치가 연결되어 적절히 사용되고 있는지 반드시 확인하십시오.** 집진 장치를 사용하면 먼지와 관련된 위험을 줄일 수 있습니다.
  - 장치를 자주 사용함으로써 생긴 익숙함으로 인해 현실에 안주하거나 공구 안전 원칙을 무시하지 않도록 하십시오.** 부주의한 작동은 순식간에 심각한 부상을 야기할 수 있습니다.
- ### 4) 전동 공구 사용 및 관리
- 전동 공구에 무리한 힘을 가하지 마십시오.** 해당 용도에 맞는 올바른 전동 공구를 사용하십시오. 올바른 전동 공구를 사용해야 설계된 속도로 작업을 더욱 안전하고 정확하게 수행할 수 있습니다.
  - 켜지지 않거나 꺼지지 않는 경우 전동 공구를 사용하지 마십시오.** 스위치로 제어되지 않는 전동 공구는 위험하므로 수리해야 합니다.
  - 전동 공구를 조정하거나 액세스리를 변경하거나 보관하기 전에 전동 공구에서 분리되는 경우 전원에서 플러그를 뽑거나 또는 배터리 팩을 분리하십시오.** 이러한 예방적 안전 조치를 따라야 전동 공구가 갑자기 작동할 위험이 줄어듭니다.
  - 사용하지 않는 전동 공구는 어린이의 손이 닿지 않는 곳에 보관하고, 전동 공구나 본 지시 사항에 익숙하지 않은 사람이 전동 공구를 절대 사용하지 못하게 하십시오.** 전동 공구는 훈련을 받지 않은 사용자가 다루면 위험합니다.
  - 전동 공구 및 액세스리 유지 보수.** 움직이는 부품의 잘못된 정렬이나 바인딩, 부품 파손 및 기타 전동 공구의 작동에 영향을 미칠 수 있는 기타 모든 상태를 확인하십시오. 손상된 부분이 있는 경우 사용하기 전에 전동 공구를 수리하십시오. 많은 사고는 전동 공구를 제대로 유지 보수하지 않아 발생합니다.
  - 공구를 깨끗한 상태로 유지하십시오.** 절삭 가장리를 예리하게 잘 유지하면 절삭기를 사용할 때 바인딩이 적고 다루기가 용이합니다.
  - 작업 환경과 수행할 작업을 고려하여, 본 지시 사항에 따라 전동 공구, 액세스리 및 톨 비트 등을 사용하십시오.** 본 사용 설명서의 내용과 다른 용도로 전동 공구를 사용하면 위험한 상황이 발생할 수 있습니다.

- h) **핸들과 잡는 표면은 건조하고 깨끗한 상태를 유지하고 오일/기름이 묻지 않도록 하십시오.** 미끄러운 핸들과 잡는 면은 예기치 못한 상황에서 안전한 취급과 공구 관리를 보장하지 않습니다.

## 5) 배터리 공구 사용 및 주의 사항

- a) **다시 충전할 때는 제조업체에서 지정한 충전기만 사용하십시오.** 하나의 배터리 팩 유형에 적합한 충전기를 다른 배터리 팩과 함께 사용할 경우 화재의 위험이 있습니다.
- b) **절단 공구를 사용할 때는 구체적으로 지정되어 있는 배터리 팩만 사용하십시오.** 다른 배터리 팩을 사용하면 부상을 입거나 화재의 위험이 있습니다.
- c) **배터리 팩을 사용하지 않을 때에는 클립, 동전, 키, 못, 나사 등의 금속 물체나, 단자 간에 연결할 수 있는 작은 금속 물체가 닿지 않도록 멀리 두십시오.** 배터리 단자가 단락되면 화상을 입거나 화재의 위험이 있습니다.
- d) **배터리를 과다 사용하면 액체가 배터리에서 흘러 나올 수 있으므로, 접촉을 피하십시오.** 실수로 접촉한 경우에는 물로 씻으십시오. 액체가 눈에 들어간 경우 치료를 받으십시오. 배터리에서 나온 액체는 통증을 유발하거나 화상을 입힐 수 있습니다.
- e) **손상되거나 변경된 배터리 팩 또는 공구를 사용하지 마십시오.** 손상되거나 개조된 배터리는 예측할 수 없는 작용을 보여, 화재, 폭발 또는 부상 위험을 야기할 수 있습니다.
- f) **배터리 팩 또는 공구를 불이나 과도한 온도도 노출하지 마십시오.** 불 또는 130 °C 이상의 온도도 노출되면 폭발할 수 있습니다.
- g) **모든 충전 지침을 따르고 배터리 팩 또는 공구를 설명서에 지정된 범위 밖의 온도에서 충전하지 마십시오.** 적절하지 않게 충전하거나 지정된 범위 밖의 온도에서 충전하면 배터리가 손상되어 화재 위험이 증가될 수 있습니다.

## 6) 정비

- a) **자격을 갖춘 기술자가 동일 교체 부품을 사용하여 정비 작업을 수행해야 합니다.** 그래야 전동 공구의 안전이 보장됩니다.
- b) **손상된 배터리 팩을 정비하지 마십시오.** 배터리 팩은 제조업체 또는 공인 서비스 공급업체를 통해서만 점검을 받아야 합니다.

## 충전 전정기에 대한 추가 안전 지침



**경고:** 모터가 꺼진 후에도 절단 구성 요소는 계속 움직입니다.

- **신체의 모든 부분을 칼날에서 멀리하십시오.** 날이 움직일 때 절단 된 재료를 제거하거나 절단 할 재료를 잡지 마십시오. 블레이드는 스위치를 끈 후에도 계속 움직입니다. 공구를 작동하는 동안 잠시 부주의하게 되면 심각한 부상을 입을 수 있습니다.
- **절단 날이 멈춘 상태에서 손잡이로 공구를 이동하십시오.** 공구를 운반하거나 보관할 때는 항상 절단 장치 커버를 장착하십시오. 공구를 올바르게 취급하면 커터 날로 인한 부상을 줄일 수 있습니다.
- **공구를 운반하거나 보관할 때는 항상 블레이드 커버를 장착하십시오.** 공구를 올바르게 취급하면 날로 인한 부상 위험을 줄일 수 있습니다.
- **걸린 공작물을 제거하거나 장치를 수리할 때 모든 전원 스위치가 꺼져 있고 배터리 팩을 제거하거나 분리했는지 확인하십시오.** 걸린 공작물을 제거하거나 수리하는 동안 공구를 예기치 않게 작동하면 심각한 부상을 입을 수 있습니다.
- **커터 날이 숨겨진 배선과 접촉할 수 있으므로 절연 된 그림 표면으로 만 전동 공구를 잡으십시오.** "전기가 통하는"전선과 접촉하는 커터 날은 전동 공구의 노출 된 금속 부품을 "통전"시켜 작업자에게 감전을 줄 수 있습니다.
- **모든 전원 코드와 케이블을 절단 영역에서 멀리하십시오.** 전원 코드 나 케이블은 헤지 나 덤불에 숨겨져 있어 우발적으로 날에 의해 질릴 수 있습니다.
- **약천후, 특히 낙뢰 위험이 있는 경우에는 공구를 사용하지 마십시오.** 이렇게 하면 번개에 맞을 위험이 줄어듭니다.
- **감전 위험을 줄이려면 전력선 근처에서는 장대형 전정기를 사용하지 마십시오.** 전선과 접촉하거나 근처에서 사용하면 심각한 부상이나 감전으로 사망 사고가 발생할 수 있습니다.
- **본 장대형 전정기를 작동할 때는 항상 두 손을 사용하십시오.** 통제력을 상실하지 않도록 양손으로 공구를 잡습니다.
- **본 장대형 전정기를 머리위로 사용할때는 항상 머리 보호 장치를 사용하십시오.** 파편이 떨어지면 심각한 부상을 입을 수 있습니다.
- **헤지에 와이어 울타리 등 이물질이 있는지 확인하십시오.**
- **본 제품은 작업자가 사다리 나 기타 불안정한 지지대가 아닌 지상에서 사용하도록 되어 있습니다.** 공구를 작동하기 전에 사용자는 움직이는 요소 (예 : 확장 샤프트 및 피벗 요소)의 잠금 장치가 있는 경우 잠금 위치에 있는지 확인해야 합니다.
- **배터리를 제거하지 않은 경우 손으로 전원 핸들, 스위치 또는 트리거 스위치로 공구를 운반하지 마십시오.**
- **본 제품을 처음 사용하는 것이라면 설명서를 숙지하는 것 외에도 숙련 된 사용자에게 실용적인 지침을 구하는 것이 좋습니다.**
- **공구가 작동하는 동안 날을 만지지 마십시오.**
- **날을 강제로 정지 시키려고 하지 마십시오.**
- **날이 완전히 멈출 때까지 공구를 내려 놓지 마십시오.**
- **블레이드의 손상 및 마모 여부를 정기적으로 확인하십시오.** 날이 손상된 경우 공구를 사용하지 마십시오.
- **다듬을 때 단단한 물체 (예 : 금속 와이어, 난간)를 피하십시오.** 실수로 그러한 물체를 치면 즉시 공구를 끄고 손상이 있는지 확인하십시오.
- **공구가 비정상적으로 진동하기 시작하면 즉시 전원을 끄고 배터리를 제거한 다음 손상 여부를 확인하십시오.**

- 공구가 멈추면 즉시 전원을 끄십시오. 장애물을 제거하기 전에 배터리를 제거하십시오.
- 사용 후에는 제공된 블레이드 덮개를 블레이드 위에 놓습니다. 날이 노출되지 않도록 도구를 보관하십시오.
- 공구를 사용할 때 항상 모든 가드가 장착되었는지 확인하십시오. 불완전한 공구 나 무단으로 수정 된 공구를 사용하지 마십시오.
- 아이들이 공구를 사용하지 못하도록 하십시오.
- 헤지의 높은 쪽을 절단할 때 떨어지는 조각에 주의하십시오.
- 항상 양손과 제공된 핸들로 공구를 잡으십시오.

단락될 수 있습니다. 철부스러기, 알루미늄 호일, 금속 입자 축적물 등의 전도성 이물질은 충전기 캐비트에 닿지 않게 해야 합니다. 캐비트 안에 배터리 팩이 없을 경우 항상 배터리 전원 공급기에서 충전기의 플러그를 뽑으십시오. 충전기를 청소할 때는 플러그를 뽑아야 합니다.

- **본 사용 설명서에 명시된 충전기 외의 다른 충전기로 배터리 팩을 충전하지 마십시오.** 본 충전기와 배터리 팩은 함께 사용하도록 특수 설계되었습니다.
- **이러한 충전기는 DeWALT 충전용 배터리 충전 이외의 용도로는 사용할 수 없습니다.** 다른 용도로 사용하면 화재, 감전 또는 감전사고의 위험이 있습니다.
- **충전기가 비나 눈을 맞지 않도록 하십시오.**
- **충전기를 분리할 경우 코드가 아니라 플러그를 뽑으십시오.** 그래야만 전기 플러그 및 코드 손상의 위험이 줄어듭니다.
- **코드가 밟히거나 걸리거나 기타 원인에 의해 손상되거나 압박을 받지 않도록 유의하십시오.**
- **불가피한 경우가 아니면 연장 코드를 사용하지 마십시오.** 연장 코드를 잘못 사용하면 화재, 감전 또는 감전사의 위험이 있습니다.
- **충전기 위에 물건을 올려놓거나 부드러운 표면에 충전기를 두면 환기 슬롯이 막혀 내부가 과열될 수 있습니다. 충전기는 열원에 가까이 두지 마십시오.** 충전기는 하우징의 상단과 하단에 있는 슬롯을 통해 환기됩니다.
- **코드가 플러그가 손상된 충전기를 작동시키지 마십시오 — 즉시 교체하십시오.**
- **심한 충격을 받았거나 떨어뜨렸거나 어떠한 식으로든 손상된 경우에는 충전기를 작동시키지 마십시오.** 공인 서비스 센터로 가져가십시오.
- **충전기를 분해하지 마십시오. 서비스나 수리가 필요한 경우에는 공인 서비스 센터로 가져가십시오.** 잘못 재조립하면 감전, 감전사 또는 화재의 위험이 있습니다.
- 전원 코드가 손상된 경우 사고 방지를 위해 제조업체, 서비스 대리점 또는 이에 준하는 유자격 수리 기술자를 통해 즉시 교체하십시오.
- **최소 하려면 먼저 충전기를 콘센트에서 분리하십시오. 그다음 감전 위험이 줄어듭니다.** 배터리 팩을 제거하는 것만으로 이러한 위험이 줄어들지는 않습니다.
- **절대로 충전기 두 개를 함께 연결하지 마십시오.**
- **충전기는 가정용 표준 전력 220-240V 으로 작동하도록 설계되어 있습니다. 다른 전압에서는 사용하지 마십시오.** 차량용 충전기는 제외됩니다.

## 기타 발생 가능한 위험

관련된 안전 규정을 준수하고 안전 장치를 사용한다고 해도 특정한 위험은 피할 수 없습니다. 이러한 위험은 다음과 같습니다.

- 정력 손상
- 파편 날림으로 인한 신체 부상 위험
- 작업 중 뜨거워지는 액세서리로 인한 화상 위험
- 장시간 사용으로 인한 신체 부상의 위험.

### 본 지침을 잘 보관해 두십시오.

## 충전기

DeWALT 충전기는 어떠한 조절 작업도 필요 없으며 최대한 작동하기 쉽게 설계되었습니다.

### 전기 안전

전기 모터는 한 가지 전압에만 맞추어 설계되었습니다. 배터리 팩 전압이 명판에 기재된 전압과 일치하는지 항상 확인하십시오. 또한 충전기의 전압이 주전원의 전압과도 일치하는지 확인하십시오.



DeWALT 충전기는 IEC60335 에 따라 이중 절연되어 있습니다. 따라서 접지선이 필요하지 않습니다.

전원 코드가 손상된 경우 DeWALT 서비스 기관에서 제공하는 특별히 준비된 코드로 교체해야 합니다.

### 연장 케이블 이용

연장 코드는 가끔씩 사용하지 마십시오. 사용 중인 전원공급기 정격전원에 맞는 승인된 연장 코드를 사용하십시오 (기술 데이터 참조). 최소 도체 크기는 1mm<sup>2</sup>. 최대 길이는 30m 입니다.

케이블 릴을 사용할 때는 항상 케이블을 완전히 푸십시오.

### 모든 배터리 충전기에 대한 중요한 안전 지침

**본 지침을 잘 보관해 두십시오.** 본 사용 설명서에는 호환이 되는 배터리 충전기에 대한 중요한 안전 및 작업 지침이 포함되어 있습니다 (기술 데이터 참조).

- 충전기를 사용하기 전에 충전기, 배터리 팩, 그리고 배터리 팩 관련 제품에 대한 지침과 주의 표시를 숙지하십시오



**경고:** 감전 위험. 충전기 내부에 액체가 들어가지 않도록 하십시오. 감전될 수 있습니다.



**경고:** 정격 전류 전류가 30mA 미만인 누전 차단기를 사용하는 것이 좋습니다.



**주의:** 화상 위험. 신체 부상의 위험을 줄이려면 DeWALT 충전용 배터리로만 충전하십시오. 다른 유형의 배터리는 폭발로 인한 신체 부상과 손상을 초래할 수 있습니다.



**주의:** 어린이가 본 제품을 가지고 놀지 못하도록 항상 주시해야 합니다.

**참고:** 특정 조건에서, 충전기가 전원 공급기에 연결되어 있으면 충전기 내부에 노출된 충전 접점이 이물질에 의해

## 배터리 충전 (그림 B)

1. 배터리 팩을 끼우기 전에 충전기를 적절한 콘센트에 꽂습니다.
2. 충전기에 배터리 팩 6 을 끼우고 배터리 팩이 완벽히 장착되었는지 확인하십시오. 빨간색(충전 중) 표시등이 반복해서 깜박이면서 충전 프로세스가 시작되었음을 알립니다.
3. 충전이 완료되면 빨간색 불이 계속 켜져 있습니다. 배터리 팩이 완전히 충전되면 바로 사용하거나 충전기에 그대로 둡니다. 배터리 팩을 충전기에서 분리하려면, 배터리 팩에 있는 배터리 탈착 버튼 7 을 누릅니다.

**참고:** 리튬이온 배터리 팩의 성능과 수명을 극대화하려면 처음 사용하기 전에 배터리를 완전히 충전하십시오.

## 충전기 작동

배터리 팩의 충전 상태는 아래 표시등을 참조하십시오.

## 충전 표시등



\*빨간색 표시등이 계속 깜박거리지만, 노란색 표시등은 이 작동동안 계속 켜져 있습니다. 배터리 팩이 적정 온도에 도달하면, 노란색 표시등이 꺼지고 충전기에서 충전 절차를 다시 시작합니다.

이 호환 충전기는 결함이 있는 배터리 팩은 충전하지 못합니다. 등이 켜지지 않도록 하여 배터리에 결함이 있음을 표시합니다.

**참고:** 이는 충전기 고장을 의미할 수도 있습니다.

충전기에 문제가 표시되는 경우 충전기와 배터리 팩을 공인 서비스 센터로 가져 가서 테스트를 받아 보십시오.

## 냉/온 팩 지연

충전기에서 너무 뜨겁거나 차가운 배터리 팩이 감지되면, 냉/온 팩 지연이 자동으로 시작되어 배터리 팩이 적절한 온도가 될 때까지 충전이 중단됩니다. 이 과정이 끝나면 충전기가 자동으로 팩 충전 모드로 전환됩니다. 이 기능은 배터리 팩 수명을 최대한으로 보장하기 위한 것입니다.

차가운 배터리 팩은 따뜻한 배터리 팩보다 더 느린 속도로 충전됩니다. 충전 사이클 전체에 걸쳐 배터리 팩은 이렇게 느린 속도로 충전되며 배터리 팩이 따뜻해지더라도 최대 충전 속도로 복원되지 않습니다.

DCB118충전기에는 배터리 팩을 식히기 위해 설계된 내장 팬이 장착되어 있습니다. 배터리 팩을 식히야 하면 팬이 자동으로 켜집니다. 팬이 제대로 작동하지 않거나 환기구가 막혀 있을 경우 충전기를 작동하지 마십시오. 이물질이 충전기 내부로 들어가지 않도록 하십시오.

## 전자 보호 시스템

XR 리튬이온 배터리 팩은 배터리에 과부하가 걸리거나 과열 또는 완전 방전되는 것을 방지하는 전자 보호 시스템으로 설계되었습니다. 이 공구는 전자 보호 시스템이 작동하면 자동으로 꺼집니다. 이러한 경우 리튬 이온 배터리가 완전히 충전될 때까지 충전기에 리튬 이온 배터리 팩을 넣으십시오.

## 벽 장착

이들 충전기는 테이블 또는 작업 표면에 똑바로 세우거나 벽에 장착할 수 있도록 설계되었습니다. 벽에 장착하는 경우, 충전기는 전기 콘센트에 닿을 수 있는 범위 내에 놓고, 공기 흐름이 방해될 수 있는 코너 또는 기타 장애물로부터 멀리 두십시오. 벽에서 장착 나사의 위치는 견본용 충전기의 뒤쪽을 사용하십시오. 나사 머리 직경이 7-9mm인 최소 25.4mm 길이의 석고보드 나사(별도 구매)를 사용해서 충전기를 단단히 장착하고, 노출된 나사의 약 5.5mm를 남겨 두고 최적의 길이로 목재에 고정합니다. 충전기 뒤쪽의 구멍을 노출되어 있는 나사에 맞추고 구멍에 완전히 맞물리도록 하십시오.

## 충전기 청소 지침

**경고: 감전 위험. 청소하려면 먼저 충전기를 AC 콘센트에서 분리하십시오.** 형광이나 부드러운 비금속성 브러시로 충전기 외관 부분에 묻은 먼지 및 기름을 제거할 수 있습니다. 물이나 세척제를 사용하지 마십시오. 공구 내부에 액체를 넣거나 공구 부품을 액체에 담그는 행동은 절대 금물입니다.

## 배터리 팩

## 모든 배터리 팩에 대한 중요한 안전 지침

배터리 팩을 교체하기 위해 주운할 때는 카탈로그 번호와 전압을 반드시 확인하고 표기해야 합니다.

배터리 팩은 포장박스에서 꺼낼 때 완전히 충전된 상태가 아닙니다. 배터리 팩과 충전기를 사용하기 전에 아래 안전 지침을 숙독하십시오. 그런 다음 설명된 충전 절차를 따르십시오.

## 모든 지시 사항을 읽으십시오

- **가연성 액체, 가스 또는 먼지 등 폭발 위험이 있는 환경에서 배터리를 충전하거나 사용하지 마십시오.** 배터리를 끼우거나 충전기에서 분리할 때 먼지나 가스에 불이 붙을 수 있습니다.
- **충전기에 배터리 팩을 끼울 때 과도한 힘을 주지 마십시오. 어떤 형태론도 호환되지 않는 충전기에 사용하기 위해 배터리 팩을 개조하지 마십시오. 배터리 팩이 파열되어 심각한 부상을 유발할 수 있습니다.**
- DeWALT 충전기에서만 배터리 팩을 충전하십시오.
- 물이나 기타 액체가 튀어 묻거나 액체에 빠지지 **않도록 하십시오.**
- 온도가 40°C (104°F)를 초과할 수 있는 장소(예 : 여름철 외부 창고 또는 금속 건물)에서 공구와 배터리 팩을 보관하거나 사용하지 마십시오.
- **배터리 팩이 심하게 손상되거나 완전히 낡았더라도 절대 소각하지 마십시오.** 배터리 팩은 불속에서 폭발할 수 있습니다. 리튬이온 배터리 팩은 연소되면서 독성 연기와 물질을 발생시킵니다.
- **배터리 내용물이 피부에 닿으면 즉시 중성 세척제로 해당 부위를 씻으십시오.** 배터리액이 눈에 들어갔을 경우, 15분 정도 또는 통증이 가실 때까지 눈을 뜨고 물로 씻어냅니다. 치료가 필요한 경우를 위해, 배터리 전해질은 액체 유기 탄산염과 리튬염의 혼합물로 구성되어 있음을 알아 두십시오.
- **열린 배터리 셀의 내용물은 호흡기 질환을 일으킬 수 있습니다.** 신선한 공기를 마시십시오. 증상이 계속되면 치료를 받으십시오.



**경고: 화재 위험.** 배터리액은 불꽃이나 화염에 노출되면 연소될 수 있습니다.



**경고: 어떤 이유론든 배터리 팩을 절대 분해하지 마십시오.** 배터리 팩 케이스가 깨지거나 손상되면 충전기에 넣지 마십시오. 배터리 팩을 문개거나 떨어뜨리거나 손상시키지 마십시오. 강한 충격을 받았거나, 떨어뜨렸거나, 차에 치였거나 기타의 원인으로 어떤 방식으로든 손상된 (물이 박히거나 망치로 맞았거나 밟힘) 배터리 팩이나 충전기는 사용하지 마십시오. 감전 또는 감전사의 위험이 있습니다. 손상된 배터리 팩은 재활용을 위해 서비스 센터에 반환해야 합니다.



**경고: 화재 위험.** 배터리 팩을 보관하거나 휴대할 때는 노출된 배터리 단자에 금속 물체가 닿지 않도록 하십시오. 예를 들어, 못, 나사, 키 등이 있는 앞치마, 주머니, 도구상자, 제품 키트 상자, 서랍 등에 배터리 팩을 두지 마십시오.



**주의: 사용하지 않는 공구는 걸려 넘어지거나 떨어질 위험이 없는 안정된 표면에 놓여 두십시오.** 배터리 팩이 큰 일부 공구들은 배터리 팩 위에 바로 서 있지만 쉽게 넘어질 수 있습니다

운반



**경고: 화재 위험.** 배터리를 운반할 때 배터리 단자가 실수로 전도성 물질과 닿을 경우 화재 위험의 가능성이 있습니다. 배터리를 운반할 경우에는 배터리 단자가 보호되어 있고, 물체에 닿을 경우 단락을 일으킬 수 있는 물체로부터 제대로 절연되어 있는지 확인하십시오.

**참고:** 리튬이온 배터리는 검사된 수화물에 넣어야 합니다.

DeWALT 배터리는 UN의 위험물 운송에 관한 권고(Recommendations on the Transport of Dangerous Goods, RTDG), 국제 항공 운송 협회(IATA)의 위험물 규정, 국제해상위험물(International Maritime Dangerous Goods, IMDG) 규정 및 국제도로위험물품운송에 관한 유럽조약(European Agreement Concerning The International Carriage of Dangerous Goods by Road (ADR))을 포함하여 산업 표준 및 법적 기준에 따라 해당되는 모든 운송 규정을 준수합니다. 리튬 이온 전지 및 배터리는 위험 화물 테스트 및 기준 설명서에 대한 UN 권고 38.3항에 따라 테스트되었습니다.

대개의 경우에, DeWALT 배터리 팩 해상 운송은 완전 규제를 받는 Class 9 위험 물질로 분류되는 것에서 제외됩니다. 일반적으로, 에너지효율 등급이 100 와트시 (Wh) 보다 큰 리튬 이온 배터리를 포함하는 수송품만 완전 규제를 받는 Class 9 에 따라 운송되어야 합니다. 모든 리튬 이온 배터리에는 팩에 와트시 등급이 표시되어 있습니다. 뿐만 아니라, 규정의 복잡성으로 인해 DeWALT는 와트 시 등급에 상관 없이 리튬 이온 배터리 팩을 단독으로 항공 운송하는 것을 권장하지 않습니다. 배터리 팩의 와트시 등급이 100 Whr 보다 크기 않을 경우는 제외되므로 배터리(코보 키트)가 포함된 공구의 수송품은 항공 운송할 수 있습니다.

수송품이 예외로 고려되지 또는 완전 규제를 받든지 여부와 상관 없이, 포장, 라벨링/표시 및 문서 요건에 관한 최신 규정을 찾아보는 것은 운송 회사의 책임입니다.

설명서의 본 섹션에서 제공하는 정보는 옳다고 믿고 제공되며 문서가 작성되었던 시기에는 정확한 것으로 간주됩니다. 단, 보증은 명시적이거나 함축적으로 제공되지 않습니다. 활동 시 해당 규정을 준수하는 것은 구매자의 책임입니다

**FLEXVOLT™ 배터리 운반**

DeWALT FLEXVOLT™ 배터리에는 두 개의 모드, 즉 **사용** 및 **운반**이 있습니다.

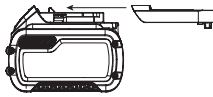
**사용 모드:** FLEXVOLT 배터리는 18V (20V Max) 제품에 체결 할 경우 18V (20V Max) 전압으로 작동되며, 54V (60V Max) 제품에 체결 할 경우 54V (60V Max) 전압으로 작동이 됩니다.

또는 108V (120V Max) 제품에 플렉스볼트 배터리 2 개를 체결 할 경우 108V (120V Max) 전압으로 작동이 됩니다.

**운반 모드:** 캡이 FLEXVOLT™ 배터리에 장착되어 있으면, 배터리는 운반 모드에 있는 것입니다. 운송 시 캡을 유지하십시오.

운반 모드에 있을 때, 더 높은 와트시 등급의 배터리 1개에 비해 더 낮은 와트시(Wh) 등급의 배터리 3 개가 되는 팩 내에서 일련의 셀은 전기 연결이 끊어져 있습니다. 와트시 등급이 더 낮은 이 증가된 배터리 3 개 수량은 더 높은 와트시 배터리에 부과되는 특정 수송 규정에서 팩을 면제시킬 수 있습니다.

예를 들어, 운반 Wh 정격은 사용 및 운반 라벨 표시의 예 3 x 36Wh를 나타내며, 각 36 Wh 배터리 3 개를



Use: 108 Wh  
Transport: 3x36 Wh

의미합니다. 사용 Wh 정격은 108 Wh를 나타낼 수 있습니다(1개 배터리 포함).

**보관 권장 사항**

- 1. 보관 장소로는 직사광선을 받지 않고 지나치게 덥거나 춥지 않은 시원하고 건조한 곳이 가장 좋습니다. 최적의 배터리 성능과 수명을 위해, 사용하지 않을 때에는 배터리 팩을 실온에서 보관하십시오.
- 2. 장기간 보관하는 경우, 최적의 결과를 위해 완전히 충전된 배터리 팩을 충전기에서 분리하여 서늘하고, 건조한 장소에 보관하는 것이 좋습니다.

**참고:** 배터리 팩은 완전히 방전된 상태로 보관해서는 안됩니다. 사용 전에 배터리 팩을 재충전해야 합니다.

**충전기 및 배터리 팩에 부착된 라벨**

본 설명서에 사용된 그림 외에도 충전기 및 배터리 팩에 부착된 라벨에는 다음과 같은 그림이 표시되어 있습니다.



사용 전에 사용 설명서의 내용을 숙지하십시오.



충전 시간은 **기술 데이터**를 참조하십시오.



전도성 있는 물체로 시험하지 마십시오.



손상된 배터리 팩을 충전하지 마십시오.



물에 닿지 않도록 하십시오.



손상된 코드는 즉시 교체하십시오.



4 °C ~ 40 °C 사이에서만 충전하십시오.



실내 전용.



환경 보호 차원에서 배터리 팩을 폐기하십시오.

LI-ION



지정된 DeWALT 충전기뿐만 DeWALT 배터리 팩을 충전하십시오. DeWALT 충전기에 지정된 DeWALT 배터리 이외의 배터리 팩을 충전하면 폭발하여 다른 위험한 상황으로 이어질 수 있습니다.



배터리 팩을 소각하지 마십시오.



사용(운반 캡 미포함). 예: Wh 정격은 108 Wh를 나타냅니다(108 Wh 배터리 1 개).



운반(내장 운반 캡 포함). 예: Wh 정격은 3 x 36 Wh (36 Wh 배터리 3 개)를 나타냅니다.

## 배터리 유형

DCMPH566 는 18 (20V Max) 배터리 팩에서 작동합니다.  
 이러한 배터리 팩은 다음을 사용할 수 있습니다: DCB181,  
 DCB182, DCB183, DCB183B, DCB184, DCB184B, DCB185,  
 DCB187, DCB189, DCB204, DCB203, DCB205, DCB546, DCB547,  
 DCB548, DCB606, DCB609, DCB612. 자세한 정보는 **기술 데이터를**  
 참조하십시오.

## 포장 내용물

포장에는 다음 내용이 들어 있습니다.

- 1 충전 전자기 본체
- 1 어케 끈
- 1 리튬 이온 배터리 팩 (C1, D1, L1, M1, P1, S1, T1, X1, Y1 모델)
- 2 리튬 이온 배터리 팩 (C2, D2, L2, M2, P2, S2, T2, X2, Y2 모델)
- 3 리튬 이온 배터리 팩 (C3, D3, L3, M3, P3, S3, T3, X3, Y3 모델)

### 1 사용 설명서

**참고:** 배터리 팩, 충전기 및 키트 박스는 N 모델에 포함되어 있지 않습니다. 배터리 팩과 충전기는 NT 모델에 포함되어 있지 않습니다. B 모델에는 Bluetooth® 배터리 팩이 포함됩니다.

**참고:** Bluetooth® 워드 마크 및 로고는 Bluetooth®, SIG, Inc. 소유의 등록 상표이며 DeWALT의 이러한 마크 사용은 라이선스하에 있습니다. 기타 상표 및 상호는 해당 소유자의 자산입니다.

- 운반 중에 발생할 수 있는 공구, 부품 또는 액세서리의 손상 여부를 확인하십시오.
- 작동 전에 시간을 내어 본 사용 설명서를 읽고 숙지하십시오.

## 공구에 표시된 마크

공구에는 다음과 같은 그림이 있습니다.



사용 전에 사용 설명서의 내용을 숙지하십시오.



귀 보호 장구를 착용하십시오.



보안경을 착용하십시오.



머리 보호대를 착용하십시오.



보호 장갑을 착용하십시오.



미끄럼 방지 신발을 착용하십시오.



떨어지는 물체에 주의하십시오.



공구를 비나 높은 습도에 노출하거나 비가 내리는 동안 실외에 두지 마십시오.



공구를 끄니다. 공구 유지 보수 작업을 수행하기 전에 공구에서 배터리를 제거하십시오.



구경꾼을 멀리하십시오.



칼날에서 손을 멀리하십시오



감전 위험. 가공선에서 최소 10m 거리를 유지하십시오.



## 날짜 코드 위치 (그림 A)

날짜 코드에 **14**, 제조년도가 포함되며 이 제조년도는 케이스에 인쇄되어 있습니다.

예:

2021 XX XX

제조년도

## 설명 (그림 A)



**경고:** 전동 공구 또는 전동 공구의 어떤 부품도 절대 개조하지 마십시오. 제품이 파손되거나 신체 부상을 당할 수도 있습니다.

- 1 On/Off 트리거
- 2 잠금 해제 레버
- 3 핸들
- 4 보조 핸들
- 5 모터 하우징
- 6 배터리 팩
- 7 배터리 해제 버튼
- 8 스퀘드 슬리브
- 9 스퀘드 플
- 10 스트랩 마운트
- 11 트리머 블레이드
- 12 회전 트리머 헤드
- 13 트리머 헤드 잠금 해제 버튼
- 14 트리머 헤드 핸들

## 용도

DeWALT, DCMPH566 장대형 전정기는 전문 조정 용도로 설계되었습니다.

절대로 습한 환경이나 가연성 액체 또는 가스가 있는 곳에서 사용하지 **마십시오**.

본 제품은 전문 전동 공구입니다.

어린이가 이 공구를 만지지 **않도록 하십시오**. 경험이 없는 작업자가 이 공구를 사용할 때는 감독자의 지도가 필요합니다.

- **어린이 및 노약자.** 본 제품은 어린이나 노약자가 사용하도록 설계되지 않았습니다. 이러한 사람이 사용할 때는 감독이 필요합니다.
- 본 제품은 안전 책임을 맡고 있는 사람이 감독을 하고 있지 않는 한 경험, 지식 또는 기술이 부족하고 신체적, 감각적 또는 정신적 능력이 미약한 사람(어린이 포함)이 사용하도록 고안된 것이 아닙니다. 이 제품과 함께 어린이만 혼자 두어서는 안됩니다.

## 조립 및 조정



**경고: 심각한 신체 부상의 위험을 줄이려면 공구를 정하거나 부착물 또는 액세서리를 제거/설치하기 전에 공구를 끄고 배터리 팩을 분리하십시오.** 공구가 갑자기 작동하여 부상을 당할 수 있습니다.



**경고: DeWALT 배 터리 팩과 충전기만 사용하십시오.**

## 배터리 팩 삽입 및 공구에서 배터리 팩 분리 (그림 B)

**참고:** 배터리 팩 **6** 이 완전히 충전되었는지 확인하십시오.

### 배터리 팩을 공구 핸들에 설치하려면

1. 공구 핸들 안쪽의 레일에 배터리 팩 **6** 을 맞춥니다 (그림 B).
2. 공구에 배터리 팩이 견고하게 장착될 때까지 핸들에 밀어 넣고 딸깍하고 잠기는 소리가 들리는지 확인하십시오.

### 공구에서 배터리 팩을 분리하려면

1. 탈착 버튼 **7** 을 누르고 배터리 팩을 공구 핸들에서 완전히 빼냅니다.
2. 본 사용 설명서의 충전기 섹션에 설명된 대로 배터리 팩을 충전기에 삽입합니다.

## 잔량표시계 배터리 팩 (그림 B)

일부 DeWALT 배터리 팩에는 배터리 팩의 남아 있는 충전 레벨을 표시하는 세 개의 녹색 LED 등으로 구성된 연료계가 포함되어 있습니다.

잔량표시계를 작동시키려면, 잔량표시계 버튼 **16** 을 누릅니다. 녹색 LED 표시등 3 개가 조합되어 켜짐으로써 충전 잔량 수준을 나타냅니다. 배터리 잔량이 사용 가능한 한계치 미만이면 배터리 잔량 표시계가 켜지지 않으므로 배터리를 재충전해야 합니다.

**참고:** 잔량표시계는 배터리 팩에 남아 있는 충전 레벨을 나타내는 것일 뿐입니다. 공구의 기능성을 나타내는 것이 아니며 제품 구성품, 온도 및 최종 사용자의 용도에 따라 변경될 수 있습니다.

## 어깨 끈 부착 및 조정 (그림 D)

본 제품은 조절 가능한 숄더 스트랩과 함께 제공됩니다.

1. 어깨 끈 래치 **17** 그림과 같이 ON / OFF 트리거 바로 앞에 있는 장치에 있는 스트랩 마운트 **10** 에 끼웁니다. 어깨에 맞도록 스트랩을 조정하십시오.

## 트리머 헤드 모듈을 핸들 모듈에 결합 (그림 A, C)

핸들 모듈 **15** 을 트리머 헤드 모듈 **21** 에 결합하면 약 2.1m 길이의 풀 트리머가 생성됩니다.

1. 핸들 모듈 **15** 의 연결 단부 외부에 있는 홈을 트리머 헤드 모듈 **21** 의 연결 단부 내부에 있는 턱과 정렬합니다.
2. 트리머 헤드 모듈의 나사산 슬리브 **8** 을 최대한 아래로 밀고 슬리브가 멈출 때까지 시계 방향으로 돌려 나사산을 완전히 덮습니다.



**경고: 항상 슬리브가 완전히 끼워져 있고 실이 더 이상 보이지 않는지 확인하십시오. 슬리브를 완전히 끼우지 않으면 모듈이 분리되어 위험한 상태가 될 수 있습니다. 연결을 주기적으로 확인하여 스레드가 보이지 않는지 확인하십시오.**

## 트리머 헤드 회전 (그림 E-G)

트리머 헤드는 180° 회전하며 해당 범위 내에서 7 개의 다른 위치에 고정할 수 있습니다. 끼이지 않도록 블레이드를 잡지 마십시오. 그림 G와 같이 잠금을 끼고 공구를 고정합니다.



**경고: 배터리를 장치에 연결하기 전에 트리머 헤드가 제자리에 고정되었는지 확인하십시오.**

### 트리머 헤드를 회전하려면

1. 한 손으로 트리머 헤드를 단단히 잡고 다른 손으로 잠금 해제 버튼 **13** 을 누르고 트리머 헤드 핸들 **14** 을 돌려 트리머 헤드를 회전시킵니다.
2. 그림 F와 같이 트리머 헤드를 7 개의 작동 위치 중 하나에 잠급니다. 트리머 헤드를 제자리에 고정하려면 트리머 헤드 핸들 **14** 의 그림을 쫓는다. 모터 하우징을 움직여 트리머 헤드가 제자리에 고정되었는지 확인하십시오. 잠겨 있지 않으면 가장 가까운 잠금 위치로 돌립니다.

## 조작

### 사용 지침



**경고: 항상 안전 지시 사항과 해당 규정을 준수하십시오.**



**경고: 심각한 신체 부상의 위험을 줄이려면 공구를 정하거나 부착물 또는 액세서리를 제거/설치하기 전에 공구를 끄고 배터리 팩을 분리하십시오.** 공구가 갑자기 동하여 부상을 당할 수 있습니다.

## 올바른 손의 위치 (그림 G)



**경고: 심각한 신체 부상의 위험을 줄이려면 항상 그림과 같이 올바르게 손을 위치하십시오.**



**경고: 심각한 신체 부상의 위험을 줄이려면 항상 급작스러운 반동을 예상하고 확실하게 잡으십시오.**

적절한 손 위치는 한 손은 주 핸들 **3** 에, 다른 한 손은 보조 핸들 **4** 에 있어야 합니다.

### 사용 지침



**경고: 항상 안전 지시 사항과 해당 규정을 준수하십시오.**



**경고: 심각한 신체 부상의 위험을 줄이려면 공구를 정하거나 부착물 또는 액세서리를 제거/설치하기 전에 공구를 끄고 배터리 팩을 분리하십시오.** 공구가 갑자기 동하여 부상을 당할 수 있습니다.

## 커기 및 끄기 (그림 A)

트리머 헤드가 7 개의 작동 위치 중 하나에 잠겨 있는지 확인합니다. **트리머 헤드 회전** 섹션을 참조하십시오.

장치를 꺼려면 잠금 해제 레버 **2** 를 누른 다음 On / Off 트리거 **1** 을 누르십시오.

장치를 끄려면 On / Off 트리거와 잠금 해제 레버를 놓습니다.



**경고: ON 위치에서 트리거를 잠그려고 하지 마십시오.**

## 작동하기 전 주의사항



**경고: 이 장치는 가공 전선과의 접촉시 감전으로부터 보호하도록 설계되지 않았습니다. 가공 전선과의 안전한 거리에 대해서는 현지 규정을 참조하고 본 제품을 작동하기 전에 작동 위치가 안전한지 확인하십시오.**



- 안전한 작동을 위해 본 제품을 사용하기 전에 모든 지침을 읽고 이해하십시오. 모든 안전 지침을 따르십시오. 아래 나열된 모든 안전 지침을 따르지 않으면 심각한 부상을 입을 수 있습니다.
- 항상 작업에 주목하십시오. 상식에 따르십시오. 피곤할 때는 공구를 작동하지 마십시오.
- 교육을 잘 받은 성인 만이 공구를 작동해야 합니다. 아이들이 작동하지 않도록 하십시오.
- 의도 된 용도 이외의 작업에 장치를 사용하지 마십시오.
- 어린이나 훈련받지 않은 사람이 이 장치를 사용하지 못하도록 하십시오.
- 머리 위에서 공구를 작동할 때는 항상 승인 된 안전모를 사용하십시오. 파편이 떨어지면 심각한 부상을 입을 수 있습니다.
- 본 제품을 작동시 다음 안전 장비를 착용하십시오 : 머리 보호 장치
  - 튼튼한 장갑
  - 바람직한 신발
  - 보안경, 고글 또는 안면 스크린
  - 얼굴 또는 먼지 마스크 (먼지가 많은 곳에서 작업하는 경우)
- 헐렁한 옷이나 움직이는 칼날이나 풀 헤지 트리머의 부품에 끼일 수 있는 종류의 보석류를 착용하지 마십시오.
- 긴 머리카락을 어깨 높이보다 높게 고정하여 움직이는 부품에 얽히지 않도록 합니다.

## 작동 중 주의사항

- 경계하십시오. 장치를 작동하는 동안 상식에 따르십시오.
- 작업장을 깨끗하게 유지하십시오. 어수선한 영역은 부상을 유발합니다.
- 어린이, 동물 및 구경꾼을 장치에서 안전한 거리에 두십시오. 사용자 만 작업 영역에 있어야 합니다.
- 한 손은 트리거 핸들에, 다른 손은 풀 핸들에 장치를 단단히 잡습니다.
- 작업할 준비가 될 때까지 트리거를 당기지 마십시오.
- 장치를 작동하기 전에 블레이드가 아무것도 건드리지 않도록 하십시오.
- 공구가 작동중일 때 신체의 모든 부분을 블레이드에서 멀리하십시오.
- 한 장소에서 다른 장소로 장치 이동
  - 배터리를 제거한 상태에서
  - 균형점에서 풀을 잡고
  - 제자리에 블레이드 커버
- 조명이 약한 곳에서 작업하지 마십시오.
- 작동 중에는 주기적으로 휴식을 취하고 작업 위치를 변경하여 피로를 줄이십시오.
- 확고한 발판과 균형을 유지하십시오. 지나치게 손을 뻗지 마십시오. 지나치게 손을 뻗으면 균형을 잃거나 날카로운 표면에 노출될 수 있습니다.
- 어떤 상황에서도 제품과 함께 제공되지 않았거나 사용 설명서에서 이 제품과 함께 사용하기에 적합하다고 확인 된 부착물이나 액세서리를 이 제품에 사용하지 마십시오.

## 다음과 같은 상황에서는 공구를 작동하지 마십시오

- 알코올, 약물 또는 약물의 영향을 받는 동안
- 비 또는 습하거나 습한 지역
- 인화성이 높은 액체 또는 가스가 있는 곳
- 장치가 손상되었거나 잘못 조정되었거나 완전히 단단히 조립되지 않은 경우
- 트리거가 장치를 켜고 끄지 않는 경우. 트리거를 놓으면 블레이드가 움직이지 않아야 합니다. 결함이 있는 스위치는 공인 서비스 센터에서 교체하십시오. 수리를 참조하십시오.
- 서두르는 경우
- 나무 나 사다리에서
- 공중 붐, 버킷 또는 플랫폼에서
- 강풍 또는 폭풍우가 치는 날씨

## 트리밍 지침 (그림 A, H-L)



**위험:** 칼날에서 손을 멀리하십시오



**경고:** 부상을 방지하려면 다음 사항을 준수하십시오.

- 사용하기 전에 사용 설명서를 읽으십시오. 사용 설명서를 저장하십시오.
- 매번 사용하기 전에 헤지에 철사 나 울타리와 같은 이물질이 있는지 확인하십시오.
- 핸들에 손을 대십시오. 무리하지 마십시오.
- 젖은 상태에서 사용하지 마십시오.



**주의:** 블레이드가 꺼진 후 코팅 될 수 있습니다.

**참고:** 큰 가지에 날이 걸리면 손상 될 수 있습니다.

**작업 위치 (그림 H, I)** - 적절한 발판과 균형을 유지하고 지나치게 손을 뻗지 마십시오. 트리밍시 안전 고글, 미끄럼 방지 신발을 착용하십시오. 기기를 양손으로 단단히 잡고 기기를 켭니다. 한 손은 스위치 핸들 **3** 에, 다른 한 손은 보조 핸들 **4** 에 놓고 항상 그림 H 및 그림 I에 표시된대로 트리머를 잡으십시오. 트리머 헤드 **12** 로 장치를 잡지 마십시오.

**새로운 성장 트리밍 (그림 J)** - 임의 이빨을 나뭇 가지 사이로 넓게 쓸어주는 동작을 사용하는 것이 가장 효과적입니다. 동작 방향으로 날을 약간 아래로 기울이면 최상의 절단이 가능합니다.

**레벨 헤지 (그림 K)** - 예외적으로 평평한 헤지를 얻기 위해 울타리 길이를 따라 줄을 가이드로 늘릴 수 있습니다.

**측면 트리밍 헤드 (그림 L)** - 그림과 같이 트리머의 방향을 정하고 바닥에서 시작하여 위로 쓸어 올리십시오.

## 트리밍 지침 (영국 및 아일랜드)

- 6 월과 10 월에 계절 잎 (매년 새 잎)으로 울타리와 관목을 다듬습니다.
- 4 월과 8 월에 상록수를 다듬습니다.
- 5 월부터 10 월까지 6 주마다 침엽수와 기타 빠르게 자라는 관목을 다듬습니다.

## 트리밍 지침 (호주 및 뉴질랜드)

- 12 월과 3 월에 계절 잎 (매년 새 잎)으로 헤지와 관목을 다듬습니다.
- 9 월과 2 월에 상록수를 다듬습니다.
- 10 월부터 3 월까지 6 주마다 침엽수 및 기타 빠르게 자라는 관목을 다듬습니다.

## 유지 보수

DeWALT 전동 공구는 최소한의 유지 보수로 장기간에 걸쳐 작업이 가능하도록 설계되어 있습니다. 만족스러운 연속 작동은 적절한 공구 관리와 정기적인 청소에 따라 그 성능이 달라질 수 있습니다.

**경고: 심각한 신체 부상의 위험을 줄이려면 공구를 정하거나 부품을 또는 액세서리를 제거/설치하기 전에 공구를 끄고 배터리 팩을 분리하십시오.** 공구가 갑자기 작동하여 부상을 당할 수 있습니다.

충전기 및 배터리 팩은 수리할 수 없습니다.



## 윤활방법

전동 공구는 별도의 윤활 작업이 필요하지 않습니다.

## 윤활방법 (그림 A)

### 블레이드

1. 사용 후에는 수지 용매로 블레이드 **11** 을 조심스럽게 청소하십시오.
2. 청소 후 노출 된 블레이드에 가벼운 윤활막을 바릅니다.
3. 블레이드가 지면을 향하도록 트리머를 수직으로 돌리고 트리머를 몇 초 동안 작동하여 윤활유를 완전히 분산시킵니다.

## 블레이드 유지 보수 (그림 M)

절단 날은 고품질의 경화 강철로 만들어졌으며 일반적인 사용시에는 다시 연마 할 필요가 없습니다. 그러나 우연히 그림 M과 같이 철조망, 돌, 유리 또는 기타 단단한 물체를 치면 칼날에 흠집이 생길 수 있습니다. 칼날의 움직임에 방해하지 않는 한 이 흠집을 제거 할 필요가 없습니다. 방해가 되는 경우 배터리를 제거하고 가는 톱니 모양의 줄이나 스톨을 사용하여 흠집을 제거하십시오. 트리머를 떨어 뜨린 경우 손상 여부를 주의 깊게 검사하십시오. 블레이드가 구부러 지거나 하우징에 금이 가거나 핸들이 부러 지거나 트리머 작동에 영향을 미칠 수 있는 기타 상태가 발견되면 다시 사용하기 전에 지역 DeWALT 공인 서비스 센터에 수리를 요청하십시오.

비료 및 기타 정원용 화학 물질에는 금속 부식을 크게 가속화하는 물질이 포함되어 있습니다. 장치를 비료 또는 화학 물질 위 또는 근처에 보관하지 마십시오.

배터리를 제거한 상태에서 중성 비누와 젖은 천으로 만 장치를 청소하십시오. 장치 내부에 액체가 들어 가지 않도록 하십시오. 장치의 어떤 부분도 액체에 담그지 마십시오. 청소 후 기계유를 도포하여 칼날의 부식을 방지합니다.

## 블레이드 날카롭게 하기 (그림 N)

- 경고:** 최상의 성능을 위해 블레이드를 날카롭게 유지하십시오. 무딘 날은 깔끔하게 절단되지 않습니다.
- 경고:** 블레이드 연마할 때 배터리가 제거되었는지 확인하십시오.
- 경고:** 구부러 지거나 손상된 블레이드를 즉시 교체하십시오.

블레이드 연마는 DeWALT 공장 서비스 센터에서 수행하는 것이 좋습니다. 그러나, 블레이드 가장자리는 가는 톱니 줄 **18** 을 사용하여 날카롭게 될 수 있다.

1. 절단 블레이드 **19** 가 오프셋 될 때까지 트리머를 작동합니다.
2. 블레이드를 연마하기 전에 잠금 해제 레버가 맞물려 있고, 날이 멈춘는지, 배터리가 제거되었는지 확인하십시오.
3. 적절한 보안경과 장갑을 착용하고 다치지 않도록 주의하십시오.

4. 가는 톱니 줄로 날의 절단 모서리를 조심스럽게 연마하십시오. 원래 절단 각도 (수평에서 38도)로 절단 날 **20** 쪽으로 줄을 굽습니다. 날의 직선 절단면 만 연마하십시오. 절단 블레이드를 날 중앙으로 휘어진 곳에 갈지 마십시오.
5. 트리머를 뒤집어 하단 날을 연마하십시오.
6. 단계를 반복하여 각 날의 반대쪽을 연마합니다.



## 청소

**경고:** 통풍구 속이나 주변에 먼지가 쌓여있는 것이 보이면 가능한 한 자주 건조한 공기를 이용하여 메인 하우징에서 먼지를 불어내십시오. 이 절차를 수행할 때에는 승인된 눈 보호 장구 및 승인된 방진 마스크를 착용하십시오.

**경고:** 공구의 비금속성 부분을 청소할 때는 용제 등의 강력한 화학약품을 절대 사용하지 마십시오. 그렇지 않으면 이러한 부분에 사용된 재료가 약해질 수 있습니다. 헹굼에 물과 순한 비누를 적셔 닦아주십시오. 공구 내부에 액체를 넣거나 공구 부품을 액체에 담그는 행동은 절대 금물입니다

## 선택 액세서리

**경고:** DeWALT에서 제공하지 않은 액세서리는 본 제품에서 테스트되지 않았으므로 본 제품에서 이러한 액세서리를 사용하면 위험할 수 있습니다. 신체 부상의 위험을 줄이려면 본 제품에 달맞은 액세서리만 사용해야 합니다.

해당 액세서리에 대한 자세한 정보는 판매 대리점으로 문의하십시오.

## 환경 보호



분리 수거. 이 기호가 표시된 제품과 배터리를 일반 가정용 쓰레기와 함께 처리하면 안됩니다.

제품과 배터리에는 재활용되거나 재사용되고 고철 자원에 대한 수요를 줄일 수 있는 자재가 포함되어 있습니다. 전기 제품과 배터리는 지역 규정에 따라 재활용하십시오. 자세한 내용은 [www.2helpU.com](http://www.2helpU.com) 에서 찾아볼 수 있습니다.

## 충전용 배터리 팩

이전에 쉽게 수행했던 작업에 대해 충분한 힘을 발휘하지 못하는 배터리 팩은 재충전해야 합니다. 배터리 수명이 다하면 환경 보호 차원에서 배터리 팩을 폐기하십시오.

- 배터리 팩을 완전히 사용하고 난 후 공구에서 분리하십시오.
- 리튬이온 전지는 재활용할 수 있습니다. 이 전지를 판매점이나 지역 재활용 센터로 가져가십시오. 수집된 배터리 팩은 재활용되거나 적절히 폐기됩니다

## 정비 및 수리

DeWALT 는 고객들에게 가장 효율적이고 신뢰할 수 있는 서비스를 제공하기 위하여 훈련된 직원들로 센터를 구성하고 있습니다.

사용자의 안전 및 제품의 신뢰성을 보장하기 위하여 제품의 정비, 유지 보수 및 수리는 반드시 공인된 서비스센터에서 수행해야 합니다. 자격이 없는 곳으로부터 받은 제품의 정비 및 수리는 사용자의 부상 위험 및 불이익을 초래할 수 있습니다. 가까운 DeWALT 서비스센터의 위치를 알아보려면, 제품과 함께 동봉된 전단을 통해 전화번호, 홈페이지 주소 및 기타 연락처 등을 확인할 수 있습니다.

<b>Belgique et Luxembourg België en Luxemburg</b>	DeWALT - Belgium BVBA Egide Walschaertsstraat 16 2800 Mechelen	Tel: NL 32 15 47 37 63 Tel: FR 32 15 47 37 64 Fax: 32 15 47 37 99	www.dewalt.be enduser.BE@SBDinc.com
<b>Danmark</b>	DeWALT (Stanley Black&Decker AS) Roskildevej 22 2620 Albertslund	Tel: 70 20 15 10 Fax: 70 22 49 10	www.dewalt.dk kundeservice.dk@sbdinc.com
<b>Deutschland</b>	DeWALT Richard Klingner Str. 11 65510 Idstein	Tel: 06126-21-0 Fax: 06126-21-2770	www.dewalt.de infodwge@sbdinc.com
<b>Ελλάδα</b>	DeWALT (Ελλάδα) A.E. ΕΔΡΑ - ΕΡΜΑΘΕΙΑ : Στραβωνος 7 & Α. Βουλιαγμένης, Γλυφάδα 166 74, Αθήνα SERVICE : Ημερος Τοπος 2 (Χάνι Αδών) – 193 00 Ασπρόπυργος	Τηλ: 00302108981616 Φαξ: 00302108983570	www.dewalt.gr Greece.Service@sbdinc.com
<b>España</b>	DeWALT Ibérica, S.C.A. Parc de Negocios "Mas Blau" Edificio Muntadas, c/Bergadá, 1, Of. A6 08820 El Prat de Llobregat (Barcelona)	Tel: 934 797 400 Fax: 934 797 419	www.dewalt.es respuesta.postventa@sbdinc.com
<b>France</b>	DeWALT (Stanley Black & Decker France SAS) 62 Chemin de la Bruyère CS 60105, 69574 DARDILLY Cedex	Tel: 04 72 20 39 20 Fax: 04 72 20 39 00	www.dewalt.fr scufi@sbdinc.com
<b>Schweiz Suisse Svizzera</b>	DeWALT In der Luberzen 42 8902 Urdorf	Tel: 044 - 755 60 70 Fax: 044 - 730 70 67	www.dewalt.ch service@rofaag.ch
<b>Ireland</b>	DeWALT Building 4500, Kinsale Road Cork Airport Business Park Cork, Ireland	Tel: 00353-2781800 Fax: 01278 1811	www.dewalt.ie Sales.Ireland@sbdinc.com
<b>Italia</b>	DeWALT via Energypark 6 20871 Vimercate (MB), IT	Tel: 800-014353 39 039-9590200 Fax: 39 039-9590311	www.dewalt.it
<b>Nederlands</b>	DeWALT Netherlands BVPostbus 83, 6120 AB BORN	Tel: 31 164 283 063 Fax: 31 164 283 200	www.dewalt.nl
<b>Norge</b>	DeWALT Postboks 4613 0405 Oslo, Norge	Tel: 45 25 13 00 Fax: 45 25 08 00	www.dewalt.no kundeservice.no@sbdinc.com
<b>Österreich</b>	DeWALT Werkzeug Vertriebsges m.b.H Oberlaaerstrasse 248, A-1230 Wien	Tel: 01 - 66116 - 0 Fax: 01 - 66116 - 614	www.dewalt.at service.austria@sbdinc.com
<b>Portugal</b>	DeWALT Ed. D Dinis, Quina da Fonte Rua dos Malhoes 2 2A 2º Esq. Oeiras e S. Juliao da Barra, paço de Arcos e Caxias 2770 071 Paço de Arcos	Tel: +351 214667500 Fax: +351214667580	www.dewalt.pt resposta.posventa@sbdinc.com
<b>Suomi</b>	DeWALT PL47 00521 Helsinki, Suomi	Puh: 010 400 4333 Fakst: 0800 411 340	www.dewalt.fi asiakaspalvelu.fi@sbdinc.com
<b>Sverige</b>	DeWALT BOX 94 43122 Mölndal Sverige	Tel: 031 68 61 60 Fax: 031 68 60 08	www.dewalt.se kundservice.se@sbdinc.com
<b>Türkiye</b>	Sanayi ve Ticaret Bakanlıği tebliğince kullanım ömrü 7 yıldır. Stanley Black & Decker Turkey Alet Üretim San. Tic. Ltd.Şti. AND Kozyatağı – İçerenköy Mah. Umut Sok. AND Ofis Sit. No: 10-12 / 82-83-84 Ataşehir/İstanbul, Türkiye	Tel: +90 216 665 2900 Faks: +90 216 665 2901	www.dewalt.com.tr info-tr@sbdlnc.com
<b>United Kingdom</b>	DeWALT, 270 Bath Road; Slough, Berks SL1 4DX	Tel: 01753-567055 Fax: 01753-572112	www.dewalt.co.uk emeaservice@sbdinc.com
<b>Australia</b>	DeWALT 810 Whitehorse Road Box Hill VIC 3128 Australia	Tel: Aust 1800 338 002 Tel: NZ 0800 339 258	www.dewalt.com.au www.dewalt.co.nz
<b>Middle East Africa</b>	DeWALT P.O. Box - 17164, Jebel Ali Free Zone (South), Dubai, UAE	Tel: 971 4 812 7400 Fax: 971 4 2822765	www.dewalt.ae Service.MEA@sbdinc.com