
DEWALT®

XR LI-ION

English

2

한국어

9

Fig. A
그림 A

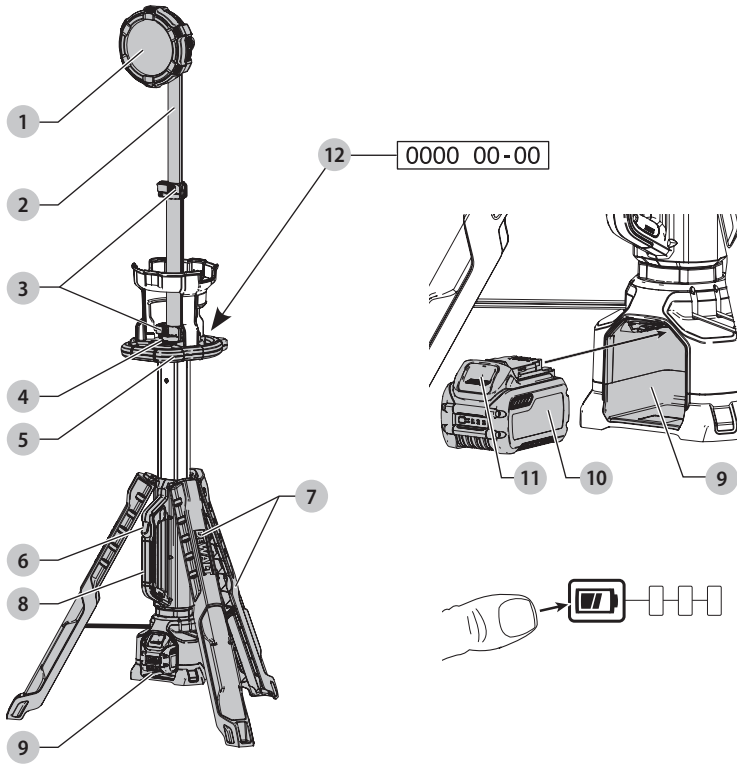


Fig. B
그림 B

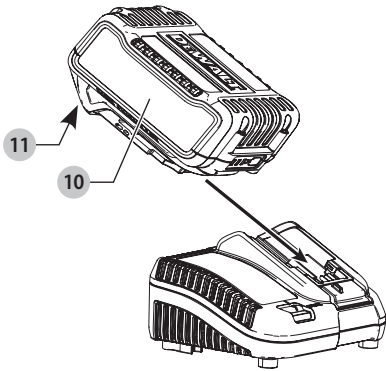


Fig. C
그림 C

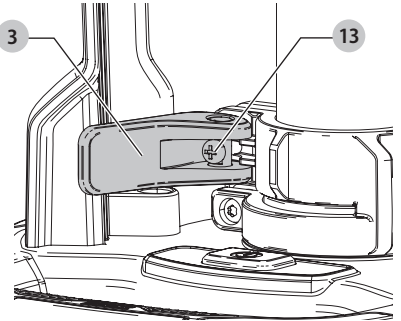
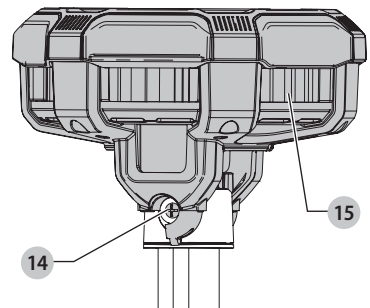


Fig. D
그림 D



20V MAX CORDLESS TRIPOD LIGHT

DCL079

Congratulations!

You have chosen a DEWALT tool. Years of experience, thorough product development and innovation make DEWALT one of the most reliable partners for professional power tool users.

Technical Data

		DCL079
Voltage	V _{DC}	18/20*
Battery type		Li-Ion
Weight (without battery pack)	kg	7.4

*Maximum initial battery voltage(measured without a workload) is 20 volts. Rated voltage is 18V.

Definitions: Safety Guidelines

The definitions below describe the level of severity for each signal word. Please read the manual and pay attention to these symbols.



DANGER: Indicates an imminently hazardous situation which, if not avoided, **will** result in **death or serious injury**.



WARNING: Indicates a potentially hazardous situation which, if not avoided, **could** result in **death or serious injury**.



CAUTION: Indicates a potentially hazardous situation which, if not avoided, **may** result in **minor or moderate injury**.

NOTICE: Indicates a practice **not related to personal injury** which, if not avoided, **may** result in **property damage**.



Denotes risk of electric shock.



Denotes risk of fire.

Important Safety Rules



WARNING! When using the tripod light, basic precautions should always be followed, including the following:

- Read all the instructions before using the tripod light.**
- To reduce the risk of injury, close supervision is necessary when a tripod light is used near children.**
- Do not operate any tripod light after it has received a sharp blow, malfunctions or is dropped or damaged in any manner.** Return tripod light to the nearest authorized service facility for examination, repair, or electrical or mechanical adjustment.
- To reduce the risk of electrical shock, do not put tripod light in water or other liquid.** Do not place or store tripod light where it can fall or be pulled into a tub or sink.
- Only use attachments recommended or sold by the manufacturer.**
- Do not use outdoors.**

- g) Risk of electric shock. Do not expose to rain.**
Store indoors.

Specific Safety Rules for Tripod Lights



WARNING: Fire hazard. Do not operate tripod light near flammable liquids or in gaseous or explosive atmospheres. Internal sparks may ignite fumes causing personal injury.

- Do not expose light to wet or damp areas. Use only in dry locations. Do not allow any liquid to get inside the tripod light.
- Do not submerge tripod light in any liquid.
- The tripod light is intended for commercial and household use.
- Before using battery and tripod light, read all instructions and cautionary markings on tripod light and battery pack.
- This appliance is not intended for use by persons (including children) with reduced physical, sensory or mental capabilities, or lack of experience and knowledge, unless they have been given supervision or instruction concerning use of the appliance by a person responsible for their safety.
- Store the tripod light indoors when not in use. Keep out of reach of children.
- DO NOT attempt to charge the battery pack with any chargers other than the ones in this manual. The tripod light and battery pack are specifically designed to work together.
- Place the tripod light away from any heat source.
- Do not disassemble tripod light. Take it to an authorised service centre when service or repair is required. Incorrect reassembly may result in a risk of electric shock, electrocution or fire.
- The DCL079 tripod light is designed to operate on fully charged DEWALT 18V (20V Max) or FLEXVOLT™ lithium-ion battery packs. Do not use any other voltage.
- While transporting, be sure the light head is collapsed to its lowest position and the tripod's legs collapsed into their carrying position.



WARNING: To reduce the risk of fire, do not place anything on top of the lens during or after operation of the light.



WARNING: Do not place the tripod light in a position which may cause anyone to intentionally or unintentionally stare into the light head. Serious eye injury could result.



CAUTION: Only use tripod light on stable surface. Do not raise above work space/personnel via lifting, hoisting, mounting, or suspension.

Residual Risks

In spite of the application of the relevant safety regulations and the implementation of safety devices, certain residual risks cannot be avoided. These are:

- Impaired vision when looking directly into light
- burns from touching a hot surface

Batteries				Chargers/Charge Times (Minutes)					
Cat #	V _{DC}	Ah	Weight (kg)	DCB107	DCB113	DCB115	DCB118	DCB132	DCB119
DCB546/DCB606	18/54	6.0/2.0	1.05	270	140	90	60	90	X
DCB547/DCB609	18/54	9.0/3.0	1.25	420	220	140	85	140	X
DCB181	18	1.5	0.35	70	35	22	22	22	45
DCB182/DCB204	18	4.0	0.61	185	100	60	60	60	120
DCB183/DCB203	18	2.0	0.40	90	50	30	30	30	60
DCB184/DCB205	18	5.0	0.62	240	120	75	75	75	150
DCB185	18	1.3	0.35	60	30	22	22	22	X
DCB187	18	3.0	0.48	140	70	45	45	45	90

Electrical Safety

The charger's electric motor has been designed for one voltage only. Always check that the battery pack voltage corresponds to the voltage on the rating plate. Also make sure that the voltage of your charger corresponds to that of your mains.



Your DEWALT charger is double insulated in accordance with IEC60335; therefore no earth wire is required.

If the supply cord is damaged, it must be replaced by a specially prepared cord available through the DEWALT service organisation.

SAVE THESE INSTRUCTIONS

Chargers

DEWALT chargers require no adjustment and are designed to be as easy as possible to operate.

Important Safety Instructions for All Battery Chargers

SAVE THESE INSTRUCTIONS: This manual contains important safety and operating instructions for compatible battery chargers (refer to **Technical Data**).

- Before using charger, read all instructions and cautionary markings on charger, battery pack, and product using battery pack.



WARNING: Shock hazard. Do not allow any liquid to get inside charger. Electric shock may result.



WARNING: We recommend the use of a residual current device with a residual current rating of 30mA or less.



CAUTION: Burn hazard. To reduce the risk of injury, charge only DEWALT rechargeable batteries. Other types of batteries may burst causing personal injury and damage.



CAUTION: Children should be supervised to ensure that they do not play with the appliance.

NOTICE: Under certain conditions, with the charger plugged into the power supply, the exposed charging contacts inside the charger can be shorted by foreign material. Foreign materials of a conductive nature such as, but not limited to, steel wool, aluminum foil or any buildup of metallic particles should be kept away from

charger cavities. Always unplug the charger from the power supply when there is no battery pack in the cavity. Unplug charger before attempting to clean

- **DO NOT attempt to charge the battery pack with any chargers other than the ones in this manual.** The charger and battery pack are specifically designed to work together.
- **These chargers are not intended for any uses other than charging DEWALT rechargeable batteries.** Any other uses may result in risk of fire, electric shock or electrocution.
- **Do not expose charger to rain or snow.**
- **Pull by plug rather than cord when disconnecting charger.** This will reduce risk of damage to electric plug and cord.
- **Make sure that cord is located so that it will not be stepped on, tripped over, or otherwise subjected to damage or stress.**
- **Do not use an extension cord unless it is absolutely necessary.** Use of improper extension cord could result in risk of fire, electric shock, or electrocution.
- **Do not place any object on top of charger or place the charger on a soft surface that might block the ventilation slots and result in excessive internal heat.** Place the charger in a position away from any heat source. The charger is ventilated through slots in the top and the bottom of the housing.
- **Do not operate charger with damaged cord or plug—** have them replaced immediately.
- **Do not operate charger if it has received a sharp blow, been dropped, or otherwise damaged in any way.** Take it to an authorised service centre.
- **Do not disassemble charger; take it to an authorised service centre when service or repair is required.** Incorrect reassembly may result in a risk of electric shock, electrocution or fire.
- In case of damaged power supply cord the supply cord must be replaced immediately by the manufacturer, its service agent or similar qualified person to prevent any hazard.
- **Disconnect the charger from the outlet before attempting any cleaning. This will reduce the risk of electric shock.** Removing the battery pack will not reduce this risk.
- **NEVER attempt to connect two chargers together.**

- **The charger is designed to operate on standard 220-240VV household electrical power. Do not attempt to use it on any other voltage. This does not apply to the vehicular charger.**







Charging a Battery (Fig. B)

1. Plug the charger into an appropriate outlet before inserting battery pack.
2. Insert the battery pack **10** into the charger, making sure the battery pack is fully seated in the charger. The red (charging) light will blink repeatedly indicating that the charging process has started.
3. The completion of charge will be indicated by the red light remaining ON continuously. The battery pack is fully charged and may be used at this time or left in the charger. To remove the battery pack from the charger, push the battery release button **11** on the battery pack.

NOTE: To ensure maximum performance and life of lithium-ion battery packs, charge the battery pack fully before first use.

Charger Operation

Refer to the indicators below for the charge status of the battery pack.

Charge Indicators	
	Charging 
	Fully Charged 
	Hot/Cold Pack Delay* 

*The red light will continue to blink, but a yellow indicator light will be illuminated during this operation. Once the battery pack has reached an appropriate temperature, the yellow light will turn off and the charger will resume the charging procedure.

The compatible charger(S) will not charge a faulty battery pack. The charger will indicate faulty battery by refusing to light or by displaying problem pack or charger blink pattern.

NOTE: This could also mean a problem with a charger.

If the charger indicates a problem, take the charger and battery pack to be tested at an authorised service centre.

Hot/Cold Pack Delay

When the charger detects a battery pack that is too hot or too cold, it automatically starts a Hot/Cold Pack Delay, suspending charging until the battery pack has reached an appropriate temperature. The charger then automatically switches to the pack charging mode. This feature ensures maximum battery pack life.

A cold battery pack will charge at a slower rate than a warm battery pack. The battery pack will charge at that slower rate throughout the entire charging cycle and will not return to maximum charge rate even if the battery pack warms.

The DCB118 charger is equipped with an internal fan designed to cool the battery pack. The fan will turn on automatically when the battery pack needs to be cooled. Never operate the charger if the fan does not operate properly or if ventilation slots are blocked. Do not permit foreign objects to enter the interior of the charger.

Electronic Protection System

XR Li-Ion tools are designed with an Electronic Protection System that will protect the battery pack against overloading, overheating or deep discharge.

The tool will automatically turn off if the Electronic Protection System engages. If this occurs, place the lithium-ion battery pack on the charger until it is fully charged.

Wall Mounting

These chargers are designed to be wall mountable or to sit upright on a table or work surface. If wall mounting, locate the charger within reach of an electrical outlet, and away from a corner or other obstructions which may impede air flow. Use the back of the charger as a template for the location of the mounting screws on the wall. Mount the charger securely using drywall screws (purchased separately) at least 25.4 mm long with a screw head diameter of 7–9 mm, screwed into wood to an optimal depth leaving approximately 5.5 mm of the screw exposed. Align the slots on the back of the charger with the exposed screws and fully engage them in the slots.

Charger Cleaning Instructions

WARNING: Shock hazard. Disconnect the charger from the AC outlet before cleaning. Dirt and grease may be removed from the exterior of the charger using a cloth or soft non-metallic brush. Do not use water or any cleaning solutions. Never let any liquid get inside the tool; never immerse any part of the tool into a liquid.

Battery Packs

Important Safety Instructions for All Battery Packs


When ordering replacement battery packs, be sure to include catalogue number and voltage.


The battery pack is not fully charged out of the carton. Before using the battery pack and charger, read the safety instructions below. Then follow charging procedures outlined.


READ ALL INSTRUCTIONS


- **Do not charge or use battery in explosive atmospheres, such as in the presence of flammable liquids, gases or dust.** Inserting or removing the battery from the charger may ignite the dust or fumes.
- **Never force battery pack into charger. Do not modify battery pack in any way to fit into a non-compatible charger as battery pack may rupture causing serious personal injury.**
- Charge the battery packs only in DeWALT chargers.
- **DO NOT splash or immerse in water or other liquids.**
- **Do not store or use the tool and battery pack in locations where the temperature may reach or exceed 40 °C (104 °F) (such as outside sheds or metal buildings in summer).**
- **Do not incinerate the battery pack even if it is severely damaged or is completely worn out.** The battery pack can explode in a fire. Toxic fumes and materials are created when lithium-ion battery packs are burned.

- **If battery contents come into contact with the skin, immediately wash area with mild soap and water.** If battery liquid gets into the eye, rinse water over the open eye for 15 minutes or until irritation ceases. If medical attention is needed, the battery electrolyte is composed of a mixture of liquid organic carbonates and lithium salts.
- **Contents of opened battery cells may cause respiratory irritation.** Provide fresh air. If symptoms persists, seek medical attention.


 **WARNING:** Burn hazard. Battery liquid may be flammable if exposed to spark or flame.

 **WARNING:** Never attempt to open the battery pack for any reason. If battery pack case is cracked or damaged, do not insert into charger. Do not crush, drop or damage battery pack. Do not use a battery pack or charger that has received a sharp blow, been dropped, run over or damaged in any way (i.e., pierced with a nail, hit with a hammer, stepped on). Electric shock or electrocution may result. Damaged battery packs should be returned to service centre for recycling.

 **WARNING:** Fire hazard. Do not store or carry the battery pack so that metal objects can contact exposed battery terminals. For example, do not place the battery pack in aprons, pockets, tool boxes, product kit boxes, drawers, etc., with loose nails, screws, keys, etc.

 **CAUTION:** When not in use, place tool on its side on a stable surface where it will not cause a tripping or falling hazard. Some tools with large battery packs will stand upright on the battery pack but may be easily knocked over.

Transportation

 **WARNING:** Fire hazard. Transporting batteries can possibly cause fire if the battery terminals inadvertently come in contact with conductive materials. When transporting batteries, make sure that the battery terminals are protected and well insulated from materials that could contact them and cause a short circuit.

DEWALT batteries comply with all applicable shipping regulations as prescribed by industry and legal standards which include UN Recommendations on the Transport of Dangerous Goods; International Air Transport Association (IATA) Dangerous Goods Regulations, International Maritime Dangerous Goods (IMDG) Regulations, and the European Agreement Concerning The International Carriage of Dangerous Goods by Road (ADR). Lithium-ion cells and batteries have been tested to section 38.3 of the UN Recommendations on the Transport of Dangerous Goods Manual of Tests and Criteria.

In most instances, shipping a DEWALT battery pack will be excepted from being classified as a fully regulated Class 9 Hazardous Material. In general, only shipments containing a lithium-ion battery with an energy rating greater than 100 Watt Hours (Wh) will require being shipped as fully regulated Class 9. All lithium-ion batteries have the Watt Hour rating marked on the pack. Furthermore, due to regulation complexities, DEWALT does not recommend air shipping lithium-ion battery packs alone regardless of Watt Hour rating. Shipments of tools with

batteries (combo kits) can be air shipped as excepted if the Watt Hour rating of the battery pack is no greater than 100 Whr.

Regardless of whether a shipment is considered excepted or fully regulated, it is the shipper's responsibility to consult the latest regulations for packaging, labeling/marketing and documentation requirements.

The information provided in this section of the manual is provided in good faith and believed to be accurate at the time the document was created. However, no warranty, expressed or implied, is given. It is the buyer's responsibility to ensure that its activities comply with the applicable regulations.

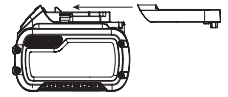
Transporting the FLEXVOLT™ Battery

The DEWALT FLEXVOLT™ battery has two modes: **Use** and **Transport**.

Use Mode: When the FLEXVOLT™ battery stands alone or is in a DEWALT 18V(20V Max) product, it will operate as an 18V(20V Max) battery. When the FLEXVOLT™ battery is in a 54V(60V Max) or a 108V(120V Max) (two 54V(60V Max) batteries) product, it will operate as a 54V(60V Max) battery.

Transport Mode: When the cap is attached to the FLEXVOLT™ battery, the battery is in Transport mode. Keep the cap for shipping.

When in Transport mode, strings of cells are electrically disconnected within the pack resulting in 3 batteries with a lower Watt hour (Wh) rating as compared to 1 battery with a higher Watt hour rating. This increased quantity of 3 batteries with the lower Watt hour rating can exempt the pack from certain shipping regulations that are imposed upon the higher Watt hour batteries.



For example, the Transport Wh rating might indicate 3 x 36 Wh, meaning 3 batteries of 36 Wh each.

The Use Wh rating might indicate 108(120V Max) Wh (1 battery implied).

Example of Use and Transport Label Marking



Storage Recommendations

1. The best storage place is one that is cool and dry away from direct sunlight and excess heat or cold. For optimum battery performance and life, store battery packs at room temperature when not in use.
2. For long storage, it is recommended to store a fully charged battery pack in a cool, dry place out of the charger for optimal results.

NOTE: Battery packs should not be stored completely depleted of charge. The battery pack will need to be recharged before use.

Labels on Charger and Battery Pack

In addition to the pictographs used in this manual, the labels on the charger and the battery pack may show the following pictographs:



Read instruction manual before use.



See **Technical Data** for charging time.



Do not probe with conductive objects.



Do not charge damaged battery packs.



Do not expose to water.



Have defective cords replaced immediately.



Charge only between 4 °C and 40 °C.



Only for indoor use.



Discard the battery pack with due care for the environment.



Charge DEWALT battery packs only with designated DEWALT chargers. Charging battery packs other than the designated DEWALT batteries with a DEWALT charger may make them burst or lead to other dangerous situations.



Do not incinerate the battery pack.



USE (without transport cap). Example: Wh rating indicates 108 Wh (1 battery with 108 Wh).



TRANSPORT (with built-in transport cap). Example: Wh rating indicates 3 x 36 Wh (3 batteries of 36 Wh).

Battery Type

The DCL079 operates on an 18(20V Max) volt battery pack.

These battery packs may be used: DCB181, DCB182, DCB183, DCB183B, DCB184, DCB184B, DCB185, DCB187, DCB546, DCB203, DCB204, DCB205, DCB547, DCB606, DCB609. Refer to **Technical Data** for more information.

Package Contents

The package contains:

- 1 Tripod light
- 1 Charger
- 1 Li-Ion battery pack (C1, D1, L1, M1, P1, S1, T1, X1 models)
- 2 Li-Ion battery packs (C2, D2, L2, M2, P2, S2, T2, X2 models)
- 3 Li-Ion battery packs (C3, D3, L3, M3, P3, S3, T3, X3 models)
- 1 Instruction manual

NOTE: Battery packs, chargers and kitboxes are not included with N-models.

- Check for damage to the tool, parts or accessories which may have occurred during transport.
- Take the time to thoroughly read and understand this manual prior to operation.

Markings on Tool

The following pictograms are shown on the tool:



Read instruction manual before use.



Visible radiation. Do not stare into light.



Hot surface. Risk of burns. Do not touch.



Do not use near fire.



Risk of trapping hand/finger.



On/Off button



Class III

Date Code Position (Fig. A)

The date code **12**, which also includes the year of manufacture, is printed into the housing.

Example:

2018 XX XX

Year of Manufacture

Description (Fig. A)



WARNING: Never modify the power tool or any part of it. Damage or personal injury could result.

- | | |
|----------------------|---------------------------|
| 1 LED light head | 7 Legs |
| 2 Extension poles | 8 Carrying handle |
| 3 Latches | 9 Battery port |
| 4 Power button | 10 Battery pack |
| 5 Handle/Rest | 11 Battery release button |
| 6 Leg release button | 12 Date code |

Intended Use

This tripod light is designed for professional workspace lighting.

DO NOT use under wet conditions or in the presence of flammable liquids or gases.

DO NOT let children come into contact with the tool.

Supervision is required when inexperienced operators use this tool.

- **Young children and the infirm.** This appliance is not intended for use by young children or infirm persons without supervision.
- This product is not intended for use by persons (including children) suffering from diminished physical, sensory or mental abilities; lack of experience, knowledge or skills

unless they are supervised by a person responsible for their safety. Children should never be left alone with this product.

ASSEMBLY AND ADJUSTMENTS



WARNING: To reduce the risk of serious personal injury, turn tool off and disconnect battery pack before making any adjustments or removing/installing attachments or accessories. An accidental start-up can cause injury.



WARNING: Use only DEWALT battery packs and chargers.

Inserting and Removing the Battery Pack from the Tool (Fig. A)

NOTE: Make sure your battery pack **10** is fully charged.

To Install the Battery Pack into the Light

- Align the battery pack with the rails inside the tripod light's battery port **9** and slide it in until the battery pack is firmly seated. Ensure that it does not disengage.

To Remove the Battery Pack from the Light

- To remove the battery pack from the tripod light, press and hold the release button **11** on the battery pack and firmly pull the battery pack out.

Fuel Gauge Battery Packs (Fig. A)

Some DEWALT battery packs include a fuel gauge which consists of three green LED lights that indicate the level of charge remaining in the battery pack.

To actuate the fuel gauge, press and hold the fuel gauge button. A combination of the three green LED lights will illuminate designating the level of charge left. When the level of charge in the battery is below the usable limit, the fuel gauge will not illuminate and the battery will need to be recharged.

NOTE: The fuel gauge is only an indication of the charge left on the battery pack. It does not indicate tool functionality and is subject to variation based on product components, temperature and end-user application.

Tripod Light Setup (Fig. A)

To set up your tripod light from its collapsed carrying position, hold the handle/rest **5** with one hand then use your other hand to hold the carrying handle **8**. While pressing the leg release button **6**, slide the carrying handle **8** down until the legs extend and lock into place.

Be sure the legs are fully extended and locked into position before extending the light head pole.

Extending the LED Light Head (Fig. A, C, D)

The height of your tripod light can be adjusted by extending or collapsing the extension poles **2**.

- Extend the legs **7** then secure/lock them into position (refer to **Tripod Light Set Up**).
- Unfasten the top latch and raise the head out of the housing. Extend the pole to the desired height.
- Fully close the top extension latch and make sure the extension pole is locked into place.

- For more height, unfasten the bottom latch and extend the head further to the required height.
- Fully fasten the bottom latch and make sure the extension pole is locked into place.
- Pivot the head to the desired angle.

NOTE: Over time, the latches may loosen. If this happens, open the latches **3** and hand-tighten the screws **13** (Fig. C). Do not over-tighten, as that could damage the latches.

NOTE: Over time, the light head may also loosen. If this happens, hand tighten the two light head screws **14** (Fig. D) located on the back of the light head.

Collapsing and Carrying the Tripod Light (Fig. A)



CAUTION: Keep hands and fingers clear when collapsing the light head back into the housing to avoid pinching of fingers and hands.

To collapse your tripod light into the carrying position, first collapse the extension poles **2** so the light head rests in the lowest position and is inside the housing. Lock the latches **3**. Press the leg release button **6** and slide the carrying handle **8** up until the legs fold in completely.



CAUTION: Keep hands clear of the legs as they collapse to avoid pinching of fingers and hands.

Storing the Tripod Light

Store your tripod light either in its closed carrying position (refer to **Collapsing and Carrying the Tripod Light**) lying on its side on the handle/rest **5**, or standing vertically with the legs extended and the light head fully collapsed into the base.



CAUTION: Do not store the light vertically when in the closed position as it could tip over causing injury or damage to the light.

OPERATION

Instructions for Use



WARNING: Always observe the safety instructions and applicable regulations.



WARNING: To reduce the risk of serious personal injury, turn tool off and disconnect battery pack before making any adjustments or removing/installing attachments or accessories. An accidental start-up can cause injury.

Usage (Fig. A)



WARNING: Burn hazard. The lens and heatsink get very hot during use. To reduce the risk of burns and fire, do not touch and keep away from combustible materials while in operation.

- Place the tripod light on a stable, level surface resting on its three extended legs.
- To turn the light on, press the power button **4**. The light will turn on at the brightest setting. Pressing the power button a second time will change the light to middle brightness, and pressing it a third time will change the light

to the lowest brightness. Pressing the power button a fourth time will turn the light off.

- Pivot the light head as needed using the light head's frame.
- When finished using the tripod light, press the power button until the light turns off.



WARNING: Burn hazard. The light head's heatsink **15** (Fig. D) becomes hot during use. Do not touch heatsink when worklight is on or immediately after use, and keep away from combustible materials. Always pivot the head using only the head's frame.

Low Battery Indicator

As the battery nears a fully discharged state, the light will blink twice and then dim, dropping the brightness of the light below the normal level. The light will continue to blink twice every 45 seconds until the battery is fully discharged at which time the light will turn off. Indication time will vary based on battery pack capacity.



WARNING: Stop work and replace the battery when this occurs. To reduce the risk of injury, always have a back-up battery or secondary lighting available if the situation warrants it.

MAINTENANCE

Your DEWALT power tool has been designed to operate over a long period of time with a minimum of maintenance. Continuous satisfactory operation depends upon proper tool care and regular cleaning.



WARNING: To reduce the risk of serious personal injury, turn tool off and disconnect battery pack before making any adjustments or removing/installing attachments or accessories. An accidental start-up can cause injury.

The charger and battery pack are not serviceable.

The light source contained in this light shall only be replaced by the manufacturer or its service agent or a similarly qualified person.



Lubrication

Your power tool requires no additional lubrication.



Cleaning



WARNING: Blow dirt and dust out of the main housing with dry air as often as dirt is seen collecting in and around the air vents. Wear approved eye protection and approved dust mask when performing this procedure.



WARNING: Never use solvents or other harsh chemicals for cleaning the non-metallic parts of the tool. These chemicals may weaken the materials used in these parts. Use a cloth dampened only with water and mild soap.

Never let any liquid get inside the tool; never immerse any part of the tool into a liquid.

Optional Accessories



WARNING: Since accessories, other than those offered by DEWALT, have not been tested with this product, use of such accessories with this tool could be hazardous. To reduce the risk of injury, only DEWALT recommended accessories should be used with this product.

Consult your dealer for further information on the appropriate accessories.

Protecting the Environment



Separate collection. Products and batteries marked with this symbol must not be disposed of with normal household waste.



Products and batteries contain materials that can be recovered or recycled reducing the demand for raw materials. Please recycle electrical products and batteries according to local provisions. Further information is available at www.2helpU.com.

Rechargeable Battery Pack

This long life battery pack must be recharged when it fails to produce sufficient power on jobs which were easily done before. At the end of its technical life, discard it with due care for our environment:

- Run the battery pack down completely, then remove it from the tool.
- Li-Ion cells are recyclable. Take them to your dealer or a local recycling station. The collected battery packs will be recycled or disposed of properly.

최대 20V 스탠드 작업등

DCL079

축하합니다!

DeWALT 공구를 선택해 주셔서 감사합니다. 제품 개발과 혁신을 통한 다년간의 경험은 DeWALT를 전문 전동 공구 사용자들이 가장 믿을 수 있는 제품으로 만들어 왔습니다.




기술 데이터

		DCL079
전압	V _{DC}	18/20*
배터리 유형		리튬 이온
무게(배터리 팩 제외)	kg	7.4

*“무 부하 시, 배터리 최대전압은 20V이며, 공칭전압은 18V입니다.”

정의: 안전 지침


다음 정의는 각 경고 문구의 심각도를 설명합니다. 사용 설명서를 읽고 다음 기호들에 유의하십시오.

-  **위험:** 절박한 위험 상태를 나타내며, 방지하지 않으면 **사망 또는 심각한 부상을 초래합니다.**
-  **경고:** 잠재적 위험 상태를 나타내며, 방지하지 않으면 **사망 또는 심각한 부상을 초래할 수 있습니다.**
-  **주의:** 잠재적으로 위험한 상태를 나타내며, 방지하지 않으면 **경미하거나 가벼운 부상을 초래할 수 있습니다.**
- 참고:** 신체 부상을 초래하지 않는 행위를 나타내며, 방지하지 않으면 **재산상의 손해가 발생할 수 있습니다.**

 감전 위험을 나타냅니다.





 화재 위험을 나타냅니다.

중요한 안전 규칙

-  **경고!** 스탠드 사용할 때는, 다음을 포함하여 항상 기본적인 예방 조치를 준수해야 합니다.
 - a) **스탠드 작업등을 사용하기 전에 모든 지침을 읽으십시오.**
 - b) **부상의 위험을 줄이려면, 스탠드 작업등이 어린이 근처에서 사용될 때는 엄격한 감독이 필요합니다.**
 - c) **심한 타격을 받았거나, 고장이 있거나 떨어뜨렸거나 어떠한 방식으로든 손상된 이후에는 스탠드 작업등을 작동하지 마십시오.** 검사, 수리 또는 전기 또는 기계적 조정이 필요한 경우 가까운 공인 서비스 기관으로 스탠드 작업등을 반환해 주십시오.
 - d) **감전의 위험을 줄이려면 스탠드 작업등을 물이나 기타 액체에 넣지 마십시오.** 욕조 또는 싱크대로 떨어지거나 끌어당길 수 있는 곳에 스탠드 작업등을 놓거나 보관하지 마십시오.
 - e) **제조업체에서 판매하거나 권장하는 부속물만 사용하십시오.**
 - f) **실외에서 사용하지 마십시오.**

g) **감전 위험** 비에 노출되지 않도록 주의하십시오
실내에 보관하십시오.

스탠드 작업등에 대한 특수 안전 규칙

-  **경고: 화재 위험.** 가연성 액체 또는 가스 또는 폭발성 물질이 있는 환경에서 스탠드 작업등을 사용하지 마십시오. 내부의 스파크로 인해 연기에 불이 붙어 부상을 유발할 수 있습니다.
- 라이트를 켜고 있거나 습한 곳에 두지 마십시오. 건조한 장소에서만 사용하십시오. 스탠드 작업등 내부에 액체가 들어가지 않도록 하십시오.
- 스탠드 작업등을 절대 액체에 담그지 마십시오.
- 스탠드 작업등은 상업 및 가정용입니다.
- 배터리 및 스탠드 작업등을 사용하기 전에 스탠드 작업등, 배터리 팩에 대한 모든 지침과 주의 표시를 숙지하십시오.
- 이 제품은 신체, 지각 또는 정신 능력이 낮거나 경험 및 지식이 부족한 사람(어린이 포함)이 사용하도록 설계되지 않았습니다. 이러한 사람이 사용할 때는 안전 책임자의 감독 또는 제품 사용과 관련된 지시 사항이 필요합니다.
- 스탠드 작업등을 사용하지 않을 때는 실내에 보관하십시오. 어린이의 손이 닿지 않는 곳에 보관하십시오.
- 본 사용 설명서에 명시된 충전기 외의 다른 충전기로 배터리 팩을 충전하지 마십시오. 본 스탠드 작업등과 배터리 팩은 함께 사용하도록 특수 설계되었습니다.
- 스탠드 작업등은 열원에 가까이 두지 마십시오.
- 스탠드 작업등을 분해하지 마십시오. 서비스나 수리가 필요한 경우에는 공인 서비스 센터로 가져가십시오. 잘못 재조립하면 감전, 감전사 또는 화재의 위험이 있습니다.
- DCL079 스탠드 작업등은 완전히 충전된 DeWALT 18V (최대 20V) 또는 FLEXVOLT™ 리튬 이온 배터리 팩에서 작동하도록 설계되었습니다. 다른 전압에서는 사용하지 마십시오.
- 운반하는 동안, 라이트 헤드는 최저 위치로 접어져 있고 삼각대의 레그가 운반 위치로 접어져 있는지 확인하십시오.
-  **경고:** 화재의 위험을 줄이려면, 라이트를 작동하는 동안 또는 작동 이후에 렌즈 위에 어떤 것을 놓지 마십시오.
-  **경고:** 의도적으로 또는 고의 아니게 다른 사람이 스탠드 작업등을 공유할 수 있는 위치에 라이트를 놓지 마십시오. 심각한 눈 부상을 당할 수 있습니다.
-  **주의:** 안정된 표면에서만 스탠드 작업등을 사용하십시오. 들어올리기, 끌어올리기, 끼우기 또는 매다는 경우 작업 공간/작업자 위로 올리지 마십시오.

배터리				충전기/충전 시간(분)					
카테고리 번호	V _{DC}	Ah	무게(Kg)	DCB107	DCB113	DCB115	DCB118	DCB132	DCB119
DCB546/DCB606	18/54	6.0/2.0	1.05	270	140	90	60	90	X
DCB547/DCB609	18/54	9.0/3.0	1.25	420	220	140	85	140	X
DCB181	18	1.5	0.35	70	35	22	22	22	45
DCB182/DCB204	18	4.0	0.61	185	100	60	60	60	120
DCB183/DCB203	18	2.0	0.40	90	50	30	30	30	60
DCB184/DCB205	18	5.0	0.62	240	120	75	75	75	150
DCB185	18	1.3	0.35	60	30	22	22	22	X
DCB187	18	3.0	0.48	140	70	45	45	45	90

기타 발생 가능한 위험

관련된 안전 규정을 준수하고 안전 장치를 사용한다고 해도 특정한 위험은 피할 수 없습니다. 이러한 위험은 다음과 같습니다.

- 라이트를 직접 쳐다볼 때 시력 손상
- 뜨거운 표면을 만질 때 화상

전기 안전

충전기의 전기 모터는 한 가지 전압에만 맞추어 설계되었습니다. 배터리 팩 전압이 명판에 기재된 전압과 일치하는지 항상 확인하십시오. 또한 충전기의 전압이 주전원의 전압과도 일치하는지 확인하십시오.



DEWALT 충전기는 IEC60335에 따라 이중 절연되어 있습니다. 따라서 접지선이 필요하지 않습니다.

전원 코드가 손상된 경우에는 DEWALT 서비스 센터를 통해 특수 제작된 코드로 교체해야만 합니다.

본 지침을 잘 보관해 두십시오.

충전기

DEWALT 충전기는 어떠한 조절 작업도 필요 없으며 최대한 작동하기 쉽게 설계되었습니다.

모든 배터리 충전기에 대한 중요한 안전 지침

본 지침을 잘 보관해 두십시오. 본 사용 설명서에는 호환이 되는 배터리 충전기에 대한 중요한 안전 및 작업 지침이 포함되어 있습니다(**기술 데이터** 참조).

- 충전기를 사용하기 전에 충전기, 배터리 팩, 그리고 배터리 팩 관련 제품에 대한 지침과 주의 표시를 숙지하십시오.



경고: 감전 위험. 충전기 내부에 액체가 들어가지 않도록 하십시오. 감전될 수 있습니다.



경고: 정격 전류 전류가 30MA 미만인 누전 차단기를 사용하는 것이 좋습니다.



주의: 화상 위험. 신체 부상의 위험을 줄이려면 DEWALT 충전용 배터리로만 충전하십시오. 다른 유형의 배터리는 폭발로 인한 신체 부상과 손상을 초래할 수 있습니다.



주의: 어린이가 본 제품을 가지고 놀지 못하도록 항상 주의해야 합니다.

참고: 특정 조건에서, 충전기가 전원 공급기에 연결되어 있으면 충전기 내부에 노출된 충전 접점이 이물질에 의해 단락될 수 있습니다. 철부스리기, 알루미늄 호일, 금속 입자 축적물 등의 전도성 이물질은 충전기 캐비티에 닿지 않게 해야 합니다. 캐비티 안에 배터리 팩이 없을 경우 항상 배터리 전원 공급기에서 충전기의 플러그를 뽑으십시오. 충전기를 청소할 때는 플러그를 뽑아야 합니다.

- **본 사용 설명서에 명시된 충전기 외의 다른 충전기로 배터리 팩을 충전하지 마십시오.** 본 충전기와 배터리는 함께 사용하도록 특수 설계되었습니다.
- **이러한 충전기는 DEWALT 충전용 배터리 충전 이외의 용도로는 사용할 수 없습니다.** 다른 용도로 사용하면 화재, 감전 또는 감전사의 위험이 있습니다.
- **충전기가 비나 눈을 맞지 않도록 하십시오.**
- **충전기를 분리할 경우 코드가 아니라 플러그를 뽑으십시오.** 그래야만 전기 플러그 및 코드 손상의 위험이 줄어듭니다.
- **코드가 밟히거나 걸리거나 기타 원인에 의해 손상되거나 압박을 받지 않도록 유의하십시오.**
- **불가피한 경우가 아니면 연장 코드를 사용하지 마십시오.** 연장 코드를 잘못 사용하면 화재, 감전 또는 감전사의 위험이 있습니다.
- **충전기 위에 물건을 올려놓거나 부드러운 표면에 충전기를 두면 환기 슬롯이 막혀 내부가 과열될 수 있습니다.** 충전기는 열원에 가까이 두지 마십시오. 충전기는 하우징의 상단과 하단에 있는 슬롯을 통해 환기됩니다.
- **코드가 플러그가 손상된 충전기를 작동시키지 마십시오** — 즉시 교체하십시오.
- **심한 충격을 받았거나 떨어뜨렸거나 어떠한 식으로든 손상된 경우에는 충전기를 작동시키지 마십시오.** 공인 서비스 센터로 가져가십시오.
- **충전기를 분해하지 마십시오.** 서비스나 수리가 필요한 경우에는 공인 서비스 센터로 가져가십시오. 잘못 재조립하면 감전, 감전사 또는 화재의 위험이 있습니다.
- **전원 코드가 손상된 경우 사고 방지를 위해 제조업체, 서비스 대리점 또는 이에 준하는 유자격 수리 기술자를 통해 즉시 교체하십시오.**
- **청소하려면 먼저 충전기를 콘센트에서 분리하십시오. 그래야 감전 위험이 줄어듭니다.** 배터리 팩을 제거하는 것만으로 이러한 위험이 줄어들지는 않습니다.

- **절대로** 충전기 두 개를 함께 연결하지 마십시오.
- **충전기는 가정용 표준 전력(220~240V)으로 작동하도록 설계되어 있습니다. 다른 전압에서는 사용하지 마십시오.** 차량용 충전기는 제외됩니다.

배터리 충전(그림 B)

1. 배터리 팩을 끼우기 전에 충전기를 적절한 콘센트에 꽂습니다.
2. 충전기에 배터리 팩 **10** 을 끼우고 배터리 팩이 완벽히 장착되었는지 확인하십시오. 빨간색(충전 중) 표시등이 반복해서 깜박이면서 충전 프로세스가 시작되었음을 알립니다.
3. 충전이 완료되면 빨간색 불이 계속 켜져 있습니다. 배터리 팩이 완전히 충전되면 바로 사용하거나 충전기에 그대로 둡니다. 배터리 팩을 충전기에서 분리하려면, 배터리 팩에 있는 배터리 탈착 버튼 **11** 을 누릅니다.

참고: 리튬이온 배터리 팩의 성능과 수명을 극대화하려면 처음 사용하기 전에 배터리 팩을 완전히 충전시키십시오.

충전기 작동

배터리 팩의 충전 상태는 아래 표시등을 참조하십시오.

충전 표시등

	충전 중	
	완전 충전됨	
	냉/온 팩 지연*	

* 빨간색 표시등이 계속 깜박거리지만, 노란색 표시등은 이 작동 동안 계속 켜져 있습니다. 배터리 팩이 적정 온도에 도달하면, 노란색 표시등이 꺼지고 충전기에서 충전 절차를 다시 시작합니다.

이 호환 충전기(S)는 결합이 있는 배터리 팩은 충전하지 못합니다. 충전기는 불이 켜지지 않거나 문제가 있는 팩을 표시하거나 충전기의 깜빡이는 패턴으로 배터리 고장을 나타냅니다.

참고: 이는 충전기 고장을 의미할 수도 있습니다.

충전기에 문제가 표시되는 경우 충전기와 배터리 팩을 공인 서비스 센터로 가져 가서 테스트를 받아 보십시오.

냉/온 팩 지연

충전기에서 너무 뜨겁거나 차가운 배터리 팩이 감지되면, 냉/온 팩 지연이 자동으로 시작되어 배터리 팩이 적절한 온도가 될 때까지 충전이 중단됩니다. 이 과정이 끝나면 충전기가 자동으로 팩 충전 모드로 전환됩니다. 이 기능은 배터리 팩 수명을 최대한으로 보장하기 위한 것입니다. 차가운 배터리 팩은 따뜻한 배터리 팩보다 더 느린 속도로 충전됩니다. 충전 사이클 전체에 걸쳐 배터리 팩은 이렇게 느린 속도로 충전되며 배터리 팩이 따뜻해지더라도 최대 충전 속도로 복원되지 않습니다.

DCB118 충전기에는 배터리 팩을 식히기 위해 설계된 내장 팬이 장착되어 있습니다. 배터리 팩을 식혀야 하면 팬이 자동으로 켜집니다. 팬이 제대로 작동하지 않거나 환기구가 막혀 있을 경우 충전기를 작동하지 마십시오. 이물질이 충전기 내부로 들어가지 않도록 하십시오.

전자 보호 시스템

XR 리튬이온 배터리 팩은 배터리에 과부하가 걸리거나 과열 또는 완전 방전되는 것을 방지하는 전자 보호 시스템으로 설계되었습니다.

이 공구는 전자 보호 시스템이 작동하면 자동으로 꺼집니다. 이러한 경우 리튬 이온 배터리가 완전히 충전될 때까지 충전기에 리튬 이온 배터리 팩을 넣으십시오.

벽 장착

이들 충전기는 테이블 또는 작업 표면에 똑바로 세우거나 벽에 장착할 수 있도록 설계되었습니다. 벽에 장착하는 경우, 충전기는 전기 콘센트에 닿을 수 있는 범위 내에 놓고, 공기 흐름이 방해될 수 있는 코너 또는 장애물로부터 멀리 두십시오. 벽에서 장착 나사의 위치는 기본적으로 충전기의 뒤쪽을 사용하십시오. 나사 머리 직경이 7~9 mm 인 최소 25.4 mm 길이의 석고보드 나사(별도 구매)를 사용해서 충전기를 단단히 장착하고, 노출된 나사의 약 5.5 mm를 남겨 두고 최적의 깊이로 목재에 고정합니다. 충전기 뒤쪽의 구멍을 노출되어 있는 나사에 맞추고 구멍에 완전히 맞물리도록 하십시오.

충전기 청소 지침

경고: 감전 위험. 청소하려면 먼저 충전기를 AC 콘센트에서 분리하십시오. 헝겊이나 부드러운 금속 이브러시로 충전기 외관 부분에 묻은 먼지 및 기름을 제거할 수 있습니다. 물이나 세척제를 사용하지 마십시오. 공기 내부에 액체를 넣거나 공기 부품을 액체에 담그는 행동은 절대 금물입니다.

배터리 팩

모든 배터리 팩에 대한 중요한 안전 지침

배터리 팩을 교체하기 위해 주물할 때는 카탈로그 번호와 전압을 반드시 확인하고 표기해야 합니다.

배터리 팩은 포장박스에서 꺼낼 때 완전히 충전된 상태가 아닙니다. 배터리 팩과 충전기를 사용하기 전에 아래 안전 지침을 숙독하십시오. 그런 다음 설명된 충전 절차를 따르십시오.

모든 지시 사항을 읽으십시오.

- **가연성 액체, 가스 또는 먼지 등 폭발 위험이 있는 환경에서 배터리를 충전하거나 사용하지 마십시오.** 배터리를 끼우거나 충전기에서 분리할 때 먼지나 가스에 불이 붙을 수 있습니다.
- **충전기에 배터리 팩을 끼울 때 과도한 힘을 주지 마십시오. 어떤 형태로든 호환되지 않는 충전기에 사용하기 위해 배터리 팩을 개조하지 마십시오. 배터리 팩이 파열되어 심각한 부상을 유발할 수 있습니다.**
- DeWALT 충전기에서만 배터리 팩을 충전하십시오.
- 물이나 기타 액체가 튀어 묻거나 액체에 빠지지 **않도록 하십시오.**
- 온도가 40 °C (104 °F)를 초과할 수 있는 곳(여름철 허름한 창고 또는 금속 건물 등)에 공구와 배터리 팩을 보관하거나 사용하지 마십시오. 배터리 팩이 심하게 손상되거나 완전히 낡았다더라도 **절대 소각하지 마십시오.** 배터리 팩은 불 속에서 폭발할 수 있습니다. 리튬이온 배터리 팩은 연소되면서 독성 연기와 물질을 발생시킵니다.

- **배터리 내용물이 피부에 닿으면 즉시 순한 비누와 물로 해당 부위를 씻어내십시오.** 배터리액이 눈에 들어갔을 경우, 15분 정도 또는 통증이 가실 때까지 눈을 뜨고 물로 씻어냅니다. 치료가 필요한 경우를 위해, 배터리 전해질은 액체 유기 탄산염과 리튬염의 혼합물로 구성되어 있음을 알아 두십시오.
- **열린 배터리 셀의 내용물은 호흡기 질환을 일으킬 수 있습니다.** 신선한 공기를 마시십시오. 증상이 계속되면 치료를 받으십시오.

경고: 화학 위험. 배터리액은 불꽃이나 화염에 노출되면 연소될 수 있습니다.

경고: 어떤 이유든 배터리 팩을 절대 분해하지 마십시오. 배터리 팩 케이스가 깨지거나 손상되면 충전기에 넣지 마십시오. 배터리 팩을 문개거나 떨어뜨리거나 손상시키지 마십시오. 강한 충격을 받았거나, 떨어뜨렸거나, 차에 치였거나 기타의 원인으로 어떤 방식이든 손상된(뚫이 박히거나 망치로 맞았거나 밟힘) 배터리 팩이나 충전기는 사용하지 마십시오. 감전 또는 감전사의 위험이 있습니다. 손상된 배터리 팩은 재활용을 위해 서비스 센터에 반환해야 합니다.

경고: 화재 위험. 배터리 팩을 보관하거나 휴대할 때는 노출된 배터리 단자에 금속 물체가 닿지 않도록 하십시오. 예를 들어, 못, 나사, 키등이 있는 앞치마, 주머니, 도구상자, 제품 키트 상자, 서랍 등에 배터리 팩을 두지 마십시오.

주의: 사용하지 않는 공구는 걸려 넘어지거나 떨어질 위험이 없는 안정된 표면에 놓혀 두십시오. 배터리 팩이 큰 일부 공구들은 배터리 팩 위에 바로 서 있지만 쉽게 넘어질 수 있습니다.

운반

경고: 화재 위험. 배터리를 운반할 때 배터리 단자가 실수로 전도성 물질과 닿을 경우 화재 위험의 가능성이 있습니다. 배터리를 운반할 경우에는 배터리 단자가 보호되어 있고, 물체에 닿을 경우 단락을 일으킬 수 있는 물체로부터 제대로 절연되어 있는지 확인하십시오.

DEWALT 배터리는 위험물운송규칙(Transport of Dangerous Goods), IATA (International Air Transport Association, 국제 항공 운송 협회) 위험물 규정, IMDG (International Maritime Dangerous Goods, 국제해상위험물운송) 규칙 및 위험물 도로운송에 관한 ECE의 규칙 (European Agreement Concerning The International Carriage of Dangerous Goods by Road, ADR)에 대한 UN 권고사항을 포함하여, 산업 및 법적 기준에 의한 규정에 따라 모든 해당 운송 규정을 준수하고 있습니다. 리튬 이온 전지 및 배터리는 위험 화물 테스트 및 기준 설명서에 대한 UN 권고 38.3항에 따라 테스트되었습니다.

대개의 경우에, DEWALT 배터리 팩 해상 운송은 완전 규제를 받는 Class 9 위험 물질로 분류되는 것에서 제외됩니다. 일반적으로, 에너지효율 등급이 100 와트시 (Wh)보다 큰 리튬 이온 배터리를 포함하는 수송품만 완전

규제를 받는 Class 9에 따라 수송되어야 합니다. 모든 리튬 이온 배터리에는 팩에 와트시 등급이 표시되어 있습니다. 뿐만 아니라, 규정의 복잡성으로 인해 DEWALT는 와트시 등급에 상관 없이 항공 운송 리튬 이온 배터리 팩을 단독으로 권장하지 않습니다. 배터리 팩의 와트시 등급이 100 Whr보다 크지 않을 경우는 제외됨으로 배터리(폼보 키트)가 포함된 공구의 수송품을 항공 운송할 수 있습니다. 수송품이 예외로 고려되든지 또는 완전 규제를 받든지 상관없이, 포장, 라벨링/표시 및 문서 요건에 관한 최신 규정을 참고하는 것은 운송 회사의 책임입니다.

설명서의 본 섹션에서 제공하는 정보는 신념을 갖고 제공되며 문서가 작성될 당시에는 정확한 것으로 간주됩니다. 단, 명시적이거나 함축적으로 보증은 제공되지 않습니다. 활동 시 해당 규정을 준수하는 것은 구매자의 책임입니다.

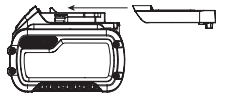
FLEXVOLT™ 배터리 운반

DEWALT FLEXVOLT™ 배터리에는 두 개의 모드, 즉 **사용 및 운반**이 있습니다.

사용 모드: FLEXVOLT™ 배터리는 독립되어 있거나 DEWALT 18V (최대 20V) 제품 안에 있을 경우, 18V (최대 20V) 배터리로 작동됩니다. FLEXVOLT™ 배터리가 54V (최대 60V) 또는 108V (최대 120V) (두 개의 54V(최대 60V) 배터리) 제품이면, 54V (최대 60V) 배터리로 작동됩니다.

운반 모드: 캡이 FLEXVOLT™ 배터리에 장착되어 있으면, 배터리는 운반 모드에 있는 것입니다. 운송 시 캡을 유지하십시오.

운반 모드에 있을 때, 더 높은 와트시 등급의 배터리1개에 비해 더 낮은 와트시(Wh)



등급의 배터리 3개가 되는 팩 내에서 일련의 셀은 전기 연결이 끊어져 있습니다. 와트시 등급이 더 낮은 이 증가된 배터리 3개 수량은 더 높은 와트시 배터리에 부과되는 특정 수송 규정에서 팩을 면제시킬 수 있습니다.

예를 들어, 운반 Wh 정격은 3 x 36 Wh Wh 배터리를 의미합니다. 사용 Wh

사용 및 운반 라벨 표시의 예

Use: 108 Wh

Transport: 3x36 Wh

정격은 108(최대 120V)를 나타낼 수 있습니다.(1개 배터리 포함).

보관 권장 사항

1. 보관 장소로는 직사광선을 받지 않고 지나치게 덥거나 춥지 않은 시원하고 건조한 곳이 가장 좋습니다. 최적의 배터리 성능과 수명을 위해, 사용하지 않을 때에는 배터리 팩을 실온에서 보관하십시오.
2. 장기간 보관하는 경우, 최적의 결과를 위해 완전히 충전된 배터리 팩을 충전기에서 분리하여 차갑고, 건조한 장소에 보관하는 것이 좋습니다.

참고: 배터리 팩은 완전히 방전된 상태로 보관해서는 안됩니다. 사용 전에 배터리 팩을 재충전해야 합니다.

충전기 및 배터리 팩에 부착된 라벨

본 설명서에 사용된 그림 외에도 충전기 및 배터리 팩에 부착된 레이블에는 다음과 같은 그림이 표시되어 있습니다.



사용 전에 사용 설명서의 내용을 숙지하십시오.



충전 시간은 **기술 데이터**를 참조하십시오.



전도성 있는 물체로 시험하지 마십시오.



손상된 배터리 팩을 충전하지 마십시오.



물에 닿지 않도록 하십시오.



손상된 코드는 즉시 교체하십시오.



4°C ~ 40°C 사이에서만 충전하십시오.



실내 전용.



환경 보호 차원에서 배터리 팩을 폐기하십시오.



지정된 DEWALT 충전기에서만 DEWALT 배터리 팩을 충전하십시오. DEWALT 충전기에 지정된 DEWALT 배터리 이외의 배터리 팩을 충전하면 폭발하여 다른 위험한 상황으로 이어질 수 있습니다.



배터리 팩을 소각하지 마십시오.



사용(운반 캡 미포함). 예: Wh 정격은 108 Wh를 나타냅니다(108 Wh 배터리 1개).



운반(내장 운반 캡 포함). 예: Wh 정격은 3 x 36 Wh (36 Wh 배터리 3개)를 나타냅니다.

배터리 유형

DCL079는 18(최대 20V) 볼트 배터리 팩에서 작동합니다. 이러한 배터리 팩은 다음을 사용할 수 있습니다. DCB181, DCB182, DCB183, DCB183B, DCB184, DCB184B, DCB185, DCB187, DCB546, DCB203, DCB204, DCB205, DCB547, DCB606, DCB609. 자세한 정보는 **기술 데이터**를 참조하십시오.

포장 내용물

포장에는 다음 내용물이 들어 있습니다.

- 1 스탠드 작업등
- 1 충전기
- 1 리튬 이온 배터리 팩(C1, D1, L1, M1, P1, S1, T1, X1 모델)

- 2 리튬 이온 배터리 팩(C2, D2, L2, M2, P2, S2, T2, X2 모델)
- 3 리튬 이온 배터리 팩(C3, D3, L3, M3, P3, S3, T3, X3 모델)

1 사용 설명서

참고: 배터리 팩, 충전기 및 공구박스는 N 모델에 포함되지 않습니다.

- **운반 중에 발생할 수 있는 공구, 부품 또는 액세서리의 손상 여부를 확인하십시오.**
- **작동 전에 시간을 내어 본 사용 설명서를 읽고 숙지하십시오.**

공구에 표시된 마크

공구에는 다음과 같은 그림이 있습니다.



사용 전에 사용 설명서의 내용을 숙지하십시오.



가시 방사선이므로, 쳐다보지 마십시오.



뜨거운 표면. 화상 위험. 만지지 마십시오.



불 근처에서 사용하지 마십시오.



손/손가락이 끼는 위험.



On/off 버튼



Class III

날짜 코드 위치(그림 A)

날짜 코드 **12**에는, 제조년도가 포함되어 이 제조년도는 케이스에 인쇄되어 있습니다.

예:

2018 XX XX

제조년도

설명(그림 A)



경고: 전동 공구 또는 전동 공구의 어떤 부품도 절대 개조하지 마십시오. 제품이 파손되거나 신체 부상을 당할 수도 있습니다.

- | | |
|--------------|--------------|
| 1 LED 라이트 헤드 | 7 레그 |
| 2 연장봉 | 8 운반용 핸들 |
| 3 래치 | 9 배터리 포트 |
| 4 전원 버튼 | 10 배터리 팩 |
| 5 핸들/손 받침대 | 11 배터리 탈착 버튼 |
| 6 레그 확장 버튼 | 12 날짜 코드 |

용도

본 스탠드 작업등은 전문가용 작업 공간 조명용으로 설계되었습니다.

습한 환경이나 가연성 액체 또는 가스가 있는 장소에서 사용하지 **마십시오**.

어린이가 이 공구를 만지지 **않도록 하십시오**. 경험이 없는 작업자가 이 공구를 사용할 때는 감독자의 지도가 필요합니다.

- **어린이 및 노약자:** 본 제품은 어린이나 노약자가 사용하도록 설계되지 않았습니다. 이러한 사람이 사용할 때는 감독이 필요합니다.
- 본 제품은 안전 책임을 맡고 있는 사람이 감독을 하고 있지 않는 한 경험, 지식 또는 기술이 부족하고 신체적, 감각적 또는 정신적 능력이 미약한 사람(어린이 포함)이 사용하도록 고안된 것이 아닙니다. 이 제품과 함께 어린이만 혼자 두어서는 안됩니다.

조립 및 조정

! **경고: 심각한 신체 부상의 위험을 줄이려면 공구를 조정하거나 부착물 또는 액세서리를 제거/설치하기 전에 공구를 끄고 배터리 팩을 분리하십시오.** 공구가 갑자기 작동하여 부상을 당할 수 있습니다.

! **경고: DEWALT 배터리 팩과 충전기만 사용하십시오.**

배터리 팩 삽입 및 공구에서 배터리 팩 분리(그림 A)

참고: 배터리 팩 **10** 이 완전히 충전되었는지 확인하십시오.

배터리 팩을 라이트에 설치하려면

- 배터리 팩을 스탠드 작업등의 배터리 포트 **9** 안쪽의 레일에 맞추고 배터리 팩이 견고하게 장착될 때까지 밀어 넣습니다. 분리되지 않는지 확인하십시오.

라이트에서 배터리 팩을 분리하려면

- 배터리 팩을 스탠드 작업등에서 분리하려면, 배터리 팩의 탈착 버튼 **11** 을 누르고 팬의 배터리 팩을 확실하게 당겨 뽑니다.

잔량표시계 배터리 팩(그림 A)

일부 DEWALT 배터리 팩에는 배터리 팩의 남아 있는 충전 레벨을 표시하는 세 개의 녹색 LED 등으로 구성된 연료계가 포함되어 있습니다.

연료계를 작동시키려면, 잔량표시계 버튼을 누릅니다. 녹색 LED 표시등 3개가 조합되어 커짐으로써 충전 잔량 수준을 나타냅니다. 배터리 잔량이 사용 가능한 한계치 미만이면 배터리 잔량표시계가 켜지지 않으며 배터리를 재충전해야 합니다.

참고: 연료계는 배터리 팩에 남아 있는 충전 레벨을 나타내는 것일 뿐입니다. 공구의 기능성을 나타내는 것이 아니며 제품 구성품, 온도 및 최종 사용자의 용도에 따라 변경될 수 있습니다.

스탠드 작업등 설치(그림 A)

접혀진 운반 위치에서 스탠드 작업등을 설치하려면, 핸들/손 받침대 **5** 를 한 손으로 잡은 다음 다른 손을 사용해서 운반용 핸들 **8** 을 잡습니다. 레그 확장 버튼 **6** 을 누르면서, 레그가 퍼져서 제자리에 잠길 때까지 운반용 핸들 **8** 을 아래로 밀니다.

라이트 헤드 봉을 펴기 전에 레그가 완전히 연장되어 제자리에 잠겼는지 확인하십시오.

LED 라이트 헤드 연장(그림 A, C, D)

스탠드 작업등의 높이는 연장봉 **2** 을 더 길게 만들거나 접어서 조정할 수 있습니다.

1. 레그 **7** 를 연장한 다음 제자리에 고정/잠급니다 (**스탠드 작업등 설치** 참조).
2. 상단 래치를 풀고 헤드를 케이스에서 들어올립니다. 원하는 높이로 봉을 길게 연장합니다.
3. 상단 연장 래치를 완전히 닫고 연장봉이 제자리에 잠겼는지 확인하십시오.
4. 위치를 더 높이려면, 하단의 래치를 풀고 헤드를 필요한 높이로 추가 연장합니다.
5. 버튼 래치를 완전히 잠그고 연장봉이 제자리에 잠겼는지 확인하십시오.
6. 헤드를 원하는 각도로 돌립니다.

참고: 시간이 지나면 래치가 헐거워 질 수 있습니다. 이러한 경우, 래치 **3** 를 열고 나사 **13** 를 손으로 조입니다(**그림 C**). 래치를 손상시킬 수 있으므로 너무 팍 조이지 마십시오.

참고: 시간이 지나면 헤드가 헐거워질 수도 있습니다. 이러한 경우, 라이트 헤드의 뒤쪽에 있는 두 개의 라이트 헤드 나사 **14** (**그림 D**)를 손으로 조입니다.

스탠드 작업등 접기 및 운반(그림 A)

! **주의: 손가락과 손의 끼임을 방지하려면 라이트 헤드를 다시 케이스 속으로 집어 넣을 때 손과 손가락을 피하십시오.**

스탠드 작업등을 운반 위치로 접으려면, 라이트 헤드가 최저 위치에 오고 케이스 안쪽에 놓이도록 먼저 연장봉 **2** 을 접습니다. 래치 **3** 를 잠급니다. 레그 확장 버튼 **6** 을 누르고 레그가 완전히 접힐 때까지 운반용 핸들 **8** 을 위로 밀니다.

! **주의: 손가락과 손이 끼이지 않도록 접을 때 손을 레그에서 멀리 두십시오.**

스탠드 작업등 보관

스탠드 작업등은 핸들/손 받침대 **5** 의 한쪽에 기대어 닫힌 운반 위치(**스탠드 작업등 접기 및 운반** 참조)로 보관하거나 레그를 연장한 상태로 수직으로 세우고 라이트 헤드를 기본으로 완전히 접은 상태로 보관하십시오.

! **주의: 넘어져서 부상이나 라이트 손상을 초래할 수 있으므로 닫힌 위치에 있을 때 라이트를 수직으로 보관하지 마십시오.**

조작

사용 지침

! **경고: 안전 지시 사항과 해당 규정을 항상 준수하십시오.**

! **경고: 심각한 신체 부상의 위험을 줄이려면 공구를 조정하거나 부착물 또는 액세서리를 제거/설치하기 전에 공구를 끄고 배터리 팩을 분리하십시오.** 공구가 갑자기 작동하여 부상을 당할 수 있습니다.

사용법(그림 A)

! **경고: 화상 위험.** 렌즈와 방열판은 사용하는 동안 매우 뜨거워집니다. 화상 및 화재의 위험을 줄이려면, 만지지 말고 작동 중에 가연성 물질에 닿지 않도록 하십시오.

1. 스탠드 작업등은 안정되고 수평한 표면에 세 개의 연장된 레그에 의지한 상태로 놓습니다.
2. 라이트를 켜려면, 전원 버튼 **4** 을 누릅니다. 라이트는 가장 밝은 설정으로 켜집니다. 전원 버튼을 두 번째 누르면 라이트가 중간 밝기로 변경되고, 세 번째 누르면 라이트가 최저 밝기로 바뀝니다. 전원 버튼을 네 번째 누르면 라이트가 꺼집니다.
3. 라이트 헤드의 프레임은 사용해서 라이트 헤드를 필요에 따라 돌립니다.
4. 스탠드 작업등 사용을 끝마칠 때 라이트가 꺼질 때까지 전원 버튼을 누릅니다.

! **경고: 화상 위험.** 라이트 헤드의 방열판 **15** (그림 D) 는 사용하는 동안 뜨거워집니다. 작업등이 켜져 있거나 사용 직후에는 방열판을 만지지 말고 가연성 물질에 닿지 않도록 하십시오. 항상 헤드의 프레임만 사용해서 헤드를 돌리십시오.

배터리 부족 표시기

배터리가 완전히 방전 상태에 다다르면, 라이트가 두 번 깜박인 다음 흐릿해지고 라이트의 밝기가 정상 레벨 아래로 떨어집니다. 라이트는 배터리가 완전히 방전되어 꺼질 때까지 매 45초마다 계속해서 두 번씩 깜박입니다. 표시 시간은 배터리 팩 용량에 따라 다릅니다.

! **경고:** 이러한 경우 작업을 중단하고 배터리를 교체하십시오. 부상의 위험을 최소화하려면, 항상 상황이 허락하는 한 사용 가능한 예비 배터리 또는 보조 등을 준비하십시오.

유지 보수

DeWALT 전동 공구는 최소한의 유지 보수로 장기간에 걸쳐 작업이 가능하도록 설계되어 있습니다. 만족스러운 연속 작동은 적절한 공구 관리와 정기적인 청소로 따라 그 성능이 달라질 수 있습니다.

! **경고: 심각한 신체 부상의 위험을 줄이려면 공구를 조정하거나 부착물 또는 액세서리를 제거/설치하기 전에 공구를 끄고 배터리 팩을 분리하십시오.** 공구가 갑자기 작동하여 부상을 당할 수 있습니다.

충전기 및 배터리 팩은 수리할 수 없습니다.

이 라이트에 포함되어 있는 광원은 제조업체, 서비스 대리점 또는 이에 준하는 자격을 가진 수리 기술자가 교체해야 합니다.



윤활방법

전동 공구는 별도의 윤활 작업이 필요하지 않습니다.



청소

! **경고:** 통풍구 속이나 주변에 먼지가 쌓여있는 것이 보이면 가능한 한 자주 건조한 공기를 이용하여 몸체에서 먼지를 불어내십시오. 이 절차를 수행할 때에는 승인된 눈 보호 장구 및 승인된 방진 마스크를 착용하십시오.

! **경고:** 공구의 금속 이외 부품을 청소할 때는 용제 등의 강력한 화학약품을 절대 사용하지 마십시오. 그렇지 않으면 이러한 부분에 사용된 재료가 약해질 수 있습니다. 헹굼에 물과 순한 비누를 적서 닦아주십시오. 공구 내부에 액체를 넣거나 공구 부품을 액체에 담그는 행동은 절대 금물입니다.

선택 액세서리

! **경고:** DeWALT에서 제공하지 않은 액세서리는 본 제품에서 테스트되지 않았으므로 본 제품에서 이러한 액세서리를 사용하면 위험할 수 있습니다. 신체 부상의 위험을 줄이려면 본 제품에 알맞은 액세서리만 사용해야 합니다.

해당 액세서리에 대한 자세한 정보는 판매 대리점으로 문의하십시오.

환경 보호



분리 수거. 이 기호가 표시된 제품과 배터리를 일반 가정용 쓰레기와 함께 처리하면 안됩니다. 제품과 배터리에는 재활용되거나 재사용되고 고철 자원에 대한 수요를 줄일 수 있는 자재가 포함되어 있습니다. 전기 제품과 배터리는 지역 규정에 따라 재활용하십시오. 자세한 내용은 www.2helpU.com에서 찾아 볼 수 있습니다.

충전용 배터리 팩

이전에 쉽게 수행했던 작업에 대해 충분한 힘을 발휘하지 못하는 배터리 팩은 재충전해야 합니다. 배터리 수명이 다하면 환경 보호 차원에서 배터리 팩을 폐기하십시오.

- 배터리 팩을 완전히 사용하고 난 후 공구에서 분리하십시오.
- 리튬이온 셀은 재활용할 수 있습니다. 이 전지를 판매점이나 지역 재활용 센터로 가져가십시오. 수집된 배터리 팩은 재활용되거나 적절히 폐기됩니다.

