
DEWALT®

XR LI-ION

www.DEWALT.com

DCH333

English (<i>original instructions</i>)	4
简体中文	15
繁體中文	26
한국어	36

Fig. A 圖 A
图A 그림 A

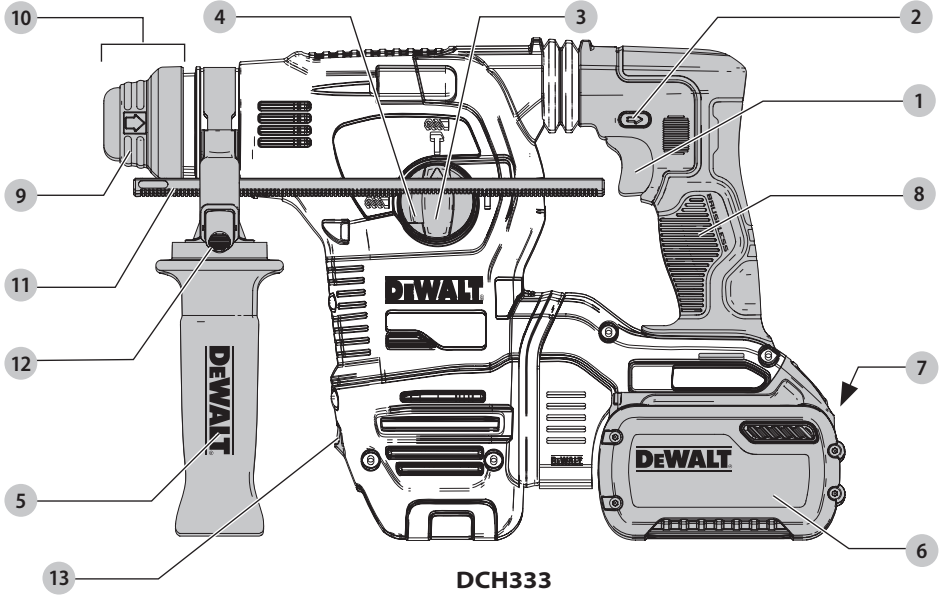


Fig. B
图 B
圖 B
그림 B

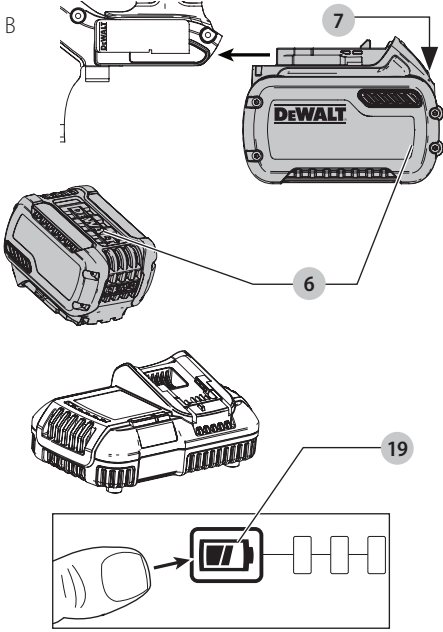


Fig. C
图 C
圖 C
그림 C

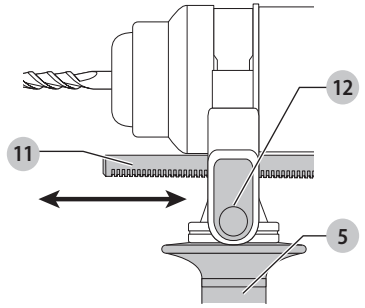


Fig. D
图 D
圖 D
그림 D

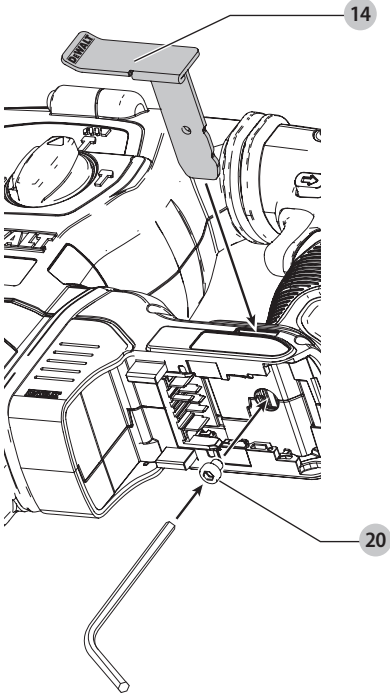


Fig. E
图 E
圖 E
그림 E

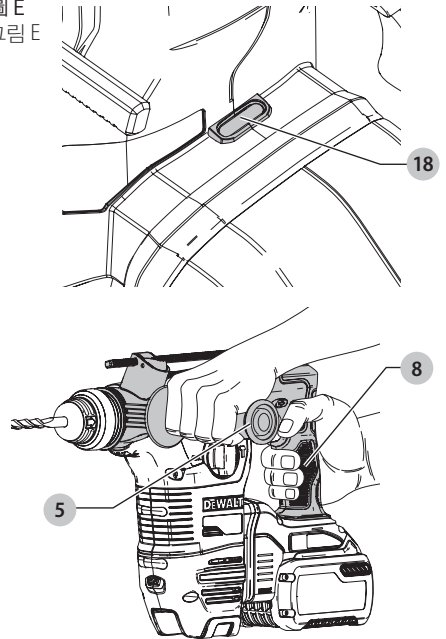
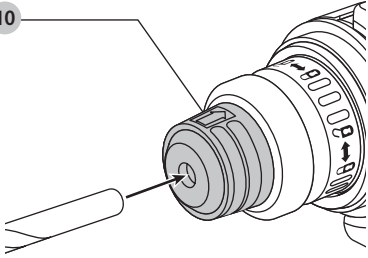
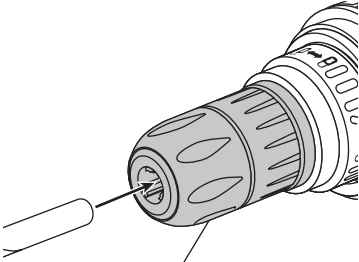


Fig. F
图 F
圖 F
그림 F

10



16



HEAVY-DUTY CORDLESS ROTARY HAMMERDRILL

DCH333

Congratulations!

You have chosen a DEWALT tool. Years of experience, thorough product development and innovation make DEWALT one of the most reliable partners for professional power tool users.

Technical Data

			DCH333
Voltage	V_{DC}		54(60 Max)
No-load speed	min^{-1}		0–1000
No-load Impact rate	bpm		0–4480
Single impact energy (EPTA 05/2009)	J		3.5
Maximum drilling range in steel/wood/concrete	mm		13/30/30
Tool holder			SDS-Plus
Collar diameter	mm		54
Battery Type			Li-Ion
Weight (without battery pack)	kg		3.7

Batteries				Chargers / Charge Times (Minutes)							
Cat#	V_{DC}	Ah	Weight(kg)	DCB104	DCB107	DCB112 DCB1102	DCB115 DCB1104	DCB117 DCB1112	DCB118	DCB132	
DCB546/DCB606	18/54 (20/60 Max)	6.0/2.0	1.08	60	270	170	90	40	60	90	
DCB547/DCB609/ DCB609G	18/54 (20/60 Max)	9.0/3.0	1.46	75*	420	270	135*	60	75*	135*	
DCB548/DCB612	18/54 (20/60 Max)	12.0/4.0	1.46	120	540	350	180	80	120	180	
DCB549/DCB615	18/54 (20/60 Max)	15.0/5.0	2.12	125	730	450	230	90	125	230	
DCB180	18 (20 Max)	3.0	0.62	45	140	90	45	45	45	45	
DCB181	18 (20 Max)	1.5	0.35	22	70	45	22	22	22	22	
DCB182/DCB204	18 (20 Max)	4.0	0.61	60/40**	185	120	60	60/40**	60/40**	60	
DCB183/DCB203	18 (20 Max)	2.0	0.40	30	90	60	30	30	30	30	
DCB184/DCB184G/ DCB205	18 (20 Max)	5.0	0.62	75/50**	240	150	75	75/50**	75/50**	75	
DCB187	18 (20 Max)	3.0	0.54	45	140	90	45	45	45	45	
DCB189/DCB240	18 (20 Max)	4.0	0.54	60	185	120	60	60	60	60	
DCB186	18 (20 Max)	6.0	0.95	60	270	170	90	60	60	90	
DCB208	18 (20 Max)	8.0	0.95	70	360	240	120	70	70	120	
DCBP034	18 (20 Max)	1.7	0.32	27	82	50	27	27	27	27	
DCBP520	18 (20 Max)	5.0	0.75	50	240	150	75	50	50	75	

*Date code 201811475B or later

**Date code 201536 or later

***Battery charge times matrix provided for guidance only; charge times will vary depending on temperature and condition of batteries.



WARNING: To reduce the risk of injury, read the instruction manual.

Definitions: Safety Guidelines

The definitions below describe the level of severity for each signal word. Please read the manual and pay attention to these symbols.



DANGER: Indicates an imminently hazardous situation which, if not avoided, **will** result in **death or serious injury**.



WARNING: Indicates a potentially hazardous situation which, if not avoided, **could** result in **death or serious injury**.



CAUTION: Indicates a potentially hazardous situation which, if not avoided, **may** result in **minor or moderate injury**.

NOTICE: Indicates a practice **not related to personal injury** which, if not avoided, **may** result in **property damage**.



Denotes risk of electric shock.



Denotes risk of fire.

General Power Tool Safety Warnings



WARNING: Read all safety warnings and all instructions. Failure to follow the warnings and instructions may result in electric shock, fire and/or serious injury.

SAVE ALL WARNINGS AND INSTRUCTIONS FOR FUTURE REFERENCE

The term "power tool" in the warnings refers to your mains-operated (corded) power tool or battery-operated (cordless) power tool.

1) Work Area Safety

- Keep work area clean and well lit.** Cluttered or dark areas invite accidents.
- Do not operate power tools in explosive atmospheres, such as in the presence of flammable liquids, gases or dust.** Power tools create sparks which may ignite the dust or fumes.
- Keep children and bystanders away while operating a power tool.** Distractions can cause you to lose control.

2) Electrical Safety

- Power tool plugs must match the outlet. Never modify the plug in any way. Do not use any adapter plugs with earthed (grounded) power tools.** Unmodified plugs and matching outlets will reduce risk of electric shock.
- Avoid body contact with earthed or grounded surfaces such as pipes, radiators, ranges and refrigerators.** There is an increased risk of electric shock if your body is earthed or grounded.

- Do not expose power tools to rain or wet conditions.** Water entering a power tool will increase the risk of electric shock.
- Do not abuse the cord. Never use the cord for carrying, pulling or unplugging the power tool. Keep cord away from heat, oil, sharp edges or moving parts.** Damaged or entangled cords increase the risk of electric shock.
- When operating a power tool outdoors, use an extension cord suitable for outdoor use.** Use of a cord suitable for outdoor use reduces the risk of electric shock.
- If operating a power tool in a damp location is unavoidable, use a residual current device (RCD) protected supply.** Use of an RCD reduces the risk of electric shock.

3) Personal Safety

- Stay alert, watch what you are doing and use common sense when operating a power tool. Do not use a power tool while you are tired or under the influence of drugs, alcohol or medication.** A moment of inattention while operating power tools may result in serious personal injury.
- Use personal protective equipment. Always wear eye protection.** Protective equipment such as a dust mask, non-skid safety shoes, hard hat or hearing protection used for appropriate conditions will reduce personal injuries.
- Prevent unintentional starting. Ensure the switch is in the off-position before connecting to power source and/or battery pack, picking up or carrying the tool.** Carrying power tools with your finger on the switch or energising power tools that have the switch on invites accidents.
- Remove any adjusting key or wrench before turning the power tool on.** A wrench or a key left attached to a rotating part of the power tool may result in personal injury.
- Do not overreach. Keep proper footing and balance at all times.** This enables better control of the power tool in unexpected situations.
- Dress properly. Do not wear loose clothing or jewellery. Keep your hair and clothing away from moving parts.** Loose clothes, jewellery or long hair can be caught in moving parts.
- If devices are provided for the connection of dust extraction and collection facilities, ensure these are connected and properly used.** Use of dust collection can reduce dust-related hazards.
- Do not let familiarity gained from frequent use of tools allow you to become complacent and ignore tool safety principles.** A careless action can cause severe injury within a fraction of a second.

4) Power Tool Use and Care

- Do not force the power tool. Use the correct power tool for your application.** The correct power tool

will do the job better and safer at the rate for which it was designed.

- b) **Do not use the power tool if the switch does not turn it on and off.** Any power tool that cannot be controlled with the switch is dangerous and must be repaired.
- c) **Disconnect the plug from the power source and/ or remove the battery pack, if detachable, from the power tool before making any adjustments, changing accessories, or storing power tools.** Such preventive safety measures reduce the risk of starting the power tool accidentally.
- d) **Store idle power tools out of the reach of children and do not allow persons unfamiliar with the power tool or these instructions to operate the power tool.** Power tools are dangerous in the hands of untrained users.
- e) **Maintain power tools and accessories. Check for misalignment or binding of moving parts, breakage of parts and any other condition that may affect the power tool's operation. If damaged, have the power tool repaired before use.** Many accidents are caused by poorly maintained power tools.
- f) **Keep cutting tools sharp and clean.** Properly maintained cutting tools with sharp cutting edges are less likely to bind and are easier to control.
- g) **Use the power tool, accessories and tool bits, etc. in accordance with these instructions, taking into account the working conditions and the work to be performed.** Use of the power tool for operations different from those intended could result in a hazardous situation.
- h) **Keep handles and grasping surfaces dry, clean and free from oil and grease.** Slippery handles and grasping surfaces do not allow for safe handling and control of the tool in unexpected situations.

5) Battery Tool Use and Care

- a) **Recharge only with the charger specified by the manufacturer.** A charger that is suitable for one type of battery pack may create a risk of fire when used with another battery pack.
- b) **Use power tools only with specifically designated battery packs.** Use of any other battery packs may create a risk of injury and fire.
- c) **When battery pack is not in use, keep it away from other metal objects, like paper clips, coins, keys, nails, screws or other small metal objects, that can make a connection from one terminal to another.** Shorting the battery terminals together may cause burns or a fire.
- d) **Under abusive conditions, liquid may be ejected from the battery; avoid contact. If contact accidentally occurs, flush with water. If liquid contacts eyes, additionally seek medical help.** Liquid ejected from the battery may cause irritation or burns.
- e) **Do not use a battery pack or tool that is damaged or modified.** Damaged or modified batteries may exhibit unpredictable behaviour resulting in fire, explosion or risk of injury.

- f) **Do not expose a battery pack or tool to fire or excessive temperature.** Exposure to fire or temperature above 130 °C may cause explosion.
- g) **Follow all charging instructions and do not charge the battery pack or tool outside the temperature range specified in the instructions.** Charging improperly or at temperatures outside the specified range may damage the battery and increase the risk of fire.

6) Service

- a) **Have your power tool serviced by a qualified repair person using only identical replacement parts.** This will ensure that the safety of the power tool is maintained.
- b) **Never service damaged battery packs.** Service of battery packs should only be performed by the manufacturer or authorized service providers.

Additional Safety Instructions for Rotary Hammers

- **Wear ear protectors.** Exposure to noise can cause hearing loss.
- **Use auxiliary handles supplied with the tool.** Loss of control can cause personal injury.
- **Hold power tool by insulated gripping surfaces, when performing an operation where the cutting accessory may contact hidden wiring.** Cutting accessory contacting a "live" wire may make exposed metal parts of the power tool "live" and could give the operator an electric shock.
- **Use clamps or other practical way to secure and support the workpiece to a stable platform.** Holding the work by hand or against your body is unstable and may lead to loss of control.
- **Wear safety goggles or other eye protection.** Hammering operations cause chips to fly. Flying particles can cause permanent eye damage. Wear a dust mask or respirator for applications that generate dust. Ear protection may be required for most applications.
- **Keep a firm grip on the tool at all times. Do not attempt to operate this tool without holding it with both hands. It is recommended that the side handle be used at all times.** Operating this tool with one hand will result in loss of control. Breaking through or encountering hard materials such as re-bar may be hazardous as well. Tighten the side handle securely before use.
- **Do not operate this tool for long periods of time. Vibration caused by hammer action may be harmful to your hands and arms. Use gloves to provide extra cushion and limit exposure by taking frequent rest periods.**
- **Do not recondition bits yourself. Chisel reconditioning should be done by an authorized specialist. Improperly reconditioned chisels could cause injury.**
- **Wear gloves when operating tool or changing bits. Accessible metal parts on the tool and bits may get extremely hot during operation. Small bits of broken material may damage bare hands.**
- **Never lay the tool down until the bit has come to a complete stop. Moving bits could cause injury.**

- Do not strike jammed bits with a hammer to dislodge them. Fragments of metal or material chips could dislodge and cause injury.
- Slightly worn chisels can be resharpened by grinding.
- Keep the power cord away from the rotating bit. Do not wrap the cord around any part of your body. An electric cord wrapped around a spinning bit may cause personal injury and loss of control.

Residual Risks

The following risks are inherent to the use of rotary hammers:

- Injuries caused by touching the rotating parts or hot parts of the tool.

In spite of the application of the relevant safety regulations and the implementation of safety devices, certain residual risks cannot be avoided. These are:

- Impairment of hearing.
- Risk of squeezing fingers when changing the accessory.
- Health hazards caused by breathing dust developed when working in concrete and/or masonry.

Electrical Safety

The electric motor has been designed for one voltage only. Always check that the battery pack voltage corresponds to the voltage on the rating plate. Also make sure that the voltage of your charger corresponds to that of your mains.



Your DEWALT charger is double insulated in accordance with IEC60335; therefore no earth wire is required.

If the supply cord is damaged, it must be replaced by a specially prepared cord available through the DEWALT service organisation.

SAVE THESE INSTRUCTIONS

Chargers

DEWALT chargers require no adjustment and are designed to be as easy as possible to operate.

Important Safety Instructions for All Battery Chargers

SAVE THESE INSTRUCTIONS: This manual contains important safety and operating instructions for compatible battery chargers (refer to **Technical Data**).

- Before using charger, read all instructions and cautionary markings on charger, battery pack, and product using battery pack.



WARNING: Shock hazard. Do not allow any liquid to get inside charger. Electric shock may result.



WARNING: We recommend the use of a residual current device with a residual current rating of 30mA or less.



CAUTION: Burn hazard. To reduce the risk of injury, charge only DEWALT rechargeable batteries. Other types of batteries may burst causing personal injury and damage.



CAUTION: Children should be supervised to ensure that they do not play with the appliance.

NOTICE: Under certain conditions, with the charger plugged into the power supply, the exposed charging contacts inside the charger can be shorted by foreign material. Foreign materials of a conductive nature such as, but not limited to, steel wool, aluminum foil or any buildup of metallic particles should be kept away from charger cavities. Always unplug the charger from the power supply when there is no battery pack in the cavity. Unplug charger before attempting to clean

- **DO NOT attempt to charge the battery pack with any chargers other than the ones in this manual.** The charger and battery pack are specifically designed to work together.
- **These chargers are not intended for any uses other than charging DEWALT rechargeable batteries.** Any other uses may result in risk of fire, electric shock or electrocution.
- **Do not expose charger to rain or snow.**
- **Pull by plug rather than cord when disconnecting charger.** This will reduce risk of damage to electric plug and cord.
- **Make sure that cord is located so that it will not be stepped on, tripped over, or otherwise subjected to damage or stress.**
- **Do not use an extension cord unless it is absolutely necessary.** Use of improper extension cord could result in risk of fire, electric shock, or electrocution.
- **Do not place any object on top of charger or place the charger on a soft surface that might block the ventilation slots and result in excessive internal heat.** Place the charger in a position away from any heat source. The charger is ventilated through slots in the top and the bottom of the housing.
- **Do not operate charger with damaged cord or plug—** have them replaced immediately.
- **Do not operate charger if it has received a sharp blow, been dropped, or otherwise damaged in any way.** Take it to an authorised service centre.
- **Do not disassemble charger; take it to an authorised service centre when service or repair is required.** Incorrect reassembly may result in a risk of electric shock, electrocution or fire.
- **In case of damaged power supply cord the supply cord must be replaced immediately by the manufacturer, its service agent or similar qualified person to prevent any hazard.**
- **Disconnect the charger from the outlet before attempting any cleaning. This will reduce the risk of electric shock.** Removing the battery pack will not reduce this risk.
- **NEVER attempt to connect two chargers together.**
- **The charger is designed to operate on standard 220-240V household electrical power. Do not attempt to use it on any other voltage.** This does not apply to the vehicular charger.

Using an Extension Cable


An extension cord should not be used unless absolutely necessary. Use an approved extension cable suitable for

the power input of your charger (see **Technical Data**). The minimum conductor size is 1 mm²; the maximum length is 30 m.

When using a cable reel, always unwind the cable completely.

Charging a Battery (Fig. B)

NOTE: Refer to the label near indicator light(s) on charger for on/off and blink patterns. Older chargers may have additional information and/or may not have a yellow indicator light, being equipped with only a single red indicator light.













1. Plug the charger into an appropriate outlet before inserting battery pack.
2. Insert and fully seat battery pack . The left indicator light will continuously blink red to indicate that the charging process has started. For two-stage chargers, this is indicative of Stage 1 charging during which the battery pack is charged to a majority of its capacity.
3. Charging is complete for a single-stage charger when the left indicator light remains continuously red and the right indicator light stays unlit. For a two-stage charger, the left indicator light remains continuously red and the right indicator light continuously blinks red to indicate stage 2 charging during which the battery pack is topped off to its full capacity. Stage 2 charging is complete when both indicator lights remain continuously red. After charging is complete, the battery pack may be removed and used, or left in the charger.

The charger will not charge a faulty battery pack. The charger refusing to light could indicate a problem with the charger or a faulty battery pack. Discontinue use and take both to an authorised service centre.

NOTE: To remove the battery pack, some chargers require the battery pack release button to be pressed.

Charger Operation

Refer to the indicators below for the charge status of the battery pack.

Indicators			
	Stage 1 Charging		
	Stage 2 Charging		
	Fully Charged		
	Hot/Cold Pack Delay*		

*The red light will continue to blink, but a yellow indicator light will be illuminated during this operation. Once the battery pack has reached an appropriate temperature, the yellow light will turn off and the charger will resume the charging procedure.

The compatible charger(s) will not charge a faulty battery pack. The charger will indicate faulty battery by refusing to light or by displaying problem pack or charger blink pattern.

NOTE: This could also mean a problem with a charger.

If the charger indicates a problem, take the charger and battery pack to be tested at an authorised service centre.

Hot/Cold Pack Delay

When the charger detects a battery pack that is too hot or too cold, it automatically starts a Hot/Cold Pack Delay, suspending charging until the battery pack has reached an appropriate temperature. The charger then automatically switches to the pack charging mode. This feature ensures maximum battery pack life.

A cold battery pack will charge at a slower rate than a warm battery pack. The battery pack will charge at that slower rate throughout the entire charging cycle and will not return to maximum charge rate even if the battery pack warms.

The DCB118 charger is equipped with an internal fan designed to cool the battery pack. The fan will turn on automatically when the battery pack needs to be cooled. Never operate the charger if the fan does not operate properly or if ventilation slots are blocked. Do not permit foreign objects to enter the interior of the charger.

Electronic Protection System


XR Li-Ion tools are designed with an Electronic Protection System that will protect the battery pack against overloading, overheating or deep discharge.

The tool will automatically turn off if the Electronic Protection System engages. If this occurs, place the lithium-ion battery pack on the charger until it is fully charged.

Wall Mounting

These chargers are designed to be wall mountable or to sit upright on a table or work surface. If wall mounting, locate the charger within reach of an electrical outlet, and away from a corner or other obstructions which may impede air flow. Use the back of the charger as a template for the location of the mounting screws on the wall. Mount the charger securely using drywall screws (purchased separately) at least 25.4 mm long with a screw head diameter of 7–9 mm, screwed into wood to an optimal depth leaving approximately 5.5 mm of the screw exposed. Align the slots on the back of the charger with the exposed screws and fully engage them in the slots.

Charger Cleaning Instructions

 **WARNING: Shock hazard. Disconnect the charger from the AC outlet before cleaning.** Dirt and grease may be removed from the exterior of the charger using a cloth or soft non-metallic brush. Do not use water or any cleaning solutions. Never let any liquid get inside the tool; never immerse any part of the tool into a liquid.

Battery Packs

Important Safety Instructions for All Battery Packs

When ordering replacement battery packs, be sure to include catalogue number and voltage.

The battery pack is not fully charged out of the carton. Before using the battery pack and charger, read the safety instructions below. Then follow charging procedures outlined.

READ ALL INSTRUCTIONS

- **Do not charge or use battery in explosive atmospheres, such as in the presence of flammable liquids, gases or dust.** Inserting or removing the battery from the charger may ignite the dust or fumes.
- **Never force battery pack into charger. Do not modify battery pack in any way to fit into a non-compatible charger as battery pack may rupture causing serious personal injury.**
- Charge the battery packs only in DEWALT chargers.
- **DO NOT splash or immerse in water or other liquids.**
- **Do not store or use the tool and battery pack in locations where the temperature may reach or exceed 40 °C (104 °F) (such as outside sheds or metal buildings in summer).**
- **Do not incinerate the battery pack even if it is severely damaged or is completely worn out.** The battery pack can explode in a fire. Toxic fumes and materials are created when lithium-ion battery packs are burned.
- **If battery contents come into contact with the skin, immediately wash area with mild soap and water.** If battery liquid gets into the eye, rinse water over the open eye for 15 minutes or until irritation ceases. If medical attention is needed, the battery electrolyte is composed of a mixture of liquid organic carbonates and lithium salts.
- **Contents of opened battery cells may cause respiratory irritation.** Provide fresh air. If symptoms persists, seek medical attention.



WARNING: Burn hazard. Battery liquid may be flammable if exposed to spark or flame.



WARNING: Never attempt to open the battery pack for any reason. If battery pack case is cracked or damaged, do not insert into charger. Do not crush, drop or damage battery pack. Do not use a battery pack or charger that has received a sharp blow, been dropped, run over or damaged in any way (i.e., pierced with a nail, hit with a hammer, stepped on). Electric shock or electrocution may result. Damaged battery packs should be returned to service centre for recycling.



WARNING: Fire hazard. Do not store or carry the battery pack so that metal objects can contact exposed battery terminals. For example, do not place the battery pack in aprons, pockets, tool boxes, product kit boxes, drawers, etc., with loose nails, screws, keys, etc.



CAUTION: When not in use, place tool on its side on a stable surface where it will not cause a tripping or falling hazard. Some tools with large battery packs will stand upright on the battery pack but may be easily knocked over.

Transportation



WARNING: Fire hazard. Transporting batteries can possibly cause fire if the battery terminals inadvertently come in contact with conductive materials. When transporting batteries, make sure that the battery

terminals are protected and well insulated from materials that could contact them and cause a short circuit.

DEWALT batteries comply with all applicable shipping regulations as prescribed by industry and legal standards which include UN Recommendations on the Transport of Dangerous Goods; International Air Transport Association (IATA) Dangerous Goods Regulations, International Maritime Dangerous Goods (IMDG) Regulations, and the European Agreement Concerning The International Carriage of Dangerous Goods by Road (ADR). Lithium-ion cells and batteries have been tested to section 38.3 of the UN Recommendations on the Transport of Dangerous Goods Manual of Tests and Criteria.

In most instances, shipping a DEWALT battery pack will be excepted from being classified as a fully regulated Class 9 Hazardous Material. In general, only shipments containing a lithium-ion battery with an energy rating greater than 100 Watt Hours (Wh) will require being shipped as fully regulated Class 9. All lithium-ion batteries have the Watt Hour rating marked on the pack. Furthermore, due to regulation complexities, DEWALT does not recommend air shipping lithium-ion battery packs alone regardless of Watt Hour rating. Shipments of tools with batteries (combo kits) can be air shipped as excepted if the Watt Hour rating of the battery pack is no greater than 100 Whr. Regardless of whether a shipment is considered excepted or fully regulated, it is the shipper's responsibility to consult the latest regulations for packaging, labeling/marketing and documentation requirements.

The information provided in this section of the manual is provided in good faith and believed to be accurate at the time the document was created. However, no warranty, expressed or implied, is given. It is the buyer's responsibility to ensure that its activities comply with the applicable regulations.

Transporting the FLEXVOLT™ Battery

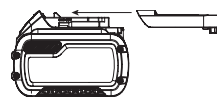
The DEWALT FLEXVOLT™ battery has two modes: **Use** and **Transport**.

Use Mode: When the FLEXVOLT™ battery stands alone or is in a DEWALT 18V (20V Max) product, it will operate as an 18V (20V Max) battery. When the FLEXVOLT™ battery is in a 54V (60V Max) or a 108V (120V Max) (two 54V (60V Max) batteries) product, it will operate as a 54V (60V Max) battery.

Transport Mode: When the cap is attached to the FLEXVOLT™ battery, the battery is in Transport mode. Keep the cap for shipping.

When in Transport mode, strings of cells are electrically disconnected within the pack resulting in 3 batteries with a lower Watt hour (Wh) rating as compared to 1 battery with a higher Watt hour rating. This increased quantity of 3 batteries with the lower Watt hour rating can exempt the pack from certain shipping regulations that are imposed upon the higher Watt hour batteries.

For example, the Transport Wh rating might indicate 3 x 36 Wh, meaning 3



Example of Use and Transport Label Marking

 **Use: 108 Wh**
 **Transport: 3x36 Wh**

batteries of 36 Wh each. The Use Wh rating might indicate 108 Wh (1 battery implied).

Storage Recommendations

1. The best storage place is one that is cool and dry away from direct sunlight and excess heat or cold. For optimum battery performance and life, store battery packs at room temperature when not in use.
2. For long storage, it is recommended to store a fully charged battery pack in a cool, dry place out of the charger for optimal results.

NOTE: Battery packs should not be stored completely depleted of charge. The battery pack will need to be recharged before use.

Labels on Charger and Battery Pack

In addition to the pictographs used in this manual, the labels on the charger and the battery pack may show the following pictographs:



Read instruction manual before use.



See **Technical Data** for charging time.



Do not probe with conductive objects.



Do not charge damaged battery packs.



Do not expose to water.



Have defective cords replaced immediately.



Charge only between 4 °C and 40 °C.



Only for indoor use.



Discard the battery pack with due care for the environment.



Charge DEWALT battery packs only with designated DEWALT chargers. Charging battery packs other than the designated DEWALT batteries with a DEWALT charger may make them burst or lead to other dangerous situations.



Do not incinerate the battery pack.



USE (without transport cap). Example: Wh rating indicates 108 Wh (1 battery with 108 Wh).



TRANSPORT (with built-in transport cap). Example: Wh rating indicates 3 x 36 Wh (3 batteries of 36 Wh).

Battery Type

The DCH333 operate on a 54 volt (60V Max) battery pack. Refer to **Technical Data** for more information.

Package Contents

The package contains:

- 1 Cordless rotary hammerdrill
 - 1 Side handle and depth rod
 - 1 Charger (not included with N and NT versions)
Li-Ion battery pack (not included with N and NT versions)
 - 1 Kit box
 - 1 Instruction manual
- Check for damage to the tool, parts or accessories which may have occurred during transport.
 - Take the time to thoroughly read and understand this manual prior to operation.

Markings on Tool

The following pictograms are shown on the tool:



Read instruction manual before use.



Wear ear protection.



Wear eye protection.



Visible radiation. Do not stare into light.

Date Code Position

The date code, which also includes the year of manufacture, is printed into the housing.

Example:

2024 XX XX

Year of Manufacture

Description (Fig. A, D)



WARNING: Never modify the power tool or any part of it. Damage or personal injury could result.

- | | |
|--------------------------|-----------------------------|
| 1 Variable speed switch | 11 Depth rod |
| 2 Forward/reverse button | 12 Depth rod release button |
| 3 Mode selector dial | 13 Worklight |
| 4 Mode selector button | 14 Belt hook |
| 5 Side handle | |
| 6 Battery pack | |
| 7 Release button | |
| 8 Main handle | |
| 9 SDS-Plus tool holder | |
| 10 Sleeve | |

Intended Use

Your cordless rotary hammerdrill has been designed for professional drilling and hammerdrilling applications, as well as screwdriving and chipping applications.

DO NOT use under wet conditions or in the presence of flammable liquids or gases.

Your cordless rotary hammerdrill is a professional power tool.

DO NOT let children come into contact with the tool.

Supervision is required when inexperienced operators use this tool.

- **Young children and the infirm.** This appliance is not intended for use by young children or infirm persons without supervision.
- This product is not intended for use by persons (including children) suffering from diminished physical, sensory or mental abilities; lack of experience, knowledge or skills unless they are supervised by a person responsible for their safety. Children should never be left alone with this product.

Overload Clutch

In case of jamming of a drill bit, the drive to the drill spindle is interrupted. Because of the resulting forces, always hold the tool with both hands and take a firm stance. After the overload, release and depress the trigger to re-engage drive.

Mechanical Clutch

These tools are fitted with a mechanical clutch. The indication that the clutch has activated will be an audible ratcheting together with increased vibration.

Anti-Rotation System (Fig. E)

In addition to the clutch, an anti-rotation system offers increased user comfort and safety through an on-board, anti-rotation technology capable of detecting if the user loses control of the hammer. When a jam is detected, the torque and speed are reduced instantly. This feature prevents self rotation of the tool reducing the occurrence of wrist injuries.

The anti-rotation system indicator **18** will illuminate to indicate status.

Indicator	Diagnosis	Solution
OFF	Tool is functioning normally	Follow all warnings and instructions when operating the tool.
SOLID	Anti-Rotation System has been activated (ENGAGED)	With the tool properly supported, release trigger. The tool will function normally when the trigger is depressed again and the indicator light will go out

Active Vibration Control

For best vibration control, hold the tool as described in **Proper Hand Position**.

The active vibration control neutralises rebound vibration from the hammer mechanism. Lowering hand and arm vibration, it allows more comfortable use for longer periods of time and extends the life of the unit.

The hammer only needs enough pressure to engage the active vibration control. Applying too much pressure will not make the tool drill or chip faster and active vibration control will not engage.

ASSEMBLY AND ADJUSTMENTS



WARNING: To reduce the risk of serious personal injury, turn tool off and disconnect battery pack before making any adjustments or removing/installing attachments/accessories or when making repair. An accidental start-up can cause injury.



WARNING: Use only DEWALT battery packs and chargers.

Inserting and Removing the Battery Pack from the Tool (Fig. B)

NOTE: Make sure your battery pack **6** is fully charged.

To Install the Battery Pack into the Tool Handle

1. Align the battery pack **6** with the rails inside the tool's handle (Fig. B).
2. Slide it into the handle until the battery pack is firmly seated in the tool and ensure that you hear the lock snap into place.

To Remove the Battery Pack from the Tool

1. Press the release button **7** and firmly pull the battery pack out of the tool handle.
2. Insert battery pack into the charger as described in the charger section of this manual.

Fuel Gauge Battery Packs

Some DEWALT battery packs include a fuel gauge which consists of three green LED lights that indicate the level of charge remaining in the battery pack.

To activate the fuel gauge, press and hold the fuel gauge button **19**. A combination of the three green LED lights will illuminate designating the level of charge left. When the level of charge in the battery is below the usable limit, the fuel gauge will not illuminate and the battery will need to be recharged.

NOTE: The fuel gauge is only an indication of the charge left on the battery pack. It does not indicate tool functionality and is subject to variation based on product components, temperature and end-user application.

Side Handle (Fig. A)



WARNING: To reduce the risk of personal injury, ALWAYS operate the tool with the side handle properly installed. Failure to do so may result in the side handle slipping during tool operation and subsequent loss of control. Hold tool with both hands to maximize control.

The side handle **5** clamps to the front of the gear case and may be rotated 360° to permit right- or left-hand use. The side handle must be tightened sufficiently to resist the twisting action of the tool if the accessory binds or stalls. Be sure to grip the side handle at the far end to control the tool during a stall.

To loosen side handle, rotate counterclockwise.

To Adjust the Depth Rod (Fig. C)

1. Push in and hold the depth rod release button **12** on the side handle.
2. Move the depth rod **11** so the distance between the end of the rod and the end of the bit equals the desired drilling depth.
3. Release the button to lock rod into position. When drilling with the depth rod, stop when end of rod reaches surface of material.

Belt Hook (Fig. D)

Optional Accessory



WARNING: To reduce the risk of serious personal injury, **ONLY** use the tool's belt hook to hang the tool from a work belt. **DO NOT** use the belt hook for tethering or securing the tool to a person or object during use. **DO NOT** suspend tool overhead or suspend objects from the belt hook.



WARNING: To reduce the risk of serious personal injury, ensure the screw holding the belt hook is secure.

IMPORTANT: When attaching or replacing the belt hook, only use the screw **20** that is provided with the belt hook. Be sure to securely tighten the screw.

To accommodate left- or right- handed users the belt hook **14** can be attached to the tool using one of the slots below the main handle on left or right side and using the provided screw **20** installed on the underside of the main handle. If the belt hook is not desired at all, it can be removed from the tool.

To Install the Belt Hook

1. Insert the hook into one of the slots, on left or right side, below the main handle.
2. Install the screw on the underside of the main handle. Be sure to securely tighten the screw.

To Remove or Move the Belt Hook

1. Remove the screw located on the underside of the main handle.
2. Pull the belt hook away from the main handle.
3. Insert the hook into one of the slots, on left or right side, below the main handle, or install the screw on the underside of the main handle. Be sure to securely tighten the screw.

Bit and Bit Holder



WARNING: Burn Hazard. **ALWAYS** wear gloves when changing bits. Accessible metal parts on the tool and bits may get extremely hot during operation. Small bits of broken material may damage bare hands.

The hammerdrill can be fitted with different bits depending on the desired application. **Use sharp drill bits only.**

Bit Recommendations

- For wood, use twist bits, spade bits, power auger bits or hole saws.

- For metal, use high-speed steel twist drill bits or hole saws. Use a cutting lubricant when drilling metals. The exceptions are cast iron and brass which should be drilled dry.
- For masonry, such as brick, cement, cinder block, etc., use carbide-tipped bits rated for percussion drilling.

SDS-Plus Bit Holder (Fig. F)

NOTE: Special adapters are needed to use the SDS-plus tool holder with straight shank bits and hexagonal screwdriver bits. Refer to **Optional Accessories**.

To insert a drill bit or other accessory:

1. Insert the shank of the bit about 19 mm into SDS-Plus tool holder.
2. Push and rotate bit until it locks in place. The bit will be securely held.
3. To release bit, pull the sleeve **10** back and remove the bit.

OPERATION

Instructions for Use



WARNING: Always observe the safety instructions and applicable regulations.



WARNING: To reduce the risk of serious personal injury, **turn tool off and disconnect battery pack before making any adjustments or removing/installing attachments/accessories or when making repair.** An accidental start-up can cause injury.

Proper Hand Position (Fig. E)



WARNING: To reduce the risk of serious personal injury, **ALWAYS** use proper hand position as shown.



WARNING: To reduce the risk of serious personal injury, **ALWAYS** hold securely in anticipation of a sudden reaction.




Proper hand position requires one hand on the main handle **8**, with the other hand on the side handle **5**.

Operation Modes (Fig. A)



WARNING: Do not select the operating mode when the tool is running.

Your tool is equipped with a mode selector dial **3** to select the mode appropriate to desired operation.

Symbol	Mode	Application
	Rotary Drilling	Screwdriving Drilling into steel, wood and plastics
	Rotary Hammering	Drilling into concrete and masonry
	Hammering only	Light chipping

To select an operating mode:

1. Depress the mode selector release button **4**.

2. Rotate the mode selector dial so that the arrow points to the symbol corresponding with the desired mode.

NOTE: The mode selector **3** must be in rotary drilling, rotary hammering or hammering only mode at all times. There are no operable positions in between. It may be necessary to briefly run the motor after having changed from 'hammering only' to 'rotary' modes in order to align the gears.

Performing an Application (Fig. A)

WARNING: TO REDUCE THE RISK OF PERSONAL INJURY, ALWAYS ensure workpiece is anchored or clamped firmly. If drilling thin material, use a wood "back-up" block to prevent damage to the material.

WARNING: Always wait until the motor has come to a complete standstill before changing the direction of rotation.

1. Choose and install the appropriate chuck, adapter, and/or bit onto to the tool. Refer to **Bit and Bit Holders**.
2. Using the mode selector dial **3**, select the mode appropriate to desired application. Refer to **Operation Modes**.
3. Adjust the side handle **5** as required.
4. Place the bit/chisel on the desired location.
5. Select the direction of rotation using the forward/reverse button **2**. When changing the position of the control button, be sure the trigger is released.
 - To select forward rotation, press the forward/reverse control button on the right side of the tool.
 - To select reverse, press the forward/reverse control button on the left side of the tool.

NOTE: The center position of the control button locks the tool in the off position.

6. Depress the trigger switch **1**. The farther you depress the trigger switch, the faster the tool will operate. For maximum tool life, use variable speed only for starting holes or fasteners.

NOTE: Depending on your tool, depressing the trigger switch activates a worklight **13** designed to illuminate the immediate work surface. Refer to **Description**. The worklight will automatically turn off 20 seconds after the trigger switch is released.

WARNING:

- Do not use this tool to mix or pump easily combustible or explosive fluids (benzene, alcohol, etc.).
- Do not mix or stir inflammable liquids labelled accordingly.

MAINTENANCE

Your DeWALT power tool has been designed to operate over a long period of time with a minimum of maintenance. Continuous satisfactory operation depends upon proper tool care and regular cleaning.

WARNING: To reduce the risk of serious personal injury, turn tool off and disconnect battery pack

before making any adjustments or removing/installing attachments/accessories or when making repair. An accidental start-up can cause injury.

The charger and battery pack are not serviceable.



Lubrication

Your power tool requires no additional lubrication.



Cleaning

WARNING: Blow dirt and dust out of the main housing with dry air as often as dirt is seen collecting in and around the air vents. Wear approved eye protection and approved dust mask when performing this procedure.

WARNING: Never use solvents or other harsh chemicals for cleaning the non-metallic parts of the tool. These chemicals may weaken the materials used in these parts. Use a cloth dampened only with water and mild soap. Never let any liquid get inside the tool; never immerse any part of the tool into a liquid.

Optional Accessories

WARNING: Since accessories, other than those offered by DeWALT, have not been tested with this product, use of such accessories with this tool could be hazardous. To reduce the risk of injury, only DeWALT recommended accessories should be used with this product.

Various types of SDS-Plus drill bits and chisels are available as an option. Accessories and attachments used must be regularly lubricated around the SDS-Plus fitment.

Consult your dealer for further information on the appropriate accessories.

Protecting the Environment



Separate collection. Products and batteries marked with this symbol must not be disposed of with normal household waste.

Products and batteries contain materials that can be recovered or recycled reducing the demand for raw materials. Please recycle electrical products and batteries according to local provisions. Further information is available at www.2helpU.com.

Rechargeable Battery Pack

This long life battery pack must be recharged when it fails to produce sufficient power on jobs which were easily done before. At the end of its technical life, discard it with due care for our environment:

- Run the battery pack down completely, then remove it from the tool.
- Li-Ion cells are recyclable. Take them to your dealer or a local recycling station. The collected battery packs will be recycled or disposed of properly.

After Service and Repair

DEWALT service centers are staffed with trained personnel to provide customers with efficient and reliable product service. We do not take any responsibility when you have repaired in unauthorized service center. You can refer to the leaflet of CONTACT CENTER LOCATOR in product package and contact us through hotline, website or social media to find the nearest DEWALT service center around you.

60V 锂电无刷电锤

DCH333

恭喜

您已选择了得伟工具。凭借多年的产品开发和创新能力，得伟已经成为专业电动工具用户最可靠的合作伙伴之一。

技术参数

			DCH333
电压	伏特 _{直流}		54 (最大 60)
空载转速	转/分		0-1000
锤击频率	bpm		0-4480
冲击能量 (EPTA 05/2009)	J		3.5
钢材/木材/混凝土中最大钻深	毫米		13/30/30
夹头类型			SDS-Plus
轴环直径	毫米		54
电池类型			锂电
重量 (不含电池包)	千克		3.7

电池				充电器/充电时间 (分钟) ***		
型号	V _{DC}	Ah	重量 (kg)	DCB112 DCB1102	DCB115 DCB1104	DCB118
DCB606	18/54 (最大20/60)	6.0/2.0	1.05	170	90	60
DCB609/DCB609G	18/54 (最大20/60)	9.0/3.0	1.46	270	135*	75*
DCB612	18/54 (最大20/60)	12.0/4.0	1.44	350	180	120
DCB615	18/54 (最大20/60)	15.0/5.0	2.12	450	230	125
DCB182	18 (最大20)	4.0	0.61	120	60	60/40*
DCB203	18 (最大20)	2.0	0.40	60	30	30
DCB184/DCB184G	18 (最大20)	5.0	0.62	150	75	75/50**
DCB208	18 (最大20)	8.0	0.95	240	120	70
DCBP034	18 (最大20)	1.7	0.32	50	27	27
DCBP520	18 (最大20)	5.0	0.75	150	75	50

*日期码 201811475B 或以后

**日期码 201536 或以后

***电池包充电时间仅供参考；实际充电时间将根据电池包的温度和状况而变化。

定义：安全指南

下列定义描述了各标志术语的严重程度。请仔细阅读本手册，并注意这些标志。



危险：表示存在紧急危险情况，如果不加以避免，**将导致死亡或严重伤害。**



警告：表示存在潜在的危險情况，如果不加以避免，**可能导致死亡或严重伤害。**



警示：表示存在潜在危險情况，如果不加以避免，**可能导致轻度或中度伤害。**

注意：表示存在不**涉及人身伤害的情况**，如果不加以避免，**可能导致财产损失。**



表示存在触电风险。



表示存在火灾风险。



警告：为降低伤害风险，请阅读使用手册。

电动工具通用安全警告



警告：阅读随电动工具提供的所有安全警告、说明、图示和规定。不遵照以下所列说明会导致电击、着火和/或严重伤害。

保存所有警告和说明书以备查阅。

警告中的术语“电动工具”指市电驱动（有线）电动工具或电池驱动（无线）电动工具。

1) 工作场地的安全

- 1) **保持工作场地清洁和明亮。** 杂乱和黑暗的场地会引发事故。
- 2) **不要在易爆环境，如有易燃液体、气体或粉尘的环境下操作电动工具。** 电动工具产生的火花会点燃粉尘或气体。
- 3) **操作电动工具时，远离儿童和旁观者。** 注意力不集中会使你失去对工具的控制。

2) 电气安全

- 1) **电动工具插头必须与插座相配。绝不能以任何方式改装插头。** 需接地的电动工具不能使用任何转换插头。未经改装的插头和相配的插座将降低电击风险。
- 2) **避免人体接触接地表面，如管道、散热片和冰箱。** 如果你身体接触接地表面会增加电击风险。
- 3) **不得将电动工具暴露在雨中或潮湿环境中。** 水进入电动工具将增加电击风险
- 4) **不得滥用软线。绝不能用软线搬运、拉动电动工具或拔出其插头。** 使软线远离热源、油、锐边或运动部件。受损或缠绕的软线会增加电击风险。
- 5) **当在户外使用电动工具时，使用适合户外使用的延长线。** 适合户外使用的电线将降低电击风险。

- 6) **如果无法避免在潮湿环境下操作电动工具，应使用带有剩余电流装置 (RCD) 保护的电源。** RCD的使用可降低电击风险。

3) 人身安全

- 1) **保持警觉，当操作电动工具时关注所从事的操作并保持清醒。** 当你感到疲倦，或在有药物、酒精或治疗反应时，**不要操作电动工具。** 在操作电动工具时瞬间的疏忽会导致严重人身伤害。
- 2) **使用个人防护装置。始终佩戴护目镜。** 防护装置，诸如适当条件下使用防尘面具、防滑安全鞋、安全帽、听力防护等装置能减少人身伤害。
- 3) **防止意外起动。** 在连接电源和/或电池盒、拿起或搬运工具前**确保开关处于关断位置。** 手指放在开关上搬运工具或开关处于接通时通电会导致危险。
- 4) **在电动工具接通之前，拿掉所有调节钥匙或扳手。** 遗留在电动工具旋转零件上的扳手或钥匙会导致人身伤害。
- 5) **手不要过分伸展。时刻注意立足点和身体平衡。** 这样能在意外情况下能更好地控制住电动工具。
- 6) **着装适当。不要穿宽松衣服或佩戴饰品。** 让你的头发和衣服远离运动部件。宽松衣服、配饰或长发可能会卷入运动部件。
- 7) **如果提供了与排屑、集尘设备连接用的装置，要确保其连接完好且使用得当。** 使用集尘装置可降低尘屑引起的危险。
- 8) **不要因为频繁使用工具而产生的熟悉感而掉以轻心，忽视工具的安全准则。** 某个粗心的动作可能在瞬间导致严重的伤害。

4) 电动工具使用和注意事项

- 1) **不要勉强使用电动工具，根据用途使用合适的电动工具。** 选用合适的按照额定值设计的电动工具会使你工作更有效、更安全。
- 2) **如果开关不能接通或关断电源，则不能使用该电动工具。** 不能通过开关来控制的电动工具是危险的且必须进行修理。
- 3) **在进行任何调节、更换附件或贮存电动工具之前，必须从电源上拔掉插头和/或卸下电池包(如可拆卸)。** 这种防护性的安全措施降低了电动工具意外起动的风险。
- 4) **将闲置不用的电动工具贮存在儿童所及范围之外，并且不允许不熟悉电动工具和不了解这些说明的人操作电动工具。** 电动工具在未经培训的使用者手中是危险的。
- 5) **维护电动工具及其附件。检查运动部件是否调整到位或卡住，检查零件破损情况和影响电动工具运行的其他状况。** 如有损坏，应在使用前

修理好电动工具。许多事故是由维护不良的电动工具引发的。

- 6) **保持切削刀具锋利和清洁。**维护良好地有锋利切削刃的刀具不易卡住而且容易控制。
- 7) **按照使用说明书，并考虑作业条件和要进行的作业来选择电动工具、附件和工具的刀头等。**将电动工具用于那些与其用途不符的操作可能会导致危险情况。
- 8) **保持手柄和握持表面干燥、清洁，不得沾有油脂。**在意外的情况下，湿滑的手柄不能保证握持的安全和对工具的控制。

5) 电池式工具使用和注意事项

- 1) **仅使用生产者规定的充电器充电。**将适用于某种电池包的充电器用到其他电池包时可能会发生着火危险。
- 2) **仅使用配有专用电池包的电动工具。**使用其他电池包可能会产生伤害和着火危险。
- 3) **当电池包不用时，将它远离其他金属物体，例如回形针、硬币、钥匙、钉子、螺钉或其他小金属物体，以防电池包一端与另一端连接。**电池包端部短路会引起燃烧或着火。
- 4) **在滥用条件下，液体可能会从电池包中溅出，应避免接触。如果意外碰到液体，用水冲洗。如果液体碰到了眼睛，还要寻求医疗帮助。**
从电池中溅出的液体可能会发生腐蚀或燃烧。
- 5) **不要使用损坏或改装过的电池包或工具。**损坏或改装过的电池包可能呈现无法预测的结果，导致着火、爆炸或伤害。
- 6) **不要将电池包暴露于火或者高温中**电池包暴露于火或高于 130°C 的高温中可能导致爆炸。
- 7) **请遵循所有充电说明，请勿在说明中规定的温度范围以外的环境对电池包或工具充电。**不当或在指定范围以外的温度下充电，可能导致电池损坏并增加火灾风险。

6) 维修

- 1) **让专业维修人员使用相同的备件维修电动工具。**这将保证所维修的电动工具的安全。
- 2) **决不能维修损坏的电池包。**电池包仅能由生产者或其授权的维修服务商进行维修。

电锤专用警告语：

戴好耳罩。暴露在噪声中会引起听力损伤。

使用随工具提供的辅助手柄。操作失手会引起人身伤害。

在切削附件可能触及暗线进行操作时，要通过绝缘握持面来握持工具。切削附件碰到带电导线会使工具外露的金属零件带电从而使操作者受到电击。

电锤的附加安全守则

- 使用夹具或采取其它可行的方法，将工件固定、支撑到稳定的平台上。手持或用身体顶住工件都是不稳定的，会导致操作失控。
- 请佩戴安全护目镜或其他护目装备。冲击操作会导致碎片飞散。飞散的颗粒会对眼睛造成永久性伤害。请在产生粉尘的应用环境佩戴防尘面具或口罩。大多应用环境需要佩戴听力保护器。
- 时刻紧握工具。切勿尝试在不使用双手握住工具时操作此工具。建议始终使用侧手柄。单手操作此工具会导致失控。穿透或遇到坚硬材料（如钢筋）也可能发生危险。使用前请务必稳固转紧侧手柄。
- 不要长时间操作此工具。锤击操作导致的振动可能会伤害您的手部和手臂。使用手套提供额外缓冲，经常停下休息，限制使用时间。
- 切勿自行整修钻头。凿子的整修工作应由授权专业人员来完成。凿子整修不当可能会导致伤害。
- 操作工具或更换钻头时请佩戴手套。工具和钻头上的可接触金属部件可能会在操作过程中变得非常热。少量破碎材料可能会导致双手受伤。
- 直到钻头完全停止运动才放下工具。运动钻头可能会导致伤害。
- 请勿使用锤子击打卡住的钻头。金属碎片或材料碎屑可能会弹出而导致伤害。
- 轻度磨损的凿子可通过打磨进行磨尖。
- 让电线远离旋转中的钻头。请勿用身体的任何部位缠绕电线。缠绕在旋转中的钻头周围的电线可能会导致人身伤害和失控。

其他风险

使用电锤时具有下列固有危险：

- 碰触工具的旋转部件或发热部件会导致人身伤害
- 尽管遵守了相关的安全法规并采用了安全装备，某些其他风险仍然是无法避免的。这些风险包括：
- 听力损伤。
 - 更换附件时夹到手指的风险。
 - 在混凝土和/或砖石环境中工作时，吸入粉尘导致的健康危害。

电气安全

电机只适用一种工作电压。请务必检查电池包的电压是否和铭牌上的电压一致。另外，请确保充电器电压和主电源的电压一致。



得伟充电器符合 IEC60335 双重绝缘要求，因此无需使用接地线。

若电源线损坏，必须交由得伟维修部门采用专门制备的电线进行更换。

请妥善保管好这些说明

充电器

得伟充电器无需做出任何调整，专为简易操作而设计。

针对所有电池充电器的重要安全说明

请妥善保管好这些说明：本手册包含重要的兼容电池充电器安全和操作说明（请参阅**技术参数**）。

- 在使用充电器之前，请先阅读所有指示以及充电器、电池包和使用电池包的产品上的警示标记。



警告：触电危险。请勿让任何液体渗入充电器，否则会引起触电。



警告：我们建议使用漏电保护额定电流为 30 毫安或以下的漏电保护装置。



警示：灼伤危险。为降低人身伤害风险，请仅使用得伟充电式电池充电。使用其它类型的电池可能会引起爆裂，并导致人身伤害和损害。



警示：应看管好儿童，以确保他们不将此设备当做玩具来玩。

注意：在某些情况下，当充电器的插头插入电源插座时，充电器内部裸露的充电接触点可能因为外来物件而短路。请勿让能导电的异物靠近充电器腔，这些外来物件包括但不限于钢棉、铝箔或任何金属颗粒的堆积物。充电器内没有电池包时，请断开充电器与电源的连接。清洗前，务必拔掉充电器。

- **请勿试图使用本手册指定的充电器以外的任何其他任何充电器为电池包充电。**充电器和电池包都是专门设计的，互相配合使用。
- **除了为得伟充电式电池充电以外，这些充电器并非设计用于其他用途。**否则，可能会导致火灾、触电或电击。
- **请勿将充电器暴露于雨中或雪中。**
- **断开充电器连接时，应拔出插头，切勿拉拽电源线。**这将降低对电插头和电线的损害风险。
- **确保电源线布置在不易踩踏、踢绊或会受到损害或压力的位置。**
- **除非绝对必要，否则请勿使用延长线。**使用不正确的延长线可能导致火灾、触电或电击的风险。

- **请勿将任何物件放在充电器上面，或是把充电器放在可能会堵住通风槽的柔软表面，导致充电器的内部过热。**请把充电器放置在远离任何热源的地方。充电器通过外壳顶端和底端的槽进行通风。
- **禁止使用电源线或插头已损坏的充电器。**请立即更换这些充电器。
- **如果充电器受到强烈重击、掉落或出现其他损坏情况，请勿使用充电器。**请将损坏的充电器送到授权服务中心。
- **请勿自行拆卸充电器。**请将需要检修或修理的充电器送到授权服务中心。重装不正确可能导致触电、电击或火灾风险。
- **必须立即将已损坏的电源线交由制造商、服务代理或类似的合格人员进行更换以防止安全隐患。**
- **清洁前，请先断开充电器和插座的连接，以降低触电风险。**取出电池包不会降低此风险。
- **切勿**将两个充电器连接在一起。
- **充电器是为 220-240 V 的标准家用电源而设计。请勿试图在任何其他电压下使用充电器。**此规则不适用于车载充电器。

使用延长线

除非绝对必要，否则请勿使用延长线。使用适合您的充电器输入功率的合格延长线（见**技术参数**）。最小的导线尺寸为 1 平方毫米；最大长度为 30 米。使用电缆卷筒时，请务必拉出所有的电缆。

为电池充电（图 B）

注意：有关开/关和闪烁模式，请参阅充电器上指示灯附近的标签。较旧的充电器可能有附加信息和/或可能没有黄色指示灯，只有一个红色指示灯。

1. 插入电池包前，先将充电器的插头插到相应的电源插座上。
2. 插入电池包 6 并使其完全就位。左侧指示灯将持续闪烁红灯，表示充电过程已经开始。对于双阶段充电器，这表示第 1 阶段充电，在此阶段电池包会充电大部分电量。
3. 对于单阶段充电器，当左侧指示灯持续亮红，右侧指示灯不亮时，充电完成。对于双阶段充电器，当左侧指示灯持续亮红，右侧指示灯持续闪红，表示第 2 阶段充电，在此阶段电池包会充满至全部容量电。当两个指示灯都持续亮红时，第 2 阶段充电完成。充电完成后，电池包可以取出使用，也可以留在充电器中。

充电器不会为故障电池包充电。充电器不亮可能表示充电器或电池包有问题。停止使用，并将充电器和电池包送至授权服务中心。

注意：在拆卸电池包时，部分充电器需要按住电池包释放按钮。

充电器操作

有关电池包的充电状态，请参阅以下指示灯说明。

充电状态指示灯



*红色指示灯会继续闪烁，但黄色指示灯在本次操作过程中会亮起。电池包达到适当温度后，黄色指示灯会熄灭，充电器将恢复充电流程。兼容充电器不会对故障电池包充电。充电状态指示灯不亮时表示电池有故障。

注意：这也可能意味着充电器有故障。

如果充电器提示存在故障，请将充电器和电池包送到授权的服务中心进行测试。

热/冷电池包延迟

当充电器检测到电池包过热或过冷时，它会自动启动热/冷电池延迟模式，暂停充电，直到电池包达到适当的温度。然后，充电器会自动切换到电池包充电模式。此功能可确保电池包拥有最长的使用寿命。

冷电池包充电速度比热电池包充电速度慢。电池包在整个充电周期的充电速度都会较慢，即使电池包升温也不会恢复到最大速度。

DCB118 充电器配备专用于冷却电池包的内部风扇。电池包需要冷却时，风扇会自动启动。如果风扇运转不正常或通风槽堵塞，切勿操作充电器。请勿让异物进入充电器内部。

电子保护系统

XR 锂离子电池工具具有电子保护系统设计，可保护电池包免受过载、过热或过度放电之害。

如果电子保护系统处于运作状态，该工具将自动停止操作。如果发生这种情况，请将锂离子电池包放在充电器上，直至其完全充电。

壁挂式安装

这些充电器设计为可以安装在墙上，也可以直立在桌面或工作台上。如果安装在墙上，请确保充电器的位置可以连接到电源插座，并且远离墙角或其他可能妨碍空气流通的障碍物。将充电器背面作为在墙上安装螺丝的位置模板。使用至少 25.4 毫米长、螺丝帽直径至少 7-9 毫米的石膏板螺丝（单独购买）牢牢固定充电器，将螺丝最大限度打入木材，预留约 5.5 毫米露在墙外。将充电器背面的安装槽对准露出的螺丝，完全放置到位。

充电器清洁说明

警告：触电危险。清洁前，请将充电器从交流电源插座上拔下。可用布或非金属软刷清除充电器外部的污垢和油脂。请勿使用水或任何清洁剂。切勿让任何液体渗入工具，切勿让工具的任何部件浸在液体中。

充电时间

针对所有电池包的重要安全说明

在订购更换电池包时，请务必附上目录型号和电压。包装箱内的电池包并未完全充电。使用电池包和充电器之前，请阅读下列安全指示，然后遵循所述的充电程序。

请阅读所有说明

- **请勿在易爆环境，如有易燃液体、气体或粉尘的环境中充电或使用电池。**在充电器中插入或取出电池时可能会点燃粉尘或气体。
- **切勿强行将电池放进充电器。请勿以任何方式改装电池包以在不相容的充电器中使用，否则电池包可能会破裂，导致严重人身伤害。**
- 只使用得伟充电器为电池包充电。
- **请勿**飞溅电池包或将其浸泡在水或其他液体中。
- **请勿在温度可能达到或超过 40°C (104°F) 的地方（如夏天户外的棚子或金属建筑物中）存储或使用工具和电池包。**
- **即使电池包严重受损或完全损坏，也请勿焚化电池包。**电池包在火中会发生爆炸。锂离子电池包在燃烧时会释放有毒烟雾和物质。
- **如果电池液体接触到皮肤，请立即以中性肥皂和清水冲洗接触的地方。**如果电池液体不慎进入眼睛，应睁开眼睛并用清水冲洗至少 15 分钟或直到刺激感消失。如果需要医疗救助，请告知医护人员。电池电解质由液状有机碳酸盐和锂盐的混合物组成。
- **已打开电池的內部物质可能导致呼吸道刺激。**请保持空气流通。如果症状持续存在，请就医。



警告：灼伤危险。电池液如果接触到火花或火焰可能会燃烧。



警告：切勿以任何理由试图打开电池包。电池包外壳破裂或损坏时，请勿将电池包插入充电器。请勿挤压、掉落或损坏电池包。请勿使用受过强烈重击、掉落、碾压或以任何其它方式（如被钉子穿破、受到锤子的重击、踩踏）受损的电池包或充电器。否则可能会引起触电或电击。损坏的电池包应送回维修中心进行回收。



警告：火灾危险。请勿在存储或搬运电池包时将金属物品接触暴露的电池两极。例如，请勿将电池包放在围裙、口袋、工具箱、产品套件盒、

抽屉等可能与散钉、螺丝、钥匙等物品接触的地方。



警示：不用时，将工具侧放在平稳的表面上，确保不会有踢绊或掉落的危险。一些具有大型电池包的工具将直立于电池包之上，但可能会轻易被撞倒。

运输



警告：火灾危险。电池运输途中，如果电池两极意外接触导电材料，可能会引发火灾。运输电池时，务必保护电池两极，确保与可能接触电池导致短路的材料良好绝缘。

得伟电池符合所有适用的行业和法律标准规定的运输规范，包括《联合国危险品运输建议规章范本》(UN Recommendations on the Transport of Dangerous Goods)、《国际航空运输协会 (IATA) 危险品规则》(International Air Transport Association (IATA) Dangerous Goods Regulations)、《国际海运危险品 (IMDG) 规则》(International Maritime Dangerous Goods (IMDG) Regulations) 和《欧洲危险货物国际公路运输协定》(European Agreement Concerning The International Carriage of Dangerous Goods by Road) (ADR)。锂离子电池和电池包已遵循《联合国危险品运输建议规章范本手册》第 38.3 节关于测试和标准的说明通过测试。

大多数情况下，发运得伟电池包不属于完全管制的 9 类危险品。通常情况下，只有当运输包含一个能量等级大于 100 瓦时 (Wh) 的锂离子电池时，才需要作为完全管制的 9 类危险品发运。所有锂离子电池外壳上均标注有瓦时等级。此外，由于法规比较复杂，无论瓦时等级是多少，得伟都不建议单独空运锂离子电池。发运包含电池的工作 (组合套件) 时，如果电池包的能量等级不大于 100 瓦时 (Wh)，则可以按计划空运。

无论发运是否纳入完全管制范围内，运输公司均有责任遵循最新法规中关于包装、标签/标记和单据的要求。本手册本节的信息是出于善意提供，且认为在编制文档时准确无误。但是不提供明示或暗示的担保。购买方负有确保其行为遵守适用法规的责任。

运输 FLEXVOLT™ 电池

得伟 FLEXVOLT™ 电池有两种模式：**使用**和**运输**。

使用模式：当 FLEXVOLT™ 电池单独使用或用于得伟 18 伏 (最大 20 伏) 产品时，将作为 18 伏 (最大 20 伏) 电池操作。当 FLEXVOLT™ 电池用于 54 伏 (最大 60 伏) 或 108 伏 (最大 120 伏) (两个 54 伏 (最大 60 伏) 电池) 的产品时，将作为 60 伏电池进行操作。

运输模式：当电池盖连接到 FLEXVOLT™ 电池时，电池会进入运输模式。保留电池盖用于运输。

处于运输模式时，电池包内部的电池芯会处于断电状态，使 3 个低瓦时 (Wh) 等级的电池相当于 1 个高瓦时等级电池。这样，增加 3 个低瓦时等级的电池可以使电池包不必遵守适用于更高瓦时电池的运输法规。



例如，若运输额定瓦时为 3 × 40 瓦时，则表示 3 个 40 瓦时的电池。使用瓦时额定值可能是 120 瓦时 (表示 1 个电池)。

使用和运输标签标记示例



存放建议

- 最好将电池存放在阴凉、干燥、远离阳光直射、不会过热或过冷的地方。为了获得最佳的电池性能和使用寿命，请您在不使用电池包时将其存储在室温下。
- 长期存储时，建议将完全充电的电池包从充电器取出，存储在阴凉、干燥的地方，以达到最佳效果。

注：电池包不应在电池已完全耗尽的状态下存放。使用电池包之前，必须重新为电池包充电。

充电器和电池包上的标签

除了在本手册中所使用的标志，充电器和电池包的标签还包括：



使用前请阅读使用手册。



充电时间详细信息，请参阅**技术参数**。



请勿使用导电物体戳刺。



请勿对已损坏的电池包充电。



请勿将其暴露于水中。



应立即更换有缺陷的电线。



请只在 4°C 和 40°C 之间的温度下充电。



只能在室内使用。



弃置电池包时，请妥善处理以保护我们的环境。



只使用指定的得伟充电器为得伟电池包充电。使用得伟充电器为非得伟电池充电可能会导致电池爆炸或出现其他危险情况。



请勿焚化电池包。



使用 (无电池盖)。示例：瓦时额定值为 108 瓦时 1 个 108 瓦时的电池)。



运输 (有内置运输盖)。示例：瓦时额定值为 3 x 36 瓦时 3 个 36 瓦时的电池)。

电池类型

DCH333使用 54伏特 (最大 60伏) 电池包。

更多信息, 请参阅**技术参数**。

包装内的物品

包装内的物品包括:

- 1 个 锂电充电式电锤
- 1 个 侧手柄和深度调节杆
- 1 个 充电器 (N和NT版本不提供)
锂电池组 (N和NT版本不包含)
- 1 个 工具箱
- 1 本 说明手册
- 检查工具、部件或附件是否在运输过程中损坏。
- 操作前, 请抽空仔细阅读并掌握本手册。

工具上的标记

工具上印有下列图形:



使用前请阅读使用手册。



请佩戴听力保护器。



请佩戴护目装备。



可见辐射。切勿直视激光束。

日期码的位置

包含制造年份的日期码印在工具外壳上。

示例:

2024 XX XX
制造年份

说明 (图 A, D)



警告: 切勿改装电动工具或其任何部件, 否则可能会导致损坏或人身伤害。

- | | |
|-----------|-----------|
| 1 变速开关 | 4 模式选择器按钮 |
| 2 正/反转按钮 | 5 侧手柄 |
| 3 模式选择器转盘 | 6 电池包 |

- | | |
|------------------|--------------|
| 7 释放按钮 | 11 深度调节杆 |
| 8 主手柄 | 12 深度调节杆释放按钮 |
| 9 SDS Plus 工具夹持器 | 13 工作灯 |
| 10 套管 | 14 皮带扣 |

设计用途

锂电充电式电锤设计用于专业钻孔、锤钻、螺丝安装以及切削用途。

请勿在潮湿环境中或在易燃液体或气体存在的环境中使用本工具。

本锂电充电式电锤是专业电动工具。

请勿让儿童接触本工具。缺乏经验的操作员需要在监督下使用本工具。

- **儿童和体弱者。** 在没有他人监督的情况下, 儿童或体弱者不适宜使用本产品。
- 本产品不适合体力、感官或智力不足以及缺乏经验、知识或技能的人员 (包括儿童) 使用, 除非一旁有能为他们的安全负责的监督人员。不得在无人监管的情况下让儿童接触本产品。

过载离合器

如果钻头卡住, 则电钻主轴的驱动将会中断。由于会产生反向力, 因此请务必用双手紧握工具并站稳。过载后, 松开然后按下触发器可重新接合驱动器。

机械离合器

这些工具安装了机械离合器。听到棘轮声和振动加剧表示机械离合器已启动。

防旋转系统 (图 E)

除了离合器外, 防旋转系统采用嵌入式防旋转技术, 可检测操作员是否失去电锤控制, 使操作员更舒适更安全。系统检测到卡钻时, 会立即降低扭矩和转速。此功能可防止工具自行旋转, 降低手腕受伤的风险。防旋转系统指示灯 **18** 将亮起以指示状态。

指示灯	诊断	解决方案
关	工具运作正常	操作本工具时, 请遵守所有警告和说明。
常亮	反旋转系统已被激活 (ENGAGED)	正确使用所提供的工具, 松开触发器。当再次按下触发器并且指示灯熄灭时, 该工具将正常工作

有源振动控制

为了达到最好的振动控制效果, 请按照**正确的手持方式**所述使用工具。

有源振动控制可中和来自锤子机制的回弹振动。降低手部和手臂振动，可以更舒适地在更长的时间内使用本工具，并延长装置的使用寿命。

锤钻只需要适量力度即可启动有源振动控制。过度用力并不会加快工具钻孔或切削的速度，也不会启动有源振动控制。

组装与调整

警告：为了降低严重人身伤害的风险，请在调节或拆卸/安装附件/配件之前，或进行维修时关闭工具并断开电池包连接。意外启动可能会导致人身伤害。

警告：请只使用得伟电池包和充电器。

插入或取出工具上的电池包 (图 B)

注：请确保您的电池包 6 已完全充电。

将电池包安装到工具手柄中

1. 将电池包 6 对齐工具手柄内的轨道 (图 B)。
2. 将电池包滑入手柄内，使其牢牢地固定在工具内，并确保您听到其锁定到位的声音。

从工具中取出电池包

1. 按下释放按钮 7，将电池包从工具手柄中稳妥地拉出。
2. 按本手册充电器部分所述将电池包插入充电器中。

电池包电量计

一些得伟电池包带有一个包含三个绿色 LED 指示灯的电量计，用于指示电池包内的剩余电量。

按下电量计按钮 19 不松开，即可启动电量计。三个绿色 LED 指示灯将以组合方式亮起，以指示剩余电量。当电池内的电量低于可用限制时，电量计将不会亮起，电池将需要重新充电。

注：电量计仅指示电池包的剩余电量。它并不表示该工具的功能，且将根据产品组件、温度和最终用户的使用情况而有所不同。

侧手柄 (图 A)

警告：为降低人身伤害风险，始终在正确安装侧手柄的情况下操作工具。否则，可能导致侧手柄在工具操作时滑动并随后失控。用双手握住工具以充分控制它。

侧手柄 5 夹紧至齿轮箱前端，可 360° 旋转以方便右手或左手使用。侧手柄必须充分转紧以在附件卡住或失速时抵抗工具的扭转效应。在失速时，请确保抓紧侧手柄末端以便控制工具。

要松开侧手柄，请逆时针旋转手柄。

调节深度调节杆 (图 C)

1. 推入并按住侧手柄上的深度调节杆释放按钮 12。
2. 移动深度调节杆 11，使杆端与钻头端之间的距离等于所需的钻孔深度。
3. 释放按钮，将该杆锁定到位。使用深度调节杆进行钻孔时，请在杆端到达材料表面时停止。

皮带扣 (图 D)

可选配件

警告：为了降低严重人身伤害的风险，建议使用工具的皮带扣将工具悬挂在工作皮带上。在使用过程中，不要使用皮带扣将工具栓系或固定到人或物体上。不要将工具悬挂在空中或将物体悬挂在皮带扣上。

警告：为降低严重人身伤害的风险，确保固定皮带扣的螺钉牢固。

重要事项：连接或更换皮带扣时，只能使用皮带扣附带的螺钉 20。确保牢固地拧紧螺钉。

为了适应左撇子或右撇子用户，可以使用主手柄下方左侧或右侧的一个槽，并使用安装在主手柄底部的螺钉 20 将皮带扣 14 连接到工具上。

如果根本不需要皮带扣，可以将其从工具上拆下。

安装皮带扣

1. 将挂钩插入主手柄下方左侧或右侧的一个槽中。
2. 将螺钉安装在主手柄的底部。确保牢固地拧紧螺钉。

拆卸或移动皮带扣

1. 拆下位于主手柄底部的螺钉。
2. 将皮带扣从主手柄上拉开。
3. 将挂钩插入主手柄下方左侧或右侧的一个槽中，或将螺钉安装在主手柄下方。确保牢固地拧紧螺钉。

钻头与钻头夹持器

警告：灼伤危险。更换附件时请务必佩戴手套。工具和钻头上的可接触金属部件可能会在操作过程中变得非常热。少量破碎材料可能会导致双手受伤。

视所需应用而定，本充电式电锤可搭配使用不同的钻头。请只使用锋利的钻头。

钻头建议

- 对于木材，应使用麻花钻头、扁钻头、机械螺旋钻头或孔锯。
- 对于金属，应使用高速钢麻花钻头或孔锯。在金属上钻孔时，请使用切削润滑剂。铸铁和黄铜材料是例外，对它们钻孔时应保持干燥。
- 在砖石如砖，水泥，煤渣块上钻孔时，请使用冲击钻孔专用的碳化钻头。

SDS-Plus 钻头夹持器 (图 F)

注：搭配使用 SDS-Plus 工具夹持器与直柄钻头及六角螺丝钻头时，需要使用特殊的适配器。请参阅**可选配件**。

要插入钻头或其他附件：

1. 将钻头杆插入 SDS Plus 工具夹持器中大约 19 毫米。
2. 推动并旋转钻头直到其锁定到位。钻头会稳固地锁定到位。
3. 要卸下钻头，请向后拉动套管 **10**，然后卸下钻头。

操作

使用说明

警告：务必遵守安全指示和适用法规。

警告：为了降低严重人身伤害的风险，请在调节或拆卸/安装附件/配件之前，或进行维修时关闭工具并断开电池包连接。意外启动可能会导致人身伤害。

正确的手持方式 (图 E)

警告：为降低严重的人身伤害风险，请务必使用正确的手持方式，如图所示。

警告：为降低严重的人身伤害风险，请务必紧握工具以防止出现突然的反作用力。

正确的手持方式要求一只手握住主手柄 **8**，另一只手则握住侧手柄 **5**。

操作模式 (图 A)

警告：在工具运行时切勿选择操作模式。

本工具配备模式选择器转盘 **3**，可用于选择适合所需操作的模式。

符号	模式	应用
	旋转钻孔	螺丝安装 用于在钢材、木材和塑料上钻孔
	用于旋转锤击	用于在混凝土和砖石上钻孔
	仅锤击	用于轻微切削

选择操作模式：

1. 按下模式选择器释放按钮 **4**。
2. 旋转模式选择器转盘，使箭头指向对应于所需模式的符号。

注：模式选择器 **3** 必须始终为旋转钻孔、旋转锤击或锤击模式。各符号之间没有可操作的位置。工具从“仅锤击”模式更改为“旋转”模式后，可能需要短暂地运转电机以对准齿轮。

执行应用 (图 A)

警告：为降低人身伤害风险，请务必确保牢固锚定或夹紧工件。如果在较薄材料上钻孔，请使用“垫板”以防止损坏材料。

警告：在改变旋转方向之前，请务必等到电动机完全停止。

1. 选择并在工具上安装适当的夹头、适配器和/或钻头。请参阅**钻头与钻头夹持器**。
2. 使用模式选择器转盘 **3**，选择适合所需应用的模式。请参阅**操作模式**。
3. 根据需要调整侧手柄 **5**。
4. 将钻头/凿子放在所需位置。
5. 使用正/反转按钮 **2**，选择旋转方向。改变控制按钮的位置时，确保触发开关处于松开状态。

- 如果要选择正转，请按下工具右侧的正/反转控制按钮。

- 若要选择反转，请按下工具左侧的正转/反转控制按钮。

注：控制按钮的中心位置会将工具锁定在关闭位置。

6. 按下触发开关 **1**。按压触发开关越紧，工具运作越快。为了获得最长的工具使用寿命，请仅在启动钻孔或紧固件时使用变速。

注：根据您的工具，按下触发开关激活用于照亮紧邻工作表面的工作灯 **13**。参见**说明**。工作灯会在松开触发开关 20 秒后自动关闭。

警告：

- 切勿使用本工具混合或搅动易燃或易爆液体（汽油、酒精等）。
- 切勿混合或搅拌具有易燃标签的液体。

维护

您的得伟电动工具设计精良，可以长期使用，仅需极少维护。要持续获得令人满意的工作效果，需要进行合适的工具维护和定期清洁。

警告：为了降低严重人身伤害的风险，请在调节或拆卸/安装附件/配件之前，或进行维修时关闭工具并断开电池包连接。意外启动可能会导致人身伤害。

充电器和电池包无法维修。



润滑

本电动工具无需另行润滑。



清洁



警告：一旦看到通风口及其周围积聚了尘屑，请用干燥的空气将灰尘和尘屑从主机外壳内吹出。执行此过程时，需戴上经认可的护目装备和防尘面具。



警告：切勿使用溶剂或其他刺激性化学制品来清洁工具的非金属部件。这些化学物质可能会削弱这些部位使用的材料。请用布蘸温和的肥皂水擦拭。切勿让任何液体渗入工具，切勿让工具的任何部件浸在液体中。

可选配件



警告：由于非得伟供应的配件未经本产品匹配测试，将此类配件用于本工具可能造成伤害。为降低人身伤害风险，本产品只可使用非得伟推荐的附件。

有各种不同类型的 SDS Plus 钻头和凿子可供选购。SDS Plus 设备中使用的附件和附加装置必须定期进行润滑。

请向您的经销商咨询更多关于合适附件的信息。

保护环境



分类回收。由此符号标记的产品和电池不得与普通家庭垃圾一起处理。

产品和电池包含可恢复或回收的材料，从而降低对原材料的需求。请根据当地供给回收电子产品和电池。要获得更多信息，请参看 www.2helpU.com。

充电式电池包

本电池包使用寿命长，不能提供顺利完成工作所需的电力时，必须进行充电。电池技术寿命结束时，请妥善处理以保护环境：

- 耗尽电池包的电力，然后从工具上拆下。
- 锂离子电池是可回收的。请将它们送往您的经销商处或当地的回收站。回收的电池包将被妥善循环使用或处理。

售后服务和维修

DEWALT 维修中心拥有经过培训的人员，能够为顾客提供充分、可靠的产品服务。如果您通过未获授权的维修中心进行维修，我们不会承担任何责任。您可以参见产品包装中的“联系中心定位器”宣传单页，通过

热线电话、网站或社交媒体联系我们，找到距离您最近的 DEWALT 服务中心。

制造商：百得德国公司

地址：Black & Decker Str.40 65510 Idstein，德国

产地：捷克

产品中有害物质的名称及含量

部件名称	有害物质					
	铅 (Pb)	汞 (Hg)	镉 (Cd)	六价铬 (Cr(VI))	多溴联苯 (PBB)	多溴二苯醚 (PBDE)
马达组件	0	0	0	0	0	0
机壳组件	0	0	0	0	0	0
控制部件 (开关, PCB 等)	X	0	0	0	0	0
传动部件	0	0	0	0	0	0
电池包	X	0	0	0	0	0
充电器	X	0	0	0	0	0
附件 (钻头/砂轮片等)	0	0	0	0	0	0
电线组件	X	0	0	0	0	0

本表格依据 SJ/T 11364 的规定编制。

O: 标识该有害物质在该部位所有均质材料中的含量均在 GB/T 26572 规定的限量要求以下。

X: 标识该有害物质至少在该部位的某一均质材料中的含量超出 GB/T 26572 规定的限量要求

备注: 本产品不必包含以上所述的所有部件。由于生产工艺和技术的不可替代性, 本产品中含有某些有害物质, 在环保使用期限内可以放心使用, 超过环保使用期限之后则应进入回收循环系统。

环保使用期限为“电子电气产品中含有的有害物质不会发生外泄或突变, 电子电气产品用户正常使用该电子电气产品不会对环境造成严重污染或对其人身、财产造成严重损害的期限”。



: 环保使用期限为 20 年。此环保使用期限不代表产品的安全使用期限和质量保证年限。

無碳刷四溝三用電鎚鑽

DCH333

恭喜!

感謝您選購 DeWALT 工具。憑藉多年的經驗、完善的產品開發與創新，DeWALT 已成為專業電動工具使用者最可靠的合作夥伴之一。請注意! 各地區上市產品/ 配件不盡相同，請依台灣繁體中文說明書的內容為主。

注意: 60V Max 為最大初始電池電壓 (無負載測量)，標稱電壓為 54V。120V Max 為最大初始電池電壓 (無負載測量)，標稱電壓為 108V。

技術資料

		DCH333
最大/標稱電壓	伏特 ^{直流}	54 (最大 60)
空載轉速	轉/分	0-1000
空載衝擊率	bpm	0-4480
單次衝擊能量 (EPTA 05/2009)	焦耳	3.5
鋼材/木材/混凝土的最大鑽孔範圍	公釐	13/30/30
工具夾持器		SDS-plus
調整環直徑	公釐	54
電池類型		鋰離子電池
重量 (不包括電池組)	千克	3.7

電池				充電器/充電時間(分鐘)			
型號	電壓 _{Vdc}	電池容量 (AH)	重量 (Kg)	DCB107	DCB115 DCB1104	DCB118	DCB1112
DCB606	18/54 (最大20/60)	6.0/2.0	1.05	270	60	60	40
DCB609	18/54 (最大20/60)	9.0/3.0	1.46	420	135*	75*	60
DCB612	18/54 (最大20/60)	12.0/4.0	1.44	540	180	120	80
DCB203	18 (最大20)	2.0	0.40	90	30	30	30
DCB205	18 (最大20)	5.0	0.62	240	75	75/50**	75/50**
DCB240	18 (最大20)	4.0	0.54	185	60	60	60
DCBP034	18 (最大20)	1.7	0.32	82	27	27	27
DCBP520	18 (最大20)	5.0	0.75	240	75	50	50

*日期碼 201811475B 或以後

**日期碼 201536 或以後

***電池充電時間矩陣僅供指導; 電池溫度和條件不同, 充電時間也有所不同。

定義: 安全指南

以下定義描述了每一個詞彙的嚴重程度。請閱讀本手冊並注意這些符號。



危險: 表示緊急危險狀況, 若未能避免, 將導致**死亡或嚴重傷害**。



警告: 表示潛在危險情況, 若未能避免, 可能導致**死亡或嚴重傷害**。



小心: 表示潛在危險情況, 若未能避免, 可能導致**輕微或中度傷害**。

註: 表示一種**非人身傷害**的行為, 若未能避免, 可能導致**財產損失**。



表示觸電危險。



表示火災危險。



警告: 為了降低受傷的風險，必須仔細閱讀使用手冊。

電動工具一般安全警告



警告: 請閱讀所有安全警告及使用指示。不遵循這些警告及指示可能會導致觸電、火災及/或嚴重傷害。

請妥善保存所有警告及指示以備將來查閱

警告中的名詞「電動工具」是指電源驅動(插電)電動工具，或者電池驅動(充電)電動工具。

1) 工作場地安全

- 請保持工作場地清潔明亮。混亂或黑暗的場地會引發事故。
- 請勿在易爆環境，如有易燃液體、氣體或粉塵的環境中操作電動工具。電動工具產生的火花會點燃粉塵或氣體。
- 請等待兒童和旁觀者離開之後才操縱電動工具。分心會導致您疏於控制。

2) 電氣安全

- 電動工具插頭必須與插座相符。切勿以任何方式改裝插頭。需接地的電動工具不能使用任何配接器插頭。未經改裝的插頭和相符的插座可以減少觸電危險。
- 避免人體接觸接地表面，如管道、散熱片、爐灶和冰箱。若您的身體接地，會增加觸電危險。
- 不得將電動工具暴露在雨中或潮濕環境中。水進入電動工具會增加觸電危險。
- 請勿濫用電線。請勿使用電線來搬運、拉動電動工具或拔出插頭。讓電線遠離熱、油、銳邊和活動部件。受損或纏繞的電線會增加觸電危險。
- 若要在戶外使用電動工具，請使用適合戶外使用的延長電線。使用適合戶外使用的電線可減少觸電危險。
- 若必須在潮濕場合使用電動工具，請使用漏電保護器(RCD)。使用RCD可降低觸電危險。

3) 人身安全

- 保持警覺；在操作電動工具時，請留意所執行的操作並按照一般的程式執行。請勿在疲倦或在受到毒品、酒精或藥品的影響時使用電動工具。操作電動工具期間注意力分散會導致嚴重人身傷害。
- 使用個人防護裝置。始終佩戴護目裝備。防護裝置，例如在適當條件下使用的防塵面具、防滑安全鞋、安全帽或聽力保護等裝置可減少人身傷害。

- 避免意外啟動。連接電源及/或電池組、舉抬或搬運電動工具之前，請確定開關處於關閉位置。若搬運電動工具時將手指放在開關上，或者在電動工具開關開啟時將插頭插入電源插座，這兩種行為都會引發事故。
- 啟動電動工具之前，請卸下所有的調整鑰匙或扳手。遺留在電動工具旋轉部件上的扳手或鑰匙會導致人身傷害。
- 不要過度伸張雙手。時刻注意腳下與身體的平衡。如此即可在發生意外的情況下更好地控制電動工具。
- 適當穿著。請勿穿寬鬆衣服或佩戴飾品。讓您的頭髮、衣服和手套遠離活動部件。寬鬆衣服、佩飾和長髮可能會捲入活動部件。
- 若配備用於連接排屑裝置和集塵設備的裝置，請確定正確連接和使用這些裝置。使用集塵設備可減少與粉塵有關的危險。
- 請勿因頻繁使用而對工具特別熟悉，讓你變得自滿而忽略工具的安全原則。粗心操作可以在片刻間造成嚴重傷害。

4) 電動工具的使用與注意事項

- 請勿超負荷使用電動工具。請根據您的應用使用正確的電動工具。若使用的電動工具正確無誤，該工具能以設計額定值更有效、更安全地執行工作。
- 若開關不能開啟或關閉電源，切勿使用該電動工具。若開關無法控制電動工具，則電動工具存在危險，必須予以維修。
- 在執行任何調整、更換配件或儲存工具之前，必須從電源上拔掉插頭及/或卸下電池組。這類防護性措施可降低電動工具意外啟動的風險。
- 將閒置的電動工具儲存在兒童無法接觸的地方，並且不要讓不熟悉電動工具或對這些使用指示不瞭解的人員操作電動工具。電動工具在未經培訓的使用者手中會發生危險。
- 維護電動工具。檢查活動部件是否對準或卡住、破損情況以及是否存在影響電動工具運行的其他情況。若有損毀，必須在使用之前修理電動工具。許多事故都是由於電動工具欠缺維護所導致。
- 保持切削工具鋒利和清潔。妥善維護的帶利刃的切削工具不會輕易卡住並可更輕鬆控制。
- 使用電動工具、配件和工具刀頭等時，請遵循這些指示使用，且指示須包含工作環境和所要執行工作的注意事項。不按照設計目的使用電動工具會導致危險。

- h) **手柄和抓握表面都應保持乾燥、清潔及遠離油脂。**光滑手柄和抓握表面不便於在意外情況下對工具進行安全處理與控制。

5) 電動工具的使用與注意事項

- a) **只能使用製造商指定的充電器為電池充電。**使用僅適合一種電池組的充電器為其他類型的電池組充電會導致火災風險。
- b) **請使用原廠的電動工具電池組。**使用其他非原廠的電池組會導致人身傷害和火災危險。
- c) **不使用電池組時，請將其遠離如迴紋針、硬幣、鑰匙、釘子、螺絲以及其他可連通電池兩極的金屬物品。**將電池兩極短路會導致灼傷或火災。
- d) **濫用電池的情況下，液體會從電池中噴出；避免與液體接觸。若不小心接觸液體，請用清水沖洗。若液體噴濺到眼睛上，沖洗之後還要進行治療。**從電池噴出的液體會刺激皮膚或造成灼傷。
- e) **請勿使用已經損壞或改動的電池組或工具。**損壞或改動的電池可能表現出不可預計的行為，導致火災、爆炸或傷害風險。
- f) **請勿讓電池組或工具暴露於火中或過高溫度的環境中。**暴露於火中或溫度超過 130°C 的環境中可能導致爆炸。
- g) **請遵循所有充電說明，請勿在說明中規定的溫度範圍以外的環境對電池組或工具充電。**不當或在指定範圍以外的溫度下充電，可能導致電池損壞並增加火災風險。

6) 檢修

- a) **維修本電動工具時，必須由合格的維修人員執行，而且只能使用完全一致的更換件。**這樣將確保電動工具的安全。
- b) **切勿維修損毀的電池組。**電池組的維修僅應由製造商或授權服務提供商執行。

電鏈之附加安全指示

- 請佩戴聽力保護器。噪音會使聽力受損。
- 請使用工具隨附的輔助手柄。工具失控會導致人身傷害。
- 若在執行操作時切割配件可能會接觸隱藏的電線或它本身的電線，則只能從絕緣手柄表面握住電動工具。若切割配件接觸到「帶電」導線，電動工具金屬部件表面就會「帶電」，從而導致操作人員觸電。
- 使用夾具或採取其他可行的方法，將工件固定、支撐到穩定的平台上。手持或用身體頂住工件都是不穩定的，並會導致操作失控。

- 請佩戴護目鏡或其他護目裝備。鏈擊會引致碎片飛散。飛散的顆粒可以對眼睛造成永久傷害。請在產生粉塵的環境佩戴面罩或口罩。大多數環境需要佩戴聽力保護器。
- 時刻緊握工具。必須使用雙手操作本工具。建議任何時候均使用側手柄。使用單手操作本工具會導致操作失控。刺破或遇到堅硬材料如鋼筋亦會導致危險。使用之前必須扭緊側手柄。
- 切勿長時間操作此工具。電動鏈產生的震動可能令您的雙手和手臂受傷。請佩戴手套加強保護，而且經常稍作休息，減少承受的震力。
- 請勿自行整修鑽頭。鑿子應由授權技師整修。不正確地整修鑿子可能導致傷害。
- 操作本工具或更換鑽頭時請佩戴手套。操作時本工具可接觸的金屬部件和鑽頭溫度可能會非常高。破碎的材料可能會導致雙手受傷。
- 除非鑽頭已完全停止旋轉，否則請勿放下工具。旋轉中的鑽頭可能會導致傷害。
- 請勿使用鏈子敲打卡住的鑽頭。金屬碎屑或材料切屑可能會彈出和導致傷害。
- 稍有磨損的鑿子可以透過打磨磨尖。
- 讓電線遠離旋轉中的鑽頭。請勿使用身體纏繞電線。纏繞在旋轉中的鑽頭附近的電線可能會導致人身傷害或失控。

剩餘風險

使用電鏈有以下固有危險：

- 接觸工具的旋轉部件或高溫部件導致的傷害。即使應用有關的安全規定並採用安全設備，仍然還有一些無法避免的剩餘風險。危險包括：
- 聽力受損。
- 更換配件時擠壓手指的危險。
- 在混凝土和/或磚石工作環境下產生的可吸入粉塵對健康的危害。

電氣安全

電動機只適用一種電壓。請務必檢查電池組電壓是否與銘牌一致，並且確保充電器的電壓與電源電壓一致。



DEWALT 充電器根據 IEC60335 進行雙重絕緣，因此不需要使用接地線。

若電源線損壞，必須使用 DEWALT 維修機構提供的專用電線進行更換。

妥善保存這些安全指示

充電器

DeWALT 充電器無需調節，專為盡可能輕鬆使用而設計。

所有電池充電器之重要安全指示

妥善保存這些安全指示：本手冊包含有關相容電池充電器的重要安全及操作指示（請參閱**技術資料**）。

- 在使用充電器之前，請先閱讀所有指示以及充電器、電池組和使用電池組的產品上的警告標記。

警告：觸電危險。切勿讓任何液體進入充電器，否則可能會導致觸電。

警告：建議使用漏電流額定值不超過 30mA 的漏電流保護裝置。

小心：燒傷危險。為了減低受傷風險，只可以使用 DeWALT 可充電電池。其他非原廠電池可能會爆裂，導致人身傷害和損害。

小心：必須監督小孩，確保他們沒有耍弄器具。

註：在某些情況下，充電器連接到電源後，充電器內暴露的充電觸頭會被異物導致短路。導電的異物，包括但不限於鋼絲絨、鋁箔紙或任何由金屬粒子組成的物件，必須要遠離充電器範圍。充電器裡沒有電池組時，一定要拔掉充電器的電源。請先拔掉電源插頭後再清潔充電器。

- 切勿嘗試使用本手冊未提到的充電器替電池組充電。充電器與電池組專為搭配使用而特別設計。

- 除了為 DeWALT 可充電電池充電之外，這些充電器不可以用於其他用途。否則可能會導致火災、觸電或觸電致死。

- 請勿將充電器暴露在雨、雪之中。

- 中斷充電器的電源時，請拔除插頭而非拉扯電線。這樣會降低電源插頭及電線損壞的風險。

- 請確保電線的位置不會遭踐踏、令人絆倒，或引起其他方式的損壞或受壓。

- 除非絕對需要，否則請勿使用延長電線。使用不適當的延長電線會引起火災、觸電或觸電致死。

- 請勿將任何物件放在充電器上面，或是把充電器放在可能會堵住通風槽的柔軟表面，導致充電器的內部過熱。請將充電器放到遠離熱源的位置。充電器透過外殼頂部及底部的槽散熱。

- 切勿操作電線或插頭損壞的充電器，請立即予以更換。

- 如果充電器受到重擊、墜落或出現其他損壞情況，請勿使用充電器，並拿到授權維修中心修理。

- 切勿自行拆卸充電器。需要維護或修理時，請拿到授權維修中心。重新組裝不當可能會導致觸電、觸電致死或火災。

- 若電源線損毀，必須由製造商、服務代理或類似合格人員立即更換以避免發生危險。
- 在清潔之前，請將充電器的插頭從電源插座上拔掉，這樣可以減低觸電風險。取出電池組並不能降低該風險。
- 切勿試圖將兩個充電器連接在一起。
- 充電器是為標準 110 伏特的家用電源而設計。切勿試圖使用其他電壓。本規定不適用於車載充電器。

使用延長纜線

如非絕對必要，否則不要使用延長電線。請使用與充電器的輸入功率相配的認可延長電纜（請參閱**技術資料**）。導電體的最小橫截面尺寸為 1 平方公釐，最長為 30 米。

使用電纜捲筒時，每次必須把電纜完全展開。

為電池充電（圖 B）

注意：請參見充電器上指示燈附件的標籤，了解開關和閃爍模式。較老的充電器可能有額外信息和/或有一個黃色指示燈，同時僅配有一個紅色指示燈。

- 先將充電器插入適當的插座中，再插入電池。
- 將電池 6 充分插入到位。左側指示燈指示燈會持續閃爍紅光，表示充電已經開始。對於二級充電器，這表示正在進行一級充電。此時，電池會恢復大多數電量。
- 對於一級充電器，當左側指示燈發出常亮紅光，同時右側指示燈熄滅，表示充電已經結束。對於二級充電器，左側指示燈發出常亮紅光，同時右側指示燈閃爍紅光，表示正在進行二級充電。電池的電量將被充滿。當兩側指示燈均為常亮紅色時，表示二級充電已完成。充電完成後，可以取出電池，也可將其留在充電器內。

此充電器不能為故障的電池充電。若指示燈不亮，表示充電器可能存在問題，或電池有故障。請停止使用並將充電器和電池送至授權服務中心。

注意：如需取下電池，在一些充電器上，需要按壓釋放按鈕。

充電器操作

如需瞭解電池組的充電狀態，請參閱以下指示燈。

指示燈

	階段 1 充電		
	階段 2 充電		
	電量已充滿		
	電池組熱/冷延遲*		

*紅燈會繼續閃爍，但在執行此操作期間黃色指示燈將亮起。電池組達到適當溫度後，黃色指示燈將熄滅，充電器將恢復充電程序。

此兼容充電器不能為故障的電池組充電。充電器會透過不亮燈來表示電池組故障。

注意：亦有可能是充電器發生故障。

如果充電器指出故障，請將充電器和電池組拿到授權維修中心進行測試。

電池組熱/冷延遲

當充電器偵測到電池組過熱或過冷，就會自動啟動電池組熱/冷延遲，在電池組達到適合的溫度之前暫停充電。然後，充電器會自動轉換到電池組充電模式。此功能可確保電池組的使用壽命最大化。

冷電池組的充電速度大約是暖電池組的一半。在整個充電週期，電池組會以較慢的充電速度進行充電，即使電池組變暖，充電速度亦不會回復至最大充電速度。

DCB118 充電器具有專為冷卻電池組而設計的內部風扇。在需要冷卻電池組時，風扇會自動開啟。若風扇運作不正確或通風槽堵塞，切勿操作充電器。請勿讓異物進入充電器內部。

電子保護系統


XR 鋰離子工具的設計具有電子保護系統，可保護電池組，避免過載、過熱或深度放電。

如果電子保護系統啟動，本工具會自動關閉。如果出現此情況，請將鋰離子電池組放進充電器直到電力全滿。

牆面安裝

這些充電器經過精心設計，可以安裝在牆面上或立在桌面或工作表面上。若採用牆面安裝，請將充電器安裝在電源插座連接範圍內的位置，並遠離角落或可能阻礙空氣流動的障礙。將充電器的背面用作在牆面上確定安裝螺絲位置的型板。使用長度至少 25.4 公釐、螺頭直徑為 7-9 公釐的牆面螺絲（另售）牢固安裝充電器，旋進木料的最佳深度為螺絲大約有 5.5 公釐長度露在木料外。將露出的螺絲與充電器背面的槽對齊，並完全接合到槽中。

充電器清潔指示

 **警告：觸電危險。在清潔之前，請將充電器的插頭從 AC 電源插座上拔掉。** 使用軟布或非金屬軟刷，去除充電器外部的污垢和油脂。請勿使用水或任何清潔劑。不要讓任何液體進入工具；不要讓工具的任何部分浸入液體中。

電池組

所有電池組之重要安全指示

購買更換電池組時，務必附上目錄號和電壓資料。

包裝內的電池組並未完全充電。在使用電池組和充電器之前，請先閱讀以下安全指示，並遵循所列的充電程序。

請閱讀所有指示

- **不要在易爆環境，如有易燃液體、氣體或粉塵的環境中進行充電或使用電池。** 將電池組放進充電器或拆除電池可能會點燃粉塵或氣體。
- **切勿強行將電池放進充電器。切勿以任何方式改裝電池組以在不相容的充電器中使用，否則電池組可能會破裂，導致嚴重人身傷害。**
- 只可使用 DEWALT 充電器為電池充電。
- **切勿**將水分或其他液體飛濺到電池組或將電池組浸沒。
- **請勿在溫度可能達到或超過 40°C (104°F) 的地方 (例如夏季的室外貨棚或金屬建築物) 儲存或使用本工具及電池組。**
- **即使電池組已嚴重損毀或磨損，請勿焚燒電池組。** 電池組可能會在火中爆炸。灼燒鋰離子電池組時會產生有毒氣體和物料。
- **如果電池液體接觸到皮膚，請立即以中性肥皂和清水沖洗接觸範圍。** 若電池液體進入眼睛，請睜開眼睛，用清水沖洗 15 分鐘或直到不適感消失為止。如果需要接受治療，電池的電解質由液化有機碳酸鹽和鋰鹽構成。
- **開啟的電池中的物質可能會導致刺激呼吸道。** 請轉移至空氣流通處。如果症狀持續，請尋求醫療協助。



警告：燒傷危險。 電池液如遇到火花或火焰可能會引起燃燒。



警告：不論是因為任何理由，都不要嘗試打開電池。如果電池組的外殼破裂或損毀，請勿放進充電器。切勿撞擊、摔落或出現其他損壞情況的電池組或充電器（例如釘子刺穿、以鋸子敲打或踩踏）。否則可能會引起觸電或觸電致死。損毀的電池組應該送回維修中心進行回收。



警告：火災危險。切勿在儲存或搬運電池組時讓金屬物件接觸暴露的電池兩極。 例如，請勿將電池組放在帶有鬆動的釘子、螺絲、鑰匙等的地方（如圍裙、口袋、工具箱、產品包裝箱、抽屜等）。



小心：不使用工具時，請將工具放在穩定的表面上，以免導致絆倒或墜落等危險。 一些具有大型電池組的工具可以直立但可能會輕易被撞到。

運輸



警告：火災危險。 電池運輸途中，若兩極意外接觸導電材料，可能會引發火災。運輸電池時，確保電池兩極受到保護並與可能接觸兩極並導致短路的材料隔絕。

DeWALT 電池符合行業和法律標準（包括聯合國危險貨物運輸建議書、國際航空運輸協會（IATA）危險物品處理規則、國際海運危險物品（IMDG）處理規則以及國際公路運送危險物品歐洲協議（ADR）規定的所有適用運輸規章。鋰離子電池和電池組均已根據《聯合國危險貨物運輸建議書測試與標準手冊》第 38.3 節的規定進行測試。

大多數情況下，不會將運輸 DeWALT 電池組分歸為完全管制的第 9 類危險品。一般只有在運輸中包含額定能量大於 100 瓦時（Wh）的鋰離子電池時，才會將其分歸為完全管制的第 9 類危險品。所有鋰離子電池外殼上均標註有瓦時等級。此外，由於規章的複雜性，DeWALT 不建議對鋰離子電池組單獨採用空運，不論其額定能量是多少瓦時，都是如此。若電池組的額定能量不超過 100 瓦時，可以同時空運工具與電池組（組合套件）。

無論運輸是否納入完全管制範圍內，運輸方均有責任諮詢瞭解針對包裝、標籤/標記及單據要求的最新規定。

手冊本節資訊基於良好商譽原則提供，在編製文件時被視為準確無誤，但不提供任何明示或暗示的保證。買方負有確保其行為遵守適用法規的責任。

運輸 FLEXVOLT™ 電池

DeWALT FLEXVOLT™ 電池有兩種模式：**使用與運輸**。

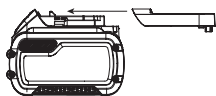
使用模式：若 FLEXVOLT™ 電池單獨使用或在 DeWALT 18 伏特（最大 20 伏特）產品中使用時，將作為 18 伏特（最大 20 伏特）電池運作。

若 FLEXVOLT™ 電池在 54 伏特（最大 60 伏特）或 108 伏特（最大 120 伏特）（兩個 54 伏特（最大 60 伏特）電池）產品中使用，將作為 54 伏特（最大 60 伏特）特電池運作。

運輸模式：將護蓋連接至 FLEXVOLT™ 電池時，電池將處於運輸模式。在運輸時，請將護蓋保留在電池上。在運輸模式下，若將電池組內的一連串電池中斷電氣連接，會導致 3 個電池各自的瓦時（Wh）額定值低於 1 個電池組的瓦時額定值。

這樣電池數量雖然增加到 3 個，但瓦時額定值更低，因此能避開針對較高瓦時電池的運輸規章。

例如，若運輸瓦時額定值為 3x40 瓦時，表示運輸 3 個電池，每



使用與運輸標籤標記的示例



個電池的額定值為 40 瓦時。使用瓦時額定值可能為 120 瓦時（表示 1 個電池）。

儲存建議

1. 乾燥、涼爽、太陽不會直接照射、不會過熱或過冷的地方，就是電池組的最佳存放地點。為達到最大效能和使用壽命，不使用電池時請以室溫儲存電池組。
2. 欲長期儲存，建議將電力全滿的電池組從充電器卸下，儲存於涼爽、乾燥處，使電池組效能達到最佳。

註：電池組不應在電力耗盡的情況下儲存。在使用之前，電池組必須再次充電。

充電器和電池組上的標籤

除了本手冊的圖示之外，充電器和電池組上的標籤包含以下圖示：



使用前請閱讀使用手冊。



充電時間請見**技術資料**。



切勿插入導電體。



切勿為損毀的電池組充電。



切勿接觸水份。



立即更換損壞的電線。



只在溫度介於 4°C 至 40°C 之間充電。



僅供室內使用。



棄置電池組時要顧及環保。



只使用指定的 DeWALT 充電器為 DeWALT 電池組充電。使用 DeWALT 充電器對指定的 DeWALT 電池以外的電池組充電會爆裂或導致其他危險情形。



切勿焚化電池組。



使用（無運輸電池蓋）。範例：瓦時額定值為 108 瓦時（具有 108 瓦時的 1 個電池）。



運輸（有內建運輸電池蓋）。範例：瓦時額定值為 3 x 36 瓦時（具有 36 瓦時的 3 個電池）。

電池類型

DCH333 使用 54V 伏特（最大 60 伏特）電池組。

請參閱**技術資料**瞭解更多資訊。

套裝內的物件

本套裝包括：

- 1 個 充電式電鎚鑽
- 1 個 側手柄和深度調節桿
- 1 個 充電器（N和NT版本不提供）
鋰電池組（N和NT版本不包含）
- 1 個 工具箱
- 1 本 使用手冊
- 檢查工具、部件或配件有否在運送途中損壞。
- 操作前，請抽空徹底地閱讀和掌握本手冊的內容。

工具上的標誌

工具上會附帶下列圖示：



使用前請閱讀使用手冊。



請佩戴聽力保護器。



請佩戴護目鏡。



可見輻射。請勿直視光源。

日期代碼位置

日期代碼，包括 製造年份，已經印刷在工具外殼上。

範例：

2024 XX XX

製造年份

說明（圖 A、D）



警告：切勿改動本電動工具或其任何部件。
否則可能導致損壞或人身傷害。

- | | |
|-----------|------------------|
| 1 變速開關 | 6 電池組 |
| 2 正/反轉按鈕 | 7 釋放按鈕 |
| 3 模式選擇器轉盤 | 8 主手柄 |
| 4 模式選擇器按鈕 | 9 SDS-Plus 工具夾持器 |
| 5 側手柄 | 10 套管 |

11 深度調節桿

13 工作燈

12 深度調節桿釋放按鈕

14 皮帶鉤

設計用途

本充電式電鎚鑽設計用於專業鑽孔、銼鑽、螺旋以及鑿打用途。

請勿在潮濕有水或存有易燃液體或氣體的環境下使用本工具。

本充電式電鎚鑽是專業電動工具。

不要讓兒童接觸本工具。缺乏經驗的操作人員需要在監督下使用本工具。

- **兒童和體弱者。** 兒童或體弱者在沒有他人監督的情況下不適宜使用本工具。
- 體力、感覺或智力不足，以及缺乏經驗、知識或技能的人員（包括兒童）不適合使用本產品，除非一旁有能為他們安全負責的監督人員。請勿讓兒童單獨接觸本工具。

過載離合器

若鑽頭卡住，鑽主軸的驅動器將會停止。由於會產生反向力，請務必使用雙手穩固地握住工具並站穩。過載後，先鬆開然後按下觸發器以重新接合驅動器。

機械離合器

這些工具安裝有機械離合器。聽見棘輪聲以及震動加劇可指示離合器已啟用。

防旋轉系統（圖 E）

除了離合器外，防旋轉系統採用嵌入式防旋轉技術，可檢測操作員是否失去電鎚控制，使操作員作業更舒適更安全。當偵測到卡鑽時，會立即降低扭矩和轉速。此功能可防止工具自行旋轉，降低手腕受傷的風險。防旋轉系統指示燈 **18** 將亮起以指示狀態。

指示燈	診斷	解決方案
關閉	工具正常運作	操作工具時，遵循所有警告及指示。
常亮	防旋轉系統已啟動（啟動中）	確保工具支撐牢固後，鬆開觸發器。再次按下觸發器時，工具會正常運作，指示燈會熄滅。

震動主動控制

為了達到最好的震動控制，請按**正確的雙手放置位置**部分所述握持工具。

震動主動控制可以減緩錘擊操作帶來的震動。透過減緩雙手和手臂的震動，可讓您舒適地操作較長時間，並延長工具的壽命。

鏈鑽只需要適量力度便可以啟動震動主動控制。過度用力並不會加快工具旋轉或鑿切的速度，亦不會啟動震動主動控制。

裝配與調整

警告: 為了減低造成嚴重人身傷害的風險，在進行任何調整、卸下或安裝附件或配件，或進行維修之前，切記關掉工具的電源並取出電池組。意外啟動工具可能會造成傷害。

警告: 請僅使用 DeWALT 電池組與充電器。

安裝及卸下電池組 (圖 B)

註: 請確保電池組 6 電力已完全充滿。

將電池組安裝到工具手柄中

1. 將電池組 6 與工具手柄內的軌道對齊 (圖 B)。
2. 將電池組滑入手柄，直到電池組在工具內緊緊固定並確保聽到鎖定到位的聲音。

卸下工具內的電池組

1. 按下釋放按鈕 7，將電池組從工具手柄中穩妥地拉出。
2. 按照本手冊有關充電器的章節所述，將電池組放進充電器。

電量計電池組

一些 DeWALT 電池組帶有包含三個綠色 LED 燈的電量計，可以指示電池組的剩餘電量。

若要啟用電量計，請按下並按住電量計按鈕 19。三個綠色 LED 燈將以組合方式亮起，以指示剩餘電量。電池電量低於可用限值時，電量計不會亮起，此時需要對電池充電。

註: 電量計只指示電池組的剩餘電量。它並不指示工具功能，且根據工具組件、溫度和最終使用者的應用而有所不同。

側手柄 (圖 A)

警告: 為減低受傷風險，務必在已正確地安裝側手柄的情況下操作本工具。否則可能會導致側手柄在操作時鬆脫並失控。使用雙手操作本工具避免失控。

側手柄 5 夾住齒輪箱的前端，並可以 360° 轉動以方便右撇子和左撇子使用。必須緊緊扭緊側手柄，以避免配件卡住或失速時工具發生旋轉。請確保緊握側手柄的遠端，以便在失速時仍能控制工具。

若要鬆開側手柄，請逆時針旋轉手柄。

調節深度調節桿 (圖 C)

1. 按住側手柄上的深度調節桿釋放按鈕 12。

2. 移動深度調節桿 11，使桿末端與鑽頭末端之間的距離等於所需的鑽孔深度。
3. 鬆開按鈕，將該桿鎖定到位。使用深度調節桿進行鑽孔時，請在桿末端到達材料表面時停止。

皮帶鉤 (圖 D)

可選配件

警告: 為降低嚴重人身傷害的風險，只能使用工具的皮帶鉤將工具掛在工作帶上。在使用過程中，請勿使用皮帶鉤將工具拴在或固定於人或物體上。請勿將工具懸掛在頭頂或將物體懸掛在皮帶鉤上。

警告: 為降低嚴重人身傷害的風險，請確保固定皮帶鉤的螺釘牢固。

重要提示: 安裝或更換皮帶鉤時，只能使用皮帶鉤隨附的螺絲 20。務必牢固地擰緊螺釘。

為了適應慣用左手或慣用右手的用戶，可以使用左側或右側主把手下方的插槽之一，並使用安裝在主把手下側的提供的螺釘 20 將皮帶鉤 14 連接到工具上處理。

如果根本不需要皮帶鉤，可以將其從工具上取下。

安裝皮帶鉤

1. 將皮帶鉤插入主手柄下方左側或右側的插槽之一。
2. 將螺絲安裝在主把手的下面。務必牢固地擰緊螺釘。

拆卸或移動皮帶鉤

1. 拆下位於主把手下側的螺絲。
2. 將皮帶鉤拉離主把手。
3. 將掛鉤插入主手柄下方左側或右側的插槽之一，或在主手柄下方安裝螺絲。務必牢固地擰緊螺釘。

鑽頭與鑽頭夾持器

警告: 燒傷危險。更換鑽頭時請務必佩帶手套。操作時本工具可接觸的金屬部件和鑽頭溫度可能會非常高。破碎的材料可能會導致雙手受傷。

視所需應用而定，電鏈鑽可以搭配不同的鑽頭。請僅使用鋒利的鑽頭。

鑽頭建議

- 對於木材，應使用麻花鑽頭、扁鑽頭、機械螺旋鑽頭或孔鋸。
- 對於金屬，應使用高速鋼麻花鑽頭或孔鋸。在金屬上鑽孔時使用切割潤滑劑。鑄鐵和黃銅是例外，它們應保持乾燥而直接鑽孔。
- 在磚石如磚、水泥、煤渣砌塊上鑽孔時，請使用適用於衝擊鑽孔操作的硬合金鑽頭。

SDS-Plus 鑽頭夾持器 (圖 F)

註： 搭配使用 SDS-Plus 工具夾持器與直柄鑽頭及六角螺絲起子鑽頭時，需要使用特殊的配接器。請參閱 **可選配件**。

若要插入鑽頭或其他附件：

1. 將鑽頭桿插入 SDS-Plus 工具夾持器中大約 19 公釐。
2. 將鑽頭向前推並旋轉直到鑽頭鎖入定位。鑽頭便會穩固地安裝。
3. 若要釋放鑽頭，請將套管 **10** 向後拉，然後卸下鑽頭。

操作

使用說明

警告： 務必遵守安全指示和適用的規則。

警告： 為了減低造成嚴重人身傷害的風險，在進行任何調整、卸下或安裝附件或配件，或進行維修之前，切記關掉工具的電源並取出電池組。意外啟動工具可能會造成傷害。

正確的雙手放置位置 (圖 E)

警告： 為了減低嚴重人身傷害的風險，請務必如圖示那樣正確放置雙手。

警告： 為了減低造成嚴重人身傷害的風險，預期有突然反作用力時務必握緊。

正確的雙手放置位置是一隻手放在主手柄 **8** 上，另一隻手握住側手柄 **5**。

操作模式 (圖 A)

警告： 工具運行時請勿選擇操作模式。

您的工具配有模式選擇轉盤 **3**，可藉此選取適合所需操作的模式。

符號	模式	應用
	旋轉鑽孔	螺旋操作 在鋼材、木材及塑膠上鑽孔
	旋轉錘擊	在混凝土及磚石上鑽孔
	僅錘擊	輕力鑿打

選取操作模式：

1. 按下模式選擇器釋放按鈕 **4**。

2. 旋轉模式選擇器轉盤，讓箭頭指向對應於所需模式的符號。

註： 模式選擇器 **3** 必須為旋轉鑽孔、旋轉錘擊或錘擊模式。並沒有三者之間的操作模式。將工具由「僅錘擊」模式切換為「旋轉」模式後，您可能需要稍稍運轉電動機以對齊齒輪。

執行應用 (圖 A)

警告： 為了減低造成人身傷害的風險，務必確保工件已穩固地固定或夾住。若要在薄的材料上鑽孔，請使用木塊墊住以預防材料損壞。

警告： 在更改旋轉方向之前，請務必等待直到電動機完全停止。

1. 選擇並在工具上安裝適當的夾頭、配接器及/或鑽頭。請參閱 **鑽頭與鑽頭夾持器**。
2. 使用模式選擇器轉盤 **3**，選取適合所需應用的模式。請參閱 **操作模式**。
3. 按需要調整側手柄 **5**。
4. 將鑽頭/鑿子放在所需位置。
5. 使用正/反轉按鈕 **2** 選取旋轉方向。要改變控制按鈕的位置時，請確保觸發器已經鬆開。
 - 若要選取正轉，請按下工具右邊的正/反轉控制按鈕。
 - 若要選取反轉，請按下工具左邊的正/反轉控制按鈕。
6. 按下觸發開關 **1**。您越用力按下觸發開關，工具的操作速度就越快。為了延長工具的壽命，請僅在鑽起始孔或緊固件時才使用變速。

註： 視工具而定，按下觸發開關會啟動用於照亮緊鄰工作表面的工作燈 **13**。請參閱 **說明**。工作燈會在鬆開觸發開關 20 秒後自動關閉。

警告：

- 請勿使用本工具來混合或泵打易燃或易爆液體 (揮發油、酒精等等)。
- 請勿使用本工具來混合或攪拌標有易燃標記的液體。

維護

DEWALT 電動工具採用卓越的設計，能夠長時間使用，並且只需最少的維護。若要持續獲得滿意的操作效果，需進行正確的工具維護和定期的清潔。

警告： 為了減低造成嚴重人身傷害的風險，在進行任何調整、卸下或安裝附件或配件，或進行維修之前，切記關掉工具的電源並取出電池組。意外啟動工具可能會造成傷害。

充電器和電池組是不可檢修的裝置。



潤滑

本電動工具毋需額外潤滑。



清潔



警告：一旦通風口及其周圍積聚可見的粉塵，請立即使用乾燥的壓縮空氣吹掉主機外殼內的粉塵和灰塵。執行此步驟時，請佩戴經認可的護目裝備和防塵面罩。



警告：切勿使用溶劑或其他刺激性化學品來清潔工具的非金屬部件。這些化學品可能會削弱部件中使用的材料。只能使用抹布蘸中性肥皂水進行清潔。不要讓任何液體進入工具；不要讓工具的任何部分浸入液體中。

選購配件



警告：由於非 DEWALT 所提供的配件未在本產品上進行過使用測試，在本產品上使用這些附件可能發生危險。為降低傷害危險，在本產品上只應使用 DEWALT 所推薦的配件。

您可選購不同種類的 SDS-Plus 鑽頭以及鑿子。使用的 SDS-Plus 配件和附件必須定期進行潤滑。

如需進一步瞭解適用配件的相關資訊，請洽詢當地代理商。

保護環境



分類回收。帶有此標誌的產品和電池必須與一般家庭廢物分開處置。

產品和電池包含可重複使用或回收的材料，可降低對原材料的需求。請根據當地法規回收電氣產品和電池。更多資訊，請造訪 www.2helpU.com。

可充電電池組

本電池組使用壽命長，如無法完成理應輕鬆完成的工作時，必須為電池組充電。在使用壽命結束時，請妥善處置以保護我們的環境：

- 使電池完全放電，然後將它從工具中卸下。
- 鋰離子電池是可回收的。請將它們送往您的代理商或當地的回收站。所收集的電池組將會再循環利用或妥善處置。

售後服務和維修

DEWALT 服務中心有經過培訓的專門人員，可向顧客提供高效、可靠的產品服務。如果您在未獲授權的服務中心進行維修，我們將不會承擔任何責任。您可以

查看產品包裝上的“客服中心位置”宣傳單頁，通過熱線電話、網站或社交媒體與我們聯繫，找到距離您最近的 DEWALT 服務中心。

進口商: 新加坡商百得電動工具(股)公司台灣分公司

地址: 台北市士林區德行西路 33 號 2 樓

電話: 02-28341741

總經銷商: 永安實業股份有限公司

地址: 新北市三重區新北大道二段 137 號

電話: 02-29994633

고성능 충전식 로타리 햄머

DCH333

축하합니다!

DeWALT 공구를 선택해 주셔서 감사합니다. 제품 개발과 혁신을 통한 다년간의 경험은 DeWALT를 전문 전동 공구 사용자들이 가장 믿을 수 있는 제품으로 만들어 왔습니다.

기술 데이터

DCH333		
전압	V_{dc}	54 (최대 60)
무부하 속도	분 ⁻¹	0-1000
무부하 분당타격수	bpm	0-4480
단일 타격력(EPTA 05/2009)	J	3.5
철금속/목재/콘크리트에서의 최대 천공 범위	mm	13/30/30
공구 홀더		SDS-plus
칼라 직경	mm	54
배터리 유형		리튬 이온
무게(배터리 팩 제외)	kg	3.7

배터리				충전기/충전 시간(분)						
카탈로그 번호	V_{dc}	Ah	무게 (kg)	DCB104	DCB107	DCB112 DCB1102	DCB115 DCB1104	DCB117 DCB1112	DCB118	DCB132
DCB606	18/54 (최대 20/60)	6.0/2.0	1.05	60	270	170	90	40	60	90
DCB609/DCB609G	18/54 (최대 20/60)	9.0/3.0	1.46	75*	420	270	135*	60	75*	135*
DCB612	18/54 (최대 20/60)	12.0/4.0	1.44	120	540	350	180	80	120	180
DCB615	18/54 (최대 20/60)	15.0/5.0	2.12	125	730	450	230	90	125	230
DCB180	18 (최대 20)	3.0	0.62	45	140	90	45	45	45	45
DCB182	18 (최대 20)	4.0	0.61	60/40**	185	120	60	60/40**	60/40**	60
DCB183	18 (최대 20)	2.0	0.40	30	90	60	30	30	30	30
DCB184/DCB184G	18 (최대 20)	5.0	0.62	75/50**	240	150	75	75/50**	75/50**	75
DCB187	18 (최대 20)	3.0	0.54	45	140	90	45	45	45	45
DCB186	18 (최대 20)	6.0	0.95	60	270	170	90	60	60	90
DCB208	18 (최대 20)	8.0	0.95	70	360	240	120	70	70	120
DCBP034	18 (최대 20)	1.7	0.32	27	82	50	27	27	27	27
DCBP520	18 (최대 20)	5.0	0.75	50	240	150	75	50	50	75

*날짜 코드 2018114758 또는 그 이후

**날짜 코드 201536 또는 그 이후


***배터리 충전 시간 매트릭스는 참고용으로만 제공됩니다. 충전 시간은 배터리의 온도와 상태에 따라 다릅니다.


정의: 안전 지침

다음 정의는 각 경고 문구의 심각도를 설명합니다. 사용 설명서를 읽고 다음 기호들에 유의하십시오.



위험: 절박한 위험 상태를 나타내며, 방지하지 않으면 사망 또는 심각한 부상을 초래합니다.


 **경고:** 잠재적 위험 상태를 나타내며, 방지하지 않으면 **사망 또는 심각한 부상을** 초래할 수 있습니다.

 **주의:** 잠재적으로 위험한 상태를 나타내며, 방지하지 않으면 **경미하거나 가벼운 부상을** 초래할 수 있습니다.


참고: 신체 부상을 초래하지 않는 행위를 나타내며, 방지하지 않으면 **재산상의 손해가** 발생할 수 있습니다.

 감전 위험을 나타냅니다.

 화재 위험을 나타냅니다.

 **경고:** 부상 위험을 줄이려면 사용 설명서를 숙지하십시오.

전동 공구에 관한 일반 안전 경고

 **경고:** 안전 경고와 지시 사항을 모두 읽으십시오. 경고와 지시 사항을 준수하지 않으면 감전, 화재 및/또는 심각한 부상을 초래할 수 있습니다.

항후 참고할 수 있도록 모든 경고 및 지시 사항을 보관해두십시오.

경고에서 사용된 "전동 공구"라는 용어는 주 공급 전원에 의해 전기가 공급되는(유선) 전동 공구 또는 충전식(무선) 전동 공구를 의미합니다.

1) 작업장 안전

- 작업장을 항상 청결하고 밝게 유지하십시오.** 혼잡하거나 어두운 작업장에서는 사고가 발생하기 쉽습니다.
- 가연성 액체, 가스 또는 먼지 등 폭발 가능성이 있는 환경에서 전동 공구를 사용하지 마십시오.** 전동 공구에서 먼지나 가스를 발화시킬 수 있는 불꽃이 될 수 있습니다.
- 전동공구를 사용하는 공간에는 어린이 또는 주변 사람들이 가까이 오지 못하도록 하십시오.** 주변이 산만해져 통제력을 잃을 수 있습니다.

2) 전기 안전

- 전동공구의 플러그는 콘센트와 형식이 일치해야 하며, 플러그를 어떤 형태로든 개조하지 마십시오.** 또한 접지된 전동공구에 다른 어댑터 플러그를 사용하지 마십시오. 개조되지 않은 플러그 및 형식이 일치하는 콘센트를 사용하면 감전 위험이 줄어듭니다.
- 파이프 관, 라디에이터, 렌지, 냉장고 등의 접지 표면에 물이 닿지 않도록 하십시오.** 몸에 닿을 경우 감전이 될 위험이 높아집니다.

- 전동 공구를 비 또는 습한 환경에 노출하지 않도록 주의하십시오.** 전동 공구에 물이 들어가면 감전 위험이 높아집니다.
- 코드를 함부로 다루지 마십시오.** 코드를 사용하여 전동 공구를 운반하거나 잡아당기거나 플러그를 뽑지 마십시오. 전열코드가 열기 또는 오일과 접촉되는 것을 피하고, 날카로운 모서리 또는 기기의 기둥 부위에 닿지 않도록 주의 하십시오. 코드가 손상되거나 얽혀 있으면 감전 위험이 높아집니다.
- 전동 공구를 실외에서 사용할 때는 실외 사용에 적합한 연장 코드를 사용하십시오.** 실외 사용에 적합한 코드를 사용하면 감전 위험이 줄어듭니다.
- 전동공구를 습한 공간에서 사용할 경우, 반드시 누전 차단기를 사용하십시오.** 누전 차단기(RCD)를 사용하면 감전의 위험이 줄어듭니다. 누전 차단기(RCD)를 사용하면 감전의 위험이 줄어듭니다.

3) 신체 안전 사항

- 전동 공구로 작업할 때는 방심하지 말고 작업에 주의하면서 상식에 따르십시오.** 피곤한 상태이거나 약물, 술, 치료제를 복용한 상태에서는 전동 공구를 사용하지 마십시오. 전동 공구를 사용하는 중에 주의력을 잃어 순간적으로 부상을 당할 수 있습니다.
- 신체 보호 장비를 착용하십시오.** 항상 보안경을 착용하십시오. 적합한 상황에서 방진 마스크, 미끄럼 방지 안전화, 안전모 또는 청력 보호 기구 등의 보호 장비를 사용하면 신체 부상 위험이 줄어듭니다.
- 의도하지 않은 장비 가동 방지.** 전원 및/또는 배터리 팩에 연결한 상태로 공구를 선택 또는 운반할 때는 사전에 스위치가 꺼짐 위치에 있는지 반드시 확인하십시오. 스위치가 켜짐 위치에 있는 상태에서 스위치에 손가락이 닿은 상태로 전동 공구를 운반하거나 전동 공구에 전원을 공급하면 사고가 발생합니다.
- 전동 공구를 켜기 전에 모든 조정 키 또는 렌치를 제거하십시오.** 전동 공구의 회전 부품에 렌치나 키가 부착되어 있으면 부상을 당할 수 있습니다.
- 무리하게 팔을 뻗지 마십시오.** 항상 올바른 자세로 서서 균형을 유지하십시오. 안정된 자세로 작업을 할 경우 전동 공구를 안전하게 사용할 수 있습니다.
- 적절한 작업복을 착용합니다.** 헐렁한 옷이나 장신구를 착용하지 마십시오. 머리카락, 옷 및 장갑이 움직이는 부품에 닿지 않도록

유의하십시오. 험령한 옷, 장신구 또는 긴 머리가 움직이는 부품에 낄 수 있습니다.

- g) 먼지 배출 및 집진 시설 연결을 위한 장치가 제공된 경우, 이들 장치가 연결되어 적절히 사용되고 있는지 반드시 확인하십시오. 집진 장치를 사용하면 먼지와 관련된 위험을 줄일 수 있습니다.
- h) 장치를 자주 사용함으로써 생긴 익숙함으로 인해 현실에 안주하거나 공구 안전 원칙을 무시하지 않도록 하십시오. 부주의한 작동은 순식간에 심각한 부상을 야기할 수 있습니다.

4) 전동 공구 사용 및 관리

- a) 전동 공구에 무리한 힘을 가하지 마십시오. 해당 용도에 맞는 올바른 전동 공구를 사용하십시오. 올바른 전동 공구를 사용해야 설계된 속도로 작업을 더욱 안전하고 정확하게 수행할 수 있습니다.
- b) 스위치 켜짐/꺼짐이 되지 않는 전동 공구는 사용하지 마십시오. 스위치로 제어되지 않는 전동 공구는 위험하므로 수리해야 합니다.
- c) 전동 공구를 조정하거나 액세서리를 변경하거나 보관하기 전에 전원 및/또는 배터리 팩에서 플러그를 뽑으십시오. 이러한 예방적 안전 조치를 따라야 전동 공구가 갑자기 작동할 위험이 줄어듭니다.
- d) 사용하지 않는 전동 공구는 어린이의 손이 닿지 않는 곳에 보관하고, 전동 공구나 본 지시 사항에 익숙하지 않은 사람이 전동 공구를 절대 사용하지 못하게 하십시오. 전동공구에 대한 훈련을 받지 않은 사용자가 전동공구를 함부로 다룰 경우 예기치 않은 사고를 초래 할 수 있습니다.
- e) 전동 공구 유지 보수, 움직이는 부품의 잘못된 정렬이나 바인딩, 부품 파손 및 기타 전동 공구의 작동에 영향을 미칠 수 있는 기타 모든 상태를 확인하십시오. 손상된 부분이 있는 경우 사용하기 전에 전동 공구를 수리하십시오. 많은 사고는 전동 공구를 제대로 유지 보수하지 않아 발생합니다.
- f) 절단 공구를 예리하고 깨끗한 상태로 유지하십시오. 절삭 가장자리를 예리하게 잘 유지하면 절삭기를 사용할 때 바인딩이 적고 다루기가 용이합니다.
- g) 작업 환경과 수행할 작업을 고려하여, 본 지시 사항에 따라 전동 공구, 액세서리 및 톨 비트 등을 사용하십시오. 본 사용 설명서의 내용과 다른 용도로 전동 공구를 사용하면 위험한 상황이 발생할 수 있습니다.

- h) 핸들과 잡는 표면은 건조하고 깨끗한 상태를 유지하고 오일/기름이 묻지 않도록 하십시오. 미끄러운 핸들과 잡는 면은 예기치 못한 상황에서 안전한 취급과 공구 관리를 보장하지 않습니다.

5) 배터리 공구 사용 및 관리

- a) 다시 충전할 때는 제조업체에서 지정한 충전기만 사용하십시오. 한 배터리 팩 유형에 적합한 충전기를 다른 배터리 팩과 함께 사용할 경우 화재의 위험이 있습니다.
- b) 전동 공구를 사용할 때는 구체적으로 지정되어 있는 배터리 팩만 사용하십시오. 다른 배터리 팩을 사용하면 부상을 입거나 화재의 위험이 있습니다.
- c) 배터리 팩을 사용하지 않을 때에는 클립, 동전, 키, 못, 나사 등의 금속 물체나, 단자 간에 연결할 수 있는 작은 금속 물체가 닿지 않도록 멀리 두십시오. 배터리 단자가 단락되면 화상을 입거나 화재가 발생할 위험이 있습니다.
- d) 배터리를 과다 사용하면 배터리액이 흘러 나올 수 있는데 접촉을 피하십시오. 실수로 접촉한 경우에는 물로 씻으십시오. 액체가 눈에 들어가면 치료를 받으십시오. 배터리에서 나온 액체는 통증을 유발하거나 화상을 입힐 수 있습니다.
- e) 손상되거나 변경된 배터리 팩 또는 공구를 사용하지 마십시오. 손상되거나 개조된 배터리는 예측할 수 없는 작용을 보여, 화재, 폭발 또는 부상 위험을 야기할 수 있습니다.
- f) 배터리 팩 또는 공구를 불이나 과도한 온도에 노출하지 마십시오. 불 또는 130° C 이상의 온도에 노출되면 폭발할 수 있습니다.
- g) 모든 충전 지침을 따르고 배터리 팩 또는 공구를 설명서에 지정된 범위 밖의 온도에서 충전하지 마십시오. 적절하지 않게 충전하거나 지정된 범위 밖의 온도에서 충전하면 배터리가 손상되어 화재 위험이 증가될 수 있습니다.

6) 정비

- a) 자격을 갖춘 기술자가 동일 교체 부품을 사용하여 정비 작업을 수행해야 합니다. 그래야 전동 공구의 안전이 보장됩니다.
- b) 손상된 배터리 팩을 정비하지 마십시오. 배터리 팩은 제조업체 또는 공인 서비스 공급업체를 통해서만 점검을 받아야 합니다.

로타리 햄머 관련 추가 안전 지시 사항

- 귀 보호 장구를 착용하십시오. 소음에 노출되면 청력이 손상될 수 있습니다.

- **공구와 함께 제공되는 사이드 핸들을 사용하십시오.** 제어력을 잃으면 신체 부상을 당할 수 있습니다.
- **절삭 액세서리가 숨겨진 배선 또는 차체 코드에 접촉할 수 있는 작업을 수행할 때는 절연된 손잡이 표면만 닿도록 하여 전동 공구를 잡으십시오.** "전류가 흐르는" 전선에 접촉된 절삭 액세서리는 전동 공구의 노출된 금속 부품을 "전류가 흐르는" 상태로 만들어 작업을 감전시킬 수 있습니다.
- 클램프 또는 다른 적절한 방식을 이용하여 안정된 작업대에 작업 공구들을 고정 및 지지하십시오. 작업물을 손으로 잡거나 몸에 지지하는 행동은 불안정하며, 제어력을 잃을 수 있습니다.
- 안전 고글 또는 기타 눈 보호 장구를 착용하십시오. 햄머 작업 시 파편이 날아갈 수 있습니다. 파편이 날아가 눈이 영구적으로 손상될 수 있습니다. 먼지가 발생하는 용도에 사용할 때는 마스크 또는 방독 마스크를 착용하십시오. 대부분의 경우에 귀 보호 장구가 필요할 수 있습니다.
- 항상 공구를 단단히 잡으십시오. 공구를 양 손으로 잡지 않고 이 공구를 작동하려고 시도하지 마십시오. 항상 사이드 핸들을 사용하는 것이 좋습니다. 한 손으로 이 공구를 사용하면 제어력을 잃을 수 있습니다. 강철봉과 같은 단단한 재질을 뚫는 것 또한 위험할 수 있습니다. 사용하기 전에 사이드 핸들을 단단히 조이십시오.
- 본 공구를 장시간 사용하지 마십시오. 햄머 작동으로 인한 진동은 손과 팔에 유해할 수 있습니다. 장갑을 사용하여 추가 쿠션을 제공하고 종종 휴식을 취하여 진동에 의한 노출을 제한하십시오.
- 직접 비트를 재조정하지 마십시오. 치질 재조정은 공인 전문가가 수행하여야 합니다. 치질을 잘못 재조정하면 부상을 입을 수 있습니다.
- 공구를 작동하거나 비트를 교환할 때는 장갑을 착용하십시오. 공구가 작동되는 동안 접근하기 쉬운 공구와 비트의 금속 부품은 매우 뜨거울 수 있습니다. 깨진 재료의 조그마한 부분이 맨손에 상처를 낼 수 있습니다.
- 비트가 완전히 멈출 때까지 공구를 내려 놓지 마십시오. 비트가 움직이면 부상을 입을 수 있습니다.
- 팍 끼인 비트를 제거하기 위해 햄머로 치지 마십시오. 금속이나 금속 조각의 파편이 이동하여 부상을 입힐 수 있습니다.
- 약간 마모된 치질은 연마하여 다시 날카롭게 만들 수 있습니다.
- 전원 코드는 회전하는 비트 가까이에 두지 마십시오. 신체 부위에 코드를 감싸지 마십시오. 방적 비트

주위로 감싼 전기 코드가 신체 부상을 초래하여 제어력을 잃을 수 있습니다.

기타 발생 가능한 위험

로타리 햄머 사용 시 다음과 같은 위험이 따를 수 있습니다.

- 공구의 회전부를 만지거나 가열된 부위에 닿아 발생한 부상.

관련된 안전 규정을 준수하고 안전 장치를 사용한다고 해도 특정한 위험은 피할 수 없습니다. 이러한 위험은 다음과 같습니다.

- 청력 손상.
- 액세서리 교체 시 손가락이 눌리는 위험.
- 콘크리트 및/또는 석재 가공 시 발생한 먼지를 들이마셔서 발생할 수 있는 건강 위험.

전기 안전

전기 모터는 한 가지 전압에만 맞추어 설계되었습니다. 배터리 팩 전압이 명판에 기재된 전압과 일치하는지 항상 확인하십시오. 또한 충전기의 전압이 주전원의 전압과도 일치하는지 확인하십시오.



DEWALT 충전기는 IEC60335에 따라 이중 절연되어 있습니다. 따라서 접지선이 필요하지 않습니다.

전원 코드가 손상된 경우에는 DEWALT 서비스 센터를 통해 특수 제작된 코드로 교체해야만 합니다.

본 지침을 잘 보관해 두십시오.

충전기

DEWALT 충전기는 어떠한 조절 작업도 필요 없으며 최대한 작동하기 쉽게 설계되었습니다.

모든 배터리 충전기에 대한 중요한 안전 지침

본 지침을 잘 보관해 두십시오. 본 사용 설명서에는 호환이 되는 배터리 충전기에 대한 중요한 안전 및 작업 지침이 포함되어 있습니다([기술 데이터](#) 참조).

- 충전기를 사용하기 전에 충전기, 배터리 팩, 그리고 배터리 팩 관련 제품에 대한 지침과 주의 표시를 숙지하십시오.



경고: 감전 위험. 충전기 내부에 액체가 들어가지 않도록 하십시오. 감전될 수 있습니다.



경고: 정격 잔류 전류가 30mA 미만인 누전 차단기를 사용하는 것이 좋습니다.



주의: 화상 위험. 신체 부상의 위험을 줄이려면 DEWALT 충전용 배터리로만 충전하십시오. 다른 유형의 배터리는 폭발로 인한 신체 부상과 손상을 초래할 수 있습니다.



주의: 어린이가 본 제품을 가지고 놀지 못하도록 항상 주의해야 합니다.

참고: 특정 조건에서, 충전기가 전원 공급기에 연결되어 있으면 충전기 내부에 노출된 충전 접점이 이물질에 의해 단락될 수 있습니다. 철부스러기, 알루미늄 호일, 금속 입자 축적물 등의 전도성 이물질은 충전기 캐비티에 닿지 않게 해야 합니다. 캐비티 안에 배터리 팩이 없을 경우 항상 배터리 전원 공급기에서 충전기의 플러그를 뽑으십시오. 충전기를 청소할 때는 플러그를 뽑아야 합니다.

- **본 사용 설명서에 명시된 충전기 외의 다른 충전기로 배터리 팩을 충전하지 마십시오.** 본 충전기와 배터리 팩은 함께 사용하도록 특수 설계되었습니다.
- **이러한 충전기는 DEWALT 충전용 배터리 충전 이외의 용도로는 사용할 수 없습니다.** 다른 용도로 사용하면 화재, 감전 또는 감전사의 위험이 있습니다.
- **충전기가 비나 눈을 맞지 않도록 하십시오.**
- **충전기를 분리할 경우 코드가 아니라 플러그를 뽑으십시오.** 그래야만 전기 플러그 및 코드 손상의 위험이 줄어듭니다.
- **코드가 밟히거나 걸리거나 기타 원인에 의해 손상되거나 압박을 받지 않도록 유의하십시오.**
- **불가피한 경우가 아니면 연장 코드를 사용하지 마십시오.** 연장 코드를 잘못 사용하면 화재, 감전 또는 감전사의 위험이 있습니다.
- **충전기 위에 물건을 올려놓거나 부드러운 표면에 충전기를 두면 환기 슬롯이 막혀 내부가 과열될 수 있습니다.** 충전기는 열원에 가까이 두지 마십시오. 충전기는 하우징의 상단과 하단에 있는 슬롯을 통해 환기됩니다.
- **코드나 플러그가 손상된 충전기를 작동시키지 마십시오** - 즉시 교체하십시오.
- **심한 충격을 받았거나 떨어뜨렸거나 기타의 방식으로 손상된 경우에는 충전기를 작동시키지 마십시오.** 공인 서비스 센터로 가져가십시오.
- **충전기를 분해하지 마십시오.** 서비스나 수리가 필요한 경우에는 공인 서비스 센터로 가져가십시오. 잘못 재조립하면 화재, 감전 또는 감전사의 위험이 있습니다.
- **전원 코드가 손상된 경우 사고 방지를 위해 제조업체, 서비스 대리점 또는 이에 준하는 자격을 가진 수리 기술자를 통해 즉시 교체하십시오.**
- **청소하려면 먼저 충전기를 콘센트에서 분리하십시오.** 그래야 감전 위험이 줄어듭니다. 배터리 팩을 제거하는 것만으로 이러한 위험이 줄어들지는 않습니다.

- **절대로** 충전기 두 개를 함께 연결하지 마십시오.
- **충전기는 가정용 표준 전력(220~240V)으로 작동하도록 설계되어 있습니다. 다른 전압에서는 사용하지 마십시오.** 차량용 충전기는 제외됩니다.
- 전원 플러그를 하나의 콘센트(멀티탭)에 여러 제품을 동시에 사용하지 마십시오.
- 콘센트의 이상 발열로 화재의 원인이 됩니다 배터리 충전이 완료 되었거나 외출 시에는 충전기 전원 플러그를 빼십시오 감전, 누전 및 화재의 원인이 됩니다

연장 케이블 이용

연장 코드는 가급적 사용하지 마십시오. 사용 중인 전원공급기 정격전원에 맞는 승인된 연장 코드를 사용하십시오(**기술 데이터** 참조). 최소 도체 크기는 1 mm², 최대 길이는 30 m입니다.

케이블 릴을 사용할 때는 항상 케이블을 완전히 푸십시오.

배터리 충전(그림 B)

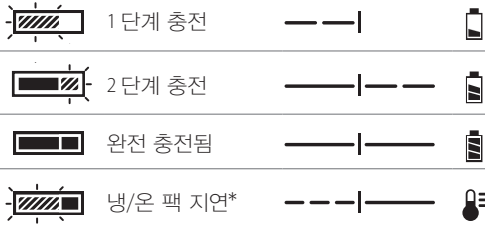
참고: 커짐/꺼짐 및 깜박임 패턴은 충전기 표시등 근처의 라벨을 참조하십시오. 구형 충전기에는 추가 정보가 있거나 노란색 표시등이 없을 수 있으며 빨간색 표시등이 하나만 장착되어 있을 수 있습니다.

1. 배터리 ⑥ 팩을 끼우기 전에 충전기를 적절한 콘센트에 꽂습니다.
2. 배터리 팩을 삽입하고 완전히 장착합니다. 왼쪽 표시등이 빨간색으로 계속 깜박여 충전 프로세스가 시작되었음을 나타냅니다. 2단계 충전기의 경우 이는 배터리 팩이 최대 용량까지 충전되는 1단계 충전을 나타냅니다.
3. 왼쪽 표시등이 빨간색으로 유지되고 오른쪽 표시등이 꺼진 상태로 유지되면 단일 스테이지 충전기의 충전이 완료된 것입니다. 2단계 충전기의 경우 왼쪽 표시등은 계속 빨간색으로 유지되고 오른쪽 표시등은 계속 빨간색으로 깜박이면서 배터리 팩이 최대 용량까지 충전되는 2단계 충전을 나타냅니다. 두 표시등이 계속 빨간색으로 유지되면 2단계 충전이 완료된 것입니다. 충전이 완료되면 배터리 팩을 꺼내서 사용하거나 충전기에 그대로 둘 수 있습니다.

충전기는 결함이 있는 배터리 팩을 충전하지 않습니다. 충전기가 켜지지 않으면 충전기에 문제가 있거나 배터리 팩에 결함이 있음을 나타낼 수 있습니다. 사용을 중단하고 둘 다 공인 서비스 센터로 가져가십시오.

참고: 배터리 팩을 제거하려면 일부 충전기는 배터리 팩 해제 버튼을 눌러야 합니다

표시기



*빨간색 표시등이 계속 깜박거리지만, 노란색 표시등은 이 작동동안 계속 켜져 있습니다. 배터리 팩이 적정 온도에 도달하면, 노란색 표시등이 꺼지고 충전기에서 충전 절차를 다시 시작합니다.

이 호환 충전기는 결함이 있는 배터리 팩은 충전하지 못합니다. 등이 켜지지 않도록 하여 배터리에 결함이 있음을 표시합니다.

참고: 이는 충전기 고장을 의미할 수도 있습니다.

충전기에 문제가 표시되는 경우 충전기와 배터리 팩을 공인 서비스 센터로 가져 가서 테스트를 받아 보십시오..

냉/온 팩 지연

충전기에서 너무 뜨겁거나 차가운 배터리 팩이 감지되면, 냉/온 팩 지연이 자동으로 시작되어 배터리 팩이 적절한 온도가 될 때까지 충전이 중단됩니다.

이 과정이 끝나면 충전기가 자동으로 팩 충전 모드로 전환됩니다. 이 기능은 배터리 팩 수명을 최대한으로 보장하기 위한 것입니다.

차가운 배터리 팩은 따뜻한 배터리 팩보다 더 느린 속도로 충전됩니다. 충전 사이클 전체에 걸쳐 배터리 팩은 이렇게 느린 속도로 충전되며 배터리 팩이 따뜻해지더라도 최대 충전 속도로 복원되지 않습니다. DCB118 충전기에는 배터리 팩을 식히기 위해 설계된 내장 팬이 장착되어 있습니다. 배터리 팩을 식혀야 하면 팬이 자동으로 켜집니다. 팬이 제대로 작동하지 않거나 환기구가 막혀 있을 경우 충전기를 작동하지 마십시오. 이물질이 충전기 내부로 들어가지 않도록 하십시오.

전자 보호 시스템

XR 리튬이온 배터리 팩은 배터리에 과부하가 걸리거나 과열 또는 완전 방전되는 것을 방지하는 전자 보호 시스템으로 설계되었습니다.

이 공구는 전자 보호 시스템이 작동하면 자동으로 꺼집니다. 이러한 경우 리튬 이온 배터리가 완전히 충전될 때까지 충전기에 리튬 이온 배터리 팩을 넣으십시오.

벽 장착

이들 충전기는 테이블 또는 작업 표면에 똑바로 세우거나 벽에 장착할 수 있도록 설계되었습니다. 벽에

장착하는 경우, 충전기는 전기 콘센트에 닿을 수 있는 범위 내에 놓고, 공기 흐름이 방해될 수 있는 코너 또는 기타 장애물로부터 멀리 두십시오. 벽에서 장착 나사의 위치는 견본으로 충전기의 뒤쪽을 사용하십시오. 나사 머리 직경이 7~9 mm인 최소 25.4 mm 길이의 석고보드 나사(별도 구매)를 사용해서 충전기를 단단히 장착하고, 노출된 나사의 약 5.5 mm를 남겨 두고 최적의 길이로 목재에 고정합니다. 충전기 뒤쪽의 구멍을 노출되어 있는 나사에 맞추고 구멍에 완전히 맞물리도록 하십시오.

충전기 청소 지침

경고: 감전 위험. 청소하려면 먼저 충전기를 AC 콘센트에서 분리하십시오. 형겔이나 부드러운 금속 이외 브러시로 충전기 외관 부분에 묻은 먼지 및 기름을 제거할 수 있습니다. 물이나 세척제를 사용하지 마십시오. 공구 내부에 액체를 넣거나 공구 부품을 액체에 담그는 행동은 절대 금물입니다.

배터리 팩

모든 배터리 팩에 대한 중요한 안전 지침

배터리 팩 교체를 하기 위해 주문할 때는 카탈로그 번호와 전압을 반드시 확인하고 표기해야 합니다. 배터리 팩은 포장박스에서 꺼낼 때 완전히 충전된 상태가 아닙니다. 배터리 팩과 충전기를 사용하기 전에 아래 안전 지침을 숙독하십시오. 그런 다음 설명된 충전 절차를 따르십시오.

모든 지시 사항을 읽으십시오.

- 가연성 액체, 가스 또는 먼지 등 폭발성 분위기에서 배터리를 충전하거나 사용하지 마십시오. 배터리를 끼우거나 충전기에서 분리할 때 먼지나 가스에 불이 붙을 수 있습니다.
- 충전기에 배터리 팩을 끼울 때 과도한 힘을 주지 마십시오. 어떤 형태로든 호환되지 않는 충전기에 사용하기 위해 배터리 팩을 개조하지 마십시오. 배터리 팩이 파열되어 심각한 부상을 유발할 수 있습니다.
- DeWALT 충전기에서만 배터리 팩을 충전하십시오.
- 물이나 기타 액체가 튀어 묻거나 액체에 빠지지 않도록 하십시오.
- 온도가 40 °C (104 °F)를 초과할 수 있는 곳(여름철 허름한 창고 또는 금속 건물 등)에 공구와 배터리 팩을 보관하거나 사용하지 마십시오.
- 배터리 팩이 심하게 손상되거나 완전히 낡았다더라도 절대 소각하지 마십시오. 배터리 팩은 불 속에서 폭발할 수 있습니다. 리튬이온 배터리 팩은 연소되면서 독성 연기와 물질을 발생시킵니다.

- **배터리 내용물이 피부에 닿으면 즉시 중성 세척제로 해당 부위를 씻으십시오.** 배터리액이 눈에 들어갔을 경우, 15분 정도 또는 통증이 가실 때까지 눈을 뜨고 물로 씻어냅니다. 치료가 필요한 경우를 위해, 배터리 전해질은 액체 유기 탄산염과 리튬염의 혼합물로 구성되어 있음을 알아 두십시오.
- **열린 배터리 셀의 내용물은 호흡기 질환을 일으킬 수 있습니다.** 신선한 공기를 마시십시오. 증상이 계속되면 치료를 받으십시오.

- ⚠ **경고: 화재 위험.** 배터리액은 불꽃이나 화염에 노출되면 연소될 수 있습니다.
- ⚠ **경고: 어떤 이유로든 배터리 팩을 절대 분해하지 마십시오.** 배터리 팩 케이스가 깨지거나 손상되면 충전기에 넣지 마십시오. 배터리 팩을 문개거나 떨어뜨리거나 손상시키지 마십시오. 강한 충격을 받았거나, 떨어뜨렸거나, 차에 치였거나 기타의 원인으로 어떤 방식으로든 손상된(못이 박히거나 망치로 맞았거나 밟힘) 배터리 팩이나 충전기는 사용하지 마십시오. 감전 또는 감전사의 위험이 있습니다. 손상된 배터리 팩은 재활용을 위해 서비스 센터에 반환해야 합니다.

- ⚠ **경고: 화재 위험.** 배터리 팩을 보관하거나 휴대할 때는 노출된 배터리 단자에 금속 물체가 닿지 않도록 하십시오. 예를 들어, 못, 나사, 키 등이 있는 앞치마, 주머니, 도구상자, 제품 키트 상자, 서랍 등에 배터리 팩을 두지 마십시오.

- ⚠ **주의: 사용하지 않는 공구는 걸려 넘어지거나 떨어질 위험이 없는 안정된 표면에 놓혀 두십시오.** 배터리 팩이 큰 일부 공구들은 배터리 팩 위에 바로 서 있지만 쉽게 넘어질 수 있습니다.

운반

- ⚠ **경고: 화재 위험.** 배터리를 운반할 때 배터리 단자가 실수로 전도성 물질과 닿을 경우 화재 위험의 가능성이 있습니다. 배터리를 운반할 경우에는 배터리 단자가 보호되어 있고, 물체에 닿을 경우 단락을 일으킬 수 있는 물체로부터 제대로 절연되어 있는지 확인하십시오.

DEWALT 배터리는 위험물운송규칙(Transport of Dangerous Goods), IATA (International Air Transport Association, 국제 항공 운송 협회) 위험물 규정, IMDG (International Maritime Dangerous Goods, 국제해상 위험물운송) 규칙 및 위험물 도로운송에 관한 ECE의 규칙(European Agreement Concerning The International Carriage of Dangerous Goods by Road, ADR)에 대한 UN 권고사항을 포함하여, 산업 및 법적 기준에 의한 규정에 따라 모든 해당 운송 규정을 준수하고 있습니다. 리튬 이온 전지 및 배터리는 위험

화물 테스트 및 기준 설명서에 대한 UN 권고 38.3항에 따라 테스트되었습니다.

대개의 경우에, DEWALT 배터리 팩 해상 운송은 완전 규제를 받는 Class 9 위험 물질로 분류되는 것에서 제외됩니다. 일반적으로, 에너지효율 등급이 100 와트시(Wh)보다 큰 리튬 이온 배터리를 포함하는 수송품만 완전 규제를 받는 Class 9에 따라 수송되어야 합니다. 모든 리튬 이온 배터리에는 팩에 와트시 등급이 표시되어 있습니다. 뿐만 아니라, 규정의 복잡성으로 인해 DEWALT는 와트 시 등급에 상관 없이 항공 운송 리튬 이온 배터리 팩을 단독으로 권장하지 않습니다. 배터리 팩의 와트시 등급이 100 Whr보다 크지 않을 경우는 제외됨으로 배터리(콤보 키트)가 포함된 공구의 수송품을 항공 운송할 수 있습니다. 수송품이 예외로 고려되지 또는 완전 규제를 받든지 상관없이, 포장, 라벨링/표시 및 문서 요건에 관한 최신 규정을 참고하는 것은 운송 회사의 책임입니다.

설명서의 본 섹션에서 제공하는 정보는 성실하게 제공되며 문서가 작성될 당시에는 정확한 것으로 간주합니다. 단, 명시적이거나 함축적으로 보증은 제공되지 않습니다. 활동 시 해당 규정을 준수하는 것은 구매자의 책임입니다.

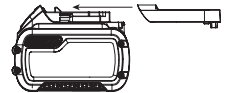
FLEXVOLT™ 배터리 운반

DEWALT FLEXVOLT™ 배터리에는 두 개의 모드, 즉 **사용** 및 **운반**이 있습니다.

사용 모드: FLEXVOLT™ 배터리는 독립되어 있거나 DEWALT 18V (최대 20V) 제품 안에 있을 경우, 18V (최대 20V) 배터리로 작동됩니다. FLEXVOLT™ 배터리는 54V (최대 60V)또는 108V (최대 120V) (두 개의 54V (최대 60V) 배터리) 제품이면, 54V (최대 60V) 배터리로 작동됩니다.

운반 모드: 캡이 FLEXVOLT™ 배터리에 장착되어 있으면, 배터리는 운반 모드에 있는 것입니다. 운송 시 캡을 유지하십시오.

운반 모드에 있을 때, 더 높은 와트시 등급의 배터리 1개에 비해 더 낮은 와트시(Wh)



등급의 배터리 3개가 되는 팩 내에서 일련의 셀은 전기 연결이 끊어져 있습니다. 와트시 등급이 더 낮은 이 증가된 배터리 3개 수량은 더 높은 와트시 배터리에 부과되는 특정 수송 규정에서 팩을 면제시킬 수 있습니다.

예를 들어, 운반 Wh 사용 및 운반 라벨 표시의 예 정격은 3 x 36 Wh 나타내며, 각 36 Wh 배터리 3개를 의미합니다.

Use: 108 Wh

Transport: 3x36 Wh

사용 Wh 정격은 108 Wh를 나타낼 수 있습니다(1개 배터리 포함)

보관 권장 사항

1. 보관 장소로는 직사광선을 받지 않고 지나치게 덥거나 춥지 않은 시원하고 건조한 곳이 가장 좋습니다. 최적의 배터리 성능과 수명을 위해, 사용하지 않을 때에는 배터리 팩을 실온에서 보관하십시오.
2. 장기간 보관하는 경우, 최적의 결과를 위해 완전히 충전된 배터리 팩을 충전기에서 분리하여 차갑고, 건조한 장소에 보관하는 것이 좋습니다.
3. 직사광선이 비치는 차량 내부에는 제품 또는 배터리를 보관하지 마십시오. 화재 또는 폭발의 원인이 됩니다.

참고: 배터리 팩은 완전히 방전된 상태로 보관해서는 안됩니다. 사용 전에 배터리 팩을 재충전해야 합니다.

충전기 및 배터리 팩에 부착된 라벨

본 설명서에 사용된 그림 외에도 충전기 및 배터리 팩에 부착된 라벨에는 다음과 같은 그림이 표시되어 있습니다.



사용 전에 사용 설명서의 내용을 숙지하십시오.



충전 시간은 **기술 데이터**를 참조하십시오.



전도성 있는 물체로 시험하지 마십시오.



손상된 배터리 팩을 충전하지 마십시오.



물에 닿지 않도록 하십시오.



손상된 코드는 즉시 교체하십시오.



4 °C ~ 40 °C 사이에서만 충전하십시오.



실내 전용.



환경 보호 차원에서 배터리 팩을 폐기하십시오.



지정된 DeWALT 충전기뿐만 DeWALT 배터리 팩을 충전하십시오. DeWALT 충전기에

지정된 DeWALT 배터리 이외의 배터리 팩을 충전하면 폭발하여 다른 위험한 상황으로 이어질 수 있습니다.



배터리 팩을 소각하지 마십시오.



사용(운반 캡 미포함). 예: Wh 정격은 108 Wh를 나타냅니다(108 Wh 배터리 1개).



운반(내장 운반 캡 포함) 예: Wh 정격은 3 x 36 Wh (36 Wh 배터리 3개)를 나타냅니다.

배터리 유형

DCH333는 54 볼트 (최대 60 볼트) 배터리 팩에서 작동합니다.

자세한 정보는 **기술 데이터**를 참조하십시오.

포장 내용물

포장에는 다음 내용물이 들어 있습니다.

- 1 충전식 로타리 햄머드릴
- 1 사이드 핸들 및 깊이 봉
- 1 충전기(N 및 NT 버전에는 포함되지 않음)
리튬 이온 배터리 팩 (N 및 NT 버전에는 포함되지 않음)
- 1 키트 박스
- 1 사용 설명서
- 운반 중에 발생할 수 있는 공구, 부품 또는 액세서리의 손상 여부를 확인하십시오.
- 작동 전에 시간을 내어 본 사용 설명서를 읽고 숙지하십시오.

공구에 표시된 마크

공구에는 다음과 같은 그림이 있습니다.



사용 전에 사용 설명서의 내용을 숙지하십시오.



귀 보호 장구를 착용하십시오.



보안경을 착용하십시오.



가시 방사선이므로, 쳐다보지 마십시오.

날짜 코드 위치

날짜 코드에는, 제조년도가 포함되며 이 제조년도는 케이스에 인쇄되어 있습니다.

예:

2024 XX XX

설명(그림 A, D)

! **경고:** 전동 공구 또는 전동 공구의 어떤 부품도 절대 개조하지 마십시오. 제품이 파손되거나 신체 부상을 당할 수도 있습니다.

- | | |
|---------------|---------------|
| 1 가변 속도 스위치 | 8 주 핸들 |
| 2 전진/후진 버튼 | 9 SDS-Plus 척 |
| 3 모드 전환레버 다이얼 | 10 슬리브 |
| 4 모드 전환레버 버튼 | 11 깊이 봉 |
| 5 사이드 핸들 | 12 깊이 봉 해제 버튼 |
| 6 배터리 팩 | 13 작업등 |
| 7 탈착 버튼 | 14 벨트 후크 |

용도

충전식 로타리 햄머드릴은 나사 조이거나 파쇄 작업 뿐 아니라 전문적인 드릴 및 햄머 드릴 작업에도 사용할 수 있도록 설계되었습니다.

습한 환경이나 가연성 액체 또는 가스가 있는 장소에서 사용하지 **마십시오**.

충전식 로타리 햄머드릴은 전문적인 전동 공구입니다. 어린이가 이 공구를 만지지 **않도록 하십시오**. 경험이 없는 작업자가 이 공구를 사용할 때는 감독자의 지도가 필요합니다.

- **어린이 및 노약자.** 본 제품은 어린이나 노약자가 사용하도록 설계되지 않았습니다. 이러한 사람이 사용할 때는 감독이 필요합니다.
- 본 제품은 안전 책임을 맡고 있는 사람이 감독을 하고 있지 않는 한 경험, 지식 또는 기술이 부족하고 신체적, 감각적 또는 정신적 능력이 미약한 사람(어린이 포함)이 사용하도록 고안된 것이 아닙니다. 이 제품과 함께 어린이만 혼자 두어서는 안됩니다.

과부하 클러치

드릴 비트가 걸릴 경우 드릴 스피들로 가는 구동력이 차단됩니다. 이로 인해 발생하는 반발력에 대비해 기기는 항상 양손으로 꼭 잡고 안정된 자세를 취하십시오. 과부하 후에는 트리거를 놓았다 놀러서 드라이브가 재작동되도록 합니다.

기계로 작동되는 클러치

이러한 공구에는 기계 작동식 클러치가 장착되어 있습니다. 클러치가 작동되었다는 표시는 진동이 커짐과 동시에 음향식 라체팅이 있습니다.

회전 방지 시스템(그림 E)

클러치 외에, 회전 방지 시스템은 사용자가 햄머를 제어할 수 없는 경우 감지할 수 있는 탑재된 회전 방지 기술을 통해 더 많은 사용자 편의와 안전을 제공합니다. 걸림이 감지되면 토크 및 속도가 즉시 감소됩니다. 이 기능은 공구의 자체 회전을 방지해서 손목 부상의 발생을 줄여줍니다.

상태를 표시하기 위해 회전 방지 시스템 표시기 **18** 가 점등됩니다.

표시기	진단	해결책
꺼짐	공구가 정상적으로 작동 중임	공구를 작동할 때는 모든 경고 및 지침을 준수하십시오.
계속 켜져 있음	회전 방지 시스템이 작동되었음 (작동됨)	공구가 올바르게 지지된 상태에서, 트리거를 놓으십시오. 트리거를 다시 누르면 공구가 정상적으로 작동하고 표시등이 꺼집니다.

능동 진동 제어 장치

가장 적합한 진동 제어를 위해서는 **올바른 손의 위치에** 설명된 대로 공구를 잡으십시오.

능동 진동 제어 장치는 햄머 기계 장치의 반향 진동을 완화시켜줍니다. 손과 팔의 진동을 줄여서 장시간 더 편안하게 사용할 수 있도록 하고 기기의 수명을 연장해 줍니다.

햄머는 능동 진동 제어 장치가 작동하도록 할 충분한 압력만 필요합니다. 너무 많은 압력을 가하면 공구 드릴 또는 치핑 작업을 더 빠르게 할 수 없고 능동 진동 제어 장치가 작동하지 않게 됩니다.

조립 및 조정

! **경고:** 심각한 신체 부상의 위험을 줄이려면 공구를 조정하거나 부착물/액세서리를 제거/설치하기 전이나 수리를 할 때는 공구를 끄고 배터리 팩을 분리하십시오. 공구가 갑자기 작동하여 부상을 당할 수 있습니다.

! **경고:** DEWALT 배터리 팩과 충전기만 사용하십시오.

배터리 팩 삽입 및 공구에서 배터리 팩 분리(그림 B)

참고: 배터리 팩 **6** 이 완전히 충전되었는지 확인하십시오.

배터리 팩을 공구 핸들에 설치하려면

1. 공구 핸들 안쪽의 레일에 배터리 팩 **6** 을 맞춥니다 (그림 B).
2. 공구에 배터리 팩이 견고하게 장착될 때까지 핸들에 밀어 넣고 딸깍하고 잠기는 소리가 들리는지 확인하십시오.

공구에서 배터리 팩을 분리하려면

1. 탈착 버튼 **7** 을 누르고 배터리 팩을 공구 핸들에서 완전히 빼냅니다.
2. 본 사용 설명서의 충전기 섹션에 설명된 대로 배터리 팩을 충전기에 삽입합니다.

잔량표시계 배터리 팩

일부 DEWALT 배터리 팩에는 배터리 팩의 남아 있는 충전 레벨을 표시하는 세 개의 녹색 LED 등으로 구성된 연료계가 포함되어 있습니다.

연료계를 작동시키려면, 잔량표시계 버튼 **19** 을 누릅니다. 녹색 LED 표시등 3개가 조합되어 커짐으로써 충전 잔량 수준을 나타냅니다. 배터리 잔량이 사용 가능한 한계치 미만이면 배터리 잔량표시계가 켜지지 않으며 배터리를 재충전해야 합니다.

참고: 연료계는 배터리 팩에 남아 있는 충전 레벨을 나타내는 것일 뿐입니다. 공구의 기능성을 나타내는 것이 아니며 제품 구성품, 온도 및 최종 사용자의 용도에 따라 변경될 수 있습니다.

사이드 핸들(그림 A)

경고: 신체 부상의 위험을 줄이려면 **항상** 사이드 핸들이 제대로 설치된 상태에서 공구를 작동하십시오.

그렇지 않으면 사이드 핸들이 공구 작업 중에 미끄러져 제어력을 잃을 수 있습니다. 제어력을 극대화하려면 공구를 두 손으로 잡으십시오.

사이드 핸들 **5** 을 기어 케이스의 앞면에 고정시키고 오른손 또는 왼손으로 사용할 수 있도록 360° 회전시킬 수 있습니다. 액세서리가 바인딩되거나 고착된 경우 공구의 비틀림 작용을 지탱할 수 있도록 사이드 핸들을 단단히 조여야 합니다. 고착되는 동안 공구를 제어하려면 사이드 핸들의 맨 끝을 잡으십시오.

사이드 핸들을 풀려면 시계 반대 방향으로 돌리십시오.

깊이 봉을 조절하려면(그림 C)

1. 사이드 핸들에 있는 깊이 봉 해제 버튼 **12** 을 누르면서 잡습니다.
2. 봉 끝과 비트 끝 사이의 거리가 원하는 드릴 깊이와 같아지도록 깊이 봉 **11** 을 이동합니다.

3. 봉이 제자리에 잠기도록 버튼을 풀니다. 깊이 봉으로 드릴할 때는 봉 끝이 재료 표면에 도달할 때 멈춥니다.

벨트 후크 (그림 D)

옵션 액세서리

경고: 심각한 부상의 위험을 줄이려면 공구의 벨트 후크 만 사용하여 작업 벨트에 공구를 걸십시오. 벨트 후크를 사용하여 공구를 사람이나 물체에 묶거나 고정하는 데 사용하지 마십시오. 공구를 머리 위에 매달거나 벨트 후크에 물건을 매달 지 마십시오.

경고: 심각한 부상의 위험을 줄이려면 벨트 후크를 고정하는 나사가 단단히 고정되었는지 확인하십시오.

중요사항: 벨트 후크를 부착하거나 교체할 때 벨트 후크와 함께 제공된 나사 **20** 만 사용하십시오. 나사를 단단히 조이십시오.

왼손잡이 또는 오른 손잡이 사용자를 위해 벨트 후크 **14** 는 왼쪽 또는 오른쪽의 메인 핸들 아래 슬롯 중 하나를 사용하고 메인 하단에 설치된 제공된 나사 **20** 를 사용하여 공구에 부착할 수 있습니다.

벨트 후크가 전혀 필요하지 않은 경우 공구에서 제거할 수 있습니다.

벨트 후크를 설치하려면

1. 메인 핸들 아래의 왼쪽 또는 오른쪽 슬롯 중 하나에 후크를 삽입합니다.
2. 메인 핸들의 아래쪽에 나사를 설치합니다. 나사를 단단히 조이십시오.

벨트 후크를 제거하거나 이동하려면

1. 메인 핸들 아래쪽에 있는 나사를 제거합니다.
2. 메인 핸들에서 벨트 후크를 당깁니다.
3. 메인 핸들 아래의 왼쪽 또는 오른쪽 슬롯 중 하나에 후크를 삽입하거나 메인 핸들의 아래쪽에 나사를 설치합니다. 나사를 단단히 조이십시오.

비트 및 비트 홀더

경고: 화상 위험. 액세서리를 교환할 때는 **항상** 장갑을 착용하십시오. 공구가 작동되는 동안 접근하기 쉬운 공구와 비트의 금속 부품은 매우 뜨거울 수 있습니다. 깨진 재료의 조각만한 부분이 맨손에 상처를 낼 수 있습니다.

햄머 드릴은 원하는 용도에 따라 다양한 비트를 장착할 수 있습니다. **날카로운 드릴 비트만 사용하십시오.**

비트 권장

- 나무의 경우 트위스트 비트, 스페이드 비트, 파워 오거 비트 또는 원통 톱을 사용하십시오.

- 금속의 경우 고속 스틸 트위스트 드릴 비트 또는 원통 톱을 사용하십시오. 금속 드릴 작업 시에는 절삭 윤활유를 사용하십시오. 건조 상태로 드릴 작업을 해야 하는 주철과 황동의 경우는 예외입니다.
- 벽돌, 시멘트, 콘크리트 블럭 등 석재의 경우, 진동 드릴용 카바이트팁 톱니 비트를 사용하십시오.

SDS-Plus 비트 홀더(그림 F)

참고: 특정 어댑터에는 스트레이트 샹크 비트 및 육각 드라이버 비트와 함께 SDS-plus 공구 홀더를 사용해야 합니다. **선택 액세서리**를 참조하십시오.

드릴 비트 또는 기타 액세서리를 삽입하려면 다음과 같이 조치합니다.

1. SDS-Plus 공구 홀더에 비트 샹크를 약 19 mm 삽입합니다.
2. 제자리에 잠길 때까지 누르면서 돌립니다. 비트가 견고하게 고정됩니다.
3. 비트를 분리하려면, 슬리브 **10** 를 뒤로 당긴 뒤 비트를 분리하십시오.

조작

사용 지침

- 경고:** 안전 지시 사항과 해당 규정을 항상 준수하십시오.
- 경고:** 심각한 신체 부상의 위험을 줄이려면 공구를 조정하거나 부착물/액세서리를 제거/설치하기 전이나 수리를 할 때는 공구를 끄고 배터리 팩을 분리하십시오. 공구가 갑자기 작동하여 부상을 당할 수 있습니다.

올바른 손의 위치(그림 E)

- 경고:** 심각한 신체 부상의 위험을 줄이려면 항상 그림과 같이 올바르게 손을 위치하십시오.
- 경고:** 심각한 신체 부상의 위험을 줄이려면, 항상 급작스러운 반응을 예상하고 확실하게 잡으십시오.

손 위치는 한 손을 기본 핸들 **8** 위에 놓고 다른 손을 사이드 핸들 **5** 위에 놓는 것이 바람직합니다.

조작 모드(그림 A)

- 경고:** 공구를 작동 중일 때는 작동 모드를 선택하지 마십시오.

공구에는 원하는 작업에 적합한 모드를 선택하는 모드 전환레버 다이얼 **3** 이 장착되어 있습니다.

기호	모드	용도
----	----	----

	회전 드릴	나사 조이기 철, 목재 및 플라스틱에서의 드릴 작업
	로타리 햄머 작업	콘크리트 및 석재 드릴 작업
	햄머링 작업만	가벼운 파쇄 작업

작동 모드를 선택하려면:

1. 모드 전환레버 해제 버튼 **4** 을 누릅니다.
2. 화살표가 원하는 모드에 해당하는 기호를 가리키도록 모드 전환레버 다이얼을 돌립니다.

참고: 모드 전환레버 **3** 는 항상 회전 드릴, 로타리 햄머 또는 햄머 전용 모드에 있어야 합니다. 그 사이의 위치에서는 아무런 작동도 되지 않습니다. '햄머링 작업만' 에서 '로타리' 모드로 변경한 뒤에는 기어 정렬을 위해 잠깐 동안 모터를 구동시킬 필요가 있습니다.

적용(그림 A)

- 경고:** 신체 부상의 위험을 줄이려면 항상 작업물이 앵커나 클램프로 단단히 고정되어 있는지 확인하십시오. 얇은 자재에 드릴 작업을 하는 경우에는 자재가 손상되지 않도록 '반침목'을 사용하십시오.
- 경고:** 회전 방향을 바꾸기 전에 항상 모터가 완전히 멈출 때까지 기다리십시오.
- 1. 적합한 척, 어댑터 및/또는 비트를 선택해서 공구에 설치합니다. **비트 및 비트 홀더**를 참조하십시오.
- 2. 모드 전환레버 다이얼 **3** 을 사용해서, 원하는 용도에 적합한 모드를 선택합니다. **조작 모드**를 참조하십시오.
- 3. 필요에 따라 사이드 핸들 **5** 을 조정합니다.
- 4. 비트/치즐을 원하는 위치에 놓습니다.
- 5. 전진/후진 버튼 **2** 을 사용하여 회전 방향을 선택합니다. 제어 버튼의 위치를 변경할 때는 반드시 트리거를 놓아야 합니다.

- 전진 회전을 선택하려면 공구 오른쪽에 있는 전진/후진 제어 버튼을 눌러줍니다.
- 후진을 선택하려면 공구 왼쪽에서 전진/후진 제어 버튼을 눌러줍니다.

참고: 제어 버튼이 중앙에 있으면 공구가 꺼진 상태로 잠기게 됩니다.

6. 트리거 스위치 ① 를 누릅니다. 트리거 스위치를 더 많이 누를수록 공구 작동 속도가 빨라집니다. 공구 수명을 최대화하려면, 시작 홀 또는 잠금장치의 경계에만 가변 속도를 사용하십시오.

참고: 사용하는 공구에 따라, 트리거 스위치를 누르면 아주 가까이에 있는 작업 표면을 비추도록 설계된 작업등 ⑬ 을 작동시킵니다. **설명**을 참조하십시오. 작업등은 트리거 스위치를 놓으면 20초 후에 자동으로 꺼집니다.



경고:

- 쉽게 타거나 폭발성이 있는 액체(벤젠, 알코올 등)를 섞거나 주입하는 데 이 공구를 사용하지 마십시오.
- 따라서 라벨에 표시된 인화성 액체를 혼합하거나 섞지 마십시오.

유지 보수

DEWALT 전동 공구는 최소한의 유지 보수로 장기간에 걸쳐 작업이 가능하도록 설계되어 있습니다. 만족스러운 연속 작동은 적절한 공구 관리와 정기적인 청소에 따라 그 성능이 달라질 수 있습니다.



경고: 심각한 신체 부상의 위험을 줄이려면 공구를 조정하거나 부속물/액세서리를 제거/설치하기 전이나 수리를 할 때는 공구를 끄고 배터리 팩을 분리하십시오. 공구가 갑자기 작동하여 부상을 당할 수 있습니다.

충전기 및 배터리 팩은 수리할 수 없습니다.



윤활방법

전동 공구는 별도의 윤활 작업이 필요하지 않습니다.



청소



경고: 통풍구 속이나 주변에 먼지가 쌓여있는 것이 보이면 가능한 한 자주 건조한 공기를 이용하여 몸체에서 먼지를 불어내십시오. 이 절차를 수행할 때에는 승인된 눈 보호 장구 및 승인된 방진 마스크를 착용하십시오.



경고: 공구의 금속 이외의 부품을 청소할 때는 용제 등의 강력한 화학약품을 절대 사용하지 마십시오. 그렇지 않으면 이러한 부분에 사용된 재료가 약해질 수 있습니다. 형광에 물과 순한 비누를 적셔 닦아주십시오. 공구 내부에 액체를 넣거나 공구 부품을 액체에 담그는 행동은 절대 금물입니다.

선택 액세서리



경고: DEWALT에서 제공하지 않은 액세서리는 본 제품에서 테스트되지 않았으므로 본 제품에서 이러한 액세서리를 사용하면 위험할 수 있습니다. 신체 부상의 위험을 줄이려면 본 제품에 알맞은 액세서리만 사용해야 합니다.

다양한 종류의 SDS-Plus 드릴 비트 및 치즐을 옵션으로 사용할 수 있습니다. 사용하는 액세서리 및 부속물은 SDS-Plus 장비 주변을 정기적으로 윤활해야 합니다. 해당 액세서리에 대한 자세한 정보는 판매 대리점으로 문의하십시오.

환경 보호



분리 수거. 이 기호가 표시된 제품과 배터리를 일반 가정용 쓰레기와 함께 처리하면 안됩니다.

제품과 배터리에는 재활용되거나 재사용되고 고철 자원에 대한 수요를 줄일 수 있는 자재가 포함되어 있습니다. 전기 제품과 배터리는 지역 규정에 따라 재활용하십시오. 자세한 내용은 www.2helpU.com에서 찾아 볼 수 있습니다.

충전용 배터리 팩

이전에 쉽게 수행했던 작업에 대해 충분한 힘을 발휘하지 못하는 배터리 팩은 재충전해야 합니다. 배터리 수명이 다하면 환경 보호 차원에서 배터리 팩을 폐기하십시오.

- 배터리 팩을 완전히 사용하고 난 후 공구에서 분리하십시오.
- 리튬이온 셀은 재활용할 수 있습니다. 이 전지를 판매점이나 지역 재활용 센터로 가져가십시오. 수집된 배터리 팩은 재활용되거나 적절히 폐기됩니다.

정비 및 수리

DEWALT 는 고객들에게 가장 효율적이고 신뢰할 수 있는 서비스를 제공하기 위하여 훈련된 직원들로 센터를 구성하고 있습니다. 사용자의 안전 및 제품의 신뢰성을 보장하기 위하여 제품의 정비, 유지 보수 및 수리는 반드시 공인된 서비스센터에서 수행해야 합니다. DEWALT 는 고객들에게 가장 효율적이고 신뢰할 수 있는 서비스를 제공하기 위하여 훈련된 직원들로 센터를 구성하고 있습니다. 사용자의 안전 및 제품의 신뢰성을 보장하기 위하여 제품의 정비, 유지 보수 및 수리는 반드시 공인된 서비스센터에서 수행해야 합니다. 기타 서비스 관련 문의 사항이 있으실 경우 스탠리블랙앤데커 고객지원 센터 (1577-0933)으로 문의하십시오.

