
DEWALT®

XR LI-ION

www.DEWALT.com

DCH273

DCH274

DCH283

Fig. A

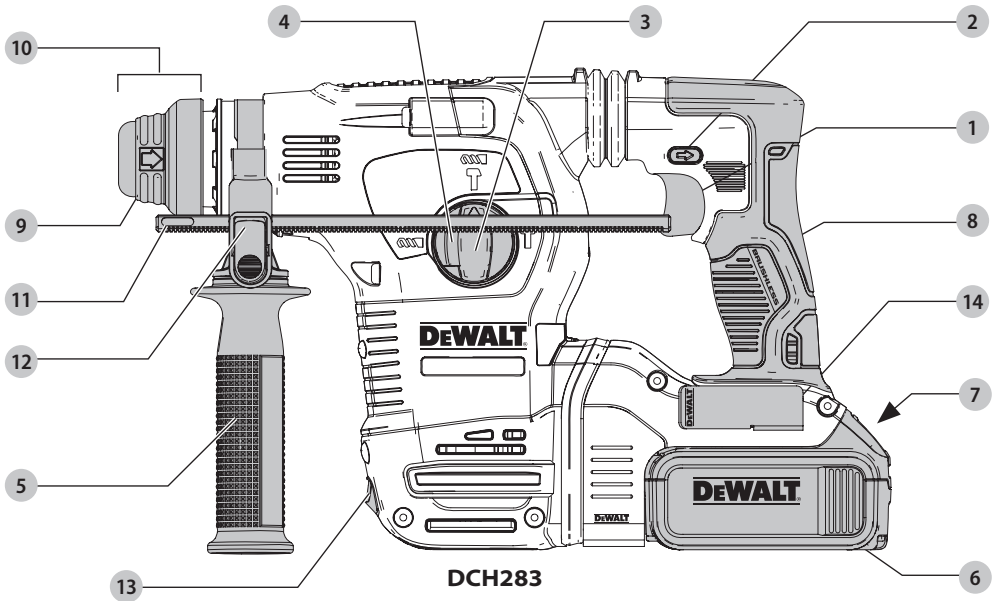
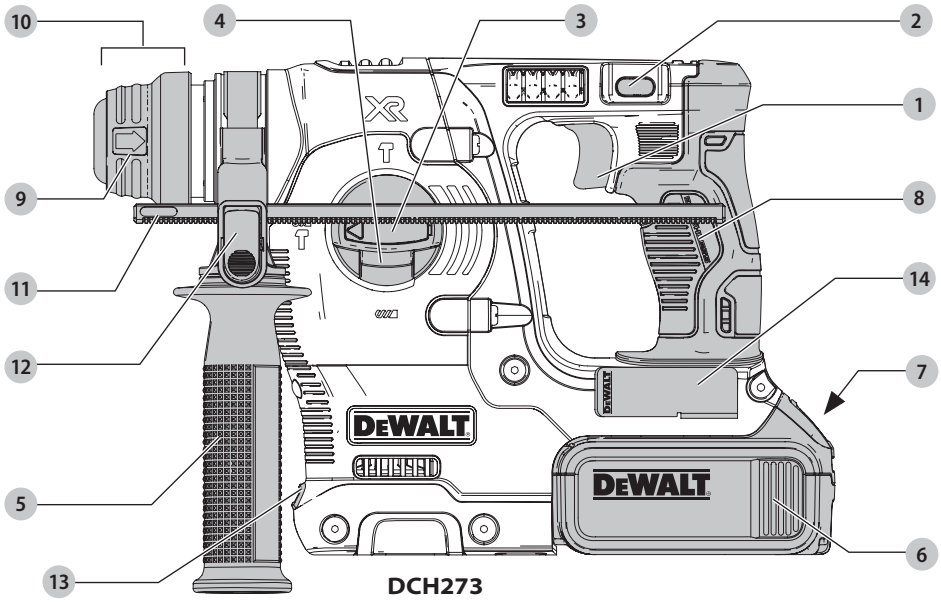


Fig. B

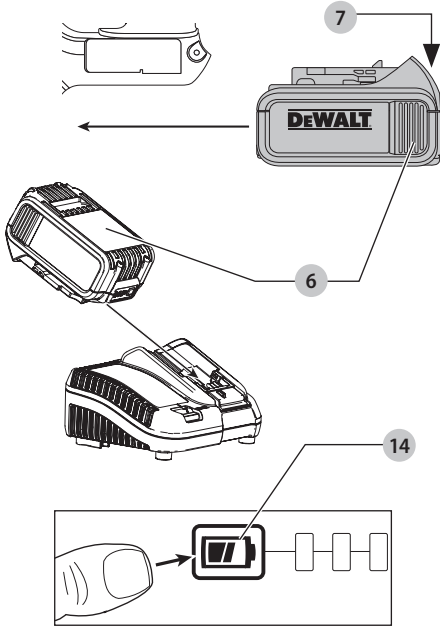


Fig. C

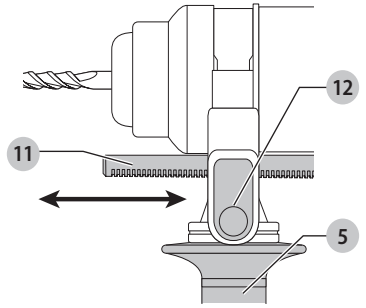


Fig. D

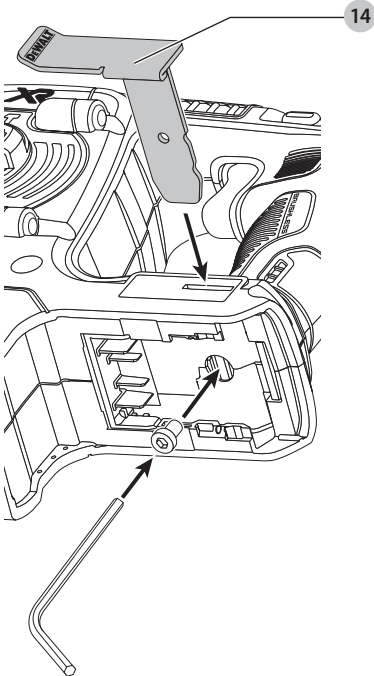


Fig. E

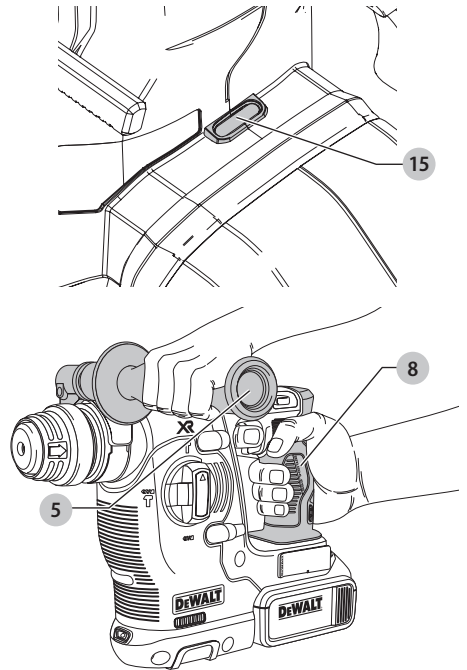


Fig. F

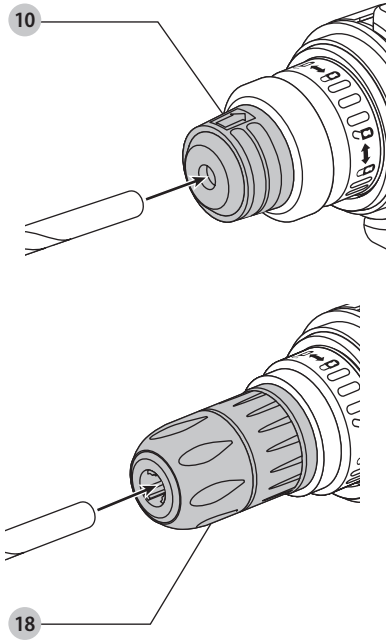


Fig. G

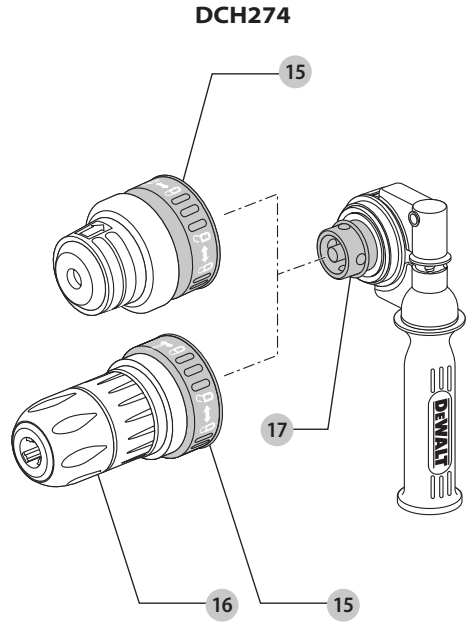
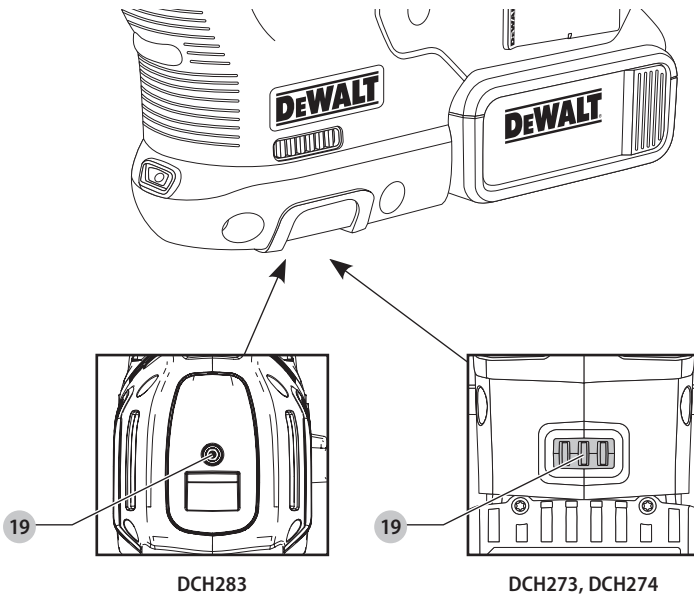


Fig. H



HEAVY-DUTY CORDLESS ROTARY HAMMERDRILL

DCH243, DCH253, DCH254, DCH273, DCH274, DCH283

Congratulations!

You have chosen a DEWALT tool. Years of experience, thorough product development and innovation make DEWALT one of the most reliable partners for professional power tool users.

Technical Data

		DCH273	DCH274	DCH283
Voltage	V_{DC}	18	18	18
No-load speed	min^{-1}	0–1100	0–1100	0–980
No-load Impact rate	bpm	0–4600	0–4600	0–4480
Single impact energy (EPTA 05/2009)	J	2.1	2.1	2.8
Maximum drilling range in steel/wood/concrete	mm	13/26/24	13/26/24	13/30/26
Chuck		SDS Plus	SDS Plus	SDS Plus
Collar diameter	mm	54	54	54
Battery Type		Li-Ion	Li-Ion	Li-Ion
Weight (without battery pack)	kg	2.5	2.7	3.6

Battery pack		DCB181	DCB182	DCB183	DCB184	DCB185	DCB186	DCB546	DCB547
Battery type		Li-Ion	Li-Ion	Li-Ion	Li-Ion	Li-Ion	Li-Ion	Li-Ion	Li-Ion
Voltage	V_{DC}	18	18	18	18	18	18	18/54	18/54
Capacity	A_h	1.5	4.0	2.0	5.0	1.3	6.0	6.0/2.0	9.0/3.0
Weight	kg	0.35	0.61	0.40	0.62	0.35	0.85	1.05	1.25

Charger		DCB107							
Mains voltage	V_{AC}	220–240							
Battery type		10.8/14.4/18 Li-Ion							
Approx. charging time of battery packs	min	60 (1.3 Ah)		70 (1.5 Ah)		90 (2.0 Ah)		140 (3.0 Ah)	
		185 (4.0 Ah)		240 (5.0 Ah)		272 (6.0 Ah)			
Weight	kg	0.29							

Charger		DCB112							
Mains voltage	V_{AC}	220–240							
Battery type		10.8/14.4/18 Li-Ion							
Approx. charging time of battery pack	min	40 (1.3 Ah)		45 (1.5 Ah)		60 (2.0 Ah)		90 (3.0 Ah)	
		120 (4.0 Ah)		150 (5.0 Ah)		170 (6.0 Ah)			
Weight	kg	0.36							

Charger		DCB115							
Mains voltage	V_{AC}	220–240							
Battery type		10.8/14.4/18 Li-Ion							
Approx. charging time of battery pack	min	22 (1.3 Ah)		22 (1.5 Ah)		30 (2.0 Ah)		45 (3.0 Ah)	
		60 (4.0 Ah)		75 (5.0 Ah)		90 (6.0 Ah)			
Weight	kg	0.5							

Charger		DCB118			
Mains voltage	V_{AC}	220-240			
Battery type		10.8/14.4/18 Li-Ion			
Approx. charging time of battery packs	min	22 (1.3 Ah)	22 (1.5 Ah)	30 (2.0 Ah)	45 (3.0 Ah)
		60 (4.0 Ah)	75 (5.0 Ah)	90 (6.0 Ah)	
Weight	kg	0.66			

Definitions: Safety Guidelines

The definitions below describe the level of severity for each signal word. Please read the manual and pay attention to these symbols.



DANGER: Indicates an imminently hazardous situation which, if not avoided, **will** result in **death or serious injury**.



WARNING: Indicates a potentially hazardous situation which, if not avoided, **could** result in **death or serious injury**.



CAUTION: Indicates a potentially hazardous situation which, if not avoided, **may** result in **minor or moderate injury**.

NOTICE: Indicates a practice **not related to personal injury** which, if not avoided, **may** result in **property damage**.



Denotes risk of electric shock.



Denotes risk of fire.



WARNING: To reduce the risk of injury, read the instruction manual.

General Power Tool Safety Warnings



WARNING: Read all safety warnings and all instructions. Failure to follow the warnings and instructions may result in electric shock, fire and/or serious injury.

SAVE ALL WARNINGS AND INSTRUCTIONS FOR FUTURE REFERENCE

The term "power tool" in the warnings refers to your mains-operated (corded) power tool or battery-operated (cordless) power tool.

Work area safety

- Keep work area clean and well lit.** Cluttered or dark areas invite accidents.
- Do not operate power tools in explosive atmospheres, such as in the presence of flammable liquids, gases or dust.** Power tools create sparks which may ignite the dust or fumes.
- Keep children and bystanders away while operating a power tool.** Distractions can cause you to lose control.

Electrical safety

- Power tool plugs must match the outlet. Never modify the plug in any way. Do not use any adapter plugs with earthed (grounded) power tools.**

Unmodified plugs and matching outlets will reduce risk of electric shock.

- Avoid body contact with earthed or grounded surfaces such as pipes, radiators, ranges and refrigerators.** There is an increased risk of electric shock if your body is earthed or grounded.
- Do not expose power tools to rain or wet conditions.** Water entering a power tool will increase the risk of electric shock.
- Do not abuse the cord. Never use the cord for carrying, pulling or unplugging the power tool. Keep cord away from heat, oil, sharp edges or moving parts.** Damaged or entangled cords increase the risk of electric shock.
- When operating a power tool outdoors, use an extension cord suitable for outdoor use.** Use of a cord suitable for outdoor use reduces the risk of electric shock.
- If operating a power tool in a damp location is unavoidable, use a residual current device (RCD) protected supply.** Use of an RCD reduces the risk of electric shock.

Personal safety

- Stay alert, watch what you are doing and use common sense when operating a power tool. Do not use a power tool while you are tired or under the influence of drugs, alcohol or medication.** A moment of inattention while operating power tools may result in serious personal injury.
- Use personal protective equipment. Always wear eye protection.** Protective equipment such as dust mask, non-skid safety shoes, hard hat, or hearing protection used for appropriate conditions will reduce personal injuries.
- Prevent unintentional starting. Ensure the switch is in the off position before connecting to power source and/or battery pack, picking up or carrying the tool.** Carrying power tools with your finger on the switch or energising power tools that have the switch on invites accidents.
- Remove any adjusting key or wrench before turning the power tool on.** A wrench or a key left attached to a rotating part of the power tool may result in personal injury.
- Do not overreach. Keep proper footing and balance at all times.** This enables better control of the power tool in unexpected situations.
- Dress properly. Do not wear loose clothing or jewellery. Keep your hair, clothing and gloves away**

from moving parts. Loose clothes, jewellery or long hair can be caught in moving parts.

- g) **If devices are provided for the connection of dust extraction and collection facilities, ensure these are connected and properly used.** Use of dust collection can reduce dust-related hazards.

Power tool use and care

- a) **Do not force the power tool. Use the correct power tool for your application.** The correct power tool will do the job better and safer at the rate for which it was designed.
- b) **Do not use the power tool if the switch does not turn it on and off.** Any power tool that cannot be controlled with the switch is dangerous and must be repaired.
- c) **Disconnect the plug from the power source and/or the battery pack from the power tool before making any adjustments, changing accessories, or storing power tools.** Such preventive safety measures reduce the risk of starting the power tool accidentally.
- d) **Store idle power tools out of the reach of children and do not allow persons unfamiliar with the power tool or these instructions to operate the power tool.** Power tools are dangerous in the hands of untrained users.
- e) **Maintain power tools. Check for misalignment or binding of moving parts, breakage of parts and any other condition that may affect the power tool's operation. If damaged, have the power tool repaired before use.** Many accidents are caused by poorly maintained power tools.
- f) **Keep cutting tools sharp and clean.** Properly maintained cutting tools with sharp cutting edges are less likely to bind and are easier to control.
- g) **Use the power tool, accessories and tool bits etc., in accordance with these instructions taking into account the working conditions and the work to be performed.** Use of the power tool for operations different from those intended could result in a hazardous situation.

Battery tool use and care

- a) **Recharge only with the charger specified by the manufacturer.** A charger that is suitable for one type of battery pack may create a risk of fire when used with another battery pack.
- b) **Use power tools only with specifically designated battery packs.** Use of any other battery packs may create a risk of injury and fire.
- c) **When battery pack is not in use, keep it away from other metal objects like paper clips, coins, keys, nails, screws or other small metal objects that can make a connection from one terminal to another.** Shorting the battery terminals together may cause burns or a fire.
- d) **Under abusive conditions, liquid may be ejected from the battery; avoid contact. If contact accidentally occurs, flush with water. If liquid**

contacts eyes, additionally seek medical help. Liquid ejected from the battery may cause irritation or burns.

Service

- a) **Have your power tool serviced by a qualified repair person using only identical replacement parts.** This will ensure that the safety of the power tool is maintained.

Additional Safety Instructions for Rotary Hammers

- Wear ear protectors. Exposure to noise can cause hearing loss.
- Use auxiliary handles supplied with the tool. Loss of control can cause personal injury.
- **Hold power tool by insulated gripping surfaces, when performing an operation where the cutting accessory may contact hidden wiring.** Cutting accessory contacting a "live" wire may make exposed metal parts of the power tool "live" and could give the operator an electrical shock.
- Use clamps or other practical way to secure and support the workpiece to a stable platform. Holding the work by hand or against your body is unstable and may lead to loss of control.
- Wear safety goggles or other eye protection. Hammering operations cause chips to fly. Flying particles can cause permanent eye damage. Wear a dust mask or respirator for applications that generate dust. Ear protection may be required for most applications.
- Keep a firm grip on the tool at all times. Do not attempt to operate this tool without holding it with both hands. It is recommended that the side handle be used at all times. Operating this tool with one hand will result in loss of control. Breaking through or encountering hard materials such as re-bar may be hazardous as well. Tighten the side handle securely before use.
- Do not operate this tool for long periods of time. Vibration caused by hammer action may be harmful to your hands and arms. Use gloves to provide extra cushion and limit exposure by taking frequent rest periods.
- Do not recondition bits yourself. Chisel reconditioning should be done by an authorized specialist. Improperly reconditioned chisels could cause injury.
- Wear gloves when operating tool or changing bits. Accessible metal parts on the tool and bits may get extremely hot during operation. Small bits of broken material may damage bare hands.
- Never lay the tool down until the bit has come to a complete stop. Moving bits could cause injury.
- Do not strike jammed bits with a hammer to dislodge them. Fragments of metal or material chips could dislodge and cause injury.
- Slightly worn chisels can be resharpened by grinding.
- Keep the power cord away from the rotating bit. Do not wrap the cord around any part of your body. An electric cord wrapped around a spinning bit may cause personal injury and loss of control.

Residual Risks

The following risks are inherent to the use of rotary hammers:

- *Injuries caused by touching the rotating parts or hot parts of the tool.*

In spite of the application of the relevant safety regulations and the implementation of safety devices, certain residual risks cannot be avoided. These are:

- *Impairment of hearing.*
- *Risk of squeezing fingers when changing the accessory.*
- *Health hazards caused by breathing dust developed when working in concrete and/or masonry.*

Electrical Safety

The electric motor has been designed for one voltage only. Always check that the battery pack voltage corresponds to the voltage on the rating plate. Also make sure that the voltage of your charger corresponds to that of your mains.



Your DEWALT charger is double insulated in accordance with IEC 60335; therefore no earth wire is required.

If the supply cord is damaged, it must be replaced by a specially prepared cord available through the DEWALT service organisation.

Using an Extension Cable

An extension cord should not be used unless absolutely necessary. Use an approved extension cable suitable for the power input of your charger (see **Technical Data**). The minimum conductor size is 1 mm²; the maximum length is 30 m.

When using a cable reel, always unwind the cable completely.

SAVE THESE INSTRUCTIONS

Chargers

DEWALT chargers require no adjustment and are designed to be as easy as possible to operate.

Important Safety Instructions for All Battery Chargers

SAVE THESE INSTRUCTIONS: This manual contains important safety and operating instructions for compatible battery chargers (refer to **Technical Data**).

- *Before using charger, read all instructions and cautionary markings on charger, battery pack, and product using battery pack.*



WARNING: Shock hazard. Do not allow any liquid to get inside charger. Electric shock may result.



WARNING: We recommend the use of a residual current device with a residual current rating of 30mA or less.



CAUTION: Burn hazard. To reduce the risk of injury, charge only DEWALT rechargeable batteries. Other types of batteries may burst causing personal injury and damage.



CAUTION: Children should be supervised to ensure that they do not play with the appliance.

NOTICE: Under certain conditions, with the charger plugged into the power supply, the exposed charging contacts inside the charger can be shorted by foreign material. Foreign materials of a conductive nature such as, but not limited to, steel wool, aluminum foil or any buildup of metallic particles should be kept away from charger cavities. Always unplug the charger from the power supply when there is no battery pack in the cavity. Unplug charger before attempting to clean

- **DO NOT attempt to charge the battery pack with any chargers other than the ones in this manual.** The charger and battery pack are specifically designed to work together.
- **These chargers are not intended for any uses other than charging DEWALT rechargeable batteries.** Any other uses may result in risk of fire, electric shock or electrocution.
- **Do not expose charger to rain or snow.**
- **Pull by plug rather than cord when disconnecting charger.** This will reduce risk of damage to electric plug and cord.
- **Make sure that cord is located so that it will not be stepped on, tripped over, or otherwise subjected to damage or stress.**
- **Do not use an extension cord unless it is absolutely necessary.** Use of improper extension cord could result in risk of fire, electric shock, or electrocution.
- **Do not place any object on top of charger or place the charger on a soft surface that might block the ventilation slots and result in excessive internal heat.** Place the charger in a position away from any heat source. The charger is ventilated through slots in the top and the bottom of the housing.
- **Do not operate charger with damaged cord or plug—** have them replaced immediately.
- **Do not operate charger if it has received a sharp blow, been dropped, or otherwise damaged in any way.** Take it to an authorised service centre.
- **Do not disassemble charger; take it to an authorised service centre when service or repair is required.** Incorrect reassembly may result in a risk of electric shock, electrocution or fire.
- *In case of damaged power supply cord the supply cord must be replaced immediately by the manufacturer, its service agent or similar qualified person to prevent any hazard.*
- **Disconnect the charger from the outlet before attempting any cleaning. This will reduce the risk of electric shock.** Removing the battery pack will not reduce this risk.
- **NEVER attempt to connect two chargers together.**
- **The charger is designed to operate on standard 220-240V household electrical power. Do not attempt to use it on any other voltage.** This does not apply to the vehicular charger.

Charging a Battery (Fig. B)

1. Plug the charger into an appropriate outlet before inserting battery pack.
2. Insert the battery pack **6** into the charger, making sure the battery pack is fully seated in the charger. The red (charging) light will blink repeatedly indicating that the charging process has started.
3. The completion of charge will be indicated by the red light remaining ON continuously. The battery pack is fully charged and may be used at this time or left in the charger. To remove the battery pack from the charger, push the battery release button **7** on the battery pack.

NOTE: To ensure maximum performance and life of lithium-ion battery packs, charge the battery pack fully before first use.

Charger Operation

Refer to the indicators below for the charge status of the battery pack.

Charge Indicators

	Charging	
	Fully Charged	
	Hot/Cold Pack Delay*	

*The red light will continue to blink, but a yellow indicator light will be illuminated during this operation. Once the battery pack has reached an appropriate temperature, the yellow light will turn off and the charger will resume the charging procedure. The compatible charger(s) will not charge a faulty battery pack. The charger will indicate faulty battery by refusing to light or by displaying problem pack or charger blink pattern.

NOTE: This could also mean a problem with a charger.

If the charger indicates a problem, take the charger and battery pack to be tested at an authorised service centre.

Hot/Cold Pack Delay

When the charger detects a battery pack that is too hot or too cold, it automatically starts a Hot/Cold Pack Delay, suspending charging until the battery pack has reached an appropriate temperature. The charger then automatically switches to the pack charging mode. This feature ensures maximum battery pack life.

A cold battery pack will charge at a slower rate than a warm battery pack. The battery pack will charge at that slower rate throughout the entire charging cycle and will not return to maximum charge rate even if the battery pack warms.

The DCB118 charger is equipped with an internal fan designed to cool the battery pack. The fan will turn on automatically when the battery pack needs to be cooled. Never operate the charger if the fan does not operate properly or if ventilation slots are blocked. Do not permit foreign objects to enter the interior of the charger.

Electronic Protection System

XR Li-Ion tools are designed with an Electronic Protection System that will protect the battery pack against overloading, overheating or deep discharge.

The tool will automatically turn off if the Electronic Protection System engages. If this occurs, place the lithium-ion battery pack on the charger until it is fully charged.

Wall Mounting

These chargers are designed to be wall mountable or to sit upright on a table or work surface. If wall mounting, locate the charger within reach of an electrical outlet, and away from a corner or other obstructions which may impede air flow. Use the back of the charger as a template for the location of the mounting screws on the wall. Mount the charger securely using drywall screws (purchased separately) at least 25.4 mm long with a screw head diameter of 7–9 mm, screwed into wood to an optimal depth leaving approximately 5.5 mm of the screw exposed. Align the slots on the back of the charger with the exposed screws and fully engage them in the slots.

Charger Cleaning Instructions

WARNING: Shock hazard. Disconnect the charger from the AC outlet before cleaning. Dirt and grease may be removed from the exterior of the charger using a cloth or soft non-metallic brush. Do not use water or any cleaning solutions. Never let any liquid get inside the tool; never immerse any part of the tool into a liquid.

Battery Packs

Important Safety Instructions for All Battery Packs

When ordering replacement battery packs, be sure to include cataloguenumber and voltage.

The battery pack is not fully charged out of the carton. Before using the battery pack and charger, read the safety instructions below. Then follow charging procedures outlined.

READ ALL INSTRUCTIONS

- **Do not charge or use battery in explosive atmospheres, such as in the presence of flammable liquids, gases or dust.** Inserting or removing the battery from the charger may ignite the dust or fumes.
- **Never force battery pack into charger. Do not modify battery pack in any way to fit into a non-compatible charger as battery pack may rupture causing serious personal injury.**
- Charge the battery packs only in DeWALT chargers.
- **DO NOT splash or immerse in water or other liquids.**
- **Do not store or use the tool and battery pack in locations where the temperature may reach or exceed 40 °C (104 °F) (such as outside sheds or metal buildings in summer).**
- **Do not incinerate the battery pack even if it is severely damaged or is completely worn out.** The battery pack can explode in a fire. Toxic fumes and materials are created when lithium-ion battery packs are burned.

- **If battery contents come into contact with the skin, immediately wash area with mild soap and water.** If battery liquid gets into the eye, rinse water over the open eye for 15 minutes or until irritation ceases. If medical attention is needed, the battery electrolyte is composed of a mixture of liquid organic carbonates and lithium salts.
- **Contents of opened battery cells may cause respiratory irritation.** Provide fresh air. If symptoms persists, seek medical attention.



WARNING: Burn hazard. Battery liquid may be flammable if exposed to spark or flame.



WARNING: Never attempt to open the battery pack for any reason. If battery pack case is cracked or damaged, do not insert into charger. Do not crush, drop or damage battery pack. Do not use a battery pack or charger that has received a sharp blow, been dropped, run over or damaged in any way (i.e., pierced with a nail, hit with a hammer, stepped on). Electric shock or electrocution may result. Damaged battery packs should be returned to service centre for recycling.



WARNING: Fire hazard. Do not store or carry the battery pack so that metal objects can contact exposed battery terminals. For example, do not place the battery pack in aprons, pockets, tool boxes, product kit boxes, drawers, etc., with loose nails, screws, keys, etc.



CAUTION: When not in use, place tool on its side on a stable surface where it will not cause a tripping or falling hazard. Some tools with large battery packs will stand upright on the battery pack but may be easily knocked over.

Transportation



WARNING: Fire hazard. Transporting batteries can possibly cause fire if the battery terminals inadvertently come in contact with conductive materials. When transporting batteries, make sure that the battery terminals are protected and well insulated from materials that could contact them and cause a short circuit.

DEWALT batteries comply with all applicable shipping regulations as prescribed by industry and legal standards which include UN Recommendations on the Transport of Dangerous Goods; International Air Transport Association (IATA) Dangerous Goods Regulations, International Maritime Dangerous Goods (IMDG) Regulations, and the European Agreement Concerning The International Carriage of Dangerous Goods by Road (ADR). Lithium-ion cells and batteries have been tested to section 38.3 of the UN Recommendations on the Transport of Dangerous Goods Manual of Tests and Criteria.

In most instances, shipping a DEWALT battery pack will be excepted from being classified as a fully regulated Class 9 Hazardous Material. In general, only shipments containing a lithium-ion battery with an energy rating greater than 100 Watt Hours (Wh) will require being shipped as fully regulated Class 9. All lithium-ion batteries have the Watt Hour rating marked on the pack. Furthermore, due to regulation complexities, DEWALT does not recommend air shipping lithium-ion battery packs alone regardless of Watt Hour rating. Shipments of tools with

batteries (combo kits) can be air shipped as excepted if the Watt Hour rating of the battery pack is no greater than 100 Whr.

Regardless of whether a shipment is considered excepted or fully regulated, it is the shipper's responsibility to consult the latest regulations for packaging, labeling/marketing and documentation requirements.

The information provided in this section of the manual is provided in good faith and believed to be accurate at the time the document was created. However, no warranty, expressed or implied, is given. It is the buyer's responsibility to ensure that its activities comply with the applicable regulations.

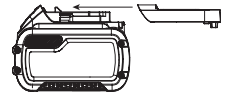
Transporting the FLEXVOLT™ Battery

The DEWALT FLEXVOLT™ battery has two modes: **Use** and **Transport**.

Use Mode: When the FLEXVOLT™ battery stands alone or is in a DEWALT 18V product, it will operate as an 18V battery. When the FLEXVOLT™ battery is in a 54V or a 108V (two 54V batteries) product, it will operate as a 54V battery.

Transport Mode: When the cap is attached to the FLEXVOLT™ battery, the battery is in Transport mode. Keep the cap for shipping.

When in Transport mode, strings of cells are electrically disconnected within the pack resulting in 3 batteries with a



lower Watt hour (Wh) rating as compared to 1 battery with a higher Watt hour rating. This increased quantity of 3 batteries with the lower Watt hour rating can exempt the pack from certain shipping regulations that are imposed upon the higher Watt hour batteries.

For example, the Transport Wh rating might indicate

3 x 36 Wh, meaning 3 batteries of 36 Wh each.

The Use Wh rating might indicate 108 Wh (1 battery implied).



Example of Use and Transport Label Marking

Use: 108 Wh
Transport: 3x36 Wh

Storage Recommendations

1. The best storage place is one that is cool and dry away from direct sunlight and excess heat or cold. For optimum battery performance and life, store battery packs at room temperature when not in use.
2. For long storage, it is recommended to store a fully charged battery pack in a cool, dry place out of the charger for optimal results.

NOTE: Battery packs should not be stored completely depleted of charge. The battery pack will need to be recharged before use.

Labels on Charger and Battery Pack

In addition to the pictographs used in this manual, the labels on the charger and the battery pack may show the following pictographs:



Read instruction manual before use.



See **Technical Data** for charging time.



Do not probe with conductive objects.



Do not charge damaged battery packs.



Do not expose to water.



Have defective cords replaced immediately.



Charge only between 4 °C and 40 °C.



Only for indoor use.



Discard the battery pack with due care for the environment.



Charge DEWALT battery packs only with designated DEWALT chargers. Charging battery packs other than the designated DEWALT batteries with a DEWALT charger may make them burst or lead to other dangerous situations.



Do not incinerate the battery pack.



USE (without transport cap). Example: Wh rating indicates 108 Wh (1 battery with 108 Wh).



TRANSPORT (with built-in transport cap). Example: Wh rating indicates 3 x 36 Wh (3 batteries of 36 Wh).

Battery Type

These battery packs may be used: Refer to **Technical Data** for more information.

The DCH243, DCH253, DCH254, DCH273, DCH274, DCH283, operate on a 18 volt battery pack.

These battery packs may be used: DCB181, DCB182, DCB183, DCB183B, DCB184, DCB184B, DCB185, DCB546, DCB547. Refer to **Technical Data** for more information.

Package Contents

The package contains:

- 1 Cordless rotary hammerdrill
- 1 Side handle and depth rod
- 1 Charger
- 1 Battery pack (D1, L1, M1, P1)
- 2 Battery packs (D2, L2, M2, P2)

3 Battery packs (D3, L3, M3, P3)

1 Keyless chuck (DCH274)

1 Kit box

1 Instruction manual

- Check for damage to the tool, parts or accessories which may have occurred during transport.

- Take the time to thoroughly read and understand this manual prior to operation.

Markings on Tool

The following pictograms are shown on the tool:



Read instruction manual before use.



Wear ear protection.



Wear eye protection.



Visible radiation. Do not stare into light.

Date Code Position

The date code, which also includes the year of manufacture, is printed into the housing.

Example:

2016 XX XX

Year of Manufacture

Description (Fig. A)



WARNING: Never modify the power tool or any part of it. Damage or personal injury could result.

- | | |
|--------------------------|-----------------------------|
| 1 Variable speed switch | 8 Main handle |
| 2 Forward/reverse button | 9 SDS Plus tool holder |
| 3 Mode selector dial | 10 Sleeve |
| 4 Mode selector button | 11 Depth rod |
| 5 Side handle | 12 Depth rod release button |
| 6 Battery pack | 13 Worklight |
| 7 Release button | 14 Utility hook |

Intended Use

Your cordless rotary hammerdrill has been designed for professional drilling and hammerdrilling applications, as well as screwdriving and chipping applications.

DO NOT use under wet conditions or in the presence of flammable liquids or gases.

Your cordless rotary hammerdrill is a professional power tool.

DO NOT let children come into contact with the tool.

Supervision is required when inexperienced operators use this tool.

- **Young children and the infirm.** This appliance is not intended for use by young children or infirm persons without supervision.

- This product is not intended for use by persons (including children) suffering from diminished physical, sensory or mental abilities; lack of experience, knowledge or skills unless they are supervised by a person responsible for their safety. Children should never be left alone with this product.

Overload Clutch

In case of jamming of a drill bit, the drive to the drill spindle is interrupted. Because of the resulting forces, always hold the tool with both hands and take a firm stance. After the overload, release and depress the trigger to re-engage drive.

Mechanical Clutch

DCH283

On units fitted with a mechanical clutch the indication that the clutch has activated will be an audible ratcheting together with increased vibration.

Electronic Clutch

DCH273, DCH274

When the electronic clutch activates, the motor is repeatedly switched on and off for a few seconds to replicate the feedback associated with a mechanical clutch.

Anti-Rotation System (Fig. E)

DCH283

In addition to the clutch, an anti-rotation system offers increased user comfort and safety through an on-board, anti-rotation technology capable of detecting if the user loses control of the hammer. When a jam is detected, the torque and speed are reduced instantly. This feature prevents self rotation of the tool reducing the occurrence of wrist injuries.

The anti-rotation system indicator **15** will illuminate to indicate status.

Indicator	Diagnosis	Solution
OFF	Tool is functioning normally	Follow all warnings and instructions when operating the tool.
SOLID	Anti-Rotation System has been activated (ENGAGED)	With the tool properly supported, release trigger. The tool will function normally when the trigger is depressed again and the indicator light will go out

Active Vibration Control

For best vibration control, hold the tool as described in **Proper Hand Position**.

The active vibration control neutralises rebound vibration from the hammer mechanism. Lowering hand and arm vibration, it allows more comfortable use for longer periods of time and extends the life of the unit.

The hammer only needs enough pressure to engage the active vibration control. Applying too much pressure will not make the tool drill or chip faster and active vibration control will not engage.

ASSEMBLY AND ADJUSTMENTS



WARNING: To reduce the risk of serious personal injury, turn tool off and disconnect battery pack before making any adjustments or removing/installing attachments / accessories or when making repairs. An accidental start-up can cause injury.



WARNING: Use only DEWALT battery packs and chargers.

Inserting and Removing the Battery Pack from the Tool (Fig. B)

NOTE: Make sure your battery pack **6** is fully charged.

To Install the Battery Pack into the Tool Handle

1. Align the battery pack **6** with the rails inside the tool's handle (Fig. B).
2. Slide it into the handle until the battery pack is firmly seated in the tool and ensure that you hear the lock snap into place.

To Remove the Battery Pack from the Tool

1. Press the release button **7** and firmly pull the battery pack out of the tool handle.
2. Insert battery pack into the charger as described in the charger section of this manual.

Fuel Gauge Battery Packs

Some DEWALT battery packs include a fuel gauge which consists of three green LED lights that indicate the level of charge remaining in the battery pack.

To actuate the fuel gauge, press and hold the fuel gauge button **14**. A combination of the three green LED lights will illuminate designating the level of charge left. When the level of charge in the battery is below the usable limit, the fuel gauge will not illuminate and the battery will need to be recharged.

NOTE: The fuel gauge is only an indication of the charge left on the battery pack. It does not indicate tool functionality and is subject to variation based on product components, temperature and end-user application.

Side Handle (Fig. A)



WARNING: To reduce the risk of personal injury, **ALWAYS** operate the tool with the side handle properly installed. Failure to do so may result in the side handle slipping during tool operation and subsequent loss of control. Hold tool with both hands to maximize control.

The side handle **5** clamps to the front of the gear case and may be rotated 360° to permit right- or left-hand use. The side handle must be tightened sufficiently to resist the twisting action of the tool if the accessory binds or stalls. Be sure to grip the side handle at the far end to control the tool during a stall.

To loosen side handle, rotate counterclockwise.

To Adjust the Depth Rod (Fig. C)

1. Push in and hold the depth rod release button **12** on the side handle.

2. Move the depth rod **11** so the distance between the end of the rod and the end of the bit equals the desired drilling depth.
3. Release the button to lock rod into position. When drilling with the depth rod, stop when end of rod reaches surface of material.


Utility Hook (Fig. A, D)

A utility hook (14) is fitted below the main handle (8) on the left side of the tool. To extend the utility hook pull it out from the side of the tool. To store the utility hook push it back flush with the side of the tool. If use of the hook is not desired at all, it can be removed completely.

To Remove and/or Reinstall the Utility Hook

1. Position the utility hook into the extended position and remove the hex head screw located on the underside of the main handle.
2. Pull out the utility hook until it is free from the unit.
3. To reinstall, insert the utility hook into the the slot below the main handle. **NOTE:** On the DCH273 and DCH274 models the hook can be installed on either side of the handle. The slot may be covered with a sticker. Either remove the sticker or pierce the sticker to expose the slot underneath.
4. Re-insert the hex screw and tighten securely.

Bit and Bit Holder

 **WARNING:** Burn Hazard. **ALWAYS** wear gloves when changing bits. Accessible metal parts on the tool and bits may get extremely hot during operation. Small bits of broken material may damage bare hands.

The hammerdrill can be fitted with different bits depending on the desired application. **Use sharp drill bits only.**

Bit Recommendations

- For wood, use twist bits, spade bits, power auger bits or hole saws.
- For metal, use high-speed steel twist drill bits or hole saws. Use a cutting lubricant when drilling metals. The exceptions are cast iron and brass which should be drilled dry.
- For masonry, such as brick, cement, cinder block, etc., use carbide-tipped bits rated for percussion drilling.

SDS Plus Bit Holder (Fig. F)

NOTE: Special adapters are needed to use the SDS plus tool holder with straight shank bits and hexagonal screwdriver bits. Refer to **Optional Accessories**.


To insert a drill bit or other accessory:

1. Insert the shank of the bit about 19 mm into SDS Plus tool holder.
2. Push and rotate bit until it locks in place. The bit will be securely held.
3. To release bit, pull the sleeve **10** back and remove the bit.

Keyless Chuck (Fig. G)

DCH254, DCH274

On some hammerdrills, a keyless chuck can be installed in place of the SDS Plus bit holder.

 **WARNING:** Never use standard chucks in the rotary hammering mode.

Replacing the SDS Plus Bit Holder with the Keyless Chuck

1. Select hammering only mode (see **Operation Modes**), this locks the spindle to prevent it from rotating when unlocking the removable tool holder.
2. Turn the locking collar **15** into the unlocked position and pull the installed bit holder off.
3. Push the keyless chuck **16** onto the spindle **17** and turn the locking collar into the locking position.
4. To replace the keyless chuck with the SDS Plus bit holder, first remove the keyless chuck the same way as the SDS Plus bit holder was removed. Then replace the SDS Plus bit holder the same way as the keyless chuck was replaced.

To insert a drill bit or other accessory in keyless chuck:


1. Grasp the sleeve **18** of the chuck with one hand and use the other hand grasping the base of the chuckl.
2. Rotate the sleeve counterclockwise (as viewed from the front) far enough to accept the desired accessory.
3. Insert the accessory about 19 mm into the chuck and tighten securely by rotating the chuck sleeve clockwise with one hand while holding the tool with the other hand. Continue to rotate the chuck sleeve until several ratchet clicks are heard to ensure full gripping power.


Be sure to tighten chuck with one hand on the chuck sleeve and one hand holding the tool for maximum tightness.

To release the accessory, repeat Steps 1 and 2 above.

OPERATION


Instructions for Use

 **WARNING:** Always observe the safety instructions and applicable regulations.

 **WARNING:** To reduce the risk of serious personal injury, turn tool off and disconnect battery pack before making any adjustments or removing/ installing attachments / accessories or when making repairs. An accidental start-up can cause injury.


Proper Hand Position (Fig. E)

 **WARNING:** To reduce the risk of serious personal injury, **ALWAYS** use proper hand position as shown.




 **WARNING:** To reduce the risk of serious personal injury, **ALWAYS** hold securely in anticipation of a sudden reaction.

Proper hand position requires one hand on the main handle **8**, with the other hand on the side handle **5**.

Operation Modes (Fig. A)

 **WARNING:** Do not select the operating mode when the tool is running.

Your tool is equipped with a mode selector dial **3** to select the mode appropriate to desired operation.


Symbol	Mode	Application
	Rotary Drilling	Screwdriving
		Drilling into steel, wood and plastics
	Rotary Hammering	Drilling into concrete and masonry
	Hammering only	Light chipping


To select an operating mode:

1. Depress the mode selector release button **4**.
2. Rotate the mode selector dial so that the arrow points to the symbol corresponding with the desired mode.

NOTE: The mode selector **3** must be in rotary drilling, rotary hammering or hammering only mode at all times. There are no operable positions in between. It may be necessary to briefly run the motor after having changed from 'hammering only' to 'rotary' modes in order to align the gears.

Performing an Application (Fig. A)

 **WARNING: TO REDUCE THE RISK OF PERSONAL INJURY, ALWAYS** ensure workpiece is anchored or clamped firmly. If drilling thin material, use a wood "back-up" block to prevent damage to the material.

 **WARNING:** Always wait until the motor has come to a complete standstill before changing the direction of rotation.

1. Choose and install the appropriate chuck, adapter, and/or bit onto to the tool. Refer to **Bit and Bit Holders**.
2. Using the mode selector dial **3**, select the mode appropriate to desired application. Refer to **Operation Modes**.
3. Adjust the side handle **5** as required.
4. Place the bit/chisel on the desired location.
5. Select the direction of rotation using the forward/reverse button **2**. When changing the position of the control button, be sure the trigger is released.
 - To select forward rotation, press the forward/reverse control button on the right side of the tool.
 - To select reverse, press the forward/reverse control button on the left side of the tool.

NOTE: The center position of the control button locks the tool in the off position.

6. Depress the trigger switch **1**. The farther you depress the trigger switch, the faster the tool will operate. For maximum tool life, use variable speed only for starting holes or fasteners.

NOTE: Depending on your tool, depressing the trigger switch activates a worklight **13** designed to illuminate the immediate work surface. Refer to **Description**. The worklight will automatically turn off 20 seconds after the trigger switch is released.



WARNING:

- Do not use this tool to mix or pump easily combustible or explosive fluids (benzine, alcohol, etc.).
- Do not mix or stir inflammable liquids labelled accordingly.

MAINTENANCE

Your DEWALT power tool has been designed to operate over a long period of time with a minimum of maintenance. Continuous satisfactory operation depends upon proper tool care and regular cleaning.



WARNING: To reduce the risk of serious personal injury, turn tool off and disconnect battery pack before making any adjustments or removing/installing attachments / accessories or when making repairs. An accidental start-up can cause injury.

The charger and battery pack are not serviceable.



Lubrication

Your power tool requires no additional lubrication.



Cleaning



WARNING: Blow dirt and dust out of the main housing with dry air as often as dirt is seen collecting in and around the air vents. Wear approved eye protection and approved dust mask when performing this procedure.



WARNING: Never use solvents or other harsh chemicals for cleaning the non-metallic parts of the tool. These chemicals may weaken the materials used in these parts. Use a cloth dampened only with water and mild soap. Never let any liquid get inside the tool; never immerse any part of the tool into a liquid.

Optional Accessories



WARNING: Since accessories, other than those offered by DEWALT, have not been tested with this product, use of such accessories with this tool could be hazardous. To reduce the risk of injury, only DEWALT recommended accessories should be used with this product.

Various types of SDS Plus drill bits and chisels are available as an option. Accessories and attachments used must be regularly lubricated around the SDS Plus fitment.

Dust Extraction System (Fig. H)

For some compatible hammerdrills, a dedicated integrated dust extraction system is available and can be purchased separately.

DCH273, DCH274

The dust extraction system is powered by an electrical connection **19** to a compatible hammerdrill.

DCH283

The dust extraction system is powered by an mechanical connection **19** to a compatible hammerdrill.

Consult your dealer for further information on the compatibility of appropriate accessories.

Protecting the Environment



Separate collection. Products and batteries marked with this symbol must not be disposed of with normal household waste.

Products and batteries contain materials that can be recovered or recycled reducing the demand for raw materials. Please recycle electrical products and batteries according to local provisions. Further information is available at www.2helpU.com.

Rechargeable Battery Pack

This long life battery pack must be recharged when it fails to produce sufficient power on jobs which were easily done before. At the end of its technical life, discard it with due care for our environment:

- Run the battery pack down completely, then remove it from the tool.
- Li-Ion cells are recyclable. Take them to your dealer or a local recycling station. The collected battery packs will be recycled or disposed of properly.

고성능 충전 로타리 햄머 드릴

DCH283

환영 인사

DEWALT 공구를 선택해 주셔서 감사합니다. DEWALT는 오랜 경험과 철두철미한 제품 개발 및 혁신을 바탕으로 전문적인 전동 공구 사용자들이 가장 신뢰하는 파트너로 자리 잡았습니다.

기술 자료

			DCH283
전압	V_{DC}		18
무부하 속도	min^{-1}		0-980
무부하 임팩 속도	bpm		0-4480
단일 임팩 에너지(EPTA 05/2009)	J		2.8
스틸/목재/콘크리트에서의 최대 드릴링 범위	mm		13/30/26
척(Chuck)			SDS Plus
칼라 지름	mm		54
배터리 유형			리튬이온
중량(배터리 팩 제외)	kg		3.6

배터리 팩	DCB181	DCB182	DCB183	DCB184	DCB185	DCB186	DCB546	DCB547
배터리 유형	리튬이온	리튬이온	리튬이온	리튬이온	리튬이온	리튬이온	리튬이온	리튬이온
전압	V_{DC}	18	18	18	18	18	18/54	18/54
용량	Ah	1.5	4.0	2.0	5.0	1.3	6.0/2.0	9.0/3.0
중량	kg	0.35	0.61	0.40	0.62	0.35	0.85	1.05

충전기		DCB107						
주 전압	V_{AC}	220-240						
배터리 유형		10.8/14.4/18 리튬이온						
대략적인 배터리 팩 충전 시간	분	60(1.3Ah)		70(1.5Ah)		90(2.0Ah)		140(3.0Ah)
		185(4.0Ah)		240(5.0Ah)		272(6.0Ah)		
중량	kg	0.29						

충전기		DCB112						
주 전압	V_{AC}	220-240						
배터리 유형		10.8/14.4/18 리튬이온						
대략적인 배터리 팩 충전 시간	분	40(1.3Ah)		45(1.5Ah)		60(2.0Ah)		90(3.0Ah)
		120(4.0Ah)		150(5.0Ah)		170(6.0Ah)		
중량	kg	0.36						


충전기		DCB115						
주 전압	V_{AC}	220-240						
배터리 유형		10.8/14.4/18 리튬이온						
대략적인 배터리 팩 충전 시간	분	22(1.3Ah)		22(1.5Ah)		30(2.0Ah)		45(3.0Ah)
		60(4.0Ah)		75(5.0Ah)		90(6.0Ah)		
중량	kg	0.5						


충전기		DCB118						
주 전압	V_{AC}	220-240						
배터리 유형		10.8/14.4/18 리튬이온						


충전기			DCB118	
대략적인 배터리 분	22(1.3Ah)	22(1.5Ah)	30(2.0Ah)	45(3.0Ah)
팩 충전 시간	60(4.0Ah)	75(5.0Ah)	90(6.0Ah)	
중량	kg		0.66	

정의: 안전 지침

아래 정의는 각 경고 문구의 심각도를 설명합니다. 사용 설명서를 읽고 이들 기호에 유의하십시오.

 **위험:** 임박한 위험 상황을 나타내며, 방지하지 않을 경우 **사망 또는 심각한 부상을** 초래합니다.


 **경고:** 잠재적인 위험 상황을 나타내며, 방지하지 않을 경우 **사망 또는 심각한 부상을** 초래할 수 있습니다.

 **주의:** 잠재적인 위험 상황을 나타내며, 방지하지 않을 경우 **경상 또는 중등도 부상을** 초래할 수 있습니다.


고지: 부상을 초래하지 않는 행위를 나타내며, 방지하지 않을 경우 **재산 피해를** 초래할 수 있습니다.

 감전 위험을 나타냅니다.

 화재 위험을 나타냅니다.

 **경고:** 부상 위험을 줄이려면 사용 설명서를 읽으십시오

전동 공구에 관한 일반 안전 경고

 **경고:** 모든 안전 경고와 모든 지침을 읽으십시오. 경고와 지침을 따르지 않으면 감전, 화재 또는 심각한 부상을 초래할 수 있습니다.

항후 참고할 수 있도록 모든 경고 및 지침을 보관해 두십시오.

경고에서 사용되는 '전동 공구'라는 용어는 주 전원 작동식(유선) 전동 공구 또는 배터리 작동식(무선) 전동 공구를 의미합니다.

작업 영역 안전

- 작업 영역을 깨끗하고 밝게 유지하십시오.** 혼잡하거나 어두운 작업 영역에서는 사고가 발생하기 쉽습니다.
- 인화성 액체, 가스 또는 분진 등 폭발 가능성이 있는 환경에서는 전동 공구를 사용하지 마십시오.** 전동 공구에서 분진이나 가스를 발화하는 불꽃이 될 수 있습니다.
- 전동 공구를 사용하는 동안에는 어린이와 주변 사람들이 작업 영역에 가까이 들어오지 못하게 하십시오.** 주변이 산만해지면 제어력을 잃을 수 있습니다.

전기 안전

- 전동 공구의 플러그는 콘센트와 형식이 일치해야 합니다.** 어떤 방식으로든 플러그를 절대 개조하지 마십시오. 접지된(지면 접지) 전동 공구에 어떤

어댑터 플러그도 사용하지 마십시오. 개조되지 않은 플러그와 같은 종류의 콘센트를 사용하면 감전 위험이 줄어듭니다.

- 파이프, 라디에이터, 렌지 및 냉장고 등과 같이 접지된 표면에 신체를 접촉하지 않도록 하십시오.** 신체를 접촉하면 감전 위험이 커집니다.
- 전동 공구를 비 또는 습한 환경에 노출하지 마십시오.** 전동 공구에 물이 들어가면 감전 위험이 커집니다.
- 코드를 합부로 다루지 마십시오.** 코드를 사용하여 전동 공구를 운반하거나 잡아당기거나 플러그를 뽑지 마십시오. 열, 오일, 날카로운 가장자리 또는 움직이는 부품에서 멀리 떨어진 장소에 코드를 보관하십시오. 코드가 손상되거나 얽혀 있으면 감전 위험이 커집니다.
- 전동 공구를 실외에서 사용할 때는 실외 사용에 적합한 연장 코드를 사용하십시오.** 실외 사용에 적합한 코드를 사용하면 감전 위험이 줄어듭니다.
- 불가피하게 습한 장소에서 전동 공구를 사용해야 하는 경우에는 누전 차단기(RCD)로 보호된 전원 공급장치를 사용하십시오.** RCD를 사용하면 감전 위험이 줄어듭니다.

신체 안전

- 전동 공구를 작동할 때는 방심하지 말고 작업에 주의하면서 상식적으로 사용하십시오.** 피곤한 상태이거나 약물, 술, 치료제를 복용한 상태에서는 전동 공구를 사용하지 마십시오. 전동 공구를 사용하다 잠깐만 한 눈을 팔어도 심각한 부상을 당할 수 있습니다.
- 개인 보호 장구를 사용하십시오.** 항상 보안경을 착용하십시오. 적합한 상황에서 방진 마스크, 미끄럼 방지 안전화, 안전모 또는 청력 보호 기구 등의 보호 장구를 사용하면 부상 위험이 줄어듭니다.
- 의도하지 않은 장비 가동을 방지하십시오.** 전원 또는 배터리 팩에 연결한 상태로 공구를 선택 또는 운반할 때는 사전에 스위치가 꺼짐 위치에 있는지 확인하십시오. 스위치가 켜짐 위치에 있는 상태에서 스위치에 손가락이 닿은 상태로 전동 공구를 운반하거나 전동 공구에 전원을 공급하면 사고가 발생할 수 있습니다.
- 전동 공구를 켜려면 먼저 모든 조정 키 또는 렌치를 제거하십시오.** 전동 공구의 회전 부품에 렌치나 키가 장착되어 있으면 부상을 당할 수 있습니다.
- 무리하게 팔을 뻗지 마십시오.** 항상 바른 자세로 서서 균형을 잡으십시오. 그러면 예기치 않은

상황에서도 전동 공구를 더욱 잘 제어할 수 있습니다.

- f) **적절한 의복을 착용하십시오. 헐렁한 옷을 입거나 장신구를 착용하지 마십시오. 머리카락, 옷 및 장갑이 움직이는 부품에 닿지 않도록 유의하십시오.** 헐렁한 옷, 장신구 또는 긴 머리카락이 움직이는 부품에 걸 수 있습니다.
- g) **분진 추출 및 집진 시설 연결을 위한 장치가 제공된 경우, 이러한 장치가 연결되어 적절하게 사용되고 있는지 반드시 확인하십시오.** 집진 장치를 사용하면 분진과 관련된 위험을 줄일 수 있습니다.

전동 공구 사용 및 관리

- a) **전동 공구에 무리한 힘을 가하지 마십시오. 해당 용도에 맞는 올바른 전동 공구를 사용하십시오.** 올바른 전동 공구를 사용해야 설계된 속도로 작업을 더욱 안전하고 정확하게 수행할 수 있습니다.
- b) **스위치로 켜고 끄지 않는 전동 공구는 사용하지 마십시오.** 스위치로 제어되지 않는 전동 공구는 위험하며 수리해야 합니다.
- c) **전동 공구를 조정하거나 액세서리를 교체하거나 보관하려면 먼저 전동 공구의 전원 또는 배터리 팩에서 플러그를 빼십시오.** 이러한 예방 안전 조치를 따라야 전동 공구가 갑자기 작동하는 위험이 줄어듭니다.
- d) **사용하지 않는 전동 공구는 어린이의 손이 닿지 않는 곳에 보관하고, 전동 공구나 본 지침에 익숙하지 않은 사람이 전동 공구를 사용하지 못하게 하십시오.** 전동 공구는 훈련을 받지 않은 사용자가 다루면 위험합니다.
- e) **전동 공구를 유지 보수하십시오. 움직이는 부품의 잘못된 정렬이나 워밍, 부품 파손 및 기타 전동 공구의 작동에 영향을 미칠 수 있는 상태인지 확인하십시오. 손상된 부분이 있는 경우 사용하기 전에 전동 공구를 수리하십시오.** 사고는 전동 공구를 제대로 유지 보수하지 않았을 때 많이 발생합니다.
- f) **절삭 공구를 날카롭고 깨끗한 상태로 유지하십시오.** 절삭 가장자리를 날카롭게 잘 유지하면 절삭기를 사용할 때 워밍이 적고 다루기가 쉽습니다.
- g) **작업 환경과 수행할 작업을 고려하여, 본 지침에 따라 전동 공구, 액세서리 및 톨 비트 등을 사용하십시오.** 본 사용 설명서의 내용과 다른 용도로 전동 공구를 사용하면 위험한 상황이 발생할 수 있습니다.

배터리 공구 사용 및 관리

- a) **재충전할 경우에는 제조업체에서 지정한 충전기만 사용하십시오.** 한 배터리 팩 유형에 적합한 충전기를 다른 배터리 팩과 함께 사용할 경우 화재 위험이 발생할 수 있습니다.
- b) **명확히 지정된 배터리 팩만 전동 공구에 사용하십시오.** 다른 배터리 팩을 사용하면 부상 또는 화재 위험이 발생할 수 있습니다.

- c) **배터리 팩을 사용하지 않을 때는 클립, 동전, 열쇠, 못, 나사 등의 금속 물체 또는 단자 간을 연결할 수 있는 작은 금속 물체로부터 멀리 두십시오.** 배터리 단자가 단락되면 화재 또는 화재가 발생할 수 있습니다.
- d) **배터리를 오남용하면 배터리에서 액체가 흘러나올 수 있으니 접촉을 피하십시오.** 실수로 접촉한 경우 물로 씻으십시오. 액체가 눈에 들어간 경우 병원 치료를 받으십시오. 배터리에서 흘러나온 액체는 자극 또는 화상을 유발할 수 있습니다.

서비스

- a) **자격을 갖춘 수리 기술자가 동일 교체 부품을 사용하여 전동 공구를 정비해야 합니다.** 그래야 전동 공구를 안전하게 유지할 수 있습니다.

로타리 햄머용 추가 안전 지침

- 귀 보호 장구를 착용하십시오. 소음에 노출되면 청력이 소실될 수 있습니다.
- 보조 핸들을 사용하십시오.(공구와 함께 제공된 경우). 제어력을 잃으면 부상이 발생할 수 있습니다.
- **절삭 액세서리가 숨겨진 배선에 접촉할 수 있는 작업을 수행할 때는 절연된 핸들로 전동 공구를 잡으십시오.** '전류가 흐르는' 전선에 절삭 액세서리가 닿을 경우 전동 공구의 금속 부품에 '전류'가 흘러 작업자가 감전될 수 있습니다.
- 클램프를 사용하거나 다른 실용적인 방법을 통해 작업물을 안정된 받침대에 고정하여 지탱하도록 하십시오. 작업물을 손으로 잡거나 몸으로 지탱하면 작업물이 고정되지 않고 제어력을 잃을 수 있습니다.
- 안전 고글 또는 기타 보안경을 착용하십시오. 햄머 작동 시 파편이 날릴 수 있으며 입자가 날려 눈이 영구적으로 손상될 수 있습니다. 분진이 발생하는 작업에서는 방진 마스크 또는 방독면을 착용하십시오. 대부분의 작업에서는 귀 보호 장구가 필요합니다.
- 항상 공구를 꽉 쥐십시오. 공구를 양손으로 잡지 않고는 공구를 작동하지 마십시오. 항상 사이드 핸들을 사용하는 것이 좋습니다. 이 공구를 한손으로 작동하면 제어력을 잃을 수 있습니다. 강철봉과 같은 단단한 재질을 뚫는 것도 위험할 수 있습니다. 사용하기 전에 사이드 핸들을 단단히 조이십시오.
- 이 공구를 장시간 사용하지 마십시오. 햄머 작동 시 발생하는 진동은 손과 팔에 유해할 수 있습니다. 장갑을 사용하여 완충력을 높이고 자주 휴식을 취하여 진동에 대한 노출을 줄이십시오.
- 비트를 직접 리컨디셔닝하지 마십시오. 치줄 리컨디셔닝은 공인 전문가가 수행해야 합니다. 치줄을 잘못 리컨디셔닝하면 부상이 발생할 수 있습니다.
- 공구를 작동하거나 비트를 교체할 때는 장갑을 착용하십시오. 공구를 작동하는 동안 공구와 비트에서 드러난 금속 부품이 매우 뜨거워질 수 있습니다. 깨진 재료의 작은 부분이 맨손에 상처를 입힐 수 있습니다.
- 비트가 완전히 멈출 때까지 공구를 바닥에 내려놓지 마십시오. 움직이고 있는 비트는 부상을 유발할 수 있습니다.

영문

- **팍 낀 비트를 꺼내기 위해 햄머로 비트를 치지 마십시오.** 금속이나 재료의 파편 조각이 튀어나오면서 부상이 발생할 수 있습니다.
- **약간 마모된 치즐은 연마하여 다시 날카롭게 만들 수 있습니다.**
- **전원 코드는 회전식 비트로부터 멀리 두십시오.** 신체 의 어느 부위도 코드로 감싸지 마십시오. 회전 비트 주위로 감싼 전기 코드가 부상을 유발하여 제어력을 잃을 수 있습니다.


상주 위험

로타리 햄머 사용 시 기본적으로 다음과 같은 위험이 수반됩니다.

- **공구의 회전 부품을 만지거나 가열된 부위에 접촉하여 발생할 부상**
- 관련된 안전 규정을 준수하고 안전 장치를 사용해도 특정 상주 위험은 피할 수 없습니다. 이러한 위험은 다음과 같습니다.
- **청력 소실**
- **액세서리 교체 시 손가락이 낄 위험**
- **콘크리트 및/또는 석조 작업 시 발생하는 분진을 들이마셔 초래되는 건강상의 위험**

전기 안전

전기 모터는 한 가지 전압에만 맞게 설계되었습니다. 배터리 팩 전압이 전동기 네임플레이트에 기재된 전압과 일치하는지 항상 확인하십시오. 충전기의 전압이 주 전원의 전압과 일치하는지도 확인하십시오.

 DeWALT 충전기는 IEC 60335에 따라 이중으로 절연되어 있으므로 접지선이 필요하지 않습니다.

전원 코드가 손상된 경우에는 DeWALT 서비스 센터에 문의하여 특수 제작된 코드로 교체해야 합니다.

연장 케이블 사용

불가피한 경우가 아니면 연장 코드를 사용해서는 안 됩니다. 충전기 전원 입력에 적합한 것으로 승인된 연장 케이블을 사용하십시오. **(기술 자료 참조)**. 도체의 최소 크기는 1mm², 최대 길이는 30m입니다. 케이블 릴을 사용할 때는 항상 케이블을 완전히 푸십시오.

본 지침을 잘 보관해 두십시오.





충전기

DeWALT 충전기는 조정이 필요 없으며 최대한 작동하기 쉽게 설계되었습니다.

모든 배터리 충전기에 대한 중요 안전 지침

본 지침을 잘 보관해 두십시오. 본 설명서에는 호환 배터리 충전기에 대한 중요한 안전 및 작업 지침이 포함되어 있습니다. **(기술 자료 참조)**.

- **충전기를 사용하기 전에 충전기, 배터리 팩, 배터리 팩 탑재 제품에 대한 모든 지침과 주의 표시를 숙지하십시오.**

-  **경고:** 감전 위험. 충전기 내부에 액체가 들어가지 않도록 하십시오. 감전이 초래될 수 있습니다.
-  **경고:** 잔여 전류 정격이 30mA 이하인 누전차단기를 사용하는 것이 좋습니다.
-  **주의:** 화상 위험. 부상 위험을 줄이려면 DeWALT 충전식 배터리를만 충전하십시오. 다른 유형의 배터리는 폭발을 일으켜 부상과 손상을 유발할 수 있습니다.
-  **주의:** 어린이가 있는 경우 기기를 가지고 놀지 않도록 감독해야 합니다.
- 고자:** 특정 조건에서 충전기가 전원 공급장치에 연결되어 있으면 충전기 내부의 노출된 충전 전점이 이물질로 인해 단락될 수 있습니다. 스틸을, 알루미늄 호일 또는 금속 입자 축적물 등 전도성 이물질은 충전기 구멍으로부터 멀리 두어야 합니다. 구멍에 배터리 팩이 없을 때는 항상 전원 공급장치에서 충전기의 플러그를 뽑으십시오. 충전기를 청소하기 전에도 플러그를 뽑아야 합니다.

- **이 설명서에 명시된 것 외의 충전기를 사용하여 배터리 팩을 충전하지 마십시오.** 충전기와 배터리 팩은 함께 작동하도록 특수 설계되었습니다.
- **이들 충전기는 DeWALT 충전식 배터리를 충전하는 것 외의 용도로 사용할 수 없습니다.** 다른 용도로 사용할 경우 화재, 감전 또는 감전사의 위험이 초래될 수 있습니다.
- **충전기를 비나 눈에 노출시키지 마십시오.**
- **충전기를 분리할 때는 코드가 아니라 플러그를 뽑으십시오.** 이렇게 해야 전기 플러그 및 코드가 손상될 위험이 줄어듭니다.
- **밟히거나 발에 걸리거나 손상 또는 압박이 발생하지 않을 곳에 코드를 두십시오.**
- **불가피한 경우가 아니면 연장 코드를 사용하지 마십시오.** 연장 코드를 잘못 사용하면 화재, 감전 또는 감전사의 위험이 초래될 수 있습니다.
- **충전기 위에 물체를 올려 두거나 폭신한 표면에 충전기를 두면 통풍 슬롯이 막혀 내부가 과열될 수 있습니다.** 열원으로부터 충전기를 멀리 두십시오. 충전기 통풍은 하우징의 상단과 하단에 있는 슬롯을 통해 이루어집니다.
- **충전기의 코드나 플러그가 손상된 경우 작동하지 말고 즉시 교체하십시오.**
- **심한 충격이 가해졌거나 떨어뜨렸거나 그 외 손상된 경우에는 충전기를 작동하지 마십시오.** 공인 서비스 센터로 가져가십시오.
- **충전기를 분해하지 마십시오.** 서비스나 수리가 필요한 경우에는 **공인 서비스 센터로 가져가십시오.** 잘못 재조립하면 화재, 감전 또는 감전사의 위험이 초래될 수 있습니다.
- 전원 공급장치 코드가 손상된 경우에는 위험을 방지하기 위해 제조업체의 서비스 담당자 또는 이와 유사한 자격 직원이 즉시 전원 코드를 교체해야 합니다.
- **청소하려면 먼저 충전기를 콘센트에서 분리하십시오. 그램이 감전 위험이 줄어듭니다.** 배터리 팩을 제거해도 감전 위험이 줄어들지는 않습니다.

- **절대로** 충전기 두 개를 함께 연결하지 마십시오.
- 충전기는 **가정용 표준 전력인 220-240V에서 작동하도록 설계되어 있습니다. 그 외 전압에서 충전기를 사용하지 마십시오.** 단, 차량용 충전기는 제외됩니다.




배터리 충전(그림 B)

1. 배터리 팩을 삽입하기 전에 충전기의 플러그를 적절한 콘센트에 꽂습니다.
2. 배터리 팩이 충전기에 완전히 장착될 때까지 배터리 팩 6을 충전기에 삽입합니다. 빨간색 조명(충전 중)이 반복해서 깜박거리면서 충전 프로세스가 시작되었음을 나타냅니다.
3. 빨간색 조명이 계속 켜져 있으면 충전이 완료된 것입니다. 배터리 팩이 완전히 충전되었으면 바로 사용하여나 충전기에 그대로 둡니다. 배터리 팩을 충전기에서 분리하려면 배터리 팩에 있는 배터리 해제 버튼 7을 누릅니다.

참고: 리튬이온 배터리 팩의 성능과 수명을 극대화하려면 맨 처음 사용하기 전에 배터리 팩을 완전히 충전하십시오.

충전기 작동

배터리 팩의 충전 상태는 아래 표시등을 참조하십시오.

충전 표시등	
	충전 중
	충전 완료
	냉/온 팩 지연*

*이 작동 상태에서는 빨간색 조명은 계속 깜박거리고 노란색 조명은 불이 켜져 있습니다. 배터리 팩이 적정 온도에 도달하면 노란색 조명이 켜지고 충전기가 충전 절차를 재개합니다.

결함 있는 배터리 팩은 호환 충전기로 충전되지 않습니다. 배터리에 결함이 있으면 충전기의 조명이 켜지지 않거나 문제 있는 팩이 표시되거나 깜빡임 패턴이 나타납니다.

참고: 이는 충전기에 문제가 있음을 의미할 수도 있습니다.

충전기에 문제가 표시되면 충전기와 배터리 팩을 공인 서비스 센터로 가져가 테스트를 받으십시오.

냉/온 팩 지연

너무 뜨겁거나 차가운 배터리 팩이 감지되면 충전기에서 냉/온 팩 지연이 자동으로 시작되고 배터리 팩이 적정 온도가 될 때까지 충전이 중단됩니다. 그런 다음에 충전기가 팩 충전 모드로 자동 전환됩니다. 이 기능은 배터리 팩 수명의 극대화를 보장합니다.

차가운 배터리 팩은 따뜻한 배터리 팩보다 느린 속도로 충전됩니다. 차가운 배터리 팩은 전체 충전 주기 내내 느린 속도로 충전되며 배터리 팩이 따뜻해진 이후에도 최대 충전 속도로 돌아가지 않습니다.

DCB118 충전기에는 배터리 팩 냉각을 위한 내부 팬이 장착되어 있습니다. 배터리 팩을 냉각해야 할 경우 이 팬의 전원이 자동으로 켜집니다. 팬이 제대로 작동하지 않거나 통풍 슬롯이 막혀 있는 경우 충전기를 절대 작동하지

마십시오. 이물질이 충전기 내부로 들어가지 않도록 하십시오.

전자 보호 시스템

XR 리튬이온 공구는 배터리 과부하, 과열 또는 심방전을 방지하는 전자 보호 시스템을 사용하여 설계되었습니다. 이 공구는 전자 보호 시스템이 작동하면 자동으로 꺼집니다. 이 경우 리튬이온 배터리 팩이 완전히 충전될 때까지 리튬이온 배터리를 충전기에 두십시오.

벽 장착

이 충전기는 벽에 장착하거나 테이블 또는 작업 표면에 똑바로 세울 수 있도록 설계되었습니다. 벽에 장착하는 경우 충전기를 전기 콘센트에 닿는 위치에 두고, 공기 흐름을 방해할 수 있는 구석이나 기타 장애물로부터 멀리 두십시오. 충전기 뒷면을 벽면 장착용 나사의 형판으로 사용하십시오. 나사 머리 지름이 7-9mm이며 최소 길이가 25.4mm인 석고판 나사(별도 구매)를 사용하여 노출된 나사에 가장 적합한 깊이인 약 5.5mm가 되게 나사를 나무에 끼워 충전기를 단단히 장착하십시오. 충전기 뒷면에 있는 슬롯을 노출된 나사에 맞춰 슬롯에 완전히 끼우십시오.

충전기 청소 지침

경고: 감전 위험. 청소하려면 먼저 충전기를 AC 콘센트에서 분리하십시오. 형광이나 부드러운 비금속 브러시를 사용하여 충전기 외관에 묻은 먼지와 기름기를 제거할 수 있습니다. 물이나 세척제를 사용하지 마십시오. 절대로 공구 내부에 액체를 넣거나 공구 일부분을 액체에 담그지 마십시오.

배터리 팩

모든 배터리 팩에 대한 중요 안전 지침

배터리 팩 교체는 주문할 때는 카탈로그 번호와 전압을 반드시 기재하십시오.

배터리 팩은 상자에서 꺼낼 때 완전히 충전된 상태가 아닙니다. 배터리 팩과 충전기를 사용하기 전에 아래의 안전 지침을 숙지하십시오. 그런 다음 설명된 충전 절차를 따르십시오.

모든 지침을 읽으십시오.

- **인화성 액체, 가스, 분진 등의 폭발성 물질이 있는 환경에서는 배터리를 충전하거나 사용하지 마십시오.** 배터리를 충전기에 삽입하거나 충전기에서 분리할 때 분진이나 가스에 불이 붙을 수 있습니다.
- **절대로 배터리 팩을 충전기에 억지로 넣지 마십시오.** 호환되지 않는 충전기에 맞추려고 배터리 팩을 어떤 식으로든 개조하지 마십시오. 배터리 팩이 파열되어 심각한 부상을 초래할 수 있습니다.
- 배터리 팩은 DEWALT 충전기에서만 충전하십시오.
- 물이나 기타 액체가 튀거나 액체에 빠지지 않게 하십시오.

• 온도가 40°C(104°F) 이상으로 올라갈 수 있는 곳(여름철 외부 창고 또는 금속으로 된 건물 등)에 공구와 배터리 팩을 보관하거나 이러한 곳에서 사용하지 마십시오.

• 배터리 팩이 심각하게 손상되었거나 완전히 마모되었어도 소각하지 마십시오. 배터리 팩이 불 속에 있으면 폭발할 수 있습니다. 리튬이온 배터리 팩은 불에 탈 때 독성 연기와 물질을 발생시킵니다.

• 배터리 내용물이 피부에 닿은 경우 순한 비누와 물로 즉시 해당 부위를 씻으십시오. 배터리 액체가 눈에 들어간 경우 15분 정도 또는 자극이 사라질 때까지 눈을 뜬 상태에서 물로 헹궈내십시오. 병원 치료가 필요한 경우에 대비해 배터리 전해질에 액체 유기 탄산염과 리튬염이 혼합되어 있음을 기억하십시오.

• 열린 배터리 셀의 내용물은 호흡기 자극을 유발할 수 있습니다. 신선한 공기를 마시십시오. 증상이 계속되면 병원 치료를 받으십시오.

경고: 화상 위험. 배터리 액체는 불꽃이나 화염에 노출되면 인화할 수 있습니다.

경고: 어떤 이유로든 배터리 팩을 절대 열지 마십시오. 배터리 팩 케이스가 깨지거나 손상된 경우 충전기에 삽입하지 마십시오. 배터리 팩을 찌그러트리거나 떨어뜨리거나 손상시키지 마십시오. 강한 충격이 가해졌거나 떨어뜨렸거나 치었거나 어떤 방식으로든 손상된 경우(즉, 못으로 구멍이 뚫렸거나 해머로 치거나 발로 밟음)에는 배터리 팩이나 충전기를 사용하지 마십시오. 감전 또는 감전사가 초래될 수 있습니다. 손상된 배터리 팩은 재활용을 위해 서비스 센터에 반환해야 합니다.

경고: 화재 위험. 노출된 배터리 단자에 금속 물체가 닿을 수 있게 배터리 팩을 보관하거나 운반하지 마십시오. 예를 들어 배터리 팩을 헐거워진 못, 나사, 열쇠 등과 함께 앞치마, 주머니, 공구 상자, 제품 키트 상자, 서랍 등에 두지 마십시오.

주의: 사용하지 않을 때는 발에 걸리거나 떨어지지 않도록 공구를 평평한 바닥에 두십시오. 배터리 팩이 큰 일부 공구의 경우 배터리 팩에서는 똑바로 세워지지만 쉽게 넘어질 수 있습니다.

운반

경고: 화재 위험. 배터리를 운반할 때 실수로 배터리 단자가 전도성 물체와 접촉하면 화재가 발생할 수 있습니다. 배터리를 운반할 때 배터리 단자가 보호되어 있고 주위에 단자와 접촉해 단락을 일으킬 수 있는 물체로부터 제대로 절연되어 있는지 확인하십시오.

DeWALT 배터리는 위험 물품 운반에 관한 UN 권고, IATA(International Air Transport Association) 위험 물품 규정, IMDG(International Maritime Dangerous Goods) 규정 및 유럽 ADR(Agreement Concerning the International Carriage of Dangerous Goods by Road)을 비롯하여 업계와 법률상의 표준에 규정된 대로 적용되는 모든 운송 규정을 준수합니다. 리튬이온 셀 및 배터리는 위험 물품 운반의 테스트 및 조건 설명서에 기술된 UN 권고 제38.3항에 따라 테스트를 거쳤습니다.

대부분의 경우 DeWALT 배터리 팩 운송은 전체 규제 대상인 9등급 위험 물질로 분류되지 않습니다. 일반적으로 에너지

등급이 100Wh 이상인 리튬이온 배터리를 포함한 운송만 전체 규제 대상인 9등급으로 운송되어야 합니다. 모든 리튬이온 배터리는 팩에 Wh 등급이 표시되어 있습니다. 또한 규정 복잡성으로 인해 DeWALT는 Wh 등급에 관계없이 리튬이온 배터리 팩만 항공편으로 운송하는 것을 권장하지 않습니다. 배터리 팩 Wh 등급이 100Wh를 넘지 않는 경우 애초대로 배터리가 장착된 공구(콤보 키트)를 항공편으로 운송할 수 있습니다.

운송이 예외되는 완전 규제 대상 중 어느 것에 해당되는 발송자는 포장, 라벨 지정/표시 및 문서화 요건에 대한 최신 규정을 참조할 책임이 있습니다.

설명서의 이 섹션에서 제공되는 정보는 성실히 기술되었으며 문서 작성 시점에 정확하다고 간주됩니다. 그러나 명시적 또는 묵시적으로 어떠한 보증도 제공되지 않습니다. 해당 활동이 적용되는 규정을 준수하는지 확인하는 것은 전적으로 구매자의 책임입니다.

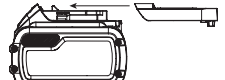
FLEXVOLT™ 배터리 운반

DeWALT FLEXVOLT™ 배터리에는 두 가지 모드, 즉 **사용 및 운반**이 있습니다.

사용 모드: FLEXVOLT™ 배터리가 독립 실행형이거나 DeWALT 18V 제품에 포함된 경우 18V 배터리로 작동합니다. FLEXVOLT™ 배터리가 54V 또는 108V(54V 배터리 두 개) 제품에 포함된 경우에는 54V 배터리로 작동합니다.

운반 모드: FLEXVOLT™ 배터리에 캡이 부착되어 있으면 배터리는 운반 모드입니다. 운반을 위해 캡을 유지합니다.

운반 모드일 때는 셀 열이 팩 내에서 전기적으로 분리되어 와트시 등급이 높은 배터리 1개에 비교했을 때 와트시 등급이 낮은 배터리 3개가 만들어집니다. 이렇게 와트시 등급이 낮은 배터리 3개로 늘어나면 와트시 등급이 높은 배터리에 적용된 특정 운송 규정에서 팩을 면제할 수 있습니다.



예를 들어 운반 Wh 등급은 3 x 36Wh를 나타낼 수 있으며 이는 3개의 배터리가 각각 36Wh임을 의미합니다.

사용 및 운반 라벨 표시 예



사용 Wh 등급은 108Wh(배터리 1개 포함)를 나타낼 수 있습니다.

보관 권장사항

- 1. 최적의 보관 장소는 직사광선과 과도한 열 또는 냉기가 없는 선선하고 건조한 장소입니다. 최적의 배터리 성능과 수명을 위해, 사용하지 않을 때는 상온에서 배터리 팩을 보관하십시오.
- 2. 장기간 보관하는 경우 최적의 결과를 위해 완전히 충전된 배터리 팩을 충전기에서 분리해 선선하고 건조한 장소에 두는 것이 좋습니다.

참고: 배터리 팩을 완전히 방전된 상태로 보관해서는 안 됩니다. 배터리 팩은 사용하기 전에 충전해야 합니다.

충전기 및 배터리 팩의 라벨

이 설명서에 사용된 그림문자 외에 충전기와 배터리 팩의 라벨에 다음 그림문자가 표시될 수 있습니다.



사용하기 전에 지침 설명서를 읽으십시오.



충전 시간은 **기술 데이터**를 참조하십시오.



전도성 물체로 탐침하지 마십시오.



손상된 배터리 팩을 충전하지 마십시오.



물이 닿게 하지 마십시오.



결함 있는 코드는 즉시 교체하십시오.



4~40°C에서만 충전하십시오.



실내에서만 사용하십시오.



환경을 위해 배터리 팩을 올바르게 폐기하십시오.



DeWALT 배터리 팩은 지정된 DeWALT 충전기로만 충전하십시오. 지정된 DeWALT 배터리 외의 배터리 팩을 DeWALT 충전기로 충전하면 배터리가 폭발하거나 기타 위험한 상황이 발생할 수 있습니다.



배터리 팩을 소각하지 마십시오.



사용(운반용 캡 없음). 예: Wh 등급이 108Wh(108Wh인 배터리 1개)를 나타냅니다.



운반(내장 운반용 캡 포함). 예: Wh 등급이 3 x 36Wh(36Wh인 배터리 3개)를 나타냅니다.

배터리 유형

다음 배터리 팩을 사용할 수 있습니다. 자세한 내용은 **기술 데이터**를 참조하십시오.

DCH283은 18볼트 배터리 팩으로 작동합니다.

다음 배터리 팩을 사용할 수 있습니다. DCB181, DCB182, DCB183, DCB183B, DCB184, DCB184B, DCB185, DCB186, DCB546, DCB547. 자세한 내용은 **기술 데이터**를 참조하십시오.

패키지 내용물

패키지 내용물은 다음과 같습니다.

- 1 충전 로타리 햄머 드릴
- 1 사이드 핸들 및 깊이 로드
- 1 충전기
- 1 배터리 팩(D1, L1, M1, P1)
- 2 배터리 팩(D2, L2, M2, P2)
- 3 배터리 팩(D3, L3, M3, P3)

- 1 키트 상자
 - 1 지침 설명서
- 운반 중에 발생했을 수 있는 공구, 부품 및 액세서리의 손상 여부를 확인하십시오.
 - 작동하기 전에 시간을 내어 이 설명서를 찬찬히 읽고 내용을 이해하십시오.

공구에 있는 표시

다음 그림문자가 공구에 표시되어 있습니다.



사용하기 전에 지침 설명서를 읽으십시오.



청력 보호 기구를 착용하십시오.



보안경을 착용하십시오.



가시 광선 조명을 응시하지 마십시오.

날짜 코드 위치

날짜 코드가 제조 연도와 함께 하우징에 인쇄되어 있습니다.

예:

2017 XX XX

제조 연도

설명(그림 A)

경고: 전동 공구나 그 일부분을 절대 개조하지 마십시오. 공구 손상 또는 인적 부상이 초래될 수 있습니다.

- | | |
|--------------|------------------|
| 1 변속 스위치 | 8 주 핸들 |
| 2 정방향/역방향 버튼 | 9 SDS Plus 공구 홀더 |
| 3 모드 선택기 다이얼 | 10 슬리브 |
| 4 모드 선택기 버튼 | 11 깊이 로드 |
| 5 사이드 핸들 | 12 깊이 로드 해제 버튼 |
| 6 배터리 팩 | 13 작업조명 |
| 7 해제 버튼 | 14 유틸리티 후크 |

용도

충전 로타리 햄머 드릴은 전동나사 구동 및 치핑뿐만 아니라 전문적인 드릴링 및 햄머 드릴링 용도로 설계되었습니다.

습한 환경이나 인화성 액체 또는 가스가 있는 장소에서 **사용하지 마십시오.**

충전 로타리 햄머 드릴은 전문 전동 공구입니다.

어린이가 공구를 만지지 않게 **하십시오**. 숙련되지 않은 작업자가 공구를 사용할 때는 감독이 필요합니다.

- **어린이 및 병약자.** 어린이나 병약자가 적절한 사람의 감독 없이 이 기기를 사용해서는 안 됩니다.
- 신체적, 감각적 또는 정신적 능력이 떨어지는 사람(어린이도 포함)이나 경험, 지식 또는 기술이 부족한

사람이 안전 담당자의 감독 없이 본 제품을 사용해서는 안 됩니다. 본 제품 옆에 어린이를 혼자 두어서는 안 됩니다.

과부하 클러치

드릴 비트가 끼면 드릴 스피를 구동이 중단됩니다. 이로 인해 힘이 가해지므로 항상 양손으로 공구를 잡고 안정된 자세를 취하십시오. 과부하가 발생한 후 트리거를 해제했다가 눌러 다시 구동하십시오.

기계식 클러치

기계식 클러치가 장착된 장치에서 진동이 세지면서 톱니바퀴 소리가 나면 클러치가 활성화된 것입니다.

회전 방지 시스템(그림 E)

클러치와 더불어 회전 방지 시스템은 사용자가 햄머를 제어할 수 없을 때 이를 감지할 수 있는 내장형 회전 방지 기술로 사용자 편의성과 안정성을 향상합니다. 비트가 낀 것이 감지되면 토크와 속도가 즉시 줄어듭니다. 이 기능은 공구가 자체 회전하지 않도록 하여 손목 부상을 줄입니다. 회전 방지 시스템 표시기 15의 불빛은 상태를 나타냅니다.

표시기	진단	해결책
꺼짐	공구가 정상적으로 작동하고 있습니다.	공구를 작동할 때 모든 경고와 지침을 따르십시오.
계속 켜져 있음	회전 방지 시스템이 활성화되었습니다 (작동됨).	공구를 제대로 지지하고 트리거를 해제합니다. 트리거를 다시 눌렀을 때 표시기 조명이 꺼지면 공구가 정상적으로 작동하는 것입니다.

활성 진동 제어

진동을 확실하게 제어하려면 **올바른 손 위치**에 설명된 대로 공구를 잡습니다. 활성 진동 제어는 햄머 메커니즘에서 반발 진동을 완화합니다. 손과 팔의 진동이 줄어 오랜 기간 더 편하게 사용할 수 있으며 장치 수명도 연장됩니다. 햄머에 가하면 충분한 압력만 활성 진동 제어가 작동합니다. 압력을 많이 가해도 공구 드릴이나 칩이 빨라지지는 않으며 활성 진동 제어가 작동하지 않습니다.

조립 및 조정

경고: 부상 위험을 줄이려면 부가품/액세서리를 조정하거나 분리/설치하기 전 또는 수리 시 공구를 끄고 배터리 팩을 분리하십시오. 실수로 시동하면 부상이 발생할 수 있습니다.

경고: DeWALT 배터리 팩과 충전기만 사용하십시오.

공구에 배터리 팩 삽입 및 분리(그림 B)

참고: 배터리 팩 6이 완전히 충전되었는지 확인하십시오.

배터리 팩을 공구 핸들에 설치하려면

1. 공구 핸들 안쪽 레일에 배터리 팩 6을 맞춥니다(그림 B).
2. 배터리 팩이 공구에 단단히 장착될 때까지 핸들에 삽입하고 잠금 장치에 제자리에 걸리는 소리가 들리는지 확인합니다.

배터리 팩을 공구 핸들에서 분리하려면

1. 해제 버튼 7을 누르고 배터리 팩을 공구 핸들에서 완전히 빼냅니다.
2. 본 설명서의 충전기 섹션에 설명된 대로 배터리 팩을 충전기에 삽입합니다.

연료계 배터리 팩

일부 DeWALT 배터리 팩에서는 3개의 초록색 LED 조명으로 구성된 배터리 게이지가 배터리 팩의 충전 잔여량 수준을 알려줍니다.

연료계를 작동하려면 연료계 버튼 14을 길게 누릅니다. 3개의 초록색 LED 조명이 조합되어 커져 충전 잔여량 수준을 알려줍니다. 배터리 충전 수준이 작동에 필요한 한도 미만인 경우 배터리 게이지가 켜지지 않으며 배터리를 충전해야 합니다.

참고: 배터리 게이지는 배터리 팩의 충전 잔여량만 알려줍니다. 여기서 공구 기능은 표시되지 않으며 제품 구성품, 온도 및 최종 사용자의 용도에 따라 점멸 상태가 달라질 수 있습니다.

사이드 핸들(그림 A)

경고: 부상 위험을 줄이려면 항상 사이드 핸들을 제대로 설치하여 공구를 사용하십시오. 이렇게 하지 않으면 작동 중에 사이드 핸들이 미끄러져 제어력을 잃을 수 있습니다. 최대한으로 제어할 수 있도록 양손으로 공구를 잡으십시오.

사이드 핸들 5는 기어 케이스 전면에 고정되며 오른손잡이 사용자와 왼손잡이 사용자 모두를 위해 360° 회전됩니다. 액세서리가 얽히거나 정지되었을 때 공구의 비틀림을 견딜 수 있도록 사이드 핸들을 충분히 조여야 합니다. 정지해 있는 동안 공구를 제어하려면 맨 끝에서 핸들을 쥐어야 합니다.

사이드 핸들을 느슨하게 하려면 반시계 방향으로 돌리십시오.

깊이 로드를 조정하려면(그림 C)

1. 사이드 핸들에 있는 깊이 해제 버튼 12을 누릅니다.
2. 로드 끝부분과 비트 끝부분의 거리가 원하는 드릴 깊이와 일치하도록 깊이 로드 11를 옮깁니다.
3. 로드가 제 위치에 고정되도록 버튼을 놓습니다. 깊이 로드에서 드릴링할 때는 로드 끝부분이 작업물의 표면에 닿으면 중지합니다.

유틸리티 후크(그림 A, D)

유틸리티 후크 14는 공구의 왼쪽에 있는 주 핸들 8 아래에 장착되어 있습니다. 유틸리티 후크를 펼치려면 공구에서

빼냅니다. 유틸리티 후크를 보관하려면 공구 쪽으로 다시 밀어 넣습니다. 후크를 더 이상 사용하지 않으려면 완전히 분리할 수도 있습니다.

유틸리티 후크를 분리하거나 다시 장착하려면

- 유틸리티 후크를 연장된 위치에 배치하고 주 핸들의 아래쪽에 있는 육각 머리 나사를 분리합니다.
- 유틸리티 후크가 장치에서 분리될 때까지 빼냅니다.
- 다시 장착하려면 유틸리티 후크를 주 핸들 아래의 슬롯에 삽입합니다. **참고:** DCH273 및 DCH274 모델에서 핸들 양쪽에 후크를 설치할 수 있습니다. 슬롯은 스티커로 덮여 있을 수 있습니다. 스티커를 제거하거나 찢어 가려져 있는 슬롯을 노출시킵니다.
- 육각 나사를 다시 삽입하여 단단히 조입니다.

비트 및 비트 홀더

경고: 화상 위험. **비트를 바꿀 때는 항상 장갑을 착용하십시오.** 공구를 작동하는 동안 공구와 비트에서 드러난 금속 부품이 매우 뜨거워질 수 있습니다. 깨진 재료의 작은 부분이 맨손에 상처를 입힐 수 있습니다.

원하는 용도에 따라 다양한 비트를 햄머 드릴에 장착할 수 있습니다. **날카로운 드릴 비트만 사용하십시오.**

비트 권장사항

- 목재의 경우 트위스트 비트, 스페이드 비트, 전원 오거 비트 또는 원통톱을 사용하십시오.
- 금속의 경우 고속 스틸 트위스트 비트 또는 원통톱을 사용하십시오. 금속을 드릴링할 때는 절삭 윤활유를 사용하십시오. 건식 드릴링이 필요한 주철 및 낚시의 경우는 예외입니다.
- 벽돌, 시멘트, 콘크리트 블록 등과 같은 석조의 경우 충격식 드릴링에 적합한 초경 팁 비트를 사용하십시오.

SDS Plus 비트 홀더(그림 F)

참고: 특정 어댑터에는 공은 자루 비트 및 육각 스크루 드라이브 비트가 포함된 SDS plus 공구 홀더를 사용해야 합니다. **음선 액세서리를** 참조하십시오.

드릴 비트나 기타 액세서리를 삽입하려면:

- SDS Plus 공구 홀더에 비트 자루를 약 19mm 삽입합니다.
- 제자리에 고정될 때까지 비트를 밀어 돌립니다. 비트가 단단히 고정됩니다.
- 비트를 풀러면 슬리브 10를 뒤로 당겨 비트를 분리합니다.

작동

사용 지침


- 경고:** 항상 안전 지침과 적용되는 규정을 준수하십시오.
- 경고:** 부상 위험을 줄이려면 **부가품/액세서리를 조정하거나 분리/설치하기 전 또는 수리 시 공구를 끄고 배터리 팩을 분리하십시오.** 실수로 시동하면 부상이 발생할 수 있습니다.

올바른 손 위치(그림 E)

- 경고:** 부상 위험을 줄이려면 **항상 표시된 대로 올바른 손 위치를 사용하십시오.**
 - 경고:** 부상 위험을 줄이려면 **항상 갑작스러운 반작용에 대비해 단단히 잡으십시오.**
- 올바른 손 위치는 한 손으로 주 핸들 8을 잡고 다른 한 손으로 사이드 핸들 5을 잡는 것입니다.

작동 모드(그림 A)

- 경고:** 공구가 작동 중일 때는 작동 모드를 선택하지 마십시오.
- 모드 선택기 다이얼 3이 공구에 장착되어 있으므로 원하는 작동에 맞는 모드를 선택할 수 있습니다.

기호	모드	용도
	로타리 드릴링	전동나사 구동 스틸, 목재 및 플라스틱 드릴링
	로타리 햄머링	콘크리트 및 석조 드릴링
	햄머링 전용	약식 치핑

작동 모드를 선택하려면:

- 모드 선택기 해제 버튼 4을 누릅니다.
- 화살표가 원하는 모드에 해당하는 기호를 가리키도록 모드 선택기 다이얼을 돌립니다.

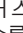
참고: 모드 선택기 3는 항상 로타리 드릴링, 로타리 햄머링 또는 햄머링 전용 모드에 있어야 하며 그 사이에 있는 위치는 사용할 수 없습니다. 기어를 정렬하려면 '햄머링 전용'에서 '로타리' 모드로 변경한 후 모터를 잠시 작동해야 합니다.

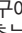
용도에 맞게 작업 수행(그림 A)

- 경고:** 부상 위험을 줄이려면 **항상 작업물이 단단히 고정되어 있는지 확인하십시오.** 얇은 재료를 드릴링하는 경우 재료가 손상되지 않도록 목재로 된 '지지용' 블록을 사용하십시오.
 - 경고:** 회전 방향을 바꾸기 전에 **항상 모터가 완전히 정지될 때까지 기다리십시오.**
- 적합한 척(Chuck), 어댑터 및/또는 비트를 선택하여 공구에 설치하십시오. **비트 및 비트 홀더를** 참조하십시오.
 - 모드 선택기 다이얼 3을 사용하여 원하는 용도에 맞는 모드를 선택하십시오. **작동 모드를 참조하십시오.**
 - 필요에 따라 사이드 핸들 5을 조정합니다.
 - 비트/치줄을 원하는 위치에 놓습니다.
 - 정방향/역방향 버튼 2을 사용하여 회전 방향을 선택합니다. 제어 버튼의 위치를 변경할 때 트리거가 해제되었는지 확인합니다.
 - 정방향 회전을 선택하려면 공구의 오른쪽에 있는 정방향/역방향 제어 버튼을 누릅니다.

- 역방향 회전을 선택하려면 공구의 왼쪽에 있는 역방향/역방향 제어 버튼을 누릅니다.

참고: 제어 버튼을 중앙 위치에 두면 공구가끔 위치에 고정됩니다.

6. 트리거 스위치 를 누릅니다. 트리거 스위치를 누르면 누를수록 공구 작동 속도가 빨라집니다. 공구의 수명을 최대화하려면 구멍을 뚫거나 패스너 사용을 시작할 때만 변속을 사용합니다.

참고: 공구에 따라 트리거 스위치를 누르면 작업 표면을 즉시 비추는 작업조명 이 켜질 수 있습니다. **설명**을 참조하십시오. 작업조명은 트리거 스위치를 놓은 후 20초가 지나면 자동으로 꺼집니다.



경고:

- 가연성 또는 폭발성 액체(벤젠, 알코올 등)를 쉽게 섞거나 펴핑하기 위해 이 공구를 사용하지 마십시오.
- 라벨이 지정된 인화성 액체를 섞거나 전지 마십시오.

유지 보수

DEWALT 전동 공구는 최소한의 유지 보수로 오랜 기간 작동하도록 설계되었습니다. 만족스러운 성능을 계속 얻으려면 적절한 공구 관리와 정기적인 청소가 필요합니다.



경고: 부상 위험을 줄이려면 부가품/액세서리를 조정하거나 분리/설치하기 전 또는 수리 시 공구를 끄고 배터리 팩을 분리하십시오. 실수로 시동하면 부상이 발생할 수 있습니다.

충전기와 배터리 팩은 수리할 수 없습니다.



윤활

전동 공구에는 추가 윤활이 필요 없습니다.



청소



경고: 공기 통풍구 주변에 먼지가 쌓인 것이 보일 때마다 건조한 공기를 주입해 주 하우징에서 먼지와 분진을 제거하십시오. 이 절차를 수행할 때는 승인된 보안경과 방진 마스크를 착용하십시오.



경고: 공구의 비금속 부분을 청소할 때 용제나 기타 유독한 화학물질을 사용하지 마십시오. 이러한 화학물질은 이러한 부분에 사용된 재질을 약화시킬 수 있습니다. 순한 비누와 물을 적신 헝겊만 사용하십시오. 절대로 공구 내부에 액체를 넣거나 공구 일부분을 액체에 담그지 마십시오.

옵션 액세서리

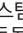


경고: DEWALT에서 제공하는 것 외의 액세서리는 본 제품을 사용해 테스트되지 않았으므로 해당 액세서리를 공구에 사용하는 것은 위험할 수 있습니다. 부상 위험을 줄이려면 DEWALT가 권장하는 액세서리만 본 제품에 사용하십시오.

옵션으로 다양한 유형의 SDS Plus 드릴 비트와 치줄을 사용할 수 있습니다. SDS Plus 부속품을 중심으로 하여, 사용한 액세서리와 부가품은 정기적으로 윤활해야 합니다.

먼지 배출 시스템(그림 G)

일부 호환되는 햄머 드릴의 경우 전용 통합 먼지 배출 시스템을 사용할 수 있으며 별도로 구입할 수 있습니다.

먼지 배출 시스템은 호환되는 햄머 드릴 에 기계적으로 연결하여 작동됩니다.

적합한 액세서리의 호환성에 대한 추가 정보는 대리점에 문의하십시오.

환경 보호



본리 수거. 이 기호가 표시된 제품과 배터리는 일반적인 가정 쓰레기와 함께 처분해서는 안 됩니다.



제품과 배터리에는 회수 또는 재활용할 수 있는 재료가 포함되어 있습니다. 이는 원자재 수요를 줄여 줍니다. 현지 규정에 따라 전기 제품과 배터리를 재활용하십시오. 다음 웹 사이트를 방문하거나 대표전화 1577-0933으로 전화하면 가까운 수리 지정점 위치와 연락처를 찾아볼 수 있습니다. www.dewalt.co.kr

충전식 배터리 팩

이전에는 쉽게 전력을 공급했던 작업에 현재 충분한 전력을 공급하지 못한다면 수명이 긴 이 배터리 팩을 충전해야 합니다. 기술적인 수명이 끝나면 환경을 위해 올바르게 폐기해야 합니다.

- 배터리 팩을 완전히 사용한 후 공구에서 분리합니다.
- 리튬이온 셀은 재활용할 수 있습니다. 대리점이나 현지 재활용 센터로 가져가십시오. 수집된 배터리 팩은 적절히 재활용되거나 폐기됩니다.