

**DEWALT**®

**XR**®

---

English (*original instructions*)

4

---

繁體中文

14

---

한국어

22

---

Fig. A  
圖A  
그림 A

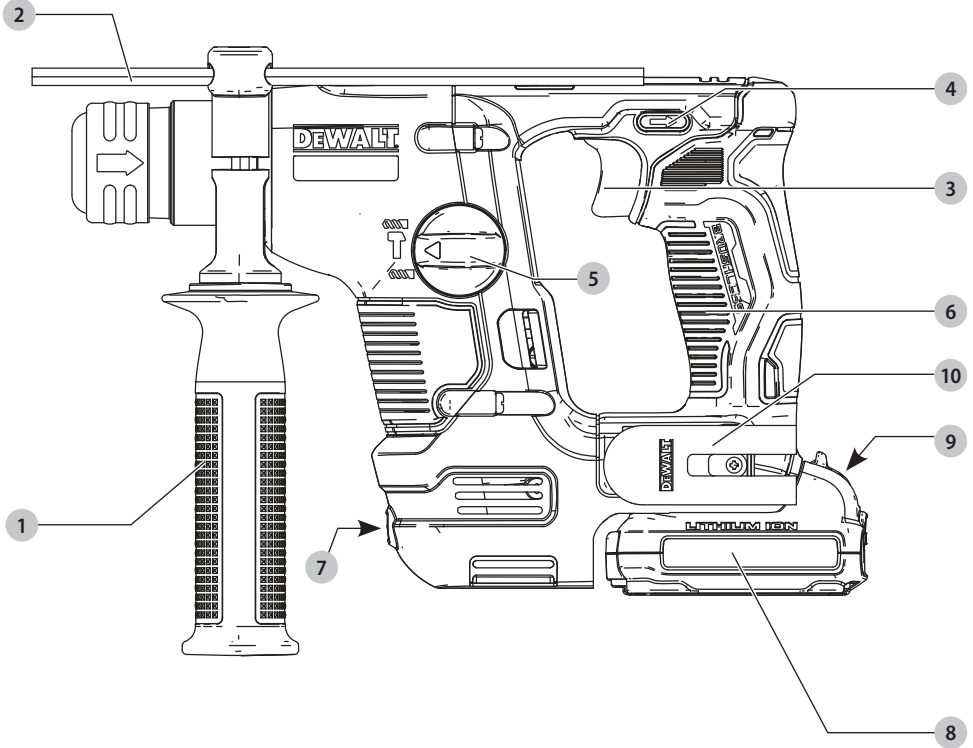


Fig. B  
圖B  
그림 B

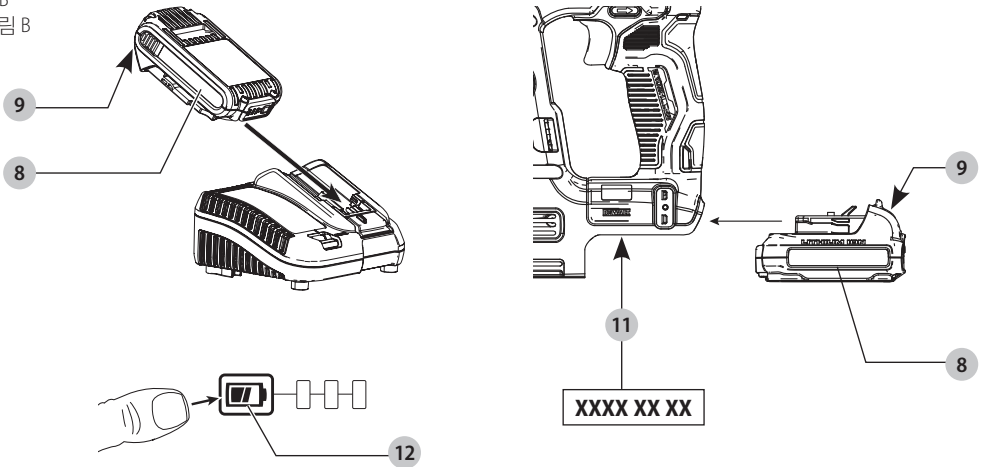


Fig. C  
圖C  
그림 C

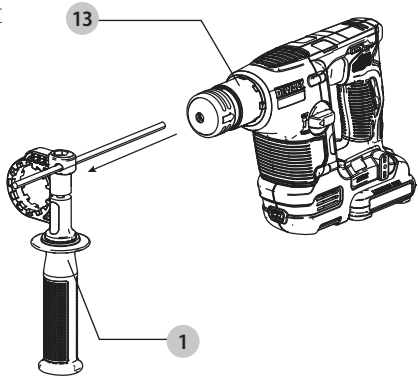


Fig. D  
圖D  
그림 D

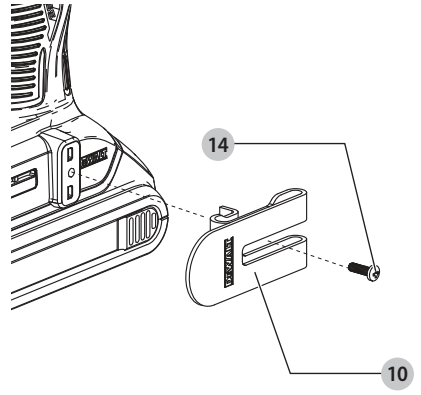


Fig. E  
圖E  
그림 E

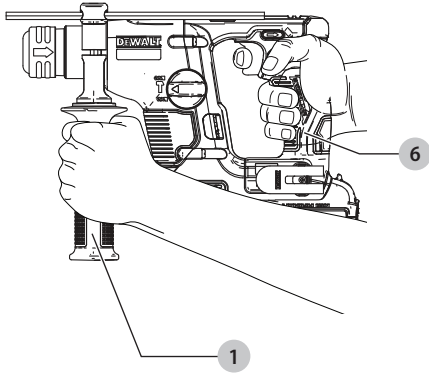


Fig. F  
圖F  
그림 F

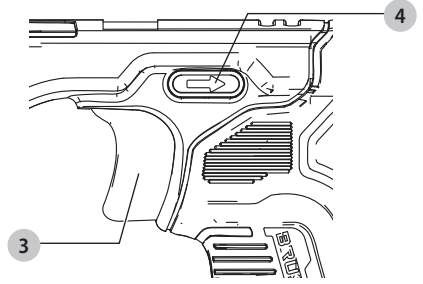


Fig. G  
圖G  
그림 G

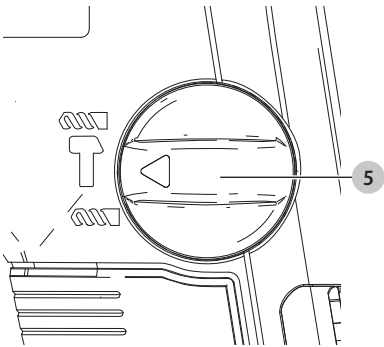


Fig. H  
圖H  
그림 H

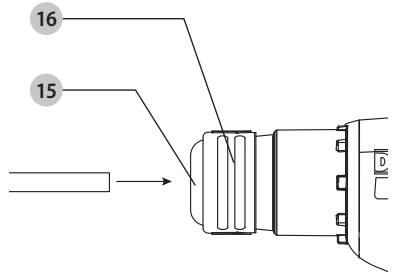
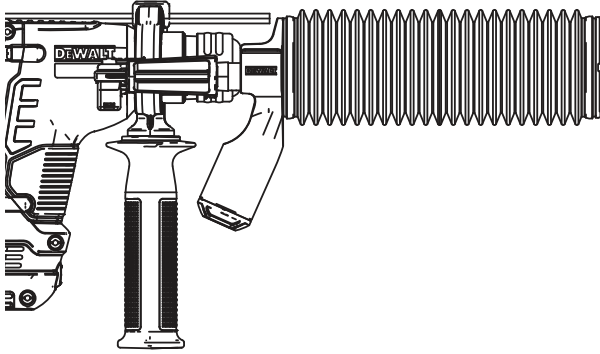


Fig. 1  
圖  
그림 1



# HEAVY-DUTY SDS PLUS® ROTARY HAMMERDRILL


## DCH072

### Congratulations!

You have chosen a DEWALT tool. Years of experience, thorough product development and innovation make DEWALT one of the most reliable partners for professional power tool users.

### Technical Data

		DCH072	
Voltage	$V_{DC}$	10.8(12 Max)	
Battery type		Li-Ion	
Maximum power output	W	400	
No-load speed	$\text{min}^{-1}$	0–910	
No-load beats per min	bpm	4280	
Single impact energy (EPTA 05/2009)	J	1.1	
Optimum drilling range	mm	4–10	
Maximum diameter concrete	mm	14	
Tool holder		SDS plus®	
Weight (without battery pack)	kg	1.7	

 **WARNING:** The declared vibration and/or noise emission level represents the main applications of the tool. However if the tool is used for different applications, with different accessories or poorly maintained, the vibration and/or noise emission may differ. This may significantly increase the exposure level over the total working period.

An estimation of the level of exposure to vibration and/or noise should also take into account the times when the tool is switched off or when it is running but not actually doing

the job. This may significantly reduce the exposure level over the total working period.

Identify additional safety measures to protect the operator from the effects of vibration and/or noise such as: maintain the tool and the accessories, keep the hands warm (relevant for vibration), organisation of work patterns.



**WARNING:** To reduce the risk of injury, read the instruction manual.

### Definitions: Safety Guidelines

The definitions below describe the level of severity for each signal word. Please read the manual and pay attention to these symbols.



**DANGER:** Indicates an imminently hazardous situation which, if not avoided, **will** result in **death or serious injury**.



**WARNING:** Indicates a potentially hazardous situation which, if not avoided, **could** result in **death or serious injury**.



**CAUTION:** Indicates a potentially hazardous situation which, if not avoided, **may** result in **minor or moderate injury**.

**NOTICE:** Indicates a practice **not related to personal injury** which, if not avoided, **may** result in **property damage**.



Denotes risk of electric shock.



Denotes risk of fire.

Batteries				Chargers/Charge Times(Minutes)								
Cat #	V	Ah	Weight kg	DCB104	DCB107	DCB110	DCB112	DCB113	DCB115	DCB116	DCB132	DCB119
DCB122	10.8(12 Max)	2.0	0.22	30	90	90	60	50	30	30	30	60
DCB124/G	10.8(12 Max)	3.0	0.25	45	140	140	90	70	45	45	45	90
DCB125	10.8(12 Max)	1.3	0.20	22	60	60	40	30	22	22	22	40
DCB126/G	10.8(12 Max)	5.0	0.44	75	240	240	150	120	75	75	75	150
DCB127	10.8(12 Max)	2.0	0.22	30	90	90	60	50	30	30	30	60

## GENERAL POWER TOOL SAFETY WARNINGS



**WARNING:** Read all safety warnings, instructions, illustrations and specifications provided with this power tool. Failure to follow all instructions listed below may result in electric shock, fire and/or serious injury.

### SAVE ALL WARNINGS AND INSTRUCTIONS FOR FUTURE REFERENCE

The term "power tool" in the warnings refers to your mains-operated (corded) power tool or battery-operated (cordless) power tool.

#### 1) Work Area Safety

- Keep work area clean and well lit.** Cluttered or dark areas invite accidents.
- Do not operate power tools in explosive atmospheres, such as in the presence of flammable liquids, gases or dust.** Power tools create sparks which may ignite the dust or fumes.
- Keep children and bystanders away while operating a power tool.** Distractions can cause you to lose control.

#### 2) Electrical Safety

- Power tool plugs must match the outlet. Never modify the plug in any way. Do not use any adapter plugs with earthed (grounded) power tools.**  
Unmodified plugs and matching outlets will reduce risk of electric shock.
- Avoid body contact with earthed or grounded surfaces, such as pipes, radiators, ranges and refrigerators.** There is an increased risk of electric shock if your body is earthed or grounded.
- Do not expose power tools to rain or wet conditions.**  
Water entering a power tool will increase the risk of electric shock.
- Do not abuse the cord. Never use the cord for carrying, pulling or unplugging the power tool. Keep cord away from heat, oil, sharp edges or moving parts.** Damaged or entangled cords increase the risk of electric shock.
- When operating a power tool outdoors, use an extension cord suitable for outdoor use.** Use of a cord suitable for outdoor use reduces the risk of electric shock.
- If operating a power tool in a damp location is unavoidable, use a residual current device (RCD) protected supply.** Use of an RCD reduces the risk of electric shock.

#### 3) Personal Safety

- Stay alert, watch what you are doing and use common sense when operating a power tool. Do not use a power tool while you are tired or under the influence of drugs, alcohol or medication.** A moment of inattention while operating power tools may result in serious personal injury.
- Use personal protective equipment. Always wear eye protection.** Protective equipment such as a dust mask, non-skid safety shoes, hard hat or hearing protection used for appropriate conditions will reduce personal injuries.

- Prevent unintentional starting. Ensure the switch is in the off-position before connecting to power source and/or battery pack, picking up or carrying the tool.** Carrying power tools with your finger on the switch or energising power tools that have the switch on invites accidents.
- Remove any adjusting key or wrench before turning the power tool on.** A wrench or a key left attached to a rotating part of the power tool may result in personal injury.
- Do not overreach. Keep proper footing and balance at all times.** This enables better control of the power tool in unexpected situations.
- Dress properly. Do not wear loose clothing or jewellery. Keep your hair and clothing away from moving parts.** Loose clothes, jewellery or long hair can be caught in moving parts.
- If devices are provided for the connection of dust extraction and collection facilities, ensure these are connected and properly used.** Use of dust collection can reduce dust-related hazards.
- Do not let familiarity gained from frequent use of tools allow you to become complacent and ignore tool safety principles.** A careless action can cause severe injury within a fraction of a second.

#### 4) Power Tool Use and Care

- Do not force the power tool. Use the correct power tool for your application.** The correct power tool will do the job better and safer at the rate for which it was designed.
- Do not use the power tool if the switch does not turn it on and off.** Any power tool that cannot be controlled with the switch is dangerous and must be repaired.
- Disconnect the plug from the power source and/or remove the battery pack, if detachable, from the power tool before making any adjustments, changing accessories, or storing power tools.** Such preventive safety measures reduce the risk of starting the power tool accidentally.
- Store idle power tools out of the reach of children and do not allow persons unfamiliar with the power tool or these instructions to operate the power tool.** Power tools are dangerous in the hands of untrained users.
- Maintain power tools and accessories. Check for misalignment or binding of moving parts, breakage of parts and any other condition that may affect the power tool's operation. If damaged, have the power tool repaired before use.** Many accidents are caused by poorly maintained power tools.
- Keep cutting tools sharp and clean.** Properly maintained cutting tools with sharp cutting edges are less likely to bind and are easier to control.
- Use the power tool, accessories and tool bits etc. in accordance with these instructions, taking into account the working conditions and the work to be performed.** Use of the power tool for operations different from those intended could result in a hazardous situation.

- h) **Keep handles and grasping surfaces dry, clean and free from oil and grease.** Slippery handles and grasping surfaces do not allow for safe handling and control of the tool in unexpected situations.

## 5) Battery Tool Use and Care

- a) **Recharge only with the charger specified by the manufacturer.** A charger that is suitable for one type of battery pack may create a risk of fire when used with another battery pack.
- b) **Use power tools only with specifically designated battery packs.** Use of any other battery packs may create a risk of injury and fire.
- c) **When battery pack is not in use, keep it away from other metal objects, like paper clips, coins, keys, nails, screws or other small metal objects, that can make a connection from one terminal to another.** Shorting the battery terminals together may cause burns or a fire.
- d) **Under abusive conditions, liquid may be ejected from the battery; avoid contact. If contact accidentally occurs, flush with water. If liquid contacts eyes, additionally seek medical help.** Liquid ejected from the battery may cause irritation or burns.
- e) **Do not use a battery pack or tool that is damaged or modified.** Damaged or modified batteries may exhibit unpredictable behaviour resulting in fire, explosion or risk of injury.
- f) **Do not expose a battery pack or tool to fire or excessive temperature.** Exposure to fire or temperature above 130 °C may cause explosion.
- g) **Follow all charging instructions and do not charge the battery pack or tool outside the temperature range specified in the instructions.** Charging improperly or at temperatures outside the specified range may damage the battery and increase the risk of fire.

## 6) Service

- a) **Have your power tool serviced by a qualified repair person using only identical replacement parts.** This will ensure that the safety of the power tool is maintained.
- b) **Never service damaged battery packs.** Service of battery packs should only be performed by the manufacturer or authorized service providers.

## Additional Safety Instructions for Rotary Hammers

- **Wear ear protectors.** Exposure to noise can cause hearing loss.
- **Use auxiliary handle(s), if supplied with the tool.** Loss of control can cause personal injury.
- **Hold the power tool by insulated gripping surfaces, when performing an operation where the cutting accessory may contact hidden wiring.** Cutting accessory contacting a "live" wire may make exposed metal parts of the power tool "live" and could give the operator an electric shock.

- **Be certain that the material being drilled does not conceal electric or gas service and that their locations have been verified with the utility companies.**
- **Use clamps or other practical way to secure and support the workpiece to a stable platform.** Holding the work by hand or against your body is unstable and may lead to loss of control.
- **Wear safety goggles or other eye protection.** Hammering operations cause chips to fly. Flying particles can cause permanent eye damage. Wear a dust mask or respirator for applications that generate dust. Ear protection may be required for most applications.
- **Keep a firm grip on the tool at all times. Do not attempt to operate this tool without holding it with both hands.** It is recommended that the side handle be used at all times. Operating this tool with one hand will result in loss of control. Breaking through or encountering hard materials such as re-bar may be hazardous as well. Tighten the side handle securely before use.
- **Do not operate this tool for long periods of time.** Vibration caused by hammer action may be harmful to your hands and arms. Use gloves to provide extra cushion and limit exposure by taking frequent rest periods.
- **Do not recondition bits yourself.** Chisel reconditioning should be done by an authorized specialist. Improperly reconditioned chisels could cause injury.
- **Wear gloves when operating tool or changing bits.** Accessible metal parts on the tool and bits may get extremely hot during operation. Small bits of broken material may damage bare hands.
- **Never lay the tool down until the bit has come to a complete stop.** Moving bits could cause injury.
- **Do not strike jammed bits with a hammer to dislodge them.** Fragments of metal or material chips could dislodge and cause injury.
- **Slightly worn chisels can be resharpened by grinding.**
- **Do not overheat the bit (discoloration) while grinding a new edge.** Badly worn chisels require reforging. Do not reharden and temper the chisel.

## Residual Risks

The following risks are inherent to the use of rotary hammers:

- *Injuries caused by touching the rotating parts or hot parts of the tool.*

In spite of the application of the relevant safety regulations and the implementation of safety devices, certain residual risks cannot be avoided. These are:

- *Impairment of hearing.*
- *Risk of squeezing fingers when changing the accessory.*
- *Health hazards caused by breathing dust developed when working in concrete and/or masonry.*
- *Risk of personal injury due to flying particles.*
- *Risk of burns due to accessories becoming hot during operation.*
- *Risk of personal injury due to prolonged use.*



## Chargers

DEWALT chargers require no adjustment and are designed to be as easy as possible to operate.

### Electrical Safety

The electric motor has been designed for one voltage only. Always check that the battery pack voltage corresponds to the voltage on the rating plate. Also make sure that the voltage of your charger corresponds to that of your mains.



Your DEWALT charger is double insulated in accordance with IEC60335; therefore no earth wire is required.

If the supply cord is damaged, it must be replaced only by DEWALT or an authorised service organisation.

### Using an Extension Cable

An extension cord should not be used unless absolutely necessary. Use an approved extension cable suitable for the power input of your charger (see **Technical Data**). The minimum conductor size is 1 mm<sup>2</sup>; the maximum length is 30 m.

When using a cable reel, always unwind the cable completely.

### Important Safety Instructions for All Battery Chargers

**SAVE THESE INSTRUCTIONS:** This manual contains important safety and operating instructions for compatible battery chargers (refer to **Technical Data**).

- Before using charger, read all instructions and cautionary markings on charger, battery pack, and product using battery pack.



**WARNING:** Shock hazard. Do not allow any liquid to get inside charger. Electric shock may result.



**WARNING:** We recommend the use of a residual current device with a residual current rating of 30mA or less.



**CAUTION:** Burn hazard. To reduce the risk of injury, charge only DEWALT rechargeable batteries. Other types of batteries may burst causing personal injury and damage.



**CAUTION:** Children should be supervised to ensure that they do not play with the appliance.

**NOTICE:** Under certain conditions, with the charger plugged into the power supply, the exposed charging contacts inside the charger can be shorted by foreign material. Foreign materials of a conductive nature such as, but not limited to, steel wool, aluminum foil or any buildup of metallic particles should be kept away from charger cavities. Always unplug the charger from the power supply when there is no battery pack in the cavity. Unplug charger before attempting to clean.

- **DO NOT attempt to charge the battery pack with any chargers other than the ones in this manual.** The charger and battery pack are specifically designed to work together.
- **These chargers are not intended for any uses other than charging DEWALT rechargeable batteries.** Any other uses may result in risk of fire, electric shock or electrocution.
- **Do not expose charger to rain or snow.**

- **Pull by plug rather than cord when disconnecting charger.** This will reduce risk of damage to electric plug and cord.
- **Make sure that cord is located so that it will not be stepped on, tripped over, or otherwise subjected to damage or stress.**
- **Do not use an extension cord unless it is absolutely necessary.** Use of improper extension cord could result in risk of fire, electric shock, or electrocution.
- **Do not place any object on top of charger or place the charger on a soft surface that might block the ventilation slots and result in excessive internal heat.** Place the charger in a position away from any heat source. The charger is ventilated through slots in the top and the bottom of the housing.
- **Do not operate charger with damaged cord or plug—** have them replaced immediately.
- **Do not operate charger if it has received a sharp blow, been dropped, or otherwise damaged in any way.** Take it to an authorised service centre.
- **Do not disassemble charger; take it to an authorised service centre when service or repair is required.** Incorrect reassembly may result in a risk of electric shock, electrocution or fire.
- In case of damaged power supply cord, the supply cord must be replaced immediately by the manufacturer, its service agent or similar qualified person to prevent any hazard.
- **Disconnect the charger from the outlet before attempting any cleaning.** This will reduce the risk of electric shock. Removing the battery pack will not reduce this risk.
- **NEVER** attempt to connect two chargers together.
- **The charger is designed to operate on standard 220-240V household electrical power. Do not attempt to use it on any other voltage.** This does not apply to the vehicular charger.

### Charging a Battery (Fig. B)

1. Plug the charger into an appropriate outlet before inserting battery pack.
2. Insert the battery pack **8** into the charger, making sure the battery pack is fully seated in the charger. The red (charging) light will blink repeatedly indicating that the charging process has started.
3. The completion of charge will be indicated by the red light remaining ON continuously. The battery pack is fully charged and may be used at this time or left in the charger. To remove the battery pack from the charger, push the battery release button **9** on the battery pack.

**NOTE:** To ensure maximum performance and life of lithium-ion battery packs, charge the battery pack fully before first use.

### Charger Operation

Refer to the indicators below for the charge status of the battery pack.

## Charge Indicators



\*The red light will continue to blink, but a yellow indicator light will be illuminated during this operation. Once the battery pack has reached an appropriate temperature, the yellow light will turn off and the charger will resume the charging procedure. The compatible charger(s) will not charge a faulty battery pack. The charger will indicate faulty battery by refusing to light.

**NOTE:** This could also mean a problem with a charger.

If the charger indicates a problem, take the charger and battery pack to be tested at an authorised service centre.

### Hot/Cold Pack Delay

When the charger detects a battery pack that is too hot or too cold, it automatically starts a Hot/Cold Pack Delay, suspending charging until the battery pack has reached an appropriate temperature. The charger then automatically switches to the pack charging mode. This feature ensures maximum battery pack life.

A cold battery pack will charge at a slower rate than a warm battery pack. The battery pack will charge at that slower rate throughout the entire charging cycle and will not return to maximum charge rate even if the battery pack warms.

### Electronic Protection System

XR Li-Ion tools are designed with an Electronic Protection System that will protect the battery pack against overloading, overheating or deep discharge.

The tool will automatically turn off if the Electronic Protection System engages. If this occurs, place the lithium-ion battery pack on the charger until it is fully charged.

### Wall Mounting

These chargers are designed to be wall mountable or to sit upright on a table or work surface. If wall mounting, locate the charger within reach of an electrical outlet, and away from a corner or other obstructions which may impede air flow. Use the back of the charger as a template for the location of the mounting screws on the wall. Mount the charger securely using drywall screws (purchased separately) at least 25.4 mm long with a screw head diameter of 7–9 mm, screwed into wood to an optimal depth leaving approximately 5.5 mm of the screw exposed. Align the slots on the back of the charger with the exposed screws and fully engage them in the slots.

### Charger Cleaning Instructions



**WARNING: Shock hazard. Disconnect the charger from the AC outlet before cleaning.** Dirt and grease may be removed from the exterior of the charger using a cloth or soft non-metallic brush. Do not use water or any cleaning solutions. Never let any liquid get inside the tool; never immerse any part of the tool into a liquid.

## Battery Packs

### Important Safety Instructions for All Battery Packs

When ordering replacement battery packs, be sure to include catalogue number and voltage.

The battery pack is not fully charged out of the carton. Before using the battery pack and charger, read the safety instructions below. Then follow charging procedures outlined.

#### READ ALL INSTRUCTIONS

- **Do not charge or use battery in explosive atmospheres, such as in the presence of flammable liquids, gases or dust.** Inserting or removing the battery from the charger may ignite the dust or fumes.
- **Never force battery pack into charger. Do not modify battery pack in any way to fit into a non-compatible charger as battery pack may rupture causing serious personal injury.**
- Charge the battery packs only in DeWALT chargers.
- **DO NOT splash or immerse in water or other liquids.**
- **Do not store or use the tool and battery pack in locations where the temperature may fall below 4 °C (39.2 °F) (such as outside sheds or metal buildings in winter), or reach or exceed 40 °C (104 °F) (such as outside sheds or metal buildings in summer).**
- **Do not incinerate the battery pack even if it is severely damaged or is completely worn out.** The battery pack can explode in a fire. Toxic fumes and materials are created when lithium-ion battery packs are burned.
- **If battery contents come into contact with the skin, immediately wash area with mild soap and water.** If battery liquid gets into the eye, rinse water over the open eye for 15 minutes or until irritation ceases. If medical attention is needed, the battery electrolyte is composed of a mixture of liquid organic carbonates and lithium salts.
- **Contents of opened battery cells may cause respiratory irritation.** Provide fresh air. If symptoms persists, seek medical attention.



**WARNING:** Burn hazard. Battery liquid may be flammable if exposed to spark or flame.



**WARNING:** Never attempt to open the battery pack for any reason. If battery pack case is cracked or damaged, do not insert into charger. Do not crush, drop or damage battery pack. Do not use a battery pack or charger that has received a sharp blow, been dropped, run over or damaged in any way (i.e., pierced with a nail, hit with a hammer, stepped on). Electric shock or electrocution may result. Damaged battery packs should be returned to service centre for recycling.



**WARNING:** Fire hazard. Do not store or carry the battery pack so that metal objects can contact exposed battery terminals. For example, do not place the battery pack in aprons, pockets, tool boxes, product kit boxes, drawers, etc., with loose nails, screws, keys, etc.

**CAUTION:** When not in use, place tool on its side on a stable surface where it will not cause a tripping or falling hazard. Some tools with large battery packs will stand upright on the battery pack but may be easily knocked over.

## Transportation

**WARNING: Fire hazard.** Transporting batteries can possibly cause fire if the battery terminals inadvertently come in contact with conductive materials. When transporting batteries, make sure that the battery terminals are protected and well insulated from materials that could contact them and cause a short circuit. **NOTE:** Lithium-ion batteries should not be put in checked baggage.

DEWALT batteries comply with all applicable shipping regulations as prescribed by industry and legal standards which include UN Recommendations on the Transport of Dangerous Goods; International Air Transport Association (IATA) Dangerous Goods Regulations, International Maritime Dangerous Goods (IMDG) Regulations, and the European Agreement Concerning The International Carriage of Dangerous Goods by Road (ADR). Lithium-ion cells and batteries have been tested to section 38.3 of the UN Recommendations on the Transport of Dangerous Goods Manual of Tests and Criteria.

In most instances, shipping a DEWALT battery pack will be exempted from being classified as a fully regulated Class 9 Hazardous Material. In general, only shipments containing a lithium-ion battery with an energy rating greater than 100 Watt Hours (Wh) will require being shipped as fully regulated Class 9. All lithium-ion batteries have the Watt Hour rating marked on the pack. Furthermore, due to regulation complexities, DEWALT does not recommend air shipping lithium-ion battery packs alone regardless of Watt Hour rating. Shipments of tools with batteries (combo kits) can be air shipped as excepted if the Watt Hour rating of the battery pack is no greater than 100 Wh.

Regardless of whether a shipment is considered excepted or fully regulated, it is the shipper's responsibility to consult the latest regulations for packaging, labeling/marketing and documentation requirements.

The information provided in this section of the manual is provided in good faith and believed to be accurate at the time the document was created. However, no warranty, expressed or implied, is given. It is the buyer's responsibility to ensure that its activities comply with the applicable regulations.

## Storage Recommendations

1. The best storage place is one that is cool and dry away from direct sunlight and excess heat or cold. For optimum battery performance and life, store battery packs at room temperature when not in use.
2. For long storage, it is recommended to store a fully charged battery pack in a cool, dry place out of the charger for optimal results.

**NOTE:** Battery packs should not be stored completely depleted of charge. The battery pack will need to be recharged before use.

## Labels on Charger and Battery Pack

In addition to the pictographs used in this manual, the labels on the charger and the battery pack may show the following pictographs:



Read instruction manual before use.



See **Technical Data** for charging time.



Do not probe with conductive objects.



Do not charge damaged battery packs.



Do not expose to water.



Have defective cords replaced immediately



Charge only between 4 °C and 40 °C.



Only for indoor use.



Discard the battery pack with due care for the environment.



Charge DEWALT battery packs only with designated DEWALT chargers. Charging battery packs other than the designated DEWALT batteries with a DEWALT charger may make them burst or lead to other dangerous situations.



Do not incinerate the battery pack.

## Battery Type

The following tools operate on a 12 volt battery pack: DCH072. These battery packs may be used: DCB122, DCB124, DCB124G, DCB125, DCB126G, DCB127. Refer to **Technical Data** for more information.

## Package Contents

The package contains:

- 1 Cordless rotary hammerdrill
- 1 Side handle and depth rod
- 1 Battery Charger
- 1 Li-Ion battery pack (C1, D1, G1, L1, M1, P1, S1, T1, X1, Y1 models)
- 2 Li-Ion battery packs (C2, D2, G2, L2, M2, P2, S2, T2, X2, Y2 models)
- 3 Li-Ion battery packs (C3, D3, G3, L3, M3, P3, S3, T3, X3, Y3 models)

1 Kit box (not included for XE models)

1 Instruction manual

**NOTE:** Battery packs, chargers and kitboxes are not included with N models. Battery packs and chargers are not included with NT models. B models include Bluetooth® battery packs.

**NOTE:** The Bluetooth® word mark and logos are registered trademarks owned by the Bluetooth®, SIG, Inc. and any use of such marks by DeWALT is under license. Other trademarks and trade names are those of their respective owners.

- Check for damage to the tool, parts or accessories which may have occurred during transport.
- Take the time to thoroughly read and understand this manual prior to operation.

## Markings on Tool

The following pictograms are shown on the tool:



Read instruction manual before use.



Wear ear protection.



Wear eye protection.



Visible radiation. Do not stare into light.

## Date Code Position (Fig. B)

The date code **6**, which also includes the year of manufacture, is printed into the housing.

Example:

2021 XX XX

Year and Week of Manufacture

## Description (Fig. A)



**WARNING:** Never modify the power tool or any part of it. Damage or personal injury could result.

- 1 Side handle
- 2 Depth rod
- 3 Trigger switch
- 4 Forward/reverse control button (Lock-off button)
- 5 Mode selector
- 6 Main handle
- 7 Worklight
- 8 Battery pack
- 9 Battery release button
- 10 Utility hook

## Intended Use

This heavy-duty cordless rotary hammer is designed for professional concrete, wood and metal drilling applications.

**DO NOT** use under wet conditions or in the presence of flammable liquids or gases.

This heavy-duty cordless rotary hammer is a professional power tool.

**DO NOT** let children come into contact with the tool.

Supervision is required when inexperienced operators use this tool.

- **Young children and the infirm.** This appliance is not intended for use by young children or infirm persons without supervision.
- This product is not intended for use by persons (including children) suffering from diminished physical, sensory or mental abilities; lack of experience, knowledge or skills unless they are supervised by a person responsible for their safety. Children should never be left alone with this product.

## ASSEMBLY AND ADJUSTMENTS



**WARNING:** To reduce the risk of serious personal injury, turn tool off and disconnect battery pack before making any adjustments or removing/installing attachments or accessories. An accidental start-up can cause injury.



**WARNING:** Use only DeWALT battery packs and chargers.

## Inserting and Removing the Battery Pack from the Tool (Fig. B)

**NOTE:** Make sure your battery pack **8** is fully charged.

### To Install the Battery Pack into the Tool Handle

1. Align the battery pack **8** with the rails inside the tool's handle (Fig. B).
2. Slide it into the handle until the battery pack is firmly seated in the tool and ensure that you hear the lock snap into place.

### To Remove the Battery Pack from the Tool

1. Press the release button **9** and firmly pull the battery pack out of the tool handle.
2. Insert battery pack into the charger as described in the charger section of this manual.

## Fuel Gauge Battery Packs (Fig. B)

Some DeWALT battery packs include a fuel gauge which consists of three green LED lights that indicate the level of charge remaining in the battery pack.

To actuate the fuel gauge, press and hold the fuel gauge button **12**. A combination of the three green LED lights will illuminate designating the level of charge left. When the level of charge in the battery is below the usable limit, the fuel gauge will not illuminate and the battery will need to be recharged.

**NOTE:** The fuel gauge is only an indication of the charge left on the battery pack. It does not indicate tool functionality and is subject to variation based on product components, temperature and end-user application.

## Electronic Overload Protection

If the drill bit becomes jammed, the power to the drill spindle will be interrupted by the activation of the electronic overload protection. To reactivate the power to the drive spindle, the tool's trigger should be released and then depressed. Due to the resulting forces, always hold the tool with both hands and take a firm stance.

## Side Handle and Depth Rod (Fig. A, C)



**WARNING:** To reduce the risk of personal injury, **ALWAYS** operate the tool with the side handle properly installed. Failure to do so may result in the side handle slipping during tool operation and subsequent loss of control. Hold tool with both hands to maximize control.

The side handle **1** clamps to the front of the gear case and may be rotated 360° to permit right- or left-hand use.

The side handle clamps to the collar **13** and has 12 tightening locations. The side handle can be tightened by rotating the grip of the side handle clockwise. The side handle must be tightened sufficiently to resist the twisting action of the tool if the accessory bind or stall. Be sure you moved the side handle against the end of the collar end to have the clamping piece fully engaged.

### To Adjust the Depth Rod (Fig. A)

Loosen the side handle **1** and move the depth rod **2** so that the distance between the end of the rod and the end of the bit equals the desired drilling depth. When drilling with depth rod, stop when end of rod reaches surface of material.

### Utility Hook (Fig. D)



**WARNING:** To reduce the risk of serious personal injury, **ONLY** use the tool's utility hook to hang the tool from a work belt. **DO NOT** use the utility hook for tethering or securing the tool to a person or object during use. **DO NOT** suspend tool overhead or suspend objects from the utility hook.



**WARNING:** To reduce the risk of serious personal injury, **ensure** the screw holding the utility hook is secure.

**IMPORTANT:** When attaching or replacing the utility hook **10**, use only the screw **14** that is provided. Be sure to securely tighten the screw.

The utility hook can be attached to either side of the tool using only the screw provided, to accommodate left- or right-handed users. If the hook is not desired at all, it can be removed from the tool.

To move utility hook, remove the screw that holds the utility hook in place then reassemble on the opposite side. Be sure to securely tighten the screw.

## Bit and Bit Holder



**WARNING:** Burn Hazard. **ALWAYS** wear gloves when changing bits. Accessible metal parts on the tool and bits may get extremely hot during operation. Small bits of broken material may damage bare hands.

The hammerdrill can be fitted with different bits depending on the desired application. **Use sharp drill bits only.**

### Bit Recommendations

- For wood, use twist bits, spade bits, power auger bits or hole saws.
- For metal, use high-speed steel twist drill bits or hole saws. Use a cutting lubricant when drilling metals. The exceptions are cast iron and brass which should be drilled dry.

## SDS plus® Bit Holder (Fig. H)

**NOTE:** Special adapters are needed to use the SDS plus® bit holder with straight shank bits and hexagonal screwdriver bits. Refer to **Optional Accessories**.

### To insert a drill bit or other accessory:

1. Insert the shank of the bit about 19 mm into SDS plus® tool holder **15**.
2. Push and rotate bit until it locks in place. The bit will be securely held.
3. To release bit, pull the sleeve **16** back and remove the bit.

## OPERATION

### Instructions for Use



**WARNING:** Always observe the safety instructions and applicable regulations.



**WARNING:** To reduce the risk of serious personal injury, **turn tool off and disconnect battery pack before making any adjustments or removing/installing attachments or accessories.** An accidental start-up can cause injury.

### Proper Hand Position (Fig. E)



**WARNING:** To reduce the risk of serious personal injury, **ALWAYS** use proper hand position as shown.



**WARNING:** To reduce the risk of serious personal injury, **ALWAYS** hold securely in anticipation of a sudden reaction.

Proper hand position requires one hand on the side handle **1**, with the other hand on the main handle **6**.

### Trigger Switch (Fig. A)

To turn the tool on, squeeze the trigger switch **3**. To turn the tool off, release the trigger switch. Your tool is equipped with a brake. The chuck will stop as soon as the trigger switch is fully released.

### Variable Speed Trigger Switch

The variable speed trigger switch enables you to select the best speed for a particular application. The farther you squeeze the trigger switch, the faster the tool will operate. For maximum tool life, use variable speed only for starting holes or fasteners.

**NOTE:** Continuous use in variable speed range is not recommended. It may damage the trigger switch and should be avoided.

### Forward/Reverse Control Button (Fig. F)

A forward/reverse control button **4** determines the direction of bit rotation and also serves as a lock-off button.

**To select forward rotation**, release the trigger switch **3** and depress the forward/reverse control button on the right side of the tool.

**To select reverse**, depress the forward/reverse control button on the left side of the tool.

The center position of the control button locks the tool in the off position. When changing the position of the control button, be sure the trigger is released.

**NOTE:** The first time the tool is run after changing the direction of rotation, you may hear a click on start up. This is normal and does not indicate a problem.

## Worklight (Fig. A)



**CAUTION:** Do not stare into worklight. Serious eye injury could result.

There is a worklight **7** located on the front of the tool. The worklight is activated when the trigger switch is depressed, and will automatically turn off 20 seconds after the trigger switch is released. If the trigger switch remains depressed, the worklight will remain on.

**NOTE:** The worklight is for lighting the immediate work surface and is not intended to be used as a flashlight.

## Operation Modes (Fig. G)





**WARNING:** Do not select the operating mode when the tool is running.



**CAUTION:** Never use in Rotary Drilling or Rotary Hammering mode with a chisel bit in the bit holder. Personal injury and damage to the tool may result.

Your tool is equipped with a mode selector dial **5** to select the mode appropriate to desired operation.

Symbol	Mode	Application
	Rotary Drilling	Screwdriving Drilling into steel, wood and plastics
	Rotary Hammering	Drilling into concrete and masonry

### To select an operating mode:

1. Rotate the mode selector dial so that the arrow points to the symbol corresponding for the desired mode.

**NOTE:** The arrow on the mode selector dial **5** must be pointing at a mode symbol at all times. There are no operable positions in between. It may be necessary to briefly run the motor after having changed from 'hammering only' to 'rotary' modes in order to align the gears.

## Performing an Application (Fig. A, G)



**WARNING: TO REDUCE THE RISK OF PERSONAL INJURY, ALWAYS** ensure workpiece is anchored or clamped firmly. If drilling thin material, use a wood "back-up" block to prevent damage to the material.



**WARNING:** Always wait until the motor has come to a complete standstill before changing the direction of rotation.

1. Choose and install the appropriate chuck, adapter, and/or bit onto the tool. Refer to **Bit and Bit Holder**.
2. Using the mode selector dial **5**, select the mode appropriate to desired application. Refer to **Operation Modes**.

3. Adjust the side handle **1** as necessary.
4. Select the direction of rotation using the forward/reverse button **4**. When changing the position of the control button, be sure the trigger is released.

- To select forward rotation, press the forward/reverse control button on the right side of the tool.
- To select reverse, press the forward/reverse control button on the left side of the tool.

**NOTE:** The center position of the control button locks the tool in the off position.

5. Place the bit/chisel on the desired location.
6. Depress the trigger switch **3**. The farther you depress the trigger switch, the faster the tool will operate. For maximum tool life, use variable speed only for starting holes or fasteners.
7. To stop the hammer, release the switch.

## Recommendations for Tool Operation

- Large (8 mm to 13 mm) holes in steel can be made easier if a pilot hole (4 mm to 5 mm) is drilled first.
- When drilling, always apply pressure in a straight line with the bit, but do not push hard enough to stall the motor or deflect the bit. A smooth even flow of material indicates the proper drilling rate.
- If drilling thin material or material that is prone to splinter, use a wood "back-up" block to prevent damage to the work piece.



### WARNING:

- Do not use this tool to mix or pump easily combustible or explosive fluids (benzine, alcohol, etc.).
- Do not mix or stir inflammable liquids labelled accordingly.

## MAINTENANCE

Your power tool has been designed to operate over a long period of time with a minimum of maintenance. Continuous satisfactory operation depends upon proper tool care and regular cleaning.



**WARNING: To reduce the risk of serious personal injury, turn tool off and disconnect battery pack before making any adjustments or removing/installing attachments or accessories. An accidental start-up can cause injury.**

The charger and battery pack are not serviceable.



## Lubrication

Your power tool requires no additional lubrication.



## Cleaning



**WARNING:** Blow dirt and dust out of the main housing with dry air as often as dirt is seen collecting in and around



the air vents. Wear approved eye protection and approved dust mask when performing this procedure.



**WARNING:** Never use solvents or other harsh chemicals for cleaning the non-metallic parts of the tool. These chemicals may weaken the materials used in these parts. Use a cloth dampened only with water and mild soap. Never let any liquid get inside the tool; never immerse any part of the tool into a liquid.

## Optional Accessories



**WARNING:** Since accessories, other than those offered by DeWALT, have not been tested with this product, use of such accessories with this tool could be hazardous. To reduce the risk of injury, only DeWALT recommended accessories should be used with this product.

Consult your dealer for further information on the appropriate accessories.

## Dust Extraction System (Fig. 1)

The use of a dust extraction system is recommended to reduce potentially harmful airborne dust and to prolong tool and accessory life.

Consult your dealer for further information on suitable dust extraction systems.

## Protecting the Environment



Separate collection. Products and batteries marked with this symbol must not be disposed of with normal household waste.

Products and batteries contain materials that can be recovered or recycled reducing the demand for raw materials. Please recycle electrical products and batteries according to local provisions. Further information is available at [www.2helpU.com](http://www.2helpU.com).

## Rechargeable Battery Pack

This long life battery pack must be recharged when it fails to produce sufficient power on jobs which were easily done before. At the end of its technical life, discard it with due care for our environment:

- Run the battery pack down completely, then remove it from the tool.
- Li-Ion cells are recyclable. Take them to your dealer or a local recycling station. The collected battery packs will be recycled or disposed of properly.

*SDS plus® and SDS max® are registered trade marks of Robert Bosch GmbH*

## AFTER SERVICE AND REPAIR

DeWALT service centers are staffed with trained personnel to provide customers with efficient and reliable product service. We do not take any responsibility when you have repaired in unauthorized service center. You can refer to the leaflet of CONTACT CENTER LOCATOR in product package and contact us through hotline, website or social media to find the nearest DeWALT service center around you.

# 無碳刷四溝二用電鋸鑽

## DCH072

### 恭喜!

感謝您選購DEWALT工具。憑藉多年的經驗、完善的產品開發與創新，DEWALT已成為專業電動工具使用者最可靠的合作夥伴之一。請注意！各地區上市產品/配件不盡相同，請依台灣繁體中文說明書的內容為主。

最大初始電池電壓（在無工作負荷的情形下進行測量）為12伏特。標稱電壓為10.8伏特。

### 技術資料

		DCH072	
電壓	$V_{DC}$	10.8(12 Max)	
電池類型		鋰離子	
最大功率輸出	W	400	
空載轉速	$\text{min}^{-1}$	0-910	
空載打擊次數/分	bpm	4280	
單次衝擊能量 (EPTA 05/2009)	J	1.1	
最優鑽孔範圍	mm	4-10	
最大直徑 混凝土	mm	14	
工具支架		SDS plus®	
重量 (不含電池組)	kg	1.7	



**警告：**宣稱的振動和/或噪音釋放水準所代表的是工具主要應用所發出的振動和/或噪音。然而，如果將工具用於不同應用，搭配不同附件或保養不當，那麼振動和/或噪音的情況就會有所不同。這可能會在整個工作期間大幅提升振動和/或噪音的暴露水準。

當工具關閉或在空轉時，還應預估振動和/或噪音暴露水

準。這可能會在整個工作期間大幅降低振動和/或噪音的暴露水準。

確認額外的安全措施，保護操作人員免受振動和/或噪音的影響，例如：保養工具和附件，保持雙手溫暖（與振動有關），工作形式的組織安排。



**警告：**為了降低受傷的風險，必須仔細閱讀使用手冊。

### 定義：安全指南

以下定義描述了每一個詞彙的嚴重程度。請閱讀本手冊並注意這些符號。



**危險：**表示緊急危險狀況，若未能避免，將導致**死亡**或**嚴重傷害**。



**警告：**表示潛在危險情況，若未能避免，可能導致**死亡**或**嚴重傷害**。



**小心：**表示潛在危險情況，若未能避免，可能導致**輕微**或**中度傷害**。



**注意：**表示一種**非人身傷害**的行為，若未能避免，可能導致**財產損失**。



表示**觸電**危險。



表示**火災**危險。

### 電動工具一般安全警告



**警告！請閱讀安全警告及所有指示。**不遵循下列的這些警告和指示可能會導致觸電、火災及/或嚴重傷害。

電池				充電器/充電時間 (分鐘)					
目錄號	伏特	安時	重量(kg)	DCB104	DCB107	DCB110	DCB112	DCB115	DCB119
DCB122	10.8(12 Max)	2.0	0.22	30	90	90	60	30	60
DCB124/G	10.8(12 Max)	3.0	0.25	45	140	140	90	45	90
DCB125	10.8(12 Max)	1.3	0.20	22	60	60	40	22	40
DCB126/G	10.8(12 Max)	5.0	0.44	75	240	240	150	75	150
DCB127	10.8(12 Max)	2.0	0.22	30	90	90	60	30	60



## 請保存所有警告與指示以備將來查閱。

以下列示所有警告中的術語「電動工具」是指電源驅動(插電)電動工具或電池驅動(充電)電動工具。

### 1) 工作場地安全

- 請保持工作場地清潔明亮。混亂或黑暗的場地會引發事故。
- 請勿在易爆環境，如有易燃液體、氣體或粉塵的環境中操作電動工具。電動工具產生的火花可能會引燃粉塵或煙霧。
- 請等待兒童和旁觀者離開之後才操縱電動工具。分心會導致您疏忽於控制。

### 2) 電氣安全

- 電動工具插頭必須與插座相符。切勿以任何方式改裝插頭。需接地的電動工具不能使用任何配接器插頭。使用未經改裝的插頭與相符的插座可降低觸電風險。
- 避免人體接觸接地表面，如管道、散熱片、爐灶和冰箱。若您的身體接地，會增加觸電的風險。
- 不得將電動工具暴露雨中或潮濕環境中。水進入電動工具會增加觸電風險。
- 切勿濫用電線。請勿使用電線來搬運、拉動電動工具或拔出插頭。讓電線遠離熱、油、銳邊和活動部件。受損或纏繞的電線會增加觸電危險。
- 若要在戶外使用電動工具，請使用適合戶外使用的延長電線。採用適合室外使用的電線可降低觸電危險。
- 若必須在潮濕環境中操作電動工具，請使用受漏電保護器(RCD)保護的電源供應器。使用RCD可降低觸電風險。

### 3) 人身安全

- 保持警覺；在操作電動工具時，請留意所執行的操作並按照一般的程式執行。請勿在疲倦或在受到毒品、酒精或藥品的影響時使用電動工具。操作電動工具時，一時的注意力分散可能會導致嚴重人身傷害。
- 使用個人防護裝置。始終佩戴護目裝置。防護設備(例如在適當條件下使用的防塵面具、防滑安全鞋、安全帽或聽力保護裝置)可減少人身傷害。
- 避免意外啟動。連接電源及/或電池組、舉抬或搬運電動工具之前，請確定開關處於關閉位置。若搬運電動工具時將手指放在開關上，或者在電動工具開關開啟時將插頭插入電源插座，這兩種行為都會引發事故。
- 啟動電動工具之前，請卸下所有的調整鑰匙或扳手。遺留在電動工具旋轉部件上的扳手或鑰匙會導致人身傷害。
- 不要過度伸張雙手。時刻注意腳下與身體的平衡。如此可在意外情況下更好地控制電動工具。
- 適當穿著。請勿穿寬鬆衣服或佩戴飾品。讓您的頭髮、衣服和手套遠離活動部件。寬鬆衣服、佩飾或長髮可能會捲入活動部件中。
- 若配備用於連接排屑裝置、集塵設備的裝置，請確定正確連接和使用這些裝置。使用集塵設備可減少與粉塵有關的危險。
- 請勿因頻繁使用而對工具特別熟悉，讓你變得自滿而忽略工具的安全原則。粗心操作可以在片刻間造成嚴重傷害。

### 4) 電動工具的使用與注意事項

- 請勿超負荷使用電動工具。請根據您的應用使用正確的電動工具。若使用的電動工具正確無誤，該工具能以設計額定值更有效、更安全地執行工作。

- 若開關不能開啟或關閉電源，切勿使用該電動工具。若開關無法控制電動工具，則電動工具存在危險，必須予以維修。
- 在執行任何調整、更換配件或儲存工具之前，必須從電源上拔掉插頭及/或卸下電池組。此類防護性安全措施可降低電動工具意外啟動的風險。
- 將開置的電動工具儲存在兒童無法接觸的地方，並且不要讓不熟悉電動工具或對這些使用指示不瞭解的人員操作電動工具。未經訓練的使用者操作電動工具會發生危險。
- 維護電動工具。檢查活動部件是否對準或卡住、是否存在任何破損情況，或任何能影響電動工具運行的其他情況。若有損毀，必須在使用之前修理電動工具。許多事故都是由於電動工具欠缺維護所導致。
- 保持切削工具鋒利和清潔。妥善維護、刀刀鋒利的刀具卡住的可能性更低，更易於控制。
- 使用電動工具、配件和工具刀頭等時，請遵循這些指示使用，且指示須包含工作環境和所要執行工作的注意事項。若使用電動工具執行與設計用途不相符的操作，會導致危險。
- 手柄和抓握表面都應保持乾燥、清潔及遠離油脂。光滑手柄和抓握表面不便於在意外情況下對工具進行安全處理與控制。

### 5) 電池工具的使用與注意事項

- 只能使用製造廠商指定的充電器為電池充電。使用僅適合一種電池組的充電器為其他類型的電池組充電會導致火災危險。
- 請使用原廠的電動工具電池組。使用其他非原廠的電池組會導致人身傷害和火災危險。
- 不使用電池組時，請將其遠離迴紋針、硬幣、鑰匙、釘子、螺絲以及其他可連通電池兩極的金屬物品。將電池兩極短路會導致灼傷或火災。
- 濫用電池的情況下，液體會從電池中噴出；避免與液體接觸。若不小心接觸液體，請用清水沖洗。若液體噴濺到眼睛上，沖洗之後還應進行治療。從電池噴出的液體會刺激皮膚或造成灼傷。
- 請勿使用已經損壞或改動的電池組或工具。損壞或改動的電池可能表現出不可預計的行為，導致火災、爆炸或傷害風險。
- 請勿讓電池組或工具暴露於火中或過高溫度的環境中。暴露於火中或溫度超過 130°C 的環境中可能導致爆炸。
- 請遵循所有充電說明，請勿在說明中規定的溫度範圍以外的環境對電池組或工具充電。不當或在指定範圍以外的溫度下充電，可能導致電池損壞並增加火災風險。

### 6) 檢修

- 本電動工具必須由合格的維修人員並只採用相同的原廠零件來執行檢修。這將確保電動工具的安全性。
- 切勿維修損毀的電池組。電池組的維修應僅由製造商或授權服務提供商執行。

## 面向轉動鑽鑽的額外安全說明

- 請佩戴聽力保護器。暴露在噪音中可能會導致聽力喪失。
- 請使用輔助手柄(如隨附)。失控會導致人身傷害。
- 當在切割附件有可能切割到暗線的場所進行操作時，只能通過絕緣握持面來握持電動工具。切割附件碰到一根帶電導線可能會使電動工具的外露金屬零件帶電，並讓操作者面臨電擊危險。

- 請確保被鑽孔的材料中並未隱藏電氣或天然氣服務，而且材料的位置已通過了公用事業公司的驗證。
- 使用夾具或其他實用方法，將工具固定、支撐到穩定的平台上。手持或使用身體頂住工件都是不穩定的，會導致操作失控。
- 請佩戴護目鏡或其他護目裝置。錘鑽操作會導致碎屑飛濺。飛濺顆粒會對眼睛造成永久損傷。在會產生粉塵的作業中，請佩戴防塵面具或呼吸面具。在大多數應用中，均需佩戴聽力保護裝置。
- 請始終緊握工具。請勿嘗試在未用雙手握住工具的情況下操作該工具。建議始終都要使用側手柄。單手操作該工具會導致失控。突破或遭遇硬質材料，例如鋼筋，同樣會造成危險。請在使用前擰緊側手柄。
- 請勿長時間操作此工具。錘鑽所產生的震動會有害您的雙手和雙臂。請使用手套為您提供額外緩衝，同時請頻繁休息，以限制自己對震動的暴露程度。
- 請勿自行修復鑽頭。應由獲得授權的專門人員進行鑿子維修。維修不當的鑿子會導致受傷。
- 在操作工具或更換鑽頭時請戴好手套。工件上可接觸的金屬部件以及鑽頭會在運行中變得極度燙手。破碎材料的碎屑可能會損傷裸露的雙手。
- 直到鑽頭完全停止運動後才可放下電動工具。轉動的鑽頭會導致受傷。
- 請勿用錘子敲打卡住的鑽頭以使其脫落。金屬片或金屬碎屑可能會導致阻塞並使人受傷。
- 可通過研磨對輕微磨損的鑿子進行重新打磨。
- 打磨最邊沿時，請勿使鑽頭過熱（變色）。嚴重磨損的鑿子需要重新修整。請勿重新打磨鑿子。

## 剩餘風險

使用旋轉錘鑽存在以下固有風險：

- 由於觸碰工具的轉動部件或發熱部件而導致的受傷。
- 尽管遵守了相關的安全法規並採用了安全裝備，某些剩餘風險仍然是無法避免的。這些風險包括：
- 听力損傷。
  - 更換附件時擠壓手指的風險。
  - 由於吸入在混凝土和/或磚石結構中作業時產生的粉塵而導致的健康危害。
  - 飛濺顆粒造成的人身傷害風險。
  - 使用時附件發熱導致的灼傷風險。
  - 長時間使用引起的人身傷害風險。

## 充電器

DeWALT 充電器無需調節，專為盡可能輕鬆使用而設計。

### 電氣安全

電動馬達只適用一種電壓。請務必檢查電池組電壓是否與銘牌一致，並且確保充電器的電壓與電源電壓一致。



DeWALT 充電器符合 IEC60335 雙重絕緣要求，因此無需使用接地線。

如果電源線損壞，必須由 DeWALT 或授權的維修機構負責更換。

## 使用延長電纜

如非絕對必要，否則不要使用延長電線。請使用與充電器的輸入功率相匹配的認可延長電纜（請參閱技術資料）。導體的最小橫截面尺寸為 1 平方公釐，最長為 30 米。

使用電纜捲筒時，每次必須把電纜完全展開。

## 所有電池充電器之重要安全指示

**請妥善保管好這些說明：**本手冊包含重要的相容電池充電器安全和操作說明（請參閱技術資料）。

- 在使用充電器之前，請先閱讀所有指示以及充電器、電池組和使用電池組的產品上的警告標記。



**警告：**觸電危險。切勿讓任何液體進入充電器，否則可能會導致觸電。



**警告：**建議使用漏電流額定值不超過 30mA 的漏電流保護裝置。



**小心：**燒傷危險。為了減低受傷風險，只可以使用 DeWALT 可充電電池。其他非原廠電池可能會爆裂，導致人身傷害和損傷。





**小心：**必須監督兒童，確保他們沒有耍玩器具。

**注意：**在某些情況下，充電器連接到電源後，充電器內暴露的充電觸頭會被異物導致短路。導電的異物，包括但不限於鋼絲絨、鋁箔紙或任何由金屬粒子組成的物件，必須要遠離充電器範圍。充電器裡沒有電池組時，一定要拔掉充電器的電源。請先拔掉電源插頭後再清潔充電器。

- 請勿嘗試使用本手冊未提到的充電器為電池組充電。充電器和電池組是專為搭配使用而特別設計。
- 除了為 DeWALT 可充電電池充電之外，這些充電器不可以用於其他用途。否則可能會導致火災、觸電或觸電致死。
- 請勿將充電器暴露在雨或雪中。
- 中斷充電器的電源時，請拔除插頭而非拉扯電線。這樣會減低電源插頭和電線損壞的風險。
- 請確保電線的位置不會遭踐踏、令人絆倒或容易受到其他方式的損壞或受壓。
- 除非絕對需要，否則請勿使用延長電線。使用不適當的延長電線會引起火災、觸電或觸電致死。
- 請勿將任何物件放在充電器上面，或是把充電器放在可能會堵住通風槽的柔軟表面，導致充電器的內部過熱。請將充電器放到遠離熱源的位置。充電器透過外殼頂部及底部的槽散熱。
- 請勿操作電線或插頭損壞的充電器，請立即予以更換。
- 如果充電器受到重擊、墜落或出現其他損壞情況，請勿使用充電器，並應拿到授權維修中心修理。
- 請勿自行拆卸充電器。需要維護或修理時，請拿到授權維修中心。重新組裝不當可能會導致觸電、觸電致死或火災。
- 若電源線損毀，必須由製造商、服務代理或同等資質的人員立即更換以避免發生危險。
- 在清潔之前，請將充電器的插頭從電源插座上拔掉，這樣可以減低觸電風險。拆除電池組並不能夠降低這種風險。切勿試圖將 2 個充電器連接在一起。
- 充電器是為標準 110 伏特的家用電源而設計。請勿試圖使用其他電壓。本規定不適用於車載充電器。

## 為電池充電 (圖 B)

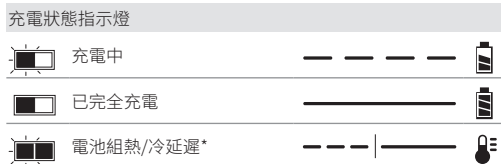
- 放入電池組前，先將充電器的插頭插入適當的插座。
- 將電池組  放進充電器，確保電池組已完全放入。紅燈（充電中）會不斷閃爍，這表示充電程序已經開始。

3. 當紅燈持續亮起時，代表充電完成。此時，電池組的電力全滿，可以立即使用或是留在充電器裡。要從充電器上取下電池組，請按下電池組上的電池釋放按鈕 。

**註：**為了確保鋰離子電池組的效能及使用壽命最大化，在第一次使用電池組之前必須完全充電。

## 充電器操作

如需瞭解電池組的充電狀態，請參閱以下指示燈。



\*紅燈會繼續閃爍，但在執行此操作期間黃色指示燈將亮起。電池組達到適當溫度後，黃色指示燈將熄滅，充電器將恢復充電程序。相容的充電器不會為有故障的電池組充電。充電器會透過不亮燈來表示電池組故障。

相容的充電器不會為有故障的電池組充電。充電器會透過不亮燈來表示電池組故障。

**註：**亦有可能是充電器發生故障。

如果充電器指示故障，請將充電器和電池組拿到授權維修中心進行測試。

## 電池組熱/冷延遲

若充電器偵測到電池組過熱或過冷，會自動啟動電池組熱/冷延遲，在電池組達到適合的溫度之前暫停充電。然後，充電器會自動轉換到電池組充電模式。此功能可確保電池組的使用壽命最大化。

冷電池組的充電速度大約是暖電池組的一半。在整個充電週期，電池組會以較慢的充電速度進行充電，即使電池組變暖，充電速度亦不會回復至最大充電速度。

## 電子保護系統


XR 鋰離子工具的設計具有電子保護系統，可保護電池組，避免過載、過熱或深度放電。

如果電子保護系統啟動，本工具會自動關閉。如果出現此情況，請將鋰離子電池組放進充電器直到電力全滿。

## 牆面安裝

這些充電器經過精心設計，可以安裝在牆面上或立在工作臺或工作表面上。若採用牆面安裝，請將充電器安裝在電源插座連接範圍內的位置，並遠離角落或可能阻礙空氣流動的障礙。將充電器的背面用作在牆面上確定安裝螺絲位置的型板。使用長度至少 25.4 公釐、螺頭直徑為 7-9 公釐的牆用螺絲(另售)牢固安裝充電器，旋進木料的最佳深度為螺絲大約有 5.5 公釐長度露在木料外。將露出的螺絲與充電器背面的槽對齊，並完全接合到槽中。

## 充電器清潔指示

 **警告：觸電危險。在清潔之前，請將充電器的插頭從電源插座上拔掉。**使用軟布或非金屬軟刷，去除充電器外部的污垢和油脂。切勿讓任何液體滲入工具，切勿讓工具的任何部件浸在液體中。

## 電池組

### 所有電池組之重要安全指示

在訂購更換電池組時，請務必附上目錄型號和電壓。

在包裝箱內的電池組並未完全充電。使用電池組和充電器之前，請閱讀下列安全指示，然後遵循所述的充電程式。

## 請閱讀所有指示

- **不要在易爆環境，如有易燃液體、氣體或粉塵的環境中進行充電或使用電池組。**將電池組放進充電器或從充電器中取出電池組可能會點燃粉塵或氣體。
- **切勿強行將電池組放進充電器。請勿以任何方式改裝電池組以在不相容的充電器中使用，否則電池組可能會破裂，導致嚴重人身傷害。**
- 請僅使用指定的 DeWALT 充電器為電池充電。
- **請勿**將水分或其他液體飛濺到電池組或將電池組浸沒。
- **請勿**在溫度可能低於 4 °C (39.2 °F) (如冬天戶外的棚子或金屬建築物中)，或在溫度可能達到或超過 40 °C (104 °F) 的地方 (如夏天戶外的棚子或金屬建築物中) 存儲或使用工具和電池組。
- **即使電池組已嚴重損毀或磨損，也請勿焚燒電池組。**電池組可能會在火中爆炸。焚燒鋰離子電池組時會產生有毒氣體和物料。
- **若電池液體接觸到皮膚，請立即以中性肥皂與清水沖洗接觸範圍。**若電池液體進入眼睛，請睜開眼睛，用清水沖洗 15 分鐘或直到不適感消失為止。如果需要接受治療，電池的電解質由液化有機碳酸鹽和鋰鹽構成。
- **開啟的電池中的物質可能會導致刺激呼吸道。**請轉移至空氣流通處。如果症狀持續，請尋求醫療救助。



**警告：**灼燒危險。電池液如遇到火花或火焰可能會引起燃燒。



**警告：**不論是因為任何理由，都不要嘗試打開電池。如果電池組的外殼破裂或損毀，請勿放進充電器。切勿撞擊、摔落或損毀電池組。切勿使用受到重擊、墜落或出現其他損壞情況的電池組或充電器 (例如釘子刺穿、以錘子敲打或踐踏)。否則可能會引起觸電或觸電致死。損毀的電池組應該送回維修中心進行回收。



**警告：**火災危險。請勿在儲存或搬運電池組時讓金屬物件接觸暴露的電池兩極。例如，不要將電池組放在帶有鬆動的釘子、螺絲、鑰匙等的地方。



**小心：**不使用工具時，請將工具平放在沒有絆倒或跌落危險的穩定平面上。一些具有大型電池組的工具可以直立但可能會輕易被撞倒。

## 運輸



**警告：**火災危險。搬運電池時若電池兩極意外接觸導電材料。運輸個別電池組時，請確保電池兩級受到保護並與可能接觸兩級並導致短路的材料隔絕。

**註：**鋰離子電池不應放在託運行李中。

DeWALT 電池符合行業和法律標準 (包括聯合國危險貨物運輸建議書、國際航空運輸協會 (IATA) 危險物品處理規則、國際海運危險物品 (IMDG) 處理規則以及國際公路運送危險物品歐洲協議 (ADR)) 規定的所有適用運輸規章。鋰離子電池和電池組均已根據《聯合國危險貨物運輸建議書測試與標準手冊》第 38.3 節的規定進行測試。大多數情況下，不會將運輸 DeWALT 電池組分歸為完全管制的第 9 類危險品。一般只有在運輸中包含額定能量大於 100 瓦時 (Wh) 的鋰離子電池時，才會將其分歸為完全管制的第 9 類危險品。所有鋰離子電池外殼上均標註有瓦時等級。此外，由於規章的複雜性，DeWALT 不建議對鋰離子電池組單獨採用空運，不論其額定能量是多少瓦時，都是如此。若電池組的額定能量不超過 100 瓦時，可以同時空運工具與電池組 (組合套件)。

無論運輸是否納入完全管制範圍內，運輸方均有責任諮詢瞭解針對包裝、標籤/標記及單據要求的最新規定。手冊本節資訊基於良

好商譽原則提供，在編製文件時被視為準確無誤，但不提供任何明示或暗示的保證。買方負有確保其行為遵守適用法規的責任。

## 儲存建議

1. 乾燥、涼爽、太陽不會直接照射、不會過熱或過冷的地方是電池組的最佳存放地點。為達到最大效能和使用壽命，不使用電池時請以室溫儲存電池組。
2. 如需長期儲存，建議將電力全滿的電池組從充電器卸下，儲存於涼爽、乾燥處，使電池組效能達到最佳。

**註：**電池組不應在電力耗盡的情況下儲存。在使用之前，電池組必須再次充電。

## 充電器和電池組上的標籤

除了本手冊的圖示之外，充電器及電池組上的標籤包含以下圖示：



使用前請閱讀使用手冊。



充電時間請見**技術資料**。



切勿插入導體。



切勿為損毀的電池組充電。



切勿暴露在水中。



立即更換損壞的電線。



只在溫度介於 4°C 至 40°C 之間充電。



僅供室內使用



棄置電池組時要顧及環保。



只使用指定的 DeWALT 充電器為 DeWALT 電池組充電。使用 DeWALT 充電器對指定的 DeWALT 電池以外的電池組充電會爆裂或導致其他危險情形。



切勿焚化電池組。

## 電池類型

以下工具可在 12 伏特電壓下運行：DCH072

這些電池組可用於：DCB122, DCB124, DCB124G, DCB125, DCB126G, DCB127。更多資訊請見**技術資料**。

## 套裝內的物件

本套裝包括：

- 1 無碳刷四溝二用電鋸鑽
- 1 側手柄和深度調整桿

- 1 電池充電器
- 1 鋰電池組 (C1, D1, G1, L1, M1, P1, S1, T1, X1, Y1 型號)
- 1 鋰電池組 (C2, D2, G2, L2, M2, P2, S2, T2, X2, Y2 型號)
- 1 鋰電池組 (C3, D3, G3, L3, M3, P3, S3, T3, X3, Y3 型號)
- 1 個工具箱 (XE 型號中未包含)
- 1 使用手冊

**注意：**電池組、充電器和工具箱沒有隨 N 型號附送。電池組和充電器沒有隨 NT 型號附送。B 型號包括 Bluetooth® 電池組。

**注意：**Bluetooth® 標誌和徽標是註冊商標，歸 Bluetooth®, SIG, Inc. 所有，而且 DeWALT 對該標誌的任何使用均獲得許可。其他商標和商標名均歸各自所有者所有。

- 檢查集塵器、部件或附件是否在運輸過程中損壞。
- 操作前，請抽空仔細閱讀並掌握本手冊。

## 工具上的標誌

工具上會附帶下列圖示：



使用前請閱讀使用手冊。



請佩戴聽力保護器。



請佩戴護目鏡。



肉眼可見的輻射。請勿直視光照。

## 日期代碼位置 (圖 B)

日期代碼 6 包括製造年份，已經印刷在工具外殼上。

範例：

2021 XX XX

製造的年份和週

## 說明 (圖 A)



**警告：**請勿啟動本電動工具或其任何部件，否則可能導致損壞或人身傷害。

- 1 側手柄
- 2 深度調整桿
- 3 扳機開關
- 4 正向/反向控制按鈕 (鎖止按鈕)
- 5 模式選擇器
- 6 主手柄
- 7 工作燈
- 8 電池組
- 9 電池釋放按鈕
- 10 掛鉤

## 設計用途

這款重型無碳刷四溝二用電鋸鑽被設計用於專業的混凝土、木材和金屬鑽孔應用。

**請勿**在潮濕環境中或在易燃液體或氣體存在的環境中使用本工具。這款重型無碳刷四溝二用電鋸鑽是一款專業電動工具。

**請勿**讓兒童接觸本工具。缺乏經驗的操作員需要在監督下使用本工具。



- **幼童和體弱者。**幼童和體弱者不適合在無監督下使用本工具。
- 體力、感覺或智力不足，以及缺乏經驗、知識或技能的人員（包括兒童）不適合使用本產品，除非一旁有能為他們安全負責的監督人員。請勿讓兒童單獨接觸本工具。

## 裝配與調整

**警告：**為了減低造成嚴重人身傷害的風險，在進行任何調整或取出/安裝附件或配件之前，請關閉裝置。意外啟動工具可能會造成傷害。

**警告：**請僅使用 DeWALT 電池組與充電器。

## 插入或取出工具上的電池組 (圖 B)

**注意：**請確保您的電池組 **8** 完全充電。

### 將電池組安裝到工具手柄中

1. 將電池組 **8** 對齊工具手柄內的軌道 (圖 B)。
2. 將電池組滑入手柄內，使其牢牢地固定在工具內，並確保您聽到其鎖定到位的聲音。

### 從工具中取出電池組

1. 按下釋放按鈕 **9** 將電池組從工具握柄中穩妥地拉出。
2. 按本手冊充電器部分所述將電池組插入充電器中。

### 電池組電量計 (圖 B)

一些 DeWALT 電池組帶有一個包含三個綠色 LED 指示燈的電量計，用於指示電池組內的剩餘電量。

按下電量計按鈕不鬆開，即可啟動電量計 **12**。三個綠色 LED 指示燈將以組合方式亮起，以指示剩餘電量。當電池內的電量低於可用限制時，電量計將不會亮起，電池將需要重新充電。

**注意：**電量計僅指示電池組的剩餘電量。它並不表示該工具的功能，且將根據產品組件、溫度和最終用戶的使用情況而有所不同。

## 電氣過載保護

如果鑽頭阻塞，那麼輸向鑽軸的電力會因為電氣過載保護被激活而中斷。如需重新激活輸向鑽軸的電力，應先鬆開工具的扳機開關，然後再按下該開關。對於由此產生的力量，請務必雙手握緊工具並站穩。

## 側手柄和深度調整桿 (圖 A, C)

**警告：**為降低人員受傷的風險，**務必**先妥善安裝側手柄，然後再使用該工具。如果安裝不當，側手柄可能會在工具運行時滑落，進而導致失控。雙手握緊工具，實現最大控制。

側手柄 **1** 夾在齒輪箱前面，可轉動 360°，允許慣用右手或左手的用戶使用。

側手柄夾在套環 **13** 上，擁有 12 個擰緊位置。可以順時針轉動側手柄把手，從而擰緊側手柄。必須充分擰緊側手柄，以應對工具出現扭動的情況（如果附件夾住或停轉）。確保您將側手柄移到套筒末端，讓夾緊件完全接合。

### 調整深度調整桿 (圖 A)

鬆開側手柄 **1** 並移動深度調整桿 **2**，使得調整桿的末端和鑽頭末端相等。在裝上深度調整桿後鑽孔時，請在調整桿末端觸碰到材料表面時停止作業。

## 掛鉤 (圖 D)

**警告：**為降低嚴重人員受傷的風險，僅使用工具的掛鉤將工具掛在工作帶上。請勿使用掛鉤將處於使用過程中的工具栓係或固定在人員或物體上。請勿將工具懸掛在頭頂上或將物體掛在掛鉤上。

**警告：**為降低嚴重人員受傷的風險，請確保固定掛鉤的螺絲足夠牢固。

**重要：**在安裝或更換掛鉤 **10** 時，僅使用工具隨附的螺絲 **14**。確保牢固擰緊螺絲。

掛鉤可通過工具隨附的螺絲安裝在工具的任何一側，以便於慣用左右或右手的用戶使用。如果完全無需掛鉤，可以將其從工具上拆除。如需拆除掛鉤，請先拆除固定掛鉤的螺絲，然後再安裝在對側。確保牢固擰緊螺絲。

## 鑽頭和鑽頭固定器

**警告：**燃燒風險。**務必**在更換鑽頭時戴好手套。工件上可接觸的金屬部件以及鑽頭會在運行中變得極度燙手。破碎材料的碎屑可能會損傷裸露的雙手。

根據需要的應用，錘鑽可配備不同的鑽頭。**僅使用鑽孔鑽頭。**

### 鑽頭推薦

- 對於木材，請使用麻花鑽頭、鍍形鑽頭、動力螺旋鑽頭或孔鋸。
- 對於金屬，請使用高速鋼製麻花鑽頭或孔鋸。在對金屬鑽孔時，請使用切割潤滑劑。鑄鐵和黃銅是例外情況，應在乾燥的情況下鑽孔。

### SDS plus® 鑽頭固定器 (圖 H)

**注意：**如需與直柄鑽頭和六角螺絲刀鑽頭搭配使用 SDS plus® 鑽頭固定器，需要採用特別適配器。參見可選附件。

**如需插入鑽孔鑽頭或其他附件時：**

1. 將鑽頭柄插入 SDS plus® 工具支架 **15** 中約 19 mm。
2. 推動並轉動鑽頭，直到其鎖定到位。鑽頭將被牢固固定。
3. 如需鬆開鑽頭，請拉回套筒 **16** 並拆除鑽頭。

## 操作

### 使用說明

**警告：**務必遵守安全指示和適用的規則。

**警告：**若要降低嚴重人身傷害的風險，請在運輸、進行調整、清潔、維修或卸下/安裝附件或配件之前，關閉工具並取出電池組或電源供應器。意外啟動工具可能會造成傷害。

### 正確的雙手放置位置 (圖 E)

**警告：**為降低遭受嚴重人身傷害的風險，**務必**如圖示那樣正確放置雙手。

**警告：**為了減低造成嚴重人身傷害的風險，預期有突然反應時**務必**握緊。

正確的手部位置要求一隻手握住副手柄 **1**，另一隻手握住輔助手柄 **6**。

### 扳機開關 (圖 A)

如需啟動工具，請扣動扳機開關 **3**。如需關閉工具電源，請鬆開扳機開關。您的工具帶有制動機制。一旦觸發開關完全鬆開，卡盤就會停止。

## 變速扳機開關

變速扳機開關能讓您針對特定的應用選定最佳速度。您越用力扣動扳機開關，工具的運轉速度就越快。為最大限度延長工具的使用壽命，僅對起始孔或緊固件使用變速。

**注意：**不建議持續在變速範圍內使用工具。這可能會損壞扳機開關，應注意避免。

## 正向/反向控制按鈕 (圖 F)

正向/反向控制按鈕 **4** 決定了鑽頭轉向，同時也起到鎖止按鈕的作用。

**如需選擇正向轉動**，請鬆開扳機開關 **3** 並按下工具右側的正向/反向控制按鈕。

**如需選擇反向轉動**，請按下工具左側的正向/反向控制按鈕。

**正向/反向控制按鈕的中央位置會將工具鎖定在關閉位置。**在變換控制按鈕的位置時，請確保已鬆開扳機。

**注意：**在更換轉向後首次運行工具時，您會在工具啟動時聽見咔嗒聲。這是正常情況，並非出現問題。

## 工作燈 (圖 A)



**小心：**請勿直視工作燈。可能會導致嚴重眼部受傷。

有一盞工作燈 **7** 位於工具前方。當按下扳機開關，作業燈亮起，而且會在鬆開開關後，繼續亮起幾20秒鐘。如果仍然按住扳機開關，那麼作業燈也會一直亮起。

**注意：**作業燈用於照亮眼前的作業表面，不可將其用作手電。

## 操作模式 (圖 G)



**警告：**請勿在工具仍在運行時選擇操作模式。



**小心：**在旋轉鑽孔或旋轉錘擊模式下，不得在鑽頭固定器中與擊擊鑽頭搭配使用。這可能會造成人員受傷或損壞工具。

您的工具配有一個模式選擇器 **5**，可為需要的操作選擇適當的模式。

符號	模式	應用
	旋轉鑽孔	螺絲安裝 在鋼材、木材和塑料上鑽孔
	轉動錘擊	在混凝土和磚石結構中鑽孔

### 選擇一種運行模式：

- 轉動模式選擇器，讓箭頭指向與理想模式對應的符號。

**注意：**在任何時候，模式選擇器上的箭頭 **5** 都必須指向一種模式符號。兩種模式之間沒有可操作的位置。在將‘僅錘擊’轉換為‘轉動’模式後，有必要讓電機短暫運行，以對齊齒輪。

## 開展一項應用 (圖 A, G)



**警告：**為了降低嚴重人身傷害的風險，務必確保工件被鉗定或牢牢夾緊。如果在纖薄材料上鑽孔，請墊上一個“背襯”木塊，防止損壞材料。



**警告：**務必的轉到電機完全停止後，才能變換轉向。

- 為工具選擇並安裝適當的卡塊、適配器和/或鑽頭。參見鑽頭和鑽頭固定器。

- 在使用模式選擇器 **5** 時，請選擇適合對應應用的模式。參見操作模式。

- 在必要時調整 **1** 側手柄。

- 用正向/反向按鈕選擇轉向 **4**。在變換控制按鈕的位置時，請確保已鬆開扳機。

- 如需選擇正向轉動，請按下工具右側的正向/反向控制按鈕。
- 如需選擇反向轉動，請按下工具左側的正向/反向控制按鈕。

**注意：**正向/反向控制按鈕的中央位置會將工具鎖定在關閉位置。

- 將鑽頭/鑿子置於您想要的位置。

- 扣動扳機開關 **3**。您越用力扣動扳機開關，工具的運轉速度就越快。為最大限度延長工具的使用壽命，僅對起始孔或緊固件使用變速。

- 如需停止錘鑽，請鬆開滑動開關。

## 針對工件操作的建議

- 如果先鑽出一個導向孔 (4 mm到5 mm)，那麼在鋼材上鑽出大孔 (8 mm到13 mm) 就會更容易。
- 在鑽孔時，施壓方向務必與鑽頭呈一條直線，但請勿過分用力致使電機停轉或鑽頭偏移。材料平順移動說明鑽孔速率是合適的。
- 如果在纖薄或易碎材料上鑽孔，請墊上一個“背襯”木塊，防止損壞工件。



**警告：**

- 請勿使用該工具來混合或泵送易燃或易爆的液體 (汽油、酒精等)
- 請勿混合或攪拌標有相應標籤的易燃液體。

## 維護

DeWALT 電動工具採用卓越的設計，能夠長時間使用，並且只需最少的維護。如需持續獲得滿意的操作效果，應進行正確的工具維護和定期的清潔。



**警告：**為了減低造成嚴重人身傷害的風險，在進行任何調整或卸下或安裝附件或配件之前，切記關掉工具的電源並取出電池組。意外啟動工具可能會造成傷害。

充電器和電池組是不可檢修的裝置。



## 潤滑

本電動工具毋需額外潤滑。



## 清潔



**警告：**一旦通風口及其周圍積聚可見的粉塵，請立即使用乾燥的壓縮空氣吹掉主機外殼內的粉塵和灰塵。執行此步驟時，請佩戴經認可的護目裝備和防塵面罩。



**警告：**切勿使用溶劑或其他刺激性化學品來清潔工具的非金屬部件。這些化學品可能會削弱部件中使用的材料。只能使用抹布蘸中性肥皂水進行清潔。不要讓任何液體進入工具；不要讓工具的任何部分浸入液體中。

## 選購配件



**警告：**由於非 DeWALT 所提供的配件未在本產品上進行過使用測試，在本產品上使用這些附件可能發生危險。為降低傷害危險，在本產品上只應使用 DeWALT 所推薦的配件。

如需進一步瞭解適用配件的相關資訊，請洽詢當地代理商。

## 除塵系統(圖 I)

建議使用除塵系統以減少有害健康的粉塵並延長工具和附件的使用壽命。

請向您的經銷商諮詢更多關於合適的除塵系統的資訊。

## 保護環境



分類回收。帶有此標誌的產品和電池必須與一般家庭廢物分開處置。

產品和電池組合可重複使用或回收的材料，可降低對原材料的需求。請根據當地法規回收電氣產品和電池。更多資訊，請造訪 [www.2helpU.com](http://www.2helpU.com)。

## 可充電電池組

本電池組使用壽命長，若無法為以前輕鬆完成的工作提供充足電力，必須更換電池組。在使用壽命結束時，請妥善處置以保護我們的環境：

- 使電池完全放電，然後將它從工具中卸下。
- 鋰離子電池是可回收的。請將它們送往您的代理商或當地的回收站。所收集的電池組將會再循環利用或妥善處置。

*SDS plus®*和*SDS max®* 為 Robert Bosch GmbH 的註冊商標。

## 售後服務和維修

DeWALT 服務中心有經過培訓的專門人員，可向顧客提供高效、可靠的產品服務。如果您在未獲授權的服務中心進行維修，我們將不會承擔任何責任。您可以查看產品包裝上“客服中心位置”宣傳單頁，通過熱綫電話、網站或社交媒體與我們聯繫，找到距離您最近的 DeWALT 服務中心。

**進口商：** 新加坡商百得電動工具(股)公司台灣分公司

**地址：** 台北市士林區德行西路33號2樓

**電話：** 02-28341741

**總經銷商：** 永安實業股份有限公司

**地址：** 地址: 新北市三重區新北大道二段137號

**電話：** 電話: 02-29994633

# 고성능 충전식 로터리 해머드릴

## DCH072

### 축하합니다!

DeWALT 공구를 선택해 주셔서 감사합니다. DeWALT는 오랜 경험을 토대로 한 제품 개발 및 혁신을 통해 전문 사용자들이 가장 인정하는 기업으로 자리잡아왔습니다.

### 기술 데이터

		DCH072	
전압	$V_{DC}$	10.8(12 Max)	
배터리 유형		리튬 이온	
최대 출력	W	400	
무부하 속도	$\text{min}^{-1}$	0-910	
분당 타격수	bpm	4280	
타격세기 (EPTA 05/2009)	J	1.1	
최적의 드릴링 범위	mm	4-10	
최대 직경 콘크리트	mm	14	
공구 출터		SDS plus®	
무게(배터리 팩 제외)	kg	1.7	



**경고:** 제시 된 진동 및 / 또는 소음 방출 수준은 공구의 주요 응용 분야를 나타냅니다. 그러나 공구가 다른 용도, 다른 액세서리와 함께 사용되거나 제대로 관리되지 않으면 진동 및 / 또는 소음 방출이 다를 수 있습니다. 이것은 전체 작업 기간 동안 노출 수준을 크게 증가시킬 수 있습니다.

진동 및 / 또는 소음에 대한 노출 수준을 평가할 때는 공구가 꺼져 있거나 작동 중이지만 실제로는 작업을 수행하지 않는 시간도 고려해야 합니다. 이것은 전체 작업 기간 동안 노출 수준을 현저히 감소시킬 수 있습니다.

다음과 같은 진동 및 / 또는 소음의 영향으로부터 작업자를 보호하기 위한 추가 안전 조치를 식별합니다. 예를 들면: 공구 및 액세서리 유지관리, 손을 따뜻하게 유지(진동 관련), 작업 패턴 구성.



**경고:** 부상 위험을 줄이려면 사용 설명서를 읽으십시오.

### 정의: 안전 지침

다음 정의는 각 경고 문구의 심각도를 설명합니다. 사용 설명서를 읽고 다음 기호들에 유의하십시오.



**위험:** 절박한 위험 상태를 나타내며, 방지하지 않으면, 사망 또는 심각한 부상을 초래합니다.



**경고:** 잠재적 위험 상태를 나타내며, 방지하지 않으면 사망 또는 심각한 부상을 초래할 수 있습니다.



**주의:** 잠재적으로 위험한 상태를 나타내며, 방지하지 않으면 경미하거나 가벼운 부상을 초래할 수 있습니다.

**참고:** 신체 부상을 초래하지 않는 행위를 나타내며 방지하지 않으면 재산상의 손해가 발생할 수 있습니다.



감전 위험을 나타냅니다.



화재 위험을 나타냅니다.

배터리				충전기/충전 시간 (분)								
카탈로그 번호	$V_{DC}$	Ah	중량(kg)	DCB104	DCB107	DCB110	DCB112	DCB113	DCB115	DCB116	DCB132	DCB119
DCB122	10.8(12 Max)	2.0	0.22	30	90	90	60	50	30	30	30	60
DCB124/G	10.8(12 Max)	3.0	0.25	45	140	140	90	70	45	45	45	90
DCB125	10.8(12 Max)	1.3	0.20	22	60	60	40	30	22	22	22	40
DCB126/G	10.8(12 Max)	5.0	0.44	75	240	240	150	120	75	75	75	150
DCB127	10.8(12 Max)	2.0	0.22	30	90	90	60	50	30	30	30	60



## 전동 공구에 관한 일반 안전 경고



**경고:** 이 전동 공구와 함께 제공되는 모든 안전 경고와 지시사항, 설명 및 사양을 읽으십시오. 아래 설명한 모든 지시 사항을 따르지 않으면 감전, 화재 및/또는 심각한 부상을 초래할 수 있습니다.

**항후 참고할 수 있도록 모든 경고 및 지시 사항을 보관해두십시오.**

경고에서 사용된 "전동 공구"라는 용어는 주 공급 전원에 의해 전기가 공급되는(유선) 전동 공구 또는 충전식(무선) 전동 공구를 의미합니다.

### 1) 작업장 안전

- 작업장을 항상 청결하고 밝게 유지하십시오. 혼잡하거나 어두운 작업장에서는 사고가 발생하기 쉽습니다.
- 가연성 액체, 가스 또는 먼지 등이 있는 폭발성 대기에서 전동 공구를 사용하지 마십시오. 전동 공구에서 먼지나 가스를 발사시킬 수 있는 불꽃이 될 수 있습니다.
- 전동 공구로 작업하는 동안에는 어린이와 주변 사람들이 작업 영역에 가까이 들어오지 못하도록 하십시오. 주변이 산만해져 통제력을 잃을 수 있습니다.

### 2) 전기 안전

- 동공구의 플러그는 콘센트와 형식이 일치해야 하며, 플러그를 어떤 형태로든 개조하지 마십시오. 또한 접지된 전동공구에 다른 어댑터 플러그를 사용하지 마십시오. 개조되지 않은 플러그 및 형식이 일치하는 콘센트를 사용하면 감전 위험이 줄어듭니다.
- 파이프 관, 라디에이터, 렌지, 냉장고 등의 접지 표면에 물이 닿지 않도록 하십시오. 몸에 닿을 경우 감전이 될 위험이 높아집니다.
- 전동 공구를 비 또는 습한 환경에 노출하지 않도록 주의하십시오. 전동 공구에 물이 들어가면 감전 위험이 높아집니다.
- 코드를 함부로 다루지 마십시오. 코드를 사용하여 전동공구를 운반하거나, 코드를 과도하게 잡아당겨서 플러그를 뽑지 않도록 주의하십시오. 전열코드가 열기 또는 오일과 접촉되는 것을 피하고, 날카로운 모서리 또는 기기의 기둥 부위에 닿지 않도록 주의 하십시오. 코드가 손상되거나 얽혀 있으면 감전 위험이 높아집니다.
- 전동 공구를 실외에서 사용할 때는 실외 사용에 적합한 연장 코드를 사용하십시오. 실외 사용에 적합한 코드를 사용하면 감전 위험이 줄어듭니다.
- 전동공구를 습한 공간에서 사용할 경우, 반드시 누전 차단기를 사용하십시오. 누전 차단기(RCD)를 사용하면 감전의 위험이 줄어듭니다. RCD를 사용하면 감전 위험이 줄어듭니다.

### 3) 신체 안전 사항

- 전동 공구로 작업할 때는 방심하지 말고 작업에 주의하면서 상식에 따르십시오. 피곤한 상태이거나 약물, 술, 치료제를 복용한 상태에서는 전동 공구를 사용하지 마십시오. 전동 공구를 사용하다 잠깐만 한 눈을 팔아도 심각한 부상을 당할 수 있습니다.
- 신체 보호 장비를 착용하십시오. 항상 보안경을 착용하십시오. 적합한 상황에서 방진 마스크, 미끄럼 방지 안전화, 안전모 또는 청력 보호 기구 등의 보호 장비를 사용하면 신체 부상 위험이 줄어듭니다.
- 의도하지 않은 장비 가동 방지. 전원 및/또는 배터리 팩에 연결한 상태로 공구를 선택 또는 운반할 때는 사전에

스위치가 꺼짐 위치에 있는지 반드시 확인하십시오. 스위치가 켜짐 위치에 있는 상태에서 스위치에 손가락이 닿은 상태로 전동 공구를 운반하거나 전동 공구에 전원을 공급하면 사고가 발생합니다.

- 전동 공구를 켜기 전에 모든 조정 키 또는 렌치를 제거하십시오. 전동 공구의 회전 부품에 렌치나 키가 부착되어 있으면 부상을 당할 수 있습니다.
- 무리하게 팔을 뻗지 마십시오. 항상 올바른 자세로 서서 균형을 유지하십시오. 안정된 자세로 작업을 할 경우 전동 공구를 안전하게 사용할 수 있습니다.
- 절한 의복을 착용하십시오. 헐렁한 옷이나 장신구를 착용하지 마십시오. 머리카락과 옷이 움직이는 부품에 닿지 않도록 유의하십시오. 헐렁한 옷, 장신구 또는 긴 머리카락이 움직이는 부품에 걸 수 있습니다.
- 먼지 배출 및 집진 시설 연결을 위한 장치가 제공된 경우, 이를 장치가 연결되어 적절히 사용되고 있는지 반드시 확인하십시오. 집진 장치를 사용하면 먼지와 관련된 위험을 줄일 수 있습니다.
- 장치를 자주 사용함으로써 생긴 익숙함으로 인해 현실에 अनु주하거나 공구 안전 원칙을 무시하지 않도록 하십시오. 부주의한 작동은 순식간에 심각한 부상을 야기할 수 있습니다.

### 4) 전동 공구 사용 및 관리

- 전동 공구에 무리한 힘을 가하지 마십시오. 해당 용도에 맞는 올바른 전동 공구를 사용하십시오. 올바른 전동 공구를 사용해야 실제 속도로 작업을 더욱 안전하고 정확하게 수행할 수 있습니다.
- 커지지 않거나 꺼지지 않는 경우 전동 공구를 사용하지 마십시오. 스위치로 제어되지 않는 전동 공구는 위험하므로 수리해야 합니다.
- 전동 공구를 조정하거나 액세서리를 변경하거나 보관하기 전에 전동 공구에서 분리되는 경우 전원에서 플러그를 뽑거나 또는 배터리 팩을 분리하십시오. 이러한 예방적 안전 조치를 따라야 전동 공구가 갑자기 작동할 위험이 줄어듭니다.
- 사용하지 않는 전동 공구는 어린이의 손이 닿지 않는 곳에 보관하고, 전동 공구나 본 지시 사항에 익숙하지 않은 사람이 전동 공구를 절대 사용하지 못하게 하십시오. 전동 공구는 훈련을 받지 않은 사용자가 다루면 위험합니다.
- 전동 공구 및 액세서리 유지 보수. 움직이는 부품의 잘못된 정렬이나 바인딩, 부품 파손 및 기타 전동 공구의 작동에 영향을 미칠 수 있는 기타 모든 상태를 확인하십시오. 손상된 부분이 있는 경우 사용하기 전에 전동 공구를 수리하십시오. 많은 사고는 전동 공구를 제대로 유지 보수하지 않아 발생합니다.
- 공구를 깨끗한 상태로 유지하십시오. 깨끗 가장자리를 예리하게 잘 유지하면 절삭기를 사용할 때 바인딩이 적고 다루기가 용이합니다.
- 작업 환경과 수행할 작업을 고려하여, 본 지시 사항에 따라 전동 공구, 액세서리 및 톨 비트 등을 사용하십시오. 본 사용자 설명서의 내용과 다른 용도로 전동 공구를 사용하면 위험한 상황이 발생할 수 있습니다.
- 핸들과 잡는 표면은 건조하고 깨끗한 상태를 유지하고 오일/기름이 묻지 않도록 하십시오. 미끄러운 핸들과 잡는 면은 예기치 못한 상황에서 안전한 취급과 공구 관리를 보장하지 않습니다.

5) 배터리 공구 사용 및 주의 사항

- a) 다시 충전할 때는 제조업체에서 지정한 충전기만 사용하십시오. 하나의 배터리 팩 유형에 적합한 충전기를 다른 배터리 팩과 함께 사용할 경우 화재의 위험이 있습니다.
- b) 전동 공구를 사용할 때는 구체적으로 지정되어 있는 배터리 팩만 사용하십시오. 다른 배터리 팩을 사용하면 부상을 입거나 화재의 위험이 있습니다.
- c) 배터리를 사용하지 않을 때에는 클림, 동전, 키, 못, 나사 등의 금속 물체나, 단자 간에 연결할 수 있는 작은 금속 물체가 닿지 않도록 멀리 두십시오. 배터리 단자가 단락되면 화상을 입거나 화재의 위험이 있습니다.
- d) 배터리를 과다 사용하면 액체가 배터리에서 흘러 나올 수 있으므로, 접촉을 피하십시오. 실수로 접촉한 경우에는 물로 씻으십시오. 액체가 눈에 들어간 경우 치료를 받으십시오. 배터리에서 나온 액체는 통증을 유발하거나 화상을 입힐 수 있습니다.
- e) 손상되거나 변경된 배터리 팩 또는 공구를 사용하지 마십시오. 손상되거나 개조된 배터리는 예측할 수 없는 작용을 보여, 화재, 폭발 또는 부상 위험을 야기할 수 있습니다.
- f) 배터리 팩 또는 공구를 불이나 과도한 온도에 노출하지 마십시오. 불 또는 130°C 이상의 온도에 노출되면 폭발할 수 있습니다.
- g) 모든 충전 지침을 따르고 배터리 팩 또는 공구를 설명서에 지정된 범위 밖의 온도에서 충전하지 마십시오. 적절하지 않게 충전하거나 지정된 범위 밖의 온도에서 충전하면 배터리가 손상되어 화재 위험이 증가될 수 있습니다.

6) 정비

- a) 자격을 갖춘 기술자가 동일 교체 부품을 사용하여 정비 작업을 수행해야 합니다. 그래야 전동 공구의 안전이 보장됩니다.
- b) 손상된 배터리 팩을 정비하지 마십시오. 배터리 팩은 제조업체 또는 공인 서비스 공급업체를 통해서만 점검을 받아야 합니다.

로터리 해머에 대한 추가 안전 지침

- 귀마개를 착용하십시오. 소음에 노출되면 청력이 손상될 수 있습니다.
- 공구와 함께 제공된 경우 보조 핸들을 사용하십시오. 통제력을 상실하면 부상을 입을 수 있습니다.
- 절단 액세서리가 숨겨진 배선과 접촉할 수 있는 작업을 수행할 때는 절연 그립 표면으로 전동 공구를 잡으십시오. \*전기가 통하는 전선과 접촉하는 절단 부속품은 전동 공구의 노출 된 금속 부품을 "통전"하여 작업자가 감전될 수 있습니다.
- 전기 또는 가스 회선이 해당 위치에 있는지를 유틸리티 회사와 확인되었는지 확인하십시오.
- 클램프 또는 기타 실용적인 방법을 사용하여 공작물을 안정된 플랫폼에 고정하고 지지하십시오. 공작물을 손이나 몸에 대는 것은 불안정하고 통제력을 상실할 수 있습니다.
- 고글 또는 기타 보안경을 착용하십시오. 해머링 작업으로 인해 칩이 날아갑니다. 날아다니는 입자는 눈에 영구적 인 손상을 줄 수 있습니다. 먼지를 발생시키는 응용 분야에는 방진 마스크 또는 방독면을 착용하십시오. 대부분의 경우 귀 보호 조치가 필요할 수 있습니다.

- 항상 공구를 단단히 잡으십시오. 이 공구를 양손으로 잡지 않고 작동하지 마십시오. 항상 보조 손잡이를 사용하는 것이 좋습니다. 이 공구를 한 손으로 조작하면 제어력을 잃게 됩니다. 철근과 같은 단단한 재료를 뚫거나 취급하는 것도 위험할 수 있습니다. 사용하기 전에 보조 손잡이를 단단히 조이십시오.
- 이 공구를 장시간 사용하지 마십시오. 해머 동작으로 인한 진동은 손과 팔에 해로울 수 있습니다. 장갑을 사용하여 여분의 쿠션을 제공하고 자주 휴식을 취하여 노출을 제한하십시오.
- 조각을 직접 수리하지 마십시오. 끌 수리는 공인 전문가가 수행해야 합니다. 부적절하게 수리 된 끌은 부상을 일으킬 수 있습니다.
- 공구를 작동하거나 조각을 교체할 때 장갑을 착용하십시오. 공구 및 조각의 접근 가능한 금속 부품은 작동 중에 매우 뜨거워질 수 있습니다. 작은 비트의 깨진 재료는 맨손을 손상시킬 수 있습니다.
- 비트가 완전히 멈출 때까지 공구를 놓지 마십시오. 움직이는 비트는 부상을 입을 수 있습니다.
- 걸린 비트를 망치로 쳐서 제거하지 마십시오. 금속 조각이나 재료 조각이 떨어져 나와 부상을 입을 수 있습니다.
- 약간 마모 된 끌은 연마하여 다시 연마할 수 있습니다.
- 날을 연마하는 동안 비트를 과열(변색)하지 않도록 하십시오. 심하게 마모 된 끌은 재 포장해야 합니다. 끌을 다시 균화거나 템퍼링하지 마십시오.

잔류 위험

- 로터리 해머 사용에는 다음과 같은 위험이 내재되어 있습니다.
- 공구의 회전 부분이나 뜨거운 부분을 만지면 부상을 입을 수 있습니다.
- 관련된 안전 규정을 준수하고 안전 지침을 사용한다고 해도 특정한 위험은 피할 수 없습니다. 이러한 위험은 다음과 같습니다.
- 청각 장애.
  - 액세서리를 교체할 때 손가락이 눌릴 위험이 있습니다.
  - 나무 절단 작업을 수행할 때 발생하는 먼지 흡입으로 인한 건강 위험.
  - 파편 날림으로 인한 신체 부상 위험.
  - 작동 중 액세서리가 뜨거워져 화상을 입을 수 있습니다.
  - 장기간 사용으로 인한 부상 위험.

충전기

DeWALT 충전기는 어떠한 조절 작업도 필요 없으며 최대한 작동하기 쉽게 설계되었습니다.

전기 안전

- 전기 모터는 한 가지 전압에만 맞추어 설계되었습니다. 배터리 팩 전압이 명판에 기재된 전압과 일치하는지 항상 확인하십시오. 또한 충전기의 전압이 주전원의 전압과도 일치하는지 확인하십시오.



DeWALT 충전기는 IEC60335 에 따라 이중 절연되어 있습니다. 따라서 접지선이 필요하지 않습니다.

전원 코드가 손상된 경우 DeWALT 또는 공인 서비스 기관 만 교체해야 합니다.

연장 케이블 이용

연장 코드는 가급적 사용하지 마십시오. 사용 중인 전원공급기 정격전원에 맞는 승인된 연장 코드를 사용하십시오 (**기술 데이터** 참조). 최소 도체 크기는 1mm\*, 최대 길이는 30m입니다.

케이블 릴을 사용할 때는 항상 케이블을 완전히 푸십시오.

## 모든 배터리 충전기에 대한 중요한 안전 지침

**본 지침을 잘 보관해 두십시오.** 본 사용 설명서에는 호환이 되는 배터리 충전기에 대한 중요한 안전 및 작업 지침이 포함되어 있습니다 (**기술 데이터** 참조).

- 충전기를 사용하기 전에 충전기, 배터리 팩, 그리고 배터리 팩 관련 제품에 대한 지침과 주의 표시를 숙지하십시오



**경고:** 감전 위험. 충전기 내부에 액체가 들어가지 않도록 취급하십시오. 감전될 수 있습니다.



**경고:** 정격 전류 전류가 30mA 미만인 누전 차단기를 사용하는 것이 좋습니다.



**주의:** 화재 위험. 신체 부상의 위험을 줄이려면 DeWALT 충전용 배터리로만 충전하십시오. 다른 유형의 배터리는 폭발로 인한 신체 부상과 손상을 초래할 수 있습니다.



**주의:** 어린이가 본 제품을 가지고 놀지 못하도록 항상 주의해야 합니다.

**참고:** 특정 조건에서, 충전기가 전원 공급기에 연결되어 있으면 충전기 내부에 노출된 충전 접점이 이물질에 의해 단락될 수 있습니다. 철부스러기, 알루미늄 호일, 금속 입자 축적물 등의 전도성 이물질은 충전기 캐비티에 닿지 않게 해야 합니다. 캐비티 안에 배터리 팩이 없을 경우 항상 배터리 전원 공급기에서 충전기의 플러그를 뽑으십시오. 충전기를 청소할 때는 플러그를 뽑아야 합니다.

- 본 사용 설명서에 명시된 충전기 외의 다른 충전기로 배터리 팩을 충전하지 마십시오. 본 충전기와 배터리 팩은 함께 사용하도록 특수 설계되었습니다.
- 이러한 충전기는 DeWALT 충전용 배터리 충전 이외의 용도로는 사용할 수 없습니다. 다른 용도로 사용하면 화재, 감전 또는 감전사고의 위험이 있습니다.
- 충전기가 비나 눈을 맞지 않도록 하십시오.
- 충전기를 분리할 경우 코드가 아니라 플러그를 뽑으십시오. 그래야만 전기 플러그 및 코드 손상의 위험이 줄어듭니다.
- 코드가 밟히거나 걸리거나 기타 원인에 의해 손상되거나 압박을 받지 않도록 유의하십시오.
- 불가피한 경우가 아니면 연장 코드를 사용하지 마십시오. 연장 코드를 잘못 사용하면 화재, 감전 또는 감전사의 위험이 있습니다.
- 충전기 위에 물건을 올려놓거나 부드러운 표면에 충전기를 두면 환기 슬롯이 막혀 내부가 과열될 수 있습니다. 충전기는 열원에 가까이 두지 마십시오. 충전기는 하우징의 상단과 하단에 있는 슬롯을 통해 환기됩니다.
- 코드나 플러그가 손상된 충전기를 작동시키지 마십시오 — 즉시 교체하십시오.
- 심한 충격을 받았거나 떨어뜨렸거나 어떠한 식으로든 손상된 경우에는 충전기를 작동시키지 마십시오. 공인 서비스 센터로 가져가십시오.
- 충전기를 분해하지 마십시오. 서비스나 수리가 필요한 경우에는 공인 서비스 센터로 가져가십시오. 잘못 재조립하면 감전, 감전사 또는 화재의 위험이 있습니다.
- 전원 코드가 손상된 경우 사고 방지를 위해 제조업체, 서비스 대리점 또는 이에 준하는 유자격 수리 기술자를 통해 즉시 교체하십시오.

- 청소하려면 먼저 충전기를 콘센트에서 분리하십시오. 그해야 감전 위험이 줄어듭니다. 배터리 팩을 제거하는 것만으로 이러한 위험이 줄어들지는 않습니다. **절대로** 충전기 두 개를 함께 연결하지 마십시오.
- 충전기는 가정용 표준 전력 220-240V 으로 작동하도록 설계되어 있습니다. 다른 전압에서는 사용하지 마십시오. 차량용 충전기는 제외됩니다.

## 배터리 충전 (그림 B)

- 배터리 팩을 끼우기 전에 충전기를 적절한 콘센트에 꽂습니다.
- 충전기에 배터리 팩 **8** 을 끼우고 배터리 팩이 완벽히 장착되었는지 확인하십시오. 빨간색(충전 중) 표시등이 반복해서 깜박이면서 충전 프로세스가 시작되었음을 알립니다.
- 충전이 완료되면 빨간색 불이 계속 켜져 있습니다. 배터리 팩이 완전히 충전되면 바로 사용하거나 충전기에 그대로 둡니다. 배터리 팩을 충전기에서 분리하려면, 배터리 팩에 있는 배터리 탈착 버튼 **9** 을 누릅니다.

**참고:** 리튬 이온 배터리 팩의 성능과 수명을 극대화하려면 처음 사용하기 전에 배터리 팩을 완전히 충전하십시오.

## 충전기 작동

배터리 팩의 충전 상태는 아래 표시등을 참조하십시오.

충전 표시등	
	충전 중
	완전 충전됨
	냉/온 팩 지연*

\*빨간색 표시등이 계속 깜박거리지만, 노란색 표시등은 이 작동동안 계속 켜져 있습니다. 배터리 팩이 적정 온도에 도달하면, 노란색 표시등이 꺼지고 충전기에서 충전 절차를 다시 시작합니다.

이 호환 충전기는 결합이 있는 배터리 팩은 충전하지 못합니다. 등이 켜지지 않도록 하여 배터리에 결합이 있음을 표시합니다.

**참고:** 이는 충전기 고장을 의미할 수도 있습니다.

충전기에 문제가 표시되는 경우 충전기와 배터리 팩을 공인 서비스 센터로 가져 가서 테스트를 받아 보십시오.

## 냉/온 팩 지연

충전기에서 너무 뜨겁거나 차가운 배터리 팩이 감지되면, 냉/온 팩 지연이 자동으로 시작되어 배터리 팩이 적절한 온도가 될 때까지 충전이 중단됩니다. 이 과정이 끝나면 충전기가 자동으로 팩 충전 모드로 전환됩니다. 이 기능은 배터리 팩 수명을 최대한으로 보장하기 위한 것입니다.

차가운 배터리 팩은 따뜻한 배터리 팩보다 더 느린 속도로 충전됩니다. 충전 사이클 전체에 걸쳐 배터리 팩은 이렇게 느린 속도로 충전되며 배터리 팩이 따뜻해지더라도 최대 충전 속도로 복원되지 않습니다.

## 전자 보호 시스템

XR 리튬이온 배터리 팩은 배터리에 과부하가 걸리거나 과열 또는 완전 방전되는 것을 방지하는 전자 보호 시스템으로 설계되었습니다.

이 공구는 전자 보호 시스템이 작동하면 자동으로 꺼집니다. 이러한 경우 리튬 이온 배터리가 완전히 충전될 때까지 충전기에 리튬 이온 배터리 팩을 넣으십시오.

## 벽 장착

이들 충전기는 테이블 또는 작업 표면에 똑바로 세우거나 벽에 장착할 수 있도록 설계되었습니다. 벽에 장착하는 경우, 충전기는

전기 콘센트에 닿을 수 있는 범위 내에 놓고, 공기 흐름이 방해될 수 있는 코너 또는 기타 장애물로부터 멀리 두십시오. 벽에서 장작 나사의 위치는 견본으로 충전기의 뒤쪽을 사용하십시오. 나사 머리 직경이 7-9 mm인 최소 25.4 mm 길이의 석고보드 나사(별도 구매)를 사용해서 충전기를 단단히 장착하고, 노출된 나사의 약 5.5 mm를 남겨 두고 최적의 길이로 목재에 고정합니다. 충전기 뒤쪽의 구멍을 노출되어 있는 나사에 맞추고 구멍에 완전히 맞물리도록 하십시오.

충전기 청소 지침

**경고: 감전 위험. 청소하려면 먼저 충전기를 AC 콘센트에서 분리하십시오.** 형광이나 부드러운 비금속성 브러시로 충전기 외관 부분에 묻은 먼지 및 기름을 제거할 수 있습니다. 물이나 세척제를 사용하지 마십시오. 공구 내부에 액체를 넣거나 공구 부품을 액체에 담그는 행동은 절대 금물입니다.

배터리 팩

모든 배터리 팩에 대한 중요한 안전 지침

배터리 팩을 교체하기 위해 주문할 때는 카탈로그 번호와 전압을 반드시 확인하고 표기해야 합니다.

배터리 팩은 포장박스에서 꺼낼 때 완전히 충전된 상태가 아닙니다. 배터리 팩과 충전기를 사용하기 전에 아래 안전 지침을 숙독하십시오. 그런 다음 설명된 충전 절차를 따르십시오.

모든 지시 사항을 읽으십시오

- 가연성 액체, 가스 또는 먼지 등 폭발 위험이 있는 환경에서 배터리를 충전하거나 사용하지 마십시오. 배터리를 끼우거나 충전기에서 분리할 때 먼지나 가스에 불이 붙을 수 있습니다.
- 충전기에 배터리 팩을 끼울 때 과도한 힘을 주지 마십시오. 어떤 형태든 호환되지 않는 충전기에 사용하기 위해 배터리 팩을 개조하지 마십시오. 배터리 팩이 파열되어 심각한 부상을 유발할 수 있습니다.
- DeWALT 충전기에서만 배터리 팩을 충전하십시오.
- 물이나 기타 액체가 튀어 묻거나 액체에 빠지지 않도록 하십시오.
- 온도가 4 °C (39.2 °F) 이하로 떨어지거나 (겨울의 금속 외벽 또는 금속 건물과 같은) 장소에서 공구와 배터리 팩을 보관하거나 사용하지 마십시오. 40 °C (104 °F) (여름철 허름한 창고 또는 금속 건물 등).
- 배터리 팩이 심하게 손상되거나 완전히 낡았더라도 절대 소각하지 마십시오. 배터리 팩은 불속에서 폭발할 수 있습니다. 리튬이온 배터리 팩은 연소되면서 독성 연기와 물질을 발생시킵니다.
- 배터리 내용물이 피부에 닿으면 즉시 중성 세척제로 해당 부위를 씻으십시오. 배터리액이 눈에 들어갔을 경우, 15분 정도 또는 통증이 가실 때까지 눈을 뜨고 물로 씻어냅니다. 치료가 필요한 경우를 위해, 배터리 전해질은 액체 유기 탄산염과 리튬염의 혼합물로 구성되어 있음을 알아 두십시오.
- 열린 배터리 셀의 내용물은 호흡기 질환을 일으킬 수 있습니다. 신선한 공기를 마시십시오. 증상이 계속되면 치료를 받으십시오.

**경고: 화상 위험.** 배터리액은 불꽃이나 화염에 노출되면 연소될 수 있습니다.

**경고:** 어떤 이유로든 배터리 팩을 절대 분해하지 마십시오. 배터리 팩 케이스가 깨지거나 손상되면 충전기에 넣지 마십시오. 배터리 팩을 문개거나 떨어뜨리거나 손상시키지 마십시오. 강한 충격을 받았거나, 떨어뜨렸거나, 차에 치였거나 기타의 원인으로 어떤 방식으로든 손상된 (못이 박히거나 망치로 맞았거나 밟힘) 배터리 팩이나 충전기는

사용하지 마십시오. 감전 또는 감전사의 위험이 있습니다. 손상된 배터리 팩은 재활용을 위해 서비스 센터에 반환해야 합니다.

**경고: 화재 위험. 배터리 팩을 보관하거나 휴대할 때는 노출된 배터리 단자에 금속 물체가 닿지 않도록 하십시오.**

예를 들어, 못, 나사, 키 등이 있는 앞치마, 주머니, 도구상자, 제품 키트 상자, 서랍 등에 배터리 팩을 두지 마십시오.

**경고: 사용하지 않는 공구는 걸려 넘어지거나 떨어질 위험이 있는 안정된 표면에 놓여 두십시오.** 배터리 팩이 큰 일부 공구들은 배터리 팩 위에 바로 서 있지만 쉽게 넘어질 수 있습니다

운반

**경고: 화재 위험.** 배터리를 운반할 때 배터리 단자가 실수로 전도성 물질과 닿을 경우 화재 위험의 가능성이 있습니다. 배터리를 운반할 경우에는 배터리 단자가 보호되어 있고, 물체에 닿을 경우 단락을 일으킬 수 있는 물체로부터 제대로 절연되어 있는지 확인하십시오.

**참고:** 리튬이온 배터리는 검사된 수화물에 넣어야 합니다.

DeWALT 배터리는 UN의 위험물 운송에 관한 권고(Recommendations on the Transport of Dangerous Goods, RTDG), 국제 항공 운송 협회(IATA)의 위험물 규정, 국제해상위험물(International Maritime Dangerous Goods, IMDG) 규정 및 국제도로위험물품운송에 관한 유럽조약 (European Agreement Concerning The International Carriage of Dangerous Goods by Road (ADR))을 포함하여 산업 표준 및 법적 기준에 따라 해당되는 모든 운송 규정을 준수합니다. 리튬 이온 전지 및 배터리는 위험 회물 테스트 및 기준 설명서에 대한 UN 권고 38.3항에 따라 테스트되었습니다.

대개의 경우에, DeWALT 배터리 팩 해상 운송은 완전 규제를 받는 Class 9 위험 물질로 분류되는 것에서 제외됩니다. 일반적으로, 에너지효율 등급이 100 와트시 (Wh) 보다 큰 리튬 이온 배터리를 포함하는 수송품만 완전 규제를 받는 Class 9에 따라 운송되어야 합니다. 모든 리튬 이온 배터리에는 팩에 와트시 등급이 표시되어 있습니다. 뿐만 아니라, 규정의 복잡성으로 인해 DeWALT는 와트 시 등급에 상관 없이 리튬 이온 배터리 팩을 단독으로 항공 운송하는 것을 권장하지 않습니다. 배터리 팩의 와트시 등급이 100 Whr 보다 크지 않을 경우는 제외되므로 배터리(공부 키트)가 포함된 공구의 수송품은 항공 운송할 수 있습니다.

수송품이 예외로 고려되든지 또는 완전 규제를 받든지 여부와 상관 없이, 포장, 라벨링/표시 및 문서 요건에 관한 최신 규정을 찾아보는 것은 운송 회사의 책임입니다.

설명서의 본 섹션에서 제공하는 정보는 옳다고 믿고 제공되며 문서가 작성되었던 시기에는 정확한 것으로 간주됩니다. 단, 보증은 명시적이거나 함축적으로 제공되지 않습니다. 활동 시 해당 규정을 준수하는 것은 구매자의 책임입니다

모든 권장 사항

- 보관 장소로는 직사광선을 받지 않고 지나치게 덥거나 춥지 않은 시원하고 건조한 곳이 가장 좋습니다. 최적의 배터리 성능과 수명을 위해, 사용하지 않을 때에는 배터리 팩을 실온에서 보관하십시오.
- 장기간 보관하는 경우, 최적의 결과를 위해 완전히 충전된 배터리 팩을 충전기에서 분리하여 서늘하고, 건조한 장소에 보관하는 것이 좋습니다.

**참고:** 배터리 팩은 완전히 방전된 상태로 보관해서는 안됩니다. 사용 전에 배터리 팩을 재충전해야 합니다.

## 충전기 및 배터리 팩에 부착된 라벨

본 설명서에 사용된 그림 외에도 충전기 및 배터리 팩에 부착된 라벨에는 다음과 같은 그림이 표시되어 있습니다.



사용 전에 사용 설명서의 내용을 숙지하십시오.



충전 시간은 **기술 데이터를** 참조하십시오.



전도성 있는 물체로 시험하지 마십시오.



손상된 배터리 팩을 충전하지 마십시오.



물에 닿지 않도록 하십시오.



손상된 코드는 즉시 교체하십시오.



4 °C ~ 40 °C 사이에서만 충전하십시오.



실내 전용.



환경 보호 차원에서 배터리 팩을 폐기하십시오.



지정된 DeWALT 충전기뿐만 아니라 DeWALT 배터리 팩을 충전하십시오. DeWALT 충전기에 지정된 DeWALT 배터리 이외의 배터리 팩을 충전하면 폭발하여 다른 위험한 상황으로 이어질 수 있습니다.



배터리 팩을 소각하지 마십시오.

## 배터리 유형

다음 공구는 12V 배터리 팩에서 작동합니다. DCH072

이러한 배터리 팩은 다음을 사용할 수 있습니다. DCB122, DCB124, DCB124G, DCB125, DCB126G, DCB127. 자세한 정보는 **기술 데이터를** 참조하십시오.

## 포장 내용물

포장에는 다음 내용물이 들어 있습니다.

- 1 해머드릴 본체
- 1 보조 핸들 및 깊이게이지
- 1 배터리 충전기
- 1 리튬 이온 배터리 팩 (C1, D1, G1, L1, M1, P1, S1, T1, X1, Y1 모델)
- 2 리튬 이온 배터리 팩 (C2, D2, G2, L2, M2, P2, S2, T2, X2, Y2 모델)
- 3 리튬 이온 배터리 팩 (C3, D3, G3, L3, M3, P3, S3, T3, X3, Y3 모델)
- 1 키트 상자 (XE 모델에는 포함되지 않음)
- 1 사용 설명서

**참고:** 배터리 팩, 충전기 및 키트 박스는 N 모델에 포함되어 있지 않습니다. 배터리 팩과 충전기는 NT 모델에 포함되어 있지 않습니다. B 모델에는 Bluetooth® 배터리 팩이 포함됩니다.

**참고:** Bluetooth® 워드 마크 및 로고는 Bluetooth®, SIG, Inc. 소유의 등록 상표이며 DeWALT의 이러한 마크 사용은 라이선스하에 있습니다. 기타 상표 및 상호는 해당 소유자의 자산입니다.

- 운반 중에 발생할 수 있는 공구, 부품 또는 액세서리의 손상 여부를 확인하십시오.
- 작동 전에 시간을 내어 본 사용 설명서를 읽고 숙지하십시오.

## 공구에 표시된 마크

공구에는 다음과 같은 그림이 있습니다.



사용 전에 사용 설명서의 내용을 숙지하십시오.



귀 보호 장구를 착용하십시오.



보안경을 착용하십시오.



가시 광선, 빛을 응시하지 마십시오.

## 날짜 코드 위치 (그림 B)

날짜 코드에는 6 제조년도가 포함되어 이 제조년도는 케이스에 인쇄되어 있습니다.

예:

2021 XX XX

제조 연도 및 주

## 설명 (그림 A)



**경고:** 전동 공구 또는 전동 공구의 어떤 부품도 절대 개조하지 마십시오. 제품이 파손되거나 신체 부상을 당할 수도 있습니다.

- 1 보조 핸들 핸들
- 2 깊이게이지
- 3 트리거 스위치
- 4 전진 / 후진 제어 버튼 (잠금 버튼)
- 5 모드 선택기
- 6 메인 핸들
- 7 LED 라이트
- 8 배터리 팩
- 9 배터리 해제 버튼
- 10 벨트클립

## 용도

이 로터리 해머드릴은 전문 콘크리트, 목재 및 금속 드릴링 작업을 위해 설계되었습니다.

절대로 습한 환경이나 가연성 액체 또는 가스가 있는 곳에서 사용하지 **마십시오**.

이 헤비 듀티 무선 로터리 해머는 전문가용 전동 공구입니다. 어린이가 이 공구를 만지지 **않도록 하십시오**. 경험이 없는 작업자가 이 공구를 사용할 때는 감독자의 지도가 필요합니다.



- **어린이 및 노약자.** 본 제품은 어린이나 노약자가 사용하도록 설계되지 않았습니다. 이러한 사람이 사용할 때는 감독이 필요합니다.
- 본 제품은 안전 책임을 맡고 있는 사람이 감독을 하고 있지 않는 한 경험, 지식 또는 기술이 부족하고 신체적, 감각적 또는 정신적 능력이 미약한 사람(어린이 포함)이 사용하도록 고안된 것이 아닙니다. 이 제품과 함께 어린이만 혼자 두어서는 안됩니다.

### 조립 및 조정

**경고: 심각한 신체 부상의 위험을 줄이려면 공구를 정하거나 부착물 또는 액세서리를 제거/설치하기 전에 공구를 끄고 배터리 팩을 분리하십시오.** 공구가 갑자기 작동하여 부상을 당할 수 있습니다.

**경고: DEWALT 배 터리 팩과 충전기만 사용하십시오.**

### 배터리 팩 삽입 및 공구에서 배터리 팩 분리 (그림 B)

**참고:** 배터리 팩 8 이 완전히 충전되었는지 확인하십시오.

#### 배터리 팩을 공구 핸들에 설치하려면

1. 공구 핸들 안쪽의 레일에 배터리 팩 8 을 맞춥니다 (그림 B).
2. 공구에 배터리 팩이 견고하게 장착될 때까지 핸들에 밀어 넣고 딸깍하고 잠기는 소리가 들리는지 확인하십시오.

#### 공구에서 배터리 팩을 분리하려면

1. 탈착 버튼 9 을 누르고 배터리 팩을 공구 핸들에서 완전히 빼냅니다.
2. 본 사용 설명서의 충전기 섹션에 설명된 대로 배터리 팩을 충전기에 삽입합니다.

### 진량표시계 배터리 팩 (그림 B)

일부 DEWALT 배터리 팩에는 배터리 팩의 남아 있는 충전 레벨을 표시하는 세 개의 녹색 LED 등으로 구성된 연료계가 포함되어 있습니다.

진량표시계를 작동시키려면, 진량표시계 버튼 12 을 누릅니다. 녹색 LED 표시등 3 개가 조합되어 커짐으로써 충전 진량 수준을 나타냅니다. 배터리 진량이 사용 가능한 한계치 미만이면 배터리 진량 표시계가 켜지지 않으므로 배터리를 재충전해야 합니다.

**참고:** 진량표시계는 배터리 팩에 남아 있는 충전 레벨을 나타내는 것일 뿐입니다. 공구의 기능성을 나타내는 것이 아니며 제품 구성품, 온도 및 최종 사용자의 용도에 따라 변경될 수 있습니다.

### 전기 과부하 보호

드릴 비트가 걸리면 전자식 과부하 보호 기능이 활성화되어 드릴 스펀들에 대한 전원이 차단됩니다. 구동 스펀들의 전원을 다시 활성화하려면 공구의 트리거를 놓은 다음 눌러야 합니다. 그 결과로 발생하는 힘 때문에 항상 두 손으로 공구를 잡고 확고한 자세를 취하십시오.

### 보조 핸들 및 깊이게이지 (그림 A, C)

**경고: 부상의 위험을 줄이려면 항상 보조 핸들이 올바르게 설치된 상태로 공구를 작동하십시오.** 그렇지 않으면 공구 작동 중에 보조 핸들이 미끄러져 제어력이 상실될 수 있습니다. 제어를 최대화하려면 양손으로 공구를 잡으십시오.

보조 핸들 1 은 기어 케이스 전면에 고정되며 360도 회전하여 오른손 또는 왼 손으로 사용할 수 있습니다.

보조 핸들은 칼라 13 에 고정되며 12 개의 조임 위치가 있습니다. 보조 핸들의 그림을 시계 방향으로 돌려 보조 핸들을 조일 수 있습니다. 액세서리가 무이거나 멈출 경우 공구의 비틀림 동작을 견딜 수 있도록 보조 핸들을 충분히 조여야 합니다. 클램핑 피스가 완전히 맞물리도록 보조 핸들을 칼라 끝단쪽으로 이동했는지 확인하십시오.

#### 깊이게이지를 조정하려면 (그림 A)

보조 핸들 1 을 풀고 깊이게이지 2 를 이동하여 로드 끝과 비트 끝 사이의 거리가 원하는 드릴링 깊이와 동일하도록 합니다. 깊이게이지로 드릴링할 때 로드 끝이 재료 표면에 닿으면 작동을 중지합니다.

#### 벨트클립 (그림 D)

**경고: 심각한 부상의 위험을 줄이려면 공구의 벨트클립 만 사용하여 작업 벨트에 공구를 걸십시오.** 사용 중에 공구를 사람이나 물체에 묶거나 고정하기 위해 벨트클립을 사용하지 마십시오. 공구를 머리 위에 매달거나 벨트클립에 물건을 매달 지 마십시오.

**경고: 심각한 부상의 위험을 줄이려면 공구의 벨트클립 만 사용하여 작업 벨트에 공구를 걸어 두십시오.**

**중요사항:** 벨트클립 10 을 부착하거나 교체할 때는 제공된 나사 14 만 사용하십시오. 나사를 단단히 조이십시오.

벨트클립은 왼손잡이 또는 오른 손잡이 사용자를 위해 제공된 나사 만 사용하여 공구의 양쪽에 장착할 수 있습니다. 벨트클립이 전혀 필요하지 않은 경우 공구에서 제거할 수 있습니다.

벨트클립을 이동하려면 벨트클립을 제자리에 고정하는 나사를 제거한 다음 반대쪽에 다시 조립합니다. 나사를 단단히 조이십시오.

### 비트 및 비트 홀더

**경고: 화상 위험. 비트를 교체할 때는 항상 장갑을 착용하십시오.** 공구 및 조각의 접근 가능한 금속 부분은 작동 중에 매우 뜨거워질 수 있습니다. 작은 비트의 깨진 재료는 맨손을 손상시킬 수 있습니다.

해머 드릴은 원하는 용도에 따라 다른 비트로 장착할 수 있습니다.

**날카로운 드릴 비트 만 사용하십시오.**

#### 비트 추천

- 목재의 경우 트위스트 비트, 스페이드 비트, 파워 오거 비트 또는 구멍 톱을 사용하십시오.
- 금속의 경우 고속 강철 트위스트 드릴 비트 또는 홀스를 사용하십시오. 금속을 드릴링할 때 절삭 윤활유를 사용하십시오. 예외는 건식 드릴링해야 하는 주철과 황동입니다.

#### SDS plus® 비트 홀 (그림 H)

**참고:** 직선 샹크 비트와 육각 스크루 드라이버 비트가 있는 SDS plus® 비트 홀더를 사용하려면 특수 어댑터가 필요합니다. **울선 액세서리를 참조하십시오.**

#### 드릴 비트 또는 기타 액세서리를 삽입하려면:

1. 비트의 샹크를 약 19 mm into SDS plus® 공구 홀더 15 에 삽입합니다.
2. 제자리에 고정 될 때까지 비트를 누르고 돌립니다. 비트가 안전하게 고정됩니다.
3. 비트를 풀려면 슬리브 16 을 뒤로 당기고 비트를 제거하십시오.

## 조작

### 사용 지침



**경고:** 항상 안전 지시 사항과 해당 규정을 준수하십시오.



**경고:** 심각한 신체 부상의 위험을 줄이려면 공구를 정하거나 부착물 또는 액세서리를 제거/설치하기 전에 공구를 끄고 배터리를 분리하십시오. 공구가 갑자기 동하여 부상을 당할 수 있습니다.

### 올바른 손의 위치 (그림 E)



**경고:** 심각한 신체 부상의 위험을 줄이려면 항상 그림과 같이 올바르게 손을 위치하십시오.



**경고:** 심각한 신체 부상의 위험을 줄이려면 항상 급작스러운 반응을 예상하고 확실하게 잡으십시오.

올바른 손 위치는 한 손은 보조 핸들 ①에 다른 손은 메인 핸들 ⑥에 있어야 합니다.

### 트리거 스위치 (그림 A)

공구를 켜려면 트리거 스위치 ③를 누릅니다. 공구를 끄려면 트리거 스위치를 놓습니다. 공구에는 브레이크가 장착되어 있습니다. 트리거 스위치를 완전히 놓으면 척이 중지됩니다.

### 가변 속도 트리거 스위치

가변 속도 트리거 스위치를 사용하면 특정 응용 분야에 가장 적합한 속도를 선택할 수 있습니다. 트리거 스위치를 더 많이 누를수록 공구가 더 빨리 작동합니다. 공구 수명을 최대화하려면 시작 구멍 또는 패스너에만 가변 속도를 사용하십시오.

**참고:** 가변 속도 범위에서 연속 사용은 권장하지 않습니다. 트리거 스위치가 손상될 수 있으므로 피해야 합니다.

### 정 회전 / 역 회전 제어 버튼 (그림 F)

정방향 / 역방향 제어 버튼 ④은 비트 회전 방향을 결정하고 잠금 버튼 역할도 합니다.

**정 회전을 선택하려면,** 트리거 스위치 ③에서 손을 떼고 도구 오른쪽에 있는 정 회전 / 역 회전 제어 버튼을 누릅니다.

**역 회전을 선택하려면,** 공구 왼쪽에 있는 정 회전 / 역 회전 제어 버튼을 누릅니다.

**제어 버튼의 중앙 위치는 공구를 꺼짐 위치에 고정합니다.** 제어 버튼의 위치를 변경할 때 트리거를 놓아야 합니다.

**참고:** 회전 방향을 변경한 후 공구를 처음 실행하면 작동 시 클릭 소리가 들릴 수 있습니다. 이는 정상적인 현상이며 문제가 있는 것은 아닙니다.

### LED 라이트 (그림 A)



**주의: 작업등을 응시하지 마십시오.** 심각한 눈 부상을 입을 수 있습니다.

공구 전면에 LED 라이트 ⑦이 있습니다. 작업등은 트리거 스위치를 눌렀을 때 활성화되며 트리거 스위치에서 손을 떼면 20초 후에 자동으로 꺼집니다. 트리거 스위치를 계속 누르고 있으면 작업등이 계속 켜져 있습니다.

**참고:** 작업등은 바로 작업 표면을 비추기 위한 것이며 손전등으로 사용할 수 없습니다.

## 작동 모드 (그림 G)



**경고:** 공구가 작동 중일 때는 작동 모드를 선택하지 마십시오.



**주의:** 비트 홀더에 치질 비트가 있는 로터리 드릴링 또는 로터리 해머링 모드에서는 절대 사용하지 마십시오. 부상 및 공구 손상이 발생할 수 있습니다.

공구에는 모드 선택 다이얼 ⑤이 있어 원하는 작업에 적합한 모드를 선택합니다.

기호	모드	어플리케이션
		스크류 구동
	로터리 드릴링	강철, 목재 및 플라스틱에 드릴링
	로터리 해머링	콘크리트 및 조적에 드릴링

### 작동 모드를 선택하려면:

1. 모드 선택 다이얼을 돌려 화살표가 원하는 모드에 해당하는 기호를 가리키도록 합니다.

**참고:** 모드 선택기 다이얼의 화살표 ⑤는 항상 모드 기호를 가리키어 합니다. 그 사이에는 작동 가능한 위치가 없습니다. 기어를 정렬하기 위해 '해머링 전용'모드에서 '로터리'모드로 변경한 후 모터를 잠시 가동해야 할 수도 있습니다.

## 작업 수행 (그림 A, G)



**경고:** 부상의 위험을 줄이려면 항상 작업 물이 고정되거나 단단히 고정되었는지 확인하십시오. 얇은 재료를 드릴링하는 경우 재료 손상을 방지하기 위해 목재 "백 업"블록을 사용하십시오.



**경고:** 회전 방향을 변경하기 전에 항상 모터가 완전히 정지할 때까지 기다리십시오.

1. 적절한 척, 어댑터 및 / 또는 비트를 선택하여 공구에 설치하십시오. **비트 및 비트 홀더를** 참조하십시오.
2. 모드 선택 다이얼 ⑤을 사용하여 원하는 용도에 적합한 모드를 선택합니다. **작동 모드를** 참조하십시오.
3. 필요에 따라 보조 핸들 핸들 ①을 조정합니다.
4. 정 회전 / 역 회전 버튼 ④을 사용하여 회전 방향을 선택합니다. 제어 버튼의 위치를 변경할 때 트리거를 놓아야 합니다.
  - 정 회전을 선택하려면 도구 오른쪽에있는 정 회전 / 역 회전 제어 버튼을 누르십시오.
  - 역 회전을 선택하려면 공구 왼쪽에 있는 정 회전 / 역 회전 제어 버튼을 누릅니다.
- 참고:** 제어 버튼의 중앙 위치는 공구를 꺼짐 위치에 고정합니다.
5. 원하는 위치에 비트 / 치질을 놓습니다.
6. 트리거 스위치 ③를 누릅니다. 트리거 스위치를 더 많이 누를수록 공구가 더 빨리 작동합니다. 공구 수명을 최대화하려면 시작 구멍 또는 패스너에만 가변 속도를 사용하십시오.
7. 해머를 멈추려면 스위치를 놓습니다.

### 공구 작동에 대한 권장 사항

- 강철의 큰 (8mm ~ 13mm) 구멍은 먼저 파일럿 구멍 (4mm ~ 5mm)을 뚫으면 더 쉽게 작업할 수 있습니다.

- 드릴링할 때 항상 비트에 직선으로 압력을 가하되 모터를 정지 시키거나 비트를 편향시킬만큼 세게 밀지 마십시오. 재료의 부드럽고 균일한 이동은 적절한 드릴링 속도를 나타냅니다.
- 얇은 재료나 쪼개지기 쉬운 재료를 드릴링하는 경우 목재 '백업' 블록을 사용하여 공작물 손상을 방지하십시오.

## 경고:

- 이 공구를 사용하여 쉽게 가연성 또는 폭발성 유체(벤젠, 알코올 등)를 혼합하거나 펴뭉치지 마십시오.
- 그에 따라 표시된 인화성 액체를 혼합하거나 저어주지 마십시오.

## 유지 보수

DeWALT 전동 공구는 최소한의 유지 보수로 장기간에 걸쳐 작업이 가능하도록 설계되어 있습니다. 만족스러운 연속 작동은 적절한 공구 관리와 정기적인 청소로 따라 그 성능이 달라질 수 있습니다.

**경고: 심각한 신체 부상의 위험을 줄이려면 공구를 정하거나 부착물 또는 액세서리를 제거/설치하기 전에 공구를 끄고 배터리를 분리하십시오.** 공구가 갑자기 작동하여 부상을 당할 수 있습니다.

충전기 및 배터리 팩은 수리할 수 없습니다.



## 유행방법

전동 공구는 별도의 유행 작업이 필요하지 않습니다.



## 청소

**경고:** 통풍구 속이나 주변에 먼지가 쌓여있는 것이 보이면 가능한 한 자주 건조한 공기를 이용하여 메인 하우징에서 먼지를 불어내십시오. 이 절차를 수행할 때에는 승인된 눈 보호 장구 및 승인된 방진 마스크를 착용하십시오.

**경고:** 공구의 비금속성 부품을 청소할 때는 용제 등의 강력한 화학약품을 절대 사용하지 마십시오. 그렇지 않으면 이러한 부분에 사용된 재료가 약해질 수 있습니다. 헹굼에 물과 순한 비누를 적셔 닦아주십시오. 공구 내부에 액체를 넣거나 공구 부품을 액체에 담그는 행동은 절대 금물입니다.

## 선택 액세서리

**경고:** DeWALT에서 제공하지 않은 액세서리는 본 제품에서 테스트되지 않았으므로 본 제품에서 이러한 액세서리를 사용하면 위험할 수 있습니다. 신체 부상의 위험을 줄이려면 본 제품에 일맞은 액세서리만 사용해야 합니다.

해당 액세서리에 대한 자세한 정보는 판매 대리점으로 문의하십시오.

## 먼지 추출 시스템 (그림 1)

잠재적으로 유해한 공기 중 먼지를 줄이고 공구 및 액세서리 수명을 연장하려면 먼지 추출 시스템을 사용하는 것이 좋습니다.

적합한 먼지 추출 시스템에 대한 자세한 내용은 대리점에 문의하십시오.

## 환경 보호



분리 수거. 이 기호가 표시된 제품과 배터리를 일반 가정용 쓰레기와 함께 처리하면 안됩니다.

제품과 배터리에는 재활용되거나 재활용되고 고철 자원에 대한 수요를 줄일 수 있는 자재가 포함되어 있습니다. 전기 제품과 배터리는 지역 규정에 따라 재활용하십시오. 자세한 내용은 [www.2helpU.com](http://www.2helpU.com) 에서 찾아볼 수 있습니다.

## 충전용 배터리 팩

이전에 쉽게 수행했던 작업에 대해 충분한 힘을 발휘하지 못하는 배터리 팩은 재충전해야 합니다. 배터리 수명이 다하면 환경 보호 차원에서 배터리 팩을 폐기하십시오.

- 배터리 팩을 완전히 사용하고 난 후 공구에서 분리하십시오.
- 리튬이온 전지는 재활용할 수 있습니다. 이 전지를 판매점이나 지역 재활용 센터로 가져가십시오. 수집된 배터리 팩은 재활용되거나 적절히 폐기됩니다.

SDS PLUS® 및 SDS MAX®는 Robert Bosch GmbH의 등록 상표입니다.

## 정비 및 수리

DeWALT 는 고객들에게 가장 효율적이고 신뢰할 수 있는 서비스를 제공하기 위하여 훈련된 직원들로 센터를 구성하고 있습니다. 사용자의 안전 및 제품의 신뢰성을 보장하기 위하여 제품의 정비, 유지 보수 및 수리는 반드시 공인된 서비스센터에서 수행해야 합니다. 자격이 없는 곳으로부터 받은 제품의 정비 및 수리는 사용자의 부상 위험 및 불이익을 초래할 수 있습니다. 가까운 DeWALT 서비스센터의 위치를 알아보려면, 제품과 함께 동봉된 전단을 통해 전화번호, 홈페이지 주소 및 기타 연락처 등을 확인할 수 있습니다.









