

# DEWALT®

# XR®

English ( <i>original instructions</i> )	4
繁體中文	9
한국어	14
ภาษาไทย	19



Fig. A

圖 A

그림 A

그림 A

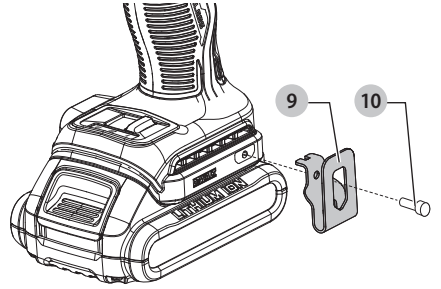
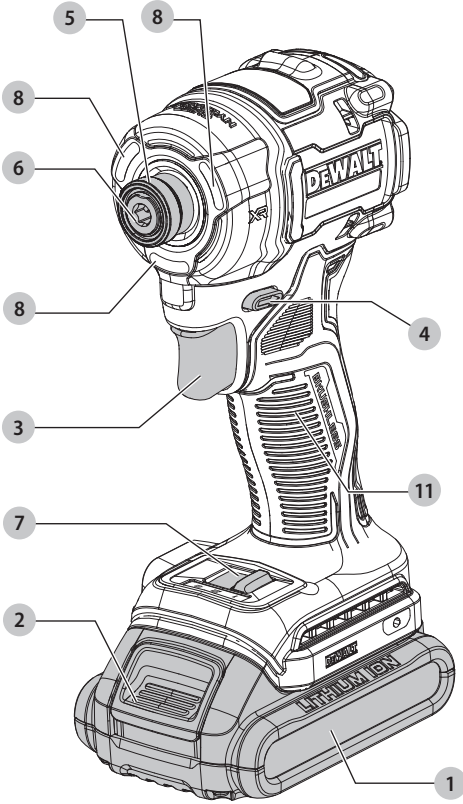


Fig. B

圖 B

그림 B

그림 B

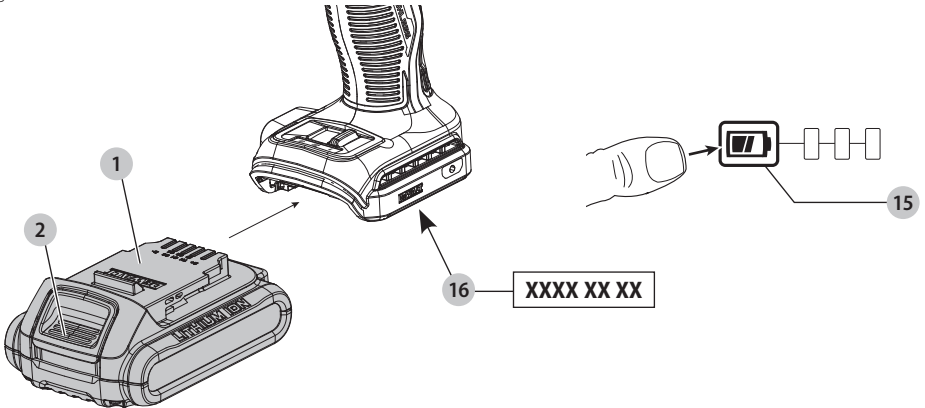


Fig. C  
圖 C  
그림 C  
 شکل C

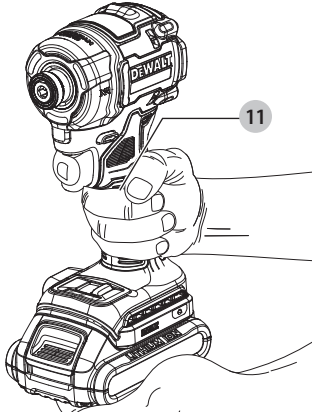


Fig. D  
圖 D  
그림 D  
 شکل D

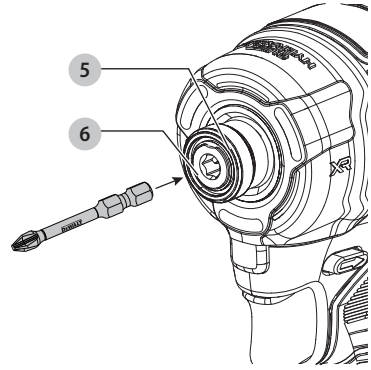


Fig. E  
圖 E  
그림 E  
 شکل E

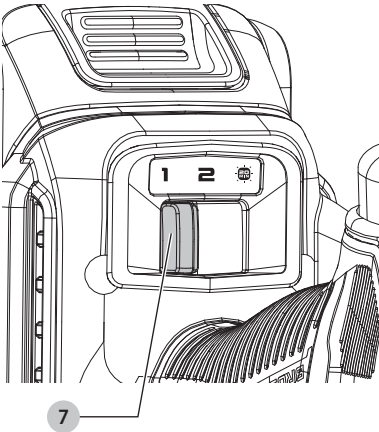
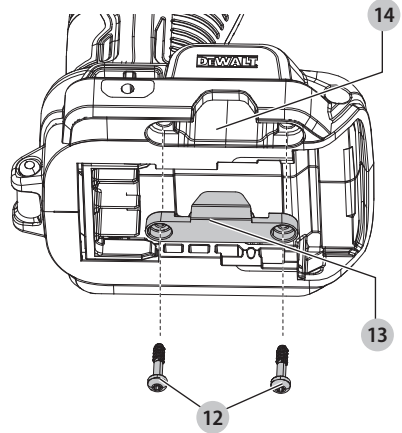



Fig. F  
圖 F  
그림 F  
 شکل F




# 20V MAX XR HYDRAULIC IMPACT DRIVER

## DCF870

 **WARNING:** Read all safety warnings, instructions, illustrations, and specifications in this manual, including the battery and charger sections provided in an original tool manual or the separate Batteries and Chargers manual. Manuals can be obtained by contacting Customer Service (refer to the back page of this manual).




### Technical Data

		DCF870
Voltage	V <sub>DC</sub>	18(20 Max)
Battery type		Li-Ion
Power output	W	500
No load speed		
Mode 1	rpm	0–1100
Mode 2	rpm	0–3000
Mode 3 w/20 minute worklight	rpm	0–3000
Max torque	Nm	56
Tool holder	mm	6.35
Weight (without battery pack)	kg	1.0

 **WARNING:** To reduce the risk of injury, read the instruction manual.

### Definitions: Safety Guidelines

The definitions below describe the level of severity for each signal word. Please read the manual and pay attention to these symbols.

-  **DANGER:** Indicates an imminently hazardous situation which, if not avoided, **will** result in **death or serious injury**.
-  **WARNING:** Indicates a potentially hazardous situation which, if not avoided, **could** result in **death or serious injury**.
-  **CAUTION:** Indicates a potentially hazardous situation which, if not avoided, **may** result in **minor or moderate injury**.
- NOTICE:** Indicates a practice **not related to personal injury** which, if not avoided, **may** result in **property damage**.

 Denotes risk of electric shock.

 Denotes risk of fire.

### GENERAL POWER TOOL SAFETY WARNINGS

 **WARNING:** Read all safety warnings, instructions, illustrations and specifications provided with this power tool. Failure to follow all instructions listed below may result in electric shock, fire and/or serious injury.

#### SAVE ALL WARNINGS AND INSTRUCTIONS FOR FUTURE REFERENCE

The term “power tool” in the warnings refers to your mains-operated (corded) power tool or battery-operated (cordless) power tool.

#### 1) Work Area Safety

- a) **Keep work area clean and well lit.** Cluttered or dark areas invite accidents.
- b) **Do not operate power tools in explosive atmospheres, such as in the presence of flammable liquids, gases or dust.** Power tools create sparks which may ignite the dust or fumes.

- c) **Keep children and bystanders away while operating a power tool.** Distractions can cause you to lose control.

#### 2) Electrical Safety

- a) **Power tool plugs must match the outlet. Never modify the plug in any way. Do not use any adapter plugs with earthed (grounded) power tools.** Unmodified plugs and matching outlets will reduce risk of electric shock.
- b) **Avoid body contact with earthed or grounded surfaces, such as pipes, radiators, ranges and refrigerators.** There is an increased risk of electric shock if your body is earthed or grounded.
- c) **Do not expose power tools to rain or wet conditions.** Water entering a power tool will increase the risk of electric shock.
- d) **Do not abuse the cord. Never use the cord for carrying, pulling or unplugging the power tool. Keep cord away from heat, oil, sharp edges or moving parts.** Damaged or entangled cords increase the risk of electric shock.
- e) **When operating a power tool outdoors, use an extension cord suitable for outdoor use.** Use of a cord suitable for outdoor use reduces the risk of electric shock.
- f) **If operating a power tool in a damp location is unavoidable, use a residual current device (RCD) protected supply.** Use of an RCD reduces the risk of electric shock.

#### 3) Personal Safety

- a) **Stay alert, watch what you are doing and use common sense when operating a power tool. Do not use a power tool while you are tired or under the influence of drugs, alcohol or medication.** A moment of inattention while operating power tools may result in serious personal injury.
- b) **Use personal protective equipment. Always wear eye protection.** Protective equipment such as a dust mask, non-skid safety shoes, hard hat or hearing protection used for appropriate conditions will reduce personal injuries.
- c) **Prevent unintentional starting. Ensure the switch is in the off position before connecting to power source and/or battery pack, picking up or carrying the tool.** Carrying power tools with your finger on the switch or energising power tools that have the switch on invites accidents.
- d) **Remove any adjusting key or wrench before turning the power tool on.** A wrench or a key left attached to a rotating part of the power tool may result in personal injury.
- e) **Do not overreach. Keep proper footing and balance at all times.** This enables better control of the power tool in unexpected situations.
- f) **Dress properly. Do not wear loose clothing or jewellery. Keep your hair and clothing away from moving parts.** Loose clothes, jewellery or long hair can be caught in moving parts.
- g) **If devices are provided for the connection of dust extraction and collection facilities, ensure these are connected and properly used.** Use of dust collection can reduce dust-related hazards.
- h) **Do not let familiarity gained from frequent use of tools allow you to become complacent and ignore tool safety**

**principles.** A careless action can cause severe injury within a fraction of a second.

#### 4) Power Tool Use and Care

a) **Do not force the power tool. Use the correct power tool for your application.** The correct power tool will do the job better and safer at the rate for which it was designed.

b) **Do not use the power tool if the switch does not turn it on and off.** Any power tool that cannot be controlled with the switch is dangerous and must be repaired.

c) **Disconnect the plug from the power source and/or remove the battery pack, if detachable, from the power tool before making any adjustments, changing accessories, or storing power tools.** Such preventive safety measures reduce the risk of starting the power tool accidentally.

d) **Store idle power tools out of the reach of children and do not allow persons unfamiliar with the power tool or these instructions to operate the power tool.** Power tools are dangerous in the hands of untrained users.

e) **Maintain power tools and accessories. Check for misalignment or binding of moving parts, breakage of parts and any other condition that may affect the power tool's operation. If damaged, have the power tool repaired before use.** Many accidents are caused by poorly maintained power tools.

f) **Keep cutting tools sharp and clean.** Properly maintained cutting tools with sharp cutting edges are less likely to bind and are easier to control.

g) **Use the power tool, accessories and tool bits, etc. in accordance with these instructions, taking into account the working conditions and the work to be performed.** Use of the power tool for operations different from those intended could result in a hazardous situation.

h) **Keep handles and grasping surfaces dry, clean and free from oil and grease.** Slippery handles and grasping surfaces do not allow for safe handling and control of the tool in unexpected situations.

#### 5) Battery Tool Use and Care

a) **Recharge only with the charger specified by the manufacturer.** A charger that is suitable for one type of battery pack may create a risk of fire when used with another battery pack.

b) **Use power tools only with specifically designated battery packs.** Use of any other battery packs may create a risk of injury and fire.

c) **When battery pack is not in use, keep it away from other metal objects, like paper clips, coins, keys, nails, screws or other small metal objects, that can make a connection from one terminal to another.** Shorting the battery terminals together may cause burns or a fire.

d) **Under abusive conditions, liquid may be ejected from the battery; avoid contact. If contact accidentally occurs, flush with water. If liquid contacts eyes, additionally seek medical help.** Liquid ejected from the battery may cause irritation or burns.

e) **Do not use a battery pack or tool that is damaged or modified.** Damaged or modified batteries may exhibit unpredictable behaviour resulting in fire, explosion or risk of injury.

f) **Do not expose a battery pack or tool to fire or excessive temperature.** Exposure to fire or temperature above 130 °C may cause explosion.

g) **Follow all charging instructions and do not charge the battery pack or tool outside the temperature range specified in the instructions.** Charging improperly or at temperatures outside the specified range may damage the battery and increase the risk of fire.

#### 6) Service

a) **Have your power tool serviced by a qualified repair person using only identical replacement parts.** This will ensure that the safety of the power tool is maintained.

b) **Never service damaged battery packs.** Service of battery packs should only be performed by the manufacturer or authorised service providers.

#### Impact Wrench/Driver Safety Warnings-All Operations

- **Hold the power tool by insulated gripping surfaces when performing an operation where the fastener may contact hidden wiring.** Fasteners contacting a "live" wire may make exposed metal parts of the power tool "live" and could give the operator an electric shock.

- **Wear ear protectors during use.** Exposure to noise can cause hearing loss.

- **⚠ WARNING: Impact wrenches are not torque wrenches. DO NOT use this tool for tightening fasteners to specified torques.** An independent, calibrated torque measurement device such as a torque wrench should be used when under-tightened or overtightened fasteners can lead to the failure of the joint.

- **Use clamps or another practical way to secure and support the workpiece to a stable platform. Holding the work by hand or against your body leaves it unstable and may lead to loss of control.**

- **Wear safety goggles or other eye protection. Hammering and drilling operations cause chips to fly.** Flying particles can cause permanent eye damage.

- **Do not operate this tool for long periods of time. Vibration caused by tool action may be harmful to your hands and arms.** Use gloves to provide extra cushion and limit exposure by taking frequent rest periods.

- **Accessories and tools get hot during operation.** Wear gloves when touching them.

#### Residual Risks

In spite of the application of the relevant safety regulations and the implementation of safety devices, certain residual risks cannot be avoided. These are:

- Impairment of hearing.
- Risk of personal injury due to flying particles.
- Risk of burns due to accessories becoming hot during operation.
- Risk of personal injury due to prolonged use.

#### SAVE THESE INSTRUCTIONS

#### Battery Type

The following tools operate on an 18(20 Max) volt battery pack: DCF870

Refer to the **battery/charger manual** for more information.

## Package Contents

The package contains:

- 1 Impact driver
- 1 Charger (not included with N and NT versions)
- 1 Magnetic bit holder
- 1 Belt hook
- 1 Kitbox (included with T versions)
- 1 Tool Connect™ App instruction manual (B models)
- Li-Ion battery pack (not included with N and NT versions)
- 1 Instruction manual

**NOTE:** Battery packs, chargers and kitboxes are not included with N models. Battery packs and chargers are not included with NT models. B models include Bluetooth® battery packs.

**NOTE:** The Bluetooth® word mark and logos are registered trademarks owned by the Bluetooth®, SIG, Inc. and any use of such marks by DEWALT is under license. Other trademarks and trade names are those of their respective owners.

- Check for damage to the tool, parts or accessories which may have occurred during transport.
- Take the time to thoroughly read and understand this manual prior to operation.

## Markings on Tool

The following pictograms are shown on the tool:



Read instruction manual before use.



Visible radiation. Do not stare into light.

## Date Code Position (Fig. B)

The production date code **16** consists of a 4-digit year followed by a 2-digit week and is extended by a 2-digit factory code.

## Description (Fig. A)

**▲ WARNING:** Never modify the power tool or any part of it. Damage or personal injury could result.

- 1 Battery pack
- 2 Battery pack release button
- 3 Variable speed trigger
- 4 Forward/reverse control button
- 5 Chuck collar
- 6 1/4" (6.35 mm) hex quick-release chuck
- 7 Speed selector
- 8 Worklight
- 9 Belt hook
- 10 Mounting screw
- 11 Main handle

## Intended Use

This impact driver is designed for professional impact screwdriving applications. The impact function makes this tool particularly useful for driving fasteners in wood, and metal.

**DO NOT** use under wet conditions or in the presence of flammable liquids or gases.

This impact driver is a professional power tool.

**DO NOT** let children come into contact with the tool. Supervision is required when inexperienced operators use this tool.

- **Young children and the infirm.** This appliance is not intended for use by young children or infirm persons without supervision.
- This product is not intended for use by persons (including children) suffering from diminished physical, sensory or mental abilities; lack of experience, knowledge or skills unless they are supervised by a person responsible for their safety. Children should never be left alone with this product.

## ASSEMBLY AND ADJUSTMENTS

**▲ WARNING:** To reduce the risk of serious personal injury, turn tool off and disconnect battery pack before making any adjustments or removing/installing attachments or accessories. An accidental start-up can cause injury.

**▲ WARNING:** Use only DEWALT batteries and chargers.

## Inserting and Removing the Battery Pack from the Tool (Fig. B)

**NOTE:** Make sure your battery pack **1** is fully charged.

### To Install the Battery Pack into the Tool Handle

1. Align the battery pack with the rails inside the tool's handle (Fig. B).
2. Slide it into the handle until the battery pack is firmly seated in the tool and ensure that you hear the lock snap into place.

### To Remove the Battery Pack from the Tool

1. Press the battery release button **2** and firmly pull the battery pack out of the tool handle.
2. Insert battery pack into the charger.

## Fuel Gauge Battery Packs (Fig. B)

Some DEWALT battery packs include a fuel gauge, which consists of three green LED lights that indicate the level of charge remaining in the battery pack.

To actuate the fuel gauge, press and hold the fuel gauge button **15**. A combination of the three green LED lights will illuminate, designating the level of charge left. When the level of charge in the battery is below the usable limit, the fuel gauge will not illuminate and the battery will need to be recharged.

**NOTE:** The fuel gauge is only an indication of the charge left on the battery pack. It does not indicate tool functionality and is subject to variation based on product components, temperature and end-user application.

## Quick-Release Chuck (Fig. A, D)

**▲ WARNING:** Use only impact accessories. Non-impact accessories may break and cause a hazardous condition. Inspect accessory prior to use to ensure that it contains no cracks.

**NOTE:** The quick-release chuck **6** accepts 1/4" hex accessories.

Place the forward/reverse control button **4** in the lock-off (center) position and remove battery pack **1** before changing accessories.

**To install an accessory,** fully insert the accessory. The accessory is locked into place (Fig. D).

**To remove an accessory,** pull the chuck collar **5** away from the front of the tool. Remove the accessory (Fig. D).

## OPERATION

### Instructions for Use

**▲ WARNING:** Always observe the safety instructions and applicable regulations.

**▲ WARNING:** To reduce the risk of serious personal injury, turn tool off and disconnect battery pack before making

**any adjustments or removing/installing attachments or accessories. An accidental start-up can cause injury.**

### Proper Hand Position (Fig. C)

**▲ WARNING:** To reduce the risk of serious personal injury, **ALWAYS** use proper hand position as shown.

**▲ WARNING:** To reduce the risk of serious personal injury, **ALWAYS** hold securely in anticipation of a sudden reaction. Proper hand position requires one hand on the main handle **11**.

### Variable Speed Trigger and Forward/Reverse Control Button (Fig. A)

The tool is turned on and off by pulling and releasing the variable speed trigger **3**. The farther the variable speed trigger is depressed, the higher the speed of the tool. Your tool is equipped with a brake. The chuck will stop as soon as the variable trigger is fully released.

A forward/reverse control button **4** determines the rotational direction of the tool and also serves as a lock-off button.

- To select forward rotation (clockwise), release the variable speed trigger and depress the forward/reverse control button on the right side of the tool.

- To select reverse (counterclockwise), depress the forward/reverse control button on the left side of the tool.

**NOTE:** The center position of the forward/reverse control button locks the tool in the off position. When changing the position of the control button, be sure the trigger is released.

**NOTE:** Continuous use in variable speed range is not recommended. It may damage the switch and should be avoided.

**NOTE:** The first time the tool is run after changing the direction of rotation, you may hear a click on start-up. This is normal and does not indicate a problem.

### Speed Selector (Fig. A, E)

**NOTE:** Do not change speeds when the tool is running. Always allow the tool to come to a complete stop before changing speed.

Your tool is equipped with a speed selector **7** which allows you to select one of two speeds for greater versatility. Select the speed based on the maximum speed/torque needed and control the speed of the tool using the variable speed trigger **3**.

#### Specifications

Mode	Application	RPM
Mode 1	Low speed	0-1100 forward
		0-1100 reverse
Mode 2	High speed	0-3000 forward
		0-3000 reverse
Mode 3 (20 Minute Worklight mode) Refer to <b>Worklights</b> section.	High speed	0-3000 forward 0-3000 reverse

1. To select Mode 1 (low speed setting), turn the tool off and permit it to stop. Slide the speed selector **7** to the far left (with front of tool facing away).
2. To select Mode 2 (high speed setting), turn the tool off and permit it to stop. Slide the speed selector **7** to the center position.
3. To select Mode 3 (20 minute worklight mode) (high speed setting), turn the tool off and permit it to stop. Slide the speed selector **7** to the far right (with front of tool facing away).

**NOTE:** Mode 3 (20 minute worklight mode) provides the same application and RPM speed as Mode 2.

If the tool does not change speeds, confirm that the speed selection switch is completely engaged in the forward or back position.

### Worklights (Fig. A)

**▲ CAUTION:** Do not stare into worklight. Serious eye injury could result.

There are three worklights **8** located around the chuck collar **5**. The worklights are activated when the variable speed trigger **3** is depressed. In low speed mode when the variable speed trigger is released, the worklight will stay illuminated for up to 20 seconds. If the variable speed trigger switch remains depressed, the worklights will remain on.

### 20 Minute Worklight Mode

Mode 3 will activate the tool's worklights. The worklights will run for 20 minutes after the variable speed trigger is released.

**▲ WARNING:** While using the tool in worklight mode, do not stare at the lights or place the drill in a position which may cause anyone to stare into the worklights. Serious eye injury could result.

**▲ CAUTION:** When using the tool with the worklights, be sure it is secured on a stable surface where it will not cause a tripping or falling hazard.

**▲ CAUTION:** Remove all accessories from the chuck before using the drill in worklight mode. Personal injury or property damage could result.

### Usage (Fig. A)

**▲ CAUTION:** Ensure fastener and/or system will withstand the level of torque generated by the tool. Excessive torque may cause breakage and possible personal injury.

1. Place the accessory on the fastener head. Keep the tool pointed straight at the fastener.
2. Press variable speed trigger **3** to start operation. Release variable speed trigger to stop operation.

Always check torque with a torque wrench, as the fastening torque is affected by many factors including the following:

- **Voltage:** Low voltage, due to a nearly discharged battery, will reduce fastening torque.
- **Accessory size:** Failure to use the correct accessory size will cause a reduction in fastening torque.
- **Bolt size:** Larger bolt diameters generally require higher fastening torque. Fastening torque will also vary according to length, grade, and torque coefficient.
- **Bolt:** Ensure that all threads are free of rust and other debris to allow proper fastening torque.
- **Material:** The type of material and surface finish of the material will affect fastening torque.
- **Fastening time:** Longer fastening time results in increased fastening torque. Using a longer fastening time than recommended could cause the fasteners to be overstressed, stripped or damaged.

### Tool Connect™ Chip (Fig. A, F)

**▲ WARNING:** To reduce the risk of injury, remove battery pack **1** before any Tool Connect™ interaction.

Your tool is Tool Connect™ Chip ready and has a location for installation of a Tool Connect™ Chip.

Tool Connect™ Chip is an optional application for your smart device (such as a smart phone or tablet) that connects the device to utilize the mobile application for inventory management functions.



Refer to **Tool Connect™ Chip Instruction Sheet** for more information.

### Installing the Tool Connect™ Chip

1. Remove the retaining screws **12** that hold the Tool Connect™ Chip protective cover **13** into the tool.
2. Remove the protective cover and insert the Tool Connect™ Chip into the empty pocket **14**.
3. Ensure that the Tool Connect™ Chip is flush with the housing. Secure it with the retaining screws and tighten the screws.
4. Refer to **Tool Connect™ Chip Instruction Sheet** for further instructions.

### MAINTENANCE

Your power tool has been designed to operate over a long period of time with a minimum of maintenance. Continuous satisfactory operation depends upon proper tool care and regular cleaning.

**▲ WARNING: To reduce the risk of serious personal injury, turn tool off and disconnect battery pack before making any adjustments or removing/installing attachments or accessories.** An accidental start-up can cause injury. The charger and battery pack are not serviceable.

### Lubrication

Your power tool requires no additional lubrication.

### Cleaning

**▲ WARNING: Electrical shock and mechanical hazard.** Disconnect the electrical appliance from the power source before cleaning.

**▲ WARNING: To ensure safe and efficient operation, always keep the electrical appliance and the ventilation slots clean.**

**▲ WARNING: Never use solvents or other harsh chemicals for cleaning the non-metallic parts of the tool. These chemicals may weaken the materials used in these parts. Use a cloth dampened only with water and mild soap. Never let any liquid get inside the tool; never immerse any part of the tool into a liquid.**

Ventilation slots can be cleaned using a dry, soft non-metallic brush and/or a suitable vacuum cleaner. Do not use water or any cleaning solutions. Wear approved eye protection and an approved dust mask.

### Optional Accessories

**▲ WARNING: Since accessories, other than those offered by DEWALT, have not been tested with this product, use of such accessories with this tool could be hazardous. To reduce the risk of injury, only DEWALT recommended accessories should be used with this product.**

Consult your dealer for further information on the appropriate accessories.

### Impact Accessories

**▲ WARNING: Use only impact accessories. Non-impact accessories may break and cause a hazardous condition. Inspect accessories prior to use to ensure that they contain no cracks.**

### Belt Hook (Fig. A)

**▲ WARNING: Drop Hazard. To reduce the risk of serious personal injury, DO NOT use the belt hook for tethering or securing the tool to a person or object during use when elevated.**

**▲ WARNING: To reduce the risk of serious personal injury, DO NOT suspend tool overhead or suspend objects from the belt hook. ONLY hang tool's belt hook from a work belt.**

**▲ WARNING: To reduce the risk of serious personal injury, ensure the screw holding the belt hook is secure.**

**NOTE: Bit clip and belt hook cannot be used with the lanyard-ready attachment kit installed.**

**IMPORTANT:** When attaching or replacing the belt hook, use only the screw **10** that is provided. Be sure to securely tighten the screw. The belt hook **9** can be attached to either side of the tool using only the screw **10** provided, to accommodate left- or right-handed users. If the hook is not desired at all, it can be removed from the tool.

To move belt hook, remove the screw that holds the belt hook in place then reassemble on the opposite side. Be sure to securely tighten the screw.

### Protecting the Environment



Separate collection. Products and batteries marked with this symbol must not be disposed of with normal household waste.

Products and batteries contain materials that can be recovered or recycled, reducing the demand for raw materials. Please recycle electrical products and batteries according to local provisions. Further information is available at [www.2helpU.com](http://www.2helpU.com).

### Rechargeable Battery Pack

This long-life battery pack must be recharged when it fails to produce sufficient power on jobs that were easily done before. At the end of its technical life, discard it with due care for our environment:

- Run the battery pack down completely, then remove it from the tool.
- Li-Ion cells are recyclable. Take them to your dealer or a local recycling station. The collected battery packs will be recycled or disposed of properly.

### After Service and Repair

DEWALT service centers are staffed with trained personnel to provide customers with efficient and reliable product service. We do not take any responsibility when you have repaired in unauthorized service center. You can refer to the leaflet of CONTACT CENTER LOCATOR in product package and contact us through hotline, website or social media to find the nearest DEWALT service center around you.



# 鋰電無碳刷液壓衝擊起子機

## DCF870

**恭喜!** 感謝您選購DEWALT工具。憑藉多年的產品開發和創新經驗, DEWALT已經成為專業電動工具用戶最可靠的合作夥伴之一。請注意! 各地區上市產品/配件不盡相同, 請依台灣繁體中文說明書的內容為主。



**警告:** 請閱讀本手冊中的所有安全警告、指令、插圖和規格說明, 包括原裝工具手冊中介紹電池和充電器的部分, 或是單獨的電池和充電器手冊。您可聯繫客服, 獲取本手冊(參見本手冊封面)。

## 技術資料

		DCF870
電壓	V <sub>DC</sub>	18(20 Max)
電池類型		鋰離子
輸出功率	瓦	500
空載轉速		
模式1	rpm	0-1100
模式2	rpm	0-3000
型號3 w/20分鐘 工作燈	rpm	0-3000
最大扭矩	Nm	56
夾頭尺寸	mm	6.35
重量(不含電池組)	公斤	1.0

20V Max為最大電壓(無負載電壓), 標稱電壓為18V。



**警告:** 為降低受傷的風險, 用戶必須仔細閱讀使用手冊。

## 定義: 安全指南

以下定義描述了每個信號詞的嚴重程度。請閱讀手冊並留意這些符號。

**▲ 危險:** 表示緊急的危險情況, 如不加以避免, 將導致死亡或嚴重傷害。

**▲ 警告:** 表示潛在的危險情況, 如不加以避免, 將導致死亡或嚴重傷害。

**▲ 小心:** 表示潛在的危險情況, 如不加以避免, 將導致輕度或中度傷害。

**注意:** 表示不涉及人身傷害的情況, 如不加以避免, 可能導致財產損失。

▲ 表示存在觸電風險。

▲ 表示存在火災風險。

## 電動工具通用安全警告

**▲ 警告:** 請閱讀本電動工具隨附的所有安全警告、指示、圖示和規格。不遵循下列的所有指示可能會導致觸電、火災及/或嚴重傷害。

### 保存所有警告和說明書以備今後查閱

警告中的名詞「電動工具」是指電源驅動(插電)電動工具, 或者電池驅動(充電)電動工具。

### 1) 工作場地安全

a) 請保持工作場地清潔明亮。混亂或昏暗的場地會引發事故。

b) 請勿在易爆環境, 如有易燃液體、氣體或粉塵的環境中操作電動工具。電動工具產生的火花會點燃粉塵或氣體。

c) 請等待兒童和旁觀者離開之後才操縱電動工具。分心會讓您失去對工具的控制。

### 2) 電氣安全

a) 電動工具插頭必須與插座相符。切勿以任何方式改裝插頭。需接地的電動工具不能使用任何配接器插頭。未經改裝的插頭和相配的插座可以減少觸電危險。

b) 避免人體接觸接地表面, 如管道、散熱片、爐灶和冰箱。若您的身體接地, 會增加觸電危險。

c) 不得將電動工具暴露在雨中或潮濕環境中。水進入電動工具會增加觸電危險。

d) 請勿濫用電線。請勿使用電線來搬運、拉動電動工具或拔出插頭。請讓電線遠離熱、油、銳邊和轉動部件。受損或纏繞的電線會增加觸電危險。

e) 如需在戶外使用電動工具, 請使用適合戶外使用的延長電線。使用適合戶外使用的電線可減少觸電危險。

f) 若必須在潮濕場合使用電動工具, 請使用漏電保護器(RCD)。使用RCD可降低觸電危險。

### 3) 人身安全

a) 保持警覺; 在操作電動工具時, 請留意所執行的操作並按照一般的程式執行。請勿在疲倦或在受到毒品、酒精或藥品的影響時使用電動工具。操作電動工具期間注意力分散會導致嚴重人身傷害。

b) 請使用個人防護裝置。始終佩戴護目裝置。防護裝置, 例如在適當條件下使用的防塵面具、防滑安全鞋、安全帽或聽力保護等裝置可減少人身傷害。

c) 避免意外啟動。連接電源及/或電池組、舉抬或搬運電動工具之前, 請確定開關處於關閉位置。若搬運電動工具時將手指放在開關上, 或者在電動工具開關開啟時將插頭插入電源插座, 這兩種行為都會引發事故。

d) 啟動電動工具之前, 請卸下所有的調整鑰匙或扳手。遺留在電動工具旋轉部件上的扳手或鑰匙會導致人身傷害。

e) 請勿過度伸展雙手。時刻注意腳下與身體的平衡。如此即可在發生意外的情況下更好地控制電動工具。

f) 適當穿著。請勿穿寬鬆衣服或佩戴飾品。讓頭髮、衣服和手套遠離活動部件。寬鬆衣服、佩飾和長髮可能會捲入轉動部件。

g) 若配備用於連接排屑裝置和集塵設備的裝置, 請確定正確連接和使用這些裝置。使用集塵設備可減少與粉塵有關的危險。

h) 請勿因為頻繁使用工具而產生的熟悉感而掉以輕心, 忽視工具的安全準則。某個粗心的動作可能會在瞬間導致嚴重傷害。

### 4) 電動工具的使用和注意事項

a) 請勿超負荷使用電動工具。請根據不同應用需求選用合適的電動工具。若使用的電動工具正確無誤, 該工具能以設計額定值更有效、更安全地執行工作。

b) 若開關不能開啟或關閉電源, 請勿使用該電動工具。若開關無法控制電動工具, 則電動工具存在危險, 必須予以維修。

c) 在執行任何調整、更換配件或儲存工具之前, 必須從電源上拔掉插頭及/或卸下電池組。這類防護性措施可降低電動工具意外啟動的風險。

- d) 請將閒置的電動工具存放在兒童無法觸及的地方，同時請勿讓不熟悉電動工具或對這些使用說明不瞭解的人員操作電動工具。電動工具在未經培訓的使用者手中會發生危險。
- e) 維護電動工具和附件。檢查活動部件是否對準或卡住、破損情況以及是否存在影響電動工具運行的其他情況。若有損壞，這必須在使用之前修理電動工具。許多事故都是由於電動工具欠缺維護所導致。
- f) 保持刀具鋒利和清潔。妥善維護的帶利刃的切削工具不會被輕易卡住，而且更易控制。
- g) 使用電動工具、配件和工具刀頭等時，請遵循這些指示使用，並且亦需考慮工作環境和有待執行的工作。不按照設計目的使用電動工具會導致危險。
- h) 保持手柄和握持面乾燥、清潔、不油膩。在意外情況下，濕滑的手柄不能保證握持的安全以及對工具的控制。

## 5) 電池工具的使用與注意事項

- a) 只能使用製造商指定的充電器為電池充電。使用僅適合一種電池組的充電器為其他類型的電池組充電會導致火災風險。
- b) 請為電動工具使用指定的電池組。使用其他非原廠的電池組會導致人身傷害和火災危險。
- c) 不使用電池組時，請將其遠離迴紋針、硬幣、鑰匙、釘子、螺釘以及其他可連通電池兩極的金屬物品。短接電池端子可能會引發燃燒或火災。
- d) 濫用電池的情況下，液體會從電池中噴出；避免與液體接觸。如果不慎接觸到電池液，請用水沖洗。如果電池液接觸到雙眼，請就醫。從電池噴出的液體會刺激皮膚或造成灼傷。
- e) 請勿使用已經損壞或改動的電池組或工具。損壞或改動的電池可能表現出不可預計的行為，導致火災、爆炸或傷害風險。
- f) 請勿讓電池組或工具暴露於火中或過高温度的環境中。暴露於火中或溫度超過130°C的環境中可能導致爆炸。
- g) 請遵循所有充電說明，請勿在說明中規定的溫度範圍以外的環境對電池組或工具充電。不當充電或在指定範圍以外的溫度下充電，可能導致電池損壞並增加火災風險。

## 6) 檢修

- a) 維修本電動工具時，必須由合格的維修人員執行，而且只能使用完全一致的更換件。這樣將確保電動工具的安全。
- b) 切勿維修損毀的電池組。電池組的維修應僅由製造商或授權服務提供商進行。

## 衝擊扳手/起子安全警告——全部操作

- 若在操作中，緊固件會觸及隱藏在牆內的電線，請握住電動工具的絕緣握持面。緊固件碰到帶電導線可能會使電動工具的外露金屬零件帶電，並讓操作人員面臨觸電危險。
- 在使用時，請佩戴聽力保護裝置。暴露在噪音中會引起聽力損傷。  
**▲ 警告：衝擊扳手並非扭矩扳手。請勿使用該工具將緊固件擰到特定扭矩。若緊固件不夠緊固或過於緊固，會導致結合處出現故障，應使用警告標準的獨立扭矩測量設備，例如扭矩扳手。**
- 使用夾子或其他可行的辦法將工件固定在穩定的平台上。用手扶住工件，或用身體抵住工件，都會讓工件處於不穩定的狀態，從而導致失控。
- 請佩戴護目鏡或其他護眼設備。錘擊和鑽孔操作會產生飛濺碎屑。飛濺顆粒會對眼睛造成永久損傷。
- 請勿長時間操作該工具。工具運行時產生的震動會對手和手臂造成傷害。請戴好手套以提供額外緩衝，同時多加休息，減少對振動的暴露。

- 在操作過程中，配件和工具會發熱。在觸碰配件和工具時，請戴好手套。

## 其他風險

即使執行了相關安全規定並採用安全設備，仍有一些無法避免的其他風險。它們是：

- 聽力受損。
- 飛濺顆粒造成的人身傷害風險。
- 配件在使用時發熱而導致的灼傷風險。
- 長時間使用工具而引起的人身傷害風險。

## 請妥善保管好這些說明

### 電池類型

運行以下工具需要18 (最大20伏特) 伏特的電池組：DCF870  
參見電池/充電器手冊，了解更多資訊。

## 包裝內的物品

包裝內的物品包括：

- 1 衝擊起子
- 1 充電器 (N和NT版本不提供)
- 1 磁性夾頭
- 1 皮帶鉤
- 1 工具箱 (T版本提供)
- 1 Tool Connect™ 應用程序使用說明 (B型號)  
鋰電池組 (N和NT版本不包含)
- 1 本說明手冊

**注意：**N型號不包含電池組、充電器和工具箱NT型號不包含電池組和充電器B型號包含Bluetooth®電池組。

**注意：**Bluetooth®的字樣和徽標是歸Bluetooth®, SIG公司所有的註冊商標。DeWALT對該商標的任何使用均已獲得該公司的許可。其他商標和商標名稱均歸屬於各自的所有者。

- 檢查工具、部件或配件是否在運輸過程中損壞。
- 操作前，請先仔細閱讀本說明書並理解其中的內容。

## 工具上的標記

工具有以下圖像：



請在使用前閱讀使用手冊。



可見輻射。請勿直視燈光。

## 日期碼位置 (圖B)

產品日期碼 **16** 包含一個4位數年碼，之後是一個2位數週碼，再加上一個2位數出廠碼。

## 說明 (圖A)

**▲ 警告：**不得改裝本電動工具或其任何部件。否則可能造成人身傷害或工具損壞。

- 1 電池組
- 2 電池組釋放按鈕
- 3 變速觸發開關
- 4 正反轉切換按鈕

- 5 卡盤套環
- 6 1/4"(6.35mm)六角快速釋放卡環
- 7 調速器
- 8 工作燈
- 9 皮帶鉤
- 10 安裝螺釘
- 11 主手柄

## 設計用途

該衝擊扳手適用於專業衝擊擰緊應用。在將緊固件打入木材和金屬中時，本產品的衝擊功能十分有效。

請勿在潮濕或存在易燃液體或氣體的環境下使用本工具。

這該衝擊起子是專業電動工具。

請勿讓兒童接觸本工具。缺乏經驗的操作人員需要在接受監督的情況下才可使用该工具。

• **兒童和體弱者。**在沒有他人監督的情況下，兒童或體弱者不適合使用本工具。

• 本產品不適合體力、感官或智力不足以及缺乏經驗、知識或技能的人員(包括兒童)使用，除非一旁有能為他們的安全負責的監督人員。不得在無人監管的情況下讓兒童接觸本產品。

## 組裝與調整

**▲ 警告：為降低造成嚴重人身傷害的風險，在進行任何調整、拆卸/安裝附件或配件前，切記關閉工具並斷開工具電源。意外啟動可能會造成傷害。**

**▲ 警告：僅使用DeWALT電池和充電器。**

## 插入和取出工具上的電池組(圖B)

**注意：**請確保您的電池組**11**電量已充滿。

## 將電池組安裝到工具手柄中

1. 將電池組與工具手柄內的軌道對齊(圖B)。
2. 將電池組劃入手柄中，直到電池組被牢固地安裝在工具中，同時確保聽見鎖定到位的咔噠聲。

## 從工具中取出電池組

1. 按下釋放按鈕**2**，將電池組從工具握柄中慢慢拉出。
2. 將電池組插入充電器。

## 電池組電量計(圖B)

一些DeWALT電池組帶有一個包含三個綠色LED指示燈的電量計，用於指示電池組內的剩餘電量。

按下電量計按鈕不鬆開，即可啟動電量計**15**。三個綠色LED指示燈將以組合方式亮起，以指示剩餘電量。當電池內的電量低於可用限制時，電量計將不會亮起，電池將需要重新充電。

**注意：**電量計僅指示電池組的剩餘電量。它並不表示該工具的功能，且將根據產品組件、溫度和最終用戶的使用情況而有所不同。

## 快速釋放卡盤(圖A, D)

**▲ 警告：僅使用衝擊配件。非衝擊配件可能會破裂，造成危險。請在使用前檢查配件，確保配件上沒有裂痕。**

**注意：**快速釋放卡盤**6**接受1/4"六角配件。

請先將正反轉切換按鈕**4**置於鎖定(中央)位置，或取下電池組**11**，再更換配件。

**如需安裝配件，**請將配件插入到位。配件被鎖定位到(圖D)。

**如需取下配件，**請將卡盤套環**5**從工具前方拉出。取下配件(圖D)。

## 操作

### 使用說明

**▲ 警告：務必遵守安全指示和適用的規定。**

**▲ 警告：為降低造成嚴重人身傷害的風險，在進行任何調整、拆卸/安裝附件或配件前，切記關閉工具並斷開工具電源。意外啟動可能會造成傷害。**

### 正確的雙手放置位置(圖C)

**▲ 警告：為降低嚴重人身傷害的風險，請務必如圖所示，正確放置雙手。**

**▲ 警告：為降低造成嚴重人身傷害的風險，在預期有突然反作用力時務必握緊工具。**

正確放置雙手要求您一手握住主手柄**11**。

### 變速觸發開關和正反轉切換按鈕(圖A)

您可按壓和鬆開變速觸發開關，以此開啟和關閉工具**3**。越是用力按壓變速觸發開關，工具轉速就越快。您的工具配有制動裝置。當完全鬆開觸發開關，卡盤將停止。

正反轉切換按鈕**4**能夠控制工具轉向，同時它也是鎖定按鈕。

• 如需正向轉動(順時針)，請鬆開變速觸發開關，並按下工具右側的正反轉切換按鈕。

• 如需反向轉動(逆時針)，請按壓變速觸發開關，並按下工具左側的正反轉切換按鈕。

**注意：**正反轉切換按鈕的中間位置能夠將工具鎖定在關閉位置。如需改變控制按鈕的位置，務必鬆開觸發開關。

**注意：**不建議在不同的速度檔位上持續使用工具。這樣會損壞開關，應注意避免。

**注意：**在改變轉向後首次運行工具時，您可能會在啟動時聽見咔噠的聲響。這是正常情況，並非出現問題。

### 調速器(圖A, E)

**注意：**請勿在工具運行時改變轉速。在改變轉速前，請務必先讓工具完全停止。

您的工具帶有調速器**7**。您可在兩檔轉速中任選其一，提升多功能性。根據所需的最大轉速/扭矩選擇轉速，並用變速觸發開關控制工具轉速**3**。

	規格		
	模式	應用	RPM
模式1		低速	0-1100 正向轉動
			0-1100 反向轉動
模式2		高速	0-3000 正向轉動
			0-3000 反向轉動
模式3(20分鐘工作燈模式)		高速	0-3000 正向轉動
參見 <b>工作燈</b> 部分。			0-3000 反向轉動

1. 如需選擇模式1(低速設置)，請關閉工具並等其完全停止。將速度選擇器**7**滑動到最左側(工具前端遠離自己)。

2. 如需選擇模式2(高速設置)，請關閉工具並等其完全停止。將速度選擇器**7**滑動到中間位置。

3. 如需選擇模式3(20分鐘工作燈模式)(高速設置)，請關閉工具並等其完全停止。將速度選擇器**7**滑動到最右位置(工具前端遠離自己)。

**注意：**模式3 (20分鐘工作燈模式) 能夠提供與模式2相同的應用和RPM轉速。

若工具未能改變轉速，請確認速度選擇開關是否已在向前或向後的位置上吻合。

## 工作燈(圖A)

**▲ 小心：請勿直視工作燈。**可能會對雙眼造成嚴重傷害。卡盤套環 5 周圍有3個工作燈 8。當鬆開變速觸發開關 3，工作燈就會亮起。在低速模式下，變速觸發開關已被鬆開，工作燈將持續亮起20秒。若變速觸發開關仍被按壓，則工作燈將持續亮起。

## 20分鐘工作燈模式

模式3將激活工作燈。當您鬆開變速觸發開關後，工作燈將持續亮起20分鐘。

**▲ 警告：在使用工具的工作燈模式時，請勿直視燈光，也不要將鑽頭置於可能讓他人直視工作燈的位置。**可能會對雙眼造成嚴重傷害。

**▲ 小心：**在使用工具的工作燈模式時，請將工具固定在平穩的表面上，確保不存在踢絆或掉落的危險。

**▲ 小心：**如需在工作燈模式下使用鑽頭，請先從卡盤上取下所有配件。可能會導致人身傷害或財產損失。

## 使用(圖A)

**▲ 小心：**請確保緊固件和/或系統能夠承受工具產生的扭矩。扭矩過大會導致斷裂並可能導致人員受傷。

1. 請將配件置於緊固件的頭部。請讓工具始終直指緊固件。
2. 如需開始運轉，請按壓變速觸發開關 3。如需停止運轉，請鬆開變速觸發開關。

務必使用扭矩扳手檢查扭矩，因為緊固扭矩會受到很多因素的影響，其中包括：

- **電壓：**低電壓(電量幾乎耗盡)會降低緊固扭矩。
- **配件尺寸：**未能使用正確的配件尺寸會降低緊固扭矩。
- **螺栓尺寸：**更大的螺栓直徑一般要求更大的緊固扭矩。緊固扭矩也會根據長度、級別和扭矩係數而相應變化。
- **螺栓：**確保所有螺紋均無鏽蝕和其他碎屑，確保適當的緊固扭矩。
- **材料：**材料類型和材料表面的飾面效果也會影響緊固扭矩。
- **緊固時間：**更長的緊固時間會增加緊固扭矩。若緊固時間超過建議時長，會到時緊固件受到過大壓力、滑牙或受損。

## 維護

您的電動工具只需簡單保養，即可長期使用。如需持續獲得滿意的操作效果，需進行正確的工具維護和定期的清潔。

**▲ 警告：為降低造成嚴重人身傷害的風險，在進行任何調整、拆卸/安裝附件或配件前，切記關閉工具並斷開工具電源。**意外啟動可能會造成傷害。

充電器和電池組是不可維修的。

## 潤滑

您的電動工具無需額外潤滑。

## 清潔

**▲ 警告：**觸電和機械危害請先切斷設備電源，再進行清潔。

**▲ 警告：**為確保操作安全、高效，請務必保持電動設備和通風槽的清潔。

**▲ 警告：**不得使用溶劑或其他刺激性化學品來清潔工具的非金屬部件。化學品可能會削弱製造零部件所用的材料。僅使用蘸水濕布和溫和的肥皂擦拭。不得讓任何液體滲入工具；不得將工具的任何部件浸沒在液體中。

可使用乾燥、柔軟的非金屬刷和/或恰當的吸塵器清潔器來清潔通風槽。請勿使用水或任何清潔劑。請佩戴獲得批准的護目鏡和防塵面具。

## 可選配件

**▲ 警告：**除了DeWALT提供的配件之外，其他配件都未接受過此產品的兼容性測試。若將此類配件與本產品搭配使用，將存在安全隱患。為降低人身傷害風險，本產品只可使用DeWALT推薦的配件。請諮詢您的經銷商，了解更多關於合適配件的信息。

## 衝擊配件

**▲ 警告：**僅使用衝擊配件。非衝擊配件可能會破損，造成危險。請在使用前檢查配件，確保配件上沒有裂痕。

## 皮帶鉤(圖A)

**▲ 警告：掉落危險。為降低嚴重人身傷害的風險，請勿在高處使用工具時，用皮帶鉤將工具係在或固定在人員身上或物體上。**

**▲ 警告：為降低嚴重人身傷害的風險，請勿將工具懸吊於頭頂上方，或將物體懸掛在皮帶鉤上。僅將工具的皮帶鉤掛在工作皮帶上。**

**▲ 警告：為降低嚴重人身傷害的風險，請確保固定皮帶鉤的螺釘足夠牢固。**

**注意：**在安裝了可掛繩連接套件後，無法使用鑽頭夾和皮帶鉤。

**重要：**在安裝或更換皮帶鉤時，僅使用隨工具提供的螺釘 10。請確保將螺釘擰緊。

可將皮帶鉤 9 安裝在工具的任何一側，以便慣用左手或右手的用戶使用。安裝時，僅使用隨工具提供的螺釘 10。如果無需皮帶鉤，可將其從工具上拆除。

如需拆除皮帶鉤，先擰下固定螺釘，再將其安裝在相反的一側。請確保將螺釘擰緊。

## 保護環境



分類回收。帶有此標誌的產品和電池必須與一般家庭廢物分開處置。

產品和電池包含可重複使用或回收的材料，可降低對原材料的需求。請根據當地法規回收電氣產品和電池。更多資訊，請造訪[www.2helpU.com](http://www.2helpU.com)。

## 可充電的電池組

本電池組使用壽命長，若無法為以前輕鬆完成的工作提供充足電力，必須更換電池組。在使用壽命結束時，請妥善處置以保護我們的環境：

- 使電池完全放電，然後將它從工具中卸下。
- 鋰離子電池是可回收的。請將它們送往您的代理商或當地的回收站。所收集的電池組將會再循環利用或妥善處置。

## 售後服務和維修

DEWALT維修中心擁有經過培訓的人員，能夠為顧客提供充分、可靠的产品服務。如果您通過未獲授權的維修中心進行維修，我們不會承擔任何責任。您可以致電台灣授權維修中心 02-2999-4633。

進口商: 新加坡商百得電動工具(股)公司台灣分公司

地址: 台北市士林區德行西路33號2樓

電話: 02-2834-1741

總經銷商: 永安實業股份有限公司

地址: 新北市三重區新北大道二段137號

電話: 02-2999-4633



# 유압식 임팩트 드라이버 DCF870



**경고:** 원래 공구 매뉴얼나 별도의 배터리 및 충전기 매뉴얼에 제공된 배터리의 및 충전기 섹션을 포함하여 이 매뉴얼의 모든 안전 경고, 지침, 그림 및 사양을 읽으십시오. 매뉴얼은 고객 서비스에 문의하여 얻을 수 있습니다. (본 매뉴얼 뒷면 참조).



## 기술 데이터

		DCF870	
전압	V <sub>oc</sub>	18V (20V MAX)	
배터리 유형		리튬 이온	
전원 출력	W	500	
무부하 속도			
모드 1	rpm	0-1100	
모드 2	rpm	0-3000	
모드 3 (20분 작업 등 모드 포함)	rpm	0-3000	
최대 토크	Nm	56	
공구 홀더	mm	6.35	
무게 (배터리 팩 제외)	kg	1.0	



**경고:** 부상 위험을 줄이려면 사용 설명서를 읽으십시오.

## 정의: 안전 지침

다음 정의는 각 경고 문구의 심각도를 설명합니다. 사용 설명서를 읽고 다음 기호들에 유의하십시오.

▲ **위험:** 심각한 위험 상태를 나타내며, 방지하지 않으면, 사망 또는 심각한 부상을 초래합니다.

▲ **경고:** 잠재적 위험 상태를 나타내며, 방지하지 않으면 사망 또는 심각한 부상을 초래할 수 있습니다.

▲ **주의:** 잠재적으로 위험한 상태를 나타내며, 방지하지 않으면 경미하거나 가벼운 부상을 초래할 수 있습니다.

참고: 신체 부상을 초래하지 않는 행위를 나타내며 방지하지 않으면 재산상의 손해가 발생할 수 있습니다.

▲ 감전 위험을 나타냅니다.

▲ 화재 위험을 나타냅니다.

## 전동 공구에 관한 일반 안전 경고

▲ **경고:** 이 전동 공구와 함께 제공되는 모든 안전 경고와 지시사항, 설명 및 사양을 읽으십시오. 아래 나열된 모든 지침을 따르지 않으면 감전, 화재 및 / 또는 심각한 부상을 입을 수 있습니다.

## 향후 참고할 수 있도록 모든 경고 및 지시 사항을 보관해두십시오

경고에서 사용되는 "전동 공구" 라는 용어는 주 공급 전원에 의해 전기가 공급되는 (유선) 전동 공구 또는 충전식 (무선) 전동 공구를 의미합니다.

### 1) 작업장 안전

- a) 작업장을 항상 청결하고 밝게 유지하십시오. 혼잡하거나 어두운 작업장에서는 사고가 발생하기 쉽습니다.
- b) 가연성 액체, 가스 또는 먼지 등이 있는 폭발성 대기에서 전동 공구를 사용하지 마십시오. 전동 공구에서 먼지나 가스를 발화시킬 수 있는 불꽃이 될 수 있습니다.

c) 전동 공구로 작업하는 동안에는 어린이와 주변 사람들이 작업 영역에 가까이 들어오지 못하도록 하십시오. 주변이 산만해져 통제력을 잃을 수 있습니다.

### 2) 전기 안전

- a) 전동공구의 플러그는 콘센트와 형식이 일치해야 하며, 플러그를 어떤 형태로든 개조하지 마십시오. 또한 절지된 전동공구에 다른 어댑터 플러그를 사용하지 마십시오. 개조되지 않은 플러그 및 형식이 일치하는 콘센트를 사용하면 감전 위험이 줄어듭니다.
- b) 파이프 판, 라디에이터, 랜지, 냉장고 등의 절지 표면에 물이 닿지 않도록 하십시오. 몸에 닿을 경우 감전이 될 위험이 높아집니다.
- c) 전동 공구를 비 또는 습한 환경에 노출하지 않도록 주의하십시오. 전동 공구에 물이 들어가면 감전 위험이 높아집니다.
- d) 코드를 함부로 다루지 마십시오. 코드를 사용하여 전동공구를 운반하거나, 코드를 과도하게 잡아당겨서 플러그를 뽑지 않도록 주의하십시오. 전열코드가 열기 또는 오일과 접촉되는 것을 피하고, 날카로운 모서리 또는 기기의 기동 부위에 닿지 않도록 주의하십시오. 코드가 손상되거나 얽혀 있으면 감전 위험이 높아집니다.
- e) 전동 공구를 실외에서 사용할 때는 실외 사용에 적합한 연장 코드를 사용하십시오. 실외 사용에 적합한 코드를 사용하면 감전 위험이 줄어듭니다.
- f) 전동공구를 습한 공간에서 사용할 경우, 반드시 누전 차단기를 사용하십시오. 누전 차단기 (RCD) 를 사용하면 감전의 위험이 줄어듭니다. RCD 를 사용하면 감전 위험이 줄어듭니다.

### 3) 신체 안전 사항

- a) 전동 공구로 작업할 때는 방심하지 말고 작업에 주의하면서 상식에 따르십시오. 피곤한 상태이거나 약물, 술, 치료제를 복용한 상태에서는 전동 공구를 사용하지 마십시오. 전동 공구를 사용하다 잠깐만 한 눈을 팔아도 심각한 부상을 당할 수 있습니다.
- b) 신체 보호 장비를 착용하십시오. 항상 보안경을 착용하십시오. 적합한 상황에서 방진 마스크, 미끄럼 방지 안전화, 안전모 또는 청력 보호 기구 등의 보호 장비를 사용하면 신체 부상 위험이 줄어듭니다.
- c) 의도하지 않은 장비 가동 방지. 전원 및/또는 배터리 팩에 연결하거나 공구를 들거나 운반하기 전에 스위치가 꺼진 위치에 있는지 확인하십시오. 스위치가 켜진 위치에 있는 상태에서 스위치에 손가락이 닿은 상태로 전동 공구를 운반하거나 전동 공구에 전원을 공급하면 사고가 발생합니다.
- d) 전동 공구를 켜기 전에 모든 조정 키 또는 렌치를 제거하십시오. 전동 공구의 회전 부품에 렌치나 키가 부착되어 있으면 부상을 당할 수 있습니다.
- e) 무리하게 팔을 뻗지 마십시오. 항상 올바른 자세로 서서 균형을 유지하십시오. 안정된 자세로 작업을 할 경우 전동 공구를 안전하게 사용할 수 있습니다.
- f) 절한 의복을 착용하십시오. 헐렁한 옷이나 장신구를 착용하지 마십시오. 머리카락과 옷이 움직이는 부품에 닿지 않도록 주의하십시오. 헐렁한 옷, 장신구 또는 긴 머리카락이 움직이는 부품에 걸 수 있습니다.
- g) 먼지 배출 및 집진 시설 연결을 위한 장치가 제공된 경우, 이를 장치가 연결되어 적절히 사용되고 있는지 반드시 확인하십시오. 집진 장치를 사용하면 먼지와 관련된 위험을 줄일 수 있습니다.

h) 장치를 자주 사용함으로써 생긴 익숙함으로 인해 현실에 안주하거나 공구 안전 원칙을 무시하지 않도록 하십시오. 부주의한 작동은 순식간에 심각한 부상을 야기할 수 있습니다.

#### 4) 전동 공구 사용 및 관리

- 전동 공구에 무리한 힘을 가하지 마십시오. 해당 용도에 맞는 올바른 전동 공구를 사용하십시오. 올바른 전동 공구를 사용해야 설계된 속도로 작업을 더욱 안전하고 정확하게 수행할 수 있습니다.
- 켜지지 않거나 꺼지지 않는 경우 전동 공구를 사용하지 마십시오. 스위치로 제어되지 않는 전동 공구는 위험하므로 수리해야 합니다.
- 전동 공구를 조정하거나 액세서리를 변경하거나 보관하기 전에 전동 공구에서 분리되는 경우 전원에서 플러그를 뽑거나 또는 배터리 팩을 분리하십시오. 이러한 예방적 안전 조치를 따라야 전동 공구가 갑자기 작동할 위험이 줄어듭니다.
- 사용하지 않는 전동 공구는 어린이의 손이 닿지 않는 곳에 보관하고, 전동 공구나 본 지시 사항에 익숙하지 않은 사람이 전동 공구를 절대 사용하지 못하게 하십시오. 전동 공구는 훈련을 받지 않은 사용자가 다루면 위험합니다.
- 전동 공구 및 액세서리 유지 보수. 움직이는 부품의 잘못된 정렬이나 바인딩, 부품 파손 및 기타 전동 공구의 작동에 영향을 미칠 수 있는 기타 모든 상태를 확인하십시오. 손상된 부분이 있는 경우 사용하기 전에 전동 공구를 수리하십시오. 많은 사고는 전동 공구를 제대로 유지 보수하지 않아 발생합니다.
- 공구를 깨끗한 상태로 유지하십시오. 절삭 가장자리를 예리하게 잘 유지하면 절삭기를 사용할 때 바인딩이 적고 다루기가 용이합니다.
- 작업 환경과 수행할 작업을 고려하여, 본 지시 사항에 따라 전동 공구, 액세서리 및 볼 비트 등을 사용하십시오. 본 사용 설명서의 내용과 다른 용도로 전동 공구를 사용하면 위험한 상황이 발생할 수 있습니다.
- 핸들과 잡는 표면은 건조하고 깨끗한 상태를 유지하고 오일/기름이 묻지 않도록 하십시오. 미끄러운 핸들과 잡는 면은 예기치 못한 상황에서 안전한 취급과 공구 관리를 보장하지 않습니다.

#### 5) 배터리 공구 사용 및 주의 사항

- 다시 충전할 때는 제조업체에서 지정한 충전기만 사용하십시오. 하나의 배터리 팩 유형에 적합한 충전기를 다른 배터리 팩과 함께 사용할 경우 화재의 위험이 있습니다.
- 전동 공구를 사용할 때는 구체적으로 지정되어 있는 배터리의 팩만 사용하십시오. 다른 배터리 팩을 사용하면 부상을 입거나 화재의 위험이 있습니다.
- 배터리 팩을 사용하지 않을 때에는 클립, 동전, 키, 못, 나사 등의 금속 물체나, 단자 간에 연결할 수 있는 작은 금속 물체가 닿지 않도록 멀리 두십시오. 배터리 단자가 단락되면 화상을 입거나 화재의 위험이 있습니다.
- 배터리를 과다 사용하면 액체가 배터리에서 흘러 나올 수 있으므로, 접촉을 피하십시오. 실수로 접촉한 경우에는 물로 씻으십시오. 액체가 눈에 들어간 경우 치료를 받으십시오. 배터리에서 나온 액체는 통증을 유발하거나 화상을 입힐 수 있습니다.
- 손상되거나 변경된 배터리 팩 또는 공구를 사용하지 마십시오. 손상되거나 개조된 배터리는 예측할 수 없는 작용을 보여, 화재, 폭발 또는 부상 위험을 야기할 수 있습니다.
- 배터리 팩 또는 공구를 불이나 과도한 온도에 노출하지 마십시오. 불 또는 130°C 이상의 온도에 노출되면 폭발할 수 있습니다.

g) 모든 충전 지침을 따르고 배터리 팩 또는 공구를 설명서에 지정된 범위 밖의 온도에서 충전하지 마십시오. 적절하지 않게 충전하거나 지정된 범위 밖의 온도에서 충전하면 배터리가 손상되어 화재 위험이 증가될 수 있습니다.

#### 6) 정비

- 자격을 갖춘 기술자가 동일 교체 부품을 사용하여 정비 작업을 수행해야 합니다. 그래야 전동 공구의 안전이 보장됩니다.
- 손상된 배터리 팩을 정비하지 마십시오. 배터리 팩은 제조업체 또는 공인 서비스 공급업체를 통해서만 점검을 받아야 합니다.

#### 임팩트 렌치 / 드라이버 안전 경고- 모든 작업

- 패스너가 숨겨진 배선에 닿을 수 있는 작업을 수행할 때 절緣된 손잡이 표면으로 전동 공구를 잡으십시오. "전기가 통하는" 전선과 접촉하는 패스너는 전동 공구의 노출 된 금속 부분을 통해 작업자가 감전될 수 있습니다.
- 사용시 귀마개를 착용하십시오. 소음에 노출되면 청력이 손상될 수 있습니다.
- ▲ 경고: 임팩트 렌치는 토크 렌치가 아닙니다. 패스너를 지정된 토크로 조일 때 이 공구를 사용하지 마십시오.** 토크 렌치와 같은 독립적이고 보정된 토크 측정 장치는 조임쇠가 과도하게 조이거나 조인트가 고정될 수 있는 경우 사용해야 합니다.
- 클램프 또는 기타 실용적인 방법을 사용하여 공작물을 안정된 플랫폼에 고정하고 지지하십시오. 공작물을 손이나 몸에 대는 것은 불안정하고 통제력을 상실할 수 있습니다.
- 고글 또는 기타 보안경을 착용하십시오. 해머링 및 드릴링 작업으로 인해 칩이 날아갑니다. 날아다니는 입자는 눈에 영구적인 인 손상을 줄 수 있습니다.
- 이 공구를 장시간 사용하지 마십시오. 공구 작동으로 인한 진동은 손과 팔에 해로울 수 있습니다. 장갑을 사용하여 여분의 쿠션을 제공하고 자주 휴식을 취하여 노출을 제한하십시오.
- 작동 중에는 액세서리와 공구가 뜨거워집니다. 만질 때 장갑을 끼십시오.

#### 잔류 위험

관련된 안전 규정을 준수하고 안전 장치를 사용한다고 해도 특정한 위험은 피할 수 없습니다. 이러한 위험은 다음과 같습니다.

- 청각 장애.
- 파편 날림으로 인한 신체 부상 위험.
- 작업 중 뜨거워지는 액세서리로 인한 화상 위험.
- 장기간 사용으로 인한 부상 위험.

#### 본 지침을 잘 보관해 두십시오

#### 배터리 유형

본 제품은 18V (20V MAX) 배터리 팩에서 작동합니다. 자세한 내용은 배터리/충전기 설명서를 참조하십시오.

#### 포장 내용물

포장에는 다음 내용물이 들어 있습니다.

- 임팩트 드라이버
- 충전기 (N 및 NT 버전에는 포함되지 않음)
- 자석 비트 홀더
- 벨트 후크



1 키트박스 1개 (T 버전에 포함)

리튬 이온 배터리 팩 (N 및 NT 버전에는 포함되지 않음)

1 사용 설명서

**참고:** 배터리 팩, 충전기 및 키트 박스는 N 모델에 포함되어 있지 않습니다. 배터리 팩과 충전기는 NT 모델에 포함되어 있지 않습니다. B 모델에는 Bluetooth® 배터리 팩이 포함됩니다.

**참고:** Bluetooth® 워드 마크 및 로고는 Bluetooth®, SIG, Inc.가 소유한 등록 상표이며 DeWALT 는 라이선스 하에 이러한 마크를 사용합니다. 기타 상표 및 상호는 해당 소유자의 상표입니다.

• **운반 중에 발생할 수 있는 공구, 부품 또는 액세서리의 손상 여부를 확인하십시오.**

• **작동 전에 시간을 내어 본 사용 설명서를 읽고 숙지하십시오.**

## 공구에 표시된 마크

공구에는 다음과 같은 그림이 있습니다.



사용 전에 사용 설명서의 내용을 숙지하십시오.



가시 광선, 빛을 응시하지 마십시오.

## 날짜 코드 위치 (그림 B)

생산 날짜 코드는 **16** 4 자리 연도와 2 자리 주로 구성되며 2 자리 공장 코드로 확장됩니다.

## 설명 (그림 A)

**▲ 경고:** 전동 공구 또는 전동 공구의 어떤 부품도 절대 개조하지 마십시오. 제품이 파손되거나 신체 부상을 당할 수도 있습니다.

- 1 배터리 팩
- 2 배터리 팩 해제 버튼
- 3 가변 속도 트리거
- 4 정 회전 / 역 회전 제어 버튼
- 5 척 칼라
- 6 1/4(6.35mm) 육각 킥 릴리스 척
- 7 속도 선택기
- 8 작업 등
- 9 벨트 후크
- 10 장착 나사
- 11 메인 핸들

## 용도

이 임팩트 드라이버는 전문적인 임팩트 스크루드라이빙 애플리케이션을 위해 설계되었습니다. 충격 기능으로 인해 이 공구는 목재, 금속에서 패스너를 구동하는 데 특히 유용합니다.

**절대로** 습한 환경이나 가연성 액체 또는 가스가 있는 곳에서 사용하지 마십시오.

이 임팩트 드라이버는 전문적인 전동 도구입니다.

어린이가 이 공구를 만지지 않도록 하십시오. 경험이 없는 작업자가 이 공구를 사용할 때는 감독자의 지도가 필요합니다.

• **어린이 및 노약자.** 본 제품은 어린이나 노약자가 사용하도록 설계되지 않았습니다. 이러한 사람이 사용할 때는 감독이 필요합니다.


• 이 제품은 안전을 책임지는 사람이 감독하지 않는 한 경험, 지식 또는 기술이 부족한 자, 신체적, 감각적 또는 정신적 능력이 저하된 사람 (어린이 포함) 이 사용할 수 없습니다. 이 제품과 함께 어린이만 혼자 두어서는 안됩니다.

## 조립 및 조정

**▲ 경고: 심각한 부상의 위험을 줄이려면 조정을 하거나 부착물 또는 액세서리를 제거/설치하기 전에 도구를 끄고배터리 팩을 분리하십시오.** 공구가 갑자기 작동하여 부상을 당할 수 있습니다.

**▲ 경고:** DeWALT 배 터리와 충전기만 사용하십시오.

## 공구에서 배터리 팩 삽입 및 제거 (그림 B)

**참고:** 배터리 팩이 완전히 충전되었는지  확인하십시오.

### 배터리 팩을 공구 핸들에 설치하려면

1. 배터리 팩을 공구 손잡이 안쪽의 레일에 맞춥니다 (그림 B).
2. 공구에 배터리 팩이 견고하게 장착될 때까지 핸들에 밀어 넣고 딸깍하고 잠기는 소리가 들리는지 확인하십시오.

### 공구에서 배터리 팩을 분리하려면

1. 배터리 분리 버튼을 누르고 **2** 배터리 분리 버튼을 누르고.
2. 배터리 팩을 충전기에 삽입합니다.

## 연료 게이지 배터리 팩 (그림 B)

일부 DeWALT 배터리 팩에는 배터리 팩에 남아 있는 충전 수준을 나타내는 3 개의 녹색 LED 표시등으로 구성된 연료 게이지가 있습니다.

연료 게이지를 작동하려면 연료 게이지 버튼 **15**을 길게 누릅니다. 녹색 LED 표시등 3 개가 조합되어 켜짐으로써 충전 잔량 수준을 나타냅니다. 배터리 잔량이 사용 가능한 한계치 미만이면 배터리 잔량 표시계가 켜지지 않으므로 배터리를 재충전해야 합니다.

**참고:** 잔량표시계는 배터리 팩에 남아 있는 충전 레벨을 나타내는 것일 뿐입니다. 공구의 기능성을 나타내는 것이 아니며 제품 구성품, 온도 및 최종 사용자의 용도에 따라 변경될 수 있습니다.

## 킥 릴리스 척 (그림 A, D)

**▲ 경고: 임팩트 액세서리만 사용하십시오.** 충격이 없는 액세서리는 파손되어 위험한 상태를 유발할 수 있습니다. 사용하기 전에 액세서리를 검사하여 균열이 없는지 확인하십시오.

**참고:** 킥 릴리스 척 **6**에는 1/4 인치 육각 액세서리를 사용할 수 있습니다.

전진/후진 제어 버튼 **4**을 잠금 해제 (중요) 위치에 놓고 액세서리를 교체하기 전에 배터리 팩 **1**을 제거하십시오.

**액세서리를 설치하려면** 액세서리를 완전히 삽입하십시오. 액세서리가 제자리에 고정되어 있습니다 (그림 D).

**액세서리를 제거하려면** 척 칼라 **5**를 공구 앞쪽에서 당겨 빼십시오. 액세서리를 제거합니다 (그림 D).

## 사용법

### 사용 지침

**▲ 경고: 항상 안전 지시 사항과 해당 규정을 준수하십시오.**

**▲ 경고: 심각한 부상의 위험을 줄이려면 조정을 하거나 부착물 또는 액세서리를 제거/설치하기 전에 도구를 끄고배터리 팩을 분리하십시오.** 공구가 갑자기 작동하여 부상을 당할 수 있습니다.

### 올바른 손 위치(그림 C)

**▲ 경고: 심각한 신체 부상의 위험을 줄이려면 항상 그림과 같이 올바르게 손을 위치하십시오.**

**▲ 경고:** 심각한 신체 부상의 위험을 줄이려면 항상 갑작스러운 반동을 예상하고 확실하게 잡으십시오.

올바른 손 위치를 지정하려면 한 손으로 메인 핸들 **(11)**을 잡아야 합니다.

## 가변 속도 트리거 및 정방향 / 역방향 제어 버튼 (그림 A)

가변 속도 트리거 **3**를 당겼다 놓으면 도구가 켜지거나 꺼집니다. 가변 속도 트리거를 더 많이 누를수록 공구 속도가 높아집니다. 공구에는 브레이크가 장착되어 있습니다. 가변 트리거가 완전히 해제되는 즉시 적이 중지됩니다.

정 회전/역 회전 제어 버튼 **4**은 공구의 방향을 결정하고 잠금 버튼 역할도 합니다.

• 정방향 회전 (시계 방향)을 선택하려면 가변 속도 트리거를 놓고 도구 오른쪽에 있는 정방향/역방향 제어 버튼을 누릅니다.

• 역방향 (시계 반대 방향)을 선택하려면 공구 왼쪽에 있는 정회전/역회전 제어 버튼을 누릅니다.

**참고:** 정방향/역방향 제어 버튼이 중앙 위치에 있으면 공구가 꺼짐 위치에 고정됩니다. 제어 버튼의 위치를 변경할 때 트리거를 놓아야 합니다.

**참고:** 가변 속도 범위에서 연속 사용은 권장하지 않습니다. 트리거 스위치가 손상될 수 있으므로 피해야 합니다.

**참고:** 회전 방향을 변경한 후 공구를 처음 실행하면 시작 시 딸깍하는 소리가 들릴 수 있습니다. 이는 정상적인 현상이며 문제가 있는 것은 아닙니다.

## 속도 선택기 (그림 A, E)

**참고:** 공구가 실행되는 동안 속도를 변경하지 마십시오. 속도를 변경하기 전에 항상 공구가 완전히 정지하도록 하십시오.

공구에는 더 다양한 활용성을 위해 두 가지 속도 중 하나를 선택할 수 있는 속도 선택기 **7**가 장착되어 있습니다. 필요한 최대 속도/토크를 기준으로 속도를 선택하고 가변 속도 트리거 **3**를 사용하여 공구의 속도를 제어합니다.

모드	명세서	
	어플리케이션	RPM
모드 1	저속 임팩팅	0~ 1100 정방향 0~ 1100 역방향
모드 2	고속 임팩팅	0~ 3000 정방향 0~ 3000 역방향
모드 3 (20분 작업등 모드) 작업등 색선을 참조하십시오.	고속 임팩팅	0~ 3000 정방향 0~ 3000 역방향

1. 모드 1 (저속 설정)을 선택하려면 공구를 끄고 멈추도록 하십시오. 속도 선택기 **7**를 맨 왼쪽으로 밀니다 (공구 앞면이 바깥쪽을 향함).

2. 모드 2 (고속 설정)을 선택하려면 공구를 끄고 정지시키십시오. 속도 선택기 **7**를 중앙 위치로 밀니다.

3. 모드 3 (20분 작업등 모드) (고속 설정)을 선택하려면 공구를 끄고 멈추도록 하십시오. 속도 선택기 **7**를 맨 오른쪽으로 밀니다 (공구 앞면이 바깥쪽을 향함).

**참고:** 모드 3 (20분 작업등 모드)은 모드 2와 동일한 적용 및 RPM 속도를 제공합니다.

공구의 속도가 변경되지 않으면 속도 선택 스위치가 전진 또는 후진 위치에 완전히 맞물려 있는지 확인하십시오.

## 작업등 (그림 A)

**▲ 주의:** 작업등을 응시하지 마십시오. 심각한 눈 부상을 입을 수 있습니다.

척 칼라 **8** 주위에 세 개의 작업등 **5**이 있습니다. 가변 속도 트리거 **3**를 누르면 작업등이 활성화됩니다. 저속 모드에서는 가변 속도 트리거를 놓으면 작업등이 최대 20 초 동안 켜진 상태로 유지됩니다. 가변 속도 트리거 스위치를 계속 누르고 있으면 작업등이 계속 켜져 있습니다.

## 20 분 작업등 모드

모드 3은 공구의 작업등을 활성화합니다. 작업등은 가변 속도 트리거가 해제된 후 20 분 동안 작동됩니다.

**▲ 경고:** 작업등 모드에서 공구를 사용하는 동안 빛을 응시하거나 누군가가 빛을 응시할 수 있는 위치에 드릴을 놓지 마십시오. 심각한 눈 부상을 입을 수 있습니다.

**▲ 주의:** 빛을 응시하거나 누군가가 빛을 응시할 수 있는 위치에 드릴을 놓지 마십시오.

**▲ 주의:** 작업등 모드에서 드릴을 사용하기 전에 척에서 모든 액세서리를 제거하십시오. 부상이나 재산 피해가 발생할 수 있습니다.

## 사용법 (그림 A)

**▲ 주의:** 패스너 및/또는 시스템이 공구에서 발생하는 토크 수준을 견딜 수 있는지 확인하십시오. 과도한 토크는 파손 및 부상의 원인이 될 수 있습니다.

1. 패스너 헤드에 액세서리를 놓습니다. 공구가 패스너를 똑바로 가리키도록 하십시오.

2. 가변 속도 트리거 **3**를 눌러 작동을 시작합니다. 를 눌러 작동을 시작합니다.

조임 토크는 다음을 포함한 많은 요인의 영향을 받으므로 항상 토크 렌치로 토크를 확인하십시오.

- **전압:** 배터리가 거의 방전되어 전압이 낮으면 조임 토크가 감소합니다.

- **액세서리 크기:** 올바른 액세서리 크기를 사용하지 않으면 체결 토크가 감소합니다.

- **볼트 크기:** 더 큰 볼트 직경은 일반적으로 더 높은 조임 토크를 필요로 합니다. 조임 토크는 길이, 등급 및 토크 계수에 따라 달라집니다.

- **볼트:** 모든 나사산에 녹 및 기타 이물질이 없는지 확인하여 적절한 조임 토크를 허용합니다.

- **재료:** 재료의 유형과 재료의 표면 마감은 조임 토크에 영향을 미칩니다.

- **고정 시간:** 조임 시간이 길수록 조임 토크가 증가합니다. 권장 시간보다 더 긴 체결 시간을 사용하면 패스너에 과도한 응력이 가해지거나 벗겨지거나 손상될 수 있습니다.

## 유지 보수

전동 공구는 최소한의 유지보수로 장기간 작동하도록 설계되었습니다. 만족스러운 연속 작동은 적절한 공구 관리와 정기적인 청소에 따라 그 성능이 달라질 수 있습니다.

**▲ 경고:** 심각한 부상의 위험을 줄이려면 조정을 하거나 부착물 또는 액세서리를 제거/설치하기 전에 도구를 끄고 배터리 팩을 분리하십시오. 공구가 갑자기 작동하여 부상을 당할 수 있습니다. 충전기 및 배터리 팩은 수리할 수 없습니다.

## 윤활방법

전동 공구는 별도의 윤활 작업이 필요하지 않습니다.

## 청소

**▲ 경고:** 감전 및 기계적 위험. 청소하기 전에 전기 제품을 전원에서 분리하십시오.

**▲ 경고:** 안전하고 효율적인 작업을 위해 전기 제품과 환기구를 항상 깨끗하게 유지하십시오.

**▲ 경고:** 공구의 비금속성 부분을 청소할 때는 용제 등의 강력한 화학약품을 절대 사용하지 마십시오. 이러한 화학 물질은 이러한 부품에 사용된 재료를 악화시킬 수 있습니다. 물과 순한 비누로만 적신 천을 사용하십시오. 공구 내부에 액체를 넣거나 공구 부품을 액체에 담그는 행동은 절대 금물입니다.

통풍구는 건조하고 부드러운 비금속 브러시 및/또는 적합한 진공 청소기를 사용하여 청소할 수 있습니다. 물이나 세척제를 사용하지 마십시오. 승인된 보안경과 승인된 방진 마스크를 착용하십시오.

## 옵션 액세서리

**▲ 경고:** DEWALT 에서 제공하는 액세서리 이외의 액세서리는 이 제품에서 테스트되지 않았기 때문에 이러한 액세서리를 이 공구와 함께 사용하면 위험할 수 있습니다. 부상 위험을 줄이려면 이 제품과 함께 DEWALT 권장 액세서리만 사용해야 합니다.

해당 액세서리에 대한 자세한 정보는 판매 대리점으로 문의하십시오.

## 임팩트 액세서리

**▲ 경고:** 임팩트 액세서리만 사용하십시오. 비임팩트 액세서리는 파손되어 위험한 상태를 유발할 수 있습니다. 사용하기 전에 액세서리에 균열이 없는지 검사합니다.

## 벨트 후크 (그림 A)

**▲ 경고: 낙하 위험.** 심각한 부상의 위험을 줄이려면 사용 중에 고소 작업 구역에서 공구를 사람이나 물체에 묶거나 고정하기 위해 벨트 후크를 사용하지 마십시오.

**▲ 경고: 심각한 부상의 위험을 줄이려면 공구를 머리 위로 매달거나 벨트 후크에 물건을 매달지 마십시오. 작업 벨트에서 공구의 벨트 후크 만 걸으십시오.**

**▲ 경고: 심각한 부상의 위험을 줄이려면 벨트 후크를 고정하는 나사가 단단히 고정되었는지 확인하십시오.**

**참고:** 비트 클립과 벨트 후크는 렌아웃용 부착 키트가 설치된 상태에서는 사용할 수 없습니다.

**중요사항:** 벨트 후크를 부착하거나 교체할 때 제공된 나사 10 만 사용하십시오. 나사를 단단히 조이십시오.

원손잡이 또는 오른손잡이 사용자가 사용할 수 있도록 제공된 나사 10 만 사용하여 벨트 후크 9 를 공구의 양쪽에 부착할 수 있습니다. 후크가 전혀 필요하지 않은 경우 공구에서 제거 할 수 있습니다. 벨트 후크를 이동하려면 벨트 후크를 제자리에 고정하는 나사를 제거한 다음 반대쪽에 다시 조립합니다. 나사를 단단히 조이십시오.

## 환경 보호



분리 수거. 이 기호가 표시된 제품 및 배터리는 일반 가정 쓰레기와 함께 폐기해서는 안 됩니다.

제품과 배터리에는 재용되거나 재활용되고 고철 자원에 대한 수요를 줄일 수 있는 자재가 포함되어 있습니다.

전기 제품과 배터리는 지역 규정에 따라 재활용하십시오. 자세한 내용은 [www.2helpU.com](http://www.2helpU.com) 에서 찾아볼 수 있습니다.

## 충전용 배터리 팩

이전에 쉽게 수행했던 작업에 대해 충분한 힘을 발휘하지 못하는 배터리 팩은 재충전해야 합니다. 배터리 수명이 다하면 환경 보호 차원에서 배터리 팩을 폐기하십시오.

- 배터리 팩을 완전히 사용하고 난 후 공구에서 분리하십시오.
- 리튬이온 전지는 재활용할 수 있습니다. 이 전지를 판매점이나 지역 재활용 센터로 가져가십시오. 수집된 배터리 팩은 재활용되거나 적절히 폐기됩니다.

## 정비 및 수리

DEWALT 는 고객들에게 가장 효율적이고 신뢰할 수 있는 서비스를 제공하기 위하여 훈련된 직원들로 센터를 구성하고 있습니다. 사용자의 안전 및 제품의 신뢰성을 보장하기 위하여 제품의 정비, 유지 보수 및 수리는 반드시 공인된 서비스센터에서 수행해야 합니다. 자격이 없는 곳으로부터 받은 제품의 정비 및 수리는 사용자의 부상 위험 및 불이익을 초래할 수 있습니다. 가까운 DEWALT 서비스센터의 위치를 알아보려면, 제품과 함께 동봉된 전단을 통해 전화번호, 홈페이지 주소 및 기타 연락처 등을 확인할 수 있습니다. 기타 서비스 관련 문의 사항이 있으실 경우 스탠리블랙앤데커 고객센터 (1577-0933) 로 문의하십시오.

# ไขควงกระแทกไฮดรอลิก 20V MAX XR DCF870

**คำเตือน:** อ่านคำเตือนเพื่อความปลอดภัย คำแนะนำ ภาพประกอบ และข้อมูลจำเพาะทั้งหมดในคู่มือฉบับนี้รวมถึงหัวข้อแบตเตอรี่และที่ชาร์จที่อยู่ในคู่มือการใช้งานเครื่องมือต้นฉบับหรือคู่มือการใช้งานแบตเตอรี่และที่ชาร์จที่แยกต่างหาก คุณสามารถรับคู่มือได้โดยการติดต่อฝ่ายบริการลูกค้า (โปรดดูที่หน้าหลังของคู่มือฉบับนี้)

## ข้อมูลด้านเทคนิค

		DCF870
แรงดันไฟฟ้า	$V_{DC}$	18(20 Max)
ประเภทแบตเตอรี่		Li-Ion
กำลังไฟขาออก	W	500
ความเร็วรอบสูงสุด		
โหมด 1	rpm	0–1100
โหมด 2	rpm	0–3000
โหมด 3 พร้อมไฟส่องสว่าง 20 นาที	rpm	0–3000
แรงบิดสูงสุด	Nm	56
ขนาดหัวจับดอก	mm	6.35
น้ำหนัก (ไม่รวมแบตเตอรี่)	kg	1.0

**คำเตือน:** เพื่อลดความเสี่ยงจากการบาดเจ็บ โปรดอ่านคู่มือการใช้งานเล่มนี้

## คำจำกัดความ: ข้อแนะนำด้านความปลอดภัย

คำจำกัดความด้านล่างอธิบายถึงระดับความรุนแรงของ ความอันตรายที่ไว้เรียกสัญลักษณ์ต่างๆ โปรดอ่านคู่มือและใส่ใจกับสัญลักษณ์เหล่านี้

**⚠️ อันตราย:** หมายถึงสถานการณ์ที่ก่อให้เกิดอันตรายได้อย่างฉับพลัน ซึ่งหากไม่ระวังจะทำให้เสียชีวิตหรือได้รับบาดเจ็บสาหัสได้

**⚠️ คำเตือน:** หมายถึงสถานการณ์ที่มีแนวโน้มว่าจะก่อให้เกิดอันตราย ซึ่งหากไม่ระวังสามารถทำให้เกิดอันตรายถึงชีวิตหรือบาดเจ็บสาหัสได้

**⚠️ ข้อควรระวัง:** หมายถึงสถานการณ์ที่มีแนวโน้มว่าจะก่อให้เกิดอันตราย ซึ่งหากไม่ระวัง อาจทำให้ได้รับบาดเจ็บเล็กน้อยหรือปานกลาง

**⚠️ ข้อสังเกต:** หมายถึงการปฏิบัติที่ไม่เกี่ยวข้องกับการบาดเจ็บซึ่งหากไม่ระวังอาจทำให้ทรัพย์สินเสียหายได้

**⚠️** แสดงถึงความเสี่ยงจากการถูกไฟฟ้าช็อต

**⚠️** แสดงถึงอันตรายจากการเกิดเพลิงไหม้

## คำเตือนเพื่อความปลอดภัยทั่วไป สำหรับการใช้เครื่องมือไฟฟ้า

**⚠️ คำเตือน:** อ่านคำเตือนเพื่อความปลอดภัย คำแนะนำ ภาพประกอบ และข้อมูลจำเพาะทั้งหมด ซึ่งได้รับการจัดมาให้พร้อมกับเครื่องมือไฟฟ้า นี้ การไม่สามารถปฏิบัติตามคำแนะนำทั้งหมดซึ่งระบุไว้ที่ด้านล่างอาจทำให้เกิดไฟฟ้าดูด ไฟไหม้ และ/หรือการบาดเจ็บสาหัสได้

### จัดเก็บเอกสารคำเตือนและคำแนะนำทั้งหมดไว้เพื่อการอ้างอิงในภายหลัง

คำว่า "เครื่องมือไฟฟ้า" ในคำเตือน หมายถึง เครื่องมือไฟฟ้า (แบบมีสาย) ที่ทำงานผ่านแหล่งจ่ายไฟหลัก หรือ เครื่องมือไฟฟ้า (แบบไร้สาย) ที่ทำงานผ่านแบตเตอรี่

#### 1) ความปลอดภัยในบริเวณที่ทำงาน

- รักษาความสะอาดและจัดให้มีแสงสว่างเพียงพอในบริเวณที่ทำงาน บริเวณที่มีดหรือมีช่องว่าง ระเกะระกะอาจทำให้เกิดอุบัติเหตุได้
- ห้ามใช้เครื่องมือไฟฟ้าในบริเวณที่อาจเกิดการระเบิด เช่น ในสถานที่ที่มีของเหลว แก๊ส หรือฝุ่นละอองที่มีคุณสมบัติไวไฟ เครื่องมือไฟฟ้าจะทำให้เกิดประกายไฟที่อาจทำให้เกิดละอองไฟหรือเปลวไฟขึ้นได้
- ระวังไม่ให้เด็กเล็กและคนเดินผ่านไปมาเข้าใกล้ในขณะที่ใช้งานเครื่องมือไฟฟ้า สิ่งรบกวนอาจทำให้คุณเสียสมาธิได้

#### 2) ความปลอดภัยทางไฟฟ้า

- ปลั๊กไฟของเครื่องต้องเป็นชนิดเดียวกับตัวรับ ห้ามตัดแปลงปลั๊กไม่ว่าด้วยวิธีใด ห้ามใช้ปลั๊กอะแดปเตอร์ใดๆ กับเครื่องมือไฟฟ้าที่ต่อสายดิน (ลงกราวด์) ปลั๊กที่ไม่มีการตัดแปลงและตัวรับชนิดเดียวกันจะช่วยลดความเสี่ยงจากการเกิดไฟฟ้าช็อต
- หลีกเลี่ยงการสัมผัสพื้นผิวที่ต่อสายดินหรือลงกราวด์ เช่น ท่อ หมอน้ำ เตาหุงต้ม และตู้เย็น มีความเสี่ยงเพิ่มขึ้นที่จะเกิดไฟฟ้าช็อตหากร่างกายเป็นสื่อเชื่อมต่อลงดินหรือลงกราวด์
- อย่าให้เครื่องมือไฟฟ้าถูกฝนหรืออยู่ในสภาพที่เปียกชื้น น้ำที่เข้าเครื่องมือไฟฟ้าจะเพิ่มความเสี่ยงในการเกิดไฟฟ้าช็อต
- ห้ามใช้สายไฟผิดวัตถุประสงค์ ห้ามใช้สายไฟเพื่อการหิ้ว ดึง หรือถอดปลั๊กเครื่องมือไฟฟ้า เก็บสายไฟให้พ้นจากความร้อน น้ำมัน ของมีคม หรือ ชิ้นส่วนที่กำลังเคลื่อนที่ สายไฟที่ชำรุดหรือพันกันเป็นการเพิ่มความเสี่ยงจากการถูกไฟฟ้าช็อต

- e) เมื่อใช้เครื่องมือไฟฟ้านอกอาคาร ให้ใช้สายต่อพ่วงที่เหมาะสมสำหรับการใช้งานนอกอาคาร ใช้สายไฟที่เหมาะสมสำหรับใช้นอกอาคารจะช่วยลดความเสี่ยงต่อการเกิดไฟฟ้าช็อต
- f) หากไม่สามารถหลีกเลี่ยงการใช้เครื่องมือไฟฟ้าในบริเวณที่ชื้นและได้ ให้ใช้อุปกรณ์ป้องกันไฟดูด (RCD) การใช้ RCD จะช่วยลดความเสี่ยงในการถูกไฟฟ้าช็อต

### 3) ความปลอดภัยส่วนบุคคล

- a) ดิ้นตัวและมีสมาธิกับสิ่งที่คุกคามกำลังทำ รวมทั้งใช้สามัญสำนึกในขณะที่กำลังใช้งานเครื่องมือไฟฟ้า ห้ามใช้เครื่องมือไฟฟ้าในขณะที่คุณกำลังเหนื่อยหรือได้รับอิทธิพลจากยาแอลกอฮอล์ หรือการรักษามารยาบางอย่าง การขาดความระมัดระวังในการใช้เครื่องมือไฟฟ้าแม้ชั่วขณะหนึ่งอาจทำให้บาดเจ็บสาหัสได้
- b) ใช้อุปกรณ์คุ้มครองความปลอดภัยส่วนบุคคลสวมอุปกรณ์ป้องกันดวงตาเสมอ อุปกรณ์ป้องกัน เช่น หน้ากากกันฝุ่น รองเท้าที่รัดกุมกันสั่น หมวกนิรภัย หรืออุปกรณ์ป้องกันเสียงดังที่ใช้ในสภาวะที่เหมาะสมจะช่วยลดอาการบาดเจ็บทางร่างกาย
- c) ปิดกั้นเครื่องเปิดทำงานโดยไม่ตั้งใจ สวิตช์ต้องอยู่ในตำแหน่งปิดก่อนที่จะเสียบปลั๊กเข้ากับแหล่งจ่ายไฟ และ/หรือ ชุดแบตเตอรี่ หรือก่อนจะยกหรือหิ้วเครื่องมือ การยกเครื่องมือไฟฟ้าในขณะที่นิ้วอยู่ที่สวิตช์ หรือใช้เครื่องมือไฟฟ้าที่สวิตช์เปิดอยู่ อาจทำให้เกิดอุบัติเหตุได้
- d) ถอดกุญแจปรับตั้งหรือประแจออกก่อนเปิดสวิตช์เครื่องมือไฟฟ้า ประแจหรือกุญแจที่เสียบค้างอยู่ในชิ้นส่วนที่หมุนในของเครื่องมือไฟฟ้าอาจทำให้ได้รับบาดเจ็บได้
- e) ห้ามยืนเขย่งเท้าขณะใช้เครื่อง ควรยืนในท่าที่เหมาะสมและสมดุลตลอดเวลา เพื่อช่วยในการควบคุมเครื่องมือไฟฟ้าได้ดียิ่งขึ้นในสถานการณ์ที่ไม่คาดคิด
- f) แต่งกายให้เหมาะสม ห้ามสวมเสื้อผ้าหลวมหรือใส่เครื่องประดับ รวมผมและเสื้อผ้าให้ห่างจากชิ้นส่วนที่กำลังหมุน เสื้อผ้าที่หลวมหรือยาวรุ่มร่าม เครื่องประดับ หรือผมที่ยาวอาจเข้าไปพันกับชิ้นส่วนที่กำลังหมุน
- g) หากมีอุปกรณ์สำหรับดูดและเก็บฝุ่น ต้องตรวจสอบให้แน่ใจว่าได้เชื่อมต่อและใช้งานอุปกรณ์นั้นอย่างเหมาะสม การใช้อุปกรณ์เก็บฝุ่นจะช่วยลดอันตรายที่เกี่ยวข้องกับฝุ่นได้
- h) อย่าให้ความเคยชินจากการใช้งานทำให้คุณประมาทและละเลยการปฏิบัติตามหลักการเพื่อความปลอดภัย การใช้งานโดยไม่ระวังอาจทำให้เกิดการบาดเจ็บสาหัสได้ภายในเวลาเพียงเสี้ยววินาที

### 4) การใช้งานและการดูแลรักษาเครื่องมือไฟฟ้า

- a) ห้ามฝืนใช้เครื่องมือไฟฟ้า เลือกใช้เครื่องมือไฟฟ้าที่ถูกต้องตรงกับลักษณะการใช้งานของคุณ เครื่องมือไฟฟ้าที่ถูกต้องย่อมทำงานได้ดีกว่าและปลอดภัยกว่า เมื่อใช้งานตามพิกัดที่เครื่องมือได้รับการออกแบบมา
- b) ห้ามใช้เครื่องมือไฟฟ้าถ้าสวิตช์เปิดปิดเครื่องไม่ทำงาน เครื่องมือไฟฟ้าที่ไม่สามารถควบคุมผ่านสวิตช์ได้ ถือว่ามีอันตรายและต้องส่งซ่อม
- c) ถอดปลั๊กของเครื่องมือไฟฟ้าออกจากแหล่งจ่ายไฟ และ/หรือหากถอดแบตเตอรี่ได้ ให้ถอดแบตเตอรี่ออกก่อนทำการปรับแต่ง เปลี่ยนอุปกรณ์เสริม หรือจัดเก็บเครื่องมือไฟฟ้า มาตรการเพื่อความปลอดภัยเชิงการป้องกันนี้จะช่วยลดความเสี่ยงในการเผลอเปิดเครื่องไฟฟ้าให้ทำงานโดยไม่ตั้งใจ
- d) เก็บเครื่องมือไฟฟ้าที่ไม่ได้ใช้งานไว้ในพ้นมือเด็ก และไม่อนุญาตให้บุคคลที่ไม่คุ้นเคยกับเครื่องมือไฟฟ้าหรือคำแนะนำเหล่านี้เป็นผู้ใช้เครื่องมือ เครื่องมือไฟฟ้าจะเป็นอันตรายหากอยู่ในมือผู้ใช้ที่ไม่มีความชำนาญ
- e) บำรุงรักษาเครื่องมือไฟฟ้าและอุปกรณ์เสริมต่างๆ ตรวจสอบว่าชิ้นส่วนที่เคลื่อนที่ได้มีการวางไม่ตรงแนวหรือติดขัดหรือไม่ มีชิ้นส่วนที่แตกหัก และสภาพอื่นใดที่อาจส่งผลกระทบต่อการทำงานของเครื่องมือไฟฟ้าหรือไม่ หากชำรุดเสียหาย ให้นำเครื่องมือไปส่งซ่อมก่อนนำมาใช้อุบัติเหตุจำนวนมากเกิดจากการดูแลรักษาเครื่องมือไฟฟ้าไม่ดีพอ
- f) เครื่องมือตัดต้องคมและสะอาดอยู่เสมอ เครื่องมือตัดที่ได้รับการดูแลรักษาอย่างถูกต้องและมีขอบตัดคม จะมีปัญหาติดขัดน้อย และควบคุมได้ง่ายกว่า
- g) ใช้เครื่องมือไฟฟ้า อุปกรณ์เสริม และดอกสว่านของเครื่องมือ เป็นต้น ให้ตรงตามข้อปฏิบัติเหล่านี้ โดยพิจารณาถึงสภาพการทำงานและงานที่ทำงานเป็นสิ่งสำคัญ การใช้เครื่องมือไฟฟ้าทำงานอื่นนอกเหนือจากที่กำหนดไว้อาจทำให้เกิดอันตรายได้
- h) หมั่นดูแลให้มีจับและพื้นผิวที่จับนั้นแห้งสะอาด ปราศจากน้ำมันและจาระบี มือจับและผิวสัมผัสที่ลื่นอาจทำให้เกิดการใช้งานที่ไม่ปลอดภัย และทำให้ไม่สามารถควบคุมเครื่องมือในสถานการณ์คับขันได้อย่างถูกต้อง

### 5) การใช้และการดูแลรักษาแบตเตอรี่

- a) ชาร์จแบตเตอรี่ด้วยเครื่องชาร์จที่ผู้ผลิตแนะนำเท่านั้น เครื่องชาร์จที่เหมาะสมกับแบตเตอรี่แบบหนึ่งอาจทำให้เกิดไฟไหม้ได้ถ้านำมาใช้กับแบตเตอรี่อีกแบบหนึ่ง
- b) ใช้เครื่องมือไฟฟ้าเฉพาะกับก้อนแบตเตอรี่ที่ออกแบบมาเป็นพิเศษเท่านั้น การใช้แบตเตอรี่แบบอื่นอาจทำให้เกิดการบาดเจ็บหรือเกิดไฟไหม้ได้



- c) เมื่อไม่ได้ใช้ก้อนแบตเตอรี่ ให้เก็บออกห่างจากรัดอุ๊อื่นๆ ที่เป็นโลหะ เช่น คลิปหนีบกระดาษ เหรียญ กุญแจ เข็ม สกรูหรือวัตถุขนาดเล็กอื่นๆ ที่ห่างจากโลหะที่อาจทำให้เกิดการเชื่อมต่อกจากขั้วหนึ่งไปยังอีกขั้วหนึ่ง การสั้ววงจรบริเวณขั้วแบตเตอรี่อาจทำให้เกิดรอยไหม้หรือไฟไหม้ได้
- d) เมื่ออยู่ภายใต้สภาวะที่ไม่เหมาะสม อาจมีของเหลวไหลออกมาจากแบตเตอรี่ ให้หลีกเลี่ยงการสัมผัสกับของเหลวนี้ หากบังเอิญสัมผัสโดยไม่ตั้งใจ ให้ล้างออกด้วยน้ำปริมาณมาก หากของเหลวกระเด็นเข้าตา ควรรีบไปพบแพทย์ของเหลวที่ออกมาจากแบตเตอรี่อาจทำให้เกิดอาการระคายเคืองหรือรอยไหม้ได้
- e) ห้ามใช้แบตเตอรี่หรือเครื่องมือที่มีการชำรุดเสียหายหรือได้รับการดัดแปลง แบตเตอรี่ที่ชำรุดเสียหายหรือได้รับการดัดแปลงอาจทำให้เกิดเหตุการณ์ที่ไม่คาดคิด เช่น ไฟไหม้ ระเบิด หรือความเสี่ยงอันก่อให้เกิดการบาดเจ็บได้
- f) อย่าให้แบตเตอรี่หรือเครื่องมือถูกไฟไหม้หรืออยู่ในที่ที่มีอุณหภูมิสูงเกินไป หากแบตเตอรี่ถูกไฟไหม้หรืออยู่ในที่ที่มีอุณหภูมิสูงเกิน 130 °C อาจทำให้เกิดการระเบิดได้
- g) ปฏิบัติตามคำแนะนำการชาร์จทุกขั้นตอนและใช้ชาร์จแบตเตอรี่หรือเครื่องมือในอุณหภูมิที่เหมาะสมที่กำหนดไว้ในคำแนะนำ การชาร์จที่ไม่ถูกต้องหรือในอุณหภูมิที่นอกเหนือจากที่กำหนดไว้ อาจทำให้แบตเตอรี่เสียหายและเสี่ยงต่อการเกิดไฟไหม้ได้

## 6) การบริการ

- a) ให้ช่างซ่อมที่มีความเชี่ยวชาญเป็นผู้ซ่อมเครื่องมือไฟฟ้า และใช้อะไหล่ของแท้เท่านั้น ซึ่งจะช่วยให้อายุการใช้งานได้ยาวขึ้น
- b) ห้ามซ่อมแบตเตอรี่ที่ชำรุด ควรให้ผู้ผลิตหรือผู้ให้บริการที่ผ่านการรับรองเป็นผู้ซ่อมแบตเตอรี่เท่านั้น

## บล็อกลม/คำเตือนเพื่อความปลอดภัย

### สำหรับไขควง-การทำงานทั้งหมด

- ถอดเครื่องมือไฟฟ้าโดยการจับผิวหนังที่กั้นฉนวนเมื่อต้องปฏิบัติงานที่อุปกรณ์เสริมสำหรับการตัดอาจสัมผัสถูกการเดินสายไฟที่ซ่อนอยู่ เครื่องยึดซึ่งสัมผัสกับสายไฟที่ "มีกระแสไฟ" อาจทำให้ชิ้นส่วนโลหะของเครื่องมือไฟฟ้า "มีกระแสไฟ" และอาจทำให้ผู้ปฏิบัติงานถูกไฟฟาดได้
- สวมอุปกรณ์ป้องกันระหว่างการใช้งาน การสัมผัสกับเสียงรบกวนอาจทำให้สูญเสียการได้ยินได้

**คำเตือน:** บล็อกลมไม่ใช้ประแจปอนด์ อย่าใช้เครื่องมือนี้ในการขันตัวยึดให้แน่นตามแรงบิดที่ระบุ คุณควรใช้อุปกรณ์วัดแรงบิดอิสระที่ได้รับการสอบเทียบแล้ว เช่น ประแจปอนด์เมื่อตัวยึดที่ขันแน่นน้อยเกินไปหรือขันแน่นมากเกินไปอาจทำให้ข้อต่อไม่ทำงาน

- ใช้แคลมป์ยึดหรือวิธีอื่นที่เป็นไปได้ในการยึดและรองรับชิ้นงานเข้ากับแท่นที่เสถียร การจับชิ้นงานด้วยมือหรือแนบลำตัวจะทำให้ชิ้นงานไม่เสถียร และอาจทำให้เกิดการสูญเสียการควบคุม
- สวมแว่นตานิรภัยหรืออุปกรณ์ป้องกันดวงตาอื่นๆ การตอกและการเจาะจะทำให้เศษต่างๆ ปลิวว่อน อนุภาคที่ปลิวว่อนอาจทำให้เกิดความเสียหายอย่างถาวร
- ห้ามใช้เครื่องมือนี้เป็นเวลานาน การสั่นสะเทือนที่เกิดจากการทำงานของเครื่องมืออาจเป็นอันตรายต่อมือและแขนของคุณ สวมถุงมือเพื่อเพิ่มการกันกระแทก และจำกัดการสัมผัส โดยการพักทำงานบ่อยๆ
- อุปกรณ์เสริมและเครื่องมือจะร้อนขึ้นระหว่างการใช้งาน สวมถุงมือเมื่อสัมผัสอุปกรณ์เสริมและเครื่องมือ

## ความเสี่ยงคงเหลือ

แม้จะปฏิบัติตามข้อกำหนดด้านความปลอดภัยที่เกี่ยวข้องและใช้อุปกรณ์นิรภัยแล้วก็ตาม แต่ก็ไม่สามารถหลีกเลี่ยงความเสี่ยงบางอย่างได้ ความเสี่ยงเหล่านั้นได้แก่:

- ความบกพร่องในการได้ยินเสียง
- ความเสี่ยงที่จะได้รับบาดเจ็บจากเศษชิ้นงานที่ปลิว
- ความเสี่ยงที่จะเกิดรอยไหม้เนื่องจากอุปกรณ์เสริมที่ร้อนขึ้นในระหว่างการใช้งาน
- ความเสี่ยงที่จะได้รับบาดเจ็บเนื่องจากการใช้งานเป็นเวลานาน

## เก็บคำแนะนำเหล่านี้ไว้

### ชนิดของแบตเตอรี่

เครื่องมือต่อไปนี้จะทำงานกับชุดแบตเตอรี่ที่ 18 โวลท์ (สูงสุด 20 โวลท์): DCF870

โปรดดูคู่มือการใช้งานแบตเตอรี่/ที่ชาร์จสำหรับข้อมูลเพิ่มเติม

## สิ่งที่อยู่ในบรรจุภัณฑ์

ภายในบรรจุภัณฑ์ประกอบด้วย:

- 1 ไขควงกระแทก
- 1 ที่ชาร์จ (ไม่รวมอยู่ในรุ่น N และรุ่น NT)
- 1 แถบจับดอกสว่านแบบแม่เหล็ก
- 1 ตะขอ
- 1 กล่องอุปกรณ์ (รวมอยู่ในรุ่น T)
- 1 คู่มือการใช้งานแอป Tool Connect™ (รุ่น B) ก่อนแบตเตอรี่ Li-Ion (ไม่รวมอยู่ในชุดที่ขึ้นต้นด้วย "N" หรือ "NT")
- 1 คู่มือการใช้งาน

หมายเหตุ: รุ่น N จะไม่มีชุดแบตเตอรี่ ที่ชาร์จ และกล่องอุปกรณ์ รุ่น NT จะไม่มีชุดแบตเตอรี่และที่ชาร์จ รุ่น B จะมีชุดแบตเตอรี่ Bluetooth®

หมายเหตุ: เครื่องหมายค่าและโลโก้ของ Bluetooth® เป็นเครื่องหมายการค้าจดทะเบียนของ Bluetooth®, SIG, Inc. การใช้เครื่องหมายดังกล่าวโดย DEWALT อยู่ภายใต้การอนุญาตในขณะที่เครื่องหมายการค้าและชื่อการค้าอื่นๆ เป็นของเจ้าของที่เกี่ยวข้อง

- ตรวจสอบความเสียหายของเครื่องมือ ชิ้นส่วน หรืออุปกรณ์เสริมซึ่งอาจจะเกิดขึ้นระหว่างการขนส่ง
- ให้อ่านคู่มือและการทำความเข้าใจคู่มือฉบับนี้โดยละเอียดก่อนที่จะใช้งานเครื่องมือ

## สัญลักษณ์บนเครื่องมือ

รูปการต่อไปนี้จะปรากฏบนเครื่องมือ:



โปรดอ่านคู่มือแนะนำการใช้ก่อนใช้งาน



รังสีที่มองเห็นได้ ห้ามจ้องมองลำแสงโดยตรง

## ตำแหน่งของรหัสรุ่นที่ (รูป B)

รหัสรุ่นที่ผลิต 16 ประกอบไปด้วยสี่ซึ่งเป็นตัวเลข 4 ตัวตามด้วย

## คำอธิบาย (รูป A)

**▲ คำเตือน:** ห้ามตัดแปลงเครื่องมือไฟฟ้าหรือส่วนประกอบต่างๆ เพราะอาจทำให้เครื่องมือชำรุดหรือได้รับบาดเจ็บได้

- 1 ชุดแบตเตอรี่
- 2 ปุ่มปลดล๊อคแบตเตอรี่
- 3 ตัวส่งงานความเร็วรอบ
- 4 ปุ่มเดินหน้า/ถอยหลัง
- 5 ปลอกหัวจับ
- 6 หัวจับหกเหลี่ยมแบบปลดเร็วขนาด 1/4" (6.35 มม.)
- 7 ตัวเลือกโหมด
- 8 ไฟทำงาน
- 9 ตะขอแขวน
- 10 สกรู
- 11 ด้ามจับหลัก

## วัตถุประสงค์ในการใช้งาน

ไขควงกระแทกนี้ได้รับการออกแบบมาสำหรับการใช้งานเป็นไขควงสำหรับงานขันสกรูและการเจาะแบบมีอออาชีพ ฟังก์ชันการกระแทกจะช่วยให้เครื่องมือนี้มีประโยชน์เป็นอย่างมากในการขันตัวยึดในไม้และโลหะ

ห้ามใช้งาน หากอยู่ในบริเวณที่เปียกชื้นหรือมีของเหลว ไวไฟหรือแก๊สอยู่ในบริเวณดังกล่าว

ไขควงกระแทกนี้เป็นเครื่องมือไฟฟ้าสำหรับมืออาชีพ

ห้ามปล่อยให้เด็กสัมผัสกับเครื่องมือ ผู้ใช้ที่ไม่มีประสบการณ์มาก่อนต้องได้รับการดูแลในขณะที่ใช้เครื่องมือนี้

• ผู้เยาว์และผู้ที่มีความเชี่ยวชาญ เครื่องมือนี้ไม่ได้มีไว้เพื่อการใช้งานโดยผู้เยาว์หรือผู้ที่มีความเชี่ยวชาญ โดยไม่มีการควบคุมดูแล

• เครื่องมือนี้ไม่ได้มีไว้เพื่อการใช้งานโดยบุคคล (ซึ่งรวมถึงผู้เยาว์) ที่มีความบกพร่องทางร่างกาย ทางกาารรับความรู้สึก หรือทางจิตประสาท หรือขาดประสบการณ์ ความรู้ และทักษะ เว้นเสียแต่จะได้รับการควบคุมดูแล หรือคำแนะนำการใช้เครื่องมือโดยผู้ที่รับผิดชอบต่อความปลอดภัยของบุคคลเหล่านั้น ห้ามปล่อยให้ผู้เยาว์ไว้กับเครื่องมือนี้ตามลำพัง

## การประกอบและการปรับแต่ง

**▲ คำเตือน:** เพื่อลดความเสี่ยงจากการได้รับบาดเจ็บรุนแรง ต้องปิดเครื่องมือและถอดปลั๊กออกจากแหล่งจ่ายไฟก่อนทำการปรับตั้ง หรือทำการถอด/ติดตั้งอุปกรณ์ยึดติดหรืออุปกรณ์เสริมใดๆ ทุกครั้ง การเปลือเปิดเครื่องโดยไม่ไดตั้งใจอาจเป็นสาเหตุให้เกิดการบาดเจ็บได้

**▲ คำเตือน:** ใช้แบตเตอรี่และเครื่องชาร์จของ DEWALT เท่านั้น

## การใส่และถอดก่อนแบตเตอรี่ออก จากเครื่องมือ (รูป B)

หมายเหตุ: ต้องตรวจให้แน่ใจว่าแบตเตอรี่แพ็ค 1 ของคุณชาร์จจนเต็มแล้ว

## การติดตั้งชุดแบตเตอรี่กับเครื่องมือ

1. จัดแนวแบตเตอรี่ให้ตรงกับรางด้านในของเครื่องมือ (รูป B)
2. เลื่อนเข้าไปในรางจนกระทั่งก้อนแบตเตอรี่อยู่ในเครื่องมืออย่างแน่นสนิท และเพื่อความแน่ใจ คุณจะได้ยินเสียงล๊อคล๊อคเข้าที่

## วิธีการถอดแบตเตอรี่ออกจากเครื่องมือ

1. กดปุ่มปลดล๊อค 2 และดึงแบตเตอรี่ออกจากมือจับเครื่องมือ
2. ใส่ชุดแบตเตอรี่เข้าไปในที่ชาร์จ

## ขีดมาตรฐานพลังงานแบตเตอรี่ (รูป B)

แบตเตอรี่ของ DEWALT บางรุ่นมีมาตรฐานพลังงานซึ่งประกอบด้วยไฟ LED สีเขียวสามดวงที่ระบุระดับประจุที่เหลืออยู่ในก้อนแบตเตอรี่

เพื่อกระตุนมาตรฐานพลังงาน 15 กดปุ่มมาตรวัดค้างไว้ ไฟ LED สีเขียวสามดวงที่รวมตัวกันจะส่องสว่างเพื่อกำหนดระดับประจุที่เหลือเมื่อระดับประจุไฟฟ้าในแบตเตอรี่ต่ำกว่าขีดจำกัดที่ใช้งานได้ มาตรวัดจะไม่ติดและต้องทำการชาร์จแบตเตอรี่ใหม่



**หมายเหตุ:** มาตรฐานพลังงานเป็นเพียงการบ่งบอกถึงประจําที่ เหลืออยู่ในก่อนแบตเตอรี่ซึ่งไม่ได้บ่งบอกถึงการทำงานของ เครื่องมือ และอาจมีการเปลี่ยนแปลงตามส่วนประกอบของ

ผลิตภัณฑ์ อุปกรณ์และการใช้งานของผู้ใช้  
**หัวจับดอกแบริ่งสวมเร็ว (รูป A, D)**

**⚠ คำเตือน:** ใช้เฉพาะอุปกรณ์เสริมสำหรับไขควง กระแทกเท่านั้น อุปกรณ์เสริมที่ไม่เหมาะสมสำหรับ ไขควงกระแทกอาจแตกหักและทำให้เกิดสภาวะ ที่เป็นอันตรายได้ ตรวจสอบอุปกรณ์เสริมก่อนการ ใช้งานเพื่อให้แน่ใจว่า อุปกรณ์เสริมไม่มีรอยแตก

**หมายเหตุ:** หัวจับแบบปลดเร็ว 6 สามารถใช้ได้กับอุปกรณ์ เสริมแบบกนกเหลี่ยมขนาด 1/4 นิ้ว ให้ปุ่มควบคุมการเดิน หนา/การถอยหลัง 4 อยู่ในตำแหน่งล็อก (ตรงกลาง) และ ถอดชุดแบตเตอรี่ 1 ออกก่อนที่จะเปลี่ยนอุปกรณ์เสริม หากต้องการติดตั้งอุปกรณ์เสริม คุณจะต้องใส่อุปกรณ์ เสริมจนสุดเพื่อให้อุปกรณ์เสริมถูกล็อกเข้าที่ (รูป D)

**หากต้องการถอดอุปกรณ์เสริม** คุณจะต้องดึงปลอกสว่าน 5 ออกจากด้านหน้าของเครื่องมือ และถอดอุปกรณ์เสริม (รูป D)

## การใช้งาน

### วิธีการใช้เครื่อง

**⚠ คำเตือน:** ทำตามคำแนะนำด้านความปลอดภัยและ ข้อกำหนดที่บังคับใช้เสมอ

**⚠ คำเตือน:** เพื่อลดความเสี่ยงจากการได้รับ บาดเจ็บรุนแรง ต้องปิดเครื่องมือและถอดปลั๊ก ออกจากแหล่งจ่ายไฟก่อนทำการปรับตั้ง หรือ ถอด/ติดตั้งอุปกรณ์ยึดติดหรืออุปกรณ์เสริม ใดๆ ทุกครั้ง การเชื่อมต่อเครื่องมือโดยไม่ไต่ตั้งใจ อาจเป็นสาเหตุให้เกิดการบาดเจ็บได้

### ตำแหน่งการจับที่เหมาะสม (รูป C)

**⚠ คำเตือน:** เพื่อลดความเสี่ยงจากการได้รับบาดเจ็บ สาหัส ให้จับเครื่องมือในตำแหน่งที่ถูกต้องดังแสดง ในภาพเสมอ

**⚠ คำเตือน:** เพื่อลดความเสี่ยงจากการได้รับบาดเจ็บ สาหัส ต้องจับเครื่องมือให้แน่นทุกครั้งเพื่อเตรียมพร้อมสำหรับแรงปฏิกิริยาที่เกิดขึ้นแบบทันทีทันใด

ตำแหน่งการวางมือที่เหมาะสมคือการวางมือข้างใดข้าง หนึ่งไว้บนด้ามจับหลัก 11

### สวิตช์สั่งงานความเร็วรอบและการเดินหน้า/การ ถอยหลัง ปุ่มควบคุม (รูป A)

เปิดและปิดเครื่องมือโดยการดึงและการปล่อยสวิตช์สั่ง งานความเร็วรอบ 3 ยิ่งคุณกดสวิตช์สั่งงานความเร็วรอบ มากเท่าใด ความเร็วของเครื่องมือก็จะยิ่งสูงมากขึ้นเท่านั้น เครื่องมือของคุณได้รับการติดตั้งมาพร้อมกับเบรก

หัวจับจะหยุดทันทีที่สวิตช์สั่งงานความเร็วรอบถูกปล่อยจน สด

ปุ่มควบคุมการเดินหน้า/การถอยหลัง 4 จะกำหนดทิศทาง การหมุนของเครื่องมือ และยังคงทำหน้าที่เป็นปุ่มล็อกอีก ด้วย

- หากต้องการเลือกการหมุนไปข้างหน้า คุณจะต้องปล่อย สวิตช์สั่งงาน และกดปุ่มควบคุมการเดินหน้า/การถอยหลัง ซึ่งอยู่ทางด้านขวาของเครื่องมือ

- หากต้องการเลือกถอยหลัง คุณจะต้องกดปุ่มควบคุม การเดินหน้า/การถอยหลังซึ่งอยู่ทางด้านซ้ายของเครื่องมือ

**หมายเหตุ:** ตำแหน่งตรงกลางของปุ่มควบคุมจะล็อกเครื่อง มือให้อยู่ในตำแหน่งปิดเครื่อง เมื่อเปลี่ยนตำแหน่งของปุ่ม ควบคุม คุณจะต้องตรวจสอบแน่ใจว่า คุณได้ปล่อยสวิตช์ สั่งงานแล้ว

**หมายเหตุ:** ไม่แนะนำให้ให้คุณใช้งานอย่างต่อเนื่องในพิสัย ความเร็วรอบเพราะอาจทำให้สวิตช์เสียหายได้ และเป็นสิ่ง ที่ควรหลีกเลี่ยง

**หมายเหตุ:** ในครั้งแรกที่ใช้งานเครื่องมือหลังจากเปลี่ยน ทิศทางการหมุน คุณอาจจะได้ยินเสียงตังกกริกรตอนเริ่มต้น ได้ เรื่องดังกล่าวถือว่าเป็นปกติ และไม่ได้บ่งบอกถึงปัญหาแต่ อย่างใด

### ตัวเลือกความเร็ว (รูป A, E)

**หมายเหตุ:** ห้ามเปลี่ยนความเร็วเมื่อเครื่องมือกำลังทำงาน ปล่อยให้เครื่องมือหยุดสนิทก่อนที่จะเปลี่ยนความเร็วอยู่ เสมอ

เครื่องมือของคุณมาพร้อมกับตัวเลือกความเร็ว 7 ซึ่งจะช่วยให้ คุณสามารถเลือกความเร็วได้หนึ่งระดับจากสองระดับ เพื่อความคล่องตัวในการใช้งานที่มากขึ้น เลือกความเร็ว ตามความเร็ว/แรงบิดสูงสุดที่คุณต้องการ และควบคุม ความเร็วของเครื่องมือโดยใช้สวิตช์สั่งงานความเร็วรอบ 3

#### ข้อมูลจำเพาะ

โหมด	การใช้งาน	RPM
โหมด 1	ความเร็วต่ำ	0-1100 เดินหน้า
		0-1100 ถอยหลัง
โหมด 2	ความเร็วสูง	0-3000 เดินหน้า
		0-3000 ถอยหลัง
โหมด 3 (โหมดไฟสอง สว่าง 20 นาที)	ความเร็วสูง	0-3000 เดินหน้า
		0-3000 ถอยหลัง

โปรดดูในหัวข้อไฟสอง สว่าง

- หากต้องการเลือกโหมด 1 (การตั้งค่าความเร็วต่ำ) ให้ ปิดเครื่องมือ และปล่อยให้เครื่องมือหยุด เลื่อนตัวเลือก ความเร็ว 7 ไปทางซ้ายสุด (โดยหันด้านหน้าของเครื่องมือ ออกด้านนอก)

- หากต้องการเลือกโหมด 2 (การตั้งค่าความเร็วสูง) ให้ ปิดเครื่องมือ และปล่อยให้เครื่องมือหยุด เลื่อนตัวเลือก ความเร็ว 7 ไปที่ตำแหน่งกึ่งกลาง

- หากต้องการเลือกโหมด 3 (โหมดไฟสองสว่าง 20 นาที) (การตั้งค่าความเร็วสูง) ให้ปิดเครื่องมือ และปล่อย

ให้เครื่องมือหยุด เลื่อนตัวเลือกความเร็ว 7 ไปทางขวาสุด (โดยหันด้านหน้าของเครื่องมือออกด้านนอก)

หมายเหตุ: โหมด 3 (โหมดไฟสองสว่าง 20 นาที) จะให้การใช้งานและความเร็ว RPM เดียวกันกับโหมด 2

หากเครื่องมือไม่เปลี่ยนความเร็ว ให้ตรวจสอบว่าสวิตช์เลือกความเร็วอยู่ในตำแหน่งเดินหน้าหรือถอยหลัง

## ไฟทำงาน (รูป A)

**▲ ข้อควรระวัง:** ห้ามจ้องไปที่ไฟทำงานเพราะอาจทำให้ตาได้รับบาดเจ็บสาหัสได้

มีไฟสองสว่างสามดวง 8 อยุ่รอบๆ ปลอกหัวจับ 5 ไฟสองสว่างจะถูกเปิดใช้งานเมื่อกดสวิตช์สั่งงานความเร็วรอบ 3 ในโหมดความเร็วต่ำ เมื่อปล่อยสวิตช์สั่งงานความเร็วรอบ ไฟสองสว่างจะยังคงสว่างอยู่เป็นเวลาสูงสุด 20 วินาที หากยังกดสวิตช์สั่งงานความเร็วรอบเอาไว้ ไฟสองสว่างจะยังคงสว่างอยู่

### โหมดไฟสองสว่าง 20 นาที

โหมด 3 จะเปิดใช้งานไฟสองสว่างของเครื่องมือ ไฟสองสว่างจะทำงานเป็นเวลา 20 นาทีหลังจากปล่อยสวิตช์สั่งงานความเร็วรอบ

**▲ คำเตือน:** ขณะใช้เครื่องมือในโหมดไฟสองสว่าง ห้ามจ้องมองไปที่แสงไฟ หรือวางส่วนในตำแหน่งที่อาจจะทำให้ผู้อื่นจ้องมองไปที่ไฟสองสว่างเพราะอาจทำให้ตาได้รับบาดเจ็บสาหัสได้

**▲ ข้อควรระวัง:** เมื่อใช้เครื่องมือกับไฟสองสว่าง คุณจะต้องแน่ใจว่า คุณได้ยึดไฟสองสว่างไว้บนพื้นผิวที่เสถียรซึ่งจะไม่ทำให้เกิดอันตรายจากการสะดุดหรือการตกลงมา

**▲ ข้อควรระวัง:** ถอดอุปกรณ์เสริมทั้งหมดออกจากหัวจับก่อนที่จะใช้ส่วนในโหมดไฟสองสว่าง มิเช่นนั้นอาจทำให้เกิดการบาดเจ็บส่วนบุคคลหรือความเสียหายต่อทรัพย์สินได้

## การใช้งาน (รูป A)

**▲ ข้อควรระวัง:** ตรวจสอบให้แน่ใจว่าอุปกรณ์ยึดและ/หรือระบบจะสามารถต้านทานระดับของแรงบิดที่เกิดจากเครื่องมือได้ แรงบิดที่มากเกินไปอาจทำให้เกิดการแตกหักและการบาดเจ็บส่วนบุคคลได้

1. วางดอกไขควงไว้ที่บนหัวของสกรู และให้ปลายดอกชี้ตรงไปที่แนวการขันสกรูอยู่เสมอ
2. กดสวิตช์สั่งงานความเร็วรอบ 3 เพื่อเริ่มต้นการทำงาน ปล่อยสวิตช์สั่งงานความเร็วรอบเพื่อหยุดการทำงาน หมั่นตรวจสอบแรงบิดโดยใช้ประแจวัดแรงบิดอยู่เสมอเนื่องจากแรงบิดขั้นจะได้รับผลกระทบจากหลายปัจจัยรวมถึงปัจจัยต่างๆ ดังต่อไปนี้:
  - **แรงดันไฟฟ้า:** แรงดันไฟฟ้าต่ำเนื่องจากแบตเตอรี่ที่ใกล้จะหมดจะทำให้แรงบิดขั้นลดลง
  - **ขนาดของอุปกรณ์เสริม:** การไม่ใช้ขนาดของอุปกรณ์เสริมที่ถูกต้องจะทำให้แรงบิดในการขันลดลง

- **ขนาดของสกรูหรือน็อต:** โดยทั่วไปนั้น เส้นผ่านศูนย์กลางของสกรูที่มากกว่าจะต้องใช้แรงบิดขั้นที่มากกว่า แรงบิดขั้นจะแตกต่างกันออกไปตามความยาว ระดับ และสัมประสิทธิ์ของแรงบิด

- **น็อตหรือสกรู:** ตรวจสอบให้แน่ใจว่า เคลียวทั้งหมดปราศจากสนิมและเศษต่างๆ เพื่อให้เกิดแรงบิดขั้นที่เหมาะสม

- **วัสดุ:** ประเภทของวัสดุและเคลือบผิวหน้าของวัสดุจะส่งผลกระทบต่อแรงบิดขั้น

- **เวลาในการขัน:** เวลาในการขันที่นานขึ้นจะส่งผลให้เกิดแรงบิดขั้นที่เพิ่มขึ้น การใช้เวลาในการขันที่นานกว่าเวลาที่แนะนำอาจทำให้อุปกรณ์เกิดความเค้นมากเกินไป สึกขาดหรือเสียหายได้

## ขัน Tool Connect™ (รูป A, F)

**▲ คำเตือน:** ถอดชุดแบตเตอรี่ 1 ออกก่อนที่จะใช้งานขัน Tool Connect™ เพื่อลดความเสี่ยงจากการบาดเจ็บ

เครื่องมือของคุณมีขัน Tool Connect™ และมีตำแหน่งสำหรับการใส่ขัน Tool Connect™

ขัน Tool Connect™ เป็นการใช้งานเสริมสำหรับอุปกรณ์อัจฉริยะของคุณ (เช่น สมาร์ทโฟนหรือแท็บเล็ต) ที่เชื่อมต่ออุปกรณ์เพื่อใช้แอปพลิเคชันมือถือสำหรับการจัดการสินค้าคงคลัง

โปรดดูคู่มือการใช้งานของขัน Tool Connect™ สำหรับคำแนะนำเพิ่มเติม

### การใส่ขัน Tool Connect™

1. ถอดสกรูยึด 12 ที่ยึดฝาครอบป้องกันขัน Tool Connect™ 13 เข้ากับเครื่องมือ
2. ถอดฝาครอบป้องกัน และใส่ขัน Tool Connect™ ลงในช่องว่าง 14
3. ตรวจสอบให้แน่ใจว่าขัน Tool Connect™ อยู่ในแนวเดียวกับตัวเครื่อง ยึดขันให้แน่นด้วยสกรูยึด และขันสกรูให้แน่น
4. โปรดดูคู่มือการใช้งานของขัน Tool Connect™ สำหรับคำแนะนำเพิ่มเติม

## การบำรุงรักษา

เครื่องมือไฟฟ้า ออกแบบมาเพื่อให้อายุการใช้งานได้อย่างยาวนานโดยมีการบำรุงรักษาน้อยที่สุด การทำงานที่สร้างความพึงพอใจอย่างต่อเนื่องจะขึ้นอยู่กับ การดูแลรักษาที่เหมาะสมและการทำความสะอาดอย่างสม่ำเสมอ

**▲ คำเตือน:** เพื่อลดความเสี่ยงจากการได้รับบาดเจ็บรุนแรง ต้องปิดเครื่องมือและถอดปลั๊กออกจากแหล่งจ่ายไฟก่อนทำการปรับตั้ง หรือถอด/ติดตั้งอุปกรณ์ยึดติดหรืออุปกรณ์เสริมใดๆ ทุกครั้ง การเผลอเปิดเครื่องโดยไม่ตั้งใจอาจเป็นสาเหตุให้เกิดการบาดเจ็บได้

เครื่องชาร์จและชุดแบตเตอรี่ไม่สามารถซ่อมแซมได้

## การหลอ่ลื่น

ไม่จำเป็นต้องใช้การหลอ่ลื่นเพิ่มเติมกับเครื่องมือไฟฟ้านี้

## การทำความสะอาด

- ▲ **คำเตือน:** อันตรายจากไฟฟ้าดูดและอันตรายเชิงกล ตัดการเชื่อมต่อเครื่องใช้ไฟฟ้าจากแหล่งจ่ายไฟก่อนที่จะทำความสะอาด
- ▲ **คำเตือน:** ดูแลรักษาเครื่องใช้ไฟฟ้าและช่องระบายอากาศให้สะอาดอยู่เสมอเพื่อให้แน่ใจได้ถึงการทำงานที่ปลอดภัยและมีประสิทธิภาพ
- ▲ **คำเตือน:** ห้ามใช้สารที่เป็นตัวทำลายหรือสารเคมีที่มีฤทธิ์กัดกร่อนรุนแรงอื่นๆ ทำความสะอาดชิ้นส่วนที่ไม่ใช่โลหะของเครื่องมือ สารเคมีเหล่านี้อาจส่งผลต่อวัสดุที่ใช้ในชิ้นส่วนเหล่านี้ ใช้เฉพาะผ้าชุบน้ำสบู่อ่อนๆ เท่านั้น อย่าให้มีของเหลวใดๆ เข้าไปในเครื่องมือเด็ดขาด ห้ามจุ่มส่วนใดๆ ของเครื่องมือลงในของเหลวเด็ดขาด

คุณสามารถทำความสะอาดช่องระบายอากาศได้โดยใช้แปรงที่ไม่ใช่โลหะที่แห้งและนุ่ม และ/หรือใช้เครื่องดูดฝุ่นที่เหมาะสม ห้ามใช้น้ำหรือน้ำยาทำความสะอาดทุกประเภท สวมอุปกรณ์ป้องกันดวงตาและหน้ากากกันฝุ่นที่ได้รับอนุญาต

## อุปกรณ์เสริม

- ▲ **คำเตือน:** เนื่องจากอุปกรณ์เสริมอื่นนอกเหนือจากที่ DEWALT มีจำหน่ายไม่ได้ผ่านการทดสอบร่วมกับผลิตภัณฑ์นี้ จึงอาจเป็นอันตรายหากใช้อุปกรณ์เสริมดังกล่าวร่วมกับเครื่องมือนี้ เพื่อเป็นการลดความเสี่ยงจากการได้รับบาดเจ็บ ให้ใช้อุปกรณ์เสริมเฉพาะที่ DEWALT แนะนำให้ใช้ร่วมกับผลิตภัณฑ์นี้เท่านั้น

โปรดติดต่อตัวแทนจำหน่ายหากต้องการข้อมูลเพิ่มเติมเกี่ยวกับอุปกรณ์เสริมที่เหมาะสม

## อุปกรณ์เสริมสำหรับการกระแทก

- ▲ **คำเตือน:** ใช้เฉพาะอุปกรณ์เสริมสำหรับไขควงกระแทกเท่านั้น อุปกรณ์เสริมที่ไม่เหมาะสมสำหรับไขควงกระแทกอาจแตกหักและทำให้เกิดสภาวะที่เป็นอันตรายได้ ตรวจสอบอุปกรณ์เสริมก่อนการใช้งานเพื่อให้แน่ใจว่า อุปกรณ์เสริมไม่มีรอยแตก

## ตะขอก็กว (รูป A)

- ▲ **คำเตือน:** อันตรายจากการหล่น อย่าใช้ตะขอก็กวในการผูกหรือยึดเครื่องมือเข้ากับบุคคลหรือวัตถุระหว่างการใช้งานเมื่อมีการยกขึ้นเพื่อลดความเสี่ยงจากการบาดเจ็บส่วนบุคคลร้ายแรง
- ▲ **คำเตือน:** ห้ามแขวนเครื่องมือไว้เหนือศีรษะ หรือแขวนสิ่งของต่างๆ โดยใช้ตะขอก็กวเพื่อลดความเสี่ยงจากการบาดเจ็บส่วนบุคคลร้ายแรงแขวนตะขอก็กวของเครื่องมือไว้กับเข็มขัดทำงานเท่านั้น

- ▲ **คำเตือน:** ตรวจสอบให้แน่ใจว่าสกรูที่ยึดตะขอก็กวแน่นหนาเพื่อลดความเสี่ยงของการบาดเจ็บส่วนบุคคลร้ายแรง

**หมายเหตุ:** คุณจะไม่สามารถใช้หัวหนีบดอกสว่านและตะขอก็กวได้เมื่อมีการใส่ชุดอุปกรณ์เสริมพร้อมเชือกเส้นเล็กไว้

**สำคัญ:** เมื่อทำการใส่หรือเปลี่ยนตะขอก็กว คุณจะต้องใช้เฉพาะสกรู ที่ให้มากับเครื่องมือเท่านั้น ตรวจสอบให้แน่ใจว่า คุณได้ขันสกรูจนแน่น

คุณสามารถใส่ตะขอก็กว 9 และหัวจับดอกไขควงแบบแม่เหล็ก เข้ากับด้านใดด้านหนึ่งของเครื่องมือได้โดยใช้เฉพาะสกรู 10 ที่ให้มาเท่านั้นเพื่ออำนวยความสะดวกให้แก่ผู้ใช้ที่ถนัดมือซ้ายหรือมือขวา หากคุณไม่ต้องการใช้ตะขอก็กวหรือหัวจับดอกไขควงแบบแม่เหล็ก คุณสามารถถอดตะขอก็กวหรือหัวจับดอกไขควงแบบแม่เหล็กออกจากเครื่องมือได้

หากต้องการถอดตะขอก็กวหรือหัวจับดอกไขควงแบบแม่เหล็กออก คุณจะต้องถอดสกรู 10 ที่ยึดตะขอก็กวหรือหัวจับดอกไขควงแบบแม่เหล็กอยู่ จากนั้นจึงประกอบกลับในด้านตรงข้าม และตรวจสอบให้แน่ใจว่า คุณได้ขันสกรูจนแน่น

## การปกป้องสิ่งแวดลอม



การเก็บรวบรวมแบบคัดแยก ห้ามทิ้งผลิตภัณฑ์และแบตเตอรี่ที่มีสัญลักษณ์นี้ร่วมกับขยะในครัวเรือนปกติ

ผลิตภัณฑ์และแบตเตอรี่ประกอบด้วยวัสดุ

ที่สามารถนำกลับมาใช้ใหม่หรือรีไซเคิลได้เพื่อลดความต้องการวัตถุดิบ โปรดรีไซเคิลอุปกรณ์ไฟฟ้าและแบตเตอรี่ตามข้อบังคับในท้องถิ่น ดูข้อมูลเพิ่มเติมได้ที่ [www.2helpU.com](http://www.2helpU.com)

## ชุดแบตเตอรี่แบบชาร์จซ้ำได้

แบตเตอรี่ที่มีอายุการใช้งานยาวนานนี้จำเป็นต้องรับการชาร์จไฟใหม่เมื่อไม่สามารถจ่ายพลังงานเพียงพอสำหรับการทำงานซึ่งเคยทำได้โดยง่าย เมื่อแบตเตอรี่หมดอายุการทำงานทางด้านเทคนิคแล้ว ให้นำแบตเตอรี่ไปกำจัดทิ้งโดยคำนึงถึงผลกระทบต่อสิ่งแวดล้อม:

- ใช้แบตเตอรี่ให้หมดเกลี้ยง จากนั้นถอดแบตเตอรี่ออกจากเครื่องมือ
- แบตเตอรี่ลิเทียมไอออนสามารถรีไซเคิลได้ โปรดนำไปที่ตัวแทนจำหน่ายหรือสถานีรีไซเคิลในพื้นที่ของคุณ ชุดแบตเตอรี่ที่เรารวบรวมไว้จะนำไปรีไซเคิลหรือกำจัดอย่างเหมาะสมต่อไป

## บริการหลังการขายและการ

### ซ่อมแซมผลิตภัณฑ์

ศูนย์บริการ DEWALT ของเราประกอบไปด้วยบุคลากรที่ได้รับการฝึกอบรมมาเป็นอย่างดีในการให้บริการผลิตภัณฑ์ที่มีประสิทธิภาพและไว้วางใจได้แก่ลูกค้า อย่างไรก็ตามเรา

จะไม่รับผิดชอบใดๆ หากคุณซ่อมแซมผลิตภัณฑ์กับศูนย์บริการที่ไม่ได้รับการอนุญาตจากเรา คุณสามารถดูที่ตั้งของศูนย์ติดต่อได้จากแผนที่ในบรรทัดแรกของผลิตภัณฑ์และติดต่อเราได้ผ่านสายด่วน เว็บไซต์หรือโซเชียลมีเดียเพื่อค้นหาศูนย์บริการ DEWALT ซึ่งอยู่ใกล้คุณมากที่สุด



