

DEWALT®

XR®

www.DEWALT.com

DCF840

English (***original instructions***)

3

한국어

12

ภาษาไทย

20

Fig. A
그림 A
그림 A

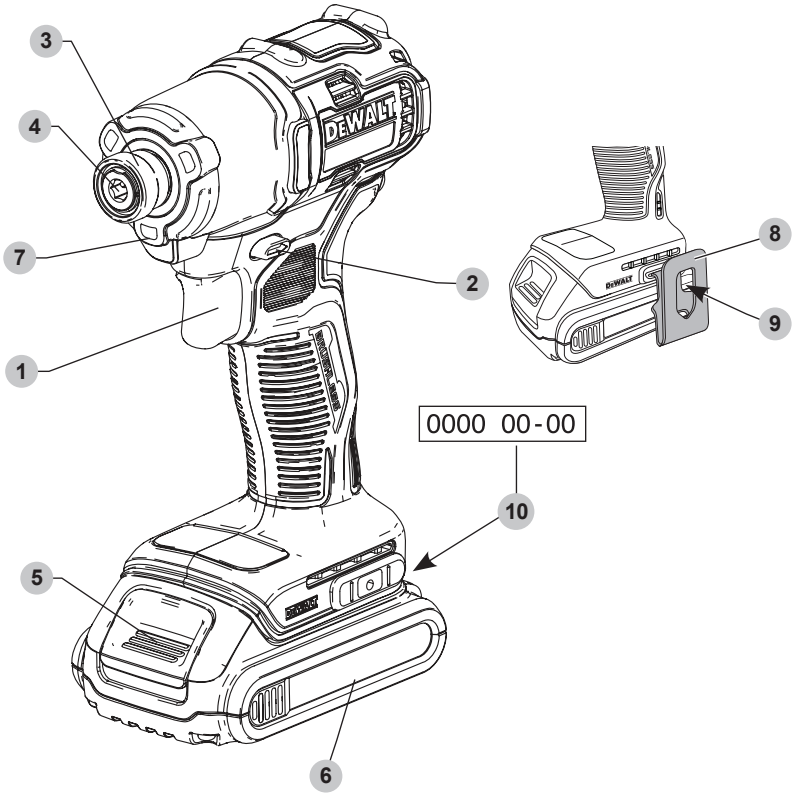


Fig. B
그림 B
그림 B

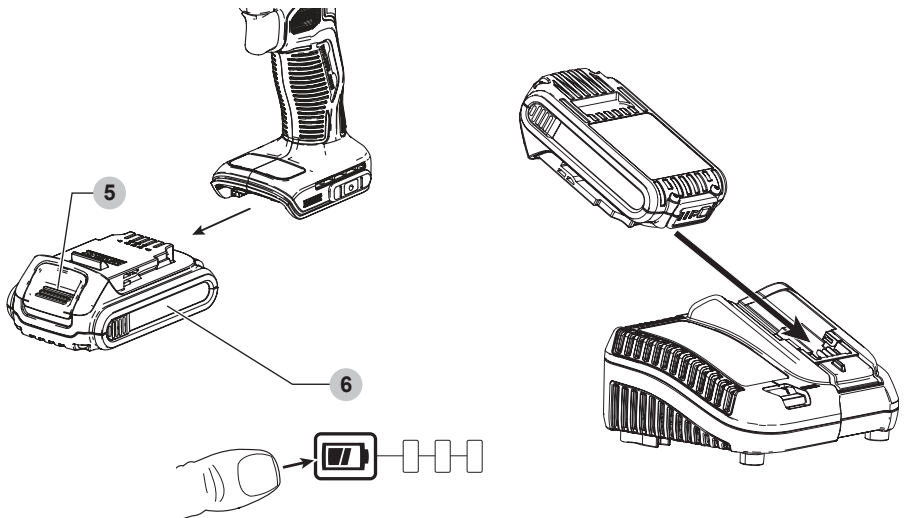


Fig. C
그림 C
궤도 C

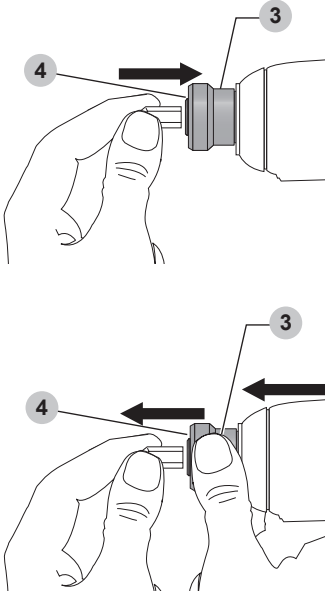
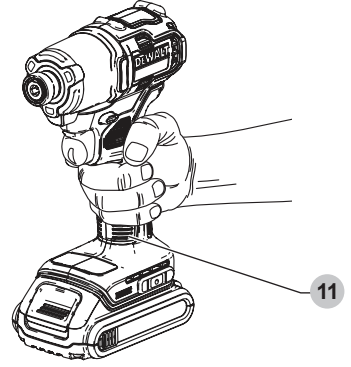


Fig. D
그림 D
궤도 D



BRUSHLESS CORDLESS COMPACT IMPACT DRIVER

DCF840

Congratulations!

You have chosen a DEWALT tool. Years of experience, thorough product development and innovation make DEWALT one of the most reliable partners for professional power tool users.

Technical Data

		DCF840
Voltage	V_{DC}	18 (20 Max)
Battery type		Li-Ion
Power output	W	380
No load speed	min-1	0–3200
Impact rate	min-1	0–4200
Max. torque	Nm	192
Tool holder		6.35 mm
Weight (without battery pack)	kg	0.88

Batteries				Chargers / Charge Times (Minutes)							
Cat#	V_{DC}	Ah	Weight(kg)	DCB104	DCB107	DCB112	DCB115	DCB117 DCB1112	DCB118	DCB132	
DCB546/DCB606	18/54 (20/60 Max)	6.0/2.0	1.08	60	270	170	90	40	60	90	
DCB547/DCB609	18/54 (20/60 Max)	9.0/3.0	1.46	75*	420	270	135*	60	75*	135*	
DCB548/DCB612	18/54 (20/60 Max)	12.0/4.0	1.46	120	540	350	180	80	120	180	
DCB549/DCB615	18/54 (20/60 Max)	15.0/5.0	2.12	125	730	450	230	90	125	230	
DCB180	18 (20 Max)	3.0	0.62	45	140	90	45	45	45	45	
DCB181	18 (20 Max)	1.5	0.35	22	70	45	22	22	22	22	
DCB182/DCB204	18 (20 Max)	4.0	0.61	60/40**	185	120	60	60/40**	60/40**	60	
DCB183/DCB203	18 (20 Max)	2.0	0.40	30	90	60	30	30	30	30	
DCB184/DCB205	18 (20 Max)	5.0	0.62	75/50**	240	150	75	75/50**	75/50**	75	
DCB185	18 (20 Max)	1.3	0.35	22	60	40	22	22	22	22	
DCB187	18 (20 Max)	3.0	0.54	45	140	90	45	45	45	45	
DCB189/DCB240	18 (20 Max)	4.0	0.54	60	185	120	60	60	60	60	
DCB186	18 (20 Max)	6.0	0.95	60	270	170	90	60	60	90	
DCB208	18 (20 Max)	8.0	0.95	70	360	240	120	70	70	120	
DCBP034	18 (20 Max)	1.7	0.32	27	82	50	27	27	27	27	

*Date code 201811475B or later

**Date code 201536 or later



WARNING: To reduce the risk of injury, read the instruction manual.

Definitions: Safety Guidelines

The definitions below describe the level of severity for each signal word. Please read the manual and pay attention to these symbols.



DANGER: Indicates an imminently hazardous situation which, if not avoided, **will** result in **death or serious injury**.



WARNING: Indicates a potentially hazardous situation which, if not avoided, **could** result in **death or serious injury**.



CAUTION: Indicates a potentially hazardous situation which, if not avoided, **may** result in **minor or moderate injury**.

NOTICE: Indicates a practice **not related to personal injury** which, if not avoided, **may** result in **property damage**.



Denotes risk of electric shock.



Denotes risk of fire.

GENERAL POWER TOOL SAFETY WARNINGS



WARNING: Read all safety warnings, instructions, illustrations and specifications provided with this power tool. Failure to follow all instructions listed below may result in electric shock, fire and/or serious injury.

SAVE ALL WARNINGS AND INSTRUCTIONS FOR FUTURE REFERENCE.

The term "power tool" in the warnings refers to your mains-operated (corded) power tool or battery-operated (cordless) power tool.

1) Work Area Safety

- a) **Keep work area clean and well lit.** Cluttered or dark areas invite accidents.
- b) **Do not operate power tools in explosive atmospheres, such as in the presence of flammable liquids, gases or dust.** Power tools create sparks which may ignite the dust or fumes.
- c) **Keep children and bystanders away while operating a power tool.** Distractions can cause you to lose control.

2) Electrical Safety

- a) **Power tool plugs must match the outlet. Never modify the plug in any way. Do not use any adapter plugs with earthed (grounded) power tools.** Unmodified plugs and matching outlets will reduce risk of electric shock.
- b) **Avoid body contact with earthed or grounded surfaces such as pipes, radiators, ranges and refrigerators.** There is an increased risk of electric shock if your body is earthed or grounded.
- c) **Do not expose power tools to rain or wet conditions.** Water entering a power tool will increase the risk of electric shock.
- d) **Do not abuse the cord. Never use the cord for carrying, pulling or unplugging the power tool. Keep cord away from heat, oil, sharp edges or moving parts.** Damaged or entangled cords increase the risk of electric shock.
- e) **When operating a power tool outdoors, use an extension cord suitable for outdoor use.** Use of a cord suitable for outdoor use reduces the risk of electric shock.
- f) **If operating a power tool in a damp location is unavoidable, use a residual current device (RCD) protected supply.** Use of an RCD reduces the risk of electric shock.

3) Personal Safety

- a) **Stay alert, watch what you are doing and use common sense when operating a power tool. Do not use a power tool while you are tired or under the influence of drugs, alcohol or medication.** A moment of inattention while operating power tools may result in serious personal injury.

- b) **Use personal protective equipment. Always wear eye protection.** Protective equipment such as a dust mask, non-skid safety shoes, hard hat or hearing protection used for appropriate conditions will reduce personal injuries.
- c) **Prevent unintentional starting. Ensure the switch is in the off-position before connecting to power source and/or battery pack, picking up or carrying the tool.** Carrying power tools with your finger on the switch or energising power tools that have the switch on invites accidents.
- d) **Remove any adjusting key or wrench before turning the power tool on.** A wrench or a key left attached to a rotating part of the power tool may result in personal injury.
- e) **Do not overreach. Keep proper footing and balance at all times.** This enables better control of the power tool in unexpected situations.
- f) **Dress properly. Do not wear loose clothing or jewellery. Keep your hair and clothing away from moving parts.** Loose clothes, jewellery or long hair can be caught in moving parts.
- g) **If devices are provided for the connection of dust extraction and collection facilities, ensure these are connected and properly used.** Use of dust collection can reduce dust-related hazards.
- h) **Do not let familiarity gained from frequent use of tools allow you to become complacent and ignore tool safety principles.** A careless action can cause severe injury within a fraction of a second.

4) Power Tool Use and Care

- a) **Do not force the power tool. Use the correct power tool for your application.** The correct power tool will do the job better and safer at the rate for which it was designed.
- b) **Do not use the power tool if the switch does not turn it on and off.** Any power tool that cannot be controlled with the switch is dangerous and must be repaired.
- c) **Disconnect the plug from the power source and/or remove the battery pack, if detachable, from the power tool before making any adjustments, changing accessories, or storing power tools.** Such preventive safety measures reduce the risk of starting the power tool accidentally.
- d) **Store idle power tools out of the reach of children and do not allow persons unfamiliar with the power tool or these instructions to operate the power tool.** Power tools are dangerous in the hands of untrained users.
- e) **Maintain power tools and accessories. Check for misalignment or binding of moving parts, breakage of parts and any other condition that may affect the power tool's operation. If damaged, have the power tool repaired before use.** Many accidents are caused by poorly maintained power tools.
- f) **Keep cutting tools sharp and clean.** Properly maintained cutting tools with sharp cutting edges are less likely to bind and are easier to control.

- g) **Use the power tool, accessories and tool bits, etc. in accordance with these instructions, taking into account the working conditions and the work to be performed.** Use of the power tool for operations different from those intended could result in a hazardous situation.
- h) **Keep handles and grasping surfaces dry, clean and free from oil and grease.** Slippery handles and grasping surfaces do not allow for safe handling and control of the tool in unexpected situations.

5) Battery Tool Use and Care

- a) **Recharge only with the charger specified by the manufacturer.** A charger that is suitable for one type of battery pack may create a risk of fire when used with another battery pack.
- b) **Use power tools only with specifically designated battery packs.** Use of any other battery packs may create a risk of injury and fire.
- c) **When battery pack is not in use, keep it away from other metal objects, like paper clips, coins, keys, nails, screws or other small metal objects, that can make a connection from one terminal to another.** Shorting the battery terminals together may cause burns or a fire.
- d) **Under abusive conditions, liquid may be ejected from the battery; avoid contact. If contact accidentally occurs, flush with water. If liquid contacts eyes, additionally seek medical help.** Liquid ejected from the battery may cause irritation or burns.
- e) **Do not use a battery pack or tool that is damaged or modified.** Damaged or modified batteries may exhibit unpredictable behaviour resulting in fire, explosion or risk of injury.
- f) **Do not expose a battery pack or tool to fire or excessive temperature.** Exposure to fire or temperature above 130 °C may cause explosion.
- g) **Follow all charging instructions and do not charge the battery pack or tool outside the temperature range specified in the instructions.** Charging improperly or at temperatures outside the specified range may damage the battery and increase the risk of fire.

6) Service

- a) **Have your power tool serviced by a qualified repair person using only identical replacement parts.** This will ensure that the safety of the power tool is maintained.
- b) **Never service damaged battery packs.** Service of battery packs should only be performed by the manufacturer or authorized service providers.

Additional Specific Safety Rules for Impact Drivers

- **Hold power tool by insulated gripping surfaces when performing an operation where the fastener may contact hidden wiring.** Fasteners contacting a "live" wire may make exposed metal parts of the power tool "live" and could give the operator an electric shock.

Residual Risks

In spite of the application of the relevant safety regulations and the implementation of safety devices, certain residual risks cannot be avoided. These are:

- Impairment of hearing.
- Risk of personal injury due to flying particles.
- Risk of burns due to accessories becoming hot during operation.
- Risk of personal injury due to prolonged use.

SAVE THESE INSTRUCTIONS

Chargers

DeWALT chargers require no adjustment and are designed to be as easy as possible to operate.

Electrical Safety

The electric motor has been designed for one voltage only. Always check that the battery pack voltage corresponds to the voltage on the rating plate. Also make sure that the voltage of your charger corresponds to that of your mains.



Your DeWALT charger is double insulated in accordance with IEC 60335; therefore no earth wire is required.

If the supply cord is damaged, it must be replaced by a specially prepared cord available through the DeWALT service organisation.

Using an Extension Cable

An extension cord should not be used unless absolutely necessary. Use an approved extension cable suitable for the power input of your charger (see **Technical Data**). The minimum conductor size is 1 mm²; the maximum length is 30 m.

When using a cable reel, always unwind the cable completely.

Important Safety Instructions for All Battery Chargers

SAVE THESE INSTRUCTIONS: This manual contains important safety and operating instructions for compatible battery chargers (refer to **Technical Data**).

- Before using charger, read all instructions and cautionary markings on charger, battery pack, and product using battery pack.



WARNING: Shock hazard. Do not allow any liquid to get inside charger. Electric shock may result.



WARNING: We recommend the use of a residual current device with a residual current rating of 30mA or less.



CAUTION: Burn hazard. To reduce the risk of injury, charge only DeWALT rechargeable batteries. Other types of batteries may burst causing personal injury and damage.



CAUTION: Children should be supervised to ensure that they do not play with the appliance.

NOTICE: Under certain conditions, with the charger plugged into the power supply, the exposed charging contacts inside the charger can be shorted by foreign material. Foreign materials of a conductive nature such

as, but not limited to, steel wool, aluminum foil or any buildup of metallic particles should be kept away from charger cavities. Always unplug the charger from the power supply when there is no battery pack in the cavity. Unplug charger before attempting to clean

- **DO NOT attempt to charge the battery pack with any chargers other than the ones in this manual.** The charger and battery pack are specifically designed to work together.
- **These chargers are not intended for any uses other than charging DEWALT rechargeable batteries.** Any other uses may result in risk of fire, electric shock or electrocution.
- **Do not expose charger to rain or snow.**
- **Pull by plug rather than cord when disconnecting charger.** This will reduce risk of damage to electric plug and cord.
- **Make sure that cord is located so that it will not be stepped on, tripped over, or otherwise subjected to damage or stress.**
- **Do not use an extension cord unless it is absolutely necessary.** Use of improper extension cord could result in risk of fire, electric shock, or electrocution.
- **Do not place any object on top of charger or place the charger on a soft surface that might block the ventilation slots and result in excessive internal heat.** Place the charger in a position away from any heat source. The charger is ventilated through slots in the top and the bottom of the housing.
- **Do not operate charger with damaged cord or plug—** have them replaced immediately.
- **Do not operate charger if it has received a sharp blow, been dropped, or otherwise damaged in any way.** Take it to an authorised service centre.
- **Do not disassemble charger; take it to an authorised service centre when service or repair is required.** Incorrect reassembly may result in a risk of electric shock, electrocution or fire.
- **In case of damaged power supply cord the supply cord must be replaced immediately by the manufacturer, its service agent or similar qualified person to prevent any hazard.**
- **Disconnect the charger from the outlet before attempting any cleaning. This will reduce the risk of electric shock.** Removing the battery pack will not reduce this risk.
- **NEVER attempt to connect two chargers together.**
- **The charger is designed to operate on standard 220-240V household electrical power. Do not attempt to use it on any other voltage.** This does not apply to the vehicular charger.

Charging a Battery (Fig. B)

1. Plug the charger into an appropriate outlet before inserting battery pack.
2. Insert the battery pack **6** into the charger, making sure the battery pack is fully seated in the charger. The red (charging) light will blink repeatedly indicating that the charging process has started.

3. The completion of charge will be indicated by the red light remaining ON continuously. The battery pack is fully charged and may be used at this time or left in the charger. To remove the battery pack from the charger, push the battery release button **5** on the battery pack.

NOTE: To ensure maximum performance and life of lithium-ion battery packs, charge the battery pack fully before first use.

Charger Operation

Refer to the indicators below for the charge status of the battery pack.

Charge Indicators

	Charging	---	
	Fully Charged	—————	
	Hot/Cold Pack Delay*	--- —————	

*The red light will continue to blink, but a yellow indicator light will be illuminated during this operation. Once the battery pack has reached an appropriate temperature, the yellow light will turn off and the charger will resume the charging procedure. The compatible charger(s) will not charge a faulty battery pack. The charger will indicate faulty battery by refusing to light.

NOTE: This could also mean a problem with a charger.

If the charger indicates a problem, take the charger and battery pack to be tested at an authorised service centre.

Hot/Cold Pack Delay

When the charger detects a battery pack that is too hot or too cold, it automatically starts a Hot/Cold Pack Delay, suspending charging until the battery pack has reached an appropriate temperature. The charger then automatically switches to the pack charging mode. This feature ensures maximum battery pack life.

A cold battery pack will charge at a slower rate than a warm battery pack. The battery pack will charge at that slower rate throughout the entire charging cycle and will not return to maximum charge rate even if the battery pack warms.

The DCB118 charger is equipped with an internal fan designed to cool the battery pack. The fan will turn on automatically when the battery pack needs to be cooled. Never operate the charger if the fan does not operate properly or if ventilation slots are blocked. Do not permit foreign objects to enter the interior of the charger.

Electronic Protection System

XR Li-Ion tools are designed with an Electronic Protection System that will protect the battery pack against overloading, overheating or deep discharge.

The tool will automatically turn off if the Electronic Protection System engages. If this occurs, place the lithium-ion battery pack on the charger until it is fully charged.

Wall Mounting

These chargers are designed to be wall mountable or to sit upright on a table or work surface. If wall mounting, locate the charger within reach of an electrical outlet, and away from a

corner or other obstructions which may impede air flow. Use the back of the charger as a template for the location of the mounting screws on the wall. Mount the charger securely using drywall screws (purchased separately) at least 25.4 mm long with a screw head diameter of 7–9 mm, screwed into wood to an optimal depth leaving approximately 5.5 mm of the screw exposed. Align the slots on the back of the charger with the exposed screws and fully engage them in the slots.

Charger Cleaning Instructions



WARNING: Shock hazard. Disconnect the charger from the AC outlet before cleaning. Dirt and grease may be removed from the exterior of the charger using a cloth or soft non-metallic brush. Do not use water or any cleaning solutions. Never let any liquid get inside the tool; never immerse any part of the tool into a liquid.

Battery Packs

Important Safety Instructions for All Battery Packs

When ordering replacement battery packs, be sure to include catalog number and voltage.

The battery pack is not fully charged out of the carton. Before using the battery pack and charger, read the safety instructions below. Then follow charging procedures outlined.

READ ALL INSTRUCTIONS

- **Do not charge or use battery in explosive atmospheres, such as in the presence of flammable liquids, gases or dust.** Inserting or removing the battery from the charger may ignite the dust or fumes.
- **Never force battery pack into charger. Do not modify battery pack in any way to fit into a non-compatible charger as battery pack may rupture causing serious personal injury.**
- Charge the battery packs only in DEWALT chargers.
- **DO NOT splash or immerse in water or other liquids.**
- **Do not store or use the tool and battery pack in locations where the temperature may reach or exceed 40 °C (104 °F) (such as outside sheds or metal buildings in summer).**
- **Do not incinerate the battery pack even if it is severely damaged or is completely worn out.** The battery pack can explode in a fire. Toxic fumes and materials are created when lithium-ion battery packs are burned.
- **If battery contents come into contact with the skin, immediately wash area with mild soap and water.** If battery liquid gets into the eye, rinse water over the open eye for 15 minutes or until irritation ceases. If medical attention is needed, the battery electrolyte is composed of a mixture of liquid organic carbonates and lithium salts.
- **Contents of opened battery cells may cause respiratory irritation.** Provide fresh air. If symptoms persists, seek medical attention.



WARNING: Burn hazard. Battery liquid may be flammable if exposed to spark or flame.



WARNING: Never attempt to open the battery pack for any reason. If battery pack case is cracked or damaged, do not insert into charger. Do not crush, drop or damage battery pack. Do not use a battery pack or charger that has received a sharp blow, been dropped, run over or damaged in any way (i.e., pierced with a nail, hit with a hammer, stepped on). Electric shock or electrocution may result. Damaged battery packs should be returned to service centre for recycling.



WARNING: Fire hazard. Do not store or carry the battery pack so that metal objects can contact exposed battery terminals. For example, do not place the battery pack in aprons, pockets, tool boxes, product kit boxes, drawers, etc., with loose nails, screws, keys, etc.



CAUTION: When not in use, place tool on its side on a stable surface where it will not cause a tripping or falling hazard. Some tools with large battery packs will stand upright on the battery pack but may be easily knocked over.

Transportation



WARNING: Fire hazard. Transporting batteries can possibly cause fire if the battery terminals inadvertently come in contact with conductive materials. When transporting batteries, make sure that the battery terminals are protected and well insulated from materials that could contact them and cause a short circuit.

NOTE: Lithium-ion batteries should not be put in checked baggage.

DEWALT batteries comply with all applicable shipping regulations as prescribed by industry and legal standards which include UN Recommendations on the Transport of Dangerous Goods; International Air Transport Association (IATA) Dangerous Goods Regulations, International Maritime Dangerous Goods (IMDG) Regulations, and the European Agreement Concerning The International Carriage of Dangerous Goods by Road (ADR). Lithium-ion cells and batteries have been tested to section 38.3 of the UN Recommendations on the Transport of Dangerous Goods Manual of Tests and Criteria.

In most instances, shipping a DEWALT battery pack will be excepted from being classified as a fully regulated Class 9 Hazardous Material. In general, only shipments containing a lithium-ion battery with an energy rating greater than 100 Watt Hours (Wh) will require being shipped as fully regulated Class 9. All lithium-ion batteries have the Watt Hour rating marked on the pack. Furthermore, due to regulation complexities, DEWALT does not recommend air shipping lithium-ion battery packs alone regardless of Watt Hour rating. Shipments of tools with batteries (combo kits) can be air shipped as excepted if the Watt Hour rating of the battery pack is no greater than 100 Whr. Regardless of whether a shipment is considered excepted or fully regulated, it is the shipper's responsibility to consult the latest regulations for packaging, labeling/markings and documentation requirements.

The information provided in this section of the manual is provided in good faith and believed to be accurate at the time the document was created. However, no warranty, expressed or

implied, is given. It is the buyer's responsibility to ensure that its activities comply with the applicable regulations.

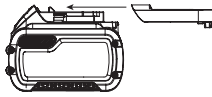
Transporting the FLEXVOLT™ Battery

The DEWALT FLEXVOLT™ battery has two modes: **Use** and **Transport**.

Use Mode: When the FLEXVOLT™ battery stands alone or is in a DEWALT 18V product, it will operate as an 18V (20V Max) battery. When the FLEXVOLT™ battery is in a 54V (60V Max) or a 108V (120V Max) (two 54V (60V Max) batteries) product, it will operate as a 54V battery.

Transport Mode: When the cap is attached to the FLEXVOLT™ battery, the battery is in Transport mode. Keep the cap for shipping.

When in Transport mode, strings of cells are electrically disconnected within the pack resulting in 3 batteries with a lower Watt hour (Wh) rating as compared to 1 battery with a higher Watt hour rating. This increased quantity of 3 batteries with the lower Watt hour rating can exempt the pack from certain shipping regulations that are imposed upon the higher Watt hour batteries.



Example of Use and Transport Label Marking



For example, the Transport Wh rating might indicate 3 x 36 Wh, meaning 3 batteries of 36 Wh each.

The Use Wh rating might indicate 108 Wh (1 battery implied).

Storage Recommendations

1. The best storage place is one that is cool and dry away from direct sunlight and excess heat or cold. For optimum battery performance and life, store battery packs at room temperature when not in use.
2. For long storage, it is recommended to store a fully charged battery pack in a cool, dry place out of the charger for optimal results.

NOTE: Battery packs should not be stored completely depleted of charge. The battery pack will need to be recharged before use.

Labels on Charger and Battery Pack

In addition to the pictographs used in this manual, the labels on the charger and the battery pack may show the following pictographs:



Read instruction manual before use.



See **Technical Data** for charging time.



Do not probe with conductive objects.



Do not charge damaged battery packs.



Do not expose to water.



Have defective cords replaced immediately.



Charge only between 4 °C and 40 °C.



Only for indoor use.



LI-ION

Discard the battery pack with due care for the environment.



Charge DEWALT battery packs only with designated DEWALT chargers. Charging battery packs other than the designated DEWALT batteries with a DEWALT charger may make them burst or lead to other dangerous situations.



Do not incinerate the battery pack.



USE (without transport cap). Example: Wh rating indicates 108 Wh (1 battery with 108 Wh).



TRANSPORT (with built-in transport cap). Example: Wh rating indicates 3 x 36 Wh (3 batteries of 36 Wh).

Battery Type

The DCF840 operates on an 18V volt (20V Max) battery pack.

Battery Type

The following tools operate on a 18 volt (20V Max) battery pack: DCF840

These battery packs may be used: DCB180, DCB181, DCB182, DCB183, DCB184, DCB203, DCB204, DCB205, DCB185, DCB186, DCB187, DCB189, DCB208, DCB240, DCBP034, DCB546, DCB547, DCB548, DCB549, DCB606, DCB609, DCB612, DCB615. Refer to **Technical Data** for more information.

Package Contents

The package contains:

- 1 Impact driver
 - 1 Charger
 - 1 Belt hook (included with some models)
 - 1 Kitbox (included with some models)
 - 1 Li-Ion battery pack (C1, D1, E1, L1, M1, P1, S1, T1, X1, Y1 models)
 - 2 Li-Ion battery packs (C2, D2, E2, L2, M2, P2, S2, T2, X2, Y2 models)
 - 3 Li-Ion battery packs (C3, D3, E3, L3, M3, P3, S3, T3, X3, Y3 models)
 - 1 Instruction manual
- Check for damage to the tool, parts or accessories which may have occurred during transport.

- Take the time to thoroughly read and understand this manual prior to operation.

NOTE: Battery packs, chargers and kitboxes are not included with N-models.

Markings on Tool

The following pictograms are shown on the tool:



Read instruction manual before use.



Visible radiation. Do not stare into light.

Date Code Position (Fig. A)

The date code **10**, which also includes the year of manufacture, is printed into the housing.

Example:

2022 XX XX

Year of Manufacture

Description (Fig. A)



WARNING: Never modify the power tool or any part of it. Damage or personal injury could result.

- | | |
|-----------------------------------|---|
| 1 Trigger switch | 6 Battery pack |
| 2 Forward/reverse button | 7 Worklights |
| 3 Chuck collar | 8 Belt hook (included with some models) |
| 4 6.35 mm hex quick-release chuck | 9 Screw |
| 5 Battery release button | |

Intended Use

This impact driver is designed for professional impact screwdriving applications. The impact function makes this tool particularly useful for driving fasteners in wood, metal and concrete.

DO NOT use under wet conditions or in the presence of flammable liquids or gases.

This impact driver is a professional power tool.

DO NOT let children come into contact with the tool. Supervision is required when inexperienced operators use this tool.

- **Young children and the infirm.** This appliance is not intended for use by young children or infirm persons without supervision.
- This product is not intended for use by persons (including children) suffering from diminished physical, sensory or mental abilities; lack of experience, knowledge or skills unless they are supervised by a person responsible for their safety. Children should never be left alone with this product.

ASSEMBLY AND ADJUSTMENTS



WARNING: To reduce the risk of serious personal injury, turn tool off and disconnect battery pack before making any adjustments or removing/installing attachments or accessories. An accidental start-up can cause injury.



WARNING: Use only DEWALT battery packs and chargers.

Inserting and Removing the Battery Pack from the Tool (Fig. B)

NOTE: Make sure your battery pack **6** is fully charged.

To Install the Battery Pack into the Tool Handle

1. Align the battery pack **6** with the rails inside the tool's handle (Fig. B).
2. Slide it into the handle until the battery pack is firmly seated in the tool and ensure that you hear the lock snap into place.

To Remove the Battery Pack from the Tool

1. Press the release button **5** and firmly pull the battery pack out of the tool handle.
2. Insert battery pack into the charger as described in the charger section of this manual.

Fuel Gauge Battery Packs (Fig. B)

Some DEWALT battery packs include a fuel gauge which consists of three green LED lights that indicate the level of charge remaining in the battery pack.

To actuate the fuel gauge, press and hold the fuel gauge button. A combination of the three green LED lights will illuminate designating the level of charge left. When the level of charge in the battery is below the usable limit, the fuel gauge will not illuminate and the battery will need to be recharged.

NOTE: The fuel gauge is only an indication of the charge left on the battery pack. It does not indicate tool functionality and is subject to variation based on product components, temperature and end-user application.

Belt Hook (Fig. A) (Optional Accessories)



WARNING: To reduce the risk of serious personal injury, **DO NOT** suspend tool overhead or suspend objects from the belt hook. **ONLY** hang tool's belt hook from a work belt.



WARNING: To reduce the risk of serious personal injury, ensure the screw holding the belt hook is secure.

IMPORTANT: When attaching or replacing a belt hook, use only the screw that is provided. Be sure to securely tighten the screw.

A belt hook **8** can be attached to either side of the tool using only the screw **9** provided, to accommodate left- or right-handed users. If the hook is not desired at all, it can be removed from the tool.

To move the belt hook, remove the screw **9** that holds it in place then reassemble on the opposite side. Be sure to securely tighten the screw.

OPERATION

Instructions for Use



WARNING: Always observe the safety instructions and applicable regulations.



WARNING: To reduce the risk of serious personal injury, turn tool off and disconnect battery pack before making any adjustments or removing/

installing attachments or accessories. An accidental start-up can cause injury.

Proper Hand Position (Fig. D)



WARNING: To reduce the risk of serious personal injury, **ALWAYS** use proper hand position as shown.



WARNING: To reduce the risk of serious personal injury, **ALWAYS** hold securely in anticipation of a sudden reaction.

Proper hand position requires one hand on the main handle **11**

Variable Speed Trigger Switch (Fig. A)

To turn the tool on, squeeze the trigger switch **1**. To turn the tool off, release the trigger switch. Your tool is equipped with a brake. The chuck will stop when the trigger switch is fully released.

The variable speed switch enables you to start the application at a slow speed. The further you squeeze the trigger, the faster the tool will operate. For maximum tool life, use variable speed only for starting holes or fasteners.

NOTE: Continuous use in variable speed range is not recommended. It may damage the switch and should be avoided.

Forward/Reverse Control Button (Fig. A)

A forward/reverse control button **2** determines the direction of the tool and also serves as a lock-off button.

To select forward rotation, release the trigger switch and depress the forward/reverse control button on the right side of the tool.

To select reverse, depress the forward/reverse control button on the left side of the tool. The centre position of the control button locks the tool in the off position. When changing the position of the control button, be sure the trigger is released.

NOTE: The first time the tool is run after changing the direction of rotation, you may hear a click on start up. This is normal and does not indicate a problem.

Worklights (Fig. A)

There are worklights **7** located above the trigger switch **1**. The worklights will be activated when the trigger switch is depressed. When the trigger is released, the worklights will stay illuminated for up to 20 seconds. If the trigger switch remains depressed, the worklights will remain on.

NOTE: The worklights are for lighting the immediate work surface and are not intended to be used as a flashlight.

Quick-Release Chuck (Fig. A, C)



WARNING: Use only impact accessories. Non-impact accessories may break and cause a hazardous condition. Inspect accessory prior to use to ensure that it contains no cracks.

NOTE: The chuck accepts 6.35mm hex accessories only.

Place the forward/reverse button **2** in the locked off (centre) position or remove battery pack before changing accessories.

To install an accessory, push accessory to fully insert into chuck **4**. The chuck collar **3** does not need to be pulled up to lock accessory in place.

To remove an accessory, pull the chuck collar away from the front of the tool. Remove the accessory and release the collar.

Usage

Your impact tool generates the following maximum torque:

Cat #	Nm	Ft.-Lbs.	In.-Lbs
DCF840	192	142.6	1700



CAUTION: Ensure fastener and/or system will withstand the level of torque generated by the tool. Excessive torque may cause breakage and possible personal injury.

- Place the accessory on the fastener head. Keep the tool pointed straight at the fastener.
- Press switch to start operation. Release the switch to stop operation. Always check torque with a torque wrench, as the fastening torque is affected by many factors including the following:

- Voltage:** Low voltage, due to a nearly discharged battery, will reduce fastening torque.
- Accessory size:** Failure to use the correct accessory size will cause a reduction in fastening torque.
- Bolt Size:** Larger bolt diameters generally require higher fastening torque. Fastening torque will also vary according to length, grade, and torque coefficient.
- Bolt:** Ensure that all threads are free of rust and other debris to allow proper fastening torque.
- Material:** The type of material and surface finish of the material will affect fastening torque.
- Fastening Time:** Longer fastening time results in increased fastening torque. Using a longer fastening time than recommended could cause the fasteners to be overstressed, stripped or damaged.

MAINTENANCE

Your DEWALT power tool has been designed to operate over a long period of time with a minimum of maintenance. Continuous satisfactory operation depends upon proper tool care and regular cleaning.



WARNING: To reduce the risk of serious personal injury, turn tool off and disconnect battery pack before making any adjustments or removing/installing attachments or accessories. An accidental start-up can cause injury.

The charger and battery pack are not serviceable.



Lubrication

Your power tool requires no additional lubrication.



Cleaning

WARNING: Blow dirt and dust out of the main housing with dry air as often as dirt is seen collecting in and around the air vents. Wear approved eye protection and approved dust mask when performing this procedure.

WARNING: Never use solvents or other harsh chemicals for cleaning the non-metallic parts of the tool. These chemicals may weaken the materials used in these parts. Use a cloth dampened only with water and mild soap. Never let any liquid get inside the tool; never immerse any part of the tool into a liquid.

Optional Accessories

WARNING: Since accessories, other than those offered by DEWALT, have not been tested with this product, use of such accessories with this tool could be hazardous.

WARNING: Use only impact accessories. Non-impact accessories may break and cause a hazardous condition. Inspect accessories prior to use to ensure that they contain no cracks.

Consult your dealer for further information on the appropriate accessories.

Protecting the Environment



Separate collection. Products and batteries marked with this symbol must not be disposed of with normal household waste.

Products and batteries contain materials that can be recovered or recycled reducing the demand for raw materials. Please recycle electrical products and batteries according to local provisions. Further information is available at www.2helpU.com.

Rechargeable Battery Pack

This long life battery pack must be recharged when it fails to produce sufficient power on jobs which were easily done before. At the end of its technical life, discard it with due care for our environment:

- Run the battery pack down completely, then remove it from the tool.
- Li-Ion cells are recyclable. Take them to your dealer or a local recycling station. The collected battery packs will be recycled or disposed of properly.

After Service and Repair

DEWALT service centers are staffed with trained personnel to provide customers with efficient and reliable product service. We do not take any responsibility when you have repaired in unauthorized service center. You can refer to the leaflet of CONTACT CENTER LOCATOR in product package and contact us through hotline, website or social media to find the nearest DEWALT service center around you.

충전 브러쉬리스 컴팩트 임팩 드라이버 DCF840

축하합니다!

DeWALT 공구를 선택해 주셔서 감사드립니다. DeWALT 는 오랜 경험을 토대로 한 제품 개발 및 혁신을 통해 전문 사용자들이 가장 인정하는 기업으로 자리잡아왔습니다.

기술 데이터

		DCF840
전압	V _{DC}	18 (최대 20)
배터리 유형		리튬 이온
전원 출력	W	380
무부하 속도	RPM	0-3200
분당 타격수	IPM	0-4200
최대 토크	Nm	192
공구 홀더	mm	6.35
무게 (배터리 팩 제외)	kg	0.88

배터리				충전기 / 충전 시간 (분)						
Cat#	V _{DC}	Ah	Weight(kg)	DCB104	DCB107	DCB112	DCB115	DCB117 DCB112	DCB118	DCB132
DCB546/DCB606	18/54 (20/60 Max)	6.0/2.0	1.08	60	270	170	90	40	60	90
DCB547/DCB609	18/54 (20/60 Max)	9.0/3.0	1.46	75*	420	270	135*	60	75*	135*
DCB548/DCB612	18/54 (20/60 Max)	12.0/4.0	1.46	120	540	350	180	80	120	180
DCB549/DCB615	18/54 (20/60 Max)	15.0/5.0	2.12	125	730	450	230	90	125	230
DCB180	18 (20 Max)	3.0	0.62	45	140	90	45	45	45	45
DCB181	18 (20 Max)	1.5	0.35	22	70	45	22	22	22	22
DCB182/DCB204	18 (20 Max)	4.0	0.61	60/40**	185	120	60	60/40**	60/40**	60
DCB183/DCB203	18 (20 Max)	2.0	0.40	30	90	60	30	30	30	30
DCB184/DCB205	18 (20 Max)	5.0	0.62	75/50**	240	150	75	75/50**	75/50**	75
DCB185	18 (20 Max)	1.3	0.35	22	60	40	22	22	22	22
DCB187	18 (20 Max)	3.0	0.54	45	140	90	45	45	45	45
DCB189/DCB240	18 (20 Max)	4.0	0.54	60	185	120	60	60	60	60
DCB186	18 (20 Max)	6.0	0.95	60	270	170	90	60	60	90
DCB208	18 (20 Max)	8.0	0.95	70	360	240	120	70	70	120
DCBP034	18 (20 Max)	1.7	0.32	27	82	50	27	27	27	27

*Date code 201811475B 또는 그 이후

**Date code 201536 또는 그 이후



경고: 부상 위험을 줄이려면 사용 설명서를 읽으십시오.

정의: 안전 지침

다음 정의는 각 경고 문구의 심각도를 설명합니다. 사용 설명서를 읽고 다음 기호들에 유의하십시오.



위험: 절박한 위험 상태를 나타내며, 방지하지 않으면, 사망 또는 심각한 부상을 초래합니다



경고: 잠재적 위험 상태를 나타내며, 방지하지 않으면, 사망 또는 심각한 부상을 초래할 수 있습니다.



주의: 잠재적으로 위험한 상태를 나타내며, 방지하지 않으면 경미하거나 가벼운 부상을 초래할 수 있습니다.

참고: 신체 부상을 초래하지 않는 행위를 나타내며 방지하지 않으면 재산상의 손해가 발생할 수 있습니다.



감전 위험을 나타냅니다.



화재 위험을 나타냅니다.

전동 공구에 관한 일반 안전 경고



경고: 이 전동 공구와 함께 제공되는 모든 안전 경고와 지시사항, 설명 및 사양을 읽으십시오. 아래 설명한 모든 지시 사항을 따르지 않으면 감전, 화재 및/또는 심각한 부상을 초래할 수 있습니다.

나중에 참조할 수 있도록 모든 경고 및 지침을 저장하십시오.

경고에서 사용된 "전동 공구" 라는 용어는 주 공급 전원에 의해 전기가 공급되는 (유선) 전동 공구 또는 충전식 (무선) 전동 공구를 의미합니다.

1) 작업장 안전

- 작업장을 항상 청결하고 밝게 유지하십시오. 혼잡하거나 어두운 작업장에서는 사고가 발생하기 쉽습니다.
- 가연성 액체, 가스 또는 먼지 등이 있는 폭발성 대기에서 전동 공구를 사용하지 마십시오. 전동 공구에서 먼지나 가스를 발화시킬 수 있는 불꽃이 될 수 있습니다.
- 전동 공구로 작업하는 동안에는 어린이와 주변 사람들이 작업 영역에 가까이 들어오지 못하도록 하십시오. 주변이 산만해져 통제력을 잃을 수 있습니다.

2) 전기 안전

- 동공구의 플러그는 콘센트와 형식이 일치해야 하며, 플러그를 어떤 형태로든 개조하지 마십시오. 또한 접지된 전동공구에 다른 어댑터 플러그를 사용하지 마십시오. 개조되지 않은 플러그 및 형식이 일치하는 콘센트를 사용하면 감전 위험이 줄어듭니다.
- 파이프 관, 라디에이터, 렌지, 냉장고 등의 접지 표면에 물이 닿지 않도록 하십시오. 몸에 닿을 경우 감전이 될 위험이 높아집니다.
- 전동 공구를 비 또는 습한 환경에 노출하지 않도록 주의하십시오. 전동 공구에 물이 들어가면 감전 위험이 높아집니다.
- 코드를 합부로 다루지 마십시오. 코드를 사용하여 전동공구를 운반하거나, 코드를 과도하게 잡아당겨서 플러그를 뽑지 않도록 주의하십시오. 전열코드가 열기 또는 오일과 접촉되는 것을 피하고, 날카로운 모서리 또는 기기의 기둥 부위에 닿지 않도록 주의 하십시오. 코드가 손상되거나 얽혀 있으면 감전 위험이 높아집니다.
- 전동 공구를 실외에서 사용할 때는 실외 사용에 적합한 연장 코드를 사용하십시오. 실외 사용에 적합한 코드를 사용하면 감전 위험이 줄어듭니다.
- 전동공구를 습한 공간에서 사용할 경우, 반드시 누전 차단기를 사용하십시오. 누전 차단기 (RCD) 를 사용하면 감전의 위험이 줄어듭니다. RCD 를 사용하면 감전 위험이 줄어듭니다.

3) 신체 안전 사항

- 전동 공구로 작업할 때는 방심하지 말고 작업에 주의하면서 상식에 따르십시오. 피곤한 상태이거나 약물, 술, 치료제를 복용한 상태에서는 전동 공구를 사용하지 마십시오. 전동 공구를 사용하다 잠깐만 한 눈을 팔아도 심각한 부상을 당할 수 있습니다.
- 신체 보호 장비를 착용하십시오. 항상 보안경을 착용하십시오. 적합한 상황에서 방진 마스크, 미끄럼 방지

안전화, 안전모 또는 청력 보호 기구 등의 보호 장비를 사용하면 신체 부상이 줄어듭니다.

- 의도하지 않은 장비 가동 방지. 전원 및/또는 배터리 팩에 연결한 상태로 공구를 선택 또는 운반할 때는 사전에 스위치가 꺼짐 위치에 있는지 반드시 확인하십시오. 스위치가 꺼짐 위치에 있는 상태에서 스위치에 손가락이 닿은 상태로 전동 공구를 운반하거나 전동 공구에 전원을 공급하면 사고가 발생합니다.
- 전동 공구를 켜기 전에 모든 조정 키 또는 렌치를 제거하십시오. 전동 공구의 회전 부품에 렌치나 키가 부착되어 있으면 부상을 당할 수 있습니다.
- 무리하게 팔을 뻗지 마십시오. 항상 올바른 자세로 서서 균형을 유지하십시오. 안정된 자세로 작업을 할 경우 전동 공구를 안전하게 사용할 수 있습니다.
- 적절한 의복을 착용하십시오. 헐렁한 옷이나 장신구를 착용하지 마십시오. 머리카락과 옷이 움직이는 부품에 닿지 않도록 유의하십시오. 헐렁한 옷, 장신구 또는 긴 머리카락이 움직이는 부품에 걸 수 있습니다.
- 먼지 배출 및 집진 시설 연결을 위한 장치가 제공된 경우, 이를 장치가 연결되어 적절히 사용되고 있는지 반드시 확인하십시오. 집진 장치를 사용하면 먼지와 관련된 위험을 줄일 수 있습니다.
- 장치를 자주 사용함으로써 생긴 익숙함으로 인해 현실에 안주하거나 공구 안전 원칙을 무시하지 않도록 하십시오. 부주의한 작동은 순식간에 심각한 부상을 야기할 수 있습니다.

4) 전동 공구 사용 및 관리

- 전동 공구에 무리한 힘을 가하지 마십시오. 해당 용도에 맞는 올바른 전동 공구를 사용하십시오. 올바른 전동 공구를 사용해야 설계된 속도로 작업을 더욱 안전하고 정확하게 수행할 수 있습니다.
- 켜지지 않거나 꺼지지 않는 경우 전동 공구를 사용하지 마십시오. 스위치로 제어되지 않는 전동 공구는 위험하므로 수리해야 합니다.
- 전동 공구를 조정하거나 액세서리를 변경하거나 보관하기 전에 전동 공구에서 분리되는 경우 전원에서 플러그를 뽑거나 또는 배터리 팩을 분리하십시오. 이러한 예방적 안전 조치를 따라야 전동 공구가 갑자기 작동할 위험이 줄어듭니다.
- 사용하지 않는 전동 공구는 어린이의 손이 닿지 않는 곳에 보관하고, 전동 공구나 본 지시 사항에 익숙하지 않은 사람이 전동 공구를 절대 사용하지 못하게 하십시오. 전동 공구는 훈련을 받지 않은 사용자가 다루면 위험합니다.
- 전동 공구 및 액세서리 유지 보수. 움직이는 부품의 잘못된 정렬이나 바인딩, 부품 파손 및 기타 전동 공구의 작동에 영향을 미칠 수 있는 기타 모든 상태를 확인하십시오. 손상된 부분이 있는 경우 사용하기 전에 전동 공구를 수리하십시오. 많은 사고는 전동 공구를 제대로 유지 보수하지 않아 발생합니다.
- 공구를 깨끗한 상태로 유지하십시오. 가장자리를 예리하게 잘 유지하면 작업이, 바인딩이 적고 다루기가 용이합니다.
- 작업 환경과 수행할 작업을 고려하여, 본 지시 사항에 따라 전동 공구, 액세서리 및 톨 비트 등을 사용하십시오. 본 사용

설명서의 내용과 다른 용도로 전동 공구를 사용하면 위험한 상황이 발생할 수 있습니다.

- h) **핸들과 잡는 표면은 건조하고 깨끗한 상태를 유지하고 오일/기름이 묻지 않도록 하십시오.** 미끄러운 핸들과 잡는 면은 예기치 못한 상황에서 안전한 취급과 공구 관리를 보장하지 않습니다.

5) 배터리 공구 사용 및 주의 사항

- a) **다시 충전할 때는 제조업체에서 지정한 충전기만 사용하십시오.** 하나의 배터리 팩 유형에 적합한 충전기를 다른 배터리 팩과 함께 사용할 경우 화재의 위험이 있습니다.
- b) **전동 공구를 사용할 때는 구체적으로 지정되어 있는 배터리 팩만 사용하십시오.** 다른 배터리 팩을 사용하면 부상을 입거나 화재의 위험이 있습니다.
- c) **배터리 팩을 사용하지 않을 때에는 클립, 동전, 키, 못, 나사 등의 금속 물체나, 단자 간에 연결할 수 있는 작은 금속 물체가 닿지 않도록 멀리 두십시오.** 배터리 단자가 단락되면 화상을 입거나 화재의 위험이 있습니다.
- d) **배터리를 과다 사용하면 액체가 배터리에서 흘러 나올 수 있으므로, 접촉을 피하십시오.** 실수로 접촉한 경우에는 물로 씻으십시오. 액체가 눈에 들어간 경우 치료를 받으십시오. 배터리에서 나온 액체는 통증을 유발하거나 화상을 입힐 수 있습니다.
- e) **손상되거나 변경된 배터리 팩 또는 공구를 사용하지 마십시오.** 손상되거나 개조된 배터리는 예측할 수 없는 작용을 보여, 화재, 폭발 또는 부상 위험을 야기할 수 있습니다.
- f) **배터리 팩 또는 공구를 불이나 과도한 온도에 노출하지 마십시오.** 불 또는 130 °C 이상의 온도에 노출되면 폭발할 수 있습니다.
- g) **모든 충전 지침을 따르고 배터리 팩 또는 공구를 설명서에 지정된 범위 밖의 온도에서 충전하지 마십시오.** 적절하지 않게 충전하거나 지정된 범위 밖의 온도에서 충전하면 배터리가 손상되어 화재 위험이 증가될 수 있습니다.

6) 정비

- a) **자격을 갖춘 기술자가 동일 교체 부품을 사용하여 정비 작업을 수행해야 합니다.** 그래야 전동 공구의 안전이 보장됩니다.
- b) **손상된 배터리 팩을 정비하지 마십시오.** 배터리 팩은 제조업체 또는 공인 서비스 공급업체를 통해서만 점검을 받아야 합니다.

임팩트 드라이버에 대한 추가 특정 안전 규칙

- 패스너가 숨겨진 배선과 접촉할 수 있는 작업을 수행할 때는 절연 그림 표면으로 전동 공구를 잡으십시오. "전기가 통하는" 전선과 접촉하는 패스너는 전동 공구의 노출 된 금속 부분을 "통전"시켜 작업자가 감전될 수 있습니다.

기타 발생 가능한 위험

관련된 안전 규정을 준수하고 안전 장치를 사용한다고 해도 특정한 위험은 피할 수 없습니다. 다음과 같습니다:

- 청각 장애.
- 파편 날림으로 인한 신체 부상 위험.

- 작업 중 뜨거워지는 액세서리로 인한 화상 위험.
- 장기간 사용으로 인한 부상 위험.

이 지침을 적절하게 보관하십시오

충전기

DEWALT 충전기는 어떠한 조절 작업도 필요 없으며 최대한 작동하기 쉽게 설계되었습니다.

전기 안전

전기 모터는 한 가지 전압에만 맞추어 설계되었습니다. 배터리 팩 전압이 명판에 기재된 전압과 일치하는지 항상 확인하십시오. 또한 충전기의 전압이 주전원의 전압과도 일치하는지 확인하십시오.



DEWALT 충전기는 IEC 60335에 따라 이중 절연되어 있습니다. 따라서 접지선이 필요하지 않습니다.

전원 코드가 손상된 경우 DEWALT 서비스 센터를 통해 제공되는 특별히 준비된 코드로 교체해야 합니다.

연장 케이블 이용

연장 코드는 가끔씩 사용하지 마십시오. 사용 중인 전원공급기 정격전원에 맞는 승인된 연장 코드를 사용하십시오 (기술 데이터참조). 최소 도체 크기는 1mm², 최대 길이는 30m입니다. 케이블 릴을 사용할 때는 항상 케이블을 완전히 푸십시오.

모든 배터리 충전기에 대한 중요한 안전 지침

본 지침을 잘 보관해 두십시오 : 본 사용 설명서에는 호환이 되는 배터리 충전기에 대한 중요한 안전 및 작업 지침이 포함되어 있습니다 (기술 데이터 참조).

- 충전기를 사용하기 전에 충전기, 배터리 팩, 그리고 배터리 팩 관련 제품을 대한 지침과 주의 표시를 숙지하십시오



경고: 감전 위험. 충전기 내부에 액체가 들어가지 않도록 하십시오. 감전될 수 있습니다.



경고: 정격 전류 전류가 30MA 미만인 누전 차단기를 사용하는 것이 좋습니다.



주의: 화상 위험. 신체 부상의 위험을 줄이려면 DEWALT 충전용 배터리로만 충전하십시오. 다른 유형의 배터리는 폭발로 인한 신체 부상과 손상을 초래할 수 있습니다.



주의: 어린이가 본 제품을 가지고 놀지 못하도록 항상 주시해야 합니다.

참고: 특정 조건에서, 충전기가 전원 공급기에 연결되어 있으면 충전기 내부에 노출된 충전 접점이 이물질에 의해 단락될 수 있습니다. 철부스러기, 알루미늄 호일, 금속 입자 축적물 등의 전도성 이물질은 충전기 캐비티에 닿지 않게 해야 합니다. 캐비티 안에 배터리 팩이 없을 경우 항상 배터리 전원 공급기에서 충전기의 플러그를 뽑으십시오. 충전기를 청소할 때는 플러그를 뽑아야 합니다.

- 본 사용 설명서에 명시된 충전기 외의 다른 충전기로 배터리 팩을 충전하지 마십시오.** 본 충전기와 배터리 팩은 함께 사용하도록 특수 설계되었습니다.
- 이러한 충전기는 DEWALT 충전용 배터리 충전 이외의 용도로는 사용하지 않습니다.** 다른 용도로 사용하면 화재, 감전 또는 감전사고의 위험이 있습니다.
- 충전기가 비나 눈을 맞지 않도록 하십시오.**
- 충전기를 분리할 경우 코드가 아니라 플러그를 뽑으십시오.** 그래야만 전기 플러그 및 코드 손상의 위험이 줄어듭니다.

- 코드가 밟히거나 걸리거나 기타 원인에 의해 손상되거나 압박을 받지 않도록 유의하십시오.
- 불가피한 경우가 아니면 연장 코드를 사용하지 마십시오.
연장 코드를 잘못 사용하면 화재, 감전 또는 감전사의 위험이 있습니다.
- 충전기 위에 물건을 올려놓거나 부드러운 표면에 충전기를 두면 환기 슬롯이 막혀 내부가 과열될 수 있습니다. 충전기는 열원에 가까이 두지 마십시오. 충전기는 하우징의 상단과 하단에 있는 슬롯을 통해 환기됩니다.
- 코드나 플러그가 손상된 충전기를 작동시키지 마십시오 — 즉시 교체하십시오.
- 심한 충격을 받았거나 떨어뜨렸거나 어떠한 식으로든 손상된 경우에는 충전기를 작동시키지 마십시오. 공인 서비스 센터로 가져가십시오.
- 충전기를 분해하지 마십시오. 서비스나 수리가 필요한 경우에는 공인 서비스 센터로 가져가십시오. 잘못 재조립하면 감전, 감전사 또는 화재의 위험이 있습니다.
- 전원 코드가 손상된 경우 사고 방지를 위해 제조업체, 서비스 대리점 또는 이에 준하는 유자격 수리 기술자를 통해 즉시 교체하십시오.
- 청소하려면 먼저 충전기를 콘센트에서 분리하십시오. 그래야 감전 위험이 줄어듭니다. 배터리 팩을 제거하는 것으로 이러한 위험이 줄어들지는 않습니다.
- 절대로 충전기 두 개를 함께 연결하지 마십시오.
- 충전기는 가정용 표준 전력 220-240V 으로 작동하도록 설계되어 있습니다. 다른 전압에서는 사용하지 마십시오. 차량용 충전기는 제외됩니다.

배터리 충전 (그림 B)

1. 배터리 팩을 끼우기 전에 충전기를 적절한 콘센트에 꽂습니다.
2. 충전기에 배터리 팩 **6** 을 끼우고 배터리 팩이 완벽히 장착되었는지 확인하십시오. 빨간색 (충전 중) 표시등이 반복해서 깜박이면서 충전 프로세스가 시작되었음을 알립니다.
3. 충전이 완료되면 빨간색 불이 계속 켜져 있습니다. 배터리 팩이 완전히 충전되면 바로 사용하거나 충전기에 그대로 둡니다. 충전기에서 배터리 팩을 분리하려면 배터리 팩의 배터리 분리 버튼 **5** 을 누릅니다.

참고: 리튬이온 배터리 팩의 성능과 수명을 극대화하려면 처음 사용하기 전에 배터리 팩을 완전히 충전시키십시오.

충전기 작동

배터리 팩의 충전 상태는 아래 표시등을 참조하십시오.

충전 표시등	
 충전 중	
 완전 충전됨	
 냉/온 팩 지연*	

*공간색 표시등이 계속 깜박거리지만, 노란색 표시등은 이 작동동안 계속 켜져 있습니다. 배터리 팩이 적정 온도에 도달하면, 노란색 표시등이 꺼지고 충전기에서 충전 절차를 다시 시작합니다.

이 호환 충전기는 결함이 있는 배터리 팩은 충전하지 못합니다. 등이 켜지지 않도록 하여 배터리에 결함이 있음을 표시합니다.

참고: 이는 충전기 고장을 의미할 수도 있습니다.

충전기에 문제가 표시되는 경우 충전기와 배터리 팩을 공인 서비스 센터로 가져 가서 테스트를 받아 보십시오.

냉/온 팩 지연

충전기에서 너무 뜨겁거나 차가운 배터리 팩이 감지되면, 냉/온 팩 지연이 자동으로 시작되어 배터리 팩이 적절한 온도가 될 때까지 충전이 중단됩니다. 이 과정이 끝나면 충전기가 자동으로 팩 충전 모드로 전환됩니다. 이 기능은 배터리 팩 수명을 최대한으로 보장하기 위한 것입니다.

차가운 배터리 팩은 따뜻한 배터리 팩보다 더 느린 속도로 충전됩니다. 충전 사이클 전체에 걸쳐 배터리 팩은 이렇게 느린 속도로 충전되며 배터리 팩이 따뜻해지더라도 최대 충전 속도로 복원되지 않습니다.

DCB118 충전기에는 배터리 팩을 식히기 위해 설계된 내장 팬이 장착되어 있습니다. 배터리 팩을 식혀야 하면 팬이 자동으로 켜집니다. 팬이 제대로 작동하지 않거나 환기구가 막혀 있을 경우 충전기를 작동시키지 마십시오. 이물질이 충전기 내부로 들어가지 않도록 하십시오.

전자 보호 시스템

XR 리튬이온 배터리 팩은 배터리에 과부하가 걸리거나 과열 또는 완전 방전되는 것을 방지하는 전자 보호 시스템으로 설계되었습니다.

이 공구는 전자 보호 시스템이 작동하면 자동으로 꺼집니다. 이러한 경우 리튬 이온 배터리가 완전히 충전될 때까지 충전기에 리튬 이온 배터리 팩을 넣으십시오.

벽 장착

이들 충전기는 테이블 또는 작업 표면에 똑바로 세우거나 벽에 장착할 수 있도록 설계되었습니다. 벽에 장착하는 경우, 충전기는 전기 콘센트에 닿을 수 있는 범위 내에 놓고, 공기 흐름이 방해될 수 있는 코너 또는 기타 장애물로부터 멀리 두십시오. 벽에서 장착 나사의 위치는 견본으로 충전기의 뒤쪽을 사용하십시오. 나사 머리 직경이 7-9 mm 인 최소 25.4 mm 길이의 석고보드 나사(별도 구매) 를 사용해서 충전기를 단단히 장착하고, 노출된 나사의 길이 5.5 mm 를 남겨 두고 최적의 길이로 목재에 고정합니다. 충전기 뒤쪽의 구멍을 노출되어 있는 나사에 맞추고 구멍에 완전히 맞물리도록 하십시오.

충전기 청소 지침

경고: 감전 위험. 청소하려면 먼저 충전기를 AC 콘센트에서 분리하십시오. 형광이나 부드러운 비금속성 브러시로 충전기 외관 부분에 묻은 먼지 및 기름을 제거할 수 있습니다. 물이나 세척제를 사용하지 마십시오. 공구 내부에 액체를 넣거나 공구 부품을 액체에 담그는 행동은 절대 금물입니다.

배터리 팩

모든 배터리 팩에 대한 중요한 안전 지침

배터리 팩을 교체하기 위해 주문할 때는 카탈로그 번호와 전압을 반드시 확인하고 표기해야 합니다.

배터리 팩은 포장박스에서 꺼낼 때 완전히 충전된 상태가 아닙니다. 배터리 팩과 충전기를 사용하기 전에 아래 안전 지침을 숙독하십시오. 그런 다음 설명된 충전 절차를 따르십시오.

모든 지시 사항을 읽으십시오

- 가연성 액체, 가스 또는 먼지 등 폭발 위험이 있는 환경에서 배터리를 충전하거나 사용하지 마십시오. 배터리를 끼우거나 충전기에서 분리할 때 먼지나 가스에 불이 붙을 수 있습니다.
- 충전기에 배터리 팩을 끼울 때 과도한 힘을 주지 마십시오. 어떤 형태론도 호환되지 않는 충전기에 사용하기 위해 배터리 팩을

개조하지 마십시오. 배터리 팩이 파열되어 심각한 부상을 유발할 수 있습니다.

- DEWALT 충전기에서만 배터리 팩을 충전하십시오.
- 물이나 기타 액체가 튀어 묻거나 액체에 빠지지 않도록하십시오.
- 온도가 40°C (104°F) 를 초과할 수 있는 장소 (예 : 여름철 외부 창고 또는 금속 건물) 에서 공구와 배터리 팩을 보관하거나 사용하지 마십시오.
- 배터리 팩이 심하게 손상되었거나 완전히 닳았더라도 소각하지 마십시오. 배터리 팩은 화재로 인해 폭발할 수 있습니다. 리튬이온 배터리 팩은 연소되면서 독성 연기와 물질을 발생시킵니다.
- 배터리 내용물이 피부에 닿으면 즉시 증상 세척제로 해당 부위를 씻으십시오. 배터리액이 눈에 들어갔을 경우, 15분 정도 또는 통증이 가실 때까지 눈을 뜨고 물로 씻어냅니다. 치료가 필요한 경우를 위해, 배터리 전해질은 액체 유기 탄산염과 리튬염의 혼합물로 구성되어 있음을 알아 두십시오.
- 열린 배터리 셀의 내용물은 호흡기 질환을 일으킬 수 있습니다. 신선한 공기를 공급하십시오. 증상이 계속되면 치료를 받으십시오.

경고: 화학 위험. 배터리액은 불꽃이나 화염에 노출되면 연소될 수 있습니다.

경고: 어떤 이유로든 배터리 팩을 열지 마십시오. 배터리 팩 케이스에 금이 가거나 손상된 경우 충전기에 삽입하지 마십시오. 배터리 팩을 문개거나 떨어뜨리거나 손상시키지 마십시오. 날카로운 타격을 받았거나, 떨어뜨리거나, 넘어지거나, 어떤 방식으로든 손상된 (예: 못으로 뚫기, 망치로 두드리기, 발힌) 배터리 팩이나 충전기를 사용하지 마십시오. 감전 또는 감전사의 위험이 있습니다. 손상된 배터리 팩은 재활용을 위해 서비스 센터에 반환해야 합니다.

경고: 화재 위험. 배터리 팩을 보관하거나 휴대할 때는 노출된 배터리 단자에 금속 물체가 닿지 않도록 하십시오. 예를 들어, 못, 나사, 키 등이 있는 암치마, 주머니, 도구상자, 제품 키트 상자, 서랍 등에 배터리 팩을 두지 마십시오.

주의: 사용하지 않을 때는 넘어 지거나 떨어질 위험이 없는 안정된 표면에 공구를 옆으로 놓으십시오. 큰 배터리 팩이있는 일부 공구는 배터리 팩 위에 똑바로 세워져 있지만 쉽게 넘어 질 수 있습니다.

운반

경고: 화재 위험. 배터리를 운반할 때 배터리 단자가 실수로 전도성 물질과 닿을 경우 화재 위험의 가능성이 있습니다. 배터리를 운반할 경우에는 배터리 단자가 보호되어 있고, 물체에 닿을 경우 단락을 일으킬 수 있는 물체로부터 제대로 절연되어 있는지 확인하십시오. **참고:** 리튬이온 배터리는 검사된 수화물에 넣어야 합니다.

DEWALT 배터리는 UN 의 위험물 운송에 관한 권고 (Recommendations on the Transport of Dangerous Goods, RTDG), 국제 항공 운송 협회 (IATA) 의 위험물 규정, 국제해상위험물 (International Maritime Dangerous Goods, IMDG) 규정 및 국제도로위험물품운송에 관한 유럽조약 (European Agreement Concerning The International Carriage of Dangerous Goods by Road (ADR)) 을 포함하여 산업 표준 및 법적 기준에 따라 해당되는 모든 운송 규정을 준수합니다. 리튬 이온 전지 및 배터리는

위험 화물 테스트 및 기준 설명서에 대한 UN 권고 38.3 항에 따라 테스트되었습니다.

대부분의 경우 DeWALT 배터리 팩 배송은 완전히 규제되는 9 등급 위험 물질로 분류되지 않습니다. 일반적으로, 에너지효율 등급이 100 와트시 (Wh) 보다 큰 리튬 이온 배터리를 포함하는 수송품만 완전 규제를 받는 Class 9 에 따라 운송되어야 합니다. 모든 리튬 이온 배터리에는 팩에 와트시 등급이 표시되어 있습니다. 또한 규정의 복잡성으로 인해 DeWALT 는 와트시 등급에 관계없이 리튬 이온 배터리 팩만 항공 운송하는 것을 권장하지 않습니다. 배터리 팩의 와트시 등급이 100 Whr 보다 크지 않을 경우는 제외되므로 배터리 (콤보 키트) 가 포함된 공구의 수송품은 항공 운송할 수 있습니다. 수송품이 예외로 고려되든지 또는 완전 규제를 받든지 여부와 상관 없이, 포장, 라벨링/표시 및 문서 요건에 관한 최신 규정을 찾아보는 것은 운송 회사의 책임입니다.

설명서의 본 색에서 제공되는 정보는 옳다고 믿고 제공되며 문서가 작성되었던 시기에 대한 정확한 것으로 간주됩니다. 단, 보증은 명시적이거나 함축적으로 제공되지 않습니다. 활동 시 해당 규정을 준수하는 것은 구매자의 책임입니다

FLEXVOLT™ 배터리 운반

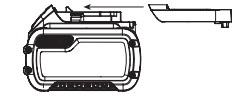
DEWALT FLEXVOLT™ 배터리에는 두 가지 모드가 있습니다. **사용** 및 **운송**.

사용 모드: FLEXVOLT™ 배터리가 단독으로 사용되거나 DeWALT 18V (최대 20V) 제품에 있는 경우 18V (최대 20V) 배터리로 작동합니다. FLEXVOLT™ 배터리가 54V (최대 60V) 또는 108V (최대 120V) (54V (60V 최대) 배터리 2 개) 제품에 있는 경우 54V (최대 60V) 배터리로 작동합니다.

운반 모드: 캡이 FLEXVOLT™ 배터리에 부착되면 배터리는 운송 모드에 있습니다. 운송 시 캡을 유지하십시오.

운반 모드에 있을 때, 더 높은 와트시 등급의 배터리 1 개에 비해 더 낮은 와트시 (Wh) 등급의 배터리 3 개가 되는 팩 내에서 일련의 셀은 전기 연결이 끊어져 있습니다. 와트시 등급이 더 낮은 이 증가된 배터리 3 개 수량은 더 높은 와트시 배터리에 부과되는 특정 수송 규정에서 팩을 면제시킬 수 있습니다.

예를 들어, 운반 Wh 정격은



사용 및 운송 라벨 표시 예제

3 x 36 Wh 를 나타내며, 각 36 Wh 배터리 3 개를 의미합니다. 사용 Wh 정격은 108 Wh 를 나타낼 수 있습니다. (1 개 배터리 포함).

Use: 108 Wh
Transport: 3x36 Wh

보관 권장 사항

1. 보관 장소로는 직사광선을 받지 않고 지나치게 덥거나 춥지 않은 시원하고 건조한 곳이 가장 좋습니다. 최적의 배터리 성능과 수명을 위해, 사용하지 않을 때에는 배터리 팩을 실온에서 보관하십시오.
2. 장기간 보관하는 경우, 최적의 결과를 위해 완전히 충전된 배터리 팩을 충전기에서 분리하여 서늘하고, 건조한 장소에 보관하는 것이 좋습니다.

참고: 배터리 팩은 완전히 방전된 상태로 보관해서는 안됩니다. 사용 전에 배터리 팩을 재충전해야 합니다.

충전기 및 배터리 팩에 부착된 라벨

본 설명서에 사용된 그림 외에도 충전기 및 배터리 팩에 부착된 라벨에는 다음과 같은 그림이 표시되어 있습니다.



사용 전에 사용 설명서의 내용을 숙지하십시오.



충전 시간은 **기술 데이터** 를 참조하십시오.



전도성 있는 물체로 시험하지 마십시오.



손상된 배터리 팩을 충전하지 마십시오.



물에 닿지 않도록 하십시오.



손상된 코드는 즉시 교체하십시오.



4 °C ~ 40 °C 사이에서만 충전하십시오.



실내 전용.



환경 보호 차원에서 배터리 팩을 폐기하십시오.



지정된 DeWALT 충전기만으로 배터리 팩을 충전하십시오.

지정된 DeWALT 배터리 이외의 배터리 팩을 DeWALT

충전기로 충전하면 파열되거나 다른 위험한 상황이 발생할 수 있습니다.



배터리 팩을 소각하지 마십시오.



사용 (운반 캡 미포함). 예: Wh 정격은 108 Wh 를 나타냅니다 (108 Wh 배터리 1개).



운반 (내장 운반 캡 포함). 예: Wh 정격은 3 x 36 Wh (36 Wh 배터리 3 개) 를 나타냅니다.

배터리 유형

DCF840 18V (최대 20V) 배터리 팩에서 작동합니다.

배터리 유형

다음 공구는 18 볼트 (최대 20V) 배터리 팩에서 작동합니다.DCF840

이러한 배터리 팩은 다음을 사용할 수 있습니다. DCB180, DCB181, DCB182, DCB183, DCB184, DCB203, DCB204, DCB205, DCB185, DCB186, DCB187, DCB189, DCB208, DCB240, DCBP034, DCB546, DCB547, DCB548, DCB549, DCB606, DCB609, DCB612, DCB615. 자세한 내용은 기술 데이터를 참조하십시오.

포장 내용물

포장에는 다음 내용물이 들어 있습니다.

- 1 임팩트 드라이버
- 1 충전기
- 1 벨트 후크 (일부 모델에 포함)

- 1 키트박스 (일부 모델에 포함)
- 1 리튬 이온 배터리 팩 (C1, D1, E1, L1, M1, P1, S1, T1, X1, Y1 모델)
- 2 리튬 이온 배터리 팩 (C2, D2, E2, L2, M2, P2, S2, T2, X2, Y2 모델)
- 3 리튬 이온 배터리 팩 (C3, D3, E3, L3, M3, P3, S3, T3, X3, Y3 모델)
- 1 사용 설명서
- 운반 중에 발생할 수 있는 공구, 부품 또는 액세서리의 손상 여부를 확인하십시오.
- 작동 전에 시간을 내어 본 사용 설명서를 읽고 숙지하십시오.

참고: 배터리 팩, 충전기 및 키트 박스는 N 모델에 포함되어 있지 않습니다.

공구에 표시된 마크

공구에는 다음과 같은 그림이 있습니다.



사용 전에 사용 설명서의 내용을 숙지하십시오.



가시 광선, 빛을 응시하지 마십시오.

날짜 코드 위치 (그림 A)

날짜 코드에는 **10** , 제조년도가 포함되어 이 제조년도는 케이스에 인쇄되어 있습니다.

예:

2022 XX XX

제조년도

설명 (그림 A)



경고: 전동 공구 또는 전동 공구의 어떤 부품도 절대 개조하지 마십시오. 제품이 파손되거나 신체 부상을 당할 수도 있습니다.

- | | |
|----------------------|---------------------|
| 1 트리거 스위치 | 6 배터리 팩 |
| 2 정 회전 / 역 회전 버튼 | 7 작업 등 |
| 3 척 칼라 | 8 벨트 후크 (일부 모델에 포함) |
| 4 6.35 mm 육각 킥 릴리스 척 | 9 나사 |
| 5 배터리 분리 버튼 | |

용도

이 임팩트 드라이버는 전문적인 임팩트 스크루드라이빙 애플리케이션을 위해 설계되었습니다. 충격 기능을 활용하여 이 공구는 목재, 금속 및 콘크리트의 패스너를 조일 때 특히 유용합니다.

절대로 습한 환경이나 가연성 액체 또는 가스가 있는 곳에서 사용하지 마십시오.

이 임팩트 드라이버는 전문적인 전용 도구입니다.

어린이가 이 공구를 만지지 않도록 하십시오. 경험이 없는 작업자가 이 공구를 사용할 때는 감독자의 지도가 필요합니다.

- **어린이 및 노약자.** 본 제품은 어린이나 노약자가 사용하도록 설계되지 않았습니다. 이러한 사람이 사용할 때는 감독이 필요합니다.
- 본 제품은 안전 책임을 맡고 있는 사람이 감독을 하고 있지 않는 한 경험, 지식 또는 기술이 부족하고 신체적, 감각적 또는 정신적 능력이 미약한 사람 (어린이 포함) 이 사용하도록 고안된 것이 아닙니다. 이 제품과 함께 어린이만 혼자 두어서는 안됩니다.

조립 및 조정

! **경고:** 심각한 신체 부상의 위험을 줄이려면 공구를 정하거나 부착물 또는 액세서리를 제거/설치하기 전에 공구를 끄고 배터리 팩을 분리하십시오. 공구가 갑자기 작동하여 부상을 당할 수 있습니다.

! **경고:** DEWALT 배 터리 팩과 충전기만 사용하십시오.

배터리 팩 삽입 및 공구에서 배터리 팩 분리 (그림 B)

참고: 배터리 팩 ⑥ 이 완전히 충전되었는지 확인하십시오.

배터리 팩을 공구 핸들에 설치하려면

1. 공구 핸들 안쪽의 레일에 배터리 팩 ⑥ 을 맞춥니다 (그림 B).
2. 공구에 배터리 팩이 견고하게 장착될 때까지 핸들에 밀어 넣고 딸깍하고 잠기는 소리가 들리는지 확인하십시오.

공구에서 배터리 팩을 분리하려면

1. 딸칵 버튼 ⑤ 을 누르고 배터리 팩을 공구 핸들에서 완전히 빼냅니다.
2. 본 사용 설명서의 충전기 섹션에 설명된 대로 배터리 팩을 충전기에 삽입합니다.

진량표시계 배터리 팩 (그림 B)

일부 DEWALT 배터리 팩에는 배터리 팩의 남아 있는 충전 레벨을 표시하는 세 개의 녹색 LED 등으로 구성된 연료계가 포함되어 있습니다.

연료 게이지를 작동하려면 연료 게이지 버튼을 길게 누릅니다. 녹색 LED 표시등 3 개가 조합되어 커짐으로써 충전 잔량 수준을 나타냅니다. 배터리 잔량이 사용 가능한 한계치 미만이면 배터리 잔량 표시계가 켜지지 않으므로 배터리를 재충전해야 합니다.

참고: 잔량표시계는 배터리 팩에 남아 있는 충전 레벨을 나타내는 것일 뿐입니다. 공구의 기능성을 나타내는 것이 아니며 제품 구성품, 온도 및 최종 사용자의 용도에 따라 변경될 수 있습니다.

벨트 후크 (그림 A) (옵션 액세서리)

! **경고:** 심각한 부상의 위험을 줄이려면, 공구를 머리 위로 매달거나 벨트 후크에 물건을 매달지 마십시오. 작업 벨트에 공구의 벨트 후크만 걸어두십시오.

! **경고:** 심각한 부상의 위험을 줄이려면, 벨트 후크를 고정하는 나사가 단단히 고정되었는지 확인하십시오.

중요사항: 벨트 후크를 부착하거나 교체할 때 제공된 나사만 사용하십시오. 나사를 단단히 조이십시오.

원손잡이 또는 오른손잡이 사용자를 위해 제공된 나사 ⑨ 만 사용하여 벨트 후크 ⑧ 를 도구의 양쪽에 부착할 수 있습니다. 후크가 전혀 필요하지 않은 경우 공구에서 제거 할 수 있습니다. 벨트 후크를 이용하려면 고정하고 있는 나사 ⑨ 를 제거한 다음 반대쪽에서 다시 조립하십시오. 나사를 단단히 조이십시오.

조작

사용 지침

! **경고:** 항상 안전 지시 사항과 해당 규정을 준수하십시오.

! **경고:** 심각한 신체 부상의 위험을 줄이려면 공구를 정하거나 부착물 또는 액세서리를 제거/설치하기 전에 공구를 끄고

배터리 팩을 분리하십시오. 공구가 갑자기 작동하여 부상을 당할 수 있습니다.

적절한 손 위치 (그림 D)

! **경고:** 심각한 부상의 위험을 줄이려면 항상 그림과 같이 올바른 손 위치를 사용하십시오.

! **경고:** 심각한 신체 부상의 위험을 줄이려면 항상 갑작스러운 반동을 예상하고 확실하게 잡으십시오.

올바른 손 위치를 지정하려면 한 손으로 메인 핸들 ⑪ 을 잡아야 합니다.

가변 속도 트리거 스위치 (그림 A)

공구를 켜려면 트리거 스위치 ① 를 쥐십시오. 공구를 끄려면 트리거 스위치를 놓습니다. 공구에는 브레이크가 장착되어 있습니다. 트리거 스위치가 완전히 해제되면 척이 멈춥니다.

가변 속도 스위치를 사용하면 느린 속도로 기기를 작동할 수 있습니다. 트리거를 더 많이 당기면 공구가 더 빨리 작동합니다. 공구 수명을 최대화하려면 시작 구멍 또는 패스너에만 가변 속도를 사용하십시오.

참고: 가변 속도 범위에서 연속 사용은 권장하지 않습니다. 트리거 스위치가 손상될 수 있으므로 피해야 합니다.

정회전/역회전 제어 버튼 (그림 A)

정회전/역회전 제어버튼 ② 은 공구의 작동 방향을 결정하고 잠금 버튼으로도 사용됩니다.

정회전을 선택하려면, 트리거 스위치 에서 손을 떼고 공구 오른쪽에 있는 제어 버튼을 누릅니다.

역방향을 선택하려면 공구 왼쪽에 있는 제어 버튼을 누르십시오. 제어 버튼의 중앙 위치는 트리거를 잠금 상태로 고정합니다. 제어 버튼의 위치를 변경할 때 트리거를 놓아야 합니다.

참고: 회전 방향을 변경한 후 공구를 처음 실행하면 작동 시 클릭 소리가 들릴 수 있습니다. 이는 정상적인 현상이며 문제가 있는 것은 아닙니다.

작업등 (그림 A)

작업등 ⑦ 은 트리거 스위치 ① 위에 있습니다. 트리거 스위치를 누르면 작업등이 활성화됩니다.

트리거를 놓으면 작업등이 최대 20 초 동안 켜집니다. 트리거 스위치를 계속 누르고 있으면 작업등이 계속 켜져 있습니다.

참고: 작업등은 바로 작업 표면을 비추기 위한 것이며 손전등으로 사용할 수 없습니다.

킥 릴리스 척 (그림 A, C)

! **경고:** 임팩트 액세서리만 사용하십시오. 비충격 액세서리는 파손되어 위험한 상태를 유발할 수 있습니다. 사용하기 전에 액세서리에 균열이 없는지 확인하십시오.

참고: 척에는 6.35mm 육각 액세서리만 사용할 수 있습니다.

정회전/역회전 버튼 ② 을 잠금 해제 (중앙) 위치에 두거나 액세서리를 교체하기 전에 배터리 팩을 제거하십시오.

액세서리를 설치하려면 액세서리를 밀어 척 ④ 에 완전히 삽입합니다. 액세서리를 제자리에 고정하기 위해 척 칼라 ③ 를 당겨 올릴 필요가 없습니다.

액세서리를 제거하려면 공구 전면에서 척 칼라를 당겨 빼내십시오. 액세서리를 제거하고 칼라를 해제합니다.

사용법

본 제품은 다음과 같은 최대 토크를 생성합니다.

카테고리 번호	Nm	Ft.-Lbs.	In.-Lbs
DCF840	192	142.6	1700



주의: 패스너 및/또는 시스템이 공구에서 발생하는 토크 수준을 견딜 수 있는지 확인하십시오. 과도한 토크는 파손 및 부상의 원인이 될 수 있습니다.

1. 패스너 헤드에 액세서리를 놓습니다. 공구가 패스너를 똑바로 가리키도록 하십시오.
2. 스위치를 눌러 작동을 시작하십시오. 작동을 중지하려면 스위치를 놓으십시오. 조임 토크는 다음을 포함한 많은 요인의 영향을 받으므로 항상 토크 렌치로 토크를 확인하십시오.

- **전압:** 거의 방전 된 배터리로 인한 저전압은 체결 토크를 감소시킵니다.
- **소켓 크기:** 올바른 소켓 크기를 사용하지 않으면 체결 토크가 감소합니다.
- **볼트 크기:** 볼트 직경이 클수록 일반적으로 더 높은 체결 토크가 필요합니다. 조임 토크는 길이, 등급 및 토크 계수에 따라 달라집니다.
- **볼트:** 적절한 조임 토크를 위해 모든 나사산에 녹 및 기타 이물질이 없는지 확인하십시오.
- **재료:** 재료의 유형과 재료의 표면 마감은 체결 토크에 영향을 미칩니다.
- **체결 시간:** 체결 시간이 길수록 체결 토크가 증가합니다. 권장되는 것보다 더 긴 고정 시간을 사용하면 패스너에 과도한 응력이 가해 지거나 벗겨 지거나 손상 될 수 있습니다.

유지 보수

DEWALT 전동 공구는 최소한의 유지 보수로 장기간에 걸쳐 작업이 가능하도록 설계되어 있습니다. 만족스러운 연속 작동은 적절한 공구 관리와 정기적인 청소에 따라 그 성능이 달라질 수 있습니다.



경고: 심각한 신체 부상의 위험을 줄이려면 공구를 정하거나 부작용 또는 액세서리를 제거/설치하기 전에 공구를 끄고 배터리 팩을 분리하십시오. 공구가 갑자기 작동하여 부상을 당할 수 있습니다.

충전기 및 배터리 팩은 수리할 수 없습니다.



유회방법

전동 공구는 별도의 유회 작업이 필요하지 않습니다.



청소



경고: 통풍구 속이나 주변에 먼지가 쌓여있는 것이 보이면 가능한 한 자주 건조한 공기를 이용하여 메인 하우징에서 먼지를 불어내십시오. 이 절차를 수행할 때에는 승인된 눈 보호 장구 및 승인된 방진 마스크를 착용하십시오.



경고: 공구의 비금속성 부분을 청소할 때는 용제 등의 강력한 화학약품을 절대 사용하지 마십시오. 그렇지 않으면 이러한 부분에 사용된 재료가 약해질 수 있습니다. 형광에

물과 순한 비누를 적셔 닦아주십시오. 공구 내부에 액체를 넣거나 공구 부품에 액체에 담그는 행동은 절대 금물입니다.

음션 액세서리



경고: DEWALT 에서 제공하지 않은 액세서리는 본 제품에서 테스트되지 않았으므로 본 제품에서 이러한 액세서리를 사용하면 위험할 수 있습니다.



경고: 임팩트 액세서리만 사용하십시오. 비충격 액세서리는 파손되어 위험한 상태를 유발할 수 있습니다. 사용하기 전에 액세서리에 균열이 없는지 검사합니다

해당 액세서리에 대한 자세한 정보는 판매 대리점으로 문의하십시오.

환경 보호



분리 수거. 이 기호가 표시된 제품과 배터리를 일반 가정용 쓰레기와 함께 처리하면 안됩니다.

제품과 배터리에는 재활용되거나 재사용되고 고철 자원에 대한 수요를 줄일 수 있는 자재가 포함되어 있습니다. 전기 제품과 배터리는 지역 규정에 따라 재활용하십시오. 자세한 내용은 www.2helpu.com 에서 찾아볼 수 있습니다.

충전용 배터리 팩

이전에 쉽게 수행했던 작업에 대해 충분한 힘을 발휘하지 못하는 배터리 팩은 재충전해야 합니다. 배터리 수명이 다하면 환경 보호 차원에서 배터리 팩을 폐기하십시오.

- 배터리 팩을 완전히 사용하고 난 후 공구에서 분리하십시오.
- 리튬이온 전지는 재활용할 수 있습니다. 이 전지를 판매점이나 지역 재활용 센터로 가져가십시오. 수집된 배터리 팩은 재활용되거나 적절히 폐기됩니다

정비 및 수리

DEWALT 는 고객들에게 가장 효율적이고 신뢰할 수 있는 서비스를 제공하기 위하여 훈련된 직원들로 센터를 구성하고 있습니다. 사용자의 안전 및 제품의 신뢰성을 보장하기 위하여 제품의 정비, 유지 보수 및 수리는 반드시 공인된 서비스센터에서 수행해야 합니다. 자격이 없는 곳으로부터 받은 제품의 정비 및 수리는 사용자의 부상 위험 및 불이익을 초래할 수 있습니다. 가까운 DEWALT 서비스센터의 위치를 알아보려면, 제품과 함께 동봉된 진단을 통해 전화번호, 홈페이지 주소 및 기타 연락처 등을 확인할 수 있습니다.

ไขควงกระแทกไร้สายและไร้แปรงถ่าน

DCF840

ขอแสดงความยินดี!

คุณได้เลือกไขควงมือของ DEWALT ด้วยประสิทธิภาพที่ยาวนาน ตลอดจนการพัฒนาผลิตภัณฑ์และนวัตกรรมใหม่ๆ ทำให้ DEWALT เป็นหนึ่งในเครื่องมือไฟฟ้าที่น่าเชื่อถือที่สุดสำหรับกลุ่มผู้ใช้เครื่องมือไฟฟ้าระดับมืออาชีพ

ข้อมูลด้านเทคนิค

			DCF840
แรงดันไฟฟ้า	V_{DC}		18 (20 Max)
ประเภทแบตเตอรี่			Li-Ion
กำลังไฟฟ้าขาออก	W		380
ความเร็วรอบสูงสุด	min-1		0–3200
อัตราการกระแทก	min-1		0–4200
แรงบิดสูงสุด	Nm		192
ขนาดหัวจับดอกไขควง			6.35 mm
น้ำหนัก (ไม่รวมแบตเตอรี่)	kg		0.88

แบตเตอรี่				อุปกรณ์ชาร์จ/เวลาในการชาร์จ (นาที)						
Cat#	V_{DC}	Ah	Weight(kg)	DCB104	DCB107	DCB112	DCB115	DCB117 DCB1112	DCB118	DCB132
DCB546/DCB606	18/54 (20/60 Max)	6.0/2.0	1.08	60	270	170	90	40	60	90
DCB547/DCB609	18/54 (20/60 Max)	9.0/3.0	1.46	75*	420	270	135*	60	75*	135*
DCB548/DCB612	18/54 (20/60 Max)	12.0/4.0	1.46	120	540	350	180	80	120	180
DCB549/DCB615	18/54 (20/60 Max)	15.0/5.0	2.12	125	730	450	230	90	125	230
DCB180	18 (20 Max)	3.0	0.62	45	140	90	45	45	45	45
DCB181	18 (20 Max)	1.5	0.35	22	70	45	22	22	22	22
DCB182/DCB204	18 (20 Max)	4.0	0.61	60/40**	185	120	60	60/40**	60/40**	60
DCB183/DCB203	18 (20 Max)	2.0	0.40	30	90	60	30	30	30	30
DCB184/DCB205	18 (20 Max)	5.0	0.62	75/50**	240	150	75	75/50**	75/50**	75
DCB185	18 (20 Max)	1.3	0.35	22	60	40	22	22	22	22
DCB187	18 (20 Max)	3.0	0.54	45	140	90	45	45	45	45
DCB189/DCB240	18 (20 Max)	4.0	0.54	60	185	120	60	60	60	60
DCB186	18 (20 Max)	6.0	0.95	60	270	170	90	60	60	90
DCB208	18 (20 Max)	8.0	0.95	70	360	240	120	70	70	120
DCBP034	18 (20 Max)	1.7	0.32	27	82	50	27	27	27	27

*Date code 201811475B หรือหลังจากนั้น

**Date code 201536 หรือหลังจากนั้น



คำเตือน: เพื่อลดความเสี่ยงจากการบาดเจ็บ โปรดอ่านคู่มือการใช้งานเล่มนี้

คำจำกัดความ: ข้อแนะนำด้านความปลอดภัย

คำจำกัดความด้านล่างอธิบายถึงระดับความรุนแรงของ ความอันตรายที่ใช้เรียกสัญลักษณ์ต่างๆ โปรดอ่านคู่มือและ ใส่ใจกับสัญลักษณ์ต่างๆ เหล่านี้



อันตราย: หมายถึงสถานการณ์ที่ก่อให้เกิดอันตราย ได้อย่างฉับพลัน ซึ่งหากไม่ระวังจะทำให้เสียชีวิต หรือได้รับบาดเจ็บสาหัสได้



คำเตือน: หมายถึงสถานการณ์ที่มีแนวโน้มว่าจะก่อให้เกิดอันตราย ซึ่งหากไม่ระวังสามารถทำให้เกิดอันตรายถึงชีวิตหรือบาดเจ็บสาหัสได้



ข้อควรระวัง: หมายถึงสถานการณ์ที่มีแนวโน้มว่าจะก่อให้เกิดอันตราย ซึ่งหากไม่ระวัง อาจทำให้ได้รับบาดเจ็บเล็กน้อยหรือปานกลาง

ข้อสังเกต: หมายถึงการปฏิบัติที่ไม่เกี่ยวข้องกับ

การบาดเจ็บซึ่งหากไม่ระวังอาจทำให้ทรัพย์สินเสียหายได้



แสดงถึงความเสี่ยงจากการถูกไฟฟ้าช็อต



แสดงถึงอันตรายจากการเกิดเพลิงไหม้

คำเตือนเพื่อความปลอดภัยทั่วไป สำหรับการใช้เครื่องมือไฟฟ้า



คำเตือน: อ่านคำเตือน ข้อปฏิบัติเพื่อความปลอดภัยทั้งหมด รวมทั้งภาพประกอบและข้อมูลที่ให้มากับเครื่องมือไฟฟ้านี้ การไม่ปฏิบัติตามคำเตือนและข้อปฏิบัติเหล่านี้อาจทำให้เกิดไฟฟ้าช็อต เกิดอัคคีภัย และ/หรือบาดเจ็บสาหัสได้

จัดเก็บเอกสารคำเตือนและคำแนะนำทั้งหมดไว้ เพื่อการอ้างอิงในภายหลัง

คำว่า "เครื่องมือไฟฟ้า" ในคำเตือน หมายถึง เครื่องมือไฟฟ้า (แบบมีสาย) ที่ทำงานผ่านแหล่งจ่ายไฟหลัก หรือ เครื่องมือไฟฟ้า (แบบไร้สาย) ที่ทำงานผ่านแบตเตอรี่

1) ความปลอดภัยในบริเวณที่ทำงาน

- รักษาความสะอาดและจัดให้มีแสงสว่างเพียงพอในบริเวณที่ทำงาน บริเวณที่มีดหรือมีขอบของระเกะระกะอาจทำให้เกิดอุบัติเหตุได้
- ห้ามใช้เครื่องมือไฟฟ้าในบริเวณที่อาจเกิดการระเบิด เช่น ในสถานที่ที่มีของเหลว แก๊ส หรือ ฝุ่นละอองที่มีคุณสมบัติไวไฟ เครื่องมือไฟฟ้าจะทำให้เกิดประกายไฟที่อาจทำให้เกิดละอองไฟหรือเปลวไฟขึ้นได้
- ระวังไม่ให้เด็กเล็กและคนเดินผ่านไปมาเข้าใกล้ในขณะที่ใช้งานเครื่องมือไฟฟ้า สิ่งรบกวนอาจทำให้คุณเสียสมาธิได้

2) ความปลอดภัยทางไฟฟ้า

- ปลั๊กไฟของเครื่องต้องเป็นชนิดเดียวกับเต้ารับ ห้ามตัดแปลงปลั๊กไม่ว่าด้วยวิธีใด ห้ามใช้ปลั๊กอะแดปเตอร์ใดๆ กับเครื่องมือไฟฟ้าที่ต่อสายดิน (ลงกราวด์) ปลั๊กที่ไม่มีการตัดแปลงและเต้ารับชนิดเดียวกันจะช่วยลดความเสี่ยงจากการเกิดไฟฟ้าช็อต
- หลีกเลี่ยงการสัมผัสพื้นผิวที่ต่อสายดินหรือลงกราวด์ เช่น ท่อ หม้อน้ำ เตาหุงต้ม และตู้เย็น มีความเสี่ยงเพิ่มขึ้นที่จะเกิดไฟฟ้าช็อตหากร่างกายเป็นสื่อเชื่อมต่อดินหรือลงกราวด์
- อย่าให้เครื่องมือไฟฟ้าถูกฝนหรืออยู่ในสภาพที่เปียกชื้น น้ำที่เข้าเครื่องมือไฟฟ้าจะเพิ่มความเสี่ยงในการเกิดไฟฟ้าช็อต
- ห้ามใช้สายไฟฉีดยึดอุปกรณ์ ห้ามใช้สายไฟเพื่อการหิ้ว ดึง หรือถอดปลั๊กเครื่องมือไฟฟ้า เก็บสายไฟให้พ้นจากความร้อน น้ำมัน ของมีคม หรือ ชิ้นส่วนที่กำลังเคลื่อนที่ สายไฟที่ชำรุดหรือพันกันเป็นการเพิ่มความเสี่ยงจากการถูกไฟฟ้าช็อต

e) **เมื่อใช้เครื่องมือไฟฟ้านอกอาคาร ให้ใช้สายต่อพ่วงที่เหมาะสมสำหรับการใช้งานนอกอาคาร** ใช้สายไฟที่เหมาะสมสำหรับใช้ออกอาคารจะช่วยลดความเสี่ยงต่อการเกิดไฟฟ้าช็อต

f) **หากไม่สามารถหลีกเลี่ยงการใช้เครื่องมือไฟฟ้าในบริเวณที่ชื้นและได้ ให้ใช้อุปกรณ์ป้องกันไฟดูด (RCD) การใช้ RCD จะช่วยลดความเสี่ยงในการถูกไฟฟ้าช็อต**

3) ความปลอดภัยส่วนบุคคล

- ตื่นตัวและมีสมาธิกับสิ่งที่คุณกำลังทำ รวมทั้งใช้สามัญสำนึกในขณะที่กำลังใช้งานเครื่องมือไฟฟ้า ห้ามใช้เครื่องมือไฟฟ้าในขณะที่คุณกำลังเหนื่อยหรือได้รับอิทธิพลจากยา แอลกอฮอล์ หรือการรักษาบางอย่าง การขาดความระมัดระวังในการใช้เครื่องมือไฟฟ้าแม้ชั่วขณะหนึ่งอาจทำให้บาดเจ็บสาหัสได้
- ใช้อุปกรณ์คุ้มครองความปลอดภัยส่วนบุคคลสวมอุปกรณ์ป้องกันดวงตาเสมอ อุปกรณ์ป้องกัน เช่น หน้ากากกันฝุ่น รองเท้านิรภัยกันลื่น หมวกนิรภัย หรืออุปกรณ์ป้องกันเสียงดังที่ใช้ในสภาวะที่เหมาะสมจะช่วยลดอาการบาดเจ็บทางร่างกาย
- ป้องกันเครื่องเปิดทำงานโดยไม่ตั้งใจ สวิตช์ต้องอยู่ในตำแหน่งปิดก่อนที่จะเสียบปลั๊กเข้ากับแหล่งจ่ายไฟ และ/หรือ ชดแบตเตอรี่ หรือก่อนจะยกหรือหิ้วเครื่องมือ การยกเครื่องมือไฟฟ้าในขณะที่นิ้วอยู่ที่สวิตช์ หรือใช้เครื่องมือไฟฟ้าที่สวิตช์เปิดอยู่ อาจทำให้เกิดอุบัติเหตุได้
- ถอดกุญแจปรับตั้งหรือประแจออกก่อนเปิดสวิตช์เครื่องมือไฟฟ้า ประแจหรือกุญแจที่เสียบค้างอยู่ในชิ้นส่วนที่หมุนได้ของเครื่องมือไฟฟ้าอาจทำให้ได้รับบาดเจ็บได้
- ห้ามยืนเขย่งเท้าขณะใช้เครื่อง ควรยืนในท่าที่เหมาะสมและสมดุลตลอดเวลา เพื่อช่วยในการควบคุมเครื่องมือไฟฟ้าได้ดียิ่งขึ้นในสถานการณ์ที่ไม่คาดคิด
- แต่งกายให้เหมาะสม ห้ามสวมเสื้อผ้าหลวมหรือใส่เครื่องประดับ รวผมและเสื้อผ้าให้ห่างจากชิ้นส่วนที่กำลังหมุน เสื้อผ้าที่หลวมหรือยารวมรั่วเครื่องประดับ หรือผมที่ยาวอาจเข้าไปพันกับชิ้นส่วนที่กำลังหมุน
- หากมีอุปกรณ์สำหรับดูดและเก็บฝุ่น ต้องตรวจสอบให้แน่ใจว่าได้เชื่อมต่อและใช้งานอุปกรณ์นั้นอย่างเหมาะสม การใช้อุปกรณ์เก็บฝุ่นจะช่วยลดอันตรายที่เกี่ยวข้องกับฝุ่นได้
- อย่าให้ความเคยชินจากการใช้งานทำให้คุณประมาทและละเลยการปฏิบัติตามหลักการเพื่อความปลอดภัย การใช้งานโดยไม่ระวังอาจทำให้เกิดการบาดเจ็บสาหัสได้ภายในเวลาเพียงเสี้ยววินาที

4) การใช้งานและการดูแลรักษาเครื่องมือไฟฟ้า

- a) ห้ามฝืนใช้เครื่องมือไฟฟ้า เลือกใช้เครื่องมือไฟฟ้าที่ถูกต้องตรงกับลักษณะการใช้งานของคุณ เครื่องมือไฟฟ้าที่ถูกต้องย่อมทำงานได้ดีกว่า และปลอดภัยกว่า เมื่อใช้งานตามที่คิดที่เครื่องมือได้รับการออกแบบมา
- b) ห้ามใช้เครื่องมือไฟฟ้าถ้าสวิทช์เปิดปิดเครื่องไม่ทำงาน เครื่องมือไฟฟ้าที่ไม่สามารถควบคุมผ่านสวิทช์ได้ ถือว่ามีอันตรายและต้องส่งซ่อม
- c) ถอดปลั๊กของเครื่องมือไฟฟ้าออกจากแหล่งจ่ายไฟ และ/หรือหากถอดแบตเตอรี่ได้ ให้ถอดแบตเตอรี่ออกก่อนทำการปรับแต่ง เปลี่ยนอุปกรณ์เสริม หรือจัดเก็บเครื่องมือไฟฟ้า มาตรการเพื่อความปลอดภัยเชิงการป้องกันนี้จะช่วยลดความเสี่ยงในการผลอเปิดเครื่องไฟฟ้าให้ทำงานโดยไม่ไดตั้งใจ
- d) เก็บเครื่องมือไฟฟ้าที่ไม่ได้ใช้งานไว้ในพ้นมือเด็ก และไม่อนุญาตให้บุคคลที่ไม่คุ้นเคยกับเครื่องมือไฟฟ้าหรือคำแนะนำเหล่านี้เป็นผู้ใช้เครื่องมือ เครื่องมือไฟฟ้าจะเป็นอันตรายหากอยู่ในมือผู้ใช้ที่ไม่มี ความชำนาญ
- e) บำรุงรักษาเครื่องมือไฟฟ้าและอุปกรณ์เสริมต่างๆ ตรวจสอบว่าชิ้นส่วนที่เคลื่อนที่ได้มีการวางไม่ตรงแนวหรือติดขัดหรือไม่ มีชิ้นส่วนที่แตกหัก และสภาพอื่นใดที่อาจส่งผลกระทบต่อการทำงานของเครื่องมือไฟฟ้าหรือไม่ หากชำรุดเสียหาย ให้นำเครื่องมือไปส่งซ่อมก่อนนำมาใช้ อุบัติเหตุจำนวนมากเกิดจากการดูแลรักษาเครื่องมือไฟฟ้าไม่ดีพอ
- f) เครื่องมือตัดต้องคมและสะอาดอยู่เสมอ เครื่องมือตัดที่ได้รับการดูแลรักษาอย่างถูกต้องและมีขอบตัดคม จะมีปัญหาติดขัดน้อย และควบคุมได้ง่ายกว่า
- g) ใช้เครื่องมือไฟฟ้า อุปกรณ์เสริม และดอกสว่านของเครื่องมือ เป็นต้น ให้ตรงตามข้อปฏิบัติเหล่านี้ โดยพิจารณาถึงสภาพการทำงานและงานที่ทำเป็นสำคัญ การใช้เครื่องมือไฟฟ้าทำงานอื่นนอกเหนือจากที่กำหนดไว้ อาจทำให้เกิดอันตรายได้
- h) หมั่นดูแลให้มีจับและพื้นผิวที่จับนั้นแห้ง สะอาด ปราศจากน้ำมันและจาระบี มือจับและผิวสัมผัสที่ชื้นอาจทำให้เกิดการใช้งานที่ไม่ปลอดภัย และทำให้ไม่สามารถควบคุมเครื่องมือในสถานการณ์คับขันได้อย่างถูกต้อง

5) การใช้และการดูแลรักษาแบตเตอรี่

- a) ชาร์จแบตเตอรี่ด้วยเครื่องชาร์ตที่ผู้ผลิตแนะนำเท่านั้น เครื่องชาร์ตที่เหมาะสมกับแบตเตอรี่แบบหนึ่งอาจทำให้เกิดไฟไหม้ได้ถ้านำมาใช้กับแบตเตอรี่อีกแบบหนึ่ง
- b) ใช้เครื่องมือไฟฟ้าเฉพาะกับก้อนแบตเตอรี่ที่ออกแบบมาเป็นพิเศษเท่านั้น การใช้แบตเตอรี่

แบบอื่นอาจทำให้เกิดการบาดเจ็บหรือเกิดไฟไหม้ได้

- c) เมื่อไม่ได้ใช้ก้อนแบตเตอรี่ ให้เก็บออกจากวัตถุอื่น ๆ ที่เป็นโลหะ เช่น คลิปหนีบกระดาษ เหรียญ กุญแจ เข็ม สกรูหรือวัตถุขนาดเล็กอื่น ๆ ที่ทำจากโลหะที่อาจทำให้เกิดการเชื่อมต่องจากขั้วหนึ่งไปอีกขั้วหนึ่ง การส่งวงจรบริเวณขั้วแบตเตอรี่อาจทำให้เกิดรอยไหม้หรือไฟไหม้ได้
- d) เมื่ออยู่ภายใต้สภาวะที่ไม่เหมาะสม อาจมีของเหลวไหลออกมาจากแบตเตอรี่ ให้หลีกเลี่ยงการสัมผัสกับของเหลวนี้ หากบังเอิญสัมผัสโดยไม่ตั้งใจ ให้ล้างออกด้วยน้ำปริมาณมาก หากของเหลวกระเด็นเข้าตา ควรรีบไปพบแพทย์ของเหลวที่ออกมาจากแบตเตอรี่อาจทำให้เกิดอาการระคายเคืองหรือรอยไหม้ได้
- e) ห้ามใช้แบตเตอรี่หรือเครื่องมือที่มีการชำรุดเสียหายหรือได้รับการดัดแปลง แบตเตอรี่ที่ชำรุดเสียหายหรือไม่คาดคิด เช่น ไฟไหม้ ระเบิด หรือความเสี่ยงอื่นก่อให้เกิดการบาดเจ็บได้
- f) อย่าให้แบตเตอรี่หรือเครื่องมือถูกไฟไหม้หรืออยู่ในที่ที่มีอุณหภูมิสูงเกินไป หากแบตเตอรี่ถูกไฟไหม้หรืออยู่ในที่ที่มีอุณหภูมิสูงเกิน 130 °C อาจทำให้เกิดการระเบิดได้
- g) ปฏิบัติตามคำแนะนำการชาร์จทุกขั้นตอนและ ไม่ชาร์จแบตเตอรี่หรือเครื่องมือในอุณหภูมิที่เกินจากที่กำหนดไว้ในคำแนะนำ การชาร์จที่ไม่ถูกต้องหรือในอุณหภูมิที่นอกเหนือจากที่กำหนดไว้ อาจทำให้แบตเตอรี่เสียหายและเสี่ยงต่อการเกิดไฟไหม้ได้

6) การบริการ

- a) ให้ช่างซ่อมที่มีความเชี่ยวชาญเป็นผู้ซ่อมเครื่องมือไฟฟ้า และใช้อะไหล่ของแท้เท่านั้น ซึ่งจะช่วยให้อุ่นใจได้ว่าเครื่องมือไฟฟ้ายังมีความปลอดภัยอยู่
- b) ห้ามซ่อมแบตเตอรี่ที่ชำรุด ควรให้ผู้ผลิตหรือผู้ให้บริการที่ผ่านการรับรองเป็นผู้ซ่อมแบตเตอรี่เท่านั้น.

กฎความปลอดภัยที่เฉพาะเจาะจงเพิ่มเติมสำหรับไขควงกระแทก

- ถัดเครื่องมือไฟฟ้าโดยการจับผิวหนังที่กั้นฉนวน เมื่อต้องปฏิบัติงานที่อุปกรณ์เสริมสำหรับการตัด อาจสัมผัสถูกการเดินสายไฟที่ซ่อนอยู่ อุปกรณ์เสริมสำหรับการตัดหรืออุปกรณ์จับยึดที่สัมผัสถูกสายไฟที่มี "ไฟฟ้า" อยู่ อาจทำให้ชิ้นส่วนโลหะของเครื่องมือไฟฟ้า "มีไฟฟ้า" และทำให้ผู้ปฏิบัติงานถูกไฟฟ้าดูดได้

ความเสี่ยงที่อาจเกิดขึ้นได้

แม้จะปฏิบัติตามข้อกำหนดด้านความปลอดภัยที่เกี่ยวข้อง และใช้อุปกรณ์ที่รับยกแล้วก็ตาม แต่ก็ไม่สามารถหลีกเลี่ยงความเสี่ยงบางอย่างได้ ความเสี่ยงเหล่านี้ได้แก่:

- ความบกพร่องในการได้ยินเสียง
- ความเสี่ยงที่จะได้รับบาดเจ็บจากเศษชิ้นงานที่ปลิว
- ความเสี่ยงที่จะเกิดรอยไหม้เนื่องจากอุปกรณ์เสริมที่ร้อนขึ้นในระหว่างการใช้งาน
- ความเสี่ยงที่จะได้รับบาดเจ็บเนื่องจากการใช้งานเป็นเวลานาน

เก็บคำแนะนำเหล่านี้ไว้

เครื่องชาร์จ

เครื่องชาร์จ DeWALT สามารถใช้งานได้โดยไม่ต้องปรับแต่งและได้รับการออกแบบมาเพื่อให้ใช้งานง่ายที่สุด

ความปลอดภัยทางไฟฟ้า

มอเตอร์ไฟฟ้าออกแบบมาเพื่อใช้กับแรงดันไฟฟ้าขนาดเดียวเท่านั้น ต้องตรวจสอบแรงดันไฟฟ้าของแบตเตอรี่ให้ตรงกับแรงดันไฟฟ้าบนแผ่นแสดงพิกัดเสมอ รวมทั้งตรวจสอบว่าแรงดันไฟฟ้าของเครื่องชาร์จตรงกับกบสายไฟตัวเครื่องของคุณ



เครื่องชาร์จ DEWALT ของคุณมีฉนวนสองชั้นตามมาตรฐาน IEC60335 ดังนั้นจึงไม่จำเป็นต้องใช้สายดิน

หากสายไฟชำรุดเสียหาย สายไฟดังกล่าวจะต้องได้รับการเปลี่ยนใหม่โดยใช้สายไฟซึ่งได้รับการจัดเตรียมเป็นพิเศษโดยศูนย์บริการของ DeWALT

การใช้สายพ่วง

ห้ามใช้สายต่อพ่วงเว้นแต่มีความจำเป็นอย่างหลีกเลี่ยงไม่ได้ ควรใช้สายต่อพ่วงที่ผ่านการรับรองและเหมาะสมกับกำลังไฟเข้าของเครื่องชาร์จ (ดูข้อมูลด้านเทคนิค) ขนาดต่ำสุดของสายไฟ คือ 1 ตร.มม. ความยาวสูงสุด คือ 30 ม. เมื่อมีการใช้อุปกรณ์ม้วนเก็บสายไฟ ให้คลายสายไฟออกจนหมดทุกครั้ง

คำแนะนำเพื่อความปลอดภัยที่สำคัญสำหรับเครื่องชาร์จแบตเตอรี่ทุกชนิด

เก็บรักษาคำแนะนำเหล่านี้: คู่มือนี้ประกอบด้วยคำแนะนำด้านความปลอดภัยและการใช้งานที่สำคัญสำหรับเครื่องชาร์จแบตเตอรี่ที่ใช้งานร่วมกันได้ (ดูข้อมูลด้านเทคนิค)

- ก่อนใช้งานเครื่องชาร์จ โปรดอ่านคำแนะนำและสัญลักษณ์เตือนทั้งหมดบนเครื่องชาร์จ แบตเตอรี่ และผลิตภัณฑ์ที่ใช้แบตเตอรี่



คำเตือน: อันตรายจากการถูกไฟฟ้าช็อต อย่าให้มือของเหลวเข้าไปภายในเครื่องชาร์จ เพราะอาจทำให้เกิดไฟฟ้าช็อตได้



คำเตือน: เราแนะนำการใช้อุปกรณ์ป้องกันไฟดูดที่มีกระแสไฟฟ้ไม่เกิน 30 มิลลิแอมป์



ข้อควรระวัง: อันตรายจากไฟไหม้ เพื่อลดความเสี่ยงของการเกิดการบาดเจ็บ โปรดใช้แบตเตอรี่แบบชาร์จซ้ำได้ของ DEWALT เท่านั้น แบตเตอรี่ชนิดอื่นๆ อาจระเบิดทำให้เกิดการบาดเจ็บและความเสียหายได้



ข้อควรระวัง: เด็กควรได้รับการควบคุมดูแลเพื่อให้แน่ใจว่าเด็กจะไม่เล่นเครื่องมือ

ข้อสังเกต: ในบางสถานการณ์ ระหว่างที่เครื่องชาร์จเสียบปลั๊กอยู่ อาจมีวัตถุแปลกปลอมเข้าไปภายในเครื่องชาร์จและทำให้ตัวชาร์จไฟลัดวงจรได้อย่าให้มีวัตถุแปลกปลอมที่มีคุณสมบัตินำไฟฟ้า เช่น ฝอยเหล็ก อะลูมิเนียมพอยล์ หรือการสะสมตัวของอนุภาคโลหะอยู่ในช่องใส่แบตเตอรี่ของเครื่องชาร์จและถอดปลั๊กเครื่องชาร์จออกเสมอ เมื่อไม่มีชุดแบตเตอรี่อยู่ในช่องใส่ รวมทั้งถอดปลั๊กเครื่องชาร์จทุกครั้งก่อนทำความสะอาด

- อย่าชาร์จแบตเตอรี่ด้วยเครื่องชาร์จเครื่องอื่นนอกเหนือจากเครื่องชาร์จที่ระบุในคู่มือเล่มนี้โดยเด็ดขาด เครื่องชาร์จและชุดแบตเตอรี่ได้รับการออกแบบมาให้ใช้งานร่วมกันโดยเฉพาะ
- เครื่องชาร์จนี้ไม่ได้ออกแบบมาเพื่อการใช้งานใต้นอกจากชาร์จแบตเตอรี่แบบชาร์จซ้ำได้ของ DEWALT การนำไปใช้ในงานอื่นนอกเหนือจากนี้อาจเสี่ยงต่อการเกิดไฟไหม้ ไฟฟ้าช็อต หรืออันตรายจากไฟฟ้าจนถึงแก่ชีวิตได้
- อย่าให้เครื่องชาร์จถูกฝนหรือหิมะ
- ดึงปลั๊กเครื่องชาร์จที่หัวปลั๊กแทนการดึงที่สายไฟ เมื่อจะถอดปลั๊กเครื่องชาร์จ วิธีนี้จะช่วยลดความเสี่ยงที่ปลั๊กและสายไฟจะชำรุดเสียหายได้
- ตรวจสอบให้แน่ใจว่าสายไฟต้องอยู่ในตำแหน่งที่จะไม่ถูกเหยียบ เตะ สะดุด มิฉะนั้นอาจทำให้สายมีความตึงหรือความเสียหายได้
- ห้ามใช้สายต่อพ่วงโดยเด็ดขาด เว้นแต่มีความจำเป็นอย่างหลีกเลี่ยงไม่ได้ การใช้สายต่อพ่วงที่ไม่เหมาะสมอาจทำให้เกิดเพลิงไหม้ ไฟฟ้าช็อต หรืออันตรายจากไฟฟ้าจนถึงแก่ชีวิตได้
- อย่าวางวัตถุใดๆ บนเครื่องชาร์จหรือวางเครื่องชาร์จไว้บนพื้นผิวอ่อนนุ่มที่อาจปิดกั้นช่องระบายอากาศและทำให้เกิดความร้อนภายในที่มากเกินไป วางเครื่องชาร์จในตำแหน่งที่ห่างจากแหล่งกำเนิดความร้อน เครื่องชาร์จมีการระบายความร้อนผ่านทางช่องระบายที่อยู่ด้านบนและด้านล่างของตัวเครื่อง
- ห้ามใช้งานเครื่องชาร์จที่มีสายไฟหรือปลั๊กชำรุดเสียหาย—ให้เปลี่ยนใหม่ทันที
- ห้ามใช้งานเครื่องชาร์จที่ถูกกระแทกอย่างรุนแรง ตกหรือได้รับความเสียหายรูปแบบใดๆ ก็ตาม ให้นำเครื่องชาร์จดังกล่าวไปยังศูนย์บริการที่ได้รับอนุญาต
- ห้ามถอดชิ้นส่วนเครื่องชาร์จเอง โปรดนำเครื่องชาร์จไปยังศูนย์บริการที่ได้รับอนุญาตเมื่อจำเป็นต้องซ่อมแซมหรือรับบริการ การประกอบเครื่องกลับตั้งเดิมอย่างไม่ถูกต้องอาจเสี่ยงต่อการถูกไฟฟ้าช็อต อันตรายจากไฟฟ้าจนถึงแก่ชีวิต หรือเกิดเพลิงไหม้ได้
- ในกรณีที่สายไฟของตัวเครื่องชำรุดเสียหาย สายไฟดังกล่าวต้องได้รับการเปลี่ยนโดยผู้ผลิต หรือตัวแทนศูนย์

บริการของผู้ผลิต หรือบุคคลที่มีคุณสมบัติเทียบเท่าโดยทันที เพื่อหลีกเลี่ยงอันตรายที่อาจเกิดขึ้นได้

- **ถอดปลั๊กของเครื่องชาร์จทุกครั้งก่อนทำความสะอาด** การทำเช่นนี้จะช่วยลดความเสี่ยงจากการถูกไฟฟ้าช็อตได้ การถอดก่อนแบตเตอรี่ออกจะไม่ทำให้ความเสี่ยงนี้ลดลง ห้ามเชื่อมต่อเครื่องชาร์จ 2 เครื่องเข้าด้วยกันโดยเด็ดขาด
- **เครื่องชาร์จออกแบบมาเพื่อทำงานด้วยแรงดันไฟฟ้าบ้านทั่วไป 220-240 โวลต์ ห้ามนำเครื่องชาร์จไปใช้กับแรงดันไฟอื่นๆ ทั้งนี้ไม่รวมถึงเครื่องชาร์จสำหรับใช้ในรถยนต์**







การชาร์จแบตเตอรี่ (รูป B)

1. เสียบเครื่องชาร์จเข้ากับเต้าเสียบที่เหมาะสมก่อนที่จะใส่ก่อนแบตเตอรี่
2. ใส่ก้อนแบตเตอรี่ 6 ลงในเครื่องชาร์จ ตรวจสอบให้แน่ใจว่าใส่แบตเตอรี่ในตำแหน่งจนสุดแล้วไฟสีแดง (การชาร์จ) จะกะพริบซ้ำ ๆ เพื่อระบุว่ากระบวนการชาร์จได้เริ่มขึ้นแล้ว
3. เมื่อการชาร์จเสร็จสมบูรณ์ ไฟสีแดงจะดับสว่างอย่างถาวร เนื่องจากก้อนแบตเตอรี่มีประจุไฟเต็มแล้ว และคุณอาจใช้งานแบตเตอรี่ในขณะที่หรือทิ้งไว้ในเครื่องชาร์จ หากต้องการถอดก้อนแบตเตอรี่ออกจากเครื่องชาร์จ ให้กดปุ่มปลดแบตเตอรี่ที่ 5 บนก้อนแบตเตอรี่

หมายเหตุ: เพื่อให้มั่นใจได้ถึงประสิทธิภาพสูงสุดและอายุการใช้งานของก้อนแบตเตอรี่ลิเทียมไอออน ให้ชาร์จก้อนแบตเตอรี่ให้เต็มก่อนใช้งานครั้งแรก

การทำงานของเครื่องชาร์จ

อ้างอิงจากไฟแสดงสถานะด้านล่างสำหรับสถานะการชาร์จของก้อนแบตเตอรี่

ไฟแสดงสถานะการชาร์จ	
	กำลังชาร์จไฟ 
	ชาร์จเต็มแล้ว 
	หน่วงเวลาเพื่อชาร์จ/เย็น* 

*ไฟสีแดงจะยังคงกะพริบต่อเนื่อง แต่ไฟแสดงสถานะสีเหลืองจะดับสว่างในระหว่างการดำเนินการนี้เมื่อก้อนแบตเตอรี่มีอุณหภูมิที่เหมาะสมแล้ว ไฟสีเหลืองจะดับลงและเครื่องชาร์จจะเริ่มกระบวนการชาร์จต่อ

เครื่องชาร์จที่เข้ากับได้จะไม่ชาร์จก้อนแบตเตอรี่ที่ผิดปกติ หากแบตเตอรี่ผิดปกติ ไฟแสดงสถานะบนเครื่องชาร์จจะไม่ดับสว่าง

หมายเหตุ: นี่อาจหมายถึงปัญหาที่เกิดขึ้นกับเครื่องชาร์จ หากปรากฏว่ามีปัญหาเกิดขึ้นกับเครื่องชาร์จ ให้นำเครื่องชาร์จและแบตเตอรี่แพ็คไปทดสอบที่ศูนย์บริการซ่อมบำรุงที่ได้รับอนุญาต

หน่วงเวลาเพื่อชาร์จ/เย็น

เมื่อเครื่องชาร์จตรวจพบว่าก้อนแบตเตอรี่ร้อนหรือเย็นเกินไป เครื่องจะเริ่มการทำงานหน่วงเวลาเพื่อชาร์จ/เย็นโดยอัตโนมัติ หยุดการชาร์จจนกว่าแบตเตอรี่จะมีอุณหภูมิที่

เหมาะสม จากนั้นเครื่องชาร์จจะสลับไปเป็นโหมดการชาร์จก่อนแบตเตอรี่โดยอัตโนมัติ คุณสมบัตินี้ช่วยให้มั่นใจถึงอายุการใช้งานสูงสุดของก้อนแบตเตอรี่

ก้อนแบตเตอรี่เย็นจะชาร์จในอัตราที่ช้ากว่าก้อนแบตเตอรี่ที่อุ่น ก้อนแบตเตอรี่จะชาร์จในอัตราที่ช้าลงตลอดรอบการชาร์จทั้งหมด และจะไม่กลับสู่อัตราการชาร์จสูงสุดแม้กระทั่งแบตเตอรี่จะอุ่นแล้วก็ตาม

เครื่องชาร์จ DCB118 มาพร้อมกับพัดลมภายในที่ออกแบบมาเพื่อทำให้ก้อนแบตเตอรี่เย็นลง พัดลมจะทำงานโดยอัตโนมัติเมื่อจำเป็นต้องระบายความร้อนของก้อนแบตเตอรี่ อย่างไรก็ตาม เครื่องชาร์จหากพัดลมทำงานไม่ถูกต้องหรือมีการปิดกั้นช่องระบายอากาศ อาจปล่อยให้เกิดอุณหภูมิของปลอกเข้าไปภายในเครื่องชาร์จ

ระบบป้องกันอิเล็กทรอนิกส์

เครื่องมือ XR Li-Ion ได้รับการออกแบบมาพร้อมกับระบบป้องกันอิเล็กทรอนิกส์ที่จะปกป้องก้อนแบตเตอรี่จากการใช้งานหนักเกินพิกัด โหลด ความร้อนสูงเกินไป หรือการคายประจุที่ลึก

เครื่องมือจะหยุดการทำงานโดยอัตโนมัติหากระบบป้องกันอิเล็กทรอนิกส์ทำงาน หากเกิดเหตุการณ์เช่นนี้ ให้วางก้อนแบตเตอรี่ลิเทียมไอออนบนเครื่องชาร์จจนกว่าจะชาร์จจนเต็ม

การติดตั้งบนผนัง

เครื่องชาร์จเหล่านี้ได้รับการออกแบบมาเพื่อให้สามารถติดตั้งกับผนังหรือตั้งตรงบนโต๊ะหรือพื้นผิวการทำงาน หากติดตั้งบนผนัง ใหวางตำแหน่งเครื่องชาร์จใกล้กับเต้าเสียบและห่างจากมุมหรือสิ่งกีดขวางอื่น ๆ ซึ่งอาจขัดขวางการไหลของอากาศ ใช้ด้านหลังของเครื่องชาร์จเป็นแผ่นแนบเกาะสำหรับการวางตำแหน่งของสกรูยึดบนผนัง ติดตั้งเครื่องชาร์จอย่างแน่นหนาด้วยสกรูผนังเบา (ชื่อแยกต่างหาก) ยาวอย่างน้อย 25.4 มม. ด้วยหัวสกรูขนาดเส้นผ่านศูนย์กลาง 7-9 มม. โดยยึดเข้ากับไม้ด้วยความลึกที่เหมาะสม โดยปล่อยให้สกรูโผล่ออกมาประมาณ 5.5 มม. จัดตำแหน่งช่องด้านหลังของเครื่องชาร์จให้ตรงกับสกรูที่โผล่ออกและเกี่ยวเข้ากับช่องให้สมบูรณ์

คำแนะนำในการทำความสะอาดเครื่องชาร์จ

⚠ คำเตือน: อันตรายจากการถูกไฟฟ้าช็อต ถอดเครื่องชาร์จออกจากเต้ารับไฟบ้านก่อนทำความสะอาด ให้ขจัดสิ่งสกปรกและจาระบีออกจากภายนอกของเครื่องชาร์จโดยใช้ผ้าหรือแปรงขนนุ่มที่ไม่ใช่โลหะ ห้ามใช้น้ำหรือน้ำยาทำความสะอาดใดๆ อย่าให้มีของเหลวใดๆ เข้าไปในเครื่องมือเด็ดขาด ห้ามจุ่มส่วนใดๆ ของเครื่องมือลงในของเหลวเด็ดขาด

ชุดแบตเตอรี่

คำแนะนำเพื่อความปลอดภัยที่สำคัญสำหรับ

ก้อนแบตเตอรี่ทั้งหมด

เมื่อสั่งซื้อก้อนแบตเตอรี่ทดแทน โปรดตรวจให้แน่ใจว่าได้ใส่หมายเลขแคตตาล็อกและแรงดันไฟฟ้าแบบไปด้วย

ผู้ผลิตไม่ได้ทำการชาร์จก่อนแบตเตอรี่ที่บรรจุอยู่ในกล่องจนเต็ม ก่อนใช้งานก่อนแบตเตอรี่และเครื่องชาร์จ โปรดอ่านคำแนะนำด้านความปลอดภัยด้านล่างจากนั้นทำตามขั้นตอนการชาร์จที่ระบุไว้

อ่านคำแนะนำทั้งหมด

- ห้ามชาร์จหรือใส่แบตเตอรี่ในบริเวณที่อาจเกิดการระเบิด เช่น ในบริเวณที่มีของเหลว แก๊ส หรือฝุ่นละอองที่มีคุณสมบัติไวไฟ การใส่และถอดแบตเตอรี่ออกจากเครื่องชาร์จอาจเป็นการจุดระเบิดฝุ่นหรือไอระเหยดังกล่าวได้
- ห้ามฝืนใส่แบตเตอรี่ลงในเครื่องชาร์จ ห้ามตัดแปลงก่อนแบตเตอรี่ด้วยวิธีการใดๆ เพื่อให้สามารถใส่ลงในเครื่องชาร์จที่ไม่รองรับแบตเตอรี่นั้น เนื่องจากก่อนแบตเตอรี่อาจจะระเบิดขึ้นและเป็นเหตุให้ได้รับบาดเจ็บสาหัสได้
- ชาร์จแบตเตอรี่ในเครื่องชาร์จของ DEWALT ที่กำหนดเท่านั้น
- ห้ามสูดหรือจุ่มลงในน้ำหรือของเหลวใดๆ โดยเด็ดขาด
- ห้ามจัดเก็บหรือใช้งานเครื่องมือและชุดแบตเตอรี่ในสถานที่ซึ่งอุณหภูมิต่ำกว่า 4 °C (39.2 °F) (เช่น เพิงเก็บของกลางแจ้งหรืออาคารที่เป็นโลหะในฤดูหนาว) หรืออุณหภูมิสูงกว่า 40 °C (104 °F) (เช่น เพิงเก็บของกลางแจ้งหรืออาคารที่เป็นโลหะในฤดูร้อน)
- ห้ามเผาชุดแบตเตอรี่ แม้ว่าชุดแบตเตอรี่นั้นจะได้รับความเสียหายอย่างร้ายแรงหรือใช้งานจนหมดแล้วก็ตาม ชุดแบตเตอรี่สามารถระเบิดในเปลวไฟได้ และจะเกิดแก๊สพิษและสารพิษอันตรายขึ้นเมื่อแบตเตอรี่ลิเทียมไอออนถูกเผา
- หากสารภายในแบตเตอรี่สัมผัสถูกผิวหนัง ให้รีบล้างออกด้วยน้ำสบู่อ่อนๆ ทันที หากของเหลวภายในแบตเตอรี่เข้าตา ให้ลืมตาในน้ำเป็นเวลา 15 นาทีหรือจนไม่รู้สึกระคายเคืองอีก หากจำเป็นต้องไปพบแพทย์ สารอเล็กโทโรไลต์ของแบตเตอรี่เป็นส่วนผสมของสารละลายคาร์บอนเนตอินทรีย์และเกลือลิเทียม
- สารภายในแบตเตอรี่ที่ถูกเปิดออกอาจจะระคายเคืองต่อระบบทางเดินหายใจได้ ให้รีบไปยังสถานที่ที่มีอากาศถ่ายเท หากอาการผิดปกติไม่หายไป ให้รีบพบแพทย์



คำเตือน: อันตรายจากไฟไหม้ ของเหลวในแบตเตอรี่อาจติดไฟได้หากสัมผัสกับประกายไฟหรือเปลวไฟ



คำเตือน: ห้ามพยายามแกะตัวแบตเตอรี่ในทุกกรณี หากตัวก่อนแบตเตอรี่มีรอยแตกหรือเสียหาย ห้ามนำใส่เข้าไปในเครื่องชาร์จโดยเด็ดขาด ห้ามทุบ ท้าดกหรือทำให้ก่อนแบตเตอรี่ชำรุดเสียหาย ห้ามใช้งานแบตเตอรี่และเครื่องชาร์จที่ถูกกระแทกอย่างรุนแรง เคาะตก ถูกทับ หรือได้รับความเสียหายในรูปแบบใดๆ (กล่าวคือ ถูกตะปุดออกทะเล ถูกค้อนทุบ ถูกเหยียบจนชำรุด) เพราะอาจทำให้เกิดไฟฟ้าช็อตหรือเกิดอันตรายจากไฟฟ้าจนถึงแก่ชีวิตได้ ควรส่งแบตเตอรี่ที่ชำรุดเสียหายคืนให้ศูนย์บริการเพื่อนำไปรีไซเคิล



คำเตือน: อันตรายจากเพลิงไหม้อาจเกิดขึ้นหรือเกิดชุดแบตเตอรี่ในลักษณะที่อาจมีวัตถุที่ทำด้วยโลหะและถูกขั้วของแบตเตอรี่ ตัวอย่างเช่น อย่าวางชุดแบตเตอรี่ไว้ในชุดกันเขื่อน กระเป๋ากล่องเครื่องมือกลชุดผลิตภัณฑ์ ลื่นขี้ก เป็นต้น เก็บรวมไว้กับตะปู สกรู คุญแจ เป็นต้น



ข้อควรระวัง: เมื่อไม่ใช้งาน ในห้างเครื่องมือตะแคงไว้บนพื้นผิวที่มันคงที่จะไม่ทำให้เกิดอันตรายจากการสะดุดหรือร่วงหล่น อุปกรณ์บางอย่างที่มีแบตเตอรี่ก่อนใหญ่อาจจะสามารถวางตั้งบนแบตเตอรี่ได้ แต่ก็อาจถูกชนล้มได้ง่ายเช่นกัน

การขนส่ง



คำเตือน: อันตรายจากเพลิงไหม้ การขนส่งแบตเตอรี่อาจทำให้เกิดไฟไหม้ได้ ถ้าขั้วของแบตเตอรี่สัมผัสกับวัตถุที่นำไฟฟ้า เมื่อทำการขนส่งแบตเตอรี่ต้องแน่ใจว่าขั้วแบตเตอรี่ได้รับการป้องกันและได้รับการหุ้มจนอย่างดีเพื่อไม่ให้มีวัตถุใดๆ มาสัมผัสถูกและทำให้เกิดการลัดวงจรได้
หมายเหตุ: จะต้องไม่ใส่แบตเตอรี่ลิเทียมไอออนไว้ในสัมภาระใต้ท้องเครื่อง

แบตเตอรี่ของ DEWALT ปฏิบัติตามข้อกำหนดในการขนส่งที่บังคับใช้ตามที่มีบัญญัติเป็นมาตรฐานของกฎหมายและอุตสาหกรรมทุกประการ ซึ่งประกอบด้วย ข้อแนะนำในการขนส่งสินค้าอันตรายขององค์การสหประชาชาติ (UN Recommendations on the Transport of Dangerous Goods) ระเบียบข้อบังคับของสมาคมขนส่งทางอากาศระหว่างประเทศ (IATA) ข้อกำหนดว่าด้วยการขนส่งสินค้าอันตรายระหว่างประเทศ ขององค์การทางทะเลระหว่างประเทศ (International Maritime Dangerous Goods – IMDG) และข้อตกลงร่วมกับการขนส่งสินค้าอันตรายผ่านแดนทางถนนของกลุ่มประชาคมเศรษฐกิจยุโรป (European Agreement Concerning the International Carriage of Dangerous Goods by Road – ADR) เชลล์และแบตเตอรี่ลิเทียมไอออนได้รับการทดสอบตามเกณฑ์และการทดสอบมาตรา 38.3 ของข้อแนะนำในการขนส่งสินค้าอันตรายขององค์การสหประชาชาติแล้ว

โดยส่วนใหญ่แล้ว การขนส่งแบตเตอรี่ของ DEWALT จะได้รับยกเว้นในการจัดประเภทเป็นวัตถุอันตรายตามที่กำหนดไว้ในประเภทที่ 9 โดยทั่วไปการขนส่งที่บรรจุแบตเตอรี่ลิเทียมไอออนที่มีอัตราพลังงานไฟฟ้ามากกว่า 100 วัตต์-ชั่วโมง (Wh) จะต้องขนส่งตามที่กำหนดไว้ในประเภทที่ 9 โดยต้องมีกาทำเครื่องหมายแสดงอัตราวัตต์-ชั่วโมงไว้ที่หีบห่อของแบตเตอรี่ลิเทียมไอออนทั้งหมด นอกจากนี้ เนื่องจากความซับซ้อนของข้อบังคับ DEWALT ไม่แนะนำให้ขนส่งแบตเตอรี่ลิเทียมไอออนทางอากาศเพียงอย่างเดียวโดยไม่คำนึงถึงอัตราวัตต์-ชั่วโมง การขนส่งเครื่องมือพร้อมแบตเตอรี่ (เครื่องมือชุด) สามารถขนส่งทางอากาศได้

ภาษาไทย

เนื่องจากได้รับยกเว้น หากอัตราวัด-ชั่วโมงของชุดแบตเตอรี่ไม่เกิน 100 วัด-ชั่วโมง

ทั้งนี้ โดยไม่คำนึงว่าการขนส่งจะได้รับยกเว้นหรือต้องปฏิบัติตามอย่างครบถ้วน เป็นความรับผิดชอบของผู้ขนส่งที่จะต้องค้นหาข้อมูลเกี่ยวกับข้อบังคับด้านบรรจุกฎที่ล่าสุด ข้อกำหนดเรื่องการแสดงผลการ/เครื่องหมายและการจัดเตรียมเอกสาร

ข้อมูลในหัวข้อนี้ได้รับการจัดเตรียมโดยสุจริตและเชื่อมั่นว่าถูกต้องในเวลาที่ใช้ทำขึ้น อย่างไรก็ตามไม่ถือว่าเป็นการรับประกันทั้งโดยชัดเจนหรือโดยปริยาย เป็นความรับผิดชอบของผู้ซื้อที่จะตรวจสอบให้แน่ใจว่ากิจกรรมต่างๆ ของบริษัทสอดคล้องตามข้อกำหนดที่บังคับใช้

การขนส่งแบตเตอรี่ FLEXVOLT™

แบตเตอรี่ DEWALT FLEXVOLT™ มีสองโหมด: **การใช้และการขนส่ง**

โหมดการใช้งาน: เมื่อแบตเตอรี่ FLEXVOLT™ แยกอยู่โดดเดี่ยวหรืออยู่ในผลิตภัณฑ์ DEWALT 18V แบตเตอรี่จะทำงานเป็นแบตเตอรี่ 18V เมื่อแบตเตอรี่ FLEXVOLT™ อยู่ในผลิตภัณฑ์ 54V หรือ 108V (แบตเตอรี่ 54V สองก้อน) แบตเตอรี่จะทำงานเป็นแบตเตอรี่ 54V

โหมดการขนส่ง: เมื่อติดตั้งฝาครอบ

กับแบตเตอรี่ FLEXVOLT™ ซึ่งแบตเตอรี่อยู่ในโหมดการขนส่งให้เก็บรักษาฝาครอบสำหรับจัดส่ง

เมื่ออยู่ในโหมดการขนส่ง สตริงของเซลล์จะถูกตัดการเชื่อมต่อทางไฟฟ้าภายในก่อนแบตเตอรี่ ทำให้แบตเตอรี่ 3 ก้อนมีพิกัดวัด-ชั่วโมง

(Wh) ต่ำลงเมื่อเปรียบเทียบกับแบตเตอรี่ 1 ก้อน

ที่มีพิกัดวัด-ชั่วโมงสูง

กว่า มีการยกเว้นปริมาณที่เพิ่มขึ้นของแบตเตอรี่ 3 ก้อนที่มีพิกัดวัด-ชั่วโมงต่ำกว่าจากข้อบังคับการขนส่งที่กำหนดไว้สำหรับแบตเตอรี่ที่มีพิกัดวัด-ชั่วโมงสูงกว่า

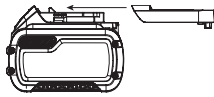
ตัวอย่างเช่น กำลัง Wh

สำหรับการขนส่ง

อาจได้รับการระบุ

เป็น 3 x 36 Wh ซึ่ง

หมายความว่าแบตเตอรี่จำนวน 3 ลูกโดยที่แต่ละลูกมีกำลังเท่ากับ 36 Wh การใช้กำลัง Wh อาจได้รับการแสดงเป็น 108 Wh (หมายถึงแบตเตอรี่ 1 ลูก)



ตัวอย่างเครื่องหมายบนฉลากเกี่ยวกับการใช้งานและการขนส่ง

 Use: 108 Wh
 Transport: 3x36 Wh

คำแนะนำในการเก็บรักษา

- สถานที่เก็บรักษาอุปกรณ์ที่เหมาะสมที่สุดคือสถานที่ซึ่งแห้งและเย็น ไม่ได้รับแสงอาทิตย์โดยตรง และอุณหภูมิไม่ร้อนหรือเย็นมากเกินไป เพื่อให้ประสิทธิภาพและอายุการใช้งานของแบตเตอรี่ยาวนานสูงสุด ควรเก็บรักษาแบตเตอรี่ในอุณหภูมิห้องเมื่อไม่ใช้งาน

2 กรณีเก็บเป็นเวลานาน ให้เก็บแบตเตอรี่ที่ชาร์จเต็มแล้วในสถานที่แห้งและเย็นนอกเครื่องชาร์จ

หมายเหตุ: ไม่ควรเก็บรักษาชุดแบตเตอรี่ในสภาพปราศจากประจุโดยสิ้นเชิง จำเป็นต้องชาร์จแบตเตอรี่ใหม่อีกครั้งก่อนใช้งาน

แผ่นป้ายบนแบตเตอรี่และเครื่องชาร์จ

นอกเหนือจากสัญลักษณ์ภาพที่ใช้ในคู่มือเล่มนี้แล้ว บนเครื่องชาร์จและแบตเตอรี่จะมีสัญลักษณ์ภาพดังต่อไปนี้:



โปรดอ่านคู่มือแนะนำการใช้งานก่อนใช้งาน



โปรดดูข้อมูลทางเทคนิคสำหรับเวลาชาร์จ



ห้ามหยดด้วยวัตถุที่เป็นตัวนำ



ห้ามชาร์จแบตเตอรี่ที่ชำรุด



ห้ามทำให้แบตเตอรี่เปียกน้ำ



เปลี่ยนสายไฟที่ชำรุดทันที



ชาร์จไฟที่อุณหภูมิระหว่าง 4 °C ถึง 40 °C เท่านั้น



ใช้ภายในอาคารเท่านั้น



โปรดทิ้งแบตเตอรี่อย่างเหมาะสมโดยคำนึงถึงผลกระทบต่อสิ่งแวดล้อม

LI-ION



ชาร์จแบตเตอรี่ DeWALT กับเครื่องชาร์จของ DeWALT ที่กำหนดเท่านั้น การชาร์จแบตเตอรี่ชนิดอื่นนอกเหนือจากแบตเตอรี่ที่ DeWALT กำหนดกับเครื่องชาร์จ DeWALT อาจทำให้แบตเตอรี่ระเบิดหรือนำไปสู่สถานการณ์ที่เป็นอันตรายอื่นๆ



ห้ามเผาแบตเตอรี่



โหมดการใช้งาน (โดยไม่มีฝาครอบการขนส่ง) ตัวอย่าง: พิกัด Wh ระบุ 108 Wh (แบตเตอรี่ 1 ก้อนโดยมีขนาด 108 Wh)



โหมดการขนส่ง (พร้อมฝาปิดการขนส่งในตัว) ตัวอย่าง: พิกัด Wh ระบุ 3 x 36 Wh (แบตเตอรี่ 3 ก้อน โดยแต่ละก้อนมีขนาด 36 Wh)

ชนิดของแบตเตอรี่

DCF840 ทำงานกับชุดแบตเตอรี่แรงดันไฟฟ้า 18V (สูงสุด 20V)

ชนิดของแบตเตอรี่

DCF840 ทำงานกับชุดแบตเตอรี่แรงดันไฟฟ้า 18V (สูงสุด 20V) คุณสามารถใช้งานก่อนแบตเตอรี่เหล่านี้ได้: DCB180, DCB181, DCB182, DCB183, DCB184, DCB203, DCB204, DCB205, DCB185, DCB186, DCB187, DCB189, DCB208, DCB240, DCBP034, DCB546, DCB547, DCB548, DCB549, DCB606, DCB609, DCB612, DCB615. อ้างอิง **ตามข้อมูลทางเทคนิค** สำหรับข้อมูลเพิ่มเติม

สิ่งที่อยู่ในบรรจุภัณฑ์

ภายในบรรจุภัณฑ์ประกอบด้วย:

- 1 ไขควงกระแทก
- 1 แท่นชาร์จ
- 1 ตะขอลวด (อุปกรณ์เสริมเฉพาะบางรุ่น)
- 1 กล่องเครื่องมือ (อุปกรณ์เสริมเฉพาะบางรุ่น)
- 1 ก้อนแบตเตอรี่ Li-Ion (รุ่น C1, D1, L1, M1, P1, S1, T1, X1, Y1)
- 2 ก้อนแบตเตอรี่ Li-Ion (รุ่น C2, D2, L2, M2, P2, S2, T2, X2, Y2)
- 3 ก้อนแบตเตอรี่ Li-Ion (รุ่น C3, D3, L3, M3, P3, S3, T3, X3, Y3)
- 1 คู่มือการใช้งาน
- โปรดตรวจหาร่องรอยความเสียหายของเครื่องมือ ชิ้นส่วนหรืออุปกรณ์เสริม ที่อาจเกิดขึ้นในระหว่างการขนส่ง
- โปรดอ่านและทำความเข้าใจคู่มือเล่มนี้ก่อนการใช้งาน

หมายเหตุ: รุ่น N จะไม่มีชุดแบตเตอรี่ ที่ชาร์จและกล่องเครื่องมือให้คุณ รุ่น NT จะไม่มีชุดแบตเตอรี่และที่ชาร์จให้คุณ

สัญลักษณ์บนเครื่องมือ

รูปภาพต่อไปนี้จะปรากฏบนเครื่องมือ:



โปรดอ่านคู่มือแนะนำการใช้งานก่อนใช้งาน



รังสีที่มองเห็นได้ ห้ามจ้องมองลำแสงโดยตรง

ตำแหน่งของรหัสวันที่ (รูป A)

รหัสวันที่ **10** ซึ่งรวมถึง ปีที่ผลิต จะพิมพ์ไว้บนตัวเครื่องตัวอย่างเช่น:

2022 XX XX

ปีที่ผลิต

คำอธิบาย (รูป A)



คำเตือน: ห้ามดัดแปลงเครื่องมือไฟฟ้าหรือส่วนประกอบต่างๆ เพราะอาจทำให้เครื่องมือชำรุดหรือได้รับบาดเจ็บได้

- 1 สวิตช์สั่งงาน
- 2 ปุ่มเดินหน้า/ถอยหลัง
- 3 ปลอกหัวจับ
- 4 หัวจับหกเหลี่ยมแบบปลดเร็วขนาด 6.35 มม
- 5 ปุ่มปลดล๊อคแบตเตอรี่

- 6 ชุดแบตเตอรี่
- 7 ไฟทำงาน
- 8 ตะขอลวด (อุปกรณ์เสริมเฉพาะบางรุ่น)
- 9 สลัก

วัตถุประสงค์ในการใช้งาน

ไขควงกระแทกนี้ได้รับการออกแบบมาสำหรับการทำงานที่เป็นการไขควงกระแทกแบบมืออาชีพ การทำงานที่เป็นการกระแทกจะทำให้เครื่องมือนี้มีประโยชน์เป็นอย่างยิ่งโดยเฉพาะการขับเคลื่อนอุปกรณ์ยึดในไม้ โลหะ และคอนกรีต ห้ามใช้งาน หากอยู่ในบริเวณที่เปียกชื้นหรือมีของเหลวไวไฟหรือแก๊สอยู่ในบริเวณดังกล่าว

สว่าน/เครื่องดอก/สว่านเจาะกระแทกนี้เป็นเครื่องมือไฟฟ้าสำหรับมืออาชีพ

ห้ามปล่อยให้เด็กสัมผัสกับเครื่องมือ ผู้ใช้ที่ไม่ได้ประสบการณ์มาก่อนต้องได้รับการดูแลในขณะที่ใช้เครื่องมือนี้

- ผู้เยาว์และผู้ที่ไม่มีความเชี่ยวชาญ เครื่องมือนี้ไม่ได้มีไว้เพื่อการใช้งานโดยผู้เยาว์หรือผู้ที่ไม่มีความเชี่ยวชาญ โดยไม่มีการควบคุมดูแล
- เครื่องมือนี้ไม่ได้มีไว้เพื่อการใช้งานโดยบุคคล (ซึ่งรวมถึงผู้เยาว์) ที่มีความบกพร่องทางร่างกาย ทางกรับความรู้สึก หรือทางจิตประสาท หรือขาดประสบการณ์ ความรู้ และทักษะ เว้นเสียแต่จะได้รับการควบคุมดูแลหรือคำแนะนำการใช้เครื่องมือโดยผู้ที่มีประสบการณ์ต่อความปลอดภัยของบุคคลเหล่านั้น ห้ามปล่อยให้ผู้เยาว์ไว้กับเครื่องมือตามลำพัง

การประกอบและการปรับแต่ง



คำเตือน: เพื่อลดความเสี่ยงจากการได้รับบาดเจ็บรุนแรง ต้องปิดเครื่องมือและถอดปลั๊กออกจากแหล่งจ่ายไฟก่อนทำการปรับตั้ง หรือทำการถอด/ติดตั้งอุปกรณ์ยึดติดหรืออุปกรณ์เสริมใดๆ ทุกครั้ง การเผลอเปิดเครื่องโดยไม่ตั้งใจอาจเป็นสาเหตุให้เกิดการบาดเจ็บได้



คำเตือน: ใช้แบตเตอรี่และเครื่องชาร์จของ DEWALT เท่านั้น

การใส่และถอดก้อนแบตเตอรี่ออกจากเครื่องมือ (รูป B)

หมายเหตุ: ต้องตรวจให้แน่ใจว่าแบตเตอรี่แพ็ค **6** ของคุณชาร์จจนเต็มแล้ว

ในการติดตั้งชุดแบตเตอรี่ลงในที่จับเครื่องมือ

1. จัดแนวแบตเตอรี่ **6** ให้ตรงกับรางด้านในที่จับของเครื่องมือ (รูป B)
2. เลื่อนเข้าไปในที่จับจนกระทั่งก้อนแบตเตอรี่ฝังอยู่ในเครื่องมืออย่างแน่นสนิท และเพื่อความแน่ใจ คุณจะได้ยินเสียงล๊อคคล็อคเข้าที่

วิธีการถอดแบตเตอรี่ออกจากเครื่องมือ

1. กดปุ่มปลดล๊อค **5** และดึงแบตเตอรี่ออกจากที่จับเครื่องมืออย่างมีกำลัง

2 ใส่ก่อนแบตเตอรี่ลงในเครื่องชาร์จตามที่ได้อธิบายไว้ใน ส่วนของเครื่องชาร์จของคู่มือนี้

ขุมมาตรวัดพลังงานแบตเตอรี่ (รูป B)

แบตเตอรี่ของ DeWALT บางรุ่นมีมาตรวัดพลังงานซึ่งประกอบด้วยไฟ LED สีเขียวสามดวงที่จะระบุระดับประจุที่เหลืออยู่ในก้อนแบตเตอรี่

เพื่อกระตุ้นมาตรวัดพลังงานกดปุ่มมาตรวัดค้างไว้ ไฟ LED สีเขียวสามดวงที่รวมตัวกันจะส่องสว่างเพื่อกำหนดระดับประจุที่เหลือเมื่อระดับประจุไฟฟ้าในแบตเตอรี่ต่ำกว่าขีดจำกัดที่ใช้ทำงานได้ มาตรวัดจะไม่ติดและต้องทำการชาร์จแบตเตอรี่ใหม่ **หมายเหตุ:** มาตรวัดพลังงานเป็นเพียงการบ่งบอกถึงประจุที่เหลืออยู่ในก้อนแบตเตอรี่ซึ่งไม่ได้บ่งบอกถึงการทำงานของเครื่องมือ และอาจมีการเปลี่ยนแปลงตามส่วนประกอบของผลิตภัณฑ์ อุณหภูมิและการใช้งานของผู้ใช้

ตะขอแขวน (รูป A) (อุปกรณ์เสริมเฉพาะบางรุ่น)

! **คำเตือน:** เพื่อลดความเสี่ยงจากการบาดเจ็บส่วนบุคคลร้ายแรง คุณจะต้องใช้เฉพาะตะขอแขวนของเครื่องมือในการแขวนเครื่องมือจากสายพานทำงานเท่านั้น ห้ามใช้ตะขอแขวนในการเชื่อมต่อหรือยึดเครื่องมือกับบุคคลหรือวัตถุใดก็ตามระหว่างการใช้งาน ห้ามแขวนเครื่องมือไว้เหนือศีรษะหรือแขวนวัตถุต่างๆ จากตะขอแขวน

! **คำเตือน:** เพื่อลดความเสี่ยงจากการบาดเจ็บส่วนบุคคลร้ายแรง คุณจะต้องตรวจสอบให้แน่ใจว่าสกรูที่ยึดตะขอแขวนมีความเสถียร

สำคัญ: ใช้เฉพาะสกรูที่จัดหาให้มาเท่านั้นเมื่อทำการใส่หรือเปลี่ยนตะขอแขวน และตรวจสอบให้แน่ใจว่า คุณได้ขันสกรูจนแน่น

คุณสามารถใส่ตะขอแขวน 8 เข้ากับด้านใดด้านหนึ่งของเครื่องมือโดยใช้เฉพาะสกรู 9 ที่จัดหาให้มาเท่านั้นเพื่ออำนวยความสะดวกให้แก่ผู้ใช้ที่ถนัดมือซ้ายหรือมือขวา หากคุณไม่ต้องการใช้ตะขอแขวนเลย คุณสามารถถอดตะขอแขวนออกจากเครื่องมือได้

หากต้องการย้ายตะขอแขวน คุณจะต้องถอดสกรู 9 ที่ได้รับการยึดกับที่ จากนั้นจึงประกอบตะขอแขวนที่ด้านตรงข้าม และตรวจสอบให้แน่ใจว่า คุณได้ขันสกรูจนแน่น

การใช้งาน

วิธีการใช้เครื่อง

! **คำเตือน:** เพื่อลดความเสี่ยงจากการได้รับบาดเจ็บรุนแรง ต้องปิดเครื่องมือและถอดปลั๊กออกจากแหล่งจ่ายไฟก่อนทำการปรับตั้ง หรือถอด/ติดตั้งอุปกรณ์ยึดติดหรืออุปกรณ์เสริมใดๆ ทุกครั้ง การเผลอเปิดเครื่องโดยไม่ได้ตั้งใจอาจเป็นสาเหตุให้เกิดการบาดเจ็บได้

ตำแหน่งการจับที่เหมาะสม (รูป D)

! **คำเตือน:** เพื่อลดความเสี่ยงจากการได้รับบาดเจ็บสาหัส ให้จับเครื่องมือในตำแหน่งที่ถูกต้องดังแสดงในภาพเสมอ

! **คำเตือน:** เพื่อลดความเสี่ยงจากการได้รับบาดเจ็บสาหัส ต้องจับเครื่องมือให้แน่นทุกครั้งเพื่อเตรียมพร้อมสำหรับแรงปฏิกิริยาที่เกิดขึ้นแบบทันทีทันใด

ในการวางตำแหน่งมือที่เหมาะสม คุณจะต้องวางมือข้างหนึ่งไว้ที่ตามจับหลัก 11

สวิตซ์สั่งงานความเร็วรอบ (รูป A)

บีบสวิตซ์สั่งงาน 1 หากคุณต้องการจะเปิดเครื่อง และปล่อยสวิตซ์สั่งงานหากคุณต้องการจะปิดเครื่อง เครื่องมือของคุณได้รับการติดตั้งมาพร้อมกับเบรก หัวจับจะหยุดทำงานเมื่อคุณปล่อยสวิตซ์สั่งงานจนสุด สวิตซ์ความเร็วรอบจะช่วยให้คุณเริ่มต้นการทำงานที่ระดับความเร็วต่ำ ยิ่งคุณบีบสวิตซ์มากเท่าใด เครื่องมือก็จะยิ่งทำงานเร็วขึ้น ทั้งนี้ คุณควรใช้ความเร็วรอบกับการเริ่มต้นเจาะรูหรือใช้กับอุปกรณ์ยึดเท่านั้นเพื่ออายุการใช้งานสูงสุดของเครื่องมือ

หมายเหตุ: ไม่แนะนำให้คุณใช้พลังความเร็วรอบอย่างต่อเนื่อง การทำเช่นนั้นอาจทำให้สวิตซ์เสียหายได้ และเป็นสิ่งที่จะต้องหลีกเลี่ยง

ปุ่มควบคุมการเดินหน้า/การถอยหลัง (รูป A)

ปุ่มควบคุมการเดินหน้า/การถอยหลัง 2 จะกำหนดทิศทางของเครื่องมือ และจะทำหน้าที่เป็นปุ่มล็อคเช่นกัน

หากต้องการเลือกการหมุนแบบเดินหน้า ให้คุณปล่อยสวิตซ์สั่งงาน และกดปุ่มควบคุมการเดินหน้า/การถอยหลังทางด้านขวาของเครื่องมือ

หากต้องการเลือกการหมุนแบบถอยหลัง ให้คุณปล่อยสวิตซ์สั่งงาน และกดปุ่มควบคุมการเดินหน้า/การถอยหลังทางด้านซ้ายของเครื่องมือ

ตำแหน่งตรงกลางของปุ่มควบคุมจะล็อคเครื่องมือให้อยู่ในตำแหน่งปิดเครื่อง เมื่อทำการเปลี่ยนตำแหน่งของปุ่มควบคุม คุณจะต้องตรวจสอบให้แน่ใจว่า คุณได้ปล่อยสวิตซ์สั่งงานแล้ว

หมายเหตุ: ในครั้งแรกที่ใช้งานเครื่องมือหลังจากที่เปลี่ยนทิศทางของการหมุน คุณอาจจะได้ยินเสียงดังกริกในตอนที่เริ่มต้น เรื่องดังกล่าวถือเป็นเรื่องปกติ และไม่ได้แสดงถึงปัญหาแต่อย่างใด

ไฟทำงาน (รูป A)

ไฟทำงาน 7 จะอยู่ที่เหนือสวิตซ์สั่งงาน 1 และไฟทำงานดังกล่าวจะทำงานเมื่อคุณกดสวิตซ์สั่งงาน เมื่อคุณปล่อยสวิตซ์สั่งงาน ไฟทำงานจะยังคงสว่างต่อไปอีก 20 วินาที หากคุณกดสวิตซ์สั่งงานค้างไว้ ไฟทำงานจะสว่างอย่างต่อเนื่อง

หมายเหตุ: ไฟทำงานมีไว้สำหรับการให้แสงสว่างสำหรับ
หัวหน้าของงานเท่านั้น และไม่มีเจตนาในการนำไปใช้งาน
เป็นไฟฉาย

หัวจับแบบสวมเร็ว (รูป A, C)



คำเตือน: ใช้เฉพาะอุปกรณ์เสริมสำหรับการ
กระแทกเท่านั้น อุปกรณ์เสริมที่ไม่ได้มีไว้สำหรับ
การกระแทกอาจแตกหัก และก่อให้เกิดสถานการณ์
ที่เป็นอันตรายได้ ตรวจสอบอุปกรณ์เสริมก่อนการ
ใช้งานเพื่อให้แน่ใจว่าอุปกรณ์เสริมดังกล่าวไม่มี
รอยแตก

หมายเหตุ: คุณสามารถใช้หัวจับได้กับอุปกรณ์เสริมแบบ
หกเหลี่ยมขนาด 6.35 มม. เท่านั้น

ปุ่มเด็ทหน้า/ถอยหลัง **2** จะต้องอยู่ในตำแหน่งล็อก (ตรง
กลาง) หรือคุณจะต้องถอดชุดแบตเตอรี่ออกก่อนที่จะ
เปลี่ยนอุปกรณ์เสริม

หากต้องการใส่อุปกรณ์เสริม คุณจะต้องดันอุปกรณ์เสริม
ให้เข้าไปในหัวจับ **4** จนสุด ทั้งนี้ คุณไม่จำเป็นต้องดึง
ปลอกหัวจับ **3** ขึ้นเพื่อล็อกอุปกรณ์เสริมให้อยู่กับที่
หากต้องการถอดอุปกรณ์เสริม คุณจะต้องดึงปลอกหัว
จับออกจากด้านหน้าของเครื่องมือ จากนั้นจึงถอดอุปกรณ์
เสริมออก

การใช้งาน

เครื่องมือสำหรับการกระแทกของคุณจะสร้างแรงแรงบิดตั้ง
ต่อไปนี้:

หมวดหมู่	นิวตัน-เมตร	ฟุต-ปอนด์	นิ้ว-ปอนด์
DCF840	192	142.6	1700



ข้อควรระวัง: ตรวจสอบให้แน่ใจว่า อุปกรณ์ยึด
และ/หรือระบบจะสามารถต้านทานระดับของแรงบิด
ที่เกิดจากเครื่องมือได้ แรงบิดที่มากเกินไปอาจก่อให้เกิดการ
แตกหักและการบาดเจ็บส่วนบุคคลได้

- วางอุปกรณ์เสริมไว้บนหัวของอุปกรณ์ยึด ทั้งนี้ เครื่อง
มือจะต้องชัตตรงไปที่อุปกรณ์ยึดอยู่เสมอ
- กดสวิตช์เพื่อเริ่มต้นการทำงาน และปล่อยสวิตช์เพื่อ
หยุดการทำงาน หมั่นตรวจสอบแรงบิดโดยใช้ประแจวัด
แรงบิดเนื่องจากแรงบิดในการขันจะได้รับผลกระทบจาก
ปัจจัยหลายประการรวมถึง:
 - แรงดันไฟฟ้า:** แรงดันไฟฟ้าต่ำเนื่องจากแบตเตอรี่
ที่ใช้งานจนใกล้หมดจะลดแรงบิดในการขันลง
 - ขนาดของอุปกรณ์เสริม:** การใช้ขนาดของอุปกรณ์
เสริมที่ไม่ถูกต้องจะทำให้แรงบิดในการขันลดลง
 - ขนาดของสลัก:** โดยทั่วไปนั้น เส้นผ่านศูนย์กลาง
ของสลักที่ใหญ่กว่าจะต้องใช้แรงบิดในการขันที่มาก
กว่า ทั้งนี้ แรงบิดในการขันจะแตกต่างกันออกไป
ตามความยาว ระดับ และสัมประสิทธิ์ของแรงบิด

- สลัก:** ตรวจสอบให้แน่ใจว่า เกลียวทั้งหมดปราศจาก
สนิมและเศษต่างๆ เพื่อให้เกิดแรงบิดในการขันที่
เหมาะสม
- วัสดุ:** ประเภทของวัสดุและเคลือบผิวของวัสดุคง
กล่าวว่าจะส่งผลกระทบต่อแรงบิดในการขัน
- เวลาในการขัน:** เวลาในการขันที่นานขึ้นจะส่งผลให้
แรงบิดในการขันเพิ่มขึ้น การใช้เวลาในการขันที่นาน
กว่าเวลาที่แนะนำอาจทำให้อุปกรณ์ยึดเกิดความเค้น
ที่มากเกินไป รีกกขาด หรือชำรุดเสียหายได้

การบำรุงรักษา

เครื่องมือไฟฟ้า ออกแบบมาเพื่อให้สามารถใช้งานได้ยาว
ยาวนานโดยมีการบำรุงรักษาน้อยที่สุด การทำงานที่สร้าง
ความพึงพอใจอย่างต่อเนื่องจะขึ้นอยู่กับการดูแลรักษาที่
เหมาะสมและการทำความสะอาดอย่างสม่ำเสมอ



คำเตือน: เพื่อลดความเสี่ยงจากการได้รับบาดเจ็บ
รุนแรง ต้องปิดเครื่องมือและถอดปลั๊กออกจาก
แหล่งจ่ายไฟก่อนทำการปรับตั้ง หรือถอด/
ติดตั้งอุปกรณ์ยึดติดหรืออุปกรณ์เสริมใดๆ ทุก
ครั้ง การเผลอเปิดเครื่องโดยไม่ตั้งใจอาจเป็น
สาเหตุให้เกิดการบาดเจ็บได้

เครื่องชาร์จและชุดแบตเตอรี่ไม่สามารถซ่อมแซมได้



การหล่อน

ไม่จำเป็นต้องใช้การหล่อนเพิ่มเติมกับเครื่องมือไฟฟ้านี้



การทำความสะอาด



คำเตือน: หมั่นเป่าสิ่งสกปรกและฝุ่นละอองที่สะสม
ออกจากตัวเครื่องเป็นประจำด้วยลมแห้ง เนื่องจาก
สิ่งสกปรกมักสะสมอยู่ภายในและรอบๆ ช่องระบาย
อากาศ สวมอุปกรณ์ป้องกันดวงตาและหน้ากากกัน
ฝุ่นที่ได้มาตรฐานในขณะที่ดำเนินการขันตอนนี้



คำเตือน: ห้ามใช้สารที่เป็นตัวทำละลายหรือสาร
เคมีที่มีฤทธิ์กัดกร่อนรุนแรงอื่นๆ ทำความสะอาดชิ้น
ส่วนที่ไม่ใช่โลหะของเครื่องมือ สารเคมีเหล่านี้อาจ
ส่งผลต่อวัสดุที่ใช้ในชิ้นส่วนเหล่านี้ ใช้เฉพาะผ้าขุ
บน้ำนุ่มอ่อนๆ เท่านั้น อย่าให้มีของเหลวใดๆ เข้าไป
ในเครื่องมือเด็ดขาด ห้ามจุ่มส่วนใดๆ ของเครื่องมือ
ลงในของเหลวเด็ดขาด

อุปกรณ์เสริม



คำเตือน: เนื่องจากอุปกรณ์เสริมอื่นนอกเหนือจาก
ที่ DEWALT มีจำหน่ายไม่ได้ผ่านการทดสอบร่วมกับ
ผลิตภัณฑ์นี้ จึงอาจเป็นอันตรายหากใช้อุปกรณ์
เสริมดังกล่าวร่วมกับเครื่องมือนี้ เพื่อเป็นการลด
ความเสี่ยงจากการได้รับบาดเจ็บ ให้ใช้อุปกรณ์เสริม

เฉพาะที่ DEWALT แนะนำให้ใช้ร่วมกับผลิตภัณฑ์เหล่านี้



คำเตือน: ใช้เฉพาะอุปกรณ์เสริมสำหรับการกระแทกเท่านั้น อุปกรณ์เสริมที่ไม่ใช่สำหรับการกระแทกอาจแตกหักและก่อให้เกิดสภาวะที่เป็นอันตรายได้ ตรวจสอบอุปกรณ์เสริมก่อนที่จะใช้งาน เพื่อให้แน่ใจได้ว่าอุปกรณ์เสริมไม่มีรอยแตกใดๆ

โปรดติดต่อตัวแทนจำหน่ายหากต้องการข้อมูลเพิ่มเติมเกี่ยวกับอุปกรณ์เสริมที่เหมาะสม

การปกป้องสิ่งแวดล้อม



การเก็บรวบรวมแบบคัดแยก ห้ามทิ้งผลิตภัณฑ์และแบตเตอรี่ที่มีสัญลักษณ์นี้รวมกับขยะในครัว

รีไซเคิล

ผลิตภัณฑ์และแบตเตอรี่ประกอบด้วยวัสดุที่สามารถนำกลับมาใช้ใหม่หรือรีไซเคิลได้เพื่อลดความต้องการวัสดุดิบ โปรดรีไซเคิลอุปกรณ์ไฟฟ้าและแบตเตอรี่ตามข้อบังคับในท้องถิ่น ดูข้อมูลเพิ่มเติมได้ที่ www.2helpU.com

ชุดแบตเตอรี่แบบชาร์จซ้ำได้

แบตเตอรี่ที่มีอายุการใช้งานยาวนานนี้จำเป็นต้องรับการชาร์จไฟใหม่เมื่อไม่สามารถจ่ายพลังงานเพียงพอสำหรับการทำงานซึ่งเคยทำได้โดยง่าย เมื่อแบตเตอรี่หมดอายุการใช้งานทางด้านเทคนิคแล้ว ให้นำแบตเตอรี่ไปกำจัดทิ้งโดยคำนึงถึงผลกระทบต่อสิ่งแวดล้อม:

- ใช้แบตเตอรี่ให้หมดเกลี้ยง จากนั้นถอดแบตเตอรี่ออกจากเครื่องมือ
- แบตเตอรี่ลิเทียมไอออนสามารถรีไซเคิลได้ โปรดนำไปที่ตัวแทนจำหน่ายหรือสถานีรีไซเคิลในพื้นที่ของคุณ ชุดแบตเตอรี่ที่เรารวบรวมได้จะนำไปรีไซเคิลหรือกำจัดอย่างเหมาะสมต่อไป

บริการหลังการขายและการซ่อมแซมผลิตภัณฑ์

ศูนย์บริการ DeWALT ของเราประกอบไปด้วยบุคลากรที่ได้รับการฝึกอบรมมาเป็นอย่างดีในการให้บริการผลิตภัณฑ์ที่มีประสิทธิภาพและไว้วางใจได้แก่ลูกค้า อย่างไรก็ตาม เราจะไม่รับผิดชอบใดๆ หากคุณซ่อมแซมผลิตภัณฑ์กับศูนย์บริการที่ไม่ได้รับการอนุญาตจากเรา คุณสามารถดูที่ตั้งของศูนย์ติดต่อได้จากแผ่นพับในบรรจุภัณฑ์ของผลิตภัณฑ์และติดต่อเราได้ผ่านสายด่วน เว็บไซต์หรือโซเชียลมีเดียเพื่อค้นหาศูนย์บริการ DeWALT ซึ่งอยู่ใกล้คุณมากที่สุด