
DEWALT®

XR LI-ION

www.DEWALT.com

DCD708

DCD709

English	3
简体中文	13
繁體中文	22
한국어	30
ภาษาไทย	39

Fig. A
图 A
圖 A
그림 A
꺠뵁 A

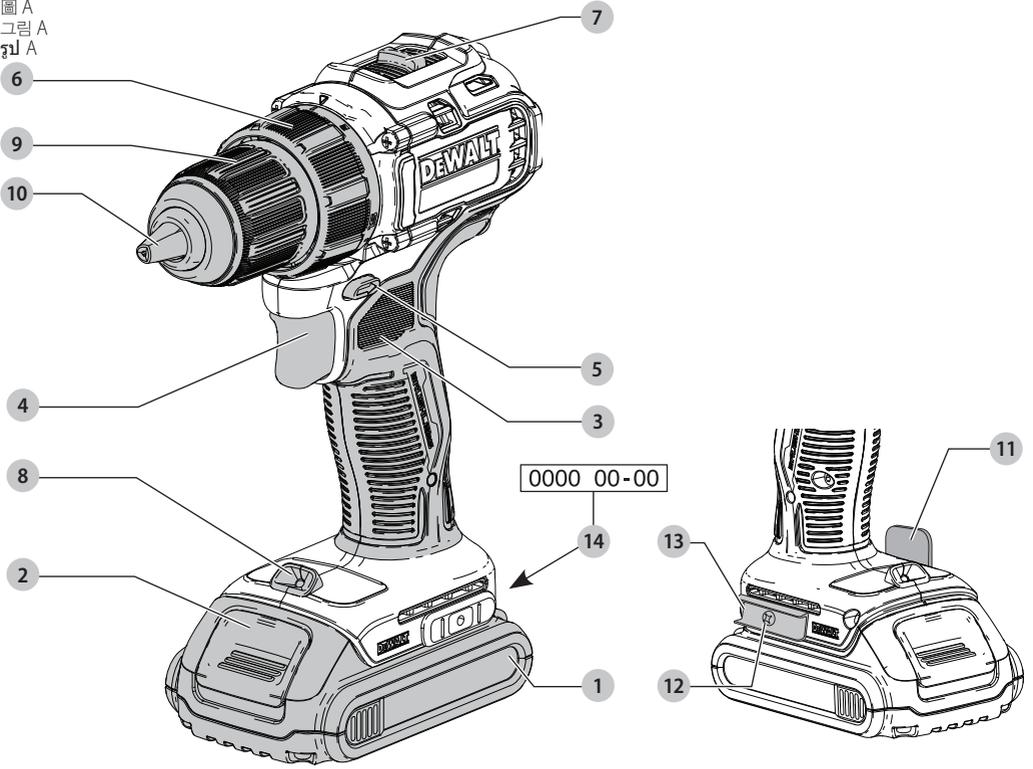


Fig. B
图 B
圖 B
그림 B
꺠뵁 B

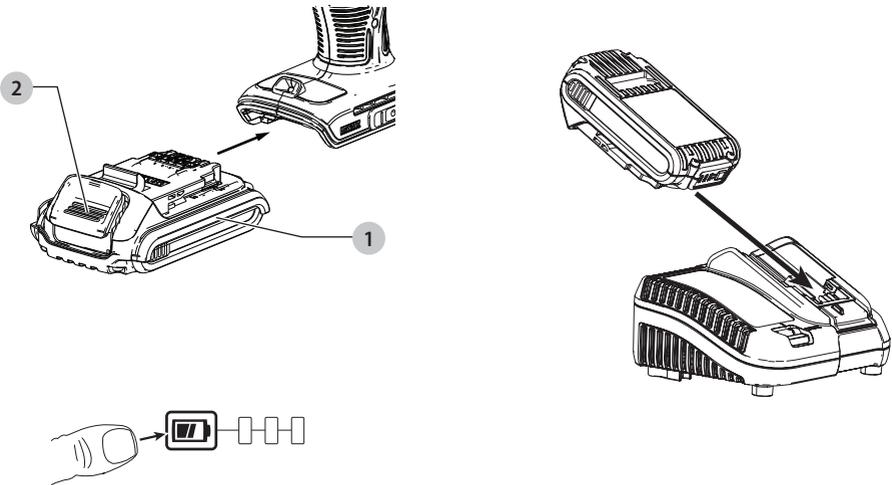


Fig. C
图 C
圖 C
그림 C
꺆뵡 C

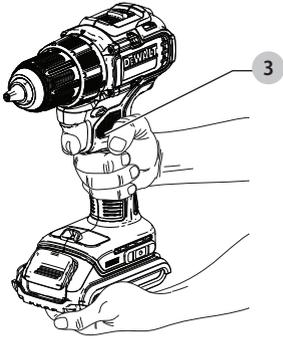


Fig. D
图 D
圖 D
그림 D
꺆뵡 D

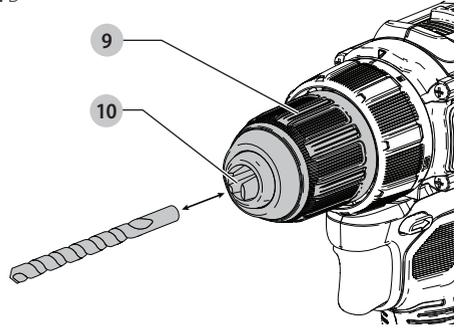
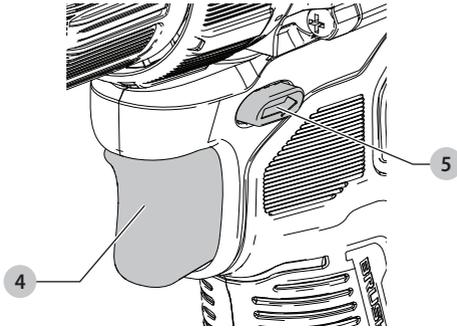


Fig. E
图 E
圖 E
그림 E
꺆뵡 E



CORDLESS COMPACT 13 mm DRILL/DRIVER/HAMMERDRILL

DCD708, DCD709

Congratulations!

You have chosen a DeWALT tool. Years of experience, thorough product development and innovation make DeWALT one of the most reliable partners for professional power tool users.

Technical Data

		DCD708	DCD709
Voltage	V _{DC}	18(20 Max)	18(20 Max)
Battery type		Li-Ion	Li-Ion
Power output	W	340	340
No-load speed			
1st gear	min ⁻¹	0–450	0–450
2nd gear	min ⁻¹	0–1650	0–1650
Beats per minute			
1st gear		–	0–7650
2nd gear		–	0–28050
Max. Torque (hard/soft)	Nm	65/26	65/26
Chuck capacity	mm	1.5–13	1.5–13
Maximum drilling capacity			
Wood	mm	30	30
Metal	mm	13	13
Masonry	mm	–	13
Weight (without battery pack)	kg	1.10	1.20

The vibration emission level given in this information sheet has been measured in accordance with a standardised test given in IEC60335 and may be used to compare one tool with another. It may be used for a preliminary assessment of exposure.

 **WARNING:** The declared vibration emission level represents the main applications of the tool. However if the tool is used for different applications, with different accessories or poorly maintained, the vibration emission

may differ. This may significantly increase the exposure level over the total working period.

An estimation of the level of exposure to vibration should also take into account the times when the tool is switched off or when it is running but not actually doing the job.

This may significantly reduce the exposure level over the total working period.

Identify additional safety measures to protect the operator from the effects of vibration such as: maintain the tool and the accessories, keep the hands warm, organisation of work patterns.



WARNING: To reduce the risk of injury, read the instruction manual.

Definitions: Safety Guidelines

The definitions below describe the level of severity for each signal word. Please read the manual and pay attention to these symbols.



DANGER: Indicates an imminently hazardous situation which, if not avoided, **will** result in **death or serious injury**.



WARNING: Indicates a potentially hazardous situation which, if not avoided, **could** result in **death or serious injury**.



CAUTION: Indicates a potentially hazardous situation which, if not avoided, **may** result in **minor or moderate injury**.

NOTICE: Indicates a practice **not related to personal injury** which, if not avoided, **may** result in **property damage**.



Denotes risk of electric shock.



Denotes risk of fire.

Batteries				Chargers / Charge Times (Minutes)							
Cat#	V _{DC}	Ah	Weight(kg)	DCB104	DCB107	DCB112	DCB115	DCB117	DCB118	DCB132	DCB1112
DCB546/DCB606	18/54 (20/60 Max)	6.0/2.0	1.08	60	270	170	90	40	60	90	40
DCB547/DCB609	18/54 (20/60 Max)	9.0/3.0	1.46	75*	420	270	135*	60	75*	135*	60
DCB548/DCB612	18/54 (20/60 Max)	12.0/4.0	1.46	120	540	350	180	80	120	180	80
DCB549/DCB615	18/54 (20/60 Max)	15.0/5.0	2.12	125	730	450	230	90	125	230	90
DCB181	18 (20 Max)	1.5	0.35	22	70	45	22	22	22	22	22
DCB182/DCB204	18 (20 Max)	4.0	0.61	60/40**	185	120	60	60/40**	60/40**	60	60/40**
DCB183/DCB203	18 (20 Max)	2.0	0.40	30	90	60	30	30	30	30	30
DCB184/DCB205	18 (20 Max)	5.0	0.62	75/50**	240	150	75	75/50**	75/50**	75	75/50**
DCB185	18 (20 Max)	1.3	0.35	22	60	40	22	22	22	22	22
DCB187	18 (20 Max)	3.0	0.54	45	140	90	45	45	45	45	45
DCB189/DCB240	18 (20 Max)	4.0	0.54	60	185	120	60	60	60	60	60
DCB186	18 (20 Max)	6.0	0.95	60	270	170	90	60	60	90	60
DCBP034	18 (20 Max)	1.7	0.32	27	82	50	27	27	27	27	27

*Date code 201811475B or later

**Date code 201536 or later

GENERAL POWER TOOL SAFETY WARNINGS



WARNING: Read all safety warnings, instructions, illustrations and specifications provided with this power tool. Failure to follow all instructions listed below may result in electric shock, fire and/or serious injury.

SAVE ALL WARNINGS AND INSTRUCTIONS FOR FUTURE REFERENCE.

The term "power tool" in the warnings refers to your mains-operated (corded) power tool or battery-operated (cordless) power tool.

1) Work Area Safety

- a) **Keep work area clean and well lit.** Cluttered or dark areas invite accidents.
- b) **Do not operate power tools in explosive atmospheres, such as in the presence of flammable liquids, gases or dust.** Power tools create sparks which may ignite the dust or fumes.
- c) **Keep children and bystanders away while operating a power tool.** Distractions can cause you to lose control.

2) Electrical Safety

- a) **Power tool plugs must match the outlet. Never modify the plug in any way. Do not use any adapter plugs with earthed (grounded) power tools.** Unmodified plugs and matching outlets will reduce risk of electric shock.
- b) **Avoid body contact with earthed or grounded surfaces such as pipes, radiators, ranges and refrigerators.** There is an increased risk of electric shock if your body is earthed or grounded.
- c) **Do not expose power tools to rain or wet conditions.** Water entering a power tool will increase the risk of electric shock.
- d) **Do not abuse the cord. Never use the cord for carrying, pulling or unplugging the power tool. Keep cord away from heat, oil, sharp edges or moving parts.** Damaged or entangled cords increase the risk of electric shock.
- e) **When operating a power tool outdoors, use an extension cord suitable for outdoor use.** Use of a cord suitable for outdoor use reduces the risk of electric shock.
- f) **If operating a power tool in a damp location is unavoidable, use a residual current device (RCD) protected supply.** Use of an RCD reduces the risk of electric shock.

3) Personal Safety

- a) **Stay alert, watch what you are doing and use common sense when operating a power tool. Do not use a power tool while you are tired or under the influence of drugs, alcohol or medication.** A moment of inattention while operating power tools may result in serious personal injury.
- b) **Use personal protective equipment. Always wear eye protection.** Protective equipment such as dust mask, non-skid safety shoes, hard hat or hearing protection used for appropriate conditions will reduce personal injuries.

- c) **Prevent unintentional starting. Ensure the switch is in the off-position before connecting to power source and/or battery pack, picking up or carrying the tool.** Carrying power tools with your finger on the switch or energising power tools that have the switch on invites accidents.
- d) **Remove any adjusting key or wrench before turning the power tool on.** A wrench or a key left attached to a rotating part of the power tool may result in personal injury.
- e) **Do not overreach. Keep proper footing and balance at all times.** This enables better control of the power tool in unexpected situations.
- f) **Dress properly. Do not wear loose clothing or jewellery. Keep your hair and clothing away from moving parts.** Loose clothes, jewellery or long hair can be caught in moving parts.
- g) **If devices are provided for the connection of dust extraction and collection facilities, ensure these are connected and properly used.** Use of dust collection can reduce dust-related hazards.
- h) **Do not let familiarity gained from frequent use of tools allow you to become complacent and ignore tool safety principles.** A careless action can cause severe injury within a fraction of a second.

4) Power Tool Use and Care

- a) **Do not force the power tool. Use the correct power tool for your application.** The correct power tool will do the job better and safer at the rate for which it was designed.
- b) **Do not use the power tool if the switch does not turn it on and off.** Any power tool that cannot be controlled with the switch is dangerous and must be repaired.
- c) **Disconnect the plug from the power source and/or the battery pack, if detachable, from the power tool before making any adjustments, changing accessories, or storing power tools.** Such preventive safety measures reduce the risk of starting the power tool accidentally.
- d) **Store idle power tools out of the reach of children and do not allow persons unfamiliar with the power tool or these instructions to operate the power tool.** Power tools are dangerous in the hands of untrained users.
- e) **Maintain power tools and accessories. Check for misalignment or binding of moving parts, breakage of parts and any other condition that may affect the power tool's operation. If damaged, have the power tool repaired before use.** Many accidents are caused by poorly maintained power tools.
- f) **Keep cutting tools sharp and clean.** Properly maintained cutting tools with sharp cutting edges are less likely to bind and are easier to control.
- g) **Use the power tool, accessories and tool bits, etc. in accordance with these instructions, taking into account the working conditions and the work to be performed.** Use of the power tool for operations different from those intended could result in a hazardous situation.

- h) **Keep handles and grasping surfaces dry, clean and free from oil and grease.** Slippery handles and grasping surfaces do not allow for safe handling and control of the tool in unexpected situations.

5) Battery Tool Use and Care

- a) **Recharge only with the charger specified by the manufacturer.** A charger that is suitable for one type of battery pack may create a risk of fire when used with another battery pack.
- b) **Use power tools only with specifically designated battery packs.** Use of any other battery packs may create a risk of injury and fire.
- c) **When battery pack is not in use, keep it away from other metal objects, like paper clips, coins, keys, nails, screws or other small metal objects, that can make a connection from one terminal to another.** Shorting the battery terminals together may cause burns or a fire.
- d) **Under abusive conditions, liquid may be ejected from the battery; avoid contact. If contact accidentally occurs, flush with water. If liquid contacts eyes, additionally seek medical help.** Liquid ejected from the battery may cause irritation or burns.
- e) **Do not use a battery pack or tool that is damaged or modified.** Damaged or modified batteries may exhibit unpredictable behaviour resulting in fire, explosion or risk of injury.
- f) **Do not expose a battery pack or tool to fire or excessive temperature.** Exposure to fire or temperature above 130 °C may cause explosion.
- g) **Follow all charging instructions and do not charge the battery pack or tool outside the temperature range specified in the instructions.** Charging improperly or at temperatures outside the specified range may damage the battery and increase the risk of fire.

6) Service

- a) **Have your power tool serviced by a qualified repair person using only identical replacement parts.** This will ensure that the safety of the power tool is maintained.
- b) **Never service damaged battery packs.** Service of battery packs should only be performed by the manufacturer or authorized service providers.

Safety Instructions When Using Long Drill Bits

- **Never operate at higher speed than the maximum speed rating of the drill bit.** At higher speeds, the bit is likely to bend if allowed to rotate freely without contacting the workpiece, resulting in personal injury.
- **Always start drilling at low speed and with the bit tip in contact with the workpiece.** At higher speeds, the bit is likely to bend if allowed to rotate freely without contacting the workpiece, resulting in personal injury.
- **Apply pressure only in direct line with the bit and do not apply excessive pressure.** Bits can bend causing breakage or loss of control, resulting in personal injury.

Additional Safety Warnings for Drill/ Driver/ Hammerdrill

- **Use clamps or other practical way to secure and support the workpiece to a stable platform.** Holding the work by hand or against your body is unstable and may lead to loss of control.
- **Accessories and tool may get hot during operation.** Wear gloves when handling them if performing heat producing applications such as drilling metals.
- **Air vents often cover moving parts and should be avoided.** Loose clothes, jewelry or long hair can be caught in moving parts.
- **Wear safety goggles or other eye protection.** Hammering and drilling operations cause chips to fly. Flying particles can cause permanent eye damage.
- **Wear ear protectors when impact drilling.** Exposure to noise can cause hearing loss.
- **Use auxiliary handle(s), if supplied with the tool.** Loss of control can cause personal injury.
- **Hold power tool by insulated gripping surfaces, when performing an operation where the cutting accessory may contact hidden wiring.** Cutting accessory contacting a "live" wire may make exposed metal parts of the power tool "live" and could give the operator an electric shock.
- **Do not operate this tool for long periods of time. Vibration caused by tool action may be harmful to your hands and arms.** Use gloves to provide extra cushion and limit exposure by taking frequent rest periods.

Residual Risks

In spite of the application of the relevant safety regulations and the implementation of safety devices, certain residual risks cannot be avoided. These are:

- Impairment of hearing.
- Risk of personal injury due to flying particles.
- Risk of burns due to accessories becoming hot during operation.
- Risk of personal injury due to prolonged use.

SAVE THESE INSTRUCTIONS

Chargers

DeWALT chargers require no adjustment and are designed to be as easy as possible to operate.

Electrical Safety

The electric motor has been designed for one voltage only. Always check that the battery pack voltage corresponds to the voltage on the rating plate. Also make sure that the voltage of your charger corresponds to that of your mains.



Your DeWALT charger is double insulated in accordance with IEC60335; therefore no earth wire is required.

If the supply cord is damaged, it must be replaced by a specially prepared cord available through the DeWALT service organisation.

Using an Extension Cable

An extension cord should not be used unless absolutely necessary. Use an approved extension cable suitable for the power input of your charger (see **Technical Data**). The minimum conductor size is 1 mm²; the maximum length is 30 m.

When using a cable reel, always unwind the cable completely.

Important Safety Instructions for All Battery Chargers

SAVE THESE INSTRUCTIONS: This manual contains important safety and operating instructions for compatible battery chargers (refer to **Technical Data**).

- Before using charger, read all instructions and cautionary markings on charger, battery pack, and product using battery pack.



WARNING: Shock hazard. Do not allow any liquid to get inside charger. Electric shock may result.



WARNING: We recommend the use of a residual current device with a residual current rating of 30mA or less.



CAUTION: Burn hazard. To reduce the risk of injury, charge only DEWALT rechargeable batteries. Other types of batteries may burst causing personal injury and damage.



CAUTION: Children should be supervised to ensure that they do not play with the appliance.

NOTICE: Under certain conditions, with the charger plugged into the power supply, the exposed charging contacts inside the charger can be shorted by foreign material. Foreign materials of a conductive nature such as, but not limited to, steel wool, aluminum foil or any buildup of metallic particles should be kept away from charger cavities. Always unplug the charger from the power supply when there is no battery pack in the cavity. Unplug charger before attempting to clean

- **DO NOT attempt to charge the battery pack with any chargers other than the ones in this manual.** The charger and battery pack are specifically designed to work together.
- **These chargers are not intended for any uses other than charging DEWALT rechargeable batteries.** Any other uses may result in risk of fire, electric shock or electrocution.
- **Do not expose charger to rain or snow.**
- **Pull by plug rather than cord when disconnecting charger.** This will reduce risk of damage to electric plug and cord.
- **Make sure that cord is located so that it will not be stepped on, tripped over, or otherwise subjected to damage or stress.**
- **Do not use an extension cord unless it is absolutely necessary.** Use of improper extension cord could result in risk of fire, electric shock, or electrocution.
- **Do not place any object on top of charger or place the charger on a soft surface that might block the ventilation slots and result in excessive internal heat.** Place the charger in a position away from any heat source. The

charger is ventilated through slots in the top and the bottom of the housing.

- **Do not operate charger with damaged cord or plug—** have them replaced immediately.
- **Do not operate charger if it has received a sharp blow, been dropped, or otherwise damaged in any way.** Take it to an authorised service centre.
- **Do not disassemble charger; take it to an authorised service centre when service or repair is required.** Incorrect reassembly may result in a risk of electric shock, electrocution or fire.
- In case of damaged power supply cord the supply cord must be replaced immediately by the manufacturer, its service agent or similar qualified person to prevent any hazard.
- **Disconnect the charger from the outlet before attempting any cleaning. This will reduce the risk of electric shock.** Removing the battery pack will not reduce this risk.
- **NEVER** attempt to connect two chargers together.
- **The charger is designed to operate on standard 220-240V household electrical power. Do not attempt to use it on any other voltage.** This does not apply to the vehicular charger.

Charging a Battery (Fig. B)

1. Plug the charger into an appropriate outlet before inserting battery pack.
2. Insert the battery pack ① into the charger, making sure the battery pack is fully seated in the charger. The red (charging) light will blink repeatedly indicating that the charging process has started.
3. The completion of charge will be indicated by the red light remaining ON continuously. The battery pack is fully charged and may be used at this time or left in the charger. To remove the battery pack from the charger, push the battery release button ② on the battery pack.

NOTE: To ensure maximum performance and life of lithium-ion battery packs, charge the battery pack fully before first use.

Charger Operation

Refer to the indicators below for the charge status of the battery pack.

Charge Indicators

	Charging		
	Fully Charged		
	Hot/Cold Pack Delay*		

*The red light will continue to blink, but a yellow indicator light will be illuminated during this operation. Once the battery pack has reached an appropriate temperature, the yellow light will turn off and the charger will resume the charging procedure.

The compatible charger(s) will not charge a faulty battery pack. The charger will indicate faulty battery by refusing to light.

NOTE: This could also mean a problem with a charger.

If the charger indicates a problem, take the charger and battery pack to be tested at an authorised service centre.

Hot/Cold Pack Delay

When the charger detects a battery pack that is too hot or too cold, it automatically starts a Hot/Cold Pack Delay, suspending charging until the battery pack has reached an appropriate temperature. The charger then automatically switches to the pack charging mode. This feature ensures maximum battery pack life.

A cold battery pack will charge at a slower rate than a warm battery pack. The battery pack will charge at that slower rate throughout the entire charging cycle and will not return to maximum charge rate even if the battery pack warms.

The DCB118 charger is equipped with an internal fan designed to cool the battery pack. The fan will turn on automatically when the battery pack needs to be cooled. Never operate the charger if the fan does not operate properly or if ventilation slots are blocked. Do not permit foreign objects to enter the interior of the charger.

Electronic Protection System

XR Li-Ion tools are designed with an Electronic Protection System that will protect the battery pack against overloading, overheating or deep discharge.

The tool will automatically turn off if the Electronic Protection System engages. If this occurs, place the lithium-ion battery pack on the charger until it is fully charged.

Wall Mounting

These chargers are designed to be wall mountable or to sit upright on a table or work surface. If wall mounting, locate the charger within reach of an electrical outlet, and away from a corner or other obstructions which may impede air flow. Use the back of the charger as a template for the location of the mounting screws on the wall. Mount the charger securely using drywall screws (purchased separately) at least 25.4 mm long with a screw head diameter of 7–9 mm, screwed into wood to an optimal depth leaving approximately 5.5 mm of the screw exposed. Align the slots on the back of the charger with the exposed screws and fully engage them in the slots.

Charger Cleaning Instructions



WARNING: Shock hazard. Disconnect the charger from the AC outlet before cleaning. Dirt and grease may be removed from the exterior of the charger using a cloth or soft non-metallic brush. Do not use water or any cleaning solutions. Never let any liquid get inside the tool; never immerse any part of the tool into a liquid.

Battery Packs

Important Safety Instructions for All Battery Packs

When ordering replacement battery packs, be sure to include catalogue number and voltage.

The battery pack is not fully charged out of the carton. Before using the battery pack and charger, read the safety instructions below. Then follow charging procedures outlined.

READ ALL INSTRUCTIONS

- **Do not charge or use battery in explosive atmospheres, such as in the presence of flammable liquids, gases or dust.** Inserting or removing the battery from the charger may ignite the dust or fumes.
- **Never force battery pack into charger. Do not modify battery pack in any way to fit into a non-compatible charger as battery pack may rupture causing serious personal injury.**
- Charge the battery packs only in DeWALT chargers.
- **DO NOT splash or immerse in water or other liquids.**
- **Do not store or use the tool and battery pack in locations where the temperature may reach or exceed 40 °C (104 °F) (such as outside sheds or metal buildings in summer).**
- **Do not incinerate the battery pack even if it is severely damaged or is completely worn out.** The battery pack can explode in a fire. Toxic fumes and materials are created when lithium-ion battery packs are burned.
- **If battery contents come into contact with the skin, immediately wash area with mild soap and water.** If battery liquid gets into the eye, rinse water over the open eye for 15 minutes or until irritation ceases. If medical attention is needed, the battery electrolyte is composed of a mixture of liquid organic carbonates and lithium salts.
- **Contents of opened battery cells may cause respiratory irritation.** Provide fresh air. If symptoms persists, seek medical attention.



WARNING: Burn hazard. Battery liquid may be flammable if exposed to spark or flame.



WARNING: Never attempt to open the battery pack for any reason. If battery pack case is cracked or damaged, do not insert into charger. Do not crush, drop or damage battery pack. Do not use a battery pack or charger that has received a sharp blow, been dropped, run over or damaged in any way (i.e., pierced with a nail, hit with a hammer, stepped on). Electric shock or electrocution may result. Damaged battery packs should be returned to service centre for recycling.



WARNING: Fire hazard. Do not store or carry the battery pack so that metal objects can contact exposed battery terminals. For example, do not place the battery pack in aprons, pockets, tool boxes, product kit boxes, drawers, etc., with loose nails, screws, keys, etc.



CAUTION: When not in use, place tool on its side on a stable surface where it will not cause a tripping or falling hazard. Some tools with large battery packs will stand upright on the battery pack but may be easily knocked over.

Transportation



WARNING: Fire hazard. Transporting batteries can possibly cause fire if the battery terminals inadvertently come in contact with conductive materials. When transporting batteries, make sure that the battery terminals are protected and well insulated from materials

that could contact them and cause a short circuit.

NOTE: Lithium-ion batteries should not be put in checked baggage.

DEWALT batteries comply with all applicable shipping regulations as prescribed by industry and legal standards which include UN Recommendations on the Transport of Dangerous Goods; International Air Transport Association (IATA) Dangerous Goods Regulations, International Maritime Dangerous Goods (IMDG) Regulations, and the European Agreement Concerning The International Carriage of Dangerous Goods by Road (ADR). Lithium-ion cells and batteries have been tested to section 38.3 of the UN Recommendations on the Transport of Dangerous Goods Manual of Tests and Criteria.

In most instances, shipping a DEWALT battery pack will be excepted from being classified as a fully regulated Class 9 Hazardous Material. In general, only shipments containing a lithium-ion battery with an energy rating greater than 100 Watt Hours (Wh) will require being shipped as fully regulated Class 9. All lithium-ion batteries have the Watt Hour rating marked on the pack. Furthermore, due to regulation complexities, DEWALT does not recommend air shipping lithium-ion battery packs alone regardless of Watt Hour rating. Shipments of tools with batteries (combo kits) can be air shipped as excepted if the Watt Hour rating of the battery pack is no greater than 100 Whr.

Regardless of whether a shipment is considered excepted or fully regulated, it is the shipper's responsibility to consult the latest regulations for packaging, labeling/marketing and documentation requirements.

The information provided in this section of the manual is provided in good faith and believed to be accurate at the time the document was created. However, no warranty, expressed or implied, is given. It is the buyer's responsibility to ensure that its activities comply with the applicable regulations.

Transporting the FLEXVOLT™ Battery

The DEWALT FLEXVOLT™ battery has two modes: **Use** and **Transport**.

Use Mode: When the FLEXVOLT™ battery stands alone or is in a DEWALT 18V (20V Max) product, it will operate as an 18V (20V Max) battery. When the FLEXVOLT™ battery is in a 54V (60V Max) or a 108V (120V Max) (two 54V (60V Max) batteries) product, it will operate as a 54V (60V Max) battery.

Transport Mode: When the cap is attached to the FLEXVOLT™ battery, the battery is in Transport mode. Keep the cap for shipping.

When in Transport mode, strings of cells are electrically disconnected within the pack resulting in 3 batteries with a lower Watt hour (Wh) rating as compared to 1 battery with a higher Watt hour rating. This increased quantity of 3 batteries with the lower Watt hour rating can exempt the pack from certain shipping regulations that are imposed upon the higher Watt hour batteries.

For example, the Transport Wh rating might indicate 3 x 36 Wh, meaning 3

Example of Use and Transport Label Marking



batteries of 36 Wh each. The Use Wh rating might indicate 108 Wh (1 battery implied).

Storage Recommendations

1. The best storage place is one that is cool and dry away from direct sunlight and excess heat or cold. For optimum battery performance and life, store battery packs at room temperature when not in use.
2. For long storage, it is recommended to store a fully charged battery pack in a cool, dry place out of the charger for optimal results.

NOTE: Battery packs should not be stored completely depleted of charge. The battery pack will need to be recharged before use.

Labels on Charger and Battery Pack

In addition to the pictographs used in this manual, the labels on the charger and the battery pack may show the following pictographs:



Read instruction manual before use.



See **Technical Data** for charging time.



Do not probe with conductive objects.



Do not charge damaged battery packs.



Do not expose to water.



Have defective cords replaced immediately.



Charge only between 4 °C and 40 °C.



Only for indoor use.



Discard the battery pack with due care for the environment.



Charge DEWALT battery packs only with designated DEWALT chargers. Charging battery packs other than the designated DEWALT batteries with a DEWALT charger may make them burst or lead to other dangerous situations.



Do not incinerate the battery pack.



USE (without transport cap). Example: Wh rating indicates 108 Wh (1 battery with 108 Wh).



TRANSPORT (with built-in transport cap). Example: Wh rating indicates 3 x 36 Wh (3 batteries of 36 Wh).

Battery Type

The DCD708/DCD709 operates on an 18 volt (20V Max) battery pack.

These battery packs may be used: DCB181, DCB182, DCB183, DCB184, DCB185, DCB187, DCB189, DCB203, DCB204, DCB205, DCB546, DCB547, DCB548, DCB606, DCB609, DCB612, DCBP034. Refer to **Technical Data** for more information.

Package Contents

The package contains:

- 1 Drill/driver (DCD708) or Hammerdrill (DCD709)
- 1 Charger
- 1 Belt hook (included with some models)
- 1 Magnetic bit holder (included with some models)
- 1 Li-Ion battery pack (C1, D1, E1, L1, M1, P1, S1, T1, X1, Y1 models)
- 2 Li-Ion battery packs (C2, D2, E2, L2, M2, P2, S2, T2, X2, Y2 models)
- 3 Li-Ion battery packs (C3, D3, E3, L3, M3, P3, S3, T3, X3, Y3 models)
- 1 Instruction manual
- *Check for damage to the tool, parts or accessories which may have occurred during transport.*
- *Take the time to thoroughly read and understand this manual prior to operation.*

Markings on Tool

The following pictograms are shown on the tool:



Read instruction manual before use.



Wear ear protection.



Wear eye protection.



Visible radiation. Do not stare into light.

Date Code Position (Fig. A)

The date code **14**, which also includes the year of manufacture, is printed into the housing.

Example:

2022 XX XX

Year of Manufacture

Description (Fig. A)



WARNING: Never modify the power tool or any part of it. Damage or personal injury could result.

- 1 Battery pack
- 2 Battery pack release button
- 3 Main handle
- 4 Variable speed trigger
- 5 Forward/reverse control button

- 6 Mode selection collar
- 7 Speed selector
- 8 Worklight
- 9 Chuck sleeve
- 10 Keyless chuck
- 11 Belt hook (included with some models)
- 12 Screw
- 13 Magnetic bit holder (included with some models)
- 14 Date code

Intended Use

These drills/drivers/hammerdrills are designed for professional drilling, percussion drilling and screwdriving applications.

DO NOT use under wet conditions or in the presence of flammable liquids or gases.

These drills/drivers/hammerdrills are professional power tools.

DO NOT let children come into contact with the tool. Supervision is required when inexperienced operators use this tool.

- **Young children and the infirm.** This appliance is not intended for use by young children or infirm persons without supervision.
- This product is not intended for use by persons (including children) suffering from diminished physical, sensory or mental abilities; lack of experience, knowledge or skills unless they are supervised by a person responsible for their safety. Children should never be left alone with this product.

ASSEMBLY AND ADJUSTMENTS



WARNING: To reduce the risk of serious personal injury, turn tool off and remove the battery pack before making any adjustments or removing/installing attachments or accessories. An accidental start-up can cause injury.



WARNING: Use only DEWALT battery packs and chargers.

Inserting and Removing the Battery Pack from the Tool (Fig. B)

NOTE: Make sure your battery pack **1** is fully charged.

To Install the Battery Pack into the Tool Handle

1. Align the battery pack **1** with the rails inside the tool's handle (Fig. B).
2. Slide it into the handle until the battery pack is firmly seated in the tool and ensure that you hear the lock snap into place.

To Remove the Battery Pack from the Tool

1. Press the release button **2** and firmly pull the battery pack out of the tool handle.
2. Insert battery pack into the charger as described in the charger section of this manual.

Fuel Gauge Battery Packs (Fig. B)

Some DEWALT battery packs include a fuel gauge which consists of three green LED lights that indicate the level of charge remaining in the battery pack.

To actuate the fuel gauge, press and hold the fuel gauge button. A combination of the three green LED lights will illuminate designating the level of charge left. When the level of charge in the battery is below the usable limit, the fuel gauge will not illuminate and the battery will need to be recharged.

NOTE: The fuel gauge is only an indication of the charge left on the battery pack. It does not indicate tool functionality and is subject to variation based on product components, temperature and end-user application.

Belt Hook and Magnetic Bit Holder (Fig. A) (Optional Accessories)



WARNING: To reduce the risk of serious personal injury, **DO NOT** suspend tool overhead or suspend objects from the belt hook. **ONLY** hang tool's belt hook from a work belt.



WARNING: To reduce the risk of serious personal injury, ensure the screw holding the belt hook is secure.

IMPORTANT: When attaching or replacing a belt hook or magnetic bit holder, use only the screw that is provided. Be sure to securely tighten the screw.

A belt hook **11** and magnetic bit holder **13** can be attached to either side of the tool using only the screw **12** provided, to accommodate left- or right-handed users. If the hook or magnetic bit holder is not desired at all, it can be removed from the tool.

To move belt hook or magnetic bit holder, remove the screw **12** that holds it in place then reassemble on the opposite side. Be sure to securely tighten the screw.

Installing a Bit or Accessory into a Keyless Chuck (Fig. D)



WARNING: Do not attempt to tighten drill bits (or any other accessory) by gripping the front part of the chuck and turning the tool on. Damage to the chuck and personal injury may result. Always lock off trigger switch and disconnect tool from power source when changing accessories.



WARNING: Always ensure the bit is secure before starting the tool. A loose bit may eject from tool causing possible personal injury.

Your tool features a keyless chuck **10** with one rotating sleeve **9** for one-handed operation of the chuck. To insert a drill bit or other accessory, follow these steps.

1. Turn tool off and remove battery pack.
2. Grasp the black sleeve of the chuck with one hand and use the other hand to secure the tool. Rotate the sleeve counterclockwise far enough to accept the desired accessory.
3. Insert the accessory about 19 mm into the chuck and tighten securely by rotating the chuck sleeve clockwise with one hand while holding the tool with the other. Your tool is equipped with an automatic spindle lock mechanism. This allows you to open and close the chuck with one hand.

Be sure to tighten chuck with one hand on the chuck sleeve and one hand holding the tool for maximum tightness.

To release the accessory, repeat steps 1 and 2 above.

Speed Selection (Fig. A)

The tool features two speed settings for greater versatility.

NOTE: Do not change speeds when the tool is running. Always allow the tool to come to a complete stop before changing speed.

1. To select speed 1 (high torque setting), turn the tool off and permit it to stop. Slide the speed selector **7** back (away from the chuck).
2. To select speed 2 (high speed setting), turn the tool off and permit it to stop. Slide the speed selector **7** forward (toward the chuck).

If the tool does not change speeds, confirm that the speed selection switch is completely engaged in the forward or back position.

Mode Selection (Fig. A)

The mode selection collar **6** can be used to select the correct operating mode depending upon the planned application.

To select, rotate the collar until the desired symbol aligns with the arrow.

Symbol	Mode
	Drilling
1-15	Screwdriving (higher number = greater torque)
	Hammerdrilling (DCD709 only)

Variable Speed Trigger and Forward/Reverse Control Button (Fig. A, E)

The drill is turned on and off by pulling and releasing the variable speed trigger **4**. The farther the trigger is depressed, the higher the speed of the drill. Your tool is equipped with a brake. The chuck will stop as soon as the trigger switch is fully released.

A forward/reverse control button **5** determines the rotational direction of the tool and also serves as a lock-off button.

- To select forward rotation, release the trigger and depress the forward/reverse control button on the right side of the tool.
- To select reverse, depress the forward/reverse control button on the left side of the tool.

NOTE: The centre position of the control button locks the tool in the off position. When changing the position of the control button, be sure the trigger is released.

NOTE: Continuous use in variable speed range is not recommended. It may damage the switch and should be avoided.

NOTE: The first time the tool is run after changing the direction of rotation, you may hear a click on start up. This is normal and does not indicate a problem.

OPERATION

Instructions for Use



WARNING: Always observe the safety instructions and applicable regulations.



WARNING: To reduce the risk of serious personal injury, turn tool off and remove the battery pack before making any adjustments or removing/installing attachments or accessories. An accidental start-up can cause injury.

Proper Hand Position (Fig. C)



WARNING: To reduce the risk of serious personal injury, ALWAYS use proper hand position as shown.



WARNING: To reduce the risk of serious personal injury, ALWAYS hold securely in anticipation of a sudden reaction.

Proper hand position requires one hand on the main handle ③ and one hand on the battery pack.

Worklight (Fig. A)

There is a worklight ⑧ located on the foot of the tool. The worklight is activated when the trigger switch is depressed. When the trigger is released, the worklight will stay illuminated for up to 20 seconds.

NOTE: The worklight is for lighting the immediate work surface and is not intended to be used as a flashlight.

Performing an Application (Fig. A, D)



WARNING: To reduce the risk of personal injury, ALWAYS ensure workpiece is anchored or clamped firmly.



WARNING: Always wait until the motor has come to a complete standstill before changing the direction of rotation.

Prior to performing work:

- Set the speed selector ⑦. Refer to **Speed Selection**.
- Install the appropriate bit or accessory into the chuck. Refer to **Installing a Bit or Accessory into a Keyless Chuck**.



WARNING:

- Do not use this tool to mix or pump easily combustible or explosive fluids (benzine, alcohol, etc.).
- Do not mix or stir flammable liquids labeled accordingly.

Screwdriving

Your tool has a clutch with adjustable torque for driving and removing a wide array of fastener shapes and sizes. The numbers on the mode selection collar ⑥ are used to set a torque range for screwdriving. The higher the number on the collar, the higher the torque and the larger the fastener which can be driven.

1. Turn the mode selection collar ⑥ to the desired position. Refer to **Mode Selection**.

2. Pull the trigger switch applying pressure in a straight line with the bit until the fastener is seated at the desired depth in the workpiece.

Recommendations for Screwdriving

- Start with lower torque settings, then advance to higher torque settings to avoid damage to the workpiece or fastener.
- Make some practice runs in scrap or on unseen areas of the workpiece to determine the proper position of the mode selection collar.

Drilling

1. Turn the mode selection collar ⑥ to the drill symbol. Refer to **Mode Selection**.

2. Place drill bit in contact with the workpiece.

NOTE: Use sharp drill bit only.

3. Pull the trigger applying pressure in a straight line with the bit until it reaches the desired depth.



WARNING: Drill may stall if overloaded causing a sudden twist. Always expect the stall. Grip the drill firmly to control the twisting action and avoid injury.

4. Keep the motor running when pulling the bit back out of a drilled hole to prevent jamming.

Recommendations for Drilling

- When drilling, always apply pressure in a straight line with the bit, but do not push hard enough to stall the motor or deflect the bit.
- **IF THE DRILL STALLS:**
 - **RELEASE TRIGGER SWITCH IMMEDIATELY**, remove drill bit from work, and determine cause of stalling.
 - **DO NOT DEPRESS TRIGGER SWITCH ON AND OFF IN AN ATTEMPT TO START A STALLED DRILL—THIS CAN DAMAGE THE DRILL.**
 - To minimize stalling or breaking through the material, reduce pressure on drill and ease the bit through the last fractional part of the hole.
- Large holes (7.9 mm to 12.7 mm) in steel can be made easier if a pilot hole (4 mm to 4.8 mm) is drilled first.
- If drilling thin material or material that is prone to splinter, use a wood "back-up" block to prevent damage to the work piece.

Hammerdrilling



WARNING: Wear proper respiratory protection. Collect residual dust with a vacuum or dust collection system designed for the application.

DCD709 Only

IMPORTANT: Use carbide-tipped or masonry bits rated for percussion drilling only.

1. Select the desired speed/torque range using the speed selector ⑦ to match the speed and torque to the planned operation. Turn the mode selection collar ⑥ to the hammerdrill symbol.
2. Pull the trigger, applying just enough pressure on the hammer to keep it from bouncing excessively or "rising" off the bit.

Recommendations for Hammerdrilling

- Too much force will cause slower drilling speeds, overheating, and a lower drilling rate.
- A smooth even flow of material indicates the proper drilling rate.
- Drill straight, keeping the bit at a right angle to the work. Do not exert side pressure on the bit when drilling as this will cause clogging of the bit flutes and a slower drilling speed.
- When drilling deep holes, if the hammer speed starts to drop off, pull the bit partially out of the hole with tool still running to help clear debris from the hole.

MAINTENANCE

Your DEWALT power tool has been designed to operate over a long period of time with a minimum of maintenance. Continuous satisfactory operation depends upon proper tool care and regular cleaning.



WARNING: To reduce the risk of serious personal injury, turn tool off and remove the battery pack before making any adjustments or removing/installing attachments or accessories. An accidental start-up can cause injury.

The charger and battery pack are not serviceable.



Lubrication

Your power tool requires no additional lubrication.



Cleaning



WARNING: Blow dirt and dust out of the main housing with dry air as often as dirt is seen collecting in and around the air vents. Wear approved eye protection and approved dust mask when performing this procedure.



WARNING: Never use solvents or other harsh chemicals for cleaning the non-metallic parts of the tool. These chemicals may weaken the materials used in these parts. Use a cloth dampened only with water and mild soap. Never let any liquid get inside the tool; never immerse any part of the tool into a liquid.

Optional Accessories



WARNING: Since accessories, other than those offered by DEWALT, have not been tested with this product, use of such accessories with this tool could be hazardous. To reduce the risk of injury, only DEWALT recommended accessories should be used with this product.

Consult your dealer for further information on the appropriate accessories.

Protecting the Environment



Separate collection. Products and batteries marked with this symbol must not be disposed of with normal household waste.

Products and batteries contain materials that can be recovered or recycled reducing the demand for raw materials. Please recycle electrical products and batteries according to local provisions. Further information is available at www.2helpU.com.

Rechargeable Battery Pack

This long life battery pack must be recharged when it fails to produce sufficient power on jobs which were easily done before. At the end of its technical life, discard it with due care for our environment:

- Run the battery pack down completely, then remove it from the tool.
- Li-Ion cells are recyclable. Take them to your dealer or a local recycling station. The collected battery packs will be recycled or disposed of properly.

充电式紧凑型 13 毫米电钻/起子/冲击钻

DCD708, DCD709

恭喜!

感谢您选购 DeWALT 工具。凭借多年的产品开发和创新经验，DeWALT 已经成为专业电动工具用户最可靠的合作伙伴之一。

技术参数

		DCD708	DCD709
电压	伏特 _{直流}	18 (最大 20)	18 (最大 20)
电池类型		锂离子	锂离子
功率输出	瓦	340	340
空载转速			
1 档	转/分	0-450	0-450
2 档	转/分	0-1650	0-1650
每分钟冲击数			
1 档		-	0-7650
2 档		-	0-28050
最大扭矩 (硬/软)	Nm	65/26	65/26
夹头尺寸	毫米	1.5-13	1.5-13
最大钻孔能力			
木材	毫米	30	30
金属	毫米	13	13
砖石	毫米	-	13
重量 (不含电池组)	千克	1.10	1.20

本信息表中所载的振动发射标准依据 IEC60335 提供的标准测试测量，并且可用于工具间的比较。它可用于噪音的初步评估。



警告: 我们所公布的振动发射级适用于本工具的主要应用。然而，如果将本工具用于其他应用、为其使用不同的配件或保养不当，则振动发射值可能会不同。这可能会大幅度提高总工作时间内的噪音级。

在关闭工具电源、或运行中的工具实际上并未工作时，也应考虑到其噪音级或振动。这可能会大幅度降低总工作期间的噪音级。确定额外的安全措施以保护操作员免受振动影响，比如：保养工具和配件、双手保持温暖、组织工作模式。



警告: 为降低伤害风险，请阅读使用手册。

定义：安全指南

下列定义描述了各标志术语的严重程度。请仔细阅读本手册，并注意这些标志。



危险: 表示存在紧急危险情况，如果不加以避免，**将导致死亡或严重伤害。**



警告: 表示存在潜在的危险情况，如果不加以避免，**可能导致死亡或严重伤害。**



警示: 表示存在潜在危险情况，如果不加以避免，**可能导致轻度或中度伤害。**

注意: 表示存在不涉及人身伤害的情况，如果不加以避免，**可能导致财产损失。**



表示存在触电风险。



表示存在火灾风险。

电池				充电器/充电时间 (分钟)							
目录号	伏特 _{直流}	安时	重量(kg)	DCB104	DCB107	DCB112	DCB115	DCB117	DCB118	DCB132	DCB1112
DCB546/DCB606	18/54 (20/60 Max)	6.0/2.0	1.05	60	270	170	90	40	60	90	40
DCB547/DCB609	18/54 (20/60 Max)	9.0/3.0	1.46	75*	420	270	135*	60	75*	135*	60
DCB548/DCB612	18/54 (20/60 Max)	12.0/4.0	1.44	120	540	350	180	80	120	180	80
DCB181	18 (20 Max)	1.5	0.35	22	70	45	22	22	22	22	22
DCB182/DCB204	18 (20 Max)	4.0	0.61	60/40**	185	120	60	60/40**	60/40**	60	60/40**
DCB183/DCB203	18 (20 Max)	2.0	0.40	30	90	60	30	30	30	30	30
DCB184/DCB205	18 (20 Max)	5.0	0.62	75/50**	240	150	75	75/50**	75/50**	75	75/50**
DCB185	18 (20 Max)	1.3	0.35	22	60	40	22	22	22	22	22
DCB187	18 (20 Max)	3.0	0.54	45	140	90	45	45	45	45	45
DCB189/DCB240	18 (20 Max)	4.0	0.54	60	185	120	60	60	60	60	60
DCB186	18 (20 Max)	6.0	0.95	60	270	170	90	60	60	90	60
DCBP034	18 (20 Max)	1.7	0.32	27	82	50	27	27	27	27	27

*日期码201811475B或以后

**日期码201536或以后

电动工具通用安全警告



警告！ 阅读随电动工具提供的所有安全警告、说明、图示和规定。不遵照以下所列说明会导致电击、着火和/或严重伤害。

保存所有警告和说明书以备查阅。

警告中的术语“电动工具”指市电驱动（有线）电动工具或电池驱动（无线）电动工具。

a) 工作场地的安全

- 1) 保持工作场地清洁和明亮。杂乱和黑暗的场地会引发事故。
- 2) 不要在易爆环境，如有易燃液体、气体或粉尘的环境下操作电动工具。电动工具产生的火花会点燃粉尘或气体。
- 3) 操作电动工具时，远离儿童和旁观者。注意力不集中会让你失去对工具的控制。

b) 电气安全

- 1) 电动工具插头必须与插座相配。绝不能以任何方式改装插头。需接地的电动工具不能使用任何转换插头。未经改装的插头和相配的插座将降低电击风险。
- 2) 避免人体接触接地表面，如管道、散热器和冰箱。如果你身体接触接地表面会增加电击风险。
- 3) 不得将电动工具暴露在雨中或潮湿环境中。水进入电动工具将增加电击风险。
- 4) 不得滥用软线。绝不能用软线搬运、拉动电动工具或拔出其插头。使软线远离热源、油、锐边或运动部件。受损或缠绕的软线会增加电击风险。
- 5) 当在户外使用电动工具时，使用适合户外使用的延长线。适合户外使用的电线将降低电击风险。
- 6) 如果无法避免在潮湿环境下操作电动工具，应使用带有剩余电流装置（RCD）保护的电源。RCD的使用可降低电击风险。

c) 人身安全

- 1) 保持警觉，当操作电动工具时关注所从事的操作并保持清醒。当你感到疲倦，或在有药物、酒精或治疗反应时，不要操作电动工具。在操作电动工具时瞬间的疏忽会导致严重人身伤害。
- 2) 使用个人防护装置。始终佩戴护目镜。防护装置，诸如适当条件下使用防尘面具、防滑安全鞋、安全帽、听力防护等装置能减少人身伤害。
- 3) 防止意外启动。在连接电源和/或电池盒、拿起或搬运工具前确保开关处于关闭位置。手指放在开关上搬运工具或开关处于接通时通电会导致危险。
- 4) 在电动工具接通之前，拿掉所有调节钥匙或扳手。遗留在电动工具旋转零件上的扳手或钥匙会导致人身伤害。
- 5) 手不要过分伸展。时刻注意立足点和身体平衡。这样能在意外情况下能更好地控制住电动工具。
- 6) 着装适当。不要穿宽松衣服或佩戴饰品。让你的头发和衣服远离运动部件。宽松衣服、配饰或长发可能会卷入运动部件。
- 7) 如果提供了与排屑、集尘设备连接用的装置，要确保其连接完好且使用得当。使用集尘装置可降低尘屑引起的危险。
- 8) 不要因为频繁使用工具而产生的熟悉感而掉以轻心，忽视工具的安全准则。某个粗心的动作可能在瞬间导致严重的伤害。

d) 电动工具使用和注意事项

- 1) 不要勉强使用电动工具，根据用途使用合适的电动工具。选用合适的按照额定值设计的电动工具会使你工作更有效更安全。
- 2) 如果开关不能接通或关断电源，则不能使用该电动工具。不能通过开关来控制的电动工具是危险的且必须进行修理。
- 3) 在进行任何调节、更换附件或贮存电动工具之前，必须从电源上拔掉插头和/或卸下电池包（如可拆卸）。这种防护性的安全措施降低了电动工具意外起动的风险。
- 4) 将闲置不用的电动工具贮存在儿童所及范围之外，并且不允许不熟悉电动工具和不了解这些说明的人操作电动工具。电动工具在未经培训的使用者手中是危险的。
- 5) 维护电动工具及其附件。检查运动部件是否调整到位或卡住，检查零件破损情况和影响电动工具运行的其他状况。如有损坏，应在使用前修理好电动工具。许多事故是由维护不良的电动工具引发的。
- 6) 保持切削刀具锋利和清洁。维护良好地有锋利切削刃的刀具不易卡住而且容易控制。
- 7) 按照使用说明书，并考虑作业条件和要进行的作业来选择电动工具、附件和工具的刀头等。将电动工具用于那些与其用途不符的操作可能会导致危险情况。
- 8) 保持手柄和握持表面干燥、清洁，不得沾有油脂。在意外的情况下，湿滑的手柄不能保证握持的安全和对工具的控制。

e) 电池式工具使用和注意事项：

- 1) 仅使用生产者规定的充电器充电。将适用于某种电池包的充电器用到其他电池包时可能会发生着火危险。
- 2) 仅使用配有专用电池包的电动工具。使用其他电池包可能会产生伤害和着火危险。
- 3) 当电池包不用时，将它远离其他金属物体，例如回形针、硬币、钥匙、钉子、螺钉或其他小金属物体，以防电池包一端与另一端连接。电池组端部短路会引起燃烧或着火。
- 4) 在滥用条件下，液体可能会从电池组中溅出，应避免接触。如果意外碰到液体，用水冲洗。如果液体碰到了眼睛，还要寻求医疗帮助。从电池中溅出的液体可能会发生腐蚀或燃烧。
- 5) 不要使用损坏或改装过的电池包或工具。损坏或改装过的电池组可能呈现无法预测的结果，导致着火、爆炸或伤害。
- 6) 不要将电池包暴露于火或高温中。电池包暴露于火或高于130°C的高温中可能导致爆炸。

f) 维修

- 1) 让专业维修人员使用相同的备件维修电动工具。这将保证所维修的电动工具的安全。
- 2) 决不能维修损坏的电池包。电池包仅能由生产者或其授权的维修服务商进行维修。

电钻专用警告语：

使用冲击电钻时要戴好耳罩。暴露在噪声中会引起听力损伤。

使用随工具提供的辅助手柄。操作失手会引起人身伤害。

当在钻削附件可能触及或暗线之处进行操作时，要通过绝缘握持面来握持工具。钻削附件碰到带电导线会使工具外露的金属零件带电从而使操作者受到电击。

使用长钻头的安全说明

- 切勿以高于钻头最大额定速度的速度运行。在较高的速度下，如果允许在不接触工件的情况下自由旋转，钻头可能会弯曲，从而导致人身伤害。

- **始终以低速进行钻孔，钻头尖端与工件保持接触。**在较高的速度下，如果允许在不接触工件的情况下自由旋转，钻头可能会弯曲，从而导致人身伤害。
- **仅在与钻头直接对齐时施加压力，并且不施加过大的压力。**钻头可能弯曲致破损或失控，从而导致人身伤害。

电钻/起子/电锤附加安全警告

- **使用夹具或采取其它可行的方法，将工件固定、支撑到稳定的平台上。**手持或用身体顶住工件都是不稳定的，会导致操作失控。
- **附件和工具可能会在使用过程中发热。**如果进行放热应用（如金属钻孔），处理时请佩戴手套。
- **通风口通常会盖住运动部件，应予以避免。**宽松衣服、佩饰或长发可能会卷入运动部件。
- **请佩戴安全护目镜或其他护目装备。**冲击或钻孔会导致碎片飞散。飞散的颗粒会对眼睛造成永久性伤害。
- **请勿长时间操作此工具。工具运行导致的振动可能会伤害您的手和手臂。**使用手套提供额外缓冲，经常停下休息，限制使用时间。

剩余风险

尽管遵守了相关的安全法规并采用了安全装备，某些剩余风险仍然是无法避免的。这些风险包括：

- 听力损伤。
- 飞溅颗粒造成的人身伤害风险。
- 使用时附件发热导致的灼伤风险。
- 长时间使用引起的人身伤害风险。

请妥善保管好这些说明

充电器

DeWALT 充电器无需做出任何调整，专为简易操作而设计。

电气安全

电机只适用一种工作电压。请务必检查电池组的电压是否和铭牌上的电压一致。另外，请确保充电器电压和主电源的电压一致。



DeWALT 充电器符合 IEC60335 双重绝缘要求，因此无需使用接地线。

若电源线损坏，必须交由 DeWALT 维修部门采用专门制备的电线进行更换。

使用延长线

除非绝对必要，否则请勿使用延长线。使用适合您的充电器输入功率的合格延长线（见**技术参数**）。最小的导线尺寸为 1 平方毫米；最大长度为 30 米。

使用电缆卷筒时，请务必拉出所有的电缆。

针对所有电池充电器的重要安全说明

请妥善保管好这些说明：本手册包含重要的兼容电池充电器安全和操作说明（请参阅**技术参数**）。

- 在使用充电器之前，请先阅读所有指示以及充电器、电池组和使用电池组的产品上的警示标记。



警告：触电危险。请勿让任何液体渗入充电器，否则会引起触电。



警告：我们建议使用漏电保护额定电流为 30 毫安或以下的漏电保护装置。



警告：灼伤危险。为降低人身伤害风险，请仅使用 DeWALT 充电式电池充电。使用其它类型的电池可能会引起爆裂，并导致人身伤害和损害。



警告：应看管好儿童，以确保他们不将此设备当做玩具来玩。

注意：在某些情况下，当充电器的插头插入电源插座时，充电器内部裸露的充电接触点可能因为外来物件而短路。请勿让能导电的异物靠近充电器腔，这些外来物件包括但不限于钢棉、铝箔或任何金属颗粒的堆积物。充电器内没有电池组时，请断开充电器与电源的连接。清洗前，务必拔掉充电器。

- **请勿试图使用本手册指定的充电器以外的其他任何充电器为电池组充电。**充电器和电池组都是专门设计的，互相配合使用。
- **除了为 DeWALT 充电式电池充电以外，这些充电器并非设计用于其他用途。**否则，可能会导致火灾、触电或电击。
- **请勿将充电器暴露于雨中或雪中。**
- **断开充电器连接时，应拔下插头，切勿拉拽电源线。**这将降低对插头和电线的损害风险。
- **确保电源线布置在不易踩踏、踢绊、拉扯或会受到损害或压力的位置。**
- **除非绝对必要，否则请勿使用延长线。**使用不正确的延长线可能导致火灾、触电或电击的风险。
- **请勿将任何物件放在充电器上面，或是把充电器放在可能会堵住通风槽的柔软表面，导致充电器的内部过热。**请把充电器放置在远离任何热源的地方。充电器通过外壳顶端和底端的槽进行通风。
- **禁止使用电源线或插头已损坏的充电器。**请立即更换这些充电器。
- **如果充电器受到强烈冲击、掉落或出现其他损坏情况，请勿使用充电器。**请将损坏的充电器送到授权服务中心。
- **请勿自行拆卸充电器。请将需要检修或修理的充电器送到授权服务中心。**重装不正确可能导致触电、电击或火灾风险。
- **必须立即将已损坏的电源线交由制造商、服务代理或类似的合格人员进行更换以防止安全隐患。**
- **清洁前，请先断开充电器和插座的连接，以降低触电风险。**取出电池组不会降低此风险。
- **切勿**将两个充电器连接在一起。
- **充电器是为 220-240 V 的标准家用电源而设计。请勿试图在任何其他电压下使用充电器。**此规则不适用于车载充电器。

为电池充电 (图 B)

1. 放进电池组前，先将充电器的插头插到相应的电源插座上。
2. 将电池组 1 插入到充电器中，确定电池组完全就位。红色（充电中）指示灯将不断闪烁，表示充电过程已经开始。
3. 红色灯持续亮起表示充电完成。此时电池组已完全充电，您可以使用电池组或将电池组留在充电器上。要从充电器上取下电池组，请按下电池组上的电池释放按钮 2。

注：为了确保锂离子电池的效能和使用寿命最大化，在首次使用电池组之前必须将其完全充电。

充电器操作

关于电池组的充电状态，请参阅以下指示灯说明。

充电状态指示灯



充电中



充电状态指示灯



*红色指示灯会继续闪烁，但黄色指示灯在本次操作过程中会亮起。电池组达到适当温度后，黄色指示灯会熄灭，充电器将恢复充电程序。

此兼容充电器不能为故障的电池组充电。充电器指示灯不亮时表示电池有故障。

注：这也可能意味着充电器有故障。

如果充电器提示存在故障，请将充电器和电池组送到授权的维修中心进行测试。

热/冷电池组延迟

当充电器检测到电池组过热或过冷时，它会启动热/冷电池延迟模式，暂停充电，直到电池组达到适当的温度。然后，充电器会自动切换到电池组充电模式。此功能可确保电池组拥有最长的使用寿命。

冷电池组充电速度比热电池组充电速度慢。电池组在整个充电周期的充电速度都会较慢，即使电池组升温也不会恢复到最大速度。

DCB118 充电器配备专用于冷却电池组的内部风扇。电池组需要冷却时，风扇会自动启动。如果风扇运转不正常或通风槽堵塞，切勿操作充电器。请勿让异物进入充电器内部。

电子保护系统

XR 锂离子电池工具具有电子保护系统设计，可保护电池组免受过载、过热或过度放电之害。

如果电子保护系统处于运作状态，该工具将自动停止操作。如果发生这种情况，请将锂离子电池组放在充电器上，直至其完全充电。

壁挂式安装

这些充电器设计为可以安装在墙上，也可以直立在桌面或工作台上。如果安装在墙上，请确保充电器的位置可以连接到电源插座，并且远离墙角或其他可能妨碍空气流通的障碍物。将充电器背面作为在墙上安装螺丝的位置模板。使用至少 25.4 毫米长、螺丝帽直径至少 7.9 毫米的石膏板螺丝（单独购买）牢牢固定充电器，将螺丝最大限度打入木材，预留约 5.5 毫米露在墙外。将充电器背面的安装槽对准露出的螺丝，完全放置到位。

充电器清洁说明

警告：触电危险。清洁前，请将充电器从交流电源插座上拔出。可用布或非金属软刷清除充电器外部的污垢和油脂。请勿使用水或任何清洁剂。切勿让任何液体渗入工具，切勿让工具的任何部件浸在液体中。

电池组

针对所有电池组的重要安全说明

在订购更换电池组时，请务必附上目录型号和电压。

包装箱内的电池组并未完全充电。使用电池组和充电器之前，请阅读下列安全指示，然后遵循所述的充电程序。

请阅读所有说明

- 请勿在易爆环境，如有易燃液体、气体或粉尘的环境中充电或使用电池。在充电器中插入或取出电池时可能会点燃粉尘或气体。
- 切勿强行将电池放进充电器。请勿以任何方式改装电池组以在不相容的充电器中使用，否则电池组可能会破裂，导致严重人身伤害。
- 只使用 DEWALT 充电器为电池组充电。
- 请勿喷溅电池组或将其浸泡在水或其他液体中。
- 请勿在温度可能达到或超过 40°C (104°F) 的地方（如夏天户外的棚子或金属建筑物中）存储或使用工具和电池组。
- 即使电池组严重受损或完全损坏，也请勿焚化电池组。电池组在火中会发生爆炸。锂离子电池组在燃烧时会释放有毒烟雾和物质。
- 如果电池液体接触到皮肤，请立即以中性肥皂和清水冲洗接触的地方。如果电池液体不慎进入眼睛，应睁开眼睛并用清水冲洗至少 15 分钟或直到刺激感消失。如果需要医疗救助，请告知医护人员。电池电解质由液状有机酸盐和锂盐的混合物组成。
- 已打开电池的**内部物质可能导致呼吸道刺激**。请保持空气流通。如果症状持续存在，请就医。



警告：灼伤危险。电池液如果接触到火花或火焰可能会燃烧。



警告：切勿以任何理由试图打开电池组。电池组外壳破裂或损坏时，请勿将电池组插入充电器。请勿挤压、掉落或损坏电池组。请勿使用受过强烈重击、掉落、碾压或以任何其它方式（如被钉子穿破、受到锤子的重击、踩踏）受损的电池组或充电器。否则可能会引起触电或电击。损坏的电池组应送回维修中心进行回收。



警告：火灾危险。请勿在存储或搬运电池组时让金属物品接触暴露的电池两极。例如，请勿将电池组放在围裙、口袋、工具箱、产品套件盒、抽屉等可能与散钉、螺丝、钥匙等物品接触的地方。



警告：不用时，将工具侧放在平稳的表面上，确保不会有踢绊或掉落的危险。一些具有大型电池组的工具可以直立但可能会轻易被撞倒。

运输



警告：火灾危险。电池运输途中，如果电池两极意外接触导电材料，可能会引发火灾。运输电池时，务必保护电池两极，确保与可能接触电池导致短路的材料良好绝缘。
注：锂离子电池不应放在托运行李中。

DEWALT 电池符合所有适用的行业和法律标准规定的运输规范，包括《联合国危险品运输建议规章范本》(UN Recommendations on the Transport of Dangerous Goods)、《国际航空运输协会 (IATA) 危险品规则》(International Air Transport Association (IATA) Dangerous Goods Regulations)、《国际海运危险品 (IMDG) 规则》(International Maritime Dangerous Goods (IMDG) Regulations) 和《欧洲危险货物国际公路运输协定》(European Agreement Concerning The International Carriage of Dangerous Goods by Road) (ADR)。锂离子电池和电池组已遵循《联合国危险品运输建议规章范本手册》第 38.3 节关于测试和标准的说明通过测试。

大多数情况下，发运 DEWALT 电池组不属于完全管制的 9 类危险品。通常情况下，只有当运输包含一个能量等级大于 100 瓦时 (Wh) 的锂离子电池时，才需要作为完全管制的 9 类危险品发运。所有锂离子电池外壳上均标注有瓦时等级。此外，由于法规比较复杂，无论瓦时等级是多少，DEWALT 都不建议单独空运锂离子电池组。发运包含

电池的工具(组合套件)时,如果电池组的额定能量不大于 100 瓦时(Wh),则可以空运。

无论发运是否纳入完全管制范围内,运输公司均有责任遵循最新法规中关于包装、标签/标记和单据的要求。

本手册本节的信息是出于善意提供,且认为在编制文档时准确无误。但是不提供明示或暗示的担保。购买方负有确保其行为遵守适用法规的责任。

运输 FLEXVOLT™ 电池

DEWALT FLEXVOLT™ 电池有两种模式:**使用**和**运输**。

使用模式:当 FLEXVOLT™ 电池单独使用或用于 DEWALT 18 伏(20V Max)产品时,将作为 18 伏(20V Max)电池操作。当 FLEXVOLT™ 电池用于 54 伏(60V Max)或 108 伏(120V Max)(两个 54 伏(60V Max)电池)的产品时,将作为 54 伏(60V Max)电池进行操作。

运输模式:当电池盖连接到 FLEXVOLT™ 电池时,电池会进入运输模式。保留电池盖用于运输。

处于运输模式时,电池组内部的电池芯会处于断电状态,使 3 个低瓦时(Wh)等级的电池相当于 1 个高瓦时等级电池。这样,增加 3 个低瓦时等级的电池可以使电池组不必遵守适用于更高瓦时电池的运输法规。

例如,若运输额定瓦时为

3 x 36 瓦时,则表示 3 个 36 瓦时的电池。使用瓦时额定值可能是 108 瓦时(表示 1 个电池)。



使用和运输标签标记示例

Use: 108 Wh
Transport: 3x36 Wh

存放建议

- 最好将电池存放在阴凉、干燥、远离阳光直射、不会过热或过冷的地方。为了获得最佳的电池性能和使用寿命,请您在不使用电池组时将其存储在室温下。
- 长期存储时,建议将完全充电的电池组从充电器取出,存储在阴凉、干燥的地方,以达到最佳效果。

注:电池组不应在电池已完全耗尽的状态下存放。使用电池组之前,必须重新为电池组充电。

充电器和电池组上的标签

除了在本手册中所使用的标志,充电器和电池组的标签还包括:



使用前请阅读使用手册。



要了解充电时间,请参阅**技术参数**。



请勿使用导电物体戳刺。



请勿对损坏的电池组充电。



请勿将其暴露于水中。



应立即更换有缺陷的电线。



请只在 4°C 和 40°C 之间的温度下充电。



只能在室内使用。



LI-ION

弃置电池组时,请妥善处理以保护我们的环境。



DCBXXX

只使用指定的 DEWALT 充电器为 DEWALT 电池组充电。使用 DEWALT 充电器为非 DEWALT 电池充电可能会导致电池爆炸或出现其他危险情况。



请勿焚化电池组。



使用(无电池盖)。示例:瓦时额定值为 108 瓦时(1 个 108 瓦时的电池)。



运输(有内置运输盖)。示例:瓦时额定值为 3 x 36 瓦时(3 个 36 瓦时的电池)。

电池类型

DCD708/DCD709 使用 18 伏特(20V Max)电池组。

这些电池组可用于: DCB181、DCB182、DCB183、DCB184、DCB185、DCB187、DCB189、DCB203、DCB204、DCB205、DCB546、DCB547、DCB548、DCB606、DCB609、DCB612、DCBP034。更多信息,请参阅**技术参数**。

包装内的物品

包装内的物品包括:

- 1 只 电钻/起子(DCD708)或电锤(DCD709)
- 1 只 充电器
- 1 只 皮带扣(部分型号内自带)
- 1 只 磁力钻头夹持器(部分型号内自带)
- 1 只 锂离子电池组(C1、D1、E1、L1、M1、P1、S1、T1、X1、Y1 型号)
- 2 只 锂离子电池组(C2、D2、E2、L2、M2、P2、S2、T2、X2、Y2 型号)
- 3 只 锂离子电池组(C3、D3、E3、L3、M3、P3、S3、T3、X3、Y3 型号)
- 1 本 说明手册
- 检查工具、部件或附件是否在运输过程中损坏。
- 操作前,请抽空仔细阅读并掌握**本手册**。

工具上的标记

工具上印有列图形:



使用前请阅读使用手册。



请佩戴听力保护器。



请佩戴护目装备。



可见辐射。切勿直视激光束。

日期码位置 (图 A)

日期码 **14** 印在工具外壳上，其中还包含制造年份。

示例:

2022 XX XX

制造年份

说明 (图 A)



警告: 切勿改装电动工具或其任何部件，否则可能会导致损坏或人身伤害。

- 1 电池组
- 2 电池组释放按钮
- 3 主手柄
- 4 变速触发开关
- 5 正/反转控制按钮
- 6 模式选择环
- 7 转速选择器
- 8 工作灯
- 9 夹头套管
- 10 无锁匙夹头
- 11 皮带扣 (部分型号内自带)
- 12 螺丝
- 13 磁力钻头夹持器 (部分型号内自带)
- 14 日期代码

设计用途

这些电钻/起子/冲击钻设计用于专业钻孔、冲击钻孔和螺丝安装。

请勿在潮湿环境中或在易燃液体或气体存在的环境中使用本工具。这些电钻/起子/冲击钻是专业型电动工具。

请勿让儿童接触本工具。缺乏经验的操作员需要在监督下使用本工具。

- **儿童和体弱者。**在没有他人监督的情况下，儿童或体弱者不适宜使用本产品。
- 本产品不适合体力、感官或智力不足以及缺乏经验、知识或技能的人员 (包括儿童) 使用，除非一旁有能为他们的安全负责的监督人员。不得在无人监管的情况下让儿童接触本产品。

组装与调整



警告: 为降低严重的人身伤害风险，在进行任何调整或取出/安装附加装置或附件之前，请关闭装置并取下电池组。意外启动可能会导致人身伤害。



警告: 请只使用 DeWALT 电池组和充电器。

插入或取出工具上的电池组 (图 B)

注: 请确保您的电池组 **1** 已完全充电。

将电池组安装到工具手柄中

1. 将电池组 **1** 对齐工具手柄内的轨道 (图 B)。
2. 将电池组滑入手柄内，使其牢牢地固定在工具内，并确保您听到其锁定到位的声音。

从工具中取出电池组

1. 按下释放按钮 **2**，将电池组从工具手柄中稳妥地拉出。
2. 按本手册充电器部分所述将电池组插入充电器中。

电池组电量计 (图 B)

一些 DeWALT 电池组带有一个包含三个绿色 LED 指示灯的电量计，用于指示电池组内的剩余电量。

按下电量计按钮不松开，即可启动电量计。三个绿色 LED 指示灯将以组合方式亮起，以指示剩余电量。当电池内的电量低于可用限制时，电量计将不会亮起，电池将需要重新充电。

注: 电量计仅指示电池组的剩余电量。它并不表示该工具的功能，且将根据产品组件、温度和最终用户的使用情况而有所不同。

皮带扣和磁力钻头夹具 (图 A) (可选配件)



警告: 为降低严重的人身伤害风险，请不要将工具悬挂在头顶上方或用皮带扣悬挂物品。只能使用工作皮带悬挂工具的皮带扣。



警告: 为了降低严重人身伤害的危险，请确保固定皮带扣子的螺丝是牢固的。

重要信息: 安装或更换皮带扣或磁力钻头夹持器时，只使用提供的螺丝。务必拧紧螺丝。

可使用提供的螺丝 **12** 将皮带扣 **11** 和磁力钻头夹持器 **13** 装到工具的任意一侧，以方便习惯左手操作或习惯右手操作的用户使用。如果不需要使用皮带扣或磁力钻头夹持器，则可将其从工具上拆除。若要拆除皮带扣或磁力钻头夹持器，请取下固定它们的螺丝 **12**，然后在另一边重新装上。务必拧紧螺丝。

将钻头或附件安装到无锁匙夹头中 (图 D)



警告: 不要尝试通过握住夹头前端和打开工具来拧紧钻头 (或任何其它配件)。这可能会导致夹头受损和人身伤害。更换配件时，请始终锁定触发开关并断开工具的电源连接。



警告: 启动工具之前应确保钻头安装稳固。松动的钻头可能会从工具脱落，从而可能导致人身伤害。

您的工具备有无锁匙夹头 **10**，带有一个旋转套管 **9**，便于单手操作夹头。如果要插入钻头或其他配件，请执行下列步骤。

1. 关闭电源并取下电池组。
2. 用一只手抓住夹头的黑色套管，用另一只手固定工具。逆时针旋转套管以插入所需的配件。
3. 将附件插入夹头约 19 毫米，然后用一只手顺时针旋转夹头，另一只手则握住工具，将附件转紧。您的工具配备一个自动主轴锁装置。凭借此装置，您只需一只手即可打开和关闭夹头。

请确保在拧紧夹头时用一只手握住夹头套管，用另一只手握住工具，以获得最大的紧密性。

若要松开附件，请重复上述步骤 1 和 2。

转速选择 (图 A)

该工具有两种速度设置，可用于不同作业场景。

注: 工具运行时切勿更改速度。在更改速度之前，务必等待工具完全停止。

1. 若要选择速度 1 (高扭矩设置)，请关闭工具并让它停止转动。向后滑动转速选择器 **7** (远离夹头)。

2. 若要选择速度 2 (高速设置), 请关闭工具并让它停止转动。向前滑动转速选择器 7 (滑向夹头)。

如果工具没有改变速度, 请确认转速选择开关完全啮合在前进或后退位置。

模式选择 (图 A)

模式选择环 6 可根据预定用途以选择正确的操作模式。

如需选择, 请旋转轴环, 直到所需的标识与箭头对齐。

标识	模式
	钻孔
1-15	螺丝安装 (数字越大=扭矩越大)
	锤钻 (仅适用于 DC0709 型号)

变速触发开关及正/反转控制按钮 (图 A, E)

电钻通过按下和松开变速触发开关 4 开启和关闭。触发开关按得越深, 钻孔速度就越快。您的工具配备制动器。触发开关完全松开时夹头将停止运作。

正/反转控制按钮 5 可确定工具旋转方向, 并可作为锁定按钮使用。

- 若要选正向旋转, 请松开触发开关, 然后按下工具右侧的正/反转控制按钮。
- 如果要选择反向旋转, 请按下工具左侧的正/反转控制按钮。

注: 控制按钮的中心位置会将工具锁定在关闭状态。改变控制按钮的位置时, 确保触发开关处于松开状态。

注: 不建议在变速范围内连续使用工具, 否则可能会损坏开关, 因此应尽量避免。

注: 改变旋转方向后第一次运行工具时, 您可能会在启动时听到“咔哒声”。这是正常现象, 并不表示出现问题。

操作

使用说明

警告: 务必遵守安全指示和适用法规。

警告: 为降低严重的人身伤害风险, 在进行任何调整或取出/安装附加装置或附件之前, 请关闭装置并取下电池组。意外启动可能会导致人身伤害。

正确的手持方式 (图 C)

警告: 为降低严重的人身伤害风险, 请务必使用正确的手持方式, 如图所示。

警告: 为降低严重的人身伤害风险, 请务必紧握工具以防止出现突然的反作用力。

正确的手持方式要求一只手握住主手柄 3, 另一只手则握住电池组。

工作灯 (图 A)

工作灯 8 位于工具的底座上。工作灯将在按压触发开关时启动。松开触发开关后, 工作灯将在照明状态保持 20 秒。

注: 工作灯用于照亮紧邻的工作表面, 不能当做手电筒使用。

执行应用 (图 A、D)

警告: 为降低人身伤害风险, 请务必确保牢固锚定或夹紧工件。

警告: 在改变旋转方向之前, 请务必等到电动机完全停止。

使用前的准备工作:

- 设置转速选择器 7。请参见 **转速选择**。
- 将适当的钻头或附件安装到夹头中。请参见 **将钻头或附件安装到无锁匙夹头中**。

警告:

- 切勿使用本工具混合或搅动易燃或易爆液体 (汽油、酒精等)。
- 切勿混合或搅拌具有易燃标签的液体。

螺丝安装

您的工具有可调节扭矩的离合器, 以用于拧螺丝和取出各种类型和大小的紧固件。模式选择环 6 上的数字用于设定螺丝安装的扭矩范围。轴环上的编号越大, 扭矩越高, 并且可安装的紧固件也越大。

- 将模式选择环 6 转至所需位置。请参见 **模式选择**。
- 拉动触发开关, 使其与钻头成直线, 直到紧固件位于工件所需的深度。

螺丝安装建议

- 务必始终先从较低的扭矩设置开始, 然后再使用较高的扭矩设置以避免损坏工件或紧固件。
- 在工件较小或隐蔽区域进行一些实际运行以确定模式选择环的正确位置。

钻孔

- 将模式选择环 6 转至电钻符号。请参见 **模式选择**。
- 将钻头放置在与工件接触的位置。
注: 请仅使用锋利的钻头。
- 拉动触发开关以使其与钻头成直线, 直到其位于工件所需的深度。

警告: 如果过载, 电钻可能会失速, 从而导致突然扭转。务必预计是否会发生失速。紧握电钻以控制扭转动作, 避免伤害。

- 从成孔中拉出钻头时, 请保持马达运转, 以避免堵塞。

钻孔建议

- 钻孔时, 请始终以钻头沿直线施加压力, 但不要大到电机失速或钻头倾斜。
- 如果钻头失速:**
 - 请立即松开触发开关, 从工件上退出钻头, 查找失速的原因。
 - 请勿试图通过按下、松开触发开关来启动失速的电钻 - 这会损坏电钻。
 - 为尽量减少失速故障或避免钻头在材料中折断, 请降低对电钻的压力, 使钻头从孔的最后部分中缓和下来。
- 在钢材上钻大孔 (7.9 毫米至 12.7 毫米) 时, 如果首先钻一个先导孔 (4 毫米至 4.8 毫米), 会比较容易进行。
- 如果在较薄或容易破裂的材料上钻孔, 请使用“垫板”以防止损坏工件。

锤钻

警告: 请佩戴适当的呼吸保护装置。使用专为该工具而设计的真空或灰尘收集系统以收集残留灰尘。

仅适用于 DCD709 型号

重要信息: 请使用仅适用于冲击钻孔的硬质合金钻头或砖石钻头。

1. 使用转速选择器 ⑦ 选择所需的速度/扭矩范围以满足操作计划的速度和扭矩要求。将模式选择环 ⑥ 转至电锤符号。
2. 对锤子施加足够的压力，以防止过度反弹或“脱离”钻头。

电锤钻使用建议

- 过多压力将导致较慢的钻孔速度、过热和较低的钻孔率。
- 如果钻屑平滑、均匀地流出，则表明钻孔速度适当。
- 直线钻孔，保持钻头与工件成直角。钻孔时不要在钻头上施加侧压力，这将导致钻头凹槽阻塞和钻孔速度变慢。
- 钻深孔时，如果锤子速度开始减慢，在工具仍运行的情况下，从孔中拔出部分钻头以帮助清理钻屑。

维护

您的 DeWALT 电动工具设计精良，可以长期使用，仅需极少维护。要持续获得令人满意的工作效果，需要进行合适的工具维护和定期清洁。



警告: 为降低严重的人身伤害风险，在进行任何调整或取出/安装附加装置或附件之前，请关闭装置并取下电池组。
意外启动可能会导致人身伤害。

充电器和电池组无法维修。



润滑

本电动工具无需另行润滑。



清洁



警告: 一旦看到通风口及其周围积聚了尘屑，请用干燥的空气将灰尘和尘屑从主机外壳内吹出。执行此过程时，需戴上经认可的护目装备和防尘面具。



警告: 切勿使用溶剂或其他刺激性化学制品来清洁工具的非金属部件。这些化学物质可能会削弱这些部位使用的材料。请用布蘸温和的肥皂水擦拭。切勿让任何液体渗入工具，切勿让工具的任何部件浸在液体中。

可选配件



警告: 由于非 DeWALT 供应的配件未经本产品匹配测试，将此类配件用于本工具可能造成伤害。为降低人身伤害风险，本产品只可使用 DeWALT 推荐的附件。

请向您的经销商咨询更多关于合适附件的信息。

保护环境



分类回收。由此符号标记的产品和电池不得与普通家庭垃圾一起处理。

产品和电池包含可恢复或回收的材料，从而降低对原材料的需求。请根据当地供给回收电子产品和电池。要获得更多信息，请参看 www.2helpu.com。

充电式电池组

本电池组使用寿命长，不能提供顺利完成工作所需的电力时，必须进行充电。电池技术寿命结束时，请妥善处理以保护环境：

- 耗尽电池组的电力，然后从工具上拆下。
- 锂离子电池是可回收的。请将它们送往您的经销商处或当地的回收站。回收的电池组将被妥善循环使用或处理。

制造商:百得德国公司

地址:Black & Decker Str. 40 65510 Idstein, 德国

产地:江苏苏州

产品中有害物质的名称及含量

部件名称	有害物质					
	铅 (Pb)	汞 (Hg)	镉 (Cd)	六价铬 (Cr(VI))	多溴联苯 (PBB)	多溴二苯 醚 (PBDE)
马达组件	O	O	O	O	O	O
机壳组件	O	O	O	O	O	O
控制部件（开关， PCB 等	X	O	O	O	O	O
传动部件	O	O	O	O	O	O
电池包	X	O	O	O	O	O
充电器	X	O	O	O	O	O
附件（钻头/砂轮片 等）	O	O	O	O	O	O
电线组件	X	O	O	O	O	O

本表格依据 SJ/T 11364 的规定编制。

O：标识该有害物质在该部位所有均质材料中的含量均在 GB/T 26572 规定的限量要求以下。

X：标识该有害物质至少在该部位的某一均质材料中的含量超出 GB/T 26572 规定的限量要求

备注：本产品不必包含以上所述的所有部件。由于生产工艺和技术的不可替代性，本产品中含有某些有害物质，在环保使用期限内可以放心使用，超过环保使用期限之后则应进入回收循环系统。

环保使用期限为“电子电气产品中含有的有害物质不会发生外泄或突变，电子电气产品用户正常使用该电子电气产品不会对环境造成严重污染或对其人身、财产造成严重损害的期限”。



：环保使用期限为 20 年。此环保使用期限不代表产品的安全使用期限和质量保证年限。

13 公釐無碳刷電鑽調扭起子機/震動電鑽調扭起子機

DCD708、DCD709

恭喜！

感謝您選購 DEWALT 工具。憑藉多年的經驗、完善的產品開發與創新，DEWALT 已成為專業電動工具使用者最可靠的合作夥伴之一。台灣上市之得偉產品規格、技術資料、訊息，以繁體中文說明為主。

技術資料

		DCD708	DCD709
電壓	伏特 _{直流}	18 (最大 20)	18 (最大 20)
電池類型		鋰離子	鋰離子
功率輸出	瓦特	340	340
空載轉速			
1 檔	轉/分	0-450	0-450
2 檔	轉/分	0-1650	0-1650
每分鐘衝擊次數			
1 檔		-	0-7650
2 檔		-	0-28050
最大扭矩 (硬/軟)	Nm	65/26	65/26
夾頭尺寸	公釐	1.5-13	1.5-13
最大鑽孔尺寸			
木材	公釐	30	30
金屬	公釐	13	13
石材	公釐	-	13
重量 (不包括電池組)	千克	1.10	1.20

本資訊表中所列出的震動發射標準是依據 IEC60335 提供的標準測試測量，並且可用於工具間的比較。它可用於震動接觸的初步評估。
注意：20V Max 為最大初始電池電壓(無負載測量)，標稱電壓為18V。
60V Max 為最大初始電池電壓(無負載測量)，標稱電壓為54V。



警告：我們所公佈的震動發射標準代表著本工具的主要應用。但是，如果將本工具用於其他應用、為其使用不同的配件或維護不當，則震動發射值可能會不同。這可能會大幅度提高總工作時間內的接觸程度。

也應考慮到在工具電源已經關閉、或工具正在運動但實際上並未工作時，其震動的接觸程度。這可能會大幅度降低總工作時間內的接觸程度。

確定額外的安全措施以保護操作員免受震動影響，例如：維護工具和配件、雙手保持溫暖、組織工作模式。



警告：為了降低受傷的風險，必須仔細閱讀使用手冊。

定義：安全指南

以下定義描述了每一個詞彙的嚴重程度。請閱讀本手冊並注意這些符號。



危險：表示緊急危險狀況，若未能避免，**將導致死亡或嚴重傷害**。



警告：表示潛在危險情況，若未能避免，**可能導致死亡或嚴重傷害**。



小心：表示潛在危險情況，若未能避免，**可能導致輕微或中度傷害**。

注意：表示一種**非人身傷害**的行為，若未能避免，**可能導致財產損失**。



表示觸電危險。



表示火災危險。

電池				充電器/充電時間 (分鐘)				
目錄號	伏特 _{直流}	安時	重量(kg)	DCB107	DCB112	DCB115	DCB118	DCB1112
DCB606	18/54 (20/60 Max)	6.0/2.0	1.05	270	170	90	60	40
DCB609	18/54 (20/60 Max)	9.0/3.0	1.46	420	270	135*	75*	60
DDBC612	18/54 (20/60 Max)	12.0/4.0	1.44	540	350	180	120	80
DCB181	18 (20 Max)	1.5	0.35	70	45	22	22	22
DCB204	18 (20 Max)	4.0	0.61	185	120	60	60/40**	60/40**
DCB203	18 (20 Max)	2.0	0.40	90	60	30	30	30
DCB205	18 (20 Max)	5.0	0.62	240	150	75	75/50**	75/50**
DCB185	18 (20 Max)	1.3	0.35	60	40	22	22	22
DCB187	18 (20 Max)	3.0	0.54	140	90	45	45	45
DCB240	18 (20 Max)	4.0	0.54	185	120	60	60	60
DCBP034	18 (20 Max)	1.7	0.32	82	50	27	27	27

*日期碼 201811475B 或以後

**日期碼 201536 或以後

20V Max為最大初始電壓(無負載電壓)，標稱電壓為18V。60V Max為最大初始電壓(無負載電壓)，標稱電壓為54V。

電動工具一般安全警告



警告：請閱讀本電動工具隨附的所有安全警告、指示、圖示和規格。不遵循下列的所有指示可能會導致觸電、火災及/或嚴重傷害。

請妥善保存所有警告及指示以備將來查閱。

警告中的名詞「電動工具」是指電源驅動（插電）電動工具，或者電池驅動（充電）電動工具。

1) 工作場地安全

- 請保持工作場地清潔明亮。雜亂或黑暗的場地會引發事故。
- 不要在易爆環境，如有易燃液體、氣體或塵埃的環境中操作電動工具。電動工具產生的火花可能會引燃粉塵或煙霧。
- 請等待兒童和旁觀者離開之後才操縱電動工具。分心會導致您疏於控制。

2) 電氣安全

- 電動工具插頭必須與插座相符。切勿以任何方式改裝插頭。需接地的電動工具不能使用任何配接器插頭。未經改裝的插頭和相符的插座可以減少觸電危險。
- 避免人體接觸接地表面，如管道、散熱片、爐灶和冰箱。若您的身體接地，會增加觸電危險。
- 不得將電動工具暴露在雨中或潮濕環境中。水進入電動工具會增加觸電危險。
- 請勿濫用電線。請勿使用電線來搬運、拉動電動工具或拔出插頭。讓電線遠離熱、油、銳邊和活動部件。受損或纏繞的電線會增加觸電危險。
- 若要在戶外使用電動工具，請使用適合戶外使用的延長電線。使用適合戶外使用的電線可減少觸電危險。
- 若必須在潮濕場合使用電動工具，請使用漏電保護器 (RCD)。使用 RCD 可降低觸電風險。

3) 人身安全

- 保持警覺；在操作電動工具時，請留意所執行的操作並按照一般的常識執行。請勿在疲倦，或受到藥物、酒精或治療的影響下操作電動工具。操作電動工具期間注意力分散會導致嚴重人身傷害。
- 使用個人防護裝置。始終佩戴護目裝置。防護設備（例如在適當條件下使用的防護面具、防滑安全鞋、安全帽或聽力保護裝置）可減少人身傷害。
- 避免意外啟動。在連接至電源及/或電池組、拾起或搬運工具之前，請確保開關處於關閉位置。若搬運電動工具時將手指放在開關上，或者在電動工具開關開啟時將插頭插入電源插座，這兩種行為都會引發事故。
- 啟動電動工具之前，請卸下所有的調整鑰匙或扳手。遺留在電動工具旋轉部件上的扳手或鑰匙會導致人身傷害。
- 不要過度伸張雙手。時刻注意腳下與身體的平衡。如此即可在發生意外的情況下更好地控制電動工具。
- 適當穿著。請勿穿寬鬆衣服或佩戴飾品。讓頭髮、衣服和手套遠離活動部件。寬鬆衣服、佩飾或長髮可能會捲入活動部件中。
- 若配備用於連接排屑裝置、集塵設備的裝置，請確定正確連接和使用這些裝置。使用集塵設備可減少與粉塵有關的危險。
- 請勿因頻繁使用而對工具特別熟悉，讓你變得自滿而忽略工具的安全原則。粗心操作可以在片刻間造成嚴重傷害。

4) 電動工具的使用與注意事項

- 請勿超負荷使用電動工具。請根據您的應用使用正確的電動工具。若使用的電動工具正確無誤，該工具能以設計額定值更有效、更安全地執行工作。
- 若開關不能開啟或關閉電源，請勿使用該電動工具。若開關無法控制電動工具，則電動工具存在危險，必須予以維修。
- 在執行任何調整、更換配件或儲存電動工具之前，必須從電源上拔掉插頭及/或電池組（若可卸下）。這類防護性措施可降低電動工具意外啟動的風險。
- 將閒置的電動工具儲存在兒童無法接觸的地方，並且不要讓不熟悉電動工具或對這些使用指示不瞭解的人員操作電動工具。未經訓練的使用者操作電動工具會發生危險。
- 維護工具與配件。檢查活動部件是否對準或卡住、破損情況以及是否存在影響電動工具運行的其他情況。若有損毀，必須在使用之前修理電動工具。許多事故都是由於電動工具欠缺維護所導致。
- 保持刀具鋒利和清潔。妥善維護的帶利刃的切削工具不會輕易卡住並可更輕鬆控制。
- 在使用電動工具、配件及刀頭等部件時，請遵循上述指示，並將工作條件與要執行的工作考慮在內。不按照設計目的使用電動工具會導致危險。
- 把手和抓握表面都應保持乾燥、清潔及遠離油脂。光滑手柄和抓握表面不便在意外情況下對工具進行安全處理與控制。

5) 電池工具的使用與注意事項

- 只能使用製造廠商指定的充電器為電池充電。使用僅適合一種電池組的充電器為其他類型的電池組充電會導致火災危險。
- 請使用原廠的電動工具電池組。使用其他非原廠的電池組會導致人身傷害及火災風險。
- 不使用電池組時，請將其遠離如迴紋針、硬幣、鑰匙、釘子、螺絲以及其他可連通電池兩極的金屬物品。將電池兩極短路會導致灼傷或火災。
- 濫用電池的情況下，液體會從電池中噴出，因此請避免與液體接觸。若不小心接觸液體，請用清水沖洗。若液體噴濺到眼睛上，沖洗之後還要進行治療。從電池噴出的液體會刺激皮膚或造成灼傷。
- 請勿使用已經損壞或改動的電池組或工具。損壞或改動的電池可能表現出不可預計的行為，導致火災、爆炸或傷害風險。
- 請勿讓電池組或工具暴露於火中或過高溫度的環境中。暴露於火中或溫度超過 130°C 的環境中可能導致爆炸。
- 請遵循所有充電說明，請勿在說明中規定的溫度範圍以外的環境對電池組或工具充電。不當或在指定範圍以外的溫度下充電，可能導致電池損壞並增加火災風險。

6) 檢修

- 本電動工具必須由合格的維修人員並只採用相同的原廠零件來執行檢修。這將確保電動工具的安全性。
- 切勿維修損毀的電池組。電池組的維修僅應由製造商或授權服務提供商執行。

長鑽頭之附加安全指示

- 切勿以高於鑽頭最大額定速度的速度運行。在較高的速度下，如果鑽頭在不接觸工件的情況下自由旋轉，則可能會彎曲，進而導致人身傷害。
- 務必以低速開始鑽孔，並確保鑽頭與工件保持接觸。在較高的速度下，如果鑽頭在不接觸工件的情況下自由旋轉，則可能會彎曲，進而導致人身傷害。
- 始終以與鑽頭方向成一直線的方式施加壓力，並且不要施加過大的壓力。鑽頭彎曲可以導致工具破損或失控，進而導致人身傷害。

電鑽調扭起子機/震動電鑽調扭起子機的附加安全警告

- 使用夾具或採取其他可行的方法，將工件固定、支撐到穩定的平台上。手持或用身體頂住工件都是不穩定的，並會導致操作失控。
- 配件和工具會在作業過程中變熱。若進行放熱應用（如金屬鑽孔），處理時請佩戴手套。
- 通風口通常會蓋住活動部件，應予以避免。寬鬆衣服、佩飾或長髮可能會捲入活動部件。
- 請佩戴護目鏡或其他護目裝備。錘擊和鑽孔會引致碎片飛散。飛散的顆粒可以對眼睛造成永久傷害。
- 請在使用震動電鑽時佩戴聽力保護器。噪音會使聽力受損。
- 請使用工具隨附的輔助手柄。工具失控會導致人身傷害。
- 若在執行操作時切削配件可能會接觸隱藏的電線，請從絕緣手柄表面握住電動工具。若切削配件接觸到「帶電」導線，電動工具金屬部件表面就會「帶電」，從而導致操作人員觸電。
- 切勿長時間操作此工具。工具產生的震動可能令您的雙手和手臂受傷。請佩戴手套加強保護，而且經常稍作休息，減少承受的震力。

剩餘風險

即使應用有關的安全規定並採用安全設備，仍然還有一些無法避免的剩餘風險。危險包括：

- 聽力受損。
- 飛散的顆粒引起的人身傷害風險。
- 操作過程中配件變熱引起的灼傷風險。
- 長時間使用引起的人身傷害風險。

妥善保存這些安全指示

充電器

DeWALT 充電器無需調節，專為盡可能輕鬆使用而設計。

電氣安全

電動機只適用一種電壓。請務必檢查電池組電壓是否與銘牌一致，並且確保充電器的電壓與電源電壓一致。



DeWALT 充電器根據 IEC60335 進行雙重絕緣，因此不需要使用接地線。

若電源線損壞，必須使用 DeWALT 維修機構提供的專用電線進行更換。

使用延長電纜

如非絕對必要，否則不要使用延長電纜。請使用與充電器的輸入功率相匹配的認可延長電纜（請參閱技術資料）。導體的最小橫截面尺寸為 1 平方公釐，最長為 30 米。

使用電纜捲筒時，每次必須把電纜完全展開。

所有電池充電器之重要安全指示

妥善保存這些安全指示：本手冊提供有關相容電池充電器的重要安全和操作指示（請參閱技術資料）。

- 在使用充電器之前，請先閱讀所有指示以及充電器、電池組和使用電池組的產品上的警告標記。



警告：觸電危險。切勿讓任何液體進入充電器，否則可能會導致觸電。



警告：建議使用漏電流額定值不超過 30 毫安的漏電流保護裝置。



小心：灼燒危險。為了減低受傷風險，只可以使用 DeWALT 可充電電池。其他非原廠電池可能會爆裂，導致人身傷害和損害。



小心：必須監督小孩，確保他們沒有耍玩具。

注意：在某些情況下，充電器連接到電源後，充電器內暴露的充電觸頭會被異物導致短路。導電的異物，包括但不限於鋼絲絨、鉛箔紙或任何由金屬粒子組成的物件，必須要遠離充電器範圍。充電器裡沒有電池組時，一定要拔掉充電器的電源。請先拔掉電源插頭後再清潔充電器。

- 切勿嘗試使用本手冊未提到的充電器替電池組充電。充電器與電池組專為搭配使用而特別設計。
- 除了為 DeWALT 可充電電池充電之外，這些充電器不可以用於其他用途。否則可能會導致火災、觸電或觸電致死。
- 請勿將充電器暴露在雨或雪中。
- 中斷充電器的電源時，請拔除插頭而非拉扯電線。這樣會降低電源插頭及電線損壞的風險。
- 請確保電線的位置不會被踐踏、令人絆倒，或引起其他方式的損壞或受傷。
- 除非絕對需要，否則請勿使用延長電線。使用不適當的延長電線會引起火災、觸電或觸電致死。
- 請勿將任何物件放在充電器上面，或是把充電器放在可能會堵住通風槽的柔軟表面，導致充電器的內部過熱。請將充電器放到遠離熱源的位置。充電器透過外殼頂部及底部的槽散熱。
- 切勿操作電線或插頭損壞的充電器，請立即予以更換。
- 如果充電器受到重擊、墜落或出現其他損壞情況，請勿使用充電器，並拿到授權維修中心修理。
- 切勿自行拆卸充電器。需要維護或修理時，請拿到授權維修中心。重新組裝不當可能會導致觸電、觸電致死或火災。
- 若電源線損毀，必須由製造商、服務代理或類似合格人員立即更換以避免發生危險。
- 在清潔之前，請將充電器的插頭從電源插座上拔掉，這樣可以減低觸電風險。取出電池組並不能降低該風險。
- 切勿試圖將兩個充電器連接在一起。
- 充電器是為標準 110 伏特的家用電源而設計。切勿試圖使用其他電壓。本規定不適用於車載充電器。

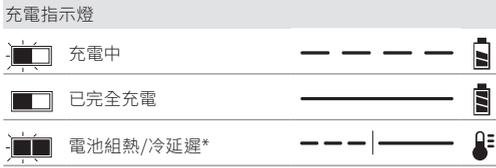
為電池充電（圖 B）

- 放進電池組前，先將充電器的插頭插到適當的插座。
- 將電池組 1 放進充電器，確保電池組已完全放入。紅燈（充電中）會重複閃爍，這表示充電程序已經開始。
- 當紅燈會持續亮起時，代表充電完成。此時，電池組的電力全滿，可以立即使用或是留在充電器裡。若要從充電器中取出電池組，請按下電池組上的電池釋放按鈕 2。

註：為了確保鋰離子電池組的效能及使用壽命最大化，在第一次使用電池組之前必須完全充電。

充電器操作

如需瞭解電池組的充電狀態，請參閱以下指示燈。



*紅燈會繼續閃爍，但在執行此操作期間黃色指示燈將亮起。電池組達到適當溫度後，黃色指示燈將熄滅，充電器將恢復充電程序。相容的充電器不會為有故障的電池組充電。充電器會透過不亮燈來表示電池組故障。

註：亦有可能是充電器發生故障。

如果充電器指出故障，請將充電器和電池組拿到授權維修中心進行測試。

電池組熱/冷延遲

當充電器偵測到電池組過熱或過冷，就會自動啟動電池組熱/冷延遲，在電池組達到適合的溫度之前暫停充電。然後，充電器會自動轉換到電池組充電模式。此功能可確保電池組的使用壽命最大化。冷電池組的充電速度大約是暖電池組的一半。在整個充電週期，電池組會以較慢的充電速度進行充電，即使電池組變暖，充電速度亦不會回復至最大充電速度。

DCB118 充電器具有專為冷卻電池組而設計的內部風扇。在需要冷卻電池組時，風扇會自動開啟。若風扇運作不正確或通風槽堵塞，切勿操作充電器。請勿讓異物進入充電器內部。

電子保護系統

XR 鋰離子工具的設計具有電子保護系統，可保護電池組，避免過載、過熱或深度放電。

如果電子保護系統啟動，本工具會自動關閉。如果出現此情況，請將鋰離子電池組放進充電器直到電力全滿。

牆面安裝

這些充電器經過精心設計，可以安裝在牆面上或立在桌面或工作表面上。若採用牆面安裝，請將充電器安裝在電源插座連接範圍內的位置，並遠離角落或可能阻礙空氣流動的障礙。將充電器的背面用作在牆面上確定安裝螺絲位置的型板。使用長度至少 25.4 公釐、螺頭直徑為 7-9 公釐的牆用螺絲（另售）牢固安裝充電器，旋進木料的最佳深度為螺絲大約有 5.5 公釐長度露在木料外。將露出的螺絲與充電器背面的槽對齊，並完全接合到槽中。

充電器清潔指示

警告：觸電危險。在清潔之前，請將充電器的插頭從 AC 電源插座上拔掉。 使用軟布或非金屬軟刷，去除充電器外部的污垢和油脂。請勿使用水或任何清潔劑。不要讓任何液體進入工具；不要讓工具的任何部分浸入液體中。

電池組

所有電池組之重要安全指示

購買更換電池組時，務必附上目錄號和電壓資料。

包裝內的電池組並未完全充電。在使用電池組和充電器之前，請先閱讀以下安全指示，並遵循所列的充電程序。

請閱讀所有指示

- **不要在易爆環境，如有易燃液體、氣體或粉塵的環境中進行充電或使用電池。** 將電池組放進充電器或拆除電池可能會點燃粉塵或氣體。
- **切勿強行將電池放進充電器。切勿以任何方式改裝電池組以在不相容的充電器中使用，否則電池組可能會破裂，導致嚴重人身傷害。**
- 只可使用 DeWALT 充電器為電池充電。
- **切勿將水分或其他液體飛濺到電池組或將電池組浸沒。**
- **請勿在溫度可能達到或超過 40°C (104°F) 的地方 (例如夏季的室外貨棚或金屬建築物) 儲存或使用本工具及電池組。**
- **即使電池組已嚴重損毀或磨損，請勿焚燒電池組。** 電池組可能會在火中爆炸。灼燒鋰離子電池組時會產生有毒氣體和物料。
- **如果電池液體接觸到皮膚，請立即以中性肥皂和清水沖洗接觸範圍。** 若電池液體進入眼睛，請睜開眼睛，用清水沖洗 15 分鐘或直到不適感消失為止。如果需要接受治療，電池的電解質由液化有機碳酸鹽和鋰鹽構成。
- **開啟的電池組中的物質可能會導致刺激呼吸道。** 請轉移至空氣流通處。如果症狀持續，請尋求醫療協助。



警告：燒傷危險。電池液如遇到火花或火焰可能會引起燃燒。



警告：不論是因為任何理由，都不要嘗試打開電池。如果電池組的外殼破裂或損毀，請勿放進充電器。切勿撞擊、摔落或損毀電池組。切勿使用受到重擊、墜落或出現其他損壞情況的電池組或充電器 (例如釘子刺穿、以錘子敲打或踩路)。否則可能會引起觸電或觸電致死。損毀的電池組應該送回維修中心進行回收。



警告：火災危險。切勿在儲存或搬運電池組時讓金屬物件接觸暴露的電池兩極。 例如，不要將電池組放在帶有鬆動的釘子、螺絲、鑰匙等的地方 (如圍裙、口袋、工具箱、產品包裝箱、抽屜等)。



小心：不使用工具時，請將工具放在沒有絆倒或墜落危險的穩定表面上。 一些具有大型電池組的工具可以直立但可能會輕易被撞倒。

運輸



警告：火災危險。 電池運輸途中，若兩級意外接觸導電材料，可能會引發火災。運輸電池時，確保電池兩級受到保護，並與可能接觸兩級並導致短路的材料良好絕緣。

註：鋰離子電池不應放在託運行李中。

DeWALT 電池符合行業和法律標準 (包括聯合國危險貨物運輸建議書、國際航空運輸協會 (IATA) 危險物品處理規則、國際海運危險物品 (IMDG) 處理規則以及國際公路運送危險物品歐洲協議 (ADR)) 規定的所有適用運輸規章。鋰離子電池和電池組均已根據《聯合國危險貨物運輸建議書測試與標準手冊》第 38.3 節的規定進行測試。大多數情況下，不會將運輸 DeWALT 電池組分歸為完全管制的第 9 類危險品。一般只有在運輸中包含額定能量大於 100 瓦時 (Wh) 的鋰離子電池時，才會將其分歸為完全管制的第 9 類危險品。所有鋰離子電池外殼上均標註有瓦時等級。此外，由於規章的複雜性，DeWALT 不建議對鋰離子電池組單獨採用空運，不論其額定能量是多少瓦時，都是如此。若電池組的額定能量不超過 100 瓦時，可以同時空運工具與電池組 (組合套件)。

無論運輸是否納入完全管制範圍內，運輸方均有責任諮詢瞭解針對包裝、標籤/標記及單據要求的最新規定。

手冊本節資訊基於良好商譽原則提供，在編製文件時被視為準確無誤，但不提供任何明示或暗示的保證。買方負有確保其行為遵守適用法規的責任。

運輸 FLEXVOLT™ 電池

DeWALT FLEXVOLT™ 電池有兩種模式：**使用與運輸**。

使用模式：若 FLEXVOLT™ 電池單獨使用或在 DeWALT 18 伏特 (20V Max) 產品中使用時，將作為 18 伏特 (20V Max) 電池運作。若 FLEXVOLT™ 電池在 54 伏特 (60V Max) 或 108 伏特 (120V Max) (兩個 54 伏特 (60V Max) 電池) 產品中使用，將作為 54 伏特 (60V Max) 電池運作。

運輸模式：將護蓋連接至 FLEXVOLT™ 電池時，電池將處於運輸模式。在運輸時，請將護蓋保留在電池上。

在運輸模式下，若將電池組內的一連串電池中斷電氣連接，會導致 3 個電池各自的瓦時 (Wh) 額定值低於 1 個電池組的瓦時額定值。這樣電池數量雖然增加到 3 個，但瓦時額定值更低，因此能避開針對較高瓦時電池的運輸規章。

例如，若運輸瓦時額定值為 3 x 36 瓦時，表示運輸 3 個電池，每個電池的額定值為 36 瓦時。使用瓦時額定值可能為 108 瓦時 (表示 1 個電池)。

使用與運輸標籤標記的示例



儲存建議

- 乾燥、涼爽、太陽不會直接照射、不會過熱或過冷的地方，就是電池組的最佳存放地點。為達到最大效能和使用壽命，不使用電池時請以室溫儲存電池組。
- 欲長期儲存，建議將電力全滿的電池組從充電器卸下，儲存於涼爽、乾燥處，使電池組效能達到最佳。

註：電池組不應在電力耗盡的情況下儲存。在使用之前，電池組必須再次充電。

充電器和電池組上的標籤

除了本手冊的圖示之外，充電器及電池組上的標籤包含以下圖示：



使用前請閱讀使用手冊。



充電時間請見 **技術資料**。



切勿插入導體。



切勿為損毀的電池組充電。



切勿暴露在水中。



立即更換損壞的電線。



只在溫度介於 4°C 至 40°C 之間充電。



僅供室內使用。



棄置電池組時要顧及環保。

LI-ION



只使用指定的 DeWALT 充電器為 DeWALT 電池組充電。使用 DeWALT 充電器對指定的 DeWALT 電池以外的電池組充電會爆裂或導致其他危險情形。



切勿焚化電池組。



使用 (無運輸電池蓋)。範例：瓦時額定值為 108 瓦時 (具有 108 瓦時的 1 個電池)。



運輸 (有內建運輸電池蓋)。範例：瓦時額定值為 3 x 36 瓦時 (具有 36 瓦時的 3 個電池)。

電池類型

DCD708/DCD709 使用 18 伏特 (20V Max) 電池組。

可以使用以下電池組：DCB181、DCB182、DCB183、DCB184、DCB185、DCB187、DCB189、DCB203、DCB204、DCB205、DCB546、DCB547、DCB548、DCB606、DCB609、DCB612、DCBP034。請參閱 **技術資料** 瞭解更多資訊。

套裝內的物件

本套裝包括：

- 1 個 電鑽調扭起子機 (DCD708) 或震動電鑽調扭起子機 (DCD709)
- 1 個 充電器
- 1 個 皮帶扣 (特定型號隨附)
- 1 個 磁力鑽頭夾具 (特定型號隨附)
- 1 個 鋰離子電池組 (C1、D1、E1、L1、M1、P1、S1、T1、X1、Y1 型號)
- 2 個 鋰離子電池組 (C2、D2、E2、L2、M2、P2、S2、T2、X2、Y2 型號)
- 3 個 鋰離子電池組 (C3、D3、E3、L3、M3、P3、S3、T3、X3、Y3 型號)
- 1 本 使用手冊
 - 檢查工具、部件或配件有否在運送途中損壞。
 - 操作前，請抽空徹底地閱讀和掌握本手冊的內容。

工具上的標誌

工具上會附帶下列圖示：



使用前請閱讀使用手冊。



請佩戴聽力保護器。



請佩戴護目鏡。



可見輻射。請勿直視光源。

日期代碼位置 (圖 A)

日期代碼 **14**，包括製造年份，已經印刷在工具外殼上。

範例：

2022 XX XX
製造年份

說明 (圖 A)

警告：切勿改動本電動工具或其任何部件。否則可能導致損壞或人身傷害。

- 1 電池組
- 2 電池組釋放按鈕
- 3 主手柄
- 4 變速觸發開關
- 5 正/反轉控制按鈕
- 6 模式選擇環
- 7 速度選擇器
- 8 工作燈
- 9 夾頭套管
- 10 快速夾頭
- 11 皮帶扣 (特定型號隨附)
- 12 螺絲
- 13 磁力鑽頭夾具 (特定型號隨附)
- 14 日期代碼

設計用途

這些電鑽調扭起子機/震動電鑽調扭起子機是為專業鑽孔、衝擊鑽孔和螺絲安裝而設計。

請勿在潮濕有水或存有易燃液體或氣體的環境下使用本工具。

這些電鑽調扭起子機/震動電鑽調扭起子機是專業電動工具。

不要讓兒童接觸本工具。缺乏經驗的操作人員需要在監督下使用本工具。

- **兒童和體弱者。**兒童或體弱者在沒有他人監督的情況下不適宜使用本工具。
- 體力、感覺或智力不足，以及缺乏經驗、知識或技能的人員(包括兒童)不適合使用本產品，除非一旁有能為他們安全負責的監督人員。請勿讓兒童單獨接觸本工具。

裝配與調整

警告：為了減低造成嚴重人身傷害的風險，在進行任何調整或取出/安裝附件或配件之前，請關閉裝置並取出電池組。意外啟動工具可能會造成傷害。

警告：請僅使用 DeWALT 電池組與充電器。

在工具中安裝及卸下電池組 (圖 B)

註：請確保電池組 1 電力已完全充滿。

將電池組安裝到工具手柄中

1. 將電池組 1 與工具手柄內的軌道對齊 (圖 B)。
2. 將電池組滲入手柄，直到電池組在工具內緊緊固定並確保聽到鎖定到位的聲音。

卸下工具內的電池組

1. 按下釋放按鈕 2，將電池組從工具手柄中穩妥地拉出。
2. 按照本手冊有關充電器的章節所述，將電池組放進充電器。

電量計電池組 (圖 B)

一些 DeWALT 電池組帶有包含三個綠色 LED 燈的電量計，可以指示電池組的剩餘電量。

若要啟用電量計，請按下並按住電量計按鈕。三個綠色 LED 燈將以組合方式亮起，以指示剩餘電量。電池電量低於可用限值時，電量計不會亮起，此時需要對電池充電。

註：電量計只指示電池組的剩餘電量。它並不指示工具功能，且根據工具組件、溫度和最終使用者的應用而有所不同。

皮帶扣和磁力鑽頭夾具 (圖 A) (選購配件)

警告：為了減低造成嚴重人身傷害的風險，切勿將工具懸吊於頭頂或用皮帶扣懸吊物件。只可以用工作皮帶懸掛工具內的皮帶扣。

警告：為了減低造成嚴重人身傷害的風險，請確保固定皮帶扣的螺絲已緊固。

重要：安裝或更換皮帶扣或磁力鑽頭夾持器時，請僅使用提供的螺絲。確保扭緊螺絲。

可根據使用者慣用左手或右手，使用提供的螺絲 12 將皮帶扣 11 和磁力鑽頭夾持器 13 固定在工具的任意一側。如果不需要使用皮帶扣或磁力鑽頭夾持器，則可將其從工具上卸下。

若要移動皮帶扣或磁力鑽頭夾持器，請卸下將其固定到位的螺絲 12，然後在反面重新安裝。確保扭緊螺絲。

將鑽頭或配件安裝至快速夾頭 (圖 D)

警告：不要嘗試透過握住夾頭前部並啟動工具來擰緊鑽頭 (或任何其它附件)。這可能會導致夾頭損壞和人身傷害。更換配件時，務必鎖定觸發開關並斷開工具電源。

警告：啟動工具之前應確保鑽頭安裝穩固。鬆動的鑽頭可能會從工具脫落，從而可能導致人身傷害。

您的工具配備快速夾頭 10，帶有一個旋轉套管 9，以便方便單手操作夾頭。若要插入鑽頭或其它配件，請執行以下步驟。

1. 關閉電源並將電池組卸下。
2. 用一隻手抓住夾頭的黑色套管，用另一隻手固定工具。逆時針旋轉套管到可接受所需配件的程度。
3. 將配件插入夾頭約 19 公釐處，然後用一隻手順時針旋轉夾頭，另一隻手則握住工具，將配件擰緊。您的工具配有一個自動軸心鎖機構。藉助此機構，您只需一隻手即可開啟和關閉夾頭。

擰緊夾頭時，務必用一隻手握住夾頭套管，用另一隻手握住工具，以獲得最大的緊密性。

若要鬆開配件，請重複上述步驟 1 和 2。

速度選擇 (圖 A)

本工具備有兩種速度設定，以獲得更大的適用性。

註：工具運轉時不要改變速度。改變速度之前，務必等待工具完全停止。

1. 若要選擇速度 1 (高扭矩設定)，請關閉工具並讓它停止轉動。將速度選擇器 7 向後滑動 (遠離夾頭)。
2. 若要選擇速度 2 (高速設定)，請關閉工具並讓它停止轉動。將速度選擇器 7 向前滑動 (滑向夾頭)。

如果工具沒有改變速度，請確認已將速度選擇開關完全推向正轉或反轉位置。

模式選擇 (圖 A)

視乎應用而定，可使用模式選擇環 6 選擇所需的操作模式。

若要使用，請旋轉模式選擇環直到所需的符號與箭頭對齊。

符號	模式
	鑽孔

1-15	螺旋操作 (數字越大 = 扭矩越高)
	銼鑽 (僅適用於 DCD709)

變速觸發開關和正/反轉控制按鈕 (圖 A、E)

電鑽透過拉動和鬆開變速觸發開關 **4** 來開啟和關閉。您愈用力擠壓觸發器，電鑽便會以愈快的速度運轉。本工具配有制動器。一旦完全鬆開觸發開關，夾頭就會馬上停止。

正/反轉控制按鈕 **5** 決定工具的旋轉方向，同時具備鎖定關閉功能。

- 若要選擇正轉，請鬆開觸發開關，然後按下工具右邊的正/反轉控制按鈕。
- 若要選擇反轉，請按下工具左邊的正/反控制按鈕。

註：當控制按鈕處於中心位置時，工具會被鎖定在關閉位置。要改變控制按鈕的位置時，請確保觸發器已經鬆開。

註：不建議在變速範圍內進行持續使用。這會損壞開關，應當避免。

註：當您改變轉動方向後第一次操作工具，您可能會在啟動時聽到卡嗒聲。這是正常現象，不代表工具故障。

操作

使用說明



警告：務必遵守安全指示和適用的規則。



警告：為了減低造成嚴重人身傷害的風險，在進行任何調整或取出/安裝附件或配件之前，請關閉裝置並取出電池組。意外啟動工具可能會造成傷害。

正確的雙手放置位置 (圖 C)



警告：為了減低嚴重人身傷害的風險，請務必如圖示那樣正確放置雙手。



警告：為了減低造成嚴重人身傷害的風險，預期有突然反作用力時務必握緊。

正確的雙手放置位置是將一隻手放在主手柄 **3** 上，另一隻手握住電池組。

工作燈 (圖 A)

工作燈 **8** 位於工具的底座上。按壓觸發開關時，工作燈就會亮起。鬆開觸發器後，工作燈將保持點亮達 20 秒鐘。

註：工作燈用於照亮緊鄰的工作表面，而不是設計作為手電筒。

執行應用 (圖 A、D)



警告：為了減低造成人身傷害的風險，務必確保工件已穩固地固定或夾住。



警告：在更改旋轉方向之前，請務必等待直到電動機完全停止。

操作之前：

- 設定速度選擇器 **7**。請參閱 **速度選擇**。
- 把適當的鑽頭或配件安裝到夾頭中。請參閱 **將鑽頭或配件安裝至快速夾頭**。



警告：

- 請勿使用本工具來混合或泵打易燃或易爆液體 (揮發油、酒精等)。
- 請勿使用本工具來混合或攪拌標有易燃標記的液體。

螺旋操作

您的工具有可調節扭矩的離合器，用來安裝和取出各種形狀和大小的扣件。模式選擇環 **6** 上的數字用於設定螺旋操作的扭矩範圍。調整環上的數字越大，扭矩越高，且可安裝的扣件也越大。

- 將模式選擇環 **6** 轉至所需位置。請參閱 **模式選擇**。
- 拉動觸發開關並以與鑽頭方向成一直線的方式施加壓力，直至扣件固定在工件中的所需深度。

螺旋操作建議

- 先從較低的扭矩設定開始，然後再使用較高的扭矩設定以避免損壞工件或扣件。
- 在工件較小或隱蔽區域進行一些實際運轉以確定模式選擇環的正確位置。

鑽孔

- 將模式選擇環 **6** 轉至電鑽符號。請參閱 **模式選擇**。
- 確保鑽頭與工件保持接觸。**註：**請僅使用鋒利的鑽頭。
- 拉動觸發開關並以與鑽頭方向成一直線的方式施加壓力，直至達到所需深度。
 **警告：**如果過載，電鑽可能會失速，導致突然旋轉。請保持警覺，並隨時有失速的心理準備。緊握電鑽以控制旋轉動作，避免傷害。
- 將鑽頭從已鑽好的洞拔出時，讓電機保持運轉以防止卡死。

鑽孔建議

- 鑽孔時，請始終沿直線以鑽頭施壓，但不要太用力以致電機失速或鑽頭偏斜。
- 如果電鑽失速：**
 - 請立即鬆開觸發器，從工件上退出鑽頭，查找失速的原因。
 - 不要按下又鬆開觸發器以試圖啟動失速的電鑽 — 這會損壞電鑽。
 - 為儘量減少失速故障或避免鑽頭在材料中折斷，請降低對電鑽的壓力，使鑽頭從孔的最後部分中緩和下來。
- 在鋼材上鑽大孔 (7.9 公釐至 12.7 公釐) 時，如果先鑽一個導向孔 (4 公釐至 4.8 公釐)，操作會更容易。
- 若要在薄材料或容易碎裂的材料上鑽孔，請使用木塊墊住以防工件損壞。

銼鑽



警告：請佩戴合適的呼吸保護裝置。請使用專為應用而設計的除塵器或集塵系統收集殘留灰塵。

僅適用於 DCD709

重要：請僅使用適用於衝擊鑽孔操作的硬合金鑽頭或磚石鑽頭。

- 使用速度選擇器 **7** 選擇所需的速率/扭矩範圍以與操作計畫的速率和扭矩相符。將模式選擇環 **6** 轉至電鑽符號。
- 拉動觸發開關，並只需對錘子施加足夠的壓力，以防止過度反彈或「脫離」鑽頭。

銼鑽建議

- 過多壓力將導致鑽孔速度變慢、過熱，並且鑽孔速度降低。
- 如果鑽頭平滑、均勻地流出，則表明鑽孔速度適當。

- 直線鑽孔，保持鑽頭與工件成直角。鑽孔時不要在鑽頭上施加側壓力，這將導致鑽頭凹槽阻塞，鑽孔速度變慢。
- 鑽深孔時，如果錘子速度開始減慢，在工具仍運轉的情況下，從孔中拔出部分鑽頭以幫助清理鑽屑。

- 使電池完全放電，然後將它從工具中卸下。
- 鋰離子電池是可回收的。請將它們送往您的代理商或當地的回收站。所收集的電池組將會再循環利用或妥善處置。

維護

DEWALT 電動工具採用卓越的設計，能夠長時間使用，並且只需最少的維護。若要持續獲得滿意的操作效果，需進行正確的工具維護和定期的清潔。



警告：為了減低造成嚴重人身傷害的風險，在進行任何調整或取出/安裝附件或配件之前，請關閉裝置並取出電池組。意外啟動工具可能會造成傷害。

充電器和電池組是不可檢修的裝置。



潤滑

本電動工具毋需額外潤滑。



清潔



警告：一旦通風口及其周圍積聚可見的粉塵，請立即使用乾燥的壓縮空氣吹掉主機外殼內的粉塵和灰塵。執行此步驟時，請佩戴經認可的護目裝備和防塵面罩。



警告：切勿使用溶劑或其他刺激性化學品來清潔工具的非金屬部件。這些化學品可能會削弱部件中使用的材料。只能使用抹布蘸中性肥皂水進行清潔。不要讓任何液體進入工具；不要讓工具的任何部分浸入液體中。

選購配件



警告：由於非 DEWALT 所提供的配件未在本產品上進行過使用測試，在本產品上使用這些附件可能發生危險。為降低傷害危險，在本產品上只應使用 DEWALT 所推薦的配件。

如需進一步瞭解適用配件的相關資訊，請洽詢當地代理商。

保護環境



分類回收。帶有此標誌的產品和電池必須與一般家庭廢物分開處置。

產品和電池包含可重複使用或回收的材料，可降低對原材料的需求。請根據當地法規回收電氣產品和電池。更多資訊，請造訪 www.2helpU.com。

可充電電池組

本電池組使用壽命長，如無法完成理應輕鬆完成的工作時，必須為電池組充電。在使用壽命結束時，請妥善處置以保護我們的環境：

進口商：新加坡商百得電動工具（股）公司台灣分公司

地址：台北市士林區德行西路 33 號 2 樓

電話：02-28341741

總經銷商：永安實業股份有限公司

地址：新北市三重區新北大道二段 137 號

電話：02-29994633

충전식 드릴 드라이버 / 햄머 드릴 드라이버

DCD708, DCD709

축하합니다!

DEWALT 공구를 선택해 주셔서 감사합니다. DEWALT는 오랜 경험을 토대로 한 제품 개발 및 혁신을 통해 전문 사용자들이 가장 인정하는 기업으로 자리잡아왔습니다.

기술 데이터

		DCD708	DCD709
전압	V _{DC}	18V (20V MAX)	18V (20V MAX)
배터리 유형		리튬 이온	리튬 이온
전원 출력	W	340	340
무부하 속도			
1단 기어	분-1	0-450	0-450
2단 기어	분-1	0-1650	0-1650
분당 타격 수			
1단 기어	-	-	0-7650
2단 기어	-	-	0-28050
최대 토크(하드/소프트)	Nm	65/26	65/26
척 용량	mm	1.5-13	1.5-13
최대 드릴 용량			
목재	mm	30	30
금속	mm	13	13
석재	mm	-	13
무게(배터리 팩 제외)	kg	1.10	1.20

이 매뉴얼에 제공된 진동 레벨은 IEC60335에서 표준화된 테스트에 따라 측정된 것이며 한 공구를 다른 공구와 비교하는 데 사용할 수 있습니다. 이는 진동 노출에 대한 예비 평가를 위해서도 사용할 수 있습니다.



경고: 표시한 진동 레벨은 공구를 주요 용도에 사용한 경우를 나타냅니다. 그러나 공구를 다른 액세서리와 함께 다른 용도에 사용하거나 부실하게 관리되는 경우 진동이 달라 질 수 있습니다. 이로 인해 총 작업 기간에 걸쳐 노출 레벨을 상당히 증가시킬 수 있습니다.

또한 진동에 대한 노출 레벨 추정 시 공구 전원이 꺼졌을 때 또는 작동되고 있으나 실제로 작업을 하지 않은 시간을 고려해야 합니다. 이것은 총 작업 기간에 걸쳐 노출 레벨을 대폭 감소시킬 수 있습니다.

작업자가 진동의 영향을 받지 않도록 보호하기 위하여 공구 및 액세서리의 유지관리, 손을 따뜻하게 유지, 작업 패턴의 조정 등 추가적인 안전 조치를 확인해야 합니다.



경고: 부상 위험을 줄이려면 사용 설명서를 숙지하십시오.

정의: 안전 지침

다음 정의는 각 경고 문구의 심각도를 설명합니다. 사용 설명서를 읽고 다음 기호들에 유의하십시오.



위험: 절박한 위험 상태를 나타내며, 방지하지 않으면 **사망 또는 심각한 부상을 초래합니다.**



경고: 잠재적 위험 상태를 나타내며, 방지하지 않으면 **사망 또는 심각한 부상을 초래할 수 있습니다.**



주의: 잠재적으로 위험한 상태를 나타내며, 방지하지 않으면 **경미하거나 가벼운 부상을 초래할 수 있습니다.**

참고: **신체 부상을 초래하지 않는 행위를 나타내며, 방지하지 않으면 재산상의 손해가 발생할 수 있습니다.**



감전 위험을 나타냅니다.



화재 위험을 나타냅니다.

배터리				충전기/충전 시간 (분)							
카탈로그 번호	V _{DC}	Ah	중량 (kg)	DCB104	DCB107	DCB112	DCB115	DCB117	DCB118	DCB132	DCB1112
DCB546/DCB606	18/54 (20/60 Max)	6.0/2.0	1.05	60	270	170	90	40	60	90	40
DCB547/DCB609	18/54 (20/60 Max)	9.0/3.0	1.46	75*	420	270	135*	60	75*	135*	60
DCB548/DCB612	18/54 (20/60 Max)	12.0/4.0	1.44	120	540	350	180	80	120	180	80
DCB181	18 (20 Max)	1.5	0.35	22	70	45	22	22	22	22	22
DCB182/DCB204	18 (20 Max)	4.0	0.61	60/40**	185	120	60	60/40**	60/40**	60	60/40**
DCB183/DCB203	18 (20 Max)	2.0	0.40	30	90	60	30	30	30	30	30
DCB184/DCB205	18 (20 Max)	5.0	0.62	75/50**	240	150	75	75/50**	75/50**	75	75/50**
DCB185	18 (20 Max)	1.3	0.35	22	60	40	22	22	22	22	22
DCB187	18 (20 Max)	3.0	0.54	45	140	90	45	45	45	45	45
DCB189/DCB240	18 (20 Max)	4.0	0.54	60	185	120	60	60	60	60	60
DCB186	18 (20 Max)	6.0	0.95	60	270	170	90	60	60	90	60
DCBP034	18 (20 Max)	1.7	0.32	27	82	50	27	27	27	27	27

*날짜 코드 2018114758 또는 그 이후

**날짜 코드 201536 또는 그 이후

전동 공구에 관한 일반 안전 경고



경고: 이 전동 공구와 함께 제공되는 모든 안전 경고와 지시사항, 설명 및 사양을 읽으십시오. 아래 설명한 모든 지시 사항을 따르지 않으면 감전, 화재 및/또는 심각한 부상을 초래할 수 있습니다.

향후 참고할 수 있도록 모든 경고 및 지시 사항을 보관해두십시오.

경고에서 사용된 "전동 공구"라는 용어는 주 공급 전원에 의해 전기가 공급되는(유선) 전동 공구 또는 충전식(무선) 전동 공구를 의미합니다.

1) 작업장 안전

- 작업장을 항상 청결하고 밝게 유지하십시오.** 혼잡하거나 어두운 작업장에서는 사고가 발생하기 쉽습니다.
- 가연성 액체, 가스 또는 먼지 등이 있는 폭발성 대기에서 전동 공구를 사용하지 마십시오.** 전동 공구에서 먼지나 가스를 발하시킬 수 있는 불꽃이 될 수 있습니다.
- 전동 공구로 작업하는 동안에는 어린이와 주변 사람들이 작업 영역에 가까이 들어오지 못하도록 하십시오.** 주변이 산만해져 통제력을 잃을 수 있습니다.

2) 전기 안전

- 전동공구의 플러그는 콘센트와 형식이 일치해야 하며, 플러그를 어떤 형태로든 개조하지 마십시오. 또한 접지된 전동공구에 다른 어댑터 플러그를 사용하지 마십시오.** 개조되지 않은 플러그 및 형식이 일치하는 콘센트를 사용하면 감전 위험이 줄어듭니다.
- 파이프 관, 라디에이터, 렌즈, 냉장고 등의 접지 표면에 물이 닿지 않도록 하십시오.** 몸에 닿을 경우 감전이 될 위험이 높아집니다.
- 전동 공구를 비 또는 습한 환경에 노출하지 않도록 주의하십시오.** 전동 공구에 물이 들어가면 감전 위험이 높아집니다.
- 코드를 함부로 다루지 마십시오. 코드를 사용하여 전동공구를 운반하거나, 코드를 과도하게 잡아당겨서 플러그를 뽑지 않도록 주의 하십시오. 전열코드가 열기 또는 오일과 접촉되는 것을 피하고, 날카로운 모서리 또는 기기의 기둥 부위에 닿지 않도록 주의 하십시오.** 코드가 손상되거나 얽혀 있으면 감전 위험이 높아집니다.
- 전동 공구를 실외에서 사용할 때는 실외 사용에 적합한 연장 코드를 사용하십시오.** 실외 사용에 적합한 코드를 사용하면 감전 위험이 줄어듭니다.
- 전동공구를 습한 공간에서 사용할 경우, 반드시 누전 차단기(RCD)를 사용하십시오.** RCD를 사용하면 감전 위험이 줄어듭니다.

3) 신체 안전 사항

- 전동 공구로 작업할 때는 방심하지 말고 작업에 주의하면서 상식에 따르십시오.** 피곤한 상태이거나 약물, 술, 치료제를 복용한 상태에서는 전동 공구를 사용하지 마십시오. 전동 공구를 사용하다 잠깐만 한 눈을 팔아도 심각한 부상을 당할 수 있습니다.
- 신체 보호 장비를 착용하십시오. 항상 보안경을 착용하십시오.** 적합한 상황에서 방진 마스크, 미끄럼 방지 안전화, 안전모 또는 청력 보호 기구 등의 보호 장비를 사용하면 신체 부상 위험이 줄어듭니다.

- 의도하지 않은 장비 자동 방지, 전원 및/또는 배터리 팩에 연결된 상태로 공구를 선택 또는 운반할 때는 사전에 스위치가 꺼짐 위치에 있는지 반드시 확인하십시오.** 스위치가 꺼짐 위치에 있는 상태에서 스위치에 손가락이 닿은 상태로 전동 공구를 운반하거나 전동 공구에 전원을 공급하면 사고가 발생합니다.
- 전동 공구를 켜기 전에 모든 조정 키 또는 렌치를 제거하십시오.** 전동 공구의 회전 부분에 렌치나 키가 부착되어 있으면 부상을 당할 수 있습니다.
- 무리하게 팔을 뻗지 마십시오. 항상 올바른 자세로 서서 균형을 유지하십시오.** 안정된 자세로 작업을 할 경우 전동 공구를 안전하게 사용할 수 있습니다.
- 적절한 의복을 착용하십시오. 헐렁한 옷이나 장신구를 착용하지 마십시오. 머리카락과 옷이 움직이는 부품에 닿지 않도록 유의하십시오.** 헐렁한 옷, 장신구 또는 긴 머리카락 움직이는 부품에 걸릴 수 있습니다.
- 먼지 배출 및 집진 시설 연결을 위한 장치가 제공된 경우, 이를 장치가 연결되어 적절히 사용되고 있는지 반드시 확인하십시오.** 집진 장치를 사용하면 먼지와 관련된 위험을 줄일 수 있습니다.
- 장치를 자주 사용함으로써 생긴 익숙함으로 인해 현실에 안주하거나 공구 안전 원칙을 무시하지 않도록 하십시오.** 부주의한 작동은 순식간에 심각한 부상을 야기할 수 있습니다.

4) 전동 공구 사용 및 관리

- 전동 공구에 무리한 힘을 가하지 마십시오. 해당 용도에 맞는 올바른 전동 공구를 사용하십시오.** 올바른 전동 공구를 사용해야 설계된 속도로 작업을 더욱 안전하고 정확하게 수행할 수 있습니다.
- 켜지지 않거나 꺼지지 않는 경우 전동 공구를 사용하지 마십시오.** 스위치로 제어되지 않는 전동 공구는 위험하므로 수리해야 합니다.
- 전동 공구를 조정하거나 액세서리를 변경하거나 보관하기 전에 전동 공구에서 분리되는 경우 전원 및/또는 배터리 팩에서 플러그를 분리하십시오.** 이러한 예방적 안전 조치를 따라야 전동 공구가 갑자기 작동할 위험이 줄어듭니다.
- 사용하지 않는 전동 공구는 어린이의 손이 닿지 않는 곳에 보관하고, 전동 공구나 본 지시 사항에 익숙하지 않은 사람이 전동 공구를 절대 사용하지 못하게 하십시오.** 전동 공구는 훈련을 받지 않은 사용자가 다루면 위험합니다.
- 전동 공구 및 액세서리 유지 보수. 움직이는 부품의 잘못된 정렬이나 비인딩, 부품 파손 및 기타 전동 공구의 작동에 영향을 미칠 수 있는 기타 모든 상태를 확인하십시오.** 손상된 부분이 있는 경우 사용하기 전에 전동 공구를 수리하십시오. 많은 사고는 전동 공구를 제대로 유지 보수하지 않아 발생합니다.
- 공구를 깨끗한 상태로 유지하십시오.** 절삭 가장자리를 예리하게 잘 유지하면 절삭기를 사용할 때 비인딩이 적고 다루기가 용이합니다.
- 작업 환경과 수행할 작업을 고려하여, 본 지시 사항에 따라 전동 공구, 액세서리 및 볼트 등을 사용하십시오.** 본 사용 설명서의 내용과 다른 용도로 전동 공구를 사용하면 위험한 상황이 발생할 수 있습니다.
- 핸들과 잡는 표면은 건조하고 깨끗한 상태를 유지하고 오일/기름이 묻지 않도록 하십시오.** 미끄러운 핸들과 잡는 면은 예기치 못한 상황에서 안전한 취급과 공구 관리를 보장하지 않습니다.

5) 배터리 공구 사용 및 주의 사항

- a) **다시 충전할 때는 제조업체에서 지정한 충전기만 사용하십시오.**
하나의 배터리 팩 유형에 적합한 충전기를 다른 배터리 팩과 함께 사용할 경우 화재의 위험이 있습니다.
- b) **전동 공구를 사용할 때는 구체적으로 지정되어 있는 배터리 팩만 사용하십시오.** 다른 배터리 팩을 사용하면 부상을 입거나 화재의 위험이 있습니다.
- c) **배터리 팩을 사용하지 않을 때에는 클립, 동전, 키, 못, 나사 등의 금속 물체나, 단자 간에 연결할 수 있는 작은 금속 물체가 닿지 않도록 멀리 두십시오.** 배터리 단자가 단락되면 화상을 입거나 화재의 위험이 있습니다.
- d) **배터리를 과다 사용하면 액체가 배터리에서 흘러 나올 수 있으므로, 접촉을 피하십시오.** 심수로 접촉한 경우에는 물로 씻으십시오. 액체가 눈에 들어간 경우 치료를 받으십시오. 배터리에서 나온 액체는 통증을 유발하거나 화상을 입힐 수 있습니다.
- e) **손상되거나 변경된 배터리 팩 또는 공구를 사용하지 마십시오.** 손상되거나 개조된 배터리는 예측할 수 없는 작용을 보여, 화재, 폭발 또는 부상 위험을 야기할 수 있습니다.
- f) **배터리 팩 또는 공구를 불이나 과도한 온도에 노출하지 마십시오.** 불 또는 130°C 이상의 온도에 노출되면 폭발할 수 있습니다.
- g) **모든 충전 지침을 따르고 배터리 팩 또는 공구를 설명서에 지정된 범위 밖의 온도에서 충전하지 마십시오.** 적절하지 않게 충전하거나 지정된 범위 밖의 온도에서 충전하면 배터리가 손상되어 화재 위험이 증가될 수 있습니다.

6) 정비

- a) **자격을 갖춘 기술자가 동일 교체 부품을 사용하여 정비 작업을 수행해야 합니다.** 그래야 전동 공구의 안전이 보장됩니다.
- b) **손상된 배터리 팩을 정비하지 마십시오.** 배터리 팩은 제조업체 또는 공인 서비스 공급업체를 통해서만 점검을 받아야 합니다.

긴 드릴 비트 사용 시 안전 지침

- **드릴 비트의 최대 정격 속도보다 더 높은 속도에서 조작하지 마십시오.** 고속에서는, 작업물에 닿지 않고 자유롭게 돌아가도록 하는 경우 비트가 구부러져서, 부상을 입을 수 있습니다.
- **항상 저속에서 비트 팁이 작업물에 닿은 상태에서 드릴 작업을 시작하십시오.** 고속에서는, 작업물에 닿지 않고 자유롭게 돌아가도록 하는 경우 비트가 구부러져서, 부상을 입을 수 있습니다.
- **비트와 직선을 이룬 상태에서 압력을 가하고 과도한 압력을 주지 마십시오.** 비트가 구부러져 파손되거나 제어력을 잃을 수 있고, 부상을 초래할 수 있습니다.

드릴/드라이버/햄머드릴에 대한 추가 안전 경고

- **클램프 또는 다른 적절한 방식을 이용하여 안정된 작업대에 작업 공구들을 고정 및 지지하십시오.** 작업물을 손으로 잡거나 몸에 지지하는 행동은 불안정하며, 제어력을 잃을 수 있습니다.
- **작업 중에는 액세서리와 공구가 뜨거워 수 있습니다.** 금속 드릴 등 발열 작업을 수행하는 경우에는 취급 시 장갑을 착용하십시오.
- **통풍구가 움직이는 부품을 가로막는 경우가 종종 발생하는 데 이를 피해야 합니다.** 힐링한 옷, 장신구 또는 긴 머리카락이 움직이는 부품에 낄 수 있습니다.

- **안전 고글 또는 기타 눈 보호 장구를 착용하십시오.** 햄머 및 드릴 작업 시 파편이 날아갈 수 있습니다. 파편이 날아가 눈이 영구적으로 손상될 수 있습니다.
- **임팩트 드릴 작업 시 귀 보호 장비를 착용하십시오.** 소음이 노출되면 청력이 손상될 수 있습니다.
- **보호 헬름(공구와 함께 제공된 경우)을 사용하십시오.** 제어력을 잃으면 신체 부상을 당할 수 있습니다.
- **절삭 액세서리가 숨겨진 배선에 접촉할 수 있는 작업을 수행할 때는 절연된 손잡이 부분을 이용해 전동 공구를 쥐십시오.** "전류가 흐르는" 전선에 접촉된 절삭 액세서리는 전동 공구의 노출된 금속 부품을 "전류가 흐르는" 상태로 만들어 작업자를 감전시킬 수 있습니다.
- **본 공구를 장시간 사용하지 마십시오.** 공구 작동으로 인한 진동은 손과 팔에 유해할 수 있습니다. 장갑을 사용하여 추가 쿠션을 제공하고 종종 휴식을 취하여 진동에 의한 노출을 제한하십시오.

기타 발생 가능한 위험

관련된 안전 규정을 준수하고 안전 장치를 사용한다고 해도 특정한 위험은 피할 수 없습니다. 이러한 위험은 다음과 같습니다.

- 청력 손상.
- 파편 날림으로 인한 신체 부상 위험.
- 작업 중 뜨거워지는 액세서리로 인한 화상 위험.
- 장시간 사용으로 인한 신체 부상의 위험.

본 지침을 잘 보관해 두십시오.

충전기

DeWALT 충전기는 어떠한 조절 작업도 필요 없으며 최대한 작동하기 쉽게 설계되었습니다.

전기 안전

전기 모더는 한 가지 전압에만 맞추어 설계되었습니다. 배터리 팩 전압이 명판에 기재된 전압과 일치하는지 항상 확인하십시오. 또한 충전기의 전압이 주전원의 전압과 일치하는지 확인하십시오.



DeWALT 충전기는 IEC60335에 따라 이중 절연되어 있습니다. 따라서 접지선이 필요하지 않습니다.

전원 코드가 손상된 경우에는 DeWALT 서비스 센터를 통해 특수 제작된 코드로 교체해야만 합니다.

연장 케이블 이용

연장 코드는 가끔씩 사용하지 마십시오. 사용 중인 전원공급기 정격전원에 맞는 승인된 연장 코드를 사용하십시오(**기술 데이터** 참조). 최소 도체 크기는 1 mm², 최대 길이는 30 m입니다.

케이블 릴을 사용할 때는 항상 케이블을 완전히 푸십시오.

모든 배터리 충전기에 대한 중요한 안전 지침

본 지침을 잘 보관해 두십시오. 본 사용 설명서에는 호환이 되는 배터리 충전기에 대한 중요한 안전 및 작업 지침이 포함되어 있습니다 (**기술 데이터** 참조).

- 충전기를 사용하기 전에 충전기, 배터리 팩, 그리고 배터리 팩 관련 제품에 대한 지침과 주의 표시를 숙지하십시오.



경고: 감전 위험. 충전기 내부에 액체가 들어가지 않도록 하십시오. 감전될 수 있습니다.



경고: 정격 전류 전류가 30mA 미만인 누전 차단기를 사용하는 것이 좋습니다.



주의: 화상 위험. 신체 부상의 위험을 줄이려면 DEWALT 충전용 배터리로만 충전하십시오. 다른 유형의 배터리는 폭발로 인한 신체 부상과 손상을 초래할 수 있습니다.



주의: 어린이가 본 제품을 가지고 놀지 못하도록 항상 주의해야 합니다.

참고: 특정 조건에서, 충전기가 전원 공급기에 연결되어 있으면 충전기 내부에 노출된 충전 접점이 이물질에 의해 단락될 수 있습니다. 철부스리기, 알루미늄 호일, 금속 입자 축적물 등의 전도성 이물질은 충전기 캐비티에 닿지 않게 해야 합니다. 캐비티 안에 배터리 팩이 없을 경우 항상 배터리 전원 공급기에서 충전기의 플러그를 뽑으십시오. 충전기를 청소할 때는 플러그를 뽑아야 합니다.

- 본 사용 설명서에 명시된 충전기 외의 다른 충전기로 배터리 팩을 충전하지 마십시오. 본 충전기와 배터리 팩은 함께 사용하도록 특수 설계되었습니다.
- 이러한 충전기는 DEWALT 충전용 배터리 충전 이외의 용도로는 사용할 수 없습니다. 다른 용도로 사용하면 화재, 감전 또는 감전사의 위험이 있습니다.
- 충전기가 비나 눈을 맞지 않도록 하십시오.
- 충전기를 분리할 경우 코드가 아니라 플러그를 뽑으십시오. 그래야만 전기 플러그 및 코드 손상의 위험이 줄어듭니다.
- 코드가 밟히거나 걸리거나 기타 원인에 의해 손상되거나 압박을 받지 않도록 유의하십시오.
- 불가피한 경우가 아니면 연장 코드를 사용하지 마십시오. 연장 코드를 잘못 사용하면 화재, 감전 또는 감전사의 위험이 있습니다.
- 충전기 위에 물건을 올려놓거나 부드러운 표면에 충전기를 두면 환기 슬롯이 막혀 내부가 과열될 수 있습니다. 충전기는 열원에 가까이 두지 마십시오. 충전기는 하우징의 상단과 하단에 있는 슬롯을 통해 환기됩니다.
- 코드나 플러그가 손상된 충전기를 작동시키지 마십시오 — 즉시 교체하십시오.
- 심한 충격을 받았거나 떨어뜨렸거나 어떠한 식으로든 손상된 경우에는 충전기를 작동시키지 마십시오. 공인 서비스 센터로 가져가십시오.
- 충전기를 분해하지 마십시오. 서비스가 수리가 필요한 경우에는 공인 서비스 센터로 가져가십시오. 잘못 재조립하면 감전, 감전사 또는 화재의 위험이 있습니다
- 전원 코드가 손상된 경우 사고 방지를 위해 제조업체, 서비스 대리점 또는 이에 준하는 유자격 수리 기술자를 통해 즉시 교체하십시오.
- 청소하려면 먼저 충전기를 콘센트에서 분리하십시오. 그래야 감전 위험이 줄어듭니다. 배터리 팩을 제거하는 것만으로 이러한 위험이 줄어들지는 않습니다.
- 절대로 충전기 두 개를 함께 연결하지 마십시오.
- 충전기는 가정용 표준 전력(220~240V)으로 작동하도록 설계되어 있습니다. 다른 전압에서는 사용하지 마십시오. 차량용 충전기는 제외됩니다.

배터리 충전(그림 B)

1. 배터리 팩을 끼우기 전에 충전기를 적절한 콘센트에 꽂습니다.
2. 충전기에 배터리 팩  을 끼우고 배터리 팩이 완벽히 장착되었는지 확인하십시오. 빨간색(충전 중) 표시등이 반복해서 깜빡이면서 충전 프로세스가 시작되었음을 알립니다.

3. 충전이 완료되면 빨간색 불이 계속 켜져 있습니다. 배터리 팩이 완전히 충전되면 바로 사용하거나 충전기에 그대로 둡니다. 배터리 팩을 충전기에서 분리하려면, 배터리 팩에 있는 배터리 탈착 버튼  을 누릅니다.

참고: 리튬이온 배터리 팩의 성능과 수명을 극대화하려면 처음 사용하기 전에 배터리 팩을 완전히 충전시키십시오.

충전기 작동

배터리 팩의 충전 상태는 아래 표시등을 참조하십시오.

충전 표시등

	충전 중	
	완전 충전됨	
	냉/은 팩 지연*	

*빨간색 표시등이 계속 깜빡거리지만, 노란색 표시등은 이 작동 동안 계속 켜져 있습니다. 배터리 팩이 적정 온도에 도달하면, 노란색 표시등이 꺼지고 충전기에서 충전 절차를 다시 시작합니다.

이 호환 충전기는 결함이 있는 배터리 팩은 충전하지 못합니다. 등이 켜지지 않도록 하여 배터리에 결함이 있음을 표시합니다.

참고: 이는 충전기 고장을 의미할 수도 있습니다.

충전기에 문제가 표시되는 경우 충전기와 배터리 팩을 공인 서비스 센터로 가져 가서 테스트를 받아 보십시오.

냉/은 팩 지연

충전기에서 너무 뜨겁거나 차가운 배터리 팩이 감지되면, 냉/은 팩 지연이 자동으로 시작되어 배터리 팩이 적절한 온도가 될 때까지 충전이 중단됩니다. 이 과정이 끝나면 충전기가 자동으로 팩 충전 모드로 전환됩니다. 이 기능은 배터리 팩 수명을 최대한으로 보장하기 위한 것입니다.

차가운 배터리 팩은 따뜻한 배터리 팩보다 더 느린 속도로 충전됩니다. 충전 사이클 전체에 걸쳐 배터리 팩은 이렇게 느린 속도로 충전되며 배터리 팩이 따뜻해지더라도 최대 충전 속도로 복원되지 않습니다. DCB118 충전기에는 배터리 팩을 식히기 위해 설계된 내장 팬이 장착되어 있습니다. 배터리 팩을 식혀야 하면 팬이 자동으로 켜집니다. 팬이 제대로 작동하지 않거나 환기구가 막혀 있을 경우 충전기를 작동하지 마십시오. 이물질이 충전기 내부로 들어가지 않도록 하십시오.

전자 보호 시스템

XR 리튬이온 배터리 팩은 배터리에 과부하가 걸리거나 과열 또는 완전 방전되는 것을 방지하는 전자 보호 시스템으로 설계되었습니다.

이 공구는 전자 보호 시스템이 작동하면 자동으로 꺼집니다. 이러한 경우 리튬 이온 배터리가 완전히 충전될 때까지 충전기에 리튬 이온 배터리 팩을 넣으십시오.

벽 장착

이들 충전기는 테이블 또는 작업 표면에 똑바로 세우거나 벽에 장착할 수 있도록 설계되었습니다. 벽에 장착하는 경우, 충전기는 전기 콘센트에 닿을 수 있는 범위 내에 놓고, 공기 흐름이 방해될 수 있는 코너 또는 기타 장애물로부터 멀리 두십시오. 벽에서 장착 나사의 위치는 견본으로 충전기의 뒤쪽을 사용하십시오. 나사 머리 직경이 7~9 mm인 최소 25.4 mm 길이의 석고보드 나사(별도 구매)를 사용해서 충전기를 단단히 장착하고, 노출된 나사의 약 5.5 mm를 남겨 두고 최적의 길이로 목재에 고정합니다. 충전기 뒤쪽의 구멍을 노출되어 있는 나사에 맞추고 구멍에 완전히 맞물리도록 하십시오.

충전기 청소 지침



경고: 감전 위험. 청소하려면 먼저 충전기를 AC 콘센트에서 분리하십시오. 형광등이나 부드러운 금속 이이 브러시로 충전기 외관 부분에 묻은 먼지 및 기름을 제거할 수 있습니다. 물이나 세제제를 사용하지 마십시오. 공구 내부에 액체를 넣거나 공구 부품을 액체에 담그는 행동은 절대 금물입니다.

배터리 팩

모든 배터리 팩에 대한 중요한 안전 지침

배터리 팩을 교체하기 위해 주둔할 때는 카탈로그 번호와 전압을 반드시 확인하고 표기해야 합니다.

배터리 팩은 포장박스에서 꺼낼 때 완전히 충전된 상태가 아닙니다. 배터리 팩과 충전기를 사용하기 전에 아래 안전 지침을 숙독하십시오. 그런 다음 설명된 충전 절차를 따르십시오.

모든 지시 사항을 읽으십시오.

- **가연성 액체, 가스 또는 먼지 등 폭발 위험이 있는 환경에서 배터리를 충전하거나 사용하지 마십시오.** 배터리를 끼우거나 충전기에서 분리할 때 먼지나 가스에 불이 붙을 수 있습니다.
- **충전기에 배터리 팩을 끼울 때 과도한 힘을 주지 마십시오.** 어떤 형태로든 호환되지 않는 충전기에 사용하기 위해 배터리 팩을 개조하지 마십시오. 배터리 팩이 파열되어 심각한 부상을 유발할 수 있습니다.
- DeWALT 충전기에서만 배터리 팩을 충전하십시오.
- 물이나 기타 액체가 튀어 묻거나 액체에 빠지지 않도록 하십시오.
- **온도가 40 °C (104 °F)를 초과할 수 있는 곳(여름철 허름한 창고 또는 금속 건물 등)에 공구와 배터리 팩을 보관하거나 사용하지 마십시오.**
- **배터리 팩이 심하게 손상되거나 완전히 남아있더라도 절대 소각하지 마십시오.** 배터리 팩은 불 속에서 폭발할 수 있습니다. 리튬이온 배터리는 연소되면서 독성 연기와 물질을 발생시킵니다.
- **배터리 내용물이 피부에 닿으면 즉시 중성 세제제로 해당 부위를 씻으십시오.** 배터리액이 눈에 들어갔을 경우, 15분 정도 또는 통증이 가실 때까지 눈을 뜨고 물로 씻어냅니다. 치료가 필요한 경우를 위해, 배터리 전해질은 액체 유기 탄산염과 리튬염의 혼합물로 구성되어 있음을 알아 두십시오.
- **열린 배터리 셀의 내용물은 호흡기 질환을 일으킬 수 있습니다.** 신선한 공기를 마시십시오. 증상이 계속되면 치료를 받으십시오.



경고: 화재 위험. 배터리액은 불꽃이나 화염에 노출되면 연소될 수 있습니다.



경고: 어떤 이유로든 배터리 팩을 절대 분해하지 마십시오. 배터리 팩 케이스가 깨지거나 손상되면 충전기에 넣지 마십시오. 배터리 팩을 문개거나 떨어뜨리거나 손상시키지 마십시오. 강한 충격을 받았거나, 떨어뜨렸거나, 차에 치였거나 기타의 원인으로 어떤 방식이든 손상된(못이 박히거나 망치로 맞았거나 발힘) 배터리 팩이나 충전기는 사용하지 마십시오. 감전 또는 감전사의 위험이 있습니다. 손상된 배터리 팩은 재활용을 위해 서비스 센터에 반환해야 합니다.



경고: 화재 위험. 배터리 팩을 보관하거나 휴대할 때는 노출된 배터리 단자에 금속 물체가 닿지 않도록 하십시오. 예를 들어, 못, 나사, 키 등이 있는 알치마, 주머니, 도구상자, 제품 키트 상자, 사람 등에 배터리 팩을 두지 마십시오.



주의: 사용하지 않는 공구는 걸려 넘어지거나 떨어질 위험이 없는 안정된 표면에 놓여 두십시오. 배터리 팩이 큰 일부 공구들은 배터리 팩 위에 바로 서 있지만 쉽게 넘어질 수 있습니다.

운반



경고: 화재 위험. 배터리를 운반할 때 배터리 단자가 실수로 전도성 물질과 닿을 경우 화재 위험의 가능성이 있습니다. 배터리를 운반할 경우에는 배터리 단자가 보호되어 있고, 물체에 닿을 경우 단락을 일으킬 수 있는 물체로부터 제대로 절연되어 있는지 확인하십시오.

참고: 리튬이온 배터리는 검사된 수화물에 넣어야 합니다.

DeWALT 배터리는 위험물운송규칙(Transport of Dangerous Goods), IATA (International Air Transport Association, 국제 항공 운송 협회) 위험물 규정, IMDG (International Maritime Dangerous Goods, 국제해상위험물운송) 규정 및 위험물 도로운송에 관한 ECE의 규칙 (European Agreement Concerning The International Carriage of Dangerous Goods by Road, ADR)에 대한 UN 권고사항을 포함하여, 산업 및 법적 기준에 의한 규정에 따라 모든 해당 운송 규정을 준수하고 있습니다. 리튬 이온 전지 및 배터리는 위험 화물 테스트 및 기준 설명서에 대한 UN 권고 38.3항에 따라 테스트되었습니다.

대개의 경우, DeWALT 배터리 팩 해상 운송은 완전 규제를 받는 Class 9 위험 물질로 분류되는 것에서 제외됩니다. 일반적으로, 에너지효율 등급이 100 와트시(Wh)보다 큰 리튬 이온 배터리를 포함하는 수송품만 완전 규제를 받는 Class 9에 따라 수송되어야 합니다. 모든 리튬 이온 배터리에는 팩에 와트시 등급이 표시되어 있습니다. 뿐만 아니라, 규정의 복잡성으로 인해 DeWALT는 와트 시 등급에 상관 없이 항공 운송 리튬 이온 배터리 팩을 단독으로 권장하지 않습니다. 배터리 팩의 와트시 등급이 100 Whr 보다 크지 않을 경우는 제외됨으로 배터리(공보 키트)가 포함된 공구의 수송품물 항공 운송할 수 있습니다.

수송품이 예외로 고려되든지 또는 완전 규제를 받든지 상관없이, 포장, 라벨링/표시 및 문서 요건에 관한 최신 규정을 참고하는 것은 운송 회사의 책임입니다.

설명서의 본 색션에서 제공하는 정보는 신념을 갖고 제공되며 문서가 작성될 당시에는 정확한 것으로 간주됩니다. 단, 보증은 명시적이거나 함축적으로 제공되지 않습니다. 활동 시 해당 규정을 준수하는 것은 구매자의 책임입니다.

FLEXVOLT™ 배터리 운반

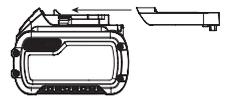
DeWALT FLEXVOLT™ 배터리에는 두 개의 모드, 즉 **사용 및 운반**이 있습니다.

사용 모드: FLEXVOLT™ 배터리는 독립되어 있거나 DeWALT 18V (20V Max) 제품 안에 있을 경우 18V (20V Max) 배터리로 작동됩니다. FLEXVOLT™ 배터리는 54V (60V Max) 또는 108V (120V Max) (두 개의 54V (60V Max) 배터리) 제품이면, 54V (60V Max) 배터리로 작동됩니다.

운반 모드: 캡이 FLEXVOLT™ 배터리에 장착되어 있으면, 배터리는 운반 모드에 있는 것입니다. 운반 시 캡을 유지하십시오.

운반 모드에 있을 때, 더 높은 와트시 등급의 배터리 1개에 비해 더 낮은 와트시(Wh) 등급의 배터리 3개가 되는 팩 내에서 일련의 셀은 전기 연결이 끊어져 있습니다. 와트시 등급이 더 낮은 이 증가된 배터리 3개 수량은 더 높은 와트시 배터리에 부과되는 특정 수송 규정에서 팩을 면제시킬 수 있습니다.

예를 들어, 운반 Wh 정격은 3 x 36 Wh를 나타내며, 각 36 Wh 배터리 3개를 의미합니다. 사용 Wh 정격은 108 Wh를 나타낼 수 있습니다(1개 배터리 포함).



사용 및 운반 라벨 표시의 예

Use: 108 Wh
Transport: 3x36 Wh

보관 권장 사항

- 보관 장소로는 직사광선을 받지 않고 지나치게 덥거나 춥지 않은 시원하고 건조한 곳이 가장 좋습니다. 최적의 배터리 성능과 수명을 위해, 사용하지 않을 때에는 배터리 팩을 실온에서 보관하십시오.
- 장기간 보관하는 경우, 최적의 결과를 위해 완전히 충전된 배터리 팩을 충전기에서 분리하여 차갑고, 건조한 장소에 보관하는 것이 좋습니다.

참고: 배터리 팩은 완전히 방전된 상태로 보관해서는 안됩니다. 사용 전에 배터리 팩을 재충전해야 합니다.

충전기 및 배터리 팩에 부착된 라벨

본 설명서에 사용된 그림 외에도 충전기 및 배터리 팩에 부착된 레이블에는 다음과 같은 그림이 표시되어 있습니다.



사용 전에 사용 설명서의 내용을 숙지하십시오.



충전 시간은 **기술 데이터**를 참조하십시오.



전도성 있는 물체로 시험하지 마십시오.



손상된 배터리 팩을 충전하지 마십시오.



물에 닿지 않도록 하십시오.



손상된 코드는 즉시 교체하십시오.



4°C ~ 40°C 사이에서만 충전하십시오.



실내 전용.



환경 보호 차원에서 배터리 팩을 폐기하십시오.

LI-ION



지정된 DeWALT 충전기로만 DeWALT 배터리 팩을 충전하십시오. DeWALT 충전기에 지정된 DeWALT 배터리 이외의 배터리 팩을 충전하면 폭발하여 다른 위험한 상황으로 이어질 수 있습니다.



배터리 팩을 소각하지 마십시오.



사용(운반 캡 미포함). 예: Wh 정격은 108 Wh를 나타냅니다(108 Wh 배터리 1개).



운반(내장 운반 캡 포함). 예: Wh 정격은 3 x 36 Wh (36 Wh 배터리 3개)를 나타냅니다.

배터리 유형

DCD708/DCD709은 18V (20V Max) 배터리 팩으로 작동됩니다.

이러한 배터리 팩은 다음을 사용할 수 있습니다. DCB181, DCB182, DCB183, DCB184, DCB185, DCB187, DCB189, DCB203, DCB204,

DCB205, DCB546, DCB547, DCB548, DCB606, DCB609, DCB612, DCBP034. 자세한 정보는 **기술 데이터**를 참조하십시오.

포장 내용물

포장에는 다음 내용물이 들어 있습니다.

- 본체
- 충전기 (배어를 제외)
- 벨트 후크
- 마그네틱 비트 홀더
- 리튬 이온 배터리 팩(C1, D1, E1, L1, M1, P1, S1, T1, X1, Y1 모델)
- 리튬 이온 배터리 팩(C2, D2, E2, L2, M2, P2, S2, T2, X2, Y2 모델)
- 리튬 이온 배터리 팩(C3, D3, E3, L3, M3, P3, S3, T3, X3, Y3 모델)
- 사용 설명서
 - 운반 중에 발생할 수 있는 공구, 부품 또는 액세서리의 손상 여부를 확인하십시오.
 - 작동 전에 시간을 내어 본 사용 설명서를 읽고 숙지하십시오.

공구에 표시된 마크

공구에는 다음과 같은 그림이 있습니다.



사용 전에 사용 설명서의 내용을 숙지하십시오.



귀 보호 장구를 착용하십시오.



보안경을 착용하십시오.



가시 방사선이므로, 쳐다보지 마십시오.

날짜 코드 위치(그림 A)

날짜 코드 **14** 에는, 제조년도가 포함되어 이 제조년도는 케이스에 인쇄되어 있습니다.

예:

2022 XX XX

제조년도

설명(그림 A)



경고: 전동 공구 또는 전동 공구의 어떤 부품도 절대 개조하지 마십시오. 제품이 파손되거나 신체 부상을 당할 수도 있습니다.

- 배터리 팩
- 배터리 팩 탈착 버튼
- 주 핸들
- 가변 속도 트리거
- 전진/후진 제어 버튼
- 모드 선택 칼라
- 속도 선택기
- 작업등
- 척 슬리브
- 키리스 척
- 벨트 후크(일부 모델에 포함되어 있음)
- 나사

- 13 마그네틱 비트 홀더(일부 모델에 포함되어 있음)
- 14 날짜 코드

용도

본 드릴 드라이버/햄머드릴은 나사를 조이거나 전문가용 드릴, 진동 드릴 작업용으로 설계되었습니다.

습한 환경이나 가연성 액체 또는 가스가 있는 장소에서 사용하지 **마십시오**.

본 드릴/드라이버/햄머 드릴은 전문가용 공구입니다.

어린이가 이 공구를 만지지 **않도록 하십시오**. 경험이 없는 작업자가 이 공구를 사용할 때는 감독자의 지도가 필요합니다.

- **어린이 및 노약자**. 본 제품은 어린이나 노약자가 사용하도록 설계되지 않았습니다. 이러한 사람이 사용할 때는 감독이 필요합니다.
- 본 제품은 안전 책임을 맡고 있는 사람이 감독을 하고 있지 않는 한 경험, 지식 또는 기술이 부족하고 신체적, 감각적 또는 정신적 능력이 미약한 사람(어린이 포함)이 사용하도록 고안된 것이 아닙니다. 이 제품과 함께 어린이만 혼자 두어서는 안됩니다.

조립 및 조정

 **경고: 심각한 신체 부상의 위험을 줄이려면 공구를 조정하거나 부속을 또는 액세서리를 제거/설치하기 전에 공구를 끄고 배터리를 제거하십시오.** 공구가 갑자기 작동하여 부상을 당할 수 있습니다.

 **경고: DeWALT 배터리의 팩과 충전기만 사용하십시오.**

배터리 팩 삽입 및 공구에서 배터리 팩 분리 (그림 B)

참고: 배터리 팩 1 이 완전히 충전되었는지 확인하십시오.

배터리 팩을 공구 핸들에 설치하려면

1. 공구 핸들 안쪽의 레일에 배터리 팩 1 을 맞춥니다(그림 B).
2. 공구에 배터리 팩이 견고하게 장착될 때까지 핸들에 밀어 넣고 딸깍하고 잠기는 소리가 들리는지 확인하십시오.

공구에서 배터리 팩을 분리하려면

1. 탈착 버튼 2 을 누르고 배터리 팩을 공구 핸들에서 완전히 빼냅니다.
2. 본 사용 설명서의 충전기 섹션에 설명된 대로 배터리 팩을 충전기에 삽입합니다.

잔량표시계 배터리 팩(그림 B)

일부 DeWALT 배터리 팩에는 배터리 팩의 남아 있는 충전 레벨을 표시하는 세 개의 녹색 LED 등으로 구성된 연료계가 포함되어 있습니다.

연료계를 작동시키려면, 잔량표시계 버튼을 누릅니다. 녹색 LED 표시등 3개가 조합되어 커짐으로써 충전 잔량 수준을 나타냅니다. 배터리 잔량이 사용 가능한 한계치 미만이면 배터리 잔량표시계가 켜지지 않으며 배터리를 재충전해야 합니다.

참고: 연료계는 배터리 팩에 남아 있는 충전 레벨을 나타내는 것일 뿐입니다. 공구의 기능성을 나타내는 것이 아니며 제품 구성품, 온도 및 최종 사용자의 용도에 따라 변경될 수 있습니다.

벨트 후크 및 마그네틱 비트 홀더(그림 A) (선택 액세서리)

 **경고: 심각한 부상의 위험을 줄이려면, 벨트 후크에서 파열된 공구 또는 물건을 매달지 마십시오.** 작업 벨트에서 공구의 벨트 후크로만 거십시오.

 **경고: 심각한 부상의 위험을 줄이려면, 벨트 후크를 고정하는 나사가 고정되었는지 확인하십시오.**

중요: 벨트 후크 또는 마그네틱 비트 홀더를 부착하거나 교체할 때 제공된 나사만 사용하십시오. 나사를 단단히 고정하십시오.

왼손 또는 오른손잡이 사용자에 맞게 제공된 나사 12 를 사용하여 벨트 후크 11 및 마그네틱 비트 홀더 13 를 공구 양쪽에 장착할 수 있습니다. 후크 또는 마그네틱 비트 홀더가 전혀 필요하지 않을 경우 공구에서 제거할 수 있습니다.

벨트 후크 또는 마그네틱 비트 홀더를 이동하려면 고정하고 있는 나사 12 를 제거하고 반대쪽에 다시 장착합니다. 나사를 단단히 고정하십시오.

키리스 척에 비트 또는 액세서리 설치하기 (그림 D)

 **경고: 척의 앞부분을 잡고 공구를 커서 드릴 비트(또는 기타 액세서리)를 조이려고 시도하지 마십시오.** 척이 손상되거나 신체 부상을 초래할 수 있습니다. 액세서리를 변경할 때는 항상 트리거 스위치를 잠그고 전원에서 공구 플러그를 빼십시오.

 **경고: 공구를 시작하기 전에 항상 비트가 고정되어 있는지 확인하십시오.** 비트가 느슨하면 공구에서 빠져 신체 부상을 초래할 수 있습니다.

본 공구에는 키리스 척 10 이 사용되며 척을 한 손으로 작동시킬 수 있게 단일 회전 슬리브 9 가 제공됩니다. 드릴 비트 또는 기타 액세서리를 삽입하려면 다음 단계를 따르십시오.

1. 공구를 끄고 배터리 팩을 제거합니다.
2. 한 손으로 척의 검은색 슬리브를 잡고 다른 손으로 사용해서 공구를 고정합니다. 원하는 액세서리를 포함할 수 있을 만큼 슬리브를 시계 반대 방향으로 크게 회전시킵니다.
3. 한 손으로 공구를 잡으면서 다른 손으로 척 슬리브를 시계 방향으로 회전시켜 액세서리를 척으로 19 mm 정도 삽입하고 단단하게 조입니다. 공구에는 자동 스펀들 잠금 기체가 장착되어 있습니다. 이를 통해 한 손으로 척을 열고 닫을 수 있습니다.

척 슬리브에서 한 손으로 척을 조이고 다른 손으로 공구를 잡아 최대한 조이십시오.

액세서리를 풀려면 위의 1단계와 2단계를 반복하십시오.

속도 선택(그림 A)

공구에는 다양한 기능을 위해 2개의 속도 설정 기능이 있습니다.

참고: 공구가 작동 중일 때는 속도를 변경하지 마십시오. 속도를 변경하기 전에 항상 공구가 완전히 멈추었는지 확인하십시오.

1. 속도 1을 선택하려면(높은 토크 설정값) 공구를 꺼서 멈추게 합니다. 속도 선택기 7 를 뒤로 밀니다(척에서 멀리).
2. 속도 2를 선택하려면(낮은 토크 설정값) 공구를 꺼서 멈추게 합니다. 속도 선택기 7 를 앞으로 밀니다(척 쪽으로).

공구 속도가 변경되지 않는 경우, 속도 선택 스위치가 완전히 앞쪽 또는 뒤쪽 위치로 작동되었는지 확인하십시오.

모드 선택(그림 A)

모드 선택 칼라 6 는 계획된 작업에 따라 정확한 작동 모드를 선택할 때 사용할 수 있습니다.

선택하려면, 원하는 기호가 화살표와 맞을 때까지 칼라를 돌립니다.

기호	모드
	드릴 작업
1-15	나사 조이기(높은 숫자 = 높은 토크)



햄머드릴(DCD709만 해당)

가변 속도 트리거 및 전진/후진 제어 버튼 (그림 A, E)

가변 속도 트리거 4 를 당겼다 놓으면 드릴이 켜졌다 꺼집니다. 트리거를 강하게 당길수록 드릴 속도는 높아집니다. 공구에는 브레이크가 장착되어 있습니다. 트리거 스위치가 완전히 해제되는 즉시 척은 중지됩니다.

전진/후진 제어 버튼 5 은 공구의 회전 방향을 결정하며 락오프 버튼 역할도 합니다.

- 전진 회전을 선택하려면 트리거를 놓고 공구 오른쪽에 있는 전진/후진 제어 버튼을 눌러줍니다.
- 후진을 선택하려면 공구 왼쪽에서 전진/후진 제어 버튼을 눌러줍니다.

참고: 제어 버튼이 중앙에 있으면 공구가 꺼진 상태로 잠기게 됩니다. 제어 버튼의 위치를 변경할 때는 반드시 트리거를 놓아야 합니다.

참고: 가변 속도 범위의 지속적 사용은 권장되지 않습니다. 지속적 사용은 스위치를 손상시킬 수 있으므로 피해야 합니다.

참고: 회전 방향을 변경한 후 처음으로 공구를 실행하면 작동 시 '짹' 소리가 들립니다. 이는 정상적 현상이며 고장이 아닙니다.

조작

사용 지침



경고: 안전 지시 사항과 해당 규정을 항상 준수하십시오.



경고: 심각한 신체 부상의 위험을 줄이려면 공구를 조정하거나 부착물 또는 액세서리를 제거/설치하기 전에 공구를 끄고 배터리 팩을 제거하십시오. 공구가 갑자기 작동하여 부상을 당할 수 있습니다.

올바른 손의 위치(그림 C)



경고: 심각한 신체 부상의 위험을 줄이려면 항상 그림과 같이 올바른 손을 위치하십시오.



경고: 심각한 신체 부상의 위험을 줄이려면, 항상 급작스러운 반응을 예상하고 확실하게 잡으십시오.

올바른 손의 위치가 되려면 한 손은 주 핸들 3 을 잡고, 다른 손은 배터리 팩을 잡습니다.

작업등(그림 A)

작업등 8 은 공구 아래쪽에 있습니다. 작업등은 트리거 스위치를 누르면 작동됩니다. 트리거를 놓으면 작업등이 최대 20초 동안 점등되어 있습니다.

참고: 작업등은 인접한 작업대를 비추기 위한 것이며 손전등으로 사용하기 위한 것이 아닙니다.

적용(그림 A, D)



경고: 신체 부상의 위험을 줄이려면 항상 작업물이 앵커나 클램프로 단단히 고정되어 있는지 확인하십시오.



경고: 회전 방향을 바꾸기 전에 항상 모터가 완전히 멈출 때까지 기다리십시오.

작업을 수행하기 전에:

- 속도 선택기 7 를 설정합니다. 속도 선택을 참조하십시오.

- 적절한 비트 또는 액세서리를 척에 설치합니다. **키리스 척에 비트 또는 액세서리 설치하기**를 참조하십시오.



경고:

- 쉽게 타거나 폭발성이 있는 액체(벤젠, 알코올 등)를 섞거나 주입하는 데 이 공구를 사용하지 마십시오.
- 따라서 라벨에 표시된 인화성 액체를 혼합하거나 섞지 마십시오.

나사 조이기

공구에는 다양한 모양과 크기의 잠금장치를 조이거나 제거하기 위한 조절식 토크 클러치가 갖추어져 있습니다. 모드 선택 칼라 6 의 숫자는 나사를 조일 때 토크 범위를 설정하는 데 사용됩니다. 칼라 숫자가 높을수록 조일 수 있는 잠금장치와 토크 수치도 높아집니다.

- 모드 선택 칼라 6 를 원하는 위치로 돌립니다. **모드 선택**을 참조하십시오.
- 패스너가 작업물에서 원하는 깊이에 도달할 때까지 비트와 직선을 이룬 상태로 압력을 가하면서 트리거 스위치를 당깁니다.

나사 조이기에 대한 권장 사항

- 낮은 토크 설정부터 시작한 후 더 높은 토크 설정으로 진행하여 작업을 또는 잠금장치가 손상되지 않도록 하십시오.
- 모드 선택 칼라의 적절한 위치를 결정하려면 작업물의 조각 또는 보이지 않는 영역에서 실제로 몇 번 실행해 보십시오.

드릴 작업

- 모드 선택 칼라 6 를 드릴 기호로 돌립니다. **모드 선택**을 참조하십시오.

- 드릴 비트를 작업물과 닿도록 놓습니다.

참고: 날카로운 드릴 비트만 사용하십시오.

- 원하는 깊이에 도달할 때까지 비트와 일직선을 이룬 상태에서 압력을 가하면서 트리거를 당깁니다.



경고: 과부하되어 급작스럽게 휘면 드릴이 고착될 수 있습니다. 항상 시동 꺼짐을 예상하십시오. 드릴을 단단히 잡아서 휘는 작용을 제어하고 부상을 당하지 않도록 주의하십시오.

- 걸림을 방지하려면 톨린 구멍 밖으로 비트를 빼낼 때 모터를 가동 상태로 유지하십시오.

드릴 작업 시 권장 사항

- 드릴할 때 항상 비트에 직선으로 압력을 가하십시오. 단 모터가 정지하거나 비트가 변형될 정도로 강한 압력을 가하지 마십시오
- 드릴이 고착되는 경우:**
 - 트리거 스위치를 즉시 놓고, 작업 대상물로부터 드릴 비트를 제거한 다음 회전을 멈춘 원인을 해결하십시오.
 - 회전이 멈춘 드릴을 다시 작동시키기 위해 트리거 스위치를 당기고 놓는 동작을 취하지 마십시오. 드릴 손상의 원인이 됩니다.
 - 엔진 정지 또는 재료를 뚫고 나가는 것을 최소화하려면, 드릴에 가하는 압력을 줄이고 비트가 구멍의 최종 적은 부분을 쉽게 통과하도록 합니다.
- 예비 구멍(4 mm ~ 4.8 mm)이 먼저 뚫려 있는 경우 스틸에 큰 구멍(7.9 mm ~ 12.7 mm)을 내는 것이 더 쉬울 수 있습니다.
- 얇은 자재 또는 쪼개지기 쉬운 드릴 작업을 하는 경우에는 작업물이 손상되지 않도록 "반침목"을 사용하십시오.

햄머드릴 작업



경고: 적절한 호흡기 보호 장구를 착용하십시오 해당 용도에 맞게 설계된 진공청소기 또는 집진 장치로 진어 먼지를 수집합니다.

DCD709만 해당

중요: 진동 드릴 작업용 카바이트팁 톨니 또는 석재 비트만 사용하십시오.

1. 속도와 토크를 계획된 작업과 일치시키려면 속도 선택기 ⑦를 사용하여 원하는 속도/토크 범위를 선택하십시오. 모드 선택 칼라 ⑥를 햄머드릴 기호로 돌립니다.
2. 햄머가 과도하게 튀거나 비트에서 빠져 "올라가지" 않도록 충분한 압력을 가하면서 트리거를 당깁니다.

햄머드릴 작업 시 권장 사항

- 힘을 너무 주게 되면 드릴 속도가 느려지거나 과열이 발생할 수 있습니다.
- 재료가 균일하고 부드럽게 빠져나오면 드릴 속도가 적당한 것입니다.
- 비트가 올바른 각도로 작업되도록 똑바로 드릴하십시오. 드릴 작업 시에는 비트에 사이드 압력을 가하지 마십시오. 비트의 나선형 홈이 막히거나 드릴 속도가 느려질 수 있습니다.
- 구멍을 깊게 드릴할 때 햄머 속도가 떨어지기 시작하면 아직 작동 중인 공구를 사용하여 구멍 밖으로 비트를 일부 빼내어 구멍 안에 먼지가 쌓이지 않도록 하십시오.

유지 보수

DEWALT 전동 공구는 최소한의 유지 보수로 장기간에 걸쳐 작업이 가능하도록 설계되어 있습니다. 만족스러운 연속 작동은 적절한 공구 관리와 정기적인 청소에 따라 그 성능이 달라질 수 있습니다.

 **경고: 심각한 신체 부상의 위험을 줄이려면 공구를 조정하거나 부착물 또는 액세서리를 제거/설치하기 전에 공구를 끄고 배터리 팩을 제거하십시오.** 공구가 갑자기 작동하여 부상을 당할 수 있습니다.

충전기 및 배터리 팩은 수리할 수 없습니다.



유행방법

전동 공구는 별도의 유행 작업이 필요하지 않습니다.



청소

 **경고:** 통풍구 속이나 주변에 먼지가 쌓여있는 것이 보이면 가능한 한 자주 건조한 공기를 이용하여 몸체에서 먼지를 불어내십시오. 이 절차를 수행할 때에는 승인된 눈 보호 장구 및 승인된 방진 마스크를 착용하십시오.

 **경고:** 공구의 금속 이와 부품을 청소할 때는 용제 등의 강력한 화학약품을 절대 사용하지 마십시오. 그렇지 않으면 이러한 부분이 사용된 재료가 약해질 수 있습니다. 횡건에 불과 순한 비누를 적셔 닦아주십시오. 공구 내부에 액체를 넣거나 공구 부품을 액체에 담그는 행동은 절대 금물입니다.

선택 액세서리

 **경고:** DEWALT에서 제공하지 않은 액세서리는 본 제품에서 테스트되지 않았으므로 본 제품에서 이러한 액세서리를 사용하면 위험할 수 있습니다. 신체 부상의 위험을 줄이려면 본 제품에 맞맞은 액세서리만 사용해야 합니다.

해당 액세서리에 대한 자세한 정보는 판매 대리점으로 문의하십시오.

환경 보호



분리 수거. 이 기호가 표시된 제품과 배터리를 일반 가정용 쓰레기와 함께 처리하면 안 됩니다.

제품과 배터리에는 재활용되거나 재사용되고 고철 자원에 대한 수요를 줄일 수 있는 자재가 포함되어 있습니다. 전기 제품과 배터리는 지역 규정에 따라 재활용하십시오. 자세한 내용은 www.2helpU.com에서 찾아 볼 수 있습니다.

충전용 배터리 팩

이전에 쉽게 수행했던 작업에 대해 충분한 힘을 발휘하지 못하는 배터리 팩은 재충전해야 합니다. 배터리 수명이 다하면 환경 보호 차원에서 배터리 팩을 폐기하십시오.

- 배터리 팩을 완전히 사용하고 난 후 공구에서 분리하십시오.
- 리튬이온 셀은 재활용할 수 있습니다. 이 전지를 판매점이나 지역 재활용 센터로 가져가십시오. 수집된 배터리 팩은 재활용되거나 적절히 폐기됩니다.

정비 및 수리

DEWALT는 고객들에게 가장 효율적이고 신뢰할 수 있는 서비스를 제공하기 위하여 훈련된 직원들로 센터를 구성하고 있습니다. 사용자의 안전 및 제품의 신뢰성을 보장하기 위하여 제품의 정비, 유지 보수 및 수리는 반드시 공인된 서비스센터에서 수행 해야 합니다. 자력이 없는 곳으로부터 받은 제품의 정비 및 수리는 사용자의 부상 위험 및 불이익을 초래할 수 있습니다. 가까운 DEWALT 서비스센터의 위치를 알아보려면, 제품과 함께 동봉된 전단을 통해 전화번호, 홈페이지 주소 및 기타 연락처 등을 확인 할 수 있습니다.

สว่าน/ไขควง/สว่านเจาะกระแทกแบบไร้สายขนาด 13 มม. รุ่น DCD708, DCD709

ขอแสดงความยินดี!

คุณได้เลือกใช้เครื่องมือของ DEWALT ด้วยประสบการณ์หลายปีที่ผ่านมาในการพัฒนาผลิตภัณฑ์และนวัตกรรมใหม่ๆ ทำให้ DEWALT เป็นหนึ่งในเครื่องมือไฟฟ้าที่น่าเชื่อถือที่สุดสำหรับผู้ใช้เครื่องมือไฟฟ้าระดับมืออาชีพ

ข้อมูลด้านเทคนิค

		DCD708	DCD709
แรงดันไฟฟ้า	โวลต์ _{DC}	18 (สูงสุด 20)	18 (สูงสุด 20)
ชนิดของแบตเตอรี่		Li-Ion	Li-Ion
กำลังไฟออก	วัตต์	340	340
ความเร็วขณะไม่มีโหลด			
เกียร์ 1	รอบต่อนาที	0-450	0-450
เกียร์ 2	รอบต่อนาที	0-1650	0-1650
ครั้งต่อนาที			
เกียร์ 1		-	0-7650
เกียร์ 2		-	0-28050
สูงสุด แรงบิด (แข็ง/อ่อน)	นิวตันเมตร	65/26	65/26
ขนาดตัวจับดอกไขควง	มม.	1.5-13	1.5-13
ขนาด การเจาะ สูงสุด			
ไม้	มม.	30	30
โลหะ	มม.	13	13
หิน/อิฐ	มม.	-	13
น้ำหนัก (ไม่รวมชุดแบตเตอรี่)	กก.	1.10	1.20

ระดับของการปล่อยแรงสั่นสะเทือนที่ระบุในเอกสารข้อมูลนี้ได้รับการตรวจวัดตามมาตรฐานการทดสอบใน IEC60335 และอาจนำมาใช้เพื่อเปรียบเทียบเครื่องมือชนิดหนึ่งกับ

เครื่องมืออีกชนิดหนึ่ง หรืออาจนำมาใช้สำหรับการประเมินผลเบื้องต้นของการสั่นสะเทือนก็ได้



คำเตือน: ระดับของการปล่อยแรงสั่นสะเทือนที่ระบุไว้ แสดงถึงการใช้งานหลักๆ ของเครื่องมือ อย่างไรก็ตาม หากใช้เครื่องมือกับการใช้งานอื่นๆ ร่วมกับอุปกรณ์เสริมชนิดอื่น หรือเครื่องมืออยู่ในสภาพที่ขาดการดูแล ระดับการปล่อยแรงสั่นสะเทือนอาจแตกต่างกันไปจากค่าที่ระบุ เนื่องจากอาจส่งผลให้ระดับการสั่นสะเทือนเพิ่มขึ้นอย่างมากตลอดระยะเวลาการทำงานโดยรวม

ควรนำค่าระดับการสั่นสะเทือนที่แสดงอยู่ในขณะปิดสวิตช์เครื่องมือ หรือเมื่อปล่อยให้เครื่องมือทำงานแต่ไม่ได้ใช้งานใดๆ มาใช้ในการประเมินค่าด้วย เนื่องจากอาจส่งผลให้ระดับการสั่นสะเทือนลดลงอย่างมากสำหรับระยะเวลาการทำงานโดยรวม

ศึกษาเพิ่มเติมถึงมาตรการรักษาความปลอดภัยทั้งหมดนี้เพื่อป้องกันผู้ปฏิบัติงานจากผลกระทบของแรงสั่นสะเทือน เช่น บำรุงรักษาเครื่องมือและอุปกรณ์เสริม ทำให้มืออุ่น วางแผนการทำงานอย่างเป็นระบบ



คำเตือน: เพื่อลดความเสี่ยงจากการบาดเจ็บ โปรดอ่านคู่มือการใช้งานเล่มนี้

คำจำกัดความ: ข้อแนะนำด้านความปลอดภัย

คำจำกัดความด้านล่างอธิบายถึงระดับความรุนแรงของค่าแต่ละค่าที่ใช้เรียกสัญลักษณ์ต่างๆ โปรดอ่านคู่มือและทำความเข้าใจกับสัญลักษณ์เหล่านี้

แบตเตอรี่				เครื่องชาร์จ/เวลาชาร์จไฟ (นาที)							
หมายเลขรุ่น	V _{DC}	Ah	น้ำหนัก (กก.)	DCB104	DCB107	DCB112	DCB115	DCB117	DCB118	DCB132	DCB1112
DCB546/DCB606	18/54 (20/60 Max)	6.0/2.0	1.08	60	270	170	90	40	60	90	40
DCB547/DCB609	18/54 (20/60 Max)	9.0/3.0	1.46	75*	420	270	135*	60	75*	135*	60
DCB548/DCB612	18/54 (20/60 Max)	12.0/4.0	1.46	120	540	350	180	80	120	180	80
DCB549/DCB615	18/54 (20/60 Max)	15.0/5.0	2.12	125	730	450	230	90	125	230	90
DCB181	18 (20 Max)	1.5	0.35	22	70	45	22	22	22	22	22
DCB182/DCB204	18 (20 Max)	4.0	0.61	60/40**	185	120	60	60/40**	60/40**	60	60/40**
DCB183/DCB203	18 (20 Max)	2.0	0.40	30	90	60	30	30	30	30	30
DCB184/DCB205	18 (20 Max)	5.0	0.62	75/50**	240	150	75	75/50**	75/50**	75	75/50**
DCB185	18 (20 Max)	1.3	0.35	22	60	40	22	22	22	22	22
DCB187	18 (20 Max)	3.0	0.54	45	140	90	45	45	45	45	45
DCB189/DCB240	18 (20 Max)	4.0	0.54	60	185	120	60	60	60	60	60
DCB186	18 (20 Max)	6.0	0.95	60	270	170	90	60	60	90	60
DCBP034	18 (20 Max)	1.7	0.32	27	82	50	27	27	27	27	27



อันตราย: หมายถึงสถานการณ์ที่ก่อให้เกิดอันตรายได้อย่างฉับพลัน ซึ่งหากไม่ระวังจะทำให้เสียชีวิตหรือได้รับบาดเจ็บสาหัสได้



คำเตือน: หมายถึงสถานการณ์ที่มีแนวโน้มว่าจะก่อให้เกิดอันตราย ซึ่งหากไม่ระวังสามารถทำให้เกิดอันตรายถึงชีวิตหรือบาดเจ็บสาหัสได้



ข้อควรระวัง: หมายถึงสถานการณ์ที่มีแนวโน้มว่าจะก่อให้เกิดอันตราย ซึ่งถ้าไม่ระวัง อาจทำให้ได้รับบาดเจ็บเล็กน้อยหรือปานกลาง



หมายเหตุ: หมายถึงการปฏิบัติ ที่ไม่เกี่ยวข้องกับการบาดเจ็บส่วนบุคคล ซึ่งหากไม่ระวัง อาจทำให้ทรัพย์สินเสียหาย



แสดงถึงอันตรายจากการถูกไฟฟ้าช็อต



แสดงถึงอันตรายจากการเกิดเพลิงไหม้

คำเตือนเพื่อความปลอดภัยทั่วไปสำหรับการใช้เครื่องมือไฟฟ้า



คำเตือน: อ่านคำเตือน ข้อปฏิบัติเพื่อความปลอดภัยทั้งหมด รวมทั้งภาพประกอบและข้อมูลจำเพาะที่ใหม่กับเครื่องมือไฟฟ้านี้ การไม่ปฏิบัติตามคำเตือนและข้อปฏิบัติเหล่านี้ อาจทำให้เกิดไฟฟ้าช็อต เกิดอัคคีภัย และ/หรือบาดเจ็บสาหัสได้

จัดเก็บเอกสารคำเตือนและคำแนะนำทั้งหมดไว้เพื่อการอ้างอิงในภายหลัง

คำว่า "เครื่องมือไฟฟ้า" ในคำเตือน หมายถึงเครื่องมือไฟฟ้า (แบบมีสาย) ที่ทำงานผ่านแหล่งจ่ายไฟหลัก หรือเครื่องมือไฟฟ้า (แบบไร้สาย) ที่ทำงานผ่านแบตเตอรี่

1) ความปลอดภัยในบริเวณที่ทำงาน

- ก) รักษาความสะอาดและจัดให้มีแสงสว่างเพียงพอในบริเวณที่ทำงาน บริเวณที่มีดหรือมีของวางระเกะระกะอาจทำให้เกิดอุบัติเหตุได้
- ข) ห้ามใช้เครื่องมือไฟฟ้าในบริเวณที่อาจเกิดการระเบิด เช่น ในสถานที่ที่มีของเหลว แก๊ส หรือฝุ่นละอองที่มีคุณสมบัติไวไฟ เครื่องมือไฟฟ้าจะทำให้เกิดประกายไฟที่อาจทำให้เกิดล่อของไฟหรือเปลวไฟขึ้นได้
- ค) ระวังไม่ให้เด็กเล็กและคนเดินผ่านไปมาเข้าใกล้ในขณะที่ใช้งานเครื่องมือไฟฟ้า สิ่งรบกวนอาจทำให้คุณเสียสมาธิได้

2) ความปลอดภัยทางไฟฟ้า

- ก) ปลั๊กไฟของเครื่องต้องเป็นชนิดเดียวกับตัวรับ ห้ามตัดแปลงปลั๊กไม่ว่าด้วยวิธีใด ห้ามใช้ปลั๊กและเตปเตอรใดๆ กับเครื่องมือไฟฟ้าที่ต่อสายดิน (ลงกราวด์) ปลั๊กที่ไม่มีการตัดแปลงและตัวรับชนิดเดียวกันจะช่วยลดความเสี่ยงจากการเกิดไฟฟ้าช็อต
- ข) หลีกเลี่ยงการสัมผัสพื้นผิวที่ต่อสายดินหรือลงกราวด์ เช่น หม้อน้ำ เตารีดต้ม และตู้เย็น มีความเสี่ยงเพิ่มขึ้นที่จะเกิดไฟฟ้าช็อตหากร่างกายเป็นสื่อเชื่อมต่อลงดินหรือลงกราวด์

- ค) อย่าให้เครื่องมือไฟฟ้าถูกฝนหรืออยู่ในสภาพที่เปียกชื้น น้ำที่เข้าเครื่องมือไฟฟ้าจะเพิ่มความเสี่ยงในการเกิดไฟฟ้าช็อต
- ง) ห้ามใช้สายไฟผิดวัตถุประสงค์ ห้ามใช้สายไฟเพื่อการหิ้ว ดึง หรือถอดปลั๊กเครื่องมือไฟฟ้า เก็บสายไฟให้พ้นจากความร้อน น้ำมัน ของมีคม หรือ ชิ้นส่วนที่กำลังเคลื่อนที่ สายไฟที่ชำรุดหรือพันกันเป็นการเพิ่มความเสี่ยงจากการถูกไฟฟ้าช็อต
- จ) เมื่อใช้เครื่องมือไฟฟ้านอกอาคาร ให้ใช้สายต่อพ่วงที่เหมาะสมสำหรับการใช้งานนอกอาคาร ใช้สายไฟที่เหมาะสมสำหรับใช้นอกอาคารจะช่วยลดความเสี่ยงต่อการเกิดไฟฟ้าช็อต
- ฉ) หากไม่สามารถหลีกเลี่ยงการใช้เครื่องมือไฟฟ้าในบริเวณที่ชื้นและได้ ให้ใช้อุปกรณ์ป้องกันไฟดูด (RCD) การใช้ RCD จะช่วยลดความเสี่ยงในการถูกไฟฟ้าช็อต

3) ความปลอดภัยส่วนบุคคล

- ก) ตื่นตัวและมีสมาธิกับสิ่งที่คุณกำลังทำ รวมทั้งใช้สามัญสำนึกในขณะที่กำลังใช้งานเครื่องมือไฟฟ้า ห้ามใช้เครื่องมือไฟฟ้าในขณะที่คุณกำลังเหนื่อยหรือได้รับอิทธิพลจากยา แอลกอฮอล์ หรือการรับประทานยา การขาดความระมัดระวังในการใช้เครื่องมือไฟฟ้าแม้ชั่วขณะหนึ่งอาจทำให้บาดเจ็บสาหัสได้
- ข) ใช้อุปกรณ์คุ้มครองความปลอดภัยส่วนบุคคลสวมอุปกรณ์ป้องกันดวงตาเสมอ อุปกรณ์ป้องกัน เช่น หน้ากากกันฝุ่น รองเท้านิรภัยกันลื่น หมวกนิรภัย หรืออุปกรณ์ป้องกันเสียงดังที่ใช้ในสภาวะที่เหมาะสมจะช่วยลดอาการบาดเจ็บทางร่างกายได้
- ค) ป้องกันเครื่องเปิดทำงานโดยไม่ตั้งใจ สวิตช์ต้องอยู่ในตำแหน่งปิดก่อนที่จะเสียบปลั๊กเข้ากับแหล่งจ่ายไฟ และ/หรือ ชุดแบตเตอรี่ หรือก่อนจะยกหรือหิ้วเครื่องมือ การยกเครื่องมือไฟฟ้าในขณะที่นิ้วอยู่ที่สวิตช์ หรือใช้เครื่องมือไฟฟ้าที่สวิตช์เปิดอยู่ อาจทำให้เกิดอุบัติเหตุได้
- ง) ถอดกุญแจปรับตั้งหรือประแจออกก่อนเปิดสวิตช์เครื่องมือไฟฟ้า ประแจหรือกุญแจที่เสียบค้างอยู่ในชิ้นส่วนที่หมุนได้ของเครื่องมือไฟฟ้าอาจทำให้ได้รับบาดเจ็บได้
- จ) ห้ามยื่นแขนขาขณะใช้เครื่อง ควรรยืนในท่าที่เหมาะสมและสมดุลตลอดเวลา เพื่อช่วยในการควบคุมเครื่องมือไฟฟ้าได้ดียิ่งขึ้นในสถานการณ์ที่ไม่คาดคิด
- ฉ) แต่งกายให้เหมาะสม ห้ามสวมเสื้อผ้าหลวมหรือใส่เครื่องประดับ รวนผมและเสื้อผ้าให้ห่างจากชิ้นส่วนที่กำลังหมุน เสื้อผ้าที่หลวมหรือยาวร่วมเครื่องประดับ หรือผมที่ยาวอาจเข้าไปพันกับชิ้นส่วนที่กำลังหมุน
- ช) หากมีอุปกรณ์สำหรับดูดและเก็บฝุ่น ต้องตรวจสอบให้แน่ใจว่าได้เชื่อมต่อและใช้งานอุปกรณ์นั้นอย่างเหมาะสม การใช้อุปกรณ์เก็บฝุ่นจะช่วยลดอันตรายที่เกี่ยวข้องกับฝุ่นได้
- ซ) อย่าให้ความเคยชินจากการใช้งานทำให้คุณประมาทและละเลยการปฏิบัติตามหลักการเพื่อ

ความปลอดภัย การใช้งานโดยไม่ระมัดระวังทำให้เกิดการบาดเจ็บสาหัสได้ภายในเวลาเพียงเสี้ยววินาที

4) การใช้งานและการดูแลรักษาเครื่องมือไฟฟ้า

- ก) ห้ามฝืนใช้เครื่องมือไฟฟ้า เลือกใช้เครื่องมือไฟฟ้าที่ถูกต้องตรงกับลักษณะการใช้งานของคุณ เครื่องมือไฟฟ้าที่ถูกต้องย่อมทำงานได้ดีกว่า และปลอดภัยกว่า เมื่อใช้งานตามที่คิดที่เครื่องมือได้รับการออกแบบมา
- ข) ห้ามใช้เครื่องมือไฟฟ้าถ้าสวิทช์เปิดปิดเครื่องไม่ทำงาน เครื่องมือไฟฟ้าที่ไม่สามารถควบคุมผ่านสวิทช์ได้ ถือว่ามีอันตรายและต้องส่งซ่อม
- ค) ถอดปลั๊กของเครื่องมือไฟฟ้าออกจากแหล่งจ่ายไฟ และ/หรือเบตเตอร์ หากถอดได้ให้ถอดเบตเตอร์ออกก่อนทำการปรับแต่ง เปลี่ยนอุปกรณ์เสริม หรือจัดเก็บเครื่องมือไฟฟ้า มาตรการเพื่อความปลอดภัยเชิงการป้องกันนี้จะช่วยลดความเสี่ยงในการเผลอเปิดเครื่องไฟฟ้าให้ทำงานโดยไม่ตั้งใจ
- ง) เก็บเครื่องมือไฟฟ้าที่ไม่ได้ใช้งานไว้ในหม้อเด็ก และไมอนุญาตให้บุคคลที่ไม่คุ้นเคยกับเครื่องมือไฟฟ้าหรือคำแนะนำเหล่านี้เป็นผู้ใช้เครื่องมือไฟฟ้าที่จะเป็นอันตรายหากอยู่ในมือผู้ใช้ที่ไม่มีความชำนาญ

จ) บำรุงรักษาเครื่องมือไฟฟ้าและอุปกรณ์เสริมต่างๆ ตรวจสอบว่าชิ้นส่วนที่เคลื่อนที่ใดมีการวางไม่ตรงแนวหรือติดขัดหรือไม่มีชิ้นส่วนที่แตกหัก และสภาพอื่นใดที่อาจส่งผลกระทบต่อการทำงานของเครื่องมือไฟฟ้าหรือไม่ หากชำรุดเสียหาย ให้นำเครื่องมือไปส่งซ่อมก่อนนำมาใช้ อุบัติเหตุจำนวนมากเกิดจากการดูแลรักษาเครื่องมือไฟฟ้าไม่เพียงพอ

ฉ) เครื่องมือตัดตัดคมและสะอาดอยู่เสมอ เครื่องมือตัดที่ได้รับการดูแลรักษาอย่างถูกต้องและมีขอบตัดคมจะมีปัญหาติดขัดน้อย และควบคุมได้ง่ายกว่า

ช) ใช้เครื่องมือไฟฟ้า อุปกรณ์เสริม และดอกสว่านของเครื่องมือ เป็นต้น ให้ตรงตามข้อปฏิบัติเหล่านี้ โดยที่จารณาถึงสภาพการทำงานและงานที่ทำเป็นสำคัญ การใช้เครื่องมือไฟฟ้าทางอื่นนอกเหนือจากที่กำหนดไว้อาจทำให้เกิดอันตรายได้

ซ) ห้ามจับแฉกให้มือจับและพื้นผิวที่จับนั้นแห้ง สะอาด ปราศจากน้ำมันและจาระบี มือจับและผิวสัมผัสที่ลื่นอาจทำให้เกิดการทำงานที่ไม่ปลอดภัยและทำให้ไม่สามารถควบคุมเครื่องมือในสถานการณ์คับขันได้อย่างถูกต้อง

5) การใช้และการดูแลรักษาเบตเตอร์

ก) ชาร์จเบตเตอร์ด้วยเครื่องชาร์จที่ผู้ผลิตแนะนำเท่านั้น เครื่องชาร์จที่เหมาะสมกับเบตเตอร์แบบหนึ่งอาจทำให้เกิดไฟไหม้ได้ถ้านำมาใช้กับเบตเตอร์อีกแบบหนึ่ง

ข) ใช้เครื่องมือไฟฟ้าเฉพาะกับก้อนเบตเตอร์ที่ออกแบบมาเป็นพิเศษเท่านั้น การใช้เบตเตอร์แบบอื่นอาจทำให้เกิดการบาดเจ็บหรือเกิดไฟไหม้ได้

ค) เมื่อไม่ใช้ก้อนเบตเตอร์ ให้เก็บออกห่างจากรถยนต์อื่นๆ ที่เป็นโลหะ เช่น ดับเพลิงกระดาษ

เหรียญ กุญแจ เข็ม สกรูหรือวัตถุขนาดเล็กอื่นๆ ที่ทำจากโลหะที่อาจทำให้เกิดการเชื่อมต่อจากชิ้นหนึ่งไปอีกชิ้นหนึ่ง การลัดวงจรบริเวณขั้วเบตเตอร์อาจทำให้เกิดรอยไหม้หรือไฟไหม้ได้

ง) เมื่ออยู่ภายใต้สภาวะที่ไม่เหมาะสม อาจมีของเหลวไหลออกมาจากเบตเตอร์ ให้หลีกเลี่ยงการสัมผัสกับของเหลวนี้ หากบังเอิญสัมผัสโดยไม่ตั้งใจ ให้ล้างออกด้วยน้ำปริมาณมาก หากของเหลวกระเด็นเข้าตา ควรรีบไปพบแพทย์ ของเหลวที่ออกมาจากเบตเตอร์อาจทำให้เกิดอาการระคายเคืองหรือรอยไหม้ได้

จ) ห้ามใช้เบตเตอร์หรือเครื่องมือที่มีการชำรุดเสียหายหรือได้รับการตัดแปลง เบตเตอร์ที่ชำรุดเสียหายหรือได้รับการตัดแปลงอาจทำให้เกิดการถนัดที่ไม่คาดคิด เช่น ไฟไหม้ระเบิด หรือความเสี่ยงอันก่อให้เกิดการบาดเจ็บได้

ฉ) อย่าให้เบตเตอร์หรือเครื่องมือถูกไฟไหม้หรืออยู่ในที่ที่มีอุณหภูมิสูงเกินไป หากเบตเตอร์ถูกไฟไหม้หรืออยู่ในที่ที่มีอุณหภูมิสูงเกิน 130 °C อาจทำให้เกิดการระเบิดได้

ช) ปฏิบัติตามคำแนะนำการชาร์จทุกขั้นตอนและไม่ชาร์จเบตเตอร์หรือเครื่องมือในอุณหภูมิที่เกินจากที่กำหนดไว้ในคำแนะนำ การชาร์จที่ไม่ถูกต้องหรือในอุณหภูมิที่นอกเหนือจากที่กำหนดไว้อาจทำให้เบตเตอร์เสียหายและเสี่ยงต่อการเกิดไฟไหม้ได้

6) การบริการ

ก) ให้นำช่างซ่อมที่มีความเชี่ยวชาญเป็นผู้ซ่อมเครื่องมือไฟฟ้า และใช้อะไหล่ของแท้เท่านั้น ซึ่งจะช่วยให้อุ่นใจได้ว่าเครื่องมือไฟฟ้ายังมีความปลอดภัยอยู่

ข) ห้ามซ่อมเบตเตอร์ที่ชำรุด ควรให้ผู้ผลิตหรือผู้ให้บริการที่ผ่านการรับรองเป็นผู้ซ่อมเบตเตอร์เท่านั้น

คำแนะนำด้านความปลอดภัย เมื่อใช้ดอกสว่านขนาดยาว

- ไม่ควรเปิดใช้งานในความเร็วสูงที่เกินอัตราความเร็วสูงสุดสำหรับดอกสว่านสำหรับการเจาะด้วยความเร็วที่สูงขึ้น ดอกสว่านมีแนวโน้มที่จะเอียงได้หากปล่อยให้หมุนโดยอิสระโดยไม่ยึดติดกับชิ้นงาน ซึ่งอาจก่อให้เกิดการบาดเจ็บได้
- ให้เริ่มการเจาะด้วยความเร็วต่ำอยู่เสมอโดยให้ปลายดอกสว่านอยู่ติดกับชิ้นงาน ด้วยความเร็วที่สูงขึ้น ดอกสว่านมีแนวโน้มที่จะเอียงได้หากปล่อยให้หมุนโดยอิสระโดยไม่ยึดติดกับชิ้นงาน ซึ่งอาจก่อให้เกิดการบาดเจ็บได้
- ใช้แรงดันโดยเฉพาะกับดอกสว่านและไม่ควรออกแรงดันเยอะเกินไป ดอกสว่านอาจเอียงจนทำให้เกิดการแตกหักหรือสูญเสียการควบคุม อันเป็นเหตุให้เกิดการบาดเจ็บได้

คำเตือนด้านความปลอดภัยเพิ่มเติม สำหรับสว่าน/ไขควง/สว่านเจาะ กระทบ

- ใช้แคลมป์ยึดหรือวิธีอื่นๆ ที่ให้ผลเพื่อยึดและรองรับชิ้นงานบนแท่นที่มั่นคง การใช้มือจับหรือให้ชิ้นงานทั้งกับลำตัวจะไม่มั่นคงเพียงพอและอาจทำให้สูญเสียการควบคุมได้
- อุปกรณ์เสริมและเครื่องมืออาจรบกวนในขณะที่ใช้งานในสวมถุงมือขณะจับถือสิ่งเหล่านี้ ถ้าต้องทำงานที่ทำให้เกิดความร้อน เช่น การเจาะกระทบแท่งโลหะ
- ช่อกะบายอากาศมีครบรอบบนชิ้นส่วนที่มีการเคลื่อนที่และควรระวังหลีกเลี่ยง เสื้อผ้าที่หลวม เครื่องประดับ หรือผมที่ยาวอาจเข้าไปพันกับชิ้นส่วนที่กำลังหมุน
- สวมแว่นตานิรภัยหรืออุปกรณ์ป้องกันดวงตาแบบอื่นๆ การเจาะและการเจาะกระทบจะทำให้เศษชิ้นงานปลิวได้ เศษชิ้นงานที่ปลิวออกมาอาจทำลายดวงตาอย่างถาวร
- สวมใส่อุปกรณ์ป้องกันเสียงดังเมื่อทำงานเจาะกระทบ การเผชิญกับเสียงดังมาก อาจทำให้สูญเสียความสามารถในการได้ยิน
- ใช้มือจับเสริมหากให้มาพร้อมกับเครื่อง การสูญเสียการควบคุมเครื่องอาจทำให้ได้รับบาดเจ็บได้
- จับเครื่องมือไฟฟ้าตรงพื้นผิวส่วนที่ใช้จับซึ่งมีฉนวนป้องกันเท่านั้นเมื่อต้องใช้งานเครื่องมือในบริเวณที่อุปกรณ์เสริมสำหรับการตัด ซึ่งอาจสัมผัสทุกสายไฟที่ซ่อนอยู่ได้ อุปกรณ์เสริมสำหรับงานตัดที่สัมผัสทุกสายไฟ "ที่มีไฟฟ้า" อาจทำให้ส่วนที่เป็นโลหะของเครื่องที่ถูกสัมผัส "มีไฟฟ้า" และทำให้ผู้ใช้เครื่องถูกไฟฟ้าช็อตได้
- อย่าใช้งานเครื่องมือนี้ต่อเมื่อเป็นเวลานาน แรงสั่นสะเทือนที่เกิดจากการเจาะกระทบ อาจทำให้เกิดอันตรายต่อมือและแขนของคุณ ใช้ถุงมือเพื่อลดข้อแรงสั่นสะเทือนบางส่วน และจำกัดแรงสั่นสะเทือนโดยหยุดเครื่องเป็นระยะๆ

ความเสี่ยงอื่นๆ ที่ยังมีอยู่

แม้จะปฏิบัติตามข้อกำหนดด้านความปลอดภัยที่เกี่ยวข้องและใช้อุปกรณ์นิรภัยแล้วก็ตาม แต่ก็ไม่สามารถหลีกเลี่ยงความเสี่ยงบางอย่างได้ ความเสี่ยงเหล่านั้นได้แก่:

- ความบกพร่องในการได้ยินเสียง
- ความเสี่ยงที่จะได้รับบาดเจ็บจากเศษชิ้นงานที่ปลิว
- ความเสี่ยงที่จะเกิดรอยไหม้เนื่องจากอุปกรณ์เสริมที่ร้อนขึ้นในระหว่างใช้งาน
- ความเสี่ยงที่จะได้รับบาดเจ็บเนื่องจากการใช้งานเป็นเวลานาน

เก็บคำแนะนำเหล่านี้ไว้

เครื่องชาร์จ

เครื่องชาร์จ DEWALT สามารถใช้งานได้โดยไม่ต้องปรับแต่งและได้รับการออกแบบมาให้ใช้งานง่ายที่สุด

ความปลอดภัยทางไฟฟ้า

มอเตอร์ไฟฟ้าออกแบบมาเพื่อใช้กับแรงดันไฟฟ้าขนาดเดียวกัน ต้องตรวจสอบแรงดันไฟฟ้าของแบตเตอรี่ให้ตรงกับแรงดันไฟฟ้าบนแผ่นแสดงพิกัดเสมอ รวมทั้งตรวจสอบว่า

แรงดันไฟฟ้าของเครื่องชาร์จตรงกันกับสายไฟตัวเครื่องของคุณ



เครื่องชาร์จไฟ DEWALT ของคุณได้รับการเคลือบฉนวนสองชั้นตามมาตรฐาน IEC60335 ดังนั้นจึงไม่จำเป็นต้องต่อสายดิน

ถ้าสายไฟของตัวเครื่องชำรุดเสียหาย ต้องเปลี่ยนเป็นสายไฟที่จัดเตรียมมาเป็นพิเศษซึ่งสั่งซื้อได้จากศูนย์บริการของ DEWALT

การใช้สายพ่วง

ไม่ควรใช้สายต่อพ่วง เว้นแต่มีความจำเป็นอย่างหลีกเลี่ยงไม่ได้ ควรใช้สายต่อพ่วงที่ผ่านการรับรองและเหมาะสมกับกำลังไฟเข้าของเครื่องชาร์จ (ดูข้อมูลด้านเทคนิค) ขนาดต่ำสุดของสายไฟ คือ 1 ตร.มม. ความยาวสูงสุด คือ 30 ม. เมื่อมีการใช้อุปกรณ์ม้วนเก็บสายไฟ ให้คลายสายไฟออกจนหมดทุกครั้ง

คำแนะนำเพื่อความปลอดภัยที่สำคัญสำหรับเครื่องชาร์จแบตเตอรี่ทุกชนิด

เก็บคำแนะนำเหล่านี้ไว้: คู่มือนี้ประกอบด้วยคำแนะนำความปลอดภัยและการใช้งานที่สำคัญสำหรับเครื่องชาร์จแบตเตอรี่ (โปรดดูข้อมูลด้านเทคนิค)

- ก่อนใช้งานเครื่องชาร์จ โปรดอ่านคำแนะนำและสัญลักษณ์เตือนทั้งหมดบนเครื่องชาร์จ แบตเตอรี่ และผลิตภัณฑ์ที่ใช้แบตเตอรี่



คำเตือน: อันตรายจากไฟฟ้าช็อต อย่าให้มีมือของเหลวเข้าไปภายในเครื่องชาร์จ เพราะอาจทำให้เกิดไฟฟ้าช็อตได้



คำเตือน: เราแนะนำการใช้อุปกรณ์ป้องกันไฟดูดที่มีกระแสที่กัดไม่เกิน 30mA



ข้อควรระวัง: อันตรายจากเพลิงไหม้ เพื่อลดความเสี่ยงของการเกิดการบาดเจ็บ โปรดใช้แบตเตอรี่แบบชาร์จซ้ำได้ของ DEWALT เท่านั้น แบตเตอรี่ชนิดอื่นๆ อาจระเบิดทำให้เกิดการบาดเจ็บและความเสียหายได้



ข้อควรระวัง: เด็กควรได้รับการควบคุมดูแลเพื่อให้แน่ใจว่าเด็กจะไม่เล่นเครื่องมือ

หมายเหตุ: ในบางสถานการณ์ ระหว่างที่เครื่องชาร์จเสียบปลั๊กอยู่ อาจมีวัตถุแปลกปลอมเข้าไปภายในเครื่องชาร์จและทำให้ขั้วชาร์จไฟลัดวงจรได้ อย่าให้มีวัตถุแปลกปลอมที่มีคุณสมบัตินำไฟฟ้า เช่น ฝอยเหล็ก อะลูมิเนียมพอลิ หรือการสะสมตัวของอนุภาคโลหะอยู่ในช่องใส่แบตเตอรี่ของเครื่องชาร์จ และถอดปลั๊กเครื่องชาร์จออกเสมอเมื่อไม่มีขูดแบตเตอรี่อยู่ภายในช่องใส่ รวมทั้งถอดปลั๊กเครื่องชาร์จทุกครั้งก่อนทำความสะอาด

- **อย่าชาร์จแบตเตอรี่ด้วยตัวเครื่องชาร์จเครื่องอื่นๆ นอกเหนือจากเครื่องชาร์จที่ระบุในคู่มือเล่มนี้โดยเด็ดขาด** เครื่องชาร์จและชุดแบตเตอรี่ได้รับการออกแบบมาให้ใช้งานร่วมกันโดยเฉพาะ
- **เครื่องชาร์จนี้ไม่ได้ออกแบบมาเพื่อการใช้งานใดๆ นอกจากชาร์จแบตเตอรี่แบบชาร์จซ้ำได้ของ DEWALT** การนำไปใช้ในงานอื่นนอกเหนือจากนี้อาจเสี่ยงต่อการเกิดไฟไหม้ ไฟฟ้าช็อต หรืออันตรายจากไฟฟ้าจนถึงแก่ชีวิตได้
- **อย่าให้เครื่องชาร์จถูกฝนหรือหิมะ**

- **ดึงปลั๊กเครื่องชาร์จที่หุ้มปลั๊กแทนการดึงที่สายไฟ** เมื่อจะถอดปลั๊กเครื่องชาร์จ วิธีนี้จะช่วยลดความเสี่ยงที่ปลั๊กและสายไฟจะชำรุดเสียหายได้
- **ตรวจสอบให้แน่ใจว่าสายไฟต้องอยู่ในตำแหน่งที่ไม่ถูกเหยียบ เตะ สะดุด** มิฉะนั้นอาจก่อให้เกิดความเสียหายหรือความเครียดในสายไฟได้
- **ห้ามใช้สายต่อพ่วงโดยเด็ดขาด** เว้นแต่มีความจำเป็นอย่างหลีกเลี่ยงไม่ได้ การใช้สายต่อพ่วงที่ไม่เหมาะสมอาจทำให้เกิดเพลิงไหม้ ไฟฟ้าช็อต หรืออันตรายจากไฟฟ้าจนถึงแก่ชีวิตได้
- **อย่าวางวัตถุใดๆ บนเครื่องชาร์จหรือวางเครื่องชาร์จไว้บนพื้นผิวอ่อนนุ่มที่อาจปิดกั้นช่องระบายอากาศและทำให้เกิดความร้อนภายในที่มากเกินไป** วางเครื่องชาร์จในตำแหน่งที่ห่างจากแหล่งกำเนิดความร้อน เครื่องชาร์จมีการระบายความร้อนผ่านทางช่องระบายที่อยู่ด้านบนและด้านล่างของตัวเครื่อง
- **ห้ามใช้งานเครื่องชาร์จที่มีสายไฟหรือปลั๊กชำรุดเสียหาย** ให้เปลี่ยนใหม่ทันที
- **ห้ามใช้งานเครื่องชาร์จที่ถูกกระแทกอย่างรุนแรง ตก หรือได้รับความเสียหายรูปแบบใดๆ ก็ตาม** ให้นำเครื่องชาร์จดังกล่าว ไปยังศูนย์บริการที่ได้รับอนุญาต
- **ห้ามถอดชิ้นส่วนเครื่องชาร์จเอง** โปรดนำเครื่องชาร์จไปยังศูนย์บริการที่ได้รับอนุญาตเมื่อจำเป็นต้องซ่อมแซมหรือรับบริการ การประกอบเครื่องกลับดังเดิมอาจไม่ถูกต้องอาจเสี่ยงต่อการถูกไฟฟ้าช็อตอันตรายจากไฟฟ้าจนถึงแก่ชีวิต หรือเกิดเพลิงไหม้ได้
- **ในกรณีที่สายไฟของตัวเครื่องชำรุดเสียหาย สายไฟดังกล่าวต้องได้รับการเปลี่ยนโดยผู้ผลิต หรือตัวแทนศูนย์บริการของผู้ผลิต หรือบุคคลที่มีคุณสมบัติเทียบเท่า โดยทันที** เพื่อหลีกเลี่ยงอันตรายที่อาจเกิดขึ้นได้
- **ถอดปลั๊กของเครื่องชาร์จออกทุกครั้งก่อนทำความสะอาด** การทำเช่นนี้จะช่วยลดความเสี่ยงจากการถูกไฟฟ้าช็อตได้ การถอดชุดแบตเตอรี่ออกจะไม่ทำให้ความเสี่ยงนี้ลดลง
- **ห้ามเชื่อมต่อเครื่องชาร์จ 2 เครื่องเข้าด้วยกันโดยเด็ดขาด**
- **เครื่องชาร์จออกแบบมาเพื่อทำงานด้วยแรงดันไฟบ้าน 220-240V เท่านั้น** ห้ามนำเครื่องชาร์จไปใช้กับแรงดันไฟอื่นๆ ทั้งนี้ไมรวมถึงเครื่องชาร์จสำหรับใช้ในรถยนต์

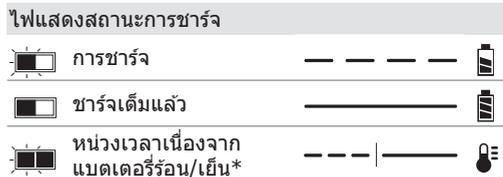
การชาร์จแบตเตอรี่ (รูป B)

1. เสียบปลั๊กเครื่องชาร์จเข้ากับเต้ารับที่เหมาะสมก่อนใส่ก้อนแบตเตอรี่ลงไป
2. ใส่ชุดแบตเตอรี่ ❶ ลงในเครื่องชาร์จ ตรวจสอบให้แน่ใจว่าชุดแบตเตอรี่เข้าไปอยู่ในเครื่องชาร์จจนสนิทแล้ว ไฟสีแดง (กำลังชาร์จ) จะกะพริบต่อเนื่อง แสดงว่ากระบวนการชาร์จเริ่มต้นแล้ว
3. ถ้าการชาร์จเสร็จสิ้น ไฟสีแดงนี้จะติดสว่างต่อเนื่องก่อนแบตเตอรี่จะได้รับการประจุไฟจนเต็ม และสามารถนำไปใช้ได้เลย หรืออาจปล่อยให้ในเครื่องชาร์จก็ได้ หากต้องการถอดชุดแบตเตอรี่ออกจากเครื่องชาร์จ ให้กดปุ่มปลดล็อก ❷ ที่ตัวชุดแบตเตอรี่

หมายเหตุ: เพื่อให้ชุดแบตเตอรี่ลิเทียมไอออนมีประสิทธิภาพเต็มที่และอายุการใช้งานสูงสุด ให้ชาร์จไฟชุดแบตเตอรี่ให้เต็มก่อนใช้งานครั้งแรก

การใช้งานเครื่องชาร์จ

โปรดดูไฟแสดงสถานะที่ด้านล่างนี้เกี่ยวกับสถานะการชาร์จไฟของชุดแบตเตอรี่



*ไฟสีแดงจะยังคงกะพริบต่อไป แต่ไฟเตือนสีเหลืองจะติดสว่างระหว่างการทำงานในช่วงนี้ เมื่อชุดแบตเตอรี่เย็นลงถึงอุณหภูมิที่เหมาะสมแล้ว ไฟสีเหลืองก็จะดับและเครื่องชาร์จจะเริ่มชาร์จต่อ

เครื่องชาร์จที่สามารถใช้ด้วยกันได้จะไม่ชาร์จไฟชุดแบตเตอรี่ที่ผิดปกติ เครื่องชาร์จจะแสดงถึงความผิดปกติของแบตเตอรี่โดยการไม่แสดงไฟ

หมายเหตุ: รูปแบบการแจ้งเตือนนี้อาจหมายความว่าเครื่องชาร์จมีปัญหาได้ด้วยเช่นกัน

หากเครื่องชาร์จแสดงสัญญาณปัญหาอื่น โปรดนำชุดแบตเตอรี่ไปทดสอบที่ศูนย์บริการที่ได้รับอนุญาต

หน่วงเวลาเนื่องจากแบตเตอรี่ร้อน/เย็น

เมื่อเครื่องชาร์จพบว่าชุดแบตเตอรี่มีอุณหภูมิร้อนหรือเย็นจนเกินไป เครื่องชาร์จจะเริ่มการหน่วงเวลาเนื่องจากแบตเตอรี่ร้อน/เย็น ซึ่งคือการหน่วงการชาร์จไฟจนกว่าชุดแบตเตอรี่จะมีอุณหภูมิเหมาะสมในโหมดอัตโนมัติ จากนั้นเครื่องชาร์จจะเปลี่ยนเป็นโหมดชาร์จไฟโดยอัตโนมัติ คุณสมบัตินี้จะช่วยให้นแน่ใจว่าชุดแบตเตอรี่จะมีอายุการใช้งานที่ยาวนานที่สุด ชุดแบตเตอรี่ที่เย็นจะชาร์จไฟได้ในอัตราที่ช้ากว่าชุดแบตเตอรี่ที่อุ่น ชุดแบตเตอรี่จะชาร์จไฟด้วยอัตราความเร็วต่ำนี้ไปตลอดจนการชาร์จจะและจะไม่กลับไปชาร์จที่อัตราความเร็วสูงสุด แม้ว่าชุดแบตเตอรี่จะอุ่นขึ้นแล้วก็ตาม

เครื่องชาร์จ DCB118 จะมีพัดลมระบายความร้อนอยู่ในซึ่งได้รับการออกแบบมาเพื่อระบายความร้อนชุดแบตเตอรี่ พัดลมระบายความร้อนจะเปิดการทำงานโดยอัตโนมัติ เมื่อจะต้องระบายความร้อนชุดแบตเตอรี่ ห้ามใช้งานเครื่องชาร์จในกรณีที่พัดลมระบายความร้อนทำงานผิดปกติ หรือในกรณีที่ช่องระบายอากาศอุดตัน อย่างไรก็ตาม

ระบบป้องกันอิเล็กทรอนิกส์ (Electronic Protection System)

เครื่องมือ XR Li-Ion ได้รับการออกแบบใหม่ให้มีระบบป้องกันอิเล็กทรอนิกส์ซึ่งจะช่วยปกป้องชุดแบตเตอรี่จากการเกิดโอเวอร์โหลด ความร้อนสูงเกิน หรือการคายประจุระดับลึก

เครื่องมือจะปิดโดยอัตโนมัติเมื่อระบบป้องกันอิเล็กทรอนิกส์ทำงาน หากเกิดเหตุการณ์ดังกล่าวขึ้น ให้นำชุดแบตเตอรี่ลิเทียมไอออนไปชาร์จไฟที่เครื่องชาร์จจนกระทั่งเต็ม

การติดตั้งบนผนัง

เครื่องมือนี้ได้รับการออกแบบเพื่อให้สามารถติดตั้งบนผนัง หรือตั้งวางในแนวตั้งบนโต๊ะหรือพื้นผิวของงาน หากต้องการติดตั้งบนผนัง ให้วางตำแหน่งเครื่องชาร์จให้อยู่ใกล้ตัวรับ แต่อยู่ห่างจากมุมหรือสิ่งกีดขวางอื่นๆ ซึ่งอาจขวางทิศทางลม ใช้ด้านหลังเครื่องชาร์จเป็นแบบในการวางตำแหน่งสกรูยึดที่ผนัง ติดตั้งเครื่องชาร์จให้

มันคง โดยใช้สกรูไดรเวลล์ (ชื่อแยกต่างหาก) ขนาดความยาวอย่างน้อย 25.4 มม. และมีขนาดเส้นผ่านศูนย์กลางหัวสกรู 7-9 มม. ขันยึดเข้ากับไม้ที่มีความหนาที่เหมาะสม โดยให้หัวสกรูยื่นพ้นผนังออกมาประมาณ 5.5 มม. คล้องช่องแขวนที่ด้านหลังเครื่องชาร์จเข้ากับหัวสกรูที่ยื่นจากผนัง แล้วยึดเข้ากับช่องแขวนให้พอดีกัน

คำแนะนำในการทำความสะอาดเครื่องชาร์จ

! **คำเตือน:** **อันตรายจากการถูกไฟฟ้าช็อต** ถอดเครื่องชาร์จออกจากเต้ารับไฟบ้านก่อนทำความสะอาด ให้ขจัดสิ่งสกปรกและจาระบีออกจากภายนอกของเครื่องชาร์จโดยใช้ผ้าหรือแปรงขนนุ่มที่ไม่ใช่โลหะ ห้ามใช้น้ำหรือน้ำยาทำความสะอาดใดๆ อย่าให้มีของเหลวใดๆ เข้าไปในเครื่องมือเด็ดขาด ห้ามจุ่มส่วนใดๆ ของเครื่องมือลงในของเหลวเด็ดขาด

ชุดแบตเตอรี่

คำแนะนำเพื่อความปลอดภัยที่สำคัญสำหรับชุดแบตเตอรี่ทุกชนิด

เมื่อจะสั่งซื้อแบตเตอรี่ก้อนใหม่ ให้ระบุรหัสสินค้าและแรงดันไฟฟ้า

แบตเตอรี่ใหม่ที่ยังแยกจากกล่องยังไม่ได้รับการชาร์จไฟให้เต็ม ก่อนใช้งานแบตเตอรี่และเครื่องชาร์จ โปรดอ่านคำแนะนำเพื่อความปลอดภัยด้านล่าง แล้วทำตามขั้นตอนการชาร์จที่ระบุไว้

อ่านคำแนะนำทั้งหมด

- ห้ามชาร์จหรือใช้แบตเตอรี่ในบริเวณที่อาจเกิดการระเบิด เช่น ในบริเวณที่มีช่องของเหลว แก๊ส หรือฝุ่นละอองที่มีคุณสมบัติไวไฟ การใส่หรือถอดแบตเตอรี่ออกจากเครื่องชาร์จอาจเป็นสาเหตุให้เกิดลัดวงจรไฟหรือเปลวไฟได้
- ห้ามฝืนใส่แบตเตอรี่ลงในเครื่องชาร์จ ห้ามดัดแปลงก่อนแบตเตอรี่ด้วยวิธีการใดๆ เพื่อให้สามารถใส่ลงในเครื่องชาร์จที่ไม่รองรับแบตเตอรี่นั้น เนื่องจากก่อนแบตเตอรี่อาจจะระเบิดขึ้นและเป็นเหตุให้ได้รับบาดเจ็บสาหัสได้
- ชาร์จแบตเตอรี่ในเครื่องชาร์จของ DEWALT ที่กำหนดเท่านั้น
- ห้ามสูดหรือจุ่มลงในน้ำหรือของเหลวใดๆ โดยเด็ดขาด
- ห้ามเก็บหรือใช้งานเครื่องมือและแบตเตอรี่ในสถานที่ซึ่งอุณหภูมิอาจสูงถึงหรือสูงกว่า 40° C (104° F) (เช่น ในโรงเรือนกลางแจ้งหรืออาคารที่มีโครงสร้างเป็นโลหะในช่วงฤดูร้อน)
- ห้ามเผาชุดแบตเตอรี่แม้ว่าแบตเตอรี่นั้นจะได้รับ ความเสียหายอย่างร้ายแรงหรือใช้งานจนหมดแล้วก็ตาม ชุดแบตเตอรี่สามารถระเบิดในเปลวไฟได้ และ จะเกิดแก๊สพิษและสารพิษอันตรายขึ้นเมื่อแบตเตอรี่ ลิเทียมไอออนถูกเผา
- หากสารภายในแบตเตอรี่สัมผัสผิวหนัง ให้รีบ ล้างออกด้วยสบู่และน้ำทันที หากของเหลว ภายในแบตเตอรี่เข้าตา ให้รีบล้างตาในน้ำเป็นเวลา 15 นาทีหรือจนไม่รู้สึกระคายเคืองอีก หากจำเป็น ต้องไปพบแพทย์ สารอิเล็กทรอนิกส์ของแบตเตอรี่ เป็นส่วนผสมของสารละลายคาร์บอนอินทรีย์และ เกลือลิเทียม

- **สารภายในแบตเตอรี่ที่ถูกเปิดออกอาจระคายเคืองต่อระบบทางเดินหายใจ** ให้รีบไปยังสถานที่ที่มีอากาศถ่ายเท หากอาการผิดปกติไม่หายไป ให้รีบพบแพทย์

! **คำเตือน:** **อันตรายจากเพลิงไหม้** ของเหลวในแบตเตอรี่อาจติดไฟได้หากสัมผัสกับประกายไฟหรือเปลวไฟ

! **คำเตือน:** ห้ามพยายามแกะตัวแบตเตอรี่ในทุกกรณี หากตัวก่อนแบตเตอรี่มีรอยแตกหรือเสียหาย หักมันใส่เข้าไปในเครื่องชาร์จโดยเด็ดขาด ห้ามทุบ ตีตก หรือทำให้ก่อนแบตเตอรี่ชำรุดเสียหาย ห้ามใช้งานแบตเตอรี่และเครื่องชาร์จที่ถูกกระแทกอย่างรุนแรง เคยตก ถูกทับ หรือได้รับความเสียหายในรูปแบบใดๆ (กล่าวคือ ถูกระเบิดออกทะลุ ถูกดทับ ถูกเหยียบจนชำรุด) เพราะอาจทำให้เกิดไฟฟ้าช็อตหรือเกิดอันตรายจากไฟฟ้าจนถึง แก่ชีวิตได้ ควรส่งแบตเตอรี่ที่ชำรุดเสียหายคืนให้ศูนย์บริการเพื่อนำไปรีไซเคิล

! **คำเตือน:** **อันตรายจากเพลิงไหม้** อย่าเก็บหรือถือชุดแบตเตอรี่ในลักษณะที่อาจมีวัตถุที่ทำด้วยโลหะแตะถูกขั้วของแบตเตอรี่ ตัวอย่างเช่น อย่าวางชุดแบตเตอรี่ไว้ในชุดกันเปื้อน กระเป๋า กล่องเครื่องมือ กล่องชุดผลิตภัณฑ์ ลินชัก เป็นต้น เก็บรวมไว้กับตะปู สกรู คุญแจ เป็นต้น

! **ข้อควรระวัง:** **เมื่อไม่ใช้งาน ให้วางเครื่องมือที่ชาร์จไว้บนพื้นผิวที่มันคงที่จะไม่ทำให้เกิดอันตรายจากการสะดุดหรือร่วงหล่น** อุปกรณ์บางอย่างที่ใช้ชุดแบตเตอรี่ขนาดใหญ่อาจจะสามารถวางตั้งบนแบตเตอรี่ได้ แต่ก็อาจถูกขมจนล้มลงมาได้ง่ายเช่นกัน

การขนส่ง

! **คำเตือน:** **อันตรายจากเพลิงไหม้** การขนส่งแบตเตอรี่อาจทำให้เกิดไฟไหม้ได้ ถ้าขั้วของแบตเตอรี่สัมผัสกับวัตถุที่นำไฟฟ้า เมื่อทำการขนส่งแบตเตอรี่ ต้องแนบไว้ว่าขั้วแบตเตอรี่ได้รับการป้องกันและได้รับการหุ้มฉนวนอย่างดีเพื่อไม่ให้มีวัตถุใดๆ มาสัมผัสและทำให้เกิดการลัดวงจรได้ **หมายเหตุ:** จะต้องไม่ใส่แบตเตอรี่ลิเทียมไอออนไว้ในสัมภาระใต้ท้องเครื่อง

แบตเตอรี่ของ DEWALT ปฏิบัติตามข้อกำหนดในการขนส่งที่บังคับใช้ตามที่มีอยู่ถือเป็นมาตรฐานของกฎหมายและอุตสาหกรรมทุกประการ ซึ่งประกอบด้วย ข้อแนะนำในการขนส่งสินค้าอันตรายขององค์การสหประชาชาติ (UN Recommendations on the Transport of Dangerous Goods) ระเบียบข้อบังคับของสมาคมขนส่งทางอากาศระหว่างประเทศ (IATA) ข้อกำหนดว่าด้วยการขนส่งสินค้าอันตรายระหว่างประเทศ ขององค์การทางทะเลระหว่างประเทศ (International Maritime Dangerous Goods – IMDG) และข้อตกลงร่วมกับการขนส่งสินค้าอันตรายผ่านแดนทางถนนของกลุ่มประเทศเศรษฐกิจยุโรป (European Agreement Concerning the International Carriage of Dangerous Goods by Road – ADR) เซลล์และแบตเตอรี่ลิเทียมไอออนได้รับการทดสอบตามเกณฑ์และการทดสอบมาตรา 38.3 ของข้อแนะนำในการขนส่งสินค้าอันตรายขององค์การสหประชาชาติแล้ว โดยส่วนใหญ่แล้ว การขนส่งแบตเตอรี่ของ DEWALT จะได้รับยกเว้นในการจัดประเภทเป็นวัตถุอันตรายตามที่กำหนด

ไว้ประเภทที่ 9 โดยทั่วไปการขนส่งที่บรรจุแบตเตอรี่ลิเทียมไอออนที่มีอัตราพลังงานไฟฟ้ามากกว่า 100 วัตต์-ชั่วโมง (Wh) จะต้องขนส่งตามที่กำหนดไว้ประเภทที่ 9 โดยต้องมีการทำเครื่องหมายแสดงอัตราวัตต์-ชั่วโมงไว้ที่หีบห่อของแบตเตอรี่ลิเทียมไอออนทั้งหมด นอกจากนี้ เนื่องจากความความชื้นของของขบับดับ DEWALT ไม่แนะนำให้ขนส่งแบตเตอรี่ลิเทียมไอออนทางอากาศเพียงอย่างเดียวโดยไม่คำนึงถึงอัตราวัตต์-ชั่วโมง การขนส่งเครื่องมือพร้อมแบตเตอรี่ (เครื่องมือมือ) สามารถขนส่งทางอากาศได้เนื่องจากได้รับยกเว้น หากอัตราวัตต์-ชั่วโมงของชุดแบตเตอรี่ไม่เกิน 100 วัตต์-ชั่วโมง

ทั้งนี้ โดยไม่คำนึงว่าการขนส่งจะได้รับยกเว้นหรือต้องปฏิบัติตามอย่างครบถ้วน เป็นความรับผิดชอบของผู้ขนส่งที่จะต้องค้นหาข้อมูลเกี่ยวกับข้อบังคับด้านบรรจุภัณฑ์ล่าสุด ข้อกำหนดเรื่องการแสดงฉลาก/เครื่องหมายและการจัดเตรียมเอกสาร

ข้อมูลในหัวข้อนี้ได้รับการจัดเตรียมโดยสรุปและเชื่อมั่นว่าถูกต้องในเวลาที่จัดทำขึ้น อย่างไรก็ตาม ไม่ถือว่าเป็นการรับประกันทั้งโดยชัดแจ้งหรือโดยปริยาย เป็นความรับผิดชอบของผู้ซื้อที่จะตรวจสอบให้แน่ใจว่ากิจกรรมต่างๆ ของบริษัทสอดคล้องตามข้อกำหนดที่บังคับใช้

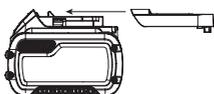
การขนส่งแบตเตอรี่ FLEXVOLT™

แบตเตอรี่ DEWALT FLEXVOLT™ มีสองโหมด: **การใช้งานและการขนส่ง**

โหมดการใช้งาน: เมื่อแบตเตอรี่ FLEXVOLT™ อยู่แยกต่างหากหรือบรรจุอยู่ในผลิตภัณฑ์ DEWALT ขนาด 18 (20 Max) โวลต์ ก็จะทำงานเป็นแบตเตอรี่ 18 (20 Max) โวลต์ เมื่อแบตเตอรี่ FLEXVOLT™ บรรจุอยู่ในผลิตภัณฑ์ขนาด 54 (60 Max) โวลต์ หรือ 108 (120 Max) โวลต์ (แบตเตอรี่ขนาด 54 (60 Max) โวลต์ 2 ก้อน) ก็จะทำงานเป็นแบตเตอรี่ 54 (60 Max) โวลต์

โหมดการขนส่ง: เมื่อติดตัวเก็บประจุ (cap) กับแบตเตอรี่ FLEXVOLT™ แบตเตอรี่จะอยู่ในโหมดการขนส่ง ดูแล้วตัวเก็บประจุสำหรับการขนส่ง

เมื่ออยู่ในโหมดการขนส่ง สดริงของเซลล์แบตเตอรี่ได้รับการปลดวงจรไฟฟ้า



ภายในหีบห่อ ส่งผลให้แบตเตอรี่ 3 ก้อนมีอัตราวัตต์-ชั่วโมง (Wh) ต่ำกว่าเมื่อเทียบกับแบตเตอรี่ 1 ก้อนที่มีอัตราวัตต์-ชั่วโมงสูงกว่า การทำเช่นนี้ทำให้มีปริมาณแบตเตอรี่เพิ่มเป็น 3 ก้อน โดยมีอัตราวัตต์-ชั่วโมงต่ำกว่า จึงสามารถยกเว้นการบรรจุหีบห่อตามข้อบังคับการขนส่งบางประการที่มีการกำหนดกับแบตเตอรี่ที่มีวัตต์-ชั่วโมงสูงกว่า

ตัวอย่างเช่น อัตราวัตต์-ชั่วโมงในการขนส่งอาจจะระบุไว้ว่า 3 x 36 Wh ซึ่งหมายถึง แบตเตอรี่ 3 ก้อนๆ ละ 36 วัตต์-ชั่วโมง การใช้อัตราวัตต์-ชั่วโมงจะระบุ 108 วัตต์-ชั่วโมง (หมายถึงแบตเตอรี่ 1 ก้อน)

 Use: 108 Wh
 Transport: 3x36 Wh

คำแนะนำการเก็บรักษา

1. สถานที่เก็บรักษาอุปกรณ์ที่เหมาะสมที่สุดคือสถานที่ที่แห้งและเย็น ไม่ได้รับแสงอาทิตย์โดยตรง และอุณหภูมิไม่ร้อนหรือเย็นมากเกินไป เพื่อให้ประสิทธิภาพและ

อายุการใช้งานของแบตเตอรี่ยาวนานสูงสุด ควรเก็บรักษาแบตเตอรี่ในอุณหภูมิห้องเมื่อไม่ใช้งาน

2. กรณีเก็บเป็นเวลานาน ให้เก็บแบตเตอรี่ที่ชาร์จเต็มแล้วในสถานที่แห้งและเย็นนอกเครื่องชาร์จ

หมายเหตุ: ไม่ควรเก็บรักษาชุดแบตเตอรี่ในสภาพปราศจากประจุโดยสิ้นเชิง จำเป็นต้องชาร์จแบตเตอรี่ใหม่อีกครั้งก่อนใช้งาน

แผ่นป้ายบนแบตเตอรี่และเครื่องชาร์จ

นอกเหนือจากสัญลักษณ์ภาพที่ใช้ในคู่มือเล่มนี้แล้ว บนเครื่องชาร์จและแบตเตอรี่จะมีสัญลักษณ์ภาพดังต่อไปนี้:



โปรดอ่านคู่มือแนะนำการใช้ก่อนใช้งาน



โปรดดูข้อมูลทางเทคนิคสำหรับเวลาชาร์จ



ห้ามแห้วด้วยวัตถุที่เป็นตัวนำ



ห้ามชาร์จแบตเตอรี่ที่ชำรุด



ห้ามทำให้แบตเตอรี่เปียกน้ำ



เปลี่ยนสายไฟฟ้าชำรุดทันที



ชาร์จไฟที่อุณหภูมิระหว่าง 4 °C ถึง 40 °C เท่านั้น



ใช้ภายในอาคารเท่านั้น



โปรดทิ้งแบตเตอรี่อย่างเหมาะสมโดยคำนึงถึงผลกระทบต่อสิ่งแวดล้อม



ชาร์จแบตเตอรี่ DEWALT กับเครื่องชาร์จของ DEWALT ที่กำหนดเท่านั้น การชาร์จแบตเตอรี่ชนิดอื่นนอกเหนือจากแบตเตอรี่ที่ DEWALT กำหนดกับเครื่องชาร์จ DEWALT อาจทำให้เกิดกระแสเบ็ดหรือนำไปสู่สถานการณ์ที่เป็นอันตรายอื่นๆ



ห้ามเผาแบตเตอรี่



การใช้งาน (โดยไม่มีตัวเก็บประจุในการขนส่ง)
ตัวอย่างเช่น: อัตราวัตต์-ชั่วโมงระบุไว้ว่า 108 วัตต์-ชั่วโมง (แบตเตอรี่ 1 ก้อน มี 108 วัตต์-ชั่วโมง)



การขนส่ง (ที่มีตัวเก็บประจุในการขนส่งมากับอุปกรณ์) ตัวอย่างเช่น: อัตราวัตต์-ชั่วโมงระบุไว้ว่า 3 x 36 วัตต์-ชั่วโมง (แบตเตอรี่ 3 ก้อน 36 วัตต์-ชั่วโมง)



ชนิดของแบตเตอรี่

รุ่น DCD708/DCD709 ใช้กับแบตเตอรี่ 18 (20 Max) โวลต์

หรืออาจใช้กับแบตเตอรี่เหล่านี้ได้: DCB181, DCB182, DCB183, DCB184, DCB185, DCB203, DCB204, DCB205, DCB187, DCB189, DCB546, DCB547, DCB548, DCB606, DCB609, DCB612 DCBP034.

โปรดดูข้อมูลเพิ่มเติมใน **ข้อมูลด้านเทคนิค**

สิ่งที่อยู่ในบรรจุภัณฑ์

ภายในบรรจุภัณฑ์ประกอบด้วย:

สว่าน/ไขควงไฟฟ้า (DCD708) หรือสว่านกระแทก (DCD709)	1 เครื่อง
เครื่องชาร์จ	1 เครื่อง
คลิปหนีบเข็มขัด (มีในบางรุ่น)	1 ชิ้น
ปลอกแม่เหล็กยึดดอกสว่าน (มีในบางรุ่น)	1 เครื่อง
ชุดแบตเตอรี่ Li-Ion (รุ่น C1, D1, E1, L1, M1, P1, S1, T1, X1, Y1)	1 ชิ้น
ชุดแบตเตอรี่ Li-Ion (รุ่น C2, D2, E2, L2, M2, P2, S2, T2, X2, Y2)	2 ชิ้น
ชุดแบตเตอรี่ Li-Ion (รุ่น C3, D3, E3, L3, M3, P3, S3, T3, X3, Y3)	3 ชิ้น
คู่มือการใช้งาน	1 เล่ม

- โปรดตรวจสอบหาร่องรอยความเสียหายของเครื่องมือชิ้นส่วน หรืออุปกรณ์เสริม ที่อาจเกิดขึ้นในระหว่างการขนส่ง
- โปรดอ่านและทำความเข้าใจคู่มือเล่มนี้ก่อนการใช้งาน

สัญลักษณ์บนเครื่องมือ

รูปภาพต่อไปนี้จะปรากฏบนเครื่องมือ:



โปรดอ่านคู่มือแนะนำการใช้ก่อนใช้งาน



สวมอุปกรณ์ป้องกันเสียงดัง



สวมอุปกรณ์ป้องกันดวงตา



รังสีที่มองเห็นได้ ห้ามจ้องมองลำแสงโดยตรง

ตำแหน่งของรหัสวันที่ (รูป A)

รหัสวันที่ **14** ซึ่งรวมถึง ปีที่ผลิต จะพิมพ์ไว้บนตัวเครื่องตัวอย่างเช่น:

2022 XX XX
ปีที่ผลิต

คำอธิบาย (รูป A)



คำเตือน: ห้ามปรับแต่งเครื่องมือไฟฟ้าหรือชิ้นส่วนใดๆ โดยเด็ดขาด เพราะอาจทำให้เครื่องมือชำรุดหรือได้รับบาดเจ็บได้

- ชุดแบตเตอรี่
- ปุ่มปลดล็อกแบตเตอรี่
- มือจับหลัก
- สวิตช์ปรับระดับความเร็ว
- ปุ่มควบคุมเดินหน้า/ถอยหลัง

- ปุ่มปรับเลือกโหมดการทำงาน
- ตัวเลือกความเร็ว
- ไฟส่องงาน
- ปลอกล็อกหัวจับดอกสว่าน
- หัวจับดอกสว่านแบบไม่ใช้จำปา
- คลิปหนีบเข็มขัด (มีในบางรุ่น)
- สกรู
- ปลอกแม่เหล็กยึดดอกสว่าน (มีในบางรุ่น)
- รหัสวันที่

วัตถุประสงค์ในการใช้งาน

สว่าน/ไขควง/สว่านเจาะกระแทกเหล่านี้ได้รับการออกแบบสำหรับการเจาะ การเจาะกระแทก และการขันสกรูแบบมีออาชีพ

ห้ามใช้งานหากอยู่ในบริเวณที่เปียกชื้น หรือมีของเหลวไวไฟหรือแก๊สอยู่ในบริเวณดังกล่าว

สว่าน/ไขควง/สว่านเจาะกระแทกเป็นเครื่องมือไฟฟ้าสำหรับมืออาชีพ

ห้ามปล่อยให้เด็กสัมผัสกับเครื่องมือ ผู้ใช้ที่ไม่มีประสบการณ์มากก่อนต้องได้รับการดูแลในขณะใช้เครื่องมือนี้

- ผู้เยาว์และผู้ที่ไม่มีความเชี่ยวชาญ เครื่องมือนี้ไม่ได้มีไว้เพื่อการใช้งานโดยผู้เยาว์หรือผู้ที่ไม่มีความเชี่ยวชาญโดยไม่มี การควบคุมดูแล
- เครื่องมือนี้ไม่ได้มีไว้เพื่อการใช้งานโดยบุคคล (ซึ่งรวมถึงผู้เยาว์) ที่มีความบกพร่องทางร่างกาย ทางความรู้สึก หรือทางจิตประสาท หรือขาดประสบการณ์ ความรู้ และทักษะ เว้นเสียแต่จะได้รับการควบคุมดูแล หรือคำแนะนำการใช้เครื่องมือโดยผู้ที่รับผิดชอบต่อความปลอดภัยของบุคคลเหล่านั้น ห้ามปล่อยผู้เยาว์ไว้กับเครื่องมือตามลำพัง

การประกอบและการปรับแต่ง



คำเตือน: เพื่อลดความเสี่ยงจากการบาดเจ็บสาหัส ให้ปิดเครื่องมือและถอดชุดแบตเตอรี่ออกจากเครื่องมือก่อนทำการปรับหรือการถอด/ติดตั้งอุปกรณ์ต่อพ่วงหรืออุปกรณ์เสริมต่างๆ การปลดเปิดเครื่องโดยไม่ตั้งใจอาจเป็นสาเหตุให้เกิดการบาดเจ็บได้



คำเตือน: ใช้แบตเตอรี่และเครื่องชาร์จของ DEWALT เท่านั้น

การใส่และการถอดแบตเตอรี่ออกจากเครื่องมือ (รูป B)

หมายเหตุ: ตรวจสอบให้แน่ใจว่าได้ชาร์จแบตเตอรี่ 1 เต็มแล้ว

เมื่อต้องการใส่แบตเตอรี่ลงในด้ามจับของเครื่องมือ

- วางแบตเตอรี่ 1 ให้ตรงกับรางภายในด้ามจับของเครื่องมือ (รูป B)
- เลื่อนแบตเตอรี่เข้าไปในด้ามจับจนกระทั่งแบตเตอรี่เข้าไปอยู่ในเครื่องมือสนิท และตรวจสอบให้แน่ใจว่าแบตเตอรี่จะไม่เลื่อนหลุดออก

เมื่อต้องการถอดแบตเตอรี่ออกจากเครื่องมือ

1. กดปุ่มปลดล็อกแบตเตอรี่ **2** จากนั้นจับแบตเตอรี่ให้กระชับและดึงออกจากตัวจับ
2. ใส่แบตเตอรี่ลงในเครื่องชาร์จตามที่บรรยายในส่วนของเครื่องชาร์จในคู่มือฉบับนี้

ชุดแบตเตอรี่ที่มีตัวบอกระดับประจุ (รูป B)

ชุดแบตเตอรี่ DEWALT บางรุ่นมีตัวบอกระดับประจุซึ่งประกอบด้วยไฟ LED สีเขียวสามดวงที่ใช้บอกระดับของประจุที่เหลืออยู่ในก้อนแบตเตอรี่

หากต้องการให้ตัวบอกระดับประจุนี้อยู่ที่ทำงาน ให้กดปุ่มตัวบอกระดับประจุค้างไว้ ไฟ LED สีเขียวสามดวงนี้จะติดสว่างในรูปแบบต่างๆ ที่สามารถบอกระดับประจุที่เหลืออยู่ได้ เมื่อระดับประจุในแบตเตอรี่ต่ำกว่าขีดจำกัดที่ใช้ทำงานได้ ตัวบอกระดับประจุจะไม่ติดสว่าง และจะต้องชาร์จแบตเตอรี่ใหม่

หมายเหตุ: ตัวบอกระดับประจุเป็นเพียงตัวบอกระดับประจุที่เหลืออยู่ในแบตเตอรี่เท่านั้น ไม่ได้ระบุฟังก์ชันการทำงานของเครื่องมือ และอาจมีการเปลี่ยนแปลงขึ้นกับรุ่นประกอบของผลิตภัณฑ์ อุปกรณ์และการใช้งานของผู้ใช้

คลิกหนีบเข็มขัดและแม่เหล็กยึดดอกไขควง (รูป A) (อุปกรณ์เสริม)

คำเตือน: เพื่อลดความเสี่ยงอันตรายจะก่อให้เกิดการบาดเจ็บสาหัส ห้ามแขวนเครื่องมือไว้เหนือศีรษะหรือแขวนไว้ติดกับคลิกหนีบเข็มขัด ให้แขวนคลิกหนีบเข็มขัดของเครื่องมือกับเข็มขัดที่รัดคาดเอวเท่านั้น

คำเตือน: เพื่อลดความเสี่ยงจากการบาดเจ็บสาหัส โปรดตรวจสอบให้แน่ใจว่าได้ขันสกรูยึดคลิกหนีบเข็มขัดแน่นหนาแล้ว

ข้อสำคัญ: เมื่อใส่หรือเปลี่ยนคลิกหนีบเข็มขัดหรือที่จับดอกสว่านแบบแม่เหล็ก ให้ใช้เฉพาะสกรูที่ใหม่พร้อมกัน เครื่องมือเท่านั้น ตรวจสอบให้แน่ใจว่าได้ขันสกรูแน่นหนาแล้ว คุณสามารถใส่คลิกหนีบเข็มขัด **11** และที่จับดอกสว่านแบบแม่เหล็ก **13** เข้ากับเครื่องมือทางด้านใดด้านหนึ่งก็ได้ โดยใช้เฉพาะสกรู **12** ที่ใหม่พร้อมกันเครื่องมือเท่านั้น เพื่อช่วยให้ใช้งานได้อย่างสะดวกสำหรับผู้ถือมือซ้ายหรือมือขวา หากไม่ต้องการใช้คลิกหนีบเข็มขัดหรือที่จับดอกสว่านแบบแม่เหล็ก ก็สามารถถอดออกจากเครื่องได้ หากต้องการเปลี่ยนตำแหน่งคลิกหนีบเข็มขัดหรือที่จับดอกสว่านแบบแม่เหล็ก ให้ถอดสกรู **12** ที่ยึดคลิกหรือตัวหนีบ จากนั้นนำไปใส่ที่อีกด้านหนึ่งแทน ตรวจสอบให้แน่ใจว่าได้ขันสกรูแน่นหนาแล้ว

การติดตั้งดอกสว่านหรืออุปกรณ์เสริมกับหัวจับดอกสว่านแบบไม่ใช้จำปา (รูป D)

คำเตือน: อย่าพยายามขันดอกสว่าน (หรืออุปกรณ์เสริมใดๆ) ให้แน่นด้วยการจับที่ด้านหน้าของตัวจับดอกสว่านแล้วเปิดเครื่องมือ เพราะอาจทำให้ตัวจับดอกสว่านเสียหายหรือเกิดการบาดเจ็บได้ ให้ถอดสวิตช์เสมอ และไม่ให้เครื่องมือเชื่อมต่อกับแหล่งจ่ายไฟขณะที่เปลี่ยนอุปกรณ์เสริม



คำเตือน: ตรวจสอบให้แน่ใจทุกครั้งว่าได้ยึดดอกสว่านแน่นดีแล้วก่อนเริ่มใช้เครื่องมือ ดอกสว่านที่จับไม่แน่นอาจดีดออกจากเครื่องมือทำให้อาจเกิดการบาดเจ็บได้

เครื่องมือของคุณมีตัวจับดอกสว่านแบบไม่ใช้จำปา **10** และมีปลอกแบบหมุนทางเดียว **9** เพื่อให้สามารถหมุนตัวจับดอกสว่านด้วยมือเดียวได้ ถ้าต้องการใส่ดอกสว่านหรืออุปกรณ์เสริม ให้ทำตามขั้นตอนต่อไปนี้

1. ปิดเครื่องมือและถอดชุดแบตเตอรี่ออก
2. จับปลอกสีเทาของตัวจับดอกสว่านด้วยมือข้างหนึ่ง และใช้มืออีกข้างหนึ่งยึดเครื่องมือให้แน่น หมุนปลอกทวนเข็มนาฬิกาให้กว้างพอที่จะใส่อุปกรณ์เสริมที่ต้องการได้
3. ใส่อุปกรณ์เสริมให้เข้าไปในตัวจับดอกสว่านประมาณ 19 มม. และขันให้แน่นด้วยการหมุนปลอกของตัวจับดอกสว่านตามเข็มนาฬิกาด้วยมือข้างหนึ่งขณะที่จับเครื่องมือด้วยมืออีกข้างหนึ่ง เครื่องมือนี้มีกลไกล็อกแกนหมุนอัตโนมัติ จึงทำให้คุณสามารถเปิดและปิดตัวจับดอกสว่านได้ด้วยมือเดียว

ต้องแน่ใจว่าได้ขันตัวจับดอกสว่านให้แน่นแล้วโดยที่มีมือข้างหนึ่งจับอยู่ที่ปลอกของตัวจับและมืออีกข้างหนึ่งจับเครื่องมือไว้เพื่อให้เกิดความแน่นสูงสุด

ถ้าต้องการปลดล็อกอุปกรณ์เสริม ให้ทำซ้ำขั้นตอนที่ 1 และ 2 ข้างต้น

การเลือกความเร็ว (รูป A)

เครื่องมือมีการตั้งค่าความเร็วสองแบบเพื่อความหลากหลายที่มากขึ้น

หมายเหตุ: อย่าเปลี่ยนความเร็วขณะที่เครื่องกำลังทำงาน ปล่อยให้เครื่องมือหยุดสนิทก่อนแล้วจึงเปลี่ยนความเร็วเสมอ

1. ถ้าต้องการเลือกเกียร์ 1 (ตั้งค่าแรงบิดสูง) ให้ปิดเครื่องมือและปล่อยให้เครื่องมือหยุดหมุนเอง เลื่อนตัวเลือกความเร็ว **7** ไปข้างหลัง (ออกห่างจากหัวจับดอกสว่าน)
2. ถ้าต้องการเลือกความเร็ว 2 (ตั้งค่าความเร็วสูง) ให้ปิดเครื่องมือและปล่อยให้เครื่องมือหยุดหมุนเอง เลื่อนตัวเลือกความเร็ว **7** ไปข้างหน้า (เข้าใกล้หัวจับดอกสว่าน)

หากเครื่องมือไม่เปลี่ยนความเร็ว ให้ดูให้แน่ใจว่าสวิตช์ตัวเลือกความเร็วอยู่ในตำแหน่งเดินหน้าหรือถอยหลังแล้วหรือไม่

การเลือกโหมด (รูป A)

สามารถใช้ปุ่มปรับเลือกโหมดการทำงาน **6** ในการเลือกโหมดการทำงานที่ถูกต้องได้โดยขึ้นอยู่กับการใช้งานที่วางแผนไว้

หากต้องการเลือก ให้หมุนปุ่มให้สัญลักษณ์ที่ต้องการตรงกับลูกศร

สัญลักษณ์	โหมด
	การเจาะ
1-15	การขันสกรู (หมายเลขสูงขึ้น = แรงบิดเยอะขึ้น)
T	การเจาะกระแทก (เฉพาะ DCD709 เท่านั้น)

สวิตช์ปรับระดับความเร็วและ ปุ่มควบคุมการเดินหน้า/ถอยหลัง (รูป A, E)

เปิดและปิดใช้งานส่วนโดยการกดและปล่อยสวิตช์ความเร็ว 4 ยิ่งกดสวิตช์ให้ลึกเท่าใด ความเร็วของส่วนก็จะสูงขึ้นเท่านั้น เครื่องมือนี้มีเบรกติดตั้งอยู่ ตัวจับดอกไขควงจะหยุดทำงานทันทีที่ปล่อยสวิตช์จนสุด

ปุ่มควบคุมการเดินหน้า/ถอยหลัง 5 จะควบคุมทิศทางการหมุนของเครื่องมือ รวมทั้งทำหน้าที่เป็นปุ่มล็อคให้อยู่ในตำแหน่งบังคับอีกด้วย

- หากต้องการเลือกทิศทางการทำงานไปด้านหน้า ให้ปล่อยสวิตช์แล้วกดปุ่มควบคุมการเดินหน้า/ถอยหลังไปทางด้านขวาของเครื่องมือ
- หากต้องการเลือกทิศทางการทำงานไปด้านหลัง ให้กดปุ่มควบคุมการเดินหน้า/ถอยหลังไปทางด้านซ้ายของเครื่องมือ

หมายเหตุ: ตำแหน่งตรงกลางของปุ่มควบคุมจะใช้ล็อกเครื่องมือให้อยู่ในตำแหน่งปิดการทำงาน เมื่อจะเปลี่ยนตำแหน่งของปุ่มควบคุม ต้องแน่ใจว่าได้ปล่อยสวิตช์แล้ว

หมายเหตุ: ไม่แนะนำให้ใช้การปรับระดับความเร็วอย่างต่อเนื่องเป็นเวลานาน การใช้งานลักษณะนี้อาจทำให้สวิตช์เสียหายได้และควรหลีกเลี่ยง

หมายเหตุ: คุณอาจได้ยินเสียงแกรกเมื่อเดินเครื่องครั้งแรกหลังจากเปลี่ยนทิศทางการทำงาน นี่เป็นสภาพปกติของเครื่องมือและไม่ได้แสดงว่าเครื่องเกิดปัญหาแต่อย่างใด

การใช้งาน

วิธีการใช้เครื่อง

! **คำเตือน:** ทำตามคำแนะนำด้านความปลอดภัยและข้อกำหนดที่บังคับใช้เสมอ

! **คำเตือน:** เพื่อลดความเสี่ยงจากการบาดเจ็บสาหัส ให้ปิดเครื่องมือและถอดชุดแบตเตอรี่ออกจากรีโมทก่อนทำการปรับหรือการถอด/ติดตั้งอุปกรณ์ต่อพ่วงหรืออุปกรณ์เสริมต่างๆ การปลดเปิดเครื่องโดยไม่ได้ตั้งใจอาจเป็นสาเหตุให้เกิดการบาดเจ็บได้

ตำแหน่งการจับที่ถูกต้อง (รูป C)

! **คำเตือน:** เพื่อลดความเสี่ยงจากการบาดเจ็บที่รุนแรง ให้จับเครื่องมือในตำแหน่งที่ถูกต้องทุกครั้ง ดังแสดงในภาพ

! **คำเตือน:** เพื่อลดความเสี่ยงจากการได้รับบาดเจ็บสาหัส จะต้องจับเครื่องมือให้แน่นทุกครั้ง เพื่อเตรียมพร้อมสำหรับแรงปฏิกิริยาที่เกิดขึ้นแบบทันทีทันใด

ตำแหน่งของการจับที่ถูกต้องคือ มือหนึ่งอยู่บนมือจับหลัก 3 อีกมือหนึ่งอยู่บนชุดแบตเตอรี่

ไฟส่องงาน (รูป A)

ไฟส่องสว่าง 8 จะอยู่ที่บริเวณด้านล่างของเครื่องมือ ไฟส่องงานจะทำงานเมื่อกดสวิตช์ เมื่อปล่อยสวิตช์ไฟส่องงานจะยังคงติดสว่างอยู่อีก 20 วินาที

หมายเหตุ: ไฟส่องงานใช้สำหรับส่องบริเวณที่ทำงานเบื้องหน้าเท่านั้น ไม่ใช่สำหรับใช้เป็นไฟฉาย

แสดงการใช้งาน (รูป A, D)

! **คำเตือน:** เพื่อลดความเสี่ยงจากการได้รับบาดเจ็บ ให้ตรวจสอบทุกครั้งว่าชิ้นงานได้ยึดหรือจับไว้แน่นหนาดีแล้ว

! **คำเตือน:** รอจนกระทั่งมอเตอร์หยุดนิ่งก่อนเปลี่ยนทิศทางการทำงานทุกครั้ง

ก่อนการทำงาน:

- ตั้งค่าตัวเลือกความเร็ว 7 ดูที่ **การเลือกความเร็ว**
- การติดตั้งดอกสว่านหรืออุปกรณ์เสริมที่เหมาะสมเข้ากับหัวจับดอกสว่าน ดูที่ **การติดตั้งดอกสว่านหรืออุปกรณ์เสริมกับหัวจับดอกสว่านแบบไม่ใช้จำปา**

! **คำเตือน:**

- ห้ามใช้เครื่องมือนี้เพื่อผสมหรือบ่มของเหลวไวไฟหรือที่สามารถระเบิดได้ (เช่น เบนซิน แอลกอฮอล์ เป็นต้น)
- ห้ามผสมหรือวางของเหลวที่ติดป้ายฉลากของเหลวไวไฟ

การขันสกรู

เครื่องมือของคุณมีคลัตช์พร้อมด้วยแรงบิดที่สามารถปรับได้สำหรับการหมุนและเลื่อนปรับให้ช่องว่างของรูปร่างและขนาดของที่ยึดลดลง ตัวเลขบนปุ่มปรับเลือกโหมดการทำงาน 6 ใช้สำหรับการตั้งค่าแรงบิดสำหรับการขันสกรู ตัวเลขยิ่งมาก แรงบิดจะยิ่งสูง และสามารถขันด้วยยึดที่ใหญ่ขึ้นด้วย

1. หมุนปลอกปรับตัวเลือกโหมด 6 ไปยังตำแหน่งที่ต้องการ ดูที่ **ตัวเลือกโหมด**
2. กดสวิตช์โดยใช้แรงดันต้นตรงดอกสว่านจนตัวยึดเข้าไปในตำแหน่งความลึกที่ต้องการในชิ้นงาน

คำแนะนำสำหรับการขันสกรู

- ให้เริ่มด้วยค่าแรงบิดต่ำจนทุกครั้ง แล้วเพิ่มแรงบิดให้สูงขึ้น เพื่อหลีกเลี่ยงความเสียหายที่จะเกิดกับชิ้นงานหรือตัวยึด
- ลองฝึกกับเศษวัสดุหรือกับบริเวณชิ้นงานที่มองไม่เห็นก่อน เพื่อหาตำแหน่งที่เหมาะสมของปลอกปรับตัวเลือกโหมด

การเจาะ 6

1. หมุนปลอกปรับตัวเลือกโหมด 6 ไปยังสัญลักษณ์การเจาะ ดูที่ **ตัวเลือกโหมด**
2. วางดอกสว่านให้ติดกับชิ้นงาน
หมายเหตุ: ใช้ดอกสว่านที่คมเท่านั้น
3. กดสวิตช์ โดยใช้แรงดันต้นตรงดอกสว่านจนตัวยึดเข้าไปในตำแหน่งความลึกที่ต้องการในชิ้นงาน

! **คำเตือน:** ส่วนอาจหยุดกลางคันถ้าทำงานหนักเกินไปซึ่งจะทำให้เกิดการบิดทันที เตรียมพร้อมหากเครื่องมือหยุดทำงานกลางคัน จับส่วนให้แน่นเพื่อควบคุมการสับัดและไม่ให้เกิดการบาดเจ็บ

4. มอเตอร์ต้องทำงานอยู่ในขณะที่ดึงดอกสว่านย้อนออกมาจากรูที่เจาะไว้เพื่อป้องกันการติดขัด

คำแนะนำสำหรับการเจาะ

- ในขณะที่เจาะให้ออกแรงกดเป็นแนวตรงกับดอกสว่านเสมอ แต่ต้องไม่ออกแรงมากเกินไปจนมอเตอร์หยุดหรือดอกสว่านเสียรูป
- หากส่วนหยุดทำงานกลางคัน:

- ให้ปลั๊กสวิทช์ไฟ ทันที และถอดดอกสว่านออกจากชิ้นงาน แล้วหาสาเหตุที่ทำให้เครื่องหยุด
- ห้ามเปิดและปิดสวิทช์ปรับระดับความเร็วเพื่อเปลี่ยนเครื่องขณะที่เครื่องยังค้างอยู่ เพราะอาจทำให้ส่วนชำรุดเสียหายได้
- เพื่อให้การหยุดกลางคันหรือการทำให้วัสดุแตกหักเหล็บบ้อยที่สุด ให้ลดแรงกดที่กระทำต่อสว่านและคลายดอกสว่านผ่านทางรูของชิ้นงาน

- การเจาะรูขนาดใหญ่ (7.9 มม. ถึง 12.7 มม.) ในเหล็กจะสามารถทำได้ง่ายขึ้นถ้าเจาะรูนำร่อง (4 มม. ถึง 4.8 มม.) ก่อน
- หากเจาะวัสดุบางหรือวัสดุที่อาจแตกกระเด็น ให้รองด้วยบล็อกไม้เพื่อป้องกันไม่ให้วัสดุเสียหาย

การเจาะกระแทก

-  **คำเตือน:** สวมอุปกรณ์ป้องกันระบบทางเดินหายใจให้ถูกต้องเหมาะสม เก็บเศษฝุ่นที่หลงเหลืออยู่ด้วยเครื่องดูดฝุ่นหรือระบบกักเก็บฝุ่นที่ออกแบบมาสำหรับการใช้งาน

เฉพาะรุ่น DCD709

ข้อสำคัญ: ใช้ดอกสว่านเจาะปูนหรือเจาะคอนกรีตที่รองรับสำหรับการเจาะกระแทกเท่านั้น

1. เลือกช่วงความเร็ว/แรงบิดที่ต้องการโดยใช้สวิทช์ตัวเลือกความเร็ว  ให้ตรงกับความเร็วและแรงบิดของการทำงานที่วางแผนไว้ หมุนปลอกปรับตัวเลือกโหมด  ไปยังสัญลักษณ์การเจาะกระแทก
2. กดสวิทช์ เจาะด้วยแรงกดพอสมควรเพื่อไม่ให้ส่วนกระดอนมากเกินไปหรือไม่ให้ดอกสว่าน "โผล่" ออกจาก

คำแนะนำสำหรับการเจาะกระแทก

- การใช้แรงมากเกินไปจะทำให้ความเร็วในการเจาะลดลงเกิดความร้อนมากเกินไป และอัตราการเจาะต่ำลง
- เศษวัสดุที่ออกมาอย่างต่อเนื่องบ่งบอกถึงอัตราการเจาะที่เหมาะสม
- เจาะให้ตรง คอยดูให้ดอกสว่านตั้งฉากกับงานตลอดเวลา อย่าออกแรงกดดอกสว่านทางด้านข้างขณะเจาะ เพราะจะทำให้ดอกสว่านติดอยู่ในร่องและความเร็วในการเจาะช้าลง
- ขณะเจาะรู้สึก ถ้าความเร็วของสว่านเริ่มลดลง ให้ถอนสว่านออกจากรูบางส่วนโดยที่เครื่องมือยังคงทำงานอยู่ ทั้งนี้เพื่อช่วยจัดเศษวัสดุออกจากรู

การบำรุงรักษา

เครื่องมือไฟฟ้า DEWALT ออกแบบมาเพื่อให้สามารถใช้งานได้อย่างยาวนานต่อเนื่องด้วยการบำรุงรักษาน้อยที่สุด การทำงานที่สร้างความพึงพอใจอย่างต่อเนื่องจะขึ้นอยู่กับการดูแลรักษาที่เหมาะสมและการทำความสะอาดอย่างสม่ำเสมอ

-  **คำเตือน:** เพื่อลดความเสี่ยงจากการบาดเจ็บสาหัส ให้ปิดเครื่องมือและถอดชุดแบตเตอรี่ออกจากเครื่องมือก่อนทำการปรับหรือการถอด/ติดตั้งอุปกรณ์ต่อพ่วงหรืออุปกรณ์เสริมต่างๆ การเคลื่อนเปิดเครื่องโดยไม่ได้ตั้งอาจเป็นสาเหตุให้เกิดการบาดเจ็บได้

เครื่องชาร์จและชุดแบตเตอรี่ไม่สามารถซ่อมแซมได้



การหล่อลื่น

ไม่ต้องใช้สารหล่อลื่นเพิ่มเติมกับเครื่องมือไฟฟ้านี้



การทำความสะอาด

-  **คำเตือน:** หมั่นเป่าสิ่งสกปรกและฝุ่นละอองที่สะสมออกจากตัวเครื่องเป็นประจำด้วยลมแห้ง เนื่องจากสิ่งสกปรกมีสะสมอยู่ภายในและโดยรอบของระบายอากาศ สวมอุปกรณ์ป้องกันดวงตาและหน้ากากกันฝุ่นที่ได้มาตรฐานในขณะดำเนินการขั้นตอนนี้

-  **คำเตือน:** ห้ามใช้สารที่เป็นตัวทำละลายหรือสารเคมีที่มีฤทธิ์กัดกร่อนรุนแรงอื่นๆ ทำความสะอาดชิ้นส่วนของเครื่องมือที่ไม่ใช่โลหะ สารเคมีเหล่านี้ อาจกัดกร่อนวัสดุที่ใช้ในชิ้นส่วนเหล่านี้ ใช้เฉพาะผ้าชุบน้ำสบู่อ่อนๆ เท่านั้น อย่าให้มีของเหลวใดๆ เข้าไปในเครื่องมือเด็ดขาด ห้ามจุ่มส่วนใดๆ ของเครื่องมือลงในของเหลวเด็ดขาด

อุปกรณ์เสริม

-  **คำเตือน:** เนื่องจากอุปกรณ์เสริมอื่นนอกเหนือจากที่ DEWALT มีจำหน่าย ไม่ได้ผ่านการทดสอบร่วมกับผลิตภัณฑ์นี้ จึงอาจก่อให้เกิดอันตรายได้หากใช้อุปกรณ์เสริมดังกล่าวร่วมกับเครื่องมือนี้ เพื่อเป็นการลดความเสี่ยงที่จะได้รับบาดเจ็บ ให้ใช้อุปกรณ์เสริมเฉพาะที่ DEWALT แนะนำให้ใช้ร่วมกับผลิตภัณฑ์นี้เท่านั้น

โปรดติดต่อตัวแทนจำหน่ายหากต้องการข้อมูลเพิ่มเติมเกี่ยวกับอุปกรณ์เสริมที่เหมาะสม

การปกป้องสิ่งแวดล้อม

-  การเก็บรวบรวมแบบคัดแยก ห้ามทิ้งผลิตภัณฑ์และแบตเตอรี่ที่มีสัญลักษณ์นี้รวมกับขยะในครัวเรือนปกติ

ผลิตภัณฑ์และแบตเตอรี่ประกอบด้วยวัสดุที่สามารถนำกลับมาใช้ใหม่หรือรีไซเคิลได้ เพื่อลดความต้องการวัสดุที่โปรดรีไซเคิลอุปกรณ์ไฟฟ้าและแบตเตอรี่ตามข้อบังคับในท้องถิ่น ดูข้อมูลเพิ่มเติมได้ที่ www.2helpU.com

ชุดแบตเตอรี่แบบชาร์จซ้ำได้

แบตเตอรี่ที่มีอายุการใช้งานยาวนานนี้จำเป็นต้องรับการชาร์จไฟใหม่เมื่อไม่สามารถจ่ายพลังงานเพียงพอสำหรับการทำงานซึ่งเคยทำได้โดยง่าย เมื่อแบตเตอรี่หมดอายุการทำงานทางด้านเทคนิคแล้ว ให้นำแบตเตอรี่ไปกำจัดทิ้งโดยคำนึงถึงผลกระทบต่อสิ่งแวดล้อม:

- ใช้แบตเตอรี่ให้หมดเกลี้ยง จากนั้นถอดแบตเตอรี่ออกจากเครื่องมือ
- แบตเตอรี่ลิเทียมไอออนสามารถรีไซเคิลได้ โปรดนำไปที่ตัวแทนจำหน่ายหรือสถานีรีไซเคิลในพื้นที่ของคุณ ชุดแบตเตอรี่ที่เรารวบรวมได้จะนำไปรีไซเคิลหรือกำจัดอย่างเหมาะสมต่อไป

