

DEWALT®

DC820

DC822

DC825

DC827

DC830

DC832

DC835

DC837

DC840

DC845

www.DEWALT.com

Figure 1

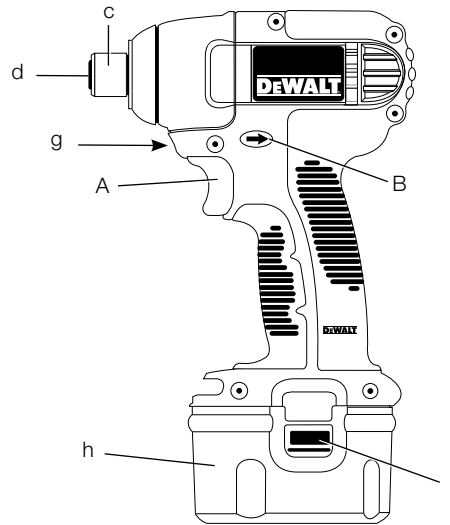


Figure 2

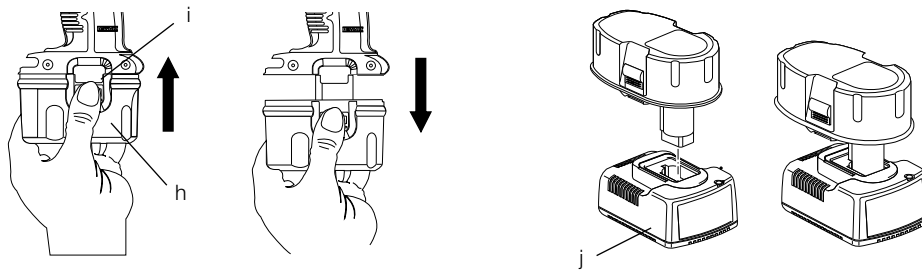


Figure 3

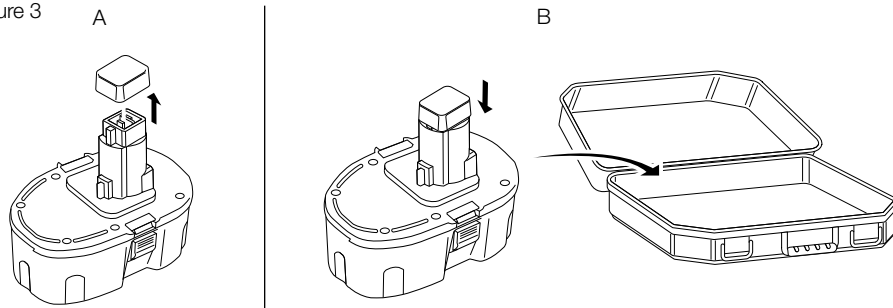


Figure 4

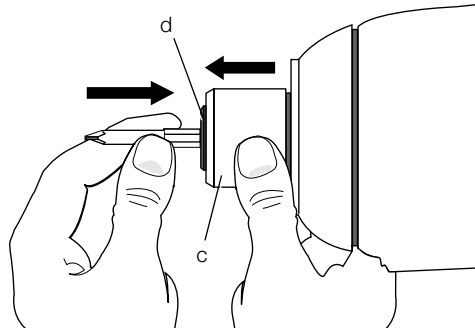
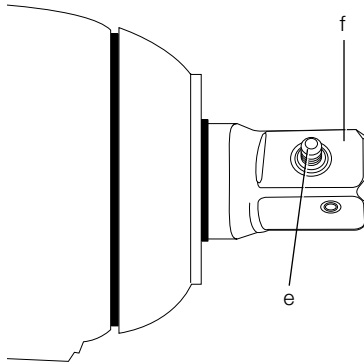


Figure 5



DC820, DC822, DC825, DC827, DC830, DC832, DC835, DC837, DC840, DC845

CORDLESS IMPACT WRENCHES/DRIVERS

Congratulations!

You have chosen a DEWALT tool. Years of experience, thorough product development and innovation make DEWALT one of the most reliable partners for professional power tool users.

Technical data

		DC820	DC822	DC825	DC827	DC830	DC832	DC835	DC837	DC840	DC845
Voltage	V _{DC}	18	18	18	18	14.4	14.4	14.4	14.4	12	12
Battery Type		NiCd/NiMH	–	NiCd/NiMH	–	NiCd/NiMH	–	NiCd/NiMH	–	NiCd/NiMH	NiCd/NiMH
		–	Li-Ion	–	Li-Ion	–	Li-Ion	–	Li-Ion	–	–
No-load speed	min ⁻¹	0-2400	0-2400	0-2400	0-2400	0-2400	0-2400	0-2400	0-2400	0-2400	0-2400
Impact	min ⁻¹	2700	2700	2700	2700	2700	2700	2700	2700	2700	2700
Max. torque	Nm	195	195	150	150	180	180	140	140	160	130
Tool holder		1/2"	1/2"	1/4"	1/4"	1/2"	1/2"	1/4"	1/4"	1/2"	1/4"
		Square	Square	Hex	Hex	Square	Square	Hex	Hex	Square	Hex
Max. bolt size	mm	M16	M16	M12	M12	M16	M16	M12	M12	M16	M12
Weight (without battery pack)	kg	0.98	0.96	0.98	0.96	0.96	0.96	0.96	0.96	0.96	0.96
Battery pack			DE9180	DE9503	DE9140	DE9502	DE9501				
Battery type			Li-Ion	NiMH	Li-Ion	NiMH	NiMH				
Voltage	V _{DC}		18	18	14.4	14.4	12				
Capacity	Ah		2.0	2.6	2.0	2.6	2.6				
Weight	kg		0.68	1.0	0.58	0.86	0.69				
Charger			DE9130	DE9135							
Mains voltage	V _{AC}		230	230							
Battery type			NiCd/NiMH	NiCd/NiMH/Li-Ion							
Approx. charging time	min		30	40							
			(2.0 Ah battery packs)	(2.0 Ah battery packs)							
Weight	kg		0.52	0.52							
Fuses:											
Europe		230 V tools		10 Amperes, mains							
U.K. & Ireland		230 V tools		13 Amperes, in plugs							

ENGLISH

Definitions: Safety Guidelines

The definitions below describe the level of severity for each signal word. Please read the manual and pay attention to these symbols.



DANGER: Indicates an imminently hazardous situation which, if not avoided, **will** result in **death or serious injury**.



WARNING: Indicates a potentially hazardous situation which, if not avoided, **could** result in **death or serious injury**.



CAUTION: Indicates a potentially hazardous situation which, if not avoided, **may** result in **minor or moderate injury**.

CAUTION: Used without the safety alert symbol indicates a potentially hazardous situation which, if not avoided, **may** result in **property damage**.



Denotes risk of electric shock.



Denotes risk of fire.

		DC820	DC822	DC825	DC827	DC830	DC832	DC835	DC837	DC840	DC845
L_{pA} (sound pressure)	dB(A)	91	91	90	90	91	91	90	90	91	90
K_{pA} (sound pressure uncertainty K)	dB(A)	3	3	3	3	3	3	3	3	3	3
L_{WA} (acoustic power)	dB(A)	102	102	101	101	102	102	101	101	102	101
K_{WA} (acoustic power uncertainty K)	dB(A)	3	3	3	3	3	3	3	3	3	3

Vibration total values (triax vector sum) determined according to EN60745:

Vibration			DC820	DC822	DC825	DC827	DC830	DC832	DC835	DC837	DC840	DC845
emission value	m/s ²		9.7	9.7	13.7	13.7	9.7	9.7	13.7	13.7	9.7	13.7
Uncertainty K	m/s ²		2.3	2.3	5.3	5.3	2.3	2.3	5.3	5.3	2.3	5.3

The declared vibration emission value has been measured in accordance with a standard test method and may be used for comparing one tool with another.

The declared vibration emission value may also be used in a preliminary assessment of exposure.



WARNING: The vibration emission value during actual use of the power tool can differ from the declared value depending on the ways in which the tool is used. This could lead to a significant underestimate of exposure when the tool is used regularly in such a way.

An estimation of the level of exposure to vibration experienced during a given period of work should also take into account the times when the tool is switched off and when it is running idle in addition to the trigger time.

This may significantly reduce the exposure level over the total working period.

EC-Declaration of conformity



DC820, DC822, DC825, DC827, DC830, DC832, DC835, DC837, DC840, DC845

DEWALT declares that these tools have been designed in compliance with:
98/37/EC, 89/336/EEC, 2006/95/EC, EN 60745-1, EN 60745-2-2, EN 55014-2, EN 55014-1.

For more information, please contact DEWALT at the address below, or refer to the back of the manual.

Director Engineering and Product Development
Horst Grossmann

DEWALT, Richard-Kliinger-Strasse 11,
D-65510, Idstein, Germany
16/08/2007



WARNING: To reduce the risk of injury, read the instruction manual.

General Power Tool Safety Warnings



WARNING! Read all safety warnings and instructions Failure to follow the warnings and instructions may result in electric shock, fire and/or serious injury.

SAVE ALL WARNINGS AND INSTRUCTIONS FOR FUTURE REFERENCE.

The term "power tool" in the warnings refers to your mains-operated (corded) power tool or battery-operated (cordless) power tool.

1) WORK AREA SAFETY

- a) **Keep work area clean and well lit.** Cluttered or dark areas invite accidents.
- b) **Do not operate power tools in explosive atmospheres, such as in the presence of flammable liquids, gases or dust.** Power tools create sparks which may ignite the dust or fumes.
- c) **Keep children and bystanders away while operating a power tool.** Distractions can cause you to lose control.

2) ELECTRICAL SAFETY

- a) **Power tool plugs must match the outlet. Never modify the plug in any way. Do not use any adapter plugs with earthed (grounded) power tools.** Unmodified plugs and matching outlets will reduce risk of electric shock.
- b) **Avoid body contact with earthed or grounded surfaces such as pipes, radiators, ranges and refrigerators.** There is an increased risk of electric shock if your body is earthed or grounded.
- c) **Do not expose power tools to rain or wet conditions.** Water entering a power tool will increase the risk of electric shock.
- d) **Do not abuse the cord. Never use the cord for carrying, pulling or unplugging the power tool. Keep cord away from heat, oil, sharp edges or moving parts.** Damaged or entangled cords increase the risk of electric shock.
- e) **When operating a power tool outdoors, use an extension cord suitable for outdoor use.** Use of a cord suitable for outdoor use reduces the risk of electric shock.
- f) **If operating a power tool in a damp location is unavoidable, use a residual current device (RCD) protected supply.** Use of an RCD reduces the risk of electric shock.

3) PERSONAL SAFETY

- a) **Stay alert, watch what you are doing and use common sense when operating a power tool. Do not use a power tool while you are tired or under the influence of drugs, alcohol or medication.** A moment of inattention while operating power tools may result in serious personal injury.
- b) **Use personal protective equipment. Always wear eye protection.** Protective equipment such as dust mask, non-skid safety shoes, hard hat, or hearing protection used for appropriate conditions will reduce personal injuries.
- c) **Prevent unintentional starting. Ensure the switch is in the off position before connecting to power source and/or battery pack, picking up or carrying the tool.** Carrying power tools with your finger on the switch or energising power tools that have the switch on invites accidents.
- d) **Remove any adjusting key or wrench before turning the power tool on.** A wrench or a key left attached to a rotating part of the power tool may result in personal injury.
- e) **Do not overreach. Keep proper footing and balance at all times.** This enables better control of the power tool in unexpected situations.
- f) **Dress properly. Do not wear loose clothing or jewellery. Keep your hair, clothing and gloves away from moving parts.** Loose clothes, jewellery or long hair can be caught in moving parts.
- g) **If devices are provided for the connection of dust extraction and collection facilities, ensure these are connected and properly used.** Use of dust collection can reduce dust-related hazards.

4) POWER TOOL USE AND CARE

- a) **Do not force the power tool. Use the correct power tool for your application.** The correct power tool will do the job better and safer at the rate for which it was designed.
- b) **Do not use the power tool if the switch does not turn it on and off.** Any power tool that cannot be controlled with the switch is dangerous and must be repaired.
- c) **Disconnect the plug from the power source and/or the battery pack from the power tool before making any adjustments, changing accessories, or storing power tools.** Such preventive safety

ENGLISH

measures reduce the risk of starting the power tool accidentally.

- d) **Store idle power tools out of the reach of children and do not allow persons unfamiliar with the power tool or these instructions to operate the power tool.** Power tools are dangerous in the hands of untrained users.
- e) **Maintain power tools. Check for misalignment or binding of moving parts, breakage of parts and any other condition that may affect the power tool's operation. If damaged, have the power tool repaired before use.** Many accidents are caused by poorly maintained power tools.
- f) **Keep cutting tools sharp and clean.** Properly maintained cutting tools with sharp cutting edges are less likely to bind and are easier to control.
- g) **Use the power tool, accessories and tool bits etc., in accordance with these instructions taking into account the working conditions and the work to be performed.** Use of the power tool for operations different from those intended could result in a hazardous situation.

5) BATTERY TOOL USE AND CARE

- a) **Recharge only with the charger specified by the manufacturer.** A charger that is suitable for one type of battery pack may create a risk of fire when used with another battery pack.
- b) **Use power tools only with specifically designated battery packs.** Use of any other battery packs may create a risk of injury and fire.
- c) **When battery pack is not in use, keep it away from other metal objects like paper clips, coins, keys, nails, screws or other small metal objects that can make a connection from one terminal to another.** Shorting the battery terminals together may cause burns or a fire.
- d) **Under abusive conditions, liquid may be ejected from the battery, avoid contact. If contact accidentally occurs, flush with water. If liquid contacts eyes, additionally seek medical help.** Liquid ejected from the battery may cause irritation or burns.

6) SERVICE

- a) **Have your power tool serviced by a qualified repair person using only identical replacement parts.** This will ensure that the safety of the power tool is maintained.

ADDITIONAL SPECIFIC SAFETY RULES

Safety Instructions for All Impact Drills

- **Wear ear protectors with impact drills.** Exposure to noise can cause hearing loss.
- **Use auxiliary handles supplied with the tool.** Loss of control can cause personal injury.
- **Hold power tools by insulated gripping surfaces when performing an operation where the cutting tool may contact hidden wiring or its own cord.** Contact with a "live" wire will make exposed metal parts of the tool "live" and shock the operator.
- **Use clamps or other practical way to secure and support the workpiece to a stable platform.** Holding the work by hand or against your body is unstable and may lead to loss of control.
- **Wear safety goggles or other eye protection.** Hammering and drilling operations cause chips to fly. Flying particles can cause permanent eye damage.
- **Bits, sockets and tools get hot during operation.** Wear gloves when touching them.
- **Do not operate this tool for long periods of time.** Vibration caused by tool action may be harmful to your hands and arms. Use gloves to provide extra cushion and limit exposure by taking frequent rest periods.

Residual risks

In spite of the application of the relevant safety regulations and the implementation of safety devices, certain residual risks cannot be avoided. These are:

- Impairment of hearing
- Risk of personal injury due flying particles.
- Risk of burns due to accessories becoming hot during operation.
- Risk of personal injury due to prolonged use.

Labels on tool

The following pictograms are shown on the tool:



Wear ear protection.



Wear eye protection.

DATE CODE POSITION

Date Code, which also includes the year of manufacture, is printed into the housing surface that forms the mounting joint between tool and battery!

Example:

2007 XX XX

Year of Manufacture

Important Safety Instructions for All Battery Chargers

SAVE THESE INSTRUCTIONS: This manual contains important safety and operating instructions for the DE9130/DE9135 battery chargers.

- Before using charger, read all instructions and cautionary markings on charger, battery pack, and product using battery pack.



DANGER: Electrocution hazard. 230 volts are present at charging terminals. Do not probe with conductive objects. Electric shock or electrocution may result.



WARNING: Shock hazard. Do not allow any liquid to get inside charger. Electric shock may result.



CAUTION: Burn hazard. To reduce the risk of injury, charge only DEWALT rechargeable batteries. Other types of batteries may burst causing personal injury and damage.



CAUTION: Under certain conditions, with the charger plugged in to the power supply, the exposed charging contacts inside the charger can be shorted by foreign material. Foreign materials of a conductive nature such as, but not limited to, steel wool, aluminum foil, or any buildup of metallic particles should be kept away from charger cavities. Always unplug the charger from the power supply when there is no battery pack in the cavity. Unplug charger before attempting to clean.

- **DO NOT attempt to charge the battery pack with any chargers other than the ones in this manual.** The charger and battery pack are specifically designed to work together.
- **These chargers are not intended for any uses other than charging DEWALT rechargeable batteries.** Any other uses may result in risk of fire, electric shock or electrocution.
- **Do not expose charger to rain or snow.**
- **Pull by plug rather than cord when disconnecting charger.** This will reduce risk of damage to electric plug and cord.
- **Make sure that cord is located so that it will not be stepped on, tripped over, or otherwise subjected to damage or stress.**
- **Do not use an extension cord unless it is absolutely necessary.** Use of improper extension cord could result in risk of fire, electric shock, or electrocution.
- **An extension cord must have adequate wire size (AWG or American Wire Gauge) for safety.** The smaller the gauge number of the wire, the greater the capacity of the cable, that is 16 gauge has more capacity than 18 gauge. When using more than one extension to make up the total length, be sure each individual extension contains at least the minimum wire size.
- **Do not place any object on top of charger or place the charger on a soft surface that might block the ventilation slots and result in excessive internal heat.** Place the charger in a position away from any heat source. The charger is ventilated through slots in the top and the bottom of the housing.
- **Do not operate charger with damaged cord or plug** — have them replaced immediately.
- **Do not operate charger if it has received a sharp blow, been dropped, or otherwise damaged in any way.** Take it to an authorized service center.
- **Do not disassemble charger; take it to an authorized service center when service or repair is required.** Incorrect reassembly may result in a risk of electric shock, electrocution or fire.
- **Disconnect the charger from the outlet before attempting any cleaning.** This will reduce the risk of electric shock. Removing the battery pack will not reduce this risk.
- **NEVER attempt to connect 2 chargers together.**
- **The charger is designed to operate on standard 230V household electrical power. Do not attempt to use it on any other voltage.** This does not apply to the vehicular charger.

SAVE THESE INSTRUCTIONS

ENGLISH

Chargers

The DE9130 charger accepts 7.2 – 18 V NiCd and NiMH batteries.

The DE9135 charger accepts 7.2 – 18 V NiCd, NiMH or Li-Ion batteries.

These chargers require no adjustment and are designed to be as easy as possible to operate.

Charging Procedure



DANGER: *Electrocution hazard. 230 volts present at charging terminals. Do not probe with conductive objects. Danger of electric shock or electrocution.*

1. Plug the charger (j) into an appropriate outlet before inserting battery pack.
2. Insert the battery pack (h) into the charger. The red (charging) light will blink continuously indicating that the charging process has started.
3. The completion of charge will be indicated by the red light remaining ON continuously. The pack is fully charged and may be used at this time or left in the charger.

Charging process

Refer the table below for the state of charge of the battery pack.

State of charge	
charging	— — — — —
fully charged	—————
hot/cold pack delay	— — — — —
replace battery pack	●●●●●●●●
problem	●●●●●●

Automatic refresh

The automatic refresh mode will equalise or balance the individual cells in the battery pack at its peak capacity. Battery packs should be refreshed weekly or whenever the pack no longer delivers the same amount of work.

To refresh your battery pack, place the battery in the charger as usual. Leave the battery pack for at least 8 hours in the charger.

Hot/Cold Pack Delay

When the charger detects a battery that is too hot or too cold, it automatically starts a Hot/Cold Pack Delay, suspending charging until the battery has reached an appropriate temperature. The charger

then automatically switches to the pack charging mode. This feature ensures maximum battery life.

DEEP DISCHARGE PROTECTION

The battery pack is protected against deep discharging when it is used in the tool.

Important Safety Instructions for All Battery Packs

When ordering replacement battery packs, be sure to include catalog number and voltage. Consult the chart at the end of this manual for compatibility of chargers and battery packs.

The battery pack is not fully charged out of the carton. Before using the battery pack and charger, read the safety instructions below. Then follow charging procedures outlined.

READ ALL INSTRUCTIONS

- **Do not charge or use battery in explosive atmospheres, such as in the presence of flammable liquids, gases or dust.** Inserting or removing the battery from the charger may ignite the dust or fumes.
- Charge the battery packs only in DEWALT chargers.
- **DO NOT** splash or immerse in water or other liquids.
- **Do not store or use the tool and battery pack in locations where the temperature may reach or exceed 40° C (105° F) (such as outside sheds or metal buildings in summer).**



DANGER: *Electrocution hazard. Never attempt to open the battery pack for any reason. If battery pack case is cracked or damaged, do not insert into charger. Electric shock or electrocution may result. Damaged battery packs should be returned to service center for recycling.*



WARNING: *Never attempt to open the battery pack for any reason. If battery pack case is cracked or damaged, do not insert into charger. Do not crush, drop or damage battery pack. Do not use a battery pack or charger that has received a sharp blow, been dropped, run over or damaged in any way (i.e., pierced with a nail, hit with a hammer, stepped on). Damaged battery packs should be returned to service center for recycling.*



CAUTION: When not in use, place tool on its side on a stable surface where it will not cause a tripping or falling hazard. Some tools with large battery packs will stand upright on the battery pack but may be easily knocked over.

SPECIFIC SAFETY INSTRUCTIONS FOR NICKEL CADMIUM (NiCd) OR NICKEL METAL HYDRIDE (NiMH)

- Do not incinerate the battery pack even if it is severely damaged or is completely worn out. The battery pack can explode in a fire.
- A small leakage of liquid from the battery pack cells may occur under extreme usage or temperature conditions. This does not indicate a failure.

However, if the outer seal is broken:

- a. and the battery liquid gets on your skin, immediately wash with soap and water for several minutes.
- b. and the battery liquid gets into your eyes, flush them with clean water for a minimum of 10 minutes and seek immediate medical attention. **(Medical note:** The liquid is 25-35% solution of potassium hydroxide.)

SPECIFIC SAFETY INSTRUCTIONS FOR LITHIUM ION (LI-ION)

- Do not incinerate the battery pack even if it is severely damaged or is completely worn out. The battery pack can explode in a fire. Toxic fumes and materials are created when lithium ion battery packs are burned.
- If battery contents come into contact with the skin, immediately wash area with mild soap and water. If battery liquid gets into the eye, rinse water over the open eye for 15 minutes or until irritation ceases. If medical attention is needed, the battery electrolyte is composed of a mixture of liquid organic carbonates and lithium salts.
- Contents of opened battery cells may cause respiratory irritation. Provide fresh air. If symptoms persists, seek medical attention.



WARNING: Burn hazard. Battery liquid may be flammable if exposed to spark or flame.

Battery Cap (fig. 3)

A protective battery cap is supplied to cover the contacts of a detached battery pack. Without the protective cap in place, loose metal objects could

short circuit the contacts, causing a fire hazard and damaging the battery pack.

1. Take off the protective battery cap before placing the battery pack in the charger or tool (Fig. 3A).
2. Place the protective cap over the contacts immediately after removing the battery pack from the charger or tool (Fig. 3B).



WARNING: Make sure the protective battery cap is in place before storing or carrying a detached battery pack.

Battery pack (fig. 1)

BATTERY TYPE

The DC820, DC822, DC825 and DC827 operate on 18 volt battery packs.

The DC830, DC832, DC835 and DC837 operate on 14.4 volt battery packs.

The DC840 and DC845 operate on 12 volt battery packs.

Storage Recommendations

1. The best storage place is one that is cool and dry away from direct sunlight and excess heat or cold.
2. Long storage will not harm the battery pack or charger. Under proper conditions, they can be stored for 5 years or more.

Labels on charger and battery pack

In addition to the pictographs used in this manual, the labels on the charger and the battery pack show the following pictographs:



Read instruction manual before use.



Battery charging.



Battery charged.



Battery defective.



Hot/cold pack delay.



Do not probe with conductive objects.



Do not charge damaged battery packs.

ENGLISH



Use only with DEWALT battery packs, others may burst, causing personal injury and damage.



Do not expose to water.



Have defective cords replaced immediately.



Charge only between 4 °C and 40 °C.



Discard the battery pack with due care for the environment.



Do not incinerate the battery pack NiMH, NiCd+ and Li-Ion.



Charges NiMH and NiCd battery packs.



Charges Li-Ion battery packs.



See technical data for charging time.

Package contents

The package contains:

- 1 Cordless Impact Driver/Wrench
- 2 Battery packs
- 1 Charger
- 1 Instruction manual
- 1 Exploded drawing

NOTE: Battery packs and chargers are not included with N-models.

- Check for damage to the tool, parts or accessories which may have occurred during transport.
- Take the time to thoroughly read and understand this manual prior to operation.

Description (fig. 1–5)



WARNING: Never modify the power tool or any part of it. Damage or personal injury could result.

INTENDED USE

These heavy-duty impact wrenches/drivers are designed for professional impact screwdriving applications.

The impact function makes this tool particularly useful for driving fasteners in wood, metal and concrete.

DO NOT use under wet conditions or in presence of flammable liquids or gases.

These impact wrenches/drivers are professional power tools. **DO NOT** let children come into contact with the tool. Supervision is required when inexperienced operators use this tool.

- a. Trigger switch
- b. Forward/reverse button
- c. Sleeve
- d. 1/4" hex quick-release chuck
- e. Detent pin
- f. Anvil
- g. Worklight
- h. Battery pack
- i. Battery release buttons

Electrical safety

The electric motor has been designed for one voltage only. Always check that the battery pack voltage corresponds to the voltage on the rating plate. Also make sure that the voltage of your charger corresponds to that of your mains.



Your DEWALT charger is double insulated in accordance with EN 60335; therefore no earth wire is required.

If the supply cord is damaged, it must be replaced by a specially prepared cord available through the DEWALT service organization.

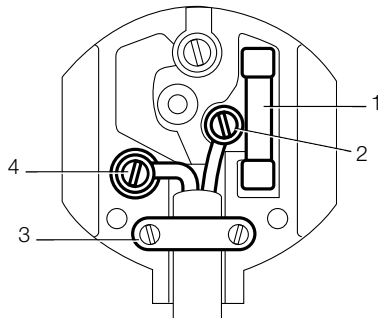
Mains plug replacement (U.K. & Ireland only)



DANGER:

- Should your mains plug need replacing and you are competent to do this, proceed as instructed below. If you are in doubt, contact an authorized DEWALT repair agent or a qualified electrician.
- Disconnect the plug from the supply.
- Cut off the plug and dispose of it safely; a plug with bared copper conductors is dangerous if engaged in a live socket outlet.
- Only fit 13 Amperes BS1363A approved plugs fitted with the correctly rated fuse (1).

- The cable wire colours, or a letter, will be marked at the connection points of most good quality plugs. Attach the wires to their respective points in the plug (see below). Brown is for Live (L) (2) and Blue is for Neutral (N) (4).
- Before replacing the top cover of the mains plug ensure that the cable restraint (3) is holding the outer sheath of the cable firmly and that the two leads are correctly fixed at the terminals crews.



WARNING: NEVER use a light socket. NEVER connect the live (L) or neutral (N) wires to the earth pin marked E or \perp .

Using an extension cable

An extension cord should not be used unless absolutely necessary. Use an approved extension cable suitable for the power input of your charger (see technical data). The minimum conductor size is 1 mm²; the maximum length is 30 m.

When using a cable reel, always unwind the cable completely.

ASSEMBLY AND ADJUSTMENTS

WARNING: Prior to assembly and adjustment, always remove the battery pack. Always switch off the tool before inserting or removing the battery pack.

WARNING: Use only DEWALT battery packs and chargers.

Inserting and removing the battery pack from the tool (fig. 2)

WARNING: To reduce the risk of serious personal injury, turn tool off and disconnect battery pack before making any adjustments or removing/installing attachments or accessories. An accidental start-up can cause injury.

TO INSTALL THE BATTERY PACK INTO THE TOOL HANDLE

1. Align the base of the tool with the notch inside the tool's handle (Fig. 2).
2. Slide the battery pack firmly into the handle until you hear the lock snap into place.

TO REMOVE THE BATTERY PACK FROM THE TOOL

1. Press the battery release buttons (i) and firmly pull the battery pack out of the tool handle.
2. Insert battery pack into the charger as described in the charger section of this manual.

OPERATION

Instructions for use

WARNING: Always observe the safety instructions and applicable regulations.

Variable Speed Trigger Switch (fig. 1)

To turn the tool on, squeeze the trigger switch (a).

To turn the tool off, release the trigger switch.

Your tool is equipped with a brake. The chuck will stop as soon as the trigger switch is fully released.

Use lower speeds for starting holes without a center punch, drilling in metals or plastics, or driving screws. For maximum tool life, use variable speed only for starting holes or fasteners.

NOTE: Continuous use in variable speed range is not recommended. It may damage the switch and should be avoided.

Forward/Reverse Control Button (fig. 1)

A forward/reverse control button (b) determines the direction of the tool and also serves as a lock off button.

To select forward rotation, release the trigger switch and depress the forward/reverse control button on the right side of the tool.

To select reverse, depress the forward/reverse control button on the left side of the tool.

The center position of the control button locks the tool in the OFF position. When changing the position of the control button, be sure the trigger is released.

NOTE: The first time the tool is run after changing the direction of rotation, you may hear a click on start up. This is normal and does not indicate a problem.

ENGLISH

Worklight (fig. 1)

There is a worklight (g) located just above the trigger switch (a). The worklight will be activated when the trigger switch is squeezed.

NOTE: The worklight is for lighting the immediate work surface and is not intended to be used as a flashlight.

Quick-Release Chuck (fig. 4)

DC825, DC827, DC835, DC837, DC845

NOTE: The chuck accepts 1/4" hex accessories only.

Place the switch in the locked off (center) position or remove battery pack before changing accessories.

To install an accessory, pull the chuck collar (c) away from the front of the tool, insert the accessory and release the collar. The accessory is locked in place.

To remove an accessory, pull the chuck collar away from the front of the tool. Remove the accessory and release the collar.

Anvil With Detent Pin (fig. 5)

DC820, DC822, DC830, DC832, DC840

Place the switch in the locked off (center) position or remove battery pack before changing accessories.

To install a socket on the anvil, align the hole in the side of the socket with the detent pin (e) on the anvil (f). Press the socket on until the detent pin engages in the hole. Depression of detent pin may be necessary to aid installation of socket.



CAUTION: Use only impact sockets. Non-impact sockets may break and cause a hazardous condition. Inspect socket prior to use to ensure that it contains no cracks.

To remove a socket, depress the detent pin through the hole and pull the socket off.

Usage

Your impact tool generates the following output torque:

Cat #	Ft.-Lbs.	In.-Lbs.	Nm
DC820	145	1740	195
DC822	145	1740	195
DC825	111	1330	150
DC827	111	1330	150
DC830	135	1620	180
DC832	135	1620	180

Cat #	Ft.-Lbs.	In.-Lbs.	Nm
DC835	103	1240	140
DC837	103	1240	140
DC840	120	1440	160
DC845	96	1150	130



CAUTION: Ensure fastener and/or system will withstand the level of torque generated by the tool. Excessive torque may cause breakage and possible personal injury.

1. Place the socket on the fastener head. Keep the tool pointed straight at the fastener.
2. Press switch to start operation. Always check torque with a torque wrench, as the fastening torque is affected by many factors including the following:
 - **Voltage:** Low voltage, due to a nearly discharged battery, will reduce fastening torque.
 - **Socket size:** Failure to use the correct socket size will cause a reduction in fastening torque.
 - **Bolt Size:** Larger bolt diameters generally require higher fastening torque. Fastening torque will also vary according to length, grade, and torque coefficient.
 - **Bolt:** Ensure that all threads are free of rust and other debris to allow proper fastening torque.
 - **Material:** The type of material and surface finish of the material will affect fastening torque.
 - **Fastening Time:** Longer fastening time results in increased fastening torque. Using a longer fastening time than recommended could cause the fasteners to be overstressed, stripped or damaged.

MAINTENANCE

Your DEWALT power tool has been designed to operate over a long period of time with a minimum of maintenance. Continuous satisfactory operation depends upon proper tool care and regular cleaning.



WARNING: To reduce the risk of serious personal injury, turn tool off and disconnect battery pack before making any adjustments or removing/installing attachments or accessories. An accidental start-up can cause injury.



Lubrication

Your power tool requires no additional lubrication.



Cleaning



WARNING: Blow dirt and dust out of the main housing with dry air as often as dirt is seen collecting in and around the air vents. Wear approved eye protection and approved dust mask when performing this procedure.



WARNING: Never use solvents or other harsh chemicals for cleaning the non-metallic parts of the tool. These chemicals may weaken the materials used in these parts. Use a cloth dampened only with water and mild soap. Never let any liquid get inside the tool; never immerse any part of the tool into a liquid.

CHARGER CLEANING INSTRUCTIONS



WARNING: Shock hazard. Disconnect the charger from the AC outlet before cleaning. Dirt and grease may be removed from the exterior of the charger using a cloth or soft non-metallic brush. Do not use water or any cleaning solutions.

Optional accessories



WARNING: Since accessories, other than those offered by DEWALT, have not been tested with this product, use of such accessories with this tool could be hazardous. To reduce the risk of injury, only DEWALT, recommended accessories should be used with this product.

Consult your dealer for further information on the appropriate accessories.

Protecting the environment



Separate collection. This product must not be disposed of with normal household waste.

Should you find one day that your DEWALT product needs replacement, or if it is of no further use to you, do not dispose of it with household waste. Make this product available for separate collection.



Separate collection of used products and packaging allows materials to be recycled and used again. Re-use of recycled materials helps prevent environmental pollution and reduces the demand for raw materials.

Local regulations may provide for separate collection of electrical products from the household, at municipal waste sites or by the retailer when you purchase a new product.

DEWALT provides a facility for the collection and recycling of DEWALT products once they have reached the end of their working life. To take advantage of this service please return your product to any authorised repair agent who will collect them on our behalf.

You can check the location of your nearest authorised repair agent by contacting your local DEWALT office at the address indicated in this manual. Alternatively, a list of authorised DEWALT repair agents and full details of our after-sales service and contacts are available on the Internet at: www.2helpU.com.



Rechargeable Battery Pack

This long life battery pack must be recharged when it fails to produce sufficient power on jobs which were easily done before. At the end of its technical life, discard it with due care for our environment:

- Run the battery pack down completely, then remove it from the tool.
- Li-Ion, NiCd and NiMH cells are recyclable. Take them to your dealer or a local recycling station. The collected battery packs will be recycled or disposed of properly.

한글본

**DC820, DC822, DC825, DC827, DC830, DC832, DC835,
DC837, DC840, DC845**
무선 임팩트 렌치/드라이버

축하합니다!

DEWALT 공구를 선택해 주셔서 감사합니다. DEWALT는 오랜 경험과 제품 개발 및 혁신을 통해 전문 전문 공구 사용자들이 인정하는 기업으로 자리잡아 왔습니다.

기술 데이터

		DC820	DC822	DC825	DC827	DC830	DC832	DC835	DC837	DC840	DC845
전압	V _{DC}	18	18	18	18	14.4	14.4	14.4	14.4	12	12
배터리 종류		NiCd/NiMH	-	NiCd/NiMH	-	NiCd/NiMH	-	NiCd/NiMH	-	NiCd/NiMH	NiCd/NiMH
		-	Li-Ion	-	Li-Ion	-	Li-Ion	-	Li-Ion	-	-
무부하 속도	min ⁻¹	0-2400	0-2400	0-2400	0-2400	0-2400	0-2400	0-2400	0-2400	0-2400	0-2400
임팩트	min ⁻¹	2700	2700	2700	2700	2700	2700	2700	2700	2700	2700
최대 토크	Nm	195	195	150	150	180	180	140	140	160	130
공구 홀더		1/2"	1/2"	1/4"	1/4"	1/2"	1/2"	1/4"	1/4"	1/2"	1/4"
		사각	사각	육각	육각	사각	사각	육각	육각	사각	육각
최대 볼트 크기	mm	M16	M16	M12	M12	M16	M16	M12	M12	M16	M12
중량											
(배터리 팩 제외)	kg	0.98	0.96	0.98	0.96	0.96	0.96	0.96	0.96	0.96	0.96
배터리 팩				DE9180	DE9503	DE9140	DE9502			DE9501	
배터리 종류			Li-Ion	NiMH		Li-Ion	NiMH			NiMH	
전압	V _{AC}		18	18		14.4	14.4			12	
용량	Ah		2.0	2.6		2.0	2.6			2.6	
중량	kg		0.68	1.0		0.58	0.86			0.69	
충전기				DE9130		DE9135					
주 전압	V _{AC}			230		230					
배터리 종류				NiCd/NiMH		NiCd/NiMH/Li-Ion					
대략적 충전 시간	분			30		40					
				(2.0 Ah 배터리 팩)		(2.0 Ah 배터리 팩)					
중량	kg			0.52		0.52					
퓨즈:											
유럽		230 V	공구		10 A,	주 전압					
영국 및 아일랜드		230 V	공구		13 A,	플러그					

정의: 안전 지침

다음 정의는 각 경고 문구의 심각도를 설명합니다. 사용 설명서를 읽고 다음과 같은 기호들에 유의하십시오.



위험: 절박한 위험 상태를 나타내며, 방지하지 않으면 **사망 또는 심각한 부상**을 초래합니다.



경고: 잠재적으로 위험한 상태를 나타내며, 방지하지 않으면 **사망 또는 심각한 부상**을 초래할 수도 있습니다.



주의: 잠재적으로 위험한 상태를 나타내며, 방지하지 않으면 **경미하거나 가벼운 부상**을 초래할 수 있습니다.

주의: 안전 경고 기호 없이 사용되면 잠재적으로 위험한 상태를 나타내며, 방지하지 않으면 **재산상의 손해**가 발생할 수 있습니다.



감전 위험을 나타냅니다.



화재 위험을 나타냅니다.

		DC820	DC822	DC825	DC827	DC830	DC832	DC835	DC837	DC840	DC845
L_{pA} (음압)	dB(A)	91	91	90	90	91	91	90	90	91	90
K_{pA} (음압 불확실성 K)	dB(A)	3	3	3	3	3	3	3	3	3	3
L_{WA} (음향 출력)	dB(A)	102	102	101	101	102	102	101	101	102	101
K_{WA} (음향 출력 불확실성 K)	dB(A)	3	3	3	3	3	3	3	3	3	3

EN60745 에 따라 결정되는 총 진동 값(트라이엑스 벡터 총합):

진동 방출 값	m/s^2	9.7	9.7	13.7	13.7	9.7	9.7	13.7	13.7	9.7	13.7
불확실성 K	m/s^2	2.3	2.3	5.3	5.3	2.3	2.3	5.3	5.3	2.3	5.3

명시된 진동 방출 값은 표준 테스트 방법에 따라 측정되었으며, 공구를 서로 비교할 때 사용할 수 있습니다.

명시된 진동 방출 값은 노출에 대한 예비 평가에도 사용할 수 있습니다.



경고: 전동 공구의 실제 사용 기간 동안 진동 방출 값은 공구를 사용하는 방법에 따라 명시된 값과 달라질 수 있습니다. 이 때문에 공구를 이러한 방식으로 계속해서 사용하면 노출이 실제보다 상당히 과소 평가될 수 있습니다.

주어진 작업 기간 동안 느끼는 진동에 대한 노출 수준을 평가할 때는 공구를 작동시킨 시간 외에도 공구를 끈 시간과 유휴 상태로 있었던 시간도 고려해야 합니다.

이렇게 하면 전체 작업 기간에 걸쳐 노출 수준을 크게 줄일 수 있습니다.

CE-적합성 선언



DC820, DC822, DC825, DC827, DC830, DC832, DC835, DC837, DC840, DC845

DEWALT는 위 공구가 다음 사항을 준수하여 설계되었음을 선언합니다.

98/37/EC, 89/336/EEC, 2006/95/EC, EN 60745-1, EN 60745-2-2, EN 55014-2, EN 55014-1.

자세한 정보는 아래의 주소로 DEWALT에 문의하거나 사용 설명서 뒷부분을 참조하십시오.

엔지니어링 및 제품 개발 디렉터 Horst Grossmann

DEWALT, Richard-Klinger-Strasse 11,
D-65510, Idstein, Germany
16/08/2007



경고: 부상 위험을 줄이려면 사용 설명서를 숙지하십시오.

전동 공구에 관한 일반 안전 경고



경고! 안전에 관한 모든 경고 및 지시 사항을 숙지하십시오. 경고 및 지시 사항을 준수하지 않으면 감전, 화재 및/또는 심각한 부상을 초래할 수 있습니다.

항후 참고할 수 있도록 모든 경고 및 지시 사항을 보관해두십시오

경고에서 사용되는 “전동 공구” 라는 말은 (코드 사용) 전동 공구 또는 (코드 미사용) 배터리 구동 전동 공구를 의미합니다.

1) 작업 영역 안전

- a) **작업 영역을 청결하고 밝게 유지하십시오.** 혼잡하거나 어두운 작업 영역에서는 사고가 발생하기 쉽습니다.
- b) **가연성 액체, 가스 또는 먼지 등 폭발성 분위기에서 전동 공구를 사용하지 마십시오.** 전동 공구에 먼지나 연기를 발화시킬 수 있는 불꽃이 될 수 있습니다.
- c) 전공 공구를 사용하는 동안에는 어린이와 주변 사람들이 작업 영역에 가까이 들어오지 못하도록 하십시오. 주변이 산만해져 통제력을 잃을 수 있습니다.

2) 전기 안전

- a) **전동 공구의 플러그는 콘센트와 형식이 맞아야 합니다.** 플러그를 어떤 방식으로든 절대 개조하지 마십시오. 접지된(지면 접지) 전동 공구와 함께 어댑터 플러그도 사용하지 마십시오. 개조되지 않은 플러그 및 형식이 맞는 콘센트를 사용하면 감전 위험이 줄어듭니다.
- b) **파이프, 라디에이터, 렌지 및 방장고 등과 같이 접지된 표면에 몸이 닿지 않도록 하십시오.** 몸이접지되어 있으면 감전 위험이 높아집니다.
- c) 전동 공구를 비 또는 습한 환경에 노출시키지 않도록 주의하십시오. 전동 공구에 물이 들어가면 감전 위험이 높아집니다.
- d) **코드를 함부로 다루지 마십시오.** 코드를 잡고 전동 공구를 운반하거나 잡아당기거나 플러그를 빼지마십시오. 열, 오일, 날카로운 모서리 또는 움직이는부품에 닿지 않도록 코드를 보관하십시오. 코드가 손상되거나 뒤엎혀 있으면 감전 위험이 높아집니다.
- e) **전동 공구를 실외에서 사용할 때는 실외 사용에 적합한 연장 코드를 사용하십시오.** 실외 사용에 적합한 코드를 사용하면 감전 위험이 줄어듭니다.
- f) **어쩔 수 없이 습한 장소에서 전동 공구를 사용해야 하는 경우에는 차단기(RCD)로 보호된 전원을 공급 하십시오.** RCD를 사용하면 감전 위험이 줄어듭니다.

3) 신체 안전

- a) 전동 공구를 사용할 때는 방심하지 말고 작업에 주의하면서 상식을 따르십시오. 피곤한 상태이거나 약물, 술, 치료제를 복용한 상태에서는 전동 공구를 사용하지 마십시오. 전동 공구를 사용하는 중에 주의력을 잃어 신체 부상을 당할 수 있습니다.
- b) **신체 보호 장구를 착용하십시오. 항상 눈 보호 장구를 착용하십시오.** 적합한 상황에서 방진 마스크, 미끄럼 방지 안전화, 안전모 또는 청력 보호 기구 등의 안전 장구를 사용하면 신체 부상 위험이 줄어듭니다.
- c) **의도하지 않은 장비 가동 방지. 전원 및/또는 배터리 팩에 연결한 상태로 공구를 잡거나 운반할 때는 사전에 스위치가 꺼짐 위치에 있는지 반드시 확인하십시오.** 스위치가 켜짐 위치에 있는 상태에서 스위치에 손가락이 닿은 상태로 전동 공구를 운반하거나 전동 공구에 전원을 공급하면 사고가 발생합니다.
- d) **전동 공구를 켜기 전에 모든 조정 키 또는 렌치를 제거하십시오.** 전동 공구의 회전부에 렌치나 키가 부착되어 있으면 신체 부상을 당할 수 있습니다.
- e) **무리하게 팔을 뻗지 마십시오. 항상 올바른 자세로 서서 균형을 유지하십시오.** 그러면 예기치 않은 상황에서 전동 공구에 대한 제어력이 향상됩니다.
- f) **적절한 의복을 착용합니다. 헐렁한 옷이나 장신구를 착용하지 마십시오.** 머리카락, 옷 및 장갑이 움직이는 부품에 닿지 않도록 유의하십시오. 헐렁한 옷, 장신구 또는 긴 머리가 움직이는 부품에 말려들 수 있습니다.
- g) **먼지 배출 및 집진 시설 연결을 위한 장치가 제공된 경우, 이들 장치가 연결되어 적절히 사용되고 있는지 반드시 확인하십시오.** 집진 장치를 사용하면 먼지와 관련된 위험을 줄일 수 있습니다.

4) 전동 공구 사용 및 주의 사항

- a) **전동 공구에 무리한 힘을 가하지 마십시오.** 해당 용도에 맞는 올바른 전동 공구를 사용하십시오. 올바른 전동 공구를 사용해야 설계된 속도로 작업을 더욱 안전하고 정확하게 수행할 수 있습니다.
- b) **스위치가 켜지고 꺼지지 않는 전동 공구는 사용하지 마십시오.** 스위치로 제어되지 않는 전동 공구는 위험하며 수리가 필요합니다.
- c) **전동 공구를 조정하거나 액세서리를 변경하거나 보관하기 전에 전원 및/또는 배터리 팩에서 플러그를 빼십시오.** 이러한 예방적 안전 조치를 따라야 전동 공구가 갑자기 작동할 위험이 줄어듭니다.

- d) 사용하지 않는 전동 공구는 어린이의 손이 닿지 않는 곳에 보관하고, 전동 공구나 본 지시 사항에 익숙하지 않은 사람이 전동 공구를 절대 사용하지 못하게 하십시오. 전동 공구는 훈련을 받지 않은 사용자가 다루면 위험합니다.
- e) 전동 공구 유지 보수, 움직이는 부품의 잘못된 정렬이나 바인딩, 부품 파손 및 기타 전동 공구의 작동에 영향을 미칠 수 있는 상태가 있는지 확인하십시오. 손상된 부분이 있는 경우 사용하기 전에 전동 공구를 수리하십시오. 많은 사고는 전동 공구를 제대로 유지 보수하지 않아 발생합니다.
- f) 절삭 공구를 예리하고 깨끗한 상태로 유지하십시오. 유지 보수를 올바르게 수행하여 절삭 가장자리가 예리한 절삭 공구를 사용하면 바인딩이 적고 다루기가 용이합니다.
- g) 작업 환경과 수행할 작업을 고려하여, 본 지시 사항에 따라 전동 공구, 액세서리 및 톨 비트 등을 사용하십시오. 본 사용 설명서의 내용과 다른 용도로 전동 공구를 사용하면 위험한 상황이 발생할 수 있습니다.

5) 배터리 공구 사용 및 주의 사항

- a) 제조업체에서 지정한 충전기**로만** 충전하십시오. 한 종류의 배터리 팩에 적합한 충전기를 다른 배터리 팩과 함께 사용할 경우 화재 위험이 있을 수 있습니다.
- b) 전동 공구에는 전용으로 설계된 배터리 팩만 사용하십시오. 다른 배터리 팩을 사용하면 부상 및 화재의 위험이 있을 수 있습니다.
- c) 배터리 팩을 사용하지 않을 때에는 단자를 서로 단락시킬 수 있는 종이 클립, 동전, 열쇠, 못, 나사 또는 기타 작은 금속 물체 등으로부터 멀리 떨어진 장소에 보관하십시오. 배터리 단자가 서로 단락될 경우 화상이나 화재의 위험이 있습니다.
- d) 열악한 조건에서는 배터리에서 누액이 발생할 수 있으며, 이 때는 누액이 피부에 닿지 않도록 하십시오. 만약 누액이 피부에 묻은 경우에는 흐르는 물로 씻어내십시오. 누액이 눈에 들어간 경우, 의사의 진찰을 받기 바랍니다. 배터리 누액에 접촉 시 피부 발진이나 화상을 유발할 수 있습니다.

6) 정비

- a) 자격을 갖춘 기술자가 동일 교체 부품을 사용하여 정비 작업을 수행해야 합니다. 그래야 전동 공구의 안전이 보장됩니다.

추가 안전 규칙

모든 임팩트 드릴에 대한 안전 지침

- 임팩트 드릴을 사용할 때는 청력 보호 장구를 착용하십시오.
소음에 노출되면 청력이 손실될 수 있습니다.
- 공구와 함께 제공되는 보조 핸들을 사용하십시오.
제어력을 잃으면 신체 부상을 당할 수 있습니다.
- 절삭 공구가 숨겨진 배선 또는 자체 코드에 접촉할 수 있는 작업을 수행할 때는 절연된 그림핑 표면만 당도록 하여 전동 공구를 잡으십시오. "활성화 상태"인 전선에 접촉하면 공구의 노출된 금속 부품이 "활성화 상태"가 되므로 작업자가 감전됩니다.
- 클램프 또는 다른 적절한 방식을 이용하여 안정된 작업대에 작업 공구들을 고정 및 지지하십시오.
작업물을 손으로 잡거나 몸에 지지하는 행동은 불안정하며, 제어력을 잃을 수 있습니다.
- 안전 고글 또는 기타 눈 보호 장구를 착용하십시오.
해머 및 드릴 작업 시 파편이 날아갈 수 있습니다.
파편이 날아가 눈이 영구적으로 손상될 수 있습니다.
- 작업 중에는 비트, 소켓 및 공구가 뜨겁습니다.
이를 만질 때는 장갑을 착용하십시오.
- 오랜 시간 공구를 작동시키지 마십시오. 공구 작동으로 발생하는 진동은 손과 팔에 해로울 수 있습니다. 추가적인 완충을 위해 장갑을 착용하고, 수시로 휴식 시간을 두어 노출을 줄이십시오.

기타 잔류 위험

관련된 안전 규정을 준수하고 안전 장치를 사용하고 해도 특정한 위험은 피할 수 없습니다. 이러한 위험은 다음과 같습니다.

- 청력 손상
- 파편 날림으로 인한 신체 부상 위험
- 작업 중 뜨거워지는 액세서리로 인한 화상 위험
- 장시간 사용으로 인한 신체 부상의 위험

공구에 부착된 라벨

공구에는 다음과 같은 라벨이 있습니다.



귀 보호 장구를 착용하십시오.



눈 보호 장구를 착용하십시오.

한글본

날짜 코드 위치

날짜 코드에는 제조년도가 포함되어 공구와 배터리 사이의 장착 연결부 곁면에 인쇄되어 있습니다. 예:
2007 XX XX
제조년도

모든 배터리 충전기에 대한 중요 안전 지침

이 지시 내용을 잘 보관하십시오. 이 사용 설명서에는 DE9130/DE9135 배터리 충전기에 대한 중요 안전 및 작업 지침이 포함되어 있습니다.

- 충전기를 사용하기 전에 모든 지시 사항 및 충전기, 배터리 팩, 배터리 팩을 이용한 제품에 적힌 주의 표시를 읽어보십시오.



위험: 감전사 위험. 충전 단자에는 230 V의 전압이 흐릅니다. 전도성 물체를 이용하여 탐침하지 마십시오. 감전 또는 감전사가 발생할 수 있습니다.



경고: 감전 위험. 충전기 안에 어떤 액체도 들어가지 않도록 하십시오. 사용자가 감전될 수 있습니다.



주의: 화상 위험. 부상 위험을 줄이려면 DEWALT 충전지만 충전하십시오.

다른 종류의 배터리는 폭발하여 신체 부상 및 제품 손상을 유발할 수 있습니다.



주의: 경우에 따라, 충전기가 전원에 연결된 상태에서 충전기 내부의 노출된 접점이 이물질로 인해 단락될 수 있습니다. 강철 슝, 알루미늄 호일 또는 누적된 금속성 먼지 등의 전도성 이물질이 충전기의 배터리 장착부에 들어가지 않도록 해야 합니다. 배터리 장착부에 배터리가 없을 때는 항상 충전기 플러그를 전원에서 빼놓으십시오. 청소하기 전에도 충전기의 플러그를 빼십시오.

- 본 사용 설명서에서 지시하는 충전기 이외의 다른 충전기를 사용하여 배터리 팩을 충전하지 마십시오. 충전기와 배터리 팩은 서로 맞는 제품끼리 사용하도록 설계되어 있습니다.
- 이들 충전기는 DEWALT 충전 배터리를 충전하는 이외의 용도로 사용할 수 없습니다. 다른 용도로 사용하면 화재, 감전 또는 감전사의 위험이 있습니다.

- 충전기를 비나 눈에 노출시키지 마십시오.
- 충전기 연결을 끊을 때에는 코드가 아니라 플러그를 잡아당기십시오. 그래야 전기 플러그와 코드의 손상 위험이 줄어듭니다.
- 코드는 사람이 밟거나 걸려 넘어지지 않게, 또는 압력을 받지 않도록 잘 돌리서 연결하십시오.
- 연장 코드는 반드시 필요한 경우에만 사용하십시오. 부적합한 연장 코드를 사용하면 화재, 감전 또는 감전사의 위험이 있습니다.
- 연장 코드는 안전을 위해 적절한 전선 크기(AWG)의 제품을 사용해야 합니다. 전선의 게이지 번호가 작을수록 케이블 용량이 커집니다. 즉, 16 게이지가 18 게이지보다 용량이 큼니다. 하나 이상의 연장 코드를 사용할 때에는 반드시 각 연장 코드의 와이어 크기가 최소 와이어 크기보다 커야 합니다.
- 환기구가 막혀 내부 과열이 발생할 수 있으므로 충전기 상단에 물건을 올려놓거나 부드러운 표면 위에 충전기를 놓지 마십시오. 모든 종류의 열원으로부터 멀리 떨어진 위치에 충전기를 두십시오. 충전기는 케이스 상단과 하단에 있는 홈을 통해 환기됩니다.
- 코드나 플러그가 파손된 충전기는 사용하지 마십시오. 이 경우 즉시 교체하십시오.
- 강하게 부딪치거나 떨어뜨리는 등으로 인해 파손된 충전기는 작동시키지 마십시오. 이 때는 충전기를 공인 서비스 센터로 가져가십시오.
- 서비스나 수리가 필요할 때는 충전기를 해제하지 말고 공인 서비스 센터로 가져가십시오. 잘못된 조립할 경우 감전, 감전사 또는 화재의 위험이 있습니다.
- 정소를 하기 전에 항상 콘센트에서 충전기 코드를 뽑으십시오. 그래야 감전 위험이 줄어듭니다. 배터리 팩을 빼는 것으로는 이러한 위험이 줄어들지 않습니다.
- 절대로 충전기 2개를 함께 연결하지 마십시오.
- 이 충전기는 표준 230V 가정용 전원에서 작동하도록 설계되었습니다. 따라서 다른 전압을 이용하여 이 충전기를 사용하지 마십시오. 이 사항은 차량용 충전기에는 적용되지 않습니다.

본 지침을 잘 보관해두십시오.

충전기

DE9130 충전기에는 7.2 - 18 V NiCd 및 NiMH 배터리를 사용할 수 있습니다.

DE9135 충전기에는 7.2 - 18 V NiCd 및 NiMH 또는 Li-Ion 배터리를 사용할 수 있습니다.

이들 충전기는 조정이 불필요하며 가능한 한 간단히 작동할 수 있도록 설계되었습니다.

충전 절차



위험: 감전사 위험. 충전 단자에는 230V의 전압이 흐릅니다. 전도성 물체를 이용하여 탐침하지 마십시오. 감전이나 감전사의 위험이 있습니다.

1. 배터리 팩을 삽입하기 전에 충전기(j) 플러그를 적합한 콘센트에 꽂습니다.
2. 배터리 팩(h)을 충전기에 삽입합니다. 충전이 시작되었음을 알리는 빨간색 표시등(충전 중)이 계속 깜박입니다.
3. 빨간색 표시등이 계속 켜져 있으면 충전이 완료된 것입니다. 팩이 완전히 충전되면 곧 바로 사용하거나 충전기에 그대로 두어도 됩니다.

충전 과정

아래 표에서 배터리 충전 상태를 참조하십시오.

충전 상태	
충전 중	- - - -
완전 충전됨	-----
핫/콜드 팩 지연	-----
배터리 팩 교체
문제

자동 리프레시

자동 리프레시(refresh) 모드는 최대 용량에서 배터리 팩의 개별 셀을 균등화하거나 균형적으로 조정합니다. 배터리 팩은 매주 또는 팩이 동일한 용량을 제공하지 못할 때마다 리프레시됩니다. 배터리 팩을 리프레시하려면 평소처럼 충전기에 배터리를 끼웁니다. 충전기에 적어도 8시간 동안 배터리 팩을 끼워 두십시오.

핫/콜드 팩 지연

충전기가 너무 뜨겁거나 너무 차가운 배터리 온도를 탐지하면 자동으로 핫/콜드 팩 지연을 시작하고, 배터리가 적정 온도에 도달할 때까지 충전을 보류합니다. 그 다음 충전기는 자동으로 팩 충전 모드로 전환됩니다. 이 기능은 배터리 수명을 최대한 연장합니다.

과방전 보호

배터리 팩이 공구에서 사용될 때는 과도한 방전으로부터 보호됩니다.

모든 배터리 충전기에 대한 중요 안전 지침

교체 배터리 팩을 주문할 때는 꼭 카탈로그 번호와 사용 전압을 함께 적어주십시오. 충전기와 배터리 팩의 적합성에 대해서는 본 사용 설명서 뒷 부분의 표를 참조하십시오.

배터리 팩은 패키지 밖에서는 완전 충전되지 않습니다. 배터리 팩과 충전기를 사용하기 전에 아래의 안전 지침을 읽어보십시오. 그 다음 요약 설명된 충전 절차를 따르십시오.

모든 지침을 읽으십시오!

- **가연성 액체, 가스 또는 먼지 등 폭발성 분위기에서 배터리를 충전하거나 사용하지 마십시오.** 충전기에서 배터리를 빼거나 끼울 때 먼지나 증기에 불이 붙을 수 있습니다.
- DEWALT 충전기에서만 배터리 팩을 충전하십시오.
- 물이나 기타 액체를 튀기거나 이러한 액체에 담그지 **마십시오.**
- 온도가 40 °C(105° F) 이상으로 올라가는 장소에서는 **공구와 배터리 팩을 보관 또는 사용하지 마십시오.** (여름철 창고나 금속재 건물 내부 등).



위험: 감전사 위험. 어떤 이유로든 배터리 팩을 절대로 열지 마십시오. 배터리 팩 케이스가 갈라지거나 손상되면 충전기에 삽입하지 마십시오. 감전이나 감전사가 발생할 수 있습니다. 손상된 배터리 팩은 재활용을 위해 서비스 센터에 반환해야 합니다.



경고: 어떤 이유로든 배터리 팩을 절대로 열지 마십시오. 배터리 팩 케이스가 갈라지거나 손상되면 충전기에 삽입하지 마십시오. 배터리 팩을 부수거나 떨어뜨리거나 손상시키지 마십시오. 강한 충격을 받았거나 떨어뜨렸거나 밟는 등 어떤 방식으로든 파손된(뚫으로 뚫거나, 망치로 때리는 등) 배터리 팩이나 충전기는 사용하지 마십시오. 파손된 배터리 팩은 재활용을 위해 서비스 센터에 반환해야 합니다.



주의: 공구를 사용하지 않을 때는 사람이 걸려 넘어지거나 떨어지지 않도록 안정된 테이블에 올려놓으십시오. 대용량 배터리 팩이 사용되는 일부 공구는 배터리 팩을 아래로 하여 똑바로 세울 수 있으나 쉽게 넘어질 수 있습니다.

니켈 카드뮴(NiCd) 또는 니켈 수소 배터리(NiMH)에 대한 특별 안전 지침

- **심하게 손상되었거나 완전히 마모된 경우에도 배터리 팩을 소각하지 마십시오.** 배터리 팩이 불 속에서 폭발합니다.
- **가혹한 사용 조건이나 극심한 온도 범위에서는 배터리 팩 셀에서 소량의 액체가 누출될 수 있습니다.** 이것은 고장이 아닙니다. 그러나, 외부 케이스가 찢어진 경우에는 다음과 같이 하십시오.
 - a. 배터리 누액이 피부에 닿았다면 즉시 비눗물로 수 분 동안 씻어내십시오.
 - b. 배터리 누액이 눈에 들어간 경우, 최소 10분 동안 깨끗한 흐르는 물로 씻어내고 즉시 의사의 진찰을 받으십시오. (진료 시 참고 사항: 배터리 누액은 25-35% 수산화 칼륨 용액입니다.)

리튬 이온(Li-ION)에 대한 특별 안전 지침

- **심하게 손상되었거나 완전히 마모된 경우에도 배터리 팩을 소각하지 마십시오.** 배터리 팩이 불 속에서 폭발합니다. 리튬 이온 배터리 팩이 타면 독성 연기와 물질이 발생합니다.
- **배터리 내용물이 피부에 닿으면 즉시 비눗물로 해당 부위를 씻어내십시오.** 배터리 누액이 눈에 들어간 경우, 15분 동안 따가움이 멈출 때까지 눈을 뜬 상태에서 흐르는 물로 행구어내십시오. 치료가 필요한 경우를 위해, 배터리 전해질은 액체 유기 탄산물과 리튬 염류의 혼합물로 구성되어 있다는 점을 참고로 알려드립니다.
- **배터리 셀을 열었을 때 내용물로 인해 호흡 곤란을 일으킬 수 있습니다.** 신선한 공기를 마시고 증상이 지속되면 의사의 진찰을 받으십시오.



경고: 화상 위험. 불꽃이나 증기에 노출될 경우 배터리 액이 연소할 수 있습니다.

배터리 캡(그림 3)

떼어낸 배터리 팩의 접점을 덮기 위해 배터리 보호 캡이 제공됩니다. 보호 캡이 제자리에 있지 않으면 험거운 금속 물체가 접점을 단락시켜 화재가 일어나고 배터리 팩이 손상될 수 있습니다.

1. 충전기나 공구에 배터리 팩을 끼우기 전에 배터리 보호 캡을 떼어내십시오(그림 3A).
2. 충전기나 공구에서 배터리 팩을 뺀 즉시 접점을 보호 캡으로 덮으십시오(그림 3B).



경고: 빼낸 배터리 팩을 보관하거나 운반하기 전에 반드시 배터리 보호 캡을 제자리에 끼우십시오

배터리 팩(그림 1)

배터리 종류
 DC820, DC822, DC825 및 DC827은 18 V 배터리 팩으로 작동합니다.
 DC830, DC832, DC835 및 DC837은 14.4 V 배터리 팩으로 작동합니다.
 DC840 및 DC845는 12 V 배터리 팩으로 작동합니다.

보관 권장 사항

1. 직사광선과 과도한 열 또는 냉기가 없는 건조하고 서늘한 장소가 보관하기 가장 적합합니다.
2. 오래 보관해도 배터리 팩이나 충전기에 해롭지 않습니다. 적절한 환경에서는 5년 이상 보관할 수 있습니다.

충전기 및 배터리 팩에 부착된 라벨

본 사용 설명서에 사용된 기호 이외에도 충전기와 배터리 팩에는 다음과 같은 라벨이 부착되어 있습니다.



사용 전에 사용 설명서 내용 숙지



배터리 충전 중



배터리 완충



배터리 결함




핫/콜드 팩 지연





전도성 물체로 탐침 금지





손상된 배터리 팩 충전 금지


 DeWALT 배터리 팩만 사용. 다른 배터리를 사용할 경우 폭발하여 부상 및 손상 유발


 물에서 사용 금지


 결함 있는 코드를 즉시 교체


 4 ° C ~ 40 ° C 온도 범위에서만 충전

 환경 보호를 위해 배터리 팩을 적절하게 폐기

 NiMH, NiCd+ 및 Li-Ion 배터리 팩 소각 금지

 NiMH 및 NiCd 배터리 팩 충전

 Li-Ion 배터리 팩 충전

 기술 데이터의 충전 시간 참조

포장 내용물

포장에 다음 내용물이 들어 있습니다.

무선 임팩트 드라이버/ 렌치 1개

배터리 팩 2개

충전기 1개

사용 설명서 1개

분해도 1개

참고: N-모델에는 배터리 팩과 충전기가 포함되지 않습니다.

- 운송 중 발생했을 수도 있는 공구, 부품 또는 액세서리의 손상 여부를 확인하십시오.
- 작동 전에 시간을 내어 본 사용 설명서를 읽고 숙지하십시오

설명(그림 1-5)



경고: 전공 공구 또는 전동 공구의 어떤 부품도 절대 개조하지 마십시오. 제품이 파손되거나 신체 부상을 당할 수도 있습니다.

용도

이 헤비듀티 임팩트 렌치/드라이버는 전문적 임팩트 스크류 드라이빙 작업에 적합하게 설계되었습니다.

이 공구에는 임팩트 기능이 있어 나무, 금속, 콘크리트에 패스너를 끼워 넣는 작업에 특히 유용합니다.

습한 환경이나 가연성 액체 또는 가스가 있는 장소에서 사용하지 마십시오.

이 임팩트 렌치/드라이버는 전문가용 전동 공구입니다. **어린이가 이 공구에 만지지 않도록 하십시오.**

경험이 없는 작업자가 이 공구를 사용할 때는 감독자의 지도가 필요합니다.

- 트리거 스위치
- 전진/후진 버튼
- 슬리브
- 1/4" 육각 킥-릴리즈 척
- 멈춤 핀
- 엔빌
- 작업 조명등
- 배터리 팩
- 배터리 해제 버튼

전기 안전

전기 모터는 한 가지 전압에만 맞추어 설계되었습니다. 배터리 팩 전압이 전동기 명판에 기재된 전압과 일치하는지 항상 확인하십시오. 또한 충전기 전압이 주 전원의 전압과 일치하는지도 확인하십시오.



DeWALT 충전기는 EN 60335에 따라 이중 절연되어 있습니다. 따라서 접지선이 필요하지 않습니다.

전원 코드가 손상된 경우에는 DeWALT 서비스 센터를 통해 특수 제작된 코드로 교체해야만 합니다.

주 전원 플러그 교체(영국 및 아일랜드만 해당)

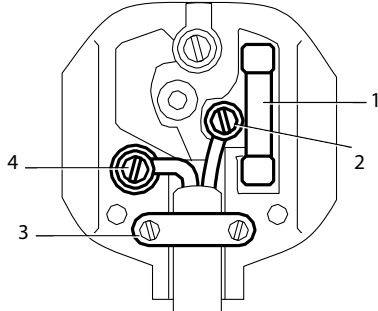


위험:

- 주 전원 플러그를 교체해야 하고 그러한 자격을 갖추었다면 아래 지침에 따라 교체하십시오. 잘 모르겠으면, DeWALT 공인 수리점이나 자격을 갖춘 전기 기술자에게 수리를 의뢰하십시오.
- 전원에서 플러그를 빼십시오.
- 플러그를 잘라내고 안전하게 폐기합니다. 구리 도체가 노출된 플러그를 전기가 통하는 콘센트에 꽂으면 위험합니다.
- 정격 퓨즈(1)가 달린 13 A BS1363A 승인 플러그만 사용하십시오.

연결본

- 대부분의 고품질 플러그에는 연결 지점에 케이블 전선 색깔 또는 문자가 표시되어 있습니다. 전선을 플러그의 해당 지점에 연결하십시오 (아래 참조). 갈색은 활성 (L) (2)이고 청색은 중성 (N) (4)입니다.
- 주 전원 플러그의 상단 덮개를 닫기 전에 케이블 고정부(3)가 케이블 피복을 잘 고정시키고 있고, 단자 나사에 2개의 리드가 제대로 고정되어 있는지 확인하십시오.



경고: 절대로 라이트 소켓을 사용하지 마십시오.

E 또는 로 표시된 접지 핀에 활성 (L) 또는 중성 (N) 전선을 **절대로** 연결하지 마십시오.

연장 케이블 이용

연장 코드는 가급적 사용하지 말아주십시오. 사용 중인 충전기 전원 입력에 맞는 승인된 연장 코드를 사용하십시오(기술 데이터 참조). 최소 도체 크기는 1 mm²이고, 최대 길이는 30 m입니다. 케이블 릴을 이용할 때는 항상 케이블을 완전히 푸십시오.

조립 및 조정



경고: 조립 및 조정 전에 항상 배터리 팩을 떼어내십시오. 배터리 팩을 끼우거나 떼어내기 전에는 항상 공구 스위치를 끄십시오.



경고: DeWALT 배터리 팩과 충전기만 사용하십시오.

공구에서 배터리 팩 삽입 및 제거(그림 2)



경고: 심각한 부상 위험을 줄이려면, 조정 작업을 수행하거나 부착물 또는 액세서리를 제거/설치하기 전에 **공구 스위치를 끄고 배터리 팩을 분리하십시오**. 공구가 갑자기 작동하여 신체 부상을 당할 수 있습니다.

공구 핸들에 배터리 팩 끼우기

1. 공구 핸들 안쪽의 홈에 공구 밑부분을 맞춥니다 (그림 2).
2. 제자리에 잠기는 소리가 들릴 때까지 배터리 팩을 핸들에 단단히 밀어 넣습니다.

공구에서 배터리 팩 분리하기

1. 배터리 해제 버튼(i)을 누르고 배터리 팩을 공구 핸들에서 잡아당겨 빼냅니다.
2. 본 사용 설명서의 충전기 부분에 설명된 내용에 따라 배터리 팩을 충전기에 끼웁니다.

사용 지침



경고: 안전 지침과 해당 규정을 항상 준수하십시오.

가변 속도 트리거 스위치(그림 1)

공구를 켜려면 트리거 스위치(a)를 잡아당깁니다. 공구를 끌 때는 트리거 스위치를 놓습니다. 공구에는 브레이크가 장착되어 있습니다. 트리거 스위치를 완전히 놓는 즉시 척이 멈춥니다. 중앙 핀치가 없는 시작 홀, 금속이나 플라스틱 드릴 작업 또는 나사홈 파기 작업 시에는 속도를 낮추어 사용하십시오. 공구의 수명을 연장하려면 시작 구멍이나 패스너에만 가변 속도를 사용하십시오.

참고: 가변 속도 범위에서 장시간 사용하는 것은 좋지 않습니다. 스위치가 손상될 수 있으므로 되도록 사용을 피하십시오.

전진/후진 제어 버튼(그림 1)

전진/후진 제어 버튼(b)은 공구의 방향을 결정하고, 버튼 잠금 기능도 합니다.

전진 회전을 선택하려면 트리거 스위치를 놓고 공구 우측에 있는 전진/후진 제어 버튼을 누릅니다.

후진을 선택하려면 공구 좌측에 있는 전진/후진 버튼을 누릅니다.

제어 버튼을 중앙 위치에 놓으면 공구가 꺼짐 위치에서 잠깁니다. 제어 버튼의 위치를 바꿀 때는 항상 트리거를 놓으십시오.

참고: 회전 방향을 바꾼 후 처음 공구를 작동시킬 때는 시작 기계음이 들릴 수 있습니다. 이는 정상적인 현상으로 고장이 아닙니다.

작업 조명등(그림 1)

트리거 스위치(a) 바로 위에는 작업 조명등(g)이 있습니다. 트리거 스위치를 잡아당기면 작업 조명등이 켜집니다.

참고: 작업 조명등은 작업 부위만 비추기 위한 용도이며 플래시 조명으로 사용하기에는 부적합합니다.

랙-릴리즈 척(그림 4)

DC825, DC827, DC835, DC837, DC845

참고: 척에는 1/4" 육각 액세서리만 사용 가능합니다.

액세서리를 교체하기 전에 스위치를 잠금(중앙) 위치에 놓거나 배터리 팩을 제거하십시오.

액세서리를 설치하려면 공구 전면에서 척 칼라(c)를 잡아당기고 액세서리를 삽입한 다음 칼라를 놓으십시오. 액세서리가 제 위치에 고정됩니다.

액세서리를 제거하려면 공구 전면에서 척 칼라를 잡아당기십시오. 그런 다음, 액세서리를 제거하고 칼라를 놓으십시오.

멈춤 핀이 있는 앤빌(그림 5)

DC820, DC822, DC830, DC832, DC840

액세서리를 교체하기 전에 스위치를 잠금(중앙) 위치에 놓거나 배터리 팩을 제거하십시오.

앤빌에 소켓을 끼우려면 소켓 측면의 구멍을 앤빌(f)의 멈춤 핀(e)에 맞추십시오. 멈춤 핀이 구멍에 들어갈 때까지 소켓을 누릅니다. 멈춤 핀을 누르면 소켓을 끼우기가 더 수월합니다.



주의: 임팩트 소켓만 사용하십시오. 임팩트 소켓이 아닌 소켓을 사용하면 깨질 우려가 있어 위험할 수 있습니다. 소켓을 사용하기 전에 균열이 있는 살펴보십시오.

소켓을 제거하려면 구멍을 통해 잠금 핀을 누르고 소켓을 잡아당깁니다.

사용법

임팩트 공구의 출력 토크는 다음과 같습니다.

카탈로그 번호	Ft.-Lbs.	In.-Lbs.	Nm
DC820	145	1740	195
DC822	145	1740	195
DC825	111	1330	150
DC827	111	1330	150
DC830	135	1620	180
DC832	135	1620	180

카탈로그 번호	Ft.-Lbs.	In.-Lbs.	Nm
DC835	103	1240	140
DC837	103	1240	140
DC840	120	1440	160
DC845	96	1150	130



주의: 패스너 및/또는 시스템이 공구가 생성하는 토크를 견디는지 확인하십시오. 과도한 토크로 재료가 파손되어 부상을 당할 수 있습니다

1. 소켓을 패스너 헤드 위에 놓습니다. 공구가 패스너와 일직선이 되도록 잡습니다.
2. 스위치를 눌러 공구를 작동시킵니다. 다음과 같은 여러 가지 요인이 조임 토크에 영향을 미치므로 항상 토크 렌치로 토크를 점검하십시오.

- **전압:** 배터리가 거의 방전된 상태에서는 전압이 낮아 조임 토크가 감소합니다.
- **소켓 크기:** 올바른 크기의 소켓을 사용하지 않으면 조임 토크가 감소할 수 있습니다.
- **볼트 크기:** 일반적으로 볼트 직경이 클수록 더 큰 조임 토크가 필요합니다. 조임 토크는 길이, 등급 및 토크 계수에 따라 서로 달라집니다.
- **볼트:** 적절한 조임 토크를 얻기 위해서는 나사의 모든 부분에 녹 등의 불순물이 없도록 해야 합니다.
- **재료:** 재료의 종류와 표면 처리는 조임 토크에 영향을 미칩니다.
- **조임 시간:** 조임 시간이 길수록 조임 토크가 증가합니다. 조임 시간이 지나치게 길면 패스너에 과도한 압력이 가해져 벗겨지거나 손상될 수 있습니다.

유지 보수

DEWALT 전동 공구는 최소한의 유지 보수로 장기간에 걸쳐 작업이 가능하도록 설계되어 있습니다. 오랜 시간 만족스러운 성능으로 공구를 사용하려면 적합한 공구 관리와 정기적인 청소가 중요합니다.



경고: 심각한 부상 위험을 줄이려면, 조정 작업을 수행하거나 부속물 또는 액세서리를 제거/설치하기 전에 공구 스위치를 끄고 배터리 팩을 분리하십시오. 공구가 갑자기 작동하여 신체 부상을 당할 수 있습니다.



윤활 작업

전공 공구는 별도의 윤활 작업이 필요하지 않습니다.



청소



경고: 통풍구 속이나 주변에 먼지가 쌓여있는 것이 보이면 가능한 한 자주 건조한 공기를 이용하여 몸체에서 먼지를 불어내십시오. 이 절차를 수행할 때에는 승인된 눈 보호 장구 및 승인된 방진 마스크를 착용하십시오.



경고: 공구의 금속 이외 부품을 청소할 때는 용제 등의 강력한 화학약품을 절대 사용하지 마십시오. 그렇지 않으면 이러한 부분에 사용된 재료가 약해질 수 있습니다. 형겔에 불과 연한 비누를 적셔 닦아주십시오. 공구 내부에 액체를 넣거나 공구 부품을 액체에 담그는 행동은 절대 금물입니다

충전기 청소 지침



경고: 감전 위험. 청소를 하기 전에 AC 콘센트에서 충전기 코드를 뽑으십시오. 금속성이 아닌 부드러운 브러시나 형겔을 사용하여 충전기 외부에 묻은 먼지와 기름때를 제거할 수 있습니다. 물이나 세척액을 사용하지 마십시오.

옵션 액세서리



경고: DeWALT에서 제공하지 않은 액세서리는 본 제품에서 테스트되지 않았으므로 본 제품에서 이러한 액세서리를 사용하면 위험할 수 있습니다. 신체 부상의 위험을 줄이려면 본 제품에 DeWALT 권장 액세서리만 사용해야 합니다.

해당 액세서리에 대한 자세한 정보는 판매 대리점으로 문의하십시오.

환경 보호



분리 수거해야 합니다. 본 제품을 일반 가정용 쓰레기로 버리지 마십시오.

DeWALT 제품을 교체해야 하거나 더 이상 쓸모가 없어졌다고 판단될 때는 환경 보호를 생각하여 가정용 쓰레기와 함께 버리지 마십시오. 본 제품은 별도로 수거하여 폐기해야 합니다.



사용이 끝난 제품과 포장을 별도로 수거하면 자원 재활용에 도움이 됩니다. 자원을 재활용하면 환경 오염 방지와 원료 수요의 감소에도 도움이 됩니다.

지역에 따라 가정에서 나오는 폐 가전제품을 분리 수거하는 규정이 마련되어 있거나 새 제품을 구입할 때 판매점에서 폐기 방법을 알려줄 수 있습니다. DeWALT는 사용이 끝난 DeWALT 제품을 수거하여 재활용하기 위한 시설을 운영하고 있습니다. 이 서비스를 활용하려면 당사가 폐제품 수거를 위임한 공인 수리 대리점에 제품을 반환해 주십시오. 본 사용 설명서에 기재된 연락처로 가까운 DeWALT 영업소에 연락하면 가까운 공인 수리 대리점 위치를 확인할 수 있습니다. 또는 다음 웹 사이트를 방문하여 공인 DeWALT 수리 대리점 목록, 애프터 서비스 및 연락처 목록 등 자세한 정보를 찾아볼 수 있습니다.

www.2helpU.com.



충전지 팩

일상적으로 수행하던 작업이 어려울 정도로 배터리 전원이 약해지면 수명이 긴 본 배터리 팩을 재충전해야 합니다. 수명이 끝난 배터리는 환경 보호를 위해 적합하게 폐기 처분하십시오.

- 배터리 팩이 완전히 방전될 때까지 공구를 작동시킨 후 배터리를 빼내십시오.
- Li-Ion, NiCd 및 NiMH 셀은 재활용이 가능합니다. 대리점이나 지역 재활용 센터로 가져가십시오. 수거된 배터리 팩은 재활용하거나 적절한 방법으로 폐기 처분해야 합니다.