
DEWALT

D25032

D25033

D25132

D25133

D25134

D25143

D25144

www.DEWALT.com

English (original instructions)	4
中文 (简体)	12
繁體中文	20
한국어	28
BAHASA INDONESIA	36
ภาษาไทย	44
TIẾNG VIỆT	52

Figure 1

D25133

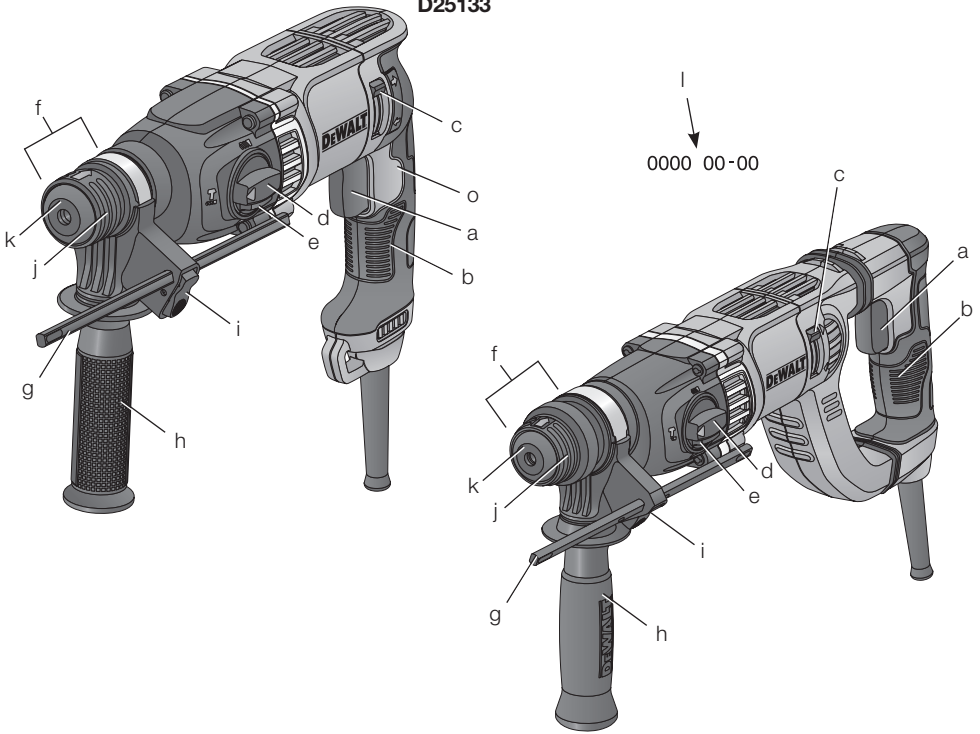


Figure 2

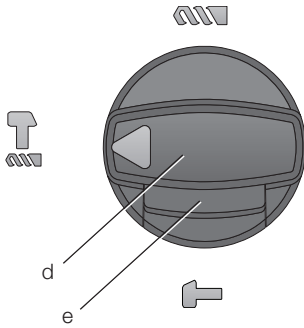


Figure 3

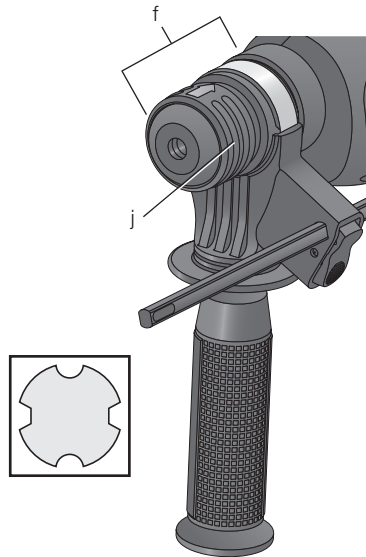


Figure 4

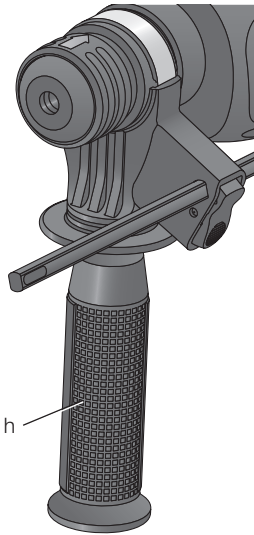


Figure 5

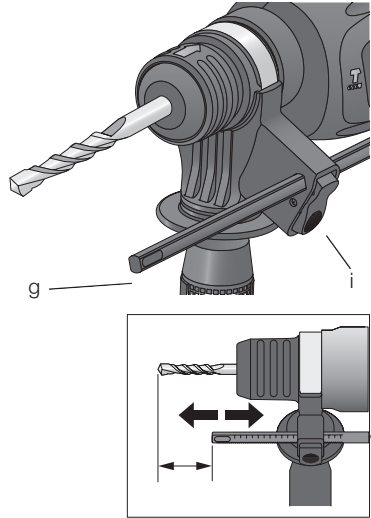


Figure 6

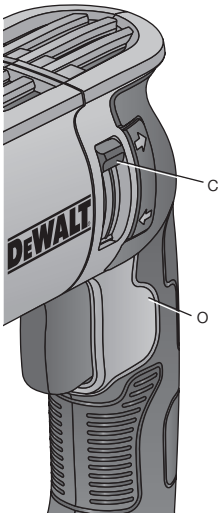


Figure 7

D25144

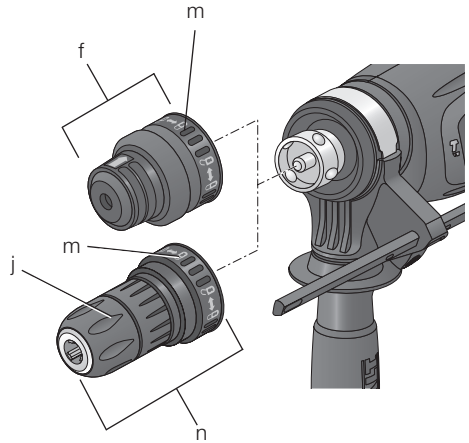
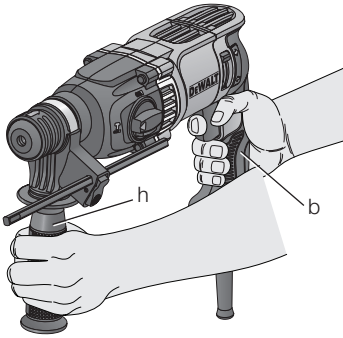


Figure 8



HEAVY-DUTY ROTARY HAMMERDRILL

D25032, D25033, D25132, D25133, D25134, D25143, D25144

Congratulations!

You have chosen a DEWALT tool. Years of experience, thorough product development and innovation make DEWALT one of the most reliable partners for professional power tool users.

Technical Data

		D25032	D25033	D25132	D25133	D25134	D25143	D25144
Voltage	V	220-240	220-240	220-240	220-240	220-240	220-240	220-240
Power input	W	710	710	800	800	800	900	900
No-load speed	min ⁻¹	0-1550	0-1550	0-1500	0-1500	0-1500	0-1450	0-1450
No-load beats per min	bpm	0-5680	0-5680	0-5500	0-5500	0-5540	0-5350	0-5350
Single Impact energy (NON EPTA)	J	2.1	2.1	2.9	2.9	3.0	3.2	3.2
Maximum drilling range in steel/wood/concrete	mm	13/30/22	13/30/22	13/30/26	13/30/26	13/30/26	13/30/28	13/30/28
Chisel positions		--	44	--	44	48	48	48
Core drilling capacity in soft brick	mm	50	50	50	50	65	65	65
Tool holder		SDS Plus	SDS Plus	SDS Plus	SDS Plus	SDS Plus	SDS Plus	SDS Plus
Collar diameter	mm	43	43	43	43	54	54	54
Weight	kg	2.5	2.5	2.6	2.6	3.0	3.1	3.1

Definitions: Safety Guidelines

The definitions below describe the level of severity for each signal word. Please read the manual and pay attention to these symbols.



DANGER: Indicates an imminently hazardous situation which, if not avoided, **will result in death or serious injury.**



WARNING: Indicates a potentially hazardous situation which, if not avoided, **could result in death or serious injury.**



CAUTION: Indicates a potentially hazardous situation which, if not avoided, **may result in minor or moderate injury.**

NOTICE: Indicates a practice **not related to personal injury** which, if not avoided, **may result in property damage.**



Denotes risk of electric shock.



Denotes risk of fire.



WARNING: To reduce the risk of injury, read the instruction manual.

General Power Tool Safety Warnings



WARNING! Read all safety warnings and instructions. Failure to follow the warnings and instructions may result in electric shock, fire and/or serious injury.

SAVE ALL WARNINGS AND INSTRUCTIONS FOR FUTURE REFERENCE

The term "power tool" in the warnings refers to your mains-operated (corded) power tool or battery-operated (cordless) power tool.

1) WORK AREA SAFETY

- Keep work area clean and well lit.** Cluttered or dark areas invite accidents.
- Do not operate power tools in explosive atmospheres, such as in the presence of flammable liquids, gases or dust.** Power tools create sparks which may ignite the dust or fumes.
- Keep children and bystanders away while operating a power tool.** Distractions can cause you to lose control.

2) ELECTRICAL SAFETY

- Power tool plugs must match the outlet. Never modify the plug in any way. Do not use any adapter plugs with earthed (grounded) power tools.** Unmodified plugs

and matching outlets will reduce risk of electric shock.

- b) **Avoid body contact with earthed or grounded surfaces such as pipes, radiators, ranges and refrigerators.** There is an increased risk of electric shock if your body is earthed or grounded.
- c) **Do not expose power tools to rain or wet conditions.** Water entering a power tool will increase the risk of electric shock.
- d) **Do not abuse the cord. Never use the cord for carrying, pulling or unplugging the power tool. Keep cord away from heat, oil, sharp edges or moving parts.** Damaged or entangled cords increase the risk of electric shock.
- e) **When operating a power tool outdoors, use an extension cord suitable for outdoor use.** Use of a cord suitable for outdoor use reduces the risk of electric shock.
- f) **If operating a power tool in a damp location is unavoidable, use a residual current device (RCD) protected supply.** Use of an RCD reduces the risk of electric shock.

3) PERSONAL SAFETY

- a) **Stay alert, watch what you are doing and use common sense when operating a power tool. Do not use a power tool while you are tired or under the influence of drugs, alcohol or medication.** A moment of inattention while operating power tools may result in serious personal injury.
- b) **Use personal protective equipment. Always wear eye protection.** Protective equipment such as dust mask, non-skid safety shoes, hard hat, or hearing protection used for appropriate conditions will reduce personal injuries.
- c) **Prevent unintentional starting. Ensure the switch is in the off position before connecting to power source and/or battery pack, picking up or carrying the tool.** Carrying power tools with your finger on the switch or energising power tools that have the switch on invites accidents.
- d) **Remove any adjusting key or wrench before turning the power tool on.** A wrench or a key left attached to a rotating part of the power tool may result in personal injury.
- e) **Do not overreach. Keep proper footing and balance at all times.** This enables better control of the power tool in unexpected situations.
- f) **Dress properly. Do not wear loose clothing or jewellery. Keep your hair,**

clothing and gloves away from moving parts. Loose clothes, jewellery or long hair can be caught in moving parts.

- g) **If devices are provided for the connection of dust extraction and collection facilities, ensure these are connected and properly used.** Use of dust collection can reduce dust-related hazards.

4) POWER TOOL USE AND CARE

- a) **Do not force the power tool. Use the correct power tool for your application.** The correct power tool will do the job better and safer at the rate for which it was designed.
- b) **Do not use the power tool if the switch does not turn it on and off.** Any power tool that cannot be controlled with the switch is dangerous and must be repaired.
- c) **Disconnect the plug from the power source and/or the battery pack from the power tool before making any adjustments, changing accessories, or storing power tools.** Such preventive safety measures reduce the risk of starting the power tool accidentally.
- d) **Store idle power tools out of the reach of children and do not allow persons unfamiliar with the power tool or these instructions to operate the power tool.** Power tools are dangerous in the hands of untrained users.
- e) **Maintain power tools. Check for misalignment or binding of moving parts, breakage of parts and any other condition that may affect the power tool's operation. If damaged, have the power tool repaired before use.** Many accidents are caused by poorly maintained power tools.
- f) **Keep cutting tools sharp and clean.** Properly maintained cutting tools with sharp cutting edges are less likely to bind and are easier to control.
- g) **Use the power tool, accessories and tool bits etc., in accordance with these instructions taking into account the working conditions and the work to be performed.** Use of the power tool for operations different from those intended could result in a hazardous situation.

5) SERVICE

- a) **Have your power tool serviced by a qualified repair person using only identical replacement parts.** This will ensure that the safety of the power tool is maintained.

Additional Specific Safety Rules for Rotary Hammers

- **Wear ear protectors.** Exposure to noise can cause hearing loss.
- **Use auxiliary handles supplied with the tool.** Loss of control can cause personal injury.
- **Hold power tools by insulated gripping surfaces when performing an operation where the cutting tool may contact hidden wiring or its own cord.** Contact with a “live” wire will make exposed metal parts of the tool “live” and shock the operator.
- **Use clamps or other practical way to secure and support the workpiece to a stable platform.** Holding the work by hand or against your body is unstable and may lead to loss of control.
- **Wear safety goggles or other eye protection.** Hammering operations cause chips to fly. Flying particles can cause permanent eye damage. Wear a dust mask or respirator for applications that generate dust. Ear protection may be required for most applications.
- **Keep a firm grip on the tool at all times. Do not attempt to operate this tool without holding it with both hands.** It is recommended that the side handle be used at all times. Operating this tool with one hand will result in loss of control. Breaking through or encountering hard materials such as re-bar may be hazardous as well. Tighten the side handle securely before use.
- **Do not operate this tool for long periods of time.** Vibration caused by hammer action may be harmful to your hands and arms. Use gloves to provide extra cushion and limit exposure by taking frequent rest periods.
- **Do not recondition bits yourself.** Chisel reconditioning should be done by an authorized specialist. Improperly reconditioned chisels could cause injury.
- **Wear gloves when operating tool or changing bits.** Accessible metal parts on the tool and bits may get extremely hot during operation. Small bits of broken material may damage bare hands.
- **Never lay the tool down until the bit has come to a complete stop.** Moving bits could cause injury.
- **Do not strike jammed bits with a hammer to dislodge them.** Fragments of metal or material chips could dislodge and cause injury.

- *Slightly worn chisels can be resharpened by grinding.*
- *Keep the power cord away from the rotating bit. Do not wrap the cord around any part of your body. An electric cord wrapped around a spinning bit may cause personal injury and loss of control.*

Residual Risks

The following risks are inherent to the use of rotary hammers:

- Injuries caused by touching the rotating parts or hot parts of the tool

In spite of the application of the relevant safety regulations and the implementation of safety devices, certain residual risks cannot be avoided. These are:

- Impairment of hearing.
- Risk of squeezing fingers when changing the accessory.
- Health hazards caused by breathing dust developed when working in concrete and/or masonry.

Markings on Tool

The following pictograms are shown on the tool:



Read instruction manual before use.



Wear ear protection.



Wear eye protection.

DATE CODE POSITION (FIG. 1)

The Date Code (I), which also includes the year of manufacture, is printed into the housing.

Example:

2014 XX XX

Year of Manufacture

Package Contents

The package contains:

- 1 Heavy-duty rotary hammerdrill
- 1 Side handle
- 1 Depth adjustment rod
- 1 Kitbox

1 Keyless chuck (D25144)

1 Instruction manual

- Check for damage to the tool, parts or accessories which may have occurred during transport.
- Take the time to thoroughly read and understand this manual prior to operation.

Description (fig. 1, 5, 8)



WARNING: Never modify the power tool or any part of it. Damage or personal injury could result.

- Variable speed switch
- Main handle
- Forward/Reverse lever
- Mode selector
- Mode selector button
- SDS Plus tool holder
- Depth adjustment rod
- Side handle
- Depth rod button
- Sleeve
- Dust cover
- Date code
- Locking collar (D25144)
- Keyless chuck (D25134/D25144)
- Lock-on button

INTENDED USE

The D25032 heavy-duty rotary hammer has been designed for professional drilling, hammerdrilling, and screwdriving. The D25033, D25133 and D25144 heavy-duty rotary hammers have been designed for professional drilling, hammerdrilling, screwdriving and light chipping.

DO NOT use under wet conditions or in presence of flammable liquids or gases.

These hammerdrills are professional power tools.

DO NOT let children come into contact with the tool. Supervision is required when inexperienced operators use this tool.

- **Young children and the infirm.** This appliance is not intended for use by young children or infirm persons without supervision.
- This product is not intended for use by persons (including children) suffering from diminished physical, sensory or mental abilities; lack of experience, knowledge or skills unless they are supervised by a person responsible for their

safety. Children should never be left alone with this product.

Torque Limiting Clutch

All rotary hammerdrills are equipped with a torque limiting clutch that reduces the maximum torque reaction transmitted to the operator in case of jamming of a drill bit. This feature also prevents the gearing and electric motor from stalling. The torque limiting clutch has been factory-set and cannot be adjusted.

Electrical Safety

The electric motor has been designed for one voltage only. Always check that the power supply corresponds to the voltage on the rating plate.



Your DEWALT tool is double insulated in accordance with IEC 60745; therefore no earth wire is required.



WARNING: 115 V units have to be operated via a fail-safe isolating transformer with an earth screen between the primary and secondary winding.

If the supply cord is damaged, it must be replaced by a specially prepared cord available through the DEWALT service organisation.

Using an Extension Cable

If an extension cable is required, use an approved 3-core extension cable suitable for the power input of this tool (see technical data). The minimum conductor size is 1.5 mm²; the maximum length is 30 m.

When using a cable reel, always unwind the cable completely.

ASSEMBLY AND ADJUSTMENTS



WARNING: To reduce the risk of injury, turn unit off and disconnect machine from power source before installing and removing accessories, before adjusting or changing set-ups or when making repairs. Be sure the trigger switch is in the OFF position. An accidental start-up can cause injury.

Selecting the Operating Mode (fig. 2)

The tool can be used in the following operating modes:



Rotary drilling: for screwdriving and for drilling into steel, wood and plastics



Hammerdrilling: for concrete and masonry drilling operations.
Bit rotation: non-working position used only to rotate a flat chisel into the desired position



Hammering only (D25033, D25133, D25134, D25144): for light chipping, chiselling and demolition applications. In this mode the tool can also be used as a lever to free a jammed drill bit.

1. To select the operating mode, press the mode selector button (e) and rotate the mode selector switch (d) until it points to the symbol of the required mode.
2. Release the mode selector button and check that the mode selector switch is locked in place.



WARNING: Do not select the operating mode when the tool is running.

Indexing the Chisel Position (fig. 2)

The chisel can be indexed and locked into different positions.

1. Press the mode selector button (e) and rotate the mode selector switch (d) until it points to the "bit rotation/hammerdrilling" position.
2. Rotate the chisel to the desired position.
3. Set the mode selector switch (d) to the "hammering only" position.
4. Twist the chisel until it locks in position.

Inserting and Removing SDS Plus Accessories (fig. 3)

This tool uses SDS Plus accessories (refer to the inset in fig. 3 for a cross-section of an SDS Plus bit shank). We recommend using professional accessories only.

1. Clean and grease the bit shank.
2. Insert the bit shank into the SDS Plus tool holder (f).
3. Push the bit down and turn it slightly until it fits into the slots.
4. Pull on the bit to check if it is properly locked. The hammering function requires the bit to be able to move axially several centimetres when locked in the tool holder.
5. To remove a bit, pull back the tool holder sleeve (j) and pull out the bit.



WARNING: Always wear gloves when you change accessories. The exposed metal parts on the tool and accessory may become extremely hot during operation.

Fitting the Side Handle (fig. 4)

The side handle (h) can be fitted to suit both right-handed and left-handed users.



WARNING: Do not use the tool without the side handle properly assembled.

1. Loosen the side handle.
2. **For right-handed users:** Slide the side handle clamp over the collar behind the tool holder, handle at the left.
For left-handed users: Slide the side handle clamp over the collar behind the tool holder, handle at the right.
3. Rotate the side handle to the desired position and tighten the handle.

Setting the Drilling Depth (fig. 5)

1. Insert the required drill bit as described above.
2. Press the depth rod button (i) and keep it depressed.
3. Fit the depth adjustment rod (g) through the hole in the depth stop clamp.
4. Adjust the drilling depth as shown.
5. Release the depth stop clamp.

Reversing Lever (fig. 6)

The forward/reverse lever (c) is used to reverse the rotation of the hammer for backing out fasteners or jammed bits in the drill-only function.



CAUTION: When reversing to clear jammed bits, be ready for strong reactive torque.

To reverse the hammer, turn it off and align the forward/reverse lever (c) with the yellow arrow pointing backward.

To position the lever for forward operation, turn the hammer off and align the forward/reverse lever (c) with the yellow arrow pointing forward.

Fitting the Chuck Adapter and Chuck

OPTIONAL ACCESSORY D25032, D25033, D25133

1. Screw the chuck onto the threaded end of the chuck adapter.
2. Insert the connected chuck and adapter in the tool as though it were a standard SDS Plus bit.

- To remove the chuck, proceed as for removing a standard SDS Plus bit.



WARNING: Never use standard chucks in the hammerdrilling mode.

Replacing the SDS Plus Tool Holder with the Keyless Chuck (fig. 7)

D25134, D25144

- Turn the locking collar (m) into the unlocking position and pull the SDS Plus Tool Holder (f) off.
- Push the keyless chuck (n) onto the spindle and turn the locking collar (m) to the locking position.

To replace the keyless chuck with the SDS Plus tool holder, first remove the keyless chuck the same way the tool holder was removed. Then place the tool holder the same way the keyless chuck was placed, making sure to turn the locking collar to the locking position.



WARNING: Never use standard chucks in the hammerdrilling mode.

Replacing the Dust Cover (fig. 1)

The dust cover (k) prevents dust ingress into the mechanism. Replace a worn dust cover immediately.

- Pull back the tool holder locking sleeve (j) and pull the dust cover (k) off.
- Fit the new dust cover.
- Release the tool holder locking sleeve.

OPERATION

Instructions for Use



WARNING:

- Always observe the safety instructions and applicable regulations.
- Be aware of the location of pipework and wiring.
- Apply only a gentle pressure to the tool (approx. 5 kg). Excessive force does not speed up drilling but decreases tool performance and may shorten tool life.
- Do not drill or drive too deep to prevent damage to the dust cover.
- Always hold the tool firmly with both hands and ensure a secure stance (fig. 9). Always operate the tool with the side handle properly mounted.

Proper Hand Position (fig. 8)



WARNING: To reduce the risk of serious personal injury, **ALWAYS** use proper hand position as shown.



WARNING: To reduce the risk of serious personal injury, **ALWAYS** hold securely in anticipation of a sudden reaction.

Proper hand position requires one hand on the side handle (h), with the other hand on the main handle (b).

Switching On and Off (fig. 1)

- To run the tool, press the variable speed switch (a). The pressure exerted on the variable speed switch determines the tool speed.
- For continuous operation, press and hold down the variable speed switch.
- To stop the tool, release the switch.

Hammerdrilling (fig. 1)

DRILLING WITH A SOLID BIT

- Hold down the mode selector button (e) then set the mode selector switch (d) to the hammerdrilling position.

- Insert the appropriate drill bit.

NOTE: For best results use high quality carbide-tipped bits.

- Adjust the side handle (h) as required.
- If necessary, set the drilling depth.
- Mark the spot where the hole is to be drilled.
- Place the drill bit on the spot and switch on the tool.
- Always switch off the tool when work is finished and before unplugging.

DRILLING WITH A CORE BIT

- Hold down the mode selector button (e) then set the mode selector switch (d) to the hammerdrilling position.
- Adjust the side handle (h) as required.
- Insert the appropriate core bit.
- Assemble the centerdrill into the core bit.
- Place the centerdrill on the spot and press the on/off switch (a). Drill until the core penetrates into the concrete approx. 1 cm.
- Stop drilling and remove the centerdrill. Place the core bit back into the hole and continue drilling.
- When drilling through a structure thicker than the depth of the core bit, break away the round

cylinder of concrete or core inside the bit at regular intervals. To avoid unwanted breaking away of concrete around the hole, first drill a hole the diameter of the center drill completely through the structure. Then drill the cored hole halfway from each side.

8. Always switch off the tool when work is finished and before unplugging.

Rotary Drilling (fig. 1)

1. Hold down the mode selector button (e) then set the mode selector switch (d) to the "rotary drilling" position.
2. Depending on your tool, follow either of the following instructions:
 - **D25032, D25033, D25133:** Fit the chuck adapter/chuck assembly.
 - **D25134, D25144:** Replace the SDS Plus tool holder with the keyless chuck .
3. Proceed as described for hammerdrilling.



WARNING: Never use standard chucks in the hammerdrilling mode.

Screwdriving (fig. 1)

1. Hold down the mode selector button (e) then set the mode selector switch (d) to the rotary drilling position.
2. Select the direction of rotation.
3. Depending on your tool, follow either of the following instructions:
 - **D25032, D25033, D25133:** Insert the special SDS Plus screwdriving adaptor for use with hexagonal screwdriver bits.
 - **D25134:** Replace the SDS Plus tool holder with the keyless chuck
4. Insert the appropriate screwdriver bit. When driving slotted head screws always use bits with a finder sleeve.
5. Gently press the variable speed switch (a) to prevent damage to the screw head. In reverse (LH) rotation the tool speed is automatically reduced for easy screw removal.
6. When the screw is flush with the workpiece, release the variable speed switch to prevent the screw head from penetrating into the workpiece.

Chipping and Chiselling (fig. 1)

D25033, D25133, D25134, D25144

1. Hold down the mode selector button (e) then set the mode selector switch (d) to the "hammering only" position.

2. Insert the appropriate chisel and rotate it by hand to lock it into position.
3. Adjust the side handle (h) as required.
4. Switch on the tool and start working.
5. Always switch off the tool when work is finished and before unplugging.



WARNING:

- Do not use this tool to mix or pump easily combustible or explosive fluids (benzine, alcohol, etc.).
- Do not mix or stir inflammable liquids labelled accordingly.

MAINTENANCE

Your DEWALT power tool has been designed to operate over a long period of time with a minimum of maintenance. Continuous satisfactory operation depends upon proper tool care and regular cleaning.



WARNING: To reduce the risk of injury, turn unit off and disconnect machine from power source before installing and removing accessories, before adjusting or changing set-ups or when making repairs. Be sure the trigger switch is in the OFF position. An accidental start-up can cause injury.

- This machine is not user-serviceable. Take the tool to an authorised DEWALT repair agent after approximately 40 hours of use. If problems occur before this time contact an authorised DEWALT repair agent.
- The tool will automatically switch off when the carbon brushes are worn.

Motor Brushes

DEWALT uses an advanced brush system which automatically stops the drill when the brushes wear out. This prevents serious damage to the motor. New brush assemblies are available at authorised DEWALT service centers. Always use identical replacement parts.



Lubrication

Your power tool requires no additional lubrication.

Accessories and attachments used must be regularly lubricated around the SDS Plus fitment.



Cleaning



WARNING: Blow dirt and dust out of the main housing with dry air as often as dirt is seen collecting in and around the air vents. Wear approved eye protection and approved dust mask when performing this procedure.



WARNING: Never use solvents or other harsh chemicals for cleaning the non-metallic parts of the tool. These chemicals may weaken the materials used in these parts. Use a cloth dampened only with water and mild soap. Never let any liquid get inside the tool; never immerse any part of the tool into a liquid.

advantage of this service please return your product to any authorised repair agent who will collect them on our behalf.

You can check the location of your nearest authorised repair agent by contacting your local DEWALT office at the address indicated in this manual. Alternatively, a list of authorised DEWALT repair agents and full details of our after-sales service and contacts are available on the Internet at: www.2helpU.com.

Optional Accessories



WARNING: Since accessories, other than those offered by DEWALT, have not been tested with this product, use of such accessories with this tool could be hazardous. To reduce the risk of injury, only DEWALT, recommended accessories should be used with this product.

Various types of SDS Plus drill bits and chisels are available as an option.

Consult your dealer for further information on the appropriate accessories.

Protecting the Environment



Separate collection. This product must not be disposed of with normal household waste.

Should you find one day that your DEWALT product needs replacement, or if it is of no further use to you, do not dispose of it with household waste. Make this product available for separate collection.



Separate collection of used products and packaging allows materials to be recycled and used again. Re-use of recycled materials helps prevent environmental pollution and reduces the demand for raw materials.

Local regulations may provide for separate collection of electrical products from the household, at municipal waste sites or by the retailer when you purchase a new product.

DEWALT provides a facility for the collection and recycling of DEWALT products once they have reached the end of their working life. To take

重型电锤

D25032、D25033、D25132、D25133、D25134、D25143、D25144

祝贺您！

感谢您选购 DeWALT 工具。凭借多年的产品开发和创新能力，DeWALT 已经成为专业电动工具用户最可靠的合作伙伴之一。

技术参数

		D25032	D25033	D25132	D25133	D25134	D25143	D25144
电压	V	220	220	220	220	220	220	220
输入功率	W	710	710	800	800	800	900	900
空载转速	min ⁻¹	0 1550	0 1550	0 1500	0 1500	0 1500	0 1450	0 1450
每分钟冲击数	bpm	0 5680	0 5680	0 5500	0 5500	0 5500	0 5350	0 5350
单次冲击能量 (非 EPTA)	J	2.1	2.1	2.9	2.9	3.0	3.2	3.2
钢材/木材/混凝土 中的最大钻孔直径	mm	13/30/22	13/30/22	13/30/26	13/30/26	13/30/26	13/30/28	13/30/28
凿子位置		--	44	--	44	48	48	48
软质砖钻孔能力	mm	50	50	50	50	65	65	65
工具夹持器		SDS Plus	SDS Plus	SDS Plus	SDS Plus	SDS Plus	SDS Plus	SDS Plus
轴环直径	mm	43	43	43	43	54	54	54
重量	kg	2.5	2.5	2.6	2.6	3.0	3.1	3.1

定义：安全守则

下列定义描述了各标志术语的严重程度。请仔细阅读这本手册，并注意这些标志。



危险：表示紧急危险情况，如果不加以避免，**将导致死亡或严重伤害。**



警告：表示存在潜在的危险情况，如果不加以避免，**可能导致死亡或严重伤害。**



警示：表示存在潜在危险情况，如果不加以避免，**可能导致轻度或中度伤害。**

注意：表示存在不涉及人身伤害的情况，如果不加以避免，**可能导致财产损失。**



表示存在触电风险。



表示存在火灾风险。



警告：为降低伤害风险，请阅读使用手册。

电动工具通用安全警告



警告！阅读所有警告和所有说明。不遵照以下警告和说明会导致电击、着火和/或严重伤害。

保存所有警告和说明书以备查阅。

在所有下列的警告中术语“电动工具”指市电驱动（有线）电动工具或电池驱动（无线）电动工具。

1) 工作场地的安全

- 保持工作场地清洁和明亮。**混乱和黑暗的场地会引发事故。
- 不要在易爆环境，如有易燃液体、气体或粉尘的环境下操作电动工具。**电动工具产生的火花会点燃粉尘或气体。
- 让儿童和旁观者离开后操作电动工具。**注意力不集中会使你失去对工具的控制。

2) 电气安全

- 电动工具插头必须与插座相配。绝不能以任何方式改装插头。需接地的电动工具不能使**

用任何转换插头。未经改装的插头和相配的插座将减少电击危险。

- b) **避免人体接触接地表面，如管道、散热片和冰箱。**如果你身体接地会增加电击危险。
- c) **不得将电动工具暴露在雨中或潮湿环境中。**水进入电动工具将增加电击危险。
- d) **不得滥用电线。绝不能用电线搬运、拉动电动工具或拔出其插头。使电线远离热源、油、锐边或运动部件。**受损或缠绕的软线会增加电击危险。
- e) **当在户外使用电动工具时，使用适合户外使用的外接软线。**适合户外使用的软线将减少电击危险。
- f) **如果在潮湿环境下操作电动工具是不可避免的，应使用剩余电流动作保护器（RCD）。**使用RCD可减小电击危险。

3) 人身安全

- a) **保持警觉，当操作电动工具时关注所从事的操作并保持清醒。**当你感到疲倦，或在有药物、酒精或治疗反应时，不要操作电动工具。在操作电动工具时瞬间的疏忽会导致严重人身伤害。
- b) **使用个人防护装置。始终佩戴护目镜。**安全装置，诸如适当条件下使用防尘面具、防滑安全鞋、安全帽、听力防护等装置能减少人身伤害。
- c) **防止意外起动。确保开关在连接电源和/或电池盒、拿起或搬运工具时处于关断位置。**手指放在已接通电源的开关上或开关处于接通时插入插头可能会导致危险。
- d) **在电动工具接通之前，拿掉所有调节钥匙或扳手。**遗留在电动工具旋转零件上的扳手或钥匙会导致人身伤害。
- e) **手不要伸展得太长。时刻注意立足点和身体平衡。**这样在意外情况下能很好地控制电动工具。
- f) **着装适当。不要穿宽松衣服或佩戴饰品。让你的衣服、手套和头发远离运动部件。**宽松衣服、佩饰或长发可能会卷入运动部件中。

- g) **如果提供了与排屑、集尘设备连接用的装置，要确保他们连接完好且使用得当。**使用这些装置可减少尘屑引起的危险。

4) 电动工具使用和注意事项

- a) **不要滥用电动工具，根据用途使用适当的电动工具。**选用适当设计的电动工具会使你工作更有效、更安全。
- b) **如果开关不能接通或关断工具电源，则不能使用该电动工具。**不能用开关来控制的电动工具是危险的且必须进行修理。
- c) **在进行任何调节、更换附件或贮存电动工具之前，必须从电源上拔掉插头和/或使电池盒与工具脱开。**这种防护性措施将减少工具意外起动的危险。
- d) **将闲置不用的电动工具贮存在儿童所及范围之外，并且不要让不熟悉电动工具或对这些说明不了解的人操作电动工具。**电动工具在未经培训的用户手中是危险的。
- e) **保养电动工具。检查运动件是否调整到位或卡住，检查零件破损情况和影响电动工具运行的其他状况。**如有损坏，电动工具应在使用前修理好。许多事故由维护不良的电动工具引发。
- f) **保持切削刀具锋利和清洁。**保养良好的有锋利切削刃的刀具不易卡住而且容易控制。
- g) **按照使用说明书，考虑作业条件和进行的作业来使用电动工具、附件和工具的刀头等。**将电动工具用于那些与其用途不符的操作可能会导致危险。

5) 维修

- a) **将你的电动工具送交专业维修人员，使用同样的备件进行修理。**这样将确保所维修的电动工具的安全性。

电锤特定安全附加规则

- **戴好耳罩。**暴露在噪声中会引起听力损伤。
- **使用随工具提供的辅助手柄。**操作失手会引起人身伤害。
- **在切削附件可能触及暗线或其自身软线之处进行操作时，要通过绝缘握持面来握持工具。**切

削附件碰到带电导线会使工具外露的金属零件带电从而使操作者受到电击。

- **使用夹具或采取其他可行的方法，将工件固定、支撑到稳定的平台上。**手持或用身体顶住工件都是不稳定的，会导致操作失控。
- **请佩戴安全护目镜或其他护目装备。**冲击操作会导致碎片飞散。飞散的颗粒会对眼睛造成永久性伤害。请在产生粉尘的应用环境佩戴防尘面具或口罩。大多应用环境需要佩戴听力保护器。
- **时刻紧握工具。切勿尝试在不使用双手握住工具时操作此工具。**建议始终使用侧手柄。单手操作此工具会导致失控。穿透或遇到坚硬材料（如钢筋）也可能会发生危险。使用前请务必稳固转紧侧手柄。
- **切勿长时间操作此工具。**锤击操作导致的振动可能会伤害您的手部和手臂。使用手套提供额外缓冲，经常停下休息，限制使用时间。
- **切勿自行整修钻头。**凿子的整修工作应由授权专业人员来完成。凿子整修不当可能会导致伤害。
- **操作工具或更换钻头时请佩戴手套。**工具和钻头上的可接触金属部件可能会在操作过程中变得非常热。少量破碎材料可能会导致双手受伤。
- **直到钻头完全停止运动才放下工具。**运动钻头可能会导致伤害。
- **请勿使用锤子击打卡住的钻头。**金属碎片或材料碎屑可能会弹出而导致伤害。
- **轻度磨损的凿子可通过打磨进行磨尖。**
- **让电线远离旋转中的钻头。请勿用身体的任何部位缠绕电线。**缠绕在旋转中的钻头周围的电线可能会导致人身伤害和失控。

其他风险

使用电锤时具有下列固有危险：

碰触工具的旋转部件或发热部件会导致人身伤害

尽管遵守了相关的安全法规并采用了安全装备，某些其他风险仍然是无法避免的。这些风险包括：

听力损伤。

更换附件时夹到手指的风险。

在混凝土和/或砖石环境中工作时，吸入粉尘导致的健康危害。

工具上的标识

工具上印有下列图形：



使用前请参阅说明手册。



请佩戴听力保护器。



请佩戴护目装备。

日期码位置 (图 1)

包含制造年份的日期码 (I) 印在工具外壳上。示例：

2014 XX XX

制造年份

包装内的物品

本产品包装内的物品有：

- 1 个重型电锤
- 1 个侧手柄
- 1 个深度调节杆
- 1 个工具箱
- 1 个自紧式夹头 (D25144)
- 1 本使用手册

- 检查工具、部件或附件是否在运输过程中损坏。
- 操作前，请抽空仔细阅读并掌握本手册。

说明 (图 1、5、8)



警告：切勿改装电动工具或其任何部件，否则可能会导致损坏或人身伤害。

- 变速开关
- 主手柄
- 正/反转杆
- 模式选择器
- 模式选择器按钮
- SDS Plus 工具夹持器
- 深度调节杆
- 侧手柄
- 深度调节杆按钮
- 套管
- 防尘罩
- 日期码
- 锁环 (D25144)
- 自紧式夹头 (D25134/D25144)
- 自锁开关

设计用途

D25032 和 D25132 重型电锤设计用于专业钻孔、锤钻和螺丝安装用途。D25033、D25133、D25134、D25143 和 D25144 重型电锤设计用于专业钻孔、锤钻、螺丝安装和轻型切削用途。

请勿在潮湿环境中或在有易燃液体或气体的环境中使用。这些电钻是专业型电动工具。**请勿**让儿童接触本产品。缺乏经验的操作员需要在监督下使用本产品。

- **儿童和体弱者。**在没有他人监督的情况下，儿童或体弱者不适宜使用本产品。
- 本产品不适合体力、感官或智力不足以及缺乏经验、知识或技能的人员（包括儿童）使用，除非一旁有能为他们的安全负责的监督人员。不得在无人监管的情况下让儿童接触本产品。

扭矩限制离合器

所有电锤都配有扭矩限制离合器，可减少钻头卡住时传递到操作员的最大扭矩效应。此功能还可防止排挡和电机失速。扭矩限制离合器采用出厂设置，无法调节。

电气安全

电机只适用一种工作电压。请务必检查电源电压是否与铭牌上的电压一致。



您的 DeWALT 工具依据 IEC 60745 标准设置双重绝缘，因此无须接地线。



警告：115 V 装置必须通过故障保险隔离变压器操作，在初级绕组和次级绕组之间使用接地屏蔽。

若电源线损坏，必须交由 DeWALT 维修部门采用专门制备的电线进行更换。

使用延长线

如需使用延长电缆，请使用与本工具的输入功率（见技术数据）匹配的经检验 3 芯延长线。最小导体尺寸为 1.5 平方毫米²，最大长度为 30 米。

使用电缆卷筒时，请务必拉出所有的电缆。

组装和调整



警告：为降低人身伤害的风险，在拆、装附件或调整、修理工具之前，请关闭工具并拔下工具插头。请确保触发开关处于 OFF（关闭）位置。意外启动可能会导致人身伤害。

选择操作模式 (图2)

本工具可在以下三种操作模式下使用：



旋转钻孔：用于螺丝安装以及在钢材、木材和塑胶上钻孔



锤钻：用于在混凝土和砖石上钻孔。
钻头旋转：非工作位置仅用于将平凿旋转到所需的位置



仅锤击 (D25033、D25133、D25134、D25144)：用于轻型切削、凿切和破碎

应用。在此模式下，工具还可用作杠杆，便于取出卡住的钻头。

1. 要选择操作模式，请按模式选择器按钮 (e) 并旋转模式选择器开关 (d)，直到其指向所需的模式符号。
2. 松开模式选择器按钮并检查模式选择器开关是否锁定到位。



警告：在工具运行时切勿选择操作模式。

标记凿子位置 (图2)

可标记凿子并将它锁定在不同的位置中。

1. 按下模式选择器按钮 (e) 并旋转模式选择器开关 (d)，直到其指向“钻头旋转/锤击”位置。
2. 将凿子旋转至所需位置。
3. 将模式选择器开关 (d) 设置到“仅锤击”位置。
4. 扭转凿子，直到其锁定到位。

插入和取出 SDS Plus 附件 (图3)

本工具使用 SDS Plus 附件 (请参阅插页中的图3 查看 SDS Plus 钻头杆的横截面图)。我们建议您仅使用专业附件。

1. 清洁和用油润滑钻头杆。
2. 将钻头杆插入 SDS Plus 工具夹持器 (f)。
3. 按下钻头并稍微转动，直到钻头安装到插槽里。
4. 拉动钻头以检查它是否正确锁定。锤击功能需要钻头在锁定到工具夹持器中时可以轴向移动数厘米。
5. 如果要取出钻头，请向后拉工具夹持器套管 (j)，然后将钻头拉出。



警告：更换附件时请务必佩戴手套。工具和附件上的裸露金属部分可能会在操作过程中变得非常热。

安装侧手柄 (图4)

侧手柄 (h) 可根据需要安装，以适合右手和左手用户的需要。



警告：在侧手柄未正确组装时，切勿使用工具。

1. 松开侧手柄。
2. **对于右手用户：**滑动侧手柄，夹住工具夹持器后面的轴环，手柄在左边。
对于左手用户：滑动侧手柄，夹住工具夹持器后面的轴环，手柄在右边。
3. 将侧手柄旋转至所需位置，然后拧紧手柄。

选择钻孔深度 (图5)

1. 插入所需的钻头。
2. 按下限深器夹 (i)，保持在下陷位置。
3. 使深度调节杆 (g) 穿过限深器夹的孔。
4. 调整钻孔深度，如图所示。
5. 释放限深器夹。

反转杆 (图6)

正/反转杆 (c) 用于反转电锤的旋转方向，适用于退出紧固件或纯钻孔作业中钻头卡住的情况。



警示：在反转以移走卡住的钻头时，请做好出现强大反作用扭矩的准备。

要反转电锤，请将其关闭并将正/反转杆 (c) 对准指向反向的黄色箭头。要定位该杆以进行正向操作，请关闭电锤并将正/反转杆 (c) 对准指向正向的黄色箭头。

安装夹头连接器和夹头

可选附件

D25032、D25033、D25133

1. 将夹头拧到夹头连接器的螺纹端。
2. 将连接好的夹头和连接器插入工具，就像标准 SDS Plus 钻头一样。
3. 要取下夹头，可按照取下标准 SDS Plus 钻头的步骤进行。



警告：切勿在旋转锤击模式下使用标准夹头。

将 SDS Plus 工具夹持器更换成自紧式夹头 (图7)

D25 134、D25 144

1. 将锁环 (m) 旋转至解锁位置并将 SDS Plus 工具夹持器 (f) 拉出。
2. 将自紧式夹头 (n) 推向主轴并将锁环 (m) 旋转至锁定位置。

要使用 SDS Plus 工具夹持器更换自紧式夹头，请先按照卸下工具夹持器的方式卸下自紧式夹头，然后按照放置自紧式夹头的方式放置工具夹持器，并确保将锁环旋转到锁定位置。



警告：切勿在旋转锤击模式下使用标准夹头。

更换防尘罩 (图1)

防尘罩 (k) 可防止灰尘进入工具。立即更换已磨损的防尘罩。

1. 向后拉 SDS Plus 工具夹持器锁定套管 (j)，然后将防尘罩 (k) 拉出。
2. 安装新防尘罩。
3. 松开工具夹持器锁定套管。

操作

使用说明



警告：

- 请务必遵守安全指示和适用法规。
- 注意水管和电线的布线位置。
- 轻轻地对工具施加压力 (约 5 千克)。
- 过度用力不但不会加快钻孔的速度，而且会降低工具性能并可能缩短工具使用寿命。
- 切勿钻得太深以免损坏防尘罩。

- 务必用双手紧握工具并确保站稳 (图9)。务必在正确安装侧手柄后才操作工具。

正确的手持方式 (图8)



警告：为降低严重人身伤害的风险，请务必使用正确的手持方式，如图所示。



警告：为降低严重人身伤害的风险，请务必紧握工具以防止意外事件。

正确的手持位置要求一只手握住侧手柄 (h)，另一只手则握住主手柄 (b)。

开启和关闭 (图1)

1. 要启动工具，请按下变速开关 (a)。工具速度取决于向变速开关施加的压力。
2. 要使工具连续运行，请按下变速开关。
3. 要停止工具，请松开开关。

锤钻 (图1)

使用实心钻头钻孔

1. 按住模式选择器按钮 (e)，然后将模式选择器开关 (d) 旋转到锤钻位置。
2. 插入相应的钻头。

注：为了达到最好的效果，请使用高质量碳化钻头。
3. 根据需要调整侧手柄 (h)。
4. 根据需要设置钻孔深度。
5. 在要钻孔的位置做标记。
6. 将钻头对准标记并开启工具。
7. 作业结束后，务必先关闭工具开关，然后再拔下工具插头。

使用空心钻头钻孔

1. 按住模式选择器按钮 (e)，然后将模式选择器开关 (d) 旋转到锤钻位置。
2. 根据需要调整侧手柄 (h)。
3. 插入相应的空心钻头。
4. 将中心钻组装到空心钻头中。

5. 将中心钻对准钻孔位置并按下开启/关闭开关 (a)。进行钻孔操作，直到钻心穿透混凝土大约 1 厘米。
6. 停止钻孔，然后取下中心钻。将空心钻头放回孔中继续钻孔。
7. 当要钻孔的材料厚度大于空心钻头的深度时，可定期清理钻头内的圆柱体混凝土或材料。要避免意外碎裂孔周围的混凝土，可先在材料上钻一个中心钻直径大小的孔，孔要完全穿透材料。然后使用空心钻头从两边往中心钻孔。
8. 作业结束后，务必先关闭工具开关，然后再拔下工具插头。

旋转钻孔 (图 1)

1. 按下模式选择器按钮 (e)，然后将模式选择器开关 (d) 设置到“旋转钻孔”位置。
2. 根据您的工具，请按照下列说明之一执行操作：

D25032、D25033、D25133：安装夹头连接器/夹头组件。

D25134、D25144：将 SDS Plus 工具夹持器更换成自紧式夹头。

3. 按“锤钻”部分所述进行操作。



警告：切勿在旋转锤击模式下使用标准夹头。

螺丝安装 (图 1)

1. 按下模式选择器按钮 (e)，然后将模式选择器开关 (d) 设置到“旋转钻孔”位置。
2. 选择旋转方向。
3. 根据您的工具，请按照下列说明之一执行操作：

D25032、D25033、D25133：插入专用的 SDS Plus 螺丝安装连接器，以便与六角螺丝起子头搭配使用。

D25134：将 SDS Plus 工具夹持器更换成自紧式夹头

4. 插入相应的螺丝起子头。旋转平头螺丝时务必使用带探测套管的钻头。
5. 轻按变速开关 (a) 以免损坏螺丝头。反向 (LH) 旋转时，工具会自动降低速度，以便取出螺丝。
6. 当螺丝已完全钻入工件时，请松开变速开关以避免螺丝头刺入工件。

切削和凿切 (图 1)

D25033、D25133、D25134、D25144

1. 按下模式选择器按钮 (e)，然后将模式选择器开关 (d) 设置到“仅锤击”位置。
2. 插入相应的凿子，然后用手旋转以使其锁定到位。
3. 根据需要调整侧手柄 (h)。
4. 开启工具并开始工作。
5. 作业结束后，务必先关闭工具开关，然后再拔下工具插头。



警告：

- 切勿使用本工具混合或搅动易燃或易爆液体（汽油、酒精等）。
- 切勿混合或搅拌具有易燃标签的液体。

维护

DeWALT 电动工具设计精良，可以长时间使用，而且只需极少的维护。要持续获得令人满意的工作效果，需要进行合适的工具维护和定期清洁。



警告：为降低人身伤害的风险，在拆、装附件或调整、修理工具之前，请关闭工具并拔下工具插头。请确保触发开关处于 OFF（关闭）位置。意外启动可能会导致人身伤害。

- 本工具不允许用户自行维修。在使用约 40 小时后，请将工具送交 DeWALT 授权维修代理。如果在此之前工具发生任何问题，请联系 DeWALT 授权维修代理。
- 当碳刷磨损时，工具将自动关闭。

马达电刷

DEWALT 采用先进的电刷系统，当电刷磨损时，能够自动关闭工具。这可以防止严重损坏马达。DEWALT 授权的维修中心可以提供新电刷组件。请务必使用相同的备件。



润滑

本电动工具无需另行润滑。SDS Plus 设备中使用的附件和附加装置必须定期进行润滑。



清洁



警告：一旦看到通风口及其周围积聚了尘屑，请用干燥的空气将灰尘和尘屑从主机外壳内吹出。执行此过程时，需戴上经认可的护目装备和防尘面具。



警告：切勿使用溶剂或其他刺激性化学制品来清洁工具的非金属部件。这些化学物质可能会削弱这些部位使用的材料。请用布蘸温和的肥皂水擦拭。切勿让任何液体渗入工具，切勿让工具的任何部件浸在液体中。

可选附件



警告：除了 DEWALT 提供的附件之外，其他附件都未经此产品兼容性测试，若将此类附件与本工具一起使用将存在安全隐患。为降低人身伤害风险，本产品只可使用 DEWALT 推荐的附件。

有各种不同类型的 SDS Plus 钻头和凿子可供选购。请向您的经销商咨询更多关于合适附件的信息。

保护环境



分类回收。本产品不得与普通家庭垃圾一起处理。

如果您发现您的 DEWALT 产品需要更换或您已经不再需要使用这些产品，请不要将它们与家庭垃圾一起处理。请将它们单独分类回收。



分类回收使用过的产品和包装能够让材料得以再循环和再利用。再生材料的再利用有助于防止环境污染，并降低对原材料的需求。

当地法规可能要求由市政废物处理点或向您出售新产品的零售商提供从家庭中分类回收电气产品的服务。

DEWALT 提供设施收集和回收使用寿命到期的 DEWALT 产品。若要享受这项服务，请将产品送回任一授权维修代理处，他们将代表我们回收您的产品。

请根据本手册所提供的地址与当地 DEWALT 办事处联系，查询离您最近的授权维修代理的位置。或者，您也可以登录以下网站查询 DEWALT 授权维修代理名单，以及我们的售后服务和联系方式的详细信息，网址是 www.2helpU.com。

制造商：百得（苏州）科技有限公司

地址：苏州工业园区苏虹中路200号出口加工区

产地：江苏苏州

電鎚鑽

D25032、D25033、D25132、D25133、D25134、 D25143、D25144

恭喜閣下！

感謝您選購 DEWALT 工具。憑藉多年的產品開發和創新經驗，DEWALT 已成為專業電動工具使用者最信賴的夥伴之一。

技術資料

		D25032	D25033	D25132	D25133	D25134	D25143	D25144
電壓	V	110	110	110	110	110	110	110
輸入功率	W	710	710	800	800	800	900	900
空載轉速	min ⁻¹	0-1550	0-1550	0-1500	0-1500	0-1500	0-1450	0-1450
空載衝擊次數/分鐘	bpm	0-5680	0-5680	0-5500	0-5500	0-5540	0-5350	0-5350
單次衝擊能量（非 EPTA）	J	2.1	2.1	2.9	2.9	3.0	3.2	3.2
鋼材/木材/混凝土 的最大鑽孔範圍	mm	13/30/22	13/30/22	13/30/26	13/30/26	13/30/26	13/30/28	13/30/28
鑿子位置		--	44	--	44	48	48	48
軟質磚鑽孔能力	mm	50	50	50	50	65	65	65
工具夾持器		SDS Plus	SDS Plus	SDS Plus	SDS Plus	SDS Plus	SDS Plus	SDS Plus
調整環直徑	mm	43	43	43	43	54	54	54
重量	kg	2.5	2.5	2.6	2.6	3.0	3.1	3.1

定義：安全指南

以下定義描述了每一個詞彙的嚴重程度。請閱讀本手冊並注意這些符號。



危險：表示緊急危險情況，若未能避免，**將導致死亡或嚴重傷害。**



警告：表示潛在危險情況，若未能避免，**可能導致死亡或嚴重傷害。**



小心：表示潛在危險情況，若未能避免，**可能導致輕微或中度傷害。**

注意：表示一種**非人身傷害**的行為，若未能避免，**可能導致財產損失。**



表示觸電危險。



表示火災危險。



警告：為了降低受傷的風險，必須仔細閱讀使用手冊。

電動工具一般安全警告



警告！請閱讀所有安全警告及指示 不遵循這些警告和指示可能會導致觸電、火災及/或嚴重傷害。

**請妥善保存所有的警告和操作手冊
以備將來查閱**

警告中的名詞「電動工具」是指電源驅動（插電）電動工具，或者電池驅動（充電）電動工具。

1) 工作場地安全

- 保持工作場地清潔和明亮。** 混亂或黑暗的場地會引發事故。
- 請勿在易爆環境，如有易燃液體、氣體或粉塵的環境中操作電動工具。** 電動工具產生的火花會點燃粉塵或氣體。
- 請等待兒童和旁觀者離開之後才操縱電動工具。** 分心會導致您疏於控制。

2) 電氣安全

- a) **電動工具插頭必須與插座相符。切勿以任何方式改裝插頭。需接地的電動工具不能使用任何配接器插頭。未經改裝的插頭和相符的插座可以減少觸電危險。**
- b) **避免人體接觸接地表面，如管道、散熱片、爐灶和冰箱。若您的身體接地，會增加觸電危險。**
- c) **不得將電動工具暴露在雨中或潮濕環境中。水進入電動工具會增加觸電危險。**
- d) **請勿濫用電線。請勿使用電線來搬運、拉動電動工具或拔出插頭。讓電線遠離熱、油、銳邊和活動部件。受損或纏繞的電線會增加觸電危險。**
- e) **若要在戶外使用電動工具，請使用適合戶外使用的延長電線。使用適合戶外使用的電線可減少觸電危險。**
- f) **若必須在潮濕場合使用電動工具，請使用漏電保護器 (RCD)。使用 RCD 可降低觸電危險。**

3) 人身安全

- a) **保持警覺；在操作電動工具時，請留意所執行的操作並按照一般的常識執行。請勿在疲倦，或受到藥物、酒精或治療的影響下操作電動工具。操作電動工具期間注意力分散會導致嚴重人身傷害。**
- b) **使用個人防護裝置。始終佩戴護目裝備。**防護裝置，例如在適當條件下使用的防塵面具、防滑安全鞋、安全帽或聽力保護等裝置可減少人身傷害。
- c) **避免意外啟動。連接電源及/或電池組、舉抬或搬運電動工具之前，請確定開關處於關閉位置。搬運電動工具時若將手指放在開關上，或電動工具接通電源時開關處於開啟位置都會引發危險。**
- d) **啟動電動工具之前，請卸下所有的調整鑰匙或扳手。遺留在電動工具旋轉部件上的扳手或鑰匙會導致人身傷害。**

- e) **不要過度伸張雙手。時刻注意腳下與身體的平衡。如此即可在發生意外的情況下更好地控制電動工具。**
- f) **適當穿著。請勿穿寬鬆衣服或佩戴飾品。讓頭髮、衣服和手套遠離活動部件。寬鬆衣服、佩飾和長髮可能會捲入活動部件。**
- g) **若配備用於連接排屑裝置、集塵設備的裝置，請確定正確連接和使用這些裝置。使用集塵設備可減少與粉塵有關的危險。**

4) 電動工具的使用與維護

- a) **不要超負荷使用電動工具。根據您的用途使用適當的電動工具。使用適當的電動工具在其設計可負荷的應用內，會讓您更有效、更安全地執行工作。**
- b) **若開關不能開啟或關閉電源，請勿使用該電動工具。不能用開關來控制的電動工具將存在危險，因此必須進行修理。**
- c) **在執行任何調整、更換配件或儲存工具之前，必須從電源上拔掉插頭及/或卸下電池組。這類防護性措施可降低電動工具意外啟動的風險。**
- d) **將閒置的電動工具儲存在兒童無法接觸的地方，並且不要讓不熟悉電動工具或對這些使用指示不瞭解的人員操作電動工具。電動工具在未經培訓的使用者手中會發生危險。**
- e) **維護電動工具。檢查活動部件是否對準或卡住、破損情況以及是否存在影響電動工具運行的其他情況。若有損毀，必須在使用之前修理電動工具。許多事故都是由於電動工具欠缺維護所導致。**
- f) **保持切削工具鋒利和清潔。妥善維護的帶利刃的切削工具不會輕易卡住並可更輕鬆控制。**
- g) **使用電動工具、配件和工具刀頭時，請遵循這些指示使用，且指示須包含工作環境和所要執行工作的注意事項。不按照設計目的使用電動工具會導致危險。**

5) 檢修

- a) **本電動工具必須由合格的維修人員並只採用相同的替換零件來執行檢修。**這樣將確保電動工具的安全。

電鎚鑽之其他特殊安全規定

- **請佩戴聽力保護器。**噪音會使聽力受損。
- **請使用工具隨附的輔助手柄。**工具失控會導致人身傷害。
- **若在執行操作時切削工具可能會接觸隱藏的電線，請從絕緣手柄表面握住電動工具。**若接觸到「帶電」導線，電動工具金屬部件表面也會「帶電」，從而導致操作人員觸電。
- **使用夾具或採取其他可行的方法，將工件固定、支撐到穩定的平台上。**手持或用身體頂住工件都是不穩定的，並會導致操作失控。
- **請佩戴護目鏡或其他護目裝備。**錘擊會引致碎片飛散。飛散的顆粒可以對眼睛造成永久傷害。請在產生粉塵的環境佩戴面罩或口罩。大多數環境需要佩戴聽力保護器。
- **時刻緊握工具。必須使用雙手操作本工具。**建議任何時候均使用側手柄。使用單手操作本工具會導致操作失控。刺破或遇到堅硬材料如鋼筋亦會導致危險。使用之前必須扭緊側手柄。
- **切勿長時間操作此工具。**破碎機電動鎚產生的震動可能令您的雙手和手臂受傷。請佩戴手套加強保護，而且經常稍作休息，減少承受的震力。
- **請勿自行整修鑽頭。**鑿子應由授權技師整修。不正確地整修鑿子可能導致傷害。
- **操作本工具或更換鑽頭時請佩戴手套。**操作時本工具可接觸的金屬部件和鑽頭溫度可能會非常高。破碎的材料可能會導致雙手受傷。
- **除非鑽頭已完全停止旋轉，否則請勿放下工具。**旋轉中的鑽頭可能會導致傷害。
- **請勿使用錘子敲打卡住的鑽頭。**金屬碎屑或材料切屑可能會彈出和導致傷害。
- **稍有磨損的鑿子可以透過打磨磨尖。**

- **讓電線遠離旋轉中的鑽頭。請勿使用身體纏繞電線。**纏繞在旋轉中的鑽頭附近的電線可能會導致人身傷害或失控。

剩餘風險

使用電鎚有以下固有危險：

- 接觸工具的旋轉部件或高溫部件導致的傷害。

即使應用有關的安全規定並採用安全設備，仍然還有一些無法避免的剩餘風險。危險包括：

- 聽力受損。
- 更換配件時擠壓手指的危險。
- 在混凝土和/或磚石工作環境下產生的可吸入粉塵對健康的危害。

工具上的標誌

工具上會附帶下列圖示：



使用之前請閱讀使用手冊。



請佩戴聽力保護器。



請佩戴護目鏡。

日期代碼位置 (圖 1)

日期代碼 (I)，包括 製造年份，已經印刷在工具外殼上。範例：

2014 XX XX

製造年份

套裝內的物件

本套裝包括：

- 1 個重型電鎚鑽
- 1 個側手柄
- 1 個深度調整桿
- 1 個工具箱
- 1 個無鎖匙夾頭 (D25144)

1 本使用手冊

- 檢查工具、部件或配件有否在運送途中損壞。
- 操作前，請抽空徹底地閱讀和掌握本手冊的內容。

說明 (圖 1、5、8)



警告：切勿改動本電動工具或其任何部件，否則可能導致損壞或人身傷害。

- 變速開關
- 主手柄
- 正／反轉桿
- 模式選擇器
- 模式選擇器按鈕
- SDS Plus 工具夾持器
- 深度調節桿
- 側手柄
- 深度調節桿
- 套管
- 塵罩
- 日期代碼
- 鎖定環 (D25144)
- 無鎖匙夾頭 (D25134/D25144)
- 鎖定開關

設計用途

D25032 重型電鏈鑽設計用於專業鑽孔、錘鑽和螺旋用途。D25033、D25133 和 D25144 重型電鏈鑽設計用於專業鑽孔、錘鑽、螺旋和輕力鑿打用途。

切勿在潮濕有水或存有易燃液體或氣體的環境下使用工具。這些鏈鑽是專業的電動工具。**不要**讓兒童接觸本工具。缺乏經驗的操作人員需要在監督下使用本工具。

- **兒童和體弱者。**兒童或體弱者在沒有他人監督的情況下不適宜使用本工具。
- 體力、感覺或智力不足，以及缺乏經驗、知識或技能的人員（包括兒童）不適合使用本產

品，除非一旁有能為他們的安全負責的監督人員。請勿讓兒童單獨接觸本工具。

扭矩限制離合器

所有電鏈鑽皆配備扭矩限制離合器，可減少鑽頭卡住時傳導至操作員的最大扭矩反作用力。此功能還可防止傳動裝置和電機失速。扭矩限制離合器採用出廠設定，無法調節。

電氣安全

電動機只適用一種電壓。請務必檢查電源電壓是否與銘牌一致。



DeWALT 工具根據 IEC 60745 進行雙重絕緣，因此不需要使用接地線。



警告：110 伏特裝置必須透過失靈安全隔離變壓器運作，在初級繞組和次級繞組之間使用接地屏蔽。

若電源線損壞，必須使用 DeWALT 維修機構提供的專用電線進行更換。

使用延長纜線

若需要使用延長電纜，使用適合本工具電源輸入使用的認證 3 芯延長電纜（參閱技術資料）。導電體的最小尺寸為 1.5 mm²；最大長度為 30 m。

使用電纜捲筒時，每次必須把電纜完全展開。

裝配與調整



警告：若要降低傷害危險，請在安裝和移除配件前、調整或變更設定前或進行修理時關閉工具並斷開電源。請確保觸發開關處於關閉 (OFF) 位置。意外啟動工具可能會造成傷害。

選擇操作模式 (圖2)

本工具可用以下操作模式：



鑽孔：用於螺旋以及在鋼材、木材和塑膠上鑽孔。



錘鑽：用於在混凝土和磚石上鑽孔作業。鑽頭旋轉：非工作位置僅用於將平鑿旋轉到所需的位置。



僅錘擊 (D25033、D25133、D25134、D25144)：用於輕型切削、鑿打和拆除應用。在此模式下，工具還可用作撬桿，以便於取出卡住的鑽頭。

1. 若要選擇操作模式，請按模式選擇器按鈕 (e) 並旋轉模式選擇器開關 (d) 直到其指向所需的模式符號。
2. 鬆開模式選擇器按鈕並檢查模式選擇器開關是否鎖定到位。



警告：工具運行時請勿選擇操作模式。

標記鑿子位置 (圖2)

可標記鑿子並將它鎖定在不同的位置中。

1. 按模式選擇器開關 (e) 並旋轉模式選擇器開關 (d) 直到其指向「鑽頭旋轉/錘鑽」位置。
2. 將鑿子旋轉至所需位置。
3. 將模式選擇器開關 (d) 設到「僅錘擊」位置。
4. 旋轉鑿子直至鎖定到位。

放進及取出 SDS Plus 附件 (圖3)

本工具使用 SDS Plus 配件 (請參閱插頁中的圖3 以查看 SDS Plus 鑽頭杆的斷面圖)。建議僅使用專業配件。

1. 清潔和潤滑鑽頭桿。
2. 將鑽頭桿插入 SDS Plus 工具夾持器 (f)。
3. 將鑽頭向下推，輕輕旋轉直到安裝到槽內。
4. 拉動鑽頭以檢查它是否正確鎖定。要使用錘擊功能，鑽頭需要在工具夾持器中鎖定時軸向地移動數公分。
5. 若要取出鑽頭，請向後拉工具夾持器套管 (i)，然後將鑽頭拉出。



警告：更換配件時請務必佩戴手套。操作時本工具和配件表面的金屬部件可能會非常高溫。

安裝側手柄 (圖4)

側手柄 (h) 可根據需要調整，以適合右手操作和左手操作使用者的需要。



警告：側手柄未正確組裝時，切勿使用工具。

1. 鬆開側手柄
2. **對於右手操作使用者：**滑動側手柄越過工具夾持器後面的調整環上方，手柄在左側。
對於左手操作使用者：滑動側手柄越過工具夾持器後面的調整環上方，手柄在右側。
3. 將側手柄旋轉至所需位置，擰緊手柄。

設定鑽孔深度 (圖5)

1. 插入所需的鑽頭，如上所述。
2. 按住深度調節桿 (i)。
3. 使深度調節桿 (g) 穿過限深器夾的孔。
4. 如圖所示調整鑽孔深度。
5. 鬆開限深器夾。

反向桿 (圖6)

正向/反向桿 (c) 用於反向操作電錘鑽，適用於退出緊固件或僅鑽孔模式下鑽頭卡住的情況。



小心：在反向操作以解除鑽頭卡住的情況時，請做好產生強大反作用扭矩的準備。

若要反向操作電錘鑽，請將其關閉並將正向/反向桿 (c) 對準指向反向的黃色箭頭。要使反向桿處於正向操作位置，請關閉電錘鑽並將正向/反向桿 (c) 對準指向正向的黃色箭頭。

安裝夾頭配接器和夾頭

選購配件

D25032、D25033、D25133

1. 將夾頭擰到夾頭配接器的螺紋端。
2. 將連接好的夾頭和配接器插入工具，就像標準 SDS Plus 鑽頭一樣。

3. 要取下夾頭，可依取下標準 SDS Plus 鑽頭的步驟進行。



警告：請勿在錘鑽模式使用標準夾頭。

- 請務必使用雙手穩固地握住工具並站穩（圖9）。請務必在已正確地安裝側手柄的情況下操作本工具。

將 SDS Plus 工具固定器更換為無鎖匙夾頭（圖 7）

D25134、D25144

1. 將鎖定環 (m) 旋轉至解鎖位置並將 SDS Plus 工具固定器 (f) 拉出。
2. 將無鎖匙夾頭 (n) 推向心軸並將鎖定環 (m) 旋轉至鎖定位置。

若要将無鎖匙夾頭更換為 SDS Plus 工具夾持器，請先以卸下工具夾持器同樣的方式卸下無鎖匙夾頭。然後依放置自緊式夾頭的方式放置工具夾持器，並確保將鎖定環旋轉到鎖定位置。



警告：請勿在錘鑽模式使用標準夾頭。

更換塵罩（圖1）

塵罩 (k) 可防止灰塵進入工具。塵罩一旦磨損應立即更換。

1. 向後拉工具夾持器鎖定套管 (j)，然後將塵罩 (k) 拉出。
2. 安裝新塵罩。
3. 鬆開工具夾持器鎖定套管。

操作

使用說明



警告：

- 務必遵守安全指示和適用的規則。
- 小心管道和佈線的所在位置。
- 僅對工具施加適當的力度（大約 5 kg）。過大力度並不會加快鑽孔的速度，並會降低工具的效能和縮短工具的壽命。
- 切勿鑽的太深以避免塵罩損壞。

正確的雙手放置位置（圖 8）



警告：為降低遭受嚴重人身傷害的風險，**務必**如圖示那樣正確放置雙手。



警告：為了減低造成嚴重人身傷害的風險，預期有突然反應時**務必**握緊。

正確的雙手放置位置是一只手放在側手柄 (h) 上，另一只手握住主手柄 (b)。

開啟與關閉（圖1）

1. 若要運行工具，請按變速開關 (a)。工具速度取決於向變速開關施加的壓力。
2. 若要執行持續操作，請按住變速開關。
3. 若要停止運轉工具，請鬆開開關。

銼鑽（圖1）

使用實心鑽頭鑽孔

1. 按住模式選擇器按鈕 (e)，然後將模式選擇器開關 (d) 設到銼鑽位置。
2. 插入相應的鑽頭。

註：為了達到最好的效果，請使用高品質的硬合金鑽頭。
3. 依需要調整側手柄 (h)。
4. 如有需要，設定鑽孔深度。
5. 在要鑽孔的位置做標記。
6. 將鑽頭對準標記並啟動工具。
7. 工作完成後以及拔出插頭前請務必關閉工具。

使用取芯鑽頭鑽孔

1. 按住模式選擇器按鈕 (e)，然後將模式選擇器開關 (d) 設到銼鑽位置。
2. 依需要調整側手柄 (h)。
3. 插入適合的取芯鑽頭。
4. 將中心鑽組裝到取芯鑽頭中。

- 將中心鑽對準鑽孔位置並按電源開關 (a)。進行鑽孔操作直到鑽心穿透混凝土大約 1 cm。
- 停止鑽孔然後取下中心鑽。將取芯鑽頭對準孔中繼續鑽孔。
- 當要鑽孔的材料厚度大於取芯鑽頭的深度時，可定期清理鑽頭內的圓柱體混凝土或芯材。若要避免意外碎裂孔周圍的混凝土，可先在材料上鑽一個中心鑽直徑大小的孔，孔要完全穿透材料。然後對已取芯的孔從兩邊往中心鑽孔。
- 工作完成後以及拔出插頭前請務必關閉工具。

旋轉鑽孔 (圖1)

- 按住模式選擇器按鈕 (e)，然後將模式選擇器開關 (d) 設到「旋轉鑽孔」位置。
- 請根據工具的型號執行以下任一指示：
 - **D25032、D25033、D25133**：安裝夾頭配接器/夾頭組件。
 - **D25134、D25144**：將 SDS Plus 工具固定器更換為無鎖匙夾頭。
- 按錘鑽部分所述進行操作。



警告：請勿在旋轉錘擊模式使用標準夾頭。

螺旋操作 (圖1)

- 按住模式選擇器按鈕 (e)，然後將模式選擇器開關 (c) 設到「旋轉鑽孔」位置。
- 選擇旋轉方向。
- 請根據工具的型號執行以下任一指示：
 - **D25032、D25033、D25133**：安裝專用 SDS Plus 螺旋配接器並配合六角形螺絲起子鑽頭使用。
 - **D25134**：將 SDS Plus 工具固定器更換為無鎖匙夾頭。
- 插入相應的電鑽起子頭。旋轉平頭螺絲時務必使用安裝了探測套管的鑽頭。
- 輕按變速開關 (a) 以避免螺絲頭損壞。向後 (LH) 旋轉時工具會自動降低速度，以便移除螺絲。

- 當螺絲已完全鑽入工件時，請放開變速開關以避免螺絲頭貫穿工件。

鑿切和鑿打 (圖1)

D25033、D25133、D25134、D25144

- 按住模式選擇器按鈕 (e)，然後將模式選擇器開關 (d) 設到「僅鎚擊」位置。
- 插入相應的鑿子，然後手動旋轉直到鑿子鎖定到位置。
- 依需要調整側手柄 (h)。
- 開啟工具以開始操作。
- 工作完成後以及拔出插頭前請務必關閉工具。



警告：

- 請勿使用本工具來混合或泵打易燃或易爆液體（揮發油、酒精等等）。
- 請勿使用本工具來混合或攪拌標有易燃標記的液體。

維護

DEWALT 電動工具採用卓越的設計，能夠長時間使用，並且只需最少的維護。若要持續獲得滿意的操作效果，需進行正確的工具維護和定期的清潔。



警告：若要降低傷害危險，請在安裝和移除配件前、調整或變更設定前或進行修理時關閉工具並斷開電源。請確保觸發開關處於關閉 (OFF) 位置。意外啟動工具可能會造成傷害。

- 本機器不是使用者可檢修的裝置。在使用大約 40 小時後，請將工具送往 DEWALT 授權維修中心。如果在此之前工具發生任何問題請聯絡 DEWALT 授權維修中心。
- 當碳刷磨損時，工具將自動關閉。

電動機電刷

DEWALT 使用先進電刷系統，可在電刷磨損時自動停止電鑽運轉。這可以防止對電動機造成嚴重損壞。授權的 DEWALT 維修中心提供新電刷組件。請務必使用相同的替換零件。



潤滑

本電動工具毋需額外潤滑。使用的 SDS Plus 配件和附件必須定期進行潤滑。



清潔



警告：一旦通風口及其周圍積聚可見的粉塵，請立即使用乾燥的壓縮空氣吹掉主機外殼內的粉塵和灰塵。執行此步驟時，請佩戴經認可的護目裝備和防塵面罩。



警告：切勿使用溶劑或其他刺激性化學品來清潔工具的非金屬部件。這些化學品可能會削弱部件中使用的材料。只能使用抹布蘸中性肥皂水進行清潔。不要讓任何液體進入工具；不要讓工具的任何部分浸入液體中。

選購配件



警告：由於非 DeWALT 所提供的配件未在本產品上進行過使用測試，在本產品上使用這些配件可能會導致危險。為降低傷害危險，在本產品上只應使用 DeWALT 所推薦的配件。

您可選購不同種類的 SDS Plus 鑽頭以及鑿子。如需進一步瞭解適用配件的相關資訊，請洽詢當地代理商。

保護環境



分類收集。本產品必須與一般家庭廢物分開處置。

若您發現您的 DeWALT 產品需要進行替換，或您已經不再需要使用這些產品，請不要將它們與家庭廢物一起處置。務必將本產品送往分類收集處。



分類收集用過的產品和包裝允許材料循環再生利用。重新使用循環利用的材料有助於防止環境污染，並減少原材料的需求。

當地法規可能要求由市政廢物回收點，或由向您出售新產品的經銷商來提供從家庭中個別收集電子產品的服務。

DeWALT 提供設施收集和回收使用壽命結束的 DeWALT 產品。若要享受此項服務，請將產品送回任一授權維修中心，由其代表我們進行收集。

請根據本手冊上所提供地址與當地 DeWALT 辦事處聯絡，查詢離您最近的授權維修中心所在位置。您亦可瀏覽網站查詢 DeWALT 授權維修中心清單和售後服務及聯絡資料之詳細資訊，網址是：www.2helpu.com。

進口商:新加坡商百得電動工具(股)公司台灣分公司

地址:台北市士林區德行西路33號2樓

電話:02-28341741

總經銷商:永安實業股份有限公司

地址:新北市三重區新北大道二段137號

電話:02-29994633

고성능 로타리 햄머드릴

D25032, D25033, D25132, D25133, D25134, D25143, D25144

축하합니다!

DeWALT 공구를 선택해 주셔서 감사합니다. DeWALT는 오랜 경험과 제품 개발 및 혁신을 통해 전문 전동 공구 사용자들이 인정하는 기업으로 자리잡아 왔습니다.

기술 데이터

		D25032	D25033	D25132	D25133	D25134	D25143	D25144
전압	V	220	220	220	220	220	220	220
소비전력	W	710	710	800	800	800	900	900
무부하 속도	min ⁻¹	0-1550	0-1550	0-1500	0-1500	0-1500	0-1450	0-1450
분당 무부하 타격 수	bpm	0-5680	0-5680	0-5500	0-5500	0-5540	0-5350	0-5350
단일 타격력 (NON EPTA)	J	2.1	2.1	2.9	2.9	3.0	3.2	3.2
강철/나무/콘크리트에서 최대 드릴 범위	mm	13/30/22	13/30/22	13/30/26	13/30/26	13/30/26	13/30/28	13/30/28
치즐기능		--	○	--	○	○	○	○
연벽돌에서의 코어 드릴 용량	mm	50	50	50	50	65	65	65
공구 홀더		SDS Plus	SDS Plus	SDS Plus	SDS Plus	SDS Plus	SDS Plus	SDS Plus
무게	kg	2.5	2.5	2.6	2.6	3.0	3.1	3.1

정의: 안전 지침

다음 정의는 각 경고 문구의 심각도를 설명합니다. 사용 설명서를 읽고 다음 기호들에 유의하십시오.



위험: 임박한 위험 상태를 나타내며, 방지하지 않으면 사망 또는 심각한 부상을 초래합니다.



경고: 잠재적 위험 상태를 나타내며, 방지하지 않으면 사망 또는 심각한 부상을 초래할 수 있습니다.



주의: 잠재적으로 위험한 상태를 나타내며, 방지하지 않으면 경미하거나 가벼운 부상을 초래할 수 있습니다.

참고: 신체 부상을 초래하지 않는 행위를 나타내며, 방지하지 않으면 재산상의 손해가 발생할 수 있습니다.



감전 위험을 나타냅니다.



화재 위험을 나타냅니다.



경고: 부상 위험을 줄이려면 사용 설명서를 숙지하십시오.

전동 공구에 관한 일반 안전 경고



경고! 안전에 관한 모든 경고 및 지시 사항을 숙지하십시오. 경고 및 지시 사항을 준수하지 않으면 감전, 화재 및/또는 심각한 부상을 초래할 수 있습니다.

항후 참고할 수 있도록 모든 경고 및 지시 사항을 보관해두십시오.

경고에서 사용된 "전동 공구"라는 용어는 주 공급 전원에 의해 전기가 공급되는(유선) 전동 공구 또는 충전식(무선) 전동 공구를 의미합니다.

1) 작업장 안전

- 작업 영역을 청결히 하고 조명을 밝게 유지하십시오.** 혼잡하거나 어두운 작업장에서는 사고가 발생하기 쉽습니다.
- 가연성 액체, 가스 또는 먼지 등 폭발 가능성이 있는 환경에서 전동 공구를 사용하지 마십시오.** 전동 공구에서 먼지나 가스를 발화시킬 수 있는 불꽃이 될 수 있습니다.
- 전동 공구로 작업하는 동안에는 어린이와 주변 사람들이 작업 영역에 가까이 들어오지 못하도록 하십시오.** 주변이 산만해져 통제력을 잃을 수 있습니다.

2) 전기 안전

- a) **전동 공구의 플러그는 콘센트와 형식이 일치해야 합니다. 플러그를 어떤 방식으로든 절대 개조하지 마십시오. 접지된(지면 접지) 전동 공구에 어떤 어댑터 플러그도 사용하지 마십시오.** 개조되지 않은 플러그 및 형식이 일치하는 콘센트를 사용하면 감전 위험이 줄어듭니다.
- b) **파이프, 라디에이터, 렌즈 및 냉장고 등과 같이 접지된 표면에 신체가 접촉하지 않도록 하십시오.** 신체가 접지되어 있으면 감전 위험이 높아집니다.
- c) **전동 공구를 비 또는 습한 환경에 노출하지 않도록 주의하십시오.** 전동 공구에 물이 들어가면 감전 위험이 높아집니다.
- d) **코드를 합부로 다루지 마십시오. 코드를 사용하여 전동 공구를 운반하거나 잡아당기거나 플러그를 뽑지 마십시오. 열, 오일, 날카로운 모서리 또는 움직이는 부품에서 멀리 떨어진 장소에 코드를 보관하십시오.** 코드가 손상되거나 얽혀 있으면 감전 위험이 높아집니다.
- e) **전동 공구를 실외에서 사용할 때는 실외 사용에 적합한 연장 코드를 사용하십시오.** 실외 사용에 적합한 코드를 사용하면 감전 위험이 줄어듭니다.
- f) **어쩔 수 없이 습한 장소에서 전동 공구를 사용해야 하는 경우에는 누전 차단기(RCD)로 보호된 전원 공급 장치를 사용하십시오.** RCD를 사용하면 감전 위험이 줄어듭니다.

3) 신체 안전

- a) **전동 공구로 작업할 때는 방심하지 말고 작업에 주의하면서 상식을 따르십시오.** 피곤한 상태이거나 약물, 술, 치료제를 복용한 상태에서는 전동 공구를 사용하지 마십시오. 전동 공구를 사용하는 중에 주의력을 잃어 순간적으로 부상을 당할 수 있습니다.
- b) **신체 보호 장비를 착용하십시오. 항상 보안경을 착용하십시오.** 적합한 상황에서 방진 마스크, 미끄럼 방지 안전화, 안전모 또는 청력 보호 기구 등의 보호 장비를 사용하면 신체 부상 위험이 줄어듭니다.
- c) **이도하지 않은 장비 가동 방지. 전원 및/또는 배터리 팩에 연결한 상태로 공구를 선택 또는 운반할 때는 사전에 스위치가 꺼짐 위치에 있는지 반드시 확인하십시오.** 스위치가 꺼짐 위치에 있는 상태에서 스위치에 손가락이 닿은 상태로 전동 공구를 운반하거나 전동 공구에 전원을 공급하면 사고가 발생합니다.
- d) **전동 공구를 켜기 전에 모든 조정 키 또는 렌치를 제거하십시오.** 전동 공구의 회전 부품에 렌치나 키가 부착되어 있으면 부상을 당할 수 있습니다.
- e) **무리하게 팔을 뻗지 마십시오. 항상 올바른 자세로 서서 균형을 유지하십시오.** 그러면

예기치 않은 상황에서 전동 공구에 대한 제어력이 향상됩니다.

- f) **적절한 작업복을 착용합니다. 헐렁한 옷이나 장신구를 착용하지 마십시오. 머리카락, 옷 및 장갑이 움직이는 부품에 닿지 않도록 유의하십시오.** 헐렁한 옷, 장신구 또는 긴 머리카락이 움직이는 부품에 걸 수 있습니다.
 - g) **먼지 배출 및 집진 시설 연결을 위한 장치가 제공된 경우, 이를 장치가 연결되어 적절히 사용되고 있는지 반드시 확인하십시오.** 집진 장치를 사용하면 먼지와 관련된 위험을 줄일 수 있습니다.
- ## 4) 전동 공구 사용 및 관리
- a) **전동 공구에 무리한 힘을 가하지 마십시오. 해당 용도에 맞는 올바른 전동 공구를 사용하십시오.** 올바른 전동 공구를 사용해야 설계된 속도로 작업을 더욱 안전하고 정확하게 수행할 수 있습니다.
 - b) **켜지거나 꺼지지 않는 경우 전동 공구를 사용하지 마십시오.** 스위치로 제어되지 않는 전동 공구는 위험하며 수리해야 합니다.
 - c) **전동 공구를 조정하거나 액세서리를 변경하거나 보관하기 전에 전원 및/또는 배터리 팩에서 플러그를 빼십시오.** 이러한 예방적 안전 조치를 따라야 전동 공구가 갑자기 작동할 위험이 줄어듭니다.
 - d) **사용하지 않는 전동 공구는 어린이의 손이 닿지 않는 곳에 보관하고, 전동 공구나 본 지시 사항에 익숙하지 않은 사람이 전동 공구를 절대 사용하지 못하게 하십시오.** 전동 공구는 훈련을 받지 않은 사용자가 다루면 위험합니다.
 - e) **전동 공구 유지 보수. 움직이는 부품의 잘못된 정렬이나 바인딩, 부품 파손 및 기타 전동 공구의 작동에 영향을 미칠 수 있는 기타 모든 상태를 확인하십시오.** 손상된 부분이 있는 경우 사용하기 전에 전동 공구를 수리하십시오. 많은 사고는 전동 공구를 제대로 유지 보수하지 않아 발생합니다.
 - f) **절단 공구를 예리하고 깨끗한 상태로 유지하십시오.** 절단식 가장자리를 예리하게 잘 유지하면 절단기를 사용할 때 바인딩이 적고 다루기가 용이합니다.
 - g) **작업 환경과 수행할 작업을 고려하여, 본 지시 사항에 따라 전동 공구, 액세서리 및 톨 비트 등을 사용하십시오.** 본 사용 설명서의 내용과 다른 용도로 전동 공구를 사용하면 위험한 상황이 발생할 수 있습니다.
- ## 5) 정비
- a) **자격을 갖춘 기술자가 동일 교체 부품을 사용하여 정비 작업을 수행해야 합니다.** 그래야 전동 공구의 안전이 보장됩니다.

로타리 햄머에 특정하게 적용되는 추가 안전 규칙

- **귀 보호 장구를 착용하십시오.** 소음에 노출되면 청력이 손상될 수 있습니다.
- **공구와 함께 제공되는 사이드 핸들을 사용하십시오.** 제어력을 잃으면 신체 부상을 당할 수 있습니다.
- **절삭 공구가 숨겨진 배선 또는 자체 코드에 접촉할 수 있는 작업을 수행할 때는 절연된 부분으로 전동 공구를 잡으십시오.** "전류가 흐르는" 전선과 접촉하면 공구의 노출된 금속 부분에 "전류가 흘러" 작업자가 감전될 수 있습니다.
- **클램프 또는 다른 적절한 방식을 이용하여 안정된 작업대에 작업 공구들을 고정 및 지지하십시오.** 작업물을 손으로 잡거나 몸에 지지하는 행동은 불안정하며, 제어력을 잃을 수 있습니다.
- **안전 고글 또는 기타 눈 보호 장구를 착용하십시오.** 햄머 작업 시 파편이 날아갈 수 있습니다. 파편이 날아가 눈이 영구적으로 손상될 수 있습니다. 먼지가 발생하는 용도에 사용할 때는 마스크 또는 방독 마스크를 착용하십시오. 대부분의 경우에 귀 보호 장구가 필요할 수 있습니다.
- **항상 공구를 단단히 잡으십시오.** 공구를 양 손으로 잡지 않고 이 공구를 작동하려고 시도하지 마십시오. 항상 사이드 핸들을 사용하는 것이 좋습니다. 한 손으로 이 공구를 사용하면 제어력을 잃을 수 있습니다. 강철봉과 같은 단단한 재질을 뚫는 것 또한 위험할 수 있습니다. 사용하기 전에 사이드 핸들을 단단히 조이십시오.
- **본 공구를 장시간 사용하지 마십시오.** 햄머 작동으로 인한 진동은 손과 팔에 유해할 수 있습니다. 장갑을 사용하여 추가 쿠션을 제공하고 종종 휴식을 취하여 진동에 의한 노출을 제한하십시오.
- **직접 비트를 재조정하지 마십시오.** 치질 재조정은 공인 전문가가 수행하여야 합니다. 치질을 잘못 재조정하면 부상을 입을 수 있습니다.
- **공구를 작동하거나 비트를 교환할 때는 장갑을 착용하십시오.** 공구가 작동되는 동안 접근하기 쉬운 공구와 비트의 금속 부품은 매우 뜨거울 수 있습니다. 깨진 재료의 조그마한 부분이 맨손에 상처를 낼 수 있습니다.
- **비트가 완전히 멈출 때까지 공구를 내려 놓지 마십시오.** 비트가 움직이면 부상을 입을 수 있습니다.
- **꽂 끼인 비트를 제거하기 위해 햄머로 치지**

마십시오. 금속이나 금속 조각의 파편이 이동하여 부상을 입힐 수 있습니다.

- **약간 마모된 치질은 연마하여 다시 날카롭게 만들 수 있습니다.**
- **전원 코드는 회전하는 비트 가까이에서 두지 마십시오.** 신체 부위에 코드를 감싸지 마십시오. 방적 비트 주위로 감싼 전기 코드가 신체 부상을 초래하여 제어력을 잃을 수 있습니다.

기타 발생 가능한 위험

로타리 햄머 사용 시 다음과 같은 위험이 따를 수 있습니다.

- 공구의 회전부를 만지거나 가열된 부위에 닿아 발생하는 부상.

관련된 안전 규정을 준수하고 안전 장치를 사용한다고 해도 특정한 위험은 피할 수 없습니다. 이러한 위험은 다음과 같습니다.

- 청력 손상.
- 액세서리 교체 시 손가락이 눌리는 위험
- 콘크리트 및/또는 석재 작업 시 발생하는 먼지를 호흡하여 유발되는 건강 위해성

공구에 표시된 마크

공구에는 다음과 같은 그림이 있습니다.



사용하기 전에 사용 설명서를 숙독하십시오.



귀 보호 장구를 착용하십시오.



보안경을 착용하십시오.

날짜 코드 위치(그림 1)

날짜 코드(0)에는 제조년도가 포함되어 케이스에 인쇄되어 있습니다.

예:

2014 XX XX

제조년도

포장 내용물

포장에는 다음 내용물이 들어 있습니다.

- 고성능 로타리 햄머드릴 1개
- 사이드 핸들 1개
- 깊이 조절봉 1개
- 공구박스 1개

키레스 칩(D25144) 1개

사용 설명서 1개

- 운반 중에 발생할 수 있는 공구, 부품 또는 액세서리의 손상 여부를 확인하십시오.
- 작동 전에 시간을 내어 본 사용 설명서를 읽고 숙지하십시오.

설명(그림 1, 5, 8)



경고: 전동 공구 또는 전동 공구의 어떤 부품도 절대 개조하지 마십시오. 제품이 파손되거나 신체 부상을 당할 수도 있습니다.

- 가변 속도 스위치
- 주 핸들
- 방향 전환 레버
- 모드 전환 레버
- 모드 전환레버 버튼
- SDS Plus 공구 홀더
- 깊이 조절봉
- 사이드 핸들
- 깊이 조절봉 버튼
- 슬리브
- 먼지막이 커버
- 날짜 코드
- 잠금 칼라(D25144)
- 키레스 칩(D25134/D25144)
- 잠금 버튼

용도

D25032 고성능 로타리 햄머는 전문 드릴, 햄머드릴 및 나사 조이기용으로 설계되었습니다. D25033, D25133 및 D25144 고성능 로타리 햄머는 전문 드릴, 햄머드릴, 나사 조이기 및 가벼운 파쇄 작업용으로 설계되었습니다.

습한 환경이나 가연성 액체 또는 가스가 있는 장소에서 사용하지 **마십시오**.

이 햄머드릴은 전문적인 전동 공구입니다. **어린이가 이 공구를 만지지** 않도록 하십시오. 경험이 없는 작업자가 이 공구를 사용할 때는 감독자의 지도가 필요합니다.

- **어린이 및 노약자.** 본 제품은 어린이나 노약자가 사용하도록 설계되지 않았습니니다. 이러한 사람이 사용할 때는 감독이 필요합니다.
- 본 제품은 안전 책임을 맡고 있는 사람이 감독을 하고 있지 않는 한 경험, 지식 또는 기술이 부족하고 신체적, 감각적 또는 정신적 능력이 미약한 사람(어린이 포함)이

사용하도록 고안된 것이 아닙니다. 이 제품과 함께 어린이만 혼자 두어서는 안됩니다.

토크 제한 클러치

모든 로타리 햄머드릴에는 토크 제한 클러치가 장착되어 있어서, 드릴 비트가 움직이지 않는 경우 작업자에 전송되는 최대 토크 반작용을 줄여줍니다. 이 기능 또한 전동 장치와 전기 모터가 꺼지지 않도록 방지합니다. 토크 제한 클러치는 공장 출고 시 설정되어 있으므로 조정할 수 없습니다.

전기 안전

전기 모터는 한 가지 전압에만 맞추어 설계되었습니다. 전원이 전동기 내임 플레이트에 기재된 전압과 일치하는지 항상 확인하십시오.



DEWALT 공구는 IEC 60745에 따라 이중 절연되어 있으므로, 접지선이 필요하지 않습니다.



경고: 115 V 기기는 1차 권선과 2차 권선 사이에 접지판이 있는 페일 셰이프 절연 변압기를 통해 작동되어야 합니다.

전원 코드가 손상된 경우에는 DEWALT 서비스 센터를 통해 특수 제작된 코드로 교체해야만 합니다.

연장 케이블 이용

연장 케이블이 필요할 경우 이 공구의 소비전력에 맞는 승인된 3 코어 연장 케이블을 사용하십시오 (기술 데이터 참조). 최소 도체 크기는 1.5 mm², 최대 길이는 30 m입니다.

케이블 릴을 사용할 때는 항상 케이블을 완전히 푸십시오.

조립 및 조정



경고: 액세서리를 설치 및 제거하기 전, 설정 상태를 조정하거나 변경하기 전, 또는 수리 시 부상의 위험을 줄이려면 장치를 끄고 전원으로부터의 연결을 차단하십시오. 트리거 스위치가 꺼짐 위치에 있는지 반드시 확인하십시오. 공구가 갑자기 작동하여 부상을 당할 수 있습니다.

작동 모드 선택 (그림 2)

다음과 같은 작동 모드에서 공구를 사용할 수 있습니다.



회전 드릴: 강철, 나무 및 플라스틱에서 나사를 조이거나 드릴 작업용



햄머드릴: 콘크리트 및 석재 드릴 작업 시. 비트 회전: 평평한 치출을 원하는

위치로 회전할 경우에만 사용하는 비 작동 위치.



햄머 작업만 해당(D25033, D25133, D25134, D25144): 가벼운 치핑, 치즐링 및 파쇄 용도. 이 모드에서는 꼭 끼인 드릴 비트를 풀기 위해 공구를 레버로 사용할 수도 있습니다.

1. 작동 모드를 선택하려면, 모드 전환레버 버튼(e)을 누르고 모드 전환 레버(d)를 필요한 모드의 기호를 가리킬 때까지 돌립니다.
2. 모드 전환 레버를 놓고 모드 전환 레버가 제자리에서 잠겼는지 확인합니다.



경고: 공구를 작동 중일 때는 작동 모드를 선택하지 마십시오.

치즐 위치 표시 (그림 2)

치즐은 다양한 위치로 표시하고 잠글 수 있습니다.

1. 모드 전환레버 버튼(e)을 누르고 모드 전환 레버(d)를 “비트 회전/햄머드릴링” 위치를 가리킬 때까지 돌립니다.
2. 치즐을 원하는 위치로 돌립니다.
3. 모드 전환 레버(d)를 “햄머링 위치로만” 설정합니다.
4. 치즐이 제자리에서 잠길 때까지 비틀어 돌립니다.

SDS Plus 액세서리 삽입 및 제거 (그림 3)

이 공구는 SDS Plus 액세서리를 사용합니다 (SDS Plus 비트 샹크의 단면도는 그림 3의 삽도를 참조하십시오). 전문 액세서리만 사용하는 것이 좋습니다.

1. 비트 샹크를 닦고 그리스를 바릅니다.
2. 비트 샹크를 SDS Plus 공구 홀더(f)에 끼웁니다.
3. 비트 아래를 밀어 슬롯에 맞을 때까지 약간 돌립니다.
4. 비트를 잡아 당겨 제대로 잠겼는지 확인하십시오. 햄머 기능을 사용하려면 공구 홀더에 잠겨 있을 때 비트를 축 방향으로 몇 센티미터 이동할 수 있어야 합니다.
5. 비트를 제거하려면 공구 홀더 슬리브(g)를 약간 뒤로 당겨 뺍니다.



경고: 액세서리를 교환할 때는 항상 장갑을 착용하십시오. 작동 중에는 공구와 액세서리의 노출된 금속 부분이 매우 뜨거울 수 있습니다.

사이드 핸들 장착(그림 4)

사이드 핸들(h)은 오른손 및 왼손 사용자 모두에 맞게 장착할 수 있습니다.



경고: 사이드 핸들을 제대로 조립하지 않은 상태에서 공구를 사용하지 마십시오.

1. 사이드 핸들을 풉니다.
2. **오른손잡이 사용자인 경우:** 사이드 핸들 클램프를 공구 홀더 뒤의 칼라 위로 밀고 왼쪽에서 조종합니다.
왼손잡이 사용자인 경우: 사이드 핸들 클램프를 공구 홀더 뒤의 칼라 위로 밀고 오른쪽에서 조종합니다.
3. 사이드 핸들을 원하는 위치로 돌리고 핸들을 조입니다.

드릴 깊이 설정(그림 5)

1. 위에서 설명한 대로 필요한 드릴 비트를 삽입합니다.
2. 깊이 조절봉 버튼(i)을 누르고 그대로 유지합니다.
3. 깊이 조절봉(g)을 깊이 조절봉 클램프의 구멍을 통해 장착합니다.
4. 그림과 같이 드릴 깊이를 조절합니다.
5. 깊이 조절봉 클램프를 놓습니다.

후진 레버(그림 6)

방향전환 레버(c)는 드릴 전용 기능에서 패스너 또는 걸린 비트를 빼기 위해 햄머의 회전을 후진시키는 데 사용됩니다.



주의: 걸린 비트를 제거하기 위해 후진할 때는 강력한 반작용 토크에 대해 준비하십시오.

햄머를 후진하려면, 햄머를 고고 방향 전환 레버(c)를 뒤쪽을 향하고 있는 노란색 화살표에 맞춥니다.

진진 작동을 위해 레버의 위치를 설정하려면, 햄머를 고고 방향 전환 레버(c)를 앞쪽을 향하고 있는 노란색 화살표에 맞춥니다.

척 어댑터와 척 장착

선택 액세서리
D25032, D25033, D25133

1. 척을 척 어댑터의 나사산 끝에서 나사로 집니다.
2. 표준 SDS Plus 비트처럼 연결된 척과 어댑터를 공구에 삽입합니다.
3. 척을 분리하려면, 표준 SDS Plus 비트를 분리하는 방식으로 진행합니다.



경고: 햄머 드릴 모드에서 표준 척을 사용하지 마십시오.

SDS Plus 공구 홀더를 키레스 척으로 교체하기(그림 7)

D25134, D25144

1. 잠금 칼라(m)를 잠금 해제 위치로 돌린 뒤 SDS Plus 공구 홀더(h)를 당겨 분리합니다.
2. 스피들 쪽으로 키레스 척(n)을 누른 뒤 잠금 칼라(m)를 잠금 위치로 돌립니다.

키레스 척을 SDS Plus 공구 홀더로 교체하려면 먼저 공구 홀더 분리 방법과 동일한 방법으로 키레스 척을 분리합니다. 그런 다음 공구 홀더를 키레스 척을 끼웠던 동일한 방식으로 끼우고, 잠금 칼라가 잠금 위치로 돌아갔는지 확인합니다.



경고: 햄머 드릴 모드에서 표준 척을 사용하지 마십시오.

먼지막이 커버 교체(그림 1)

먼지막이 커버(k)는 기계 장치로의 먼지 진입을 막아줍니다. 찢어진 먼지막이 커버는 즉시 교체하십시오.

1. 공구 홀더 록킹 슬리브(l)를 뒤로 당기고 먼지막이 커버(k)를 빼냅니다.
2. 새 먼지막이 커버를 장착합니다.
3. 공구 홀더 록킹 슬리브를 놓습니다.

조작

사용 지침



경고:

- 안전 지시 사항과 해당 규정을 항상 준수하십시오.
- 파이프 구조 및 배선 위치를 알아 두십시오.
- 공구에 적당한 압력만 가하십시오 (약 5kg). 과도한 힘을 가하면 드릴 속도가 올라가지 않고 공구 성능이 감소하고 공구 수명이 단축될 수 있습니다.
- 먼지막이 커버가 손상되지 않도록 하려면 너무 깊게 드릴하거나 작동하지 마십시오.
- 항상 공구를 양손으로 단단히 잡고 안정된 자세를 취하십시오(그림 9). 항상 사이드 핸들을 올바르게 장착한 상태에서 공구를 작동하십시오.

올바른 손의 위치(그림 8)



경고: 심각한 신체 부상의 위험을 줄이려면 **항상** 그림과 같이 올바르게 손을 위치하십시오.



경고: 심각한 신체 부상의 위험을 줄이려면, **항상** 급작스러운 반동을 예상하고 확실하게 잡으십시오.

손 위치는 한 손을 주 핸들(b) 위에 놓고 다른 손을 사이드 핸들(h) 위에 놓는 것이 바람직합니다.

전원 켜기/끄기(그림 1)

1. 공구를 작동하려면 가변 속도 스위치(a)를 누릅니다. 가변 속도 스위치를 누르는 힘에 따라 공구 속도가 결정됩니다.
2. 연속 작동을 위해, 가변 속도 스위치를 계속 누르고 있습니다.
3. 공구를 멈추려면 스위치를 풀어 줍니다.

햄머드릴(그림 1)

슬리드 비트로 드릴

1. 모드 전환레버 버튼(e)을 누르고 있다가 모드 전환 레버(d)를 햄머드릴 위치로 설정합니다.
2. 해당 드릴 비트를 삽입합니다.

참고: 최상의 결과를 위해 고품질의 카바이드 팁 장착 비트를 사용하십시오.

3. 필요에 따라 사이드 핸들(h)을 조정합니다.
4. 필요할 경우, 드릴 깊이를 설정합니다.
5. 드릴 작업을 할 구멍의 지점을 표시합니다.
6. 드릴 비트를 그 지점에 놓고 공구의 전원 스위치를 켵니다.
7. 작업이 끝나면 플러그를 빼기 전에 항상 공구 스위치를 꺼진 위치로 놓습니다.

코어 비트로 드릴

1. 모드 전환레버 버튼(e)을 누르고 있다가 모드 전환 레버(d)를 햄머드릴 위치로 설정합니다.
2. 필요에 따라 사이드 핸들(h)을 조정합니다.
3. 해당 코어 비트를 끼웁니다.
4. 센터드릴을 코어 비트에 조립합니다.
5. 센터드릴을 그 지점에 놓고 on/off 스위치(a)를 누릅니다. 중심이 콘크리트 약 1 cm까지 뚫고 들어갈 때까지 드릴합니다.
6. 드릴 작업을 멈추고 센터드릴을 제거합니다. 코어 비트를 다시 구멍에 넣고 드릴을 계속합니다.
7. 코어 비트 깊이보다 더 두껍게 구조물을 드릴 할 때, 콘크리트의 둥근 원통 또는 비트 안쪽의 코어를 일정한 간격으로 절단합니다. 구멍 주변에서 콘크리트가 이탈하지 않도록 하려면, 먼저 구조물을 통해 센터 드릴의 직경으로 구멍을 드릴합니다. 그런 다음 각 면에서 중간 지점까지 중심 구멍을 뚫습니다.

- 작업이 끝나면 플러그를 빼기 전에 항상 공구 스위치를 꺼짐 위치로 놓습니다.

회전 드릴(그림. 1)

- 모드 전환레버 버튼(e)을 누르고 있다가 모드 전환 레버(d)를 “로터리 드릴링” 위치로 설정합니다.
- 공구에 따라 다음 지침 중 하나를 따르십시오.
 - **D25032, D25033, D25133:** 척 어댑터/척 어셈블리를 장착합니다.
 - **D25134, D25144:** SDS Plus 공구 홀더를 키레스 척으로 교체합니다.
- 위의 설명에 따라 햄머드릴을 진행합니다.



경고: 햄머 드릴 모드에서 표준 척을 사용하지 마십시오.

나사 조이기(그림 1)

- 모드 전환레버 버튼(e)을 누르고 있다가 모드 전환 레버(d)를 로터리 드릴링 위치로 설정합니다.
- 회전 방향을 선택합니다.
- 공구에 따라 다음 지침 중 하나를 따르십시오.
 - **D25032, D25033, D25133:** 6각 드라이버 비트와 함께 사용하려면 특수 SDS Plus 나사 조이기 어댑터를 삽입합니다.
 - **D25134:** SDS Plus 공구 홀더를 키레스 척으로 교체합니다.
- 해당 드라이버 비트를 삽입합니다. 일자형 나사를 돌릴 때는 항상 파인더 슬리브와 함께 비트를 사용합니다.
- 나사 머리가 손상되지 않도록 하려면 가변 속도 스위치(a)를 살짝 누릅니다. 후진(LH) 회전에서는 나사를 쉽게 제거할 수 있도록 공구 속도가 자동 감속됩니다.
- 나사가 제조 공정에 있는 제품과 맞으면 가변 속도 스위치를 놓아서 나사 머리가 제조 공정에 있는 제품을 관통하지 않도록 합니다.

치핑 및 치즐링(그림 1)

D25033, D25133, D25134, D25144

- 모드 전환레버 버튼(e)을 누르고 있다가 모드 전환 레버(d)를 “햄머링 위치로만” 설정합니다.
- 해당 치즐을 삽입하고 위치에 고정될 수 있도록 손으로 돌립니다.
- 필요에 따라 사이드 핸들(h)을 조정합니다.

- 공구의 전원 스위치를 켜고 작업을 시작합니다.
- 작업이 끝나면 플러그를 빼기 전에 항상 공구 스위치를 꺼짐 위치로 놓습니다.



경고:

- 쉽게 타거나 폭발성이 있는 액체(벤젠, 알코올 등)를 섞거나 주입하는 데 이 공구를 사용하지 마십시오.
- 따라서 라벨에 표시된 인화성 액체를 혼합하거나 섞지 마십시오.

유지 보수

DEWALT 전동 공구는 최소한의 유지 보수로 장기간에 걸쳐 작업이 가능하도록 설계되어 있습니다. 만족스러운 연속 작동은 적절한 공구 관리와 정기적인 청소에 따라 그 성능이 달라질 수 있습니다.



경고: 액세서리를 설치 및 제거하기 전, 설정 상태를 조정하거나 변경하기 전, 또는 수리 시 부상의 위험을 줄이려면 장치를 끄고 전원으로부터의 연결을 차단하십시오. 트리거 스위치가 꺼짐 위치에 있는지 반드시 확인하십시오. 공구가 갑자기 작동하여 부상을 당할 수 있습니다.

- 본 공구는 사용자가 수리할 수 없습니다. 약 40 시간 사용 후에는 공인 DEWALT 수리 대리점에 수리를 의뢰하십시오. 이 시간 이전에 문제가 발생할 경우 공인 DEWALT 수리 대리점에 문의하십시오.
- 본 공구는 카본 브러시가 마모되면 자동으로 전원이 꺼집니다.

모터 브러시

DEWALT는 브러시가 마모되면 드릴을 자동으로 중단시키는 첨단 브러시 시스템을 채택했습니다. 따라서 모터의 심각한 손상이 방지됩니다. 새 브러시 어셈블리를 교체할 때는 DEWALT 인증 서비스 센터를 이용할 수 있습니다. 항상 동일한 교체 부품을 사용하십시오.



윤활방법

전동 공구는 별도의 윤활 작업이 필요하지 않습니다.

사용하는 액세서리 및 부착물은 SDS Plus 장비 주변을 정기적으로 윤활해야 합니다.



청소



경고: 통풍구 속이나 주변에 먼지가 쌓여있는 것이 보이면 가능한 한 자주 건조한 공기를 이용하여 몸체에서 먼지를 불어내십시오. 이 절차를 수행할 때에는 승인된 눈 보호 장구 및 승인된 방진 마스크를 착용하십시오.



경고: 공구의 금속 이외 부품을 청소할 때는 용제 등의 강력한 화학약품을 절대 사용하지 마십시오. 그렇지 않으면 이러한 부분에 사용된 재료가 약해질 수 있습니다. 형겅에 물과 손한 비누를 적셔 닦아주십시오. 공구 내부에 액체를 넣거나 공구 부품을 액체에 담그는 행동은 절대 금품입니다.

선택 액세서리



경고: DEWALT에서 제공되지 않은 액세서리는 이 제품에 테스트되지 않았으므로, 그러한 액세서리를 이 공구와 함께 사용하면 위험할 수 있습니다. 신체 부상의 위험을 줄이려면 본 제품에 DEWALT 권장 액세서리만 사용해야 합니다.

다양한 종류의 SDS Plus 드릴 비트 및 치즐을 옵션으로 사용할 수 있습니다.

해당 액세서리에 대한 자세한 정보는 판매 대리점으로 문의하십시오.

환경 보호



분리 수거. 본 제품을 일반 가정용 쓰레기로 처리하면 안됩니다.

DEWALT 제품을 교체해야 하거나 더 이상 쓸모가 없어졌다고 판단될 때는 본 제품을 가정용 쓰레기와 함께 처리하지 마십시오. 이 제품은 분리 수거하십시오.



사용하던 제품과 포장을 분리 수거하면 자원을 재활용 및 재사용할 수 있습니다. 재활용 자원을 이용하면

환경 오염이 방지되고 고철 자원에 대한 수 있습니다.

지역에 따라 가정용 가전제품을 분리 수거하는 규정이 마련되어 있거나 새로운 제품을 구입할 때 판매점에서 폐기 방법을 알려줄 수 있습니다.

DEWALT는 사용이 끝난 DEWALT 제품을 수집하여 재활용하기 위한 시설을 운영하고 있습니다. 이 서비스를 활용하려면 당사가 폐제품 수거를 위임한 공인 수리 대리점에 제품을 반환해 주십시오.

본 사용 설명서에 기재된 연락처로 가까운 DEWALT 영업소에 연락하면 가까운 공인 수리 대리점 위치를 확인할 수 있습니다. 또는 다음 웹 사이트를 방문하여 DEWALT 수리 지점 목록과 A/S 및 연락처 등 자세한 정보를 찾아볼 수 있습니다 www.2helpU.com.

BOR PALU PUTAR UNTUK PEKERJAAN BERAT D25032, D25033, D25132, D25133, D25134, D25143, D25144

Selamat!

Anda telah memilih alat DEWALT. Pengalaman bertahun-tahun, pengembangan produk menyeluruh, dan inovasi menjadikan DEWALT salah satu rekan paling andal bagi para pengguna alat listrik profesional.

Data Teknis

		D25032	D25033	D25132	D25133	D25134	D25143	D25144
Voltase	V	220-240	220-240	220-240	220-240	220-240	220-240	220-240
Input daya	W	710	710	800	800	800	900	900
Kecepatan tanpa beban	min ⁻¹	0-1550	0-1550	0-1500	0-1500	0-1500	0-1450	0-1450
Ketukan tanpa beban per menit	bpm	0-5680	0-5680	0-5500	0-5500	0-5540	0-5350	0-5350
Daya tumbukan tunggal (NON EPTA)	J	2,1	2,1	2,9	2,9	3,0	3,2	3,2
Jarak pengeboran maksimum dalam baja/kayu/beton	mm	13/30/22	13/30/22	13/30/26	13/30/26	13/30/26	13/30/28	13/30/28
Posisi pahat		--	44	--	44	48	48	48
Kapasitas pengeboran inti dalam batu bata lunak	mm	50	50	50	50	65	65	65
Penahan alat		SDS Plus	SDS Plus	SDS Plus	SDS Plus	SDS Plus	SDS Plus	SDS Plus
Diameter batang bor	mm	43	43	43	43	54	54	54
Berat	kg	2,5	2,5	2,6	2,6	3,0	3,1	3,1

Definisi: Pedoman Keselamatan

Definisi berikut ini menjelaskan tingkat bahaya untuk setiap kata sinyal. Harap baca buku petunjuk dan perhatikan simbol-simbol ini.



BAHAYA: Mengindikasikan situasi berbahaya, yang jika tidak dihindari, **akan** mengakibatkan kematian atau cedera berat.



PERINGATAN: Mengindikasikan situasi berbahaya yang berpotensi terjadi, yang jika tidak dihindari, **dapat** mengakibatkan kematian atau cedera berat.



PERHATIAN: Mengindikasikan situasi berbahaya yang berpotensi terjadi, yang jika tidak dihindari, **dapat** mengakibatkan **cedera ringan atau sedang**.

PEMBERITAHUAN: Mengindikasikan suatu praktik yang **tidak berhubungan dengan cedera diri**, yang jika tidak dihindari, **mungkin** mengakibatkan **kerusakan barang**.



Menunjukkan risiko sengatan listrik.



Menunjukkan risiko kebakaran.



PERINGATAN: Untuk mengurangi risiko cedera, baca buku petunjuk manual.

Peringatan Keselamatan Alat Listrik Umum



PERINGATAN! Baca semua peringatan dan petunjuk keselamatan Kelalaian dalam mengikuti peringatan dan petunjuk tersebut dapat mengakibatkan sengatan listrik, kebakaran dan/atau cedera serius.

SIMPAN SELURUH PERINGATAN DAN PETUNJUK UNTUK REFERENSI DI MASA MENDATANG

Istilah "alat listrik" dalam peringatan merujuk pada alat listrik beroperasi listrik induk (berkabel) atau alat listrik beroperasi baterai (nirkabel).

1) KESELAMATAN AREA KERJA

- Jaga agar area kerja tetap bersih dan terang.** Area yang berantakan atau gelap berpotensi mengakibatkan kecelakaan.
- Jangan mengoperasikan alat listrik di lingkungan yang mudah menimbulkan bahaya ledakan, seperti di tempat yang terdapat cairan, gas, atau debu yang mudah terbakar.** Alat listrik menimbulkan percikan api yang dapat menyulut debu atau asap.

- c) **Jauhkan anak-anak dan orang-orang di sekitar Anda saat mengoperasikan alat listrik.** Gangguan dapat menyebabkan Anda kehilangan kendali.

2) KESELAMATAN KELISTRIKAN

- a) **Steker alat listrik harus sesuai dengan stopkontak. Jangan pernah memodifikasi steker dengan cara apa pun. Jangan gunakan steker adaptor apa pun dengan alat listrik yang dibumikan (grounded).** Steker yang tidak dimodifikasi dan stopkontak yang sesuai akan mengurangi risiko sengatan listrik.
- b) **Hindari kontak badan dengan permukaan yang dibumikan (grounded), seperti pipa, radiator, kompor, dan kulkas.** Risiko sengatan listrik dapat meningkat jika tubuh Anda bersentuhan dengan permukaan yang dibumikan.
- c) **Jangan sampai alat listrik ini terkena hujan atau terpapar ke kondisi yang basah.** Air yang masuk ke alat listrik akan meningkatkan risiko sengatan listrik.
- d) **Jangan menyalahgunakan kabel. Jangan sekali-kali menggunakan kabel untuk membawa, menarik, atau mencabut alat listrik. Jauhkan kabel dari panas, minyak, tepi tajam, atau komponen yang bergerak.** Kabel yang rusak atau terbelit meningkatkan risiko sengatan listrik.
- e) **Bila mengoperasikan alat listrik di luar ruangan, gunakan kabel ekstensi yang sesuai untuk penggunaan di luar ruangan.** Menggunakan kabel yang sesuai untuk penggunaan di luar ruangan akan mengurangi risiko sengatan listrik.
- f) **Jika penggunaan alat listrik di lokasi yang lembap tidak dapat dihindari, gunakan suplai yang terlindung oleh perangkat arus sisa (RCD).** Penggunaan RCD akan mengurangi risiko sengatan listrik.

3) KESELAMATAN DIRI

- a) **Tetap waspada; perhatikan apa yang Anda kerjakan dan gunakan akal sehat saat mengoperasikan alat listrik. Jangan mengoperasikan alat listrik bila Anda sedang lelah, atau berada di bawah pengaruh obat, alkohol, atau pengobatan.** Kelengahan sesaat saja saat mengoperasikan alat listrik dapat mengakibatkan cedera diri serius.
- b) **Gunakan peralatan pelindung diri. Selalu kenakan alat pelindung mata.** Peralatan pelindung, seperti masker debu, sepatu keselamatan antiselip, helm proyek, atau pelindung telinga yang digunakan untuk kondisi yang sesuai akan mengurangi risiko cedera diri.
- c) **Hindarkan menyalakan alat tanpa disengaja. Pastikan bahwa sakelar sudah dalam posisi mati sebelum menghubungkannya ke sumber listrik dan/atau baterai, mengambil, atau**

membawa alat. Membawa alat listrik dengan jari Anda masih menempel pada tombol atau menghidupkan alat listrik yang tombolnya masih menyala akan berpotensi mengakibatkan kecelakaan.

- d) **Lepaskan semua kunci setelan atau kunci pas sebelum menghidupkan alat listrik.** Kunci pas atau kunci yang dibiarkan terpasang pada komponen alat listrik yang berputar dapat mengakibatkan cedera diri.
- e) **Jangan melampaui batas. Selalu jaga pijakan dan keseimbangan yang baik.** Hal ini memungkinkan Anda untuk mengendalikan alat listrik secara lebih baik dalam situasi yang tidak terduga.
- f) **Kenakan pakaian yang sesuai. Jangan mengenakan pakaian longgar atau perhiasan. Jauhkan rambut, pakaian dan sarung tangan dari komponen yang bergerak.** Pakaian yang longgar, perhiasan, atau rambut panjang dapat tersangkut pada komponen yang bergerak.
- g) **Jika disediakan perangkat untuk sambungan fasilitas pengeluaran dan pengumpulan debu, pastikan perangkat ini dihubungkan dan digunakan dengan sesuai.** Penggunaan alat pengumpul debu dapat mengurangi bahaya yang ditimbulkan oleh debu.

4) PENGGUNAAN DAN PERAWATAN ALAT LISTRIK

- a) **Jangan menggunakan alat listrik dengan paksa. Gunakan alat listrik yang sesuai untuk aplikasi Anda.** Alat listrik yang tepat akan bekerja dengan lebih baik dan lebih aman pada tingkat kelajuan yang telah dirancang untuk alat itu.
- b) **Jangan gunakan alat listrik ini jika tombol tidak dapat menghidupkan dan mematikan alat.** Alat listrik apa pun yang tidak dapat dikendalikan dengan tombolnya adalah berbahaya dan harus diperbaiki.
- c) **Lepaskan stopkontak dari sumber listrik dan/ atau baterai dari alat listrik sebelum melakukan penyetelan apa pun, mengganti aksesori, atau menyimpan alat listrik.** Tindakan pencegahan untuk keselamatan seperti itu akan mengurangi risiko menyalakan alat listrik secara tidak disengaja.
- d) **Simpan alat listrik yang tidak digunakan jauh dari jangkauan anak-anak, dan jangan membolehkan orang yang tidak memahami alat listrik atau petunjuk ini untuk mengoperasikannya.** Alat listrik bisa berbahaya bila digunakan oleh pengguna yang tidak terlatih.
- e) **Rawat alat listrik. Lakukan pemeriksaan untuk mengetahui apakah ada komponen bergerak yang tidak sejajar atau bengkok, komponen yang patah, dan kondisi lainnya yang dapat mempengaruhi pengoperasian alat listrik. Jika rusak, perbaiki alat listrik sebelum digunakan.**

Banyak terjadi kecelakaan akibat alat listrik yang tidak terawat dengan baik.

- f) **Jaga ketajaman dan kebersihan alat pemotong.** Alat pemotong yang terawat dengan baik dengan mata potong yang tajam akan kecil kemungkinannya untuk macet serta lebih mudah untuk dikendalikan.
- g) **Gunakan alat listrik, aksesoris, dan mata bor, dsb., sesuai petunjuk ini, dengan memperhitungkan persyaratan kerja dan jenis pekerjaan yang harus dilakukan.** Penggunaan alat listrik untuk pengoperasian yang tidak sesuai dengan tujuan penggunaan dapat mengakibatkan situasi yang berbahaya.

5) **SERVIS**

- a) **Alat listrik sebaiknya diservis oleh teknisi yang mahir dan hanya menggunakan komponen pengganti yang persis sama.** Hal ini akan membuat keamanan alat listrik selalu terjaga.

Aturan Keselamatan Tambahan Khusus untuk Palu Putar

- **Gunakan pelindung telinga.** Paparan terhadap kebisingan dapat menyebabkan kehilangan pendengaran.
- **Gunakan pegangan tambahan yang disertakan dengan alat ini.** Lepasnya kendali dapat menimbulkan cedera diri.
- **Pegang alat listrik pada permukaan pegangan berisolasi saat melakukan operasi di mana alat pemotong dapat mengenai kabel yang tersembunyi atau kabelnya sendiri.** Sentuhan dengan kabel bertegangan listrik dapat mengalirkan arus listrik pada komponen logam dari alat listrik dan menyebabkan sengatan listrik pada pengguna.
- **Gunakan jepitan atau cara praktis lain untuk mengamankan dan menyangga benda yang dikerjakan pada landasan yang stabil.** Memegang benda yang dikerjakan dengan tangan atau disandarkan pada tubuh Anda akan membuatnya tidak stabil dan dapat mengakibatkan hilangnya kendali.
- **Gunakan kacamata pengaman atau pelindung mata lainnya.** Operasi penempatan dapat mengakibatkan serpihan beterbangan. Partikel-partikel yang beterbangan dapat mengakibatkan cedera mata permanen. Gunakan masker atau respirator debu untuk aplikasi yang menimbulkan debu. Pelindung telinga mungkin dibutuhkan untuk sebagian besar aplikasi.
- **Selalu pegang alat dengan kencang. Jangan coba mengoperasikan alat ini tanpa memegangnya dengan kedua tangan.** Anda dianjurkan untuk selalu menggunakan pegangan samping. Pengoperasian alat ini dengan satu tangan akan mengakibatkan hilangnya

kendali. Penembusan atau penempatan material keras semacam tulang beton juga dapat berbahaya. Kencangkan betul pegangan samping sebelum menggunakan alat.

- **Jangan operasikan alat ini untuk jangka waktu yang lama.** Getaran akibat kerja palu dapat mencederai tangan dan lengan Anda. Gunakan sarung tangan sebagai bantalan tambahan dan batasi paparan dengan cara sering melakukan pengistirahatan.
- **Jangan merekondisi mata bor sendiri.** Rekondisi alat pahat harus dikerjakan oleh seorang spesialis resmi. Alat pahat yang tidak direkondisi dengan benar dapat mengakibatkan cedera.
- **Gunakan sarung tangan saat mengoperasikan alat atau mengganti mata bor.** Komponen logam alat dan mata bor yang dapat disentuh bisa menjadi sangat panas selama pengoperasian. Pecahan-pecahan kecil material yang hancur dapat mencederai tangan telanjang.
- **Jangan pernah meletakkan alat sampai mata bor sudah berhenti total.** Mata bor yang masih bergerak dapat mengakibatkan cedera.
- **Jangan pukul mata bor yang macet dengan palu untuk melepaskannya.** Pecahan logam atau serpihan material dapat terlepas dan mengakibatkan cedera.
- **Alat pahat yang agak tumpul dapat ditajamkan ulang dengan gerinda.**
- **Jauhkan kabel daya dari mata bor yang berputar. Jangan belitkan kabel pada anggota tubuh Anda.** Kabel listrik yang membelit mata bor yang berputar dapat mengakibatkan cedera diri dan hilangnya kendali.

Risiko-risiko lain

Risiko-risiko ini rentan terjadi dalam penggunaan palu putar:

- Cedera akibat menyentuh komponen alat yang berputar atau bersuhu panas

Sekalipun peraturan keselamatan terkait sudah diterapkan dan peralatan pengaman sudah digunakan, risiko-risiko lain tertentu tidak dapat dihindari. Antara lain:

- Kerusakan indera pendengaran.
- Risiko terjepitnya jari saat mengganti aksesoris.
- Bahaya kesehatan yang disebabkan karena menghirup debu saat mengerjakan beton dan/atau batu.

Tanda pada Alat

Gambar-gambar berikut ini tertera pada alat:



Baca buku petunjuk sebelum digunakan.



Gunakan pelindung telinga.



Gunakan pelindung mata.

POSISI KODE TANGGAL (GBR. 1)

Kode Tanggal (l), yang juga mencantumkan tahun produksi, dicetak pada kerangka alat.

Contoh:

2014 XX XX

Tahun Pembuatan

Isi Kemasan

Kemasan memuat:

- 1 Bor palu putar untuk pekerjaan berat
- 1 Pegangan samping
- 1 Batang pengaturan Kedalaman
- 1 Kotak perlengkapan
- 1 Gagang gerak tanpa tombol (D25144)
- 1 Buku petunjuk
 - Periksa kemungkinan adanya kerusakan pada alat, komponen, atau aksesori yang bisa jadi terjadi selama transportasi.
 - Ambil waktu untuk membaca seluruh isi buku petunjuk ini dan memahaminya sebelum pengoperasian.

Penjelasan (gbr. 1, 5, 8)



PERINGATAN: Jangan pernah memodifikasi alat listrik atau komponennya. Ini dapat mengakibatkan kerusakan atau cedera pribadi.

- a. Sakelar kecepatan variabel
- b. Pegangan utama
- c. Tuas Maju/Mundur
- d. Pilih mode
- e. Tombol pilih mode
- f. Penahan alat SDS Plus
- g. Batang pengaturan kedalaman
- h. Pegangan samping
- i. Tombol batang kedalaman
- j. Lengan
- k. Penutup debu
- l. Kode tanggal
- m. Batang pengunci (D25144)

- n. Gagang gerak tanpa tombol (D25134/D25144)
- o. Tombol Pengunci

TUJUAN PENGGUNAAN

Palu putar untuk tugas berat D25032 ini dirancang untuk pengeboran dan pengeboran tempa profesional, dan pengeboran. Palu putar untuk tugas berat D25033, D25133, dan D25144 ini dirancang untuk pengeboran profesional, pengeboran tempa, pengobengan, dan pemotongan ringan.

JANGAN gunakan dalam kondisi basah atau di dekat cairan maupun gas yang mudah terbakar.

Bor palu ini merupakan alat listrik profesional. **JANGAN** biarkan anak-anak bersentuhan dengan alat ini. Dibutuhkan pengawasan bila alat ini digunakan oleh operator yang belum berpengalaman.

- **Anak-anak dan orang lemah.** Peralatan ini tidak ditujukan untuk digunakan oleh anak-anak atau orang yang lemah tanpa adanya pengawasan.
- Produk ini tidak ditujukan untuk penggunaan oleh orang (termasuk anak-anak) yang menderita kekurangan kemampuan fisik, sensorik, atau mental; kurang pengalaman, pengetahuan, atau keahlian, kecuali apabila mereka diawasi oleh orang yang bertanggung jawab atas keselamatan mereka. Jangan pernah meninggalkan anak-anak sendirian dengan produk ini.

Kopling Pembatas Torsi

Semua bor palu putar dilengkapi kopling pembatas torsi yang mengurangi reaksi torsi maksimum yang ditransmisikan ke operator jika mata bor mengalami macet. Fitur ini juga mencegah motor roda gigi dan listrik macet. Kopling pembatas torsi telah disetel sesuai standar pabrik dan tidak dapat disesuaikan.

Keselamatan Kelistrikan

Motor listrik dirancang hanya untuk satu voltase. Selalu periksa apakah catu daya sesuai dengan nilai tegangan yang tercantum pada papan nilai.



Pengisi daya DEWALT Anda berisolasi ganda sesuai dengan IEC 60745; itu sebabnya kabel arde tidak diperlukan.



PERINGATAN: Unit 115 V harus dioperasikan melalui trafo pengisolasi bebas-gagal dengan tabir bumi antara lilitan primer dan sekunder.

Bila kabel suplai rusak, harus diganti dengan kabel khusus yang disediakan oleh organisasi layanan DEWALT.

Menggunakan Kabel Ekstensi

Jika kabel ekstensi diperlukan, gunakan kabel ekstensi 3 inti yang disetujui dan sesuai untuk input daya alat ini (lihat data teknis). Ukuran konduktor minimum adalah 1,5 mm²; panjang maksimum adalah 30 m.

Bila menggunakan gulungan kabel, selalu ulur kabel sepenuhnya.

PERAKITAN DAN PENYESUAIAN



PERINGATAN: Untuk mengurangi risiko cedera, matikan unit dan lepas sambungan mesin dari sumber listrik sebelum memasang dan melepas aksesoris, sebelum menyesuaikan atau mengubah pengaturan, maupun saat melakukan perbaikan. Pastikan sakelar pemacu dalam posisi OFF. Alat yang mendadak menyala dapat mengakibatkan cedera.

Memilih Mode Operasi (gbr. 2)

Alat dapat digunakan dalam tiga mode operasi berikut:



Pengeboran putar: untuk pengeboran dan pengeboran baja, kayu, dan plastik



Pengeboran tempa: untuk pengeboran beton dan tembok.

Rotasi mata bor: posisi tidak bekerja yang digunakan hanya untuk memutar pahat datar ke posisi yang diinginkan



Penempaan saja (D25033, D25133, D25134, D25144): untuk pemotongan, pemahatan, dan pembongkaran ringan. Dalam mode ini, alat juga dapat digunakan sebagai tuas untuk mengatasi mata bor yang macet.

1. Untuk memilih mode operasi, tekan tombol pengaman mode (e) dan putar sakelar pemilih mode (d) sampai menunjuk ke simbol mode yang diinginkan.
2. Lepaskan tombol pemilih mode dan pastikan sakelar pemilih mode terkunci di tempatnya.



PERINGATAN: Jangan memilih modus operasi bila alat sedang dijalankan.

Menyusun Posisi Pahat (gbr. 2)

Pahat dapat disusun dan dikunci ke dalam posisi yang berbeda.

1. Tekan tombol pemilih mode (e) dan putar sakelar pemilih mode (d) sampai menunjuk ke posisi "rotasi mata bor/pengeboran tempa".

2. Putar pahat ke posisi yang diinginkan.
3. Setel sakelar pemilih mode (d) ke posisi "penempaan saja".
4. Putar pahat sampai terkunci di posisinya.

Memasukkan dan Melepaskan Aksesoris SDS Plus (gbr. 3)

Alat ini menggunakan aksesoris SDS Plus (lihat lampiran di gbr. 3 untuk lintas bagian gagang bor SDS Plus).

Kami sarankan agar Anda hanya menggunakan aksesoris profesional.

1. Bersihkan dan minyaki gagang mata bor.
2. Masukkan batang pahat ke dalam penahan alat SDS Plus (f).
3. Tekan mata bor ke bawah dan putar perlahan sampai pas pada lubangnya.
4. Tarik mata bor untuk memeriksa apakah sudah terkunci benar. Fungsi penempaan memerlukan mata bor untuk dapat bergerak secara aksial beberapa sentimeter saat terkunci di penahan alat.
5. Untuk melepas mata bor, tarik lengan penahan alat (j) dan keluarkan mata bor.



PERINGATAN: Selalu kenakan sarung tangan saat mengganti aksesoris. Komponen logam yang terbuka pada alat dan aksesoris dapat menjadi sangat panas selama pengoperasian.

Memasang Pegangan Samping (gbr. 4)

Pegangan samping (h) dapat dipasang agar sesuai dengan pengguna kidal dan normal.



PERINGATAN: Jangan menggunakan alat ini tanpa pegangan samping yang terpasang dengan benar.

1. Mengendurkan pegangan samping.
2. **Untuk pengguna normal:** Geser penjepit pegangan samping ke atas cincin di balik penahan alat, pegang dengan tangan kiri.
Untuk pengguna kidal: Geser penjepit pegangan samping ke atas cincin di balik penahan alat, pegang dengan tangan kanan.
3. Putar pegangan samping ke posisi yang diinginkan, lalu kencangkan pegangan.

Mengatur Kedalaman Pengeboran (gbr. 5)

1. Masukkan mata bor yang diinginkan seperti yang dijelaskan di atas.
2. Tekan tombol batang kedalaman (i) dan tekan terus.
3. Pasang batang penyesuai kedalaman (g) melalui lubang dalam penjepit penghenti kedalaman.

4. Atur kedalaman pengeboran seperti yang ditunjukkan.
5. Lepaskan penjepit penghenti kedalaman.

Tuas Pembalik (gbr. 6)

Tuas maju/mundur (c) digunakan untuk membalikkan rotasi palu untuk mengendurkan pengencang atau mata bor yang macet di fungsi khusus bor.



PERHATIAN: Ketika membalik untuk membersihkan mata bor yang macet, bersiaplah untuk menahan torsi reaktif yang kuat.

Untuk membalik palu, matikan dan luruskan tuas maju/mundur (c) dengan panah warna kuning yang menunjuk ke belakang.

Untuk memposisikan tuas untuk pengoperasian maju, matikan palu dan luruskan tuas maju/mundur (c) dengan panah warna kuning yang menunjuk ke depan.

Memasang Adaptor Gagang dan Gagang

AKSESORI YANG DAPAT DIPILIH D25032, D25033, D25133

1. Pasang gagang ke ujung adaptor gagang yang bergalur.
2. Masukkan gagang dan adaptor yang tersambung di alat sama seperti yang dilakukan pada mata bot SDS Plus standar.
3. Untuk melepaskan gagang, lakukan seperti melepaskan mata bor SDS Plus.



PERINGATAN: Jangan pernah menggunakan gagang standar dengan mode pengeboran tempa.

Mengganti Penahan Alat SDS Plus dengan Gagang Tanpa Tombol (gbr. 7)

D25134, D25144

1. Putar batang pengunci (m) ke posisi buka dan tarik Penahan Alat SDS Plus (f).
2. Dorong gagang tanpa tombol (n) ke kumparan dan putar batang pengunci (m) ke posisi mengunci.

Untuk mengganti gagang tanpa tombol dengan penahan alat SDS Plus, pertama-tama lepaskan gagang tanpa tombol dengan cara yang sama seperti melepaskan penahan alat. Kemudian tempatkan penahan alat sama dengan cara gagang gerak tanpa tombol ditempatkan. Pastikan untuk memutar gagang pengunci ke posisi mengunci.



PERINGATAN: Jangan pernah menggunakan gagang standar dengan mode pengeboran tempa.

Mengganti Penutup Debu (gbr. 1)

Penutup debu (k) mencegah debu masuk ke dalam mekanisme. Segeralah ganti penutup debu yang sudah aus.

1. Tarik lengan pengunci penahan alat (j), lalu lepas penutup debu (k).
2. Pasang penutup debu yang baru.
3. Lepaskan lengan pengunci penahan alat.

PENGOPERASIAN

Petunjuk Penggunaan



PERINGATAN:

- Selalu patuhi petunjuk keselamatan dan peraturan yang berlaku.
- Ketahui lokasi saluran pipa dan kabel.
- Gunakan tekanan ringan pada alat (kurang-lebih 5 kg). Daya berlebihan tidak akan mempercepat pengeboran, namun justru menurunkan kinerja alat dan dapat memperpendek usia pakai alat.
- Jangan mengebor atau menekan terlalu dalam untuk mencegah kerusakan penutup debu.
- Selalu pegang alat dengan erat menggunakan kedua tangan dan pastikan kemantapan pijakan (gbr. 9). Selalu operasikan alat dengan pegangan samping sudah terpasang betul.

Posisi Tangan Yang Benar (gbr. 8)



PERINGATAN: Untuk mengurangi risiko cedera diri yang serius, **SELALU** gunakan posisi tangan yang tepat sesuai petunjuk gambar.



PERINGATAN: Untuk mengurangi risiko cedera diri yang serius, **SELALU** pegang dengan erat untuk mengantisipasi reaksi mendadak.

Posisi tangan yang benar berarti satu tangan pada pegangan samping (h) dan tangan lainnya pada pegangan utama (b).

Menghidupkan dan Mematikan (gbr. 1)

1. Untuk menjalankan alat, tekan sakelar kecepatan variabel (a). Tekanan yang diberikan pada sakelar kecepatan variabel menentukan kecepatan alat.
2. Untuk operasi yang terus-menerus, tekan dan tahan sakelar kecepatan variabel.
3. Untuk menghentikan alat, lepas sakelar.

Pengeboran tempa (gbr. 1)

MENGEBOR DENGAN MATA BOR PADAT

1. Tahan tombol pemilih mode (e), kemudian atur sakelar pemilih mode (d) ke posisi pengeboran tempa.
2. Masukkan mata bor yang sesuai.
CATATAN: Untuk hasil terbaik, gunakan mata bor berujung karbit yang bermutu tinggi.
3. Sesuaikan pegangan samping (h) sesuai kebutuhan.
4. Jika perlu, setel kedalaman pengeboran.
5. Tandai titik yang akan dilubangi dengan bor.
6. Tempatkan mata bor pada titik tersebut dan nyalakan alat.
7. Selalu matikan alat saat pekerjaan telah selesai dan sebelum melepaskan kabel listriknya.

MENGEBOR DENGAN MATA BOR

1. Tahan tombol pemilih mode (e), kemudian atur sakelar pemilih mode (d) ke posisi pengeboran tempa.
2. Sesuaikan pegangan samping (h) sesuai kebutuhan.
3. Masukkan mata bor inti yang sesuai.
4. Pasang bor senter ke mata bor inti.
5. Tempatkan bor senter pada titik, lalu tekan matikan/nyalakan sakelar (a). Bor sampai inti bor menembus beton sekitar 1 cm.
6. Hentikan pengeboran dan lepaskan bor senter tersebut. Tempatkan kembali mata bor inti ke dalam lubang dan lanjutkan pengeboran.
7. Ketika melakukan pengeboran melalui struktur yang lebih tebal dari kedalaman mata bor inti, hancurkan silinder putar beton atau inti di dalam mata bor bit secara berkala. Untuk menghindari penghancuran yang tidak diinginkan pada beton di sekitar lubang, pertama-tama bor lubang dengan diameter pusat, lalu bor struktur sepenuhnya. Lalu bor lubang yang keras secara sebagian dari tiap sisi.
8. Selalu matikan alat saat pekerjaan telah selesai dan sebelum melepaskan kabel listriknya.

Pengeboran Putar (gbr. 1)

1. Tahan tombol pemilih mode (e), kemudian atur sakelar pemilih mode (d) ke posisi "penempatan putar".
2. Tergantung pada alat yang digunakan, ikuti salah satu petunjuk di bawah ini:
 - **D25032, D25033, D25133:** Pasang adaptor gagang/rakitan gagang.
 - **D25134, D25144:** Gantilah penahan alat SDS Plus dengan gagang gerak tanpa tombol.
3. Lakukan seperti yang dijelaskan untuk pengeboran tempa.



PERINGATAN: Jangan pernah menggunakan gagang standar dengan mode pengeboran tempa.

Pengobengan (gbr. 1)

1. Tahan tombol pemilih mode (e), kemudian atur sakelar pemilih mode (d) ke posisi pengobengan putar.
2. Pilih arah rotasi.
3. Tergantung pada alat yang digunakan, ikuti salah satu petunjuk di bawah ini:
 - **D25032, D25033, D25133:** Masukkan adaptor pengobengan SDS Plus khusus untuk digunakan dengan mata obeng segi-enam.
 - **D25134:** Mengganti penahan alat SDS Plus dengan gagang tanpa tombol
4. Masukkan mata obeng yang sesuai. Saat mengobeng sekrup bergalur tunggal, selalu gunakan mata obeng dengan ujung pipih.
5. Tekan perlahan sakelar kecepatan variabel (a) untuk mencegah rusaknya ujung sekrup. Dalam rotasi mundur (LH), kecepatan alat secara otomatis dikurangi untuk memudahkan pelepasan sekrup.
6. Bila sekrup sama tinggi dengan bahan kerja, lepaskan sakelar kecepatan variabel untuk menghindarkan masuknya kepala sekrup ke dalam bahan kerja.

Memotong dan Memahat (gbr. 1)

D25033, D25133, D25134, D25144

1. Tahan tombol pemilih mode (e), kemudian atur sakelar pemilih mode (d) ke posisi "penempatan saja".
2. Masukkan pahat yang sesuai dan putar dengan tangan untuk menguncinya ke posisi.
3. Sesuaikan pegangan samping (h) sesuai kebutuhan.
4. Nyalakan alat dan mulai bekerja.
5. Selalu matikan alat saat pekerjaan telah selesai dan sebelum melepaskan kabel listriknya.



PERINGATAN:

- Jangan gunakan alat ini untuk mencampur atau memompakan cairan yang mudah terbakar atau meledak (bensin, alkohol, dll.).
- Jangan mencampur atau mengaduk cairan yang mudah terbakar menurut label.

PEMELIHARAAN

Alat listrik DEWALT Anda telah dirancang untuk penggunaan jangka panjang dengan pemeliharaan minimal. Pengoperasian yang memuaskan secara terus-menerus bergantung pada cara pemeliharaan yang benar dan pembersihan alat secara teratur.



PERINGATAN: Untuk mengurangi risiko cedera, matikan unit dan lepas sambungan mesin dari sumber listrik sebelum memasang dan melepas aksesori, sebelum menyesuaikan atau mengubah pengaturan, maupun saat melakukan perbaikan. Pastikan sakelar pemacu dalam posisi OFF. Alat yang mendadak menyala dapat mengakibatkan cedera.

- Mesin ini tidak dapat diservis oleh pengguna sendiri. Bawa alat ke agen reparasi DEWALT resmi setelah kurang-lebih 40 jam penggunaan. Jika muncul masalah sebelum waktu ini, hubungi agen reparasi DEWALT resmi.
- Alat akan mati secara otomatis saat sikat karbon sudah aus.

Sikat Motor

DEWALT menggunakan sistem sikat canggi yang menghentikan bor secara otomatis ketika sikat aus. Ini mencegah kerusakan serius pada mesin. Rakitan sikat yang baru tersedia di pusat servis resmi DEWALT. Selalu gunakan komponen pengganti yang sama persis.



Pelumasan

Alat listrik Anda tidak membutuhkan pelumas tambahan.

Aksesori dan pelengkap yang digunakan harus dilumasi secara berkala di sekitar pelengkap SDS Plus.



Pembersihan



PERINGATAN: Semprot ke luar kotoran dan debu pada bodi utama dengan udara kering sesering mungkin saat kotoran terlihat mengendap di dalam dan di sekitar ventilasi udara. Gunakan pelindung mata yang disetujui dan masker debu yang disetujui saat melakukan prosedur ini.



PERINGATAN: Jangan gunakan pelarut atau bahan kimia keras lainnya untuk membersihkan bagian alat yang tidak terbuat dari logam. Zat-zat kimia tersebut dapat merapuhkan material komponen-komponen ini. Gunakan kain yang dilembapkan hanya dengan air dan sabun yang lembut. Jangan sampai bagian dalam alat kemasukan air; jangan pernah rendam komponen alat dalam cairan.

Aksesori Opsional



PERINGATAN: Berhubung aksesori-aksesori lain, di luar yang disediakan oleh DEWALT, belum pernah diuji coba menggunakan produk ini, maka penggunaan aksesori semacam itu dengan alat ini dapat berbahaya. Untuk mengurangi risiko cedera, gunakan hanya aksesori DEWALT yang disarankan dengan produk ini.

Berbagai tipe mata bor dan alat pahat SDS Plus tersedia sebagai pilihan.

Tanyakan kepada dealer Anda untuk informasi selengkapnya seputar aksesori yang sesuai.

Melindungi Lingkungan



Pengumpulan terpisah. Produk ini tidak boleh dibuang bersama limbah rumah tangga biasa.



Seandainya suatu hari Anda jumpai produk DEWALT Anda butuh diganti, atau tidak lagi berguna bagi Anda, jangan buang alat ini bersama limbah rumah tangga biasa. Pisahkan pengumpulan produk ini.



Pengumpulan produk dan kemasan bekas secara terpisah memungkinkan material untuk didaur ulang dan digunakan lagi. Penggunaan kembali bahan yang didaur ulang akan membantu mencegah pencemaran lingkungan serta mengurangi kebutuhan akan bahan baku mentah.

Undang-undang setempat mungkin memfasilitasi pengumpulan produk-produk kelistrikan terpisah dari sampah rumah tangga, di tempat pembuangan sampah kota atau oleh pedagang ritel pada saat Anda membeli produk baru.

DEWALT menyediakan fasilitas pengumpulan dan pendaurulangan produk-produk DEWALT setelah mencapai akhir usia pakainya. Untuk memanfaatkan layanan ini, harap kembalikan produk Anda kepada agen reparasi resmi yang akan mengumpulkannya atas nama kami.

Anda dapat menemukan lokasi agen reparasi resmi terdekat Anda dengan cara menghubungi kantor DEWALT setempat di alamat yang tercantum pada buku petunjuk ini. Alternatif lainnya, Anda dapat melihat daftar agen reparasi DEWALT resmi dan detail lengkap layanan purna jual serta kontak kami yang tersedia di Internet, di: www.2helpU.com.

ส่วนเจาะกระแทกโรตารีสำหรับงานหนัก D25032, D25033, D25132, D25133, D25134, D25143, D25144

ขอแสดงความยินดี!

คุณได้เลือกใช้เครื่องมือจาก DEWALT ด้วยประสบการณ์หลายปีที่ผ่านมาในการพัฒนาผลิตภัณฑ์และนวัตกรรมใหม่ๆ ทำให้ DEWALT เป็นหนึ่งในเครื่องมือไฟฟ้าที่นำเชื่อถือที่สุดสำหรับผู้ใช้เครื่องมือไฟฟ้าระดับมืออาชีพ

ข้อมูลด้านเทคนิค

		D25032	D25033	D25132	D25133	D25134	D25143	D25144
แรงดันไฟฟ้า	โวลต์	220-240	220-240	220-240	220-240	220-240	220-240	220-240
กำลังไฟเข้า	W	710	710	800	800	800	900	900
ความเร็วขณะไม่มีโหลด	นาที ⁻¹	0-1550	0-1550	0-1500	0-1500	0-1500	0-1450	0-1450
อัตราการเจาะกระแทก ขณะไม่มีโหลด	bpm	0-5680	0-5680	0-5500	0-5500	0-5540	0-5350	0-5350
แรงกระแทกครั้งเดียว (NON EPTA)	J	2.1	2.1	2.9	2.9	3.0	3.2	3.2
ระยะการเจาะสูงสุดสำหรับ เหล็ก/ไม้/คอนกรีต	มม.	13/30/22	13/30/22	13/30/26	13/30/26	13/30/26	13/30/28	13/30/28
ตำแหน่งดอกสกัด		--	44	--	44	48	48	48
ความสามารถในการเจาะคว้านอิฐอ่อน	มม.	50	50	50	50	65	65	65
หัวจับดอก		SDS Plus	SDS Plus	SDS Plus	SDS Plus	SDS Plus	SDS Plus	SDS Plus
เส้นผ่านศูนย์กลางหัวจับดอก	มม.	43	43	43	43	54	54	54
น้ำหนัก	กก.	2.5	2.5	2.6	2.6	3.0	3.1	3.1

คำจำกัดความ: ข้อแนะนำด้านความปลอดภัย

คำจำกัดความด้านล่างอธิบายถึงระดับความรุนแรงของแต่ละคำที่ใช้เรียกสัญลักษณ์ต่างๆ โปรดอ่านคู่มือและใส่ในกับสัญลักษณ์เหล่านี้



อันตราย: หมายถึงสถานการณ์ที่ก่อให้เกิดอันตรายได้อย่างฉับพลัน ซึ่งหากไม่ระวังจะทำให้เสียชีวิตหรือบาดเจ็บสาหัสได้



คำเตือน: หมายถึงสถานการณ์ที่มีแนวโน้มว่าจะก่อให้เกิดอันตราย ซึ่งหากไม่ระวังสามารถทำให้เกิดอันตรายถึงชีวิตหรือบาดเจ็บสาหัสได้



ข้อควรระวัง: หมายถึงสถานการณ์ที่มีแนวโน้มว่าจะก่อให้เกิดอันตราย ซึ่งถ้าไม่ระวังอาจทำให้

ได้รับบาดเจ็บเล็กน้อยหรือปานกลาง

ข้อสังเกต: หมายถึงการปฏิบัติ ที่ไม่เกี่ยวข้องกับการบาดเจ็บส่วนบุคคล ซึ่งหากไม่ระวัง อาจทำให้ทรัพย์สินเสียหาย



แสดงถึงอันตรายจากการถูกไฟฟ้าช็อต



แสดงถึงอันตรายจากการเกิดเพลิงไหม้



คำเตือน: เพื่อลดความเสี่ยงจากการบาดเจ็บ โปรดอ่านคู่มือการใช้งานเล่มนี้

คำเตือนเพื่อความปลอดภัยทั่วไปสำหรับการใช้เครื่องมือไฟฟ้า



คำเตือน! อ่านคำเตือนและคำแนะนำด้านความปลอดภัยทั้งหมด การไม่ปฏิบัติตามคำเตือนและคำแนะนำเหล่านี้อาจทำให้ถูกไฟดูด เกิดเพลิงไหม้และ/หรือบาดเจ็บสาหัสได้

โปรดเก็บรักษาคำเตือนและข้อปฏิบัติทั้งหมดนี้ไว้เพื่อการอ้างอิงในภายหลัง

คำว่า "เครื่องมือไฟฟ้า" ในคำเตือน หมายถึง เครื่องมือไฟฟ้า (แบบมีสาย) ที่ทำงานผ่านแหล่งจ่ายไฟหลัก หรือ เครื่องมือไฟฟ้า (แบบไร้สาย) ที่ทำงานผ่านแบตเตอรี่

1) ความปลอดภัยในบริเวณที่ทำงาน

- รักษาความสะอาดและจัดให้มีแสงสว่างเพียงพอในบริเวณที่ทำงาน บริเวณที่มีดหรือมีของวางระเกะระกะอาจทำให้เกิดอุบัติเหตุได้
- ห้ามใช้เครื่องมือไฟฟ้าในบริเวณที่อาจเกิดการระเบิด เช่น เมื่อมีของเหลว แก๊ส หรือ ฝุ่นละเอียดลอยตัวในอากาศ เครื่องมือไฟฟ้าจะทำให้เกิดการประกายไฟที่อาจทำให้เกิดระเบิดไฟหรือเปลวไฟขึ้นได้

- ค) ระวังไม่ให้เด็กเล็กและคนเดินผ่านเข้ามาใกล้ในขณะที่ใช้งานเครื่องมือไฟฟ้า สิ่งรอบกองอาจทำให้คุณเสียสมาธิได้

2) ความปลอดภัยทางไฟฟ้า

- ก) ปลั๊กไฟของเครื่องต้องเป็นชนิดเดียวกับเต้ารับ ห้ามดัดแปลงปลั๊กไม่ว่าด้วยวิธีใด ห้ามใช้ปลั๊กอะแดปเตอร์ใดๆ กับเครื่องมือไฟฟ้าที่ต่อสายดิน (ลงกราวด์) ปลั๊กที่ไม่มีการดัดแปลงและสายชนิดเดียวกันจะช่วยลดความเสี่ยงจากการเกิดไฟฟ้าช็อต
- ข) หลีกเลี่ยงการสัมผัสพื้นผิวที่ต่อสายดินหรือลงกราวด์ เช่น ท่อ หม้อน้ำ เตาหม้อต้ม และตู้เย็น มีความเสี่ยงเพิ่มขึ้นที่จะเกิดไฟฟ้าช็อตหากร่างกายเป็นสื่อเชื่อมต่อลงดินหรือลงกราวด์
- ค) อย่าให้เครื่องมือไฟฟ้าถูกฝนหรืออยู่ในสภาพที่เปียกชื้น น้ำที่เข้าเครื่องมือไฟฟ้าจะเพิ่มความเสี่ยงในการเกิดไฟฟ้าช็อต
- ง) ห้ามใช้สายไฟผิดวัตถุประสงค์ ห้ามใช้สายไฟเพื่อการหิ้ว ดึง หรือถอดปลั๊กเครื่องมือไฟฟ้า เก็บสายไฟให้พ้นจากความร้อน น้ำมันของมีดคม หรือ ชิ้นส่วนที่กำลังเคลื่อนที่ สายไฟที่ชำรุดหรือพันกันเป็นการเพิ่มความเสี่ยงจากการถูกไฟฟ้าช็อต
- จ) เมื่อใช้เครื่องมือไฟฟ้านอกอาคาร ให้ใช้สายต่อพ่วงที่เหมาะสมสำหรับการใช้งานนอกอาคาร ใช้สายไฟที่เหมาะสมสำหรับใช้ในอาคารจะช่วยลดความเสี่ยงต่อการเกิดไฟฟ้าช็อต
- ฉ) หากไม่สามารถหลีกเลี่ยงการใช้เครื่องมือไฟฟ้าในบริเวณที่ชื้นและได้ ให้ใช้อุปกรณ์ป้องกันไฟดูด (RCD) การใช้ RCD จะเป็นการลดความเสี่ยงจากการถูกไฟฟ้าช็อต

3) ความปลอดภัยส่วนบุคคล

- ก) ดันตัวและมีสมาธิกับสิ่งที่คุณกำลังทำ รวมทั้งใช้สามัญสำนึกในขณะที่กำลังใช้งานเครื่องมือไฟฟ้า ห้ามใช้เครื่องมือไฟฟ้าในขณะที่คุณกำลังเหนื่อยหรือได้รับอิทธิพลจากยาแอลกอฮอล์ หรือการรักษานางอย่าง การขาดความระมัดระวังในการใช้เครื่องมือไฟฟ้าแม้ชั่วขณะหนึ่งอาจทำให้บาดเจ็บสาหัสได้
- ข) ใช้อุปกรณ์คุ้มครองความปลอดภัยส่วนบุคคลสวมอุปกรณ์ป้องกันดวงตาเสมอ อุปกรณ์ป้องกัน เช่น หน้ากากกันฝุ่น รองเท้านิรภัยกันส้น หมวกนิรภัย หรืออุปกรณ์ป้องกันเสียงดังที่ใช้ในสภาวะที่เหมาะสมจะช่วยลดอาการบาดเจ็บทางร่างกาย
- ค) ป้องกันเครื่องเปิดทำงานโดยไม่ตั้งใจ สวิตช์ต้องอยู่ในตำแหน่งปิดก่อนที่จะเสียบปลั๊กของเครื่องเข้ากับแหล่งจ่ายไฟ และ/หรือ แบตเตอรี่ หรือก่อนยกหรือหิ้วเครื่องมือ การยกเครื่องมือไฟฟ้าในขณะที่นิ้วอยู่ที่สวิตช์ หรือใช้เครื่องมือไฟฟ้าที่สวิตช์เปิดอยู่ อาจทำให้เกิดอุบัติเหตุได้
- ง) ถอดกุญแจปรับแต่งหรือประแจออกก่อนเปิดสวิตช์เครื่องมือไฟฟ้า ประแจหรือกุญแจที่เสียบค้างอยู่ในชิ้นส่วนที่หมุนได้ของเครื่องมือไฟฟ้าอาจทำให้ได้รับบาดเจ็บได้

- จ) ห้ามยื่นแขนง่าเข้าขณะใช้เครื่อง ควรยืนในท่าที่เหมาะสมและสมดุลตลอดเวลา เพื่อช่วยในการควบคุมเครื่องมือไฟฟ้าได้ดียิ่งขึ้นในสถานการณ์ที่ไม่คาดคิด
- ฉ) แต่งกายให้เหมาะสม ห้ามสวมเสื้อผ้าหลวมหรือใส่เครื่องประดับ รวมหม ขายเสื้อ และถุงมือให้ห่างจากชิ้นส่วนที่กำลังหมุน เสื้อผ้าที่หลวมหรือยาวขมวดรุ่ม เครื่องประดับ หมวกหมวกที่ยาวอาจเข้าไปพันกับชิ้นส่วนที่กำลังหมุน
- ช) หากมีอุปกรณ์สำหรับดูดและเก็บฝุ่น ต้องตรวจสอบให้แน่ใจว่าได้เชื่อมต่อและใช้งานอุปกรณ์นั้นอย่างเหมาะสม การใช้อุปกรณ์เก็บฝุ่นจะช่วยลดอันตรายที่เกี่ยวข้องกับฝุ่นได้

4) การใช้และการดูแลรักษาเครื่องมือไฟฟ้า

- ก) ห้ามเดินใช้เครื่องมือไฟฟ้า เลือกรูปแบบเครื่องมือไฟฟ้าที่ถูกต้องตรงกับลักษณะการใช้งานของคุณ เครื่องมือไฟฟ้าที่ถูกดัดแปลงหรือดัดแปลงมาไม่ได้ดีกว่าและปลอดภัยกว่า เมื่อใช้งานตามฟังก์ชันที่เครื่องมือ ได้รับการออกแบบมา
- ข) ห้ามใช้เครื่องมือไฟฟ้าถ้าสวิตช์เปิดปิดเครื่องไม่ทำงาน เครื่องมือไฟฟ้า ที่ไม่สามารถควบคุมสวิตช์ได้ ถือว่ามีอันตรายและต้องส่งซ่อม
- ค) ถอดปลั๊กของเครื่องมือไฟฟ้าออกจากแหล่งจ่ายไฟ และ/หรือ แบตเตอรี่ก่อนทำการปรับแต่ง เปลี่ยนอุปกรณ์เสริม หรือจัดเก็บมาตรการเพื่อความปลอดภัยซึ่งป้องกันจะช่วยลดความเสี่ยงในการผล่อเปิดเครื่องให้ทำงานโดยไม่ตั้งใจ
- ง) เก็บเครื่องมือไฟฟ้าที่ไม่ได้ใช้งานไว้ให้พ้นมือเด็ก และไม่อนุญาตให้บุคคลที่ไม่คุ้นเคยกับเครื่องมือไฟฟ้าหรือข้อปฏิบัติเหล่านี้เป็นผู้ใช้เครื่องมือ เครื่องมือไฟฟ้าจะเป็นอันตรายหากอยู่ในมือผู้ใช้ที่ไม่มีความชำนาญ
- จ) บำรุงรักษาเครื่องมือไฟฟ้า ตรวจสอบว่าชิ้นส่วนที่เคลื่อนที่ได้มีการวางไม่ตรงแนวหรือติดขัดหรือไม่ มีชิ้นส่วนที่แตกหัก และสภาพอื่นใดที่อาจส่งผลกระทบต่อการทำงานของเครื่องมือไฟฟ้าหรือไม่ หากชำรุดเสียหาย ให้นำเครื่องมือไปส่งซ่อมก่อนนำมาใช้ อุบัติเหตุจำนวนมากเกิดจากการดูแลรักษาเครื่องมือไฟฟ้าไม่ถูกต้อง
- ฉ) เครื่องมือตัดต้องคมและสะอาดอยู่เสมอ เครื่องมือตัดที่ได้รับการดูแลรักษาอย่างถูกต้องและมีขอบตัดคม จะมีปัญหาติดขัดน้อย และควบคุมได้ง่ายกว่า
- ช) ใช้เครื่องมือไฟฟ้า อุปกรณ์เสริม และดอกส่วนหรือใบมีดของเครื่องมือ เป็นต้น ให้ตรงตามข้อปฏิบัติเหล่านี้ โดยพิจารณาถึงสภาพการทำงานและงานที่ทำให้เป็นสำคัญ การใช้เครื่องมือไฟฟ้าทำงานอื่นนอกเหนือจากที่กำหนดไว้อาจทำให้เกิดอันตรายได้

5) การบริการ

- ก) ให้ช่างซ่อมที่มีความเชี่ยวชาญเป็นผู้ซ่อมเครื่องมือ และใช้อะไหล่แท้เท่านั้น ซึ่งจะช่วยรับประกันได้ว่าเครื่องมือไฟฟ้ายังมีความปลอดภัยอยู่

กฎเกณฑ์เพิ่มเติมด้านความปลอดภัยเฉพาะสำหรับส่วนเจาะกระแทกโรตารี

- **สวมอุปกรณ์ป้องกันเสียงดัง** การเผชิญกับเสียงดังมาก อาจทำให้สูญเสียความสามารถในการได้ยิน
- **ใช้มือจับเสริมที่ให้มีพร้อมทั้งกับเครื่อง** การสูญเสียการควบคุมเครื่องอาจทำให้ได้รับบาดเจ็บได้
- **จับเครื่องมือไฟฟ้าที่พื้นผิวส่วนที่ใช้จับซึ่งมีฉนวนป้องกันในขณะที่ทำงานที่เครื่องมือตัดอาจสัมผัสกับสายไฟที่ซ่อนอยู่หรือสายไฟของตัวเครื่องเองได้** การสัมผัสลวดสายไฟที่มี "กระแสไฟผ่าน" จะทำให้ชิ้นส่วนโลหะของเครื่องมือไฟฟ้าที่อยู่นอกฉนวนได้รับ "กระแสไฟผ่าน" และทำให้ผู้ใช้ถูกไฟดูดได้
- **ใช้แคลมป์ยึดหรือวิธีอื่นๆ ที่ได้ผลเพื่อยึดและรองชิ้นงานบนแท่นที่มั่นคง** การใช้มือจับชิ้นงานหรือให้ชิ้นงานพึ่งกับลำตัวจะไม่มั่นคงเพียงพอและอาจทำให้สูญเสียการควบคุมได้
- **สวมแว่นตาป้องกันหรืออุปกรณ์ป้องกันดวงตาแบบอื่น ๆ** การเจาะกระแทกด้วยส่วนไฟฟ้าจะทำให้เศษชิ้นงานปลิวได้ เศษชิ้นงานที่ปลิวออกมาอาจทำลายดวงตาอย่างถาวร สวมหน้ากากกันฝุ่นหรือหน้ากากป้องกันขณะปฏิบัติงานที่อาจมีฝุ่นฟุ้งกระจาย อาจจำเป็นต้องสวมอุปกรณ์ป้องกันเสียงดังสำหรับการทำงานส่วนใหญ่
- **จับที่ด้ามจับของเครื่องมือให้มั่นคงตลอดเวลาอย่าใช้เครื่องมือทำงานใดๆ โดยไม่จับเครื่องมือทั้งสองข้าง** ขอแนะนำให้ใช้มือจับเสริมด้านข้างตลอดเวลา การใช้เครื่องมือนี้ด้วยมือข้างเดียวจะทำให้สูญเสียการควบคุม การเจาะทะลุหรือการเจาะเข้าวัสดุที่แข็งอย่างเช่น เหล็กเส้น อาจก่อให้เกิดอันตรายได้เช่นกัน โปรดจับมือจับเสริมด้านข้างให้แน่นก่อนใช้งาน
- **อย่าใช้งานเครื่องมือนี้ต่อเนื่องเป็นเวลานาน** แรงสั่นสะเทือนที่เกิดจากการเจาะกระแทก อาจทำให้เกิดอันตรายต่อมือและแขนของคุณ ใช้ถุงมือเพื่อลดระดับแรงสั่นสะเทือนบางส่วน และจำกัดแรงสั่นสะเทือนโดยหยุดเครื่องมือเป็นระยะๆ
- **ห้ามปรับแต่งดอกสว่าน/ดอกสกัดเอง** ควรให้ผู้เชี่ยวชาญที่ได้รับอนุญาตเป็นผู้ทำการปรับแต่งดอกสกัด หากปรับแต่งดอกสกัดโดยไม่ถูกต้อง อาจเป็นสาเหตุให้เกิดการบาดเจ็บได้
- **สวมถุงมือในขณะใช้งานเครื่องมือหรือเปลี่ยนดอกสว่าน/ดอกสกัด** เศษชิ้นส่วนโลหะบนเครื่องมือและดอกสว่าน/ดอกสกัดอาจร่อนมากในระหว่างการใช้งานเครื่องมือ เศษชิ้นเล็ก ๆ จากวัสดุที่แตกหักอาจทำอันตรายต่อมือได้หากไม่ได้สวมถุงมือ
- **อย่าวางเครื่องมือจนกว่าดอกสว่าน/ดอกสกัดจะหยุดหมุนแล้ว** ดอกสว่าน/ดอกสกัดที่ยังหมุนอยู่อาจทำให้เกิดการบาดเจ็บได้
- **อย่าใช้คอนกรีตแตกดอกสว่าน/ดอกสกัดที่ติดขัด** ปล่อยให้หลุดออก ชิ้นโลหะหรือเศษวัสดุอาจหลุดออกมาและทำให้เกิดการบาดเจ็บได้

- **ดอกสกัดที่สึกเพียงเล็กน้อยสามารถทำให้คมขึ้นได้โดยการเจียร**
- **พยายามเก็บสายไฟให้ห่างจากดอกสว่าน/ดอกสกัดที่กำลังหมุน** อย่าพันสายไฟกับอวัยวะใดบนร่างกายของคุณ หากสายไฟพันรอบดอกสว่าน/ดอกสกัดที่กำลังหมุน อาจเป็นสาเหตุให้เกิดการบาดเจ็บและสูญเสียการควบคุมได้

ความเสี่ยงอื่นๆ ที่ยังมีอยู่

การใช้งานแท่นเจียรลวดอาจเป็นสาเหตุของความเสี่ยงดังต่อไปนี้:

- การบาดเจ็บจากการสัมผัสชิ้นส่วนของเครื่องมือที่กำลังหมุนหรือชิ้นส่วนที่มีความร้อน

แม้จะปฏิบัติตามข้อกำหนดด้านความปลอดภัยที่เกี่ยวข้องและใช้อุปกรณ์ที่รับภัยแล้วก็ตาม แต่ก็ไม่สามารถหลีกเลี่ยงความเสี่ยงบางอย่างได้ ความเสี่ยงเหล่านั้นได้แก่:

- ความบกพร่องในการได้ยินเสียง
- ความเสี่ยงของการหนีงูกินัวในขณะที่เปลี่ยนอุปกรณ์เสริม
- อันตรายต่อสุขภาพซึ่งมีสาเหตุจากการสูดหายใจเอาฝุ่นที่เกิดจากการทำงานกับคอนกรีต และ/หรือ ปูน

สัญลักษณ์บนเครื่องมือ

รูปภาพต่อไปนี้จะปรากฏบนเครื่องมือ:



อ่านคู่มือการใช้งาน ก่อนใช้เครื่อง



สวมอุปกรณ์ป้องกันเสียงดัง



สวมอุปกรณ์ป้องกันตา

ตำแหน่งของรหัสวันที่ (รูป 1)

รหัสวันที่ (I) ซึ่งระบุ ปีที่ผลิตไว้ด้วย โดยจะพิมพ์ไว้บนตัวเครื่อง

ตัวอย่างเช่น:

2014 XX XX

ปีที่ผลิต

สิ่งที่อยู่ในบรรจุภัณฑ์

ภายในบรรจุภัณฑ์ประกอบด้วย:

ส่วนเจาะกระแทกโรตารีสำหรับงานหนัก 1 เครื่อง

มือจับเสริมด้านข้าง 1 ชิ้น

ก้านปรับระยะการเจาะ 1 ชิ้น

กล่องเครื่องมือ 1 กล่อง

ตัวจับดอกสว่านแบบไม่ใช้จำปา (D25144) 1 ชิ้น

คู่มือการใช้งาน 1 เล่ม

- โปรดตรวจหาร่องรอยความเสียหายของเครื่องมือ ขึ้นส่วน หรืออุปกรณ์เสริม ที่อาจเกิดขึ้นในระหว่างการขนส่ง
- โปรดอ่านและทำความเข้าใจคู่มือเล่มนี้ก่อนการใช้งาน

คำอธิบาย (รูป 1, 5, 8)



คำเตือน: ห้ามปรับแต่งเครื่องมือไฟฟ้าหรือชิ้นส่วนใดๆ โดยเด็ดขาด เพราะอาจทำให้เครื่องมือชำรุดหรือได้รับบาดเจ็บได้

- สวิตช์ปรับระดับความเร็ว
- มือจับหลัก
- ก้านปรับเดินหน้า/ถอยหลัง
- ตัวเลือกโหมด
- ปุ่มเลือกโหมด
- ตัวจับอุปกรณ์ SDS Plus
- ก้านปรับระยะการเจาะ
- มือจับเสริมด้านข้าง
- ปุ่มปรับระยะการเจาะ
- ปลอกล๊อค
- ฝากันฝุ่น
- รหัสรุ่นที่
- ปลอกล๊อค (D25144)
- ตัวจับดอกสว่านแบบไม่ใช้จำปา (D25134/D25144)
- ปุ่มล๊อคระดับความเร็ว

วัตถุประสงค์ในการใช้งาน

สว่านเจาะกระแทกโรตารีสำหรับงานหนักรุ่น D25032 ได้รับการออกแบบมาสำหรับงานเจาะ งานเจาะกระแทก และงานขันสกรูแบบมืออาชีพ ส่วนเจาะกระแทกโรตารีสำหรับงานหนักรุ่น D25033, D25133 และ D25144 ได้รับการออกแบบมาสำหรับงานเจาะ งานเจาะกระแทก งานขันสกรู และงานถากชนิดเบาแบบมืออาชีพ

ห้ามใช้ในบริเวณที่เปียกชื้น หรือมีของเหลวหรือแก๊สที่ติดไฟได้อยู่ในบริเวณดังกล่าว

สว่านเจาะกระแทกเป็นเครื่องมือไฟฟ้าสำหรับมืออาชีพ ห้ามปล่อยให้เด็กสัมผัสกับเครื่องมือ ผู้ใช้ที่ไม่มีประสบการณ์มาก่อนต้องได้รับการดูแลในขณะที่ใช้เครื่องมือนี้

- **ผู้เยาว์และผู้ที่มีความเชี่ยวชาญ** เครื่องมือนี้ไม่ได้มีไว้เพื่อการใช้งานโดยผู้เยาว์หรือผู้ที่มีความเชี่ยวชาญโดยไม่มีการควบคุมดูแล
- เครื่องมือนี้ไม่ได้มีไว้เพื่อการใช้งานโดยบุคคล (ซึ่งรวมถึงผู้เยาว์) ที่มีความบกพร่องทางร่างกายทางการรับความรู้สึก หรือทางจิตประสาท หรือขาดประสบการณ์ ความรู้ และทักษะ เว้นเสียแต่จะได้รับการควบคุมดูแลหรือคำแนะนำการใช้เครื่องมือโดยผู้ที่รับผิดชอบต่อความปลอดภัยของบุคคลเหล่านั้น ห้ามปล่อยให้ผู้เยาว์ไว้กับเครื่องนี้ตามลำพัง

คลังข้อความแรงบิด

สว่านเจาะกระแทกโรตารีจะมีคลังข้อความแรงบิดติดตั้งมาด้วย ซึ่งจะทำหน้าที่ลดปฏิกิริยาตอบสนองสูงสุดต่อแรงบิดที่ถูกส่งผ่านไปยังผู้ปฏิบัติงานในกรณีที่ดอกสว่านติดขัด คุณสมบัตินี้ยังช่วยป้องกันเกียร์และมอเตอร์ไฟฟ้าค้างอีกด้วย คลังข้อความแรงบิดนี้ได้รับการปรับตั้งจากโรงงานและไม่สามารถปรับเปลี่ยนได้

ความปลอดภัยทางไฟฟ้า

มอเตอร์ไฟฟ้าออกแบบมาเพื่อใช้กับแรงดันไฟฟ้าขนาดเดียวกันนั้น ต้องตรวจสอบกำลังไฟเพื่อให้ตรงกับแรงดันไฟฟ้าบนแผ่นแสดงที่ติดตั้ง



เครื่องมือ DEWALT ใช้ระบบฉนวนสองชั้นที่ตรง ตามมาตรฐาน EN 60745 จึงไม่จำเป็นต้องใช้ สายดิน



คำเตือน: กรณีอุปกรณ์ที่ใช้ไฟ 115 โวลต์ ต้องใช้งานผ่านหม้อแปลงเดี่ยวแบบมีอุปกรณ์ป้องกัน พร้อมทั้งแผ่นสายดิน ระหว่างขดลวดหลักกับขดลวดรอง

ถ้าสายไฟของตัวเครื่องชำรุดเสียหาย ต้องเปลี่ยนเป็นสายไฟที่จัดเตรียมมาเป็นพิเศษซึ่งสั่งซื้อได้จากศูนย์บริการของ DEWALT

การใช้สายพ่วง

ในกรณีที่จำเป็นต้องใช้สายพ่วง ให้ใช้สายพ่วง 3 ขั้วที่ผ่านการรับรองและเหมาะสมกับปริมาณไฟเข้าของอุปกรณ์ (ดูที่ ข้อมูลด้านเทคนิค) ขนาดต่ำสุดของสายไฟคือ 1.5 มม.² ความยาวสูงสุดคือ 30 ม.

เมื่อมีการใช้อุปกรณ์ผ่านเก็บสายไฟ ให้คลายสายไฟออกจนหมดทุกครั้ง

การประกอบและการปรับแต่ง



คำเตือน: เพื่อลดความเสี่ยงจากการบาดเจ็บ ให้ปิดเครื่องมือและถอดปลั๊กออกจากแหล่งจ่ายไฟก่อนการประกอบและถอดอุปกรณ์เสริม ก่อนการปรับแต่งหรือเปลี่ยนชุดติดตั้ง หรือขณะทำการเปลี่ยนแปรง ตรวจสอบให้แน่ใจว่าสวิตช์อยู่ในตำแหน่ง "ปิด" การเผลอเปิดเครื่องโดยไม่ตั้งใจอาจทำให้เกิดการบาดเจ็บได้

การเลือกโหมดการทำงาน (รูป 2)

เครื่องมือสามารถใช้ในโหมดการทำงานได้ดังต่อไปนี้:



ใช้สำหรับการขันสกรูและการเจาะรูในวัสดุประเภทเหล็ก ไม้ และพลาสติก



การเจาะกระแทก: สำหรับการเจาะคอนกรีตและปูน การหมุนดอกสว่าน: ตำแหน่งที่ไม่มีการทำงาน ใช้โหมดนี้เฉพาะสำหรับการหมุนดอกสกัดปากแบบเข้าในตำแหน่งที่ต้องการ



การกระแทกอย่างเดียว (D25033, D25133, D25134, D25144): สำหรับการสกัด การถากขีดินเบา และการเจาะทำลาย ในโหมดนี้สามารถใช้เครื่องมือเป็นตัวงัดดอกสว่านที่ติดขัดอยู่ออกได้อีกด้วย

1. การเลือกโหมดการทำงาน ให้กดปุ่มเลือกโหมดทำงาน (e) แล้วหมุนสวิตช์ปรับโหมด (d) จนกระทั่งเครื่องหมายอยู่ตรงสัญลักษณ์ของโหมดที่ต้องการ
2. ปล่อยปุ่มเลือกโหมดทำงาน ล็อคคิรียัก และตรวจสอบสวิตช์ปรับโหมดว่าเข้าอยู่ในตำแหน่งดีแล้ว



คำเตือน: ห้ามเลือกโหมดการทำงานในขณะที่เครื่องมือกำลังทำงานอยู่

การกำหนดตำแหน่งของดอกสกัด (รูป 2)

ดอกสกัดสามารถกำหนดและล็อคให้อยู่ในตำแหน่งต่างๆได้

1. ให้กดปุ่มเลือกโหมดทำงาน (e) แล้วหมุนสวิตช์ปรับโหมด (d) จนกระทั่งอยู่ตรงกับตำแหน่ง "การหมุนดอกสว่าน/การเจาะกระแทก"
2. หมุนดอกสกัดในตำแหน่งที่ต้องการ
3. ตั้งสวิตช์ปรับโหมด (d) ไปที่ตำแหน่ง "กระแทกอย่างเดียว"
4. บิดดอกสกัดจนกระทั่งดอกสกัดเข้าล็อคในตำแหน่ง

การใส่และการถอดประกอบอุปกรณ์เสริม SDS Plus (รูป 3)

เครื่องมือนี้ใช้อุปกรณ์เสริม SDS Plus (โปรดดูรอบเล็กในรูป 3 ซึ่งแสดงภาพตัดขวางของก้านดอกสว่าน SDS Plus) ขอแนะนำให้ใช้อุปกรณ์เสริมมาตรฐานระดับมืออาชีพเท่านั้น

1. ทำความสะอาดและหล่อลื่นก้านดอกสว่าน
2. สอดก้านดอกสว่านเข้าในตัวจับอุปกรณ์ SDS Plus (f)
3. กดดอกสว่านลง ค่อยๆ หมุนดอกสว่านจนกระทั่งเข้าพอดีในช่อง
4. ลองดึงดอกสว่านออกเพื่อตรวจสอบว่าดอกสว่านล็อคอยู่ในตำแหน่งถูกต้องแล้ว สำหรับคุณสมบัตินี้การกระแทก ดอกสว่านจะต้องเคลื่อนตามแนวแกนได้หลายเซนติเมตรเมื่อล็อคอยู่ในตัวจับอุปกรณ์สว่าน
5. การถอดประกอบดอกสว่าน ให้ดึงตัวจับอุปกรณ์/ปลอกล็อค (j) กลับ แล้วดึงดอกสว่านออก



คำเตือน: สวมถุงมือขณะเปลี่ยนอุปกรณ์เสริมเสมอ ชิ้นส่วนโลหะบนเครื่องมือและอุปกรณ์เสริมอาจร้อนมากในระหว่างการทำงาน

ใส่มือจับเสริมด้านข้าง (รูป 4)

มือจับเสริมด้านข้าง (h) สามารถติดตั้งเพื่อให้เหมาะทั้งสำหรับผู้ใช้ที่ถนัดขวาและผู้ใช้ที่ถนัดซ้าย



คำเตือน: ห้ามใช้เครื่องมือโดยไม่มีมือจับเสริมด้านข้างประกอบอยู่อย่างถูกต้อง

1. คลายมือจับเสริมด้านข้าง
2. **สำหรับผู้ใช้ที่ถนัดขวา:** เลื่อนตัวยึดมือจับเสริมด้านข้างไปบนปลอกหมอนซึ่งอยู่ด้านหลังตัวจับอุปกรณ์ ให้มือจับอยู่ด้านซ้าย
3. **สำหรับผู้ใช้ที่ถนัดซ้าย:** เลื่อนตัวยึดมือจับเสริมด้านข้างไปบนปลอกหมอนซึ่งอยู่ด้านหลังตัวจับอุปกรณ์ ให้มือจับอยู่ด้านขวา
3. หมุนมือจับเสริมด้านข้างไปยังตำแหน่งที่ต้องการ แล้วขันมือจับให้แน่น

การปรับตั้งความลึกของการเจาะ (รูป 5)

1. ใสดอกสว่านที่ต้องการตามวิธีที่อธิบายข้างต้น
2. กดตัวยึดก้านปรับระยะการเจาะ (i) ค้างไว้
3. สอดก้านปรับระยะการเจาะ (g) ผ่านช่องที่อยู่ในตัวยึดก้านปรับระยะการเจาะ
4. ปรับตั้งความลึกของการเจาะตามที่แสดงในภาพ
5. ปล่อยตัวยึดก้านปรับระยะการเจาะ

ก้านโยกกลับทิศ (รูป 6)

ก้านปรับเดินหน้า/ถอยหลัง (c) ใช้สำหรับกลับการหมุนของสว่านเจาะกระแทก เพื่อให้ตัวยึดหรือดอกสว่านที่ติดค้างถอยออกมาเมื่อใช้งานในลักษณะเจาะอย่างเดียว



ข้อควรระวัง: ขณะที่หมุนกลับเพื่อเอาดอกสว่านที่ติดขัดอยู่ออก ต้องเตรียมพร้อมหากมีแรงบิดย้อนกลับอย่างแรง

ถ้าต้องการให้สว่านเจาะกระแทกหมุนกลับ ให้ปิดเครื่องและปรับก้านเดินหน้า/ถอยหลัง (c) ให้ลูกศรสีเหลืองชี้ไปทางด้านหลัง

ถ้าต้องการให้สว่านเจาะกระแทกหมุนเดินหน้า ให้ปิดเครื่องและปรับก้านเดินหน้า/ถอยหลัง (c) ให้ลูกศรสีเหลืองชี้ไปทางด้านหน้า

การติดตั้งอะแดปเตอร์ตัวจับดอกสว่านและตัวจับดอกสว่าน

อุปกรณ์เสริม D25032, D25033, D25133

1. ขันสกรูตัวจับดอกสว่านบนปลายด้านที่มีเกลียวของอะแดปเตอร์ตัวจับดอกสว่าน
2. ใส่ตัวจับดอกสว่านและอะแดปเตอร์สำหรับเชื่อมต่อเข้ากับเครื่องมือ เช่นเดียวกับกรใส่ดอกสว่าน SDS Plus มาตรฐาน
3. การถอดตัวจับดอกสว่าน ให้ทำเช่นเดียวกับการถอดดอกสว่าน SDS Plus มาตรฐาน



คำเตือน: ห้ามใช้ตัวจับดอกสว่านมาตรฐาน
ในโหมดการเจาะกระแทก

การเปลี่ยนตัวจับอุปกรณ์ SDS Plus เป็นตัวจับดอกสว่านแบบไม่ใช้จำปา (รูป 7)

D25134, D25144

1. หมนปลอกล๊อค (m) เข้าไปที่ตำแหน่งปลดล๊อคและดึงตัวจับอุปกรณ์ SDS Plus (f) ออก
2. กัดตัวจับดอกสว่าน (n) ลงบนแกนหมนและหมนปลอกล๊อค (m) เข้าไปที่ตำแหน่งล๊อค

หากต้องการเปลี่ยนตัวจับดอกสว่านแบบไม่ใช้จำปาเป็นตัวจับอุปกรณ์ SDS Plus ขั้นแรกให้ถอดตัวจับดอกสว่านแบบไม่ใช้จำปาออกด้วยวิธีเดียวกับการถอดตัวจับอุปกรณ์ จากนั้น ติดตั้งตัวจับอุปกรณ์ด้วยวิธีเดียวกับการติดตั้งตัวจับดอกสว่านแบบไม่ใช้จำปา ตรวจสอบให้แน่ใจว่าหมนปลอกล๊อคเข้าไปที่ตำแหน่งล๊อค



คำเตือน: ห้ามใช้ตัวจับดอกสว่านมาตรฐาน
ในโหมดการเจาะกระแทก

การเปลี่ยนฝากันฝุ่น (รูป 1)

ฝากันฝุ่น (k) ช่วยป้องกันฝุ่นไม่ให้เข้าไปในระบบกลไกของเครื่องมือ ฝากันฝุ่นที่สึกหรองจะต้องได้รับการเปลี่ยนโดยทันที

1. ดึงตัวจับอุปกรณ์/ปลอกล๊อค (j) กลับ แล้วดึงฝากันฝุ่น (k) ออก
2. ใส่ฝากันฝุ่นชิ้นใหม่เข้าแทนที่
3. ปลอยตัวจับอุปกรณ์/ปลอกล๊อค

การใช้งาน

วิธีการใช้เครื่อง



คำเตือน:

- ทำตามคำแนะนำด้านความปลอดภัยและข้อกำหนดที่บังคับใช้เสมอ
- ระวังตำแหน่งของระบบท่อน้ำและสายไฟ
- ออกแรงกดไปยังเครื่องมือเพียงเบาๆ (ประมาณ 5 กก.) การออกแรงกดมากเกินไป ไม่ได้ช่วยให้สามารถเจาะได้เร็วขึ้น แต่ยังเป็นการลดประสิทธิภาพของเครื่องมือ และทำให้เครื่องมืออายุการใช้งานสั้นลงอีกด้วย
- ห้ามเจาะลึกเกินไป เพื่อป้องกันฝากันฝุ่นชำรุดเสียหาย
- จับเครื่องมือด้วยมือทั้งสองข้างให้แน่น และอยู่ในท่ายืนที่มั่นคง (รูป 9) ใช้งานเครื่องมือโดยมีมือจับเสริมด้านข้างติดตั้งอย่างถูกต้องเสมอ

ตำแหน่งของมือที่ถูกต้อง (รูป 8)



คำเตือน: เพื่อลดความเสี่ยงจากการได้รับบาดเจ็บสาหัส ให้จับเครื่องมือในตำแหน่งที่ถูกต้องดังแสดงในภาพเสมอ



คำเตือน: เพื่อลดความเสี่ยงจากการได้รับบาดเจ็บสาหัส จะต้องจับเครื่องมือให้แน่นทุกครั้ง เพื่อเตรียมพร้อมสำหรับแรงปฏิกิริยาที่เกิดขึ้นแบบทันทีทันใด

ตำแหน่งของการจับที่ถูกต้องคือ มือหนึ่งอยู่บนมือจับหลัก (h) ขณะที่มืออีกข้างหนึ่งอยู่บนมือจับเสริมด้านข้าง (b)

การเปิดและปิดเครื่อง (รูป 1)

1. เปิดเครื่องมือให้ทำงานได้โดยการกดสวิตช์ปรับระดับความเร็ว (a) แรงกดบนสวิตช์ปรับระดับความเร็วจะเป็นตัวกำหนดระดับความเร็วของเครื่องมือ
2. หากต้องการใช้งานอย่างต่อเนื่อง ให้กดสวิตช์ปรับระดับความเร็วค้างไว้
3. หากต้องการหยุดเครื่องมือ ให้ปล่อยสวิตช์

การเจาะกระแทก (รูป 1)

การเจาะโดยใช้ดอกสว่านชนิดแข็ง

1. ดริ่งปุมเลือกโหมดทำงาน (e) ไว้ จากนั้นตั้งสวิตช์เลือกโหมด (d) ไปที่ตำแหน่งการเจาะกระแทก

2. ใส่ดอกสว่านที่เหมาะสม

หมายเหตุ: เพื่อให้ได้ผลดีที่สุด ควรใช้ดอกสว่านหัวคาร์ไบด์คุณภาพสูง

3. ปรับตั้งมือจับเสริมด้านข้างตามที่ต้องการ
4. ถ้าจำเป็น ให้ปรับตั้งความลึกของการเจาะ
5. ทำเครื่องหมายจุดที่ต้องการเจาะรู
6. ดตะดอกสว่านลงบนจุดนั้น แล้วเปิดสวิตช์เครื่องมือ
7. ปิดสวิตช์เครื่องมือทุกครั้งเมื่อทำงานเสร็จแล้ว และก่อนดึงปลั๊กออก

การเจาะโดยใช้ดอกสว่านเจาะคว้าน

1. ดริ่งปุมเลือกโหมดทำงาน (e) ไว้ จากนั้นตั้งสวิตช์เลือกโหมด (d) ไปที่ตำแหน่งการเจาะกระแทก

2. ปรับตั้งมือจับเสริมด้านข้างตามที่ต้องการ

3. ใส่ดอกคอรริงที่เหมาะสม

4. ประกอบดอกสว่านนำศูนย์เข้ากับดอกคอรริง

5. ดตะดอกสว่านนำศูนย์ลงบนจุดที่กำหนด แล้วกดสวิตช์ปรับระดับความเร็ว (a) เจาะเข้าไปจนกระทั่งดอกสว่านเจาะคว้านทะลุผ่านเข้าไปในคอนกรีตประมาณ 1 ซม.

6. หยุดเจาะ แล้วถอดดอกสว่านนำศูนย์ออก ใสดอกสว่านเจาะคว้านกลับเข้าไปในช่องเจาะ แล้วเริ่มเจาะต่อไป

7. เมื่อเจาะผ่านโครงสร้างที่หนักกว่าความลึกของดอกคอรริง ให้ถอนออกจากช่องทรงกระบอกในคอนกรีตหรือแกนคว้านภายในดอกสว่านที่ช่วงชักรบด เพื่อ

หลีกเลี่ยงไม่ให้คอนกรีตรอบๆ ช่องที่เจาะมีการแตกออก ก่อนอื่น ให้ใช้ดอกสว่านนำศูนย์เจาะรูตรงกลางจนทะลุผ่านโครงสร้าง จากนั้นเจาะแกนคว้านเพียงครึ่งหนึ่งเข้ามาจากแต่ละด้าน

- 8. ปิดสวิตช์เครื่องมือทุกครั้งเมื่อทำงานเสร็จแล้ว และก่อนดึงปลั๊กออก

การเจาะป็น (รูป 1)

1. ดริ้งปุมเลือกโหมดทำงาน (e) ไว้ จากนั้นตั้งสวิตช์เลือกโหมด (d) ไปที่ตำแหน่ง "การเจาะป็น"
2. ปฏิบัติตามคำแนะนำข้อใดข้อหนึ่งต่อไปนี้ตามเครื่องมือของคุณ:
 - **D25032, D25033, D25133:** ติดตั้งอะแดปเตอร์ตัวจับดอกสว่าน/ชุดตัวจับดอกสว่าน
 - **D25134, D25144:** เปลี่ยนตัวจับอุปกรณ์ SDS Plus เป็นตัวจับดอกสว่านแบบไม่ใช้จำปา
3. ดำเนินการเช่นเดียวกับการเจาะกระแทก



คำเตือน: ห้ามใช้ตัวจับดอกสว่านมาตรฐานในโหมดการเจาะกระแทก

การขันสกรู (รูป 1)

1. ดริ้งปุมเลือกโหมดทำงาน (e) ไว้ จากนั้นตั้งสวิตช์เลือกโหมด (d) ไปที่ตำแหน่งเจาะป็น
2. เลือกทิศทางการหมุน
3. ปฏิบัติตามคำแนะนำข้อใดข้อหนึ่งต่อไปนี้ตามเครื่องมือของคุณ:
 - **D25032, D25033, D25133:** ใส่อะแดปเตอร์ SDS Plus ชนิดพิเศษสำหรับการขันสกรู เพื่อใช้งานกับหัวขันสกรูหกเหลี่ยม
 - **D25134:** เปลี่ยนตัวจับอุปกรณ์ SDS Plus เป็นตัวจับดอกสว่านแบบไม่ใช้จำปา
4. ใส่หัวขันสกรูที่เหมาะสม เมื่อหมุนสกรูหัวผ่า ให้ใช้ดอกสว่านที่มีปลอกทาบทุกครั้ง
5. ค่อยๆ กดสวิตช์ปรับระดับความเร็ว (a) เพื่อป้องกันไม่ให้หัวสกรูชำรุดเสียหาย ในการหมุนทิศทางย้อนกลับ (ไปทางซ้าย) ความเร็วของเครื่องมือจะลดลงโดยอัตโนมัติเพื่อให้ถอดสกรูได้ง่าย
6. เมื่อสกรูสอดผ่านชิ้นงานแล้ว ให้ปล่อยสวิตช์ปรับระดับความเร็ว ทั้งนี้เพื่อป้องกันไม่ให้หัวสกรูจมเข้าไปในชิ้นงาน

การสกัดและการถาก (รูป 1)

D25033, D25133, D25134, D25144

1. ดริ้งปุมเลือกโหมดทำงาน (e) ไว้ จากนั้นตั้งสวิตช์เลือกโหมด (d) ไปที่ตำแหน่ง "กระแทกอย่างเดียว"
2. ใส่หัวสกัดที่เหมาะสม แล้วหมุนหัวสกัดด้วยมือเพื่อล็อกเข้าไปในตำแหน่งใดตำแหน่งหนึ่ง
3. ปรับตั้งมือจับเสริมด้านข้างตามที่ต้องการ
4. เปิดสวิตช์เครื่องมือและเริ่มทำงาน

- 5. ปิดสวิตช์เครื่องมือทุกครั้งเมื่อทำงานเสร็จแล้ว และก่อนดึงปลั๊กออก



คำเตือน:

- ห้ามใช้เครื่องมือนี้เพื่อผสมหรือบีบของเหลวไวไฟหรือที่สามารถระเหยได้ (เช่น เบนซิน แอลกอฮอล์ เป็นต้น)
- ห้ามผสมหรือกวนของเหลวที่ติดปาย ฉลากของเหลวไวไฟ

การบำรุงรักษา

เครื่องมือไฟฟ้า DEWALT ออกแบบมาเพื่อให้สามารถใช้งานได้อย่างยาวนานต่อเนื่องด้วยการบำรุงรักษาน้อยที่สุด การทำงานที่สร้างควมพึงพอใจอย่างต่อเนื่องจะขึ้นอยู่กับกาตุแลกรษาที่เหมาะสมและการทำความสะอาดอย่างสม่ำเสมอ



คำเตือน: เพื่อลดความเสี่ยงจากการบาดเจ็บ ในหิตเครื่องมือและถอดปลั๊กออกจากแหล่งจ่ายไฟก่อนการประกอบและถอดอุปกรณ์เสริม ก่อนการปรับแต่งหรือเปลี่ยนชุดติดตั้ง หรือขณะทำการซ่อมแซม ตรวจสอบให้แน่ใจว่าสวิตช์อยู่ในตำแหน่ง "ปิด" การเผลอเปิดเครื่องโดยไม่ตั้งใจอาจทำให้เกิดการบาดเจ็บได้

- เครื่องมือนี้ผู้ใช้ไม่สามารถซ่อมเองได้ โปรดนำเครื่องมือไปยังศูนย์บริการ DEWALT ที่ได้รับอนุญาต เมื่อใช้งานเครื่องมือมาแล้วประมาณ 40 ชั่วโมง หากมีปัญหาเกิดขึ้นก่อนกำหนด请拨打 ให้ติดต่อศูนย์บริการ DEWALT ที่ได้รับอนุญาต
- เครื่องมือจะหยุดการทำงานเองโดยอัตโนมัติ หากแรงดันชำรุดสึกหรอ

แปรงถ่าน

DEWALT ใช้ระบบแปรงถ่านชั้นสูงซึ่งจะหยุดสว่านโดยอัตโนมัติเมื่อถ่านหมด ซึ่งจะป้องกันไม่ให้เกิดการชำรุดเสียหายร้ายแรงกับมอเตอร์ ชุดประกอบถ่านเก็บไฟชุดใหม่มีจำหน่ายที่ศูนย์บริการ DEWALT ที่ได้รับอนุญาต ใช้ชิ้นส่วนอะไหล่ที่เหมือนกันทุกครั้ง



การหล่อลื่น

ไม่ต้องใช้สารหล่อลื่นเพิ่มเติมกับเครื่องมือไฟฟ้านี้ อุปกรณ์เสริมและอุปกรณ์ประกอบที่ใช้จะต้องทำการหล่อลื่นเป็นประจำ บริเวณรอบๆ จุดต่อของอุปกรณ์ SDS Plus



การทำความสะอาด



คำเตือน: หมั่นเป่าสิ่งสกปรกและฝุ่นละอองที่สะสมออกจากตัวเครื่องเป็นประจำด้วยลมแห้ง เนื่องจากกลีงสกปรกมีกสะสมอยู่ภายใน

และรอบๆ ช่องระบายอากาศ สวมอุปกรณ์ป้องกันดวงตาและหน้ากากกันฝุ่นที่ได้มาตรฐานในขณะที่ดำเนินการขั้นตอนนี้



คำเตือน: ห้ามใช้สารที่เป็นตัวทำละลายหรือสารเคมีที่มีฤทธิ์กัดกร่อนรุนแรงอื่นๆ ทำความสะอาดชิ้นส่วนของเครื่องมือที่ไม่ใช่โลหะ สารเคมีเหล่านี้อาจส่งผลต่อวัสดุที่ใช้ในชิ้นส่วนเหล่านี้ ใช้เฉพาะผ้าขนนําสบอุ่นๆ เท่านั้น อย่าให้มีของเหลวใดๆ เข้าไปในเครื่องมือเด็ดขาด ห้ามจุ่มส่วนใดๆ ของเครื่องมือลงในของเหลวเด็ดขาด

ข้อมูลการติดต่อโดยละเอียดแสดงบนทางอินเทอร์เน็ตที่ www.2helpU.com

อุปกรณ์เสริม



คำเตือน: เนื่องจากอุปกรณ์เสริมอื่นนอกเหนือจากที่ DEWALT, มีจำหน่าย ไม่ได้ผ่านการทดสอบร่วมกับผลิตภัณฑ์นี้ จึงอาจเป็นอันตรายหากใช้อุปกรณ์เสริมดังกล่าวร่วมกับเครื่องมือนี้ เพื่อเป็นการลดความเสี่ยงจากการได้รับบาดเจ็บ ให้ใช้อุปกรณ์เสริมเฉพาะที่ DEWALT แนะนำให้ใช้ร่วมกับผลิตภัณฑ์เท่านั้น

ดอกสว่านและดอกสกัด SDS Plus ชนิดต่างๆ มีจำหน่ายเป็นอุปกรณ์เสริม

โปรดติดต่อตัวแทนจำหน่ายหากต้องการข้อมูลเพิ่มเติมเกี่ยวกับอุปกรณ์เสริมที่เหมาะสม

การปกป้องสิ่งแวดล้อม



การเก็บรวบรวมแบบคัดแยก ห้ามทิ้งผลิตภัณฑ์นี้ร่วมกับขยะในครัวเรือนปกติ

หากวันหนึ่งคุณจำเป็นต้องเปลี่ยนผลิตภัณฑ์ DEWALT ของคุณ หรือเครื่องนี้ไม่เป็นประโยชน์สำหรับคุณอีกต่อไป อย่าทิ้งผลิตภัณฑ์นี้ร่วมกับขยะในครัวเรือน โปรดจัดการกับผลิตภัณฑ์นี้เพื่อการเก็บรวบรวมแบบคัดแยก



การเก็บรวบรวมแบบคัดแยกสำหรับบรรจุภัณฑ์และผลิตภัณฑ์ที่ใช้แล้วทำให้สามารถรีไซเคิลวัสดุและนำมาใช้งานอีกครั้ง การนำวัสดุรีไซเคิลมาใช้ใหม่จะช่วยป้องกันมลพิษต่อสิ่งแวดล้อมและลด ความต้องการวัตถุดิบ

ตามกฎหมายบางท้องถิ่นอาจมีการจัดเตรียมสถานที่สำหรับการเก็บรวบรวมแบบคัดแยกอุปกรณ์ไฟฟ้าที่ใช้ภายในครัวเรือนไว้ ณ แหล่งรับขยะของเทศบาล หรืออาจมีการรับอุปกรณ์ใช้แล้วจากผู้ค้าปลีกในกรณีที่คุณซื้อผลิตภัณฑ์ชิ้นใหม่

คุณสามารถตรวจสอบที่อยู่ของตัวแทนซ่อมที่ได้รับอนุญาตที่อยู่ใกล้คุณมากที่สุดได้โดยการติดต่อสำนักงานของ DEWALT ในพื้นที่ของคุณตามที่อยู่ที่เราในคู่มือนี้ นอกจากนี้ ยังมีรายชื่อตัวแทนซ่อมที่ได้รับอนุญาตของ DEWALT และข้อมูลการบริการหลังการขายของเรา และ

MÁY KHOAN BÚA CÔNG SUẤT CAO

D25032, D25033, D25132, D25133, D25134, D25143, D25144

Xin chúc mừng!

Bạn đã chọn dụng cụ DEWALT. Qua nhiều năm kinh nghiệm, những đổi mới và phát triển sản phẩm một cách toàn diện đã giúp DEWALT trở thành một trong những đối tác đáng tin cậy nhất đối với người sử dụng dụng cụ điện cầm tay chuyên nghiệp.

Thông số kỹ thuật

		D25032	D25033	D25132	D25133	D25134	D25143	D25144
Điện áp	V	220-240	220-240	220-240	220-240	220-240	220-240	220-240
Công suất đầu vào	W	710	710	800	800	800	900	900
Tốc độ không tải	phút ⁻¹	0-1550	0-1550	0-1500	0-1500	0-1500	0-1450	0-1450
Số lần đập không tải/phút	bpm	0-5680	0-5680	0-5500	0-5500	0-5540	0-5350	0-5350
Lực đập đơn (NON EPTA)	J	2,1	2,1	2,9	2,9	3,0	3,2	3,2
Biên độ khoan tối đa đối với thép/gỗ/bê tông	mm	13/30/22	13/30/22	13/30/26	13/30/26	13/30/26	13/30/28	13/30/28
Số vị trí đục xoay		--	44	--	44	48	48	48
Công suất khoan lõi đối với gạch mềm	mm	50	50	50	50	65	65	65
Đầu gài mũi khoan		SDS Plus	SDS Plus	SDS Plus	SDS Plus	SDS Plus	SDS Plus	SDS Plus
Đường kính vòng điều chỉnh	mm	43	43	43	43	54	54	54
Trọng lượng	kg	2,5	2,5	2,6	2,6	3,0	3,1	3,1

Định nghĩa: Hướng dẫn an toàn

Các định nghĩa dưới đây mô tả mức độ nghiêm trọng của từng ký hiệu. Vui lòng đọc hướng dẫn sử dụng và chú ý đến các ký hiệu này.



NGUY HIỂM: Chỉ tình huống nguy hiểm sắp xảy ra mà, nếu không phòng tránh, sẽ gây tử vong hoặc chấn thương nghiêm trọng.



CẢNH BÁO: Chỉ tình huống nguy hiểm tiềm ẩn mà, nếu không phòng tránh, có thể gây tử vong hoặc chấn thương nghiêm trọng.



THẬN TRỌNG: Chỉ tình huống nguy hiểm tiềm ẩn mà, nếu không phòng tránh, có thể gây chấn thương nhẹ hoặc vừa.

LƯU Ý: Chỉ một hành động không liên quan đến chấn thương cá nhân mà, nếu không phòng tránh, có thể gây hư hỏng tài sản.



Biểu thị nguy cơ bị điện giật.



Biểu thị nguy cơ hỏa hoạn.



CẢNH BÁO: Để giảm nguy cơ chấn thương, hãy đọc hướng dẫn sử dụng này.

Cảnh báo chung về an toàn cho dụng cụ điện cầm tay



CẢNH BÁO! Đọc kỹ tất cả những hướng dẫn và cảnh báo về an toàn. Việc không tuân thủ các cảnh báo và hướng dẫn này có thể dẫn đến điện giật, cháy và/hoặc chấn thương nghiêm trọng.

LƯU LẠI TẤT CẢ CÁC HƯỚNG DẪN VÀ CẢNH BÁO AN TOÀN ĐỂ THAM KHẢO SAU NÀY

Thuật ngữ “dụng cụ điện cầm tay” trong phần cảnh báo khi thiết bị chạy bằng điện nguồn (có dây điện) hoặc thiết bị chạy bằng pin (không có dây điện).

1) AN TOÀN NƠI LÀM VIỆC

- Giữ cho nơi làm việc luôn sạch sẽ và đủ ánh sáng. Những khu vực bừa bộn hoặc thiếu ánh sáng dễ gây tai nạn.
- Không vận hành dụng cụ điện cầm tay trong các môi trường dễ cháy nổ, như các môi trường có chất lỏng, khí ga hoặc bụi dễ cháy. Dụng cụ điện cầm tay tạo ra các tia lửa điện có thể gây cháy bụi hoặc bốc khói.
- Không cho trẻ em và những người quan sát lại gần khi đang vận hành dụng cụ điện cầm tay.

Những lúc xao lãng có thể khiến bạn mất kiểm soát.

2) AN TOÀN ĐIỆN

- a) **Phích cắm của dụng cụ điện cầm tay phải vừa với ổ cắm. Không được sửa đổi phích cắm dưới bất kỳ hình thức nào. Không được sử dụng các phích cắm tiếp hợp với những dụng cụ điện cầm tay có nối đất. Phích cắm nguyên trạng và ổ cắm phù hợp sẽ giúp giảm nguy cơ bị điện giật.**
- b) **Tránh tiếp xúc với các bề mặt được nối đất như đường ống, lò sưởi, bếp nướng và tủ lạnh. Nguy cơ bị điện giật sẽ cao hơn nếu cơ thể bạn nối đất.**
- c) **Không để các dụng cụ điện cầm tay ngoài trời mưa hoặc ở nơi ẩm ướt. Nước vào trong dụng cụ điện cầm tay sẽ làm tăng nguy cơ bị điện giật.**
- d) **Không dùng dây điện cho các mục đích khác. Tuyệt đối không sử dụng dây điện để mang, kéo hoặc rút phích cắm dụng cụ điện cầm tay. Để dây điện cách xa nguồn nhiệt, dầu mỡ, các cạnh sắc hoặc các bộ phận chuyển động. Dây điện bị hỏng hoặc bị vướng sẽ làm tăng nguy cơ bị điện giật.**
- e) **Khi vận hành dụng cụ điện cầm tay ngoài trời, hãy sử dụng dây nối dài phù hợp để sử dụng ngoài trời. Sử dụng dây điện phù hợp để sử dụng ngoài trời sẽ giúp giảm nguy cơ bị điện giật.**
- f) **Nếu bắt buộc phải vận hành dụng cụ điện cầm tay ở nơi ẩm ướt, hãy sử dụng nguồn được bảo vệ bởi thiết bị ngắt mạch tự động (RCD). Sử dụng RCD giúp giảm nguy cơ bị điện giật.**

3) AN TOÀN CÁ NHÂN

- a) **Hãy tập trung, chú ý vào những gì bạn đang làm và tỉnh táo khi vận hành dụng cụ điện cầm tay. Không được sử dụng công cụ điện khi bạn đang mệt hoặc đang bị ảnh hưởng của ma túy, rượu hoặc thuốc. Chỉ một khoảnh khắc mất tập trung trong khi vận hành dụng cụ điện cầm tay cũng có thể dẫn đến chấn thương cá nhân nghiêm trọng.**
- b) **Sử dụng thiết bị bảo hộ cá nhân. Luôn đeo kính bảo hộ. Thiết bị bảo hộ như mặt nạ chống bụi, giày chống trượt, mũ cứng hoặc thiết bị bảo vệ tai - nếu được sử dụng ở những điều kiện phù hợp - sẽ giúp giảm các chấn thương cá nhân.**
- c) **Tránh bật máy không chủ định. Đảm bảo rằng công tắc ở vị trí tắt trước khi nối với nguồn điện và/hoặc pin, khi cầm hoặc mang dụng cụ. Việc cầm dụng cụ điện cầm tay khi ngón tay đặt vào công tắc hoặc sạc pin cho dụng cụ điện cầm tay khi công tắc đang bật có thể gây tai nạn.**
- d) **Hãy tháo hết khóa điều chỉnh hoặc cờ lê trước khi bật dụng cụ điện cầm tay. Việc không tháo cờ lê hoặc khóa điều chỉnh ra khỏi dụng cụ điện cầm tay có thể gây ra chấn thương cá nhân.**

- e) **Không được với tay. Hãy đứng ở tư thế thích hợp và luôn giữ thăng bằng. Điều đó giúp kiểm soát dụng cụ điện cầm tay tốt hơn trong các tình huống bất ngờ.**
 - f) **Mặc quần áo phù hợp. Không mặc quần áo rộng hoặc đeo đồ trang sức. Giữ cho tóc, quần áo và găng tay tránh xa các bộ phận chuyển động. Quần áo rộng, đồ trang sức hoặc tóc dài có thể bị mắc vào các bộ phận chuyển động.**
 - g) **Nếu các thiết bị được cung cấp để nối các phương tiện hút hoặc gom bụi, hãy đảm bảo những thiết bị này được nối và sử dụng đúng cách. Sử dụng thiết bị gom bụi có thể giảm các nguy cơ liên quan đến bụi.**
- 4) SỬ DỤNG VÀ BẢO QUẢN DỤNG CỤ ĐIỆN CẦM TAY**
- a) **Sử dụng dụng cụ điện cầm tay phù hợp. Sử dụng dụng cụ điện cầm tay phù hợp với mục đích của bạn. Thiết bị điện phù hợp sẽ giúp cho công việc tốt hơn và an toàn hơn theo đúng tốc độ được thiết kế.**
 - b) **Không sử dụng dụng cụ điện cầm tay nếu công tắc không bật và tắt được. Những dụng cụ điện cầm tay không điều khiển được bằng công tắc đều rất nguy hiểm và cần phải được sửa chữa.**
 - c) **Rút phích cắm dụng cụ điện cầm tay khỏi nguồn điện và/hoặc pin trước khi thực hiện các điều chỉnh, thay đổi phụ kiện hoặc cất giữ dụng cụ. Các biện pháp an toàn phòng ngừa đó giúp giảm nguy cơ khởi động dụng cụ điện cầm tay một cách tình cờ.**
 - d) **Bảo quản các dụng cụ điện cầm tay không sử dụng xa tầm tay trẻ em và không cho phép những người không quen với dụng cụ điện cầm tay hoặc những hướng dẫn này vận hành dụng cụ điện cầm tay. Dụng cụ điện cầm tay sẽ trở nên rất nguy hiểm khi được sử dụng bởi những người chưa được huấn luyện.**
 - e) **Bảo trì dụng cụ điện cầm tay. Kiểm tra các bộ phận di chuyển xem có bị lắp lệch hoặc kẹt không, các bộ phận có bị vỡ không và bất kỳ tình trạng nào khác có thể ảnh hưởng đến việc vận hành dụng cụ điện cầm tay. Nếu dụng cụ điện cầm tay bị hỏng, hãy sửa chữa trước khi sử dụng. Rất nhiều tai nạn xảy ra do công tác bảo trì các dụng cụ điện cầm tay kém.**
 - f) **Đảm bảo các thiết bị cất luôn sắc và sạch sẽ. Các dụng cụ cất được bảo trì đúng cách với các cạnh sắc sẽ ít bị kẹt hơn và dễ điều khiển hơn.**
 - g) **Sử dụng dụng cụ điện cầm tay, các phụ kiện và mũi khoan, v.v. theo các hướng dẫn này, chú ý đến các điều kiện làm việc và công việc cần thực hiện. Sử dụng dụng cụ điện cầm tay sai mục đích có thể gây nguy hiểm.**

5) BẢO DƯỠNG

- a) **Hãy để nhân viên bảo dưỡng có chuyên môn tiến hành bảo dưỡng dụng cụ điện cầm tay cho bạn và chỉ sử dụng các bộ phận thay thế chính hãng.** Điều này giúp đảm bảo độ an toàn của dụng cụ điện cầm tay đó.

Quy tắc an toàn cụ thể bổ sung cho máy khoan búa xoay

- **Mang thiết bị bảo vệ tai.** Việc tiếp xúc với tiếng ồn có thể làm giảm thính lực.
- **Sử dụng các tay cầm phụ kèm theo dụng cụ.** Việc mất khả năng kiểm soát có thể gây chấn thương cá nhân.
- **Chỉ cầm dụng cụ điện cầm tay ở phần bề mặt tay cầm cách điện khi thực hiện thao tác mà phụ kiện cắt có thể tiếp xúc với hệ thống dây điện chìm hoặc dây điện của chính dụng cụ.** Tiếp xúc với dây điện "có điện" sẽ làm cho các bộ phận kim loại hở của dụng cụ trở thành "có điện" và khiến người vận hành bị điện giật.
- **Dùng kẹp hay áp dụng một biện pháp thực tế khác nhằm cố định và đỡ phôi gia công trên bàn máy.** Giữ phôi bằng tay hay dựa vào người bạn đều làm cho phôi không vững và có thể dẫn tới mất kiểm soát.
- **Đeo kính bảo hộ an toàn hoặc các thiết bị bảo vệ mắt khác.** Công tác khoan búa có thể làm bắn ra các mảnh vụn. Những mảnh vụn này có thể gây ra những tổn thương lâu dài cho mắt. Đeo mặt nạ chống bụi hoặc khẩu trang cho những hoạt động phát sinh bụi. Cần có thiết bị bảo vệ tai cho hầu hết các hoạt động.
- **Luôn cầm chắc dụng cụ. Không có vận hành dụng cụ khi không cầm được dụng cụ bằng cả hai tay.** Khuyến nghị rằng nên sử dụng tay cầm bên mọi lúc. Vận hành dụng cụ này bằng một tay sẽ gây mất kiểm soát. Việc đục qua hoặc gặp vật liệu cứng như thanh cốt thép cũng có thể gây nguy hiểm. Vận chặt tay cầm bên chắc chắn trước khi sử dụng.
- **Không vận hành dụng cụ này trong khoảng thời gian dài.** Rung chấn từ hoạt động của khoan búa có thể có hại cho bàn tay và cánh tay bạn. Sử dụng găng tay để có thêm lớp bảo vệ và hạn chế tiếp xúc bằng cách thường xuyên nghỉ giải lao.
- **Không tự điều chỉnh lại mũi khoan.** Việc điều chỉnh lại mũi khoan nên được chuyên gia ủy quyền thực hiện. Mũi khoan được điều chỉnh lại không đúng cách có thể gây chấn thương.
- **Đeo găng tay khi vận hành công cụ hoặc thay mũi khoan.** Các bộ phận kim loại tiếp cận được trên công cụ và mũi khoan có thể trở nên rất nóng trong quá trình vận hành. Mũi khoan nhỏ làm bằng vật liệu bị vỡ có thể gây ảnh hưởng xấu khi dùng tay không.

- **Tuyệt đối không đặt dụng cụ xuống cho đến khi mũi khoan dừng hẳn.** Mũi khoan chuyển động có thể gây ra chấn thương.
- **Không dùng búa đập vào mũi khoan bị kẹt để tháo chúng ra.** Các mảnh vụn kim loại hoặc mặt vật liệu có thể văng ra và gây thương tích.
- **Mũi khoan bị mòn ít có thể được mài sắc lại bằng cách mài.**
- **Bảo quản dây điện tránh xa mũi khoan đang quay. Không quấn dây điện xung quanh bất kỳ bộ phận nào của cơ thể.** Dây điện quấn xung quanh mũi khoan đang quay có thể gây ra chấn thương cá nhân và mất kiểm soát.

Các nguy cơ khác

Có thể xảy ra các nguy cơ sau khi dùng máy khoan búa xoay:

- Chấn thương do chạm vào các bộ phận quay hoặc các bộ phận nóng của dụng cụ

Kể cả việc áp dụng các quy tắc an toàn liên quan và dùng các thiết bị an toàn cũng không thể tránh được một số nguy cơ còn lại. Những nguy cơ này gồm:

- Suy giảm thính lực.
- Nguy cơ bị chèn các ngón tay khi thay phụ kiện.
- Các nguy cơ sức khỏe do hít phải bụi khi làm việc với bê tông và/hoặc gạch vữa.

Ký hiệu trên dụng cụ

Trên máy có các ký hiệu sau:



Đọc kỹ hướng dẫn sử dụng trước khi sử dụng.



Đeo thiết bị bảo vệ tai.



Đeo kính bảo hộ.

VỊ TRÍ MÃ NGÀY (HÌNH 1)

Mã ngày (1), bao gồm cả năm sản xuất, được in trên vỏ máy.

Ví dụ:

2014 XX XX

Năm sản xuất

Thiết bị trong hộp

Hộp sản phẩm bao gồm:

1 máy khoan búa công suất cao

- 1 tay cầm bên
- 1 thanh điều chỉnh độ sâu
- 1 vali phụ kiện
- 1 đầu kẹp không khóa (D25144)
- 1 hướng dẫn sử dụng

- Kiểm tra dụng cụ, các bộ phận hoặc phụ kiện xem có bị hư hỏng do quá trình vận chuyển hay không.
- Dành thời gian đọc kỹ và hiểu rõ hướng dẫn sử dụng trước khi vận hành máy.

Mô tả (hình 1, 5, 8)



CẢNH BÁO: Không sửa đổi dụng cụ điện cầm tay hay bất kỳ bộ phận nào của máy. Việc sửa đổi có thể làm hỏng dụng cụ điện cầm tay hoặc gây chấn thương cá nhân.

- a. Công tắc điều chỉnh tốc độ
- b. Tay cầm chính
- c. Nút đảo chiều thuận/ngược
- d. Công tắc chọn chế độ
- e. Nút chọn chế độ
- f. Đầu gài mũi khoan SDS Plus
- g. Thanh điều chỉnh độ sâu
- h. Tay cầm bên
- i. Nút giữ thanh điều chỉnh độ sâu
- j. Khớp nối
- k. Nắp che bụi
- l. Mã ngày
- m. Vòng khóa (D25144)
- n. Đầu kẹp không khóa (D25134/D25144)
- o. Nút cố định tốc độ.

MỤC ĐÍCH SỬ DỤNG

Máy khoan búa xoay công suất cao D25032 được thiết kế cho để khoan, khoan búa và vặn vít chuyên nghiệp. Máy khoan búa xoay công suất cao D25033, D25133 và D25144 được thiết kế để khoan, khoan búa, vặn vít chuyên nghiệp và đục nhẹ.

KHÔNG sử dụng máy ở những nơi ẩm ướt hoặc có chất lỏng hoặc khí dễ cháy.

Những chiếc khoan búa này là dụng cụ điện cầm tay chuyên nghiệp. **KHÔNG** để trẻ em tiếp xúc với dụng cụ. Cần phải có người giám sát khi dụng cụ này được vận hành bởi người chưa có kinh nghiệm.

- **Trẻ em và người không đủ sức khỏe.** Thiết bị này không được thiết kế cho trẻ em hoặc người không đủ sức khỏe sử dụng mà không có sự giám sát.
- Không cho phép những người (bao gồm cả trẻ em) bị suy giảm năng lực thể chất, trí tuệ hoặc cảm giác, hay

người thiếu kinh nghiệm, kiến thức hoặc kỹ năng sử dụng dụng cụ điện cầm tay này, trừ khi có sự giám sát của người chịu trách nhiệm về vấn đề an toàn của họ. Không được để trẻ em một mình với sản phẩm này.

Khớp ly hợp giới hạn mô men

Tất cả máy khoan búa xoay đều được trang bị khớp ly hợp giới hạn mô men làm giảm phản ứng mô men tối đa được truyền vào người vận hành trong trường hợp kẹt mũi khoan. Tính năng này cũng giúp động cơ bánh răng và động cơ điện không bị dừng đột ngột. Khớp ly hợp giới hạn mô men đã được đặt tại nhà máy và không điều chỉnh được.

An toàn điện

Động cơ điện được thiết kế để sử dụng tại một mức điện áp duy nhất. Luôn kiểm tra xem nguồn điện có tương ứng với điện thế trên biển thông số định mức hay không.



THIẾT BỊ Your DEWALT đã được cách điện kép theo tiêu chuẩn IEC 60745; do vậy không cần dây nối đất.



CẢNH BÁO: Các thiết bị 115 V phải được vận hành qua máy biến áp cách điện an toàn có lưới tiếp đất giữa bó dây chính và bó dây phụ.

Nếu dây cấp điện bị hỏng, phải thay bằng dây mới được cung cấp riêng tại cơ sở bảo dưỡng của DEWALT.

Sử dụng dây nối dài

Nếu cần dây điện nối dài, hãy sử dụng loại dây 3 lõi được chấp nhận là phù hợp với công suất đầu vào của dụng cụ này (xem phần hồng số kỹ thuật). Kích thước dây dẫn tối thiểu là 1,5 mm²; chiều dài tối đa là 30 m.

Khi sử dụng tang dây, luôn trải hết dây ra.

LẮP RÁP VÀ ĐIỀU CHỈNH



CẢNH BÁO: Để giảm nguy cơ chấn thương, hãy tắt dụng cụ và ngắt nguồn điện trước khi lắp và tháo phụ kiện trước khi điều chỉnh hoặc thay đổi chế độ cài đặt hoặc khi tiến hành sửa chữa. Đảm bảo công tắc khởi động ở vị trí OFF. Việc bắt ngờ khởi động cũng có thể gây chấn thương.

Lựa chọn chế độ vận hành (hình 2)

Có thể sử dụng dụng cụ ở các chế độ vận hành sau:



Khoan xoay: để vặn vít và khoan thép, gỗ và nhựa



Khoan búa: để khoan bê tông và tường.
Xoay mũi khoan: vị trí không hoạt động chỉ

được sử dụng để xoay mũi khoan phẳng vào vị trí mong muốn



Chỉ đập búa (D25033, D25133, D25134, D25144): để đẽo, đục và phá nhẹ. Ở chế độ này, bạn cũng có thể sử dụng dụng cụ như một đòn bẩy để gỡ mũi khoan bị kẹt.

1. Để chọn chế độ vận hành, ấn nút chọn chế độ (e) rồi xoay công tắc chọn chế độ (d) cho tới khi chỉ vào biểu tượng chế độ cần thiết.
2. Nhấn nút chọn chế độ rồi kiểm tra xem công tắc chọn chế độ đã được khóa vào đúng vị trí hay chưa.



CẢNH BÁO: Không chọn chế độ vận hành khi dụng cụ đang chạy.

Ký hiệu chọn chế độ khoan (hình 2)

Máy khoan có thể chọn để khoan ở nhiều chế độ chức năng khác nhau

1. Ấn nút chọn chế độ (e) rồi xoay nút chọn chế độ (d) cho tới khi chỉ vào vị trí “khoan thường/khoan búa”.
2. Xoay tên tới vị trí mong muốn.
3. Xoay công tắc chọn chế độ (d) tới vị trí “Đục”.
4. Vận nút chọn chế độ cho tới khi khóa vào vị trí.

Tháo và lắp đầu gài SDS Plus (hình 3)

Dụng cụ này sử dụng đầu gài SDS Plus (tham khảo trang rời trong hình 3 để xem mặt cắt của chuỗi khoan SDS Plus). Chỉ nên sử dụng các phụ kiện chuyên nghiệp.

1. Lau và tra dầu vào chuỗi khoan/đục.
2. Lắp chuỗi khoan vào đầu gài mũi khoan SDS Plus (f).
3. Đẩy mũi khoan xuống rồi xoay nhẹ cho tới khi mũi khoan khớp vào các khe.
4. Kéo mũi khoan/đục ra để kiểm tra xem đã khóa chặt chưa. Chức năng đập búa đòi hỏi mũi khoan/đục phải có khả năng di chuyển dọc theo trục vài centimet khi bị khóa vào trong đầu giữ mũi khoan/đục.
5. Để tháo mũi khoan/đục, kéo khớp nối đầu giữ mũi khoan (j) ra phía sau rồi kéo mũi khoan ra.



CẢNH BÁO: Luôn đeo găng tay khi bạn thay phụ kiện. Các bộ phận kim loại hở trên dụng cụ và phụ kiện có thể trở nên rất nóng trong quá trình vận hành.

Lắp tay cầm bên (hình 4)

Tay cầm bên (h) có thể được lắp để phù hợp với cả người dùng thuận tay trái và phải.



CẢNH BÁO: Không sử dụng dụng cụ khi chưa lắp tay cầm bên đúng cách.

1. Vận lỏng tay cầm bên.
2. **Đối với người dùng thuận tay phải:** Trượt móc tay cầm bên qua vòng điều chỉnh đằng sau đầu giữ mũi đục, cầm bên trái.
Đối với người dùng thuận tay trái: Trượt móc tay cầm bên qua vòng khóa phía sau đầu giữ mũi đục, cầm ở bên phải.
3. Xoay tròn tay cầm bên vào vị trí mong muốn rồi vận chặt tay cầm.

Thiết lập độ sâu khoan (hình 5)

1. Lắp mũi khoan cần dùng như được mô tả ở trên.
2. Ấn nút giữ thanh điều chỉnh độ sâu (i) và duy trì trạng thái này.
3. Lắp thanh điều chỉnh độ sâu (g) qua lỗ trong kẹp chặn độ sâu.
4. Điều chỉnh độ sâu khoan như trong hình vẽ.
5. Nhả kẹp chặn độ sâu.

Nút đảo chiều (hình 6)

Tay gạt thuận/ngịch (c) được sử dụng để đảo chiều khoan búa để rút chốt hoặc mũi khoan bị kẹt ra khi chỉ thực hiện chức năng khoan.



THẬN TRỌNG: Khi đảo chiều để loại bỏ mũi khoan bị kẹt, sẵn sàng cho mô men phản ứng mạnh.

Để đảo chiều khoan búa, hãy tắt khoan và điều chỉnh tay gạt thuận/ngịch (c) sao cho mũi tên màu vàng chỉ về phía sau.

Để định vị cần cho vận hành về phía trước, tắt máy khoan búa và điều chỉnh cần đảo chiều thuận/ngịch (c) sao cho mũi tên màu vàng chỉ về phía trước.

Lắp bộ phận nối đầu kẹp và đầu kẹp

PHỤ KIỆN TỰY CHỌN
D25032, D25033, D25133

1. Vận đầu kẹp vào đầu có ren của bộ phận nối đầu kẹp.
2. Lắp đầu kẹp và bộ phận nối đầu kẹp đã lắp vào dụng cụ giống như cách lắp mũi khoan SDS Plus chuẩn.
3. Để tháo đầu kẹp, thực hiện theo cách tháo mũi khoan SDS Plus chuẩn.



CẢNH BÁO: Tuyệt đối không sử dụng đầu kẹp chuẩn ở chế độ khoan búa.

Thay thế đầu giữ mũi khoan SDS Plus bằng đầu kẹp không khóa (hình 7)

D25134, D25144

1. Xoay vòng khóa (m) vào vị trí mở khóa rồi kéo đầu giữ mũi khoan SDS Plus (f) ra.

2. Đẩy đầu kẹp không khóa (n) vào trục máy, sau đó xoay vòng khóa (m) vào vị trí khóa.

Để thay thế đầu kẹp không khóa bằng đầu giữ mũi khoan SDS Plus, trước tiên hãy tháo đầu kẹp không khóa giống như cách bạn vừa tháo đầu giữ mũi khoan. Sau đó, lắp đầu giữ mũi khoan vào giống như cách bạn lắp đầu kẹp không khóa, đảm bảo xoay vòng khóa vào vị trí khóa.



CẢNH BÁO: *Tuyệt đối không sử dụng đầu kẹp chuẩn ở chế độ khoan búa.*

Thay thế nắp che bụi (hình 1)

Nắp che bụi (k) ngăn bụi bay vào bên trong dụng cụ. hay nắp chắn bụi đã mòn ngay lập tức.

1. Kéo đầu giữ mũi khoan/ống kẹp (j) rồi kéo nắp chắn bụi (k) ra.
2. Lắp nắp chắn bụi mới.
3. Nhả đầu giữ mũi khoan/ống kẹp.

VẬN HÀNH

Hướng dẫn sử dụng



CẢNH BÁO:

- Luôn tuân theo các hướng dẫn và quy tắc hiện hành về an toàn.
- Nắm rõ vị trí đường ống và đường dây.
- Chỉ tác dụng lực nhẹ lên dụng cụ (khoảng 5 kg). Lực quá mạnh sẽ không làm tăng tốc độ khoan mà sẽ làm giảm hiệu suất và tuổi thọ của dụng cụ.
- Không khoan hoặc đâm xuyên quá sâu để tránh hư hỏng nắp chắn bụi.
- Luôn cầm chắc dụng cụ bằng cả hai tay và đảm bảo đứng ở tư thế chắc chắn (hình 9). Chỉ vận hành dụng cụ khi đã lắp tay cầm bên đúng cách.

Vị trí tay phù hợp (hình 8)



CẢNH BÁO: Để giảm nguy cơ chấn thương cá nhân nghiêm trọng, **LUÔN** để tay ở vị trí phù hợp như trong hình vẽ.



CẢNH BÁO: Để giảm nguy cơ chấn thương cá nhân nghiêm trọng, **LUÔN** giữ chặt tay để tránh trường hợp bị giật lại đột ngột.

Vị trí tay phù hợp yêu cầu một tay đặt lên tay cầm bên (h), còn tay kia đặt lên tay cầm chính (b).

Bật và tắt (hình 1)

1. Ấn công tắc điều chỉnh tốc độ (a) để vận hành dụng cụ. Áp lực tác dụng lên công tắc điều chỉnh tốc độ quyết định tốc độ của dụng cụ.

2. Để khoan liên tục, nhấn và giữ công tắc điều chỉnh tốc độ.
3. Để dừng dụng cụ, nhả tay ra khỏi công tắc.

Khoan búa (hình 1)

KHOAN BẰNG MŨI KHOAN CỨNG

1. Nhấn nút chọn chế độ (e), sau đó xoay công tắc chọn chế độ (d) tới vị trí khoan búa.
2. Lắp mũi khoan phù hợp.

LƯU Ý: Để đạt được hiệu quả cao nhất, hãy sử dụng mũi khoan có đầu bằng cacbua chất lượng cao.
3. Điều chỉnh tay cầm bên (h) nếu cần.
4. Nếu cần, điều chỉnh độ sâu khoan.
5. Vạch điểm cần khoan lỗ.
6. Đặt mũi khoan vào điểm cần khoan rồi bật dụng cụ.
7. Luôn tắt dụng cụ khi kết thúc công việc và trước khi rút nguồn.

KHOAN BẰNG MŨI KHOAN LỖI

1. Nhấn nút chọn chế độ (e), sau đó xoay công tắc chọn chế độ (d) tới vị trí khoan búa.
2. Điều chỉnh tay cầm bên (h) nếu cần.
3. Lắp mũi khoan lỗi phù hợp.
4. Lắp khoan định tâm vào mũi khoan lỗi.
5. Đặt khoan định tâm vào điểm cần khoan rồi nhấn công tắc bật/tắt (a). Khoan cho tới khi lõi xuyên vào bê tông khoảng 1 cm.
6. Dừng khoan, sau đó tháo khoan định tâm. Đút mũi khoan lỗi vào lỗ và tiếp tục khoan.
7. Khi khoan xuyên qua cấu trúc dày hơn độ sâu của mũi khoan lỗi, phá vỡ hình trụ tròn bê tông hoặc lõi bên trong mũi khoan ở các một cách thường xuyên. Để tránh vô tình làm vỡ bê tông quanh lỗ khoan, trước tiên hãy khoan lỗ có đường kính bằng với đường kính mũi khoan tâm xuyên qua cấu trúc. Sau đó, khoan nửa lỗ lõi từ mỗi bên.
8. Luôn tắt dụng cụ khi kết thúc công việc và trước khi rút nguồn.

Khoan xoay (hình 1)

1. Nhấn nút chọn chế độ (e) rồi xoay công tắc chọn chế độ (d) đến vị trí “khoan xoay”.
2. Thực hiện một trong hai hướng dẫn bên dưới tùy thuộc vào dụng cụ của bạn:
 - **D25032, D25033, D25133:** Lắp bộ phận nối đầu kẹp/cụm đầu kẹp.
 - **D25134, D25144:** Thay thế đầu giữ mũi khoan SDS Plus bằng đầu kẹp không khóa.

- Thực hiện như phần mô tả dành cho khoan búa.



CẢNH BÁO: Tuyệt đối không sử dụng đầu kẹp chuẩn ở chế độ khoan búa.

Bắt vít (hình 1)

- Nhấn nút chọn chế độ (e) rồi xoay công tắc chọn chế độ (d) đến vị trí khoan xoay.
- Chọn hướng quay.
- Thực hiện một trong hai hướng dẫn bên dưới tùy thuộc vào dụng cụ của bạn:
 - **D25032, D25033, D25133:** Lắp bộ phận nối mũi bắt vít chuyên dụng SDS Plus để sử dụng mũi bắt vít lục giác.
 - **D25134:** Thay thế đầu giữ mũi khoan SDS Plus bằng đầu kẹp không khóa
- Lắp mũi bắt vít phù hợp. Khi vặn vào đầu xé rãnh, luôn sử dụng mũi bắt vít có khớp nối định hướng.
- Án nhẹ công tắc điều chỉnh tốc độ (a) để tránh làm hỏng đầu vít. Khi quay theo chiều nghịch (bên trái), tốc độ của dụng cụ tự động giảm để tháo vít một cách dễ dàng.
- Khi đầu vít ngang bằng phi gia công, nhà công tắc điều chỉnh tốc độ để ngăn đầu vít xuyên vào trong phi gia công.

Đeo và đục (hình 1)

D25033, D25133, D25134, D25144

- Nhấn nút chọn chế độ (e) rồi xoay công tắc chọn chế độ (d) đến vị trí "chì đập búa".
- Lắp mũi đục phù hợp rồi dùng tay xoay mũi đục để khóa nó vào vị trí.
- Điều chỉnh tay cầm bên (h) nếu cần.
- Bật dụng cụ và tắt đầu làm việc.
- Luôn tắt dụng cụ khi kết thúc công việc và trước khi rút nguồn.



CẢNH BÁO:

- Không sử dụng dụng cụ này để trộn hoặc bơm các chất lỏng dễ cháy hoặc dễ nổ (xăng, cồn, v.v.)
- Không trộn hoặc khuấy chất lỏng dễ cháy được dán nhãn tương ứng.

BẢO TRÌ

Dụng cụ điện cầm tay của DEWALT được thiết kế để vận hành trong thời gian dài và ít phải bảo trì nhất. Dụng cụ vận hành liên tục theo ý muốn tùy thuộc vào việc bảo quản dụng cụ đúng cách và vệ sinh thường xuyên.



CẢNH BÁO: Để giảm nguy cơ chấn thương, hãy tắt dụng cụ và ngắt nguồn điện trước khi lắp và tháo phụ kiện, trước khi điều chỉnh hoặc thay đổi chế độ cài

đặt hoặc khi tiến hành sửa chữa. Đảm bảo công tắc khởi động ở vị trí OFF. Việc bất ngờ khởi động cũng có thể gây chấn thương.

- Người dùng không được tự ý bảo trì máy. Hãy mang dụng cụ tới đại lý sửa chữa được ủy quyền của DEWALT sau khoảng 40 giờ sử dụng. Nếu xảy ra sự cố trước thời điểm này, hãy liên hệ với đại lý sửa chữa được ủy quyền của DEWALT.
- Dụng cụ sẽ tự động tắt khi chổi than bị mòn.

Chổi than động cơ

DEWALT sử dụng hệ thống chổi than tiên tiến sẽ dùng khoan khi chổi than bị mòn. Tính năng này giúp động cơ không bị hư hỏng nặng. Hệ thống chổi than mới sẵn có tại các trung tâm dịch vụ được ủy quyền của DEWALT. Luôn sử dụng phụ tùng thay thế chính hãng.



Tra dầu

Dụng cụ điện cầm tay này không cần tra thêm dầu.

Phải thường xuyên tra dầu cho các phụ kiện và đồ gá sử dụng gắn thiết bị SDS Plus.



Vệ sinh



CẢNH BÁO: Thường xuyên thổi bụi bẩn khỏi vỏ dụng cụ khi thấy bám bụi xung quanh các khe thông gió. Đeo kính bảo hộ và mặt nạ chống bụi được phê duyệt khi thực hiện quy trình này.



CẢNH BÁO: Tuyệt đối không sử dụng các dụng cụ môi và hóa chất mạnh để vệ sinh các bộ phận không làm bằng kim loại của dụng cụ. Các hóa chất này có thể làm tổn hại đến các nguyên vật liệu sử dụng trong các bộ phận này. Chỉ sử dụng khăn được làm ẩm bằng nước và xà phòng có tính tẩy nhẹ. Tuyệt đối không để chất lỏng lọt vào bên trong dụng cụ; không được ngâm các bộ phận của dụng cụ vào chất lỏng.

Phụ kiện tùy chọn



CẢNH BÁO: Vì các phụ kiện, ngoài các phụ kiện do DEWALT CUNG CẤP, chưa được kiểm tra với sản phẩm này nên việc sử dụng chúng cùng với dụng cụ này có thể gây nguy hiểm. Để giảm nguy cơ chấn thương, chỉ được sử dụng các phụ kiện do DEWALT khuyến nghị cho sản phẩm này.

Có nhiều loại mũi khoan và mũi đục SDS Plus khác nhau để bạn lựa chọn.

Hỏi ý kiến đại lý bạn để biết thêm thông tin về các phụ kiện phù hợp.

Bảo vệ môi trường



Thu gom riêng. Không được thải bỏ sản phẩm này với rác thải sinh hoạt thông thường.

Nếu bạn cần thay thế sản phẩm DEWALT của mình hoặc bạn không sử dụng nó trong tương lai nữa, đừng thải bỏ cùng với rác thải gia đình. Sản phẩm này phải được thu gom riêng.



Thu gom riêng sản phẩm đã qua sử dụng và đóng gói lại sẽ cho phép tái chế và tái sử dụng vật liệu. Tái sử dụng vật liệu tái chế giúp ngăn chặn ô nhiễm môi trường và giảm nhu cầu vật liệu thô.

Luật lệ địa phương có thể quy định việc thu gom riêng các sản phẩm điện gia dụng, tại các bãi rác thải đô thị hoặc bởi những người bán lẻ khi bạn mua sản phẩm mới.

DEWALT cung cấp nơi thu gom và tái chế các sản phẩm của DEWALT khi các sản phẩm này đã hết hạn sử dụng. Để sử dụng dịch vụ này, vui lòng trả lại sản phẩm cho đại lý sửa chữa được ủy quyền, nơi thay mặt công ty chúng tôi thu gom các sản phẩm này.

Bạn có thể kiểm tra vị trí của đại lý sửa chữa được ủy quyền gần nhất bằng cách liên hệ với văn phòng DEWALT tại nơi bạn sống theo địa chỉ cung cấp trong tài liệu hướng dẫn này. Ngoài ra, còn có danh sách đại lý sửa chữa được ủy quyền của DEWALT và đầy đủ thông tin chi tiết về dịch vụ hậu mãi và các thông tin liên hệ tại website:

www.2helpU.com.

