

---

**DEWALT®**

---

**DW341(K)**

---

**English**

**6**

---

**简体中文**

**11**

---

**繁體中文**

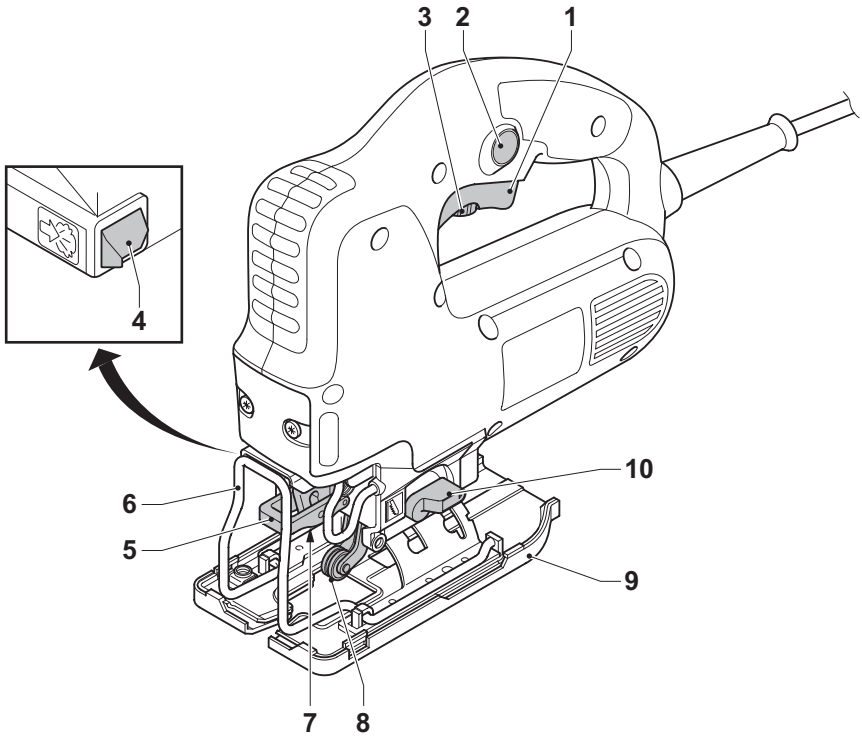
**16**

---

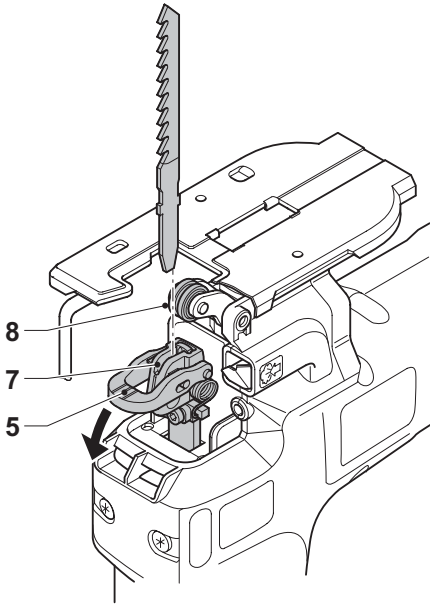
**한글판**

**21**

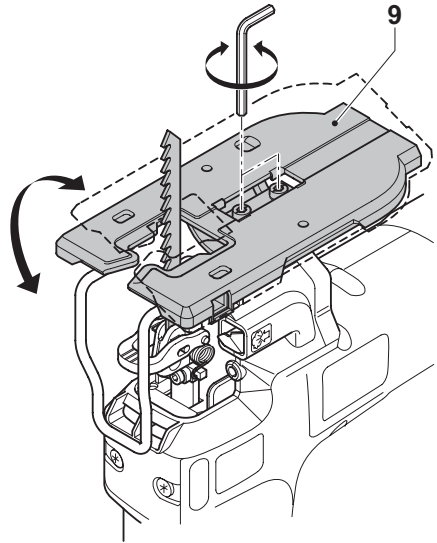
---



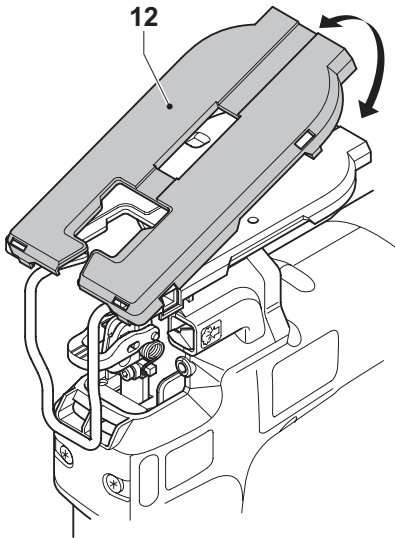
DW341(K)



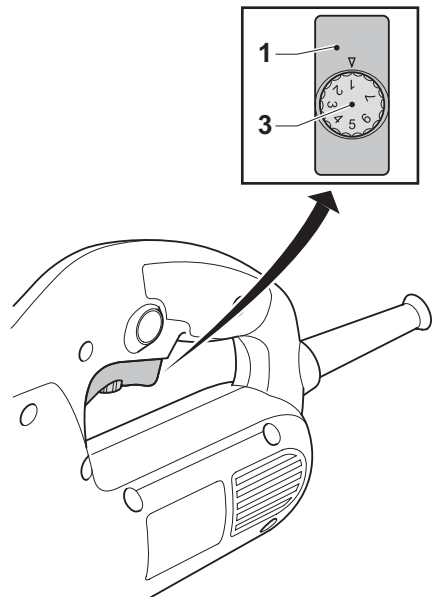
**B**



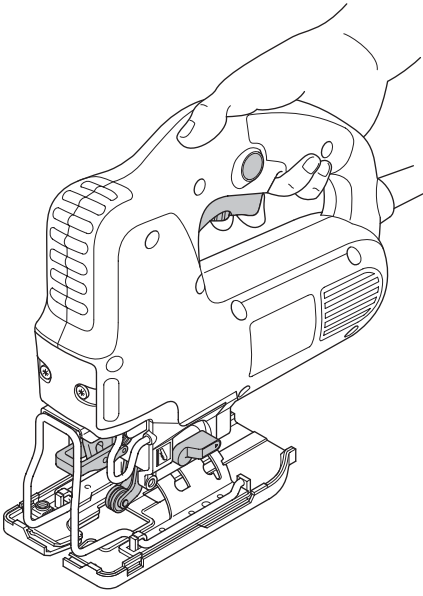
**C**



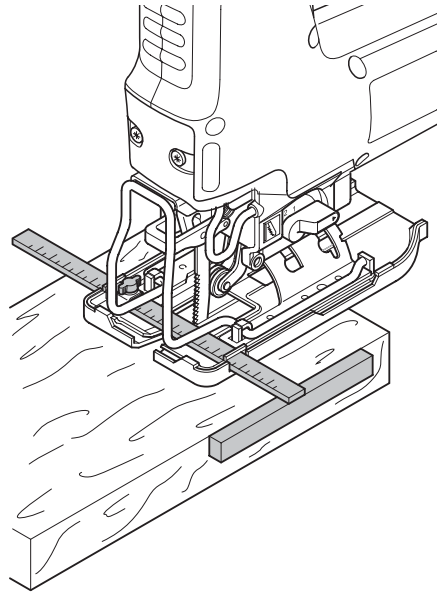
**D**



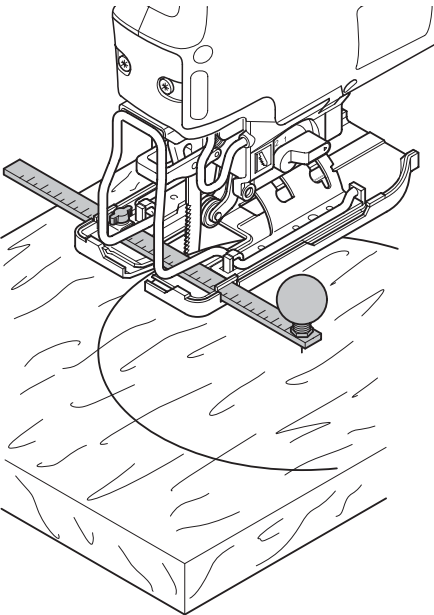
**E**



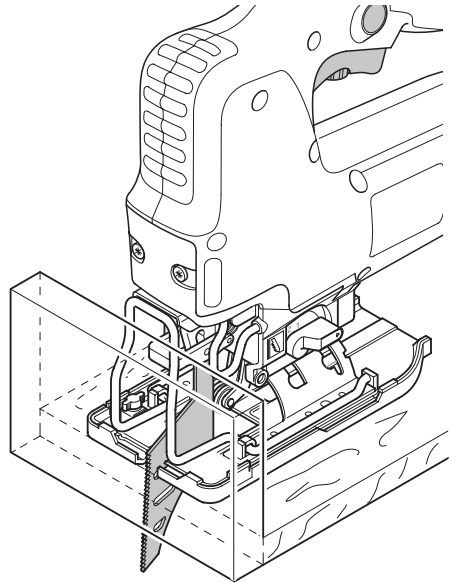
**F**



**G**



**H**



**I**

# JIGSAW DW341(K)

## Congratulations!

You have chosen a DEWALT tool. Years of experience, thorough product development and innovation make DEWALT one of the most reliable partners for professional power tool users.

## Technical data

	DW341(K)	
Power input	W	550
Power output	W	290
No-load speed	min <sup>-1</sup>	0-3,100
Stroke length	mm	20
Cutting depth in:		
- wood	mm	85
- aluminium	mm	20
- steel	mm	10
- stainless steel alloy	mm	3
Bevel angle adjustment (l/r)		0-45°
Cord length	m	2.5
Weight	kg	2.0

K: kitbox

The following symbols are used throughout this manual:



Denotes risk of personal injury, loss of life or damage to the tool in case of non-observance of the instructions in this manual.



Denotes risk of electric shock.



Fire hazard.

## Safety instructions

### General power tool safety warnings



**Warning! Read all safety warnings and all instructions.** Failure to follow the warnings and instructions listed below may result in electric shock, fire and/or serious injury.

### Save all warnings and instructions for future reference.

The term "power tool" in all of the warnings listed below refers to your mains operated (corded) power tool or battery operated (cordless) power tool.

#### 1 Work area safety

##### a Keep work area clean and well lit.

Cluttered or dark areas invite accidents.

##### b Do not operate power tools in explosive atmospheres, such as in the presence of flammable liquids, gases or dust.

Power tools create sparks which may ignite the dust or fumes.

##### c Keep children and bystanders away while operating a power tool.

Distractions can cause you to lose control.

#### 2 Electrical safety

##### a Power tool plugs must match the outlet.

**Never modify the plug in any way. Do not use any adapter plugs with earthed (grounded) power tools.**

Unmodified plugs and matching outlets will reduce risk of electric shock.

##### b Avoid body contact with earthed or grounded surfaces such as pipes, radiators, ranges and refrigerators.

There is an increased risk of electric shock if your body is earthed or grounded.

##### c Do not expose power tools to rain or wet conditions.

Water entering a power tool will increase the risk of electric shock.

- d Do not abuse the cord. Never use the cord for carrying, pulling or unplugging the power tool. Keep cord away from heat, oil, sharp edges or moving parts.**

Damaged or entangled cords increase the risk of electric shock.

- e When operating a power tool outdoors, use an extension cord suitable for outdoor use.**

Use of a cord suitable for outdoor use reduces the risk of electric shock.

### 3 Personal safety

- a Stay alert, watch what you are doing and use common sense when operating a power tool. Do not use a power tool while you are tired or under the influence of drugs, alcohol or medication.**

A moment of inattention while operating power tools may result in serious personal injury.

- b Use safety equipment. Always wear eye protection.**

Safety equipment such as dust mask, non-skid safety shoes, hard hat, or hearing protection used for appropriate conditions will reduce personal injuries.

- c Avoid accidental starting. Ensure the switch is in the off position before plugging in.**

Carrying power tools with your finger on the switch or plugging in power tools that have the switch on invites accidents.

- d Remove any adjusting key or wrench before turning the power tool on.**

A wrench or a key left attached to a rotating part of the power tool may result in personal injury.

- e Do not overreach. Keep proper footing and balance at all times.**

This enables better control of the power tool in unexpected situations.

- f Dress properly. Do not wear loose clothing or jewellery. Keep your hair, clothing and gloves away from moving parts.**

Loose clothes, jewellery or long hair can be caught in moving parts.

- g If devices are provided for the connection of dust extraction and collection facilities, ensure these are connected and properly used.**

Use of dust collection can reduce dust-related hazards.

### 4 Power tool use and care

- a Do not force the power tool. Use the correct power tool for your application.**

The correct power tool will do the job better and safer at the rate for which it was designed.

- b Do not use the power tool if the switch does not turn it on and off.**

Any power tool that cannot be controlled with the switch is dangerous and must be repaired.

- c Disconnect the plug from the power source and/or the battery pack from the power tool before making any adjustments, changing accessories, or storing power tools.**

Such preventive safety measures reduce the risk of starting the power tool accidentally.

- d Store idle power tools out of the reach of children and do not allow persons unfamiliar with the power tool or these instructions to operate the power tool.**

Power tools are dangerous in the hands of untrained users.

- e Maintain power tools. Check for misalignment or binding of moving parts, breakage of parts and any other condition that may affect the power tools operation. If damaged, have the power tool repaired before use.**

Many accidents are caused by poorly maintained power tools.

- f Keep cutting tools sharp and clean.**

Properly maintained cutting tools with sharp cutting edges are less likely to bind and are easier to control.

- g Use the power tool, accessories and tool bits etc., in accordance with these instructions, taking into account the working conditions and the work to be performed.**

Use of the power tool for operations different from those intended could result in a hazardous situation.

### 5 Battery tool use and care

- a Ensure the switch is in the off position before inserting battery pack.**

Inserting the battery pack into power tools that have the switch on invites accidents.

- b Recharge only with the charger specified by the manufacturer.**

A charger that is suitable for one type of battery pack may create a risk of fire when used with another battery pack.

- c Use power tools only with specially designated battery packs.**  
Use of any other battery packs may create a risk of injury and fire.
- d When battery pack is not in use, keep it away from other metal objects like paper clips, coins, keys, nails, screws, or other small metal objects that can make a connection from one terminal to another.**  
Shorting the battery terminals together may cause burns or a fire.
- e Under abusive conditions, liquid may be ejected from the battery; avoid contact. If contact accidentally occurs, flush with water. If liquid contacts eyes, additionally seek medical help.**  
Liquid ejected from the battery may cause irritation or burns.

## 6 Service

- a Have your power tool serviced by a qualified repair person using only identical replacement parts.**  
This will ensure that the safety of the power tool is maintained.
- Check for damage to the tool, parts or accessories which may have occurred during transport.
  - Take the time to thoroughly read and understand this manual prior to operation.

## Description (fig. A)

Your jigsaw DW341(K) has been designed for professional cutting of wood, steel, aluminium, plastic and ceramic material.

- 1 On/off switch
- 2 Lock-on button
- 3 Speed control dial
- 4 Sawdust blower
- 5 Blade latch
- 6 Finger guard
- 7 Blade holder
- 8 Guide roller
- 9 Shoe
- 10 Pendulum stroke selector

## Electrical safety

The electric motor has been designed for one voltage only. Always check that the power supply corresponds to the voltage on the rating plate.



Your DEWALT tool is double insulated in accordance with EN 60745; therefore no earth wire is required.

## Using an extension cable

If an extension cable is required, use an approved extension cable suitable for the power input of this machine (see technical data). The minimum conductor size is 1.5 mm<sup>2</sup>. The cable has to have a rubber jacket and a grounding conductor. When using a cable reel, always unwind the cable completely.

## Assembly and adjustment



Prior to assembly and adjustment always unplug the tool.

### Fitting and removing a saw blade (fig. B)

The tool-free blade exchange system ensures quick and easy changing of saw blades.

- Open the blade holder (7) by fully retracting the blade latch (5).
- Insert the saw blade into the blade holder (7) guiding the back of the blade into the groove of the guide roller (8).
- Release the blade latch (5).
- To remove the saw blade, fully retract the blade latch and pull the blade out of the holder.

### Setting the bevel angle (fig. C)

The adjustable shoe (9) allows cutting of LH and RH bevel angles up to 45°. The bevel scale has preset positions at 0° and 45°.

- Slacken the screws (11) using the supplied Torx wrench.
- Slide the shoe (9) toward the saw blade.
- Tilt the shoe and set the desired bevel angle using the scale.
- Tighten the screws.



**Setting the pendulum stroke (fig. A)**

The adjustable pendulum stroke guarantees a perfect cutting stroke for different materials.

- Slide the selector (10) to the desired position referring to the table below. The selector can be manipulated during operation.

Pos.	Wood	Metal	Plastics
2	Fast cuts	-	PVC
2	Thick workpieces	-	Fibreglass Acrylic
1	Plywood Chipboard	Aluminium Non-ferrous	-
0	Thin workpieces Fine cuts	Sheet metal	-

**Mounting the plastic anti-scratch shoe cover (fig. D)**

The anti-scratch shoe cover (12) reduces damage to the surface of (sensitive) workpieces.

- Click the cover onto the shoe as shown.



When appropriate, connect a dust extraction system designed in compliance with the applicable directives regarding dust emission.



Do not use a dust extraction system without proper spark protection when sawing metal.

**Instructions for use**

- Always observe the safety instructions and applicable regulations.
- Make sure your workpiece is well secured. Remove nails, screws and other fasteners that may damage the blade.
- Check that there is sufficient space for the blade underneath the workpiece. Do not cut materials that exceed the maximum cutting depth of the blade.
- Use sharp saw blades only. Damaged or bent saw blades must be removed immediately.
- Do not use the tool for sawing pipes or tubes.

- Never run your tool without a saw blade.
- For optimal results, move the tool smoothly and constantly over the workpiece. Do not exert lateral pressure on the saw blade.
- Keep the shoe flat on the workpiece and lead the cord away in line with the tool. When sawing curves, circles or other round shapes, push the tool gently forward.
- Wait until the tool has come to a standstill before removing the saw blade from the workpiece. After sawing the blade may be very hot. Do not touch.

**Switching on and off (fig. A)****DW341(K)**

- To run the tool, press the on/off switch (1).
- For continuous operation, press and hold down the switch (1), press the lock-on button (2) and release the switch.
- To stop the tool, release the switch.
- To stop the tool in continuous operation, press the switch briefly and release it. Always switch off the tool when work is finished and before unplugging.

**Setting the electronic sawing speed (fig. E)****DW341(K) (fig. E)**

The sawing speed varies with the pressure exerted on the on/off switch (1).

- To preset the sawing speed, turn the control dial (3) to the desired level. The higher the rate, the higher the sawing speed. The required setting depends on the thickness and kind of material.
- Use high speeds for sawing soft materials such as wood. Use low speeds for sawing metal.



After using the tool for an extended period on low speed settings, run it for approx. 3 minutes on maximum no-load speed.

**Holding the tool (fig. F)**

- Hold the tool as shown.  
- DW341(K): fig. F

## Sawing in wood

- If necessary, draw a cutting line.
- Switch the tool on.
- Hold the tool against the workpiece and follow the line.
- For sawing parallel to the edge of your workpiece, install the parallel fence (optional) and guide your jigsaw along the workpiece (fig. G).

## Sawing in wood using a pilot hole

- If necessary, draw a cutting line.
- Drill a hole ( $\phi$  min. 12 mm) and introduce the saw blade.
- Switch the tool on.  
Follow the line.
- For cutting perfectly round shapes, install the trammel bar (optional) and set it to the required radius (fig. H).

## Sawing up to a projecting edge (fig. A & I)

- Using a conventional blade, cut up to the projected edge.
- Finish off the cut using a flush cutting blade.

## Sawing in metal

- Mount an appropriate saw blade.
- Proceed as described above.



Use a cooling lubricant (cutting oil) to prevent overheating of the saw blade or the workpiece.

## Maintenance

Your DEWALT power tool has been designed to operate over a long period of time with a minimum of maintenance. Continuous satisfactory operation depends upon proper tool care and regular cleaning.



## Lubricating the guide roller (fig. B)

- Apply a drop of oil to the guide roller (8) at regular intervals to prevent jamming.



## Cleaning

Keep the ventilation slots clear and regularly clean the housing with a soft cloth.

## Protecting the environment



Separate collection. This product must not be disposed of with normal household waste.

Should you find one day that your DEWALT product needs replacement, or if it is of no further use to you, do not dispose of it with household waste. Make this product available for separate collection.



Separate collection of used products and packaging allows materials to be recycled and used again. Re-use of recycled materials helps prevent environmental pollution and reduces the demand for raw materials.

## Service Information

DEWALT offers a full network of company-owned and authorized service locations throughout Asia. All DEWALT Service Centers are staffed with trained personnel to provide customers with efficient and reliable power tool service. Whether you need technical advice, repair, or genuine factory replacement parts, contact the DEWALT location nearest to you.

## Notes

- DEWALT's policy is one of continuous improvement to our products and, as such, we reserve the right to change product specifications without prior notice.
- Standard equipment and accessories may vary by country.
- Product specifications may differ by country.
- Complete product range may not be available in all countries. Contact your local DEWALT dealers for range availability.

# DW341(K)型曲线锯

## 祝贺您！

您已选择了得伟工具。凭借多年的经验和产品开发及创新方面的不断努力，得伟已经成为专业电动工具用户的最可靠伙伴之一。

## 技术参数

		DW341(K)
输入功率	瓦	550
输出功率	瓦	290
空载速度	/分	0-3,100
往复行程	毫米	20
以下材质的锯深：		
- 木材	毫米	85
- 铝	毫米	20
- 钢材	毫米	10
- 不锈钢合金	毫米	3
斜切角度 (l/r)		0-45°
导线长度	米	2.5
重量	千克	2.0

K指外配工具箱

本手册使用下列符号：



表示违反此手册中的相关规定将可能造成的人身伤害、生命危险和设备损坏。



表示有触电危险。



表示有火灾危险。

## 安全指引

当使用电动工具时，请务必遵守贵国适用的有关安全规则，以避免火灾、触电和人身伤害的危险。

请在正式使用工具前仔细阅读本手册的全部内容。

请妥善保管本手册，以备将来参考使用。

### 一般安全规则

#### 1 工作场地

- 1) 保持工作场地清洁和明亮。混乱和黑暗的场地会引发事故。
- 2) 不要在易爆环境，如有易燃液体、气体或粉尘的环境下操作电动工具。电动工具产生火花会点燃粉尘或气体。
- 3) 让儿童和旁观者离开后方可操纵电动工具。分心会使你放松控制。

#### 2 电器安全

- 1) 电动工具插头必须与插座相配，绝不能以任何方式改装插头。需要接地的电动工具不能使用任何转换插头。未经改装的插头和相配的插座将减少触电危险。
- 2) 避免人体接触接地物体，如管道、散热片和冰箱。如果你身体接地会增加触电危险。
- 3) 不得将电动工具暴露在雨中或潮湿环境中。水进入电动工具将增加触电危险。
- 4) 不得滥用电线，绝不能用电线搬运、拉动电动工具或拔出其插头。让电动工具远离热、油、锐边或运动部件。受损或缠绕的电线会增加触电危险。
- 5) 当在户外使用电动工具时，使用适合户外使用的外接电线。适合户外使用的电线将减少触电危险。

### 3 人身安全

- 1) 保持警觉，当操作电动工具时关注所从事的操作并保持清醒。切勿在有疲倦、药物、酒精或治疗反应下操作电动工具。在操作电动工具期间精力分散会导致严重人身伤害。
- 2) 使用安全装置。始终佩戴护目镜。安全装置，诸如适当条件下的防尘面具、防滑安全鞋、安全帽、听力防护等装置能减少人身伤害。
- 3) 避免突然启动。确保开关在插入插头时处于断开位置。手指放在已接通电源的开关上或开关处于接通时插入插头可能会导致危险。
- 4) 在电动工具接通之前，拿掉所有调节钥匙或扳手。遗留的电动工具旋转零件上的扳手或钥匙会导致人身伤害。
- 5) 手不要伸得太长。时刻注意脚下和身体平衡。这样在意外情况下也能很好地控制电动工具。
- 6) 着装适当。不要穿宽松衣或佩带饰品。让你的头发、衣服和袖子远离运动部件。宽松衣服、佩饰或长发可能会卷入运动部件。
- 7) 如果提供了与排屑装置、集尘设备连接用的装置，则确保他们连接完好且使用得当。使用这些装置可减少碎屑引起的危险。

### 4 电动工具使用和注意事项

- 1) 不要滥用电动工具，根据用途使用适当的电动工具。使用适当的设计额定值的电动工具会使你工作更有效、更安全。
- 2) 如果开关不能接通或关断工具电源，则不能使用该电动工具。不能用开关来控制的电动工具是危险的且必须进行修理。
- 3) 在进行任何调节、更换附件或贮存电动工具之前，必须从电源上拔掉和/或将电池盒脱开电源。这种防护性措施将减少电动工具突然启动的危险。
- 4) 将闲置电动工具贮存在儿童所及范围之外，并且不要让不熟悉电动工具或对这些说明不了解的人操作电动工具。电动工具在未经训练的用户手中是危险的。

- 5) 保养电动工具。检查运动件的安装偏差或卡住、零件破损情况和影响电动工具运行的其他条件。如有损坏，电动工具必须在使用前修理好。许多事故由维护不良的电动工具引发。
- 6) 保持切削刀具锋利和清洁。保养良好的有锋利切削刃的刀具不易卡住而且容易控制。
- 7) 按照使用说明书以及打算使用的电动工具的特殊类型要求的方式，考虑作业条件和进行的作业来使用电动工具、附件和工具的刀头等。将电动工具用作那些与要求不符的操作可能会导致危险情况。

### 5 维修

- 1) 将你的电动工具送交专业维修人员，必须使用同样的备件进行更换。这样将确保所维修的电动工具的安全性。

### 描述 (图A)

您的DW341(K)型曲线锯是为专业切割木材、钢材、铝材、塑料和陶瓷材料而设计的。

- 1 on/off 开关
- 2 锁定按钮
- 3 速度控制盘
- 4 吹屑口
- 5 锯条更换拨杆
- 6 护指器
- 7 锯条夹
- 8 导向滚轮
- 9 底板
- 10 摆动功能选择器

### 电气安全

该电机只有一种工作电压，请确认电源电压同牌上标明的电压一致。



该工具根据EN60745标准设置双重绝缘，因此不需要地线。

## 使用延长电缆

如要使用延长电缆，应当使用经核准的适用于本工具输入功率的延长电缆。电缆的最小导体截面积不应小于1.5平方毫米。并且电缆必须有橡胶护套及接地导体。

使用线缆卷筒时，应将线缆完全松开。

位置	木材	金属	塑料
2	快速切割	-	PVC
2	厚工件	-	玻璃纤维 亚克力
1	胶合板 纸板	铝材 有色金属	- -
0	薄工件 精细切割	金属片	-

## 安装及调节



安装调节前请拔掉工具的插头。

### 锯条的安装与拆除 (图B)

免工具锯条更换系统确保快速、方便地更换锯条。

- 完全拉开锯条更换拨杆(5)，从而打开锯条夹(7)。
- 把锯条插入锯条夹(7)，把锯条背部放入导向滚轮(8)的凹槽中。
- 松开锯条更换拨杆(5)。
- 如果取出锯条，完全拉开锯条更换拨杆(5)并且将锯条从锯条夹中拔出。

### 设定斜切角度 (图C)

可调底板(9)可以实现左右最大45°的切割倾角。斜角规具有0°、45°预设位置。

- 使用随机的扳手松开底板调节控制杆(11)
- 将底板(9)滑向锯条
- 转动底板，通过刻度设定需要的斜切角度
- 紧固螺丝

### 设定摆动冲程 (图A)

可调节摆动冲程保证了不同材料所需要的最佳切割冲程。

- 根据下表把选择器(10)滑动到所需位置。在运行过程中可以操纵选择器。

### 安装塑料防划伤底板盖 (图D)

防划伤底板盖(12)可以减少对工件表面(敏感材料)的划痕。

- 按图所示，把盖子扣到底板上。



使用时，连接的吸尘系统的设计应符合相关防尘规程。



在锯金属材料时，如果没有适当的火花防护措施请勿使用吸尘系统。

## 使用说明



- 坚持遵守安全指南和适用的法规。
- 确保工件放置可靠。去除钉子、螺钉或其它可能损伤锯条的紧固件。
- 确保工件下面有锯条通过的充足空间。禁止切割超过锯条最大切割厚度的材料。
- 仅使用锋利的锯条。损坏或弯曲的锯条必须立即更换。
- 禁止使用此工具切割管道或管材。
- 严禁在没有锯条的情况下启动工具。
- 为了获得最佳效果，在工件表面连续平稳地移动工具。禁止对锯条施加侧向力。

- 保持底板平放在工件上，并且把导线引离工具方向。在锯曲线、圆形或其它圆的形状时，轻轻地推动工具前进。
- 必须等工具完全停止后，再从工件上取出锯条。切割后，锯条可能很烫，禁止触摸。

### 接通与断开 (图A)

#### DW341(K)

- 要运行工具，按on/off开关(1)。
- 要连续运行，保持按下开关(1)，再按锁定按钮(2)，然后松开开关。
- 要使工具停止，松开开关即可。
- 要在连续运行状态下使工具停止，短暂按下开关再松开它。在工作完成后，拔下插头前，切记要断开工具开关。

### 电子调速设定 (图E)

#### DW341(K) (图E)

锯速随着施加在on/off开关(1)上压力的变化而变化。

- 要预先设定锯速，把控制盘(3)旋转到需要的等级上。等级越高，锯速越高。需要的锯速取决于厚度与材料。
- 使用高速来切割木材等软材料。采用低速来切割金属。



长期使用低速切割后，以最大速度空载运行约3分钟。

### 工具的握持方式 (图F)

- 如图所示握持工具。  
- DW341(K) (图F)

### 锯切木材

- 如有必要，划出锯切线。
- 接通工具。
- 把工具沿锯线对着工件。
- 要锯线与工件边缘平行，安装平行导尺(选配)，可以引导曲线锯沿着工件前进。(图G)。

### 采用先导孔锯切木材

- 如有必要，划出锯切线。
- 钻一孔(直径至少12mm)，放入锯条。
- 接通工具。
- 沿锯线前进。
- 要锯出严格的圆形，安装划圆导尺(选配)并设定到需要的半径。(图H)。

### 锯到突出边缘 (图A与图I)

- 采用传统锯片，锯到突出边。
- 使用齐边锯片完成锯切。

### 锯切金属

- 安装适用的锯条。
- 按照上述程序操作。



采用冷却润滑剂(切削油)来防止锯片或工件过热。

### 维护

您的得伟动力工具设计精良，可以长期运作，而只需极少的维护。要取得连续的令人满意的工作效果，需要您做合适的保养和定期的清洁。



### 润滑导向滚轮 (图B)

- 定期在导向滚轮(8)上滴一滴油，防止卡锯。



### 清洁

请保持通风口的干净并经常用软抹布清洁工具外壳。

## 保护环境



分类回收。此类产品不得和普通家庭垃圾一起处理。

如果某一天您的得伟产品需要更换或不再使用，请不要把它和家庭垃圾一起处理。把该产品单独分类回收。



旧产品和旧包装的分类回收使材料能够得以再循环和再利用。再循环材料的重新利用有助于防止环境污染和减少原料需求。

## 维修信息

得伟在整个亚洲提供完整的自有和授权维修网络。所有得伟维修中心的员工都经过专门培训，可以为客户的电动工具提供高效、可靠的服务。无论您需要技术咨询、维修或是正宗的原装配件，联系离您最近的得伟维修站，即可满足您的需求。

## 说明

- 得伟的产品方针之一是持续改进，因此产品规格如有更改，恕不另行通知。
- 各个国家的标准设备和配件可能不同。
- 产品规格可能因国家而异。
- 并非所有国家都有全系列的产品。联系您当地的零售商了解供应的范围。

制造商：百得(苏州)科技有限公司

地址：中国江苏苏州

产地：中国

# DW341(K) 型曲線鋸

## 感謝您！

您已選擇了得偉工具。憑藉多年的經驗和產品開發及創新方面的不斷努力，得偉已經成為專業電動工具用戶的最可靠夥伴之一。

## 技術參數

		DW341(K)
輸入功率	瓦	550
空載速度	/分	0-3,100
往復行程	毫米	26
以下材質的鋸深:		
- 木材	毫米	85
- 鋁	毫米	20
- 鋼材	毫米	10
- 不銹鋼合金	毫米	3
斜切角度 (l/r)		0-45°
電源線長度	千克	2.5
重量	米	2.0

K指外配工具箱

本手冊使用下列符號：



表示違反此手冊中的相關規定將可能造成的人身傷害、生命危險和設備損壞。



表示有觸電危險。



表示有火災危險。

## 安全指引

當使用電動工具時，請務必遵守貴國適用的有關安全規則，以避免火災、觸電和人身傷害的危險。請在正式使用工具前仔細閱讀本手冊的全部內容。請妥善保管本手冊，以備將來參考使用。

### 一般安全規則

#### 1 工作場地

- 1) 保持工作場地清潔和明亮。混亂和黑暗的場地會引發事故。
- 2) 不要在易爆環境，如有易燃液體、氣體或粉塵的環境下操作電動工具。電動工具產生火花會點燃粉塵或氣體。
- 3) 讓兒童和旁觀者離開後操控電動工具。分心會使你放鬆控制。

#### 2 電器安全

- 1) 電動工具插頭必須與插座相配，絕不能以任何方式改裝插頭。需要接地的電動工具不能使用任何轉換插頭。未經改裝的插頭和相配的插座將減少觸電危險。
- 2) 避免人體接觸接地表面，如管道、散熱片和冰箱。如果你身體接地會增加觸電危險。
- 3) 不得將電動工具暴露在雨中或潮濕環境中。水侵入電動工具將增加觸電危險。
- 4) 不得濫用電線，絕不能用電線搬運、拉扯電動工具或拔出其插頭。讓電動工具遠離熱、油、銳邊或運動部件。受損或纏繞的電線會增加觸電危險。
- 5) 當在戶外使用電動工具時，使用適合戶外使用的外接電線。適合戶外使用的電線將減少觸電危險。



### 3 人身安全

- 1) **保持警覺，當操作電動工具時關注所從事的操作並保持清醒。切勿在有疲倦、藥物、酒精或治療反應下操作電動工具。**在操作電動工具期間精力分散會導致嚴重人身傷害。
- 2) **使用安全裝置。始終佩戴護目鏡。**安全裝置，諸如適當條件下的防塵面具、防滑安全鞋、安全帽、聽力防護等裝置能減少人身傷害。
- 3) **避免突然啟動。確保開關在插入插頭時處於關閉位置。**手指放在已接通電源的開關上或開關處於接通時插入插頭可能會導致危險。
- 4) **在電動工具接通之前，拿掉所有調節鑰匙或扳手。**遺留的電動工具旋轉零件上的扳手或鑰匙會導致人身傷害。
- 5) **手不要伸得太長。**時刻注意腳下和身體平衡。這樣在意外情況下也能很好地控制電動工具。
- 6) **著裝適當。不要穿寬鬆衣或佩帶飾品。讓你的頭髮、衣服和袖子遠離運動部件。**寬鬆衣服、佩飾或長髮可能會捲入運動部件。
- 7) **如果提供了與排屑裝置、集塵設備連接用的裝置，則確保他們連接完好且使用得當。**使用這些裝置可減少碎屑引起的危險。

### 4 電動工具使用和注意事項

- 1) **不要濫用電動工具根據用途使用適當的電動工具。**使用適當的設計瓦數的電動工具會使你工作更有效、更安全。
- 2) **如果開關不能接通或關閉工具電源，則不能使用該電動工具。**不能用開關來控制的電動工具是危險的且必須進行修理。
- 3) **在進行任何調節、更換附件或貯存電動工具之前，必須從電源上拔掉和 / 或將電池盒脫開電源。**這種防護性措施將減少電動工具突然啟動的危險。
- 4) **將閒置電動工具貯存在兒童所及範圍之外，並且不要讓不熟悉電動工具或對這些說明不瞭解的人操作電動工具。**電動工具在未經訓練的用戶手中是危險的。

- 5) **保養電動工具。**檢查運動件的安裝偏差或卡住、零件破損情況和影響電動工具運行的其他條件。如有損壞，電動工具必須在使用前修理好。許多事故由維護不良的電動工具引發。
- 6) **保持切削刀具鋒利和清潔。**保養良好的有鋒利切削刃的刀具不易卡住而且容易控制。
- 7) **按照使用說明書以及打算使用的電動工具的特殊類型要求的方式，考慮作業條件和進行的作業來使用電動工具、附件和工具的刀頭等。**將電動工具用作那些與要求不符的操作可能會導致危險情況。

### 5 維修

- 1) 將你的電動工具送交專業維修人員，必須使用原廠的零件進行更換。這樣將確保所維修的電動工具的安全性。

### 描述(圖A)

您的DW341(K)型曲線鋸是為專業切割木材、金屬、塑膠和陶瓷材料而設計的。

- 1 On/off 開關
- 2 鎖定按鈕
- 3 速度控制盤
- 4 吹風口
- 5 鋸條更換撥桿
- 6 護指器
- 7 鋸條夾
- 8 導向滾輪
- 9 底板
- 10 擺動功能選擇器

### 電氣安全

本曲線鋸只有一種工作電壓，請確認電源電壓同名牌標示上標明的電壓一致。



該工具根據EN60745標準設置雙重絕緣，因此不需要地線。

## 使用延長電纜線

如要使用延長電纜線，應當使用經核准的適用於本工具輸入功率的延長電纜線。應採用的電纜線最小導體截面積為1.5平方毫米。並且電纜線必須有橡膠護套及接地導體。

使用線纜捲筒時，應將線纜線完全鬆開。

## 安裝及調校



安裝調校前請拔掉工具的插頭。

### 鋸條的安裝與拆除(圖B)

免工具鋸條更換系統系統確保快速、方便地更換鋸條。

- 完全拉開鋸條更換撥桿(5)，從而打開鋸條夾(7)。
- 把鋸條插入鋸條夾(7)，把鋸條背部放入導向滾輪(8)的凹槽中。
- 鬆開鋸條更換撥桿(5)。
- 如果取出鋸條，完全拉開鋸條更換撥桿(5)並且將鋸條從鋸條夾中拔出。

### 設定斜切角度(圖C)

可調底板(9)可以實現左右最大45°的切割傾角。斜角規具有0°、45°預設位置。

- 使用隨機的扳手鬆開底板調節控制桿(11)
- 將底板(9)滑向鋸條
- 轉動底板，通過刻度設定需要的斜切角度
- 緊固螺絲

### 設定擺動衝程(圖A)

可調節擺動衝程保證了不同材料所需要的最佳切割衝程。

- 根據下表把選擇器(10)滑動到所需位置。在運行過程中可以操縱選擇器。

位置	木材	金屬	塑膠
2	快速切割	-	PVC
2	厚工件	-	玻璃纖維 壓克力
1	膠合板	鋁材	-
	紙板	有色金屬	-
0	薄工件	金屬片	-
	精細切割		

### 安裝塑膠防劃傷底板蓋(圖D)

防劃傷底板蓋(12)可以減少對工件表面(敏感材料)的劃痕。

- 按圖所示，把蓋子扣到底板上。



使用時，連接的吸塵系統的設計應符合相關防塵規程。



在鋸金屬材料時，如果沒有適當的火花防護措施請勿使用吸塵系統。

## 使用說明



- 堅持遵守安全指南和適用的法規。
- 確保工件放置可靠。去除釘子、螺釘或其他可能損傷鋸條的緊固件。
- 確保工件下面有鋸條通過的充足空間。禁止切割超過鋸條最大切割厚度的材料。
- 僅使用鋒利的鋸條。損壞或彎曲的鋸條必須立即更換。

- 為了獲得最佳效果，在工件表面連續平穩地移動工具。禁止對鋸條施加側向力。
- 保持底板平放在工件上，並且把導線引離工具方向。在鋸曲線、圓形或其他圓的形狀時，輕輕地推動工具前進。必須等工具完全停止後，再從工件上取出鋸條。切割後，鋸條可能很燙，禁止觸摸。

### 接通與斷開(圖A)

#### DW341(K)

- 要運行工具，按on/off開關(1)。
- 要連續運行，保持按下開關(1)，再按鎖定按鈕(2)，然後鬆開開關。
- 要使工具停止，鬆開開關即可。
- 要在連續運行狀態下使工具停止，短暫按下開關再鬆開它。在工作完成後，拔下插頭前，切記要斷開工具開關。

### 電子調速設定(圖E)

#### DW341(K)(圖E)

鋸速隨著施加在on/off開關(1)上壓力的變化而變化。

- 要預先設定鋸速。把控制盤(3)旋轉到需要的等級上。等級越高，鋸速越高。需要的鋸速取決於厚度與材料。
- 使用高速來切割木材等軟材料。採用低速來切割金屬。



長期使用低速切割後，以最大速度空載運行約3分鐘。

### 工具的握持方式(圖F)

- 如圖所示握持工具。  
- DW341(K) (圖F)

### 鋸切木材

- 如有必要，劃出鋸切線。
- 接通工具。
- 把工具沿鋸線對著工件。
- 要鋸線與工件邊緣平行安裝平行導尺(選配)，可以引導曲線鋸沿著工件前進。如圖日所示。

### 採用先導孔鋸切木材

- 如有必要，劃出鋸切線。
- 鑽一孔(直徑至少12mm)，放入鋸條。
- 接通工具。
- 沿鋸線前進。
- 要鋸出嚴格的圓形，安裝劃圓導尺(選配)並設定到需要的半徑。(圖H)。

### 鋸到突出邊緣(圖A與圖I)

- 採用傳統鋸片，鋸到突出邊。
- 使用齊邊鋸片完成鋸切。

### 鋸切金屬

- 安裝適用的鋸條。
- 按照上述程式操作。



採用冷卻潤滑劑(切削油)來防止鋸片或工件過熱。

### 維護

您的得偉電動工具設計精良，可以長期運作，而只需極少的維護。要取得連續的令人滿意的工作效果，需要您做合適的保養和定期的清潔。



### 潤滑導向滾輪(圖B)

- 定期在導向滾輪(8)上滴一滴油，防止卡鋸。



### 清潔

請保持通風口的乾淨並經常用軟抹布清潔工具外殼。

### 環境保護



分類回收。此類產品不得和普通家庭垃圾一起處理。

如果某一天您的得偉產品需要更換或不再使用，請不要把它和家庭垃圾一起處理。把該產品單獨分類回收。



舊產品和舊包裝的分類回收使材料能夠再利用。回收材料的重新利用有助於防止環境污染和減少原料需求。

### 維修資訊

得偉在整個亞洲提供完整的自有和授權維修網路。所有得偉維修中心的員工都經過專門培訓，可以為客戶的電動工具提供高效、可靠的服務。無論您需要技術諮詢、維修或是正廠的原裝配件，聯繫離您最近的得偉維修站，即可滿足您的需求。

### 說明

- 得偉的產品方針之一是持續改進，因此產品規格如有更改，恕不另行通知。
- 各個國家的標準設備和配件可能不同。
- 產品規格可能因國家而異。
- 並非所有國家都有全系列的产品。聯繫您當地的零售商瞭解供應的範圍。

製造商：百得(蘇州)科技有限公司

# 직소DW341

## 축하드립니다!

귀하께서는 DEWALT 전동공구를 선택하셨습니다. 수년간의 경험과 완벽한 제품 개발, 혁신이 DEWALT를 전동공구 전문사용자에게 가장 믿음만한 동반자의 하나로 만들었습니다.

## 기술 데이터

		DW341
전력공급	W	550
전력소비	W	290
무부하속도	min <sup>-1</sup>	0-3,100
스트로크 길이	mm	20
절삭깊이		
- 나무	mm	85
- 알루미늄	mm	20
- 강철	mm	10
- 스테인레스강 합금	mm	3
경사각 조정 (lr)		0-45°
코드 길이	m	2.5
중량	kg	2.0

본 사용 설명서에서는 다음 기호들을 사용하고 있습니다:



본 사용 설명서의 지시사항을 준수하지 않을 경우 따를 수 있는 부상 위험이나 사망, 전동공구의 고장 등을 나타냅니다.



감전의 위험을 나타냅니다.



화재 위험.

## 안전 지시사항

### 일반 전동공구 안전 경고



**경고! 모든 지시사항을 읽으십시오.** 아래 모든 지시사항을 따르지 못할 경우, 감전이나 화재, 심각한 부상이 있을 수 있습니다.

### 후에 참고하도록 모든 경고와 지시사항을 보관하십시오.

아래 열거된 모든 경고에서 "전동공구" 는 코드를 연결하는 것과 전기를 사용하는 것 모두에 참고하십시오.

#### 1. 작업 장소 안전

##### 1) 작업 장소를 깨끗하고 밝게 하십시오.

혼잡하고 어두운 공간에서는 사고가 일어날 수 있습니다.

##### 2) 가연성 액체나 기체, 먼지가 있는 폭발성 대기에서 전동공구를 사용하지 마십시오.

전동공구는 먼지나 발연물질에 불을 붙일 수 있는 불꽃을 만듭니다.

##### 3) 전동공구를 사용하는 동안 구경꾼이나 어린이, 방문자들이 접근하지 못하도록 하십시오.

주의가 산만해지면, 기구 작동 시 통제하지 못할 수 있습니다.

#### 2. 전기 안전

##### 1) 전동공구의 플러그는 반드시 콘센트와 맞아야 합니다.

어떤 방식으로든 플러그를 변형시키지 마십시오. 접지된 전동공구에 어댑터 플러그를 사용하지 마십시오. 변형하지 않은 플러그와 알맞은 콘센트로 감전의 위험이 줄어듭니다.

##### 2) 파이프나 라디에이터, 레인지, 냉장고와 같은 접지 표면에 신체 접촉을 하지 마십시오.

인체가 접지되면, 감전 위험이 커집니다.

##### 3) 비가 내리는 곳이나 젖은 곳에 전동공구를 두지 마십시오.

전동공구에 물이 들어가면 감전 위험이 커집니다.

4) 코드를 함부로 사용하지 마십시오. 기구를 옮길 때나 콘센트에서 플러그를 뽑을 때 코드를 절대 사용하지 마십시오. 열이나 기름, 날카로운 모서리, 움직이는 물체에 코드를 가까이 두지 마십시오.

손상된 코드로 감전 위험이 증가합니다.

5) 설외에서 전동공구를 작동시킬 경우, 설외용 연장 코드를 사용하십시오.

설외용 코드를 사용함으로 감전 위험이 줄어듭니다.

### 3. 개인 안전

1) 전동공구 사용시 주의를 기울이고 상식에 맞게 사용하십시오. 피곤할 때나 약물, 술, 의약품을 복용한 상태에서 기구를 사용하지 마십시오.

전동공구 사용시 부주의한 순간, 심각한 부상을 입을 수 있습니다.

2) 안전 장비를 사용하십시오. 항상 보안경을 착용하십시오.

방진 마스크나 미끄럼 방지용 안전 신발, 견고한 헬멧, 귀마개 등의 안전 장비 사용으로 부상의 위험이 줄어듭니다.

3) 급작스런 시동을 하지 마십시오. 플러그를 꽂기 전에 스위치가 꺼져 있음을 확인하십시오.

스위치에 손가락을 둔 채 스위치를 켜야 하는 기구를 끄거나 기구를 이동하면 사고가 일어날 수 있습니다.

4) 기구를 켜기 전에 조정 키나 렌치를 지우십시오.

기구의 순환 부분에 깔 수 있는 렌치나 조정키로 부상을 입을 수 있습니다.

5) 지나치게 사용하지 마십시오. 언제나 알맞은 발판을 두고 균형을 유지하십시오.

예상하지 못한 상황에서 기구를 잘 제어할 수 있게 합니다.

6) 적절한 의복을 입으십시오. 늘어진 옷이나 장신구를 착용하지 마십시오. 머리카락과 옷, 장갑을 기구의 구동부위에서 멀리 두십시오.

늘어진 옷이나 장신구, 긴 머리카락은 구동부위에 깔 수 있습니다.

7) 먼지 추출이나 수집 시설에 연결하는 장비가 있을 경우, 연결되었는지, 제대로 사용되고 있는지 확인하십시오.

이러한 장비를 사용하여 먼지와 관련된 위험을 줄일 수 있습니다.

### 4. 전동공구의 사용 및 관리

1) 전동공구에 무리한 힘을 주지 마십시오. 용도에 맞는 기구를 사용하십시오.

적절한 기구로 신속하고 안전하게 작업할 수 있습니다.

2) 전원스위치가 작동하지 않으면 기구를 사용하지 마십시오.

스위치가 불량한 기구는 위험하므로 반드시 수리해야 합니다.

3) 전동공구의 조절장치 설정을 변경하거나, 부속품을 교환하거나, 보관하기 전에 전원에서 플러그를 뽑아야 합니다.

이러한 예방 안전법을 준수하면 예상치 못한 기구의 시동 위험이 감소합니다.

4) 사용하지 않는 전동공구는 어린이나 숙련되지 않은 사람의 손이 닿지 않는 곳에 보관하십시오.

숙련되지 않은 사용자가 전동공구를 사용하기에는 위험합니다.

5) 전동공구를 관리하십시오. 조정 불량이나 구동 부위의 박힘, 부속의 파손이나 전동공구 작동에 영향을 줄 수 있는 기타 상태를 확인하십시오. 손상되었다면, 사용하기 전에 수리하셔야 합니다.

정비가 불량하면 많은 사고가 발생합니다.

6) 절삭 도구를 날카롭고 깨끗하게 하십시오.

날카롭게 잘 정비한 절삭도구는 작업 대상물에 잘 박히지 않고, 제어하기 쉽습니다.

7) 작업 상태나 수행할 작업을 고려하여, 본 지시사항에 따라 특정 용도로 전동공구 및 부속품, 기구 비트를 사용하십시오.

사용 목적에 맞지 않는 전동공구의 사용으로 위험에 처할 수 있습니다.

### 5. 전지기구 사용 및 관리

1) 전지를 넣기 전에 스위치가 OFF 상태임을 확인하십시오.

스위치가 켜진 상태에서 전동공구에 전지를 넣으면 사고가 일어날 수 있습니다.

2) 제조사에 맞는 충전기만으로 충전하십시오.

어느 한 전지에 맞는 충전기를 다른 종류의 전지에 사용하면 화재 위험이 있을 수 있습니다.

**3) 전동공구에는 특정 전지만을 사용하십시오.**

다른 전지를 사용하면 부상이나 화재의 위험이 있을 수 있습니다.

**4) 전지를 사용하지 않을 때에는 클립이나 동전, 열쇠, 못, 나사 및 전지의 양 끝을 이어줄 수 있는 기타 작은 금속 물체에 가까이 두지 마십시오.**

전지의 극을 가까이 두면 화상이나 화재 위험이 있을 수 있습니다.

**5) 남용 시, 전지에서 액체가 새어나올 수 있으며, 이를 만지지 마십시오. 우연히 만졌을 경우, 물로 씻어내십시오. 액체가 눈에 들어갔을 경우에는 의사의 진찰을 받으십시오.**

전지에서 새어 나온 액체로 염증이나 화상을 입을 수 있습니다.

**6. 서비스**

**1) 동일한 교체 부품을 이용하는 유자격 수리공에게 전동공구 서비스를 받으십시오.**

전동공구의 안전한 관리를 보장받을 수 있습니다.

- 운송 시 발생할 수 있는 전동공구나 부분 부속품의 손상을 확인하십시오.
- 전동공구를 작동하기에 앞서 본 사용설명서를 완전히 읽고 이해하십시오.

**설명 (fig. A)**

직소 DW341은 나무나 강철, 알루미늄, 플라스틱, 세라믹을 전문적으로 절삭하도록 고안되었습니다.

- 1 전원 스위치
- 2 잠금 버튼
- 3 속도 조절 다이얼
- 4 톱밥 블로우어
- 5 톱날 걸쇠
- 6 핑거 가드
- 7 톱날 받침
- 8 가이드 롤러
- 9 발판
- 10 진자 스트로크

**전기 안전**

전기 모터는 한 가지 전압에만 사용할 수 있습니다. 계기판에서 전원 공급장치가 전압에 맞는지 항상 확인하십시오.



DeWALT 전동공구는 EN 60745에 따라 이중으로 절연되어 있습니다. 그러므로 피뢰선이 필요하지 않습니다.

**연장케이블 사용**

연장케이블이 필요하다면 본 전동공구의 전원 인풋에 맞는 연장케이블을 사용하십시오(기술 데이터 참조). 최소 도체 크기는 1.5mm<sup>2</sup>입니다. 케이블릴 사용시, 케이블을 완전히 풀어주십시오.

**조립 및 조정**



조립 및 조정에 앞서 전동공구의 플러그를 연결하지 마십시오.

**톱날 조정 및 제거하기 (Fig. B)**

톱날 교체 시스템으로 톱날을 빠르고 쉽게 교체할 수 있습니다.

- 톱날 걸쇠(5)를 완전히 접어 톱날 받침(7)를 열어줍니다.
- 가이드 롤러(8)의 홈으로 날의 뒷 부분을 넣어 톱날 받침(7)에 톱날을 삽입합니다.
- 톱날 걸쇠(5)를 풀어줍니다.
- 톱날을 제거하기 위해, 톱날 걸쇠를 완전히 접고 받침에서 톱날을 빼냅니다

**경사각 설정하기 (Fig. C)**

조정 발판(9)은 45도의 경사각으로 오른손잡이와 왼손잡이가 모두 절삭할 수 있습니다. 각도는 0°와 45°로 설정되어 있습니다.

- Torx 렌치를 이용해 나사(11)를 풀어줍니다.
- 톱날을 향해 발판(9)을 서서히 움직입니다.
- 발판을 기울이고 그 장치를 이용해 원하는 경사각을 설정합니다.
- 슈레버를 조여줍니다.

**진자 스트로크 설정하기 (fig. A)**

조정 진자 스트로크는 각 재료에서 완벽한 절삭 스트로크를 보장합니다.

- 아래 표를 참조하여 원하는 위치로 선택기(10)를 서서히 움직입니다. 작동 시 선택기를 조정할 수 있습니다.

위치	나무	금속	플라스틱
2	신속한 절삭	-	PVC
2	두꺼운 판	-	유리섬유 아크릴
1	합판 칩보드	알루미늄 비철금속	-
0	얇은 판 미세 절삭	판금	-

**플라스틱 긁힘 방지 발판 커버 설치하기 (fig. D)**

긁힘 방지 발판 커버(12)는 민감한 작업 대상물의 표면 손상을 줄여줍니다.

- 그림처럼 발판에 커버를 고정합니다.



적절한 시기에, 먼지 방출 지시에 맞는 먼지 흡착기를 연결합니다.



금속을 절삭할 때, 스파크 보호대 없이 먼지 흡착기를 사용하지 마십시오.

**사용 시 주의사항**



- 항상 안전 지침과 관련 규정을 살펴보십시오.
- 작업 대상물이 관창은지 확인하십시오. 못과 나사, 톱날에 손상을 줄 수 있는 기타 침체를 제거하십시오.
- 작업 대상물 밀면에 톱날이 들어갈 충분한 공간이 있는지 확인하십시오. 톱날의 최대 절삭 깊이 이상인 경우 재료를 절삭하지 마십시오.
- 날카로운 톱날만 사용하십시오. 손상되거나 구부러진 톱날은 즉시 제거하여야 합니다.
- 파이프나 관을 절삭하는데 사용하지 마십시오.

- 톱날 없이 전동공구를 절대 작동시키지 마십시오.
- 최적의 결과를 위해, 작업 대상물 위에서 전동공구를 부드럽고 일정하게 움직이십시오. 톱날의 측면으로 힘을 주지 마십시오. 작업 대상물에서 발판을 평평하게 하고, 전동공구에 일렬로 코드를 끌어넣으십시오. 곡선이나 원, 기타 원형을 절삭할 경우, 전동공구를 앞으로 부드럽게 돌려줍니다.
- 톱날을 작업 대상물에서 빼내기 전에 전동공구가 멈출 때까지 기다리십시오. 절삭 후, 톱날은 아주 뜨거울 것입니다. 만지지 마십시오.

**스위치 On/Off (fig. A)**

**DW341**

- 전동공구를 작동하기 위해서는 전원 스위치(1)를 눌러야 합니다.
- 지속적인 작동을 하려면 스위치를 누르고 아래로 잡거나, 잠금 버튼(2)을 누르고 스위치를 놓아줍니다.
- 전동공구를 멈추려면, 스위치를 놓습니다.
- 전동공구의 지속적인 작동을 멈추려면, 짧게 스위치를 누릅니다. 작업이 마쳤을 때나 플러그를 뽑기 전에는 항상 스위치를 끄십시오.

**전기 절삭 속도 설정하기 (fig. E)**

**DW341 (fig. E)**

전원 스위치(1)를 누르는 힘에 따라 절삭 속도가 다양합니다.

- 절삭 속도를 설정하려면, 조절 다이얼(3)을 원하는 만큼 돌려줍니다. 그 비가 높을수록 절삭 속도가 높아집니다. 작업 대상물의 두께와 종류에 따라 설정이 달라집니다.
- 나무와 같은 부드러운 재료를 절삭할 경우 고속으로 하십시오. 금속을 절삭할 경우 저속으로 하십시오.



저속 설정에서 오래 전동공구를 사용한 후에는 최대 무부하 속도로 약 3분간 작동시켜 줍니다.

**전동공구 붙들기 (Fig. F)**

- 그림과 같이 전동공구를 잡습니다.  
- DW341: Fig. F



**나무 절삭하기**

- 필요한 경우 절삭선을 그림니다.
- 전동공구의 스위치를 켭니다.
- 작업 대상물에서 전동공구를 잡고 선을 따라갑니다.
- 작업 대상물의 모서리에 평행하게 절삭하려면, 평행판을 설치하고, 그림 H처럼 작업 대상물을 따라 직소를 사용합니다.

**깊잡이 구멍을 이용하여 나무 절삭하기**

- 필요한 경우 절삭선을 그림니다.
- 구멍을 뚫고(ø min. 12 mm) 톱날을 넣습니다.
- 스위치를 켜고 선을 따라갑니다.
- 완벽하게 원형으로 절삭하려면, 트래멀 바를 설치하고 원하는 반경으로 맞춰줍니다(Fig. H).

**튀어나온 모서리 잘라내기 (fig. A&I)**

- 일반 톱날을 이용해 튀어나온 모서리를 잘라냅니다.
- 평평한 절삭 날로 마무리합니다.

**금속 절삭하기**

- 알맞은 톱날을 설치합니다.
- 상기 설명한 바대로 과정을 수행합니다.



냉각 윤활제(절삭유)를 사용하여 톱날이나 작업 대상물의 과열을 방지합니다.

**관리**

최소한의 관리로 DeWALT 전동공구를 오랫동안 사용할 수 있도록 고안했습니다. 지속적인 안전 작업을 위해서는 적절한 도구 관리와 규칙적인 세척이 필요합니다.



**가이드롤러 윤활하기 (fig. B)**

- 정기적으로 가이드롤러(8)에 기름 한 방울을 칠해 줍니다.



**세척**

환기구를 깨끗이 하고, 정기적으로 부드러운 천으로 보관상자를 닦아줍니다.

**환경 보호**



분리수거 하십시오. 본 제품은 일반 쓰레기와 함께 버리지 마십시오.

DeWALT 제품을 교체해야 하거나, 더 이상 사용하지 않으실 경우, 일반 쓰레기와 함께 버리지 마십시오. 분리 수거가 가능하게 하십시오.



사용한 제품을 분리수거 및 포장하면 재료를 재활용할 수 있게 됩니다. 재활용품의 재사용으로 환경오염을 예방하고, 원료 수요를 낮춰주는데 도움이 됩니다.

**서비스 정보**

DeWALT는 아시아에 자사 소유의 완전한 연락망과 서비스 지사를 제공합니다. 모든 DEWALT 서비스 센터는 소비자에게 능률적이고 신뢰감을 주는 서비스를 제공하도록 교육받은 직원들이 있습니다. 기술적인 조언이나 수리, 진품 공장 교체 부속품이 필요하면, 가까이에 있는 DeWALT 지사에 연락하십시오.

**주:**

- DeWALT의 정책은 자사 제품의 계속적인 향상의 일환으로, 사전 통고 없이 제품 설명서를 수정할 권리가 있습니다.
- 표준 장비와 부속품은 나라마다 다를 수 있습니다.
- 제품 설명서 또한 나라마다 다를 수 있습니다.
- 모든 나라에서 모든 제품이 가능하지 않을 수 있습니다. DeWALT 지사에 가능한 제품 범위에 관해 문의하십시오.

