

*If you have questions or comments, contact us.
Pour toute question ou tout commentaire, nous contacter.
Si tiene dudas o comentarios, contáctenos.*

1-800-4-DEWALT • www.dewalt.com

**INSTRUCTION MANUAL
GUIDE D'UTILISATION
MANUAL DE INSTRUCCIONES**

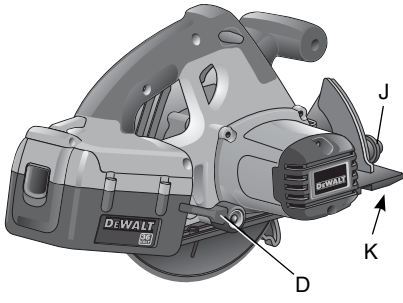
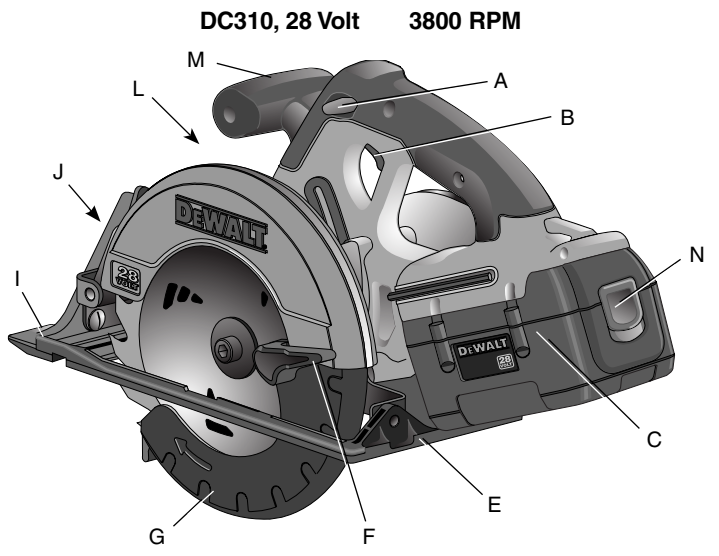
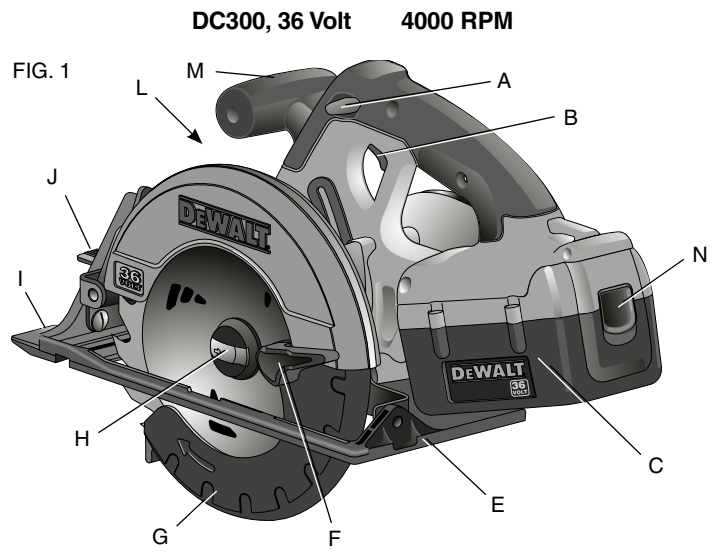
INSTRUCTIVO DE OPERACIÓN, CENTROS DE SERVICIO Y PÓLIZA DE GARANTÍA. **ADVERTENCIA:** LÉASE ESTE INSTRUCTIVO ANTES DE USAR EL PRODUCTO.

DEWALT®

**DC300 36V Cordless Circular Saw
DC310 28V Cordless Circular Saw**

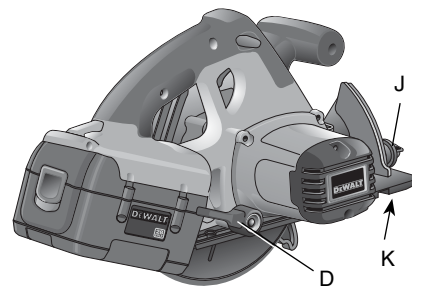
**DC300 Scie circulaire sans fil de 36 volts
DC310 Scie circulaire sans fil de 28 volts**

**DC300 Sierra circular inalámbrica de 36 V
DC310 Sierra circular inalámbrica de 28 V**



- A. SWITCH LOCK-OFF BUTTON
- B. TRIGGER SWITCH
- C. BATTERY PACK
- D. DEPTH ADJUSTMENT LEVER
- E. SHOE
- F. LOWER GUARD RETRACTING LEVER
- G. LOWER GUARD
- H. KEYLESS BLADE CLAMP (DC300 ONLY)

- I. KERF INDICATOR
- J. BEVEL ADJUSTMENT LEVER (DC300) OR KNOB (DC310)
- K. ADJUSTMENT SCREW (not shown)
- L. BLADE LOCK BUTTON (not shown)
- M. AUXILIARY HANDLE
- N. BATTERY RELEASE BUTTON



IF YOU HAVE ANY QUESTIONS OR COMMENTS ABOUT THIS OR ANY DEWALT TOOL, CALL US TOLL FREE AT: 1-800-4-DEWALT (1-800-433-9258)

General Safety Rules

⚠ WARNING! Read all instructions. Failure to follow all instructions listed below may result in electric shock, fire and/or serious injury. The term “power tool” in all of the warnings listed below refers to your mains-operated (corded) power tool or battery-operated (cordless) power tool.

SAVE THESE INSTRUCTIONS

1) WORK AREA SAFETY

- a) **Keep work area clean and well lit.** Cluttered or dark areas invite accidents.
- b) **Do not operate power tools in explosive atmospheres, such as in the presence of flammable liquids, gases or dust.** Power tools create sparks which may ignite the dust or fumes.
- c) **Keep children and bystanders away while operating a power tool.** Distractions can cause you to lose control.

2) ELECTRICAL SAFETY

- a) **Power tool plugs must match the outlet. Never modify the plug in any way. Do not use any adapter plugs with earthed (grounded) power tools.** Unmodified plugs and matching outlets will reduce risk of electric shock.
- b) **Avoid body contact with earthed or grounded surfaces such as pipes, radiators, ranges and refrigerators.** There is an increased risk of electric shock if your body is earthed or grounded.
- c) **Do not expose power tools to rain or wet conditions.** Water entering a power tool will increase the risk of electric shock.

- d) **Do not abuse the cord. Never use the cord for carrying, pulling or unplugging the power tool. Keep cord away from heat, oil, sharp edges or moving parts.** Damaged or entangled cords increase the risk of electric shock. Replace or repair damaged cords. Make sure your extension cord is in good condition. Use only 3-wire extension cords that have 3-prong grounding-type plugs and 3-pole receptacles that accept the tool's plug.
- e) **When operating a power tool outdoors, use an extension cord suitable for outdoor use.** Use of a cord suitable for outdoor use reduces the risk of electric shock. When using an extension cord, be sure to use one heavy enough to carry the current your product will draw. An undersized cord will cause a drop in line voltage resulting in loss of power and overheating. The following table shows the correct size to use depending on cord length and nameplate ampere rating. If in doubt, use the next heavier gage. The smaller the gage number, the heavier the cord.

Recommended Minimum Wire Size for Extension Cords

Total Length of Cord		25 ft.	50 ft.	75 ft.	100 ft.	125 ft.	150 ft.	175 ft.
7.6 m		15.2 m	22.9 m	30.5 m	38.1 m	45.7 m	53.3 m	
Wire Size AWG		18	18	16	16	14	14	12

3) PERSONAL SAFETY

- a) **Stay alert, watch what you are doing and use common sense when operating a power tool. Do not use a power tool while you are tired or under the influence of drugs, alcohol or medication.** A moment of inattention while operating power tools may result in serious personal injury.
- b) **Use safety equipment. Always wear eye protection.** Safety equipment such as dust mask, non-skid safety shoes, hard

hat, or hearing protection used for appropriate conditions will reduce personal injuries.

- c) **Avoid accidental starting. Ensure the switch is in the off-position before plugging in.** Carrying power tools with your finger on the switch or plugging in power tools that have the switch on invites accidents.
 - d) **Remove any adjusting key or wrench before turning the power tool on.** A wrench or a key left attached to a rotating part of the power tool may result in personal injury.
 - e) **Do not overreach. Keep proper footing and balance at all times.** This enables better control of the power tool in unexpected situations.
 - f) **Dress properly. Do not wear loose clothing or jewellery. Keep your hair, clothing and gloves away from moving parts.** Loose clothes, jewellery or long hair can be caught in moving parts. Air vents often cover moving parts and should also be avoided.
 - g) **If devices are provided for the connection of dust extraction and collection facilities, ensure these are connected and properly used.** Use of these devices can reduce dust-related hazards.
- 4) **POWER TOOL USE AND CARE**
- a) **Do not force the power tool. Use the correct power tool for your application.** The correct power tool will do the job better and safer at the rate for which it was designed.
 - b) **Do not use the power tool if the switch does not turn it on and off.** Any power tool that cannot be controlled with the switch is dangerous and must be repaired.
 - c) **Disconnect the plug from the power source and/or the battery pack from the power tool before making any adjustments, changing accessories, or storing power tools.** Such preventive safety measures reduce the risk of starting the power tool accidentally.

- d) **Store idle power tools out of the reach of children and do not allow persons unfamiliar with the power tool or these instructions to operate the power tool.** Power tools are dangerous in the hands of untrained users.
- e) **Maintain power tools. Check for misalignment or binding of moving parts, breakage of parts and any other condition that may affect the power tools operation. If damaged, have the power tool repaired before use.** Many accidents are caused by poorly maintained power tools.
- f) **Keep cutting tools sharp and clean.** Properly maintained cutting tools with sharp cutting edges are less likely to bind and are easier to control.
- g) **Use the power tool, accessories and tool bits etc., in accordance with these instructions and in the manner intended for the particular type of power tool, taking into account the working conditions and the work to be performed.** Use of the power tool for operations different from those intended could result in a hazardous situation.

5) BATTERY TOOL USE AND CARE

- a) **Ensure the switch is in the off position before inserting battery pack.** Inserting the battery pack into power tools that have the switch on invites accidents.
- b) **Recharge only with the charger specified by the manufacturer.** A charger that is suitable for one type of battery pack may create a risk of fire when used with another battery pack.
- c) **Use power tools only with specifically designated battery packs.** Use of any other battery packs may create a risk of injury and fire.
- d) **When battery pack is not in use, keep it away from other metal objects like paper clips, coins, keys, nails, screws, or other small metal objects that can make a connection from one terminal to another.** Shorting the battery terminals together may cause burns or a fire.

- e) *Under abusive conditions, liquid may be ejected from the battery, avoid contact. If contact accidentally occurs, flush with water. If liquid contacts eyes, additionally seek medical help.* Liquid ejected from the battery may cause irritation or burns.

6) SERVICE

- a) *Have your power tool serviced by a qualified repair person using only identical replacement parts. This will ensure that the safety of the power tool is maintained.*

Additional Safety Rules for Circular Saws

⚠ DANGER: *Keep hands away from cutting area and blade. Keep your second hand on auxiliary handle or motor housing. If both hands are holding the saw, they cannot be cut by the blade.*

- **Keep your body positioned to either side of the blade, but not in line with the saw blade.** KICKBACK could cause the saw to jump backwards (see KICKBACK).
- **Do not reach underneath the work.** The guard can not protect you from the blade below the work.
- **Adjust the cutting depth to the thickness of the workpiece.** Less than a full tooth of the blade teeth should be visible below the workpiece.
- **Never hold piece being cut in your hands or across your leg. Secure the workpiece to a stable platform.** It is important to support the work properly to minimize body exposure, blade binding, or loss of control.
- **Check lower guard for proper closing before use. Do not operate saw if lower guard does not move freely and close instantly. Never clamp or tie the lower guard into the open position.** If saw is accidentally dropped, lower guard may be bent. Raise the lower guard with the Retracting Handle and make sure it moves freely and does not touch the blade or any other part, in all angles and depths of cut.

- **Check the operation and condition of the lower guard spring. If the guard and the spring are not operating properly, they must be serviced before use.** Lower guard may operate sluggishly due to damaged parts, gummy deposits, or a buildup of debris.
- **Lower guard should be retracted manually only for special cuts such as “Pocket Cuts” and “Compound Cuts.” Raise lower guard by Retracting Handle. As soon as blade enters the material, lower guard must be released.** For all other sawing, the lower guard should operate automatically.
- **Always observe that the lower guard is covering the blade before placing saw down on bench or floor.** An unprotected, coasting blade will cause the saw to walk backwards, cutting whatever is in its path. Be aware of the time it takes for the blade to stop after switch is released.
- **Hold tool by insulated gripping surfaces when performing an operation where the cutting tool may contact hidden wiring.** Contact with a “live” wire will make exposed metal parts of the tool “live” and shock the operator.
- **When ripping always use a rip fence or straight edge guide.** This improves the accuracy of cut and reduces the chance for blade binding.
- **Always use blades with correct size and shape (diamond vs. round) arbor holes.** Blades that do not match the mounting hardware of the saw will run eccentrically, causing loss of control.
- **Never use damaged or incorrect blade washers or bolts.** The blade washers and bolt were specially designed for your saw, for optimum performance and safety of operation.
- **Avoid cutting nails.** Inspect for and remove all nails from lumber before cutting.

CAUSES AND OPERATOR PREVENTION OF KICKBACK

- **Kickback is a sudden reaction to a pinched, bound or misaligned saw blade, causing an uncontrolled saw to lift up and out of the workpiece toward the operator.**

- When the blade is pinched or bound tightly by the kerf closing down, the blade stalls and the motor reaction drives the unit rapidly back toward the operator.
 - If the blade becomes twisted or misaligned in the cut, the teeth at the back edge of the blade can dig into the top surface of the wood causing the blade to climb out of the kerf and jump back toward operator.
 - Kickback is the result of tool misuse and/or incorrect operating procedures or conditions and can be avoided by taking proper precautions as given below:
 - **Maintain a firm grip with both hands on the saw and position your body and arm to allow you to resist kickback forces.** Kickback forces can be controlled by the operator, if proper precautions are taken.
 - **When blade is binding, or when interrupting a cut for any reason, release the trigger and hold the saw motionless in the material until the blade comes to a complete stop. Never attempt to remove the saw from the work or pull the saw backward while the blade is in motion or kickback may occur.** Investigate and take corrective actions to eliminate the cause of blade binding.
 - **When restarting a saw in the workpiece, center the saw blade in the kerf and check that the saw teeth are not engaged into the material.** If saw blade is binding, it may walk up or kickback from the workpiece as the saw is restarted.
 - **Support large panels to minimize the risk of blade pinching and kickback.** Large panels tend to sag under their own weight. Support must be placed under the panel on both sides, near the line of cut and near the edge of the panel.
 - **Do not use dull or damaged blade.** Unsharpened or improperly set blades produce narrow kerf causing excessive friction, blade binding, and kickback.
 - **Blade depth and bevel adjusting locking levers must be tight and secure before making cut.** If blade adjustment shifts while cutting, it may cause binding and KICKBACK.
 - **Use extra caution when making a “Pocket Cut” into existing walls or other blind areas.** The protruding blade may cut objects that can cause kickback.
- ⚠ **WARNING: ALWAYS** use safety glasses. Everyday eyeglasses are NOT safety glasses. Also use face or dust mask if cutting operation is dusty. ALWAYS WEAR CERTIFIED SAFETY EQUIPMENT:
- ANSI Z87.1 eye protection (CAN/CSA Z94.3),
 - ANSI S12.6 (S3.19) hearing protection,
 - NIOSH/OSHA/MSHA respiratory protection.
- ⚠ **WARNING:** Some dust created by power sanding, sawing, grinding, drilling, and other construction activities contains chemicals known to cause cancer, birth defects or other reproductive harm. Some examples of these chemicals are:
- lead from lead-based paints,
 - crystalline silica from bricks and cement and other masonry products, and
 - arsenic and chromium from chemically-treated lumber (CCA).
- Your risk from these exposures varies, depending on how often you do this type of work. To reduce your exposure to these chemicals: work in a well ventilated area, and work with approved safety equipment, such as those dust masks that are specially designed to filter out microscopic particles.
- **Avoid prolonged contact with dust from power sanding, sawing, grinding, drilling, and other construction activities. Wear protective clothing and wash exposed areas with soap and water.** Allowing dust to get into your mouth, eyes, or lay on the skin may promote absorption of harmful chemicals.
- ⚠ **WARNING:** Use of this tool can generate and/or disburse dust, which may cause serious and permanent respiratory or other injury. Always use NIOSH/OSHA approved respiratory protection appropriate for the dust exposure. Direct particles away from face and body.

⚠ WARNING: Always use eye protection. All users and bystanders must wear eye protection that conforms to ANSI Z87.1.

⚠ WARNING: Always wear proper personal hearing protection that conforms to ANSI S12.6 (S3.19) during use. Under some conditions and duration of use, noise from this product may contribute to hearing loss.

⚠ CAUTION: When not in use, place circular saw on a stable surface, shoe side down, where it will not cause a tripping or falling hazard. Some tools with large battery packs will stand upright on the battery pack but may be easily knocked over.

- The label on your tool may include the following symbols. The symbols and their definitions are as follows:

V..... volts	A..... amperes
Hz..... hertz	W..... watts
min minutes	~ alternating current
== direct current	n _o no load speed
⚠ Class I Construction (grounded)	⊕ earthing terminal
□ Class II Construction (double insulated)	⚠ safety alert symbol
BPM..... beats per minute	.../min..... revolutions or reciprocation per minute

Important Safety Instructions for Battery Chargers

SAVE THESE INSTRUCTIONS: This manual contains important safety instructions for battery chargers.

- Before using charger, read all instructions and cautionary markings on charger, battery pack, and product using battery pack.

⚠ WARNING: Shock hazard. Do not allow any liquid to get inside charger.

⚠ CAUTION: Burn hazard. To reduce the risk of injury, charge only DEWALT batteries. Other types of batteries may burst causing personal injury and damage.

⚠ CAUTION: Under certain conditions, with the charger plugged in to the power supply, the charger can be shorted by foreign material. Foreign materials of a conductive nature such as, but not limited to, steel wool, aluminum foil, or any buildup of metallic particles should be kept away from charger cavities. Always unplug the charger from the power supply when there is no battery pack in the cavity. Unplug charger before attempting to clean.

- DO NOT attempt to charge the battery pack with any chargers other than the ones in this manual.** The charger and battery pack are specifically designed to work together.
- These chargers are not intended for any uses other than charging DEWALT rechargeable batteries.** Any other uses may result in risk of fire, electric shock or electrocution.
- Do not expose charger to rain or snow.**
- Pull by plug rather than cord when disconnecting charger.** This will reduce risk of damage to electric plug and cord.
- Make sure that cord is located so that it will not be stepped on, tripped over, or otherwise subjected to damage or stress.**
- Do not use an extension cord unless it is absolutely necessary.** Use of improper extension cord could result in risk of fire, electric shock, or electrocution.
- An extension cord must have adequate wire size (AWG or American Wire Gauge) for safety.** The smaller the gauge number of the wire, the greater the capacity of the cable, that is 16 gauge has more capacity than 18 gauge. When using more than one extension to make up the total length, be sure each individual extension contains at least the minimum wire size.
- Do not place any object on top of charger or place the charger on a soft surface that might block the ventilation**

slots and result in excessive internal heat. Place the charger in a position away from any heat source. The charger is ventilated through slots in the top and the bottom of the housing.

- **Do not mount charger on wall or permanently affix charger to any surface.** The charger is intended to use on a flat, stable surface (i.e., table top, bench top).
- **Do not operate charger with damaged cord or plug** — have them replaced immediately.
- **Do not operate charger if it has received a sharp blow, been dropped, or otherwise damaged in any way.** Take it to an authorized service center.
- **Do not disassemble charger; take it to an authorized service center when service or repair is required.** Incorrect reassembly may result in a risk of electric shock, electrocution or fire.
- **Disconnect the charger from the outlet before attempting any cleaning. This will reduce the risk of electric shock.** Removing the battery pack will not reduce this risk.
- **NEVER attempt to connect 2 chargers together.**
- **The charger is designed to operate on standard household electrical power (120 Volts). Do not attempt to use it on any other voltage.**

SAVE THESE INSTRUCTIONS

Introduction

The DC9000 charger is designed to charge DEWALT battery packs in approximately 1 hour. This charger requires no adjustment and is designed to be as easy as possible to operate. Simply place your battery pack into the receptacle of a plugged in charger and it will automatically charge the pack.

Important Safety Instruction for Battery Packs

⚠ WARNING: For safe operation, read this manual and manuals originally supplied with tool before using the charger.

When ordering replacement battery packs, be sure to include catalog number and voltage. Consult the chart on the last page of this manual for compatibility of chargers and battery packs.

The battery pack is not fully charged out of the carton. Before using the battery pack and charger, read the safety instructions below. Then follow charging procedures outlined.

READ ALL INSTRUCTIONS

- **Do not incinerate the battery pack even if it is severely damaged or is completely worn out.** The battery pack can explode in a fire. Toxic fumes and materials are created when lithium ion battery packs are burned.
- **Do not charge or use battery in explosive atmospheres, such as in the presence of flammable liquids, gases or dust.** Inserting or removing the battery from the charger may ignite the dust or fumes.
- **If battery contents come into contact with the skin, immediately wash area with mild soap and water.** If battery liquid gets into the eye, rinse water over the open eye for 15 minutes or until irritation ceases. If medical attention is needed, the battery electrolyte is composed of a mixture of liquid organic carbonates and lithium salts.
- **Contents of opened battery cells may cause respiratory irritation.** Provide fresh air. If symptoms persists, seek medical attention

⚠ WARNING: Burn hazard. Battery liquid may be flammable if exposed to spark or flame.

- Charge the battery packs only in DEWALT chargers.

- **DO NOT splash or immerse in water or other liquids.**
- **Do not store or use the tool and battery pack in locations where the temperature may reach or exceed 105°F (40°) (such as outside sheds or metal buildings in summer).**

⚠ WARNING: Never attempt to open the battery pack for any reason. If battery pack case is cracked or damaged, do not insert into charger. Do not crush, drop or damage battery pack. Do not use a battery pack or charger that has received a sharp blow, been dropped, run over or damaged in any way (i.e., pierced with a nail, hit with a hammer, stepped on). Damaged battery packs should be returned to service center for recycling.

⚠ WARNING: Fire hazard. Do not store or carry battery so that metal objects can contact exposed battery terminals. For example, do not place battery in aprons, pockets, tool boxes, product kit boxes, drawers, etc., with loose nails, screws, keys, etc. **Transporting batteries can possibly cause fires if the battery terminals inadvertently come in contact with conductive materials such as keys, coins, hand tools and the like.** The US Department of Transportation Hazardous Material Regulations (HMR) actually prohibit transporting batteries in commerce or on airplanes (i.e., packed in suitcases and carry-on luggage) UNLESS they are properly protected from short circuits. So when transporting individual batteries, make sure that the battery terminals are protected and well insulated from materials that could contact them and cause a short circuit.

The RBRC™ Seal

The RBRC™ (Rechargeable Battery Recycling Corporation) Seal on the lithium ion battery (or battery pack) indicates that the costs to recycle the battery (or battery pack) at the end of its useful life have already been paid by DEWALT.

RBRC™ in cooperation with DEWALT and other battery users, has established programs in the United States to facilitate the collection



of spent lithium ion batteries. Help protect our environment and conserve natural resources by returning the spent lithium ion battery to an authorized DEWALT service center or to your local retailer for recycling. You may also contact your local recycling center for information on where to drop off the spent battery. RBRC™ is a registered trademark of the Rechargeable Battery Recycling Corporation.

Storage Recommendations

1. The best storage place is one that is cool and dry away from direct sunlight and excess heat or cold.
2. Long storage will not harm the battery pack or charger. Under proper conditions, they can be stored for 5 years or more.

Charger

Your battery pack requires a 1 hour DEWALT charger. Be sure to read all safety instructions before using your charger. Consult the chart on the back of this manual for compatibility of chargers and battery packs.

Charging Procedure

1. Plug the charger into an appropriate outlet before inserting the battery pack.
2. Insert the battery pack into the charger. The charger is equipped with a three-light fuel gauge that will blink according to the state of charge of the battery pack.
3. The completion of charge is indicated by the three red lights remaining ON continuously. The pack is fully charged and may be used at this time or left on the charger.

	0% - 33%	1 st light blinks
	33% - 66%	1 st light on, 2 nd light blinks
	66% - 99%	1 st , 2 nd lights on, 3 rd light blinks
	100%	1 st , 2 nd , 3 rd lights on

Charger Diagnostics

This charger is designed to detect certain problems that can arise with the battery packs or the charger. Problems are indicated by the three red lights flashing together in different patterns.

PROBLEM POWERLINE

When the charger is used with some portable power sources such as generators or sources that convert DC to AC, the charger may temporarily suspend operation. The three red lights will flash together with **two fast blinks followed by a pause**. This indicates that the power source is out of limits.

BAD BATTERY

The charger can detect a weak or damaged battery. The three red lights will flash together with **rapid blinking**. The battery will no longer charge and should be returned to a service center or a collection site for recycling.

BAD CHARGER

The charger will detect if it is not functioning properly. The three red lights will flash together with **one fast blink followed by a long blink**. The charger will no longer work and should be returned to an authorized service center or replaced.

LEAVING THE BATTERY IN THE CHARGER

The charger and battery pack can be left connected with the red lights glowing indefinitely. The charger will keep the battery pack fresh and fully charged. This charger features an automatic tune-up mode which equals or balances the individual cells in the battery pack to allow it to function at peak capacity. Battery packs should be tuned up weekly or whenever the battery no longer delivers the same amount of work. To use the automatic tune-up mode, place the battery pack in the charger and leave it for at least 8 hours.

Important Charging Notes

1. Longest life and best performance can be obtained if the battery pack is charged when the air temperature is between 65°F and

75°F (18°- 24°C). DO NOT charge the battery pack in an air temperature below +40°F (+4.5°C), or above +105°F (+40.5°C). This is important and will prevent serious damage to the battery pack.

2. The charger and battery pack may become warm to touch while charging. This is a normal condition, and does not indicate a problem. To facilitate the cooling of the battery pack after use, avoid placing the charger or battery pack in a warm environment such as in a metal shed, or an uninsulated trailer.
3. If the battery pack does not charge properly:
 - a. Check current at receptacle by plugging in a lamp or other appliance
 - b. Check to see if receptacle is connected to a light switch which turns power off when you turn out the lights.
 - c. Move charger and battery pack to a location where the surrounding air temperature is approximately 65°F - 75°F (18°- 24°C).
 - d. If charging problems persist, take the tool, battery pack and charger to your local service center.
4. The battery pack should be recharged when it fails to produce sufficient power on jobs which were easily done previously. DO NOT CONTINUE to use under these conditions. Follow the charging procedure. You may also charge a partially used pack whenever you desire with no adverse affect on the battery pack.
5. Foreign materials of a conductive nature such as, but not limited to, steel wool, aluminum foil, or any buildup of metallic particles should be kept away from charger cavities. Always unplug the charger from the power supply when there is no battery pack in the cavity. Unplug charger before attempting to clean.
6. Do not freeze or immerse charger in water or any other liquid.

⚠ WARNING: Shock hazard. Do not allow any liquid to get inside charger.

⚠ CAUTION: Never attempt to open the battery pack for any reason. If the plastic housing of the battery pack breaks or cracks, return to a service center for recycling.

Installing and Removing the Battery Pack (Fig. 2, 3)

NOTE: Make sure your battery pack is fully charged.

⚠ WARNING: Make certain the switch lock-off button (A) is engaged to prevent switch actuation before removing or installing battery.

To install the battery pack into the tool handle, align the base of the tool with the rails inside the tool's handle and slide the battery pack firmly into the handle until you hear the lock snap into place.

FIG. 2

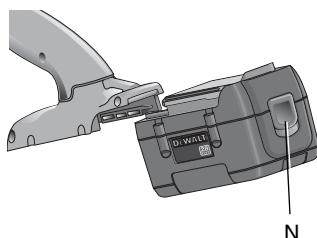
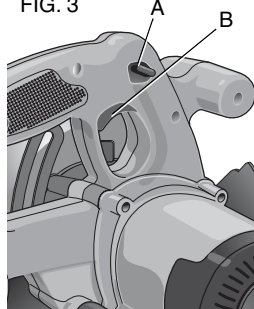


FIG. 3



To remove the battery pack from the tool, press the release button (N) and firmly pull the battery pack out of the tool handle. Insert it into the charger as described in the charger section of this manual.

OPERATION

⚠ WARNING: To reduce the risk of serious personal injury, turn tool off and disconnect tool from battery pack before making any adjustments or removing/installing attachments or accessories.

Switch

Release switch lock-off button (A) by pressing button as shown (Fig. 3). Pull the trigger switch (B) to turn the motor ON. Releasing the trigger switch turns the motor OFF. Releasing the trigger switch also automatically actuates lock-off button.

NOTE: This tool has no provision to lock the switch in the ON position, and should never be locked ON by any other means.

Changing Blades

⚠ WARNING: To reduce the risk of serious personal injury, turn tool off and disconnect tool from battery pack before making any adjustments or removing/installing attachments or accessories.

DC300 ONLY (FIG. 4, 5)

The DC300 is equipped with a keyless blade clamp (H) and is designed to be tightened by hand. The use of external tools may cause damage to this blade clamp.

FIG. 4

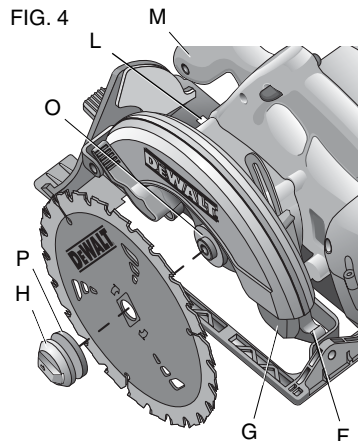
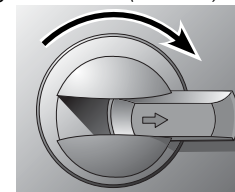
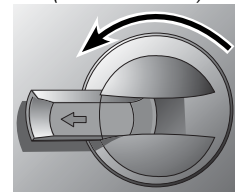


FIG. 5

LOOSEN (clockwise)



TIGHTEN (counterclockwise)



To Install the Blade:

1. Place inner clamp washer (O) on saw spindle with the large flat surface facing out toward the blade (Fig. 4).
2. Retract the lower blade guard (G) and place blade on saw spindle against the inner clamp washer, making sure that the blade will rotate in the proper direction (the direction of the rotation arrow on the saw blade and the teeth must point in the same direction as the direction of rotation arrow on the lower guard). Do not assume that the printing on the blade will always be facing you when properly installed. When retracting the lower blade guard to install the blade, check the condition and operation of the lower blade guard to assure that it is working properly. Make sure it moves freely and does not touch the blade or any other part, in all angles and depths of cut.
3. Place outer clamp washer (P) on saw spindle with the large flat surface against the blade and the side with ratchet teeth facing out.
4. Thread the keyless blade clamp (H) into saw spindle by hand (clamp has left-hand threads and must be turned counterclockwise to tighten, as shown in Figure 5).
5. Depress the blade lock button (L) while turning the saw spindle by hand until the blade lock engages and the blade stops rotating.
6. Extend the lever on the keyless blade clamp (H) and hand tighten firmly (Fig. 5).

CAUTION: Never engage the blade lock while saw is running or engage in an effort to stop the tool. Never turn the saw on while the blade lock is engaged. Serious damage to your saw will result.

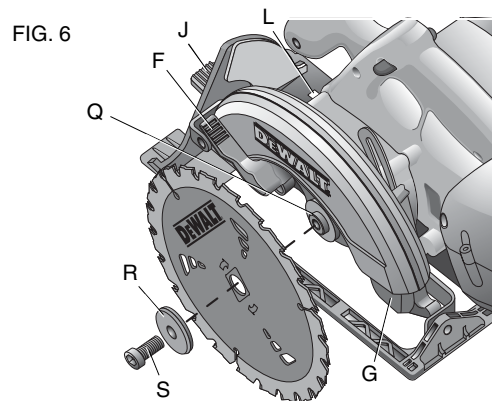
To Replace the Blade (Fig. 4):

1. Depress the blade lock button (L) and turn the saw spindle until the blade lock engages and the blade stops rotating. With the blade lock engaged, extend the lever on the keyless blade clamp and turn clockwise (clamp has left-hand threads and must be turned clockwise to loosen, as shown in Figure 5).

2. Remove the keyless blade clamp (H) and outer clamp washer (P) only. Remove old blade.
3. Clean any sawdust that may have accumulated in the guard or clamp washer area and check the condition and operation of the lower blade guard as previously outlined. Do not lubricate this area.
4. Select the proper blade for the application (see **Blades**). Always use blades that are the correct size (diameter) with the proper size and shape center hole for mounting on the saw spindle. Always assure that the maximum recommended speed (rpm) on the saw blade meets or exceeds the speed (rpm) of the saw.
5. Follow steps 2 through 6 under **To Install the Blade**, making sure that the blade will rotate in the proper direction.

DC310 ONLY (FIG. 6, 7)**To Install the Blade:**

1. Place inner clamp washer (Q) on saw spindle with the large flat surface facing out toward the blade (Fig. 6).



2. Retract the lower blade guard (G) and place blade on saw spindle against the inner clamp washer, making sure that the blade will rotate in the proper direction (the direction of the rotation arrow on the saw blade and the teeth must point in the same direction as the direction of rotation arrow on the saw). Do not assume that the printing on the blade will always be facing you when properly installed. When retracting the lower blade guard to install the blade, check the condition and operation of the lower blade guard to assure that it is working properly. Make sure it moves freely and does not touch the blade or any other part, in all angles and depths of cut.
3. Place outer clamp washer (R) on saw spindle with the large flat surface against the blade with beveled side facing out.
4. Thread blade clamping screw (S) into saw spindle by hand (screw has left-hand threads and must be turned counterclockwise to tighten, as shown in Figure 8).
5. Depress the blade lock (L) while turning the saw spindle with the blade wrench until the blade lock engages and the blade stops rotating (Fig. 7).
6. Tighten the blade clamping screw firmly with the blade wrench.

CAUTION: *Never engage the blade lock while saw is running or engage in an effort to stop the tool. Never turn the saw on while the blade lock is engaged. Serious damage to your saw will result.*

To Replace the Blade (Fig. 7):

1. To loosen the blade clamping screw (S), depress the blade lock button (L) and turn the saw spindle with the blade wrench until the blade lock engages and the blade stops rotating. With the blade lock engaged, turn the blade clamping screw clockwise with the blade wrench (screw has left-hand threads and must be turned clockwise to loosen).
2. Remove the blade clamping screw (S) and outer clamp washer (R) only. Remove old blade.

FIG. 7

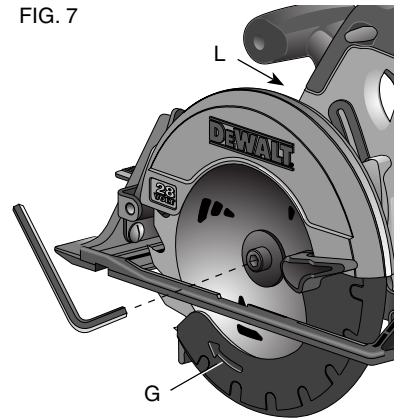
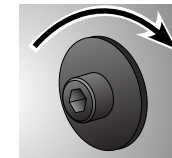
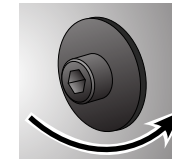


FIG. 8 LOOSEN
(clockwise)



TIGHTEN
(counterclockwise)



3. Clean any sawdust that may have accumulated in the guard or clamp washer area and check the condition and operation of the lower blade guard as previously outlined. Do not lubricate this area.
4. Select the proper blade for the application (see **Blades**). Always use blades that are the correct size (diameter) with the proper size and shape center hole for mounting on the saw spindle. Always assure that the maximum recommended speed (rpm) on the saw blade meets or exceeds the speed (rpm) of the saw.
5. Follow steps 2 through 6 under **To Install the Blade**, making sure that the blade will rotate in the proper direction.

LOWER BLADE GUARD (DC300 and DC310)

⚠ WARNING: *The lower blade guard is a safety feature which reduces the risk of serious personal injury. Never use the saw if the lower guard is missing, damaged, misassembled or not working properly. Do not rely on the lower blade guard to*

protect you under all circumstances. Your safety depends on following all warnings and precautions as well as proper operation of the saw. Check lower guard for proper closing before each use as outlined in Additional Safety Rules for Circular Saws. If the lower blade guard is missing or not working properly, have the saw serviced before using. To assure product safety and reliability, repair, maintenance and adjustment should be performed by an authorized service center or other qualified service organization, always using identical replacement parts.

Blades

⚠ WARNING: To minimize the risk of eye injury, always use eye protection. Carbide is a hard but brittle material. Foreign objects in the workpiece such as wire or nails can cause tips to crack or break. Only operate saw when proper saw blade guard is in place. Mount blade securely in proper rotation before using, and always use a clean, sharp blade.

⚠ CAUTION: Do not cut ferrous metals (steel), masonry, glass, Hardiplank® (or similar masonry-type planking), cement board or tile with this saw.

Do not use abrasive wheels or blades. A dull blade will cause slow, inefficient cutting, overload on the saw motor, excessive splintering, and could increase the possibility of kickback. Please refer to the following table to determine the correct size replacement blade for your model saw.

Model	Diameter	Arbor
DC300	7-1/4"	5/8"
DC310	6-1/2"	5/8"

Use only DEWALT general purpose cutting, smooth wood cutting, or non-carbide plywood/vinyl cutting blades.

If you need assistance regarding blades, please call 1-800-4-DEWALT (1-800-433-9258).

Cutting Depth Adjustment

⚠ WARNING: To reduce the risk of serious personal injury, turn tool off and disconnect tool from battery pack before making any adjustments or removing/installing attachments or accessories.

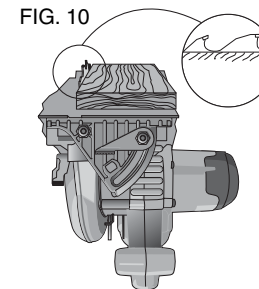
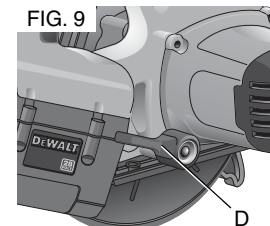
1. Hold the saw firmly and loosen (clockwise) the depth adjustment lever (Fig. 9, D) and move shoe to obtain the desired depth of cut.
2. Make sure the depth adjustment lever has been retightened (counterclockwise) before operating saw.

For the most efficient cutting action, set the depth adjustment so that one tooth of the blade will project below the material to be cut. This distance is from the tip of the tooth to the bottom of the gullet in front of it. This keeps blade friction at a minimum, removes sawdust from the cut, results in cooler, faster sawing and reduces the chance of kickback. A method for checking for correct cutting depth is shown in Figure 10. Lay a piece of the material you plan to cut along the side of the blade, as shown, and observe how much tooth projects beyond the material.

NOTE: When using carbide-tipped blades, make an exception to the above rule and allow only one-half of a tooth to project below the material to be cut.

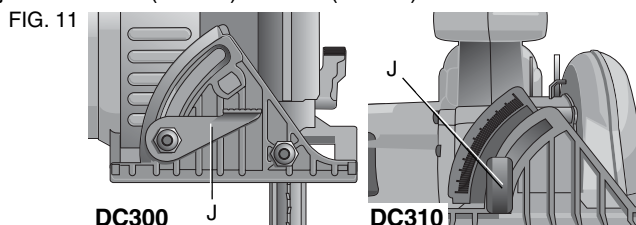
Bevel Angle Adjustment (Fig. 11)

⚠ WARNING: To reduce the risk of serious personal injury, turn tool off and disconnect tool from battery pack before



making any adjustments or removing/installing attachments or accessories.

The full range of the bevel adjustment is from 0° to 50°. The pivot bracket is graduated in increments of 1°. On the front of the saw is a bevel angle adjustment mechanism (Fig. 11) consisting of a calibrated pivot bracket and a bevel adjustment lever (DC300) or knob (DC310).



TO SET THE SAW FOR A BEVEL CUT (FIG.11)

1. Raise the lever or knob (J) to loosen the bevel adjustment and tilt shoe to the desired angle by aligning the pointer with the desired angle mark.
2. Retighten the bevel adjustment by lowering the lever.

Bevel Detent (DC300 only)

⚠ WARNING: To reduce the risk of serious personal injury, turn tool off and disconnect tool from battery pack before making any adjustments or removing/installing attachments or accessories.

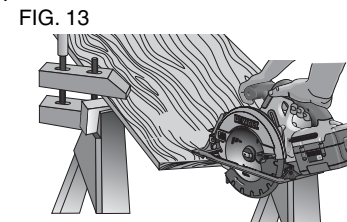
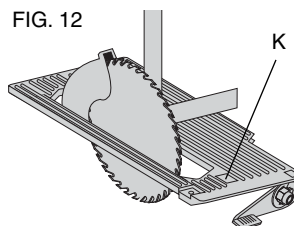
The saw is equipped with a bevel detent feature. As you tilt the shoe you will hear a click and feel the shoe stop at both 22.5 and 45 degrees. If either of these is the desired angle, retighten the lever (J) by lowering it. If you desire another angle, continue tilting the shoe until the pointer aligns with the desired mark. Retighten lever (J) by lowering it.

Shoe Adjustment for 90° Cuts

⚠ WARNING: To reduce the risk of serious personal injury, turn tool off and disconnect tool from battery pack before making any adjustments or removing/installing attachments or accessories.

IF ADDITIONAL ADJUSTMENT IS NEEDED (FIG. 12)

1. Adjust the saw to 0° bevel.
2. Retract blade guard. Place the saw on blade side.
3. Loosen bevel adjustment lever or knob (J). Place a square against the blade and shoe to adjust the 90° setting.
4. Turn the adjustment screw (K) on the underside of the shoe until the blade and the shoe are both in flush contact with the square. Retighten the bevel adjust lever or knob.
5. Confirm the accuracy of the setting by checking the squareness of an actual cut on a scrap piece of material.



Kerf Indicator

The front of the saw shoe has a kerf indicator for vertical and bevel cutting. This indicator enables you to guide the saw along cutting lines penciled on the material being cut. The indicator lines up with the left (outer) side of the saw blade, which makes the slot or “kerf” cut by the moving blade fall to the right of the indicator. Guide along the penciled cutting line so that the kerf falls into the waste or surplus material.

FIG. 14

DO support board or panel NEAR the cut.

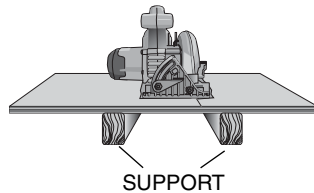
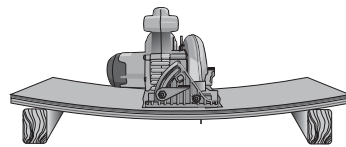


FIG. 15

DON'T support board or panel AWAY from the cut.



Workpiece Support

▲ WARNING: It is important to support the work properly and to hold the saw firmly to prevent loss of control which could cause personal injury. Figure 13 illustrates proper hand support of the saw. Maintain a firm grip with both hands on the saw and position your body and arm to allow you to resist kickback if it occurs.

Figure 13 shows proper sawing position. Note that hands are kept away from cutting area. **To avoid kickback**, DO support board or panel NEAR the cut (Fig. 14). DON'T support board or panel away from the cut (Fig. 15).

Place the work with its "good" side – the one on which appearance is most important – down. The saw cuts upward, so any splintering will be on the work face that is up when you cut it.

Cutting

Place the wider portion of the saw shoe on that part of the workpiece which is solidly supported, not on the section that will fall off when the cut is made. As examples, Figure 13 illustrates the RIGHT way to cut off the end of a board. Always clamp work. Don't try to hold short pieces by hand! Remember to support cantilevered and overhanging material. Use caution when sawing material from below.

Be sure saw is up to full speed before blade contacts material to be cut. Starting saw with blade against material to be cut or pushed forward into kerf can result in kickback. Push the saw forward at a speed which allows the blade to cut without laboring. Hardness and toughness can vary even in the same piece of material, and knotty or damp sections can put a heavy load on the saw. When this happens, push the saw more slowly, but hard enough to keep working without much decrease in speed. Forcing the saw can cause rough cuts, inaccuracy, kickback, and over-heating of the motor. Should your cut begin to go off the line, don't try to force it back on. Release the switch and allow blade to come to a complete stop. Then you can withdraw the saw, sight anew, and start a new cut slightly inside the wrong one. In any event, withdraw the saw if you must shift the cut. Forcing a correction inside the cut can stall the saw and lead to kickback.

IF SAW STALLS, RELEASE THE TRIGGER AND BACK THE SAW UNTIL IT IS LOOSE. BE SURE BLADE IS STRAIGHT IN THE CUT AND CLEAR OF THE CUTTING EDGE BEFORE RESTARTING.

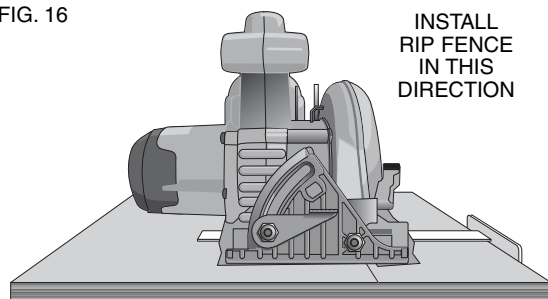
As you finish a cut, release the trigger and allow the blade to stop before lifting the saw from the work. As you lift the saw, the spring-tensioned telescoping guard will automatically close under the blade. Remember the blade is exposed until this occurs. Never reach under the work for any reason. When you have to retract the telescoping guard manually (as is necessary for starting pocket cuts) always use the retracting lever.

NOTE: When cutting thin strips, be careful to ensure that small cutoff pieces don't hang up on inside of lower guard.

RIPPING (FIG. 16)

Ripping is the process of cutting wider boards into narrower strips – cutting grain lengthwise. Hand guiding is more difficult for this type of sawing and the use of a rip fence is recommended.

FIG. 16



INSTALL
RIP FENCE
IN THIS
DIRECTION

POCKET CUTTING (FIG. 17)

⚠ WARNING: To reduce the risk of serious personal injury, turn tool off and disconnect tool from battery pack before making any adjustments or removing/installing attachments or accessories.

⚠ WARNING: Never tie the blade guard in a raised position. Never move the saw backwards when pocket cutting. This may cause the unit to raise up off the work surface which could cause injury.

A pocket cut is one that is made in a floor, wall, or other flat surface.

1. Adjust the saw shoe so the blade cuts at desired depth.
2. Tilt the saw forward and rest front of the shoe on material to be cut.
3. Using the retracting lever, retract lower blade guard to an upward position. Lower rear of shoe until blade teeth almost touch cutting line.

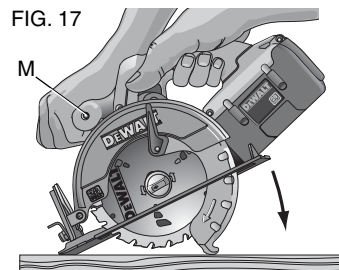


FIG. 17

4. Release the blade guard (its contact with the work will keep it in position to open freely as you start the cut). Remove hand from guard lever and firmly grip auxiliary handle, (M) as shown in Figure 17. Position your body and arm to allow you to resist kickback if it occurs.
5. Make sure blade is not in contact with cutting surface before starting saw.
6. Start the motor and gradually lower the saw until its shoe rests flat on the material to be cut. Advance saw along the cutting line until cut is completed.
7. Release trigger and allow blade to stop completely before withdrawing the blade from the material.
8. When starting each new cut, repeat as above.

MAINTENANCE

⚠ WARNING: To reduce the risk of serious personal injury, turn tool off and disconnect tool from battery pack before making any adjustments or removing/installing attachments or accessories.

Cleaning

⚠ WARNING: Never use solvents or other harsh chemicals for cleaning the non-metallic parts of the tool. These chemicals may weaken the plastic materials used in these parts. Use a cloth dampened only with water and mild soap. Never let any liquid get inside the tool; never immerse any part of the tool into a liquid.

CHARGER CLEANING INSTRUCTIONS

⚠ WARNING: Shock hazard. Disconnect the charger from the AC outlet before cleaning. Dirt and grease may be removed from the exterior of the charger using a cloth or soft non-metallic brush. Do not use water or any cleaning solutions.

Lubrication

Self lubricating ball and roller bearings are used in the tool and relubrication is not required. However, it is recommended that, once

a year, you take or send the tool to a certified service center for a thorough cleaning, inspection, and lubrication of the gear case.

Repairs

To assure product SAFETY and RELIABILITY, repairs, maintenance and adjustments (including brush inspection and replacement) should be performed by a DEWALT factory service center, a DEWALT authorized service center or other qualified service personnel. Always use identical replacement parts.

Accessories

⚠ WARNING: *Since accessories, other than those offered by DEWALT, have not been tested with this product, use of such accessories with this tool could be hazardous. To reduce the risk of injury, only DEWALT, recommended accessories should be used with this product.*

Recommended accessories for use with your tool are available at extra cost from your local dealer or authorized service center. If you need assistance in locating any accessory for your tool, please contact DEWALT Industrial Tool Co., 701 East Joppa Road, Baltimore, MD 21286, call 1-800-4-DEWALT (1-800-433-9258) or visit our website www.dewalt.com.

Three Year Limited Warranty

DEWALT will repair, without charge, any defects due to faulty materials or workmanship for three years from the date of purchase. This warranty does not cover part failure due to normal wear or tool abuse. For further detail of warranty coverage and warranty repair information, visit www.dewalt.com or call 1-800-4-DEWALT (1-800-433-9258). This warranty does not apply to accessories or damage caused where repairs have been made or attempted by others. This warranty gives you specific legal rights and you may have other rights which vary in certain states or provinces.

In addition to the warranty, DEWALT tools are covered by our:

1 YEAR FREE SERVICE

DEWALT will maintain the tool and replace worn parts caused by normal use, for free, any time during the first year after purchase.

2 YEARS FREE SERVICE ON DEWALT BATTERY PACKS

DC9096, DC9091, DC9071, DC9360 and DC9280

90 DAY MONEY BACK GUARANTEE

If you are not completely satisfied with the performance of your DEWALT Power Tool, Laser, or Nailer for any reason, you can return it within 90 days from the date of purchase with a receipt for a full refund – no questions asked.

LATIN AMERICA: This warranty does not apply to products sold in Latin America. For products sold in Latin America, see country specific warranty information contained either in the packaging, call the local company or see the website for warranty information.

FREE WARNING LABEL REPLACEMENT: If your warning labels become illegible or are missing, call 1-800-4-DEWALT for a free replacement.



Patent Notification

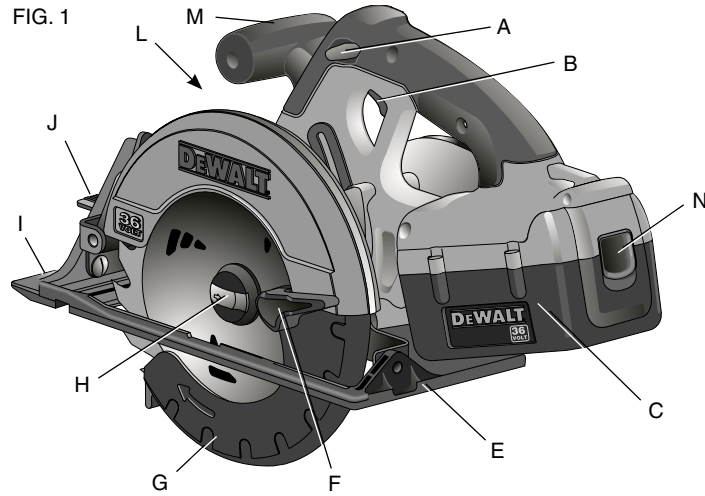
Manufactured under one or more of the following U.S. patents:

6859013	6133713
6329788	6057608
6175211	6653815

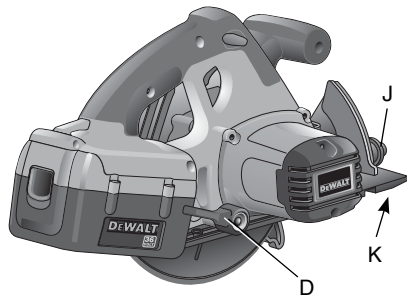
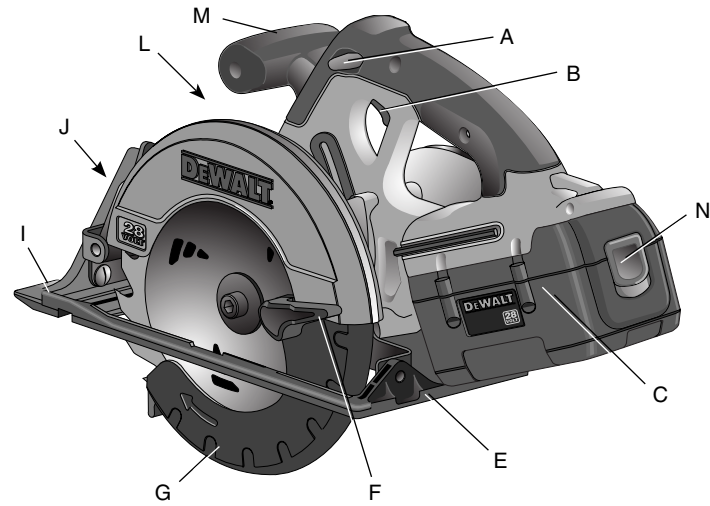
Other patents pending.

English

DC300, 36 Volt 4000 tr/min

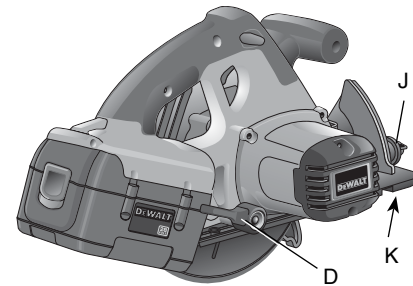


DC310, 28 Volt 3800 tr/min



- A. Bouton de verrouillage de la gâchette
- B. Gâchette
- C. Bloc-piles
- D. Levier de réglage de la profondeur
- E. Semelle
- F. Levier d'escamotage du protège-lame inférieur
- G. Protège-lame inférieur
- H. Bride de lame sans clé (DC300 seulement)

- I. Indicateur de trait de scie
- J. Levier de réglage d'angle de biseau (DC300) or bouton de réglage d'angle de biseau (DC310)
- K. Vis de réglage
- L. Bouton de verrouillage de la lame (non illustré)
- M. Poignée auxiliaire
- N. Bouton de dégagement du bloc-piles



SI VOUS AVEZ DES QUESTIONS OU VOULEZ NOUS FAIRE PART DE VOS COMMENTAIRES CONCERNANT CET OUTIL OU TOUT AUTRE OUTIL DEWALT, COMPOSEZ SANS FRAIS LE : **1 800 433-9258**.

Règles de sécurité – Généralités

⚠ AVERTISSEMENT : Lire toutes ces directives. Tout manquement aux directives suivantes pose des risques de choc électrique, d'incendie et/ou de blessure grave. Le terme « outil électrique » dans tous les avertissements ci-après se rapporte à votre outil électrique à alimentation sur secteur (avec fil) ou par piles (sans fil).

CONSERVER CES DIRECTIVES

1) SÉCURITÉ - AIRE DE TRAVAIL

- a) **Maintenir l'aire de travail propre et bien éclairée.** Les lieux encombrés ou sombres sont propices aux accidents.
- b) **Ne pas faire fonctionner un outil électrique dans une atmosphère explosive, en présence par exemple de poussières, gaz ou liquides inflammables.** Les outils électriques peuvent engendrer des étincelles qui pourraient enflammer toute émanation ou poussière ambiante.
- c) **Tenir les enfants, ou toute autre personne, éloignés pendant l'utilisation d'un outil électrique.** Toute distraction pourrait vous faire perdre la maîtrise de ce dernier.

2) SÉCURITÉ – ÉLECTRICITÉ

- a) **La fiche électrique de l'outil doit correspondre à la prise murale. Ne jamais modifier la fiche en aucune façon. Ne jamais utiliser de fiche d'adaptation avec un outil électrique mis à la terre.** L'utilisation de fiches d'origine et de prises appropriées réduira les risques de choc électrique.
- b) **Éviter tout contact corporel avec des éléments mis à la terre comme tuyaux, radiateurs, cuisinières ou réfrigéra-**

teurs. Les risques de choc électrique augmentent lorsque le corps est mis à la terre.

- c) **Ne pas exposer les outils électriques à la pluie ou à l'humidité.** Toute pénétration d'un outil électrique par un liquide augmente les risques de choc électrique.
- d) **Ne pas utiliser le cordon de façon abusive. Ne jamais utiliser le cordon pour transporter, tirer ou débrancher un outil électrique. Protéger le cordon de la chaleur, de l'huile et de tout bord tranchant ou pièce mobile.** Les cordons endommagés ou emmêlés augmentent les risques de choc électrique.

- e) **Lors de l'utilisation d'un outil électrique à l'extérieur, n'utiliser que des rallonges conçues pour l'extérieur.** L'utilisation d'une rallonge conçue pour l'extérieur réduit les risques de choc électrique. En cas d'utilisation d'une rallonge, s'assurer que les valeurs nominales de la rallonge utilisée correspondent bien à celles de l'outil alimenté. L'usage d'une rallonge de calibre insuffisant causera une chute de tension entraînant perte de puissance et surchauffe. Le tableau ci-dessous illustre les calibres à utiliser selon la longueur de rallonge et l'intensité nominale indiquée sur la plaque signalétique. En cas de doutes, utiliser le calibre suivant. Plus le calibre est petit, plus la rallonge peut supporter de courant.

Calibre de fil minimum recommandé pour les rallonges

Longueur totale de la rallonge

25 pi	50 pi	75 pi	100 pi	125 pi	150 pi	175 pi
7,6 m	15,2 m	22,9 m	30,5 m	38,1 m	45,7 m	53,3 m

Calibre AWG

18	18	16	16	14	14	12
----	----	----	----	----	----	----

3) SÉCURITÉ PERSONNELLE

- a) **Rester vigilant en tout temps et faire preuve de jugement pendant l'utilisation d'un outil électrique. Ne pas utiliser d'outil électrique en cas de fatigue ou sous l'influence**

de drogues, d'alcool ou de médicaments. Tout moment d'inattention pendant l'utilisation d'un outil électrique pose des risques de blessure grave.

- b) Utiliser le matériel de sécurité approprié. Toujours porter des lunettes de protection.** Le fait de porter un masque anti-poussières, des chaussures antidérapantes, un casque de sécurité ou des protecteurs auditifs lorsque la situation le requiert réduira les risques de blessure.
- c) Éviter tout démarrage accidentel. S'assurer que l'interrupteur est en position d'arrêt avant tout branchement.** Transporter un outil le doigt sur l'interrupteur ou brancher un outil électrique alors que l'interrupteur est en position de marche invite les accidents.
- d) Retirer toute clé de réglage avant de démarrer l'outil.** Une clé laissée sur une pièce rotative d'un outil électrique pose des risques de blessure.
- e) Ne pas effectuer de travaux hors de portée. Les pieds doivent rester bien ancrés au sol afin de maintenir son équilibre en tout temps.** Cela permet de mieux maîtriser l'outil électrique dans les situations imprévues.
- f) Porter des vêtements appropriés. Ne pas porter de vêtements amples ni de bijoux. Maintenir cheveux, vêtements et gants éloignés des pièces mobiles.** Vêtements amples, bijoux ou cheveux longs risquent de rester coincés dans ces pièces mobiles. Prendre des précautions autour des événements car ils recouvrent des pièces mobiles.
- g) Lorsque un dispositif de connexion à un système de dépoussiérage ou d'élimination est fourni, s'assurer qu'il est connecté et utilisé correctement.** L'utilisation de ces dispositifs peut réduire les risques engendrés par les poussières.

4) UTILISATION ET ENTRETIEN DES OUTILS ÉLECTRIQUES

- a) Ne pas forcer un outil électrique. Utiliser l'outil approprié au travail en cours.** L'outil approprié effectuera un meilleur travail, de façon plus sûre et à la vitesse pour laquelle il a été conçu.
- b) Ne pas utiliser un outil électrique dont l'interrupteur est défectueux.** Tout appareil dont l'interrupteur est défectueux est dangereux et doit être réparé.
- c) Débrancher la fiche du secteur et/ou le bloc-piles de l'outil électrique avant de faire tout réglage ou changement d'accessoire, ou avant de ranger ce dernier.** Ces mesures préventives réduisent les risques de démarrage accidentel de l'appareil.
- d) Après usage, ranger les outils électriques hors de la portée des enfants, et ne permettre à aucune personne n'étant pas familière avec un outil électrique (ou son manuel d'instruction) d'utiliser ce dernier.** Les outils peuvent être dangereux entre les mains des novices.
- e) Entretenir les outils électriques. Vérifier les pièces mobiles pour s'assurer qu'elles sont bien alignées et tournent librement, qu'elles sont en bon état et ne sont affectées d'aucune condition susceptible de nuire au bon fonctionnement de l'outil. En cas de dommage, faire réparer l'outil électrique avant toute nouvelle utilisation.** Bien des accidents sont causés par des outils mal entretenus.
- f) Maintenir tout outil de coupe bien aiguisé et propre.** Les outils de coupe bien entretenus et affûtés sont moins susceptibles de se coincer et sont plus faciles à contrôler.
- g) Utiliser un outil électrique, ses accessoires, mèches, etc., conformément aux présentes directives et suivant la manière prévue pour ce type particulier d'outil électrique, en tenant compte des conditions de travail et du**

travail à effectuer. L'utilisation d'un outil électrique pour toute opération autre que celle pour laquelle il a été conçu est dangereuse.

5) UTILISATION ET ENTRETIEN DE L'OUTIL ALIMENTÉ PAR PILE

- a) **S'assurer que l'interrupteur se trouve à la position d'arrêt avant d'insérer le bloc-piles.** Insérer un bloc-piles dans un outil électrique dont l'interrupteur est à la position de marche risque de provoquer un accident.
- b) **Ne recharger l'outil qu'au moyen du chargeur précisé par le fabricant.** L'utilisation d'un chargeur qui convient à un type de bloc-piles risque de provoquer un incendie s'il est utilisé avec un autre type de bloc-piles.
- c) **Utiliser les outils électriques uniquement avec les blocs-piles conçus à cet effet.** L'utilisation de tout autre bloc-piles risque de causer des blessures ou un incendie.
- d) **Lorsque le bloc-piles n'est pas utilisé, le tenir éloigné des objets métalliques, notamment des trombones, de la monnaie, des clés, des clous, des vis, etc., qui peuvent établir une connexion entre les deux bornes.** Mettre en court-circuit les bornes du bloc-piles peut provoquer des brûlures ou un incendie.
- e) **En cas d'utilisation abusive, un liquide peut gicler hors du bloc-piles, éviter tout contact. Si un contact accidentel se produit, laver à grande eau. Si le liquide entre en contact avec les yeux, obtenir des soins médicaux.** Le liquide qui gicle hors du bloc-piles peut provoquer des irritations ou des brûlures.

6) SERVICE

- a) **Faire entretenir les outils électriques par un réparateur qualifié en n'utilisant que des pièces de rechange identiques.** Cela permettra d'assurer l'intégrité de l'outil électrique et la sécurité de l'utilisateur.

Règles de sécurité supplémentaires pour scies circulaires

⚠ DANGER : Garder les mains éloignées des zones de coupe et de la lame. Toujours tenir l'outil en plaçant une main sur la poignée auxiliaire ou le carter du moteur. On protège ses mains en les utilisant toutes les deux pour tenir l'outil.

- **Toujours se placer d'un côté ou de l'autre de la lame en évitant de se tenir dans son trajet, car la scie pourrait reculer brusquement par suite d'un REBOND.** (Voir la section « REBOND » du présent guide.)
- **Ne pas mettre les mains sous la pièce** car il n'y a aucune protection contre la lame à cet endroit.
- **Vérifier le protège-lame inférieur afin de s'assurer qu'il est bien fermé avant d'utiliser l'outil; ne pas faire fonctionner ce dernier si le protège-lame ne se déplace pas librement ou s'il ne se ferme pas instantanément. Ne jamais le bloquer ou le fixer en position ouverte.** Si on échappe la scie, soulever le protège-lame inférieur au moyen du levier d'escamotage et le vérifier afin de s'assurer qu'il n'y a aucun dommage, qu'il se déplace librement et qu'il n'entre pas en contact avec la lame ou toute autre pièce de l'outil, quel que soit l'angle et la profondeur de coupe.
- **S'assurer que le ressort du protège-lame inférieur est en bon état de fonctionnement; sinon, on doit lui faire subir un entretien avant d'utiliser l'outil.** Le protège-lame peut être difficile à déplacer en présence de pièces endommagées, de dépôts gommeux ou de débris accumulés.
- **On ne doit escamoter manuellement le protège-lame inférieur que pour réaliser une coupe spéciale, complexe ou interne. Pour ce faire, on doit le soulever au moyen du levier d'escamotage, relâchant ce dernier dès que la lame mord dans la pièce.** Le protège-lame s'escamote automatiquement pour tous les autres types de coupe.

- **Toujours s'assurer que le protège-lame inférieur recouvre la lame avant de déposer la scie sur le plancher ou sur un établi, car, sans protection, une lame qui tourne encore fait reculer la scie, coupant tout ce qui se trouve sur son passage. Il est en outre bon de savoir combien de temps la lame prend pour s'arrêter une fois l'interrupteur relâché.**
- **Ne JAMAIS tenir la pièce dans ses mains ou la placer de travers sur ses jambes pour la couper.** Il est important de soutenir la pièce correctement afin d'éviter d'exposer des parties du corps à la lame, de coincer cette dernière ou encore, de perdre la maîtrise de l'outil.
- **Tenir l'outil par les surfaces isolées prévues à cette fin lorsqu'il risque d'entrer en contact avec des fils cachés, car de tels contacts peuvent mettre les pièces métalliques de l'outil sous tension, engendrant des risques de choc électrique.**
- **Toujours utiliser un guide de refend ou de bord droit lorsqu'on effectue une coupe en long afin d'assurer la précision de cette dernière et d'éviter de coincer la lame.**
- **Toujours utiliser une lame munie d'un arbre dont les orifices sont de dimension et de forme appropriées (en losanges vs ronds);** les lames qui ne correspondent pas aux éléments de fixation de la scie tourneront de manière excentrique, faisant perdre la maîtrise de l'outil.
- **Ne jamais utiliser de rondelles ou de boulons endommagés ou autres que ceux qui ont été conçus pour la scie, afin d'obtenir un rendement optimal et de travailler en toute sécurité.**
- **Éviter de passer la lame sur des clous; vérifier le bois de sciage afin de s'assurer qu'il n'y en a aucun; les retirer, le cas échéant, avant d'effectuer la coupe.**

CAUSES DU REBOND ET MESURES PRÉVENTIVES

- *Le rebond est une réaction soudaine de l'outil causée par une lame pincée, bloquée ou mal alignée, occasionnant la perte de*

maîtrise de la scie, qui se soulève et se détache de la pièce en direction de l'opérateur.

- *Lorsque la lame reste coincée ou qu'elle est immobilisée par une entaille qui se referme, l'arrêt de la lame et la réaction du moteur entraîne un recul brusque de l'outil vers l'opérateur.*
- *Si la lame se tord ou est mal alignée, les dents arrière peuvent s'engager sur le dessus de la pièce, faisant grimper la lame hors de l'entaille et rebondir l'outil en direction de l'opérateur.*
- *Le rebond découle d'une mauvaise utilisation ou du mauvais fonctionnement de l'outil; on peut l'éviter en prenant les précautions suivantes.*
- **Tenir fermement l'outil des deux mains et placer le corps et les bras de manière à pouvoir maîtriser les effets du rebond;** le rebond peut être maîtrisé si l'opérateur prend les précautions nécessaires.
- **Lorsque la lame se coince ou qu'on veut interrompre une coupe pour quelque raison que ce soit, relâcher l'interrupteur à gâchette et maintenir la scie immobile dans la pièce, jusqu'à ce que la lame s'arrête complètement. Ne jamais tenter de sortir la scie hors de l'entaille ou de la tirer vers soi avant que la lame ne se soit immobilisée complètement afin d'éviter le rebond.** Vérifier la pièce afin de déterminer la cause du coincement et de prendre les mesures correctives qui s'imposent.
- **Lorsqu'on remet la scie en marche, centrer la lame dans l'entaille et s'assurer que les dents ne sont pas engagées dans le matériau.** Si la lame se coince, la scie peut grimper hors de l'entaille ou faire un rebond lorsqu'on la redémarre.
- **Soutenir les grands panneaux afin d'éviter autant que possible de coincer la lame et d'engendrer un rebond.** Les grands panneaux tendent à s'affaisser sous leur poids et doivent être soutenus de chaque côté, près de la ligne de coupe et du bord du panneau.

- **Ne pas utiliser de lames usées ou endommagées**, car celles-ci produisent des entailles plus étroites, ce qui peut causer une friction excessive, coincer la lame et engendrer un rebond.
- **Bien verrouiller les leviers de réglage de profondeur et d'angle de biseau avant d'amorcer une coupe**; si ces leviers se déplacent durant la coupe, la lame peut se coincer et entraîner un REBOND.
- **On doit faire particulièrement attention lorsqu'on effectue une coupe interne dans un mur ou un endroit difficile à voir**, car la lame peut couper des objets cachés qui risquent d'occasionner un rebond.

⚠ **AVERTISSEMENT : TOUJOURS** porter des lunettes de sécurité. Les lunettes de vue ne constituent PAS des lunettes de sécurité. Utiliser également un masque facial ou anti-poussière si l'opération de découpe génère de la poussière. **TOUJOURS PORTER UN ÉQUIPEMENT DE PROTECTION HOMOLOGUÉ :**

- protection oculaire conforme à la norme ANSI Z87.1 (CAN/CSA Z94.3),
- protection auditive conforme à la norme ANSI S12.6 (S3.19) et
- protection des voies respiratoires conformes aux normes NIOSH/OSHA/MSHA.

⚠ **AVERTISSEMENT :** Certaines poussières créées par le ponçage, le sciage, le meulage et le forage mécaniques ainsi que d'autres activités de construction contiennent des produits chimiques reconnus pour causer le cancer, des anomalies congénitales ou d'autres anomalies liées à la reproduction. Parmi ces produits chimiques, citons notamment :

- le plomb provenant des peintures au plomb ;
- la silice cristalline provenant des briques, du béton et d'autres matériaux de maçonnerie ;

- l'arsenic et le chrome provenant du bois traité (arséniate de cuivre et de chrome).

Le risque associé à ces expositions varie selon la fréquence de ces types de travaux. Pour réduire l'exposition aux produits chimiques : travailler dans un local bien ventilé et utiliser du matériel de sécurité approuvé, comme les masques antipoussières spécialement conçus pour filtrer les particules microscopiques.

- **Éviter le contact prolongé avec la poussière provenant du ponçage, du sciage, du meulage et du forage mécanique ainsi que d'autres activités de construction. Porter des vêtements de protection et laver les parties exposées au savon et à l'eau.** La poussière qui pourrait pénétrer dans la bouche et les yeux ou se déposer sur la peau peut favoriser l'absorption de produits chimiques nocifs.

⚠ **AVERTISSEMENT :** Cet outil peut produire et répandre de la poussière susceptible de causer des dommages sérieux et permanents au système respiratoire. Toujours utiliser un appareil respiratoire anti-poussières approuvé par le NIOSH ou l'OSHA. Diriger les particules dans le sens opposé du visage et du corps.

⚠ **AVERTISSEMENT :** **Toujours porter des lunettes de sécurité.** L'utilisateur et toute autre personne se trouvant à proximité de la zone de coupe doit porter des lunettes de sécurité conformes à la norme ANSI Z87.1.

⚠ **AVERTISSEMENT :** **TOUJOURS** porter une protection auditive appropriée conformément à la norme ANSI S12.6 (S3.19) lors de l'utilisation du produit. Dans certaines conditions et selon la durée d'utilisation, le bruit émis par ce produit peut contribuer à une perte auditive.

⚠ **MISE EN GARDE :** Lorsque l'outil n'est pas utilisé, placez la scie circulaire sur une surface stable, semelle de chaussure vers le bas, de manière à ne faire trébucher ou tomber personne. Certains outils présentant un gros bloc-piles reposeront sur ce dernier, à la verticale, mais risque d'être facilement renversés.

- L'étiquette apposée sur votre outil peut comprendre les symboles suivants. Les symboles et leurs définitions sont indiqués ci-après :

V..... volts	A..... ampères
Hz..... hertz	W..... watts
min minutes	~ courant alternatif
== ... courant continu	n ₀ vitesse à vide
ⓘ Construction de classe I (mis à la terre)	⊕ borne de terre
□ Construction de classe II (à double isolation)	⚠ symbole d'alerte à la sécurité
BPM.... coups par minute	.../min.... rotations ou alternance par minute

Directives de sécurité importantes pour les chargeurs de piles

CONSERVER CES DIRECTIVES : Ce manuel contient des directives de sécurité importantes sur les chargeurs de piles.

- Avant d'utiliser le chargeur, lire toutes les directives et les indications d'avertissement figurant sur le chargeur, le bloc-piles et le produit utilisé avec le bloc-piles.

⚠AVERTISSEMENT : Risque de choc. Éviter la pénétration de tout liquide dans le chargeur.

⚠MISE EN GARDE : Risque de brûlure. Pour réduire le risque de blessures, charger seulement les piles DEWALT. D'autres types de piles peuvent exploser et causer des blessures corporelles et des dommages.

⚠MISE EN GARDE : Sous certaines conditions, lorsque le chargeur est branché au bloc d'alimentation, le chargeur peut être court-circuité par des corps étrangers. Tout corps étranger conducteur, tel que, mais sans s'y limiter, la laine d'acier, le papier d'aluminium, ou toute accumulation de particules métalliques, doit être maintenu à distance des ouvertures du chargeur. Débrancher

systématiquement le chargeur si aucun bloc-piles n'y est inséré. Débrancher le chargeur avant tout nettoyage.

- **NE PAS charger le bloc-piles au moyen de tout autre chargeur que ceux mentionnés dans le présent manuel.** Le chargeur et le bloc-piles sont spécialement conçus pour être utilisés ensemble.
- **Ces chargeurs ne sont pas prévus pour être utilisés à d'autres fins que celles de charger les piles rechargeables DEWALT.** Toute autre utilisation risque de provoquer un incendie, un choc électrique ou une électrocution
- **Ne pas exposer le chargeur à la pluie ou à la neige.**
- **Tirer sur la fiche plutôt que sur le cordon pour débrancher le chargeur.** Cela permet de réduire le risque d'endommager la fiche ou le cordon d'alimentation.
- **S'assurer que le cordon est situé en lieu sûr de manière à ce que personne ne marche ni ne trébuche dessus ou à ce qu'il ne soit pas endommagé ni soumis à une tension.**
- **Ne pas utiliser de rallonge à moins que cela ne soit absolument nécessaire.** L'utilisation d'une rallonge inadéquate risque d'entraîner un incendie, un choc électrique ou une électrocution.
- **La rallonge utilisée doit présenter un calibre adéquat (AWG ou calibre américain normalisé des fils) pour assurer la sécurité.** Plus le numéro de calibre de fil est petit et plus sa capacité est grande, par exemple un calibre 16 a plus de capacité qu'un calibre 18. Si plus d'une rallonge est utilisée pour obtenir la longueur totale, s'assurer que chaque rallonge présente au moins le calibre de fil minimum.
- **Ne pas mettre d'objet sur le chargeur ni mettre ce dernier sur une surface molle pouvant obstruer les fentes de ventilation et ainsi provoquer une chaleur interne excessive.** Mettre le chargeur à un endroit éloigné de toute source de chaleur. La ventilation du chargeur se fait par les fentes pratiquées dans les parties supérieures et inférieures du boîtier.

- **Ne pas monter le chargeur sur un mur ni le fixer de manière permanente sur une surface quelconque.** Le chargeur est destiné à une utilisation sur une surface plane et stable (c.-à-d. un dessus de table).
- **Ne pas faire fonctionner le chargeur si la fiche ou le cordon est endommagé;** les remplacer immédiatement.
- **Ne pas faire fonctionner le chargeur s'il a reçu un choc violent, s'il est tombé ou s'il a été endommagé de quelque manière que ce soit.** Apporter le chargeur à un centre de réparation autorisé.
- **Ne pas démonter le chargeur; l'apporter à un centre de réparation autorisé lorsqu'un entretien ou une réparation est requise.** Un chargeur mal réassemblé peut causer un choc électrique, une électrocution ou un incendie.
- **Débrancher le chargeur avant de le nettoyer. Cela permettra de réduire le risque de choc électrique.** Retirer le bloc-piles ne réduira pas le risque.
- Ne **JAMAIS** relier 2 chargeurs ensemble.
- **Le chargeur est conçu pour être alimenté en courant domestique standard (120 V). Ne pas utiliser une tension supérieure pour le chargeur.**

CONSERVER CES DIRECTIVES

Introduction

Le chargeur DC9000 est conçu pour charger le bloc-piles DEWALT en environ une heure. Ce chargeur n'exige aucun ajustement et est conçu pour être aussi facile que possible. Placer tout simplement votre bloc-piles dans la prise d'un chargeur branché et il se chargera automatiquement le bloc-piles.

Directives de sécurité importantes pour les blocs-piles

⚠ **AVERTISSEMENT :** Pour un fonctionnement sans danger, lire ce manuel et les manuels initialement fournis avec l'outil avant d'utiliser le chargeur.

Pour la commande d'un bloc-piles de rechange, s'assurer d'inclure le numéro de catalogue et la tension. Consulter le tableau figurant à la dernière page du présent manuel pour connaître la compatibilité des chargeurs et des blocs-piles.

Le bloc-piles n'est pas complètement chargé à la sortie de la boîte pliante. Avant d'utiliser le bloc-piles et le chargeur, lire les directives de sécurité ci-après. Suivre les consignes de chargement décrites.

LIRE TOUTES LES DIRECTIVES

- **Ne pas incinérer le bloc-piles même s'il est très endommagé ou complètement usé.** Le bloc-piles peut exploser dans un feu. Des vapeurs et des matières toxiques émanent lorsque les blocs-piles au lithium-ion sont brûlés.
 - **Ne pas charger ou utiliser une pile dans un milieu déflamant, soit en présence de liquides inflammables, de gaz ou de poussière.** Insérer ou retirer une pile du chargeur peut enflammer la poussière ou des émanations.
 - **Si le contenu de la pile entre en contact avec la peau, laver immédiatement la zone touchée au savon doux et à l'eau.** Si le liquide de la pile entre en contact avec les yeux, rincer l'œil ouvert à l'eau pendant 15 minutes ou jusqu'à ce que l'irritation cesse. Si des soins médicaux sont nécessaires, l'électrolyte de la pile est composé d'un mélange de carbonates organiques liquides et de sels de lithium.
 - **Le contenu des cellules de pile ouvertes peut provoquer une irritation respiratoire.** Exposer la personne à de l'air frais. Si les symptômes persistent, obtenir des soins médicaux.
- ⚠ **AVERTISSEMENT :** Risque de brûlure. Le liquide de la pile peut s'enflammer s'il est exposé à des étincelles ou à une flamme.
- Charger les blocs-piles uniquement au moyen de chargeurs DEWALT.
 - **NE PAS** éclabousser le bloc-piles ou l'immerger dans l'eau ou tout autre liquide.
 - **Ne pas ranger ni utiliser l'outil et le bloc-piles à un endroit où la température peut atteindre ou dépasser les**

40,5 °C (105 °F) (comme dans les remises extérieures ou les bâtiments métalliques l'été).

⚠ AVERTISSEMENT : Ne jamais ouvrir le bloc-piles pour quelque raison que ce soit. Si le boîtier du bloc-piles est fissuré ou endommagé, ne pas l'insérer dans un chargeur. Ne pas broyer, échapper ou endommager le bloc-piles. Ne pas utiliser un bloc-piles ou un chargeur qui a reçu un choc violent, qui est tombé, écrasé ou qui a été endommagé de quelque manière que ce soit (p. ex. percé par un clou, frappé d'un coup de marteau, marché dessus). Les blocs-piles endommagés doivent être envoyés au centre de réparation pour être recyclés.

⚠ AVERTISSEMENT : Risque d'incendie Ne pas ranger ni transporter les piles de manière à ce que des objets métalliques puissent entrer en contact avec les bornes exposées des piles. Par exemple, ne pas mettre les piles dans un tablier, une poche, une boîte à outils, une boîte de nécessaire de produit, un tiroir, etc. avec des clous, des vis, des clés etc. **Le transport des piles peut causer un incendie si les bornes des piles entrent en contact involontairement avec des matières conductrices comme des clés, de la monnaie, des outils manuels et d'autres éléments semblables.** La Hazardous Material Regulation (HMR) du département américain des transports interdit en fait le transport des piles pour le commerce et dans les avions (ex. : piles emballées dans des valises et des bagages à main) À MOINS qu'elles soient bien protégées contre les courts-circuits. Pour le transport des piles individuelles, s'assurer que les bornes sont protégées et bien isolées contre toute matière pouvant entrer en contact avec elles et causer un court-circuit.

Le sceau SRPRC™

Le sceau SRPRC™ (Société de Recyclage des Piles Rechargeables au Canada) sur la pile au lithium-ion (ou sur le bloc-piles) indique que le coût de recyclage de cette pile (ou bloc-piles) à la fin de sa vie utile a été payé par DEWALT.



SRPRC™ en collaboration avec DEWALT et d'autres utilisateurs de piles ont établi aux États-Unis et au Canada des programmes facilitant la cueillette des piles au lithium-ion déchargées. Aidez-nous à protéger l'environnement et à conserver nos ressources naturelles en retournant les piles au lithium-ion épuisées à un centre de réparation DEWALT ou au détaillant de votre région pour qu'elles soient recyclées. Il est aussi possible de communiquer avec le centre de recyclage de votre région pour obtenir des informations sur les lieux de dépôt des piles épuisées.

SRPRC™ est une marque déposée de la Société de recyclage des piles rechargeables au Canada.

Recommandations de rangement





1. Le meilleur endroit de rangement est celui qui est frais et sec, loin de toute lumière directe et de température excessive (chaleur ou froid).
2. Un long entreposage n'endommagera pas le bloc-piles ou le chargeur. Sous de bonnes conditions, ils peuvent être rangés jusqu'à 5 ans ou plus.

Chargeur

Votre bloc-piles exige un chargeur d'une heure DEWALT. S'assurer de bien lire les directives de sécurité avant d'utiliser le chargeur. Consulter le tableau figurant à l'arrière de ce manuel pour connaître la compatibilité des chargeurs et des blocs-piles.

Procédure de charge

1. Brancher le chargeur dans une prise appropriée avant d'insérer le bloc-piles.
2. Insérer le bloc-piles dans le chargeur. Le chargeur est doté d'une jauge de carburant à trois lumières qui clignotera selon l'état de charge du bloc-piles.
3. La fin de la charge sera indiquée par les trois voyants rouges qui demeureront continuellement allumés. Le bloc-piles est chargé à plein et peut être utilisé ou laissé dans le chargeur à ce moment.

	0 % - 33 %	1 ^{er} voyant clignote
	33 % - 66 %	1 ^{er} voyant allumé, 2 ^e voyant clignote
	66 % - 99 %	1 ^{er} , 2 ^e voyants allumés, 3 ^e voyant clignote
	100 %	1 ^{er} , 2 ^e , 3 ^e , voyants allumés

Diagnostic de chargeur

Ce chargeur est conçu pour détecter certains problèmes pouvant survenir avec les blocs-piles ou le chargeur. Les problèmes sont indiqués par trois voyants clignotant ensemble dans des motifs différents.

PROBLÈME AVEC LE SECTEUR

Lorsque le chargeur est utilisé avec certaines sources d'alimentation portatifs comme des génératrices ou des sources qui font la conversion de c.c. à c.a., le chargeur peut suspendre temporairement son fonctionnement. Les trois voyants rouges clignoteront ensemble avec **deux clignotements rapides suivis par une pause**. Cela indique que la source d'alimentation est hors tolérance.

PILE EN MAUVAIS ÉTAT

Le chargeur peut aussi détecter les piles faibles ou endommagées. Les trois voyants rouges clignoteront ensemble avec **un clignotement rapide**. La pile ne se chargera plus et doit être retournée à un centre de réparation ou à un site de collecte pour le recyclage.

CHARGEUR EN MAUVAIS ÉTAT

Le chargeur détectera s'il ne fonctionne pas correctement. Les trois voyants rouges clignoteront ensemble avec **un clignotement rapide suivi d'un long clignotement**. Le chargeur ne fonctionnera plus et doit être retourné à un centre de réparation autorisé ou remplacé.

PILE LAISSÉ DANS LE CHARGEUR

Le chargeur et le bloc-piles peuvent être laissés branchés avec les voyants rouges allumés indéfiniment. Le chargeur maintiendra le

bloc-piles chargé à plein et en bon état. Ce chargeur comprend un mode de mise au point automatique qui égalise ou équilibre chaque cellule du bloc-piles pour lui permettre de fonctionner à son rendement optimum. Les blocs-piles doivent être réglés chaque semaine ou lorsque la pile ne fonctionne plus de manière optimale. Pour utiliser le mode de mise au point automatique, mettre le bloc-piles dans le chargeur et y laisser pendant au moins 8 heures.

Remarques de chargement importantes

1. Pour augmenter la durée de vie du bloc-piles et optimiser son rendement, le charger à une température entre 18 ° C et 24 ° C (65 ° F – 75 ° F). NE PAS charger le bloc-piles à des températures inférieures à 4,5 °C (40° F) ou supérieures à 40,5 °C (105° F). Ces consignes sont importantes et permettent d'éviter d'endommager le bloc-piles.
2. Le chargeur et le bloc-piles peuvent devenir chaud au toucher pendant la charge. Il s'agit d'un état normal et n'indique pas un problème. Pour faciliter le refroidissement du bloc-piles après son utilisation, éviter de mettre le chargeur ou le bloc-piles dans un endroit chaud comme dans une remise métallique ou une remorque non isolée.
3. Si le bloc-piles ne se charge pas adéquatement :
 - a. Vérifier le courant à la prise en branchant une lampe ou un autre appareil électrique.
 - b. Vérifier si la prise est reliée à un interrupteur de lumière qui la met hors tension lorsque vous éteignez les lumières.
 - c. Déplacer le chargeur et le bloc-piles à un endroit où la température ambiante est entre 18 °C et 24 °C (65 °F – 75 °F).
 - d. Si le problème persiste, apporter ou envoyer l'outil, le bloc-piles et le chargeur au centre de réparation de votre région.
4. Le bloc-piles doit être rechargé lorsqu'il n'arrive pas à produire suffisamment de puissance pour des travaux qui étaient facilement réalisés précédemment. NE PAS CONTINUER à utiliser le bloc-piles dans ces conditions. Suivre les procédures

de charge. Vous pouvez également recharger un bloc-piles partiellement utilisé chaque fois que vous le souhaitez sans effet nuisible sur le bloc-piles.

5. Tout corps étranger conducteur, tel que, mais sans s'y limiter, la laine d'acier, le papier d'aluminium, ou toute accumulation de particules métalliques, doit être maintenu à distance des ouvertures du chargeur. Débrancher systématiquement le chargeur si aucun bloc-piles n'y est inséré. Débrancher le chargeur avant tout nettoyage.
6. Ne pas geler ni immerger le chargeur dans l'eau ou dans tout autre liquide.

⚠ AVERTISSEMENT : *Risque de choc. Éviter la pénétration de tout liquide dans le chargeur.*

⚠ MISE EN GARDE : *Ne jamais essayer d'ouvrir le bloc-piles pour quelque raison que ce soit. Si le boîtier de plastique du bloc-piles est brisé ou fissuré, le retourner à un centre de réparation pour être recyclé.*

Installation et retrait du bloc-piles (fig. 2, 3)

REMARQUE : s'assurer que le bloc-piles est entièrement chargé.

⚠ AVERTISSEMENT : *s'assurer que le bouton de verrouillage (A) de la gâchette est bien engagé pour empêcher l'utilisation de la gâchette lors de l'installation et du retrait du bloc-piles.*

Pour l'installer dans la poignée de l'outil, aligner la base de l'outil avec les rainures situées à l'intérieur de la poignée et glisser le bloc-piles fermement dans la poignée jusqu'à ce qu'on entende un déclic indiquant qu'il est bien enclenché.

Pour retirer le bloc-piles hors de l'outil, appuyer sur le bouton de dégagement (N) et tirer fermement le bloc-piles hors de la poignée. L'insérer dans le chargeur selon les directives figurant sous la rubrique du chargeur du présent mode d'emploi.

FIG. 2

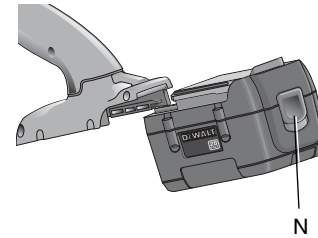
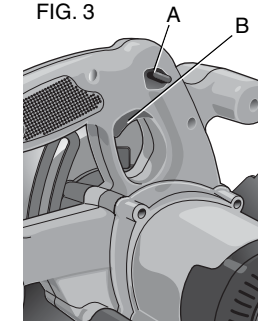


FIG. 3



FONCTIONNEMENT

⚠ AVERTISSEMENT : *pour réduire le risque de blessures corporelles graves, éteindre l'outil et le débrancher avant d'effectuer tout réglage ou d'enlever ou d'installer des accessoires.*

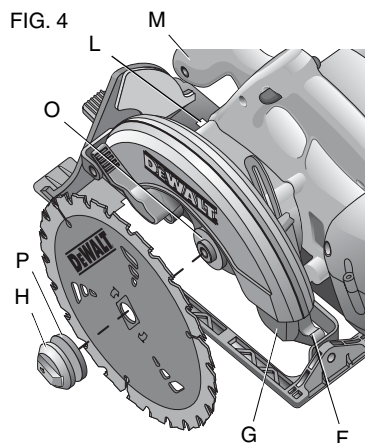
Gâchette

Déverrouiller le bouton de verrouillage (A) de la gâchette en appuyant sur le bouton comme indiqué à la (fig. 3), puis enfoncer la gâchette (B) pour mettre le moteur en marche. La relâcher et le moteur s'arrête. **Le bouton de verrouillage de la gâchette s'engage automatiquement dès que la gâchette est relâchée.**

REMARQUE : l'outil n'est doté d'aucun dispositif permettant de verrouiller la gâchette à la position de MARCHE ; il ne doit donc jamais être verrouillé en fonctionnement par quelque moyen que ce soit.

Changement de lames

⚠ AVERTISSEMENT : *pour réduire le risque de blessures corporelles graves, éteindre l'outil et le débrancher avant d'effectuer tout réglage ou d'enlever ou d'installer des accessoires.*

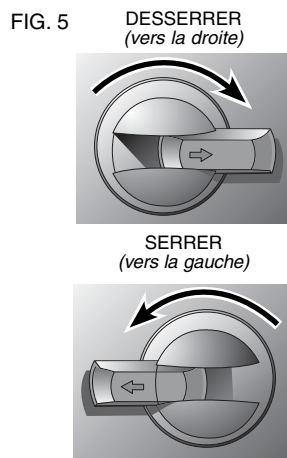


DC300 SEULEMENT (FIG. 4, 5)

L'outil DC300 est muni d'une bride de fixation de lame sans clé (H) qui est conçue pour un serrage à la main. L'utilisation d'outils risque d'endommager la bride de fixation de la lame.

Installation de la lame:

1. Enfiler la rondelle de la bride de fixation interne (O) sur la broche de la scie en orientant la grande surface plane vers l'extérieur, en direction de la lame (fig. 4).
2. Escamoter le protège-lame inférieur (G) et insérer la lame sur la broche, contre la rondelle de la bride de fixation interne. S'assurer de la lame tournera dans la bonne direction soit celle indiquée par la flèche de rotation sur la scie. Les dents doivent pointer dans la même direction que la flèche de rotation apposée sur le protège-lame inférieur. Ne pas assumer que la face imprimée de la lame vous fera toujours face lorsque



correctement installée. Lorsqu'on escamote le protège-lame inférieur en vue d'installer la lame, vérifier le bon état et le bon fonctionnement du protège-lame inférieur. S'assurer qu'il se déplace librement, sans toucher la lame, ou toute autre pièce quelconque, quel que soit l'angle ou la profondeur de coupe.

3. Enfiler la rondelle de la bride de fixation externe (P) sur la broche de la scie avec la grande surface plane vers contre de la lame et le côté biseauté vers l'extérieur.
4. Visser à la main la bride de fixation de la lame sans clé (H) sur la broche de la scie (la bride comporte un filetage inverse et doit se visser en sens antihoraire pour se serrer, tel qu'illustré à la figure 5).
5. Enfoncer le bouton de verrouillage de la lame (L) tout en tournant à la main la broche de la scie jusqu'à ce que la lame se bloque en position et qu'elle s'immobilise.
6. Relever le levier logé sur la bride de la lame sans clé (H) et serrer à la main solidement (fig. 5).

MISE EN GARDE : ne jamais enclencher le verrou de la lame alors que la scie fonctionne ou de l'utiliser pour immobiliser l'outil. Ne jamais mettre la scie en marche avec le dispositif de verrouillage engagé; ces actions pourront se solder par de graves dommages à la scie.

Remplacement de la lame (Fig. 4) :

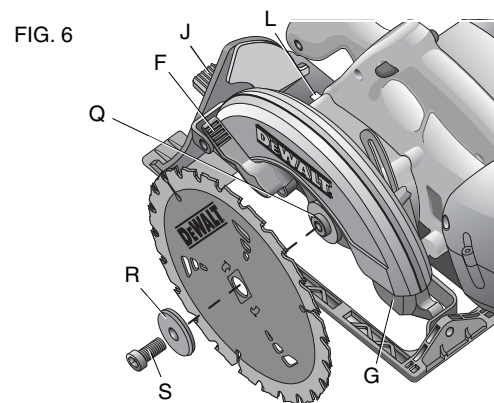
1. Enfoncer le bouton de verrouillage de la lame (L) et tourner la broche de la scie jusqu'à ce que la lame se bloque en position et qu'elle s'immobilise. Une fois le dispositif de verrouillage de la lame engagé, relever le levier sur la bride sans clé de la lame et tourner en sens horaire (la bride comporte un filetage inversé qui doit se visser en serrant en sens horaire pour se desserrer, tel qu'illustré à la figure 5).
2. Retirer uniquement la bride sans clé de la lame (H) et la rondelle de la bride de fixation externe (P), puis retirer la vieille lame.

3. Nettoyer toute trace de sciure qui aurait pu s'accumuler dans le protège-lame ou dans la zone de la rondelle de la bride. Vérifier le bon état et le bon fonctionnement du protège-lame inférieur comme décrit précédemment. Ne pas lubrifier cette zone.
4. Choisir la lame qui convient à la tâche (consulter la rubrique **Lames**). Toujours utiliser des lames de dimension (diamètre) appropriée munies d'un orifice de dimension et forme appropriées pour l'installation sur la broche de la scie. Toujours s'assurer que la vitesse maximale recommandée (tr/min) indiquée sur la lame est égale ou supérieure à la vitesse (tr/min) de la scie.
5. Suivre les étapes 2 à 6 sous la rubrique « **Installation de la lame** » et s'assurer que la lame tournera dans la bonne direction.

DC310 SEULEMENT (FIG. 6, 7)

Installation de la lame :

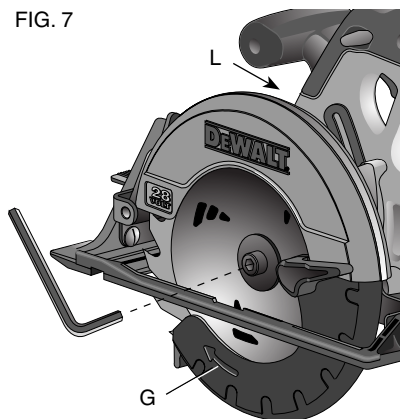
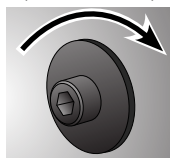
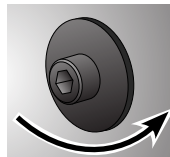
1. Placer la rondelle de bride de serrage interne (Q) sur la broche de scie (la large surface plane doit être orientée vers l'extérieur, face à la lame (Fig. 6).
2. Escamoter le protège-lame inférieur (G) et placer la lame sur la broche, contre la rondelle de bride de serrage interne, en s'assurant que la lame tourne dans le bon sens (le sens de la flèche de rotation située sur la lame et les dents doivent pointer dans la même direction que celle de la flèche indiquée sur la scie). Ne pas assumer que le côté imprimé de la lame est toujours face à l'utilisateur lorsqu'elle est installée correctement. Lorsqu'on escamote le protège-lame inférieur en vue d'installer la lame, le vérifier afin de s'assurer qu'il est en bon état et qu'il fonctionne correctement, c'est-à-dire, qu'il se déplace librement et qu'il ne touche pas à la lame ni à toute autre pièce quelconque, quel que soit l'angle ou la profondeur de coupe.



3. Placer la rondelle de bride de serrage externe (R) sur la broche de scie, en s'assurant de placer la large surface plane contre la lame, et le côté biseauté vers l'extérieur.
4. Fileter la vis de fixation de la lame (S) dans la broche et la serrer fermement avec les doigts (cette vis à filetage inverse doit être serrée vers la gauche, tel qu'illustré à la figure 8).
5. Appuyer sur le bouton de verrouillage de la lame (L) et tourner la broche au moyen de la clé de réglage de la lame jusqu'à ce que le bouton de verrouillage s'engage et que la lame s'immobilise (fig. 7).
6. Serrer fermement la vis de fixation au moyen de la clé de réglage.

MISE EN GARDE : ne jamais enclencher le verrou de la lame alors que la scie fonctionne ou de l'utiliser pour immobiliser l'outil. Ne jamais mettre la scie en marche avec le dispositif de verrouillage engagé; ces actions pourront se solder par de graves dommages à la scie.

FIG. 7

FIG. 8 DESSERRER
(vers la droite)SERRER
(vers la gauche)

Remplacement de la lame (fig. 7) :

1. Pour desserrer la vis de fixation de la lame (S), appuyer sur son bouton de verrouillage (L) et tourner la broche au moyen de la clé de réglage jusqu'à ce que le bouton de verrouillage s'engage et que la lame s'immobilise. Une fois le bouton engagé, tourner la vis de fixation de la lame vers la droite au moyen de la clé (cette vis à filetage inverse doit être desserrée vers la droite).
2. Retirer la vis de fixation (S) et la rondelle de bride de serrage externe (R) seulement, puis enlever l'ancienne lame.
3. Enlever la sciure qui aurait pu s'accumuler dans le protège-lame ou autour de la rondelle et vérifier le protège-lame inférieur afin de s'assurer qu'il est en bon état et qu'il fonctionne correctement, tel que décrit précédemment. Ne pas lubrifier cette zone.
4. Choisir la lame qui convient à la tâche (voir la section **Lames** du présent guide). Toujours utiliser une lame de dimension

(diamètre) appropriés munie d'un orifice de dimension et de forme appropriées en vue de leur installation sur la broche. Toujours s'assurer que la vitesse maximale recommandée (tr/min) indiquée sur la lame est égale ou supérieure à la vitesse (tr/min) de la scie.

5. Suivre les étapes de 2 à 6 décrites à la section **Installation de la lame** du présent guide, en s'assurant que la lame tourne dans le bon sens.

PROTÈGE-LAME INFÉRIEUR (DC300 ET DC310)

⚠ AVERTISSEMENT : Le protège-lame inférieur est un dispositif de sécurité qui réduit les risques de blessure grave. Ne jamais utiliser la scie lorsque le protège-lame inférieur est manquant, endommagé, mal assemblé ou en mauvais état de fonctionnement. Ne pas se fier sur le protège-lame inférieur pour se protéger sous toutes les circonstances. Pour assurer sa propre sécurité, on doit suivre toutes les mesures de précaution et consignes de sécurité décrites ci-dessous et utiliser l'outil correctement. Vérifier le protège-lame inférieur avant chaque utilisation afin de s'assurer qu'il se ferme correctement, tel que décrit à la section « Règles de sécurité additionnelles concernant les scies circulaires » du présent guide. Lorsque le protège-lame inférieur est manquant ou qu'il ne fonctionne pas bien, apporter la scie à un centre de service autorisé avant de l'utiliser. Pour assurer la sécurité et la fiabilité de ce produit, toutes les opérations de réparation, d'entretien et de réglage doivent être effectuées dans un centre de service autorisé ou par du personnel qualifié; on ne doit utiliser que des pièces de rechange identiques.

Lames

⚠ AVERTISSEMENT : Afin de réduire les risques de blessure aux yeux, toujours porter des lunettes de protection. Le carbure est un matériel dur, mais fragile, et les matières étrangères présentes dans la pièce, comme les fils ou les clous, peuvent fendre ou briser les pointes. Ne jamais faire fonctionner l'outil lorsque le protège-

lame n'est pas en place. S'assurer que la lame est installée et bien fixée et qu'elle tourne correctement avant d'utiliser l'outil. Toujours utiliser une lame propre et bien aiguisée.

⚠ MISE EN GARDE: ne jamais utiliser l'outil pour effectuer une coupe dans les métaux ferreux (acier), la maçonnerie, le verre, le Hardiplank® (ou platelage de maçonnerie similaire), les panneaux de ciment ou la tuile.

Ne pas utiliser de meules ou de lames abrasives. Les lames usées produisent des coupes lentes et inefficaces, surchargent le moteur, engendrent davantage d'éclats de bois et augmentent les risques de rebond. Se reporter au tableau suivant pour déterminer la dimension exacte de la lame de rechange qui convient au modèle concerné.

Modèle	Diamètre	Arbre
DC300	7-1/4 po	5/8 po
DC310	6-1/2 po	5/8 po

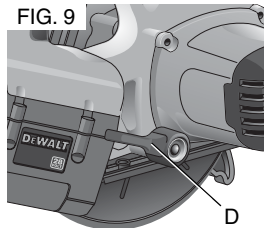
Utiliser uniquement des lames DEWALT pour coupe d'usage général et régulier du bois ou des lames sans carbure pour la coupe de contreplaqué/vinyle.

Pour obtenir plus d'information sur les lames, veuillez communiquer avec DEWALT au 1 800 4-DEWALT (1 800 433-9258).

Réglage de la profondeur de coupe

⚠ AVERTISSEMENT: pour réduire le risque de blessures corporelles graves, éteindre l'outil et le débrancher avant d'effectuer tout réglage ou d'enlever ou d'installer des accessoires.

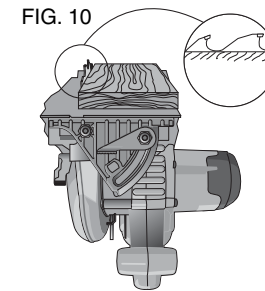
1. Tenir fermement la scie et desserrer (vers la droite) le levier de réglage de profondeur (Fig. 9, D), puis déplacer le patin afin d'obtenir la profondeur voulue.



2. S'assurer de bien resserrer le bouton (vers la gauche) avant de faire fonctionner l'outil.

Afin d'obtenir une coupe optimale, régler le bouton de réglage de profondeur de manière à ce qu'une dent dépasse légèrement sous le matériau à couper; la distance idéale se mesure entre le bout de la dent et le fond de la gorge devant celle-ci. Ceci réduit au minimum la friction de la lame, permet d'éloigner la sciure de la coupe, produit moins de chaleur et accélère le sciage, et réduit les risques de rebond. La figure 10 illustre une méthode pour déterminer la profondeur de coupe appropriée. Il s'agit de déposer la pièce le long de la lame, tel qu'illustré, et de compter le nombre de dents qui dépassent.

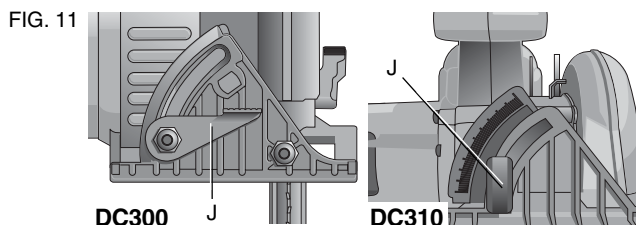
REMARQUE : lorsqu'on utilise une lame à pointes carburées, on doit faire exception à la règle en laissant dépasser seulement la moitié d'une dent.



Réglage de l'angle de biseau (Fig. 11)

⚠ AVERTISSEMENT: pour réduire le risque de blessures corporelles graves, éteindre l'outil et le débrancher avant d'effectuer tout réglage ou d'enlever ou d'installer des accessoires.

La plage complète des angles de biseau s'étend entre 0 et 50 degrés; la parenthèse de pivot s'effectue par échelons de 1 degré. Sur le devant de la scie se trouve un mécanisme de réglage de l'angle de biseau (figure 11) composé d'un support pivotant étalonné et d'un levier de réglage d'angle de biseau (DC300) ou le bouton de réglage d'angle de biseau (DC310).



RÉGLAGE DE LA SCIE POUR UNE COUPE EN BISEAU (FIG.11) :

1. Relever le levier (ou bouton) (J) pour desserrer le mécanisme et incliner la semelle à l'angle souhaité en alignant le pointeur sur le repère voulu.
2. Abaisser le levier pour resserrer le mécanisme de réglage.

Crans de biseau (DC300 only)

⚠ AVERTISSEMENT : pour réduire le risque de blessures corporelles graves, éteindre l'outil et le débrancher avant d'effectuer tout réglage ou d'enlever ou d'installer des accessoires.

La scie est dotée de crans de réglage rapide de biseau. Au fur et à mesure de l'inclinaison de la semelle, un clic se fera entendre et la semelle s'arrêtera à l'angle de 22,5 degrés et à celui de 45 degrés. Si l'un de ces angles est l'angle souhaité, abaisser le levier (J) pour resserrer le mécanisme. Si non, incliner davantage la semelle jusqu'à ce que le pointeur s'aligne avec le repère voulu. Abaisser le levier (J) pour resserrer le mécanisme.

Réglage de la semelle pour les coupes de 90

⚠ AVERTISSEMENT : pour réduire le risque de blessures corporelles graves, éteindre l'outil et le débrancher avant d'effectuer tout réglage ou d'enlever ou d'installer des accessoires.

SI UN RÉGLAGE SUPPLÉMENTAIRE S'AVÈRE NÉCESSAIRE, ON DOIT (FIG. 12)

1. Régler la scie à un angle de zéro.
2. Escamoter le protège-lame. Déposer la scie sur le côté de la lame.
3. Desserrer le levier (ou bouton) de réglage du biseau (J). Placer une équerre contre la lame et la semelle pour obtenir un angle droit.
4. Tourner la vis de réglage (K) sous la semelle jusqu'à ce que la lame et la semelle soient bien d'équerre puis resserrer le levier (ou bouton) de réglage du biseau.
5. Confirmer la précision du réglage en vérifiant la perpendicularité en coupant une pièce de chute.

FIG. 12

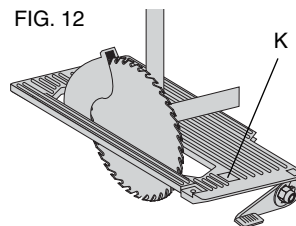
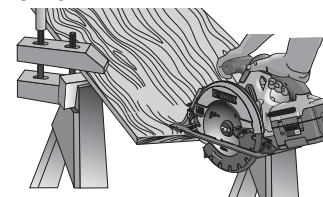


FIG. 13



Indicateur de trait de scie

La partie avant de la semelle de la scie est dotée d'un indicateur de trait de scie pour les coupes verticales et en biseau. L'indicateur permet à l'opérateur de guider la scie le long des lignes de coupe tracées au crayon sur la pièce à couper. L'indicateur s'aligne avec le côté gauche (extérieur) de la lame de sorte que la fente ou l'« entaille » soit effectuée du côté droit de l'indicateur. Suivre la ligne de coupe tracée au crayon de sorte que le trait de scie soit sur le matériau excédentaire ou de chute.

Support de la pièce

⚠ AVERTISSEMENT : pour éviter toute blessure corporelle, soutenir correctement la pièce et tenir fermement la scie pour empêcher une perte de maîtrise de l'outil. La figure 13 illustre la bonne prise de main sur la scie. Saisir fermement la scie des deux mains et positionner le corps et les bras de sorte à résister à l'effet de rebond le cas échéant.

La figure 13 illustre la position de sciage appropriée. Remarquer que les mains sont éloignées de la zone de coupe. Pour éviter l'effet de rebond, SOUTENIR la planche ou le panneau PRÈS de la ligne de coupe (fig. 14), JAMAIS loin de celle-ci (fig. 15).

Placer la pièce de sorte que son « bon » côté, soit celui dont l'apparence est la plus importante, soit vers le bas. En effet, la scie coupe vers le haut, le matériau produira des éclats dans cette direction.

FIG. 14

SOUTENIR la planche ou le panneau PRÈS du trait de coupe.

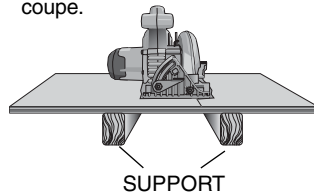
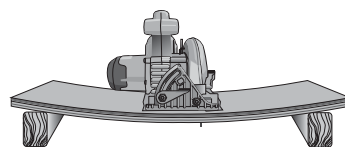


FIG. 15

NE PAS soutenir la planche ou le panneau LOIN du trait de coupe.



Coupe

Placer la section la plus large de la semelle sur la portion de la pièce solidement retenue et non sur celle qui se détachera. Par exemple, la figure 13 illustre la façon CORRECTE de couper l'extrémité d'une planche. Toujours fixer la pièce. Ne jamais tenir les planches plus

courtes avec les mains ! Bien soutenir les pièces en saillie ou en porte-à-faux et prendre les mesures de précaution nécessaires lors de la coupe de matériau sur le dessous.

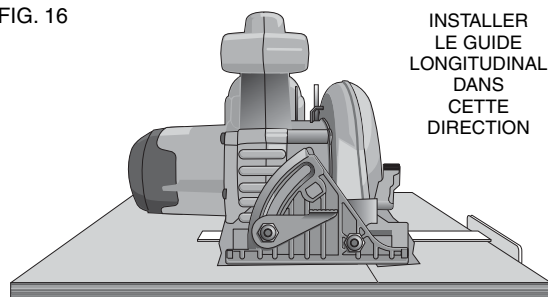
S'assurer que la lame tourne à plein régime avant de placer la lame sur la pièce à couper car on peut engendrer un rebond si on démarre la scie alors qu'elle touche la pièce ou qu'on la pousse dans un trait de scie. Pousser la scie vers l'avant à une vitesse qui permet de couper sans trop forcer. La dureté et la résilience d'une pièce peuvent varier d'une section à l'autre; des sections noueuses ou humides peuvent surcharger la scie. Dans ces cas, pousser la scie plus lentement tout en exerçant une force suffisante pour continuer la coupe sans trop réduire la vitesse. Si on force l'outil, on risque d'obtenir des coupes rugueuses ou inexactes, de provoquer un rebond ou une surchauffe du moteur. Si la scie s'éloigne du trait de coupe, ne pas la forcer à y revenir. On doit plutôt relâcher la gâchette et attendre que la lame s'immobilise. Puis soulever la scie, reprendre une nouvelle coupe légèrement à l'intérieur de l'endroit où l'erreur s'est produite. Dans tous les cas, il faut retirer la scie pour reprendre une coupe. Lorsqu'on essaie de corriger une erreur en laissant la scie dans le trait de coupe, on risque de caler le moteur et de provoquer un rebond.

SI LA SCIE CALE, RELÂCHER LA GÂCHETTE ET DÉGAGER COMPLÈTEMENT LA SCIE. S'ASSURER QUE LA LAME EST BIEN DROITE DANS LE TRAIT DE COUPE ET QU'ELLE NE TOUCHE PAS LE REBORD DE LA PIÈCE AVANT DE RELANCER LA COUPE.

Une fois la coupe terminée, relâcher la gâchette et attendre l'immobilisation complète de la lame avant de dégager la scie de la pièce. Lorsqu'on soulève la scie, le protège-lame rétractable à ressort se ferme automatiquement sous la lame. La lame étant exposée jusqu'à ce moment, ne jamais de pencher sous la pièce en aucune circonstance. Toujours utiliser le levier prévu à cette fin pour escamoter le protège-lame manuellement (comme pour amorcer une découpe en poche).

REMARQUE : lors de la coupe de pièces étroites, s'assurer que les petits morceaux ne demeurent pas coincés dans le protège-lame inférieur.

FIG. 16



SCIAGE EN LONG (FIG. 16)

Le sciage en long consiste à couper de plus grands panneaux sur la longueur, dans le sens du fil, en des bandes plus étroites. Il est plus difficile de guider à la main une telle coupe et on recommande l'utilisation d'un guide longitudinal.

DÉCOUPE EN POCHE (FIG. 17)

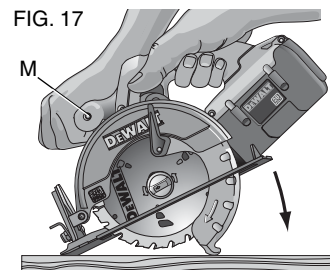
⚠ AVERTISSEMENT : pour réduire le risque de blessures corporelles graves, éteindre l'outil et le débrancher avant d'effectuer tout réglage ou d'enlever ou d'installer des accessoires.

⚠ AVERTISSEMENT : ne jamais fixer le protège-lame en position élevée. Ne jamais déplacer la scie vers l'arrière lors de la coupe en poche car elle peut alors se soulever de la pièce, ce qui risque de provoquer une blessure.

Une coupe en poche est une coupe effectuée dans un plancher, un mur ou toute autre surface plane.

1. Régler la semelle de la scie de sorte que la lame coupe à la profondeur voulue.
2. Incliner la scie vers l'avant et reposer l'avant de la semelle de la scie sur le matériau à couper.
3. Soulever le protège-lame inférieur à l'aide du levier d'escamotage. Abaisser l'arrière de la semelle jusqu'à ce que les dents de la lame touchent presque le trait de coupe.
4. Relâcher le protège-lame (qui touchera la pièce et demeurera escamoté pour amorcer la coupe). Relâcher le protège-lame et saisir fermement la poignée auxiliaire (M) comme indiqué à la figure 17. Positionner le corps et les bras pour résister à l'effet de rebond le cas échéant.
5. S'assurer que la lame ne touche pas la surface à couper avant le démarrage de la scie.
6. Démarrer le moteur et abaisser lentement la scie jusqu'à ce que la semelle soit à plat contre la pièce à couper. Avancer la scie le long de la ligne de coupe jusqu'à ce que cette dernière soit terminée.
7. Relâcher la gâchette et attendre que la lame s'immobilise puis retirer la lame de la pièce.
8. Lors de l'amorce d'une nouvelle coupe, répéter les étapes précédentes.

FIG. 17



ENTRETIEN

⚠ AVERTISSEMENT : pour réduire le risque de blessures corporelles graves, éteindre l'outil et le débrancher avant d'effectuer tout réglage ou d'enlever ou d'installer des accessoires.

Nettoyage

⚠ AVERTISSEMENT : ne jamais utiliser de solvants ni d'autres produits chimiques puissants pour nettoyer les pièces non métalliques de l'outil. Ces produits chimiques peuvent affaiblir les matériaux de plastique utilisés dans ces pièces. Utiliser un chiffon humecté uniquement d'eau et de savon doux. Ne jamais laisser de liquide pénétrer dans l'outil et n'immerger aucune partie de l'outil dans un liquide.

INSTRUCTIONS DE NETTOYAGE DU CHARGEUR

⚠ AVERTISSEMENT : Risque de choc. Débrancher le chargeur de la prise de courant C.A. avant de le nettoyer. La saleté et la graisse peuvent être enlevées de la surface extérieure du chargeur au moyen d'un chiffon ou d'une brosse douce non métallique. Ne pas utiliser d'eau ni d'autres solutions de nettoyage.

Lubrification

Les roulements à billes ou à rouleaux internes de l'outil sont autolubrifiés, de sorte qu'on n'a pas besoin de les lubrifier soi-même. On recommande cependant d'ér l'outil à un centre de service autorisé au moins une fois par année aux fins d'un entretien complet (nettoyage, inspection et lubrification) du carter d'engrenage.

Repairs

Pour assurer la SÉCURITÉ et la FIABILITÉ du produit, les réparations, l'entretien et les réglages doivent être réalisés par un centre de réparation en usine DEWALT, un centre de réparation agréé DEWALT ou par d'autres techniciens qualifiés. Toujours utiliser des pièces de rechange identiques

Accessories

⚠ AVERTISSEMENT : puisque les accessoires autres que ceux offerts par DEWALT n'ont pas été testés avec ce produit, l'utilisation de ceux-ci avec l'outil pourrait s'avérer dangereuse. Pour réduire le risque de blessures, utiliser exclusivement les accessoires DEWALT recommandés avec ce produit.

Les accessoires recommandés pour être utilisés avec l'outil sont disponibles chez le distributeur ou le centre de réparation autorisé de votre région. Si vous avez besoin d'assistance pour trouver tout accessoire, veuillez communiquer avec DEWALT Industrial Tool Co., 701 East Joppa Road, Baltimore, MD 21286, États-Unis, composer le 1(800) 4-DEWALT (1-800-433-9258) ou visiter notre site Web à www.dewalt.com.

Garantie limitée de trois ans

DEWALT réparera, sans frais, tout produit défectueux causé par un défaut de matériel ou de fabrication pour une période de trois ans à compter de la date d'achat. La présente garantie ne couvre pas les pièces dont la défectuosité a été causée par une usure normale ou l'usage abusif de l'outil. Pour obtenir de plus amples renseignements sur les pièces ou les réparations couvertes par la présente garantie, visiter le site www.dewalt.com ou composer le 1 800 433-9258 (1 800 4-DEWALT). Cette garantie ne s'applique pas aux accessoires et ne vise pas les dommages causés par des réparations effectuées par un tiers. Cette garantie confère des droits légaux particuliers à l'acheteur, mais celui-ci pourrait aussi bénéficier d'autres droits variant d'un état ou d'une province à l'autre.

En plus de la présente garantie, les outils DEWALT sont couverts par notre :

CONTRAT D'ENTRETIEN GRATUIT D'UN AN

DEWALT entretiendra l'outil et remplacera les pièces usées au cours d'une utilisation normale et ce, gratuitement, pendant une période d'un an à compter de la date d'achat.

SERVICE D'ENTRETIEN GRATUIT DE DEUX ANS SUR LES BLOCS-PILES DEWALT

DC9096, DC9091, DC9071, DC9360 et DC9280, et la

GARANTIE DE REMBOURSEMENT DE 90 JOURS

Si l'acheteur n'est pas entièrement satisfait, pour quelque raison que ce soit, du rendement de l'outil électrique, du laser ou de la

cloueuse DEWALT, celui-ci peut le retourner, accompagné d'un reçu, dans les 90 jours à compter de la date d'achat pour obtenir un remboursement intégral, sans aucun problème.

AMÉRIQUE LATINE : Cette garantie ne s'applique aux produits vendus en Amérique latine. Pour ceux-ci, veuillez consulter les informations relatives à la garantie spécifique présente dans l'emballage, appeler l'entreprise locale ou consulter le site Web pour les informations relatives à cette garantie.

REPLACEMENT GRATUIT DES ÉTIQUETTES D'AVERTISSEMENT : Si les étiquettes d'avertissement deviennent illisibles ou sont manquantes, composer le 1-800-4-DEWALT pour en obtenir le remplacement gratuit.



Avis de brevet

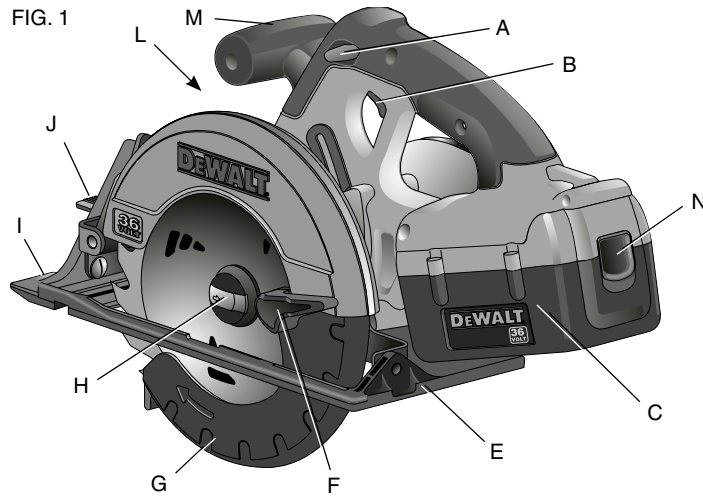
Fabriqué sous les brevets américains numéros :

6859013 6133713
6329788 6057608
6175211 6653815

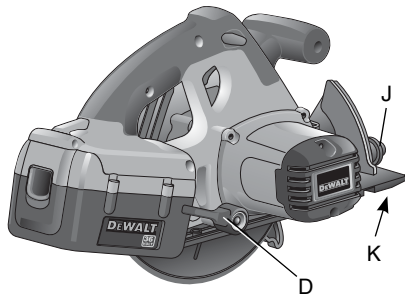
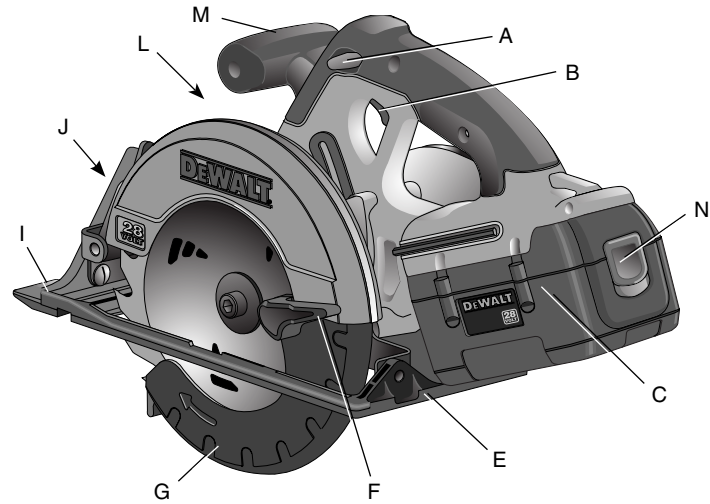
D'autres brevets peuvent être en instance.

Français

DC300, 36 Volt 4000 RPM

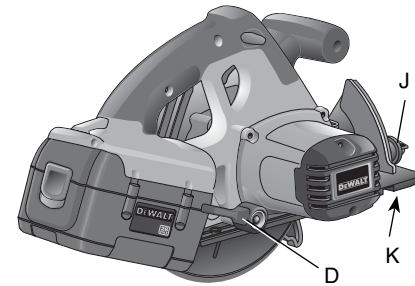


DC310, 28 Volt 3800 RPM



- A. Botón de bloqueo del interruptor
- B. Interruptor disparador
- C. Paquete de baterías
- D. Palanca de ajuste de profundidad
- E. Zapata
- F. Palanca retráctil del protector inferior
- G. Protector inferior
- H. Abrazadera de hoja sin llave (DC300 solamente)

- I. Indicador de corte
- J. Palanca de ajuste del bisel (DC300) o botón de ajuste del bisel (DC310)
- K. Tornillo de ajuste
- L. Botón de bloqueo de la hoja (no se muestra)
- M. Mango auxiliar
- N. Botón de liberación de la batería



Reglas de seguridad generales

⚠️ ADVERTENCIA! Lea todas las instrucciones. El incumplimiento con alguna de las instrucciones enumeradas más abajo puede resultar en descarga eléctrica, incendio y/o lesiones corporales serias. El uso del término "máquina herramienta" en las advertencias que se encuentran a continuación, se refiere a su máquina herramienta ya sea operada por la red de suministro (con cable de alimentación) o a batería (inalámbrica).

GUARDE ESTAS INSTRUCCIONES

1) SEGURIDAD EN EL ÁREA DE TRABAJO

- Mantenga su área de trabajo limpia y bien iluminada.** Los accidentes abundan en las áreas de trabajo desordenadas u oscuras.
- No opere máquinas herramienta en ambientes explosivos, tales como en presencia de líquidos, gases o polvos inflamables.** Las máquinas herramienta generan chispas que pueden inflamar el polvo o los gases.
- No use máquinas herramienta en presencia de niños u otras personas circunstantes.** Las distracciones pueden hacerle perder el control.

2) SEGURIDAD ELÉCTRICA

- Los enchufes de las máquinas herramienta deben poder acoplarse a la toma de corriente. Jamás modifique el enchufe de ninguna manera. No emplee adaptadores de enchufe con máquinas herramienta conectadas a tierra.** Los enchufes no modificados y las tomas de corriente que correspondan al enchufe reducirán el riesgo de descarga eléctrica.
- Evite el contacto corporal con superficies conectadas a tierra, tales como tuberías, radiadores, cocinas y refrigeradores.** Existe un mayor riesgo de descarga eléctrica cuando su cuerpo está conectado a tierra.

- No exponga máquinas herramienta a condiciones lluviosas o húmedas.** Si entra agua a la máquina herramienta, aumentará el riesgo de descarga eléctrica.
- No abuse del cable. Jamás transporte, arrastre o desenchufe la máquina herramienta por el cable. Mantenga el cable alejado de fuentes de calor, aceite, bordes afilados o piezas en movimiento.** Los cables dañados o enredados aumentan el riesgo de descarga eléctrica.
- Cuando opere una máquina herramienta a la intemperie, use un alargador diseñado para uso a la intemperie.** El uso de un alargador diseñado para uso a la intemperie reduce el riesgo de descarga eléctrica. Cuando use un alargador, asegúrese de usar uno de un calibre suficiente como para cargar con la corriente que requerirá su producto. Un alargador de menor calibre causará una caída en el voltaje de la línea lo que resultará en pérdida de potencia y sobrecalentamiento. El siguiente cuadro muestra el tamaño correcto a utilizar, dependiendo del largo del cable y el amperaje nominal. En caso de duda, utilice el de mayor calibre. Mientras menor el número del calibre, mayor la capacidad del cable.

Tamaño mínimo recomendado del conductor para los cables de extensión

Longitud total del cable

25 pies	50 pies	75 pies	100 pies	125 pies	150 pies	175 pies
7.6 m	15.2 m	22.9 m	30.5 m	38.1 m	45.7 m	53.3 m

Tamaño AWG del conductor

18	18	16	16	14	14	12
----	----	----	----	----	----	----

3) SEGURIDAD PERSONAL

- Manténgase alerta, fíjese en lo que está haciendo y utilice su sentido común cuando opere una máquina herramienta. No utilice una máquina herramienta si está cansado o bajo la influencia de drogas, alcohol o medicamentos.** Sólo hace falta un momento de distracción durante

la operación de máquinas herramienta para causar lesiones corporales serias.

- b) Use equipo de seguridad. Utilice siempre protección ocular.** El uso de un equipo de seguridad apropiado a las condiciones de trabajo, tal como máscaras antipolvo, calzado de seguridad anti-derrapante, cascos o protección auditiva, reducirá la posibilidad de sufrir lesiones corporales.
- c) Evite encender la máquina herramienta en forma accidental. Verifique que el conmutador esté apagado antes de enchufar la máquina herramienta.** El sujetar una máquina herramienta con el dedo en el conmutador o enchufar máquinas herramienta con el conmutador encendido se presta para que ocurran accidentes.
- d) Retire toda llave de ajuste antes de encender la máquina herramienta.** Si se deja alguna llave en una pieza giratoria de la máquina herramienta, podría provocar lesiones.
- e) No se sobreextienda. Manténgase siempre bien apoyado y equilibrado.** Esto permite tener un mayor control de la máquina herramienta en situaciones inesperadas.
- f) Vístase debidamente. No se ponga ropa suelta o joyas. Mantenga su pelo, ropa y guantes alejados de piezas móviles.** La ropa suelta, las joyas y el pelo largo pueden quedar atrapados en las piezas móviles. Los orificios de ventilación suelen cubrir piezas en movimiento, por lo que también se deben evitar.
- g) Si la máquina herramienta viene con algún dispositivo de conexión para la extracción y colección de polvo, asegúrese que este sea debidamente conectado y utilizado.** El uso de estos dispositivos puede reducir los peligros relacionados a la generación de polvo.

4) USO Y CUIDADO DE LA MÁQUINA HERRAMIENTA

- a) No fuerce la máquina herramienta. Use la máquina herramienta correcta para su aplicación.** La máquina

herramienta apropiada hará un trabajo mejor y más seguro si se usa de la forma para la cual fue diseñada.

- b) No use la máquina herramienta si el conmutador no puede encenderla y apagarla.** Cualquier máquina herramienta que no pueda ser controlada con el conmutador es peligrosa y debe ser reparada.
- c) Desenchufe la máquina herramienta de la toma de corriente y/o de la unidad de alimentación antes de ajustarla, cambiar de accesorio o guardarla.** Estas medidas de seguridad preventiva reducen el riesgo de poner en marcha la máquina herramienta accidentalmente.
- d) Guarde su máquina herramienta fuera del alcance de niños cuando no la esté usando y no permita que personas que no estén familiarizadas con la máquina herramienta o estas instrucciones la usen.** Las máquinas herramienta son peligrosas en manos de personas no capacitadas.
- e) Mantenga su máquina herramienta. Revise la máquina herramienta para verificar que no esté mal alineada, que sus piezas móviles no estén trabadas o rotas y que no exista otra condición que pudiera afectar su operación. Si está dañada, haga reparar la máquina herramienta antes de utilizarla.** Muchos accidentes son causados por usar máquinas herramienta que no han sido bien mantenidas.
- f) Mantenga máquinas herramienta que son usadas para cortar afiladas y limpias.** Las máquinas herramienta de corte debidamente mantenidas y afiladas tienen menos probabilidades de trabarse y son más fáciles de controlar.
- g) Use la máquina herramienta, sus accesorios, etc., en cumplimiento con estas instrucciones y en la manera para la cual la máquina herramienta fue diseñada, tomando en cuenta las condiciones de trabajo y el trabajo a realizar.** El uso de una máquina herramienta

para operaciones fuera de aquellas para las que fue diseñada podría resultar en una situación peligrosa.

5) USO Y CUIDADO DE LA HERRAMIENTA A BATERÍA

- a) **Asegúrese de que el interruptor está en la posición Apagado (Off) antes de colocar la batería.** La colocación de la batería en herramientas eléctricas que tienen el interruptor en Encendido (On) puede provocar accidentes.
- b) **Recargue solamente con el cargador indicado por el fabricante.** Un cargador apropiado para un tipo de batería puede provocar riesgo de incendio si se utiliza con otra batería.
- c) **Utilice las herramientas eléctricas sólo con las baterías indicadas específicamente.** El uso de cualquier otra batería puede provocar riesgo de lesiones e incendio.
- d) **Cuando no se utiliza la batería, guárdela lejos de otros objetos metálicos como: clips, monedas, llaves, clavos, tornillos u otros objetos metálicos pequeños que puedan producir la conexión de un terminal con otro.** Conectar entre sí los terminales de la batería puede provocar quemaduras o incendio.
- e) **En caso de maltrato, la batería puede expulsar líquido: evite el contacto con el mismo. Si accidentalmente se produce contacto, lave con abundante agua. Si el líquido toca los ojos, busque asistencia médica.** El líquido expulsado por la batería produce irritación o quemaduras.

6) SERVICIO

- a) **Haga reparar su máquina herramienta por un técnico de reparación calificado, utilizando sólo repuestos originales.** Esto garantizará la seguridad de la máquina herramienta.

Normas de seguridad adicionales para las sierra circulares

⚠ PELIGRO: Mantenga las manos alejadas del área de corte y de la hoja. Mantenga su mano libre sobre el mango auxiliar

o la caja protectora del motor. Si utiliza ambas manos para sostener la sierra, no podrá cortarse accidentalmente con la hoja.

- **Mantenga su cuerpo a cualquiera de los dos lados de la hoja pero nunca en línea con la hoja de la sierra.** La sierra podría REBOTAR y saltar hacia atrás (vea REBOTE).
- **No ponga las manos debajo de la pieza de trabajo.** El protector no podrá protegerle de la hoja debajo de la pieza de trabajo.
- **Revise que el protector inferior cierre bien antes de usarlo. No opere la sierra si el protector inferior no se mueve libremente o cierra instantáneamente. Nunca sujete o ate el protector inferior para mantenerlo abierto.** Si la sierra se cae accidentalmente, el protector inferior puede doblarse. Eleve el protector inferior con el mango de retracción y asegúrese que se mueva libremente y que no toque la hoja ni otra parte de la sierra, en todos los ángulos y las profundidades de corte.
- **Revise el funcionamiento y condición del resorte del protector inferior. Si el protector y el resorte no funcionan bien, deberán ser reparados antes de usarse.** Puede que el protector inferior opere con lentitud cuando haya partes dañadas, depósitos pegajosos o una acumulación de residuos.
- **El protector inferior sólo debería ser replegado manualmente para cortes centrales (tipo orificio) y cortes compuestos. Eleve el protector inferior con el mango de retracción. Apenas la hoja penetre el material se deberá soltar el protector inferior.** Para todo otro tipo de serrado, el protector inferior deberá usarse en forma automática.
- **Siempre observe que el protector inferior cubra la hoja antes de dejar la sierra en el piso o sobre un banco.** Una hoja en movimiento sin protección hará que la sierra se desplace hacia atrás cortando todo lo que esté en su camino. Tenga conciencia del tiempo que demora la sierra en detenerse luego de soltarse el conmutador.

- **NUNCA sostenga la pieza de trabajo en sus manos o sobre sus piernas.** Es importante soportar la pieza de trabajo debidamente para minimizar la exposición del cuerpo, el trabado de la hoja o la pérdida de control.
- **Sostenga la herramienta de sus superficies de empuñadura aisladas cuando corte en un lugar donde la sierra pueda entrar en contacto con hilos eléctricos ocultos.** El contacto con un hilo cargado cargará a su vez las partes metálicas expuestas de la herramienta y se descargarán en el operador.
- **Cuando haga cortes longitudinales, siempre use una barra para cortes longitudinales o regla de guía.** Esto mejorará la precisión del corte y reducirá las posibilidades de trabado de la hoja.
- **Siempre use hojas con el tamaño y la forma del orificio del mandril correctos (diamante en vez de redondos).** Aquellas hojas que no sean de la misma forma o tamaño del mandril de la sierra operarán en forma excéntrica lo cual hará que se pierda el control.
- **Nunca use arandelas o pernos dañados o incorrectos con la hoja.** Las arandelas y pernos de la hoja fueron especialmente diseñados para su sierra, para su desempeño óptimo y seguridad de la operación.
- **Evite cortar clavos.** Revise la madera para asegurar que no tenga clavos, antes de cortar.

CAUSAS Y PREVENCIÓN DE REBOTE POR PARTE DEL OPERADOR

- **El rebote es una reacción repentina a una hoja de sierra trabada o mal alineada lo cual causa que la sierra pierda el control y que se levante y rebote contra la pieza de trabajo en la dirección del operador.**
- **Cuando la hoja está trabada firmemente en el cierre de la vía de corte, la hoja se detiene y la reacción del motor lleva a que la unidad rebote rápidamente hacia el operador.**
- **Si la hoja se tuerce o queda mal alineada dentro del corte, los dientes del borde posterior de la sierra pueden penetrar la superficie superior de la madera lo que hace que la hoja se salga de la vía del corte y rebote hacia el operador.**
- **El rebote es el resultado del mal uso de la herramienta o de procedimientos o condiciones de operación incorrectos y puede ser evitado al tomar las precauciones debidas, enumeradas a continuación:**
- **Sujete la sierra firmemente con ambas manos y sitúe su cuerpo y brazo de modo que pueda resistir la fuerza del rebote.** La fuerza del rebote puede ser controlada por el operador si se toman las precauciones debidas.
- **Cuando la hoja se trabe o cuando el corte debe ser interrumpido por cualquier motivo, suelte el gatillo y sostenga la sierra sin moverla, dentro del material hasta que la hoja se detenga completamente. Nunca intente quitar la sierra de la pieza de trabajo o tirar la sierra hacia atrás mientras la hoja esté en movimiento, pues podría rebotar.** Investigue y tome medidas correctivas para eliminar la causa del trabado de la sierra.
- **Cuando vuelva a arrancar la sierra en la pieza de trabajo, centre la hoja en la vía y revise que los dientes de la sierra no estén enganchados en el material.** Si la hoja de la sierra se traba, puede que se levante o rebote de la pieza de trabajo cuando la sierra se vuelva a arrancar.
- **Soporte paneles grandes para minimizar el riesgo de trabado y rebote de la hoja.** Los paneles grandes tienden a hundirse en el medio, por su propio peso. Se debe colocar soporte bajo el panel en ambos costados, cerca de la línea del corte y del borde del panel.
- **No use una hoja roma o dañada.** Las hojas romas o mal puestas producen una vía de corte estrecha lo cual causa una fricción excesiva, trabado de la hoja y rebote.

- **Las palancas de bloqueo de profundidad de la hoja y ajuste del bisel deben estar ajustadas y firmes antes de hacer el corte.** Si el ajuste de la hoja se desplaza durante el corte, la sierra se trabará y REBOTARÁ.
- **Use precaución adicional cuando haga un corte central tipo orificio en paredes existentes u otras áreas ciegas.** La hoja puede cortar objetos tras estas superficies que harán que la sierra rebote.

▲ **ADVERTENCIA:** Use **SIEMPRE** lentes de seguridad. Los anteojos de uso diario **NO** son lentes de seguridad. Utilice también máscaras faciales o para polvo si el corte produce polvillo. UTILICE SIEMPRE EQUIPOS DE SEGURIDAD CERTIFICADOS:

- protección para los ojos ANSI Z87.1(CAN/CSA Z94.3),
- protección auditiva ANSI S12.6 (S3.19),
- protección respiratoria según las normas NIOSH/OSHA/MSHA.

▲ **ADVERTENCIA:** Parte del polvo generado al lijar, serrar, esmerilar o taladrar, así como al realizar otras actividades del sector de la construcción, contienen productos químicos que pueden producir cáncer, defectos congénitos u otras afecciones reproductivas. Ejemplos de esas sustancias químicas son:

- plomo procedente de pinturas basadas en plomo,
- óxido de silicio cristalino procedente de ladrillos, cemento y otros productos de mampostería, y
- arsénico y cromo procedentes de madera tratada químicamente (CCA).

El peligro derivado de estas exposiciones que usted enfrente varía en función de la frecuencia con que se realice este tipo de trabajo. Para reducir la exposición a esas sustancias químicas: trabaje en una zona bien ventilada y llevando equipos de seguridad aprobados, como mascarillas antipolvo especialmente diseñadas para filtrar partículas microscópicas.

- **Evite el contacto prolongado con el polvo procedente del lijado, serrado, esmerilado y taladrado eléctricos, así como de otras actividades del sector de la construcción. Lleve ropa protectora y lave con agua y jabón las zonas expuestas.** Si permite que el polvo se introduzca en la boca u ojos o quede sobre la piel, puede favorecer la absorción de productos químicos peligrosos.

▲ **ADVERTENCIA:** El uso de esta herramienta puede generar o dispersar polvo lo cual puede causar lesiones respiratorias serias y permanentes y otros tipos de lesión. Siempre use protección respiratoria aprobada por NIOSH/OSHA para la exposición al polvo. Dirija las partículas en dirección opuesta a su cara y cuerpo.

▲ **ADVERTENCIA:** Utilice siempre la protección de ojo. Todos los usuarios y personas presentes deben usar la protección de ojo que se conforma con ANSI Z87.1.

▲ **ADVERTENCIA:** Durante el uso, use siempre protección auditiva adecuada que cumpla con la norma ANSI S12.6 (S3.19). Bajo ciertas circunstancias y según el período de uso, el ruido producido por este producto puede contribuir a la pérdida de audición.

▲ **PRECAUCIÓN:** Cuando no se utilice, coloque la sierra circular en una superficie estable, lado del zapato abajo, en la que no provocará tropezones o caídas. Algunas herramientas con paquetes de baterías grandes permanecerán en forma vertical, pero pueden ser derribadas fácilmente.

- La etiqueta de su herramienta puede incluir los siguientes símbolos. Los símbolos y sus definiciones son los siguientes:

V.....voltios	A..... amperios
Hz.....hertz	W..... vatios
minminutos	~ corriente alterna
==corriente directa	n _o velocidad sin carga

ⓘConstrucción Clase I (con conexión a tierra)	⊕ terminal a tierra
ⓂConstrucción Clase II (con aislamiento doble)	⚠ símbolo de alerta de seguridad
BPMgolpes por minuto	.../min..... revoluciones o reciprocidad por minuto

Instrucciones de seguridad importantes para los cargadores de baterías

CONSERVE ESTAS INSTRUCCIONES: Este manual contiene instrucciones importantes de seguridad para los cargadores de baterías.

- Antes de utilizar el cargador, lea todas las instrucciones y las prevenciones en el cargador, en el paquete de baterías y en el producto que utiliza el paquete de baterías.

⚠ADVERTENCIA: Peligro de descarga eléctrica. No permita que ningún líquido entre en el cargador.

⚠PRECAUCIÓN: Peligro de quemaduras. Para reducir el riesgo de lesiones, cargue sólo baterías DEWALT. Otros tipos de baterías pueden estallar y provocar daños personales y materiales.

⚠PRECAUCIÓN: En determinadas condiciones, con el cargador enchufado en el tomacorriente, algunos materiales extraños pueden provocar un cortocircuito en el cargador. Se deben mantener lejos de las cavidades del cargador los materiales extraños de naturaleza conductora, entre los que se incluyen la lana de acero, el papel de aluminio o cualquier acumulación de partículas metálicas. Siempre desenchufe el cargador del tomacorriente cuando no haya un paquete de baterías en la cavidad. Desenchufe el cargador antes de intentar limpiarlo.

- **NO intente cargar el paquete de baterías con cargadores distintos de aquéllos mencionados en este manual.** El

cargador y el paquete de baterías están específicamente diseñados para funcionar en conjunto.

- **Estos cargadores no están diseñados para usos distintos de la carga de baterías recargables de DEWALT.** Otros usos pueden provocar riesgo de incendio, descarga eléctrica o electrocución.
- **No exponga el cargador a la lluvia ni a la nieve.**
- **Tire del enchufe y no del cable al desconectar el cargador.** Esto reducirá el riesgo de avería en el enchufe y el cable.
- **Asegúrese de que el cable esté ubicado de manera que no lo pise, tropiece o esté sujeto a daños o tensiones de alguna otra manera.**
- **No utilice un cable prolongador a menos que sea absolutamente necesario.** El uso de un cable prolongador incorrecto puede provocar riesgo de incendio, descarga eléctrica o electrocución.
- **El cable prolongador debe tener un tamaño de cable adecuado (AWG o Calibre de conductor de Estados Unidos) para seguridad.** Cuanto más pequeño sea el número de calibre del conductor, mayor será la capacidad del cable; es decir, un calibre 16 tiene más capacidad que un calibre 18. Cuando se utiliza más de una prolongación para lograr la longitud total, asegúrese de que cada prolongación tenga la medida mínima del conductor.
- **No coloque objetos en la parte superior del cargador ni coloque el cargador en una superficie blanda que pueda bloquear las ranuras de ventilación y provocar un calor interno excesivo.** Coloque el cargador en una posición alejada de cualquier fuente de calor. El cargador se ventila a través de ranuras en la parte superior e inferior de la unidad.
- **No monte el cargador en la pared ni lo instale en forma permanente sobre ninguna superficie.** El cargador está diseñado para ser utilizado sobre una superficie plana y estable (por ej., un banco o una mesa).

- **No opere el cargador con un cable o enchufe dañados:** reemplácelos de inmediato.
- **No opere el cargador si éste ha recibido un golpe fuerte, se ha caído o presenta algún daño.** Llévelo a un centro de mantenimiento autorizado.
- **No desarme el cargador; llévelo a un centro de mantenimiento autorizado cuando requiera mantenimiento o una reparación.** El armado incorrecto puede implicar un riesgo de descarga eléctrica, electrocución o incendio.
- **Desconecte el cargador del tomacorriente antes de intentar limpiarlo.** Esto reducirá el riesgo de descarga eléctrica. Quitar el paquete de baterías no reducirá este riesgo.
- **NUNCA intente conectar 2 cargadores juntos.**
- **El cargador está diseñado para operar con corriente eléctrica doméstica estándar (120 voltios).** No intente utilizarlo con ningún otro voltaje.

CONSERVE ESTAS INSTRUCCIONES

Introducción

El cargador DC9000 está diseñado para cargar paquetes de baterías DEWALT en una hora aproximadamente. Este cargador no requiere regulación y está diseñado para ser usado con facilidad. Sencillamente coloque el paquete de baterías en la cavidad del cargador enchufado y automáticamente el paquete se cargará.

Instrucciones de seguridad importantes para los paquetes de baterías

⚠ ADVERTENCIA: Para un funcionamiento seguro, lea éste y todos los manuales de instrucciones incluidos con el cargador antes de utilizarlo.

Al solicitar paquetes de baterías de repuesto, asegúrese de incluir el número de catálogo y el voltaje. Consulte el gráfico en la última página de este manual para conocer la compatibilidad entre los cargadores y los paquetes de baterías.

El paquete de baterías incluido en la caja no está completamente cargado. Antes de utilizar el paquete de baterías y el cargador, lea las instrucciones de seguridad a continuación. Luego siga los procedimientos de carga detallados.

LEA TODAS LAS INSTRUCCIONES

- **No incinere el paquete de baterías aunque tenga daños importantes o esté completamente desgastado.** El paquete de baterías puede explotar en el fuego. Cuando se queman paquetes de baterías de iones de litio, se generan vapores y materiales tóxicos.
 - **No cargue ni use la batería en atmósferas explosivas, como ambientes en los que hay líquidos, gases o polvo inflamables.** Insertar o retirar la batería del cargador puede encender el polvo o los vapores.
 - **Si el contenido de las baterías entra en contacto con la piel, lave el área de inmediato con agua y jabón suave.** Si el líquido de la batería entra en contacto con los ojos, enjuague con agua manteniendo los ojos abiertos durante 15 minutos o hasta que la irritación cese. Si se necesita atención médica, el electrolito de la batería contiene una mezcla de carbonatos orgánicos líquidos y sales de litio.
 - **El contenido de las células de la batería abierta puede generar irritación respiratoria.** Respire aire fresco. Si los síntomas persisten, busque atención médica.
- ⚠ ADVERTENCIA:** Peligro de quemaduras. El líquido de la batería puede encenderse si se expone a chispas o llamas.
- Cargue los paquetes de baterías sólo con cargadores DEWALT.
 - **NO salpique ni sumerja en agua u otros líquidos.**
 - **No almacene ni utilice la herramienta y el paquete de baterías en lugares en los que la temperatura puede llegar a o superar los 40 °C (105 °F) (como en toldos al aire libre o construcciones de metal en verano).**

⚠ ADVERTENCIA: Nunca intente abrir el paquete de baterías por ningún motivo. Si la caja del paquete de baterías está agrietada o dañada, no la introduzca en el cargador. No comprima, deje caer ni dañe el paquete de baterías. No utilice un paquete de baterías o un cargador que haya recibido un golpe fuerte, o que se haya caído, que esté agotado o dañado de alguna forma (por ejemplo, perforado con un clavo, golpeado con un martillo, pisado). Los paquetes de baterías dañados deben devolverse al centro de mantenimiento para su reciclado.

⚠ ADVERTENCIA: Peligro de incendio. No guarde o transporte la batería de ninguna manera que permita que los terminales expuestos de la batería entren en contacto con objetos metálicos. Por ejemplo, no coloque la batería en delantales, bolsillos, cajas de herramientas, cajas de juegos de productos, cajones, etc. con clavos, llaves, tornillos sueltos, etc. Transportar las baterías puede provocar incendios si los terminales de la batería entran en contacto accidentalmente con materiales conductores como llaves, monedas, herramientas de mano u objetos similares. Las Normas para Materiales Peligrosos del Departamento de Transporte de los Estados Unidos (HMR) prohíben concretamente transportar baterías con fines comerciales o en aviones (es decir, empacadas en maletas y equipaje de mano) A MENOS que estén debidamente protegidas contra cortocircuitos. Por lo tanto, cuando transporte baterías individuales, asegúrese de que los terminales de éstas estén protegidos y bien aislados de materiales con los que puedan hacer contacto y causar un cortocircuito.

El sello RBRC™

El sello RBRC™ (Corporación de reciclado de baterías recargables) que se encuentra sobre la batería de iones de litio (o paquete de baterías) indica que los costos para reciclar la batería (o el



paquete de baterías) al final de su vida útil ya fueron pagados por DEWALT.

La RBRC, en cooperación con DEWALT y otros usuarios de baterías, ha establecido programas en los Estados Unidos para facilitar la recolección de baterías de iones de litio ya usadas. Ayude a proteger nuestro medio ambiente y a conservar los recursos naturales: devuelva las baterías de iones de litio usadas a un centro de mantenimiento autorizado DEWALT o a un comerciante minorista para que sean recicladas. También puede comunicarse con el centro de reciclado local para obtener información sobre dónde dejar las baterías agotadas.

RBRC™ es una marca comercial registrada de la Corporación de reciclado de baterías recargables.

Recomendaciones para el almacenamiento

1. El mejor lugar de almacenamiento es un lugar fresco y seco, fuera de la luz solar directa y de un exceso de calor o frío.
2. El almacenamiento prolongado no dañará el paquete de baterías ni el cargador. En condiciones adecuadas, pueden ser almacenados durante 5 años o más.

Cargador

El paquete de baterías debe cargarse durante 1 hora en el cargador DEWALT. Asegúrese de leer todas las instrucciones de seguridad antes de utilizar el cargador. Consulte el gráfico en la última página de este manual para conocer la compatibilidad entre los cargadores y los paquetes de baterías.

Procedimiento de carga

1. Enchufe el cargador en un tomacorriente adecuado antes de insertar el paquete de baterías.
2. Introduzca el paquete de baterías en el cargador. El cargador viene equipado con un indicador de combustible con tres

luces que titilarán según el estado de la carga del paquete de baterías.

- Las tres luces rojas encendidas en forma continua indicarán que la carga ha finalizado. El paquete está completamente cargado y puede utilizarse en este momento o dejarse en el cargador.

	de 0% a 33%	la 1ª luz titila
	de 33% a 66%	la 1ª luz permanece encendida y la 2ª luz titila
	de 66% a 99%	la 1ª y la 2ª luz permanecen encendidas y la 3ª titila
	al 100%	la 1ª, la 2ª y la 3ª luz permanecen encendidas

Diagnósticos del cargador

El cargador está diseñado para detectar ciertos problemas que pueden surgir con los paquetes de baterías o el cargador. Los problemas se indican mediante la titilación conjunta de las tres luces rojas en distintos patrones.

LÍNEA DE POTENCIA CON PROBLEMAS

Cuando se utiliza con algunas fuentes de energía portátiles como generadores o fuentes que convierten CD a CA, el cargador puede suspender temporalmente la operación. Las tres luces rojas titilarán en forma conjunta con **dos parpadeos rápidos seguidos de una pausa**. Esto indica que la fuente de energía está fuera de los límites.

BATERÍA AVERIADA

El cargador puede detectar una batería agotada o dañada. Las tres luces rojas titilarán en forma conjunta con **un parpadeo rápido**. La batería no volverá a cargar y debe devolverse a un centro de mantenimiento u otro sitio de recopilación para su reciclado.

CARGADOR AVERIADO

El cargador detectará si no está funcionando adecuadamente. Las tres luces rojas titilarán en forma conjunta con **un parpadeo rápido seguido de un parpadeo largo**. El cargador no volverá a

funcionar y debe devolverse a un centro de mantenimiento u otro sitio de recopilación para su reciclado.

DEJAR LA BATERÍA EN EL CARGADOR

El cargador y el paquete de baterías se pueden dejar conectados con la luz roja encendida indefinidamente. El cargador mantendrá el paquete de baterías como nuevo y completamente cargado. Este cargador posee un modo de sintonización automático que iguala o equilibra las células individuales del paquete de baterías para que funcione al máximo de su capacidad. Los paquetes de baterías deben ajustarse semanalmente o siempre que la batería no suministre la misma cantidad de potencia. Para utilizar el modo de sintonización, coloque el paquete de baterías en el cargador y déjelo como mínimo durante 8 horas.

Notas importantes sobre la carga

- Obtendrá una duración más prolongada y un mejor rendimiento si el paquete de baterías se carga cuando la temperatura ambiental está entre 18 °C y 24 °C (65 °F y 75 °F). NO cargue el paquete de batería con una temperatura ambiental por debajo de +4,5 °C (+40 °F) o por encima de +40,5 °C (+105 °F). Esto es importante y evitará daños graves en el paquete de baterías.
- El cargador y el paquete de baterías pueden estar calientes al tacto durante la carga. Ésta es una condición normal y no indica un problema. Para facilitar el enfriado del paquete de baterías después de su uso, evite colocar el cargador o el paquete de baterías en un ambiente cálido, como debajo de un toldo de metal o en un remolque sin aislamiento.
- Si el paquete de baterías no se carga adecuadamente:
 - Revise el tomacorriente enchufando una lámpara u otro aparato.
 - Verifique si el tomacorriente está conectado a un interruptor que corta la energía cuando usted apaga la luz.

- c. Mueva el cargador y el paquete de baterías a un lugar donde la temperatura ambiental sea de aproximadamente 18 °C a 24 °C (65 °F a 75 °F).
 - d. Si los problemas de carga persisten, lleve la herramienta, el paquete de baterías y el cargador al centro de mantenimiento local.
4. Cuando el paquete de baterías no produce energía suficiente para las tareas que previamente realizaba con facilidad, se debe recargar. NO CONTINÚE con el uso en estas condiciones. Siga el procedimiento de carga. También se puede cargar un paquete de baterías parcialmente usado cuando se desee, sin ningún efecto negativo sobre éstas.
 5. Se deben mantener lejos de las cavidades del cargador los materiales extraños de naturaleza conductora entre los que se incluyen, si bien no de manera taxativa, la lana de acero, el papel de aluminio o cualquier acumulación de partículas metálicas. Siempre desenchufe el cargador del tomacorriente cuando no haya un paquete de baterías en la cavidad. Desenchufe el cargador antes de intentar limpiarlo.
 6. No congele ni sumerja el cargador en agua ni en ningún otro líquido.

⚠ ADVERTENCIA: Peligro de descarga eléctrica. No permita que ningún líquido entre en el cargador.

⚠ PRECAUCIÓN: Nunca intente abrir el paquete de baterías por ningún motivo. Si la caja protectora de plástico del paquete de baterías se rompe o agrieta, devuélvala a un centro de mantenimiento para su reciclado.

Instalación y extracción del paquete de baterías (Fig. 2, 3)

NOTA: Asegúrese de que el paquete de baterías esté completamente cargado

⚠ ADVERTENCIA: Asegúrese de que el botón de bloqueo del interruptor (A) esté trabado para evitar el accionamiento del interruptor antes de extraer o instalar la batería.

Para instalar el paquete de baterías en el mango de la herramienta, alinee la base de la herramienta con los rieles dentro del mango de la herramienta y deslice el paquete de baterías en el mango con firmeza hasta que escuche que la traba haya calzado en su lugar.

Para retirar el paquete de baterías de la herramienta, presione el botón de liberación (N) y empuje con firmeza el paquete de baterías hacia afuera del mango de la herramienta. Introdúzcalo en el cargador de la forma que se describe en la sección relativa al cargador de este manual.

FIG. 2

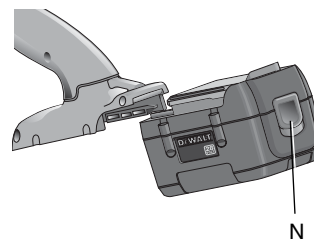
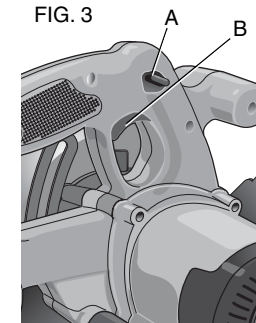


FIG. 3



FUNCIONAMIENTO

⚠ ADVERTENCIA: Para reducir el riesgo de lesiones personales graves, apague la herramienta y desconéctela de la fuente de alimentación antes de realizar ajustes o de retirar/instalar cualquier dispositivo o accesorio.

Interruptor

Presione el botón de bloqueo del interruptor (A) para liberarlo según se indica (Fig. 3). Para encender el motor, tire del interruptor disparador (B). Para apagar el motor, libere el interruptor disparador. **Al liberar el interruptor disparador, el botón de bloqueo se acciona en forma automática.**

NOTA: Esta herramienta no tiene un dispositivo para trabar el interruptor en la posición de encendido y nunca debe bloquearse en esta posición por ningún medio.

Cambio de las hojas

⚠ ADVERTENCIA: Para reducir el riesgo de lesiones personales graves, apague la herramienta y desconéctela de la fuente de alimentación antes de realizar ajustes o de retirar/instalar cualquier dispositivo o accesorio.

DC300 SOLAMENTE (FIG. 4, 5)

La DC300 está equipada con una abrazadera de hoja sin llave (H) y está diseñada para ser ajustada en forma manual. El uso de herramientas externas puede dañar la abrazadera de la hoja.

Para instalar la hoja:

1. Coloque la arandela interna de la abrazadera (O) en el eje de la sierra con la superficie grande y plana hacia afuera en dirección a la hoja (Fig. 4).
2. Repliegue el protector inferior de la hoja (G), coloque la hoja en el eje de la sierra contra la arandela interna de la abrazadera y asegúrese de que la hoja girará en la dirección correcta (la dirección de rotación que indica la flecha en la hoja de la sierra y los dientes debe ser la misma que la dirección de rotación que indica la flecha en el protector inferior). No dé por sentado que la impresión de la hoja estará siempre de frente a usted cuando la hoja esté correctamente instalada. Cuando repliegue el protector inferior de la hoja para instalar la hoja, verifique el estado y el accionamiento del protector para asegurarse

de que funcione correctamente. Asegúrese de que se mueva libremente y de que no toque la hoja ni ninguna otra pieza en todos los ángulos y profundidades de corte.

FIG. 4

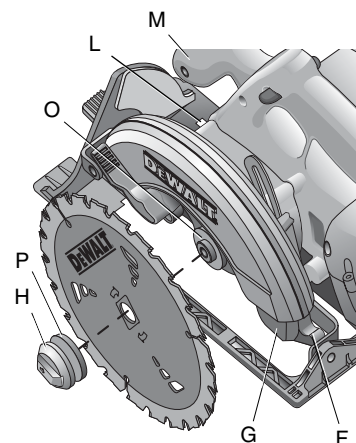
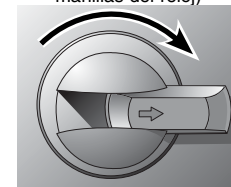
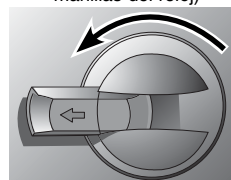


FIG. 5 AFLOJAR
(dirección de las manillas del reloj)



AJUSTAR
(dirección contraria a las manillas del reloj)



3. Coloque la arandela exterior de la abrazadera (P) en el eje de la sierra con la superficie grande y plana contra la hoja y el costado con los dientes del trinquete hacia afuera.
4. Enrosque manualmente la abrazadera de hoja sin llave (H) en el eje de la sierra (la abrazadera tiene roscas hacia la izquierda que deben ajustarse en sentido contrario a las agujas del reloj, según lo ilustrado en el Figura 5).
5. Oprima el botón de bloqueo de la hoja (L) mientras gira el eje de la hoja en forma manual hasta que el bloqueo de la hoja trabe y la hoja deje de girar
6. Extienda la palanca de la abrazadera de hoja sin llave (H) y ajuste manualmente con firmeza (Fig. 5).

PRECAUCIÓN: Nunca trabe el bloqueo de la hoja con la sierra en funcionamiento ni intente trabar la hoja en un intento de detener la herramienta. Nunca encienda la sierra mientras el bloqueo de la hoja esté trabado. Esto ocasionaría daños graves a la sierra.

Para reemplazar la hoja (Fig. 4):

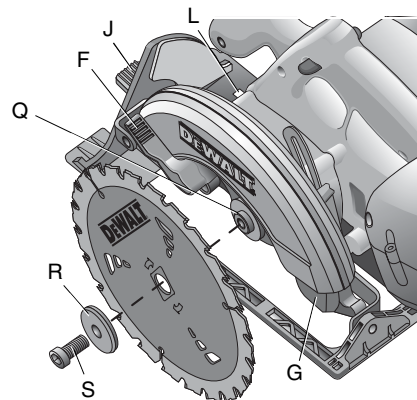
1. Oprima el botón de bloqueo de la hoja (L) y gire el eje de la hoja hasta que el bloqueo de la hoja trabe y la hoja deje de girar. Con el bloqueo de la hoja trabado, extienda la palanca de la abrazadera de hoja sin llave y gire en el sentido de las agujas del reloj (la abrazadera tiene roscas hacia la izquierda que deben aflojarse en el sentido de las agujas del reloj, según lo ilustrado en el Figura 5).
2. Retire la abrazadera de hoja sin llave (H) y la arandela externa de la abrazadera (P) solamente. Retire la hoja usada.
3. Limpie el aserrín que pudiera estar acumulado en el protector o en el área de la arandela de la abrazadera y verifique el estado y el funcionamiento del protector inferior de la hoja como se detalló anteriormente. No lubrique esta área.
4. Elija la hoja adecuada para la aplicación (ver **Hojas**). Utilice siempre las hojas de tamaño correcto (diámetro), con la forma y el tamaño adecuados del orificio central, para montar en el eje de la sierra. Asegúrese siempre de que la velocidad máxima recomendada (rpm) de la hoja de la sierra sea igual o mayor que la velocidad (rpm) de la sierra.
5. Siga los pasos 2 al 6 enumerados bajo el título **Para instalar la sierra** a fin de asegurarse de que la hoja girará en la dirección correcta.

DC310 SOLAMENTE (FIG. 6, 7)

Para instalar la hoja:

1. Coloque la arandela de fijación interior (Q) en el eje de la sierra con la superficie grande y plana mirando hacia la parte de afuera de la hoja (Fig. 6).

FIG. 6



2. Repliegue el protector inferior de la hoja (G) y ponga la hoja en el eje de la sierra contra la arandela de fijación interior, asegurando que la hoja rote en la dirección correcta (la flecha de rotación en la hoja y los dientes de la sierra debe apuntar en la misma dirección que la flecha de rotación de la sierra). No suponga que la parte impresa de la hoja tenga que estar mirando hacia afuera cuando esté debidamente instalada. Cuando repliegue el protector inferior de la hoja para instalar la hoja, revise la condición y operación del protector inferior de la hoja para asegurar que esté funcionando bien. Asegúrese que se mueva libremente y que no toque la hoja ni cualquiera otra parte de la sierra, en todos los ángulos y profundidades de corte.
3. Coloque la arandela de fijación exterior (R) en el eje de la sierra con la superficie grande y plana contra la hoja con el lado biselado hacia afuera.

4. Inserte el tornillo de fijación de la hoja (S) en el eje de la sierra con la mano (el tornillo tiene hilos en dirección siniestra y debe ser girado en dirección contraria a las manillas del reloj para ser ajustado, según lo ilustrado en el Figura 8).
5. Presione el dispositivo de bloqueo de la hoja (L) al girar el eje de la sierra con la llave de la hoja hasta que el dispositivo de bloqueo de la hoja enganche y la hoja deje de rotar (Fig. 7).
6. Ajuste bien el tornillo de fijación de la hoja con la llave de la hoja.

PRECAUCIÓN: Nunca trabe el bloqueo de la hoja con la sierra en funcionamiento ni intente trabar la hoja en un intento de detener la herramienta. Nunca encienda la sierra mientras el bloqueo de la hoja esté trabado. Esto ocasionaría daños graves a la sierra.

FIG. 7

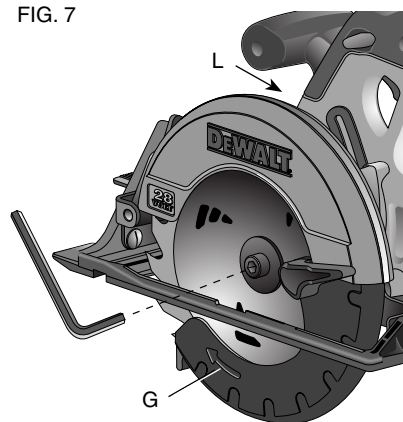
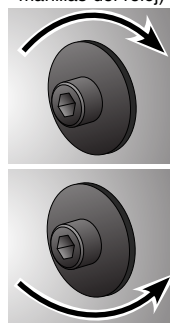


FIG. 8 AFLOJAR
(dirección de las manillas del reloj)



AJUSTAR
(dirección contraria a las manillas del reloj)

Para cambiar la hoja (Fig. 7):

1. Para soltar el tornillo de fijación de la hoja (S), presione el dispositivo de bloqueo de la hoja (L) y gire el eje de la sierra con la

llave de la hoja hasta que el bloqueo de la hoja enganche y la hoja deje de rotar. Con el bloqueo de la hoja enganchado, gire el tornillo de fijación de la hoja en dirección de las manillas del reloj con la llave de la hoja (el tornillo tiene hilos en dirección siniestra y debe ser girado en dirección de las manillas del reloj para ser aflojado).

2. Quite sólo el tornillo de fijación de la hoja (S) y la arandela de fijación exterior (R). Quite la hoja vieja.
3. Limpie el aserrín que se haya acumulado en el protector o el área de la arandela de fijación y revise la condición y funcionamiento del protector inferior de la hoja como se describe más arriba. No lubrique esta área.
4. Seleccione la hoja correcta para la aplicación (vea **Hojas**). Siempre use hojas que sean del tamaño correcto (diámetro) con el orificio central del tamaño y la forma apropiados para el montaje en el eje de la sierra. Siempre asegure que la hoja de la sierra alcance o supere la velocidad máxima recomendada (rpm) de la sierra.
5. Siga los pasos 2 a 6 bajo **Para instalar la hoja**, asegurándose que la hoja gire en la dirección correcta.

PROTECTOR INFERIOR DE LA HOJA (DC300 y DC310)

⚠ADVERTENCIA: El protector inferior de la hoja es un dispositivo de seguridad que reduce el riesgo de lesiones personales graves. Nunca utilice la sierra si el protector inferior falta, está dañado, mal montado o no funciona correctamente. Bajo ninguna circunstancia confíe en el protector inferior de la hoja para protegerse. Su seguridad depende de que respete todas las advertencias y precauciones y de que opere la sierra adecuadamente. Antes de cada uso, verifique que el protector inferior cierre correctamente como se describe en la sección Normas de seguridad adicionales para las sierras circulares. Si el protector inferior de la hoja falta o no funciona adecuadamente, haga reparar la sierra antes

de usarla. Para garantizar la seguridad y la confiabilidad del producto, las reparaciones, el mantenimiento y los ajustes se deben realizar en los centros de mantenimiento autorizados o en otras organizaciones de mantenimiento calificadas, y siempre deben utilizarse piezas de repuesto idénticas.

Hojas

⚠ADVERTENCIA: Para minimizar el riesgo de lesiones oculares, siempre use protección ocular. El carburo es un material duro pero quebradizo. Si topa con objetos extraños en la pieza de trabajo, tales como alambres o clavos, podría cuartear o quebrar las puntas. Sólo opere la sierra cuando el protector de la hoja esté en su lugar debido. Monte la hoja en forma segura y asegúrese de que rote en la dirección debida antes de usar la sierra y siempre use una hoja limpia y afilada.

⚠PRECAUCIÓN: No use esta sierra para cortar metales ferrosos (acero), mampostería, vidrio, Hardiplank® (u otro tipo de mampostería similar al entarimado), tablas de cemento o baldosas.

No utilice hojas o discos abrasivos. Una hoja sin filo puede ocasionar un corte lento e ineficiente, la sobrecarga del motor, la formación excesiva de astillas y puede aumentar la posibilidad de retroceso de la hoja. Consulte la siguiente tabla para determinar el tamaño adecuado de la hoja de reemplazo para su modelo de sierra.

Modelo	Diámetro	Eje
DC300	7-1/4"	5/8"
DC310	6-1/2"	5/8"

Utilice solamente hojas DEWALT para realizar cortes de todo tipo, cortes uniformes en madera o cortes en vinilo/madera contrachapada sin punta de carburo.

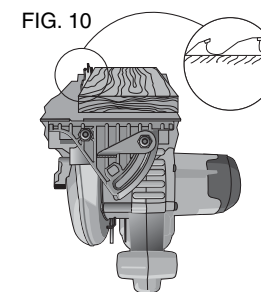
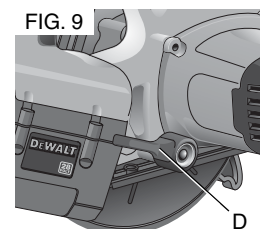
Si necesita ayuda con relación a las hojas, comuníquese al 1-800-4-DEWALT (1-800-433-9258).

Ajuste de la profundidad de corte

⚠ADVERTENCIA: Para reducir el riesgo de lesiones personales graves, apague la herramienta y desconéctela de la fuente de alimentación antes de realizar ajustes o de retirar/instalar cualquier dispositivo o accesorio.

1. Sostenga la sierra con firmeza, afloje la palanca de ajuste de profundidad (en el sentido de las agujas del reloj), (Fig. 9, D), y mueva la zapata hasta obtener la profundidad de corte deseada.
2. Asegúrese de volver a ajustar la palanca de ajuste de profundidad (en sentido contrario a las agujas del reloj) antes de operar la sierra.

Para lograr una acción de corte eficiente, configure el ajuste de profundidad de modo que un diente de la sierra se proyecte por debajo del material que desea cortar. Esta distancia va desde la punta del diente hasta la parte inferior del paso enfrente de éste. Esto minimiza la fricción de la hoja, elimina las astillas del corte, permite un corte más rápido y sin sobrecalentamiento y reduce las posibilidades de retroceso de la hoja. La Figura 10 muestra un método para verificar que la profundidad de corte sea la correcta. Coloque una pieza del material que planea cortar a lo largo del costado de la sierra, como se muestra, y observe cuánto del diente se proyecta más allá del material.



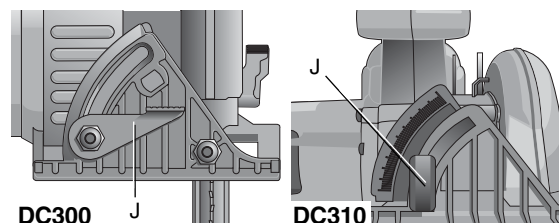
NOTA: Cuando use hojas con punta de carburo, haga una excepción a la norma anterior y deje que sólo la mitad de un diente se proyecte por debajo del material que desea cortar.

Ajuste del ángulo del bisel (Fig. 11)

⚠ ADVERTENCIA: Para reducir el riesgo de lesiones personales graves, apague la herramienta y desconéctela de la fuente de alimentación antes de realizar ajustes o de retirar/instalar cualquier dispositivo o accesorio.

El margen total de ajuste del bisel oscila entre 0° y 50°. El soporte giratorio está graduado en incrementos de 1°. En el frente de la sierra hay un mecanismo para regular el ángulo del bisel, (Fig. 11), que consta de un soporte giratorio calibrado y una palanca de ajuste del bisel (DC300) o botón de ajuste del bisel (DC310).

FIG. 11



PARA CONFIGURAR LA SIERRA PARA UN CORTE BISELAD (FIG.11)

1. Eleve la palanca (o botón) (J) para aflojar el ajuste del bisel, alinee el indicador con la marca del ángulo deseado e incline la zapata hasta alcanzar dicho ángulo.
2. Baje la palanca y vuelva a ajustar el ajuste del bisel.

Retén del bisel (DC300 solamente)

⚠ ADVERTENCIA: Para reducir el riesgo de lesiones personales graves, apague la herramienta y desconéctela de la fuente de alimentación antes de realizar ajustes o de retirar/instalar cualquier dispositivo o accesorio.

Esta sierra está equipada con un retén para el bisel. A medida que inclina la zapata, oírás un clic y observará que la zapata se detiene a los 22,5 y 45 grados. Si uno de estos ángulos corresponde al ángulo deseado, baje la palanca (J) y vuelva a ajustarla. Si busca otro ángulo, siga inclinando la zapata hasta que el indicador se alinee con la marca deseada. Baje la palanca (J) y vuelva a ajustarla.

Ajuste de la zapata para cortes a 90°

⚠ ADVERTENCIA: Para reducir el riesgo de lesiones personales graves, apague la herramienta y desconéctela de la fuente de alimentación antes de realizar ajustes o de retirar/instalar cualquier dispositivo o accesorio.

SI SE REQUIERE UN AJUSTE ADICIONAL (FIG. 12)

1. Regule la sierra a un bisel de 0°.
2. Repliegue el protector de la hoja. Coloque la sierra sobre el costado de la hoja.
3. Afloje la palanca (o botón) de ajuste del bisel (J). Coloque una escuadra contra la hoja y la zapata para ajustar a la configuración de 90°.
4. Gire el tornillo de ajuste (K) en la parte inferior de la zapata hasta que la hoja y la zapata estén al ras con la escuadra. Vuelva a ajustar la palanca (o botón) de ajuste del bisel (J).
5. Verifique la cuadratura de un corte real en una pieza de descarte del material para confirmar la precisión de la configuración.

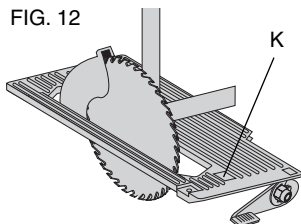


FIG. 12

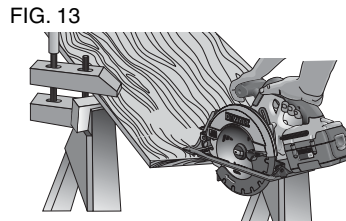


FIG. 13

Indicador de corte

La parte frontal de la sierra tiene un indicador de corte para los cortes verticales y biselados. Este indicador le permite guiar la sierra a lo largo de las líneas de corte marcadas con lápiz en el material que desea cortar. El indicador se alinea con el costado izquierdo (exterior) de la hoja de la sierra, que produce la ranura o corte de la sierra ("kerf") al descender en movimiento a la derecha del indicador. Guíe la hoja a lo largo de la línea de corte marcada con lápiz de modo que el corte de la sierra caiga en el material excedente o de descarte.

FIG. 14

APOYE la tabla o el panel CERCA del corte.

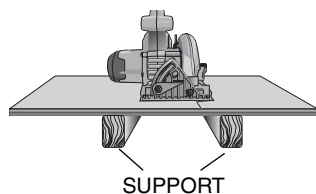
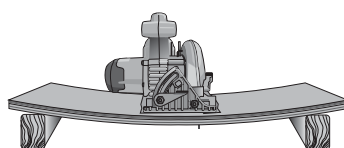


FIG. 15

NO APOYE la tabla o el panel LEJOS del corte.



Apoyo de las piezas de trabajo

⚠ ADVERTENCIA: Es importante apoyar bien la pieza sobre la que se trabaja y sostener la sierra firmemente para evitar la pérdida de control, que podría provocar lesiones personales. La Figura 13 ilustra el soporte manual correcto de la sierra. Sujete la herramienta firmemente con ambas manos y ubique su cuerpo y el brazo de modo que pueda resistir el retroceso de la hoja, en caso de que ocurriese.

La Figura 13 muestra la posición correcta de la sierra. Observe que las manos están ubicadas fuera del área de corte. **Para evitar el retroceso,** APOYE la tabla o el panel CERCA del corte (Fig. 14). NO APOYE la tabla o el panel lejos del corte (Fig. 15).

Coloque la pieza de trabajo con su lado "bueno" – el que tiene mejor apariencia – hacia abajo. La sierra corta hacia arriba, de modo que, en el caso de que se formasen astillas, éstas se formarán en la cara de la pieza que está hacia arriba.

Corte

Coloque la parte más ancha de la zapata de la sierra sobre la parte de la pieza de trabajo que está firmemente apoyada, no sobre la sección que se caerá cuando se realice el corte. A modo de ejemplo, la Figura 13 ilustra la manera CORRECTA de cortar el extremo de una tabla. Siempre asegure la pieza de trabajo. ¡No trate de sujetar piezas cortas con la mano! Recuerde sostener el material voladizo o saliente. Tenga cuidado cuando corte el material desde abajo.

Asegúrese de que la sierra funcione a su velocidad máxima antes de que la hoja haga contacto con el material que desea cortar. Arrancar la sierra con la hoja contra el material que desea cortar puede ocasionar el retroceso de la hoja. Empuje la sierra hacia adelante a una velocidad que permita que la hoja corte sin esfuerzo. La dureza y la rigidez pueden variar, aun en la misma pieza de trabajo, y las secciones nudosas o húmedas pueden sobrecargar

la sierra. Cuando ocurre esto, empuje la sierra más despacio, pero con fuerza suficiente para seguir trabajando sin que la velocidad disminuya. Forzar la sierra puede causar cortes ásperos, inexactitud, el retroceso de la hoja y el sobrecalentamiento del motor. Si comienza el corte fuera de la línea, no trate de forzarlo al lugar de corte correspondiente. Libere el interruptor y deje que la hoja se detenga por completo. Luego puede retirar la sierra, observar nuevamente y comenzar un nuevo corte ligeramente dentro del corte incorrecto. En cualquier caso, retire la sierra si debe cambiar el corte. Forzar la corrección del corte dentro del corte puede atascar la sierra y provocar el retroceso de la hoja.

SI LA SIERRA SE ATASCA, LIBERE EL INTERRUPTOR Y RETIRE LA SIERRA HASTA QUE SE SUELTE. ANTES DE VOLVER A ARRANCAR LA SIERRA, ASEGÚRESE DE QUE LA HOJA ESTÉ DIRECTAMENTE EN EL CORTE Y ALEJADA DEL BORDE DE CORTE.

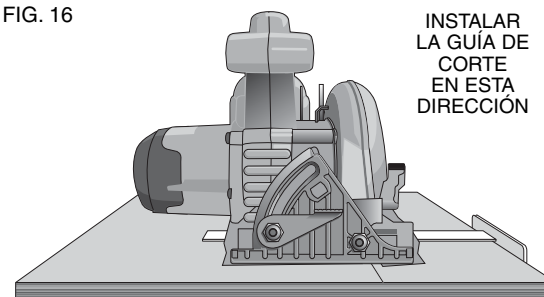
Cuando termine de cortar, libere el interruptor y deje que la hoja se detenga antes de levantar la sierra de la pieza de trabajo. Cuando levante la sierra, el protector telescópico tensado a resorte se cerrará automáticamente debajo de la hoja. Recuerde que antes de que esto ocurra, la hoja está expuesta. Nunca se extienda por debajo de la pieza de trabajo por ningún motivo. Cuando tenga que replegar el protector telescópico en forma manual (según se requiere para empezar los cortes internos), utilice siempre la palanca retráctil.

NOTA: Cuando corte tiras angostas, tenga la precaución de asegurarse de que las piezas pequeñas cortadas no cuelguen dentro del protector inferior.

CORTE LONGITUDINAL (FIG. 16)

El corte longitudinal consiste en cortar tablas anchas en tiras más agostas siguiendo la veta de la madera. Para este tipo de corte, guiarse en forma manual resulta más difícil, por lo que se recomienda el uso de una guía de corte.

FIG. 16



INSTALAR
LA GUÍA DE
CORTE
EN ESTA
DIRECCIÓN

CORTE INTERNO (FIG. 17)

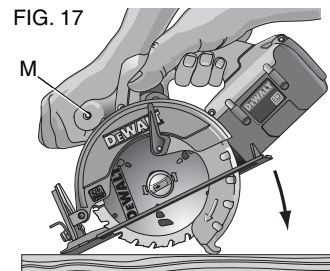
⚠ ADVERTENCIA: Para reducir el riesgo de lesiones personales graves, apague la herramienta y desconéctela de la fuente de alimentación antes de realizar ajustes o de retirar/instalar cualquier dispositivo o accesorio.

⚠ ADVERTENCIA: Nunca ate el protector de la hoja en una posición elevada. Nunca mueva la sierra hacia atrás cuando realice cortes internos. Esto puede ocasionar que la unidad se eleve de la superficie de trabajo y se produzcan lesiones.

Los cortes internos son los que se realizan en pisos, paredes u otras superficies planas.

1. Regule la zapata de la sierra a la profundidad de corte deseada de la hoja.
2. Inclíne la sierra hacia adelante y apoye el frente de la zapata en el material que desea cortar.
3. Use la palanca retráctil y repliegue el protector infe-

FIG. 17



rior de la hoja a una posición elevada. Baje la parte trasera de la zapata hasta que los dientes de la hoja apenas toquen la línea de corte.

4. Libere el protector de la hoja (el contacto de éste con la pieza de trabajo lo mantendrá en su lugar para que se abra libremente cuando comience a realizar el corte). Retire la mano de la palanca del protector y sujete con firmeza el mango auxiliar (M), como se muestra en la Figura 17. Ubique su cuerpo y el brazo de modo que pueda resistir el retroceso de la hoja en caso de que ocurriese.
5. Antes de encender la sierra, asegúrese de que la hoja no esté en contacto con la superficie de corte.
6. Arranque el motor y baje la sierra gradualmente hasta que la zapata se apoye horizontalmente sobre el material que desea cortar. Avance la sierra a lo largo de la línea de corte hasta completar el corte.
7. Libere el interruptor y deje que la sierra se detenga por completo antes de retirar la hoja del material.
8. Cada vez que comience un nuevo corte, repita el proceso descrito.

MANTENIMIENTO

⚠ ADVERTENCIA: Para reducir el riesgo de lesiones personales graves, apague la herramienta y desconéctela de la fuente de alimentación antes de realizar ajustes o de retirar/instalar cualquier dispositivo o accesorio.

Limpieza

⚠ ADVERTENCIA: nunca utilice disolventes u otros químicos abrasivos para limpiar las piezas no metálicas de la herramienta. Estos productos químicos pueden debilitar los materiales plásticos utilizados en estas piezas. Utilice un paño humedecido sólo con agua y jabón neutro. Nunca permita que penetre líquido dentro de la herramienta ni sumerja ninguna de las piezas en un líquido.

INSTRUCCIONES PARA LA LIMPIEZA DEL CARGADOR

⚠ ADVERTENCIA: Peligro de descarga eléctrica. Desconecte el cargador del tomacorriente de CA antes de limpiarlo. Para quitar la suciedad y la grasa de la parte externa del cargador, se puede usar un paño o un cepillo suave, que no sea metálico. No use agua ni cualquier otra solución de limpieza.

Lubricación

La herramienta usa rodamientos autolubrificantes y no requieren ser relubricados. Sin embargo, sí se recomienda que una vez al año lleve o envíe la herramienta a un centro de servicio autorizado para una limpieza, inspección y lubricación a fondo del cárter.

Reparaciones

Para asegurar la SEGURIDAD y la CONFIABILIDAD del producto, las reparaciones, el mantenimiento y los ajustes deben ser realizados en un centro de mantenimiento en la fábrica DEWALT, en un centro de mantenimiento autorizado DEWALT u por otro personal de mantenimiento calificado. Utilice siempre piezas de repuesto idénticas.

ACCESORIOS

⚠ ADVERTENCIA: Debido a que no se han probado con este producto otros accesorios que no sean los que ofrece DEWALT, el uso de dichos accesorios podría ser peligroso. Para reducir el riesgo de lesiones, con este producto deben usarse sólo los accesorios DEWALT recomendados.

Los accesorios que se recomiendan para la herramienta están disponibles a un costo adicional en su distribuidor local o en un centro de mantenimiento autorizado. Si necesita ayuda para localizar algún accesorio para su herramienta, comuníquese con DEWALT Industrial Tool Co., 701 East Joppa Road, Baltimore, MD 21286, llame al 1-800-4-DEWALT (1-800-433-9258) o visite nuestro sitio Web www.dewalt.com.

Póliza de Garantía

IDENTIFICACIÓN DEL PRODUCTO:

Sello o firma del Distribuidor.

Nombre del producto: _____ Mod./Cat.: _____

Marca: _____ Núm. de serie: _____

(Datos para ser llenados por el distribuidor)

Fecha de compra y/o entrega del producto: _____

Nombre y domicilio del distribuidor donde se adquirió el producto: _____

Este producto está garantizado por un año a partir de la fecha de entrega, contra cualquier defecto en su funcionamiento, así como en materiales y mano de obra empleados para su fabricación. Nuestra garantía incluye la reparación o reposición del producto y/o componentes sin cargo alguno para el cliente, incluyendo mano de obra, así como los gastos de transportación razonablemente erogados derivados del cumplimiento de este certificado.

Para hacer efectiva esta garantía deberá presentar su herramienta y esta póliza sellada por el establecimiento comercial donde se adquirió el producto, de no contar con ésta, bastará la factura de compra.

EXCEPCIONES.

Esta garantía no será válida en los siguientes casos:

- Cuando el producto se hubiese utilizado en condiciones distintas a las normales;
- Cuando el producto no hubiese sido operado de acuerdo con el instructivo de uso que se acompaña;
- Cuando el producto hubiese sido alterado o reparado por personas distintas a las enlistadas al final de este certificado.

Anexo encontrará una relación de sucursales de servicio de fábrica, centros de servicio autorizados y franquiciados en la República Mexicana, donde podrá hacer efectiva su garantía y adquirir partes, refacciones y accesorios originales.

Garantía limitada por tres años

DEWALT reparará, sin cargo, cualquier falla que surja de defectos en el material o la fabricación del producto, por hasta tres años a contar de la fecha de compra. Esta garantía no cubre fallas de las piezas causadas por su desgaste normal o abuso a la herramienta. Para mayores detalles sobre la cobertura de la garantía e información acerca de reparaciones realizadas bajo garantía, visítenos en www.dewalt.com o diríjase al centro de servicio más cercano. Esta garantía no aplica a accesorios o a daños causados por reparaciones realizadas o intentadas por terceros. Esta garantía le otorga derechos legales específicos, además de los cuales puede tener otros dependiendo del estado o la provincia en que se encuentre.

Además de la garantía, las herramientas DEWALT están cubiertas por:

1 AÑO DE SERVICIO GRATUITO

DEWALT mantendrá la herramienta y reemplazará las piezas gastadas por su uso normal, sin cobro, en cualquier momento durante un año a contar de la fecha de compra. Los artículos gastados por la clavadora, tales como la unidad de hoja y retorno del impulsador, no están cubiertas.

DOS AÑOS DE SERVICIO GRATUITO PARA LOS PAQUETES DE BATERÍAS DEWALT

DC9096, DC9091, DC9071, DC9360 y DC9280

GARANTÍA DE REEMBOLSO DE SU DINERO POR 90 DÍAS

Si no está completamente satisfecho con el desempeño de su máquina herramienta, láser o clavadora DEWALT, cualquiera sea el motivo, podrá devolverlo hasta 90 días de la fecha de compra con su recibo y obtener el reembolso completo de su dinero – sin necesidad de responder a ninguna pregunta.

AMÉRICA LATINA: Esta garantía no se aplica a los productos que se venden en América Latina. Para los productos que se venden en América Latina, debe consultar la información de la garantía específica del país que viene en el empaque, llamar a la compañía local o visitar el sitio Web a fin de obtener esa información.

REEMPLAZO GRATUITO DE LAS ETIQUETAS DE ADVERTENCIAS: Si sus etiquetas de advertencia se vuelven ilegibles o faltan, llame al 1-800-4-DEWALT para que se le reemplacen gratuitamente.



PARA REPARACIÓN Y SERVICIO DE SUS HERRAMIENTAS ELÉCTRICAS, FAVOR DE DIRIGIRSE AL CENTRO DE SERVICIO MÁS CERCANO

- CULIACAN, SIN**
Av. Nicolás Bravo #1063 Sur - Col. Industrial Bravo (667) 7 12 42 11
 - GUADALAJARA, JAL**
Av. La Paz #1779 - Col. Americana Sector Juárez (33) 3825 6978
 - MEXICO, D.F.**
Eje Central Lázaro Cárdenas No. 18
Local D, Col. Obrera (55) 5588 9377
 - MERIDA, YUC**
Calle 63 #459-A - Col. Centro (999) 928 5038
 - MONTERREY, N.L.**
Av. Francisco I. Madero No.831 - Col. Centro (81) 8375 2313
 - PUEBLA, PUE**
17 Norte #205 - Col. Centro (222) 246 3714
 - QUERETARO, QRO**
Av. Madero 139 Pte. - Col. Centro (442) 214 1660
 - SAN LUIS POTOSI, SLP**
Av. Universidad 1525 - Col. San Luis (444) 814 2383
 - TORREON, COAH**
Blvd. Independencia, 96 Pte. - Col. Centro (871) 716 5265
 - VERACRUZ, VER**
Prolongación Díaz Mirón #4280 - Col. Remes (229) 921 7016
 - VILLAHERMOSA, TAB**
Constitución 516-A - Col. Centro (993) 312 5111
- PARA OTRAS LOCALIDADES LLAME AL: (55) 5326 7100**

Español

Notificación de patente

Fabricado bajo las patentes N°

6859013	6133713
6329788	6057608
6175211	6653815

de los Estados Unidos.

Puede haber otras patentes
pendientes.

Especificaciones

DC300	36 volts	4 000 rpm
DC310	28 volts	3 800 rpm

IMPORTADO: DEWALT S.A. DE C.V.
BOSQUES DE CIDROS ACCESO RADIATAS NO. 42
COL. BOSQUES DE LAS LOMAS, 3A. SECCIÓN, CP 05120
DELEGACIÓN CUAJIMALPA, MÉXICO, D.F.
TEL. 5 326 7100
R.F.C.: BDE810626-1W7

Para servicio y ventas consulte
"HERRAMIENTAS ELECTRICAS"
en la sección amarilla.







DEWALT Battery and Charger Systems															
Systèmes de batterie et de chargeur de DEWALT • Sistemas de la batería y del cargador de DEWALT															
Battery	Output	Chargers/Charge Time													
Batterie	Production	Chargeurs/Durée de charge (Minutes)													
Batería	Producción	Cargadores de baterías/Tempo de carga (Minutos)													
Cat Number Modèle Modelo	Voltage Tension Tensión	120 Volts/Voltios											12 Volts/Voltios		
		DW9106	DW9118	DW9107	DW9108	DW9116	DW9216	DW9117	DW911	DC011	DC9000	DW0246	DW0249	DW9109	
DW0242	24	X	X	X	X	X	X	X	X	X	X	X	60	X	60
DC9096	18	X	X	X	60	60	60	20	60	60	X	X	60	X	
DW9096	18	X	X	X	60	60	60	20	60	60	X	X	60	X	
DW9098	18	X	X	X	30	30	30	12	30	30	X	X	30	X	
DW9099	18	X	X	X	45	45	45	15	45	45	X	X	45	X	
DC9091	14.4	90	115	60	60	60	60	20	60	60	X	X	60	X	
DW9091	14.4	45	90	45	45	45	45	15	45	45	X	X	45	X	
DW9094	14.4	60	60	30	30	30	30	12	30	30	X	X	30	X	
DC9071	12	90	115	60	60	60	60	20	60	60	X	X	60	X	
DW9071	12	60	90	45	45	45	45	15	45	45	X	X	45	X	
DW9072	12	45	60	30	30	30	30	12	30	30	X	X	30	X	
DW9050	12	40	X	X	X	X	X	X	X	X	X	X	X	X	
DW9061	9.6	60	90	45	45	45	45	15	45	45	X	X	45	X	
DW9062	9.6	45	60	30	30	30	30	12	30	30	X	X	30	X	
DW9048	9.6	40	X	X	X	X	X	X	X	X	X	X	X	X	
DW9057	7.2	45	60	30	30	30	30	12	30	30	X	X	30	X	
DC9360	36	X	X	X	X	X	X	X	X	X	60	X	X	X	
DC9280	28	X	X	X	X	X	X	X	X	X	60	X	X	X	

X Indicates that the battery pack is not compatible with that specific charger.
 X indique que le bloc-piles n'est pas compatible avec ce chargeur.
 Una "X" indica que el paquete de baterías no es compatible con ese determinado cargador.

All charge times are approximate. Actual charge time may vary.
Read the instruction manual for more specific information.
 Les durées de charge sont approximatives; la durée de charge réelle peut varier.
 Lire le manuel d'utilisation pour obtenir des renseignements plus précis.
 El tiempo de duración de carga es aproximado; la duración de carga real puede variar.
 Lea el manual de instrucciones para obtener información más precisa.

DEWALT Industrial Tool Co., 701 East Joppa Road, Baltimore, MD 21286 (MAY07) Form No. 645430-00 DC300, DC310
 Copyright © 2006, 2007 DEWALT

The following are trademarks for one or more DEWALT power tools: the yellow and black color scheme; the "D" shaped air intake grill; the array of pyramids on the handgrip; the kit box configuration; and the array of lozenge-shaped humps on the surface of the tool.