

**DEWALT®**

**[www.DEWALT.com](http://www.DEWALT.com)**

**DWD112**  
**DWD112S**

---

English (**original instructions**)

3

---

Français (*traduction de la notice d'instructions originale*)

8

---

**العربية:** لمتزجم عن التعلللمات الأصلفة)

14

---

Fig. A

شکل A

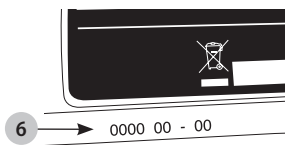
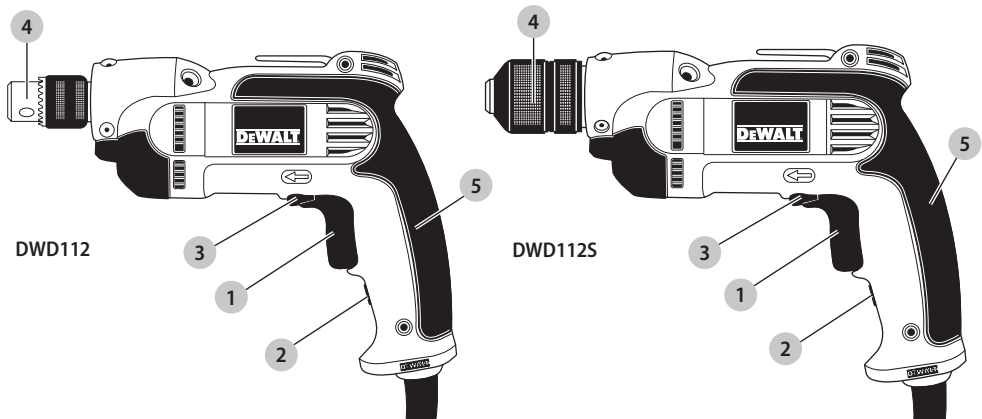


Fig. B

شکل B

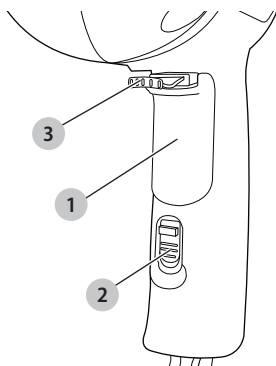


Fig. C

شکل C

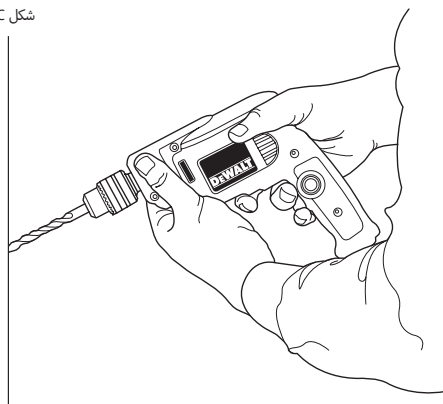


Fig. D  
شکل D

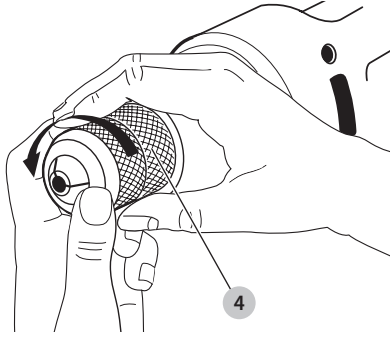


Fig. E  
شکل E

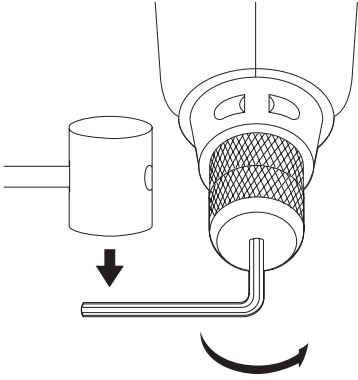


Fig. F  
شکل F

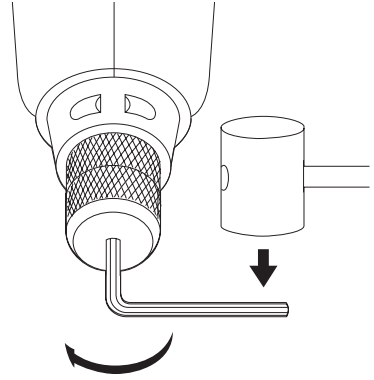


Fig. G  
شکل G

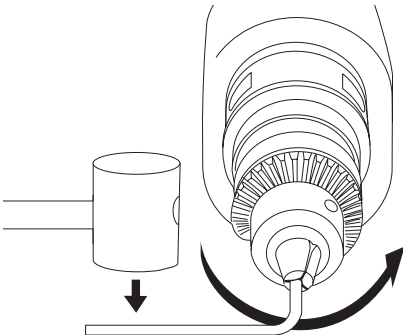
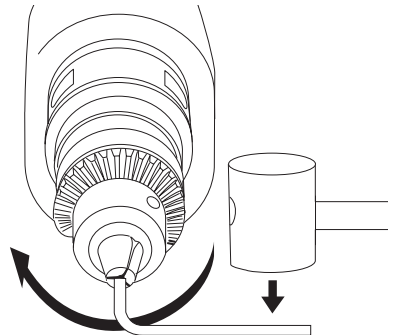


Fig. H  
شکل H



# VARIABLE SPEED REVERSIBLE DRILL

## DWD112, DWD112S

### Congratulations!

You have chosen a DeWALT tool. Years of experience, thorough product development and innovation make DeWALT one of the most reliable partners for professional power tool users.

### Technical Data

		DWD112	DWD112S
Voltage	V <sub>AC</sub>	220/240	220/240
		120	120
Type		1/3	1/3
Power output	W	701	701
No load speed	min <sup>-1</sup>	0–2500	0–2500
Maximum drilling range	mm	10/25/13	10/25/13
		steel/wood/concrete	
Torque	Nm	10.9	10.9
Chuck spindle thread size	UNF	1/2"x20	1/2"x20
Maximum chuck capacity	mm	10	10
Weight	kg	1.9	1.83



**WARNING:** To reduce the risk of injury, read the instruction manual.

### Definitions: Safety Guidelines

The definitions below describe the level of severity for each signal word. Please read the manual and pay attention to these symbols.



**DANGER:** Indicates an imminently hazardous situation which, if not avoided, **will** result in **death or serious injury**.



**WARNING:** Indicates a potentially hazardous situation which, if not avoided, **could** result in **death or serious injury**.



**CAUTION:** Indicates a potentially hazardous situation which, if not avoided, **may** result in **minor or moderate injury**.

**NOTICE:** Indicates a practice **not related to personal injury** which, if not avoided, **may** result in **property damage**.



Denotes risk of electric shock.



Denotes risk of fire.

### GENERAL POWER TOOL SAFETY WARNINGS



**WARNING:** Read all safety warnings, instructions, illustrations and specifications provided with this power tool. Failure to follow all instructions listed below may result in electric shock, fire and/or serious injury.

### SAVE ALL WARNINGS AND INSTRUCTIONS FOR FUTURE REFERENCE

The term "power tool" in the warnings refers to your mains-operated (corded) power tool or battery-operated (cordless) power tool.

#### 1) Work Area Safety

- Keep work area clean and well lit.** Cluttered or dark areas invite accidents.
- Do not operate power tools in explosive atmospheres, such as in the presence of flammable liquids, gases or dust.** Power tools create sparks which may ignite the dust or fumes.
- Keep children and bystanders away while operating a power tool.** Distractions can cause you to lose control.

#### 2) Electrical Safety

- Power tool plugs must match the outlet. Never modify the plug in any way. Do not use any adapter plugs with earthed (grounded) power tools.** Unmodified plugs and matching outlets will reduce risk of electric shock.
- Avoid body contact with earthed or grounded surfaces, such as pipes, radiators, ranges and refrigerators.** There is an increased risk of electric shock if your body is earthed or grounded.
- Do not expose power tools to rain or wet conditions.** Water entering a power tool will increase the risk of electric shock.
- Do not abuse the cord. Never use the cord for carrying, pulling or unplugging the power tool. Keep cord away from heat, oil, sharp edges or moving parts.** Damaged or entangled cords increase the risk of electric shock.
- When operating a power tool outdoors, use an extension cord suitable for outdoor use.** Use of a cord suitable for outdoor use reduces the risk of electric shock.
- If operating a power tool in a damp location is unavoidable, use a residual current device (RCD) protected supply.** Use of an RCD reduces the risk of electric shock.

#### 3) Personal Safety

- Stay alert, watch what you are doing and use common sense when operating a power tool. Do not use a power tool while you are tired or under the influence of drugs, alcohol or medication.** A moment of inattention while operating power tools may result in serious personal injury.

- b) **Use personal protective equipment. Always wear eye protection.** Protective equipment such as a dust mask, non-skid safety shoes, hard hat or hearing protection used for appropriate conditions will reduce personal injuries.
- c) **Prevent unintentional starting. Ensure the switch is in the off-position before connecting to power source and/or battery pack, picking up or carrying the tool.** Carrying power tools with your finger on the switch or energising power tools that have the switch on invites accidents.
- d) **Remove any adjusting key or wrench before turning the power tool on.** A wrench or a key left attached to a rotating part of the power tool may result in personal injury.
- e) **Do not overreach. Keep proper footing and balance at all times.** This enables better control of the power tool in unexpected situations.
- f) **Dress properly. Do not wear loose clothing or jewellery. Keep your hair and clothing away from moving parts.** Loose clothes, jewellery or long hair can be caught in moving parts.
- g) **If devices are provided for the connection of dust extraction and collection facilities, ensure these are connected and properly used.** Use of dust collection can reduce dust-related hazards.
- h) **Do not let familiarity gained from frequent use of tools allow you to become complacent and ignore tool safety principles.** A careless action can cause severe injury within a fraction of a second.

#### 4) Power Tool Use and Care

- a) **Do not force the power tool. Use the correct power tool for your application.** The correct power tool will do the job better and safer at the rate for which it was designed.
- b) **Do not use the power tool if the switch does not turn it on and off.** Any power tool that cannot be controlled with the switch is dangerous and must be repaired.
- c) **Disconnect the plug from the power source and/or remove the battery pack, if detachable, from the power tool before making any adjustments, changing accessories, or storing power tools.** Such preventive safety measures reduce the risk of starting the power tool accidentally.
- d) **Store idle power tools out of the reach of children and do not allow persons unfamiliar with the power tool or these instructions to operate the power tool.** Power tools are dangerous in the hands of untrained users.
- e) **Maintain power tools and accessories. Check for misalignment or binding of moving parts, breakage of parts and any other condition that may affect the power tool's operation. If damaged, have the power tool repaired before use.** Many accidents are caused by poorly maintained power tools.
- f) **Keep cutting tools sharp and clean.** Properly maintained cutting tools with sharp cutting edges are less likely to bind and are easier to control.

- g) **Use the power tool, accessories and tool bits etc. in accordance with these instructions, taking into account the working conditions and the work to be performed.** Use of the power tool for operations different from those intended could result in a hazardous situation.
- h) **Keep handles and grasping surfaces dry, clean and free from oil and grease.** Slippery handles and grasping surfaces do not allow for safe handling and control of the tool in unexpected situations.

#### 5) Service

- a) **Have your power tool serviced by a qualified repair person using only identical replacement parts.** This will ensure that the safety of the power tool is maintained.

#### Additional Specific Safety Rules for Drills

- **Wear ear protectors.** Exposure to noise can cause hearing loss.
- **Use auxiliary handles supplied with the tool.** Loss of control can cause personal injury.
- **Hold the power tool by insulated gripping surfaces when performing an operation where the cutting tool may contact hidden wiring or its own cord.** Cutting accessory contacting a "live" wire may make exposed metal parts of the power tool "live" could give the operator an electric shock.
- **Use clamps or other practical way to secure and support the workpiece to a stable platform.** Holding the work by hand or against your body is unstable and may lead to loss of control.
- **Wear safety goggles or other eye protection.** Drilling operations cause chips to fly. Flying particles can cause permanent eye damage.
- **Bits and tools get hot during operation.** Wear gloves when touching them.
- **Keep handles dry, clean, free from oil and grease. it is recommended to use rubber gloves.** This will enable better control of the tool.



**WARNING:** We recommend the use of a residual current device with a residual current rating of 30mA or less.

#### Residual Risks

The following risks are inherent to the use of drills:

- Injuries caused by touching the rotating parts or hot parts of the tool.

In spite of the application of the relevant safety regulations and the implementation of safety devices, certain residual risks cannot be avoided. These are:

- Impairment of hearing.
- Risk of squeezing fingers when changing accessories.
- Health hazards caused by breathing dust developed when working in wood.
- Risk of personal injury due to flying particles.
- Risk of personal injury due to prolonged use.

## Electrical Safety

The electric motor has been designed for one voltage only. Always check that the power supply corresponds to the voltage on the rating plate.



Your DEWALT tool is double insulated in accordance with EN62841; therefore no earth wire is required.



**WARNING:** 127V units have to be operated via a fail-safe isolating transformer with an earth screen between the primary and secondary winding.

If the supply cord is damaged, it must be replaced by a specially prepared cord available through the DEWALT service organisation.

## Mains Plug Replacement (Middle East and Africa)

If a new mains plug needs to be fitted:

- Safely dispose of the old plug.
- Connect the brown lead to the live terminal in the plug.
- Connect the blue lead to the neutral terminal.



**WARNING:** No connection is to be made to the earth terminal.

Follow the fitting instructions supplied with good quality plugs. Recommended fuse: 13 A.

## Using an Extension Cable

If an extension cable is required, use an approved 3-core extension cable suitable for the power input of this tool (see **Technical Data**). The minimum conductor size is 1.5 mm<sup>2</sup>; the maximum length is 30 m.

When using a cable reel, always unwind the cable completely.

## Package Contents

The package contains:

- 1 Drill
- 1 Chuck key (DWD112)
- 1 Instruction manual
- Check for damage to the tool, parts or accessories which may have occurred during transport.
- Take the time to thoroughly read and understand this manual prior to operation.

## Markings on Tool

The following pictograms are shown on the tool:



Read instruction manual before use.

## Date Code Position (Fig. A)

The date code **6**, which also includes the year of manufacture, is printed into the housing.

Example:

2021 XX XX

Year and Week of Manufacture

## Description (Fig. A)



**WARNING:** Never modify the power tool or any part of it. Damage or personal injury could result.

- 1 Variable speed trigger switch
- 2 Lock-on button (DWD112, DWD112S)
- 3 Forward/reverse button
- 4 Chuck
- 5 Main handle

## Intended Use

These heavy-duty V.S.R. drills are designed for professional drilling.

**DO NOT** use under wet conditions or in the presence of flammable liquids or gases.

These heavy-duty drills are professional power tools.

**DO NOT** let children come into contact with the tool. Supervision is required when inexperienced operators use this tool.

- **Young children and the infirm.** This appliance is not intended for use by young children or infirm persons without supervision.
- This product is not intended for use by persons (including children) suffering from diminished physical, sensory or mental abilities; lack of experience, knowledge or skills unless they are supervised by a person responsible for their safety. Children should never be left alone with this product.

## OPERATION

### Instructions for Use



**WARNING:** Always observe the safety instructions and applicable regulations.



**WARNING:** To reduce the risk of serious personal injury, turn tool off and disconnect tool from power source before making any adjustments or removing/installing attachments or accessories. An accidental start-up can cause injury.

### Proper Hand Position (Fig. A, C)



**WARNING:** To reduce the risk of serious personal injury, ALWAYS use proper hand position as shown.



**WARNING:** To reduce the risk of serious personal injury, ALWAYS hold securely in anticipation of a sudden reaction.

Proper hand position requires one hand on the main handle **5** and the other hand under the housing.

### Trigger Switch (Fig. B)

To start the drill, depress the trigger switch; to stop the drill, release the trigger switch.

**NOTE:** Use lower speeds for starting holes without a center punch, drilling in metal or plastics, driving screws or drilling ceramics. Higher speeds are better for drilling wood and composition boards and using abrasive and polishing accessories.

## Variable Speed

A variable speed trigger switch ❶ permits speed control—the farther the trigger is depressed, the higher the speed of the drill. For continuous operation, press and hold the variable speed switch, move the lock-on button ❷ up, then release the switch. To stop continuous operation, press the switch briefly and release it. Always switch the tool off when work is finished and before unplugging.

## Forward/Reverse Lever (Fig. B)

The forward/reverse lever ❸ is used for withdrawing bits from tight holes and removing screws. It is located above the trigger switch.

To reverse the motor, release the trigger switch FIRST and then push the lever to the right (viewed when holding the drill in the operating position).

After any reversing operations, return lever to forward position.

## Drilling



**WARNING: To reduce the risk of personal injury, ALWAYS ensure workpiece is anchored or clamped firmly. If drilling thin material, use a wood "back-up" block to prevent damage to the material.**

1. Use sharp drill bits only. For WOOD, use twist drill bits, spade bits, power auger bits, or hole saws. For METAL, use steel twist drill bits or hole saws.
2. Always apply pressure in a straight line with the bit. Use enough pressure to keep drill biting, but do not push hard enough to stall the motor or deflect the bit.
3. Hold tool firmly with both hands to control the twisting action of the drill.
4. **IF DRILL STALLS**, it is usually because it is being overloaded or improperly used. **RELEASE TRIGGER IMMEDIATELY**, remove drill bit from work, and determine cause of stalling. **DO NOT CLICK TRIGGER ON AND OFF IN AN ATTEMPT TO START A STALLED DRILL. THIS CAN DAMAGE THE DRILL.**
5. To minimize stalling or breaking through the material, reduce pressure on drill and ease the bit through the last fractional part of the hole.
6. Keep the motor running when pulling the bit back out of a drilled hole. This will help prevent jamming.
7. With variable speed drills there is no need to center punch the point to be drilled. Use a slow speed to start the hole and accelerate by squeezing the trigger harder when the hole is deep enough to drill without the bit skipping out.

## Drilling in Metal

Start drilling with slow speed and increase to full power while applying firm pressure on the tool. A smooth even flow of metal chips indicates the proper drilling rate. Use a cutting lubricant when drilling metals. The exceptions are cast iron and brass which should be drilled dry.

**NOTE:** Large 8 mm to 13 mm holes in steel can be made easier if a pilot hole 4 mm to 5 mm is drilled first.

## Drilling in Wood

Start drilling with slow speed and increase to full power while applying firm pressure on the tool. Holes in wood can be made with the same twist drills used for metal. These bits may overheat unless pulled out frequently to clear chips from the flutes. Work that is apt to splinter should be backed up with a block of wood.

## Keyless Chuck (Fig. D–F)

### DWD112S

The DWD112S features a keyless chuck ❹ for greater convenience. To insert a drill bit or other accessory, follow the steps listed below.

1. Grasp the rear half of the chuck with one hand and use your other hand to rotate the front half counterclockwise, as shown in Figure D. Rotate far enough so that the chuck opens sufficiently to accept the desired accessory.
2. Insert the bit or other accessory about 19 mm into the chuck and tighten securely by holding the rear half of the chuck and rotating the front portion in the clockwise direction. When the chuck is nearly tightened, you will hear a clicking sound. After 4–6 clicks, the chuck is securely tightened around the accessory.
3. To release the accessory, repeat step 1 listed above.



**WARNING: Do not attempt to tighten drill bits (or any other accessory) by gripping the front part of the chuck and turning the tool on. Damage to the chuck and personal injury may result.**

## Keyless Chuck Removal (Fig. E)

Tighten the chuck around the shorter end of a hex key (not supplied) of 6 mm or greater size. Using a soft hammer or piece of wood, strike the longer end in the counterclockwise direction. This will loosen the chuck so that it can be unscrewed by hand.

## Keyless Chuck Installation (Fig. F)

Screw the chuck on by hand as far as it will go. Tighten the chuck around the shorter end of a 6 mm or larger hex key (not supplied) strike the longer end in the clockwise direction with a soft hammer.

## Keyed Chuck (Fig. G, H)

### DWD112

The DWD112 features a keyed chuck ❹. To insert a drill bit or other accessory, follow the steps listed below.

1. Open the chuck jaws by turning collar by hand and insert the shank of the bit about 19 mm into chuck. Tighten the chuck collar by hand.
2. Place chuck key in each of the three holes, and tighten in clockwise direction. It's important to tighten chuck with all three holes.

To release the bit, turn the chuck counterclockwise in just one hole, then loosen the chuck by hand.

## Removal of Keyed Chuck (Fig. G)

Tighten the chuck around the shorter end of a hex key (not supplied) of 6 mm or greater size. Using a soft hammer, strike the key sharply in the counterclockwise direction when viewed



from the front of the tool. This will loosen the chuck so that it can be removed by hand.

### Keyed Chuck Installation (Fig.H)

Screw the chuck on by hand as far as it will go. Insert the shorter end of a hex key (not supplied) of 6 mm or greater size and strike it in the clockwise direction with a soft hammer.

## MAINTENANCE

Your power tool has been designed to operate over a long period of time with a minimum of maintenance. Continuous satisfactory operation depends upon proper tool care and regular cleaning.



**WARNING:** To reduce the risk of serious personal injury, turn tool off and disconnect tool from power source before making any adjustments or removing/installing attachments or accessories. An accidental start-up can cause injury.

## Motor Brushes

DEWALT uses an advanced brush system which automatically stops the drill when the brushes wear out. This prevents serious damage to the motor. Brushes must be replaced by an authorised DEWALT repair agent with identical replacement parts.



## Lubrication

Your power tool requires no additional lubrication.



## Cleaning



**WARNING:** Blow dirt and dust out of the main housing with dry air as often as dirt is seen collecting in and around the air vents. Wear approved eye protection and approved dust mask when performing this procedure.



**WARNING:** Never use solvents or other harsh chemicals for cleaning the non-metallic parts of the tool. These chemicals may weaken the materials used in these parts. Use a cloth dampened only with water and mild soap. Never let any liquid get inside the tool; never immerse any part of the tool into a liquid.

## Optional Accessories



**WARNING:** Since accessories, other than those offered by DEWALT, have not been tested with this product, use of such accessories with this tool could be hazardous. To reduce the risk of injury, only DEWALT recommended accessories should be used with this product.

Consult your dealer for further information on the appropriate accessories.

## Protecting the Environment



Separate collection. Products marked with this symbol must not be disposed of with normal household waste.

Products contain materials that can be recovered



or recycled reducing the demand for raw materials.

Please recycle electrical products according to local provisions.

Further information is available at [www.2helpU.com](http://www.2helpU.com).

# PERCEUSE RÉVERSIBLE À VITESSE VARIABLE

## DWD112, DWD112S

### Félicitations !

Vous avez choisi un outil DeWALT. Des années d'expérience, de développement de produits et d'innovation ont fait de DeWALT l'un des partenaires les plus fiables pour les utilisateurs d'outils électriques professionnels.

### Caractéristiques techniques

		DWD112	DWD112S	
Voltage	V <sub>AC</sub>	220/240	220/240	
		120	120	
Type		1/3	1/3	
Puissance absorbée	W	701	701	
Vitesse à vide	min <sup>-1</sup>	0–2500	0–2500	
Capacité maximale pour percer	l'acier/le bois/le béton	mm	10/25/13	10/25/13
Couple	Nm	10,9	10,9	
Chuck spindle thread size	UNF	1/2"x20	1/2"x20	
Capacité maximale de mandrin	mm	10	10	
Poids	kg	1,9	1,83	



**AVERTISSEMENT :** afin de réduire le risque de blessure, lisez le manuel d'instruction.

### Définitions : consignes de sécurité

Les définitions ci-dessous décrivent le niveau de gravité de chaque mot signalétique. Lisez le manuel de l'utilisateur et soyez attentif à ces symboles.



**DANGER :** indique une situation dangereuse imminente qui, si elle n'est pas évitée, entraînera des **blessures graves ou mortelles**.



**AVERTISSEMENT :** indique une situation dangereuse potentielle qui, si elle n'est pas évitée, pourrait entraîner des **blessures graves ou mortelles**.



**ATTENTION :** indique une situation dangereuse potentielle qui, si elle n'est pas évitée, pourrait entraîner des **blessures minimales** ou modérées.

**AVIS :** indique une pratique ne posant aucun risque de **dommages corporels**, mais qui par contre, si rien n'est fait pour l'éviter, pourrait poser des **risques de dommages matériels**.



Indique un risque d'électrocution.



Indique un risque d'incendie.

### CONSIGNES DE SÉCURITÉ GÉNÉRALES PROPRES AUX OUTILS ÉLECTRIQUES



**AVERTISSEMENT :** veuillez lire tous les avertissements de sécurité, toutes les instructions, illustrations et spécifications fournies avec cet outil électrique. Le non respect des instructions listées ci-dessous peut conduire à des chocs électriques, des incendies et/ou de graves blessures.

### CONSERVER TOUTES CES DIRECTIVES ET CONSIGNES À TITRE DE RÉFÉRENCE

Le terme « outil électrique » mentionné dans les avertissements ci-après se rapporte aux outils alimentés sur secteur (avec fil) ou par piles (sans fil).

#### 1) Sécurité – Aire de Travail

- Maintenir l'aire de travail propre et bien éclairée.** Les lieux sombres ou encombrés sont propices aux accidents.
- Ne pas utiliser un outil électrique dans un milieu flagrant, comme en présence de liquides, gaz ou poussières inflammables.** Les outils électriques peuvent produire des étincelles qui pourraient enflammer toute émanation ou poussière ambiante.
- Maintenir à l'écart les enfants, ou toute autre personne, lors de l'utilisation d'un outil électrique.** Toute distraction pourrait faire perdre la maîtrise de l'appareil.

#### 2) Sécurité – Électricité

- La fiche électrique de l'outil doit correspondre à la prise murale. Ne modifier la fiche en aucune façon. Ne pas utiliser de fiche d'adaptation avec un outil électrique mis à la terre (masse).** L'utilisation de fiches d'origine et de prises appropriées réduira tout risque de décharges électriques.
- Éviter tout contact corporel avec des éléments mis à la terre comme : tuyaux, radiateurs, cuisinières ou réfrigérateurs.** Les risques de décharges électriques augmentent lorsque le corps est mis à la terre.
- Ne pas exposer les outils électriques à la pluie ou à l'humidité.** Tout contact d'un outil électrique avec un liquide augmente les risques de décharges électriques.
- Ne pas utiliser le cordon de façon abusive. Ne jamais utiliser le cordon pour transporter, tirer ou débrancher un outil électrique. Protéger le cordon de toute source de chaleur, de l'huile, et de tout bord tranchant ou pièce mobile.** Les cordons endommagés ou emmêlés augmentent les risques de décharges électriques.
- En cas d'utilisation d'un outil électrique à l'extérieur, utiliser systématiquement une rallonge conçue à cet effet.** Cela diminuera tout risque de décharges électriques.
- Si on ne peut éviter d'utiliser un outil électrique en milieu humide, utiliser un circuit protégé par un**

**dispositif de courant résiduel (RCD).** Cela réduira tout risque de décharges électriques.

### 3) Sécurité Individuelle

- a) **Rester systématiquement vigilant et faire preuve de jugement lorsqu'on utilise un outil électrique. Ne pas utiliser d'outil électrique en cas de fatigue ou sous l'influence de drogues, d'alcool ou de médicaments.**

Tout moment d'inattention pendant l'utilisation d'un outil électrique comporte des risques de dommages corporels graves.

- b) **Porter un équipement de protection individuel. Porter systématiquement un dispositif de protection oculaire.** Le fait de porter un masque anti-poussières, des chaussures antidérapantes, un casque de sécurité ou un dispositif de protection auditive, lorsque la situation le requiert, réduira les risques de dommages corporels.
- c) **Prévenir tout démarrage accidentel. S'assurer que l'interrupteur est en position d'arrêt avant de brancher l'outil sur le secteur et/ou à la batterie, ou de le ramasser ou le transporter.** Transporter un outil le doigt sur l'interrupteur ou brancher un outil électrique alors que l'interrupteur est en position de marche invite les accidents.
- d) **Retirer toute clé de réglage avant de démarrer l'outil.** Une clé laissée sur une pièce rotative d'un outil électrique comporte des risques de dommages corporels.
- e) **Adopter une position stable. Maintenir les pieds bien ancrés au sol et conserver son équilibre en permanence.** Cela permettra de mieux maîtriser l'outil électrique en cas de situations imprévues.
- f) **Porter des vêtements appropriés. Ne porter aucun vêtement ample ou bijou. Maintenir cheveux, vêtements et gants à l'écart des pièces mobiles, car ils pourraient s'y faire prendre.**
- g) **Lorsqu'un dispositif de connexion à un système de dépoussiérage ou d'élimination est fourni, s'assurer qu'il est branché et utilisé correctement.** L'utilisation de ces dispositifs peut réduire les risques engendrés par les poussières.
- h) **Ne pensez pas être à ce point familiarisé avec l'outil après l'avoir utilisé à de nombreuses reprises, au point de ne plus rester vigilant et d'en oublier les consignes de sécurité.** Toute action imprudente peut engendrer de graves blessures en une fraction de seconde.

### 4) Utilisation et Entretien des Outils Électriques

- a) **Ne pas forcer un outil électrique. Utiliser l'outil approprié au travail en cours.** L'outil approprié effectuera un meilleur travail, de façon plus sûre et à la vitesse pour laquelle il a été conçu.
- b) **Ne pas utiliser un outil électrique dont l'interrupteur est défectueux.** Tout appareil dont l'interrupteur est défectueux est dangereux et doit être réparé.
- c) **Débranchez la prise du secteur et/ou retirez le bloc-batterie, s'il est amovible, de l'outil électrique avant d'effectuer tout réglage, de changer un**

**accessoire ou de ranger l'outil électrique.** Ces mesures de sécurité préventives réduisent le risque de démarrage accidentel de l'outil électrique.

- d) **Après utilisation, ranger les outils électriques hors de portée des enfants et ne permettre à aucune personne non familière avec son fonctionnement (ou sa notice d'instructions) de l'utiliser.** Les outils peuvent être dangereux entre des mains inexpérimentées.
- e) **Entretenir les outils électriques. Vérifier les pièces mobiles pour s'assurer qu'elles sont bien alignées et tournent librement, qu'elles sont en bon état et ne sont affectées d'aucune condition susceptible de nuire au bon fonctionnement de l'outil. En cas de dommage, faire réparer l'outil électrique avant toute nouvelle utilisation.** De nombreux accidents sont causés par des outils mal entretenus.
- f) **Maintenir tout organe de coupe propre et bien affûté.** Les outils de coupe bien entretenus et affûtés sont moins susceptibles de se coincer et sont plus faciles à contrôler.
- g) **Utiliser un outil électrique, ses accessoires, mèches, etc., conformément aux présentes directives et suivant la manière prévue pour ce type particulier d'outil électrique, en tenant compte des conditions de travail et de la tâche à effectuer.** L'utilisation d'un outil électrique à des fins autres que celles prévues est potentiellement dangereuse.
- h) **Maintenez toutes les poignées et surfaces de préhension sèches, propres et exemptes d'huile et de graisse.** Des poignées et des surfaces de préhension glissantes ne permettent pas de manipuler et de contrôler l'outil correctement en cas de situations inattendues.

### 5) Réparation

- a) **Faire entretenir les outils électriques par un réparateur qualifié en n'utilisant que des pièces de rechange identiques.** Cela permettra de préserver l'intégrité de l'outil électrique et la sécurité de l'utilisateur.

### Règles de sécurité particulières additionnelles propres aux perceuses

- **Porter un dispositif de protection auditive.** Le bruit en résultant pourrait occasionner une perte de l'acuité auditive.
- **Utiliser les poignées auxiliaires fournies avec l'outil.** Une perte de contrôle de l'outil pourrait occasionner des dommages corporels.
- **Tenir l'outil par les surfaces isolées prévues à cet effet pendant toute utilisation où l'organe de coupe pourrait entrer en contact avec des fils électriques cachés ou son propre cordon.** Tout contact de l'organe de coupe avec un fil sous tension met les parties métalliques exposées de l'outil sous tension et électrocute l'utilisateur.
- **Utiliser des serre-joints, ou tout autre moyen, pour fixer et immobiliser le matériau sur une surface stable.** Tenir la pièce à la main ou contre son corps offre une stabilité insuffisante qui pourrait vous en faire perdre le contrôle.

- **Porter des lunettes de sécurité ou une autre protection oculaire.** L'emploi de la perceuse peut faire sauter les copeaux de bois. Les particules dans l'air peuvent causer des dommages oculaires permanents.
- **Les mèches et les outils se réchauffent pendant l'emploi.** Porter des gants au moment de rentrer en contact avec ceux-ci.
- **Maintenir les poignées propres et sèches, exempts d'huile ou de graisse. Il est recommandé d'utiliser des gants en caoutchouc.** Cela offrira une prise plus solide.



**AVERTISSEMENT :** nous recommandons l'utilisation d'un disjoncteur différentiel avec un seuil de déclenchement de 30mA ou moins.

## Risques résiduels

Les risques suivants sont inhérents à l'utilisation des perceuses :

- *Dommages corporels par contact avec les pièces rotatives ou des parties brûlantes de l'outil.*

En dépit de l'application des normes de sécurité en vigueur et de l'installation de dispositifs de sécurité, certains risques résiduels sont inévitables. Ce sont :

- *Diminution de l'acuité auditive.*
- *Risques de se pincer les doigts lors du changement d'accessoires.*
- *Risques pour la santé causés par la respiration de poussières dégagées lors du travail du bois.*
- *Risques de dommages corporels dus à des projections de particules.*
- *Risques de dommages corporels dus à un usage prolongé.*

## Sécurité électrique

Le moteur électrique a été conçu pour fonctionner sur une tension unique. Vérifier systématiquement que la tension du secteur correspond bien à la tension indiquée sur la plaque signalétique.



Votre outil DeWALT dispose d'une double isolation, conformément à la norme EN62841. Il ne nécessite donc aucune liaison à la terre.



**AVERTISSEMENT :** les appareils à 127 V doivent être utilisés avec des transformateurs d'isolation à l'épreuve des pannes doté d'un écran de terre entre l'enroulement primaire et secondaire.

Si le cordon fourni est endommagé, le remplacer par un cordon spécialement conçu à cet effet, et disponible auprès du service après-vente DEWALT.

## Remplacement de la fiche d'alimentation (Moyen-Orient et Afrique)

Si une nouvelle fiche d'alimentation doit être montée :

- *Mettre soigneusement au rebut l'ancienne fiche.*
- *Raccorder le fil marron à la borne de phase dans la fiche.*
- *Raccorder le fil bleu à la borne de neutre.*



**AVERTISSEMENT :** aucun branchement ne doit être fait à la borne de terre.

Suivez les instructions de montage fournies avec des fiches de bonne qualité. Fusible recommandé : 13 A.

## Utilisation d'une rallonge

Si une rallonge s'avère nécessaire, utiliser une rallonge à trois fils homologuée et compatible avec la tension nominale de cet outil (consulter la **Fiche techniques**). La section minimale du conducteur est de 1,5 mm<sup>2</sup> pour une longueur maximale de 30 m.

En cas d'utilisation d'un dévidoir, dérouler systématiquement le câble sur toute sa longueur.

## Contenu de l'emballage

Ce carton comprend :

- 1 Perceuse
  - 1 Clé de mandrin (DWD112)
  - 1 Notice d'instructions
- *Vérifier que l'appareil et ses pièces ou accessoires n'ont pas été endommagés lors du transport.*
  - *Prendre le temps de lire attentivement et comprendre cette notice d'instructions avant toute utilisation de l'appareil.*

## Étiquettes sur l'appareil

On trouve les diagrammes suivants sur l'outil :



Lire la notice d'instructions avant toute utilisation.

## Emplacement du code date (Fig. A)

Le code date **6**, qui inclut également l'année de fabrication, est imprimé sur le corps de l'outil.

Exemple :

2021 XX XX  
Année de fabrication

## Description (Fig. A)



**AVERTISSEMENT :** ne jamais modifier l'outil électrique ni aucun de ses composants. Il y a des risques de dommages corporels ou matériels.

- 1 Interrupteur à vitesse variable
- 2 Bouton de verrouillage (DWD112, DWD112S)
- 3 Glissière de marche avant/arrière
- 4 Mandrin
- 5 Poignée principale

## Utilisation Prévue

Ces perceuses V.S.R. industrielles ont été conçues pour des applications de perçage professionnel.

**NE PAS** les utiliser en milieu humide ou en présence de gaz ou de liquides inflammables.

Ces perceuses industrielles sont des outils de professionnels.

**NE PAS** les laisser à la portée des enfants. Une supervision est nécessaire auprès de tout utilisateur non expérimenté.


- Ce produit n'est pas prévu pour être utilisé par des personnes (y compris les enfants) dont les capacités

physiques, sensorielles ou mentales sont réduites ou qui manquent d'expérience ou d'aptitudes, sauf si ces personnes sont surveillées par une autre personne responsable de leur sécurité. Ne jamais laisser les enfants seuls avec ce produit.

## FONCTIONNEMENT

### Instructions pour l'utilisation


 **AVERTISSEMENT :** respectez toujours les consignes de sécurité et la réglementation applicable.

 **AVERTISSEMENT :** pour réduire tout risque de dommages corporels graves, arrêter et débrancher l'outil avant tout réglage ou avant de retirer ou installer toute pièce ou tout accessoire.

Tout démarrage accidentel pourrait causer des dommages corporels.

### Position correcte des mains (Fig. A, C)

 **AVERTISSEMENT :** pour réduire tout risque de dommages corporels graves, adopter **SYSTÉMATIQUEMENT** la position des mains illustrée.

 **AVERTISSEMENT :** pour réduire tout risque de dommages corporels graves, maintenir fermement et **SYSTÉMATIQUEMENT** l'outil pour anticiper toute réaction soudaine de sa part.

La position correcte des mains requiert une main sous le boîtier, et l'autre sur la poignée principale 5.

### Interrupteurs (Fig. B)

Pour mettre la perceuse en marche, appuyez sur la gâchette; pour l'arrêter, relâchez la gâchette.

**REMARQUE :** Utiliser des vitesses basses pour commencer un trou sans un centre-poinçon, le perçage dans le métal ou les plastiques, le vissage de vis ou le perçage dans la céramique. Les vitesses plus élevées correspondent plutôt au perçage dans le bois et les panneaux composites et à l'emploi d'accessoires abrasifs et de polissage.

### Vitesse variable

L'interrupteur de vitesse variable 1 permet de contrôler la vitesse — si l'interrupteur est de plus en plus relâché, la vitesse de la perceuse sera de plus en plus rapide.

Pour l'opération continue, garder l'interrupteur de vitesse variable appuyé, déplacer le bouton de verrouillage 2 vers le haut et relâcher l'interrupteur.

Pour arrêter l'opération continue, appuyer sur l'interrupteur rapidement et le relâcher. Mettre l'interrupteur en position d'arrêt une fois le travail terminé et avant de débrancher l'outil.

### Glissière de marche avant/arrière (Fig. B)

L'utilisateur peut utiliser la glissière de marche avant/arrière 3 pour retirer les mèches dans les trous serrés et pour enlever les vis. Il se trouve au-dessus de la gâchette.

Pour inverser le moteur, relâcher la gâchette D'ABORD et pousser le levier à droite par la suite.

Après toute opération de marche arrière, le levier doit être replacé à la position de marche avant.

## Perçage



**AVERTISSEMENT :** pour réduire tout risque de dommages corporels, corporels, s'assurer

**SYSTÉMATIQUEMENT** que la pièce est ancrée ou arrimée solidement. Pour percer des matériaux fins, utiliser un morceau de bois « de renfort » pour éviter de les endommager.

1. Utilisez seulement des mèches bien affûtées. Pour le BOIS, utilisez : mèche hélicoïdale, foret à trois pointes, mèche torsadée ou emporte-pièce. Pour le MÉTAL, utilisez : mèche hélicoïdale en acier ou emporte-pièce.
2. Appliquez systématiquement une certaine pression sur la mèche tout en restant dans l'alignement. Utilisez assez de pression pour que la perceuse avance, mais sans pousser trop fort pour éviter de bloquer le moteur ou dévier la mèche.
3. Maintenez fermement l'outil à deux mains pour contrôler toute action de torsion de la perceuse.
4. **SI LA PERCEUSE CALE**, c'est en général parce qu'elle est surchargée. **RELÂCHEZ ALORS LA GÂCHETTE IMMÉDIATEMENT**, retirez la mèche de la pièce puis déterminez quelle est la cause du blocage. **N'APPUYEZ PAS RÉPÉTITIVEMENT SUR LA GÂCHETTE POUR TENTER DE REDÉMARRER UNE PERCEUSE BLOQUÉE. CELA POURRAIT ENDOMMAGER LA PERCEUSE.**
5. Pour minimiser tout blocage ou rupture du matériau, réduisez la pression sur la perceuse pour faciliter le passage de la mèche dans la partie finale du trou.
6. Laissez le moteur en marche alors que vous retirez la mèche du trou pour éviter qu'elle y reste coincée.
7. Les pointeaux sont inutiles lorsqu'on utilise une perceuse à vitesse variable. Utilisez une vitesse réduite pour commencer un trou, puis accélérez en appuyant plus fort sur la gâchette lorsque le trou est assez profond pour que la mèche ne ressorte pas.

### Perçage dans le métal

Commencer le perçage à basse vitesse et augmenter à la puissance maximale en plaçant une pression ferme sur l'outil. Un débit uniforme et lisse de copeaux de métal indique que le débit de perçage est convenable. Utiliser une huile de coupe et de lubrification pour le perçage dans le métal. Les seuls métaux qui doivent être percés à sec sont la fonte et le laiton.

**REMARQUE :** Les trous larges (de 8 mm à 13 mm) dans l'acier peuvent être facilités si l'on perce d'abord un trou pilote (4 mm à 5 mm).

### Perçage dans le bois

Commencer le perçage à basse vitesse et augmenter à la puissance maximale en plaçant une pression ferme sur l'outil. Il est possible de faire des trous dans le bois avec les mèches hélicoïdales pour le métal. Ces mèches risquent de surchauffer si elles ne sont pas retirées fréquemment pour enlever les copeaux des goujures. Si le travail va probablement fendre en éclats, il devrait être protégé par un bloc en bois.

## Mandrin automatique (Fig. D–F)

### DWD112S

Le mandrin automatique 4 est une caractéristique pratique du DWD112S. Pour insérer une mèche ou un autre accessoire, il faut suivre les étapes énumérées ci-dessous.

1. Attrapez d'une main la moitié arrière du mandrin et utilisez l'autre main pour tourner la moitié avant vers la gauche, tel qu'illustré dans la Figure D. Il faut le tourner de façon à ce que les mâchoires du mandrin soient assez ouvertes pour accepter l'accessoire désiré.
2. Insérez la mèche ou l'autre accessoire à environ 19 mm dans le mandrin et resserrez fermement comme il faut en attrapant la moitié arrière de la mèche et en tournant la portion avant vers la droite. Une fois que le mandrin est presque serré, vous entendrez un clic. Le mandrin est bien serré autour de l'accessoire si vous entendez 4-6 clics.
3. Pour libérer l'accessoire, répétez l'étape 1 ci-dessus.



**AVERTISSEMENT :** ne pas essayer de resserrer ou desserrer les mèches (ou tout autre accessoire) en agrippant la partie avant du mandrin tout en mettant l'outil en marche. Cela pourrait endommager le mandrin et poser des risques de dommages corporels.

### Retirer le mandrin automatique (Fig. E)

Serrer le mandrin autour du côté plus court de la clé hexagonale de 6 mm ou d'une taille supérieure (cet outil n'est pas inclus). Frapper l'extrémité plus longue dans vers la gauche avec un marteau à panne douce ou un morceau de bois. Ceci desserrera le mandrin pour le dévisser manuellement.

### Installer le mandrin automatique (Fig. F)

Installer le mandrin en le vissant manuellement le plus possible. Serrer le mandrin autour du côté plus court d'une clé hexagonale de 6 mm ou d'une taille supérieure (cet outil n'est pas inclus). Frapper l'extrémité plus longue vers la droite avec un marteau à panne douce.

## Mandrin à clé (Fig. G, H)

### DWD112

Le DWD112 a un mandrin à clé 4. Pour introduire une mèche ou tout autre accessoire, il faut suivre les étapes énumérées ci-dessous.

1. Ouvrez les mâchoires du mandrin en faisant tourner la bague manuellement puis insérez l'arbre de la mèche sur une longueur d'environ 19 mm. Resserrez le collier du mandrin manuellement.
2. Insérez la clé de mandrin dans chacun des trois trous puis serrez vers la droite. Il est important de serrer le mandrin à l'aide des trois trous.

Pour libérer la mèche, faites tourner la clé de mandrin vers la gauche dans un seul trou, puis desserrez le mandrin manuellement.

### Retirer le mandrin à clé (Fig. G)

Serrer le mandrin autour du côté plus court de la clé hexagonale de 6 mm ou d'une taille supérieure (cet outil n'est pas inclus). Avec la vue de la partie avant de l'outil, frapper la clé brusquement vers la gauche avec un marteau à panne douce. Ceci desserrera le mandrin pour le dévisser manuellement.

### Installer le mandrin à clé (Fig. H)

Visser le mandrin manuellement autant que possible. Introduire le côté plus court de la clé hexagonale de 6 mm ou d'une taille supérieure (cet outil n'est pas inclus) et la frapper vers la droite avec un marteau à panne douce.

## MAINTENANCE

Votre outil électrique a été conçu pour fonctionner longtemps avec un minimum de maintenance. Le fonctionnement continu et satisfaisant de l'outil dépendra d'une maintenance adéquate et d'un nettoyage régulier.



**AVERTISSEMENT :** pour réduire tout risque de dommages corporels graves, arrêter et débrancher l'outil avant tout réglage ou avant de retirer ou installer toute pièce ou tout accessoire.

Tout démarrage accidentel pourrait causer des dommages corporels.

## Balais de moteur

DeWALT utilise un système de brosses avancé qui arrête la perceuse automatiquement si les brosses sont trop usées. Ceci empêche des dommages sérieux du moteur. Les nouveaux assemblages de brosses sont disponibles aux centres de service autorisés de DeWALT. Utilisez systématiquement des pièces de rechange d'origine.



## Lubrification

Votre outil électrique ne requiert aucune lubrification additionnelle.



## Entretien



**AVERTISSEMENT :** éliminer poussière et saleté du boîtier principal à l'aide d'air comprimé chaque fois que les orifices d'aération semblent s'encrasser. Porter systématiquement des lunettes de protection et un masque anti-poussières homologués au cours de cette procédure.



**AVERTISSEMENT :** ne jamais utiliser de solvants ou tout autre produit chimique décapant pour nettoyer les parties non métalliques de l'outil. Ces produits chimiques pourraient en attaquer les matériaux utilisés. Utiliser un chiffon humidifié avec de l'eau et un savon doux. Protéger l'outil de tout liquide et n'immerger aucune de ses pièces dans aucun liquide.

## Accessoires en option



**AVERTISSEMENT :** Les accessoires, autres que ceux proposés par DEWALT, n'ayant pas été testés avec ce produit, leur utilisation avec cet outil pourrait être dangereuse. Afin de réduire les risques de blessure, n'utilisez que les accessoires, DEWALT recommandés avec ce produit.

Contactez votre revendeur pour obtenir plus de précisions sur les accessoires appropriés.

## Protection de l'environnement



Tri sélectif. Les produits marqués de ce symbole ne doivent pas être jetés avec les déchets ménagers.

Les produits contiennent des matières qui peuvent être récupérées et recyclées afin de réduire la demande en matières premières. Veuillez à recycler les produits électriques conformément aux prescriptions locales en vigueur. Pour obtenir plus de précisions, consultez le site [www.2helpU.com](http://www.2helpU.com).

## المثقاب القابل للعكس وذو السرعة المتغيرة

DWD112S ,DWD112

## تهانينا!

لقد اخترت أداةً من إنتاج DEWALT، إن سنوات الخبرة الطويلة والتطوير الشامل للمنتجات والابتكار عوامل تجعل DEWALT واحدة من أكثر الشركات الذين يمكنك الاعتماد عليهم فيما يتعلق باستخدام أدوات الطاقة الاحترافية.

## السمات الفنية

	DWD112	DWD112S
الجهد الكهربائي	فولت تيار متردد	220/240
النوع	1/3	1/3
دخل الطاقة	701	701
السرعة بدون حمل	دقيقة-1	2500-0
أقصى نطاق للمثقاب	الصلب/الخشب/الخرسان	10/25/13
العيور نيوتن متر	10,9	10,9
محور رأس المثقاب، بالحجم المسنن	UNF	1/2 بوصة 20 x 1/2 بوصة 20 x
قدرة رأس المثقاب القصوى	مم	10
الوزن	كجم	1,83



تحذير: لتقليل خطر حدوث الإصابات، يرجى قراءة دليل التعليمات.

## التعريفات: تعليمات الأمان

تصف التعريفات التالية مستوى أهمية كل كلمة تحذيرية. يرجى قراءة الدليل والانتباه لتلك الرموز.



**خطر:** تشير هذه الكلمة إلى وجود حالة خطر وشيكة، وإذا لم يتم تفاديها، فقد تؤدي إلى الوفاة أو الإصابة الجسيمة.



**تحذير:** تشير هذه الكلمة إلى وجود حالة خطر محتملة، وإذا لم يتم تفاديها، فقد تؤدي إلى الوفاة أو الإصابة الجسيمة.



**تنبيه:** تشير هذه الكلمة إلى وجود حالة خطر محتملة، وإذا لم يتم تفاديها، فقد تؤدي إلى حدوث إصابة بسيطة أو متوسطة.

**ملاحظة:** تشير إلى ممارسة غير متعلقة بإصابة شخصية، إذا لم يتم تفاديها، فقد تؤدي إلى ضرر الممتلكات.



تشير إلى خطر حدوث صدمة كهربائية.



تشير إلى خطر نشوب حريق.

## تحذيرات الأمان العامة للأدوات الكهربائية



**تحذير:** اقرأ جميع تحذيرات الأمان والتعليمات والإيضاحات والمواصفات الواردة مع هذه الأداة الكهربائية، إذ قد يؤدي عدم اتباع جميع الإرشادات إلى حدوث صدمة كهربائية وأو نشوب حريق وأو وقوع إصابة جسيمة.

**احتفظ بجميع التحذيرات والتعليمات من أجل الرجوع إليها في المستقبل** يشير المصطلح «أداة كهربائية» في التحذيرات إلى الأداة الكهربائية التي تعمل بالطاقة الكهربائية مزودة بسلك كهربائي، أو الأداة الكهربائية التي تعمل بالبطارية غير مزودة بسلك كهربائي.

## 1) أمان منطقة العمل

أ) احتفظ بمنطقة العمل نظيفة ومضاءة بطريقة جيدة. حيث أن المناطق المتكدسة بغير نظام أو المظلمة تؤدي إلى وقوع الحوادث.

لا تقم بتشغيل الأدوات الكهربائية في الأجواء المتفجرة، كأن يوجد بالمكان سوائل أو غازات أو غبار قابل للاشتعال. قد تؤدي الأدوات الكهربائية التي تحدث شرارات في اشتعال الأتربة أو الأبخرة.

أبق على الأطفال والشخص المشاهدين بعيداً أثناء تشغيل الأداة الكهربائية. فقد يؤدي تشتت الانتباه إلى فقدان سيطرتك.

## 2) السلامة الكهربائية

أ) يجب أن يتوافق قابس الأداة الكهربائية مع مصدر التيار الكهربائي. لا تقم مطلقاً بإجراء تعديل على القابس بأي طريقة. لا تستخدم قابس المحول مع الأدوات الكهربائية المؤرضة لتمر تأريضها، حيث ستقلل المقابس غير المعدلة ومصادر التيار الكهربائي المتطابقة من خطر حدوث صدمة كهربائية.

ب) تجنب ملامسة الجسم مع الأسطح الأرضية أو المؤرضة بالألوانب والمشعاع والموقد والثلاجات. حيث يوجد خطر متزايد من حدوث صدمة كهربائية إذا كان جسدك مؤرضاً أو ثابتاً على الأرض.

ج) لا تتعرض الأدوات الكهربائية للمطر أو البلى. إذ سيؤدي الماء الذي يدخل الأداة الكهربائية إلى زيادة خطر حدوث صدمة كهربائية.

د) لا تستخدم الكابل بطريقة خاطئة. لا تستخدم مطلقاً السلك من أجل حمل الأشياء أو سحبها أو لنزع قابس الأداة الكهربائية. أبعد السلك عن الحرارة أو الزيوت أو الحواف الحادة أو الأجزاء المتحركة. إذ تزيد الأسلاك التالفة أو المتشابكة من خطر حدوث صدمة كهربائية.

هـ) عند تشغيل الأداة الكهربائية خارج المنزل، استخدم سلك استطلاع ملائم للاستخدام في الأماكن الخارجية. حيث إن استخدام السلك الملائم للاستخدام الخارجي يقلل من خطر حدوث الصدمة الكهربائية.

و) إذا لم يكن هناك مفر من تشغيل الأداة الكهربائية في أحد الأماكن الرطبة، فاستخدم مصدر إمداد محمي بجهاز قاطع الدورة (RCD). استخدم جهاز التيار المتبقي يقلل من حدوث الصدمة الكهربائية.

## 3) السلامة الشخصية

أ) ابق حذراً وراقب ما تقوم بفعله واستعن بالحواس العامة عند تشغيل الأداة الكهربائية. لا تستخدم الأداة الكهربائية عندما تكون متعباً أو تحت تأثير المخدرات أو الكحول أو الأدوية. قد تؤدي أي لحظة من السهو أثناء تشغيل الأدوات الكهربائية إلى حدوث إصابة جسدية جسيمة.

ب) استخدم معدات الوقاية الشخصية. قم دوماً بارتداء واقي العينين. إذ أن استخدام معدات الوقاية مثل كامات الأتربة، وأحذية الأمان المانعة للانزلاق، والخوذة الصلبة، أو واقي الأذن للحالات ذات الصلة سيقبل من الإصابات الشخصية.

ج) تجنب التشغيل العرضي. تأكد من أن المفتاح في وضع إيقاف التشغيل قبل التوصيل بمصدر الطاقة، و/ أو مجموعة البطارية، أو التقاط أو حمل الأداة، حيث قد يؤدي حمل الأدوات الكهربائية أثناء وجود إصبعك على المفتاح أو إمداد الأدوات الكهربائية التي يكون مفتاحها بوضع التشغيل بالكهرباء إلى وقوع الحوادث.

د) قم بإخراج أي مفتاح ضبط أو مفتاح ربط قبل تشغيل الأداة الكهربائية. فقد يؤدي ترك مفتاح الربط أو المفتاح الجزء الدوار بالأداة الكهربائية إلى حدوث إصابة شخصية.

هـ) تجنب مد يدك بعيداً بال جهاز. حافظ على ثبات موضع قدمك والتوازن طيلة الوقت. إذ يساعدك ذلك على التحكم بشكل أفضل في الأداة الكهربائية في المواقف الفجائية.

و) ارتد الملابس المناسبة. تجنب ارتداء ملابس أو مجوهرات فضفاضة. أبعد الشعر والملابس والتقفاذات عن الأجزاء المتحركة. فقد تحترق الملابس أو المجوهرات الفضفاضة أو الشعر الطويل في الأجزاء المتحركة.



- ترتفع درجة حرارة اللقعات والأدوات أثناء التشغيل. قم بإبداء القفزات عند ملاسنتهم.
- حافظ على المقابض جافة وخالية من الزيوت والشحوم. من الموصى به استخدام القفازات المطاطية. سوق يتيح ذلك تحكّم أفضل في الأداة.
- تحذير: نوصي باستخدام جهاز قاطع الدورة مع ضبط قطع الدورة على 30 ملي أمبير أو أقل.



## المخاطر المتبقية

- المخاطر التالية تعتبر متأصلة ومرتبطة باستخدام آلات التقب:
- الإصابات الناجمة عن ملاسنة الأجزاء الدوارة أو الأجزاء الساخنة من الأداة.
  - على الرغم من تطبيق تعليمات السلامة ذات الصلة والتزود بأجهزة الأمان، فتأكد من أن المخاطر المتبقية يتعدّر تفاديها. وهذه المخاطر هي:
  - ضعف السمع.
  - خطر التعرض لعصر الأصابع عند تغيير الملحقات.
  - المخاطر الصحية الناجمة عن استنشاق الأتربة الناشئة عند العمل في الأخشاب.
  - خطر التعرض للإصابة الجسدية بسبب الجسيمات المتطايرة.
  - خطر التعرض للإصابة الشخصية بسبب الاستخدام المطول.

## السلامة الكهربائية

تم تصميم المحرك الكهربائي لتحمل جهد كهربائي واحد فقط. تأكد دوماً من أن مصدر إمداد الطاقة مطابق للجدد الكهربائي المبين على لوحة التصنيف.



تم تزويد الأداة الخاصة بك من DEWALT بعازل مزدوج طبقاً لمعيار EN62841، لذا لا حاجة للسلك الأرضي.



تحذير: يجب تشغيل الوحدات بقدرته 127 فولت من خلال محول العزل الأرض من التعطل مع شاشة التأريض بين اللفات الرئيسية وغير الرئيسية.

دعمر رخاً كلس لب ملادبت سراسا بج ي ف ،أفلات قاطلا دامرل كلس ناك اذإ DEWALT. فمردخ زكارم يدل رفوتنرو أصري صخ

## استبدال موصل التيار الرئيسي (المملكة المتحدة، وأيرلندا فقط)

إذا استدعت الضرورة تركيب قابس تيار رئيسي، فقم بالتالي:

- تخلص بأمان من القابص القديم.
- قم بتوصيل السلك البني بطرف التوصيل النشط في القابص.
- قم بتوصيل السلك الأزرق بطرف التوصيل المحايد.
- تحذير: لا يتم إجراء أي توصيل بطرف التوصيل الأرضي.



قم بتابع التعليمات الواردة مع القوابس ذات الجودة العالية. المنصهر الموصى باستخدامه: 13 أمبير.

## استخدام كابل الاستطالة

إذا كان الأمر يتطلب استخدام كابل استطالة، فاستخدم كابل استطالة بثلاث سنون ملائم لدخل طاقة هذه الأداة انظر البيانات التقنية. الحد الأدنى لحجم الموصل هو 1,5 مم<sup>2</sup> الطول الأقصى هو 30 م.

عند استخدام بكرة الكابل، قم دوماً بفك الكابل تماماً.

## محتويات العبوة

تحتوي العبوة على ما يلي:

- 1 مثقاب
- 1 رأس مثقاب بمفتاح DWD112
- 1 دليل التعليمات
- افحص بحثاً عن أي تلف لعق بالأداة أو الأجزاء أو الملحقات يمكن أن يكون قد حدث أثناء النقل.
- استغرق الوقت اللازم لقراءة هذا الدليل وفهمه جيداً قبل التشغيل.

د) في حال توفير الأجهزة للتوصيل بوسائل استخلاص وتجميع الأتربة، فتأكد من توصيلها واستخدامها بطريقة صحيحة. حيث أن تجميع الأتربة قد يؤدي إلى تقليل المخاطر المتعلقة بالأتربة.

ح) لا تدع الخبزة المكتسبة من الاستخدام المتكرر للأدوات تدفعك إلى اللامبالاة وتجاهل مبادئ سلامة الأداة. فقد ينسب أي إجراء غير حذر إلى وقوع إصابات خطيرة في جزء من الثانية.

## 4) استخدام الأداة الكهربائية والعناية بها

أ) لا تعامل بالوقه مع الأداة الكهربائية. استخدم الأداة الكهربائية الملائمة لفرض الاستخدام الخاص بك، حيث ستحجز الأداة الكهربائية الملائمة المهمة بشكل أفضل وأكثر أماناً عند المعدل الذي صممت من أجله.

ب) لا تستخدم الأداة الكهربائية إذا كان المفتاح لا يقوم بالتشغيل وإيقاف التشغيل، حيث تشكل أي أداة كهربائية لا يمكن التحكم فيها بواسطة المفتاح خطورة ويجب إصلاحها.

ج) قم بفصل القابص من مصدر الطاقة و/أو مجموعة البطارية، إذا كانت قابلة للفصل، من الأداة الكهربائية قبل إجراء أي عمليات ضبط أو تغيير ملحقات أو تخزين الأدوات الكهربائية. تقلل إجراءات السلامة الوقائية هذه من خطر تشغيل الأداة الكهربائية بشكل فجائي.

د) قم بتخزين الأدوات الكهربائية المتوقفة عن العمل بعيداً عن متناول الأطفال ولا تدع الأشخاص غير الملمين بالأداة الكهربائية أو بهذه التعليمات يقومون بتشغيل الأداة الكهربائية. إذ تعد الأدوات الكهربائية مصدر خطورة في أيدي المستخدمين غير المدربين على استخدامها.

هـ) حافظ على الأدوات الكهربائية والملحقات. افحص للتجري عن أي محاذة غير صحيحة أو تقييد للأجزاء المتحركة، أو كسر بالأجزاء وأي حالات أخرى قد تؤثر على تشغيل الأداة الكهربائية. وفي حال وجود تلف، قم بإصلاح الأداة الكهربائية قبل الاستخدام. حيث يرجع سبب وقوع العديد من الحوادث إلى الصيانة السيئة للأدوات الكهربائية.

و) حافظ على أدوات القطع في حالة حادة ونظيفة. حيث أن أدوات القطع التي تتم صيانتها بطريقة صحيحة ومزودة بحواف قطع حادة تتعرض بشكل أقل للالتصاق ويسهل التحكم بها على نحو أكبر.

ز) استخدم الأداة الكهربائية والملحقات ولقمر الأداة وما شابه ذلك وفقاً لهذه التعليمات مع الأخذ في الاعتبار ظروف التشغيل والعمل المراد تنفيذه. إذ أن استخدام الأداة الكهربائية لعمليات مختلفة عن تلك العمليات المخصصة لها قد يؤدي إلى حالة خطورة.

ح) حافظ على جفاف المقابض والمفاتيح ونظافتها وخلوها من الزيت والشحوم. فالمقابض الزلقة والأسطح المتلصقة لا تتيح الحصول على تعامل آمن وتحكم كامل في الأداة في المواقف الفجائية.

## 5) استخدام أداة البطارية والعناية بها الخدمة

أ) قم بصيانة الأداة الكهربائية الخاصة بك على يد فني إصلاح مؤهل وذلك من خلال استخدام أجزاء بديلة متطابقة فقط. حيث سيضمن ذلك الحفاظ على أمان الأداة الكهربائية.

## قواعد الأمان الإضافية الخاصة بآلات الثقب

- ارتدي واقيات للذّن. التعرض للضوضاء قد يؤدي إلى فقدان السمع.
- استخدم المقابض الواردة مع الأداة. فقدان التحكم قد يؤدي إلى حدوث إصابة شخصية.
- قم بإمسك الأداة الكهربائية بواسطة أسطح الإمساك المعزولة عند تنفيذ العملية حيث قد يتلامس ملحق القطع مع الأسلاك الخفية أو السلك الخاص بها. ملحق القطع المتلامس مع السلك «النشط» قد يؤدي إلى «تشيط» الأجزاء المعدنية المكشوفة من الأداة الكهربائية وتعرض المشغل للصعق.
- استخدم المشابك أو أي وسيلة عملية أخرى لتثبيت ودعم قطعة العمل على منصة ثابتة. الإمساك بقطعة العمل بواسطة اليد أو على الجسد يجعلها غير ثابتة وبالتالي قد يؤدي ذلك إلى فقدان التحكم.
- ارتد النظارات الواقية أو واقيات العينين الأخرى. تؤدي عمليات الثقب إلى تطاير الرقائق. وقد قد تؤدي الجسيمات المتطايرة إلى حدوث تلف دائم بالعين.

للتشغيل المتواصل، اضغط باستمرار على مفتاح السرعة المتغيرة، وحرك زر تشغيل القفل 2 لأعلى وحرر المفتاح.  
لإيقاف التشغيل المستمر، اضغط على المفتاح لفترة وجيزة ثم حرره. قم دوماً بإيقاف تشغيل الأداة عند الانتهاء من العمل وقبل فصل القابس.

## زر للأمام/ للخلف (الشكل B)

يتم استخدام ذراع التشغيل للأمام/ للخلف 3 لسحب اللقمات من الفتحات الضيقة وإزالة البرقي. يوجد فوق مفتاح التشغيل. لعكس المحرك، حرر مفتاح المشغل أولاً، ثم ادفع الذراع إلى اليمين. بعد أي عمليات رجوع، قم بإعادة الذراع إلى الوضع الأمامي.

## الحفر



**تحذير: لحد من خطر الإصابة الشخصية، تأكد دائماً من تثبيت قطعة العمل أو الإمساك بها بإحكام.** إذا كانت عملية الثقب تتم في مادة رقيقة، فاستخدم كتلة خشبية «داعمة» لمنع تلف المادة.

1. استخدم لقم الثقب الحادة فقط. بالنسبة إلى الأخشاب، استخدم اللقمات الملتوية أو لقمات الجراف أو لقمات الريمه الكهربية أو مناشير الثقب. بالنسبة إلى المعادن، استخدم لقمات الثقب الملتوية الصلبة أو مناشير الثقب.
2. قم دائماً بالضغط في شكل خط مستقيم على اللقمة. قم بالضغط بشكل كافي للحفاظ على لقمة الثقب في موضعها، لكن لا تقم بالضغط بقوة تكفي لإيقاف المحرك أو انحراف القطعة.
3. قم بإمسك الأداة بثبات بكتنا يدك للتحكم في فعل الاتواء لعملية الثقب.
4. **في حالة توقف الثقب،** فإن هذا يرجع غالباً إلى الحمل الزائد أو الاستخدام غير السليم. **حرر المشغل على الفور،** وقر بإزالة مثقاب الثقب من العمل، و**حدد سبب التوقف.** لا تقم بإيقاف تشغيل وتشغيل المشغل في محاولة لاستكمال عملية ثقب متوقفة - فقد يؤدي هذا إلى الإضرار بالمثقاب.
5. لتقليل حدوث التوقف المفاجئ أو احتراق المادة، قم بخفض معدل الضغط على المثقاب وتخفيف القطعة اللقمة) عبر الجزء المجزأ من الفتحة.
6. حافظ على المحرك في حالة دوران أثناء سحب القطعة اللقمة) للخارج من الفتحة التي تم ثقبها، سيساعد ذلك على منع حدوث الانحسار.
7. باستخدام آلات الثقب ذات السرعة المتغيرة، لا توجد حاجة إلى الترخيم المركزي للنقطة المراد ثقبها. استخدم السرعة المنخفضة لبدء عمل الثقب والتعجيل بإنشائه عن طريق الضغط على المشغل بقوة أكبر عندما يكون الثقب عميقاً بشكل يكفي لثقبه بدون قذف اللقمة للخارج.

## ثقب المعادن

قم ببدء عملية الثقب على سرعة منخفضة، ثم زيادتها لتصل إلى الطاقة الكاملة مع بذل ضغط ثابت على الأداة.

يشير التدفق السلس للرفاق المعدنية إلى معدل ثقب ملائم. استخدم شحمر تزيق للقطع عند إجراء عملية ثقب المعادن. يستثنى من ذلك قوالب الحديد والنحاس السببكية التي يجب ثقبها عندما تكون جافة.

**ملاحظة:** يمكن إنشاء فتحات كبيرة بحجم 8 ملم إل 13 ملم في الصلب بشكل أكثر سهولة إذا كانت الفتحة الدليلية بحجم 4 ملم إلى 5 ملم يتم ثقبها أولاً.

## ثقب الأخشاب

قم ببدء عملية الثقب على سرعة منخفضة، ثم زيادتها لتصل إلى الطاقة الكاملة مع بذل ضغط ثابت على الأداة. يمكن إنشاء ثقوب في الأخشاب بواسطة نفس آلات الثقب الملتوية المستخدمة لثقب المعادن. قد ترتفع درجة حرارة هذه اللقم بشكل مفرط إلا إذا تم سحبها للخارج بشكل متكرر للتخلص من المسافات، يجب دمر القطعة محل العمل المعرضة للانشقاق بواسطة كتلة خشبية.

## رأس مثقاب بلا مفاتيح (الأشكال D-F)

DWD112S

يشتمل DWD112S على رأس مثقاب بلا مفتاح 4 للحصول على راحة أكبر عند الاستخدام. لإدخال لقمة الثقب أو أي شيء آخر ضروري، اتبع الخطوات المحددة فيما يلي.

## العلامات على الأداة

الصور التالية موضحة على الأداة:



اقرأ دليل التعليمات قبل الاستخدام.

## وضع كود التاريخ (الشكل A)

كود التاريخ 6 الذي يتضمن كذلك عام التصنيع، مطبوع في الغلاف مثال:

2021 XX XX

سنة التصنيع

## الوصف (الشكل A)



**تحذير:** لا تقم مطلقاً بتعديل الأداة الكهربائية أو أي جزء منها. فقد ينجم عن ذلك التلف أو الإصابة الشخصية.

- 1 مفتاح المشغل ذو السرعة المتغيرة
- 2 زر القفل
- 3 زر للأمام/ للخلف
- 4 رأس المثقاب
- 5 المقبض الرئيسي

## الاستخدام المقصود

آلات الثقب V.S.R المخصصة للخدمة الشاقة مصممة لعمليات الثقب المهنية والاحترافية. لا تستخدمها في ظروف الليل أو في وجود سوائل أو غازات قابلة للاشتعال.

هذه المثاقب ذات المهام الثقيلة هي من الأدوات الآلية المهنية.

. لا تدع الأطفال يلعبون بالأداة. يكون الإشراف أمراً ضرورياً عند استخدام مشغل قليل الخبرة لهذه الأداة.

. هذا المنتج غير مخصص للاستخدام من قبل الأقارب بما في ذلك الأطفال) الذين يعانون من قصور في القدرات الجسدية أو الحسية أو العقلية، وقلة الخبرة أو المعرفة أو المهارات ما لم يكونوا تحت إشراف من يتحمل مسؤولية سلامتهم. لا ينبغي أن يُترك الأطفال وحدهم مع هذا المنتج.

## تعليمات الاستخدام



**تحذير:** التزم دوماً بتعليمات الأمان واللوائح المعمول بها.



**تحذير:** لتقليل خطر التعرض للإصابة الشخصية الجسيمة، قم بإيقاف تشغيل الأداة وفصل مجموعة البطارية قبل إجراء أي عمليات ضبط، أو إزالة/ تركيب الملحقات أو الإكسسوارات. قد يؤدي بدء التشغيل غير المقصود إلى حدوث إصابة.

## الوضع المناسب لليد (الشكل A, C)



**تحذير:** لخفض خطر التعرض للإصابة الجسدية البالغة، استخدم دوماً الوضع اليدوي الصحيح كما هو موضح.



**تحذير:** لخفض خطر التعرض للإصابة الجسدية البالغة، قم دوماً بالإمساك الجيد تحسباً لأي رد فعل مفاجئ.

يتطلب الوضع اليدوي الملائم وجود يد واحدة أسفل التجويف بينما توجد اليد الأخرى فوق المقبض الرئيسي 5.

## مفتاح المشغل (الشكلان B)

لبدء عملية الثقب، اضغط على مفتاح المشغل، وإيقاف عملية الثقب، حرر مفت

**ملاحظة:** استعن بسرعات منخفضة لبدء إنشاء الثقوب بدون تخريم مركزي، الثقب في المعدن أو البلاستيك، دفع البراغي أو ثقب السيراميك. تعد السرعات العالية أفضل لعملية الثقب في الأخشاب، وألواح التركيب واستخدام الملحقات الكاشطة وملحقات التلميع. اح المشغل.

## السرعة المتغيرة

مفتاح المشغل ذو السرعة المتغيرة 1 يتيح لك التحكم السريع—كلما زاد الضغط على المشغل، كلما زادت سرعة الثقب.

1. أمسك النصف الخلفي لرأس المثقاب بيد واحدة واستخدام اليد الأخرى لتدوير النصف الأمامي في عكس اتجاه عقارب الساعة، كما هو موضح في الشكل D. وقم بالتدوير بشكل كافي بحيث يفتح رأس المثقاب بالقدر الكافي لقبول الملحق المطلوب.
2. قم بإدخال اللقمة أو أي ملحق آخر بمقد 19 في رأس المثقاب وإحكام الربط عن طريق الإمساك بالنصف الخلفي لرأس المثقاب وإدارة القسم الأمامي في اتجاه حركة عقارب الساعة. وعندما يتم إحكام ربط رأس المثقاب جيداً، سوف تسمع صوت طقطقة تدل على التثبيت. بعد 4-6 أصوات طقطقة تدل على التثبيت، يكون قد تم إحكام ربط رأس المثقاب حول الملحق.
3. لتحرير الملحق، كرر الخطوة 1 المرسدة أعلاه.



تحذير: لا تحاول إحكام ربط لقمات الثقب (أو أي ملحقات أخرى) عن طريق الإمساك بالجزء الأمامي من رأس المثقاب وتشغيل الأداة. فقد يؤدي ذلك إلى تلف رأس المثقاب وقد يتجمد عنه إصابة شخصية.

### إزالة رأس المثقاب بلا مفتاح (الشكل E)

أحكام ربط رأس المثقاب حول الطرف القصير للمفتاح السداسي غير مزود بحجم 6 ملم أو بحجم أكبر. وباستخدام مطرقة مرنة أو قطعة من الخشب، قم بالطرق على الطرف الأكثر طولاً باتجاه عكس اتجاه عقارب الساعة. سيؤدي ذلك إلى تحرير رأس المثقاب وبالتالي فك البرغي يدوياً.

### تثبيت رأس المثقاب بلا مفتاح (الشكل F)

قم بتثبيت رأس المثقاب ببرغي يدوياً إلى أقصى مكان يمكن الذهاب إليه. قم بإحكام ربط رأس المثقاب حول الطرف القصير من المفتاح السداسي بمقاس 6 ملم أو أكبر غير مزود، واطرق على الطرف الطويل باتجاه حركة عقارب الساعة بواسطة مطرقة مرنة.

### رأس مثقاب بمفاتيح (الشكلان G, H)

DWD112

يتضمن DWD112 على رأس مثقاب بمفتاح 4. لادخال لقمة الثقب أو أي شيء آخر ضروري، اتبع الخطوات المحددة فيما يلي.

1. افتح فوك رأس المثقاب عن طريق إدارة الحلقة يدوياً. ثم قم بإدخال ساق اللقمة بمقدار 19 ملم في رأس المثقاب. قم بإحكام ربط حلقة رأس المثقاب يدوياً.
  2. قم بوضع مفتاح رأس المثقاب في كل فتحة من الفتحات الثلاث، وإحكام الربط باتجاه حركة الساعة. من الهام إحكام ربط رأس المثقاب في جميع الفتحات الثلاث.
- لتحرير اللقمة، أدر رأس المثقاب باتجاه عكس عقارب الساعة في فتحة واحدة فقط، ثم حرر رأس المثقاب يدوياً.

### إزالة رأس مثقاب بمفتاح (الشكل G)

أحكام ربط رأس المثقاب حول الطرف القصير للمفتاح السداسي غير مزود بحجم 6 ملم أو بحجم أكبر. باستخدام مطرقة مرنة، قم بالطرق بحدّة باتجاه عكس حركة عقارب الساعة عندما تتر مشاهدة الجزء الأمامي من الأداة. سيؤدي ذلك إلى تحرير رأس المثقاب وبالتالي فكه يدوياً.

### تثبيت رأس المثقاب بمفتاح (الشكل H)

قم بتثبيت رأس المثقاب ببرغي يدوياً إلى أقصى مكان يمكن الذهاب إليه. قم بإدخال الطرف القصير من المفتاح السداسي غير مزود مقاس 6 ملم واطرق باتجاه حركة عقارب الساعة بواسطة مطرقة مرنة.

### الصيانة

تم تصميم الأداة الكهربائية DEWALT الخاصة بك للعمل خلال فترة زمنية طويلة مع أدنى حد من الصيانة. يعتمد التشغيل المرضي المتواصل على العناية الملائمة بالأداة وتنظيفها بشكلٍ منتظم.



تحذير: لتقليل خطر التعرض للإصابة الشخصية الجسيمة، قم بإيقاف تشغيل الأداة وفصل مجموعة البطارية قبل إجراء أي عمليات ضبط، أو إزالة/تركيب الملحقات أو الإكسسوارات. قد يؤدي بدء التشغيل غير المقصود إلى حدوث إصابة.

## فرش المحرك

تستخدم DEWALT نظام فرشاة متقدم مما يؤدي إلى توقف المثقاب عن العمل تلقائياً عندما تتآكل الفرش. يؤدي ذلك إلى منع حدوث التلف البالغ بالمحرك. تتوفر مجموعات جديدة من الفرش لدى مراكز خدمة DEWALT المعتمدة. استخدم دائماً قطع الغيار البديلة المتطابقة.



### التشحيم

لا تحتاج الأداة الكهربائية الخاصة بك إلى أي تشحيم إضافي.



### التنظيف

تحذير: قم بنفخ الأتربة والغبار خارج التجويف الرئيسي بواسطة الهواء الجاف عدد أكبر من المرات في حال مشاهدة تجمع الأتربة بداخل المنافذ الهوائية وحولها. قم بإزالة واقفي العين المعتمد وكمامة الأتربة المعتمدة عند تنفيذ هذا الإجراء.

تحذير: لا تقم مطلقاً باستخدام مذيبات أو أي مواد كيميائية قاسية أخرى لتنظيف الأجزاء غير المعدنية بالأداة. إذ قد تضعف هذه المواد الكيميائية من المواد المستخدمة في هذه الأجزاء. استخدم قطعة قماش مبللة بالماء والصابون الخفيف فقط. لا تسمح قط بدخول أي سائل إلى الأداة، ولا تقم مطلقاً بغمر أي جزء من الأداة في السائل.

### الملحقات الاختيارية

تحذير: نظراً لأن الملحقات، بخلاف تلك التي اعتمدها DEWALT، لم تخضع للاختبار مع هذا المنتج، فإن استخدام مثل هذه الملحقات مع الأداة قد يشكل خطورة. لتقليل خطر وقوع إصابة، يجب استخدام ملحقات DEWALT الموصى بها فقط مع هذا المنتج.

استشر وكيلك لمعرفة المزيد من المعلومات حول الملحقات الملائمة.

### حماية البيئة

التجميع المنفصل. يجب عدم التخلص من المنتجات والبطاريات المحددة بهذا الرمز من خلال القمامة المنزلية العادية. فهذه المنتجات والبطاريات تحتوي على مواد يمكن استعادتها أو إعادة تدويرها لخفض الطلب على المواد الخام. الرجاء التخلص من المنتجات الكهربائية والبطاريات وفقاً للقوانين المحلية. توجد معلومات إضافية متوفرة على الموقع

www.2helpu.com









<b>Afghanistan</b>	Ariana Hafiz Zabi Co. Ltd. Dahan Bagh Squire Karte Ariana, Kabul, Afghanistan	info@arianahafiz.com	Tel: 93-0-799331079 Fax: 93-0-70007576 / 93-0-799331079
<b>Algeria</b>	Sarl Outillage Corporation 08, Rue Med Boudlat (ex TELLA Achen) Cheraga, Alger	hakim.merdjadi@outillage-dz.com lyes@outillage-dz.com Mail.faiza@outillage-dz.com; sidahmed@outillage-dz.com	Tel: 213-0-21375130 213-0-21375131 Fax: 213-0-21369667
<b>Angola</b>	Angoferraria, Lda. Rua Robert Shields, nº 61, Luanda, Angola	angoferraria@gmail.com sequeira.angoferraria@gmail.com	Tel: 244-222-395837 / 244-222-395034 Fax: 244-222-394790
<b>Azerbaijan</b>	Royalton Holdings Ltd. 41 Khagani St. Apt. 47 AZ1001 Baku- Azerbaijan	jai@royaltonholdings.com office@royaltonholdings.com	Tel: 994-12-4935544 Fax: 994-12-5980378
<b>Egypt</b>	ElFarab S.A.E. 15-Nabil El Wakkad Street, Dokki, Giza, Egypt	elfarab@elfarab.com adel.ezzaa@elfarab.com mahmoud.elhosseiny@elfarab.com	Tel: 202-37602946 Fax: 202-33352796
<b>Ethiopia</b>	Seif Tewrik Sherif Arada Sub City, Kebele 01/02, Global Insurance Bldg., 2nd Flr., Room 43, P.O. Box 2525, Addis Ababa	seif@ethionet.et nawanaj@ethionet.et	Tel: 251-11-1563968 251-11-1563969 Fax: 251-11-1580009
<b>Iraq</b>	Al-Sard Co. for General Trading Ltd Jbara Bldg. 3Flr. Al Rasheed St., Baghdad, Iraq	dewalt.service@yahoo.com	Tel: 964-18184102
<b>Jordan</b>	Amman West Stores-Bashiti 210 Garden St. Tla'a Ali, P.O. Box 1564 Tla Ali Amman 11953, Jordan	ali@bashitistores.com yousef@bashitistores.com	Tel: 962-6-5350009 Fax: 962-6-5350012
<b>Kenya</b>	Dextron Tools Ltd. P.O. Box 20121-00200, Shariff House, Kimathi Street, Nairobi	info@alibhaishariff.co.ke dextron@alibhaishariff.co.ke	Tel: 254-20-6905000 254-20-2358021 Fax: 254-20-6905111 / 254-20-6905112
<b>Lebanon</b>	Est. Shaya & Azar S.A.R.L. Boulevard Jdeideh - Mar Takla - Bouchrieh . P.O. Box 90545, Jdeideh, Beirut - Lebanon	shayazar@dm.net.lb	Tel: 961 8727305 961 872306 Fax: 961 8727303
<b>Libya</b>	North Africa Trading ( El Ghoul Brothers) P.O. Box 348, 7 October Street 11 Benghazi	maryam_farooq2003@yahoo.com nagte@eim.ae dewalt_libya@yahoo.com	Tel: 218-061-3383994 Fax: 218-092-7640688
	North Africa Trading ( El Ghoul Brothers) AlBarniq DeWALT Center, Mokhazin-elsukar St. ElFallah, Tripoli	dewalt_libya@yahoo.com	Tel: 218-021-3606430 Fax: 218-092-6514813
	North Africa Trading ( El Ghoul Brothers) AlHilal Service Center Tawergha St., Misurata		Tel: 218-091-3221408
<b>Mauritius</b>	Robert Le Marie Limited Old Moka Road, Bell Village, P.O. Box 161, Port Louis	a.blackburn.rm@ringroup.mu jm.pierrelouis.rm@ringroup.mu	Tel: 230-212 1865 Fax: 230-212 2847 230-2080843
<b>Morocco</b>	Ets Louis Guillaud & Cie 31, Rue Pierre Parent, Casablanca - 21000	boumadiane.azedine@elg.ma doukkali.marouane@elg.ma	Tel: 522-301446 / 305971 / 317815 / 315576 Fax: 522-444518 / 317888
<b>Nigeria</b>	Meridian Power Tools Ltd. Gr. Floor, #1 Alhaji Masha Rd, Next to Teslim Balogun Stadium, Near National Stadium Surulere, Lagos, Nigeria	braj@meridian-nigeria.com	Tel: 234-1-7740431 234-1-7740410 Fax: 234-1-7913798
<b>Pakistan</b>	Northern Toolings (Pvt) Ltd.-Lahore 86- Railway Road, Lahore -- 7 Pakistan	zhayee@northern.pk import@northern.pk sales@northern.pk	Tel: 92-423-7651220 92-423-7641675 Fax: 92-423-7641674
	Northern Toolings (Pvt) Ltd.-Karachi 224-231 Industrial Town Plaza, Shahrh-e-Liaqat, Karachi, Pakistan	karachibr@northern.pk	Tel: 92-213-2465305 92-213-2465307 Fax: 92-213-2465301
	Northern Toolings (Pvt) Ltd.-Taxila Al-Rehman Plaza, Opposite Tehsil Court, Faisal Shaheed Road, Taxila	taxilabr@northern.pk	Tel: 92-51-4545811 Fax: 92-51-4544194
<b>South Africa</b>	Benray Tool Wholesalers C.C. 91 Turffontein Road, Stafford, Johannesburg, 2001 P.O. Box 260037 EXXCOM 2023, South Africa	dewaltservice@benray.co.za zain@benray.co.za shafiq@benray.co.za	Tel: 27-11-6838350 Fax: 27-11-6837456
<b>Tanzania</b>	General Motors Investment Ltd. 14 Vingunguti-Nyerere Road, P.O.Box 16541, Dar es Salaam, Tanzania	ezra@gmi-tz.com info@gmi-tz.com chiwelesa@yahoo.com	Tel: 255-22-2865022 / 2862661 / 2862671 / 2862659 Fax: 255-22-2862667
<b>Tunisia</b>	Ets. Mohamed Ghorbel 03 Rue 8603 Chargaia I Tunis. Postal Code 2035	slim.ghorbel@gnet.tn moh.ghorbel@gnet.tn mourad.ghorbel@gnet.tn	Tel: 216-71794248 216-71793848 Fax: 216-71770759
<b>Uganda</b>	The Building Center ( 21 ) Ltd. 52 Station Road, Kitgum House, P.O. Box 7436 Kampala, Uganda	tbc@afficaonline.co.ug chris@tbcu.co.ug	Tel: 256-041-4234567 256-041-4259754 Fax: 256-041-4236413
<b>Yemen</b>	Middle East Trading Co. (METCO) 5th Flr.Hayel Saeed Anam Bldg. Al-Mugamma St. Taiz, Yemen	tamer.metco@gmail.com tamer@metcotrading.com metco@metcotrading.com sami@metcotrading.com	Tel: 967-4-213455 Fax: 967-4-219869
	Middle East Trading Co. (METCO) Mualla Dikka, Aden	tamer.metco@gmail.com tamer@metcotrading.com metco@metcotrading.com	Tel: 967-2-222670 Fax: 967-2-222670
	Middle East Trading Co. (METCO) Hayel st., Sana'a, Yemen	tamer.metco@gmail.com tamer@metcotrading.com metco@metcotrading.com	Tel: 967-1-204201 Fax: 967-1-204204

<b>UAE</b>	Black & Decker (Overseas) GmbH P.O. Box 5420, Dubai	service.mea@blackdecker.com	Tel: 971-4 8127400 / 8127406 Fax: 971-4 2822765
	Ideal Star Workshop Eqpt. Trading LLC P.O. Box 37116, Al Quoz, Dubai	idealeq@emirates.net.ae	Tel: 971-4 3474160 Fax: 971-4 3474157
	Alebrah Engineering Service P.O. Box 78954, Al Qusais, Dubai	alebrah@eim.ae	Tel: 971-4 2850044 Fax: 971-4 2844802
	Burj Al Madeena Industrial Area No. 1, opp. Pakistani Masjid P.O. Box 37635, Sharjah	dewaltuae@hotmail.com	Tel: 971-6 5337747 Fax: 971-6 5337719
	McCoy Middle East LLC P.O. Box 25793, Sharjah	mccoy@emirates.net.ae	Tel: 971-6 5395931 Fax: 971-6 5395932
	McCoy Middle East LLC P.O. Box 10584, Ras Al Khaimah	mccoynak@gmail.com	Tel: 971-7 2277095 Fax: 971-7 2277096
	Al Sukoon Gen. Trdg. Co. LLC P.O. Box 2975, Ajman	sukoon@eim.ae	Tel: 971-6 7435725 / 7438317 Fax: 971-6 7437350
	Zillion Equipment and Spare Parts Trading LLC P.O. Box 19740, opp. Bin Sadat / Trimix Redymix Sanaiya, Al Ain	zilliontrdg@gmail.com	Tel: 971-3 7216690 Fax: 971-3 7216103
	Light House Electrical, Abu Dhabi Branch P.O. Box 120, Abu Dhabi	dewalt_lhe@hotmail.com	Tel: 971-2 6726131 Fax: 971-2 6720667
	Light House Electrical, Musaffah Branch P.O. Box 120, Abu Dhabi	dewalt_lhe@hotmail.com	Tel: 971-2 5548315 Fax: 971-2 5540461
<b>Bahrain</b>	Alfouz Services Co. WLL P.O. Box 26562, Tubli, Manama	alfouz@batelco.com.bh	Tel: 973 1778362 / 17879987 Fax: 973 17783479
	Kavalani & Sons W.L.L. P.O. Box 71, Sitra, Manama	irfo@kavalani.com pradeep@kavalani.com	Tel: 973 17732888 Fax: 973 17737379
<b>Kuwait</b>	Al Omar Technical Co. P.O. Box 4062, Safat 13041, Kuwait	alexotc@usa.net	Tel: 965 24848595 / 24840039 Fax: 965 24845652
	Fawaz Al Zayani Establishment P.O. Box 42426, Shop No.18, Al Humaizi Commercial Complex, Khalifa Al Jassim, Shuwaikh	dewaltkuwait@hotmail.com	Tel: 965 24828710 Fax: 965 24828716
	Fawaz Al Zayani Establishment Fahaheel Industrial Area, Main St., Sanaya	dewaltkuwait@hotmail.com	Tel: 965 23925830 Fax: 965 24828716
<b>Oman</b>	Al Jizzi Company LLC P.O. Box 1704, P.C. 112, Ruwi	aljizied@omantel.net.om jizzi10@omantel.net.om	Tel: 968 24832618 / 24835153 Fax: 968 24831334 / 24836460
	Al Hassan Technical & Construction Supplies Co. LLC P.O. Box 1948, P.C. 112, Ruwi	hamriya.sr@al-hassan.com abrar.h@al-hassan.com	Tel: 968 24810575 / 24837054 Fax: 968 24810287 / 24833080
	Oman Hardware Co. LLC P.O. Box 635, Ruwi Postal Code 112	omanhard@omantel.net.om	Tel: 968 24815131 Fax: 968 24816491
<b>Qatar</b>	Khimiji Ramdas P.O. Box 19, Post Code 100, Ghalta, Muscat	bilal.m@khimijiramdas.com	Tel: 968 24595906/ 907 Fax: 968 24852752
	Teyseer Industrial Supplies & Services Co. WLL 55, Al Wakalat St. (Between St. 18 & 19) Salwa Industrial Area, P.O. Box 40523 Doha	manish@tisso-qatar.com tool.service@tisso-qatar.com	Tel: 974 4581536 Fax: 974 4682024
	Shaheen Electrical Works & Trading Co. WLL Gate 34, St. 44 Industrial Area P.O. Box 9756, Doha	shaheenel@gmail.com	Tel: 974 460 02 30 / 460 05 25 Fax: 974 460 13 38
<b>KSA</b>	Industrial Material Organization (IMO) P.O. Box 623, Rail Street, Riyadh	service@imo.com.sa	Tel: 966-1 4028010 Ext. 26 966-1 8001245757 Fax: 966-1 4037970
	Fawaz Ebrahim Al Zayani Trading Est. P.O. Box 76026, Al Raka : 31952	dewaltdammam@hotmail.com	Tel: 966-3 8140914 Fax: 966-3 8140824
	MSS (Al-Mojil Supply & Services) P.O. Box 450, Jubail 31951 Opp-Gulf Bridge Library & Riyadh House	mssjubail@almojilservices.com alex.chang@almojilservices.com	Tel: 966-3 3612850 / 3624487 966-3 3621729 966-3 3623589 / 3620783
	EAC (Al Yousef Contg. & Trdg. Est.) P.O. Box 30377, Jeddah -21477	golamkibria77@yahoo.com	Tel: 966-2 65119912 Fax: 966-2 65111553
	Mohamed Ahmed Bin Afif Est. P.O. Box 530, Yanbu, Al Bahr	binafifyanbu@hotmail.com	Tel: 966-4 3222626 / 3228867 Fax: 966-4 3222210
	Garziz Trading for Bldg Mat & Decoration P.O. Box 3364, Madina	agarziz@yahoo.com	Tel: 966-4 826 14 90 / 822 76 36 Fax: 966-4 826 57 41
	Sultan Garment Factory (RSC) P.O. Box 29912, Riyadh 11467	rscservice@diglil.net.sa	Tel: 966-1 4055148 / 4042889 Fax: 966-1 4055148
	Al Bawardi Tools & Hardware P.O. Box 112, Dammam 31411	asattar@albawardi.com nibanez@albawardi.com	Tel: 966-3 8330780 Ext. 24 966-3 8348585 Ext. 24 Fax: 966-3 8336303
	Al Bawardi Tools & Hardware P.O. Box 68, Riyadh 11411	rbaltao@albawardi.com asamad@albawardi.com	Tel: 966-1 4484999 Fax: 966-3 4487877
	Al Bawardi Tools & Hardware P.O. Box 16905, Jeddah 21474	sharadj@albawardi.com fgaber@albawardi.com	Tel: 966-2 6444547 / 6439035 966-2 6456095 Fax: 966-2 6439024