

**DEWALT®**

[www.DEWALT.eu](http://www.DEWALT.eu)

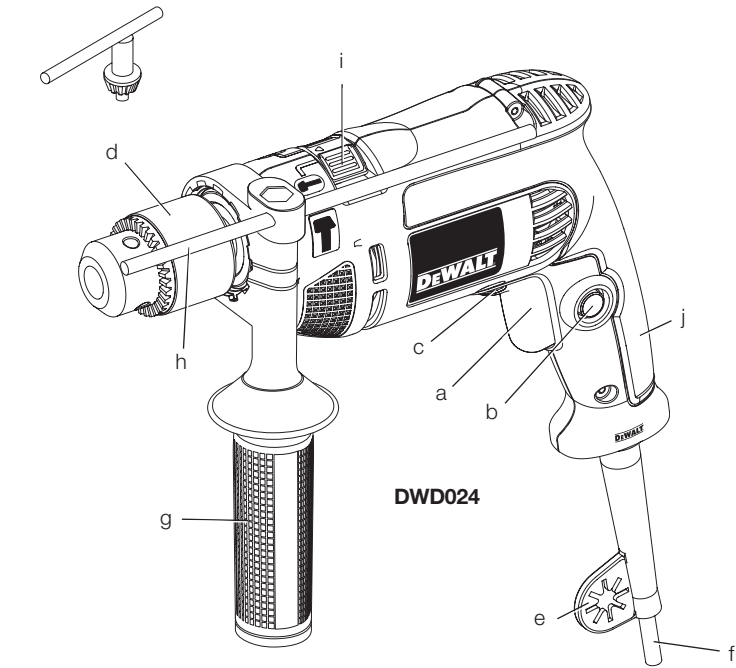
**DWD024**  
**DWD024S**

---

|   |           |
|---|-----------|
| <b>English</b> ( <i>original instructions</i> )                             | <b>4</b>  |
| <b>Français</b> ( <i>traduction de la notice d'instructions originale</i> ) | <b>11</b> |
| <b>العربية</b> ( <i>مترجم عن التعليمات الأصلية</i> )                        | <b>19</b> |

---

Figure 1  
شکل 1



DWD024

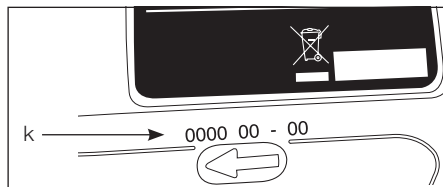
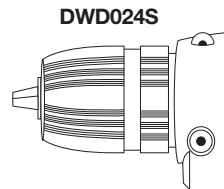
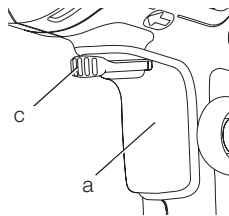


Figure 2  
شکل 2

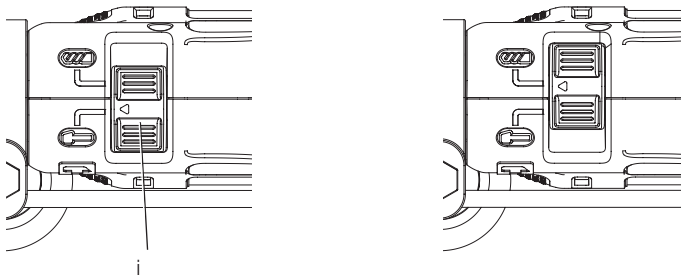


Figure 3  
شکل 3

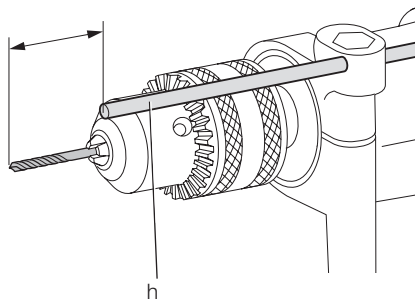


Figure 4  
شکل 4

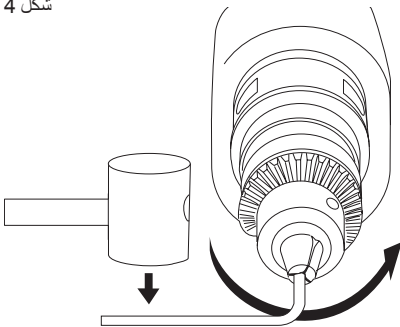


Figure 5  
شکل 5

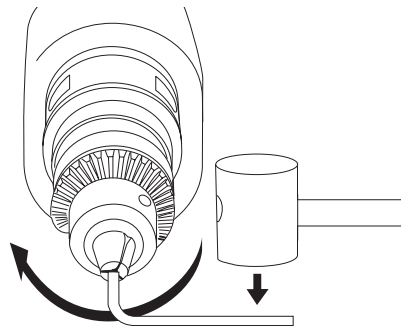


Figure 6  
شکل 6

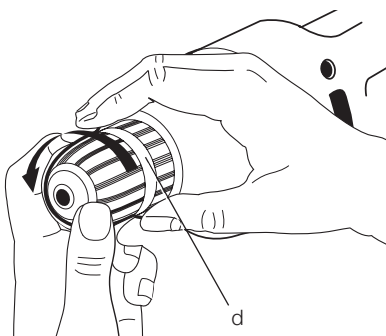


Figure 7  
شکل 7

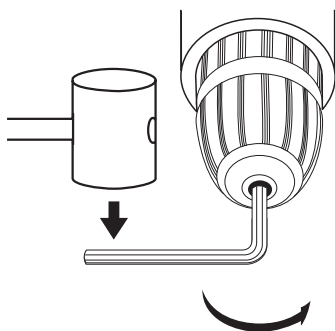


Figure 8  
شکل 8

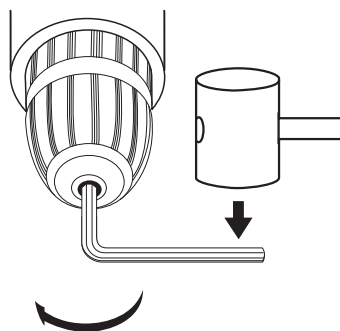
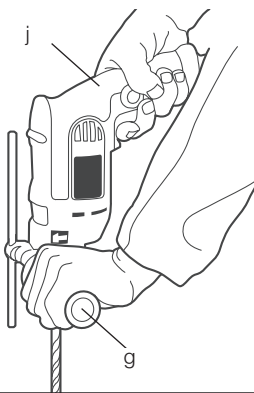


Figure 9  
شکل 9



# VARIABLE SPEED PERCUSSION DRILL

## DWD024, DWD024S

### Congratulations!

You have chosen a DEWALT tool. Years of experience, thorough product development and innovation make DEWALT one of the most reliable partners for professional power tool users.

### Technical Data

|   |      | DWD024    | DWD024S   |
|---|------|-----------|-----------|
| Voltage                                       | V    | 220/240   | 220/240   |
|   | V    | 120       | 120       |
| Type  |      | 20        | 20        |
| Power input                                   | W    | 750       | 750       |
| No load speed                                 | /min | 0–2800    | 0–2800    |
| No load impact                                | /min | 0-47600   | 0-47600   |
| Maximum drilling range<br>steel/wood/concrete | mm   | 13/25/16  | 13/25/16  |
|   | Nm   | 5.2       | 5.2       |
| Chuck spindle<br>thread size                  | UNF  | 1/2" x 20 | 1/2" x 20 |
| Collar diameter                               | mm   | 43        | 43        |
| Maximum chuck<br>capacity                     | mm   | 13        | 13        |
| Weight  | kg   | 1.6       | 1.6       |

### Definitions: Safety Guidelines

The definitions below describe the level of severity for each signal word. Please read the manual and pay attention to these symbols.



**DANGER:** Indicates an imminently hazardous situation which, if not avoided, **will result in death or serious injury.**



**WARNING:** Indicates a potentially hazardous situation which, if not avoided, **could result in death or serious injury.**



**CAUTION:** Indicates a potentially hazardous situation which, if not avoided, **may result in minor or moderate injury.**

**NOTICE:** indicates a practice **not related to personal injury** which, if not avoided, **may result in property damage.**



Denotes risk of electric shock.



Denotes risk of fire.



**WARNING:** To reduce the risk of injury, read the instruction manual.

### General Power Tool Safety Warnings



**WARNING! Read all safety warnings and instructions.** Failure to follow the warnings and instructions may result in electric shock, fire and/or serious injury.

#### SAVE ALL WARNINGS AND INSTRUCTIONS FOR FUTURE REFERENCE

The term "power tool" in the warnings refers to your mains-operated (corded) power tool or battery-operated (cordless) power tool.

#### 1) WORK AREA SAFETY

- Keep work area clean and well lit.** Cluttered or dark areas invite accidents.
- Do not operate power tools in explosive atmospheres, such as in the presence of flammable liquids, gases or dust.** Power tools create sparks which may ignite the dust or fumes.
- Keep children and bystanders away while operating a power tool.** Distractions can cause you to lose control.

#### 2) ELECTRICAL SAFETY

- Power tool plugs must match the outlet. Never modify the plug in any way. Do not use any adapter plugs with earthed (grounded) power tools.** Unmodified plugs and matching outlets will reduce risk of electric shock.
- Avoid body contact with earthed or grounded surfaces such as pipes, radiators, ranges and refrigerators.** There is an increased risk of electric shock if your body is earthed or grounded.
- Do not expose power tools to rain or wet conditions.** Water entering a power tool will increase the risk of electric shock.
- Do not abuse the cord. Never use the cord for carrying, pulling or unplugging the power tool. Keep cord away from heat, oil, sharp edges or moving parts.** Damaged or entangled cords increase the risk of electric shock.

- e) **When operating a power tool outdoors, use an extension cord suitable for outdoor use.** Use of a cord suitable for outdoor use reduces the risk of electric shock.
- f) **If operating a power tool in a damp location is unavoidable, use a residual current device (RCD) protected supply.** Use of an RCD reduces the risk of electric shock.

### 3) PERSONAL SAFETY

- a) **Stay alert, watch what you are doing and use common sense when operating a power tool. Do not use a power tool while you are tired or under the influence of drugs, alcohol or medication.** A moment of inattention while operating power tools may result in serious personal injury.
  - b) **Use personal protective equipment. Always wear eye protection.** Protective equipment such as dust mask, non-skid safety shoes, hard hat, or hearing protection used for appropriate conditions will reduce personal injuries.
  - c) **Prevent unintentional starting. Ensure the switch is in the off position before connecting to power source and/or battery pack, picking up or carrying the tool.** Carrying power tools with your finger on the switch or energising power tools that have the switch on invites accidents.
  - d) **Remove any adjusting key or wrench before turning the power tool on.** A wrench or a key left attached to a rotating part of the power tool may result in personal injury.
  - e) **Do not overreach. Keep proper footing and balance at all times.** This enables better control of the power tool in unexpected situations.
  - f) **Dress properly. Do not wear loose clothing or jewellery. Keep your hair, clothing and gloves away from moving parts.** Loose clothes, jewellery or long hair can be caught in moving parts.
  - g) **If devices are provided for the connection of dust extraction and collection facilities, ensure these are connected and properly used.** Use of dust collection can reduce dust-related hazards.
- b) **Do not use the power tool if the switch does not turn it on and off.** Any power tool that cannot be controlled with the switch is dangerous and must be repaired.
  - c) **Disconnect the plug from the power source and/or the battery pack from the power tool before making any adjustments, changing accessories, or storing power tools.** Such preventive safety measures reduce the risk of starting the power tool accidentally.
  - d) **Store idle power tools out of the reach of children and do not allow persons unfamiliar with the power tool or these instructions to operate the power tool.** Power tools are dangerous in the hands of untrained users.
  - e) **Maintain power tools. Check for misalignment or binding of moving parts, breakage of parts and any other condition that may affect the power tool's operation. If damaged, have the power tool repaired before use.** Many accidents are caused by poorly maintained power tools.
  - f) **Keep cutting tools sharp and clean.** Properly maintained cutting tools with sharp cutting edges are less likely to bind and are easier to control.
  - g) **Use the power tool, accessories and tool bits etc., in accordance with these instructions taking into account the working conditions and the work to be performed.** Use of the power tool for operations different from those intended could result in a hazardous situation.

### 5) SERVICE

- a) **Have your power tool serviced by a qualified repair person using only identical replacement parts.** This will ensure that the safety of the power tool is maintained.

## Additional Specific Safety Rules for Percussion Drills

- **Wear ear protectors when impact drilling.** Exposure to noise can cause hearing loss.
- **Use auxiliary handle(s), if supplied with the tool.** Loss of control can cause personal injury.
- **Hold power tool by insulated gripping surfaces, when performing an operation where the cutting accessory may contact hidden wiring.** Cutting accessory contacting a "live" wire may make exposed metal parts of the power tool "live" and could give the operator an electric shock.

### 4) POWER TOOL USE AND CARE

- a) **Do not force the power tool. Use the correct power tool for your application.** The correct power tool will do the job better and safer at the rate for which it was designed.

- **Use clamps or other practical way to secure and support the workpiece to a stable platform.** Holding the work by hand or against your body is unstable and may lead to loss of control.
- **Wear safety goggles or other eye protection.** Drilling operations cause chips to fly. Flying particles can cause permanent eye damage.
- **Bits and tools get hot during operation.** Wear gloves when touching them.
- **Keep handles dry, clean, free from oil and grease. it is recommended to use rubber gloves.** This will enable better control of the tool.

## Residual Risks

The following risks are inherent to the use of percussion drills:

- Injuries caused by touching the rotating parts or hot parts of the tool.

In spite of the application of the relevant safety regulations and the implementation of safety devices, certain residual risks cannot be avoided. These are:

- Impairment of hearing.
- Risk of squeezing fingers when changing accessories.
- Health hazards caused by breathing dust developed when working in wood.
- Risk of personal injury due to flying particles.
- Risk of personal injury due to prolonged use.

## Markings on Tool

The following pictograms are shown on the tool:



Read instruction manual before use.



Wear ear protection.



Wear eye protection.

### DATE CODE POSITION (FIG. 1)

The date code (k), which also includes the year of manufacture, is printed into the housing.

Example:

2015 XX XX  
Year of Manufacture

## Package Contents

The package contains:

- 1 Drill
- 1 Chuck key (DWD024)
- 1 Depth rod
- 1 Side handle
- 1 Instruction manual
- 1 Exploded drawing
  - Check for damage to the tool, parts or accessories which may have occurred during transport.
  - Take the time to thoroughly read and understand this manual prior to operation.

## Description (fig. 1)



**WARNING:** Never modify the power tool or any part of it. Damage or personal injury could result.

- Variable speed trigger switch
- Lock-on button
- Forward/reverse lever
- Chuck
- Cord protector with key holder
- Cord set
- Side handle
- Depth adjustment rod
- Mode selector
- Main handle
- Date code position

### INTENDED USE

These heavy-duty variable speed percsson drills are designed for professional drilling.

**DO NOT** use under wet conditions or in presence of flammable liquids or gases.

These heavy-duty percussion drills are professional power tools.

**DO NOT** let children come into contact with the tool. Supervision is required when inexperienced operators use this tool.

## Electrical Safety

The electric motor has been designed for one voltage only. Always check that the power supply corresponds to the voltage on the rating plate.



Your DEWALT tool is double insulated in accordance with EN 60745; therefore no earth wire is required.





**WARNING:** 120 V units have to be operated via a fail-safe isolating transformer with an earth screen between the primary and secondary winding.

If the supply cord is damaged, it must be replaced by a specially prepared cord available through the DEWALT service organization.

## Mains Plug Replacement (Middle East and Africa)

If a new mains plug needs to be fitted:

- Safely dispose of the old plug.
- Connect the brown lead to the live terminal in the plug.
- Connect the blue lead to the neutral terminal.



**WARNING:** No connection is to be made to the earth terminal.

Follow the fitting instructions supplied with good quality plugs. Recommended fuse: 13 A.

## Using an Extension Cable

If an extension cable is required, use an approved 3-core extension cable suitable for the power input of this tool (see **Technical Data**). The minimum conductor size is 1.5 mm<sup>2</sup>; the maximum length is 30 m.

When using a cable reel, always unwind the cable completely.

## ASSEMBLY AND ADJUSTMENTS



**WARNING:** To reduce the risk of injury, turn unit off and disconnect tool from power source before installing and removing accessories, before adjusting or changing set-ups or when making repairs. Be sure the trigger switch is in the OFF position. An accidental start-up can cause injury.

### Side Handle (fig. 1)



**WARNING:** To reduce the risk of personal injury, ALWAYS operate the tool with the side handle properly installed. Failure to do so may result in the side handle slipping during tool operation and subsequent loss of control. Hold tool with both hands to maximize control.

A side handle comes assembled with the DWD024 and the DWD024S. The side handle (g) can be fitted to suit both right-hand and left-hand users.

### TO ADJUST THE SIDE HANDLE

1. Loosen the side handle (g) by turning it counterclockwise.
2. Rotate the side handle to the desired position.
3. Tighten the side handle by turning it clockwise.

### TO CHANGE SIDES

*For right-hand users:* slide the side handle clamp over the chuck, handle at the left.

*For left-hand users:* slide the side handle clamp over the chuck, handle at the right.

## Forward/Reverse Lever (fig. 1)

The forward/reverse lever (c), located above the trigger switch (a), is used for withdrawing bits from tight holes and removing screws.

To reverse the motor, release the trigger switch FIRST and then push the lever to the right (viewed when holding the drill in the operating position).

After any reversing operations, return lever to forward position.

## Mode Selector (fig. 2)

**NOTICE:** Tool must come to a complete stop before activating the mode selector button or damage to the tool may result.

Select the required operating mode by sliding the mode selector (i) to the corresponding symbol.



### DRILL-ONLY MODE

Use drill-only mode for wood, metal, and plastics.



### HAMMER-ONLY MODE

Use hammer-only mode for simultaneous rotating and impacting for masonry, brick and concrete.

## Setting the Drilling Depth (fig. 3)

1. Insert the required drill bit into the chuck.
2. Loosen the side handle (g).
3. Fit the depth adjustment rod (h) through the hole in the side handle clamp.
4. Adjust the drilling depth as shown in figure 3.
5. Tighten the side handle.

## Keyed Chuck (fig. 1, 4, 5)

### DWD024

The DWD024 features a keyed chuck (d).

**TO INSERT A DRILL BIT OR OTHER ACCESSORY**

1. Open the chuck jaws by turning collar by hand and insert the shank of the bit about 19 mm (3/4") into chuck. Tighten the chuck collar by hand.
2. Place chuck key in each of the three holes, and tighten in clockwise direction. It's important to tighten chuck with all three holes.

To release the bit, turn the chuck counterclockwise in just one hole, then loosen the chuck by hand.

**REMOVAL OF KEYED CHUCK (FIG. 4)**

Tighten the chuck around the shorter end of a hex key. Using a soft hammer, strike the key sharply in the counterclockwise direction when viewed from the front of the tool. This will loosen the chuck so that it can be removed by hand.

**KEYED CHUCK INSTALLATION (FIG. 5)**

Screw the chuck on by hand as far as it will go. Insert the shorter end of a hex key and strike it in the clockwise direction with a soft hammer.

**Keyless Chuck (fig. 1, 6–8)**

**DWD024S**

The DWD024S features a keyless chuck (d) for greater convenience.

**TO INSERT A DRILL BIT OR OTHER ACCESSORY**

1. Grasp the rear half of the chuck with one hand and use your other hand to rotate the front half counterclockwise, as shown in Figure 6. Rotate far enough so that the chuck opens sufficiently to accept the desired accessory.
2. Insert the bit or other accessory about 19 mm (3/4") into the chuck and tighten securely by holding the rear half of the chuck and rotating the front portion in the clockwise direction. When the chuck is nearly tightened, you will hear a clicking sound. After 4–6 clicks, the chuck is securely tightened around the accessory.
3. To release the accessory, repeat step 1 listed above.



**WARNING:** Do not attempt to tighten drill bits (or any other accessory) by gripping the front part of the chuck and turning the tool on. Damage to the chuck and personal injury may result.

**KEYLESS CHUCK REMOVAL (FIG. 7)**

Tighten the chuck around the shorter end of a hex key (not supplied). Using a soft hammer or piece of wood, strike the longer end in the counterclockwise

direction. This will loosen the chuck so that it can be unscrewed by hand.

**KEYLESS CHUCK INSTALLATION (FIG. 8)**

Screw the chuck on by hand as far as it will go. Tighten the chuck around the shorter end of a hex key (not supplied) and strike the longer end in the clockwise direction with a soft hammer.

**OPERATION**

**Instructions for Use**



**WARNING:** Always observe the safety instructions and applicable regulations.

**Trigger Switch (fig. 1)**

To start the drill, depress the trigger switch; to stop the drill, release the trigger switch.

**NOTE:** Use lower speeds for starting holes without a center punch, drilling in metal or plastics, driving screws or drilling ceramics. Higher speeds are better for drilling wood and composition boards and using abrasive and polishing accessories.

**VARIABLE SPEED**

A variable speed trigger switch (a) permits speed control—the farther the trigger is depressed, the higher the speed of the drill.

For continuous operation, press and hold the variable speed switch, press the lock-on button (b), then release the switch.

To stop continuous operation, press the switch briefly and release it. Always switch the tool off when work is finished and before unplugging.

**Proper Hand Position (fig. 9)**



**WARNING:** To reduce the risk of serious personal injury, **ALWAYS** use proper hand position as shown in figure 9.



**WARNING:** To reduce the risk of serious personal injury, **ALWAYS** hold securely in anticipation of a sudden reaction.

Proper hand position requires one hand on the main handle (j), with the other hand on the side handle (g).

**Drilling**



**WARNING:** To reduce the risk of serious personal injury, turn tool off and disconnect tool from power source before making any adjustments or removing/installing attachments or accessories.



**WARNING: To reduce the risk of personal injury, ALWAYS ensure workpiece is anchored or clamped firmly. If drilling thin material, use a wood "back-up" block to prevent damage to the material.**

1. Use sharp drill bits only. For WOOD, use the low speed setting and twist drill bits, spade bits, power auger bits, or hole saws. For METAL, use the low speed setting and steel twist drill bits or hole saws. For MASONRY, such as brick, cement, cinder block, etc., use carbide-tipped bits rated for percussion drilling.
2. Always apply pressure in a straight line with the bit. Use enough pressure to keep drill biting, but do not push hard enough to stall the motor or deflect the bit.
3. Hold tool firmly with both hands to control the twisting action of the drill.



**CAUTION:** Drill may stall if overloaded causing a sudden twist. Always expect the stall. Grip the drill firmly to control the twisting action and avoid injury.

4. **IF DRILL STALLS**, it is usually because it is being overloaded or improperly used. **RELEASE TRIGGER IMMEDIATELY**, remove drill bit from work, and determine cause of stalling. **DO NOT CLICK TRIGGER ON AND OFF IN AN ATTEMPT TO START A STALLED DRILL — THIS CAN DAMAGE THE DRILL.**
5. To minimize stalling or breaking through the material, reduce pressure on drill and ease the bit through the last fractional part of the hole.
6. Keep the motor running when pulling the bit back out of a drilled hole. This will help prevent jamming.
7. With variable speed drills there is no need to center punch the point to be drilled. Use a slow speed to start the hole and accelerate by squeezing the trigger harder when the hole is deep enough to drill without the bit skipping out.

## DRILLING IN METAL

Start drilling with slow speed and increase to full power while applying firm pressure on the tool. A smooth even flow of metal chips indicates the proper drilling rate. Use a cutting lubricant when drilling metals. The exceptions are cast iron and brass which should be drilled dry.

**NOTE:** Large [5/16" (8 mm) to 1/2" (13 mm)] holes in steel can be made easier if a pilot hole [5/32" (4 mm) to 3/16" (5 mm)] is drilled first.

## DRILLING IN WOOD

Start drilling with slow speed and increase to full power while applying firm pressure on the tool. Holes in wood can be made with the same twist drills used for metal. These bits may overheat unless pulled out frequently to clear chips from the flutes. Work that is apt to splinter should be backed up with a block of wood.

## DRILLING IN MASONRY

When drilling in masonry, use carbide-tipped bits rated for percussion drilling and be certain that the bits are sharp. Use a constant and firm force on the tool to drill most effectively. A smooth, even flow of dust indicates the proper drilling rate.

## MAINTENANCE

Your DEWALT power tool has been designed to operate over a long period of time with a minimum of maintenance. Continuous satisfactory operation depends upon proper tool care and regular cleaning.



**WARNING: To reduce the risk of injury, turn unit off and disconnect tool from power source before installing and removing accessories, before adjusting or changing set-ups or when making repairs. Be sure the trigger switch is in the OFF position. An accidental start-up can cause injury.**

## Motor Brushes

DEWALT uses an advanced brush system which automatically stops the drill when the brushes wear out. This prevents serious damage to the motor. New brush assemblies are available at authorized DEWALT service centers. Always use identical replacement parts.



## Lubrication

Your power tool requires no additional lubrication.



## Cleaning



**WARNING:** Blow dirt and dust out of the main housing with dry air as often as dirt is seen collecting in and around the air vents. Wear approved eye protection and approved dust mask when performing this procedure.



**WARNING:** *Never use solvents or other harsh chemicals for cleaning the non-metallic parts of the tool. These chemicals may weaken the materials used in these parts. Use a cloth dampened only with water and mild soap. Never let any liquid get inside the tool; never immerse any part of the tool into a liquid.*

You can check the location of your nearest authorised repair agent by contacting your local DEWALT office at the address indicated in this manual. Alternatively, a list of authorised DEWALT repair agents and full details of our after-sales service and contacts are available on the Internet at: **[www.2helpU.com](http://www.2helpU.com)**.

## Optional Accessories



**WARNING:** *Since accessories, other than those offered by DEWALT, have not been tested with this product, use of such accessories with this tool could be hazardous. To reduce the risk of injury, only DEWALT, recommended accessories should be used with this product.*



**CAUTION:** *To reduce the risk of injury, accessories should be used only in sizes up to the maximums shown in the **Technical Data**.*

Consult your dealer for further information on the appropriate accessories.

## Protecting the Environment



Separate collection. This product must not be disposed of with normal household waste.



Should you find one day that your DEWALT product needs replacement, or if it is of no further use to you, do not dispose of it with household waste. Make this product available for separate collection.



Separate collection of used products and packaging allows materials to be recycled and used again. Re-use of recycled materials helps prevent environmental pollution and reduces the demand for raw materials.

Local regulations may provide for separate collection of electrical products from the household, at municipal waste sites or by the retailer when you purchase a new product.

DEWALT provides a facility for the collection and recycling of DEWALT products once they have reached the end of their working life. To take advantage of this service please return your product to any authorised repair agent who will collect them on our behalf.

# PERCEUSE À PERCUSSION À VITESSE VARIABLE

## DWD024, DWD024S

### Félicitations !

Vous avez choisi un outil DEWALT. Des années d'expérience, un développement de produits approfondi et une innovation constante font de DEWALT l'un des partenaires les plus fiables pour les utilisateurs d'outils électriques professionnels.

### Fiche technique

|                                       |                  | DWD024    | DWD024S   |
|---------------------------------------|------------------|-----------|-----------|
| Tension                               | V                | 220/240   | 220/240   |
|                                       | V                | 120       | 120       |
| Type                                  |                  | 20        | 20        |
| Puissance absorbée                    | W                | 750       | 750       |
| Vitesse à vide                        | /min             | 0-2800    | 0-2800    |
| Impact à vide                         | /min             | 0-47600   | 0-47600   |
| Plage de perçage maximale             |                  |           |           |
|                                       | acier/bois/béton | mm        | 13/25/16  |
| Couple                                | Nm               | 5,2       | 5,2       |
| Diamètre nominal de broche de mandrin |                  |           |           |
|                                       | UNF              | 1/2" x 20 | 1/2" x 20 |
| Diamètre de bague                     | mm               | 43        | 43        |
| Capacité maximale de mandrin          |                  |           |           |
|                                       | mm               | 13        | 13        |
| Poids                                 | kg               | 1,6       | 1,6       |

### Définitions : consignes de sécurité

Les définitions ci-dessous décrivent le niveau de gravité de chaque mot signalétique. Lisez le manuel de l'utilisateur et soyez attentif à ces symboles.



**DANGER** : indique une situation dangereuse imminente qui, si elle n'est pas évitée, **entraînera des blessures graves ou mortelles.**



**AVERTISSEMENT** : indique une situation dangereuse potentielle qui, si elle n'est pas évitée, **pourrait entraîner des blessures graves ou mortelles.**



**ATTENTION** : indique une situation dangereuse potentielle qui, si elle n'est pas évitée, **pourrait entraîner des blessures minimales** ou modérées.

**AVIS** : indique une pratique ne posant **aucun risque de dommages corporels** mais qui par contre, si rien n'est fait pour l'éviter, **pourrait poser des risques de dommages matériels.**



Indique un risque d'électrocution.



Indique un risque d'incendie.



**AVERTISSEMENT** : afin de réduire le risque de blessure, lisez le manuel d'instruction.

### Avertissements de sécurité généraux pour les outils électriques



**AVERTISSEMENT ! Lisez tous les avertissements de sécurité et toutes les consignes.** Le non-respect de ces avertissements et consignes peut entraîner un choc électrique, un incendie et/ou de graves blessures.

### CONSERVEZ TOUS LES AVERTISSEMENTS ET LES CONSIGNES POUR RÉFÉRENCE ULTÉRIEURE

Le terme « outil électrique » mentionné dans les avertissements se rapporte aux outils branchés sur secteur (avec câble de raccordement) ou fonctionnant sur piles (sans fil).

#### 1) SÉCURITÉ DE L'AIRE DE TRAVAIL

- Maintenez l'aire de travail propre et bien éclairée.** Une aire de travail encombrée ou mal éclairée augmente les risques d'accident.
- N'utilisez pas les outils électriques dans un environnement explosif, comme en présence de liquides, gaz ou poussières inflammables.** Les outils électriques produisent des étincelles qui peuvent enflammer la poussière ou les émanations.
- Tenez à distance enfants et spectateurs pendant que vous opérez un outil électrique.** Une distraction peut vous faire perdre le contrôle de l'outil.

#### 2) SÉCURITÉ ÉLECTRIQUE

- La fiche de l'outil électrique doit correspondre avec la prise de courant. Ne modifiez en aucun cas la fiche. N'utilisez pas de fiches adaptatrices avec des outils électriques reliés à la terre (masse).** Les fiches non modifiées et les prises de courant adaptées réduisent les risques d'électrocution.

- b) **Évitez tout contact physique avec des surfaces reliées à la terre ou à la masse, tels que tuyaux, radiateurs, cuisinières électriques et réfrigérateurs.** Le risque d'électrocution augmente si votre corps est relié à la terre.
- c) **N'exposez pas les outils électriques à la pluie ou à l'humidité.** Le risque d'électrocution augmente si de l'eau pénètre dans un outil électrique.
- d) **Ne maltraitez pas le cordon d'alimentation. N'utilisez jamais le cordon pour transporter, tirer ou débrancher l'outil électrique. Tenez le cordon à l'écart des sources de chaleur, de l'huile, des bords tranchants ou des pièces en mouvement.** Le risque d'électrocution augmente si le cordon est endommagé ou entortillé.
- e) **Utilisez une rallonge conçue pour l'utilisation à l'extérieur si vous utilisez l'outil électrique dehors.** Le risque d'électrocution diminue si vous utilisez un cordon conçu pour l'utilisation à l'extérieur.
- f) **Si vous ne pouvez pas faire autrement qu'utiliser l'outil électrique dans un endroit humide, utilisez un circuit protégé par dispositif de courant résiduel (RCD).** L'utilisation d'un RCD réduit le risque d'électrocution.

### 3) SÉCURITÉ PERSONNELLE

- a) **Restez vigilant, surveillez vos gestes et faites preuve de bon sens lorsque vous utilisez un outil électrique. N'utilisez pas un outil électrique si vous êtes fatigué ou sous l'influence de drogues, d'alcool ou de médicaments.** Un moment d'inattention durant l'utilisation d'un outil électrique peut entraîner de graves blessures corporelles.
- b) **Utilisez un équipement de sécurité individuelle. Portez toujours des lunettes de sécurité.** Un équipement de sécurité comme un masque anti-poussières, des chaussures de sécurité antidérapantes, un casque de sécurité ou un serre-tête antibruit, utilisé selon la tâche à effectuer, permettront de diminuer le risque de blessures corporelles.
- c) **Évitez tout démarrage intempestif. Assurez-vous que l'interrupteur est en position arrêt avant de relier l'outil à la source d'alimentation et/ou au bloc-piles, ou de ramasser ou transporter l'outil.** Transporter les outils électriques le doigt placé sur l'interrupteur ainsi que brancher des outils électriques dont l'interrupteur est

en position Marche augmentent les risques d'accident.

- d) **Retirez toute clé de réglage ou autre avant de mettre l'outil sous tension.** Une clé laissée en place sur une pièce rotative de l'outil électrique peut entraîner des blessures corporelles.
- e) **Ne vous penchez pas trop loin. Maintenez constamment votre équilibre.** Vous aurez ainsi une meilleure maîtrise de l'outil électrique en cas de situations imprévues.
- f) **Portez des vêtements adéquats. Ne portez pas de vêtements amples ni de bijoux. Maintenez cheveux, vêtements et gants à l'écart des pièces en mouvement.** Les pièces en mouvement peuvent happer les vêtements amples, les bijoux et les cheveux longs.
- g) **Si des accessoires sont fournis pour raccorder des dispositifs d'aspiration et de collecte de la poussière, vérifiez qu'ils sont bien raccordés et bien utilisés.** L'utilisation de dispositifs de collecte de la poussière peut réduire les risques liés à la poussière.

### 4) UTILISATION ET ENTRETIEN DES OUTILS ÉLECTRIQUES

- a) **Ne forcez pas l'outil électrique. Utilisez l'outil électrique qui correspond à votre utilisation.** Si vous utilisez l'outil électrique adéquat et respectez le régime pour lequel il a été conçu, il réalisera un travail de meilleure qualité et plus sûr.
- b) **N'utilisez pas l'outil électrique s'il est impossible de l'allumer ou de l'éteindre avec l'interrupteur.** Un outil électrique qui ne peut être contrôlé par l'interrupteur représente un danger et doit être réparé.
- c) **Débranchez la fiche de la source d'alimentation et/ou le bloc-piles de l'outil électrique avant d'effectuer des réglages, de changer les accessoires ou de ranger les outils électriques.** Ces mesures de sécurité préventives réduiront les risques de démarrage accidentel de l'outil électrique.
- d) **Après utilisation, rangez l'outil électrique hors de portée des enfants et ne laissez aucune personne l'utiliser si elle n'est pas familiarisée avec les outils électriques ou ces instructions.** Les outils électriques représentent un danger entre des mains inexpertes.
- e) **Procédez à l'entretien des outils électriques. Assurez-vous que les pièces en mouvement ne sont pas désalignées ou coincées, qu'aucune pièce n'est cassée ou que l'outil électrique n'a subi**



aucun dommage pouvant affecter son bon fonctionnement. Si l'outil électrique est endommagé, faites-le réparer avant de le réutiliser. De nombreux accidents sont causés par des outils mal entretenus.

- f) **Maintenez vos outils affûtés et propres.**  
Un outil bien entretenu et aux bords bien affûtés risquera moins de se coincer et sera plus facile à maîtriser.
- g) **Utilisez l'outil électrique, ses accessoires et ses embouts, etc. conformément aux instructions, en tenant compte des conditions de travail et de la tâche à effectuer.** L'utilisation d'un outil électrique à des fins autres que celles prévues est potentiellement dangereuse.

## 5) RÉPARATION

- a) **Confiez la réparation de votre outil électrique à un réparateur qualifié qui utilise des pièces de rechange identiques.** La sécurité de l'outil électrique sera ainsi préservée.

## Règles de sécurité particulières additionnelles propres aux perceuses à percussion

- **Porter une protection pour l'ouïe lors du perçage à percussion.** L'exposition au bruit peut causer des pertes de l'ouïe.
- **Utiliser les poignées auxiliaires, si fournies avec l'outil.** La perte de contrôle peut causer des blessures.
- **Tenir l'outil par les surfaces isolées prévues à cet effet pendant toute utilisation où l'accessoire de coupe pourrait entrer en contact avec des fils électriques cachés.** Tout contact de l'organe de coupe avec un fil sous tension peut mettre les parties métalliques exposées de l'outil sous tension et électrocuter l'utilisateur.
- **Utiliser des serre-joints, ou tout autre moyen, pour fixer et immobiliser le matériau sur une surface stable.** Tenir la pièce à la main ou contre son corps offre une stabilité insuffisante qui pourrait vous en faire perdre le contrôle.
- **Porter des lunettes de protection ou tout autre dispositif de protection oculaire.** Le perçage produit des particules volantes. Ces particules peuvent causer des dommages oculaires permanents.
- **Les mèches et les outils chauffent pendant leur utilisation.** Porter des gants pour les manipuler.

- **Maintenir les poignées propres et sèches, exemptes d'huile ou de graisse. Il est recommandé d'utiliser des gants en caoutchouc.** Cela vous offrira une prise plus solide de l'outil.

## Risques résiduels

Les risques suivants sont inhérents à l'utilisation des perceuses à percussion :

- Dommages corporels par contact avec les pièces rotatives ou des parties brûlantes de l'outil.

En dépit de l'application des normes de sécurité en vigueur et de l'installation de dispositifs de sécurité, certains risques résiduels sont inévitables. Il s'agit de :

- Diminution de l'acuité auditive ;
- Risques de se pincer les doigts lors du changement d'accessoires ;
- Risques pour la santé causés par la respiration de poussières dégagées lors du travail du bois ;
- Risques de dommages corporels dus à des projections de particules ;
- Risques de dommages corporels dus à un usage prolongé.

## Marquages sur l'outil

Les pictogrammes suivants sont apposés sur l'outil :



Lisez le manuel d'instruction avant utilisation.



Portez un serre-tête antibruit.



Portez des lunettes de sécurité.

## EMPLACEMENT DE LA DATE CODÉE DE FABRICATION (FIG. 1)

La date codée de fabrication (k), qui comprend aussi l'année de fabrication, est imprimée sur le boîtier.

Exemple :

2015 XX XX

Année de fabrication

## Contenu de l'emballage

L'emballage contient :

- 1 Perceuse
- 1 Clé de mandrin (DWD024)
- 1 Tige de profondeur

- 1 Poignée latérale
- 1 Manuel d'instruction
- 1 Dessin éclaté

- Vérifiez que l'outil, les pièces ou les accessoires n'ont pas été endommagés lors du transport.
- Prenez le temps de lire et de comprendre dans son intégralité ce manuel avant d'utiliser l'outil.

## Description (fig. 1)



**AVERTISSEMENT** : ne modifiez jamais l'outil électrique ou l'une de ses pièces. Des dégâts matériels ou des blessures corporelles pourraient en résulter.

- a. Gâchette à vitesse variable
- b. Bouton de verrouillage en position de marche
- c. Levier de marche avant/arrière
- d. Mandrin
- e. Protège cordon avec porte-clés
- f. Cordon
- g. Poignée latérale
- h. Tige de réglage de profondeur
- i. Sélecteur de mode
- j. Poignée principale
- k. Emplacement de la date codée de fabrication

## USAGE PRÉVU

Ces perceuses industrielles à percussion et à vitesse variable ont été conçues pour le perçage professionnel.

**NE PAS** utiliser l'outil en milieu ambiant humide ou en présence de liquides ou de gaz inflammables.

Ces perceuses à percussion industrielles sont des outils de professionnels.

**NE PAS** les laisser à la portée des enfants. Une supervision est nécessaire auprès de tout utilisateur non expérimenté.

## Sécurité électrique

Le moteur électrique a été conçu pour une seule tension. Vérifiez toujours que l'alimentation correspond à la tension indiquée sur la plaque signalétique.



Votre outil DEWALT est à double isolation conformément à la norme EN 60745 ; un câble de mise à la terre n'est donc pas nécessaire.

Si le cordon d'alimentation est endommagé, remplacez-le par un cordon spécial disponible auprès du service après-vente DEWALT.

## Remplacement de la fiche d'alimentation (Moyen-Orient et Afrique)

Si une nouvelle fiche d'alimentation doit être montée :

- Mettre soigneusement au rebut l'ancienne fiche.
- Raccorder le fil marron à la borne de phase dans la fiche.
- Raccorder le fil bleu à la borne de neutre.



**AVERTISSEMENT** : aucun branchement ne doit être fait à la borne de terre.

Suivez les instructions de montage fournies avec des fiches de bonne qualité. Fusible recommandé : 13 A.

## Utilisation d'une rallonge

Si une rallonge s'avère nécessaire, utiliser une rallonge à trois fils homologuée et compatible avec la tension nominale de cet outil (se reporter à la section **Fiche technique**). La section minimale du conducteur est de 1.5 mm<sup>2</sup> pour une longueur maximale de 30 m.

En cas d'utilisation d'un dévidoir, dérouler systématiquement le câble sur toute sa longueur.

## ASSEMBLAGE ET RÉGLAGES



**AVERTISSEMENT** : pour réduire tout risque de dommages corporels, arrêter l'outil et débrancher l'appareil du secteur avant d'installer ou de retirer tout accessoire, avant tout réglage ou changement de configuration ou lors de réparations. S'assurer que la gâchette est bien en position d'ARRÊT. Tout démarrage accidentel pourrait causer des dommages corporels.

## Poignée latérale (fig. 1)



**AVERTISSEMENT** : pour réduire tout risque de dommages corporels, utiliser **SYSTÉMATIQUEMENT** l'outil avec sa poignée latérale installée correctement. Tout manquement à cette directive pourrait occasionner un glissement de la poignée latérale pendant l'utilisation de l'outil et entraîner la perte du contrôle de celui-ci. Maintenir l'outil fermement à deux mains pour un contrôle maximum.

Les modèles DWD024 et DWD024S sont équipés d'usine d'une poignée latérale. La poignée latérale



(g) peut être installée de façon à pouvoir servir à un droitier ou à un gaucher.

### INSTALLATION DE LA POIGNÉE LATÉRALE

1. Desserrez la poignée latérale (g) en la faisant tourner vers la gauche.
2. Faites tourner la poignée latérale sur la position désirée.
3. Resserrez la poignée latérale en la faisant tourner vers la droite.

### POUR CHANGER DE CÔTÉ

*Pour les droitiers* : insérez le dispositif de fixation de la poignée latérale sur le mandrin, avec la poignée à gauche.

*Pour les gauchers* : insérez le dispositif de fixation de la poignée latérale sur le mandrin, avec la poignée à droite.

## Levier de marche avant/arrière (fig. 1)

Le levier de marche avant/arrière (c), situé au-dessus de la gâchette (a), sert à retirer les mèches de trous étroits ou à dévisser des vis.

Pour mettre le moteur en marche arrière, relâchez d'ABORD la gâchette, puis poussez le levier vers la droite (alors que vous tenez la perceuse en position de perçage).

Après toute opération en marche arrière, remettez le levier en marche avant.

## Sélecteur de mode (fig. 2)

**AVIS** : pour prévenir tout dommage matériel, attendre l'arrêt complet de l'outil avant d'activer le bouton sélecteur de mode.

Sélectionnez le mode d'utilisation requis en poussant le sélecteur de mode (f) sur le symbole correspondant.



### MODE PERÇAGE SEULEMENT

Utilisez le mode perçage seulement pour le bois, le métal, et le plastique.



### MODE PERCUSSION SEULEMENT

Utilisez le mode percussion seulement pour le perçage à percussion de la maçonnerie, de la brique et du béton.

## Réglage de la profondeur de perçage (fig. 3)

1. Insérez le foret requis dans le mandrin.
2. Desserrez la poignée latérale (g).

3. Insérez la tige de réglage de profondeur (h) dans le trou de la molette de fixation de la poignée latérale.

4. Ajustez la profondeur de pénétration comme illustré en figure 3.

5. Resserrez la poignée latérale

## Mandrin à clé (fig. 1, 4, 5)

### DWD024

Le modèle DWD024 est équipé d'un mandrin à clé (d).

### POUR INSÉRER UNE MÈCHE OU TOUT AUTRE ACCESSOIRE

1. Ouvrez les mâchoires du mandrin en faisant tourner la bague manuellement puis y insérer l'arbre de la mèche sur une longueur d'environ 19 mm (3/4"). Resserrez la bague du mandrin manuellement.
2. Insérez la clé de mandrin dans chacun des trois trous puis serrez vers la droite. Il est important de serrer le mandrin à l'aide des trois trous.

Pour libérer la mèche, faites tourner le mandrin vers la gauche à l'aide d'un seul trou, puis desserrez le mandrin manuellement.

### RETRAIT DU MANDRIN À CLÉ (FIG. 4)

Resserrez le mandrin sur l'embout le plus court d'une clé hexagonale. À l'aide d'un marteau souple, donnez un coup sec sur la clé vers la gauche (lorsqu'on se trouve face à l'avant de l'outil). Cela desserrera le mandrin et permettra de le retirer manuellement.

### INSTALLATION DU MANDRIN À CLÉ (FIG. 5)

Vissez à fond le mandrin manuellement. Insérez l'embout le plus court d'une clé hexagonale et donnez-lui un coup sec vers la droite à l'aide d'un marteau souple.

## Mandrin automatique (fig. 1, 6–8)

### DWD024S

Pour un ajout de fonctionnalité, le modèle DWD024S est équipé d'un mandrin automatique (d).

### POUR INSÉRER UNE MÈCHE OU TOUT AUTRE ACCESSOIRE

1. Attrapez la moitié arrière du mandrin d'une main tout en tournant la moitié avant vers la gauche, comme illustré en figure 6. Tournez assez loin pour assurer que le mandrin s'ouvre suffisamment pour accepter l'accessoire désiré.
2. Insérez la mèche, ou tout autre accessoire, d'environ 19 mm (3/4") dans le mandrin puis resserrez fermement en vissant l'avant du mandrin vers la droite tout en maintenant sa moitié arrière. Lorsque le mandrin sera presque

complètement resserré, un clic se fera entendre. Après 4 à 6 clics, le mandrin sera solidement resserré autour de l'accessoire.

3. Pour libérer l'accessoire, répétez l'étape 1 ci-dessus.



**AVERTISSEMENT** : ne pas essayer de resserrer les mèches (ou tout autre accessoire) en agrippant la partie avant du mandrin tout en mettant l'outil en marche. Cela pourrait endommager le mandrin et poser des risques de dommages corporels.

#### RETRAIT DU MANDRIN AUTOMATIQUE (FIG. 7)

Resserrez le mandrin sur l'embout le plus court d'une clé hexagonale (non fournie). À l'aide d'un marteau souple ou un morceau de bois, donnez un coup sec vers la gauche sur sa partie la plus longue. Cela desserrera le mandrin et permettra de le dévisser manuellement.

#### INSTALLATION DU MANDRIN AUTOMATIQUE (FIG. 8)

Vissez à fond le mandrin manuellement. Resserrez le mandrin sur l'embout le plus court d'une clé hexagonale (non fournie), et donnez un coup sec vers la droite sur sa partie la plus longue à l'aide d'un marteau souple.

## FONCTIONNEMENT

### Consignes d'utilisation



**AVERTISSEMENT** : respectez toujours les consignes de sécurité et les réglementations en vigueur.

### Gâchette (fig. 1)

Pour démarrer la perceuse, appuyez sur la gâchette. Pour l'arrêter, relâchez la gâchette.

**REMARQUE** : utiliser une vitesse réduite pour commencer un trou sans pointeau, pour percer le métal, les plastiques ou la céramique, ou enfoncer des vis. Les vitesses élevées sont recommandées pour percer le bois et les panneaux d'agglomérés, ou lors de l'utilisation d'accessoires abrasifs ou de polissage.

#### VITESSE VARIABLE

La gâchette à vitesse variable (a) permet de contrôler la vitesse. Plus on appuie sur la gâchette, plus la vitesse de la perceuse est grande.

Pour un travail continu, maintenez la gâchette à vitesse variable appuyée, appuyez sur le bouton de verrouillage en position de marche (b) puis relâchez la gâchette.

Pour arrêter le travail continu, appuyez rapidement sur l'interrupteur puis relâchez-le. Arrêtez systématiquement l'outil après utilisation et avant de le débrancher.

### Position correcte des mains (fig. 9)



**AVERTISSEMENT** : pour réduire tout risque de dommages corporels graves, adopter **SYSTÉMATIQUEMENT** la position des mains illustrée en figure 9.



**AVERTISSEMENT** : pour réduire tout risque de dommages corporels graves, maintenir fermement et **SYSTÉMATIQUEMENT** l'outil pour anticiper toute réaction soudaine de sa part.

La position correcte des mains requiert une main sur la poignée principale (j), et l'autre sur la poignée latérale (g).

### Perçage



**AVERTISSEMENT** : pour réduire tout risque de dommages corporels graves, arrêter et débrancher l'outil avant tout réglage ou avant de retirer ou installer toute pièce ou tout accessoire.



**AVERTISSEMENT** : pour réduire tout risque de dommages corporels, s'assurer **SYSTÉMATIQUEMENT** que la pièce est ancrée ou arimée solidement. Pour percer des matériaux fins, utiliser un morceau de bois « de renfort » pour éviter de les endommager.

1. Utilisez seulement des mèches bien affûtées. Pour le BOIS, utilisez une vitesse lente et des mèches hélicoïdales, forets à trois pointes, mèches torsadées ou des emporte-pièces. Pour le MÉTAL, utilisez une vitesse réduite et des mèches hélicoïdales en acier ou des emporte-pièces. Pour la MAÇONNERIE, comme la brique, le ciment, les blocs béton, etc., utilisez des mèches à pointe de carbure conçues pour le perçage à percussion.
2. Appliquez systématiquement une certaine pression sur la mèche tout en restant dans l'alignement. Utilisez assez de pression pour que la perceuse avance, mais sans pousser trop fort pour éviter de bloquer le moteur ou dévier la mèche.
3. Maintenez fermement l'outil à deux mains pour contrôler toute action de torsion de la perceuse.



**ATTENTION** : La perceuse peut caler si on la force et causer une torsion. S'attendre systématiquement

à un blocage. Maintenir fermement la perceuse pour contrôler toute torsion et éviter tout risque de dommages corporels.

4. **SI LA PERCEUSE CALE**, c'est en général parce qu'elle est surchargée ou utilisée incorrectement. **RELÂCHEZ ALORS LA GÂCHETTE IMMÉDIATEMENT**, retirez la mèche de la pièce puis déterminez quelle est la cause du blocage. **N'APPUYEZ PAS RÉPÉTITIVEMENT SUR LA GÂCHETTE POUR TENTER DE REDÉMARRER UNE PERCEUSE BLOQUÉE. CELA POURRAIT ENDOMMAGER LA PERCEUSE.**
5. Pour minimiser tout blocage ou rupture du matériau, réduisez la pression sur la perceuse pour faciliter le passage de la mèche dans la partie finale du trou.
6. Laissez le moteur en marche alors que vous retirez la mèche du trou pour éviter tout grippage.
7. Les pointeaux sont inutiles lorsqu'on utilise une perceuse à vitesse variable. Utilisez une vitesse réduite pour commencer un trou, puis accélérez en appuyant plus fort sur la gâchette lorsque le trou est assez profond pour que la mèche ne ressorte pas.

#### PERÇAGE DU MÉTAL

Commencez à percer lentement puis augmenter la vitesse à son maximum en appliquant une pression ferme sur l'outil. Un jet fluide et régulier de débris métalliques sera indicateur d'une vitesse adéquate. Utilisez un lubrifiant de coupe pour percer les métaux, à l'exception de la fonte et du laiton qui doivent être percés à sec.

**REMARQUE** : les trous larges [de 8 mm (5/16") à 13 mm (1/2")] dans l'acier peuvent être facilités si l'on perce d'abord un trou pilote [de 4 mm (5/32") à 5 mm (3/16")].

#### PERÇAGE DU BOIS

Commencez à percer lentement puis augmenter la vitesse à son maximum en appliquant une pression ferme sur l'outil. Les trous dans le bois peuvent être faits avec des mèches hélicoïdales identiques à celles utilisées pour le métal. Ces mèches peuvent surchauffer si on ne les sort pas fréquemment pour éliminer les débris. Doublez les pièces qui pourraient éclater avec un bloc de bois.

#### PERÇAGE DE LA MAÇONNERIE

Pour percer la maçonnerie, utilisez des mèches à pointe de carbure conçues pour le perçage à percussion et assurez-vous qu'elles sont bien affûtées. Appliquez une force constante et ferme sur

l'outil pour des performances optimales. Un jet fluide et régulier de débris sera indicateur d'une vitesse adéquate.

## MAINTENANCE

Cet outil DEWALT a été conçu pour fonctionner longtemps avec un minimum de maintenance. Le fonctionnement continu et satisfaisant de l'outil dépend d'un entretien adéquat et d'un nettoyage régulier.



**AVERTISSEMENT** : pour réduire tout risque de dommages corporels, arrêter l'outil et débrancher l'appareil du secteur avant d'installer ou retirer tout accessoire, avant tout réglage ou changement de configuration ou lors de réparations. S'assurer que la gâchette est bien en position d'ARRÊT. Tout démarrage accidentel pourrait causer des dommages corporels.

## Balais de moteur

DEWALT utilise un système avant-garde de balais qui arrêtera automatiquement le perçage lorsque les balais seront usés. Ceci préviendra tout dommage sérieux au moteur. Des modules de balais sont disponibles dans les centres de réparation agréés DEWALT. Utilisez systématiquement des pièces de rechange d'origine.



## Graissage

Votre outil électrique ne nécessite pas de graissage supplémentaire.



## Nettoyage



**AVERTISSEMENT** : retirez la saleté et la poussière du logement principal en soufflant de l'air sec aussi souvent que vous remarquez une accumulation de saleté à l'intérieur et autour des orifices d'aération. Portez des lunettes de sécurité homologuées et un masque anti-poussière homologué lorsque vous effectuez cette procédure.



**AVERTISSEMENT** : n'utilisez jamais de solvants ou d'autres produits chimiques corrosifs pour nettoyer les pièces non métalliques de l'outil. Ces produits chimiques risquent d'affaiblir

les matériaux utilisés dans ces pièces. Utilisez un chiffon imbibé uniquement d'eau et de détergent doux. Ne laissez jamais un liquide pénétrer à l'intérieur de l'outil et n'immergez jamais les pièces de l'outil dans un liquide.

Pour connaître l'adresse d'un réparateur autorisé près de chez vous, prenez contact avec votre bureau DEWALT local à l'adresse indiquée dans ce manuel de l'utilisateur. Ou consultez la liste des réparateurs autorisés DEWALT et le panorama détaillé de notre SAV et contacts sur Internet à l'adresse : [www.2helpU.com](http://www.2helpU.com).

## Accessoires en option



**AVERTISSEMENT** : étant donné que les accessoires, autres que ceux fournis par DEWALT, n'ont pas été testés avec ce produit, l'utilisation de tels accessoires avec cet outil pourraient être dangereuse. Afin de réduire le risque de blessures corporelles, utilisez uniquement des accessoires recommandés par DEWALT avec ce produit.



**ATTENTION** : pour réduire tout risque de dommages corporels, utiliser systématiquement des accessoires respectant les limites de capacité indiquées dans la **Fiche technique**.

Prenez contact avec votre revendeur pour obtenir de plus amples informations sur les accessoires appropriés.

## Respect de l'environnement



Collecte sélective. Ne jetez pas ce produit avec vos ordures ménagères.

Le jour où votre produit DEWALT doit être remplacé ou que vous n'en avez plus besoin, ne le jetez pas avec vos ordures ménagères. Préparez-le pour la collecte sélective.



La collecte sélective des produits et emballages usagés permet de recycler et réutiliser leurs matériaux. La réutilisation de matériaux recyclés aide à protéger l'environnement contre la pollution et à réduire la demande en matière première.

Selon les réglementations locales, un service de collecte sélective pour les produits électriques peut être fourni de porte à porte, dans une déchetterie municipale ou sur le lieu d'achat de votre nouveau produit.

DEWALT dispose d'installations pour la collecte et le recyclage des produits DEWALT en fin de cycle de vie utile. Pour profiter de ce service, veuillez rapporter votre produit à un réparateur autorisé qui le recyclera en notre nom.

# مثقاب الحفر بالطرق المتغير السريع

## DWD024، DWD024S

**تحذير:** لتقليل خطر حدوث الإصابة، تفضل بقراءة دليل التعليمات.



### تهاتينا!

لاختيارك أداة من أدوات DEWALT. سنوات الخبرة التي تمتد خلالها عمليات تطوير وابتكار المنتجات تجعل DEWALT من أكثر الشركاء الذين يمكن الاعتماد عليهم بالنسبة لمستخدمي الأدوات الآلية المهنية.

### تحذيرات الأمان العامة للأدوات الكهربائية

**تحذير!** تفضل بقراءة جميع تحذيرات الأمان وكل التعليمات. عدم الالتزام بتابع هذه التحذيرات والتعليمات قد يؤدي إلى حدوث صعقة كهربائية، نشوب حريق، و/أو إصابة جسيمة.



### احتفظ بجميع التحذيرات والتعليمات من أجل الرجوع إليها في المستقبل

يشير المصطلح "أداة كهربائية" في التحذيرات إلى الأداة الكهربائية التي تعمل بالطاقة الكهربائية (مزودة بسلك كهربائي) أو الأداة الكهربائية التي تعمل بالبطارية (غير مزودة بسلك كهربائي).

#### 1) أمان منطقة العمل

- حافظ على منطقة العمل نظيفة ومزودة بضياء جيدة. المناطق المتكدسة بغير نظام أو المظلمة تؤدي إلى وقوع الحوادث.
- لا تقم بتشغيل الأدوات الكهربائية في الأماكن التي بها تفجيرات كان يوجد بالمكان سوائل قابلة للاشتعال أو غازات أو غبار. تؤدي الأدوات الكهربائية إلى حدوث شرر مما قد يتسبب في اشتعال الغبار أو الأبخرة.
- قم بإبعاد الأطفال والأشخاص بعيداً عن الأداة الكهربائية المشغلة. قد يؤدي تشتت الانتباه إلى فقدان تحكّمك.

#### 2) السلامة الكهربائية

- يجب أن تتوافق قوايس الأداة الكهربائية مع مصدر التيار الكهربائي. لا تقم مطلقاً بإجراء تعديل على القابيس بأي طريقة. لا تستخدم قابيس المحول مع الأدوات الكهربائية الموردة (تم تأريضها). القوايس غير المعدلة ومصادر التيار الكهربائي المتطابقة مستقل من خطر حدوث صعقة كهربائية. تجنب أي تلامس جسدي مع الأسطح الموردة أو المثبتة بالأرض كالأنابيب، والمشعات، والمواقف والثلاجات. يوجد خطر متزايد من حدوث صعقة كهربائية إذا كان جسدك مريض أو ثابت على الأرض.
- لا تتعرض الأدوات الكهربائية للأمطار أو البُلل. الماء الذي يدخل الأداة الكهربائية سيؤدي إلى زيادة خطر حدوث صعقة كهربائية.
- لا تسرع استعمال السلك. لا تستخدم مطلقاً السلك من أجل حمل الأشياء أو سحبها أو لزرع قابيس الأداة الكهربائية. حافظ على السلك بعيداً عن الحرارة، الزيوت، الحواف الحادة أو الأجزاء المتحركة. تزيد الأسلاك التالفة أو المتشابكة من خطر حدوث صعقة كهربائية.
- عند تشغيل الأداة الكهربائية خارج المنزل، استخدم سلك استئطالة ملائم للاستخدام الخارجي. استخدم السلك الملائم للاستخدام الخارجي يقلل من خطر حدوث الصعقة الكهربائية. إذا كان لا مقر من تشغيل الأداة الكهربائية في أحد الأماكن الرطبة، فاستخدم مصدر إمداد محمي بجهاز التيار المتخلف (RCD). استخدام جهاز التيار المتخلف يقلل من حدوث الصعقة الكهربائية.

| DWD024S   | DWD024    |          |                         |
|-----------|-----------|----------|-------------------------|
| 240/220   | 240/220   | V        | الجهد الكهربائي         |
| 120       | 120       | V        |                         |
| 20        | 20        |          | النوع                   |
| 750       | 750       | W        | الطاقة                  |
| 2800-0    | 2800-0    | بالبقائق | سرعة غير محملة          |
| 0-47600   | 0-47600   | بالبقائق | عدد الصدمات بدون حمولة  |
|           |           |          | الحد الأقصى لنطاق الثقب |
| 13/25/16  | 13/25/16  | mm       | الصلب/ الخشب/الخرسانة   |
| 5.2       | 5.2       | Nm       | العزم                   |
|           |           |          | محور رأس المثقاب،       |
| x1/2 بوصة | x1/2 بوصة | UNF      | بالحجم المسنن           |
| 43        | 43        | mm       | قطر الحلقة المعدنية     |
| 13        | 13        | mm       | سعة رأس المثقاب القصوى  |
| 1.6       | 1.6       | kg       | الوزن                   |

### التعريفات: تعليمات الأمان

تقدم التعريفات التالية مستوى أهمية كل كلمة تحذيرية. الرجاء قراءة الدليل والانتباه لتلك الرموز.

**خطر:** تشير هذه الكلمة إلى وجود حالة خطر وشيكة، وإذا لم يتم تفاديها، فقد تؤدي إلى الوفاة أو الإصابة الجالفة.

**تحذير:** تشير هذه الكلمة إلى وجود حالة خطر محتملة، وإذا لم يتم تفاديها، فقد تؤدي إلى الوفاة أو الإصابة الجالفة.

**تنبيه:** تشير هذه الكلمة إلى وجود حالة خطر محتملة، وإذا لم يتم تفاديها، فقد تؤدي إلى إصابة بسيطة أو متوسطة.

**ملاحظة:** تشير إلى ممارسة غير متعلقة بإصابة شخصية وبالتالي، في حال عدم تفاديها، ففقتؤدي إلى ضرر يلحق بالمتعلقات.

يشير هذا الرمز إلى خطر حدوث صعقة كهربائية.

يشير هذا الرمز إلى خطر نشوب حريق.



ز) استخدم الأداة الكهربائية والملحقات ولقم الأداة وما شابه ذلك طبقاً لتلك التعليمات مع الأخذ في الاعتبار ظروف التشغيل والعمل المراد تنفيذها. استخدم الأداة الكهربائية لعمليات مختلفة عن تلك العمليات المخصصة قد يؤدي إلى حالة خطيرة.

#### 5) الخدمة

أ) قم بخدمة الأداة الكهربائية الخاصة بك على يد فني إصلاح مؤهل باستخدام أجزاء بديلة متطابقة. سيضمن ذلك الحفاظ على أمان الأداة الكهربائية.

### قواعد الأمان الإضافية الخاصة بآلات الثقب بالدق

- قم بارتداء واقبات الأذن عند القيام بأعمال الحفر. يمكن أن يتسبب التعرض للضوضاء في ضياع حاسة السمع.
- استخدم المقابض المساعدة، في حال توفيرها مع الجهاز. قد يتسبب عدم القدرة على السيطرة في حدوث إصابة شخصية.
- قم بامسك أداة الطاقة بواسطة أسطح عازلة عند إجراء أي عملية حيث قد تتلامس أدوات القطع مع الأسلاك الخفية.
- قد تكشف أدوات القطع الملامسة لسلك "حامل للتيار" الأجزاء المعدنية لجهاز الطاقة "الحامل للتيار" ويمكن أن تصيب المشغل بصدمة كهربائية.
- استخدم المشابك أو أي وسيلة عملية أخرى لتثبيت ودعم قطعة العمل على منصة عمل ثابتة. الإمساك بقطعة العمل بواسطة اليد أو على الجسد يجعلها غير ثابتة وبالتالي قد يؤدي ذلك إلى فقدان التحكم.
- قم بارتداء نظارات حماية العين أو أي وسيلة أخرى لحماية العين. قد تتسبب عمليات الثقب إلى تطاير الرقائق. قد تؤدي الجسيمات المتطايرة إلى حدوث تلف دائم بالعين.
- تصبح اللقعات والأدوات ساخنة أثناء التشغيل. قم بارتداء القفازات عند ملامستهم.
- حافظ على المقابض جافة وخالية من الزيوت والشحوم. من الموصى به استخدام القفازات المطاطية. سوق يتيح ذلك تحكم أفضل في الأداة.

### المخاطر المتبقية

- المخاطر التالية تعتبر متصلة ومرتبطة باستخدام آلات الثقب بالدق:
- الإصابات الناجمة عن ملامسة الأجزاء الدوارة أو الأجزاء الساخنة من الأداة.
  - على الرغم من تطبيق تعليمات السلامة ذات الصلة والتزود بأجهزة الأمان، فتأكد من أن المخاطر المتبقية يتعدى تفاديها. وهذه المخاطر هي:
  - ضعف السمع.
  - خطر التعرض لعصر الأصابع عند تغيير الملحقات.
  - المخاطر الصحية الناجمة عن استنشاق الأتربة الناشئة عند العمل في الأخشاب.
  - خطر التعرض للإصابة الجسدية بسبب الجسيمات المتطايرة.
  - خطر التعرض للإصابة الشخصية بسبب الاستخدام المطول.

### العلامات على الأداة

الصور التالية موضحة على الأداة:

قم بقراءة دليل التعليمات قبل الاستخدام.



### 3) السلامة الشخصية

- أ) حافظ على انتباهك وراقب ما تقوم بفعله واستخدم حواسك العامة عند تشغيل الأداة الكهربائية. لا تستخدم الأداة الكهربائية عندما تكون متعباً أو واقع تحت تأثير المخدرات أو الكحول أو الأدوية. قد تؤدي أي لحظة من السهر أثناء تشغيل الأدوات الكهربائية إلى حدوث إصابة جسدية جسيمة.
- ب) استخدم معدات الوقاية الشخصية. قم دوماً بارتداء واقى العين. استخدم معدات الوقاية مثل كمامات الوقاية من الأتربة، وأحذية الأمان المانعة للانزلاق، والخوذة الصلبة، أو واقى الأذن للحالات ذات الصلة سيقفل من الإصابات الشخصية.
- ج) قم بمنع التشغيل بدون قصد. تأكد من أن المفتاح في وضع إيقاف التشغيل قبل التوصيل بمصدر الطاقة، و/ أو مجموعة البطارية، والتقاط أو حمل الأداة. حمل الأدوات الكهربائية أثناء وجود إصبعك على المفتاح أو تزويد الأدوات الكهربائية التي يكون مفتاحها بوضع التشغيل قد يؤدي إلى وقوع الحوادث.
- ب) قم بإخراج أي مفتاح ضبط أو مفتاح ربط قبل تشغيل الأداة الكهربائية. قد يؤدي ترك مفتاح الربط أو المفتاح بالجزء الدوار بالأداة الكهربائية إلى حدوث إصابة جسدية.
- هـ) لا تتجاوز. حافظ على ثبات موضع قدمك والتوازن طيلة الوقت. سوف يساعدك ذلك على التحكم بشكل أفضل في الأداة الكهربائية في الحالات غير المتوقعة.
- و) ارتد ملابسك بطريقة صحيحة. لا تقم بارتداء ملابس أو مجوهرات فضفاضة. حافظ على إبعاد الشعر والملابس والقفازات بعيداً عن الأجزاء المتحركة. فقد تتحشر الملابس أو المجوهرات الفضفاضة أو الشعر الطويل في الأجزاء المتحركة.
- ز) في حال توفير الأجهزة للتوصيل بوسائل استخلاص وتجميع الأتربة، فتأكد من توصيلها واستخدامها بطريقة صحيحة. استخدم وسيلة تجميع الأتربة قد يؤدي إلى تقليل المخاطر المتعلقة بالأتربة.

### 4) استعمال الأداة الكهربائية والعناية بها

- أ) لا تتعامل بالقوة مع الأداة الكهربائية. استخدم الأداة الكهربائية الملائمة للتطبيق الخاص بك. ستنتج الأداة الكهربائية الملائمة المهمة بشكل أفضل وأكثر أماناً عند المستوى الذي صممت من أجله.
- ب) لا تستخدم الأداة الكهربائية إذا كان المفتاح لا يتبدل بين وضعي التشغيل وإيقاف التشغيل. أي أداة كهربائية لا يمكن التحكم فيها بواسطة المفتاح تشكل خطورة ويجب إصلاحها.
- ج) قم بفصل القابس من مصدر الطاقة، و/ أو مجموعة البطارية من الأداة الكهربائية قبل إجراء أي عمليات ضبط، أو تغيير الملحقات، أو تخزين الأدوات الكهربائية. مثل إجراءات السلامة الوقائية هذه تعمل على تقليل خطر تشغيل الأداة الكهربائية بدون قصد.
- ب) قم بتخزين أدوات الطاقة المتوقفة عن العمل بعيداً عن متناول الأطفال ولا تدع الأشخاص غير الملمين بالأداة الكهربائية أو بتلك التعليمات يقومون بتشغيل الأداة الكهربائية. الأدوات الكهربائية خطيرة في أيدي المستخدم غير المدرب عليها.
- هـ) قم بصيانة الأدوات الكهربائية. افحص للتحرري عن أي محاذرة غير صحيحة أو التصاق للأجزاء المتحركة، أو كسر بالأجزاء وأي حالات أخرى قد تؤثر على تشغيل الأداة الكهربائية. في حال وجود التلف، قم بإصلاح الأداة الكهربائية اللازمة قبل الاستخدام. العديد من الحوادث سببها هو الصيانة السيئة للأدوات الكهربائية.
- و) حافظ على أدوات القطع حادة ونظيفة. أدوات القطع التي تتم صيانتها بطريقة صحيحة مع حواف قطع حادة تتعرض بشكل أقل للتصاق ويسهل التحكم فيها أكثر سهولة.

لا تدع الأطفال يلعبون بالأداة. يصبح الإشراف من الأشياء الضرورية عند استخدام المشغل قليل الخبرة لهذه الأداة.

قم بارتداء وافي الأذن.



## السلامة الكهربائية

تم تصميم المحرك الكهربائي لتحمل جهد كهربائي واحد فقط. افحص دوماً مصدر إمداد الطاقة المطابق للجهد الكهربائي على لوحة التصنيف.

قم بارتداء وافي الأذن.



تم تزويد الأداة الخاصة بك من DEWALT بعازل مزدوج طبقاً للمعيار EN 60745، لذا لا حاجة للسلك الأرضي.



إذا كان سلك إمداد الطاقة تالفاً، فيجب استبداله بسلك آخر معد خصيصاً متوفر لدى مراكز خدمة DEWALT.

وضع كود التاريخ (شكل 1)  
لقد تم طبع كود البيانات (K) والذي يشمل أيضاً على سنة التصنيع داخل التجويف.

مثال:

XX XX 2015  
سنة التصنيع

## استبدال قابس التيار الرئيسي (الشرق الأوسط، وإفريقيا)

إذا استدعت الضرورة تركيب قابس تيار رئيسي، فقم بالتالي:

- تخلص بأمان من القابس القديم.
- قم بتوصيل السلك البني بطرف التوصيل النشط في القابس.
- قم بتوصيل السلك الأزرق بطرف التوصيل المحايد.

**تحذير:** لم يتم إجراء أي توصيل بطرف التوصيل الأرضي.



قم بتابع التعليمات الواردة مع القوابس ذات الجودة العالية. المنصهر الموصى باستخدامه: 13 أمبير

## استخدام سلك الاستطالة

وفي حالة الاحتياج إلى مد كابل إضافي قم باستخدام كابل مد معتمد رقم 3 مناسب لدخل الطاقة الخاص بهذه المعدة (أنظر البيانات التقنية) أقل حجم للموصل 1.5 ملم 2، وأقصى طول 30 متر. عند استخدام بكرة الكابل، قم دوماً بفك الكابل تماماً.

## عمليات التجميع والضبط

**تحذير:** لخفض خطر التعرض للإصابة، قم بإيقاف تشغيل الوحدة، وفصل الأداة من مصدر الطاقة قبل تركيب المحلقات وفكها، وقبل ضبط أو تغيير الإعدادات، أو عند إجراء الإصلاحات. تأكد من أن مفتاح التشغيل في وضع OFF (إيقاف التشغيل). فداء التشغيل دون قصد قد يؤدي إلى حدوث إصابة.



## المقبض الجانبي (شكل 1)

**تحذير:** لخفض التعرض للإصابة الشخصية، قم دوماً بتشغيل الأداة مع تركيب المقبض الجانبي بطريقة صحيحة. عدم الالتزام بفعل ذلك قد يؤدي إلى انزلاق المقبض الجانبي أثناء عمل الأداة وبالتالي فقدان التحكم. قم بإمسك الأداة بكتلتا يديك لزيادة القدرة على التحكم.



يأتي المقبض الجانبي مركباً مع DWD024، وDWD024S. يمكن تركيب المقبض الجانبي (g) بما يتلاءم مع المستخدمين الذي يستخدمون اليد اليمنى واليد اليسرى (الأعسر).

### ضبط المقبض الجانبي

1. قم بفك المقبض الجانبي (g) عن طريق لفه باتجاه عكس عقارب الساعة.
2. أدر المقبض الجانبي إلى الوضع المرغوب.

## محتويات العبوة

تحتوي العبوة على:

- 1 مثقاب
- 1 رأس مثقاب بمفتاح (DWD024)
- 1 قضيب العمق
- 1 مقبض جانبي
- 1 دليل التعليمات
- 1 رسم ممتد

• افحص تحرياً عن التلف بالأداة، أو الأجزاء أو الملحقات وهو التلف الذي قد يقع أثناء النقل.

• خذ الوقت اللازم لقراءة هذا الدليل وفهمه جيداً قبل التشغيل.

## الوصف (شكل 1)

**تحذير:** لا تقم مطلقاً بتعديل الأداة الكهربائية أو أي جزء منها. فقد ينجم عن ذلك التلف أو الإصابة الشخصية.



- a. مفتاح المشغل ذو السرعة المتغيرة
- b. زر تشغيل القفل
- c. ذراع التشغيل للأمام/للخلف
- d. رأس المثقاب
- e. وافي السلك مع حامل المفتاح
- f. مجموعة السلك
- g. مقبض جانبي
- h. قضيب ضبط العمق
- i. محدد النمط
- z. المقبض الرئيسي
- K. وضع كود التاريخ

## الاستخدام المقصود

ألات الثقب بالطرق المتخصصة ذات الخدمة الشاقة مصممة لعمليات الثقب المهنية والاحترافية.

لا تستخدمه في المكان المبلل أو في وجود سوائل أو غازات قابلة للاشتعال.

ألات الثقب بالطرق ذات الخدمة الشاقة من الأدوات الآلية المهنية.



3. قم بإحكام ربط المقبض الجانبي عن طريق لفة باتجاه حركة عقارب الساعة.

#### لتغيير الجوانب

للمستخدم الذي يستعمل يده اليمنى: قم بزلق مشبك المقبض الجانبي فوق رأس المثقاب ، المقبض يصبح بالجهة اليسرى.  
للمستخدم الذي يستعمل يده اليسرى: قم بزلق مشبك المقبض الجانبي فوق رأس المثقاب ، المقبض يصبح بالجهة اليمنى.

### ذراع التشغيل للأمام/ للخلف (شكل 1)

يتم استخدام ذراع التشغيل للأمام/ للخلف (c) الموجود فوق مفتاح المشغل (a) لسحب اللقمات من الفتحات الضيقة وفك البراغي.

لعكس المحرك، حرر مفتاح المشغل أولاً، ثم ادفع الذراع إلى اليمين (يمكن رؤيته عند حمل المثقاب في وضع التشغيل).

بعد أي عمليات رجوع، قم بإعادة الذراع إلى الوضع الأمامي.

### محدد النمط (شكل 2)

ملاحظة: يجب أن إيقاف الأداة تماماً قبل تنشيط زر محدد النمط، وإلا فقد يحدث تلف بالأداة.

حدد نمط التشغيل المطلوب عن طريق زلق محدد النمط (i) إلى الرمز المتطلب.

#### نمط الثقب فقط

استخدم نمط الثقب فقط من أجل ثقب الأخشاب، المعادن والمواد البلاستيكية.

#### نمط المطرقة فقط

استخدم نمط المطرقة فقط من أجل الثقب مع الطرق في الحجارة والطوب والخرسانة.

### ضبط عمق الثقب (شكل 3)

1. أدخل لقمة الثقب في رأس المثقاب.
2. قم بفك المقبض الجانبي (g).
3. قم بتثبيت قضيب ضبط العمق (h) عبر الفتحة في مشبك المقبض الجانبي.
4. قم بضبط عمق عملية الثقب كما هو موضح في شكل 3.
5. قم بإحكام ربط المقبض الجانبي.

### رأس المثقاب مع مفتاح (شكل 1، 4، 5)

#### DWD024

يتضمن DWD024 على رأس مثقاب بمفتاح (d).

#### لإدخال لقمة المثقاب أو أي ملحق آخر

1. افتح فكوك رأس المثقاب عن طريق إدارة الحلقة يدوياً، ثم قم بإدخال ساق اللقمة بمقدار 19 ملم (3/4 بوصة) في رأس المثقاب. قم بإحكام ربط حلقة رأس المثقاب يدوياً.
2. قم بوضع مفتاح رأس المثقاب في كل فتحة من الفتحات الثلاث، وإحكام الربط باتجاه حركة الساعة. من المهم إحكام ربط رأس المثقاب في جميع الفتحات الثلاث.

لتحرير اللقمة، أدر رأس المثقاب باتجاه عكس عقارب الساعة في فتحة واحدة فقط، ثم حرر رأس المثقاب يدوياً.

### إزالة رأس المثقاب مع مفتاح (شكل 4)

قم بإحكام ربط رأس المثقاب حول الطرف الأكثر قصراً من المفتاح السداسي. باستخدام مطرقة مرنة، قم بالطرق بحدّة باتجاه عكس حركة عقارب الساعة عندما تتم مشاهدة الجزء الأمامي من الأداة. سيؤدي ذلك إلى تحرير رأس المثقاب وبالتالي فكه يدوياً.

### تركيب رأس المثقاب بمفتاح (شكل 5)

قم بتثبيت رأس المثقاب ببرغي يدوياً إلى أقصى مكان يمكن الذهاب إليه. قم بإدخال الطرف القصير من المفتاح السداسي والطرق باتجاه حركة عقارب الساعة بواسطة مطرقة مرنة.

### رأس المثقاب بدون مفتاح (شكل 8-6، 1)

#### DWD024S

يشتمل DWD024S على رأس ثقب بدون مفتاح (d) للحصول على راحة أكبر عند الاستخدام.

#### لإدخال لقمة المثقاب أو أي ملحق آخر

1. قم بإمسك النصف الخلفي من رأس المثقاب بيد واحدة واستخدم اليد الأخرى من أجل إدارة النصف الأمامي باتجاه عكس عقارب الساعة، كما هو موضح في الشكل 6. أدر بعيداً بشكل كافي حتى يمكن فتح رأس المثقاب بشكل كافي لقبول الملحق المرغوب.
2. قم بإدخال اللقمة أو أي ملحق آخر بمقدار 19 ملم (3/4 بوصة) في رأس المثقاب وإحكام الربط عن طريق الإمساك بالنصف الخلفي لرأس المثقاب وإدارة القسم الأمامي في اتجاه حركة عقارب الساعة. عندما يتم إحكام ربط رأس المثقاب جيداً، سوف تسمع صوت طقطقة تدل على التثبيت. بعد ٤-٦ أصوات طقطقة تدل على التثبيت، يكون قد تم إحكام ربط رأس المثقاب حول الملحق.
3. لتحرير الملحق، كرر الخطوة ١ المذكورة أعلاه.

**تحذير:** لا تحاول إحكام ربط لقم الحفر (أو أي ملحقات أخرى) عن طريق الإمساك بالجزء الأمامي من رأس المثقاب وتشغيل الأداة. فقد يؤدي ذلك إلى تلف رأس المثقاب وقد ينجم عنه إصابة شخصية.

### فك رأس المثقاب بدون مفتاح (شكل 7)

قم بإحكام ربط رأس المثقاب حول الطرف القصير من المفتاح السداسي (لا يأتي مع الأداة). باستخدام مطرقة مرنة أو قطعة من الخشب، قم بالطرق على الطرف الأكثر طولاً باتجاه عكس اتجاه عقارب الساعة. سيؤدي ذلك إلى تحرير رأس المثقاب وبالتالي فكه البرغي يدوياً.

### تركيب رأس المثقاب بدون مفتاح (شكل 8)

قم بتثبيت رأس المثقاب ببرغي يدوياً إلى أقصى مكان يمكن الذهاب إليه. قم بإحكام ربط الرأس حول الطرف الأقصر من المفتاح السداسي (لا يأتي مع الأداة) والطرق على الطرف الأطول باتجاه حركة عقارب الساعة بواسطة مطرقة مرنة.

### التشغيل

#### تعليمات الاستخدام

**تحذير:** التزم دوماً بتعليمات الأمان والقوانين سارية المفعول.

### مفتاح المشغل (شكل 1)

لبدء عملية الثقب، اضغط على مفتاح المشغل، لإيقاف عملية الثقب، حرر مفتاح المشغل.



**ملاحظة:** استعن بسرعات منخفضة لبدء إنشاء الثقوب بدون تخريم مركزي، الثقوب في المعدن أو البلاستيك، دفع البراعي أو ثقب السيراميك. تعد السرعات العالية أفضل لعملية الثقب في الأخشاب، والأواح التركيب واستخدام الملحقات الكاشطة وملحقات التلميع.

### السرعة المتغيرة

مفتاح المشغل ذو السرعة المتغيرة (a) يتيح لك التحكم السريع—كلما زاد الضغط على المشغل، كلما زادت سرعة الثقب.

للتشغيل المتواصل، اضغط باستمرار على مفتاح السرعة المتغيرة، اضغط على زر تشغيل القفل (b) لأعلى وحرر المفتاح.

لإيقاف التشغيل المستمر، اضغط على المفتاح لفترة وجيزة ثم حرره. قم دوماً بإيقاف تشغيل الأداة عند الانتهاء من العمل وقبل فصل القابض.

## الوضع اليدوي الصحيح (الشكل رقم 9)

**تحذير:** لتقليل خطر حدوث الإصابة الشخصية البالغة، استخدم دوماً الوضع اليدوي الملائم كما هو موضح في الشكل 9.

**تحذير:** لخفض خطر التعرض للإصابة الجسدية الجسيمة، قم دوماً بالتثبيت المحكم عند توقع حدوث رد فعل مفاجئ.

يتطلب الوضع اليدوي الملائم استخدام يد واحدة على المقبض الرئيسي (j)، مع وجود اليد الأخرى على المقبض الجانبي (g).

## عملية الثقب

**تحذير:** لتقليل خطر التعرض للإصابة الشخصية الجسيمة، قم بإيقاف تشغيل الأداة وفصلها من مصدر الطاقة قبل إجراء أي عمليات ضبط، أو إزالة/ تركيب الملحقات أو الإكسسوارات.

**تحذير:** لخفض التعرض للإصابة الشخصية، قم دوماً بالتأكد من تثبيت قطعة العمل بأداة تثبيت أو تثبيتها بإحكام. إذا كانت عملية الثقب تتم في مادة رقيقة، فاستخدم كتلة خشبية "داعمة" لمنع تلف المادة.

1. استخدم لقم الثقب الحادة فقط. بالنسبة للأخشاب، استخدم إعداد السرعة المنخفضة ولقم الثقب الملتوية، لقم الحفر، لقم بريمة الحفر الألبية، أو منشار ثاقب. بالنسبة للمعدن، استخدم إعداد سرعة منخفضة، ولقم ثقب ملتوية صلبة أو منشار ثاقب. بالنسبة لمواد البناء، مثل الطوب، الإسمنت، الكتل الخرسانية، وما شابه ذلك، استخدم اللقم ذات الطرف المستدق المصنوع من الكربيد المخصصة لعملية الحفر بالطرق.

2. قم دوماً بالضغط بشكل مستقيم على اللقمة. قم بالضغط بشكل كافي للحفاظ على لقمة الثقب في موضعها، لكن لا تقم بالدفع بقوة تكفي لإيقاف المحرك أو انحراف القطعة.

3. قم بإمسك الأداة بثبات بكتا يدك للتحكم في فعل الالتواء لعملية الثقب.

**تنبيه:** قد تتوقف عملية الثقب في حال حدوث الحمل الزائد بما يؤدي للالتواء المفاجئ. توقع دوماً حدوث التوقف. قم بإمسك المثقاب بإحكام للتحكم في فعل الالتواء وتفاذي حدوث إصابة.

4. في حال توقف المثقاب، يكون السبب في العادة راجعاً إلى تعرضه للحمل الزائد أو الاستخدام بطريقة غير ملائمة. حرر المشغل فوراً، قم بإزالة قطعة المثقاب (اللقمة) من العمل، وحدد

سبب حدوث التوقف. لا تضغط على المشغل لتشغيله وإيقافه. كمحاولة لبدء تشغيل المثقاب المتوقف عن العمل — فقد يؤدي ذلك إلى تلف المثقاب.

5. لتقليل حدوث التوقف المفاجئ أو اختراق المادة، قم بخفض معدل الضغط على المثقاب وتخفيف القطعة (اللقمة) عبر الجزء المجزأ من الفتحة.

6. حافظ على المحرك في حالة دوران أثناء سحب القطعة (اللقمة) للخارج من الفتحة التي تم ثقبها. سيساعد ذلك على منع حدوث الانحسار.

7. باستخدام آلات الثقب ذات السرعة المتغيرة، لا توجد حاجة إلى التخريم المركزي للنقطة المراد ثقبها. استخدم السرعة المنخفضة لبدء عمل الثقب والتعجيل بإشباعه عن طريق الضغط على المشغل بقوة أكبر عندما يكون الثقب عميقاً بشكل يكفي لثقبه بدون فق اللقمة للخارج.

### ثقب المعادن

قم ببدء عملية الثقب على سرعة منخفضة، ثم زيادتها لتصل إلى الطاقة الكاملة مع بذل ضغط ثابت على الأداة. يشير التدفق للسلس للرفائق المعدنية إلى معدل ثقب ملائم. استخدم شحم تزليق للقطع عند إجراء عملية ثقب المعادن. يستثنى من ذلك قوالب الحديد والنحاس السببكية التي يجب ثقبها عندما تكون جافة.

**ملاحظة:** يمكن إنشاء فتحات كبيرة بحجم [5/16 بوصة (8 ملم) إلى 1/2 بوصة (13 ملم)] في الصلب بشكل أكثر سهولة إذا كانت الفتحة الدليلية بحجم [5/32 بوصة (4 ملم) إلى 3/16 بوصة (5 ملم)] يتم ثقبها أولاً.

### ثقب الأخشاب

قم ببدء عملية الثقب على سرعة منخفضة، ثم زيادتها لتصل إلى الطاقة الكاملة مع بذل ضغط ثابت على الأداة. يمكن إنشاء ثقوب في الأخشاب بواسطة نفس آلات الثقب الملتوية المستخدمة لثقب المعادن. قد ترتفع درجة حرارة هذه اللقم بشكل مفرط إلا إذا تم سحبها للخارج بشكل متكرر للتخلص من المسافات. يجب دعم القطعة محل العمل المعرضة للانشقاق بواسطة كتلة خشبية.

### الثقب في مواد البناء

عند إجراء الثقب في مواد البناء، استخدم اللقم ذات الطرف المستدق المصنوع من الكربيد المخصصة لعملية الحفر بالطرق وتأكد من أن اللقم حادة. قم ببذل ضغط متواصل وبشكل ثابت على الأداة للتمكن من إجراء عملية الثقب على أفضل المستويات. يشير التدفق السلس من الأتربة إلى معدل ثقب ملائم.

## الصيانة

تم تصميم الأداة الكهربائية DEWALT الخاصة بك للعمل خلال فترة زمنية طويلة مع أدنى حد من الصيانة. يعتمد التشغيل المرضي بشكل منتظم على العناية الملائمة بالأداة وتنظيفها بشكل منتظم.

**تحذير:** لخفض خطر التعرض للإصابة، قم بإيقاف تشغيل الوحدة، وفصل الأداة من مصدر الطاقة قبل تركيب الملحقات وفكها، وقبل ضبط أو تغيير الإعدادات، أو عند إجراء الإصلاحات. تأكد من أن مفتاح التشغيل في وضع OFF (إيقاف التشغيل). فبده التشغيل دون قصد قد يؤدي إلى حدوث إصابة.

التجميع المنفصل للمنتجات والعبوات المستهلكة يتيح إعادة تدوير المواد واستخدامها مرة أخرى. إعادة استخدام المواد المعاد تدويرها يساعد على منع التلوث البيئي وتقليل الطلب على المواد الأولية.



قد توفر القوانين المحلية أماكن تجميع منفصلة للمنتجات الكهربائية عن النفايات المنزلية، وفي مواقع النفايات البلدية أو بواسطة بائع التجزئة عند شرائك لمنتج جديد.

## فرش المحرك

تستخدم شركة DEWALT نظام فرش متقدم يعمل بشكل أوتوماتيكي على إيقاف المثقاب عند تآكل الفرش. يؤدي ذلك إلى منع حدوث التلف البالغ بالمحرك. تتوفر مجموعات فرش جديدة لدى مراكز خدمة DEWALT المعتمدة. استخدم دوماً قطع الغيار البديلة المتطابقة.



## التشحيم

لا تحتاج الأداة الآلية إلى تشحيم إضافي.



## التنظيف

**تحذير:** قم بنفخ الأتربة والغبار خارج التجويف الرئيسي بواسطة الهواء الجاف عدد أكبر من المرات في حال مشاهدة تجمع الأتربة بداخل وحول المنافذ الهوائية. قم بارتداء واقي العين المعتمد وكمامة الأتربة المعتمدة عند تنفيذ هذا الإجراء.



**تحذير:** لا تقم مطلقاً باستخدام مذيبات أو أي مواد كيميائية قاسية أخرى لتنظيف الأجزاء غير المعدنية بالأداة. هذه المواد الكيميائية قد تضعف من المواد المستخدمة في هذه الأجزاء. استخدم قطعة قماش مبللة بالماء والصابون المعتدل فقط. لا تدع أي سائل يدخل بالأداة، ولا تقم مطلقاً بغمر أي جزء من الأداة في السائل.



## الملحقات الاختيارية

**تحذير:** ولكون الملحقات بخلاف تلك المعتمدة من قبل DEWALT، تكون غير خاضعة للاختبارات للاستخدام مع هذا المنتج، فاستخدم ملحقات مثل هذه مع الأداة قد يشكل خطورة. لخفض خطر وقوع إصابة، يجب استخدام ملحقات DEWALT الموصى بها فقط مع هذا المنتج.



**تنبيه:** لخفض معدل التعرض للإصابة، يجب استخدام الملحقات فقط التي تتناسب أحجامها مع الحدود القصوى الموضحة في البيانات الفنية.



اطلب النصح من الوكيل لمعرفة مزيد من المعلومات حول الملحقات الملائمة.

## حماية البيئة

تجمع منفصلاً، يجب عدم التخلص من هذا المنتج في النفايات المنزلية العادية.



إذا وجدت في أحد الأيام أن المنتج DEWALT الخاص بك يلزم استبداله، أو لم تعد هناك حاجة لاستخدامه، فلا تتخلص منه في النفايات المنزلية. اجعل هذا المنتج متوفر من أجل تجميعه بشكل مستقل.

|                     |   |  |   |
|---------------------|---|--|---|
| <b>Afghanistan</b>  | Ariana Hafiz Zabi Co. Ltd.<br>Dahan Bagh Squire Karte Ariana, Kabul, Afghanistan  | info@arianahafiz.com   | Tel: 93-0-799331079<br>Fax: 93-0-700007576 / 93-0-799331079                   |
| <b>Algeria</b>      | Sarl Outillage Corporation<br>08, Rue Med Boudiaf (ex TELLA Achen)<br>Cheraga, Alger  | hakim.merjadi@outillage-dz.com<br>lyes@outillage-dz.com<br>Mali.faiza@outillage-dz.com;<br>sidahmed@outillage-dz.com | Tel: 213-0-21375130<br>213-0-21375131<br>Fax: 213-0-21369667                  |
| <b>Angola</b>       | Angoferraria, Lda.<br>Rua Robert Shields, nº 61, Luanda, Angola   | angoferraria@gmail.com<br>sequiera.angoferraria@gmail.com  | Tel: 244-222-395837 / 244-222-395034<br>Fax: 244-222-394790                   |
| <b>Azerbaijan</b>   | Royalton Holdings Ltd.<br>41 Khagani St. Apt. 47 AZ1001 Baku- Azerbaijan  | jai@royaltonholdings.com<br>office@royaltonholdings.com  | Tel: 994-12-4905544<br>Fax: 994-12-5980378                                    |
| <b>Egypt</b>        | ElFarab S.A.E.<br>15-Nabil El Wakkad Street, Dokki,<br>Giza, Egypt  | elfarab@elfarab.com<br>adel.ezzat@elfarab.com<br>mahmoud.elhosseiny@elfarab.com                                      | Tel: 202-37603946<br>Fax: 202-33352796  |
| <b>Ethiopia</b>     | Seif Tewfik Sherif<br>Arada Sub City, Kebele 01/02, Global Insurance Bldg.,<br>2nd Flr., Room 43, P.O. Box 2525, Addis Ababa                  | seif@ethionet.et<br>nawanag@ethionet.et  | Tel: 251-11-1563968<br>251-11-1563969<br>Fax: 251-11-1558009                  |
| <b>Iraq</b>         | Al-Sard Co. for General Trading Ltd<br>Jbara Bldg. 3Flr. Al Rasheed St., Baghdad, Iraq  | dewalt.service@yahoo.com   | Tel: 964-18184102   |
| <b>Jordan</b>       | Amman West Stores-Bashiti<br>210 Garden St. Tia'a Ali, P.O. Box 1564<br>Tia Ali Amman 11953, Jordan   | ali@bashitistores.com<br>yousef@bashitistores.com  | Tel: 962-6-5350009<br>Fax: 962-6-5350012                                      |
| <b>Kenya</b>        | Dextron Tools Ltd.<br>P.O. Box 20121-00200, Shariff House,<br>Kimathi Street, Nairobi   | info@alibhaishariff.co.ke<br>dextron@alibhaishariff.co.ke  | Tel: 254-20-6905000<br>254-20-2358021<br>Fax: 254-20-6905111 / 254-20-6905112 |
| <b>Lebanon</b>      | Est. Shaya & Azar S.A.R.L.<br>Boulevard Jdeideh - Mar Takla - Bouchrieh .<br>P.O. Box 90545, Jdeideh, Beirut - Lebanon                        | shayazar@dm.net.lb   | Tel: 961 1 872305<br>961 1 872306<br>Fax: 961 1 872303                        |
| <b>Libya</b>        | North Africa Trading ( El Ghoul Brothers)<br>P.O. Box 348, 7 October Street 11<br>Benghazi  | maryam_farooq2003@yahoo.com<br>naqte@eim.ae<br>dewalt_libya@yahoo.com  | Tel: 218-061-3383994<br>Fax: 218-092-7640688                                  |
|                     | North Africa Trading ( El Ghoul Brothers)<br>AlBarniq DeWALT Center,<br>Mokhazin-elsukar St. ElFallah, Tripoli                                | dewalt_libya@yahoo.com   | Tel: 218-021-3606430<br>Fax: 218-092-6514813                                  |
|                     | North Africa Trading ( El Ghoul Brothers)<br>AlHilal Service Center Tawergha St., Misurata  |  | Tel: 218-091-3221408  |
| <b>Mauritius</b>    | Robert Le Marie Limited<br>Old Moka Road, Bell Village, P.O. Box 161,<br>Port Louis   | a.blackburn.rlm@rlmgroup.mu<br>jm.pierrelouis.rlm@rlmgroup.mu  | Tel: 230-212 1865<br>230-212 2847<br>Fax: 230-2080843                         |
| <b>Morocco</b>      | Ets Louis Guillaud & Cie<br>31, Rue Pierre Parent,<br>Casablanca - 21000  | boumadiane.azedine@elg.ma<br>doukkail.marouane@elg.ma  | Tel: 522-301446 / 305971 / 317815 /<br>315576<br>Fax: 522-444518 / 317888     |
| <b>Nigeria</b>      | Meridian Power Tools Ltd.<br>Gr. Floor, #1 Alhaji Masha Rd, Next to Teslim Balogun<br>Stadium, Near National Stadium Surulere, Lagos, Nigeria | braj@meridian-nigeria.com  | Tel: 234-1-7740431<br>234-1-7740410<br>Fax: 234-1-7913798                     |
| <b>Pakistan</b>     | Northern Toolings (Pvt) Ltd.-Lahore<br>86- Railway Road, Lahore - 7<br>Pakistan   | zhayee@northern.pk<br>import@northern.pk<br>sales@northern.pk  | Tel: 92-423-7651220<br>92-423-7641675<br>Fax: 92-423-7641674                  |
|                     | Northern Toolings (Pvt) Ltd.-Karachi<br>224-231 Industrial Town Plaza, Shahrah-e-Liaqat,<br>Karachi, Pakistan                                 | karachibr@northern.pk  | Tel: 92-213-2465305<br>92-213-2465307<br>Fax: 92-213-2465301                  |
|                     | Northern Toolings (Pvt) Ltd.-Taxila<br>Al-Rehman Plaza, Opposite Tehsil Court,<br>Faisal Shaheed Road, Taxila                                 | taxilabr@northern.pk   | Tel: 92-51-4545811<br>Fax: 92-51-4544194                                      |
| <b>South Africa</b> | Benray Tool Wholesalers C.C.<br>91 Turfontein Road, Stafford, Johannesburg, 2001 P.O.<br>Box 260037 EXCOM 2023, South Africa                  | dewaltservice@benray.co.za<br>zain@benray.co.za<br>shafiq@benray.co.za   | Tel: 27-11-6838350<br>Fax: 27-11-6837456                                      |
| <b>Tanzania</b>     | General Motors Investment Ltd.<br>14 Vingunguti-Nyerere Road, P.O.Box 16541,<br>Dar es Salaam, Tanzania                                       | ezra@gmi-tz.com<br>info@gmi-tz.com<br>chiwelesa@yahoo.com  | Tel: 255-22-2865022 /<br>2862661 / 2862671 / 2862659<br>Fax: 255-22-2862667   |
| <b>Tunisia</b>      | Ets. Mohamed Ghorbel<br>03 Rue 8603 Chargaia I Tunis.<br>Postal Code 2035   | slim.ghorbel@gnet.tn<br>moh.ghorbel@gnet.tn<br>mourad.ghorbel@gnet.tn  | Tel: 216-71794248<br>216-71793848<br>Fax: 216-71770759                        |
| <b>Uganda</b>       | The Building Center (U) Ltd.<br>52 Station Road, Kitgum House,<br>P.O. Box 7436 Kampala, Uganda   | bbc@africaonline.co.ug<br>chris@bbc.co.ug  | Tel: 256-041-4234567<br>256-041-4259754<br>Fax: 256-041-4236413               |
| <b>Yemen</b>        | Middle East Trading Co. (METCO)<br>5th Flr.Hayel Saeed Anam Bldg.<br>Al-Muganma St. Taiz,<br>Yemen  | tamer.metco@gmail.com<br>tamer@metcotrading.com<br>metco@metcotrading.com<br>sami@metcotrading.com                   | Tel: 967-4-213455<br>Fax: 967-4-219869  |
|                     | Middle East Trading Co. (METCO)<br>Mualla Dakka,<br>Aden  | tamer.metco@gmail.com<br>tamer@metcotrading.com<br>metco@metcotrading.com  | Tel: 967-2-222670<br>Fax: 967-2-222670  |
|                     | Middle East Trading Co. (METCO)<br>Hayel st., Sana'a,<br>Yemen  | tamer.metco@gmail.com<br>tamer@metcotrading.com<br>metco@metcotrading.com  | Tel: 967-1-204201<br>Fax: 967-1-204204  |

|   |  |  |  |   |
|---|--|--|--|---|
| <b>UAE</b>  | Black & Decker (Overseas) GmbH<br>P.O. Box 5420, Dubai   | service.me@blackdecker.com   | Tel: 971-4 8127400 / 8127406<br>Fax: 971-4 2822765                                 |   |
|   | Ideal Star Workshop Expt. Trading LLC<br>P.O. Box 37116, Al Quoz, Dubai  | idealeq@emirates.net.ae  | Tel: 971-4 3474160<br>Fax: 971-4 3474157   |   |
|   | Alebrah Engineering Service<br>P.O. Box 78954, Al Qusais, Dubai  | alebrah@eim.ae   | Tel: 971-4 2850044<br>Fax: 971-4 2844802   |   |
|   | Burj Al Madeena<br>Industrial Area No. 1, opp. Pakistani Masjid<br>P.O. Box 37635, Sharjah   | dewaltuae@hotmail.com  | Tel: 971-6 5337747<br>Fax: 971-6 5337719   |   |
|   | McCoy Middle East LLC<br>P.O. Box 25793, Sharjah   | mccoy@emirates.net.ae  | Tel: 971-6 5395931<br>Fax: 971-6 5395932   |   |
|   | McCoy Middle East LLC<br>P.O. Box 10584, Ras Al Khaimah  | mccooyrak@gmail.com  | Tel: 971-7 2277095<br>Fax: 971-7 2277096   |   |
|   | Al Sukoon Gen. Trdg. Co. LLC<br>P.O. Box 2975, Ajman   | sukoon@eim.ae  | Tel: 971-6 7435725 / 7438317<br>Fax: 971-6 7437350                                 |   |
|   | Zillion Equipment and Spare Parts Trading LLC<br>P.O. Box 19740, opp. Bin Sadal / Trimix Redymix Sanaiya, Al Ain                         | zilliontrdg@gmail.com  | Tel: 971-3 7216690<br>Fax: 971-3 7216103   |   |
|   | Light House Electrical, Abu Dhabi Branch<br>P.O. Box 120, Abu Dhabi  | dewalt_lhe@hotmail.com   | Tel: 971-2 6726131<br>Fax: 971-2 6720667   |   |
|   | Light House Electrical, Musaffah Branch<br>P.O. Box 120, Abu Dhabi   | dewalt_lhe@hotmail.com   | Tel: 971-2 5548315<br>Fax: 971-2 5540461   |   |
|   | <b>Bahrain</b>   | Alfouz Services Co. WLL<br>P.O. Box 26562, Tubli, Manama   | alfouz@batelco.com.bh  | Tel: 973 17783562 / 17879987<br>Fax: 973 17783479                         |
|   |  | Kavalani & Sons W.L.L.<br>P.O. Box 71, Sitra, Manama   | info@kavalani.com<br>pradeep@kavalani.com  | Tel: 973 17732888<br>Fax: 973 17737379                                    |
|   | <b>Kuwait</b>  | Al Omar Technical Co.<br>P.O. Box 4062, Safat 13041, Kuwait  | alexotc@usa.net  | Tel: 965 24848595 / 24840039<br>Fax: 965 24845652                         |
|   |  | Fawaz Al Zayani Establishment<br>P.O. Box 42426, Shop No.18,<br>Al Humalzi Commercial Complex, Khalifa Al Jassim, Shuwaikh | dewaltkuwait@hotmail.com   | Tel: 965 24828710<br>Fax: 965 24828716                                    |
| Fawaz Al Zayani Establishment<br>Fahaheel Industrial Area, Main St., Sanaya |  | dewaltkuwait@hotmail.com   | Tel: 965 23925830<br>Fax: 965 24828716   |   |
| <b>Oman</b>   | Al Jizzi Company LLC<br>P.O. Box 1704, P.C. 112, Ruwi  | aljizied@omantel.net.om<br>jizzi10@omantel.net.om  | Tel: 968 24832618 / 24835153<br>Fax: 968 24831334 / 24836460                       |   |
|   | Al Hassan Technical & Construction Supplies Co. LLC<br>P.O. Box 1948, P.C. 112, Ruwi   | hamriya.sr@al-hassan.com<br>abr.ar.h@al-hassan.com   | Tel: 968 24810575 / 24837054<br>Fax: 968 24810287 / 24833080                       |   |
|   | Oman Hardware Co. LLC<br>P.O. Box 635, Ruwi Postal Code 112  | omanhard@omantel.net.om  | Tel: 968 24815131<br>Fax: 968 24816491   |   |
|   | Khimji Ramdas<br>P.O. Box 19, Post Code 100, Ghala, Muscat   | bilal.m@khimjiramdas.com   | Tel: 968 24595906/ 907<br>Fax: 968 24852752  |   |
|   | Teyseer Industrial Supplies & Services Co. WLL<br>55, Al Wakalat St. (Between St. 18 & 19)<br>Salwa Industrial Area, P.O. Box 40523 Doha | manish@tissco-qatar.com<br>tool.service@tissco-qatar.com   | Tel: 974 4581536<br>Fax: 974 4682024   |   |
| <b>Qatar</b>  | Shaheen Electrical Works & Trading Co. WLL<br>Gate 34, St. 44 Industrial Area P.O. Box 9756, Doha  | shaheenelc@gmail.com   | Tel: 974 460 02 30 / 460 05 25<br>Fax: 974 460 13 38                               |   |
|   | <b>KSA</b>   | Industrial Material Organization (IMO)<br>P.O. Box 623, Rail Street, Riyadh  | service@imo.com.sa   | Tel: 966-1 4028010 Ext. 26<br>Tel: 966-1 8001245757<br>Fax: 966-1 4037970 |
| Fawaz Ebrahim Al Zayani Trading Est.<br>P.O. Box 76026, Al Raka : 31952     |  | dewaltdammam@hotmail.com   | Tel: 966-3 8140914<br>Fax: 966-3 8140824   |   |
| MSS (Al-Mojil Supply & Services)<br>P.O. Box 450, Jubail 31951              |  | mssjubail@almojilservices.com<br>alex.chang@almojilservices.com  | Tel: 966-3 3612850 / 3624487<br>Tel: 966-3 3621729<br>Fax: 966-3 3623589 / 3620783 |   |
| Opp-Gulf Bridge Library & Riyadh House                                      |  |  |  |   |
| EAC (Al Yousef Contg. & Trdg. Est.)<br>P.O. Box 30377, Jeddah -21477        |  | golamkibria77@yahoo.com  | Tel: 966-2 6519912<br>Fax: 966-2 6511153   |   |
| Mohamed Ahmed Bin Afif Est.<br>P.O. Box 530, Yanbu, Al Bahr                 |  | binaffyanbu@hotmail.com  | Tel: 966-4 3222626 / 3228867<br>Fax: 966-4 3222210                                 |   |
| Garziz Trading for Bldg Mat & Decoration<br>P.O. Box 3364, Madina           |  | agarziz@yahoo.com  | Tel: 966-4 826 14 90 / 822 76 36<br>Fax: 966-4 826 57 41                           |   |
| Sultan Garment Factory (RSC)<br>P.O. Box 29912, Riyadh 11467                |  | rservice@diginet.sa  | Tel: 966-1 4055148 / 4042889<br>Fax: 966-1 4055148                                 |   |
| Al Bawardi Tools & Hardware<br>P.O. Box 112, Dammam 31411                   |  | asattar@albwardi.com<br>nibanez@albwardi.com   | Tel: 966-3 8330780 Ext. 24<br>Tel: 966-3 8348585 Ext. 24<br>Fax: 966-3 8336303     |   |
| Al Bawardi Tools & Hardware<br>P.O. Box 68, Riyadh 11411                    |  | rbaltao@albwardi.com<br>asamad@albwardi.com  | Tel: 966-1 4484999<br>Fax: 966-3 4487877   |   |
| Al Bawardi Tools & Hardware<br>P.O. Box 16905, Jeddah 21474                 |  | sharadj@albwardi.com<br>fgaber@albwardi.com  | Tel: 966-2 6444547 / 6439035<br>Tel: 966-2 6456095<br>Fax: 966-2 6439024           |   |