

---

# DEWALT®

---

# XR®

[www.DEWALT.com](http://www.DEWALT.com)

**DCD771**

**DCD776**

---

English (*original instructions*) 3

---

Français (*traduction de la notice d'instructions originale*) 12

---

العربية: (مترجم عن التعليمات الأصلية) 23

---

Figure A

شکل A

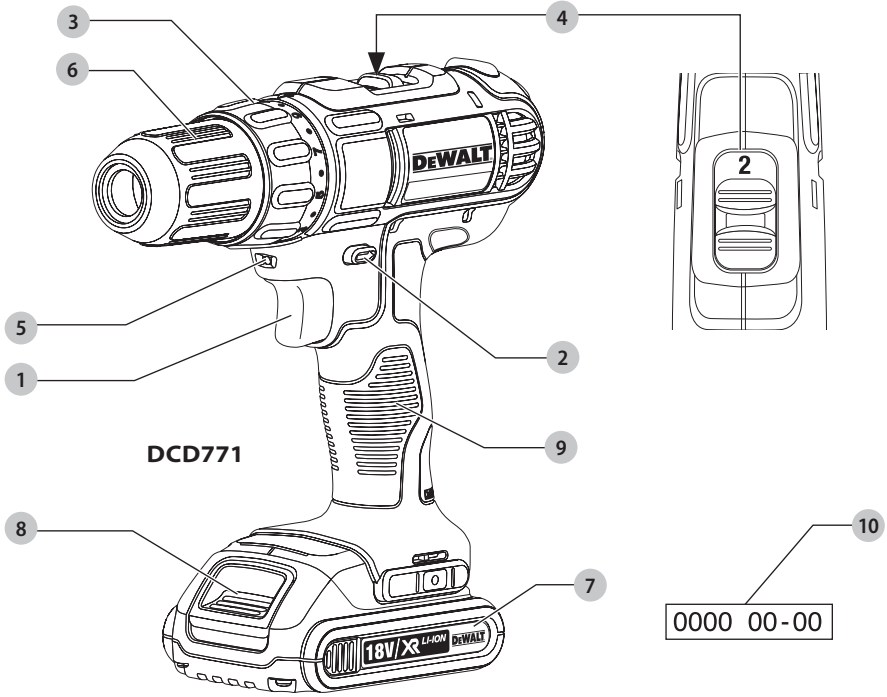


Figure B

شکل B

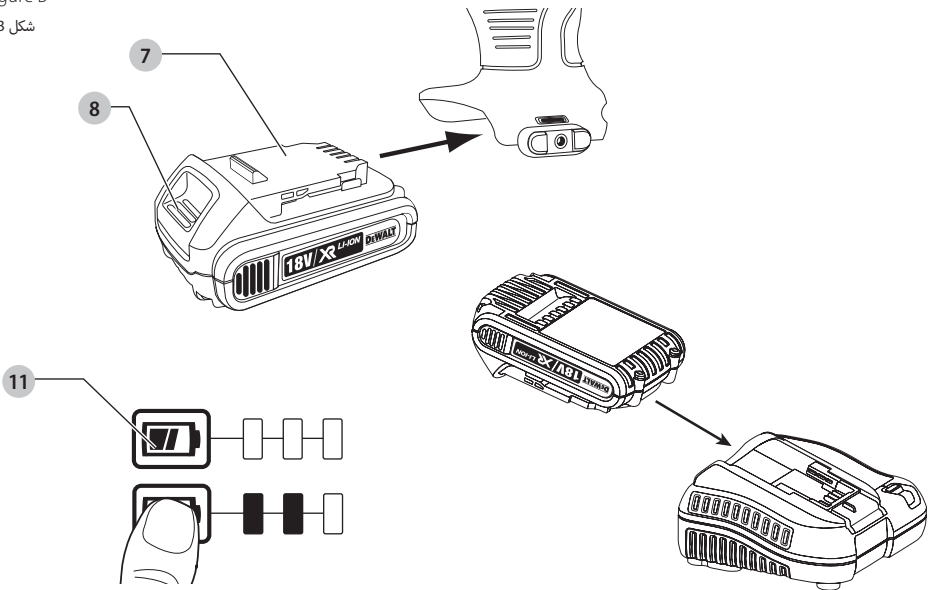


Figure C

شکل C

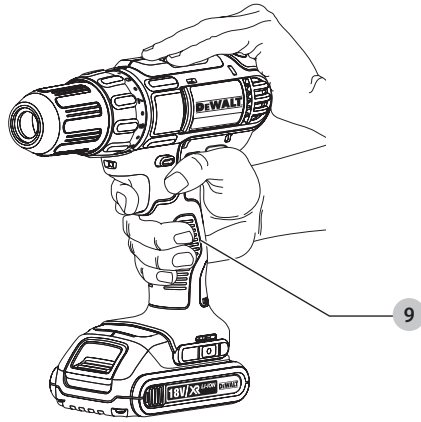


Figure D

شکل D

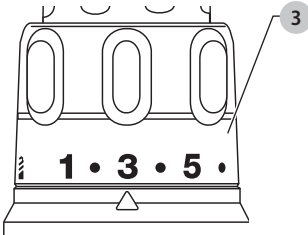


Figure E

شکل E

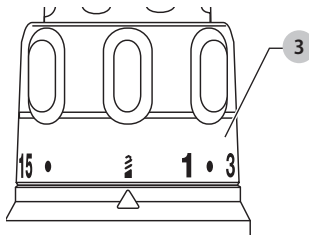


Figure F

شکل F

**DCD776**

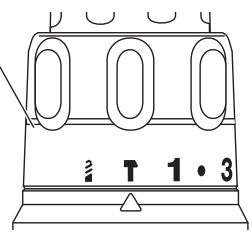


Figure G

شکل G

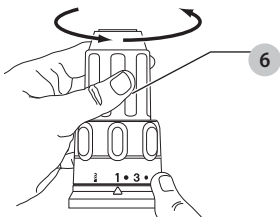


Figure H

شکل H

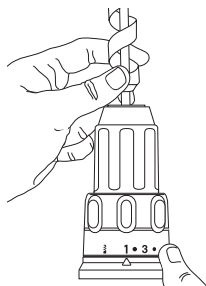
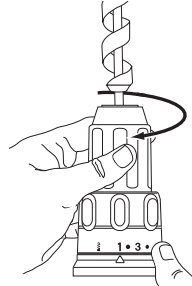


Figure I

شکل I



# CORDLESS COMPACT 13 mm (1/2") DRILL/DRIVER/ HAMMERDRILL

## DCD771, DCD776

### Congratulations!

You have chosen a DEWALT tool. Years of experience, thorough product development and innovation make DEWALT one of the most reliable partners for professional power tool users.

### Technical Data

		DCD771	DCD776
Voltage	V <sub>DC</sub>	18	18
Type		1	1/10
Battery type		Li-Ion	Li-Ion
Power output	W	300	300
No-load speed			
1st gear	min <sup>-1</sup>	0–450	0–450
2nd gear	min <sup>-1</sup>	0–1800	0–1800
Impact rate			
1st gear	min <sup>-1</sup>	–	0–7650
2nd gear	min <sup>-1</sup>	–	0–25500
Max. torque (hard/soft)	Nm	42/24	42/24
Chuck capacity	mm	13	13
Maximum drilling capacity			
Wood	mm	30	30
Metal	mm	13	13
Masonry	mm	–	13
Weight (without battery pack)	kg	1.3	1.34

### Definitions: Safety Guidelines

The definitions below describe the level of severity for each signal word. Please read the manual and pay attention to these symbols.



**DANGER:** Indicates an imminently hazardous situation which, if not avoided, **will** result in **death or serious injury**.



**WARNING:** Indicates a potentially hazardous situation which, if not avoided, **could** result in **death or serious injury**.



**CAUTION:** Indicates a potentially hazardous situation which, if not avoided, **may** result in **minor or moderate injury**.

**NOTICE:** Indicates a practice **not related to personal injury** which, if not avoided, **may** result in **property damage**.



Denotes risk of electric shock.



Denotes risk of fire.



**WARNING:** To reduce the risk of injury, read the instruction manual.

### General Power Tool Safety Warnings



**WARNING:** Read all safety warnings and all instructions. Failure to follow the warnings and instructions may result in electric shock, fire and/or serious injury.

### SAVE ALL WARNINGS AND INSTRUCTIONS FOR FUTURE REFERENCE

The term “power tool” in the warnings refers to your mains-operated (corded) power tool or battery-operated (cordless) power tool.

#### 1) Work Area Safety

- Keep work area clean and well lit.** Cluttered or dark areas invite accidents.
- Do not operate power tools in explosive atmospheres, such as in the presence of flammable liquids, gases or dust.** Power tools create sparks which may ignite the dust or fumes.
- Keep children and bystanders away while operating a power tool.** Distractions can cause you to lose control.

#### 2) Electrical Safety

- Power tool plugs must match the outlet. Never modify the plug in any way. Do not use any adapter plugs with earthed (grounded) power tools.** Unmodified plugs and matching outlets will reduce risk of electric shock.
- Avoid body contact with earthed or grounded surfaces, such as pipes, radiators, ranges and refrigerators.** There is an increased risk of electric shock if your body is earthed or grounded.
- Do not expose power tools to rain or wet conditions.** Water entering a power tool will increase the risk of electric shock.
- Do not abuse the cord. Never use the cord for carrying, pulling or unplugging the power tool. Keep cord away from heat, oil, sharp edges or moving parts.** Damaged or entangled cords increase the risk of electric shock.
- When operating a power tool outdoors, use an extension cord suitable for outdoor use.** Use of a cord suitable for outdoor use reduces the risk of electric shock.
- If operating a power tool in a damp location is unavoidable, use a residual current device (RCD) protected supply.** Use of an RCD reduces the risk of electric shock.

#### 3) Personal Safety

- Stay alert, watch what you are doing and use common sense when operating a power tool. Do not use a power tool while you are tired or under the**

Batteries				Chargers/Charge Times (Minutes)***									
Cat #	V <sub>DC</sub>	Ah	Weight (kg)	DCB104	DCB107	DCB112	DCB113	DCB115	DCB116	DCB117	DCB118	DCB132	DCB119
DCB546	18/54	6.0/2.0	1.08	60	270	170	140	90	80	40	60	90	X
DCB547	18/54	9.0/3.0	1.46	75*	420	270	220	135*	110*	60	75*	135*	X
DCB548	18/54	12.0/4.0	1.46	120	540	350	300	180	150	80	120	180	X
DCB181	18	1.5	0.35	22	70	45	35	22	22	22	22	22	45
DCB182	18	4.0	0.61	60/40**	185	120	100	60	60/45**	60/40**	60/40**	60	120
DCB183/B/G	18	2.0	0.40	30	90	60	50	30	30	30	30	30	60
DCB184/B/G	18	5.0	0.62	75/50**	240	150	120	75	75/60**	75/50**	75/50**	75	150
DCB185	18	1.3	0.35	22	60	40	30	22	22	22	22	22	40
DCB187	18	3.0	0.54	45	140	90	70	45	45	45	45	45	90
DCB189	18	4.0	0.54	60	185	120	100	60	60	60	60	60	120
DCBP034	18	1.7	0.32	27	82	50	40	27	27	27	27	27	50

\*Date code 201811475B or later

\*\*Date code 201536 or later

\*\*\*Battery charge times matrix provided for guidance only; charge times will vary depending on temperature and condition of batteries.

- influence of drugs, alcohol or medication.** A moment of inattention while operating power tools may result in serious personal injury.
- Use personal protective equipment. Always wear eye protection.** Protective equipment such as a dust mask, non-skid safety shoes, hard hat or hearing protection used for appropriate conditions will reduce personal injuries.
  - Prevent unintentional starting. Ensure the switch is in the off-position before connecting to power source and/or battery pack, picking up or carrying the tool.** Carrying power tools with your finger on the switch or energising power tools that have the switch on invites accidents.
  - Remove any adjusting key or wrench before turning the power tool on.** A wrench or a key left attached to a rotating part of the power tool may result in personal injury.
  - Do not overreach. Keep proper footing and balance at all times.** This enables better control of the power tool in unexpected situations.
  - Dress properly. Do not wear loose clothing or jewellery. Keep your hair and clothing away from moving parts.** Loose clothes, jewellery or long hair can be caught in moving parts.
  - If devices are provided for the connection of dust extraction and collection facilities, ensure these are connected and properly used.** Use of dust collection can reduce dust-related hazards.
  - Do not let familiarity gained from frequent use of tools allow you to become complacent and ignore tool safety principles.** A careless action can cause severe injury within a fraction of a second.
- Do not use the power tool if the switch does not turn it on and off.** Any power tool that cannot be controlled with the switch is dangerous and must be repaired.
  - Disconnect the plug from the power source and/or remove the battery pack, if detachable, from the power tool before making any adjustments, changing accessories, or storing power tools.** Such preventive safety measures reduce the risk of starting the power tool accidentally.
  - Store idle power tools out of the reach of children and do not allow persons unfamiliar with the power tool or these instructions to operate the power tool.** Power tools are dangerous in the hands of untrained users.
  - Maintain power tools and accessories. Check for misalignment or binding of moving parts, breakage of parts and any other condition that may affect the power tool's operation. If damaged, have the power tool repaired before use.** Many accidents are caused by poorly maintained power tools.
  - Keep cutting tools sharp and clean.** Properly maintained cutting tools with sharp cutting edges are less likely to bind and are easier to control.
  - Use the power tool, accessories and tool bits etc. in accordance with these instructions, taking into account the working conditions and the work to be performed.** Use of the power tool for operations different from those intended could result in a hazardous situation.
  - Keep handles and grasping surfaces dry, clean and free from oil and grease.** Slippery handles and grasping surfaces do not allow for safe handling and control of the tool in unexpected situations.

## 5) Battery Tool Use and Care

### 4) Power Tool Use and Care

- Do not force the power tool. Use the correct power tool for your application.** The correct power tool will do the job better and safer at the rate for which it was designed.
- Recharge only with the charger specified by the manufacturer.** A charger that is suitable for one type of battery pack may create a risk of fire when used with another battery pack.

- b) **Use power tools only with specifically designated battery packs.** Use of any other battery packs may create a risk of injury and fire.
- c) **When battery pack is not in use, keep it away from other metal objects, like paper clips, coins, keys, nails, screws or other small metal objects, that can make a connection from one terminal to another.** Shorting the battery terminals together may cause burns or a fire.
- d) **Under abusive conditions, liquid may be ejected from the battery; avoid contact. If contact accidentally occurs, flush with water. If liquid contacts eyes, additionally seek medical help.** Liquid ejected from the battery may cause irritation or burns.
- e) **Do not use a battery pack or tool that is damaged or modified.** Damaged or modified batteries may exhibit unpredictable behaviour resulting in fire, explosion or risk of injury.
- f) **Do not expose a battery pack or tool to fire or excessive temperature.** Exposure to fire or temperature above 130 °C may cause explosion.
- g) **Follow all charging instructions and do not charge the battery pack or tool outside the temperature range specified in the instructions.** Charging improperly or at temperatures outside the specified range may damage the battery and increase the risk of fire.

## 6) Service

- a) **Have your power tool serviced by a qualified repair person using only identical replacement parts.** This will ensure that the safety of the power tool is maintained.
- b) **Never service damaged battery packs.** Service of battery packs should only be performed by the manufacturer or authorized service providers.

## Drill Safety Warnings

### Safety Instructions for All Operations

- **Wear ear protectors when impact drilling.** Exposure to noise can cause hearing loss.
- **Hold the power tool by insulated gripping surfaces when performing an operation where the cutting accessory or fasteners may contact hidden wiring.** Cutting accessory or fasteners contacting a "live" wire may make exposed metal parts of the power tool "live" and could give the operator an electric shock.

### Safety Instructions When Using Long

#### Drill Bits

- **Never operate at higher speed than the maximum speed rating of the drill bit.** At higher speeds, the bit is likely to bend if allowed to rotate freely without contacting the workpiece, resulting in personal injury.
- **Always start drilling at low speed and with the bit tip in contact with the workpiece.** At higher speeds, the bit is likely to bend if allowed to rotate freely without contacting the workpiece, resulting in personal injury.

- **Apply pressure only in direct line with the bit and do not apply excessive pressure.** Bits can bend causing breakage or loss of control, resulting in personal injury.

### Additional Specific Safety Rules for Drills/ Drivers/Impact Drills

- **Use clamps or other practical way to secure and support the workpiece to a stable platform.** Holding the work by hand or against your body is unstable and may lead to loss of control.
- **Wear safety goggles or other eye protection.** Hammering and drilling operations cause chips to fly. Flying particles can cause permanent eye damage.
- **Drill bits and tools get hot during operation.** Wear gloves when touching them.
- **Do not operate this tool for long periods of time.** Vibration caused by hammer action may be harmful to your hands and arms. Use gloves to provide extra cushion and limit exposure by taking frequent rest periods.
- **Air vents often cover moving parts and should be avoided.** Loose clothes, jewellery or long hair can be caught in moving parts.

### Residual Risks

The following risks are inherent to the use of drills:

- *Injuries caused by touching the rotating parts or hot parts of the tool.*

In spite of the application of the relevant safety regulations and the implementation of safety devices, certain residual risks cannot be avoided. These are:

- *Impairment of hearing.*
- *Risk of personal injury due to flying particles.*
- *Risk of burns due to accessories becoming hot during operation.*
- *Risk of personal injury due to prolonged use.*

### SAVE THESE INSTRUCTIONS

### Chargers

DEWALT chargers require no adjustment and are designed to be as easy as possible to operate.

### Electrical Safety

The electric motor has been designed for one voltage only. Always check that the battery pack voltage corresponds to the voltage on the rating plate. Also make sure that the voltage of your charger corresponds to that of your mains.



Your DEWALT charger is double insulated in accordance with EN60335; therefore no earth wire is required.



**WARNING:** 120V units have to be operated via a fail-safe isolating transformer with an earth screen between the primary and secondary winding.

If the supply cord is damaged, it must be replaced by a specially prepared cord available through the DEWALT service organisation.

## Mains Plug Replacement (Middle East and Africa)

If a new mains plug needs to be fitted:

- Safely dispose of the old plug.
- Connect the brown lead to the live terminal in the plug.
- Connect the blue lead to the neutral terminal.



**WARNING:** No connection is to be made to the earth terminal.

Follow the fitting instructions supplied with good quality plugs.  
Recommended fuse: 3 A.

## Using an Extension Cable

An extension cord should not be used unless absolutely necessary. Use an approved extension cable suitable for the power input of your charger (see **Technical Data**). The minimum conductor size is 1 mm<sup>2</sup>; the maximum length is 30 m.

When using a cable reel, always unwind the cable completely.

## Important Safety Instructions for All Battery Chargers

**SAVE THESE INSTRUCTIONS:** This manual contains important safety and operating instructions for compatible battery chargers (refer to **Technical Data**).

- Before using charger, read all instructions and cautionary markings on charger, battery pack, and product using battery pack.



**WARNING:** Shock hazard. Do not allow any liquid to get inside charger. Electric shock may result.



**WARNING:** We recommend the use of a residual current device with a residual current rating of 30mA or less.



**CAUTION:** Burn hazard. To reduce the risk of injury, charge only DEWALT rechargeable batteries. Other types of batteries may burst causing personal injury and damage.



**CAUTION:** Children should be supervised to ensure that they do not play with the appliance.

**NOTICE:** Under certain conditions, with the charger plugged into the power supply, the exposed charging contacts inside the charger can be shorted by foreign material. Foreign materials of a conductive nature such as, but not limited to, steel wool, aluminum foil or any buildup of metallic particles should be kept away from charger cavities. Always unplug the charger from the power supply when there is no battery pack in the cavity. Unplug charger before attempting to clean

- **DO NOT attempt to charge the battery pack with any chargers other than the ones in this manual.** The charger and battery pack are specifically designed to work together.
- **These chargers are not intended for any uses other than charging DEWALT rechargeable batteries.** Any other uses may result in risk of fire, electric shock or electrocution.
- **Do not expose charger to rain or snow.**
- **Pull by plug rather than cord when disconnecting charger.** This will reduce risk of damage to electric plug and cord.

- **Make sure that cord is located so that it will not be stepped on, tripped over, or otherwise subjected to damage or stress.**
- **Do not use an extension cord unless it is absolutely necessary.** Use of improper extension cord could result in risk of fire, electric shock, or electrocution.
- **Do not place any object on top of charger or place the charger on a soft surface that might block the ventilation slots and result in excessive internal heat.** Place the charger in a position away from any heat source. The charger is ventilated through slots in the top and the bottom of the housing.
- **Do not operate charger with damaged cord or plug—** have them replaced immediately.
- **Do not operate charger if it has received a sharp blow, been dropped, or otherwise damaged in any way.** Take it to an authorised service centre.
- **Do not disassemble charger; take it to an authorised service centre when service or repair is required.** Incorrect reassembly may result in a risk of electric shock, electrocution or fire.
- **In case of damaged power supply cord the supply cord must be replaced immediately by the manufacturer, its service agent or similar qualified person to prevent any hazard.**
- **Disconnect the charger from the outlet before attempting any cleaning. This will reduce the risk of electric shock.** Removing the battery pack will not reduce this risk.
- **NEVER attempt to connect two chargers together.**
- **The charger is designed to operate on standard 230V household electrical power. Do not attempt to use it on any other voltage.** This does not apply to the vehicular charger.

## Charging a Battery (Fig. B)

1. Plug the charger into an appropriate outlet before inserting battery pack.
2. Insert the battery pack **7** into the charger, making sure the battery pack is fully seated in the charger. The red (charging) light will blink repeatedly indicating that the charging process has started.
3. The completion of charge will be indicated by the red light remaining ON continuously. The battery pack is fully charged and may be used at this time or left in the charger. To remove the battery pack from the charger, push the battery release button **8** on the battery pack.

**NOTE:** To ensure maximum performance and life of lithium-ion battery packs, charge the battery pack fully before first use.

## Charger Operation

Refer to the indicators below for the charge status of the battery pack.



## Charge Indicators



\*The red light will continue to blink, but a yellow indicator light will be illuminated during this operation. Once the battery pack has reached an appropriate temperature, the yellow light will turn off and the charger will resume the charging procedure.

The compatible charger(s) will not charge a faulty battery pack. The charger will indicate faulty battery by refusing to light.

**NOTE:** This could also mean a problem with a charger.

If the charger indicates a problem, take the charger and battery pack to be tested at an authorised service centre.

### Hot/Cold Pack Delay

When the charger detects a battery pack that is too hot or too cold, it automatically starts a Hot/Cold Pack Delay, suspending charging until the battery pack has reached an appropriate temperature. The charger then automatically switches to the pack charging mode. This feature ensures maximum battery pack life.

A cold battery pack will charge at a slower rate than a warm battery pack. The battery pack will charge at that slower rate throughout the entire charging cycle and will not return to maximum charge rate even if the battery pack warms.

### Electronic Protection System

XR Li-Ion tools are designed with an Electronic Protection System that will protect the battery pack against overloading, overheating or deep discharge.

The tool will automatically turn off if the Electronic Protection System engages. If this occurs, place the lithium-ion battery pack on the charger until it is fully charged.

### Wall Mounting

These chargers are designed to be wall mountable or to sit upright on a table or work surface. If wall mounting, locate the charger within reach of an electrical outlet, and away from a corner or other obstructions which may impede air flow. Use the back of the charger as a template for the location of the mounting screws on the wall. Mount the charger securely using drywall screws (purchased separately) at least 25.4 mm long with a screw head diameter of 7–9 mm, screwed into wood to an optimal depth leaving approximately 5.5 mm of the screw exposed. Align the slots on the back of the charger with the exposed screws and fully engage them in the slots.

### Charger Cleaning Instructions

**WARNING: Shock hazard. Disconnect the charger from the AC outlet before cleaning.** Dirt and grease may be removed from the exterior of the charger using a cloth or soft non-metallic brush. Do not use water or any cleaning solutions. Never let any liquid get inside the tool; never immerse any part of the tool into a liquid.

## Battery Packs

### Important Safety Instructions for All Battery Packs

When ordering replacement battery packs, be sure to include catalogue number and voltage.

The battery pack is not fully charged out of the carton. Before using the battery pack and charger, read the safety instructions below. Then follow charging procedures outlined.

#### READ ALL INSTRUCTIONS

- **Do not charge or use battery in explosive atmospheres, such as in the presence of flammable liquids, gases or dust.** Inserting or removing the battery from the charger may ignite the dust or fumes.
- **Never force battery pack into charger. Do not modify battery pack in any way to fit into a non-compatible charger as battery pack may rupture causing serious personal injury.**
- Charge the battery packs only in DeWALT chargers.
- **DO NOT splash or immerse in water or other liquids.**
- **Do not store or use the tool and battery pack in locations where the temperature may reach or exceed 40 °C (104 °F) (such as outside sheds or metal buildings in summer).**
- **Do not incinerate the battery pack even if it is severely damaged or is completely worn out.** The battery pack can explode in a fire. Toxic fumes and materials are created when lithium-ion battery packs are burned.
- **If battery contents come into contact with the skin, immediately wash area with mild soap and water.** If battery liquid gets into the eye, rinse water over the open eye for 15 minutes or until irritation ceases. If medical attention is needed, the battery electrolyte is composed of a mixture of liquid organic carbonates and lithium salts.
- **Contents of opened battery cells may cause respiratory irritation.** Provide fresh air. If symptoms persist, seek medical attention.



**WARNING:** Burn hazard. Battery liquid may be flammable if exposed to spark or flame.



**WARNING:** Never attempt to open the battery pack for any reason. If battery pack case is cracked or damaged, do not insert into charger. Do not crush, drop or damage battery pack. Do not use a battery pack or charger that has received a sharp blow, been dropped, run over or damaged in any way (i.e., pierced with a nail, hit with a hammer, stepped on). Electric shock or electrocution may result. Damaged battery packs should be returned to service centre for recycling.



**WARNING:** Fire hazard. Do not store or carry the battery pack so that metal objects can contact exposed battery terminals. For example, do not place the battery pack in aprons, pockets, tool boxes, product kit boxes, drawers, etc., with loose nails, screws, keys, etc.



**CAUTION:** When not in use, place tool on its side on a stable surface where it will not cause a tripping

**or falling hazard.** Some tools with large battery packs will stand upright on the battery pack but may be easily knocked over.

## Transportation



**WARNING: Fire hazard.** Transporting batteries can possibly cause fire if the battery terminals inadvertently come in contact with conductive materials. When transporting batteries, make sure that the battery terminals are protected and well insulated from materials that could contact them and cause a short circuit.

**NOTE:** Lithium-ion batteries should not be put in checked baggage.

DeWALT batteries comply with all applicable shipping regulations as prescribed by industry and legal standards which include UN Recommendations on the Transport of Dangerous Goods; International Air Transport Association (IATA) Dangerous Goods Regulations, International Maritime Dangerous Goods (IMDG) Regulations, and the European Agreement Concerning The International Carriage of Dangerous Goods by Road (ADR). Lithium-ion cells and batteries have been tested to section 38.3 of the UN Recommendations on the Transport of Dangerous Goods Manual of Tests and Criteria.

In most instances, shipping a DeWALT battery pack will be excepted from being classified as a fully regulated Class 9 Hazardous Material. In general, only shipments containing a lithium-ion battery with an energy rating greater than 100 Watt Hours (Wh) will require being shipped as fully regulated Class 9. All lithium-ion batteries have the Watt Hour rating marked on the pack. Furthermore, due to regulation complexities, DeWALT does not recommend air shipping lithium-ion battery packs alone regardless of Watt Hour rating. Shipments of tools with batteries (combo kits) can be air shipped as excepted if the Watt Hour rating of the battery pack is no greater than 100 Whr.

Regardless of whether a shipment is considered excepted or fully regulated, it is the shipper's responsibility to consult the latest regulations for packaging, labeling/marketing and documentation requirements.

The information provided in this section of the manual is provided in good faith and believed to be accurate at the time the document was created. However, no warranty, expressed or implied, is given. It is the buyer's responsibility to ensure that its activities comply with the applicable regulations.

## Storage Recommendations

1. The best storage place is one that is cool and dry away from direct sunlight and excess heat or cold. For optimum battery performance and life, store battery packs at room temperature when not in use.
2. For long storage, it is recommended to store a fully charged battery pack in a cool, dry place out of the charger for optimal results.

**NOTE:** Battery packs should not be stored completely depleted of charge. The battery pack will need to be recharged before use.

## Labels on Charger and Battery Pack

In addition to the pictographs used in this manual, the labels on the charger and the battery pack may show the following pictographs:



Read instruction manual before use.



See **Technical Data** for charging time.



Do not probe with conductive objects.



Do not charge damaged battery packs.



Do not expose to water.



Have defective cords replaced immediately.



Charge only between 4 °C and 40 °C.



Only for indoor use.



Discard the battery pack with due care for the environment.

LI-ION



Charge DeWALT battery packs only with designated DeWALT chargers. Charging battery packs other than the designated DeWALT batteries with a DeWALT charger may make them burst or lead to other dangerous situations.



Do not incinerate the battery pack.

## Battery Type

The DCD771 and DCD776 operate on 18 volt battery packs. These battery packs may be used: DCB181, DCB182, DCB183, DCB183B, DCB184, DCB184B, DCB185, DCB187, DCBP034, DCB546, DCB547, DCB548. Refer to **Technical Data** for more information.

## Package Contents

The package contains:

- 1 Drill/driver or 1 drill/driver/hammerdrill
- 1 Charger
- 1 Li-Ion battery pack (C1, D1, L1, M1, P1, S1, T1, X1, Y1 models)
- 2 Li-Ion battery packs (C2, D2, L2, M2, P2, S2, T2, X2, Y2 models)
- 3 Li-Ion battery packs (C3, D3, L3, M3, P3, S3, T3, X3, Y3 models)
- 1 Kitbox
- 1 Instruction manual

**NOTE:** Battery packs, chargers and kitboxes are not included with N models. Battery packs and chargers are not included with NT models. B models include Bluetooth® battery packs.

**NOTE:** The Bluetooth® word mark and logos are registered trademarks owned by the Bluetooth®, SIG, Inc. and any use of

such marks by DEWALT is under license. Other trademarks and trade names are those of their respective owners.

- Check for damage to the tool, parts or accessories which may have occurred during transport.
- Take the time to thoroughly read and understand this manual prior to operation.

## Markings on Tool

The following pictograms are shown on the tool:



Read instruction manual before use.

## Date Code Position (Fig. A)

The date code **10**, which also includes the year of manufacture, is printed into the housing.

Example:

2022 XX XX

Year of Manufacture

## Description (Fig. A)



**WARNING:** Never modify the power tool or any part of it. Damage or personal injury could result.

- 1 Trigger switch
- 2 Forward/reverse control button
- 3 Torque adjustment collar
- 4 Gear shifter
- 5 Worklight
- 6 Keyless chuck
- 7 Battery pack
- 8 Battery release button
- 9 Main handle

## Intended Use

These drills/drivers/hammerdrills are designed for professional drilling, percussion drilling and screwdriving applications.

**DO NOT** use under wet conditions or in the presence of flammable liquids or gases.

These drills/drivers/hammerdrills are professional power tools.

**DO NOT** let children come into contact with the tool.

Supervision is required when inexperienced operators use this tool.

- **Young children and the infirm.** This appliance is not intended for use by young children or infirm persons without supervision.
- This product is not intended for use by persons (including children) suffering from diminished physical, sensory or mental abilities; lack of experience, knowledge or skills unless they are supervised by a person responsible for their safety. Children should never be left alone with this product.

## ASSEMBLY AND ADJUSTMENTS



**WARNING:** To reduce the risk of serious personal injury, turn tool off and disconnect battery pack before making any adjustments or removing/

*installing attachments or accessories.* An accidental start-up can cause injury.



**WARNING:** Use only DEWALT battery packs and chargers.

## Inserting and Removing the Battery Pack from the Tool (Fig. B)

**NOTE:** Make sure your battery pack **7** is fully charged.

### To Install the Battery Pack into the Tool Handle

1. Align the battery pack **7** with the rails inside the tool's handle (Fig. B).
2. Slide it into the handle until the battery pack is firmly seated in the tool and ensure that you hear the lock snap into place.

### To Remove the Battery Pack from the Tool

1. Press the release button **8** and firmly pull the battery pack out of the tool handle.
2. Insert battery pack into the charger as described in the charger section of this manual.

## Fuel Gauge Battery Packs (Fig. B)

Some DEWALT battery packs include a fuel gauge which consists of three green LED lights that indicate the level of charge remaining in the battery pack.

To actuate the fuel gauge, press and hold the fuel gauge button **11**. A combination of the three green LED lights will illuminate designating the level of charge left. When the level of charge in the battery is below the usable limit, the fuel gauge will not illuminate and the battery will need to be recharged.

**NOTE:** The fuel gauge is only an indication of the charge left on the battery pack. It does not indicate tool functionality and is subject to variation based on product components, temperature and end-user application.

## Variable Speed Trigger Switch (Fig. A)

To turn the tool on, squeeze the trigger switch **1**. To turn the tool off, release the trigger switch. Your tool is equipped with a brake. The chuck will stop as soon as the trigger switch is fully released.

**NOTE:** Continuous use in variable speed range is not recommended. It may damage the switch and should be avoided.

## Forward/Reverse Control Button (Fig. A)

A forward/reverse control button **2** determines the direction of the tool and also serves as a lock-off button.

To select forward rotation, release the trigger switch and depress the forward/reverse control button on the right side of the tool.

To select reverse, depress the forward/reverse control button on the left side of the tool.

The center position of the control button locks the tool in the off position. When changing the position of the control button, be sure the trigger is released.

**NOTE:** The first time the tool is run after changing the direction of rotation, you may hear a click on start up. This is normal and does not indicate a problem.

## Torque Adjustment Collar (Fig. A)

Your tool has an adjustable torque screwdriver mechanism for driving and removing a wide array of fastener shapes and sizes and in some models, a hammer mechanism for drilling into masonry. Circling the collar **3** are numbers, a drill bit symbol, and on some models, a hammer symbol. These numbers are used to set the clutch to deliver a torque range. The higher the number on the collar, the higher the torque and the larger the fastener which can be driven. To select any of the numbers, rotate until the desired number aligns with the arrow.

## Dual Range Gearing (Fig. A)

The dual range feature of your drill/driver/hammerdrill allows you to shift gears for greater versatility.

1. To select speed 1 (high torque setting), turn the tool off and permit it to stop. Slide the gear shifter **4** forward (towards the chuck).
2. To select speed 2 (low torque setting), turn the tool off and permit it to stop. Slide the gear shifter back (away from the chuck).

**NOTE:** Do not change gears when the tool is running. Always allow the drill to come to a complete stop before changing gears. If you are having trouble changing gears, make sure that the dual range gear shifter is either completely pushed forward or completely pushed back.

## Worklight (Fig. A)

There is a worklight **5** located just above the trigger switch **1**. The worklight is activated when the trigger switch is depressed. When the trigger is released, the worklight will stay illuminated for up to 20 seconds.

**NOTE:** The worklight is for lighting the immediate work surface and is not intended to be used as a flashlight.

## Keyless Single Sleeve Chuck (Fig. G–I)

**WARNING:** Do not attempt to tighten drill bits (or any other accessory) by gripping the front part of the chuck and turning the tool on. Damage to the chuck and personal injury may result. Always lock off trigger switch and disconnect tool from power source when changing accessories.

**WARNING:** Always ensure the bit is secure before starting the tool. A loose bit may eject from tool causing possible personal injury.

Your tool features a keyless chuck **6** with one rotating sleeve for one-handed operation of the chuck. To insert a drill bit or other accessory, follow these steps.

1. Turn tool off and disconnect tool from power source.
2. Grasp the black sleeve of the chuck with one hand and use the other hand to secure the tool. Rotate the sleeve counterclockwise far enough to accept the desired accessory.

3. Insert the accessory about 19 mm (3/4") into the chuck and tighten securely by rotating the chuck sleeve clockwise with one hand while holding the tool with the other. Your tool is equipped with an automatic spindle lock mechanism. This allows you to open and close the chuck with one hand.

Be sure to tighten chuck with one hand on the chuck sleeve and one hand holding the tool for maximum tightness.

To release the accessory, repeat steps 1 and 2 above.

## OPERATION

### Instructions for Use

**WARNING:** Always observe the safety instructions and applicable regulations.

**WARNING:** To reduce the risk of serious personal injury, turn tool off and disconnect battery pack before making any adjustments or removing/installing attachments or accessories. An accidental start-up can cause injury.

### Proper Hand Position (Fig. C)

**WARNING:** To reduce the risk of serious personal injury, ALWAYS use proper hand position as shown.

**WARNING:** To reduce the risk of serious personal injury, ALWAYS hold securely in anticipation of a sudden reaction.

Proper hand position requires one hand on the top of the drill as shown, with the other hand on the main handle **9**.

### Screwdriver Operation (Fig. D)

1. Select the desired speed/torque range using the dual range gear selector to match the speed and torque of the planned operation.
2. Turn the torque adjustment collar **3** to the desired position. Lower numbers indicate lower torque settings; higher numbers indicate higher torque settings.
3. Insert the desired fastener accessory into the chuck as you would any drill bit.
4. Make some practice runs in scrap or on unseen areas to determine the proper position of the clutch collar.
5. Always start with lower torque settings, then advance to higher torque settings to avoid damage to the workpiece or fastener.

### Drill Operation (Fig. E)

**WARNING:** To reduce the risk of serious personal injury, turn tool off and disconnect tool from power source before making any adjustments or removing/installing attachments or accessories.

**WARNING: TO REDUCE THE RISK OF PERSONAL INJURY, ALWAYS ensure workpiece is anchored or clamped firmly. If drilling thin material, use a wood "back-up" block to prevent damage to the material.**

1. Turn the collar **3** to the drill symbol.
2. Select the desired speed/torque range using the gear shifter to match the speed and torque to the planned operation.


- For Wood, use twist bits, spade bits, power auger bits or hole saws. For Metal, use high-speed steel twist drill bits or hole saws. Use a cutting lubricant when drilling metals. The exceptions are cast iron and brass which should be drilled dry.
- Always apply pressure in a straight line with the bit. Use enough pressure to keep drill biting, but do not push hard enough to stall the motor or deflect the bit.
- Hold tool firmly with both hands to control the twisting action of the drill. If model is not equipped with side handle, grip drill with one hand on the handle and one hand on the battery pack.

**CAUTION:** Drill may stall if overloaded causing a sudden twist. Always expect the stall. Grip the drill firmly to control the twisting action and avoid injury.

- IF DRILL STALLS**, it is usually because it is being overloaded or improperly used. **RELEASE TRIGGER IMMEDIATELY**, remove drill bit from work, and determine cause of stalling. **DO NOT CLICK TRIGGER ON AND OFF IN AN ATTEMPT TO START A STALLED DRILL — THIS CAN DAMAGE THE DRILL.**
- To minimize stalling or breaking through the material, reduce pressure on drill and ease the bit through the last fractional part of the hole.
- Keep the motor running when pulling the bit back out of a drilled hole. This will help prevent jamming.
- With variable speed drills there is no need to center punch the point to be drilled. Use a slow speed to start the hole and accelerate by squeezing the trigger harder when the hole is deep enough to drill without the bit skipping out.

## Hammerdrill Operation (Fig. F)

### DCD776 ONLY

- Turn the collar  to the hammerdrill symbol.
- Select the high speed setting by sliding the selector back (away from the chuck).  
**IMPORTANT:** Use carbide-tipped or masonry bits only.
- Drill with just enough force on the hammer to keep it from bouncing excessively or “rising” off the bit. Too much force will cause slower drilling speeds, overheating and lower drilling rate.
- Drill straight, keeping the bit at a right angle to the work. Do not exert side pressure on the bit when drilling as this will cause clogging of the bit flutes and a slower drilling speed.
- When drilling deep holes, if the hammer speed starts to drop off, pull the bit partially out of the hole with tool still running to help clear debris from the hole.

**NOTE:** A smooth, even flow of dust from the hole indicates proper drilling rate.

## MAINTENANCE

Your DEWALT power tool has been designed to operate over a long period of time with a minimum of maintenance. Continuous satisfactory operation depends upon proper tool care and regular cleaning.



**WARNING:** To reduce the risk of serious personal injury, turn tool off and disconnect battery pack before making any adjustments or removing/installing attachments or accessories. An accidental start-up can cause injury.

The charger and battery pack are not serviceable.



## Lubrication

Your power tool requires no additional lubrication.



## Cleaning



**WARNING:** Blow dirt and dust out of the main housing with dry air as often as dirt is seen collecting in and around the air vents. Wear approved eye protection and approved dust mask when performing this procedure.



**WARNING:** Never use solvents or other harsh chemicals for cleaning the non-metallic parts of the tool. These chemicals may weaken the materials used in these parts. Use a cloth dampened only with water and mild soap. Never let any liquid get inside the tool; never immerse any part of the tool into a liquid.

## Optional Accessories



**WARNING:** Since accessories, other than those offered by DEWALT, have not been tested with this product, use of such accessories with this tool could be hazardous. To reduce the risk of injury, only DEWALT recommended accessories should be used with this product.

Consult your dealer for further information on the appropriate accessories.

## Protecting the Environment



Separate collection. Products and batteries marked with this symbol must not be disposed of with normal household waste.



Products and batteries contain materials that can be recovered or recycled reducing the demand for raw materials. Please recycle electrical products and batteries according to local provisions. Further information is available at [www.2helpU.com](http://www.2helpU.com).

## Rechargeable Battery Pack

This long life battery pack must be recharged when it fails to produce sufficient power on jobs which were easily done before. At the end of its technical life, discard it with due care for our environment:

- Run the battery pack down completely, then remove it from the tool.
- Li-Ion cells are recyclable. Take them to your dealer or a local recycling station. The collected battery packs will be recycled or disposed of properly.

# PERCEUSE/VISSEUSE À PERCUSSION COMPACTE SANS FIL

## 13 mm (1/2")

### DCD771, DCD776

## Félicitations !

Vous avez choisi un outil DEWALT. Des années d'expertise dans le développement et l'innovation de ses produits ont fait de DEWALT, le partenaire privilégié des utilisateurs professionnels d'outils électriques.

## Fiche technique

		DCD771	DCD776
Tension	V <sub>DC</sub>	18	18
Type		1	1/10
Type de batterie		Li-Ion	Li-Ion
Puissance utile	W	300	300
Régime à vide			
1 <sup>re</sup> vitesse	min <sup>-1</sup>	0–450	0–450
2 <sup>e</sup> vitesse	min <sup>-1</sup>	0–1800	0–1800
Cadence de frappe			
1 <sup>re</sup> vitesse	min <sup>-1</sup>	–	0–7650
2 <sup>e</sup> vitesse	min <sup>-1</sup>	–	0–25500
Couple max. (dur/tendre)	Nm	42/24	42/24
Capacité du mandrin	mm	13	13
Capacité de perçage max.			
Bois	mm	30	30
Métal	mm	13	13
Maçonnerie	mm	–	13
Poids (sans le bloc-piles)	kg	1,3	1,34

## Définitions : consignes de sécurité

Les définitions ci-dessous décrivent le niveau de gravité de chaque mot signalétique. Lisez le manuel de l'utilisateur et soyez attentif à ces symboles.



**DANGER** : indique une situation dangereuse imminente qui, si elle n'est pas évitée, entraînera des **blessures graves ou mortelles**.



**AVERTISSEMENT** : indique une situation dangereuse potentielle qui, si elle n'est pas évitée, pourrait entraîner des **blessures graves ou mortelles**.



**ATTENTION** : indique une situation dangereuse potentielle qui, si elle n'est pas évitée, pourrait entraîner des **blessures minimes ou modérées**.

**AVIS** : indique une pratique ne **posant aucun risque de dommages corporels**, mais qui par contre, si rien n'est fait pour l'éviter, **pourrait poser des risques de dommages matériels**.



Indique un risque d'électrocution.



Indique un risque d'incendie.



**AVERTISSEMENT** : afin de réduire le risque de blessure, lisez le manuel d'instruction.

## CONSIGNES DE SÉCURITÉ GÉNÉRALES PROPRES AUX OUTILS ÉLECTRIQUES



**AVERTISSEMENT** : veuillez lire tous les avertissements de sécurité, toutes les instructions, illustrations et spécifications fournies avec cet outil électrique. Le non respect des instructions listées ci-dessous peut conduire à des chocs électriques, des incendies et/ou de graves blessures.

## CONSERVER TOUTES CES DIRECTIVES ET CONSIGNES À TITRE DE RÉFÉRENCE

Le terme « outil électrique » mentionné dans les avertissements ci-après se rapporte aux outils alimentés sur secteur (avec fil) ou par piles (sans fil).

### 1) Sécurité – Aire de Travail

- Maintenir l'aire de travail propre et bien éclairée. Les lieux sombres ou encombrés sont propices aux accidents.
- Ne pas utiliser un outil électrique dans un milieu déflagrant, comme en présence de liquides, gaz ou poussières inflammables. Les outils électriques peuvent produire des étincelles qui pourraient enflammer toute émanation ou poussière ambiante.
- Maintenir à l'écart les enfants, ou toute autre personne, lors de l'utilisation d'un outil électrique. Toute distraction pourrait faire perdre la maîtrise de l'appareil.

### 2) Sécurité – Électricité

- La fiche électrique de l'outil doit correspondre à la prise murale. Ne modifier la fiche en aucune façon. Ne pas utiliser de fiche d'adaptation avec un outil électrique mis à la terre (masse). L'utilisation de fiches d'origine et de prises appropriées réduira tout risque de décharges électriques.
- Éviter tout contact corporel avec des éléments mis à la terre comme : tuyaux, radiateurs, cuisinières ou réfrigérateurs. Les risques de décharges électriques augmentent lorsque le corps est mis à la terre.
- Ne pas exposer les outils électriques à la pluie ou à l'humidité. Tout contact d'un outil électrique avec un liquide augmente les risques de décharges électriques.
- Ne pas utiliser le cordon de façon abusive. Ne jamais utiliser le cordon pour transporter, tirer ou débrancher un outil électrique. Protéger le cordon de toute source de chaleur, de l'huile, et de tout bord tranchant ou pièce mobile. Les cordons

Piles				Chargeurs/Durées de charge (minutes)**									
Cat #	V <sub>dc</sub>	Ah	Poids (kg)	DCB104	DCB107	DCB112	DCB113	DCB115	DCB116	DCB117	DCB118	DCB132	DCB119
DCB546	18/54	6,0/2,0	1,08	60	270	170	140	90	80	40	60	90	X
DCB547	18/54	9,0/3,0	1,46	75*	420	270	220	135*	110*	60	75*	135*	X
DCB548	18/54	12,0/4,0	1,46	120	540	350	300	180	150	80	120	180	X
DCB181	18	1,5	0,35	22	70	45	35	22	22	22	22	22	45
DCB182	18	4,0	0,61	60/40**	185	120	100	60	60/45**	60/40**	60/40**	60	120
DCB183/B/G	18	2,0	0,40	30	90	60	50	30	30	30	30	30	60
DCB184/B/G	18	5,0	0,62	75/50**	240	150	120	75	75/60**	75/50**	75/50**	75	150
DCB185	18	1,3	0,35	22	60	40	30	22	22	22	22	22	40
DCB187	18	3,0	0,54	45	140	90	70	45	45	45	45	45	90
DCB189	18	4,0	0,54	60	185	120	100	60	60	60	60	60	120
DCBP034	18	1,7	0,32	27	82	50	40	27	27	27	27	27	50

\*Code date 201811475B ou supérieur

\*\*Code date 201536 ou supérieur

\*\*\*La grille des durées de charge ne donne qu'une indication. Les durées de charge peuvent varier en fonction de la température et de l'état des batteries.

endommagés ou emmêlés augmentent les risques de décharges électriques.

- e) **En cas d'utilisation d'un outil électrique à l'extérieur, utiliser systématiquement une rallonge conçue à cet effet.** Cela diminuera tout risque de décharges électriques.
- f) **Si on ne peut éviter d'utiliser un outil électrique en milieu humide, utiliser un circuit protégé par un dispositif de courant résiduel (RCD).** Cela réduira tout risque de décharges électriques.

### 3) Sécurité Individuelle

- a) **Rester systématiquement vigilant et faire preuve de jugement lorsqu'on utilise un outil électrique. Ne pas utiliser d'outil électrique en cas de fatigue ou sous l'influence de drogues, d'alcool ou de médicaments.** Tout moment d'inattention pendant l'utilisation d'un outil électrique comporte des risques de dommages corporels graves.
- b) **Porter un équipement de protection individuel. Porter systématiquement un dispositif de protection oculaire.** Le fait de porter un masque anti-poussières, des chaussures antidérapantes, un casque de sécurité ou un dispositif de protection auditive, lorsque la situation le requiert, réduira les risques de dommages corporels.
- c) **Prévenir tout démarrage accidentel. S'assurer que l'interrupteur est en position d'arrêt avant de brancher l'outil sur le secteur et/ou à la batterie, ou de le ramasser ou le transporter.** Transporter un outil le doigt sur l'interrupteur ou brancher un outil électrique alors que l'interrupteur est en position de marche invite les accidents.
- d) **Retirer toute clé de réglage avant de démarrer l'outil.** Une clé laissée sur une pièce rotative d'un outil électrique comporte des risques de dommages corporels.
- e) **Adopter une position stable. Maintenir les pieds bien ancrés au sol et conserver son équilibre en permanence.** Cela permettra de mieux maîtriser l'outil électrique en cas de situations imprévues.

- f) **Porter des vêtements appropriés. Ne porter aucun vêtement ample ou bijou. Maintenir cheveux, vêtements et gants à l'écart des pièces mobiles, car ils pourraient s'y faire prendre.**
- g) **Lorsqu'un dispositif de connexion à un système de dépoussiérage ou d'élimination est fourni, s'assurer qu'il est branché et utilisé correctement.** L'utilisation de ces dispositifs peut réduire les risques engendrés par les poussières.
- h) **Ne pensez pas être à ce point familiarisé avec l'outil après l'avoir utilisé à de nombreuses reprises, au point de ne plus rester vigilant et d'en oublier les consignes de sécurité.** Toute action imprudente peut engendrer de graves blessures en une fraction de seconde.

### 4) Utilisation et Entretien des Outils Électriques

- a) **Ne pas forcer un outil électrique. Utiliser l'outil approprié au travail en cours.** L'outil approprié effectuera un meilleur travail, de façon plus sûre et à la vitesse pour laquelle il a été conçu.
- b) **Ne pas utiliser un outil électrique dont l'interrupteur est défectueux.** Tout appareil dont l'interrupteur est défectueux est dangereux et doit être réparé.
- c) **Débranchez la prise du secteur et/ou retirez le bloc-batterie, s'il est amovible, de l'outil électrique avant d'effectuer tout réglage, de changer un accessoire ou de ranger l'outil électrique.** Ces mesures de sécurité préventives réduisent le risque de démarrage accidentel de l'outil électrique.
- d) **Après utilisation, ranger les outils électriques hors de portée des enfants et ne permettre à aucune personne non familière avec son fonctionnement (ou sa notice d'instructions) de l'utiliser.** Les outils peuvent être dangereux entre des mains inexpérimentées.
- e) **Entretien les outils électriques. Vérifier les pièces mobiles pour s'assurer qu'elles sont bien alignées**

**et tournent librement, qu'elles sont en bon état et ne sont affectées d'aucune condition susceptible de nuire au bon fonctionnement de l'outil. En cas de dommage, faire réparer l'outil électrique avant toute nouvelle utilisation.** De nombreux accidents sont causés par des outils mal entretenus.

- f) **Maintenir tout organe de coupe propre et bien affûté.** Les outils de coupe bien entretenus et affûtés sont moins susceptibles de se coincer et sont plus faciles à contrôler.
- g) **Utiliser un outil électrique, ses accessoires, mèches, etc., conformément aux présentes directives et suivant la manière prévue pour ce type particulier d'outil électrique, en tenant compte des conditions de travail et de la tâche à effectuer.** L'utilisation d'un outil électrique à des fins autres que celles prévues est potentiellement dangereuse.
- h) **Maintenez toutes les poignées et surfaces de préhension sèches, propres et exemptes d'huile et de graisse.** Des poignées et des surfaces de préhension glissantes ne permettent pas de manipuler et de contrôler l'outil correctement en cas de situations inattendues.

## 5) Utilisation et entretien de la batterie

- a) **Recharger la batterie uniquement avec le chargeur spécifié par le fabricant.** Un chargeur propre à un certain type de batterie peut créer des risques d'incendie lorsqu'utilisé avec d'autres batteries.
- b) **Utiliser les outils électriques uniquement avec leur batterie spécifique.** L'utilisation d'autres batteries comporte des risques de dommages corporels ou d'incendie.
- c) **Après utilisation, ranger la batterie à l'écart d'objets métalliques, tels que trombones, pièces de monnaie, clés, clous, vis ou autres petits objets métalliques susceptibles de conduire l'électricité entre les bornes, car cela pose des risques de brûlures ou d'incendie.**
- d) **Si utilisée de façon abusive, la batterie pourra perdre du liquide. Éviter alors tout contact. En cas de contact accidentel, rincer abondamment à l'eau claire. En cas de contact oculaire, rincer puis consulter immédiatement un médecin.** Le liquide de la batterie peut engendrer irritation ou brûlures.
- e) **N'utilisez jamais un bloc-batterie ou un outil qui est endommagé ou qui a été modifié.** Une batterie endommagée ou altérée peut avoir un comportement imprévisible qui peut conduire à un incendie, une explosion ou un risque de blessure.
- f) **N'exposez pas le bloc-batterie ou l'outil au feu ou à des températures excessives.** L'exposition au feu ou à des températures dépassant 130 °C peut provoquer une explosion.
- g) **Respectez toutes les consignes de mise en charge et ne rechargez pas le bloc-batterie ou l'outil en dehors de la plage de températures spécifiée dans les instructions.** Une mise en charge inappropriée ou à des

températures hors de la plage spécifiée peut endommager la batterie et augmenter le risque d'incendie.

## 6) Réparation

- a) **Faire entretenir les outils électriques par un réparateur qualifié en n'utilisant que des pièces de rechange identiques.** Cela permettra de préserver l'intégrité de l'outil électrique et la sécurité de l'utilisateur.
- b) **Ne réparez jamais un bloc-batterie endommagé.** Les réparations sur les blocs-batteries ne doivent être effectuées que le fabricant ou l'un de ses prestataires de services agréés.

## AVERTISSEMENTS DE SÉCURITÉ POUR LE PERÇAGE

### Consignes de sécurité pour toutes les opérations

- **Porter une protection pour l'ouïe lors du perçage à percussion.** L'exposition au bruit peut causer des pertes de l'ouïe.
- **Tenir l'outil par les surfaces isolées prévues à cet effet pendant toute utilisation où l'accessoire de coupe pourrait entrer en contact avec des fils électriques cachés.** Tout contact de l'organe de coupe avec un fil sous tension peut mettre les parties métalliques exposées de l'outil sous tension et électrocuter l'utilisateur.

### Consignes de sécurité pour l'utilisation de mèches longues

- **Ne faites jamais fonctionner l'outil à une vitesse supérieure à la vitesse nominale maximum de la mèche.** À grande vitesse, la mèche peut plier si elle tourne dans le vide, sans être en contact avec l'ouvrage et des blessures sont possibles.
- **Commencez toujours à percer à faible vitesse alors que la pointe de la mèche est en contact avec l'ouvrage.** À grande vitesse, la mèche peut plier si elle tourne dans le vide, sans être en contact avec l'ouvrage et des blessures sont possibles.
- **N'exercez qu'une faible pression et toujours perpendiculaire sur la mèche.** Les mèches peuvent plier et casser et occasionner une perte de contrôle et des blessures.

### Règles de sécurité supplémentaires propres aux perceuses/visseuses/marteaux perforateurs

- **Utilisez les pinces ou un autre moyen pratique pour fixer et soutenir l'ouvrage sur une plateforme stable.** Tenir l'ouvrage dans vos mains ou contre le corps le rend instable et peut conduire à une perte de contrôle.
- **Portez des lunettes de sécurité ou d'autres protection pour les yeux.** Les opérations de perçage et de percage à percussion peuvent projeter des éclats. Les particules volantes peuvent provoquer des dégâts permanents aux yeux.



- **Les accessoires et l'outil peuvent devenir chauds pendant l'utilisation.** Porter des gants pour les manipuler en cas de travail générant de la chaleur, comme le perçage et le perçage à percussion des métaux.
- **Ne pas utiliser cet outil de manière prolongée.** Les vibrations causées par l'action de percussion peuvent être dangereuses pour les mains et les bras. Utiliser des gants pour une meilleure protection et limiter l'exposition en effectuant des pauses fréquentes.
- **Les événements d'aération recouvrent souvent les pièces mobiles et doivent être évités.** Les vêtements lâches, les bijoux ou les cheveux longs peuvent être happés par les parties mobiles.

## Risques résiduels

Les risques suivants sont inhérents à l'utilisation des perceuses :

- *Dommages corporels par contact avec les pièces rotatives ou des parties brûlantes de l'outil.*

Malgré l'application de la réglementation de sécurité applicable et la mise en œuvre des dispositifs de sécurité, certains risques résiduels ne peuvent pas être évités. À savoir :

- *Diminution de l'acuité auditive.*
- *Risques de dommages corporels dus à la projection de particules.*
- *Risques de brûlures provoquées par des accessoires chauffant pendant leur utilisation.*
- *Risques de dommages corporels dus à un usage prolongé.*

## CONSERVEZ CES INSTRUCTIONS

### Chargeurs

Les chargeurs DEWALT ne nécessitent aucun réglage et sont conçus pour une utilisation la plus simple possible.

### Sécurité électrique

Le moteur électrique a été conçu pour fonctionner sur une tension unique. Vérifier systématiquement que la tension de la batterie correspond bien à la tension indiquée sur la plaque signalétique. Vérifier également que la tension du chargeur correspond bien à la tension du secteur.



Votre chargeur DEWALT à double isolation est conforme à la norme EN60335 ; un branchement à la terre n'est donc pas nécessaire.



**AVERTISSEMENT** : les appareils à 127 V doivent être utilisés avec des transformateurs d'isolation à l'épreuve des pannes doté d'un écran de terre entre l'enroulement primaire et secondaire.

Si le cordon fourni est endommagé, le remplacer par un cordon spécialement conçu à cet effet, et disponible auprès du service après-vente DEWALT.

### Remplacement de la fiche d'alimentation (Moyen-Orient et Afrique)

Si une nouvelle fiche d'alimentation doit être montée :

- *Mettre soigneusement au rebut l'ancienne fiche.*
- *Raccorder le fil marron à la borne de phase dans la fiche.*
- *Raccorder le fil bleu à la borne de neutre.*



**AVERTISSEMENT** : aucun branchement ne doit être fait à la borne de terre.

Suivez les instructions de montage fournies avec des fiches de bonne qualité. Fusible recommandé : 3 A.

### Utilisation d'une rallonge

N'utiliser une rallonge qu'en cas de nécessité absolue. Utiliser une rallonge homologuée compatible avec la tension nominale du chargeur (consulter la **Caractéristiques techniques**).

La section minimale du conducteur est de 1 mm<sup>2</sup> pour une longueur maximale de 30 m.

En cas d'utilisation d'un dévidoir, dérouler systématiquement le câble sur toute sa longueur.

### Consignes de sécurité importantes propres à tous les chargeurs de batteries

**CONSERVEZ CES INSTRUCTIONS** : ce manuel contient d'importantes consignes de sécurité et de fonctionnement concernant les chargeurs de batterie compatibles (consulter les **Fiche Techniques**).

- *Avant d'utiliser le chargeur, lire toutes les instructions et les marquages d'avertissement sur le chargeur, le bloc batterie et le produit utilisant le bloc batterie.*



**AVERTISSEMENT** : risque de choc. Ne pas laisser les liquides pénétrer dans le chargeur. Risque de choc électrique.



**AVERTISSEMENT** : nous recommandons l'utilisation d'un disjoncteur différentiel avec un seuil de déclenchement de 30mA ou moins.



**ATTENTION** : risque de brûlure. Pour réduire le risque de blessures, ne charger que des batteries rechargeables DEWALT. Les autres types de batteries peuvent exploser et causer des blessures et des dégâts.





**ATTENTION** : les enfants doivent être surveiller pour s'assurer qu'ils ne jouent pas avec l'appareil.

**AVIS** : sous certaines conditions, lorsque le chargeur est branché à l'alimentation électrique, les contacts de charge exposés à l'intérieur du chargeur peuvent être mis en court-circuit par un corps étranger. Les corps étrangers de nature conductrice tels que, mais ne se limitant pas à, la laine d'acier, le papier aluminium ou toute accumulation de particules métalliques doivent être tenus éloignés des cavités du chargeur. Débranchez toujours le chargeur de la prise lorsqu'il n'y a pas de pack batterie dans la cavité. Débranchez le chargeur avant de le nettoyer.

- **NE PAS tenter de charger le bloc batterie avec un chargeur différent de ceux indiqués dans ce manuel.** Le chargeur et le bloc batterie sont spécifiquement conçus pour fonctionner ensemble.
- **Ces chargeurs ne sont pas prévus pour d'autres utilisations que la charge des batteries rechargeables DEWALT.** Toute autre utilisation peut causer un risque d'incendie, de choc électrique ou d'électrocution.
- **Ne pas exposer le chargeur à la pluie ou à la neige.**
- **Pour débrancher le chargeur, tirer sur la fiche et non sur le cordon.** Cela réduira le risque de dégât à la fiche et au cordon.

- **S'assurer que le cordon est placé de sorte qu'on ne puisse pas marcher dessus, trébucher ou l'endommager d'une autre manière.**
- **Ne pas utiliser de rallonge sauf si cela est absolument nécessaire.** Toute utilisation impropre d'une rallonge peut causer un risque d'incendie, de choc électrique ou d'électrocution.
- **Ne placez aucun objet sur le chargeur et ne le placez pas sur une surface molle qui pourrait obstruer les fentes d'aération et entraîner une chaleur interne excessive.** Éloignez le chargeur de toute source de chaleur. Le chargeur est aéré par des fentes au-dessus et au-dessous du boîtier.
- **Ne pas utiliser un chargeur ayant un cordon ou une fiche endommagés—les faire remplacer immédiatement.**
- **Ne pas utiliser le chargeur s'il a reçu un choc violent, s'il est tombé, ou s'il a été autrement endommagé de quelque manière que ce soit.** Apporter le chargeur à un centre de réparation agréé.
- **Ne pas démonter le chargeur ; l'apporter à un centre de réparation agréé lorsqu'un entretien ou une réparation est nécessaire.** Un chargeur mal réassemblé peut entraîner un risque de choc électrique, d'électrocution ou d'incendie.
- Si le cordon d'alimentation est endommagé, il doit être remplacé immédiatement par le fabricant, un agent de réparation ou une personne qualifiée similaire pour éviter tout risque.
- **Débrancher le chargeur de la prise secteur avant de procéder à son nettoyage.** Cette précaution réduira le risque de choc électrique. Le retrait du bloc batterie ne réduira pas les risques.
- **NE JAMAIS tenter de relier 2 chargeurs ensemble.**
- **Le chargeur est conçu pour être alimenté en courant électrique domestique standard 230 V. Ne pas essayer de l'utiliser avec n'importe quelle autre tension.** Cette directive ne concerne pas le chargeur pour véhicule.

## Recharger une batterie (Fig. B)

1. Branchez le chargeur dans une prise appropriée avant d'insérer le bloc-batterie.
2. Insérez le bloc-batterie  dans le chargeur en vous assurant qu'il soit parfaitement bien en place. Le voyant rouge (charge) clignote de façon répétée pour indiquer que le processus de charge a commencé.
3. La fin de la charge est indiquée par le voyant rouge restant fixe en continu. Le bloc-batterie est alors complètement rechargé et il peut soit être utilisé, soit être laissé dans le chargeur. Pour retirer le bloc-batterie du chargeur, enfoncez le bouton de libération de la batterie  sur le bloc batterie.

**REMARQUE :** Pour garantir les meilleures performances et la durée de vie des blocs-batteries Li-Ion, rechargez-les complètement avant la première utilisation.

## Fonctionnement du chargeur

Consultez les indicateurs ci-dessous pour connaître l'état de charge du bloc-batterie.

### Indicateurs de charge

	charge en cours		
	pleinement chargée		
	suspension de charge*		

\*Le voyant rouge continue à clignoter, mais un voyant jaune s'allume durant cette opération. Lorsque la batterie a retrouvé une température appropriée, le voyant jaune s'éteint et le chargeur reprend la procédure de charge.

Les chargeurs compatibles ne rechargent pas un bloc batterie défectueux. Le chargeur indique un défaut de la batterie en refusant de s'allumer.

**REMARQUE :** cela peut également signifier un problème sur un chargeur.

Si le chargeur indique un problème, portez le chargeur et le bloc batterie pour un test dans un centre d'assistance agréé.

### Délai Bloc chaud/froid

Lorsque le chargeur détecte que la batterie est trop chaude ou trop froide, il démarre automatiquement un délai Bloc Chaud/Froid, suspendant la charge jusqu'à ce que la batterie ait atteint la température adéquate. Le chargeur passe ensuite directement en mode Charge. Cette fonctionnalité permet une durée de vie maximale de la batterie.

Un bloc-batterie froid se recharge à une cadence plus lente qu'un bloc-batterie chaud. Le bloc batterie se charge à ce taux réduit pendant tout le cycle de charge et n'atteint pas le niveau de charge maximum même si la batterie se réchauffe.

### Système de protection électronique

Les outils XR Li-Ion sont conçus avec un système de protection électronique qui protège la batterie des surcharges, surchauffes ou d'être complètement déchargée.

L'outil s'éteint automatiquement si le système de protection électronique se déclenche. Si cela se produit, placez la batterie ion lithium sur le chargeur jusqu'à ce qu'elle soit complètement rechargée.

### Fixation murale

Ces chargeurs sont conçus pour être fixés au mur ou pour être posés à la verticale sur une table ou un établi. En cas de fixation au mur, placez le chargeur près d'une prise électrique et loin d'un coin ou de toute autre obstacle qui pourrait gêner le flux d'air. Utilisez l'arrière du chargeur comme gabarit pour l'emplacement des vis au mur. Fixez le chargeur à l'aide de vis pour cloisons sèches (achetées séparément) d'au moins 25,4 mm de long avec un diamètre de tête de 7 et 9 mm, vissées dans du bois à une profondeur optimale laissant ressortir environ 5,5 mm de la vis. Alignez les fentes à l'arrière du chargeur avec les vis qui dépassent et insérez-les complètement ces dernières dans les fentes.

### Consignes de nettoyage du chargeur



**AVERTISSEMENT : risque de choc. Débranchez le chargeur de la prise de courant avant le nettoyage.**

La saleté et la graisse peuvent être éliminées de l'extérieur du chargeur avec un chiffon ou une brosse souple

non métallique. N'utilisez ni eau, ni autre solution de nettoyage. Ne laissez jamais aucun liquide pénétrer à l'intérieur de l'appareil et n'immergez jamais aucune pièce de l'appareil dans aucun liquide.

## Batteries

### Consignes de sécurité importantes propres à toutes les batteries

Pour commander une batterie de rechange, s'assurer d'inclure son numéro de catalogue et sa tension.

La batterie n'est pas totalement chargée en usine. Avant d'utiliser la batterie et le chargeur, lire les consignes de sécurité ci-dessous. Puis suivre la procédure de charge ci-après.

#### LIRE TOUTES CES CONSIGNES

- **Ne pas charger ou utiliser une batterie dans un milieu déflagrant, comme en présence de liquides, gaz ou poussières inflammables.** Insérer ou retirer le bloc-pile du chargeur peut enflammer la poussière ou des émanations.
- **Ne jamais forcer le bloc batterie dans le chargeur. Ne modifier le bloc batterie d'aucune manière que ce soit pour le faire entrer sur un chargeur incompatible, car le bloc batterie peut se casser et causer de graves blessures.**
- Charger le bloc batterie uniquement dans les chargeurs DEWALT.
- **NE PAS** l'éclabousser ou l'immerger dans l'eau ou d'autres liquides.
- **Ne pas ranger ou utiliser l'outil et le bloc-piles dans des endroits où la température peut atteindre ou excéder 40 °C (104 °F) (comme dans les remises extérieures ou les bâtiments métalliques l'été).**
- **Ne pas incinérer la batterie même si elle est sévèrement endommagée ou complètement usagée, car elle pourrait exploser au contact des flammes.** Au cours de l'incinération des batteries au lithium-ion, des vapeurs et matières toxiques sont dégagées.
- **En cas de contact du liquide de la batterie avec la peau, la rincer immédiatement au savon doux et à l'eau claire.** En cas de contact oculaire, rincer l'œil ouvert à l'eau claire une quinzaine de minutes, ou jusqu'à ce que l'irritation cesse. Si des soins médicaux sont nécessaires, noter que l'électrolyte de la batterie est composé d'un mélange de carbonates organiques liquides et de sels de lithium.
- **Le contenu des cellules d'une batterie ouverte pourrait causer une irritation des voies respiratoires.** Dans cette éventualité, exposer l'individu à l'air libre. Si les symptômes persistent, consulter un médecin.



**AVERTISSEMENT : risques de brûlures.** Le liquide de la batterie pourrait s'enflammer s'il est exposé à des étincelles ou à une flamme.



**AVERTISSEMENT :** ne jamais tenter d'ouvrir le bloc batterie pour quelque raison que ce soit. Si le boîtier du bloc batterie est fissuré ou endommagé, ne pas l'insérer dans un chargeur. Ne pas écraser, laisser tomber, ou endommager le bloc batterie. Ne pas utiliser un bloc

batterie ou un chargeur ayant reçu un choc violent, étant tombé, ayant été écrasé ou endommagé de quelque façon que ce soit (par ex. percé par un clou, frappé d'un coup de marteau, piétiné). Risque de choc électrique ou d'électrocution. Les blocs batterie endommagés doivent être renvoyés à un centre de réparation pour y être recyclés.



**AVERTISSEMENT : risque d'incendie. Ne rangez et ne transportez pas le bloc-batterie s'il est possible que des objets métalliques entrent en contact avec les bornes de la batterie.** Ne placez par exemple pas le bloc-batterie dans des tabliers, poches, boîtes à outils, boîtes de kits d'accessoires, tiroirs, etc. en présence de clous, vis, clés, etc.



**ATTENTION : après utilisation, ranger l'outil, à plat, sur une surface stable là où il ne pourra ni faire tomber ni faire trébucher personne.** Certains outils équipés d'un gros bloc batterie peuvent tenir à la verticale sur celui-ci, mais manquent alors de stabilité.

### Transport



**AVERTISSEMENT : risque d'incendie.** Le transport des batteries peut causer un incendie si les bornes de la batterie entrent accidentellement en contact avec des matériaux conducteurs. Lors du transport des batteries, assurez-vous que les bornes de la batterie sont protégées et bien isolées des matériaux avec lesquels elles pourraient entrer en contact et qui pourraient provoquer un court-circuit.

**REMARQUE :** les batteries Lithium-ion ne doivent pas être transportées dans des bagages enregistrés.

Les batteries DEWALT sont conformes à toutes les réglementations d'expédition applicables comme prescrit par les normes industrielles et juridiques qui incluent les recommandations de l'ONU pour le transport des marchandises dangereuses, les réglementations relatives aux marchandises dangereuses de l'International Air Transport Association (IATA), les réglementations de l'International Maritime Dangerous Goods (IMDG) et l'accord européen concernant le transport international de marchandises dangereuses sur route (ADR). Les cellules et les batteries ion lithium ont été testées conformément à la section 38,3 des recommandations de l'ONU pour les tests et critères relatifs au transport des marchandises dangereuses.

Dans la plupart des cas, l'envoi d'un bloc-batterie DEWALT ne sera pas soumis à la classification réglementée de classe 9 pour les matières dangereuses. En règle générale, seuls les envois contenant une batterie Lithium-Ion d'une énergie nominale supérieure à 100 Watts/heure (Wh) nécessitent une expédition réglementée de classe 9. L'énergie nominale en Watts/heure de toutes les batteries Lithium-Ion est indiquée sur l'emballage. De plus, en raison de la complexité de la réglementation, DEWALT ne recommande pas l'expédition aérienne de blocs-batteries seuls, peu importe le wattage/heure nominal. Les envois d'outil avec batterie (kit combiné) peuvent être faits par avion si le wattage/heure nominal du bloc-batterie n'excède pas 100 Wh.

Que l'expédition soit exemptée ou réglementée, l'expéditeur a la responsabilité intégrale de consulter les dernières réglementations relatives à l'emballage, à l'étiquetage/au marquage et aux exigences de documentation.

Les informations fournies dans cette section du manuel sont fournies en bonne foi et sont considérées précises au moment de la rédaction de ce document. Toutefois, aucune garantie explicite ou implicite ne peut être fournie. L'acheteur a la responsabilité de s'assurer que ses activités sont conformes aux réglementations applicables.

## Recommandations de stockage

1. Le lieu idéal de rangement est un lieu frais et sec, à l'abri de toute lumière solaire directe et de tout excès de température. Pour des performances et une durée de vie optimales, entreposer les batteries à température ambiante après utilisation.
2. Pour un stockage prolongé, il est recommandé de conserver la batterie complètement chargée dans un lieu frais et sec, hors du chargeur pour de meilleurs résultats.

**REMARQUE :** les blocs batterie ne doivent pas être stockés complètement déchargés. Le bloc batterie devra être rechargé avant l'utilisation.

## Étiquettes sur le chargeur et la batterie

En plus des pictogrammes utilisés dans ce manuel, les étiquettes sur le chargeur et le bloc batterie peuvent montrer les pictogrammes suivants :



Lire la notice d'instructions avant toute utilisation.



Consulter la **Fiche technique** pour les temps de charge.



Ne pas mettre en contact avec des objets conducteurs.



Ne pas recharger une batterie endommagée.



Ne pas exposer à l'eau.



Remplacer systématiquement tout cordon endommagé.



Recharger seulement entre 4 °C et 40 °C.



Utiliser uniquement à l'intérieur.



Mettre la batterie au rebut conformément à la réglementation en matière d'environnement.



Recharger les blocs batterie DEWALT uniquement avec les chargeurs DEWALT appropriés. La recharge des blocs batterie différents des batteries DEWALT appropriées avec un chargeur DEWALT peut entraîner leur explosion ou d'autres situations dangereuses.



Ne jetez pas le bloc batterie au feu.

## Type de Batterie

Les modèles DCD771 et DCD776 fonctionnent avec un bloc batterie de 18 volts.

Ces blocs batterie peuvent être utilisés : DCB122, DCB124, DCB125, DCB127, DCB181, DCB182, DCB183, DCB183B, DCB184, DCB184B, DCB185, DCB187, DCB189, DCB546, DCB547, DCB548. Consultez les **Caractéristiques techniques** pour plus d'informations.

## Contenu de l'emballage

Ce carton comprend :

- 1 Perceuse/visseuse ou 1 perceuse/visseuse à percussion
- 1 Chargeur
- 1 Bloc batterie Li-ion (C1, D1, E1, G1, H1, L1, M1, P1, Q1, S1, T1, U1, X1, Y1, Z1 modèles)
- 2 Blocs batterie Li-ion (C2, D2, E2, G2, H2, L2, M2, P2, Q2, S2, T2, U2, X2, Y2, Z2 modèles)
- 3 Blocs batterie Li-ion (C3, D3, E3, G3, H3, L3, M3, P3, Q3, S3, T3, U3, X3, Y3, Z3 modèles)
- 1 Notice d'instructions

**REMARQUE :** les batteries, les chargeurs et les coffrets de transport ne sont pas fournis avec les modèles N. Les batteries et les chargeurs ne sont pas fournis avec les modèles NT. Les modèles B intègrent des batteries avec fonction Bluetooth®.

**REMARQUE :** la marque et les logos Bluetooth® sont des marques déposées appartenant à Bluetooth®, SIG, Inc. et DEWALT les utilise sous licence. Les autres marques et noms commerciaux appartiennent à leur propriétaires respectifs.

- Vérifier que l'appareil et ses pièces ou accessoires n'ont pas été endommagés lors du transport.
- Prendre le temps de lire attentivement et comprendre cette notice d'instructions avant toute utilisation de l'appareil.

## Étiquettes sur l'appareil

On trouve les diagrammes suivants sur l'outil :



Lire la notice d'instructions avant toute utilisation.

## Emplacement de la Date Codée de Fabrication (Fig. A)

La date codée de fabrication **10**, qui comprend aussi l'année de fabrication, est imprimée sur le boîtier.

Exemple :

2022 XX XX

Année de fabrication

## Description (Fig. A)



**AVERTISSEMENT** : ne jamais modifier l'outil électrique ni aucun de ses composants. Il y a risques de dommages corporels ou matériels.

- 1 Gâchette
- 2 Bouton de contrôle vissage/dévisissage
- 3 Bague de réglage du couple
- 4 Sélecteur de vitesse
- 5 Eclairage
- 6 Mandrin sans clé
- 7 Bloc batterie
- 8 Bouton de libération de la batterie
- 9 Poignée principale

## Utilisation Prévue

Ces modèles de perceuse/visseuse/marteau-perforateur ont été conçus pour des applications professionnelles de perçage, perçage à percussion et vissage.

**NE PAS** les utiliser en milieu humide ou en présence de gaz ou de liquides inflammables.

Ces perceuses/visseuses/marteaux perforateurs sont des outils électriques professionnels.

**NE PAS** les laisser à la portée des enfants. Une supervision est nécessaire auprès de tout utilisateur non expérimenté.

- Ce produit n'est pas prévu pour être utilisé par des personnes (y compris les enfants) dont les capacités physiques, sensorielles ou mentales sont réduites ou qui manquent d'expérience ou d'aptitudes, sauf si ces personnes sont surveillées par une autre personne responsable de leur sécurité. Ne jamais laisser les enfants seuls avec ce produit.

## MONTAGE ET RÉGLAGES



**AVERTISSEMENT** : pour réduire tout risque de dommages corporels graves, arrêter et déconnecter la batterie avant tout réglage ou avant de retirer ou installer toute pièce ou tout accessoire.

Tout démarrage accidentel pourrait causer des dommages corporels.



**AVERTISSEMENT** : utiliser exclusivement des batteries et chargeurs DEWALT.

## Insertion et retrait du bloc batterie de l'outil (Fig. B)

**REMARQUE** : pour un résultat optimal, assurez-vous que le bloc batterie 7 est complètement chargé.

### Pour installer le bloc batterie dans la poignée de l'outil

1. Alignez le bloc batterie 7 avec le rail à l'intérieur de la poignée de l'outil (Fig. B).
2. Faites-le coulisser dans la poignée jusqu'à ce qu'il soit correctement logé dans l'outil et vérifiez qu'il ne se libère pas.

### Pour démonter le bloc batterie de l'outil

1. Appuyer sur le bouton de libération de la batterie 8 et tirer fermement le bloc batterie hors de la poignée de l'outil.
2. Insérer le bloc batterie dans le chargeur comme décrit dans la section du chargeur de ce manuel.

### Témoin de charge des blocs batterie (Fig. B)

Certains blocs batterie DEWALT incluent un témoin de charge composé par trois voyants verts qui indiquent le niveau de charge restant dans le bloc batterie.

Pour activer le témoin de charge, maintenir enfoncé le bouton du témoin de charge 11. Une combinaison de trois voyants verts s'allume pour indiquer le niveau de charge restant. Lorsque le niveau de charge de la batterie est au-dessous de la limite utilisable, le témoin de charge ne s'allume pas et la batterie doit être rechargée.

**REMARQUE** : le témoin de charge est uniquement une indication de la charge restant dans le bloc batterie. Il n'indique pas la fonctionnalité de l'outil et peut être sujet à des variations selon les composants du produit, la température et l'application de l'utilisateur final.

### Interrupteur à variateur de vitesse (Fig. A)

Appuyez sur l'interrupteur marche/arrêt 1 pour mettre l'outil en marche. Relâcher l'interrupteur pour arrêter l'outil. Votre outil est équipé d'un frein. Le mandrin s'arrêtera dès que l'interrupteur sera complètement relâché.

**REMARQUE** : Une utilisation continue avec une gamme de vitesse variable n'est pas recommandée. Cela peut endommager l'interrupteur et doit être évité.

### Bouton de contrôle droite/gauche (Fig. A)

Un bouton de contrôle droite/gauche 2 détermine la direction de l'outil et sert également de bouton de déblocage.

Pour sélectionner la rotation à droite, relâcher l'interrupteur et enfoncer le bouton de contrôle droite/gauche sur le côté droit de l'outil.

Pour sélectionner l'autre direction, appuyer le bouton de contrôle droite/gauche sur le côté gauche de l'outil.

La position centrale du bouton de contrôle verrouille l'outil en position d'arrêt. Lors du changement de position du bouton de contrôle, s'assurer que la gâchette est bien relâchée.

**REMARQUE** : La première fois que l'outil est utilisé après le changement de direction de rotation, il est possible d'entendre un dé clic au démarrage. Ceci est normal et n'indique pas un problème.

### Bague de réglage du couple (Fig. A)

Votre outil possède un mécanisme de vissage à couple réglable pour le vissage et le dévissage d'une vaste gamme de tailles et de formats de fixations et, sur certains modèles, un mécanisme de percussion pour le perçage dans la maçonnerie. Autour de la bague 3 se trouvent des numéros, le symbole d'une mèche et, sur certains modèles, le symbole d'un marteau. Ces numéros sont utilisés pour régler la plage de couple du mandrin. Plus le numéro de la bague est élevé, plus le couple est élevé et plus

l'élément de fixation pouvant être utilisé peut être grand. Pour sélectionner un numéro, faire pivoter jusqu'à aligner la flèche avec le numéro.

## Double gamme de vitesses (Fig. A)

La fonctionnalité de double gamme de votre perceuse/visseuse vous permet de sélectionner les vitesses pour une plus grande polyvalence.

1. Pour sélectionner la vitesse 1 (couple élevé), arrêter l'outil et le laisser s'immobiliser. Faire coulisser le sélecteur de vitesse **4** vers l'avant (vers le mandrin).
2. Pour sélectionner la vitesse 2 (couple faible), arrêter l'outil et le laisser s'immobiliser. Faire coulisser le sélecteur de vitesse vers l'arrière (l'éloigner du mandrin).

**REMARQUE :** Ne pas changer de vitesse lorsque l'outil fonctionne. Toujours laisser la perceuse s'immobiliser complètement avant de changer de vitesse. En cas de problème pour changer les vitesses, s'assurer que le sélecteur de double gamme est complètement vers l'avant ou vers l'arrière.

## Éclairage (Fig. A)

Un éclairage **5** se situe juste au-dessus de la gâchette **1**. L'éclairage est activé lorsque la gâchette est enfoncée. Lorsque la gâchette est relâchée, l'éclairage de travail reste allumé pendant 20 secondes.

**REMARQUE :** L'éclairage sert à illuminer la surface de travail à proximité et ne doit pas être utilisé comme lampe torche.

## Mandrin sans clé à manchon simple

### (Fig. G–I)

**AVERTISSEMENT :** ne pas tenter de serrer des mèches (ou tout autre accessoire) en saisissant la partie avant du mandrin et en mettant l'outil en marche. Risque de blessures et de dommages pour le mandrin. Toujours débloquer la gâchette et débrancher l'outil de la source d'alimentation lors du changement des accessoires.

**AVERTISSEMENT :** toujours s'assurer que l'embout est bien fixé avant de démarrer l'outil. Un embout desserré peut être éjecté de l'outil et provoquer des blessures.

Votre outil comprend un mandrin sans clé **6** avec un manchon rotatif pour l'utilisation du mandrin à une seule main. Pour insérer une mèche ou un autre accessoire, suivre les étapes ci-dessous.

1. Arrêter l'outil et le débrancher de la source d'alimentation.
2. Saisir le manchon noir du mandrin avec une main et utiliser l'autre main pour fixer l'outil. Faire tourner le manchon dans le sens inverse des aiguilles d'une montre jusqu'à pouvoir insérer l'accessoire désiré.
3. Insérer l'accessoire sur 19 mm (3/4") environ dans le mandrin et serrer fermement en tournant le manchon du mandrin dans le sens des aiguilles d'une montre avec une main et en tenant l'outil de l'autre. Votre outil est équipé d'un mécanisme de verrouillage automatique de la broche. Cela vous permet d'ouvrir et de refermer le mandrin d'une seule main.

S'assurer de serrer le mandrin avec une main sur le manchon du mandrin et l'autre main tenant l'outil pour un meilleur serrage. Pour libérer l'accessoire, répéter les étapes 1 et 2 ci-dessus.

## FONCTIONNEMENT

### Consignes d'utilisation

- AVERTISSEMENT :** respecter systématiquement les consignes de sécurité et les normes en vigueur.
- AVERTISSEMENT :** pour réduire tout risque de dommages corporels graves, arrêter et déconnecter la batterie avant tout réglage ou avant de retirer ou installer toute pièce ou tout accessoire. Tout démarrage accidentel pourrait causer des dommages corporels.

### Position correcte des mains (Fig. C)

- AVERTISSEMENT :** pour réduire tout risque de dommages corporels graves, adopter **SYSTÉMATIQUEMENT** la position des mains illustrée.
- AVERTISSEMENT :** pour réduire tout risque de dommages corporels graves, maintenir fermement et **SYSTÉMATIQUEMENT** l'outil pour anticiper toute réaction soudaine de sa part.

La position correcte des mains requiert une main sur le dessus de la perceuse, comme illustré, et l'autre sur la poignée principale **9**.

### Fonctionnement en mode visseuse (Fig. D)

1. À l'aide du sélecteur de double vitesse, sélectionnez la plage de vitesse et de couple désirée qui convient à la vitesse et au couple de l'opération planifiée.
2. Tournez la bague **3** de réglage du couple sur la position voulue. Les nombres inférieurs indiquent des réglages de couple inférieurs ; les nombres supérieurs indiquent des réglages de couple supérieurs.
3. Insérez la vis ou le boulon de votre choix dans le mandrin, comme pour une mèche quelconque.
4. Faites quelques essais sur une pièce inutilisable ou à un endroit qui n'est pas apparent afin de déterminer la position appropriée de la bague d'embranchement.
5. Démarrez toujours avec des réglages de couple inférieurs, puis passez à des réglages supérieurs afin d'éviter d'endommager la pièce de travail, la vis ou le boulon.

### Fonctionnement en mode perceuse (Fig. E)

- AVERTISSEMENT :** pour diminuer le risque de graves blessures corporelles, mettez l'outil hors tension et débranchez-le de sa source d'alimentation avant de procéder à des réglages ou de retirer/d'installer des accessoires ou des pièces de fixation.
- AVERTISSEMENT : AFIN DE DIMINUER LES RISQUES DE BLESSURES CORPORELLES, VEILLEZ TOUJOURS à ce que la pièce à travailler soit retenue ou fixée solidement. Si le matériau à percer est mince, appuyez-le sur un bloc de bois pour éviter d'endommager le matériau.**

1. Tournez la bague **3** sur le symbole de la perceuse.
2. Sélectionnez la vitesse/le couple désiré à l'aide du changeur de vitesse pour assortir la vitesse et le couple à l'opération désirée.
3. Pour le BOIS, utilisez : mèche hélicoïdale, foret à trois pointes, mèche torsadée ou emporte-pièce. Pour le MÉTAL, utilisez : mèche hélicoïdale en acier ou emporte-pièce. Utilisez un lubrifiant de coupe pour percer les métaux, à l'exception de la fonte et du laiton qui doivent être percés à sec.
4. Exercez toujours une pression rectiligne par rapport à la mèche. Exercez suffisamment de pression pour faire mordre la mèche, mais n'appuyez pas à l'excès pour éviter de bloquer le moteur ou de faire dévier la mèche.
5. Tenez l'outil fermement à deux mains pour contrôler le mouvement de torsion de la perceuse. Si le modèle ne comporte pas de poignée latérale, saisissez la poignée de la perceuse d'une main et placez l'autre main sur le bloc-piles.

**ATTENTION :** la perceuse peut caler en cas de surcharge provoquant une torsion brusque. Attendez-vous toujours à un calage. Tenez fermement la perceuse pour maîtriser la force de torsion et éviter les blessures.

6. **SI LA PERCEUSE CALE**, le problème est généralement attribuable à une surcharge ou à une mauvaise utilisation. **RELÂCHEZ IMMÉDIATEMENT LA GÂCHETTE**, retirez la mèche de la pièce et déterminez la cause du calage. **N'APPUYEZ PAS DE FAÇON RÉPÉTÉE SUR LA GÂCHETTE POUR TENTER DE DÉMARRER UNE PERCEUSE CALÉE, CAR CECI POURRAIT L'ENDOMMAGER.**
7. Pour diminuer les risques de calage ou éviter que l'outil traverse le matériau, réduisez la pression exercée sur la perceuse afin que la mèche perce lentement la dernière partie du trou.
8. Faites tourner la perceuse pour retirer la mèche du trou percé. Cela contribuera à empêcher la mèche de se coincer.
9. Pour les perceuses à vitesse variable, il n'est pas nécessaire de marquer au pointeau le centre du trou à percer. Démarrez à basse vitesse pour amorcer le trou, puis accélérez en enfonçant davantage la gâchette lorsque le trou est suffisamment profond pour percer sans que la mèche ne sorte.

## Fonctionnement en mode marteau perforateur (Fig. F)

### DCD776

1. Tournez la bague **3** sur le symbole du marteau perforateur.
2. Sélectionnez la vitesse supérieure en faisant glisser le sélecteur vers l'arrière (à l'opposé du mandrin). **IMPORTANT :** n'utilisez que des mèches à plaquette en carbure métallique ou de maçonnerie.
3. Pour effectuer le perçage, exercez juste assez de pression sur le marteau pour l'empêcher de rebondir excessivement ou pour éviter que la mèche ne se "soulève". Une trop grande pression réduira la vitesse de l'outil, diminuera la cadence de perçage et causera une surchauffe.

4. Maintenez l'outil bien droit, en vous assurant que la mèche est en angle droit avec la pièce à percer. N'exercez pas de pression latérale sur la mèche en cours de perçage, sous peine de boucher les cannelures de la mèche et de ralentir le régime de l'outil.
5. Lors du perçage de trous profonds, si la vitesse du marteau commence à chuter, retirez partiellement la mèche du trou avec le moteur toujours en marche pour aider au dégageant des débris du trou.

**REMARQUE :** une évacuation de poussière régulière et homogène du trou indique une cadence de perçage correcte.

## MAINTENANCE

Votre outil électrique DEWALT a été conçu pour fonctionner longtemps avec un minimum de maintenance. Le fonctionnement continu et satisfaisant de l'outil dépendra d'une maintenance adéquate et d'un nettoyage régulier.



**AVERTISSEMENT :** pour réduire tout risque de dommages corporels graves, arrêter et déconnecter la batterie avant tout réglage ou avant de retirer ou installer toute pièce ou tout accessoire.

Tout démarrage accidentel pourrait causer des dommages corporels.

Le chargeur et le bloc batterie ne peuvent pas être réparés.



## Lubrification

Votre outil électrique ne requiert aucune lubrification additionnelle.



## Entretien



**AVERTISSEMENT :** éliminer poussière et saleté du boîtier principal à l'aide d'air comprimé chaque fois que les orifices d'aération semblent s'encrasser. Porter systématiquement des lunettes de protection et un masque anti-poussières homologués au cours de cette procédure.



**AVERTISSEMENT :** ne jamais utiliser de solvants ou tout autre produit chimique décapant pour nettoyer les parties non métalliques de l'outil. Ces produits chimiques pourraient en attaquer les matériaux utilisés. Utiliser un chiffon humidifié avec de l'eau et un savon doux. Protéger l'outil de tout liquide et n'immerger aucune de ses pièces dans aucun liquide.

## Accessoires en option



**AVERTISSEMENT :** comme les accessoires autres que ceux offerts par DEWALT n'ont pas été testés avec ce produit, leur utilisation avec cet appareil pourrait être dangereuse. Pour réduire tout risque de dommages corporels, seuls des accessoires DEWALT recommandés doivent être utilisés avec cet appareil.

Veillez consulter votre revendeur pour plus d'informations sur les accessoires appropriés.

## Protection de l'environnement



Tri sélectif. Les produits et batteries marqués de ce symbole ne doivent pas être jetés avec les déchets ménagers.

Les produits et batteries contiennent des matières qui peuvent être récupérées et recyclées afin de réduire la demande en matières premières. Veuillez recycler les produits électriques et les batteries conformément aux dispositions locales en vigueur. Pour plus d'informations, consultez le site [www.2helpU.com](http://www.2helpU.com).

## Batterie rechargeable

Recharger cette batterie longue durée lorsqu'elle ne produira plus assez de puissance pour effectuer un travail qu'elle faisait facilement auparavant. En fin de vie utile, mettre la batterie au rebut conformément à la réglementation en matière d'environnement :

- Décharger complètement la batterie, puis la retirer de l'outil.
- Les cellules ion lithium sont recyclables. Les apporter au revendeur ou dans un centre de recyclage local. Les blocs batterie collectés seront recyclés ou mis au rebut correctement.



## مثقاب/مفك/مثقاب مطرقي لاسلكي مدمج

13 مر (1/2 بوصة) DCD776، DCD771

## تهانينا!

لقد اخترت أداة DEWALT. سنوات الخبرة التي تمتد خلالها عمليات تطوير المنتجات وابتكارها تجعل DEWALT من أكثر الشركاء الذين يمكن الاعتماد عليهم بالنسبة لمستخدمي الأدوات الآلية المحترفين.

## البيانات الفنية

DCD776	DCD771		
18	18	فولت تيار مستمر	الجهد الكهربائي
1/10	1	مستمر	النوع
Li-Ion	Li-Ion		نوع البطارية
300	300	وات	خرج الطاقة
450-0	450-0	دقيقة <sup>1</sup>	سرعة للاحلام
1800-0	1800-0	دقيقة <sup>1</sup>	الترس الأول
			الترس الثاني
			معدل الطرق
7650-0	-	دقيقة <sup>1</sup>	الترس الأول
25500-0	-	دقيقة <sup>1</sup>	الترس الثاني
42/24	42/24	نيوتن متر	الحد الأقصى لعزم الدوران (صلب/لين)
13	13	مم	سعة قابض للفتحة
			الحد الأقصى لسعة الثقب
30	30	مم	الخشب
13	13	مم	المعدن
13	-	مم	الألبينة
1,34	1,3	كجم	الوزن (بدون مجموعة البطارية)

## تحذيرات الأمان العامة للأدوات الكهربائية



تحذير: اقرأ جميع تحذيرات الأمان والتعليمات والإيضاحات والمواصفات الواردة مع هذه الأداة الكهربائية. إذ قد يؤدي عدم اتباع جميع الإرشادات إلى حدوث صدمة كهربائية و/أو نشوب حريق و/أو وقوع إصابة جسيمة.

## احتفظ بجميع التحذيرات والتعليمات من أجل الرجوع إليها في المستقبل

يشير المصطلح «أداة كهربائية» في التحذيرات إلى الأداة الكهربائية التي تعمل بالطاقة الكهربائية مزودة بسلك كهربائي، أو الأداة الكهربائية التي تعمل بالبطارية غير مزودة بسلك كهربائي.

## 1) أمان منطقة العمل

- أ) احتفظ بمنطقة العمل نظيفة ومضاءة بطريقة جيدة، حيث أن المناطق المتكدسة بغير نظام أو المظلمة تؤدي إلى وقوع الحوادث.
- ب) لا تقم بتشغيل الأدوات الكهربائية في الأوجه المتفجرة، كان يوجد بالمكان سائل أو غازات أو غبار قابل للاشتعال. قد تؤدي الأدوات الكهربائية التي تحدث شرارات في اشتعال الأتربة أو الأبخرة.
- ج) أبق على الأطفال والأشخاص المشاهدين بعيداً أثناء تشغيل الأداة الكهربائية. فقد يؤدي تشتت الانتباه إلى فقدان سيطرتك.

## 2) السلامة الكهربائية

- أ) يجب أن يتوافق قابس الأداة الكهربائية مع مصدر التيار الكهربائي. لا تقم مطلقاً بإجراء تعديل على القابض بأي طريقة. لا تستخدم قابس المحول مع الأدوات الكهربائية المؤرزة لتمر تاريخها، حيث ستقلل المقابض غير المعدلة ومصادر التيار الكهربائي المتطابقة من خطر حدوث صدمة كهربائية.
- ب) تجنب ملامسة الجسم مع الأسطح الأرضية أو المؤرزة كالأنياب والمشعاع والموقد والثلاجات، حيث يوجد خطر منزلا من حدوث صدمة كهربائية إذا كان جسدك مؤرضاً أو ثابتاً على الأرض.
- ج) لا تعرض الأدوات الكهربائية للمطر أو البلل. إذ سيؤدي الماء الذي يدخل الأداة الكهربائية إلى زيادة خطر حدوث صدمة كهربائية.

د) لا تستخدم الكابل بطريقة خاطئة. لا تستخدم مطلقاً السلك من أجل حمل الأشياء أو سحبها أو لنزع قابس الأداة الكهربائية. أبعد السلك عن الحرارة أو الزيت أو الحواف الحادة أو الأجزاء المتحركة. إذ تزيد الأسلاك التالفة أو المتشابكة من خطر حدوث صدمة كهربائية.

- هـ) عند تشغيل الأداة الكهربائية خارج المنزل، استخدم سلك استتالة ملائم للاستخدام في الأماكن الخارجية، حيث إن استخدام السلك الملائم للاستخدام الخارجي يقلل من خطر حدوث الصدمة الكهربائية.
- و) إذا لم يكن هناك مفر من تشغيل الأداة الكهربائية في أحد الأماكن الرطبة، فاستخدم مصدر إمداد محمي بجهاز قاطع الدورة (RCD). استخدم جهاز التيار المتبقي يقلل من حدوث الصدمة الكهربائية.

## 3) السلامة الشخصية

- أ) ابق حذراً وراقب ما تقوم بفعله واستعن بالحواس العامة عند تشغيل الأداة الكهربائية. لا تستخدم الأداة الكهربائية عندما تكون متعباً أو تحت تأثير المخدرات أو الكحول أو الأدوية. قد تؤدي أي لحظة من السهو أثناء تشغيل الأدوات الكهربائية إلى حدوث إصابة جسيمة.
- ب) استخدم معدات الوقاية الشخصية، قم دوماً بارتدائه واقعي العينين، إذ أن استخدام معدات الوقاية مثل كمامات الأتربة، وأحذية الأمان المانعة للانزلاق، والخوذة الصلبة، أو واقعي الأذن للحالات ذات الصلة سيقلل من الإصابات الشخصية.
- ج) تجنب التشغيل العرضي. تأكد من أن المفاتيح في وضع إيقاف التشغيل قبل التوصيل بمصدر الطاقة، و/أو مجموعة البطارية، أو التقاط أو حمل الأداة، حيث قد يؤدي حمل الأدوات الكهربائية أثناء وجود إصبعك على

## التعريفات: تعليمات الأمان

تصف التعريفات التالية مستوى أهمية كل كلمة تحذيرية. يرجى قراءة الدليل والانتباه لتلك الرموز.

- ⚠️ خطر: تشير هذه الكلمة إلى وجود حالة خطر وشيكة، وإذا لم يتم تفاديها، فقد تؤدي إلى الوفاة أو الإصابة الجسيمة.
- ⚠️ تحذير: تشير هذه الكلمة إلى وجود حالة خطر محتملة، وإذا لم يتم تفاديها، فقد تؤدي إلى الوفاة أو الإصابة الجسيمة.
- ⚠️ تنبيه: تشير هذه الكلمة إلى وجود حالة خطر محتملة، وإذا لم يتم تفاديها، فقد تؤدي إلى حدوث إصابة بسيطة أو متوسطة.
- ⚠️ ملاحظة: تشير إلى ممارسة غير متعلقة بإصابة شخصية، إذا لم يتم تفاديها، فقد تؤدي إلى ضرر الممتلكات.
- ⚡️ تشير إلى خطر حدوث صدمة كهربائية.
- 🔥 تشير إلى خطر نشوب حريق.
- 📖 تحذير: لتقليل خطر حدوث الإصابات، يرجى قراءة دليل التعليمات.

الشواحن / مدد الشحن (بالدقيقة)										مجموعة البطارية			
DCB119	DCB132	DCB118	DCB117	DCB116	DCB115	DCB113	DCB112	DCB107	DCB104	الوزن كجم	فولت تيار مستمر	أمبير ساعة	رقم الفئة
X	90	60	40	80	90	140	170	270	60	1,08	6,0/2,0	18/54	DCB546
X	135*	75*	60	110*	135*	220	270	420	75*	1,46	9,0/3,0	18/54	DCB547
X	180	120	80	150	180	300	350	540	120	1,46	12,0/4,0	18/54	DCB548
45	22	22	22	22	22	35	45	70	22	0,35	1,5	18	DCB181
120	60	60/40**	60/40**	60/45**	60	100	120	185	60/40**	0,61	4,0	18	DCB182
60	30	30	30	30	30	50	60	90	30	0,40	2,0	18	DCB183/B/G
150	75	75/50**	75/50**	75/60**	75	120	150	240	75/50**	0,62	5,0	18	DCB184/B/G
40	22	22	22	22	22	30	40	60	22	0,35	1,3	18	DCB185
90	45	45	45	45	45	70	90	140	45	0,54	3,0	18	DCB187
120	60	60	60	60	60	100	120	185	60	0,54	4,0	18	DCB189

ل.ك.ذ.ي.لي.ام.ر.وأ.1745820181 خيرات.ال.زمر\*

ل.ك.ذ.ي.لي.ام.ر.وأ.15362015 خيرات.ال.زمر\*\*

ن.ا.ي.ر.ا.ط.ا.ل.ة.ل.ا.ح.و.ة.ر.ا.ح.ة.ر.ج.د.ب.س.ح.ن.ح.ل.ش.ن.ا.ق.أ.و.ف.ل.ت.خ.ت.؛.ط.ق.ف.د.ا.ش.ر.ا.ل.ل.ة.م.ر.ق.م.ة.ق.ر.ا.ط.ي.ا.ل.ن.ح.ش.ن.ا.ق.أ.و.ف.ل.ت.خ.ت.م.م.م.\*\*\*

- حافظ على أدوات القطع في حالة حادة ونظيفة.** حيث إن أدوات القطع التي تتم صيانتها بطريقة صحيحة ومزودة بحواف قطع حادة تتعرض بشكل أقل للالتصاق ويسهل التحكم بها على نحو أكبر.
- استخدم الأداة الكهربائية والملحقات ولقمر الأداة وما شابه ذلك وفقاً لهذه التعليمات مع الأخذ في الاعتبار ظروف التشغيل والعمل المراد تنفيذها.** إذ أن استخدام الأداة الكهربائية لعمليات مختلفة عن تلك العمليات المخصصة لها قد يؤدي إلى حالة خطرة.
- حافظ على جفاف المقابض والمفاتيح ونظافتها وخلوها من الزيت والشحوم.** فالمقابض الزلقة والأسطح الملتصقة لا تتيح الحصول على تعامل آمن وتحكم كامل في الأداة في المواقف الفاجئة.
- استخدام أداة البطارية والعناية بها**
- لا تستخدم أي شاحن آخر بخلاف الممدد من قبل جهة التصنيع. إن الشاحن الذي يناسب أحد أنواع مجموعة بطارية قد تنسب في خطر نشوب حريق عند استخدامه مع مجموعة بطارية أخرى.
- لا تستخدم الأدوات الكهربائية إلا مع مجموعات البطاريات المصممة خصيصاً لها. قد تنسب استخدام أي من مجموعات البطاريات الأخرى في خطر التعرض للإصابة ونشوب حريق.
- عندما لا تكون مجموعة البطارية قيد الاستخدام، احتفظ بها بعيداً عن الأشياء المعدنية الأخرى مثل الدبابيس أو العلامات المعدنية أو المفاتيح أو المسامير أو البراغيز أو غيرها من الأشياء المعدنية التي من شأنها توصيل طرف بأخر. قد ينسب تقصير أطراف توصيل البطارية معاً في حدوث حروق أو نشوب حريق.
- في حالات الاستخدام السيئ، قد يخرج السائل من البطارية، يرجى تجنب ملامسته. إذا حدث تلامس مفاجئ، اسكب الماء على مكان التلامس. في حالة ملامسة السائل للعينين، اطلب المساعدة الطبية للامتحان. قد ينسب السائل المتسرب من البطارية في حدوث التهابات أو حروق.
- لا تستخدم البطارية أو أداة تالفة أو خضعت للتعبيل. فالبطاريات التالفة أو التي خضعت للتعبيل يمكن أن تحدث أي شيء لا يمكن توقعه، بما قد يؤدي إلى نشوب النيران أو حدوث الانفجارات أو التعرض لخطر الإصابة. لا تقم بتعرض البطاريات أو الأدوات للنيران أو درجات الحرارة المفرطة. يمكن أن يؤدي تعرضها لدرجات الحرارة التي تتجاوز 130 درجة مئوية إلى حدوث انفجار.
- اتبع كل تعليمات الشحن، ولا تقوم بشحن البطارية أو الأداة خارج نطاق درجات الحرارة الممدد في التعليمات. يمكن أن يؤدي الشحن بشكل غير صحيح أو في درجات حرارة خارج النطاق الممدد إلى إتلاف البطارية وزيادة مخاطر نشوب الحريق.
- المفتاح وإمداد الأدوات الكهربائية التي يكون مفتاحها بوضع التشغيل بالكهرباء إلى وقوع الحوادث.
- قم بإخراج أي مفتاح ضبط أو مفتاح ربط قبل تشغيل الأداة الكهربائية. فقد يؤدي ترك مفتاح الربط أو المفتاح بالجزء الدوار بالأداة الكهربائية إلى حدوث إصابة شخصية.
- تجنب من يدك بعيداً بالهزاز. حافظ على ثبات موضع قدمك والتوازن طيلة الوقت. إذ يساعدك ذلك على التحكم بشكل أفضل في الأداة الكهربائية في المواقف الفاجئة.
- ارتدِ الملابس المناسبة. تجنب ارتداء ملابس أو مجوهرات فضفاضة. أبعده الشعر والملابس والقفازات عن الأجزاء المتحركة. فقد تتحسر الملابس أو المجوهرات الفضفاضة أو الشعر الطويل في الأجزاء المتحركة.
- في حال توفير الأجهزة للتوصيل بوسائل استخلاص وتجميع الأتربة، فتأكد من تشغيلها واستخدامها بطريقة صحيحة. حيث أن تجميع الأتربة قد يؤدي إلى تقليل المخاطر المتعلقة بالأتربة.
- لا تدع الخبرة المكتسبة من الاستخدام المتكرر للأدوات تدفعك إلى اللامبالاة وتجاهل مبادئ سلامة الأداة. فقد تنسب أي إجراء غير حذر إلى وقوع إصابات خطيرة في جزء من الثانية.
- استخدام الأداة الكهربائية والعناية بها**
- لا تتعامل بالقوة مع الأداة الكهربائية. استخدم الأداة الكهربائية الملائمة لغرض الاستخدام الخاص بك. حيث ستنتج الأداة الكهربائية الملائمة المهمة بشكل أفضل وأكثر أماناً عند المعدل الذي صممت من أجله.
- لا تستخدم الأداة الكهربائية إذا كان المفتاح لا يقوم بالتشغيل وإيقاف التشغيل، حيث تشكل أي أداة كهربائية لا يمكن التحكم فيها بواسطة المفتاح خطورة ويجب إصلاحها.
- قم بفصل القابس من مصدر الطاقة و/أو مجموعة البطارية، إذا كانت قابلة للفصل، من الأداة الكهربائية قبل إجراء أي عمليات ضبط أو تغيير ملحقات أو تخزين الأدوات الكهربائية. تقلل إجراءات السلامة الوقائية هذه من خطر تشغيل الأداة الكهربائية بشكل فجائي.
- قم بتخزين الأدوات الكهربائية المتوقفة عن العمل بعيداً عن متناول الأطفال ولا تدع الأشخاص غير الملمين بالأداة الكهربائية أو بهذه التعليمات يقومون بتشغيل الأداة الكهربائية. إذ تعد الأدوات الكهربائية مصدر خطورة في أيدي المستخدمين غير المدربين على استخدامها.
- حافظ على الأدوات الكهربائية والملحقات، اخص للنحري عن أي محاذة غير صحيحة أو تقييد للأجزاء المتحركة، أو كسر بالأجزاء وأي حالات أخرى قد تؤثر على تشغيل الأداة الكهربائية. وفي حال وجود تلف، قم بإصلاح الأداة الكهربائية قبل الاستخدام. حيث يرجح سبب وقوع العديد من الحوادث إلى الصيانة السيئة للأدوات الكهربائية.

## 6) الخدمة

- أ) قمر بصيانة الأداة الكهربائية الخاصة بك على يد فني إصلاح مؤهل وذلك من خلال استخدام أجزاء بديلة متطابقة فقط. حيث سيضمن ذلك الحفاظ على أمان الأداة الكهربائية.
- ب) لا تقم على الإطلاق بصيانة البطاريات التالفة. يجب ألا يقوم بصيانة البطاريات إلا الشركة المصنعة لها أو موفر الخدمة المعتمدون.

## تحذيرات سلامة الثقب

## تعليمات أمان الخاصة بجميع عمليات التشغيل )

- ارتد واقيات الأذنين عند الثقب بالصدادم، التعرض للضوضاء قد يؤدي إلى فقدان السمع.
- قم بإمسك الأداة الكهربائية بواسطة أسطح الإمساك المعزولة عند تنفيذ العملية حيث قد يتلامس ملحق القطع مع الأسلاك الخفية، ملحق القطع المتلامس مع السلك "النشط" قد يؤدي إلى "تنشيط" الأجزاء المعدنية المكشوفة من الأداة الآلية وتعرض المشغل للصدعة الكهربائية.

## إرشادات السلامة عند استخدام لقم الثقب الطويلة

- لا تقم بتشغيل الأداة بسرعة أعلى من معدل السرعة القصوى المحدد للقم الثقب، ففي السرعات العالية، يحتمل أن تنثني اللقمة إذا تم تركها تدور بشكل حر دون ملامسة قطعة العمل، مما قد ينتج عنه وقوع إصابات شخصية.
- ابدأ الثقب دائماً بسرعة منخفضة مع جعل طرف اللقمة ملامساً لقطعة العمل، ففي السرعات العالية، يحتمل أن تنثني اللقمة إذا تم تركها تدور بشكل حر دون ملامسة قطعة العمل، مما قد ينتج عنه وقوع إصابات شخصية.
- قم بالضغط فقط في خط مباشر مع اللقمة، ولا تقم بإجراء ضغط زائد. قد تنثني اللقمة وتتسبب في حدوث تلف أو فقد التحكم، مما ينتج عنه وقوع إصابات شخصية.

## قواعد أمان إضافية محددة للتمارين / السائقين /

## تدريبات التأخير

- استخدم المشابك أو أي وسيلة عملية أخرى لتثبيت ودعم قطعة العمل على منصة عمل ثابتة، الإمساك بقطعة العمل بواسطة اليد أو على الجسد يجعلها غير ثابتة وبالتالي قد يؤدي ذلك إلى فقدان التحكم.
- ارتد النظارات الواقية أو واقيات العينين الأخرى، تؤدي عمليات الطرق والثقب إلى تطاير الرقائق، وقد قد تؤدي الجسيمات المتطايرة إلى حدوث تلف دائم بالعين.
- قد ترتفع درجة حرارة الملحقات والأداة أثناء التشغيل. ارتد قفازات عند التعامل معهم إذا كنت تجري استخدامات تولد حرارة مثل الثقب بالمطرقة وثقب المعادن.
- لا تقم بتشغيل هذه الأداة لفترات زمنية طويلة، فقد يؤدي الاهتزاز الناجم عن عمل المطرقة إلى إلحاق الأذى بيديك وذرارك. استخدم القفازات لتلطيف للصددمات والراحة الإضافية والحد من أخذ فترات متكررة من أجل الراحة.
- فتحات الهواء غالباً ما تغطي الأجزاء المتحركة ويجب تجنبها، فقد تنحسر الملابس الفضفاضة أو المجموعات أو الشعر الطويل في الأجزاء المتحركة.

## المخاطر المتبقية

فالمخاطر التالية تعتبر متأصلة ومرتبطة باستخدام آلات الثقب:

- الإصابات الناجمة عن ملامسة الأجزاء الدوارة أو الأجزاء الساخنة من الأداة.
- على الرغم من تطبيق تعليمات السلامة ذات الصلة والتزود بأجهزة الأمان، إلا أنه لا يمكن تفادي بعض المخاطر المتبقية المحددة، وتشمل هذه المخاطر ما يلي:
- ضعف السمع.
- خطر التعرض للإصابة الشخصية بسبب الجسيمات المتطايرة.
- خطر التعرض للحروق بسبب سخونة الملحقات أثناء التشغيل.
- خطر التعرض لإصابة شخصية بسبب الاستخدام المطول.

## احتفظ بهذه التعليمات

## الشواحن

لا تحتاج شواحن DEWALT إلى تعديلات وهي مصممة لتكون سهلة الاستخدام قدر الإمكان.

## السلامة الكهربائية

تم تصميم المحرك الكهربائي لتحمل جهد كهربائي واحد فقط. تأكد دوماً من أن مصدر إمداد الطاقة مطابق للجهد الكهربائي المبين على لوحة التصنيف.



تم تزويد الأداة الخاصة بك من DEWALT بعازل مزدوج طبقاً لمعيار EN60335، لذا لا حاجة للسلك الأرضي.



**تحذير:** يجب تشغيل الوحدات بقدر 127 فولت من خلال محول العزل الآمن من التعطل مع شاشة التأريض بين اللفات الرئيسية وغير الرئيسية.

في حالة استبدال القابس أو القابس في الأداة، يجب أن تتم عملية الإصلاح من قبل مركز خدمة معتمد أو فني مؤهل.

## استبدال قابس التيار الرئيسي

## (الشرق الأوسط وإفريقيا)

إذا استدعت الضرورة تركيب قابس تيار رئيسي، فقم بالتالي:

- تخلص بأمان من القابس القديم.
- قم بتوصيل السلك البني بطرف التوصيل النشط في القابس.
- قم بتوصيل السلك الأزرق بطرف التوصيل المحايد.
- تحذير:** لا يتم إجراء أي توصيل بطرف التوصيل الأرضي.



قم بتابع التعليمات الواردة مع القوايس ذات الجودة العالية المنصهر الموصى باستخدامه: 3 أمبير.

## استخدام كابل الاستطالة

إذا استدعت الضرورة استخدام كابل استطالة، فاستخدم كابل استطالة معتمد ملائم لدخل طاقة هذه الأداة، انظر البيانات الفنية). الحد الأدنى لحجم الموصل هو 1 مم<sup>2</sup> الطول الأقصى هو 30 م.

عند استخدام بكرة الكابل، فقم دوماً بك الكابل تماماً.

## تعليمات السلامة الهامة بشأن جميع شواحن البطاريات

**احتفظ بهذه التعليمات:** يشتمل هذا الدليل على إرشادات هامة للسلامة والتشغيل الخاصة بشواحن البطارية المتوافقة ارجع إلى البيانات الفنية).

- قبل استخدام الشاحن، اقرأ جميع التعليمات وعلامات التحذير الموجودة على الشاحن ومجموعة البطارية باستخدام مجموعة البطارية.

**تحذير:** مخاطر الصدمة لا تسمح بدخول أي سائل داخل الشاحن. حيث قد تحدث صدمة كهربية.



**تحذير:** نوصي باستخدام جهاز قاطع الدورة مع ضبط قطع الدورة على 30 ملي أمبير أو أقل.



**تنبيه:** خطر الحرق. للحد من مخاطر الإصابة، قم فقط بشحن بطاريات DEWALT القابلة لإعادة الشحن. قد تنفجر البطاريات الأخرى متسببة في الإصابة الشخصية أو الضرر.



**تنبيه:** يجب مراقبة الأطفال للتأكد من أنهم لا يلعبون بالجهاز.



**ملاحظة:** في حالات محددة، عندما يكون الشاحن موصلاً بمصدر الإمداد بالطاقة، من الممكن تقصير دائرة أطراف توصيل الشحن المكشوفة داخل الشاحن بفعل مواد خارجية. يجب الاحتفاظ بالمواد الخارجية ذات الطبيعة الموصلة، التي تشمل على سبيل المثال لا الحصر، الصوف الفولاذي أو أوراق الألومنيوم أو أي مادة مصنعة من جزيئات معدنية بعيداً عن فجوات الشاحن. انزع الشاحن دائماً من مصدر الإمداد بالطاقة عندما لا تكون هناك مجموعة بطارية في التجويف. انزع الشاحن قبل محاولة التنظيف

لا تحاول شحن مجموعة البطارية باستخدام أية شواحن بخلاف تلك الواردة في دليل التعليمات هذا. الشاحن ومجموعة البطارية مصممتان خصيصاً لتعملتا سوياً.

لا يقوم الشاحن الشواحن) المتوافق بشحن مجموعة بطارية معينة. سيشير الشاحن إلى وجود خلل في البطارية بعدم الإضاءة.

**ملاحظة:** يمكن أن يشير ذلك كذلك إلى وجود مشكلة في الشاحن.

إذا أشار الشاحن إلى وجود مشكلة، فخذ الشاحن ومجموعة البطارية ليتم اختبارهما في مركز خدمة معتمد.

### تأجيل شحن المجموعة بسبب السخونة/البرودة

عندما يكشف الشاحن أن مجموعة البطارية ساخنة للغاية أو باردة للغاية، فإنه يبدأ تلقائياً في تأجيل شحن المجموعة بسبب السخونة/البرودة، وتعلق الشحن حتى تصل البطارية إلى درجة حرارة مناسبة. ثم ينتقل الشاحن تلقائياً إلى وضع شحن المجموعة. وتضمن هذه الخاصية العمر الأقصى لمجموعة البطارية.

يتم شحن مجموعة البطارية الباردة بمعدل أبطأ من شحن مجموعة البطارية الدافئة. يتم شحن مجموعة البطارية بالمعدل الطبيعي خلال دورة الشحن بالكامل، ولن يعود إلى الحد الأقصى لمعدل الشحن حتى إذا أصبحت مجموعة البطارية دافئة.

### نظام الحماية الإلكترونية

تم تصميم أدوات XR ليثيوم أيون مع نظام الحماية الإلكترونية الذي من شأنه حماية مجموعة البطارية من فرط الحمل أو فرط السخونة أو التفريغ العميق.

سيتم إيقاف تشغيل الأداة تلقائياً إذا تم تنشيط نظام الحماية الإلكترونية. إذا حدث ذلك، فضع مجموعة بطارية الليثيوم أيون في الشاحن حتى يتم شحنها بالكامل.

### التثبيت على الحائط

تم تصميم هذه الشواحن بحيث يمكن تركيبها على الحائط أو وضعها بشكل منتصب على طاولة أو على سطح العمل. عند التثبيت على الحائط، ضع الشاحن بالقرب من مخرج كهرباء، وبعيداً عن الزاوية أو أي عوائق أخرى قد تعيق تدفق الهواء. استخدم خلفية الشاحن مقابل لوضع مسامير التثبيت على الحائط. قم بتركيب الشاحن بمن باستخدام مسامير للحوائط الجافة يتم شراؤها منفصلة) بطول 25.4 مم وقطر رأس المسامير من 9-7 مم على الأقل، ويتم إدخالها في الخشب لعق مائل مع ترك ما يقرب من 5.5 مم من المسامير مكشوفاً. قم بمخاداة الفتحات على ظهر الشاحن مع المسامير المكشوفة وقرم بإدخالها كاملة في الفتحات.

### تعليمات تنظيف الشاحن



**تحذير:** مخاطر الصدمة أفضل الشاحن من منفذ التيار المتردد قبل محاولة تنظيفه. يمكن إزالة الأتربة والشحم من الجزء الخارجي للشاحن باستخدام قطعة قماش أو فرشاة ناعمة غير معدنية. لا تستخدم الماء أو محاليل التنظيف. لا تسمح قط بدخول أي سائل إلى الأداة، ولا تقم مطلقاً بغمر أي جزء من الأداة في السائل.

### مجموعة البطارية

#### تعليمات السلامة الهامة لجميع مجموعات البطاريات

عند طلب استبدال مجموعات البطاريات، تأكد من تضمين رقم الكatalog والجهد الكهربائي. مجموعة البطارية غير مشحونة بالكامل عند خروجها من العلبة. قبل استخدام مجموعة البطارية والشاحن، اقرأ تعليمات السلامة أدناه. ثم اتبع إجراءات الشحن المحددة.

#### اقرأ جميع التعليمات

- لا تقم باستخدام أو تشغيل البطارية في الأجواء المتفجرة، كأن يوجد بالمكان سوائل أو غازات أو غبار قابل للاشتعال. حيث قد يعمل إدخال أو إزالة البطارية من الشاحن على إشعال الغبار أو الأبخرة.
- لا تُدخل مطلقاً مجموعة البطارية بالقوة في الشاحن. لا تقم بتعديل مجموعة البطارية بأي شكل من الأشكال حتى تتلاه مع شاحن غير متوافق حيث قد تتمرق مجموعة البطارية مسببة إصابة شخصية بالغة.
- لا تشحن مجموعات البطاريات إلا باستخدام شواحن DEWALT فقط.
- لا تقم برشه بالماء أو السوائل الأخرى أو غمره بها.
- لا تخزن أو تستخدم الأداة أو مجموعة البطارية في أماكن حيث قد تصل درجة الحرارة إلى 40 درجة مئوية (104 درجة فهرنهايت) مثل الحظائر الخارجية أو المباني المعدنية (في الصيف).
- لا تقم بحرق مجموعة البطارية حتى وإن تعرضت للتلوث الشديد أو تضررت بالكامل. حيث يمكن لمجموعة البطارية الانفجار في الحريق. تتبعت الأبخرة والمواد السامة عندما يتم حرق مجموعات بطاريات ليثيوم أيون.

هذه الشواحن غير مخصصة لأي استخدام آخر بخلاف شحن بطاريات DEWALT القابلة لإعادة الشحن. قد يتسبب أي استخدام آخر في التعرض لمخاطر نشوب حريق أو التعرض لصدمة كهربائية أو الوفاة نتيجة لها.

لا تعرض الشاحن للمطر أو الثلج.

اسحب القابس بدلاً من سحب السلك عند فصل الشاحن. حيث إن هذا سوف يحد من مخاطر إتلاف القابس والسلك الكهربائي.

تأكد من أن وضع السلك في مكان مناسب بحيث لا يتم المرور فوقه أو التعثر به أو تعرضه للتلوث أو الإجهاد.

لا تستخدم سلك تمديد ما لم يكن الأمر ضرورياً للغاية. قد يتسبب استخدام سلك تمديد غير مناسب في التعرض لمخاطر نشوب حريق أو التعرض لصدمة كهربائية أو الوفاة نتيجة لها.

لا تضع أي شيء فوق الشاحن أو وضع الشاحن على سطح ناعم قد يسد فتحات التهوية ويتسبب في فرط الحرارة الداخلية. ضع الشاحن في مكان بعيد عن أي مصدر حراري. تم تهوية الشاحن من خلال فتحات أعلى وأسفل مكان التثبيت.

لا تقم بتشغيل الشاحن إذا كان السلك أو المقبس تالفاً—واستبدلها على الفور.

لا تقم بتشغيل الشاحن إذا تعرض لضربة قوية أو تم سقوطه أو تعرض للضرب بأية طريقة خلافاً لذلك. خذ الشاحن إلى مركز خدمة معتمد.

لا تقم بتفكيك الشاحن وخذه إلى مركز خدمة معتمد عندما تكون الخدمة أو الإصلاح مطلوبين. قد تتسبب إعادة التثبيت غير الصحيح إلى خطر التعرض لصدمة كهربائية أو الوفاة نتيجة لها أو نشوب حريق.

في حال تلف سلك مصدر الطاقة، يجب استبداله على الفور من قبل الشركة المصنعة أو وكيل خدمتها أو شخص مؤهل مماثل لمنع أية مخاطر.

افصل الشاحن من مقبس التيار قبل محاولة تنظيفه. حيث أن هذا سوف يحد من خطر التعرض لصدمة كهربائية. ولن تخفض إزالة مجموعة البطارية من هذا الخطر.

لا تحاول مطلقاً توصيل شاحنين معاً.

الشاحن مصمم للعمل على طاقة كهربائية منزلية بجهد 230 فولت. لا تحاول استخدامه على أي جهد كهربائي آخر. هذا لا ينطبق على شاحن المركبة.

### شحن البطارية (الشكل B)

- أدخل الشاحن في مقبس التيار المناسب قبل إدخال مجموعة البطارية.
  - أدخل مجموعة البطارية في الشاحن، وتأكد من استيعاب الشاحن للبطارية بالكامل. سوف يومض المصباح الأحمر (جارٍ الشحن) بصورة متكررة للإشارة إلى أن عملية الشحن قد بدأت.
  - وستتم الإشارة إلى اكتمال الشحن ببقاء المصباح الأحمر قيد التشغيل بصورة مستمرة. اكتمل شحن المجموعة وقد تستخدم في هذا الوقت أو ترك في الشاحن. لإزالة مجموعة البطارية من الشاحن، اضغط زر تحرير البطارية في مجموعة البطارية.
- ملاحظة:** لضمان أقصى أداء وعمر لبطاريات الليثيوم أيون، اشحن مجموعة البطارية بالكامل قبل استخدامها للمرة الأولى.

### عمل الشاحن

راجع المؤشرات أدناه لمعرفة حالة شحن مجموعة البطارية.

مؤشرات الشحن:	
	جارٍ الشحن
	مشحونة بالكامل
	تأجيل شحن المجموعة بسبب السخونة/البرودة*

\* سيستمر المصباح الأحمر في الوميض، بينما سيضيئ المؤشر الضوئي الأصفر أثناء هذه العملية. وبمجرد أن تصل البطارية إلى درجة حرارة مناسبة، سينطفئ المصباح الأصفر وسيستأنف الشاحن إجراء الشحن.

2. التخزين الطويل، من المستحسن تخزين البطارية مشحونة بالكامل في مكان بارد وجاف خارج الشاحن للحصول على أفضل النتائج.
- ملاحظة:** يجب ألا يتم تخزين مجموعة البطارية مستنفدة تمامًا من الشحن. ستحتاج البطارية إلى إعادة شحنها قبل الاستخدام.

### الملصقات الموجودة على الشاحن ومجموعة البطارية

بالإضافة إلى الصور التوضيحية المستخدمة في هذا الدليل، قد تُظهر الملصقات الموجودة على الشاحن ومجموعة البطارية الصور التوضيحية التالية:



اقرأ دليل التعليمات قبل الاستخدام.



انظر البيانات الفنية فيما يتعلق بوقت الشحن.



لا تقم بشبكها بأشياء موصلة.



لا تقم بشحن مجموعات البطاريات التالفة.



لا تعرضها للماء.



استبدل الأسلاك المعيبة على الفور.



قم بالشحن فقط في درجة حرارة بين 4 درجة مئوية و40 درجة مئوية.



لاستخدام في الأماكن المغلقة فقط.



تخلص من البطارية مع بذل العناية الواجبة للبيئة.



لا تشحن مجموعات بطاريات DEWALT إلا باستخدام شواحن DEWALT المخصصة. قد يؤدي شحن مجموعات بطاريات خلاف DEWALT باستخدام شاحن DEWALT إلى حدوث انفجار أو حالات خطيرة أخرى.



لا تقم بحرق مجموعة البطارية.

### نوع البطارية

يعمل DCD771 و DCD776 على مجموعات بطاريات سعة 18 فولت.

يمكن استخدام مجموعات البطاريات التالية: DCB181, DCB182, DCB183B, DCB183, DCB184, DCB184B, DCB185, DCB187, DCB546, DCB547, DCB548. راجع البيانات الفنية للحصول على مزيد من المعلومات.

### محتويات العبوة

تحتوي العبوة على ما يلي:

1	متقاب/مفك أو 1 متقاب/مفك/متقاب مطري
1	شاحن
1	مجموعة بطاريات ليثيوم أيون طرازات 1C، 1D، 1L، 1M، 1P، 1S، 1T، 1X، 1Y
2	مجموعات بطاريات ليثيوم أيون طرازات 2C، 2D، 2L، 2M، 2P، 2R، 2S، 2T، 2X، 2Y
3	مجموعات بطاريات ليثيوم أيون طرازات 3C، 3D، 3L، 3M، 3P، 3R، 3S، 3T، 3X، 3Y
1	دليل التعليمات

- إذا لامست محتويات البطارية الجلد، فاغسل المنطقة فورًا بالماء والصابون المعتدل. إذا دخل سائل البطارية في العين، فقم بشطف العين بالماء وهي مفتوحة لمدة 15 دقيقة أو حتى يتوقف التهيج. إذا كانت هناك حاجة إلى عناية طبية، فإن كهرس البطارية يتكون من خليط من الكربونات العضوية السائلة وأملاح الليثيوم.
- قد تسبب محتويات خلايا البطارية المفتوحة تهيج الجهاز التنفسي. قم بتوفير الهواء النقي. إذا استمرت الأعراض، فاطلب العناية الطبية.



تحذير: خطر الحرق. قد يكون سائل البطارية قابلاً للاشتعال إذا تعرض



تحذير: لا تحاول فتح مجموعة البطارية لأي سبب. إذا تعرضت حقيقية المجموعة للكسر أو التلف، لا تقم بإدخالها في الشاحن. لا تقم بسحق مجموعة البطارية أو إسقاطها أو إتلافها. لا تستخدم مجموعة أو بطارية تكون قد تعرضت لضربة حادة أو تم إسقاطها أو المرور فوقها أو تعرضت للتلف بأية طريقة (كأن تتقرب بمسمار أو تضرب بمطرقة أو يتم المرور فوقها). حيث قد تحدث صدمة كهربائية أو وفاة جراء التعرض لها. يجب إعادة مجموعات البطاريات التالفة إلى مركز الخدمة لإعادة تدويرها.



تحذير: مخاطر الحريق. لا تقم بتخزين أو حمل مجموعة البطارية بحيث

تلمس الأشياء المعدنية أطراف البطارية المكشوفة. على سبيل المثال، لا تقم بوضع مجموعة البطارية في مزتر، أو جيوب، أو صناديق المعدات، أو صناديق قطع الغيار للمنتجات، أو أدراج، أو ما إلى ذلك، مع مسامير أو براغي أو مفاتيح سائبة أو ما إلى ذلك.



تنبه: عند عدم الاستخدام، ضع الأداة على جانبها على سطح مستوي حيث لا يمكن أن تحدث مخاطر السقوط أو الوقوع. تفت بعض الأدوات ذات البطارية الكبيرة بشكل مستقيم على مجموعة البطارية إلا أنه يسهل سقوطها.

### النقل



تحذير: مخاطر الحريق. يمكن أن يؤدي نقل البطاريات إلى اشتعال حرائق إذا تلامست أطراف توصيل البطارية عن غير قصد بمواد موصلة. عند نقل البطاريات، تأكد من أن أطراف توصيل البطارية محمية ومعزولة بشكل جيد عن المواد التي قد تتلامس معها وتسبب قصورًا في الدائرة.

**ملاحظة:** يجب عدم وضع بطاريات الليثيوم أيون في الحقائب التي يتم إخضاعها للفحص في المطارات.

تلتزم بطاريات DEWALT بجميع لوائح الشحن المعمول بها على النحو المحدد بواسطة معايير الصناعة والمعايير القانونية، والتي تتضمن "توصيات الأمم المتحدة بشأن نقل البضائع الخطرة"؛ لوائح اتحاد النقل الجوي الدولي (IATA) بشأن البضائع الخطرة، ولوائح النقل البحري الدولي بشأن البضائع الخطرة (IMDG)، والاتفاقيات الأوروبية المتعلقة بالنقل الدولي للبضائع الخطرة (ADR). تم اختبار خلايا وبطاريات ليثيوم أيون وفقًا للقسم 38.3 من دليل اختبار "توصيات الأمم المتحدة بشأن نقل البضائع الخطرة".

في أغلب الحالات، يكون شحن مجموعة بطارية DEWALT مستثنى من تصنيفه كمواد خطرة من الفئة 9 تخضع للتنظيم بشكل كامل. بصفة عامة، الشحنات التي تحتوي على بطارية ليثيوم أيون بمعدل طاقة أكبر من 100 وات في الساعة تتطلب الشحن مثل الفئة 9 التي تخضع للتنظيم بشكل كامل. جميع بطاريات ليثيوم أيون تحتوي على معدل واتساعة ممتز على المجموعة. بالإضافة إلى ذلك، وبسبب تعقيدات النظام، لا توصي DEWALT بالشحن الجوي لمجموعات بطاريات ليثيوم أيون منفردة بغض النظر عن معدل الوات في الساعة. يمكن شحن الأدوات التي تحتوي على بطاريات مجموعات كبيرة جدًا كاستثناء إذا كان معدل الوات في الساعة لمجموعة البطارية ليس أكبر من 100 وات ساعة.

وبغض النظر عما إذا كان الشحن يُنظر إليه أنه استثناء أو خاضع للتنظيم بشكل كامل، تقع على الشاحن مسؤولية الرجوع إلى أحدث متطلبات فيما يتعلق بلوائح التحريم، ووضع الملصقات/التبصير، والتوثيق.

المعلومات المتوفرة في هذا القسم من الدليل تتوفر بحسن نية ويُعتقد أنها دقيقة وقت إنشاء هذا المستند. ومع ذلك، لا تتوفر أي ضمانات، صريحة كانت أو ضمنية. وتقع على المشتري مسؤولية التأكد من التزام الأنشطة باللوائح المعمول بها.

### توصيات التخزين

1. أفضل مكان للتخزين هو المكان البارد والجاف البعيد عن أشعة الشمس المباشرة والحرارة أو البرد المفرط. لضمان العمر والأداء الأمثل للبطارية، خزن مجموعات البطاريات في درجة حرارة الغرفة عند عدم الاستخدام.

- افحص بحثًا عن أي تلف لحق بالأداة أو الأجزاء أو الملحقات يمكن أن يكون قد حدث أثناء النقل.
- خذ الوقت اللازم لقراءة هذا الدليل وافهمه جيدًا قبل التشغيل.

## علامات على الأداة

الصور التالية موضحة على الأداة:



اقرأ دليل التعليمات قبل الاستخدام.

## وضع كود التاريخ (الشكل A)

كود التاريخ 1 الذي يتضمن كذلك عام التصنيع، مطبوع في الغلاف.

مثال:

2022 XX XX

سنة التصنيع

## الوصف (الشكل A)

**تحذير:** لا تقم مطلقاً بتعديل الأداة الكهربائية أو أي جزء منها. فقد ينجح عن ذلك التلف أو الإصابة الشخصية.

1 مفتاح المشغل

2 زر التحكم للأمام/للخلف

3 حلقة ضبط الطوق المعدني

4 ميدل التروس

5 مصباح العمل

6 قابض لقمه بلا مفتاح

7 مجموعة البطارية

8 زر تحرير البطارية

9 المقبض الرئيسي للاستخدام المقصود

تم تصميم آلات الثقب/المفكات/المطرقية هذه للثقب الاحترافي والثقب بالثق واستخدامات تثبيت مسامير البرغي.

**لا تستخدم** في ظل الأحوال الجوية المطيرة، أو في وجود السوائل أو الغازات القابلة للاشتعال.

تعد آلات الثقب/المفكات/المطرقية أدوات كهربائية احترافية.

**لا تدع** الأطفال لمسون الأداة. يكون الإشراف أمرًا ضروريًا عند استخدام مشغل قليل الخبرة لهذه الأداة.

- هذا المنتج غير مخصص للاستخدام من قبل الأفراد بما في ذلك الأطفال الذين يعانون من قصور في القدرات الجسدية أو الحسية أو العقلية، وقلة الخبرة أو المعرفة أو المهارات ما لم يكونوا تحت إشراف من يتحمل مسؤولية سلامتهم. لا ينبغي أن يُترك الأطفال وحدهم مع هذا المنتج.

## عمليات التجميع والضبط

**تحذير:** لتقليل خطر التعرض للإصابة الشخصية الجسيمة، **قم بإيقاف تشغيل الأداة وفصل مجموعة البطارية قبل إجراء أي عمليات ضبط، أو إزالة/تركيب الملحقات أو الإكسسوارات.** قد يؤدي بدء التشغيل غير المقصود إلى حدوث إصابة.

**تحذير:** لا تستخدم سوى مجموعات بطاريات وشواحن DEWALT.

## إدخال وإزالة مجموعة البطارية من الأداة (الشكل B)

**ملاحظة:** للحصول على أفضل النتائج، تأكد من شحن مجموعة البطارية بالكامل قبل الاستخدام.

## تركيب مجموعة البطارية في مقبض الأداة

1. قم بمحاذاة مجموعة البطارية 7 مع القضبان داخل مقبض الأداة (الشكل ?).

2. قم بدفع مجموعة البطارية في المقبض حتى تستقر تمامًا في الأداة وتأكد من أنها لا تنفصل.

## إزالة مجموعة البطارية من الأداة

1. اضغط على زر تحرير البطارية 8 واسحب بإحكام مجموعة البطارية خارج مقبض الأداة.
2. أدخل مجموعة البطارية إلى الشاحن على النحو المذكور في قسم الشاحن من هذا الدليل.

اضغط على مفتاح الأداة لمدة ثلاث ثوانٍ لتبديد الشحن الكهربائي الخفيف الذي قد يكون مازال في الأداة. قد يعمل مصباح العمل لوهلة قصيرة.

## قياس طاقة مجموعات البطاريات (الشكل B)

تحتوي بعض مجموعات بطاريات DEWALT على مقياس طاقة، وهو يتكون من ثلاثة مصابيح LED خضراء، والتي بدورها تشير إلى مستوى الشحن المتبقي في مجموعة البطارية.

لتنشيط مقياس الطاقة، اضغط مع الاستمرار على زر مقياس الطاقة 11. ستمر إضاءة مزيج من مصابيح LED الثلاثة الخضراء لتعيين مستوى الشحن المتبقي. عندما يكون مستوى شحن البطارية أقل من الحد القابل للاستخدام، فلن يضيء مقياس الطاقة، وستحتاج البطارية إلى إعادة شحنها.

**ملاحظة:** إن مقياس الطاقة هو عبارة فقط عن إشارة لمستوى الشحن المتبقي في مجموعة البطارية. وهو لا يشير على وظائف الأداة وهو عرضة للتغير بناءً على مكونات المنتج ودرجة الحرارة واستخدامات المستخدم النهائي.

## مفتاح المشغل ذو السرعات المتغيرة (شكل A)

لتشغيل الأداة، اضغط على مفتاح المشغل 1. لإيقاف تشغيل الأداة، حرر مفتاح المشغل. إن الأداة الخاصة بك مجهزة بفرامل. حيث سيتوقف رأس المثقاب بمجرد تحرير مفتاح المشغل كليًا.

**ملاحظة:** إن الاستخدام المتواصل في نطاق السرعات المتغيرة غير مستحسن. فيجب تجنب ذلك حيث قد يتلف المفتاح.

## زر التحكم للأمام/للخلف (شكل A)

يحدد زر التحكم للأمام/للخلف 2 اتجاه الأداة وأيضًا يعمل كزر إيقاف في وضع الإيقاف. لتحديد التدوير للأمام، حرر مفتاح المشغل واضغط على زر التحكم للأمام/للخلف على الجانب الأيمن للأداة.

لتحديد التدوير للخلف، اضغط على زر التحكم للأمام/للخلف على الجانب الأيسر للأداة.

ويعمل الموضع الأوسط لزر التحكم على قفل الأداة في وضع الإيقاف. عند تغيير موضع زر التحكم، تأكد بتمر تحرير المشغل.

**ملاحظة:** في أول مرة يتم فيها تشغيل الأداة بعد تغيير اتجاه الدوران، قد تسمع صوت نقرة عند بدء التشغيل. وهذا أمر طبيعي ولا يشير إلى وجود مشكلة.

## حلقة ضبط الطوق المعدني (الشكل A)

إن الأداة الخاصة بك تحتوي على آلية مفك براغي يعزز الدوران قابل للتعديل لربط وإزالة مجموعة واسعة من المشابك بمختلف الأشكال والأحجام وفي بعض الطرز، آلية مطرقة للثقب في الأبنية. تدوير الحلقة 3 عبارة عن أرقام، ورمز لقمه الثقب، وفي بعض الطرز، رمز المطرقة. يتم استخدام هذه الأرقام لتعيين المقبض على نطاق عزم دوران المفك. وكلما ارتفع رقم الحلقة، زاد عزم الدوران وكبر المشبك الذي يمكن ربطه. لتحديد أية أرقام، قم بالتدوير حتى يكون الرقم المطلوب بمحاذاة السهم.

## تروس المجال المزدوج (الشكل A)

تتيح لك ميزة المجال المزدوج الخاصة بالمثقاب/المفك/المثقاب المطرقي تبديل التروس للحصول على قدر أكبر من التوسع.

1. لتحديد السرعة 1 إعداد عزم الدوران العالي، قم بإيقاف تشغيل الأداة والسماح لها أن تتوقف. قم بزلق ميدل التروس 4 للأمام ناحية رأس المثقاب.
2. لتحديد السرعة 2 إعداد عزم الدوران المنخفض، قم بإيقاف تشغيل الأداة والسماح لها أن تتوقف. قم بزلق ميدل التروس للخلف بعيدًا عن رأس المثقاب.

4. قم بإجراء بعض الممارسات في الخردة أو في المناطق غير الظاهرة لتحديد الموضع المناسب لثقوب رأس المثقاب.
5. قم دائماً بالبدء بإعدادات عزم دوران منخفضة، ثم تقدمم إلى إعدادات عزم الدوران الأعلى لتجنب تلف قطعة الشغل أو المشبك.

### تشغيل المثقاب (الشكل E)



تحذير: لتقليل خطر التعرض للإصابة الشخصية الجسيمة، قم بإيقاف تشغيل الأداة وفصلها من مصدر الطاقة قبل إجراء أي عمليات ضبط، أو إزالة/ تركيب الملحقات أو الإكسسوارات.



تحذير: لحد من خطر الإصابة الشخصية، تأكد دائماً من تثبيت قطعة العمل أو الإمسك بها بإحكام.. إذا كانت عملية الثقب تتم في مادة رقيقة، فاستخدم كتلة خشبية "داعمة" لمنع تلف المادة.

1. أدر الحلقة ③ إلى رمز المثقاب.
2. حدد مدى السرعة / عزم الدوران المطلوب باستخدام مبدل التروس ليتطابق مع سرعة وعزم دوران التشغيل المراد.
3. بالنسبة إلى الأشباب، استخدم اللقمات الملتوية أو لقمات المجراف أو لقمات البريمة الكهربيائية أو مناشير الثقب. بالنسبة إلى المعادن، استخدم لقمات الثقب الملتوية الصلبة ذات السرعة العالية أو مناشير الثقب. استخدم شحم تزييق للقطع عند إجراء عملية ثقب المعادن. يستثنى من ذلك قوالب الحديد والنحاس السببكية التي يجب ثقبها عندما تكون جافة.
4. قم دائماً بالضغط في شكل خط مستقيم على اللقمة. قم بالضغط بشكل كافي للحفاظ على لقمة الثقب في موضعها، لكن لا تفرط بالضغط بقوة تكفي لإيقاف المحرك أو انحراف القطعة.
5. قم بإمسك الأداة بثبات بكتنا يديك للتحكم في فعل الاتواء لعملية الثقب. إذا كان الطراز غير مجهز بمقبض جانبي، فأمسك المثقاب بيد بواحدة من المقبض واليد الأخرى من مجموعة البطارية.



تنبيه: قد يتوقف الثقب إذا ما أدى الحمل الزائد إلى التواء مفاجئ. توقع دوماً حدوث التوقف. قم بإمسك المثقاب بإحكام للتحكم في فعل الاتواء وتفادي حدوث إصابة.

6. في حالة توقف الثقب، فإنه هذا يرجع غالباً إلى الحمل الزائد أو الاستخدام غير السليم. حرر المشغل على الفور، وقر إزالة لقمة الثقب من العمل، وحدد سبب التوقف. لا تفرط بإيقاف تشغيل وتشغيل المثقاب في محاولة لاستكمال عملية ثقب متوقفة. فقد يؤدي هذا إلى الإضرار بالمثقاب.
7. لتقليل حدوث التوقف المفاجئ أو اختراق المادة، قم بخفض معدل الضغط على المثقاب وتخفيف القطعة اللقمة) عبر الجزء المجزأ من الفتحه.
8. حافظ على المحرك في حالة دوران أثناء سحب القطعة اللقمة) للخارج من الفتحة التي تم ثقبها. سيساعد ذلك على منع حدوث الانحشار.
9. باستخدام آلات الثقب ذات السرعة المتغيرة، لا توجد حاجة إلى الترخيم المركزي للنقطة المراد ثقبها. استخدم السرعة المنخفضة لبدء عمل الثقب والتعجيل بإنشائه عن طريق الضغط على المشغل بقوة أكبر عندما يكون الثقب عميقاً بشكل يكفي لثقبه بدون قذف اللقمة للخارج.

### تشغيل المثقاب المطرقي (الشكل F)

#### نقط DCD776 فقط

1. أدر الحلقة ③ إلى رمز المثقاب المطرقي.
2. حدد إعداد السرعة العالية بسحب المحدد للخلف بعيداً عن رأس المثقاب. هام: استخدم اللقمات الملتوية بالكرديد أو لقمات الأئبنة فقط.
3. قم بالثقب بالضغط فقط بقوة كافية على المطرقة لمنعها من الارتداد بشكل مفرط أو قذف "لللقمة". إن الضغط بقوة أكبر من اللازم سيؤدي إلى سرعات ثقب أبطأ وارتفاع درجة الحرارة ومعدل ثقب أقل.
4. قم بالثقب بشكل مستقيم، مع الحفاظ على اللقمة في زاوية صحيحة للعمل. لا تبدل ضغطاً جانبياً على اللقمة أثناء الثقب، لأن هذا سيؤدي إلى انسداد خدد اللقمات وسرعة ثقب أبطأ.

**ملاحظة:** لا تقم بتغيير التروس أثناء عمل الأداة. اترك دائماً المثقاب حتى يتوقف تماماً قبل تغيير التروس. إذا واجهتك مشكلات في تغيير التروس، فتأكد من دفع مبدل تروس النطاق المزود للامام بالكامل، أو تأكد من سحبه للخلف بالكامل.

### مصباح العمل (الشكل A)

هناك مصباح عمل ⑤ موجود فوق مفتاح المشغل مباشرة. ويتم تشغيل مفتاح العمل عند الضغط على مفتاح المشغل. وعند تحرير المشغل، تستمر إضاءة مصباح العمل حتى 20 ثانية.

**ملاحظة:** إن المقصود من مصباح العمل هو إضاءة سطح العمل الحالي وليس استخدام ككشاف.

### رأس مثقاب كمر فردي بلا مفاتيح (الأشكال G-I)



تحذير: لا تحاول إحكام ربط لقمات الثقب (أو أي ملحقات أخرى) عن طريق الإمسك بالجزء الأمامي من رأس المثقاب وتشغيل الأداة. فقد يؤدي ذلك إلى تلف رأس المثقاب وقد ينجم عنه إصابة شخصية. قم دائماً بتأمين إيقاف مفتاح المشغل وافصل الأداة عن مصدر الطاقة عند تغيير الملحقات.



تحذير: تأكد دائماً من تأمين اللقمة قبل بدء تشغيل الأداة. قد تخرج اللقمة المفكوكه من الأداة مسببة إصابة شخصية محتملة.

تتميز الأداة الخاصة بك برأس مثقاب بلا مفاتيح ⑥ مع كمر تدوير واحد لتشغيل رأس المثقاب بيد واحدة. لإدخال لقمة الثقب أو أي ملحق آخر، اتبع هذه الخطوات.

1. أغلق الأداة وقر فصلها من مصدر الطاقة.
  2. أمسك الكمر الأسود لرأس المثقاب بيد واحدة واستخدام اليد الأخرى لتأمين الأداة. أدر الكمر عكس عقارب الساعة بعيداً بما فيه الكفاية لقبول الملحق المطلوب.
  3. أدخل الملحق حوالي 19 مم (3/4 بوصة) في رأس المثقاب وشدد ربطه عن طريق تدوير كمر رأس المثقاب باتجاه عقارب الساعة بيد واحدة بينما تمسك الأداة باليد الأخرى. تم تجهيز الأداة الخاصة بك بألية قفل عمود الدوران تلقائياً. وهذا يتيح لك فتح وغلق رأس المثقاب بيد واحدة.
- تأكد من ربط رأس المثقاب بيد واحدة من كمر رأس المثقاب والإمسك بالأداة باليد الأخرى للحصول على أقصى إحكام.
- لتحرير الملحق، كرر الخطوات 1 و 2 أعلاه.

### تعليمات الاستخدام



تحذير: التزم دوماً بتعليمات الأمان واللوائح المعمول بها.



تحذير: لتقليل خطر التعرض للإصابة الشخصية الجسيمة، قم بإيقاف تشغيل الأداة وفصل مجموعة البطارية قبل إجراء أي عمليات ضبط، أو إزالة/ تركيب الملحقات أو الإكسسوارات. قد يؤدي بدء التشغيل غير المقصود إلى حدوث إصابة.

### الوضع اليدوي الصحيح (الشكل C)



تحذير: لتقليل خطر حدوث الإصابة الشخصية الجسيمة، استخدم دوماً الوضع اليدوي الملائم كما هو موضح.



تحذير: لخفض خطر التعرض للإصابة الجسدية الجسيمة،

يتطلب موضع اليد الصحيح وضد يد واحدة على الجزء العلوي من المثقاب كما هو موضح، مع وجود اليد الأخرى على المقبض الرئيسي ⑨.

### تشغيل مفك البراغي (الشكل D)

1. حدد مدى السرعة / عزم الدوران المطلوب باستخدام محدد تروس المجال المزود ليتطابق مع سرعة وعزم دوران التشغيل المراد.
2. أدر حلقة ضبط عزم الدوران ③ إلى الموضع المطلوب. تشير الأرقام الأقل إلى إعدادات عزم دوران أكثر انخفاضاً، وتشير الأرقام الأعلى إلى إعدادات عزم دوران أعلى.
3. أدخل ملحق المشبك المراد في رأس المثقاب كما تفعل مع أي لقمة ثقب.

5. عند ثقب الحفر العميقة، في حالة انخفاض سرعة المطرقة، فاسحب اللقمة بشكل جزئي خارج الثقب مع مواصلة تشغيل الأداة للمساعدة في إزالة الحطام من الثقب. **ملاحظة:** يشير التدفق السلس للأثرية من الفتحة إلى معدل ثقب ملائم.

## الصيانة

تم تصميم الأداة الكهربائية DEWALT الخاصة بك للعمل خلال فترة زمنية طويلة مع أدنى حد من الصيانة. يعتمد التشغيل المرضي المتواصل على العناية الملائمة بالأداة وتطفيها بشكل منتظم.

**تحذير:** لتقليل خطر التعرض للإصابة الشخصية الجسيمة، **قم بإيقاف تشغيل الأداة وفصل مجموعة البطارية قبل إجراء أي عمليات ضبط، أو إزالة/ تركيب الملحقات أو الإكسسوارات.** قد يؤدي بدء التشغيل غير المقصود إلى حدوث إصابة.

لا تتم صيانة الشاحن ومجموعة البطارية.



## التشحيم

لا تحتاج الأداة الكهربائية الخاصة بك إلى أي تشحيم إضافي.



## التنظيف

**تحذير:** قم بنفخ الأتربة والغبار خارج التجويف الرئيسي بواسطة الهواء الجاف عدد أكبر من المرات في حال مشاهدة تجمع الأتربة بداخل المنافذ الهوائية وحولها. قم بارتداء واقي العين المعتمد وكمامة الأتربة المعتمدة عند تنفيذ هذا الإجراء.

**تحذير:** لا تقم مطلقاً باستخدام مذيبات أو أي مواد كيميائية قاسية أخرى لتنظيف الأجزاء غير المعدنية بالأداة. إذ قد تضعف هذه المواد الكيميائية من المواد المستخدمة في هذه الأجزاء. استخدم قطعة قماش مبتلة بالماء والصابون الخفيف فقط. لا تسمح قط بدخول أي سائل إلى الأداة، ولا تقم مطلقاً بغمر أي جزء من الأداة في السائل.

## الملحقات الاختيارية

**تحذير:** نظراً لأن الملحقات، بخلاف تلك التي اعتمدها DEWALT، لم تخضع للاختبار مع هذا المنتج، فإن استخدام مثل هذه الملحقات مع الأداة قد يشكل خطورة. لتقليل خطر وقوع إصابة، يجب استخدام ملحقات DEWALT الموصى بها فقط مع هذا المنتج.

استشر وكيلك لمعرفة المزيد من المعلومات حول الملحقات الملائمة.

## حماية البيئة

التجميع المنفصل. يجب عدم التخلص من المنتجات والبطاريات المحددة بهذا الرمز من خلال القمامة المنزلية العادية. فهذه المنتجات والبطاريات تحتوي على مواد يمكن استعادتها أو إعادة تدويرها لخفض الطلب على المواد الخام الرجاء التخلص من المنتجات الكهربائية والبطاريات وفقاً للقوانين المحلية. توجد معلومات إضافية متوفرة على الموقع



[www.2helpU.com](http://www.2helpU.com)

## مجموعة البطارية القابلة لإعادة الشحن

يجب إعادة هذه البطارية طويلة العمر عندما تعجز عن توفير طاقة كافية لأداء المهام التي كان يسهل القيام بها من قبل. في نهاية العمر الفني للبطارية، تخلص منها مع مراعاة العناية البيئية الواجبة.

- أوقف مجموعة البطارية عن العمل بالكامل، ثم قم بإزالتها من الأداة.
- خلايا الليثيوم أيون قابلة لإعادة التدوير. خذها إلى البائع أو مركز إعادة التدوير المحلي. سيتم إعادة تدوير مجموعات البطاريات المجمع أو التخلص منها بصورة مناسبة.







<b>Afghanistan</b>	Ariana Hafiz Zabi Co. Ltd. Dahan Bagh Squire Karte Ariana, Kabul, Afghanistan	info@arianahafiz.com	Tel: 93-0-799331079 Fax: 93-0-70007576 / 93-0-799331079
<b>Algeria</b>	Sarl Outillage Corporation 08, Rue Med Boudiaf (ex TELLA Achen) Cheraga, Alger	hakim.merdjadi@outillage-dz.com lyes@outillage-dz.com Mail:faiza@outillage-dz.com; sidahmed@outillage-dz.com	Tel: 213-0-21375130 213-0-21375131 Fax: 213-0-21369667
<b>Angola</b>	Angoferraria, Lda. Rua Robert Shields, nº 61, Luanda, Angola	angoferraria@gmail.com sequeira.angoferraria@gmail.com	Tel: 244-222-395837 / 244-222-395034 Fax: 244-222-394790
<b>Azerbaijan</b>	Royalton Holdings Ltd. 41 Khagani St. Apt. 47 AZ1001 Baku- Azerbaijan	jai@royaltonholdings.com office@royaltonholdings.com	Tel: 994-12-4935544 Fax: 994-12-5980378
<b>Egypt</b>	EfFarab S.A.E. 15-Nabil El Wakkad Street, Dokki, Giza, Egypt	efarab@efarab.com adel.ezzat@efarab.com mahmoud.elhosseiny@efarab.com	Tel: 202-37603946 Fax: 202-33352796
<b>Ethiopia</b>	Seif Tewfik Sherif Arada Sub City, Kebele 01/02, Global Insurance Bldg., 2nd Flr., Room 43, P.O. Box 2525, Addis Ababa	seif@ethionet.et nawanag@ethionet.et	Tel: 251-11-1563968 251-11-1563969 Fax: 251-11-1558009
<b>Iraq</b>	Al-Sard Co. for General Trading Ltd Jbara Bldg. 3Flr. Al Rasheed St., Baghdad, Iraq	dewalt.service@yahoo.com	Tel: 964-18184102
<b>Jordan</b>	Amman West Stores-Bashiti 210 Garden St. Tla'a Ali, P.O. Box 1564 Tla Ali Amman 11953, Jordan	ali@bashitstores.com yousef@bashitstores.com	Tel: 962-6-5350009 Fax: 962-6-5350012
<b>Kenya</b>	Dextron Tools Ltd. P.O. Box 20121-00200, Shariff House, Kirimathi Street, Nairobi	info@aibhaishariff.co.ke dextron@aibhaishariff.co.ke	Tel: 254-20-6905000 254-20-2358021 Fax: 254-20-6905111 / 254-20-6905112
<b>Lebanon</b>	Est. Shaya & Azar S.A.R.L. Boulevard Jdeideh - Mar Takla - Bouchrieh . P.O. Box 90545, Jdeideh, Beirut -- Lebanon	shayazar@dm.net.lb	Tel: 961 1 872305 961 1 872306 Fax: 961 1 872303
<b>Libya</b>	North Africa Trading ( El Ghoul Brothers) P.O. Box 348, 7 October Street 11 Benghazi	maryam_farooq2003@yahoo.com nagte@eim.ae dewalt_libya@yahoo.com	Tel: 218-061-3383994 Fax: 218-092-7640688
	North Africa Trading ( El Ghoul Brothers) AlBarniq DEWALT Center, Mokhazin-elsukar St. Efallah, Tripoli	dewalt_libya@yahoo.com	Tel: 218-021-3606430 Fax: 218-092-6514813
	North Africa Trading ( El Ghoul Brothers) AlHilal Service Center Tawergha St., Misurata		Tel: 218-091-3221408
<b>Mauritius</b>	Robert Le Marie Limited Old Moka Road, Bell Village, P.O. Box 161, Port Louis	a.blackburn.rlm@rlmgroup.mu jm.pierrelouis.rlm@rlmgroup.mu	Tel: 230-212 1865 230-212 2847 Fax: 230-2080843
<b>Morocco</b>	Ets Louis Guillaud & Cie 31, Rue Pierre Parent, Casablanca – 21000	boumadiane.azedine@elg.ma doukkali.marouane@elg.ma	Tel: 522-301446 / 305971 / 317815 / 315576 Fax: 522-444518 / 317888
<b>Nigeria</b>	Meridian Power Tools Ltd. Gr. Floor, #1 Alhaji Masha Rd, Next to Tolesim Balogun Stadium, Near National Stadium Surulere, Lagos, Nigeria	braj@meridian-nigeria.com	Tel: 234-1-7740431 234-1-7740410 Fax: 234-1-7913798
<b>Pakistan</b>	Northern Toolings (Pvt) Ltd.-Lahore 86- Railway Road, Lahore – 7 Pakistan	zhayee@northern.pk import@northern.pk sales@northern.pk	Tel: 92-423-7651220 92-423-7641675 Fax: 92-423-7641674
	Northern Toolings (Pvt) Ltd.-Karachi 224-231 Industrial Town Plaza, Shahrah-e-Liaquat, Karachi, Pakistan	karachibr@northern.pk	Tel: 92-213-2465307 92-213-2465307 Fax: 92-213-2465301
	Northern Toolings (Pvt) Ltd.-Taxila Al-Rehman Plaza, Opposite Tehsil Court, Faisal Shaheed Road, Taxila	taxilabr@northern.pk	Tel: 92-51-4545811 Fax: 92-51-4544194
<b>South Africa</b>	Benray Tool Wholesalers C.C. 91 Turffontein Road, Stafford, Johannesburg, 2001 P.O. Box 260037 EXCOM 2023, South Africa	dewaltservice@benray.co.za zain@benray.co.za shafiq@benray.co.za	Tel: 27-11-6838350 Fax: 27-11-6837456
<b>Tanzania</b>	General Motors Investment Ltd. 14 Vingunguti-Nyerere Road, P.O.Box 16541, Dar es Salaam, Tanzania	ezra@gmi-tz.com info@gmi-tz.com chivelesa@yahoo.com	Tel: 255-22-2865022 / 2862661 / 2862671 / 2862659 Fax: 255-22-2862667
<b>Tunisia</b>	Ets. Mohamed Ghorbel 03 Rue 8603 Charguia I Tunis. Postal Code 2035	slim.ghorbel@gnet.tn moh.ghorbel@gnet.tn mourad.ghorbel@gnet.tn	Tel: 216-71794248 216-71793848 Fax: 216-71770759
<b>Uganda</b>	The Building Center ( 21 ) Ltd. 52 Station Road, Kitgum House, P.O. Box 7436 Kampala, Uganda	tbc@africaonline.co.ug chris@tbcu.co.ug	Tel: 256-041-4234567 256-041-4259754 Fax: 256-041-4236413
<b>Yemen</b>	Middle East Trading Co. (METCO) 5th Flr. Hayel Saeed Anam Bldg. Al-Mugamma St. Taiz, Yemen	tamer.metco@gmail.com tamer@metcotrading.com metco@metcotrading.com sami@metcotrading.com	Tel: 967-4-213455 Fax: 967-4-219869
	Middle East Trading Co. (METCO) Mualla Dikka, Aden	tamer.metco@gmail.com tamer@metcotrading.com metco@metcotrading.com	Tel: 967-2-222670 Fax: 967-2-222670
	Middle East Trading Co. (METCO) Hayel st., Sanā'a, Yemen	tamer.metco@gmail.com tamer@metcotrading.com metco@metcotrading.com	Tel: 967-1-204201 Fax: 967-1-204204

<b>UAE</b>	Black & Decker (Overseas) GmbH P.O. Box 5420, Dubai	service.mea@blackdecker.com	Tel: 971-4 8127400 / 8127406 Fax: 971-4 2822765
	Ideal Star Workshop Egmt. Trading LLC P.O. Box 37116, Al Quoz, Dubai	idealeq@emirates.net.ae	Tel: 971-4 3474160 Fax: 971-4 3474157
	Alebrah Engineering Service P.O. Box 78954, Al Qusais, Dubai	alebrah@eim.ae	Tel: 971-4 2850044 Fax: 971-4 2844802
	Burj Al Madeena Industrial Area No. 1, opp. Pakistani Masjid P.O. Box 37635, Sharjah	dewaltuae@hotmail.com	Tel: 971-6 5337747 Fax: 971-6 5337719
	McCoy Middle East LLC P.O. Box 25793, Sharjah	mccoy@emirates.net.ae	Tel: 971-6 5395931 Fax: 971-6 5395932
	McCoy Middle East LLC P.O. Box 10584, Ras Al Khaimah	mccoyrak@gmail.com	Tel: 971-7 2277095 Fax: 971-7 2277096
	Al Sukoon Gen. Trdg. Co. LLC P.O. Box 2975, Ajman	sukoon@eim.ae	Tel: 971-6 7435725 / 7438317 Fax: 971-6 7437350
	Zillion Equipment and Spare Parts Trading LLC P.O. Box 19740, opp. Bin Sadal / Trimix Redymix Sanaiya, Al Ain	zilliontrdg@gmail.com	Tel: 971-3 7216690 Fax: 971-3 7216103
	Light House Electrical, Abu Dhabi Branch P.O. Box 120, Abu Dhabi	dewalt_lhe@hotmail.com	Tel: 971-2 6726131 Fax: 971-2 6720667
	Light House Electrical, Musaffah Branch P.O. Box 120, Abu Dhabi	dewalt_lhe@hotmail.com	Tel: 971-2 5548315 Fax: 971-2 5540461
<b>Bahrain</b>	Alfouz Services Co. WLL P.O. Box 26562, Tubli, Manama	alfouz@batelco.com.bh	Tel: 973 17783562 / 17879987 Fax: 973 17783479
	Kavalani & Sons W.L.L. P.O. Box 71, Sitra, Manama	info@kavalani.com pradeep@kavalani.com	Tel: 973 17732888 Fax: 973 17737379
<b>Kuwait</b>	Al Omar Technical Co. P.O. Box 4062, Safat 13041, Kuwait	alexotc@usa.net	Tel: 965 24848595 / 24840039 Fax: 965 24845652
	Fawaz Al Zayani Establishment P.O. Box 42426, Shop No.18, Al Humazi Commercial Complex, Khalifa Al Jassim, Shuwaikh	dewaltkuwait@hotmail.com	Tel: 965 24828710 Fax: 965 24828716
	Fawaz Al Zayani Establishment Fahaheel Industrial Area, Main St., Sanaya	dewaltkuwait@hotmail.com	Tel: 965 23925830 Fax: 965 24828716
	Al Jizzi Company LLC P.O. Box 1704, P.C. 112, Ruwi	aljizzied@omantel.net.om jizzi10@omantel.net.om	Tel: 968 24832618 / 24835153 Fax: 968 24831334 / 24836460
Al Hassan Technical & Construction Supplies Co. LLC P.O. Box 1948, P.C. 112, Ruwi	hamriya.sr@al-hassan.com abrar.h@al-hassan.com	Tel: 968 24810575 / 24837054 Fax: 968 24810287 / 24833080	
Oman Hardware Co. LLC P.O. Box 635, Ruwi Postal Code 112	omanhard@omantel.net.om	Tel: 968 24815131 Fax: 968 24816491	
Khimji Ramdas P.O. Box 19, Post Code 100, Ghala, Muscat	bilal.m@khimjiaramdas.com	Tel: 968 24595906/907 Fax: 968 24852752	
<b>Qatar</b>	Teysseer Industrial Supplies & Services Co. WLL 55, Al Wakalat St. (Between St. 18 & 19) Salwa Industrial Area, P.O. Box 40523 Doha	manish@tissco-qatar.com tool.service@tissco-qatar.com	Tel: 974 4581536 Fax: 974 4682024
	Shaheen Electrical Works & Trading Co. WLL Gate 34, St. 44 Industrial Area P.O. Box 9756, Doha	shaheeneel@gmail.com	Tel: 974 460 02 30 / 460 05 25 Fax: 974 460 13 38
<b>KSA</b>	Industrial Material Organization (IMO) P.O. Box 623, Rail Street, Riyadh	service@imo.com.sa	Tel: 966-1 4028010 Ext. 26 Tel: 966-1 8001245757 Fax: 966-1 4037970
	Fawaz Ebrahim Al Zayani Trading Est. P.O. Box 76026, Al Raka : 31952	dewaltammam@hotmail.com	Tel: 966-3 8140914 Fax: 966-3 8140824
	MSS (Al-Mojil Supply & Services) P.O. Box 450, Jubail 31951 Opp-Gulf Bridge Library & Riyadh House	mssjubail@almojilservices.com alex.chang@almojilservices.com	Tel: 966-3 3612850 / 3624487 Tel: 966-3 3621729 Fax: 966-3 3623589 / 3620783
	EAC (Al Yousef Contg. & Trdg. Est.) P.O. Box 30377, Jeddah -21477	gulamkibria77@yahoo.com	Tel: 966-2 6519912 Fax: 966-2 6511153
	Mohamed Ahmed Bin Afif Est. P.O. Box 530, Yanbu, Al Bahr	binafifyanbu@hotmail.com	Tel: 966-4 3222626 / 3228867 Fax: 966-4 3222210
	Garziz Trading for Bldg Mat & Decoration P.O. Box 3364, Madina	agarziz@yahoo.com	Tel: 966-4 826 14 90 / 822 76 36 Fax: 966-4 826 57 41
	Sultan Garment Factory (RSC) P.O. Box 29912, Riyadh 11467	rscservice@digil.net.sa	Tel: 966-1 4055148 / 4042889 Fax: 966-1 4055148
	Al Bawardi Tools & Hardware P.O. Box 112, Dammam 31411	asattar@albawardi.com nibanez@albawardi.com	Tel: 966-3 8330780 Ext. 24 Tel: 966-3 8348585 Ext. 24 Fax: 966-3 8336303
	Al Bawardi Tools & Hardware P.O. Box 68, Riyadh 11411	rbaltao@albawardi.com asamad@albawardi.com	Tel: 966-1 4484999 Tel: 966-3 4487877
	Al Bawardi Tools & Hardware P.O. Box 16905, Jeddah 21474	sharadj@albawardi.com fgaber@albawardi.com	Tel: 966-2 6444547 / 6439035 Tel: 966-2 6456095 Fax: 966-2 6439024