
DEWALT

DWE8200T
DWE8200S
DWE8210S
DWE8200PL
DWE8210PL

www.DEWALT.com

English (<i>original instructions</i>)	03
繁體中文	14
한글판	23
BAHASA INDONESIA	33
ภาษาไทย	46
TI. NG VI. T	57

Figure 1

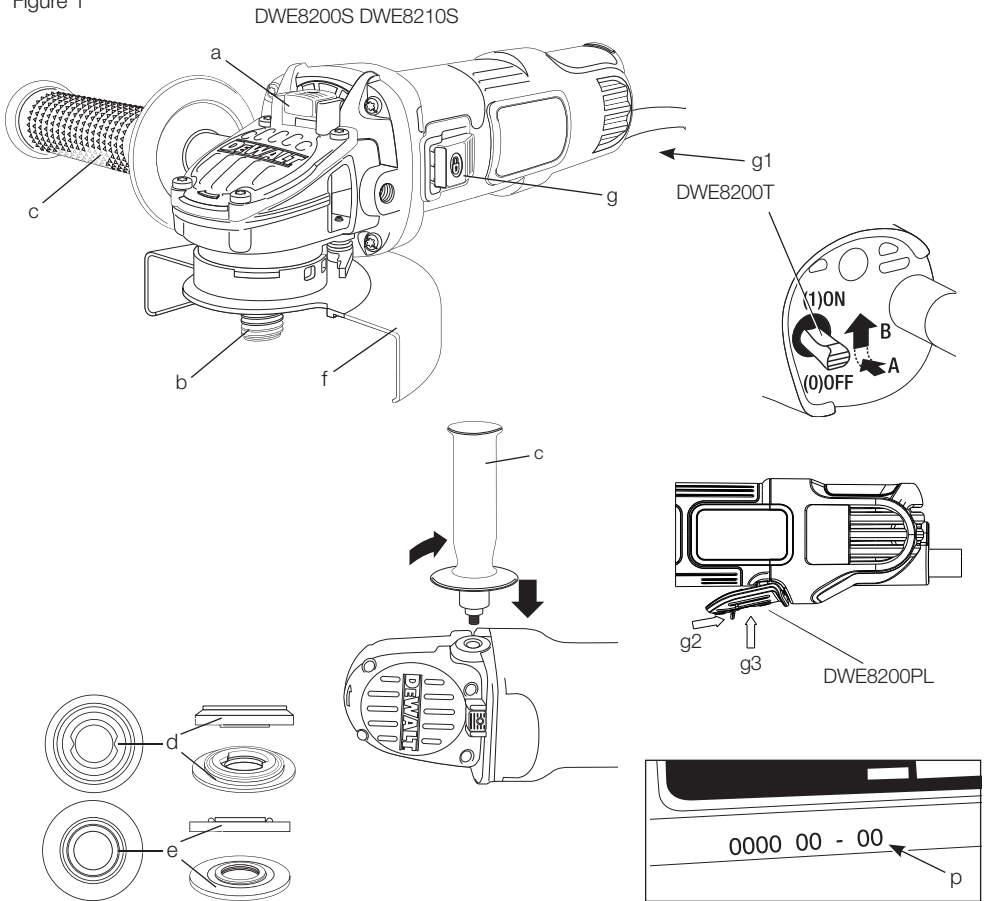


Figure 2

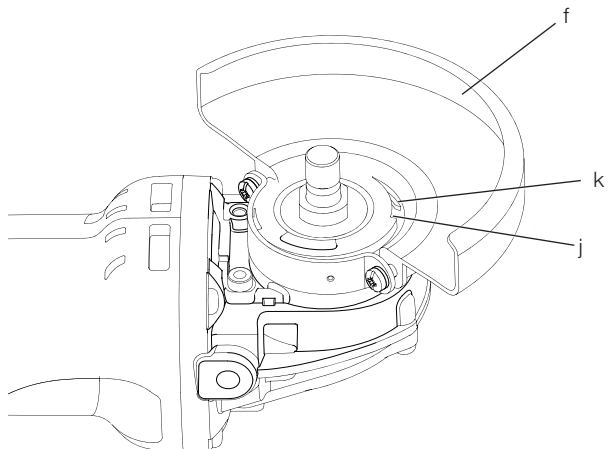


Figure 3

DWE8200S DWE8210S

DWE8200T

DWE8200PL

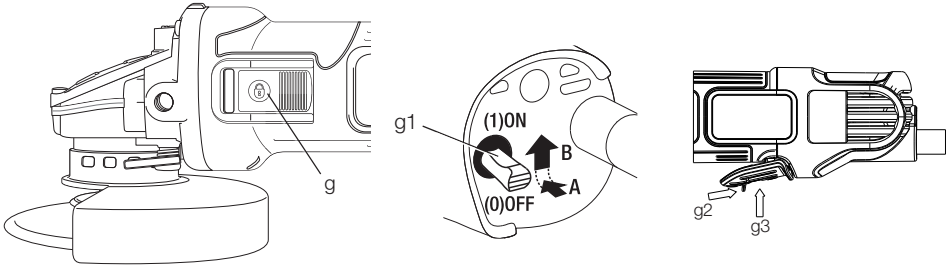


Figure 4

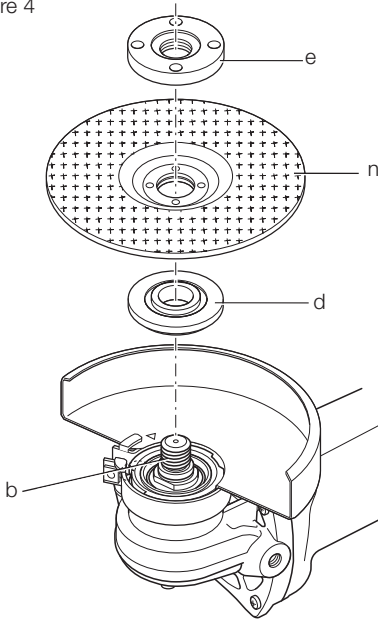


Figure 5

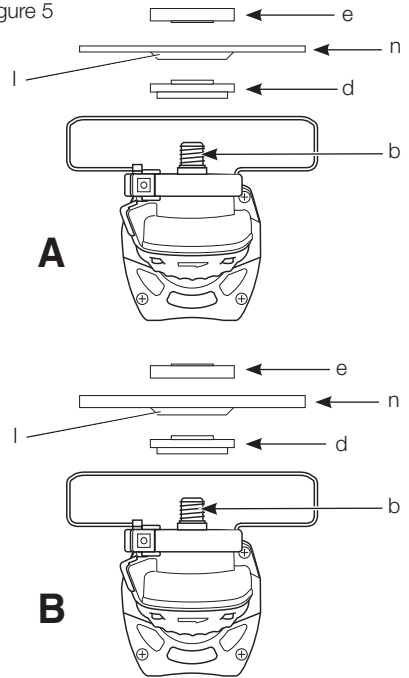
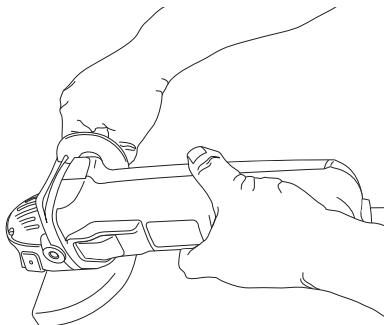


Figure 6



ANGLE GRINDERS

DWE8200T, DWE8200S, DWE8200PL, DWE8210S, DWE8210PL,

Congratulations!

You have chosen a DEWALT tool. Years of experience, thorough product development and innovation make DEWALT one of the most reliable partners for professional power tool users.

Technical Data

			DWE8200T	DWE8200S	DWE8200PL	DWE8210S	DWE8210PL
Voltage	B1/XD	V	220-240	220-240	220-240	220-240	220-240
	B1LV		110	110	110	110	110
Type			1	1	1	1	1
Power input		W	850	850	850	850	850
No-load/rated speed		/min	12000	12000	12000	12000	12000
Wheel diameter		mm	100	100	100	125	125
Sprindle diameter			M10	M10	M10	M14	M14
Switch style			toggle	slide	paddle	slide	paddle
Weight		kg	1.75*	1.75*	1.75*	1.95*	1.95*

* weight without side handle, cordset and wire; with guard and flanges.

Definitions: Safety Guidelines

The definitions below describe the level of severity for each signal word. Please read the manual and pay attention to these symbols.



DANGER: Indicates an imminently hazardous situation which, if not avoided, **will result in death or serious injury.**



WARNING: Indicates a potentially hazardous situation which, if not avoided, **could result in death or serious injury.**



CAUTION: Indicates a potentially hazardous situation which, if not avoided, **may result in minor or moderate injury.**

NOTICE: Indicates a practice **not related to personal injury** which, if not avoided, **may result in property damage.**



Denotes risk of electric shock.



Denotes risk of fire.



WARNING: To reduce the risk of injury, read the instruction manual.

General Power Tool Safety Warnings



WARNING! Read all safety warnings and all instructions. Failure to follow the warnings and instructions may result in electric shock, fire and/or serious injury.

SAVE ALL WARNINGS AND INSTRUCTIONS FOR FUTURE REFERENCE

The term "power tool" in the warnings refers to your mains-operated (corded) power tool or battery-operated (cordless) power tool.

1) WORK AREA SAFETY

- Keep work area clean and well lit.** Cluttered or dark areas invite accidents.
- Do not operate power tools in explosive atmospheres, such as in the presence of flammable liquids, gases or dust.** Power tools create sparks which may ignite the dust or fumes.
- Keep children and bystanders away while operating a power tool.** Distractions can cause you to lose control.

2) ELECTRICAL SAFETY

- Power tool plugs must match the outlet. Never modify the plug in any way. Do not use any adapter plugs with earthed (grounded) power tools.** Unmodified plugs and matching outlets will reduce risk of electric shock.

- b) **Avoid body contact with earthed or grounded surfaces such as pipes, radiators, ranges and refrigerators.** There is an increased risk of electric shock if your body is earthed or grounded.
- c) **Do not expose power tools to rain or wet conditions.** Water entering a power tool will increase the risk of electric shock.
- d) **Do not abuse the cord. Never use the cord for carrying, pulling or unplugging the power tool. Keep cord away from heat, oil, sharp edges or moving parts.** Damaged or entangled cords increase the risk of electric shock.
- e) **When operating a power tool outdoors, use an extension cord suitable for outdoor use.** Use of a cord suitable for outdoor use reduces the risk of electric shock.
- f) **If operating a power tool in a damp location is unavoidable, use a residual current device (RCD) protected supply.** Use of an RCD reduces the risk of electric shock.

3) PERSONAL SAFETY

- a) **Stay alert, watch what you are doing and use common sense when operating a power tool. Do not use a power tool while you are tired or under the influence of drugs, alcohol or medication.** A moment of inattention while operating power tools may result in serious personal injury.
- b) **Use personal protective equipment. Always wear eye protection.** Protective equipment such as dust mask, non-skid safety shoes, hard hat, or hearing protection used for appropriate conditions will reduce personal injuries.
- c) **Prevent unintentional starting. Ensure the switch is in the off position before connecting to power source and/or battery pack, picking up or carrying the tool.** Carrying power tools with your finger on the switch or energising power tools that have the switch on invites accidents.
- d) **Remove any adjusting key or wrench before turning the power tool on.** A wrench or a key left attached to a rotating part of the power tool may result in personal injury.
- e) **Do not overreach. Keep proper footing and balance at all times.** This enables better control of the power tool in unexpected situations.
- f) **Dress properly. Do not wear loose clothing or jewellery. Keep your hair,**

clothing and gloves away from moving parts. Loose clothes, jewellery or long hair can be caught in moving parts.

- g) **If devices are provided for the connection of dust extraction and collection facilities, ensure these are connected and properly used.** Use of dust collection can reduce dust-related hazards.

4) POWER TOOL USE AND CARE

- a) **Do not force the power tool. Use the correct power tool for your application.** The correct power tool will do the job better and safer at the rate for which it was designed.
- b) **Do not use the power tool if the switch does not turn it on and off.** Any power tool that cannot be controlled with the switch is dangerous and must be repaired.
- c) **Disconnect the plug from the power source and/or the battery pack from the power tool before making any adjustments, changing accessories, or storing power tools.** Such preventive safety measures reduce the risk of starting the power tool accidentally.
- d) **Store idle power tools out of the reach of children and do not allow persons unfamiliar with the power tool or these instructions to operate the power tool.** Power tools are dangerous in the hands of untrained users.
- e) **Maintain power tools. Check for misalignment or binding of moving parts, breakage of parts and any other condition that may affect the power tool's operation. If damaged, have the power tool repaired before use.** Many accidents are caused by poorly maintained power tools.
- f) **Keep cutting tools sharp and clean.** Properly maintained cutting tools with sharp cutting edges are less likely to bind and are easier to control.
- g) **Use the power tool, accessories and tool bits etc., in accordance with these instructions taking into account the working conditions and the work to be performed.** Use of the power tool for operations different from those intended could result in a hazardous situation.

5) SERVICE

- a) **Have your power tool serviced by a qualified repair person using only identical replacement parts.** This will ensure that the safety of the power tool is maintained.

ADDITIONAL SPECIFIC SAFETY RULES

Safety Instructions for All Operations

- a) **This power tool is intended to function as a grinder, sander, wire brush, polisher or cut-off tool. Read all safety warnings, instructions, illustrations and specifications provided with this power tool. Failure to follow all instructions listed below may result in electric shock, fire and/or serious injury.**
- b) **Do not use accessories which are not specifically designed and recommended by the tool manufacturer.** Just because the accessory can be attached to your power tool, it does not assure safe operation.
- c) **The rated speed of the accessory must be at least equal to the maximum speed marked on the power tool.** Accessories running faster than their rated speed can break and fly apart.
- d) **The outside diameter and the thickness of your accessory must be within the capacity rating of your power tool.** Incorrectly sized accessories cannot be adequately guarded or controlled.
- e) **The arbour size of wheels, flanges, backing pads or any other accessory must properly fit the spindle of the power tool.** Accessories with arbour holes that do not match the mounting hardware of the power tool will run out of balance, vibrate excessively and may cause loss of control.
- f) **Do not use a damaged accessory. Before each use inspect the accessory such as abrasive wheel for chips and cracks, backing pad for cracks, tear or excess wear, wire brush for loose or cracked wires. If power tool or accessory is dropped, inspect for damage or install an undamaged accessory. After inspecting and installing an accessory, position yourself and bystanders away from the plane of the rotating accessory and run the power tool at maximum no-load speed for one minute.** Damaged accessories will normally break apart during this test time.
- g) **Wear personal protective equipment. Depending on application, use face shield, safety goggles or safety glasses. As appropriate, wear dust mask, hearing protectors, gloves and workshop apron capable of stopping small abrasive or workpiece fragments.** The eye protection must be capable of stopping flying debris generated by various operations. The dust mask or respirator must be capable of filtering particles generated by your operation. Prolonged exposure to high intensity noise may cause hearing loss.
- h) **Keep bystanders a safe distance away from work area. Anyone entering the work area must wear personal protective equipment.** Fragments of workpiece or of a broken accessory may fly away and cause injury beyond immediate area of operation.
- i) **Hold power tool by insulated gripping surfaces only, when performing an operation where the cutting accessory may contact hidden wiring or its own cord.** Cutting accessory contacting a "live" wire may make exposed metal parts of the power tool "live" and could give the operator an electrical shock.
- j) **Position the cord clear of the spinning accessory.** If you lose control, the cord may be cut or snagged and your hand or arm may be pulled into the spinning accessory.
- k) **Never lay the power tool down until the accessory has come to a complete stop.** The spinning accessory may grab the surface and pull the power tool out of your control.
- l) **Do not run the power tool while carrying it at your side.** Accidental contact with the spinning accessory could snag your clothing, pulling the accessory into your body.
- m) **Regularly clean the power tool's air vents.** The motor's fan will draw the dust inside the housing and excessive accumulation of powdered metal may cause electrical hazards.
- n) **Do not operate the power tool near flammable materials.** Sparks could ignite these materials.
- o) **Do not use accessories that require liquid coolants.** Using water or other liquid coolants may result in electrocution or shock.

FURTHER SAFETY INSTRUCTIONS FOR ALL OPERATIONS

Causes and Operator Prevention of Kickback

Kickback is a sudden reaction to a pinched or snagged rotating wheel, backing pad, brush or any other accessory. Pinching or snagging causes rapid stalling of the rotating accessory which in turn causes the uncontrolled power tool to be forced in the direction opposite of the accessory's rotation at the point of the binding.

For example, if an abrasive wheel is snagged or pinched by the workpiece, the edge of the wheel that is entering into the pinch point can dig into the surface of the material causing the wheel to climb out or kick out. The wheel may either jump toward or away from the operator, depending on direction of the wheel's movement at the point of pinching. Abrasive wheels may also break under these conditions.

Kickback is the result of tool misuse and/or incorrect operating procedures or conditions and can be avoided by taking proper precautions as given below:

- a) **Maintain a firm grip on the power tool and position your body and arm to allow you to resist kickback forces. Always use auxiliary handle, if provided, for maximum control over kickback or torque reaction during start up.** The operator can control torque reaction or kickback forces, if proper precautions are taken.
- b) **Never place your hand near the rotating accessory.** Accessory may kickback over your hand.
- c) **Do not position your body in the area where power tool will move if kickback occurs.** Kickback will propel the tool in direction opposite to the wheel's movement at the point of snagging.
- d) **Use special care when working corners, sharp edges etc. Avoid bouncing and snagging the accessory.** Corners, sharp edges or bouncing have a tendency to snag the rotating accessory and cause loss of control or kickback.
- e) **Do not attach a saw chain woodcarving blade or toothed saw blade.** Such blades create frequent kickback and loss of control.

Safety Warnings Specific for Grinding and Abrasive Cutting-Off Operations

- a) **Use only wheel types that are recommended for your power tool and the specific guard designed for the selected wheel.** Wheels for which the power tool was not designed cannot be adequately guarded and are unsafe.
- b) **The guard must be securely attached to the power tool and positioned for maximum safety, so the least amount of wheel is exposed towards the operator.** The guard helps to protect operator from broken wheel fragments and accidental contact with wheel.
- c) **Wheels must be used only for recommended**

applications. For example: do not grind with the side of cut-off wheel. Abrasive cut-off wheels are intended for peripheral grinding, side forces applied to these wheels may cause them to shatter.

- d) **Always use undamaged wheel flanges that are of correct size and shape for your selected wheel.** Proper wheel flanges support the wheel thus reducing the possibility of wheel breakage. Flanges for cut-off wheels may be different from grinding wheel flanges.
- e) **Do not use worn down wheels from larger power tools.** Wheel intended for larger power tool is not suitable for the higher speed of a smaller tool and may burst.

Additional Safety Warnings Specific for Abrasive Cutting-Off Operations

- a) **Do not "jam" the cut-off wheel or apply excessive pressure. Do not attempt to make an excessive depth of cut.** Overstressing the wheel increases the loading and susceptibility to twisting or binding of the wheel in the cut and the possibility of kickback or wheel breakage.
- b) **Do not position your body in line with and behind the rotating wheel.** When the wheel, at the point of operations, is moving away from your body, the possible kickback may propel the spinning wheel and the power tool directly at you.
- c) **When wheel is binding or when interrupting a cut for any reason, switch off the power tool and hold the power tool motionless until the wheel comes to a complete stop. Never attempt to remove the cut-off wheel from the cut while the wheel is in motion otherwise kickback may occur.** Investigate and take corrective action to eliminate the cause of wheel binding.
- d) **Do not restart the cutting operation in the workpiece. Let the wheel reach full speed and carefully reenter the cut.** The wheel may bind, walk up or kickback if the power tool is restarted in the workpiece.
- e) **Support panels or any oversized workpiece to minimize the risk of wheel pinching and kickback.** Large workpieces tend to sag under their own weight. Supports must be placed under the workpiece near the line of cut and near the edge of the workpiece on both sides of the wheel.
- f) **Use extra caution when making a "pocket cut" into existing walls or other blind areas.**

The protruding wheel may cut gas or water pipes, electrical wiring or objects that can cause kickback.

- **Always use side handle. Tighten the handle securely.** The side handle should always be used to maintain control of the tool at all times.

Safety Warnings Specific for Sanding Operations

- a) **Do not use excessively oversized sanding disc paper. Follow manufacturer's recommendations, when selecting sanding paper.** Larger sanding paper extending beyond the sanding pad presents a laceration hazard and may cause snagging, tearing of the disc or kickback.

Safety Warnings Specific for Polishing Operations

- a) **Do not allow any loose portion of the polishing bonnet or its attachment strings to spin freely. Tuck away or trim any loose attachment strings.** Loose and spinning attachment strings can entangle your fingers or snag on the workpiece.

Safety Warnings Specific for Wire Brushing Operations

- a) **Be aware that wire bristles are thrown by the brush even during ordinary operation. Do not overstress the wires by applying excessive load to the brush.** The wire bristles can easily penetrate light clothing and/or skin.
- b) **If the use of a guard is recommended for wire brushing, do not allow any interference of the wire wheel or brush with the guard.** Wire wheel or brush may expand in diameter due to work and centrifugal forces.

Additional Safety Rules for Grinders

- Threaded mounting of accessories must match the grinder spindle thread. For accessories mounted by flanges, the arbor hole of the accessory must fit the locating diameter of the flange. Accessories that do not match the mounting hardware of the power tool will run out of balance, vibrate excessively and may cause loss of control.
- The grinding surface of the centre depressed wheels must be mounted below the plane of the guard lip. An improperly mounted wheel that projects through the plane of the guard lip cannot be adequately protected.
- **Do not use Type 11 (flaring cup) wheels on this tool.** Using inappropriate accessories can result in injury.

Residual Risks

In spite of the application of the relevant safety regulations and the implementation of safety devices, certain residual risks cannot be avoided. These are:

- Impairment of hearing.
- Risk of personal injury due to flying particles.
- Risk of burns due to accessories becoming hot during operation.
- Risk of personal injury due to prolonged use.
- Risk of dust from hazardous substances.

Markings on Tool

The following pictograms are shown on the tool:



Read instruction manual before use.



Wear eye protection.

DATE CODE POSITION (FIG. 1)

The date code (p), which also includes the year of manufacture, is printed into the housing.

Example:

2012 XX XX

Year of Manufacture

Package Contents

The package contains:

- 1 Angle grinder
 - 1 Guard
 - 1 Side handle(excluding DWE8200T)
 - 1 Flange set
 - 1 Hex key(DWE8210S)
 - 1 Wrench (DWE8200S & DWE8200T)
 - 1 Instruction manual
- Check for damage to the tool, parts or accessories which may have occurred during transport.
 - Take the time to thoroughly read and understand this manual prior to operation.

Description (fig. 1)



WARNING: Never modify the power tool or any part of it. Damage or personal injury could result.

- a. Spindle lock button
- b. Spindle
- c. Side handle(excluding DWE8200T)
- d. Backing flange
- e. Threaded clamp nut
- f. Guard
- g. Slider switch(DWE8200S & DWE8210S)
- g1. Toggle switch(DWE8200T)
- g2. Lock-OFF button(DWE8200PL & DWE8210PL)
- g3. Paddle switch(DWE8200PL & DWE8210PL)

INTENDED USE

The DWE8200S, DWE8200T, DWE8200PL, DWE8210S, DWE8210PL small angle grinders have been designed for professional grinding, sanding, wire brushing, polishing and cutting applications.

DO NOT use grinding wheels other than centre depressed wheels and flap discs.

DO NOT use under wet conditions or in the presence of flammable liquids or gases.

These heavy-duty angle grinders are professional power tools.

DO NOT let children come into contact with the tool. Supervision is required when inexperienced operators use this tool.

- This product is not intended for use by persons (including children) suffering from diminished physical, sensory or mental abilities; lack of experience, knowledge or skills unless they are supervised by a person responsible for their safety. Children should never be left alone with this product.

Electrical Safety

The electric motor has been designed for one voltage only. Always check that the power supply corresponds to the voltage on the rating plate.



This tool is double insulated; therefore no earth wire is required. Always check that the power supply corresponds to the voltage on the rating plate.

If the supply cord is damaged, it must be replaced by a specially prepared cord available through the DEWALT service organisation.

Using an Extension Cable

If an extension cable is required, use an approved 3-core extension cable suitable for the power input of this tool (see **Technical Data**). The minimum conductor size is 1.5 mm²; the maximum length is 30 m.

When using a cable reel, always unwind the cable completely.

ASSEMBLY AND ADJUSTMENTS



WARNING: To reduce the risk of serious personal injury, turn tool off and disconnect tool from power source before making any adjustments or removing/installing attachments or accessories. Before reconnecting the tool, depress and release the trigger switch to ensure that the tool is off.

Attaching Side Handle (fig. 1)



WARNING: Before using the tool, check that the handle is tightened securely.

Screw the side handle (c) tightly into one of the holes on either side of the gear case. The side handle should always be used to maintain control of the tool at all times.

Accessories and Attachments

It is important to choose the correct guards, backing pads and flanges to use with grinder accessories. Refer to chart at the end of this section for information on choosing the correct accessories.

Note: Edge grinding and cutting can be performed with Type 27 wheels designed and specified for this purpose.



WARNING: Accessories must be rated for at least the speed recommended on the tool warning label. Wheels and other accessories running over rated accessory speed may burst and cause injury. Threaded accessories must have a M10 hub (for DWE8200T, DWE8200S, DWE8200PL) or a M14 hub (for DWE8210S, DWE8210PL). Every unthreaded accessory must have a 22mm arbor hole. If it does not, it may have been designed for a circular saw and should not be used. Use only the accessories shown in chart at the end of this section. Accessory ratings must be above listed minimum wheel speed as shown on tool nameplate.

Mounting Guards (fig. 2)

WARNING: To reduce the risk of serious personal injury, turn tool off and disconnect tool from power source before making any adjustments or removing/installing attachments or accessories.

Before reconnecting the tool, depress and release the trigger switch to ensure that the tool is off.



CAUTION: Guards must be used with this grinder.

When using the DWE8200S or the DWE8200T or the DWE8200PL or the DWE8210S or DWE8210PL grinder for cutting metal or masonry a Type 1 guard MUST be used. Type 1 guards are available at extra cost from DEWALT distributors.

NOTE: Please refer to the **Grinding and Cutting Accessory Chart** at the end of this section to see other accessories that can be used with these grinders.

MOUNTING CLOSED (TYPE 1) OR STANDARD (TYPE 27) GUARD



CAUTION: Turn off and unplug the tool before making any adjustments or removing or installing attachments or accessories. Before reconnecting the tool, turn the switch on and off to ensure that the tool is off.

Hubbed wheels install directly on the M10 (DWE8200T, DWE8200S, DWE8200PL), M14 (DWE8210S, DWE8210PL) spindle. Thread of accessory must match thread of spindle.

1. Loosen screw, until the guard lug (k) can rotate freely in the groove (j) on the gear case hub.
2. Rotate guard (f) into desired working position. The guard body should be positioned between the spindle and the operator to provide maximum operator protection.
3. Tighten the screw to secure the guard on the gear case cover. (Fasten torque no less than 2.5 N·M). You should be unable to rotate the guard by hand. Do not operate grinder with a loose guard.
4. To remove the guard, loosen screw and pull up on the guard.



CAUTION: Failure to properly seat the wheel before turning the tool on may result in damage to the tool or the wheel.

Fitting and Removing a Grinding or Cutting Disc (fig. 1, 4, 5)



WARNING: Do not use a damaged disc.

1. Place the tool on a table, guard up.
2. Fit the backing flange (d) correctly onto the spindle (b) (fig. 4).
3. Place the disc (n) on the backing flange (d). When fitting a disc with a raised centre, make sure that the raised centre (l) is facing the backing flange (d).
4. Screw the threaded clamp nut (e) onto the spindle (b) (fig. 5):
 - a. The ring on the threaded clamp nut (e) must face towards the disc when fitting a grinding disc (fig. 5A);
 - b. The ring on the threaded clamp nut (e) must face away from the disc when fitting a cutting disc (fig. 5B).
5. Press the spindle lock button (a) and rotate the spindle (b) until it locks in position.
6. Tighten the threaded clamp nut (e) with the wrench or the hex key provided
7. Release the spindle lock.
8. To remove the disc, loosen the threaded clamp nut (e) with the wrench or the hex key provided.

NOTE: Edge grinding and cutting can be performed with Type 27 wheels designed and specified for this purpose; 6 mm thick wheels are designed for surface grinding while 3 mm wheels are designed for edge grinding. Cutting can also be performed by using a Type 1 wheel and a Type 1 guard.

The recommended diameter of grinding or cutting disc for the tool is 100mm (DWE8200S, DWE8200T, DWE8200PL) or 125mm (DWE8210S, DWE8210PL).

Mounting Wire Brushes and Wire Wheels

Wire cup brushes or wire wheels screw directly on the grinder spindle without the use of flanges. Use only wire brushes or wheels provided with a M10 (DWE8200S & DWE8200T & DWE8200PL) or M14 (DWE8210S & DWE8210PL) threaded hub. A Type 27 guard is required when using wire brushes and wheels.



CAUTION: Wear work gloves when handling wire brushes and wheels. They can become sharp.



CAUTION: Wheel or brush must not touch guard when mounted or while in use. Undetectable damage could occur to the accessory, causing wires to fragment from accessory wheel or cup.

1. Thread the wheel on the spindle by hand.
2. Depress spindle lock button and use a wrench on the hub of the wire wheel or brush to tighten the wheel.
3. To remove the wheel, reverse the above procedure.

NOTICE: Failure to properly seat the wheel hub before turning the tool on may result in damage to tool or wheel.

The recommended diameter of Wire Brushes and Wire Wheels for the tool is 100mm(DWE8200S, DWE8200T, DWE8200P) or 125mm(DWE8210S, DWE8210PL) .

Fitting and Removing a Backing pad/Sanding sheet

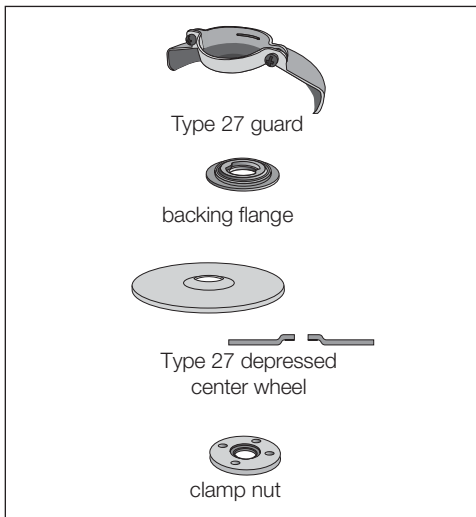
1. Place the tool on a table or flat surface, with the guard facing up.
2. Remove the backing flange (d).
3. Place the rubber backing pad correctly onto the spindle (b).
4. Place the sanding sheet on the rubber backing pad.
5. Screw the threaded clamp nut (e) onto the spindle. The ring on the threaded clamp nut must face towards the rubber backing pad.
6. Press the spindle lock button (a) and rotate the spindle (b) until it locks in position.
7. Tighten the threaded clamp nut (e) with the hex key provided or a two pin spanner.
8. Release the spindle lock.
9. To remove the rubber backing pad, loosen the threaded clamp nut (e) with the hex key provided or a two pin spanner.

The recommended diameter of backing pad/sanding sheet for the tool is 100mm(DWE8200S, DWE8200T, DWE8200P) or 125mm(DWE8210S, DWE8210PL) .

Fitting a Wire Cup Brush

Screw the wire cup brush directly onto the spindle without the use of the spacer and threaded flange

100mm Grinding Wheels



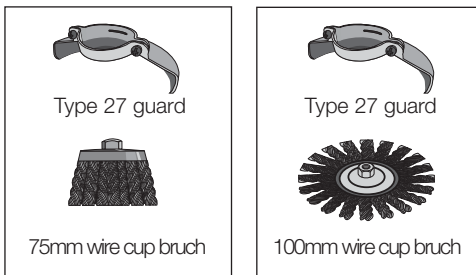
Type 27 guard

backing flange

Type 27 depressed center wheel

clamp nut

Wire Wheels



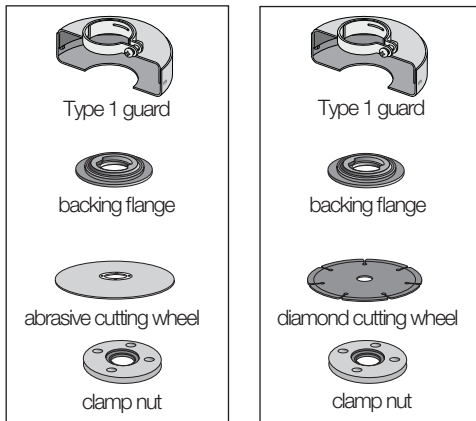
Type 27 guard

75mm wire cup brush

Type 27 guard

100mm wire cup brush

100mm Cutting Wheels



Type 1 guard

backing flange

abrasive cutting wheel

clamp nut

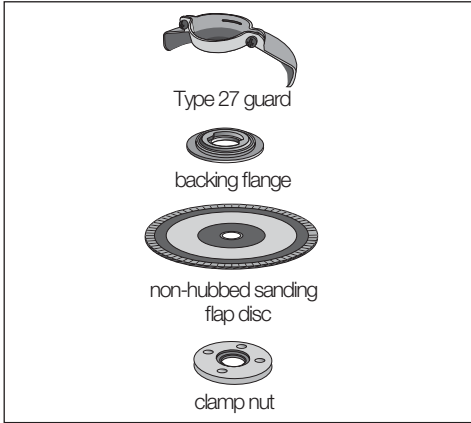
Type 1 guard

backing flange

diamond cutting wheel

clamp nut

100mm Sanding Flap Discs



create a hazard and cause personal injury.

- Apply only a gentle pressure to the tool. Do not exert side pressure on the disc.
- Avoid overloading. Should the tool become hot, let it run a few minutes under no load condition.

Proper Hand Position (fig. 6)



WARNING: To reduce the risk of serious personal injury, **ALWAYS** use proper hand position as shown.



WARNING: To reduce the risk of serious personal injury, **ALWAYS** hold securely in anticipation of a sudden reaction.

Proper hand position requires one hand on the side handle (figure 1), with the other hand on the body of the tool, as shown in figure 6.

Prior to Operation

- Install the guard and appropriate disc or wheel. Do not use excessively worn discs or wheels.
- Be sure the inner and outer flanges are mounted correctly.
- Make sure the disc or wheel rotates in the direction of the arrows on the accessory and the tool.

OPERATION

Instructions for Use



WARNING: Always observe the safety instructions and applicable regulations.



WARNING: To reduce the risk of serious personal injury, **turn tool off and disconnect tool from power source before making any adjustments or removing/installing attachments or accessories.** Before reconnecting the tool, depress and release the trigger switch to ensure that the tool is off.



WARNING:

- Ensure all materials to be ground or cut are secured in place.
- Secure and support the workpiece. Use clamps or a vice to hold and support the workpiece to a stable platform. It is important to clamp and support the workpiece securely to prevent movement of the workpiece and loss of control. Movement of the workpiece or loss of control may

Switches



CAUTION: Hold the body of the tool firmly to maintain control of the tool at start up and during use and until the wheel or accessory stops rotating. Make sure the wheel has come to a complete stop before laying the tool down.

NOTE: To reduce unexpected tool movement, do not switch the tool on or off while under load conditions. Allow the grinder to run up to full speed before touching the work surface. Lift the tool from the surface before turning the tool off. Allow the tool to stop rotating before putting it down.

SLIDER SWITCH DWE8200S & DWE8210S (FIG. 3)



WARNING: Before connecting the tool to a power supply, be sure the slider switch is in the off position by pressing the rear part of the switch and releasing. Ensure the slider switch is in the off position as described above after any interruption in power supply to the tool, such as the activation of a ground fault interrupter, throwing of a circuit breaker, accidental unplugging, or power failure. If the slider switch is locked on when the power is connected, the tool will start unexpectedly.

To start the tool, slide the slider switch (g) toward the front of the tool. To stop the tool, release the slider switch.

For continuous operation, slide the switch toward the front of the tool and press the forward part of the switch inward. To stop the tool while operating

in continuous mode, press the rear part of the slider switch and release.

TOGGLE SWITCH DWE8200T (FIG. 3)



WARNING: Before using the tool, check that the handle is tightened securely.

To turn on the tool, lift up the button(g1) to "1" position, to turn off the tool, push the toggle switch Button(g1) to "0" position.



WARNING: Do not switch the tool on or off when under load.

PADDLE SWITCH DWE8200PL(FIG.3)

To start the tool press the lock-OFF switch(g2) , then press the paddle switch(g3).

To stop the tool, release pressure on the paddle switch(g3).

Spindle Lock (fig. 1)

The spindle lock (a) is provided to prevent the spindle from rotating when installing or removing wheels. Operate the spindle lock only when the tool is turned off, unplugged from the power supply, and has come to a complete stop.

NOTICE: To reduce the risk of damage to the tool, do not engage the spindle lock while the tool is operating. Damage to the tool will result and attached accessory may spin off possibly resulting in injury.

To engage the lock, depress the spindle lock button and rotate the spindle until you are unable to rotate the spindle further.

Metal Applications

When using the tool in metal applications, make sure that a residual current device (RCD) has been inserted to avoid residual risks caused by metal swarf.

If the power supply is shut off by the RCD, take the tool to authorised DEWALT repair agent.



WARNING: In extreme working conditions, conductive dust can accumulate inside the machine housing when working with metal. This can result in the protective insulation in the machine becoming degraded with a potential risk of an electrical shock.

To avoid build-up of metal swarf inside the machine, we recommend to clear the ventilation slots on a daily basis. Refer to **Maintenance**.

Using Flap Discs



WARNING: Metal dust build-up. Extensive use of flap discs in metal applications can result in the increased potential for electric shock. To reduce this risk, insert an RCD before use and clean the ventilation slots daily by blowing dry compressed air into the ventilation slots in accordance with the below maintenance instructions.

MAINTENANCE

Your DEWALT power tool has been designed to operate over a long period of time with a minimum of maintenance. Continuous satisfactory operation depends upon proper tool care and regular cleaning.



WARNING: To reduce the risk of serious personal injury, turn tool off and disconnect tool from power source before making any adjustments or removing/installing attachments or accessories. Before reconnecting the tool, depress and release the trigger switch to ensure that the tool is off.

Pop-off Brushes

The motor will be automatically shut off indicating that the carbon brushes are nearly worn out and that the tool needs servicing. The carbon brushes are not user-serviceable. Take the tool to an authorised DEWALT repair agent.



Lubrication

Your power tool requires no additional lubrication.



Cleaning



WARNING: Blow dirt and dust out of the main housing with dry air as often as dirt is seen collecting in and around the air vents. Wear approved eye protection and approved dust mask when performing this procedure.



WARNING: Never use solvents or other harsh chemicals for cleaning the non-metallic parts of the tool. These chemicals may weaken the materials used in these parts. Use a cloth dampened only with water and mild

soap. Never let any liquid get inside the tool; never immerse any part of the tool into a liquid.

Optional Accessories



WARNING: Since accessories, other than those offered by DEWALT, have not been tested with this product, use of such accessories with this tool could be hazardous. To reduce the risk of injury, only DEWALT recommended accessories should be used with this product.

Consult your dealer for further information on the appropriate accessories.

Protecting the Environment



Separate collection. This product must not be disposed of with normal household waste.

Should you find one day that your DEWALT product needs replacement, or if it is of no further use to you, do not dispose of it with household waste. Make this product available for separate collection.



Separate collection of used products and packaging allows materials to be recycled and used again. Re-use of recycled materials helps prevent environmental pollution and reduces the demand for raw materials.

Local regulations may provide for separate collection of electrical products from the household, at municipal waste sites or by the retailer when you purchase a new product.

DEWALT provides a facility for the collection and recycling of DEWALT products once they have reached the end of their working life. To take advantage of this service please return your product to any authorised repair agent who will collect them on our behalf.

You can check the location of your nearest authorised repair agent by contacting your local DEWALT office at the address indicated in this manual. Alternatively, a list of authorised DEWALT repair agents and full details of our after-sales service and contacts are available on the Internet at: **www.2helpU.com**.

砂輪機

PWE8200T、DWE8200S、DWE8200PL、DWE8210S、DWE8210PL

恭喜閣下！

感謝您選購 DEWALT 工具。憑藉多年的產品開發和創新經驗，DEWALT 已成為專業電動工具使用者最信賴的夥伴之一。

技術資料

		DWE8200T	DWE8200S	DWE8200PL	DWE8200S	DWE8210PL
電壓	伏特	110	110	110	110	110
類型		1	1	1	1	1
電源輸入	瓦特	850	850	850	850	850
空載/額定速度	/分	12000	12000	12000	12000	12000
砂輪片直徑	公釐	100	100	100	125	125
主軸螺紋		M10	M10	M10	M14	M14
開關類型		撥動	滑動	槳式	滑動	槳式
重量	公斤	1.75*	1.75*	1.75*	1.95*	1.95

* 重量不含側手柄、延長線和電線；含防護罩與法蘭。

定義：安全指南

以下定義描述了每一個詞彙的嚴重程度。請閱讀本手冊並注意這些符號。



危險：表示緊急危險情況，若未能避免，**將導致死亡或嚴重傷害。**



警告：表示潛在危險情況，若未能避免，**可能導致死亡或嚴重傷害。**



小心：表示潛在危險情況，若未能避免，可能導致**輕微或中度傷害。**

注意：表示一種**非人身傷害**的行為，若未能避免，**可能導致財產損失。**



表示觸電危險。



表示火災危險。



警告：為了降低受傷的風險，必須仔細閱讀使用手冊。

電動工具一般安全警告



警告！請閱讀所有安全警告及指示。不遵循這些警告和指示可能會導致觸電、火災及/或嚴重傷害。

請妥善保存所有的警告和使用手冊以備將來查閱

警告中的名詞「電動工具」是指電源驅動（插電）電動工具，或者電池驅動（充電）電動工具。

1) 工作場地安全

- 保持工作場地清潔和明亮。混亂或黑暗的場地會引發事故。
- 不要在易爆環境，如有易燃液體、氣體或塵埃的環境中操作電動工具。電動工具產生的火花會點燃塵埃或氣體。
- 請等待兒童和旁觀者離開之後才操縱電動工具。分心會導致您疏於控制。

2) 電力安全

- 電電動工具插頭必須與插座相符。請勿以任何方式改裝插頭。需接地的電動工具不能使用任何配接器插頭。未經改裝的插頭和相符的插座可以減少觸電危險。
- 避免人體接觸接地表面，如管道、散熱片、爐灶和冰箱。若您的身體接地，會增加觸電

危險。

- c) 不得將電動工具暴露在雨中或潮濕環境中。水進入電動工具會增加觸電危險。
- d) 請勿濫用電線。請勿使用電線來搬運、拉動電動工具或拔出插頭。讓電線遠離熱、油、銳邊或活動部件。受損或纏繞的電線會增加觸電危險。
- e) 若要在戶外使用電動工具，請使用適合戶外使用的延長電線。使用適合戶外使用的電線可減少觸電危險。
- f) 若必須在潮濕場合使用電動工具，請使用漏電保護器(RCD)。使用 RCD 可降低觸電危險。

3) 人身安全

- a) 保持警覺；在操作電動工具時，請留意所執行的操作並按照一般的流程執行。請勿在疲倦，或受到藥物、酒精或治療的影響下操作電動工具。操作電動工具期間注意力分散會導致嚴重人身傷害。
- b) 使用個人防護裝置。始終佩戴護目裝備。防護裝置，例如在適當條件下使用的防塵面具、防滑安全鞋、安全帽或聽力保護等裝置可減少人身傷害。
- c) 避免意外啟動。連接電源/或電池組、撿取或搬運電動工具之前，請確定開關處於關閉位置。搬運電動工具時若將手指放在開關上，或是在接通開關電源時插入插頭都會引發危險。
- d) 接通電動工具之前，請卸下所有的調整鑰匙或扳手。遺留在電動工具旋轉部件上的扳手或鑰匙會導致人身傷害。
- e) 不要過度伸張雙手。時刻注意腳下和身體的平衡。如此即可在發生意外的情況下更好地控制電動工具。
- f) 適當穿著。不要穿寬鬆衣服或佩戴飾品。讓您的頭髮、衣服和手套遠離活動部件。寬鬆衣服、佩飾或長髮可能會捲入活動部件。
- g) 若配備用於連接排屑裝置、集塵設備的裝置，請確定正確連接和使用這些裝置。使用集塵設備可減少與塵埃有關的危險。

4) 電動工具的使用與注意事項

- a) 不要超負荷使用電動工具。根據您的用途使用適當的電動工具。使用適當的電動工具在其設計可負荷的應用內，會讓您更有效、更安全地執行工作。
- b) 若開關不能開啟或關閉電源，請勿使用該電動工具。不能用開關來控制的電動工具將存在危險，因此必須進行修理。

- c) 在執行任何調整、更換配件或儲存電動工具之前，請從電源上拔掉插頭及/或卸下電池組。這類防護性安全措施可降低電動工具意外啟動的風險。
- d) 將閒置的電動工具儲存在兒童無法接觸的地方，並且不要讓不熟悉電動工具或對這些使用指示不瞭解的人員操作電動工具。電動工具在未受培訓的使用者手中會發生危險。
- e) 維護電動工具。檢查活動部件是否對準或卡住、破損情況以及是否存在影響電動工具運行的其他情況。若有損毀，必須在使用之前修理電動工具。許多事故都是由於電動工具欠缺維護所導致。
- f) 保持刀具鋒利和清潔。妥善維護、切削鋒利的刀具不會輕易卡住並可更輕鬆控制。
- g) 遵循使用指示以及工作條件和所要執行的工作使用電動工具、配件和工具刀頭等。不按照設計目的使用電動工具會導致危險。

5) 檢修

- a) 本電動工具必須由合格的維修人員並只採用相同的替換零件來執行檢修。這樣將確保電動工具的安全。

其他特殊安全規定

所有操作之安全指示

- a) 本電動工具設計用作打磨機、砂光機、鋼絲刷、拋光機或切割工具。請閱讀本電動工具隨附的所有安全警告、指示、圖示和規格。不遵循下列的任何指示可能會導致觸電、火災及/或嚴重傷害。
- b) 請勿使用非工具製造廠商專門設計及推薦的配件。就算配件可裝到電動工具上，這並不代表它能確保安全操作。
- c) 配件的額定轉速必須至少等於電動工具上所標的最大轉速。配件以其比其額定轉速大的轉速運行可能會引發爆裂和飛濺。
- d) 配件的外徑與厚度必須在電動工具的額定能力範圍內。錯誤尺寸的配件無法得到充分保護或控制。
- e) 砂輪片、法蘭、支撐墊或任何其他配件的軸孔尺寸必須適合於安裝到電動工具的主軸上。帶軸孔、與電動工具安裝件不相配的配件將會失衡、過度震動並會引起失控。
- f) 請勿使用受損配件。每次使用前，請檢查配件，例如檢查砂輪切片是否有碎屑和裂縫，檢查支撐墊是否有裂縫、撕裂或過度磨損，檢查鋼絲刷是否鬆動或鋼絲是否斷裂。若電動工具或配件跌落，請檢查是否損毀或安裝

未破損的配件。檢查並安裝配件後，讓自己和旁觀者遠離配件的旋轉範圍，並讓電動工具以最大的空載轉速運行一分鐘。受損配件一般會在此測試過程中碎裂。

- g) 佩戴個人防護裝置。根據適用情況，使用面罩、安全護目鏡或防護眼鏡。適用時，佩戴防塵面具、聽力保護器、手套及能擋細小磨料或工件碎片的工作圍裙。護目裝備必須能夠擋住各種操作產生的飛屑。防塵面具或口罩必須能夠過濾各種操作產生的顆粒。長期暴露於高強度噪音中可能會使聽力受損。
- h) 讓旁觀者與工作場地保持一定安全距離。任何進入工作場地的人都必須佩戴個人防護裝置。工件或受損配件的碎片可能會飛出並導致緊靠著操作區域的旁觀者受到傷害。
- i) 若在執行操作時切削配件可能會接觸隱藏的電線或它本身的電線，則只能從絕緣手柄表面握住電動工具。若切削配件接觸到「帶電」導線，電動工具金屬部件表面就會「帶電」，從而導致操作人員觸電。
- j) 讓電線遠離旋轉的配件。若控制不當，電線可能被切斷或纏繞，並使得您的手或手臂可能會被捲入旋轉配件中。
- k) 直到配件完全停止運動才放下電動工具。旋轉的配件可能會抓住表面並拉動電動工具，讓您無法控制工具。
- l) 攜帶電動工具時不要啟動它。意外接觸旋轉配件可能會纏繞您的衣服，使配件傷害您的身體。
- m) 定期清理電動工具的通風口。電動機風扇會將灰塵吸進機殼，過多的金屬粉塵沉積可能會導致電氣危險。
- n) 請勿在易燃材料附近操作電動工具。火星可能會點燃這些材料。
- o) 請勿使用需要冷卻液的配件。用水或其他冷卻液可能會導致觸電或觸電致死。

所有操作之進一步安全指示

反衝的原因及操作人員可採用的預防措施

反衝是因卡住或纏繞住的旋轉砂輪片、支撐墊、鋼絲刷或任何其他配件而產生的突然反作用力。卡住或纏繞會引起旋轉配件迅速失速，隨之使失控的電動工具在卡住點產生與配件旋轉方向相反的運動。

例如，若砂輪切片被工件纏繞或卡住，伸入卡住點的砂輪片邊緣可能會進入材料表面，從而引起砂輪片爬出或反衝。砂輪片可能會飛向或飛離操作人

員，這視乎砂輪片在卡住點的運動方向而定。在此條件下，砂輪切片也可能會碎裂。

反衝是由於電動工具使用不當及/或不正確的操作程序或條件而導致。可透過採取下列適當的預防措施而避免：

- a) 保持緊握電動工具，使您的身體和手臂處於正確狀態以抵抗反衝力。如有輔助手柄，則要一直使用，以最大限度地控制啟動時的反衝力或反扭矩。若採取合適的預防措施，操作人員即可以控制反扭矩或反衝力。
- b) 請勿將手靠近旋轉配件。配件可能會反衝碰到手。
- c) 請勿站在發生反衝時電動工具可能移動到的位置。反衝將在纏繞點促使工具逆砂輪片運動方向運動。
- d) 在尖角、銳邊等位置作業時要特別小心。避免配件出現彈跳和纏繞。尖角、銳邊或彈跳可能會纏繞旋轉配件並引起失控或反衝。
- e) 請勿附裝上鋸鏈、木雕鋸片或帶齒鋸片。此類鋸片會產生頻繁的反衝和失控。

針對打磨和砂輪切割操作的安全警告

- a) 只使用為電動工具推薦的砂輪片型號及為選用砂輪片專門設計的防護罩。不是專為電動工具設計的砂輪片無法得到充分保護，而且不安全。
- b) 防護罩必須牢固地裝在電動工具上，且放置在最安全的地方，以便讓最小的砂輪片部分暴露在操作人員面前。防護罩有助於保護操作人員免於受到爆裂砂輪片碎片和意外觸及砂輪片的危險。
- c) 砂輪片只可用於推薦的用途。例如：不要使用切割片的側面進行打磨。砂輪切片設計用於圓周打磨，施加到砂輪片側面的力可能會使其碎裂。
- d) 始終為所選砂輪片選用未損毀、尺寸及形狀正確的砂輪片法蘭。合適的砂輪片法蘭可支撐砂輪片，從而可以減小砂輪片破裂的可能性。切割片的法蘭可能與砂輪磨片的法蘭不同。
- e) 請勿使用大規格電動工具上用剩的磨損砂輪片。用於大規格電動工具的砂輪片不適用於較小規格工具的高速工況並可能會爆裂。

針對砂輪切割操作的附加安全警告

- a) 請勿「夾」住切割片或施加過大的壓力。請勿試圖進行過深的切割。給砂輪片施加過應力增加了砂輪片在切削時的負載，容易纏繞或卡住，而且增加了反衝或砂輪片爆裂的可

能性。

- b) **身體不要對著旋轉砂輪片，也不要站在其後。**將操作點的砂輪片從操作人員身邊移開時，可能的反衝可能會使旋轉砂輪片和電動工具朝向您推動。
- c) **砂輪片被卡住或無論因任何原因而中斷切削時，關掉電動工具並握住工具不動，直到砂輪片完全停止。**請勿試圖在砂輪片仍然運行時使切割片脫離切削，否則可能會發生反衝。檢查並採取矯正措施，以消除砂輪片卡住的原因。
- d) **請勿在工件上重新啟動切削操作。讓砂輪片達到全速後再小心地重新進入切削。**若電動工具在工件上重新啟動，砂輪片可能會卡住、爬出或反衝。
- e) **支撐住板材或任何超大工件以最大限度地降低砂輪片卡住和反衝的風險。**大型工件由於自身重量而有下陷的傾向。必須在工件靠近切線處及砂輪片兩側近工件邊緣處放置支撐物。
- f) **對現有牆體或其他盲區進行「盲切削」時應格外小心。**伸出的砂輪片可能會割到煤氣管或水管、電線或由此引起反衝的物體。

針對砂光操作的安全警告

- a) **請勿使用尺寸過大的砂盤紙。請遵循製造廠商的建議選用砂盤紙。**伸出砂光碟的大規格砂盤紙會構成割傷危害並可能會導致圓盤纏繞、撕裂或反衝。

針對拋光操作的安全警告

- a) **不允許拋光氣囊或其配線的任何部分出現鬆動，以免其自由旋轉。取走或修整任何鬆動的配線。**鬆動和旋轉的配線可能會纏住您的手指或纏繞在工件上。

針對刷光操作的安全警告

- a) **請注意，即使在正常操作期間，鋼絲刷也會掉落鋼絲。請勿對鋼絲刷施加過量負載，以免對鋼絲施加過應力。**鋼絲刷可輕鬆地刺穿單薄的衣服及/或皮膚。
- b) **若建議使用防護罩進行刷光，則不允許鋼絲輪或鋼絲刷對防護罩進行干擾。**鋼絲輪或鋼絲刷的直徑可能會因為工作和地心引力而擴展。

砂輪機之附加安全規定

- 配件的螺紋安裝必須與砂輪機主軸螺紋相配。對於透過法蘭安裝的配件，配件的軸孔必須適合法蘭的定位直徑。與電動工具安裝

件不相配的配件將會失衡、過度震動並會引起失控。

- 鈹形砂輪片的打磨表面必須安裝在防護罩邊緣平面的下方。安裝不當且穿過防護罩邊緣平面的砂輪片無法得到充分保護。
- **請勿在本工具上使用 11 號（杯狀）砂輪片。**使用不合適的配件可能會導致傷害。
- **始終使用側手柄。牢固地擰緊手柄。**應始終使用側手柄，以時刻保持對工具的控制。

剩餘風險

即使應用有關的安全規定並採用安全設備，仍然還有一些無法避免的剩餘風險。此類風險包括：

- 聽力受損。
- 飛散的碎片引起的人身傷害風險。
- 配件在操作時變熱引起的燒傷危險。
- 長時間使用引起的人身傷害風險。
- 危害物質粉塵引起的風險。

工具上的標註

工具上可能會附帶下列圖示：



使用前請閱讀使用手冊。



請佩戴護目裝備。

日期代碼位置（圖 1）

日期代碼 (p) 也包括製造年份，已經印刷在工具外殼上。

範例：

2012 XX XX
製造年份 週期

套裝內容

本套裝包括：

- 1 砂輪機
 - 1 防護罩
 - 1 側手柄（除了DWE8200T以外）
 - 1 法蘭套件
 - 1 六角扳手（DWE8210S）
 - 1 扳手（DWE8200S、DWE8200T、DWE8200PL）
 - 1 使用手冊
- 檢查工具、部件或配件有否在運送途中損壞。
 - 操作前，請抽空徹底地閱讀和掌握本說明書的內容。

說明 (圖 1)



警告：請勿改動本電動工具或其任何部件，否則可能導致損壞或人身傷害。

- a. 主軸鎖按紐
- b. 主軸
- c. 側手柄(除了DWE8200T以外)
- d. 內法蘭
- e. 螺紋外法蘭
- f. 防護罩
- g. 滑動開關 (DWE8200S 和 DWE8210S)
- g1. 撥動開關 (DWE8200T)
- g2. 鎖止按鈕 (DWE8200PL 和 DWE8210PL)
- g3. 槳式開關 (DWE8200PL 和 DWE8210PL)

設計用途

DWE8200S、DWE8200T、DWE8210PL、DWE8210S、DWE8210PL 小型砂輪機設計用於專業打磨、砂光、刷光、拋光及切削。

切勿使用錐形砂輪片以外的砂輪磨片和百葉輪。

切勿在潮濕環境中或在有易燃液體或氣體的環境中使用本工具。

本重型砂輪機是專業電動工具。

不要讓兒童接觸本工具。缺乏經驗的操作人員需要在監督下使用本工具。

- 體力、感覺或智力不足，以及缺乏經驗、知識或技能的人員（包括兒童）不適合使用本產品，除非一旁有能為他們的安全負責的監督人員。請勿讓兒童單獨接觸本工具。

電力安全

電動機只適用一種電壓。請務必檢查電源電壓是否與銘牌一致。



本工具採用雙重絕緣，因此無需接地線。請務必檢查電源電壓是否與銘牌一致。

若電源線損壞，必須使用 DEWALT 維修機構提供的專用電線進行更換。

使用延長電纜

若需要使用延長電纜，使用適合本工具電源輸入使用的認證 3 芯延長電纜（參閱**技術資料**）。導體體的最小尺寸為 1.5 mm²；最大長度為 30 m。

使用電纜捲筒時，每次必須把電纜完全展開。

裝配與調整



警告：為了降低造成嚴重人身傷害的風險，在進行任何調整或卸下或安裝附件或配件之前，切記關閉工具並斷開工具電源。重新連接工具之前，請按下並鬆開觸發開關以確保工具已關閉。

安裝側手柄 (圖 1)



警告：使用工具之前，請檢查手柄是否牢固擰緊。

將側手柄 (c) 牢固地旋入齒輪箱任一側的其中一個孔中。應始終使用側手柄，以時刻保持對工具的控制。

配件和附件

務必選擇合適的防護罩、支撐墊和法蘭以與砂輪機配件配合使用。請參閱本節結束處的圖表，獲取有關選擇合適配件的資訊。

注：邊緣打磨和切削可採用專為此用途設計的 27 號砂輪片進行。



警告：配件的額定轉速必須至少等於工具警告標籤上建議的轉速。砂輪片和其他配件以其額定轉速大的轉速運行可能會引發爆裂並可能會導致傷害。螺紋配件必須具有 M10 輪載（適用於 DWE8200T、DWE8200S、DWE8200PL）或 M14 輪載（適用於 DWE8210S、DWE8210PL）。每個非螺紋配件必須具有一個 22 公釐的軸孔。若沒有，則可能是專為圓鋸機設計，此處不應使用此類配件。只使用本節結束處圖表中所示的配件。配件額定值必須大於工具銘牌中所列的最小砂輪片轉速。

安裝防護罩 (圖 2)



警告：為了降低造成嚴重人身傷害的風險，在進行任何調整或卸下或安裝附件或配件之前，切記關閉工具並斷開工具電源。重新連接工具之前，請按下並鬆開觸發開關以確保工具已關閉。



小心：防護罩必須與本砂輪機一同使用。

將 DWE8200S 或 DWE8200T 或 DWE8200PL 或 DWE8210S 或 DWE8210PL 砂輪機用於切削金屬或磚石時，必須使用 1 號防護罩。1 號防護罩可從 DEWALT 經銷商處另行購買。

注：請參閱本節結束處的**打磨和切削配件圖表**，查看可與本砂輪機配合使用的其他配件。

安裝封閉式 (1 號) 或標準 (27 號) 防護罩



小心：關閉工具的電源並拔下插頭，然後調整、卸下或安裝附件或配件。重新連接工具之前，請打開開關，然後將其關閉以確保工具已關閉。

帶輪轂的砂輪片直接安裝在 M10 (DWE8200T、DWE8200S、DWE8200PL) 或 M14 (DWE8210S、DWE8210PL) 主軸上。配件的螺紋必須與主軸的螺紋相配。

1. 旋松螺釘，直到防護罩接片 (k) 可以在齒輪箱輪轂上的凹槽 (j) 中自由旋轉。
2. 將防護罩 (1) 旋轉入所需的工作位置。防護罩主體應位於主軸與操作人員之間，為操作人員提供最大的保護。
3. 擰緊螺釘，將防護罩固定在齒輪箱蓋上。(緊固扭矩不小於 2.5 N·M)。無法用手旋轉防護罩。請勿在防護罩鬆動的情況下操作砂輪機。
4. 若要移除防護罩，請旋松螺釘並將其從防護罩中拔出。



小心：若開啟工具前未能正確放置砂輪片，可能會對工具或砂輪片造成損壞。

安裝和卸下打磨或切削圓盤 (圖 1、4、5)



警告：請勿使用破損圓盤。

1. 將工具放置在工作臺上，防護罩朝上。
2. 將內法蘭 (d) 正確安裝到主軸 (b) 上 (圖 4)。
3. 將圓盤 (n) 放置在內法蘭 (d) 上。安裝中心凸起的圓盤時，確保凸起的中心 (l) 面向內法蘭 (d)。
4. 將螺紋外法蘭 (e) 旋入主軸 (b) (圖 5)：
 - a. 安裝打磨圓盤時，螺紋外法蘭 (e) 上的圓環必須面向圓盤 (圖 5A)；
 - b. 安裝切削圓盤時，螺紋外法蘭 (e) 上的圓環必須背向圓盤 (圖 5B)。
5. 按下主軸鎖按鈕 (a) 並旋轉主軸 (b)，直到其鎖定到位。
6. 使用隨附的扳手或六角扳手擰緊螺紋外法蘭 (e)。
7. 鬆開主軸鎖。
8. 若要卸下圓盤，請使用隨附的扳手或六角扳手鬆開螺紋外法蘭 (e)。

注：邊緣打磨和切削可採用專為此用途設計的 27 號砂輪片進行；6 公釐厚的砂輪片用於表面打磨，而 3 公釐厚的砂輪片用於邊緣打磨。切削也可以採用 1 號砂輪片和 1 號防護罩進行。

工具的打磨或切削圓盤的建議直徑為 100 公釐 (DWE8200S、DWE8200T、DWE8200PL) 或 125 公釐 (DWE8210S、DWE8210PL)。

安裝鋼絲刷和鋼絲輪

將杯狀鋼絲刷或鋼絲輪直接安裝在砂輪機主軸上，而無需使用法蘭。只使用 M10 (DWE8200S 和 DWE8200T 和 DWE8200PL) 或 M14 (DWE8210S、DWE8210PL) 螺紋輪轂隨附的鋼絲刷或鋼絲輪。使用鋼絲刷或鋼絲輪時需要 27 號防護罩。



小心：搬運鋼絲刷或鋼絲輪時，請佩戴工作手套。鋼絲刷或鋼絲輪可能會變得很快。



小心：安裝或使用過程中，鋼絲輪或鋼絲刷不得接觸防護罩。配件可能會出現不易發現的損壞，導致鋼絲從鋼絲輪或杯狀鋼絲刷配件上脫落。

1. 用手將鋼絲輪裝到主軸上。
2. 按下主軸鎖按鈕並使用鋼絲輪或鋼絲刷輪轂上的扳手擰緊鋼絲輪。
3. 若要卸下鋼絲輪，請按上述相反的步驟操作。

注意：若開啟工具前未能正確放置輪轂，可能會對工具或鋼絲輪造成損壞。

工具的鋼絲刷或鋼絲輪的建議直徑為 100 公釐 (DWE8200S、DWE8200T、DWE8200PL) 或 125 公釐 (DWE8210S、DWE8210PL)。

安裝和卸下支撐墊/砂光板

1. 將工具放置在工作臺或平坦表面上，防護罩朝上。
2. 卸下內法蘭 (d)。
3. 將橡膠支撐墊正確地放置到主軸 (b) 上。
4. 將砂光板放置在橡膠支撐墊上。
5. 將螺紋外法蘭 (e) 旋入主軸。螺紋外法蘭上的圓環必須朝向橡膠支撐墊。
6. 按下主軸鎖按鈕 (a) 並旋轉主軸 (b)，直到其鎖定到位。
7. 使用隨附的六角扳手或兩個帶銷扳手擰緊螺紋外法蘭 (e)。
8. 鬆開主軸鎖。
9. 若要卸下橡膠支撐墊，請使用隨附的六角扳手或兩個帶銷扳手鬆開螺紋外法蘭 (e)。

工具的支撐墊/砂光板的建議直徑為 100 公釐 (DWE8200S、DWE8200T、DWE8200PL) 或 125 公釐 (DWE8210S、DWE8210PL)。

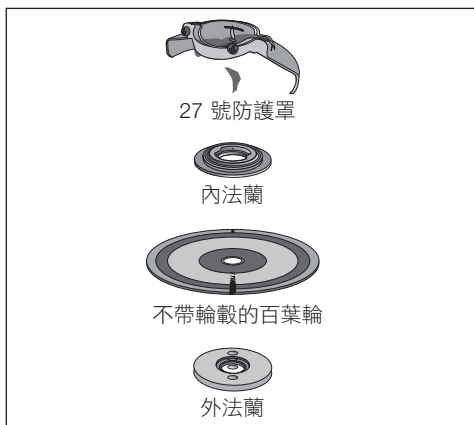
安裝杯狀鋼絲刷

將杯狀鋼絲刷直接安裝在主軸上，而無需使用墊片和螺紋法蘭。

100 公釐砂輪磨片



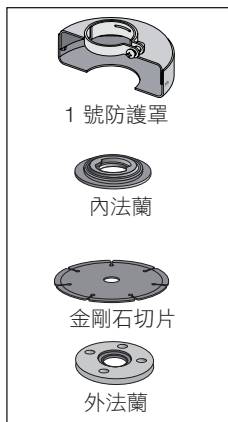
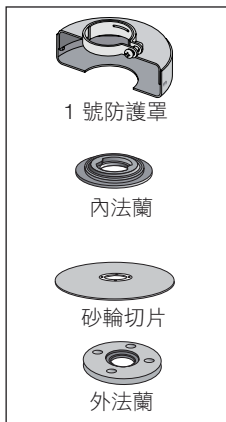
100 公釐百葉輪



鋼絲輪



100 公釐切割片



操作之前

- 安裝防護罩及合適的圓盤或砂輪片。請勿使用過度磨損的圓盤或砂輪片。
- 確保內部和外部法蘭已正確安裝。
- 確保圓盤或砂輪片以配件和工具上的箭頭方向旋轉。

操作

使用說明



警告：請時刻遵守安全指示和適用的法規。



警告：為了降低造成嚴重人身傷害的風險，在進行任何調整或卸下或安裝附件或配件之前，切記關閉工具並斷開工具電源。重新連接工具之前，請按下並鬆開觸發開關以確保工具已關閉。



警告：

- 確保所有要打磨或切削的材料已固定到位。
- 固定並支撐工件。使用夾具或老虎鉗，將工件固定、支撐到穩定的平臺上。務必牢固地夾住和撐住工件以防止工件移動和失控。工件移動或失控可能會引發危險並導致人身傷害。
- 輕輕地對工具施加壓力。請勿對圓盤施加側壓力。

- 避免過載。若工具變熱，請讓其在空載狀況下運行幾分鐘。

手的正確位置 (圖 6)



警告：為降低遭受嚴重人身傷害的風險，**務必**如圖示那樣正確放置雙手。



警告：為降低遭受嚴重人身傷害的風險，預期有突然反應時**務必**握緊。

正確的雙手放置位置是一隻手放在側手柄 (圖 1) 上，另一隻手握住工具主體，如圖 6 所示。

開關



小心：緊握工具主體以在啟動時和使用過程中保持對工具的控制，直到砂輪片或配件停止旋轉。確保砂輪片完全停止後才放下工具。

注：若要減少工具意外移動，請勿在負載情況下開啟或關閉工具。允許砂輪機運行達到全速後再接觸工作表面。從工作表面提起工具，然後再關閉工具。允許工具停止旋轉後再將其放下。

滑動開關 DWE8200S 和 DWE82100S (圖 3)



警告：將工具連接到電源之前，按下滑動開關的後部，然後鬆開，確保開關處於關閉位置。在工具的電源出現中斷後，如啟動接地故障斷路器、丟棄斷路器、意外拔下插頭或斷電，如上面所述確保滑動開關處於關閉位置。若連接電源後滑動開關鎖定為開啟狀態，工具將會意外啟動。

若要啟動工具，請將滑動開關 (g) 滑向工具的前方。若要停止工具，請鬆開滑動開關。

若要執行持續操作，請將開關滑向工具的前方並向內按開關的前部。若要在持續操作模式停止工具，請按下滑動開關的後部，然後鬆開。

撥動開關 DWE8200T (圖 3)



警告：使用工具之前，請檢查手柄是否牢固擰緊。

若要開啟工具，請將按鈕 (g1) 提起至 "1" 位置；若要關閉工具，請將撥動開關按鈕 (g1) 推至 "0" 位置。



警告：請勿在負載情況下開啟或關閉工具。

槳式開關 DWE8200PL 和 DWE82100PL (圖 3)

若要啟動工具，請按下鎖止開關 (g2)，然後按下槳式開關 (g3)。若要停止工具，請鬆開槳式開關 (g3)。

主軸鎖 (圖 1)

主軸鎖 (a) 可在安裝或卸下砂輪片時防止主軸旋轉。只能在工具關閉、拔出電源插頭且完全停止時使用主軸鎖。

注意：為了降低工具損壞的風險，請勿在工具運行時使用主軸鎖。否則將損壞工具，附著的配件可能會甩脫，從而導致傷害。

若要使用主軸鎖，請按下主軸鎖按鈕並旋轉主軸，直到無法再旋轉為止。

金屬應用

將工具用於金屬時，確保已插入漏電保護器 (RCD) 以避免金屬碎片導致的剩餘風險。

如果 RCD 切斷電源，請將工具送往 DEWALT 授權維修中心。



警告：在極端工作條件下，處理金屬時，機殼內部可能會積聚導電粉塵。這可能導致機器中的保護絕緣變弱，可能會引起觸電。

若要避免在機器內部積聚金屬碎片，我們建議每天清潔通風槽。請參閱維護。

使用百葉輪



警告：金屬粉塵積聚。在金屬應用中過度使用百葉輪可能會增加觸電的風險。若要降低此風險，使用前請插入 RCD，並每天清潔通風槽，按照下方的維護指示將乾燥的壓縮空氣吹入通風槽。

維護

DEWALT 電動工具採用卓越的設計，能夠長時間使用，並且只需最少的維護。若要持續獲得滿意的操作效果，需進行正確的工具維護和定期的清潔。



警告：為了降低造成嚴重人身傷害的風險，在進行任何調整或卸下或安裝附件或配件之前，切記關閉工具並斷開工具電源。重新連接工具之前，請按下並鬆開觸發開關以確保工具已關閉。

限電式碳刷

電動機將自動關閉，指示碳刷快磨完，且工具需要檢修。碳刷無法由使用者自行檢修。請將工具送往 DEWALT 授權維修中心。



潤滑

本電動工具毋需額外潤滑。



清潔



警告：一旦通風口及其周圍積聚了可見的塵埃，請立即使用乾燥的壓縮空氣吹掉主機外殼內的塵埃和灰塵。執行此步驟時，請佩戴經認可的護目裝備和防塵面罩。



警告：請勿使用溶劑或其他刺激性化學品來清潔工具的非金屬部件。這些化學品可能會削弱零件中使用的材料。只能使用抹布蘸中性肥皂水進行清潔。不要讓任何液體進入工具；不要讓工具的任何部分浸入液體中。

當地法規可能要求由市政廢物回收點，或由向您出售新產品的經銷商來提供從家庭中個別收集電器產品的服務。

DEWALT 在其產品使用壽命結束時提供 DEWALT 產品收集和回收利用的便利。若要享受此項服務，請將產品送回任一授權維修中心，由其代表我們進行收集。

請根據本手冊上所提供地址與當地 DEWALT 辦事處聯絡，查詢離您最近的授權維修中心所在位置。亦可瀏覽網站查詢 DEWALT 授權維修中心清單和售後服務及聯絡資料之詳細資訊，網址是：

www.2helpU.com。

進口商:永安實業股份有限公司

地址:新北市三重區中山路286號

電話:02-29994633

選購配件



警告：由於非 DEWALT 提供的配件未在本產品上進行過使用測試，在本產品上使用這些附件可能發生危險。為降低傷害危險，在本產品上只應使用 DEWALT 所推薦的配件。

如需進一步瞭解適用配件的相關資訊，請洽詢當地經銷商。

保護環境



個別收集。本產品必須與一般家庭廢物分開處置。

若您發現您的 DEWALT 產品需要進行替換，或您已經不再需要使用這些產品，請不要將它們與家庭廢物一起處置。務必將本產品送往個別收集處。



個別收集用過的產品和包裝允許材料再循環利用。重新使用循環利用的材料有助於防止環境污染，並減少原始材料的需求。

앵글 그라인더

DWE8200T, DWE8200S, DWE8200PL, DWE8210S, DWE8210PL

축하합니다!

DEWALT 공구를 선택해 주셔서 감사합니다. DEWALT는 오랜 경험과 제품 개발 및 혁신을 통해 전문 전동 공구 사용자들이 인정하는 기업으로 자리잡아 왔습니다.

기술 데이터

		DWE8200T	DWE8200S	DWE8200PL	DWE8200S	DWE8210PL
전압	V	220	220	220	220	220
유형		1	1	1	1	1
소비전력	W	850	850	850	850	850
무부하/정격 속도	/min	12000	12000	12000	12000	12000
휠 직경	mm	100	100	100	125	125
스핀들 직경		M10	M10	M10	M14	M14
스위치 스타일		토글	슬라이드	패들	슬라이드	패들
무게	kg	1.75*	1.75*	1.75*	1.95*	1.95*

* 무게 (사이드 핸들, 코드 세트 및 와이어 제외, 가드 및 플랜지 포함)

개념: 안전 지침

다음 정의는 각 경고 문구의 심각도를 설명합니다. 사용 설명서를 읽고 다음 기호들에 유의하십시오.



위험: 임박한 위험 상태를 나타내며, 방지하지 않으면 사망 또는 심각한 부상을 초래할 수 있습니다.



경고: 잠재적 위험 상태를 나타내며, 방지하지 않으면 사망 또는 심각한 부상을 초래할 수 있습니다.



주의: 잠재적 위험 상태를 나타내며, 방지하지 않으면 경미한 부상을 초래할 수 있습니다.

참고: 신체 부상을 초래하지 않는 행위를 나타내며, 방지하지 않으면 재산상의 손해가 발생할 수 있습니다.



감전 위험을 나타냅니다.



화재 위험을 나타냅니다.



경고: 부상 위험을 줄이려면 사용 설명서를 숙지하십시오.

전동 공구에 관한 일반 안전 경고



경고! 모든 안전 경고와 지시사항을 읽으십시오. 경고와 지시 사항을 준수하지 않으면 감전, 화재 및/또는 심각한 부상을 초래할 수 있습니다.

향후 참고할 수 있도록 모든 경고 및 지시 사항을 보관해두십시오.

경고에서 사용된 "전동 공구" 라는 용어는 주 공급 전원 에 의해 전기가 공급되는 (유선) 전동 공구 또는 충전식 (무선) 전동 공구를 의미합니다.

1) 작업 영역 안전

- 작업 영역을 청결하고 조명을 밝게 유지하십시오.** 혼잡하거나 어두운 작업장에서는 사고가 발생하기 쉽습니다.
- 가연성 액체, 가스 또는 먼지 등이 있는 폭발성 대기에서 전동 공구를 사용하지 마십시오.** 전동 공구에서 먼지나 가스를 발화시킬 수 있는 불꽃이 될 수 있습니다.
- 전동 공구로 작업하는 동안에는 어린이와 주변 사람들이 작업 영역에 가까이 들어오지 못하도록 하십시오.** 주변이 산만해져 통제력을 잃을 수 있습니다.

2) 전기 안전

- 전동 공구의 플러그는 콘센트와 형식이 일치해야**

합니다. 플러그를 어떤 방식으로든 절대 개조하지
마십시오. 접지된(지면 접지) 전동 공구에 어떤 어
댑터 플러그도 사용하지 마십시오. 개조되지 않은
플러그 및 형식이 일치하는 콘센트를 사용하면 감
전 위험이 줄어듭니다.

- b) **파이프, 라디에이터, 렌치 및 냉장고 등과 같이 접지
된 표면에 신체가 접촉하지 않도록 하십시오.** 신체가
가 접지되어 있으면 감전 위험이 높아집니다.
- c) **전동 공구를 비 또는 습한 환경에 노출하지 않도
록 주의하십시오.** 전동 공구에 물이 들어가면 감
전 위험이 높아집니다.
- d) **코드를 합부로 다루지 마십시오.** 코드를 사용하여
전동 공구를 운반하거나 잡아당기거나 플러그를
뽑지 마십시오. 열, 오일, 날카로운 모서리 또는 움
직이는 부품에서 멀리 떨어진 장소에 코드를 보관
하십시오. 코드가 손상되거나 얽혀 있으면 감전
위험이 높아집니다.
- e) **전동 공구를 실외에서 사용할 때는 실외 사용에 적
합한 연장 코드를 사용하십시오.** 실외 사용에 적
합한 코드를 사용하면 감전 위험이 줄어듭니다.
- f) **어쩔 수 없이 습한 장소에서 전동 공구를 사용해야
하는 경우에는 누전 차단기(RCD)로 보호된 전원을
공급하십시오.** RCD(차단기)를 사용하면 감전 위
험이 줄어듭니다.*

3) 신체 안전 사항

- a) **전동 공구로 작업할 때는 방심하지 말고 작업에 주
의하면서 상식을 따르십시오.** 피곤한 상태이거나
약물, 술, 치료제를 복용한 상태에서는 전동 공구를
사용하지 마십시오. 전동 공구를 사용하는 중에 주
의력을 잃어 순간적으로 부상을 당할 수 있습니다.
- b) **신체 보호 장비를 착용하십시오.** 항상 보안경을 착용
하십시오. 적합한 상황에서 방진 마스크, 미끄럼
방지 안전화, 안전모 또는 청력 보호 기구 등의 보
호 장비를 사용하면 신체 부상 위험이 줄어듭니다.
- c) **의도하지 않은 장비 가동 방지.** 전원 및/또는 배터
리 팩에 연결한 상태로 공구를 선택 또는 운반할
때는 사전에 스위치가 꺼짐 위치에 있는지 반드시
확인하십시오. 스위치가 켜짐 위치에 있는 상태에
서 스위치에 손가락이 닿은 상태로 전동 공구를
운반하거나 전동 공구에 전원을 공급하면 사고가
발생합니다.
- d) **전동 공구를 켜기 전에 모든 조정 키 또는 렌치를
제거하십시오.** 전동 공구의 회전 부품에 렌치나
키가 장착되어 있으면 부상을 당할 수 있습니다.
- e) **무리하게 팔을 뻗지 마십시오.** 항상 올바른 자세
로 서서 균형을 유지하십시오. 그러면 예기치 않은
상황에서의 전동 공구 제어 능력이 향상됩니다.
- f) **적절한 작업복을 착용합니다.** 헐렁한 옷이나 장신

구를 착용하지 마십시오. 머리카락, 옷 및 장갑이
움직이는 부품에 닿지 않도록 유의하십시오. 헐렁
한 옷, 장신구 또는 긴 머리카락이 움직이는 부품에 걸
수 있습니다.

- g) **먼지 배출 및 집진 시설 연결을 위한 장치**가 제공
된 경우, 이들 장치가 연결되어 적절히 사용되고
있는지 반드시 확인하십시오. 집진 장치를 사용하
면 먼지와 관련된 위험을 줄일 수 있습니다.

4) 전동 공구 사용 및 주의 사항

- a) **전동 공구에 무리한 힘을 가하지 마십시오.** 해당
용도에 맞는 올바른 전동 공구를 사용하십시오. 올
바른 전동 공구를 사용해야 설계된 속도로 작업을
더욱 안전하고 정확하게 수행할 수 있습니다.
- b) **켜지거나 꺼지지 않는 경우 전동 공구를 사용하지
마십시오.** 스위치로 제어되지 않는 전동 공구는
위험하므로 수리해야 합니다.
- c) **전동 공구를 조정하거나 액세서리를 변경하거나
보관하기 전에 전원 및/또는 배터리 팩에서 플러그
를 뽑으십시오.** 이러한 예방적 안전 조치를 따라야
전동 공구가 갑자기 작동할 위험이 줄어듭니다.
- d) **사용하지 않는 전동 공구는 어린이의 손이 닿지 않
는 곳에 보관하고, 전동 공구나 본 지시 사항에 익
숙하지 않은 사람이 전동 공구를 절대 사용하지 못
하게 하십시오.** 전동 공구는 훈련을 받지 않은 사
용자가 다루면 위험합니다.
- e) **전동 공구 유지 보수.** 움직이는 부품의 잘못된 정
렬이나 바인딩, 부품 파손 및 기타 전동 공구의 작
동에 영향을 미칠 수 있는 기타 모든 상태를 확인
하십시오. 손상된 부분이 있는 경우 사용하기 전
에 전동 공구를 수리하십시오. 많은 사고는 전동
공구를 제대로 유지 보수하지 않아 발생합니다.
- f) **절삭 공구를 예리하고 깨끗한 상태로 유지하십시오.**
절삭 가장자리를 예리하게 잘 유지하면 절삭기
를 사용할 때 바인딩이 적고 다루기가 용이합니다.
- g) **작업 환경과 수행할 작업을 고려하여, 본 지시 사
항에 따라 전동 공구, 액세서리 및 톨 비트 등을 사
용하십시오.** 본 사용 설명서의 내용과 다른 용도
로 전동 공구를 사용하면 위험한 상황이 발생할
수 있습니다.

5) 정비

- a) **자격을 갖춘 기술자가 동일 교체 부품을 사용하여
정비 작업을 수행해야 합니다.** 그래야 전동 공구
의 안전이 보장됩니다.

추가 특수 안전 규칙

모든 조작에서의 안전 지시 사항

- a) **이 전동 공구는 그라인더, 샌더, 와이어 브러쉬, 광**

택기 또는 절단 공구에 사용할 수 있습니다. 이 전 동 공구와 함께 제공되는 모든 안전 경고와 지시 사항, 설명 및 사양을 읽으십시오. 아래 설명한 모든 지시 사항을 따르지 않으면 감전, 화재 및/또는 심각한 부상을 초래할 수 있습니다.

- b) 공구 제조업체가 구체적으로 설계하고 권장하지 않은 액세서리는 사용하지 마십시오. 전동 공구에 부착할 수 있다고 해서 반드시 안전하게 조작할 수 있는 것은 아닙니다.
- c) 액세서리의 정격 속도는 최소한 전동 공구에 표기 되어 있는 최대 속도와 같아야 합니다. 정격 속도 보다 빠르게 작동하는 액세서리는 파손되어 튀겨 나갈 수 있습니다.
- d) 액세서리의 외경 및 두께는 사용하는 전동 공구의 용량 등급 이내이어야 합니다. 잘못된 규격의 액세서리는 제대로 보호하거나 제어할 수 없습니다.
- e) 휠, 플랜지, 이면 패드 또는 기타 액세서리의 주축 크기는 전동 공구의 스피indle에 꼭 맞아야 합니다. 주축 구멍이 전동 공구에 장착할 하드웨어와 맞지 않는 액세서리는 균형을 잃어 과도하게 진동하며 통제할 수 없게 됩니다.
- f) 손상된 액세서리는 사용하지 마십시오. 사용 전에 항상 액세서리를 검사해 연삭 휠이 깨어거나 갈라지지 않았는지, 이면 패드가 갈라지거나 찢어지거나 과도하게 마모되지 않았는지, 와이어 브러시의 와이어가 느슨하거나 갈라지지 않았는지 확인하십시오. 전동 공구나 액세서리를 떨어뜨린 경우에는 손상된 부분이 없는지 검사하고 손상된 부분이 있을 경우 손상되지 않은 액세서리를 설치하십시오. 액세서리를 검사 및 설치한 뒤 회전하는 액세서리 작업대에서 멀리 거리를 유지하고 전동 공구를 1 분 간 최대 무부하 속도로 작동시키십시오. 액세서리가 손상된 경우 보통 이 테스트 중에 떨어져 나갑니다.
- g) 신체 보호 장비를 착용하십시오. 용도에 따라 안전 보호구, 안전 고글 또는 보안경을 이용하십시오. 필요에 따라 작은 연삭 또는 가공품 파편을 막을 수 있는 방진 마스크, 청력보호구, 장갑 및 작업용 앞치마를 착용하십시오. 보안경은 다양한 작업으로 인해 생성되는 비산 파편들을 차단할 수 있어야 합니다. 마스크나 방독 마스크는 작업으로 인해 생성되는 먼지를 거를 수 있어야 합니다. 높은 소음에 오랫동안 노출되면 청력이 손상될 수 있습니다.
- h) 주변 사람들이 작업 영역으로부터 안전 거리를 유지하게 하십시오. 작업 영역에 들어오는 사람들은 모두 신체 보호 장구를 착용해야 합니다. 가공품 또는 손상된 액세서리 파편이 작업 중인 곳을 벗어나 멀리 날아가 부상을 입힐 수 있습니다.
- i) 절삭 액세서리가 숨겨진 배선 또는 자체 코드에 접촉할 수 있는 작업을 수행할 때는 절연된 손잡이 표면만 닿도록 하여 전동 공구를 잡으십시오. 전

류가 흐르는 전선에 접촉된 절삭 액세서리는 전동 공구의 노출된 금속 부품을 "전류가 흐르는" 상태로 만들어 작업자를 감전시킬 수 있습니다.

- j) 코드는 회전하는 액세서리에 닿지 않게 하십시오. 통제를 하지 못할 경우 코드가 잘리거나 감겨 작업자의 손이나 팔이 회전하는 액세서리에 끌려 들어갈 수 있습니다.
- k) 절대 액세서리가 완전히 멈출 때까지 전동 공구를 내려 놓지 마십시오. 회전 액세서리가 표면에 튕겨 전동 공구를 제어하지 못하게 될 수 있습니다.
- l) 전동 공구를 허리에 차고 이동할 때 작동시키지 마십시오. 회전 액세서리와 실수로 닿게 되면 옷이 휘감겨 액세서리가 신체에 박힐 수 있습니다.
- m) 전동 공구의 통풍구를 주기적으로 청소하십시오. 모터의 팬은 하우징 내부로 먼지를 흡입하는데 금속 가루가 너무 많이 쌓이면 전기 장치가 고장 날 수 있습니다.
- n) 가연성 물질 근처에서 전동 공구를 작동시키지 마십시오. 스파크로 인해 점화가 될 수 있습니다.
- o) 냉각용 액체가 필요한 액세서리는 사용하지 마십시오. 물이나 기타 액체 냉매를 이용하면 감전사 또는 감전될 수 있습니다.

모든 조작에 대한 추가 안전 지시 사항

반동의 원인과 작업자의 예방 조치

반동이란 회전하는 휠, 이면 패드, 브러시 또는 기타 액세서리가 꼭 끼거나 장애물에 걸려 생기는 갑작스런 반작용을 의미합니다. 장애물에 끼거나 걸리면 회전하는 액세서리가 급속히 감속되어 통제력을 잃은 전동 공구가 걸린 지점에서 액세서리 회전 방향과 반대되는 방향으로 밀립니다.

예를 들어, 연삭 휠이 가공품에 걸리거나 낄 경우 낄 지점으로 들어가는 휠 가장자리가 가공물의 표면을 파고 들어 휠이 튀어 나올 수 있습니다. 끼인 지점에서의 휠 운동 방향에 따라 휠이 작업자 쪽 또는 반대 방향으로 될 수 있습니다. 이런 환경에서 연마 휠도 파손될 수 있습니다.

반동은 공구를 잘못 사용하거나 잘못된 조작 절차 또는 조건으로 인해 발생할 수 있으며 아래와 같은 올바른 예방 조치를 통해 막을 수 있습니다.

- a) 전동 공구를 꼭 쥐고 반발력에 저항할 수 있는 자세를 유지하십시오. 반동이나 시동 중의 토크 반발력을 최대한 제어할 수 있도록 사이드 핸들이 있으면 항상 이용하십시오. 작업자가 적절한 예방 조치를 취하면 토크 반발력이나 반동력을 제어할 수 있습니다.
- b) 절대 회전하는 액세서리 가까이 손을 두지 마십시오. 액세서리가 손에 될 수 있습니다.

- c) **반동으로 인해 전동 공구가 튈 수 있는 곳에 자리 잡지 마십시오.** 반동은 휠이 걸린 지점에서 휠 움직임과 반대 방향으로 공구가 튀게 합니다.
- d) **모서리, 날카로운 가장자리 등을 가공할 때는 특히 주의하십시오.** 액세서리가 튀거나 걸리지 않게 하십시오. 모서리, 날카로운 가장자리 또는 탄력 있는 부분에는 회전 액세서리가 걸려 통제력을 잃거나 튀어 오르기 쉽습니다.
- e) **전기톱 목공용 날이나 톱니가 있는 톱날을 부착하지 마십시오.** 이런 톱날은 반동이 생기거나 통제력을 잃게 되는 경우가 잦습니다.

직이는 동안에는 절단 부위에서 절단 휠을 떼려 하지 마십시오. 그렇지 않으면 반동이 생길 수 있습니다. 검사를 받아서 휠 고착 원인을 제거하기 위한 조치를 취하십시오.

- d) **작업물에서 절단 작업을 다시 시작하지 마십시오. 휠이 최대 속도에 도달하도록 한 뒤 조심해서 절단을 다시 시작하십시오.** 가공물에서 전동 공구를 다시 가동하면 휠이 고착되거나 가공물을 타고 휘 올라가거나 튈 수 있습니다.
- e) **패널 또는 너무 큰 작업물은 휠이 끼여 반동이 생길 위험을 최소화할 수 있도록 받침대로 받쳐 주십시오.** 가공물이 너무 크면 무게로 인해 처지곤 합니다. 지지대는 가공물 아래 절단선 가까이, 그리고 휠 양 쪽의 가공물 가장자리 가까이 배치해야 합니다.
- f) **기존의 벽 또는 다른 앞이 안 보이는 영역에 “포켓 컷”을 할 때는 각별히 주의하십시오.** 휠이 전진하면서 가스관이나 수도관, 전기 배선 또는 반동을 유발할 수 있는 물체를 자를 수 있습니다.

연마 및 연삭 절단 작업에 대한 안전 경고 사항

- a) **사용하는 전동 공구 및 선택한 휠용으로 설계된 보호커버용으로 권장하는 유형의 휠만 사용하십시오.** 전동 공구의 설계에 적합하지 않은 휠은 제대로 보호할 수 없어 안전하지 않습니다.
- b) **최대할 안전을 위해 가드는 전동 공구에 단단히 장착 및 위치해야 합니다. 그래야 최소한 양의 휠이 작업자 쪽으로 노출됩니다.** 가드는 작업자가 휠과 실수로 닿거나 손상된 휠 파편으로부터 작업자를 보호해 줍니다.
- c) **휠은 권장 용도에만 사용해야 합니다. 예: 절단 휠의 측면으로 연마 작업을 하지 마십시오.** 연삭 절단 휠은 원주 연삭용이며 휠의 측면에서 힘을 주면 산산이 부서질 수 있습니다.
- d) **선택한 휠에 맞는 크기와 모양의 손상되지 않은 휠 플랜지를 사용하십시오.** 적합한 휠 플랜지는 휠을 지지해 휠 파손 가능성을 줄여줍니다. 절단 휠용 만조는 연마 휠 만조와 다를 수 있습니다.
- e) **더 큰 전동 공구에서 사용했던 마모된 휠을 사용하지 마십시오.** 더 큰 전동 공구용으로 제작된 휠은 작은 공구의 높은 속도에 적합하지 않아 파열될 수 있습니다.

샌딩 작업에서의 안전 경고

- a) **과도하게 큰 샌딩 디스크 페이퍼를 사용하지 마십시오.** 사포를 선택할 때는 제조업체의 권장 사항을 따르십시오. 샌딩 패드 이상으로 확장된 더 큰 사포를 사용할 경우 부상을 입을 위험이 있으며 디스크의 걸림, 찢어짐 또는 반동을 야기할 수 있습니다.

광택 작업에서의 안전 경고

- a) **폴리싱 보닛 또는 폴리싱 보닛의 부착용 스트링의 느슨한 부분이 마음대로 돌지 않게 하십시오.** 느슨한 부착용 스트링은 모두 접어 넣거나 잘라내십시오. 부착용 스트링이 느슨해 들게 되면 손가락에 휘감기거나 가공품에 걸릴 수 있습니다.

와이어 브러싱 작업에서의 안전 경고

- a) **일반적인 작업 중에도 브러시에 의해 와이어 강모가 날린다는 점을 유념하십시오.** 브러시에 과도한 부하를 적용해 와이어에 지나친 압력을 주지 마십시오. 와이어 강모는 얇은 옷감이나 피부를 쉽게 통과할 수 있습니다.
- b) **가드 사용이 와이어 브러싱에 권장되는 경우, 가드에 와이어 휠 또는 브러시의 간섭을 허용하지 마십시오.** 와이어 휠 또는 브러시는 작업 및 원심력으로 인해 직경이 확대될 수 있습니다.

연삭 절단 작업에 대한 추가 안전 경고 사항

- a) **절단 휠이 "걸리게" 하거나 과도한 압력을 주지 마십시오.** 지나치게 깊은 절단을 시도하지 마십시오. 휠에 과도한 압력을 가하면 부하가 증가해 휠이 뒤틀리거나 절단 부위에 고착되거나 반동 또는 휠이 파손될 수 있습니다.
- b) **회전하는 휠의 일직선 상이나 뒤에 있지 마십시오.** 작업 위치에서 휠이 작업자의 몸에서 떨어져 가고 있을 경우 반동으로 인해 회전하는 휠과 전동 공구가 작업자에게로 튈 수 있습니다.
- c) **어떤 이유든 휠이 고착되거나 절단이 되지 않을 때는 전동 공구의 전원을 끄고 휠이 완전히 멈출 때까지 전동 공구를 움직이지 않게 하십시오.** 휠이 움직

그라인더에 대한 추가 안전 규칙

- **액세서리의 나사산 장착은 그라인더 스펀들 나사산과 일치해야 합니다.** 플랜지로 장착한 액세서리의 경우 액세서리의 추축 구멍이 플랜지의 로케이팅 직경에 맞아야 합니다. 전동 공구에 장착

할 하드웨어와 맞지 않는 액세서리는 균형을 잃어 과도하게 진동하며 통제할 수 없게 됩니다.

- 디프레스 센터 휠의 연마 표면은 가드 림의 평면 아래에 장착되어야 합니다. 가드 림의 면을 통해 보호되는 잘못 장착한 휠은 제대로 보호할 수 없습니다.
- 이 공구에 **타입 11(플레이어링 컵) 휠을 사용하지 마십시오.** 부적합한 액세서리를 사용하면 부상을 당할 수 있습니다.
- **항상 사이드 핸들을 사용하십시오. 확실하게 핸들을 조이십시오.** 항상 공구를 완벽히 제어하려면 항상 사이드 핸들을 사용해야 합니다.

사용 설명서 1 개

- **운반 중에 발생할 수 있는 공구, 부품 또는 액세서리의 손상 여부를 확인하십시오.**
- **작동 전에 시간을 내어 본 사용 설명서를 읽고 숙지하십시오.**

설명(그림 1)



경고: 전동 공구 또는 전동 공구의 어떤 부품도 절대 개조하지 마십시오. 제품이 파손되거나 신체 부상을 당할 수도 있습니다.

- 스핀들 잠금 버튼
- 스핀들
- 사이드 핸들
- 아래 만조
- 덮개 만조
- 가드
- 슬라이더 스위치 (DWE8200S 및 DWE8210S)
- g1. 토글 스위치 (DWE8200T)
- g2. 락오프 버튼 (DWE8200PL 및 DWE8210PL)
- g3. 패들 스위치 (DWE8200PL 및 DWE8210PL)

용도

DWE8200S, DWE8200T, DWE8200PL, DWE8210S, DWE8210PL, 스몰 앵글 그라인더는 전문 연마, 샌딩, 와이어 브러싱, 광택 및 절삭용으로 고안되었습니다.

디프레스 센터 휠 및 플랩 디스크 이외에 연마 휠을 사용하지 마십시오.

습한 환경이나 가연성 액체 또는 가스가 있는 장소에서 사용하지 마십시오.

본 헤비듀티 앵글 그라인더는 전문가용 전동 공구입니다.

어린이가 이 공구를 만지지 않도록 하십시오. 경험이 없는 작업자가 이 공구를 사용할 때는 감독자의 지도가 필요합니다.

- 이 제품은 신체, 지각 또는 정신 능력이 낮거나 경험 및 지식 또는 기술이 부족한 사람(어린이 포함)이 사용하도록 설계되어 있지 않습니다. 이러한 사람이 사용할 때는 안전 책임자의 감독이 필요합니다. 이 제품 옆에 어린이들이 있게 해서는 안 됩니다.

전기 안전

전기 모터는 한 가지 전압에만 맞추어 설계되었습니다.

전원이 전동기 네임 플레이트에 기재된 전압과 일치하는지 항상 확인하십시오.

기타 발생 가능한 위험

관련된 안전 규정을 준수하고 안전 장치를 사용한다고 해도 어떤 위험은 피할 수 없습니다.

이러한 위험은 다음과 같습니다.

- 청력 손상.
- 파편 날림으로 인한 신체 부상 위험.
- 작업 중 뜨거워지는 액세서리로 인한 화상 위험.
- 장시간 사용으로 인한 신체 부상의 위험.
- 유해 물질에서 발생하는 먼지 위험.

공구에 표시된 마크

공구에는 다음과 같은 그림이 있습니다.



사용 전에 사용 설명서의 내용을 숙지하십시오.



보안경을 착용하십시오.

날짜 코드 위치(그림 1)

날짜 코드(p)에는 제조년도도 포함되어 케이스에 인쇄되어 있습니다.

예:

2012 XX XX

제조년도

포장 내용물

포장에는 다음 내용물이 들어 있습니다.

앵글 그라인더 1개

가드 1개

사이드 핸들 1개

플랜지 세트 1개

육각 키 (DWE8 10S) 1 개

렌치 (DWE8200S, DWE8200T, DWE8200PL) 1 개



이 공구는 이중으로 절연되어 있으므로 접지선이 필요 없습니다. 전원이 전동기 내임 플레이트에 기재된 전압과 일치하는지 항상 확인하십시오.

전원 코드가 손상된 경우에는 DEWALT 서비스 센터를 통해 특수 제작된 코드로 교체해야만 합니다.

연장 케이블 이용

연장 케이블이 필요할 경우 이 공구의 소비전력에 맞는 승인된 3 코어 연장 케이블을 사용하십시오(기술 자료 참조). 최소 도체 크기는 1.5 mm², 최대 길이는 30 m 입니다.

케이블 릴을 사용할 때는 항상 케이블을 완전히 푸십시오.

조립 및 조정



경고: 심각한 신체 부상의 위험을 줄이려면 부착물 또는 액세서리를 조정하거나 제거/설치하기 전에 공구를 끄고 전원에서 공구 플러그를 빼십시오. 공구를 다시 연결하기 전에 트리거 스위치를 당겼다 놓아 공구가 꺼졌는지 확인하십시오.

사이드 핸들 부착 (그림 1)



경고: 공구를 사용하기 전에 핸들이 단단히 조여졌는지 확인하십시오.

사이드 핸들(이)을 기어 케이스의 양쪽 구멍 중 하나에 나사로 단단히 조입니다. 항상 공구를 완벽히 제어하려면 항상 사이드 핸들을 사용해야 합니다.

액세서리 및 부착물

그라인더 액세서리와 함께 사용할 정확한 가드, 이면 패드 및 플랜지를 선택해야 합니다. 정확한 액세서리 선택에 대한 정보는 이 섹션의 끝 부분에 있는 차트를 참조하십시오.

참고: 가장자리 연마 및 절삭은 이 용도로 설계 및 지정된 유형 27 휠로 수행할 수 있습니다.



경고: 최소한 공구 경고 라벨에 권장되어 있는 속도에서 액세서리를 사용해야 합니다. 정격 액세서리 속도 이상에서 작동하는 휠 및 기타 액세서리는 갈라지거나 부상을 당할 수 있습니다. 나사산 액세서리에는 M10 허브 (DWE8200T, DWE8200S, DWE8200PL용) 또는 M14 허브 (DWE8210S, DWE8210PL용) 가 있어야 합니다. 나사산이 없는 모든 액세서리에는 22mm 주축 구멍이 있어야 합니다. 없을 경우, 원형 통용으로 고안되었을 수 있으

로 사용해서는 안됩니다. 이 섹션의 끝 부분에 있는 표시한 액세서리만 사용하십시오. 액세서리 등급은 공구 명판에 표시된 최소 속도 이상이어야 합니다.

가드 장착 (그림 2)

경고: 심각한 신체 부상의 위험을 줄이려면 부착물 또는 액세서리를 조정하거나 제거/설치하기 전에 공구를 끄고 전원에서 공구 플러그를 빼십시오. 공구를 다시 연결하기 전에 트리거 스위치를 당겼다 놓아 공구가 꺼졌는지 확인하십시오.



주의: 가드는 이 그라인더와 함께 사용해야 합니다.

금속 또는 석재 절삭용으로 DWE8200S, DWE8200T, DWE8200PL 또는 DWE8210S 또는 DWE8210PL 그라인더를 사용할 때는 반드시 유형 1 가드를 사용해야 합니다. 유형 1 가드는 DEWALT 판매점에서 추가 비용을 부담하고 구입할 수 있습니다.

참고: 이 그라인더와 함께 사용할 수 있는 다른 액세서리를 보려면 이 단원의 끝부분에 있는 연마 및 절삭 액세서리 차트를 참조하십시오.

달려져 있는(유형 1) 또는 표준(유형 27) 가드 장착



주의: 부착물이나 액세서리를 조정, 제거 또는 설치하기 전에 공구를 끄고 코드를 뽑으십시오. 공구를 다시 연결하기 전에 스위치를 켜다 꺼서 공구가 꺼졌는지 확인하십시오.

중심 휠은 M10 (DWE8200T, DWE8200S, DWE8200PL), M14 (DWE8210S, DWE8210PL) 스펀들에 바로 설치됩니다. 액세서리 나사산은 스펀들 나사산과 일치해야 합니다.

1. 가드 러그(k)가 기어 케이스 허브의 홈(j)에서 자유롭게 돌 때까지 나사를 풀니다.
2. 가드 (f) 를 원하는 작업 위치로 돌립니다. 최대한 작업자를 보호하기 위해 스펀들과 작업자 사이로 가드 몸체의 위치를 잡아야 합니다.
3. 나사를 조여 가드를 기어 케이스 커버에 고정합니다. (2.5 N·M 이상의 토크로 조입니다). 손으로 가드를 돌릴 수 없어야 합니다. 가드를 푼 상태에서 그라인더를 작동하지 마십시오.
4. 가드를 제거하려면 나사를 풀고 가드를 위로 당깁니다.



주의: 공구를 켜기 전에 휠을 제대로 끼우지 못하면 공구 또는 휠이 손상될 수 있습니다.

그라인딩 또는 절삭 디스크 장착 및 분리(그림 1' 4' 5)



경고: 손상된 디스크는 사용하지 마십시오.

1. 가드가 위를 향하도록 테이블에 공구를 올려 놓습니다.
2. 스펀들 (b) 에 아래 만조(d)를 정확하게 장착합니다 (그림 4).
3. 디스크 (n) 를 아래 만조 (d) 에 놓습니다. 중앙을 올린 상태에서 디스크를 장착할 때는, 올려져 있는 중앙 (l) 이 아래 만조 (d) 를 향하고 있는지 확인하십시오.
4. 덮개 만조 (e) 를 스펀들 (b) 에 고정합니다 (그림 5):
 - a. 연마 디스크를 장착할 때 덮개 만조 (e) 의 링은 디스크 쪽을 향해야 합니다 (그림 5A).
 - b. 절삭 디스크를 장착할 때 덮개 만조 (e) 의 링은 디스크로부터 멀리 향해야 합니다 (그림 5B).
5. 스펀들 잠금 버튼 (a) 을 누르고 제자리에 잠길 때까지 스펀들 (b) 을 돌립니다.
6. 제공된 렌치 또는 육각 키를 사용하여 덮개 만조 (e) 를 조입니다.
7. 스펀들 잠금을 놓습니다.
8. 디스크를 제거하려면, 제공된 렌치 또는 육각 키를 사용하여 덮개 만조 (e) 를 풉니다.

참고: 가장자리 연마 및 절삭은 이 용도로 지정된 유형 27 휠로 수행할 수 있습니다. 6 mm 두께의 휠은 표면 연마 용이고 3 mm 휠은 가장자리 연마용으로 지정되어 있습니다. 또한 절삭은 유형 1 휠 및 유형 1 가드를 사용하여 수행할 수도 있습니다.

공구에 대한 그라인딩 또는 절삭 디스크의 권장 직경은 100mm (DWE8200S, DWE8200T, DWE8200PL) 또는 125mm (DWE8210S, DWE8210PL)입니다.

와이어 브러시 및 와이어 휠 장착

와이어 컵 브러시 또는 와이어 휠은 플랜지를 사용하지 않고 그라인더 스펀들에 바로 나사로 고정합니다. M10 (DWE8200S, DWE8200T, DWE8200PL) 또는 M14 (DWE8210S, DWE8210PL) 나사산 허브와 함께 제공된 와이어 브러시 또는 휠만 사용하십시오. 와이어 브러시 및 휠을 사용할 때는 유형 27 가드가 필요합니다.



주의: 와이어 브러시 및 휠을 취급할 때는 작업 장갑을 착용하십시오. 날카로울 수 있습니다.



주의: 휠 또는 브러시가 장착 시 또는 사용 중에 가드에 닿아서는 안됩니다. 액세서리에 감지할 수 없는 손상이 발생할 수 있고, 와이어가 액세서리 휠 또는 컵에서 부서질 수 있도록 합니다.

1. 손으로 휠을 스펀들에 끼웁니다.
2. 스펀들 잠금 버튼을 누르고 와이어 휠 또는 브러시 허브에 있는 렌치를 사용하여 휠을 조입니다.
3. 휠을 제거하려면 위의 절차와 반대로 하십시오.

참고: 공구를 켜기 전에 휠 허브를 제대로 끼우지 못하면 공구 또는 휠이 손상될 수 있습니다.

공구에 대한 와이어 브러시 및 와이어 휠의 권장 직경은 100mm (DWE8200S, DWE8200T, DWE8200PL) 또는 125mm (DWE8210S, DWE8210PL) 입니다.

이면 패드/샌딩 시트 장착 및 분리

1. 가드가 위를 향하도록 테이블 또는 평면에 공구를 올려 놓습니다.
2. 아래 만조 (d) 를 분리합니다.
3. 스펀들 (b) 에 고무 이면 패드를 정확하게 놓습니다.
4. 고무 이면 패드에 사포를 놓습니다.
5. 덮개 만조 (e) 를 스펀들에 나사로 고정합니다. 덮개 만조의 링은 고무 이면 패드 쪽을 향해야 합니다.
6. 스펀들 잠금 버튼(a)을 누르고 제자리에 잠길 때까지 스펀들 (b) 을 돌립니다.
7. 제공된 육각 키 또는 두 개의 핀 스패너를 사용하여 덮개 만조 (e) 를 조입니다.
8. 스펀들 잠금을 놓습니다.
9. 고무 이면 패드를 제거하려면, 제공된 렌치 또는 육각 키 또는 두 개의 핀 스패너를 사용하여 덮개 만조 (e) 를 풉니다.

공구의 경우 이면 패드/사포의 권장 직경은 100mm (DWE8200S, DWE8200T, DWE8200PL) 또는 125mm (DWE8210S, DWE8210PL) 입니다.

와이어 컵 브러시 장착

스페이서 및 나사산 플랜지를 사용하지 않고 와이어 컵 브러시를 스펀들에 직접 고정합니다.

100mm 연마 휠



100mm 샌딩 플랩 디스크



와이어 휠



100mm 절삭 휠



작동을 하기 전에

- 가드와 적절한 디스크 또는 휠을 설치합니다. 과도하게 마모된 디스크 또는 휠을 사용하지 마십시오.
- 내부 및 외부 플랜지가 정확하게 장착되었는지 확인하십시오.
- 디스크 또는 휠이 액세서리 및 공구의 화살표 방향으로 회전하도록 하십시오.

작동

사용 지침



경고: 안전 지시 사항과 해당 규정을 항상 준수하십시오.



경고: 심각한 신체 부상의 위험을 줄이려면 부착물 또는 액세서리를 조정하거나 제거/설치하기 전에 공구를 끄고 전원에서 공구 플러그를 빼십시오. 공구를 다시 연결하기 전에 트리거 스위치를 당겼다 놓아 공구가 꺼졌는지 확인하십시오.



경고:

- 연마 및 절단할 모든 재료가 제자리에 고정되어 있는지 확인하십시오.
- 작업물을 고정하고 지지합니다. 클램프 또는 바이스를 사용해 안정된 작업대에 작업물을 고정 및 지지하십시오. 작업물의 이동 및 제어력 손실을 방지하려면 작업물을 단단히 고정하고 지지하는 것이 중요합니다. 작업물이 이동하거나 제어력을 잃으면 위험 요인

이 생겨 신체 부상을 입을 수 있습니다.

- 공구에 적당한 압력만 가하십시오. 디스크에 축압을 가하지 마십시오.
- 과부하를 피하십시오. 공구가 가열되면 무부하 상태로 몇 분 정도 작동시키십시오.

치 안쪽의 앞쪽을 누릅니다. 연속 모드에서 작동 중일 때 공구를 멈추려면 슬라이더 스위치의 뒤쪽을 눌렀다가 놓습니다.

토글 스위치 DWE8200T (그림 3)



경고: 공구를 사용하기 전에 핸들이 단단히 조여졌는지 확인하십시오.

공구를 켜려면, 버튼(g1)을 "1" 위치로 올리고, 공구를 끄려면 토글 스위치 버튼(g1)을 "0" 위치로 밀니다.



경고: 부하가 실려 있을 때는 공구를 켜거나 끄지 마십시오.

패들 스위치 DWE8200PL 및 DWE8210PL ((그림 3)

공구를 실행하려면 락오프 스위치 (g2) 를 누른 뒤 패들 스위치를 누르십시오 (g3).

공구를 정지하려면, 패들 스위치에서 손을 떼십시오.

스핀들 잠금 (그림 1)

스핀들 잠금 (a) 은 휠을 설치하거나 제거할 때 스팀들이 회전하는 것을 방지하기 위한 것입니다. 공구가 꺼져 있고, 전원 공급 장치에서 플러그를 뽑고 완전히 정지했을 때만 스팀들 잠금을 작동하십시오.

참고: 공구 손상의 위험을 줄이려면, 공구가 작동되는 동안에는 스팀들 잠금을 작동하지 마십시오. 공구 손상이 발생되고 장착한 액세서리가 가능한 대로 돌아서 부상을 당할 수 있습니다.

잠금을 작동하려면, 스팀들 잠금 버튼을 누르고 스팀들을 더 돌릴 수 없을 때까지 스팀들을 돌립니다.

금속 응용

금속 응용에서 공구를 사용할 때는, 금속 잔여물로 인한 발생 가능한 위험을 방지하기 위해 RCD (차단기) 가 꽃혀 있는지 확인하십시오.

전원 공급이 RCD 로 인해 차단된 경우, 공인 DEWALT 수리점에 공구를 맡기십시오.



경고: 극심한 작업 조건에서는 금속 작업 시 전도성 먼지가 기계 하우징 내부에 축적될 수 있습니다. 이로 인해 기계에 보호용 절연이 발생해, 감전의 잠재적인 위험으로 저하될 수 있습니다.

기계 안쪽에 금속 부스러기가 쌓이지 않도록 하려면, 매일 환기구를 청소하는 것이 좋습니다. 유지보수를 참조하십시오.

올바른 손 위치 (그림 6)



경고: 심각한 신체 부상의 위험을 줄이려면 항상 그림과 같이 올바르게 손을 위치하십시오.



경고: 심각한 부상의 위험을 줄이려면 항상 급작스러운 반동을 예상하고 확실하게 잡으십시오.

적절한 손의 위치는 그림 6과 같이 한 손은 사이드 핸들 (그림 1) 에 두고, 다른 손은 공구의 몸체에 두어야 합니다.

스위치



주의: 공구 작동을 시작할 때 및 공구 사용 중에, 그리고 휠이나 액세서리가 회전을 멈출 때까지 공구를 통제할 수 있도록 공구 몸체를 단단하게 잡으십시오. 공구를 놓혀 놓기 전에 휠이 완전히 멈추었는지 확인하십시오.

참고: 예기치 않은 공구의 움직임 줄이려면 부하가 실려 있을 때는 공구를 켜거나 끄지 마십시오. 작업면에 닿기 전에 그라인더가 최대 속도로 작동하도록 하십시오. 공구를 끄기 전에 작업면에서 공구를 들어 올리십시오. 내려 놓기 전에 공구가 회전을 멈추게 하십시오.

슬라이더 스위치 DWE8200S 및 DWE8210S (그림 3)



경고: 공구를 전원에 연결하기 전에, 스위치의 뒤쪽을 눌렀다 놓아서 슬라이더 스위치가 꺼짐 위치에 있는지 확인하십시오. GFI (ground fault interrupter) 작동, 회로 누전 차단기 끄김, 우발적인 플러그 분리 또는 정전과 같은 원인으로 공구에 대한 전원 공급이 중단되면 위의 설명에서와 같이 슬라이더 스위치가 꺼짐 위치에 있는지 확인하십시오. 전원에 연결되었을 때 슬라이더 스위치가 잠긴 상태일 경우 공구가 갑자기 작동됩니다.

공구를 시작하려면, 슬라이더 스위치(g)를 공구 앞쪽으로 밀니다. 공구를 정지하려면, 슬라이더 스위치를 놓습니다.

연속 작동을 위해, 스위치를 공구 앞쪽으로 밀고 스위

플랩 디스크 사용



경고: 금속 먼지가 쌓입니다. 금속 가공 장비에서 플랩 디스크를 광범위하게 사용하면 감전 위험이 증가할 수 있습니다. 이러한 위험을 줄이려면, 아래의 유지보수 지침에 따라 사용하기 전에 RCD를 삽입하고 매일 환기구로 건조한 압축 공기를 불어서 환기구를 깨끗하게 청소하십시오.

유지 보수

DEWALT 전동 공구는 최소한의 유지 보수로 장기간에 걸쳐 작업이 가능하도록 설계되어 있습니다.

만족스러운 동작을 계속 유지하려면 적절한 공구 관리와 정기적인 청소가 필요합니다.



경고: 심각한 신체 부상의 위험을 줄이려면 부착물 또는 액세서리를 조정하거나 제거/설치하기 전에 공구를 끄고 전원에서 공구 플러그를 빼십시오. 공구를 다시 연결하기 전에 트리거 스위치를 당겼다 놓아 공구가 꺼졌는지 확인하십시오.

팝오프 브러시

모터는 카본 브러시가 거의 마모되었고 공구 정비가 필요하다는 것을 표시하면서 자동으로 정지됩니다. 카본 브러시는 사용자가 수리할 수 없습니다. 공인 DEWALT 수리점에 수리를 의뢰하십시오.



윤활방법

전동 공구는 별도의 윤활 작업이 필요하지 않습니다.



청소



경고: 통풍구 속이나 주변에 먼지가 쌓여있는 것이 보이면 가능한 한 자주 건조한 공기를 이용하여 몸체에서 먼지를 불어내십시오. 이 절차를 수행할 때에는 승인된 보호 장구 및 승인된 방진 마스크를 착용하십시오.



경고: 공구의 금속 이외 부품을 청소할 때는 용제 등의 강력한 화학약품을 절대 사용하지 마십시오. 그렇지 않으면 이러한 부분에

사용된 재료가 약해질 수 있습니다. 형겔에 물과 순한 비누를 적셔 닦아주십시오. 공구 내부에 액체를 넣거나 공구 부품을 액체에 담그는 행동은 절대 금물입니다.

옵션 액세서리



경고: DEWALT에서 제공하지 않은 액세서리는 본 제품에서 테스트되지 않았으므로 본 제품에서 이러한 액세서리를 사용하면 위험할 수 있습니다. 신체 부상의 위험을 줄이려면 본 제품에 DEWALT 권장 액세서리만 사용해야 합니다.

해당 액세서리에 대한 자세한 정보는 판매 대리점으로 문의하십시오.

환경 보호



분리 수거하십시오. 본 제품을 일반 가정용 쓰레기로 처리하면 안됩니다.

DEWALT 제품을 교체해야 하거나 더 이상 쓸모가 없어 졌다고 판단될 때는 본 제품을 가정용 쓰레기와 함께 처리하지 마십시오. 이 제품은 분리 수거하십시오.



사용하던 제품과 포장물 분리 수거하면 자원을 재활용 및 재사용할 수 있습니다. 재활용 자원을 이용하면 환경 오염이 방지되고 고철 자원에 대한 수요를 줄일 수 있습니다.

지역에 따라 가정용 가전제품을 분리 수거하는 규정이 마련되어 있거나 새로운 제품을 구입할 때 판매점에서 폐기 방법을 알려줄 수 있습니다.

DEWALT는 사용이 끝난 DEWALT 제품을 수집하여 재활용하기 위한 시설을 운영하고 있습니다. 이 서비스를 활용하려면 당사가 폐제품 수거를 위임한 공인 수리 대리점에 제품을 반환해 주십시오.

본 사용 설명서에 기재된 연락처로 가까운 DEWALT 센터에 연락하면 가까운 수리 지정점 위치를 찾을 수 있습니다. 또는 다음 웹 사이트를 방문하여 DEWALT 공인 수리 대리점 목록과 A/S 및 연락처 등 자세한 정보를 찾아볼 수 있습니다.

www.dewalt.co.kr

GERINDA SUDUT

DWE8200T, DWE8200S, DWE8200PL, DWE8210S, DWE8210PL

Selamat!

Anda telah memilih perkakas DEWALT. Pengalaman bertahun-tahun, pengembangan dan inovasi produk menyeluruh telah menjadikan DEWALT salah satu rekan yang paling mampu diandalkan bagi para pengguna perkakas listrik profesional.

Data Teknis

		DWE8200T	DWE8200S	DWE8200PL	DWE8210S	DWE8210PL
Voltase	V	220-240	220-240	220-240	220-240	220-240
Tipe		1	1	1	1	1
Masukan daya	W	850	850	850	850	850
Kecepatan tanpa beban/nilai kecepatan	/menit	12000	12000	12000	12000	12000
Diameter roda	mm	100	100	100	125	125
Diameter kumparan		M10	M10	M10	M14	M14
Gaya sakelar		pelat	geser	tombol	geser	tombol
Berat	kg	1.75*	1.75*	1.75*	1.95*	1.95*

* berat tanpa gagang samping, set kabel, dan kabel; dengan pelindung dan pinggir roda.

Definisi: Pedoman Keselamatan

Definisi berikut ini menjelaskan tingkat bahaya untuk setiap kata sinyal. Harap baca buku petunjuk dan perhatikan simbol-simbol ini.



BAHAYA: Mengindikasikan situasi berbahaya yang tak terelakkan, yang jika tidak dihindari, **akan** mengakibatkan **kematian atau cedera berat**.



PERINGATAN: Mengindikasikan situasi berbahaya yang berpotensi terjadi, yang jika tidak dihindari, **dapat** mengakibatkan **kematian atau cedera berat**.



WASPADA: Mengindikasikan situasi berbahaya yang berpotensi terjadi, yang jika tidak dihindari, dapat mengakibatkan **cedera ringan atau sedang**.

PEMBERITAHUAN: Mengindikasikan suatu praktik yang **tidak berhubungan dengan cedera pribadi**, yang jika tidak dihindari, **mungkin** mengakibatkan kerusakan **barang**.



Menandakan risiko sengatan listrik.



Menunjukkan risiko kebakaran.



PERINGATAN: Untuk mengurangi risiko cedera, baca buku petunjuk manual.

Peringatan Keselamatan Perkakas Listrik Umum



PERINGATAN! Baca seluruh peringatan keselamatan dan seluruh petunjuk. Kegagalan untuk mengikuti peringatan dan instruksi dapat mengakibatkan sengatan listrik, kebakaran, dan/atau cedera berat.

SIMPAN SELURUH PERINGATAN DAN INSTRUKSI UNTUK RUJUKAN DI MASA DEPAN

Istilah "perkakas listrik" dalam peringatan ini merujuk pada perkakas listrik yang beroperasi dengan daya listrik (berkabel) atau perkakas listrik yang beroperasi dengan daya baterai (nirkabel).

1) KESELAMATAN AREA KERJA

- Pastikan agar area kerja selalu bersih dan mendapatkan pencahayaan yang cukup.** Area yang berantakan atau gelap berpotensi mengakibatkan kecelakaan.
- Jangan operasikan alat listrik di lingkungan yang dapat meledak, misalnya jika terdapat cairan, gas, atau debu yang mudah terbakar.** Perkakas listrik menimbulkan percikan api yang dapat menyulut debu atau uap.
- Jauhkan anak-anak dan orang-orang di sekitar Anda saat mengoperasikan**

perkakas listrik. Gangguan dapat menyebabkan Anda kehilangan kendali.

2) KESELAMATAN LISTRIK

- a) **Steker perkakas listrik harus sesuai dengan stopkontak. Jangan pernah memodifikasi steker dengan cara apa pun. Jangan gunakan steker adaptor apa pun dengan perkakas listrik yang dibumikan (grounded).** Steker yang tidak dimodifikasi dan stopkontak yang sesuai akan mengurangi risiko sengatan listrik.
- b) **Jagalah agar badan Anda tidak bersentuhan dengan permukaan yang dibumikan, seperti pipa, radiator, kompor, dan kulkas.** Risiko sengatan listrik dapat bertambah jika tubuh Anda bersentuhan dengan permukaan yang dibumikan.
- c) **Jangan sampai perkakas listrik ini terkena hujan atau terpapar pada kondisi yang basah.** Air yang masuk ke perkakas listrik akan meningkatkan risiko sengatan listrik.
- d) **Jangan menyalahgunakan kabel. Jangan sekali-kali menggunakan kabel untuk membawa, menarik atau mencabut perkakas listrik. Jauhkan kabel dari panas, minyak, tepi tajam atau komponen yang bergerak.** Kabel yang rusak atau terbelit akan meningkatkan risiko sengatan listrik.
- e) **Bila mengoperasikan perkakas listrik di luar ruangan, gunakan kabel ekstensi yang sesuai untuk penggunaan di luar ruangan.** Menggunakan kabel yang sesuai untuk penggunaan di luar ruangan akan mengurangi risiko sengatan listrik.
- f) **Jika penggunaan perkakas listrik di lokasi yang lembap tidak dapat dihindari, gunakan arus yang terlindungi oleh peranti arus residual (RCD).** Penggunaan RCD akan mengurangi risiko sengatan listrik.

3) KESELAMATAN DIRI

- a) **Tetaplah waspada, perhatikan apa yang Anda tengah kerjakan dan gunakan akal sehat saat mengoperasikan perkakas listrik. Jangan mengoperasikan perkakas listrik bila Anda sedang lelah, atau berada di bawah pengaruh obat, alkohol, atau pengobatan.** Kelengahan sesaat saja saat mengoperasikan perkakas listrik dapat mengakibatkan cedera diri serius.
- b) **Gunakan peralatan pelindung diri. Selalu kenakan alat pelindung mata.** Peralatan

pelindung, seperti masker debu, sepatu keselamatan antiselip, helm proyek, atau pelindung telinga yang digunakan untuk kondisi yang sesuai akan mengurangi risiko cedera diri.

- c) **Hindari menyalakan perkakas tanpa disengaja. Pastikan bahwa sakelar sudah dalam posisi mati sebelum menghubungkannya ke sumber listrik dan/atau kemasan baterai, mengambil, atau membawa perkakas.** Membawa perkakas listrik dengan jari Anda masih menempel pada sakelar atau menghidupkan perkakas listrik yang sakelarnya masih menyala akan berpotensi mengakibatkan kecelakaan.
- d) **Lepaskan segala jenis kunci penyesuaian atau kunci pas sebelum menyalakan alat listrik.** Kunci pas atau kunci yang dibiarkan terpasang pada komponen perkakas listrik yang berputar dapat mengakibatkan cedera diri.
- e) **Jangan melampaui batas. Selalu jaga pijakan dan keseimbangan yang baik.** Hal ini memungkinkan Anda untuk mengendalikan perkakas listrik secara lebih baik dalam situasi yang tidak terduga.
- f) **Kenakan pakaian yang sesuai. Jangan mengenakan pakaian longgar atau perhiasan. Jauhkan rambut, pakaian dan sarung tangan dari komponen yang bergerak.** Pakaian yang longgar, perhiasan atau rambut panjang dapat tersangkut pada komponen yang bergerak.
- g) **Jika disediakan perangkat untuk sambungan fasilitas pengeluaran dan pengumpulan debu, pastikan perangkat ini dihubungkan dan digunakan dengan sesuai.** Penggunaan perangkat pengumpul debu dapat mengurangi bahaya yang ditimbulkan oleh debu.

4) PENGGUNAAN DAN PERAWATAN PERKAKAS LISTRIK

- a) **Jangan menggunakan perkakas listrik dengan paksa. Gunakan perkakas listrik yang benar untuk aplikasi Anda.** Perkakas listrik yang tepat akan bekerja lebih baik dan aman pada tingkat kelajuan yang telah dirancang untuk perkakas itu.
- b) **Jangan gunakan alat listrik jika tidak dapat dihidupkan dan dimatikan dengan tombol.** Perkakas listrik apa pun yang tidak dapat dikendalikan dengan tombol adalah berbahaya dan harus diperbaiki.
- c) **Lepaskan stop kontak dari sumber listrik**

dan/atau kemasan baterai dari perkakas listrik sebelum melakukan penyetelan apa pun, mengganti aksesori, atau menyimpan perkakas listrik. Tindakan pencegahan untuk keselamatan seperti itu akan mengurangi risiko menyalakan perkakas listrik secara tidak disengaja.

- d) **Simpan alat listrik yang tidak digunakan jauh dari jangkauan anak-anak dan jangan biarkan perkakas listrik ini dioperasikan oleh mereka yang tidak memahami alat listrik atau semua petunjuk yang ada di sini.** Perkakas listrik bisa berbahaya bila digunakan oleh pengguna yang tidak terlatih.
- e) **Rawatlah perkakas listrik Anda. Lakukan pemeriksaan untuk mengetahui apakah ada komponen bergerak yang tidak sejajar atau bengkok, komponen yang patah, dan kondisi lainnya yang dapat mempengaruhi pengoperasian perkakas listrik. Jika rusak, perbaiki perkakas listrik sebelum digunakan.** Banyak terjadi kecelakaan akibat perkakas listrik yang tidak terawat baik.
- f) **Pastikan agar alat pemotong tetap tajam dan bersih.** Alat pemotong yang terawat baik dengan mata potong yang tajam akan kecil kemungkinannya untuk macet serta lebih mudah untuk dikendalikan.
- g) **Gunakan perkakas listrik, aksesori, komponen perkakas, dsb. sesuai petunjuk ini, dengan memperhatikan kondisi kerja dan pekerjaan yang akan dilakukan.** Penggunaan alat listrik untuk pengoperasian yang tidak sesuai dengan tujuan penggunaan dapat mengakibatkan situasi yang berbahaya.

5) SERVIS

- a) **Pastikan perkakas listrik Anda diservis oleh teknisi berkualifikasi dan hanya menggunakan komponen pengganti yang persis sama.** Hal ini akan membuat keamanan perkakas listrik selalu terjaga.

PERATURAN KESELAMATAN KHUSUS TAMBAHAN

Petunjuk Keselamatan untuk Semua Operasi

- a) **Perkakas listrik ini ditujukan untuk penggunaan sebagai alat gerinda, ampelas, sikat kawat, pemoles, atau pemotong. Baca**

semua peringatan keamanan, instruksi, ilustrasi, dan spesifikasi yang disertakan bersama perkakas listrik ini. Kegagalan mengikuti seluruh instruksi yang tercantum di bawah ini dapat mengakibatkan sengatan listrik, kebakaran, dan/atau cedera berat.

- b) **Operasi seperti pengampelasan, penyikatan atau pemolesan kabel tidak disarankan untuk dilakukan dengan perkakas listrik ini.** Operasi yang tidak dirancang untuk perkakas listrik tersebut dapat mendatangkan bahaya atau menyebabkan cedera serius.
- c) **Jangan gunakan aksesori yang tidak dirancang khusus dan disarankan oleh pabrik pembuat perkakas.** Hanya karena aksesori dapat dihubungkan pada perkakas listrik Anda, tidak menjamin pengoperasian yang aman.
- d) **Nilai kecepatan aksesori harus minimal setara dengan kecepatan maksimum yang tertera pada perkakas listrik.** Aksesori yang bekerja lebih cepat dari nilai kecepatannya dapat jebol dan hancur berantakan.
- e) **Diameter luar dan ketebalan aksesori Anda harus tidak melebihi nilai kapasitas perkakas listrik.** Aksesori yang ukurannya tidak sesuai tidak dapat dijaja atau dikendalikan dengan baik.
- f) **Ukuran panjang roda-roda, pinggiran roda, bantalan penahan, atau aksesori lainnya harus pas betul dengan kumparan perkakas listrik.** Aksesori dengan lubang punjung yang tidak sesuai dengan perangkat keras pasang pada perkakas listrik akan kehilangan keseimbangan, bergetar hebat, dan mengakibatkan lepas kendali.
- g) **Jangan gunakan aksesori yang rusak. Setiap kali sebelum penggunaan, periksa aksesori, ada/tidaknya serpihan dan rengat pada roda ampelas, ada/tidaknya rengat, sobekan, atau aus berlebihan pada bantalan penahan, serta ada/tidaknya bulu-bulu sikat yang lepas atau rengat pada sikat kawat. Jika perkakas listrik atau aksesori jatuh, periksa ada/tidaknya kerusakan, atau pasang aksesori yang tidak rusak. Setelah memeriksa dan memasang aksesori, posisikan diri Anda dan orang di sekeliling menjauhi bidang aksesori yang berputar, dan jalankan perkakas listrik pada kecepatan tanpa-beban maksimum selama satu menit. Aksesori yang rusak biasanya akan jebol melalui ujian ini.**

- h) **Kenakan peralatan pelindung diri. Tergantung pada aplikasi, gunakan topeng pelindung, kacamata kedap, atau kacamata pengaman. Bilamana perlu, gunakan masker debu, pelindung telinga, sarung tangan, dan apron bengkel yang dapat menghindarkan dari pecahan material atau serpihan ampelas.** Pelindung mata harus mampu mencegah masuknya serpih-serpih yang beterbangan dalam berbagai pengoperasian. Masker debu atau pelindung pernafasan harus mampu menyaring partikel-partikel yang ditimbulkan oleh operasi. Paparan berkepanjangan terhadap kebisingan tingkat tinggi dapat menimbulkan ketulian.
- i) **Pastikan orang-orang lain berada pada jarak aman dari area kerja. Siapa pun yang memasuki area kerja harus mengenakan peralatan pelindung diri.** Pecahan material atau aksesoris yang rusak dapat melayang dan mengakibatkan cedera di luar area operasi.
- j) **Pegang perkakas listrik pada permukaan pegangan berpenyekat saat melakukan pengoperasian di mana aksesoris pemotong dapat bersentuhan dengan kabel tersembunyi atau kabelnya sendiri.** Aksesoris pemotong yang bersentuhan dengan kabel bertegangan listrik dapat mengalirkan arus listrik pada komponen logam dari perkakas listrik dan menyebabkan sengatan listrik pada pengguna.
- k) **Posisikan kabel jauh dari aksesoris yang berputar.** Jika Anda kehilangan kendali, kabel dapat terpotong atau robek, dan tangan atau lengan Anda dapat tersedot masuk ke dalam aksesoris yang berputar.
- l) **Jangan pernah meletakkan perkakas listrik sampai aksesoris sudah berhenti total.** Aksesoris yang berputar dapat tersangkut pada permukaan material dan menarik perkakas listrik lepas dari kendali Anda.
- m) **Jangan menjalankan perkakas listrik saat membawanya di sisi tubuh Anda.** Kontak tak disengaja dengan aksesoris yang berputar dapat merobek pakaian Anda dan menarik aksesoris masuk dalam tubuh Anda.
- n) **Bersihkan lubang ventilasi perkakas listrik secara teratur.** Kipas motor menyedot debu masuk ke dalam perkakas, dan penumpukan serbuk logam yang berlebihan dapat mengakibatkan bahaya listrik.
- o) **Jangan jalankan perkakas listrik dekat**

bahan yang mudah terbakar. Percikan api dapat membakar bahan tersebut.

- p) **Jangan gunakan aksesoris yang membutuhkan cairan pendingin.**

Penggunaan air atau cairan pendingin lainnya dapat menimbulkan sengatan listrik atau shock.

PETUNJUK KESELAMATAN LANJUT UNTUK SEMUA OPERASI

Penyebab dan Pencegahan Operator terhadap Reaksi Balik

Reaksi balik adalah reaksi mendadak yang terjadi pada roda berputar, bantalan penahan, sikat, atau aksesoris lainnya bila terjepit atau robek. Kondisi terjepit atau robek mengakibatkan penahanan aksesoris yang berputar dengan cepat, yang akhirnya memaksa perkakas listrik yang tak terkendali berputar ke arah berkebalikan dengan putaran aksesoris pada ikatannya.

Contoh: jika roda ampelas terobek atau terjepit pada material kerja, maka ujung roda yang masuk ke dalam jepitan itu dapat menghunjam ke dalam permukaan material kerja dan mengakibatkan roda keluar atau lepas. Roda dapat melayang ke arah operator atau arah seberangnya, tergantung pada arah gerakan roda pada saat terjepit. Roda ampelas juga dapat jebol dalam keadaan semacam ini.

Reaksi balik merupakan dampak dari penyalahgunaan perkakas listrik dan/atau prosedur atau kondisi pengoperasian yang salah, dan dapat dihindari dengan jalan mengikuti langkah-langkah pencegahan di bawah ini:

- a) **Pegang perkakas listrik erat-erat dan posisikan tubuh dan lengan untuk memungkinkan Anda menahan daya reaksi balik. Selalu gunakan gagang pelengkap, jika tersedia, untuk pengendalian maksimum atas reaksi balik atau reaksi kopel pada saat mulai bekerja.** Operator dapat mengendalikan reaksi kopel atau daya reaksi balik jika sudah mengambil langkah pencegahan sebelumnya.
- b) **Jangan pernah letakkan tangan Anda dekat aksesoris yang berputar.** Aksesoris dapat bereaksi balik mengenai tangan Anda.
- c) **Jangan posisikan tubuh pada area**

yang dapat terkena perkakas listrik seandainya terjadi reaksi balik. Reaksi balik akan melayangkan perkakas ke arah berseberangan dengan gerakan roda pada titik perobekan.

- d) **Berhati-hatilah saat mengerjakan sudut, ujung-ujung tajam, dsb. Hindari pemantulan dan perobekan aksesoris.** Sudut, ujung tajam, atau pemantulan cenderung merobek aksesoris yang berputar dan mengakibatkan hilangnya kendali atau reaksi balik.
- e) **Jangan memasang pisau ukir gergaji mesin atau pisau gergaji bergerigi.** Pisau-pisau semacam ini seringkali mengakibatkan reaksi balik dan hilangnya kendali.

Peringatan Keselamatan Khusus untuk Operasi Penggerindaan dan Pemotongan Abrasif

- a) **Hanya gunakan jenis-jenis roda yang disarankan untuk perkakas listrik Anda dan pelindung khusus yang dirancang untuk roda tersebut.** Roda-roda yang tidak dirancang untuk perkakas listrik tidak dapat terlindung dengan benar dan tidak aman.
- b) **Pelindung harus terpasang dengan aman pada perkakas listrik dan diposisikan demi keselamatan maksimum, sehingga hanya sedikit saja bagian roda yang terbuka ke arah operator.** Pelindung membantu melindungi operator dari pecahan roda yang rusak dan kontak tak disengaja dengan roda.
- c) **Roda harus digunakan hanya untuk aplikasi yang disarankan. Contoh: jangan menggerinda dengan sisi roda pemotong.** Roda pemotong abrasif ditujukan untuk penggerindaan mendatar, penggunaan menyamping pada roda-roda ini dapat membuatnya pecah.
- d) **Selalu gunakan pinggir roda yang tak bercacat, yang ukuran dan bentuknya sesuai dengan roda yang Anda pilih.** Pinggir roda yang tepat berfungsi menahan roda, dengan demikian mengurangi kemungkinan rusaknya roda. Pinggir roda untuk roda-roda pemotong bisa jadi berbeda dari pinggir roda penggerinda.
- e) **Jangan gunakan roda-roda aus dari perkakas listrik yang lebih besar.** Roda-roda yang ditujukan bagi perkakas listrik yang lebih besar tidak cocok dengan kecepatan

perkakas kecil yang lebih tinggi, sehingga dapat hancur.

Peringatan Keselamatan Tambahan Khusus untuk Operasi Pemotongan Abrasif

- a) **Jangan "paksa" roda pemotong atau gunakan tekanan yang berlebihan. Jangan berusaha membuat potongan yang terlalu dalam.** Tekanan yang berlebihan pada roda meningkatkan muatan dan kerentanan terjadinya pembelitan atau terkatnya roda dalam potongan dan memungkinkan reaksi balik atau kerusakan roda.
- b) **Jangan posisikan tubuh sejajar dengan dan di belakang roda yang berputar.** Bilamana roda bergerak menjauhi tubuh Anda pada saat dioperasikan, kemungkinan reaksi balik dapat melayangkan roda yang berputar dan perkakas listrik langsung mengenai Anda.
- c) **Ketika roda sedang bekerja atau ingin menghentikan pemotongan untuk alasan apa pun, matikan perkakas listrik dan pegang perkakas listrik tanpa bergerak sampai roda sepenuhnya berhenti. Jangan pernah melepaskan roda pemotong dari potongan selagi roda masih bergerak, jika tidak, reaksi balik dapat timbul.** Periksa dan ambil tindakan koreksi untuk menyelesaikan penyebab terbelitnya roda.
- d) **Jangan menyalakan kembali operasi pemotongan dalam material kerja. Tunggu sampai roda mencapai kecepatan penuh lebih dulu sebelum memasukkannya kembali dengan hati-hati pada potongan.** Roda dapat terbelit, macet, atau bereaksi balik jika perkakas listrik dinyalakan kembali dalam material kerja.
- e) **Topang panel atau material kerja apa pun yang berukuran terlalu besar untuk mengurangi risiko terkejutnya roda dan reaksi balik.** Material kerja yang besar cenderung melorot karena bobotnya sendiri. Penopang harus ditempatkan di bawah material kerja, dekat garis potongan, dan dekat pinggir material kerja pada kedua sisi roda.
- f) **Harap ekstra hati-hati saat membuat "potongan berongga" pada tembok atau area tak terlihat lainnya.** Roda yang menonjol dapat memotong pipa gas atau air, kabel listrik, atau benda-benda lain yang

dapat mengakibatkan reaksi balik.

Peringatan Keselamatan Khusus untuk Operasi Pengampelasan

- a) **Jangan gunakan kertas cakram ampelas yang terlalu besar. Ikuti saran pabrik bila memilih kertas ampelas.** Kertas ampelas besar yang melebihi bantalan ampelas menimbulkan bahaya terpotong dan dapat mengakibatkan robek atau rusaknya cakram, atau reaksi balik.

Peringatan Keselamatan Khusus untuk Operasi Pemolesan

- a) **Jangan biarkan bagian pita pemoles yang terurai atau tali-tali pengikatnya berputar bebas. Lipat atau gunting rapi tali pengikat yang terurai.** Tali pengikat yang terlepas dan berputar dapat membelit jari-jari Anda atau merobek material kerja.

Peringatan Keselamatan Khusus untuk Operasi Penyikatan Besi

- a) **Sadari bahwa sikat juga membuang bulu-bulu kawat dalam operasi biasa. Jangan terlalu menekan bulu-bulu kawat dengan jalan memberi muatan berlebihan pada sikat.** Bulu-bulu kawat dapat dengan mudah menembus pakaian tipis dan/atau kulit.
- b) **Jika penggunaan pengaman disarankan untuk sikat kawat, jangan biarkan roda atau sikat kawat bersentuhan dengan pengaman.** Diameter roda atau sikat kawat dapat bertambah karena beban kerja dan daya sentrifugal.

Aturan Keselamatan Tambahan untuk Gerinda

- Cara-pasang aksesoris bergalur harus cocok dengan galur kumparan gerinda. Untuk aksesoris yang dipasang dengan pinggiran roda, lubang punjung aksesoris harus pas dengan diameter penempatan pada pinggiran roda. Aksesoris yang tidak sesuai dengan perangkat keras pasang pada perkakas listrik akan kehilangan keseimbangan, bergetar hebat, dan mengakibatkan lepas kendali.
- Permukaan penggerinda dari roda-roda tertekan

pusat harus dipasang di bawah bidang tepi pelindung. Roda yang dipasang kurang tepat dan menyembul melewati bidang tepi pelindung tidak dapat dilindungi dengan memadai.

- **Jangan gunakan roda Tipe 11 (mangkuk melebar) pada perkakas ini.** Penggunaan aksesoris yang tidak tepat dapat mengakibatkan cedera.
- **Selalu gunakan gagang samping. Eratkan gagang dengan aman.** Gagang samping harus selalu digunakan untuk menjaga kendali perkakas tiap waktu.

Risiko-risiko lain

Sekalipun peraturan keselamatan terkait sudah diterapkan dan peralatan pengaman sudah digunakan, risiko-risiko lain tertentu tidak dapat dihindari.

Antara lain:

- Kerusakan indera pendengaran.
- Risiko cedera pribadi karena partikel-partikel yang beterbangan.
- Risiko luka bakar karena aksesoris menjadi panas selama operasi.
- Risiko cedera pribadi karena penggunaan berkepanjangan.
- Risiko debu dari zat-zat berbahaya.

Tanda pada Perkakas

Gambar-gambar berikut ini tertera pada perkakas:



Baca buku petunjuk sebelum penggunaan.



Gunakan pelindung mata.

POSISI KODE TANGGAL (GBR. 1)

Kode tanggal (p), yang juga mencantumkan tahun pembuatan, tercetak pada wadah perkakas.

Contoh:

2012 XX XX
Tahun Produksi

Konten Kemasan

Kemasan memuat:

- 1 Gerinda sudut
- 1 Pelindung
- 1 Pegangan samping

- 1 Set pinggiran roda
- 1 Kunci L(DWE821 OS)
- 1 Kunci Inggris (DWE8200S, DWE8200T, DWE8200PL)
- 1 Buku petunjuk
- Periksa kemungkinan adanya kerusakan pada perkakas, komponen, atau aksesoris yang bisa jadi terjadi selama transportasi.
- Ambil waktu untuk membaca seluruh isi buku petunjuk ini dan memahaminya sebelum pengoperasian.

bila perkakas ini digunakan oleh operator yang belum berpengalaman.

- Produk ini tidak ditujukan untuk penggunaan oleh orang (termasuk anak-anak) yang menderita kekurangan kemampuan fisik, sensorik, atau mental; kurang pengalaman, pengetahuan, atau keahlian, kecuali apabila mereka diawasi oleh orang yang bertanggung jawab atas keselamatan mereka. Jangan pernah meninggalkan anak-anak sendirian dengan produk ini.

Keselamatan Listrik

Motor listrik dirancang hanya untuk satu voltase. Selalu periksa apakah catu daya sesuai dengan nilai tegangan yang tercantum pada papan nilai.



Peralatan ini berisolasi ganda; sehingga kabel arde (ground) tidak diperlukan. Selalu periksa apakah catu daya sesuai dengan nilai tegangan yang tercantum pada papan nilai.

Bila kabel suplai rusak, harus diganti dengan kabel khusus yang disediakan oleh organisasi layanan DEWALT.

Menggunakan Kabel Tambahan

Jika kabel sambungan diperlukan, gunakan kabel sambungan 3 inti yang disetujui dan sesuai untuk masukan daya perkakas ini (lihat **Data Teknis**). Ukuran konduktor minimum adalah 1,5 mm²; panjang maksimum adalah 30 m.

Bila menggunakan gulungan kabel, selalu kendurkan kabel sepenuhnya.

PERAKITAN DAN PENYESUAIAN



PERINGATAN: Untuk mengurangi risiko cedera pribadi yang berat, matikan perkakas dan lepaskan dari sumber listrik sebelum melakukan penyesuaian apa pun atau melepaskan/memasang pelengkap atau aksesoris. Sebelum menghubungkan kembali perkakas, tekan dan lepas sakelar pemacu untuk memastikan bahwa perkakas sudah mati.

Penjelasan (gambar 1)



PERINGATAN: *Jangan pernah memodifikasi perkakas listrik atau komponennya. Ini dapat mengakibatkan kerusakan atau cedera pribadi.*

- a Tombol pengunci kumparan
- b Kumparan
- c Gagang samping
- d Pinggiran roda penopang
- e Mur apitan bergalur
- f Pelindung
- g Sakelar penggeser(DWE8200S & DWE8210S)
- g1 Sakelar pelat(DWE8200T)
- g2 Tombol Pengunci(DWE8200PL & DWE8210PL)
- g3 Sakelar tombol(DWE8200PL & DWE8210PL)

TUJUAN PENGGUNAAN

Gerinda sudut kecil DWE8200S, DWE8200T, DWE8200PL, DWE8210S, DWE8210PL untuk pekerjaan berat dirancang untuk aplikasi penggerindaan, pengampelasan, penyikatan kawat, pemolekan, dan pemotongan profesional.

JANGAN gunakan roda penggerinda lain, selain roda-roda tertekan pusat dan cakram kelopak.

JANGAN menggunakan perkakas dalam kondisi basah atau di dekat cairan atau gas yang mudah terbakar.

Gerinda sudut untuk pekerjaan berat ini merupakan perkakas listrik profesional.

JANGAN biarkan anak-anak bersentuhan dengan perkakas ini. Dibutuhkan pengawasan

Memasang Gagang Samping (gbr. 1)



PERINGATAN: Sebelum menggunakan perkakas, periksa bahwa gagang sudah diratikan dengan aman.

Sekrupkan gagang samping (c) sampai erat pada salah satu lubang pada salah satu sisi kotak persneling. Gagang samping harus selalu digunakan untuk menjaga kendali perkakas tiap waktu.

Aksesori dan Pelengkap

Penting bagi Anda untuk memilih pelindung, bantalan penahan, dan pinggiran roda yang tepat untuk digunakan bersama aksesori gerinda. Lihat bagan pada akhir bagian ini untuk informasi seputar memilih aksesori yang tepat.

Catatan: Penggerindaan dan pemotongan tepian dapat dikerjakan dengan roda Tipe 27 yang dirancang dan ditentukan untuk tujuan ini.



PERINGATAN: Aksesori harus dinilai setidak-tidaknya untuk kecepatan yang direkomendasikan pada label peringatan perkakas. Roda dan aksesori lain yang dijalankan melebihi nilai kecepatan aksesori dapat jebol dan mengakibatkan cedera. Aksesori bergalur harus memiliki nap M10 (untuk DWE8200T, DWE8200S, DWE8200PL) atau nap M14 (untuk DWE8210S, DWE8210PL). Setiap aksesori tak bergalur harus memiliki lubang punjung 22mm. Jika tidak, mungkin aksesori tersebut dirancang untuk gergaji bundar, dan tidak boleh digunakan. Hanya gunakan aksesori yang ditunjukkan dalam bagan pada akhir bagian ini. Rating aksesori harus melebihi kecepatan roda minimum yang terdaftar, sebagaimana dicantumkan pada pelat nama perkakas.

Pelindung pemasangan (gbr. 2)

PERINGATAN: Untuk mengurangi risiko cedera pribadi yang berat, matikan perkakas dan lepaskan dari sumber listrik sebelum melakukan penyesuaian apa pun atau melepaskan/memasang pelengkap atau aksesori. Sebelum menghubungkan kembali perkakas, tekan dan lepas sakelar pemicu untuk memastikan bahwa perkakas sudah mati.



WASPADA: Pelindung harus digunakan bersama gerinda ini.

Saat menggunakan gerinda DWE8200S atau DWE8200T atau DWE8200PL atau DWE8210S atau DWE8210PL untuk pemotongan logam atau batu, pelindung Tipe 1 WAJIB digunakan. Pelindung Tipe 1 disediakan oleh distributor DEWALT dengan biaya tambahan.

CATATAN: Harap rujuk **Bagan Aksesori Penggerindaan dan Pemotongan** pada akhir bagian ini untuk menemukan berbagai aksesori lain yang dapat digunakan bersama gerinda ini.

PELINDUNG PEMASANGAN TERTUTUP (TIPE 1) ATAU STANDAR (TIPE 27)



WASPADA: Matikan dan cabut perkakas sebelum melakukan penyetulan atau melepas atau memasang alat atau aksesori. Sebelum menghubungkan kembali perkakas, tekan sakelar menyala dan mati untuk memastikan bahwa perkakas sudah mati.

Roda-roda dengan nap dipasang langsung pada kumparan (DWE8200T, DWE8200S, DWE8200PL), M14 (DWE8210S, DWE8210PL). Aksesori bergalur harus cocok dengan galur kumparan.

1. Buka sekrup, sampai pengungkit pelindung (k) dapat berputar bebas dalam alur (j) pada nap wadah persneling.
2. Putar pelindung (1) ke posisi kerja yang diinginkan. Badan pelindung harus diposisikan di antara kumparan dan operator, untuk memungkinkan perlindungan maksimum bagi operator.
3. Eratkan sekrup untuk mengamankan pelindung pada penutup wadah persneling. (Kencangkan kopel tak lebih dari 2,5 N-M). Anda harusnya tidak dapat memutar pelindung dengan tangan. Jangan operasikan gerinda dengan pelindung yang longgar.
4. Untuk melepas pelindung, longgarkan sekrup dan angkat pelindung.



WASPADA: Kegagalan untuk memasang roda dengan tepat sebelum menjalankan perkakas dapat menimbulkan kerusakan pada perkakas atau roda.

Memasang dan Melepas Cakram Gerinda atau Cakram Pemotong (gbr. 1,4,5)



PERINGATAN: Jangan gunakan cakram yang rusak.

1. Tempatkan perkakas di atas meja, dengan pelindung terpasang.
2. Pasang pinggiran roda penopang (d) dengan tepat pada kumparan (b) (fig. 4).
3. Pasang cakram (n) pada pinggiran roda penopang (d). Saat memasang cakram dengan bagian tengah yang timbul, pastikan bahwa bagian tengah yang timbul tersebut (l) menghadap ke pinggiran roda penopang (d).
4. Sekrupkan mur apitan bergalur (e) ke kumparan (b) (gbr. 5):
 - a. Cincin pada mur apitan bergalur (e) harus menghadap ke cakram saat memasang cakram penggerinda (gbr. 5A);
 - b. Cincin pada mur apitan bergalur (e) harus bertolak belakang dengan cakram saat memasang cakram pemotong (gbr. 5B).
5. Tekan tombol pengunci kumparan (a) dan putar kumparan (b) sampai terkunci di tempatnya.
6. Kencangkan mur apitan bergalur (e) dengan kunci Inggris atau kunci L yang disediakan
7. Lepaskan kunci kumparan.
8. Untuk melepas cakram, longgarkan mur apitan bergalur (e) dengan kunci Inggris atau kunci L yang disediakan.

CATATAN: Penggerindaan dan pemotongan tepian dapat dilakukan dengan roda Tipe 27 yang dirancang dan ditentukan untuk tujuan ini; roda berketebalan 6 mm dirancang untuk penggerindaan permukaan, sedangkan roda 3 mm dirancang untuk penggerindaan tepian. Pemotongan juga dapat dilakukan dengan menggunakan roda Tipe 1 dan pelindung Tipe 1. Diameter yang direkomendasikan untuk cakram penggerindaan atau pemotong untuk perkakas ini adalah 100 mm (DWE8200S, DWE8200T, DWE8200PL) atau 125 mm (DWE8210S, DWE8210PL).

Memasang Sikat Kawat dan Roda Kawat

Sikat mangkuk kawat atau roda kawat disekrupkan langsung pada kumparan gerinda tanpa menggunakan pinggiran roda. Hanya gunakan sikat atau roda

kawat yang disediakan dengan nap bergalur M10 (DWE8200S & DWE8200T & DWE8200PL) atau M14 (DWE8210S, DWE8210PL). Pelindung Tipe 27 wajib dipasang saat menggunakan sikat dan roda kawat.



WASPADA: Gunakan sarung tangan kerja saat menangani sikat dan roda kawat. Aksesori ini bisa menajam.



WASPADA: Roda atau sikat tidak boleh bersentuhan dengan pelindung saat dipasang atau ketika digunakan. Kerusakan tak terdeteksi dapat timbul pada aksesori, membuat kawat terurai dari roda atau mangkuk aksesori.

1. Galurkan roda pada kumparan dengan tangan.
2. Tekan tombol pengunci kumparan dan gunakan kunci Inggris pada nap roda atau sikat kawat untuk mengencangkan roda.
3. Untuk melepas roda, balikkan prosedur di atas.

PEMBERITAHUAN: Kegagalan untuk memasang nap roda dengan tepat sebelum menjalankan perkakas dapat menimbulkan kerusakan pada perkakas atau roda.

Diameter yang direkomendasikan untuk Sikat Kawat dan Roda Kawat untuk perkakas ini adalah 100 MM (DWE8200S, DWE8200T, DWE8200PL) atau 125MM (DWE8210S, DWE8210PL).

Memasang dan Melepas Bantalan Penopang/Kertas Ampelas

1. Letakkan perkakas di atas meja atau permukaan datar, dengan pelindung menghadap ke atas.
2. Lepaskan pinggiran roda penopang (d).
3. Tempatkan bantalan penopang karet dengan benar pada kumparan (b).
4. Pasang kertas ampelas pada bantalan penopang karet.
5. Sekrupkan mur apitan bergalur (e) pada kumparan. Cincin pada mur apitan bergalur harus menghadap bantalan penopang karet.
6. Tekan tombol pengunci kumparan (a) dan putar kumparan (b) sampai terkunci di tempatnya.
7. Kencangkan mur apitan bergalur (e) dengan kunci L yang disediakan atau perentang baut-ganda.
8. Lepaskan kunci kumparan.

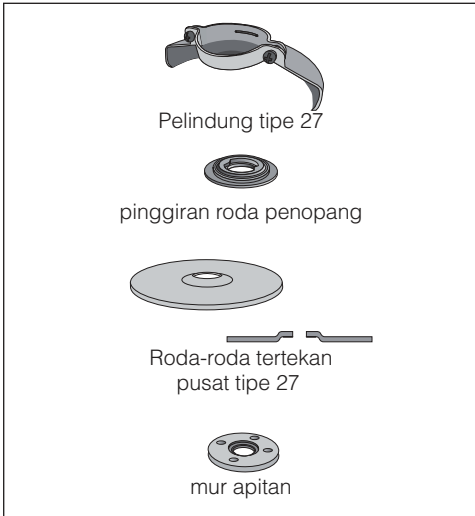
9. Untuk melepas bantalan penopang karet, longgarkan mur apitan bergalur (e) dengan kunci L yang disediakan atau perentang baut-ganda.

Diameter yang direkomendasikan untuk bantalan penopang/kertas ampelas untuk perkakas ini adalah 100 mm (DWE8200S, DWE8200T, DWE8200PL) atau 125 mm (DWE8210S, DWE8210PL).

Memasang Sikat Mangkuk Kawat

Sekrupkan sikat mangkuk kawat langsung pada kumparan tanpa menggunakan pengatur jarak dan pinggirannya bergalur.

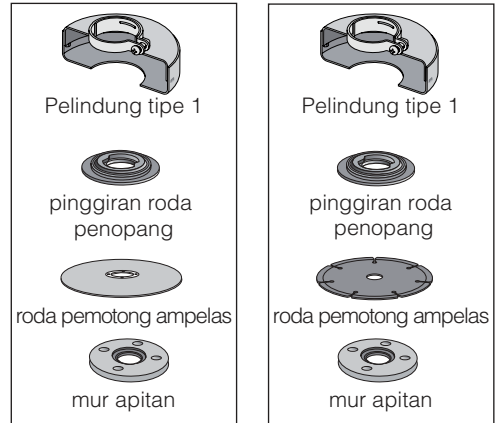
Roda Penggerinda 100 mm



Roda Kawat



Roda Pemotong 100 mm



Cakram Kelopak Ampelas 100 mm



Sebelum Memulai Operasi

- Pasang pelindung dan cakram atau roda yang sesuai. Jangan gunakan cakram atau roda yang sudah terlalu aus.
- Pastikan pinggirannya roda sebelah dalam dan luar sudah terpasang betul.
- Pastikan cakram atau roda berputar searah dengan tanda panah pada aksesori dan perkakas.

PENGOPERASIAN

Petunjuk Penggunaan



PERINGATAN: Selalu perhatikan petunjuk keselamatan dan peraturan yang berlaku.



PERINGATAN: Untuk mengurangi risiko cedera pribadi yang berat, matikan perkakas dan lepaskan dari sumber listrik sebelum melakukan penyesuaian apa pun atau melepaskan/memasang pelengkap atau aksesori. Sebelum menghubungkan kembali perkakas, tekan dan lepas sakelar pemacu untuk memastikan bahwa perkakas sudah mati.



PERINGATAN:

- Pastikan semua material yang dibumikan atau dipotong sudah diamankan pada tempatnya.
- Amankan dan topang material kerja. Gunakan apitan atau peranti untuk menahan dan menopang material kerja pada landasan yang stabil. Penting untuk menjepit dan menopang material kerja dengan aman untuk mencegah material kerja bergerak dan terjadi hilang kendali. Pergerakan material kerja atau hilangnya kendali dapat menimbulkan bahaya dan mengakibatkan cedera pribadi.
- Hanya gunakan tekanan ringan pada perkakas. Jangan beri tekanan samping berlebihan pada cakram.
- Hindari beban berlebihan. Seandainya perkakas menjadi panas, biarkan perkakas beroperasi beberapa menit dalam kondisi tanpa-beban.

Posisi Tangan yang Benar (gbr. 6)



PERINGATAN: Untuk mengurangi risiko cedera pribadi yang berat, SELALU gunakan posisi tangan yang tepat sesuai petunjuk gambar.



PERINGATAN: Untuk mengurangi risiko cedera pribadi yang berat, SELALU pegang dengan erat untuk mengantisipasi reaksi mendadak.

Posisi tangan yang benar mengharuskan Anda memegang gagang samping dengan satu tangan (gambar 1), sementara tangan yang lain memegang badan perkakas, seperti pada gambar 6.

Sakelar



WASPADA: Pegang erat badan perkakas untuk mempertahankan kendali atas perkakas pada saat menyalakan dan menggunakannya, dan sampai roda atau aksesorinya berhenti berputar. Pastikan roda sudah berhenti sepenuhnya sebelum meletakkan perkakas.

CATATAN: Untuk mengurangi risiko pergerakan perkakas di luar dugaan, jangan nyalakan atau matikan sakelar dalam kondisi dibebani. Biarkan gerinda bekerja sampai mencapai kecepatan penuh sebelum menyentuhkannya pada permukaan material kerja. Angkat perkakas dari permukaan material sebelum mematikannya. Tunggu sampai perkakas berhenti berputar sebelum meletakkannya.

SAKELAR PENGGESER DWE8200S & DWE8210S (GBR. 3)



PERINGATAN: Sebelum menghubungkan perkakas ke catu daya, pastikan bahwa sakelar penggeser sudah dalam posisi mati, dengan cara menekan sisi belakang sakelar dan melepas. Pastikan sakelar penggeser sudah dalam posisi mati sebagaimana dijelaskan di atas setelah terjadi gangguan pasokan listrik pada perkakas, misalnya aktivasi pemutusan arus bumi, pemutusan sirkuit, kabel tercabut tanpa sengaja, atau listrik mati. Jika sakelar penggeser terkunci menyala saat listrik terhubung, perkakas akan menyala di luar dugaan.

Untuk menyalakan perkakas, geser sakelar penggeser (g) ke arah depan perkakas. Untuk menghentikan perkakas, lepas sakelar penggeser.

Untuk operasi berkelanjutan, geser sakelar ke arah depan perkakas, lalu tekan bagian depan sakelar ke dalam. Untuk menghentikan perkakas selagi beroperasi dalam mode berkelanjutan, tekan bagian belakang sakelar penggeser, lalu lepaskan.

SAKELAR PELAT DWE8200T (GBR. 3)



PERINGATAN: Sebelum menggunakan perkakas, periksa bahwa gagang sudah diartikan dengan aman.

Untuk menyalakan perkakas, angkat tombol (g1) ke Posisi "1" untuk mematkan perkakas, Tekan Tombol sakelar pelat (g1) ke posisi "0".



PERINGATAN: Jangan menyalakan atau mematkan perkakas saat dibebani.

SAKELAR TOMBOL DWE8200PL & DWE8210PL (GBR.3)

Untuk menyalakan perkakas, tekan sakelar pengunci (g2), lalu tekan sakelar tombol (g3).

Untuk menghentikan perkakas, lepaskan tekanan pada sakelar tombol (g3).

Kunci Kumparan (gbr. 1)

Kunci kumparan (a) disediakan untuk mencegah kumparan berputar pada saat memasang atau melepas roda. Operasikan kunci kumparan hanya bila perkakas dalam posisi mati, tercabut dari catu daya, dan sudah berhenti sepenuhnya.

PEMBERITAHUAN: Untuk mengurangi risiko kerusakan terhadap perkakas, jangan gunakan kunci kumparan saat perkakas sedang dioperasikan. Ini dapat menimbulkan kerusakan pada perkakas, dan aksesoris yang terpasang bisa berputar lepas serta mengakibatkan cedera.

Untuk menggunakan kunci, tekan tombol kunci kumparan dan putar kumparan sampai Anda tak dapat memutarkannya lagi.

Aplikasi Logam

Saat menggunakan perkakas dalam aplikasi logam, pastikan bahwa peranti arus listrik residual (RCD) sudah dipasang untuk menghindari risiko residual yang ditimbulkan oleh serpihan logam.

Jika catu daya terputus karena RCD, bawa perkakas ke agen reparasi DEWALT resmi.



PERINGATAN: Dalam kondisi ekstrem, debu konduktif dapat menumpuk dalam wadah mesin saat Anda mengerjakan material logam. Ini dapat mengakibatkan sekat pelindung dalam mesin menjadi aus dan menimbulkan risiko potensial sengatan listrik.

Untuk menghindari penumpukan serpihan logam dalam mesin, kami menyarankan agar Anda membersihkan lubang-lubang ventilasi setiap hari. Baca **Perawatan**.

Menggunakan Cakram Kelopak



PERINGATAN: Penumpukan debu logam. Penggunaan cakram kelopak terus menerus dalam aplikasi logam dapat menimbulkan peningkatan potensi sengatan listrik. Untuk mengurangi risiko ini, pasang RCD sebelum menggunakan perkakas dan bersihkan lubang-lubang ventilasi setiap hari dengan cara meniupkan angin kempaan ke dalam lubang-lubang ventilasi sesuai dengan petunjuk pemeliharaan berikut ini.

PEMELIHARAAN

Perkakas listrik DEWALT telah dirancang untuk penggunaan jangka panjang dengan pemeliharaan minimal. Kelanjutan hasil pengoperasian yang memuaskan tergantung pada pemeliharaan alat yang benar serta pembersihan yang teratur.



PERINGATAN: Untuk mengurangi risiko cedera pribadi yang berat, matikan perkakas dan lepaskan dari sumber listrik sebelum melakukan penyesuaian apa pun atau melepaskan/memasang pelengkap atau aksesoris. Sebelum menghubungkan kembali perkakas, tekan dan lepas sakelar pemacu untuk memastikan bahwa perkakas sudah mati.

Sikat Rusak

Motor akan berhenti otomatis, menandakan bahwa sikat karbon sudah hampir aus sama sekali dan perkakas butuh diservis. Sikat karbon tidak dapat diperbaiki sendiri oleh pengguna. Bawalah perkakas ke agen reparasi DEWALT resmi.



Pelumas

Perkakas listrik Anda tidak membutuhkan pelumas tambahan.



Pembersihan



PERINGATAN: Semprot ke luar kotoran dan debu pada bodi utama dengan udara kering sesering mungkin saat kotoran terlihat mengendap di

dalam dan di sekitar ventilasi udara. Gunakan pelindung mata yang sesuai dan masker debu yang sesuai bilamana mengerjakan prosedur ini.



PERINGATAN: Jangan gunakan pelarut atau bahan kimia keras lainnya untuk membersihkan bagian alat yang tidak terbuat dari logam. Zat-zat kimia tersebut dapat merapuhkan material komponen-komponen ini. Gunakan kain yang dilembapkan dengan air dan sabun lembut. Jangan sampai bagian dalam perkakas kemasukan air; jangan pernah rendam komponen perkakas dalam cairan.

DEWALT menyediakan fasilitas pengumpulan dan pendaurulangan produk-produk DEWALT setelah masa pakainya habis. Untuk memanfaatkan layanan ini, harap kembalikan produk Anda kepada agen reparasi resmi yang akan mengumpulkannya bagi kami.

Anda dapat menemukan lokasi agen reparasi resmi terdekat dengan Anda dengan menghubungi kantor DEWALT setempat di alamat yang tercantum pada buku petunjuk ini. Alternatif lainnya, Anda dapat melihat daftar agen reparasi DEWALT resmi dan keterangan lengkap layanan purna jual serta kontak kami yang tersedia di Internet, di: www.2helpU.com.

Aksesori Opsional



PERINGATAN: Berhubung aksesori-aksesori lain, di luar yang disediakan oleh DEWALT, belum pernah diuji coba menggunakan produk ini, maka penggunaan aksesori semacam itu dengan perkakas ini dapat berbahaya. Untuk mengurangi risiko cedera, gunakan hanya aksesori DEWALT yang disarankan dengan produk ini.

Tanyakan pada dealer Anda untuk informasi selengkapnya seputar aksesori yang sesuai.

Melindungi Lingkungan



Pengumpulan terpisah. Produk ini tidak boleh dibuang bersama limbah rumah tangga biasa.

Seandainya suatu hari Anda menjumpai produk DEWALT Anda butuh diganti, atau tidak lagi berguna bagi Anda, jangan buang bersama limbah rumah tangga. Pisahkan pengumpulan produk ini.



Pengumpulan produk dan kemasan bekas secara terpisah memungkinkan material untuk didaur ulang dan digunakan lagi. Penggunaan kembali bahan yang didaur ulang akan membantu mencegah pencemaran lingkungan serta mengurangi kebutuhan akan bahan baku.

Undang-undang setempat mungkin memfasilitasi pengumpulan produk-produk elektrik terpisah dari sampah rumah tangga, di tempat pembuangan sampah kota atau oleh pedagang ritel pada saat Anda membeli produk baru

เครื่องเจียร

PWE8200T, DWE8200S, DWE8200PL, DWE8210S, DWE8210PL

ขอแสดงความยินดี!

คุณได้เลือกใช้เครื่องมือของ DeWALT ด้วยประสบการณ์ที่ยาวนาน ตลอดจนการพัฒนาผลิตภัณฑ์และนวัตกรรมใหม่ๆ ทำให้ DeWALT เป็นหนึ่งในเครื่องมือไฟฟ้าที่นำเชื่อถือที่สุดสำหรับกลุ่มผู้ใช้เครื่องมือไฟฟ้าระดับมืออาชีพ

ข้อมูลด้านเทคนิค

		DWE8200T	DWE8200S	DWE8200PL	DWE8210S	DWE8210PL
แรงดันไฟฟ้า	V	220-240	220-240	220-240	220-240	220-240
ชนิด		1	1	1	1	1
กำลังไฟเข้า	วัตต์	850	850	850	850	850
ความเร็วขณะไม่มีภาระโหลด/ตามพิกัด	/นาที	12000	12000	12000	12000	12000
เส้นผ่าศูนย์กลางของแผ่นเจียร	มม.	100	100	100	125	125
เส้นผ่าศูนย์กลางของแกนหมุน		M10	M10	M10	M14	M14
รูปแบบสวิตช์		เปิด/ปิด	เลื่อน	แผง	เลื่อน	แผง
น้ำหนัก	กก.	1.75*	1.75*	1.75*	1.95*	1.95*

* น้ำหนักขณะไม่มีด้ามจับด้านข้าง และชุดสายไฟพร้อมสาย และมีตัวครอบป้องกันและหน้าแปลน

คำจำกัดความ: ข้อแนะนำด้านความปลอดภัย

คำจำกัดความด้านล่างอธิบายถึงระดับความรุนแรงของคำแต่ละคำที่ใช้เรียกสัญลักษณ์ต่างๆ โปรดอ่านคู่มือและใส่ใจกับสัญลักษณ์เหล่านี้



อันตราย: หมายถึงสถานการณ์ที่ก่อให้เกิดอันตรายได้อย่างฉับพลัน ซึ่งหากไม่ระวัง จะทำให้เสียชีวิตหรือบาดเจ็บสาหัสได้



คำเตือน: หมายถึงสถานการณ์ที่มีแนวโน้มว่าจะก่อให้เกิดอันตราย ซึ่งถ้าไม่ระวัง สามารถทำให้เสียชีวิตหรือบาดเจ็บสาหัสได้



ข้อควรระวัง: หมายถึงสถานการณ์ที่มีแนวโน้มว่าจะก่อให้เกิดอันตราย ซึ่งถ้าไม่ระวัง อาจทำให้ได้รับบาดเจ็บเล็กน้อยหรือปานกลาง

ข้อสังเกต: หมายถึงการปฏิบัติที่ไม่เกี่ยวข้องกับการบาดเจ็บ ซึ่งถ้าไม่ระวัง อาจทำให้ทรัพย์สินหรือชุดเสียหายได้



แสดงถึงอันตรายจากการถูกไฟฟ้าดูด



แสดงถึงอันตรายจากการเกิดเพลิงไหม้



คำเตือน: เพื่อลดความเสี่ยงจากการบาดเจ็บ โปรดอ่านคู่มือการใช้งานเล่มนี้

คำเตือนเพื่อความปลอดภัยทั่วไปสำหรับการใช้เครื่องมือไฟฟ้า



คำเตือน โปรดอ่านคำเตือนและข้อปฏิบัติเพื่อความปลอดภัยทั้งหมด การไม่ปฏิบัติตาม คำเตือนและคำแนะนำอาจทำให้ถูกไฟดูด เกิดเพลิงไหม้ และ/หรือการบาดเจ็บสาหัส

จัดเก็บเอกสารคำเตือนและคำแนะนำทั้งหมดไว้เพื่อการอ้างอิงในภายหลัง

คำว่า "เครื่องมือไฟฟ้า" ในคำเตือน หมายถึงเครื่องมือไฟฟ้าที่ทำงานผ่านสายเมน (มีสาย) หรือแบตเตอรี่ (ไม่มีสาย)

1) ความปลอดภัยในบริเวณที่ทำงาน

- รักษาความสะอาดและจัดให้มีแสงสว่างเพียงพอในบริเวณที่ทำงาน บริเวณที่คับแคบ หรือมีท่าให้เกิดอุบัติเหตุได้
- ห้ามใช้เครื่องมือไฟฟ้าในบริเวณที่อาจเกิดการระเบิด เช่น เมื่อมีของเหลวไวไฟ แก๊ส หรือฝุ่นละออง เครื่องมือไฟฟ้าจะทำให้เกิดประกายไฟที่อาจทำให้เกิดละอองไฟหรือเปลวไฟขึ้นได้
- ระวังไม่ให้เด็กเล็กและคนเดินผ่านไปมาเข้าใกล้ในขณะที่ใช้งานเครื่องมือไฟฟ้า สิ่งรบกวนอาจทำให้คุณเสียสมาธิได้

2) ความปลอดภัยทางไฟฟ้า

- ปลั๊กไฟของเครื่องต้องเป็นชนิดเดียวกับเต้ารับ ห้าม

- ตัดแปลงปลั๊กไม่ว่าด้วยวิธีใด ห้ามใช้ปลั๊กอะแดปเตอร์ใด ๆ กับเครื่องมือไฟฟ้าที่ต่อสายดิน (ลงกราวด์) ปลั๊กที่ไม่มีกราดตัดแปลงและตัวรับชนิดเดียวกันจะช่วยลดความเสี่ยงจากการถูกไฟดูด
- ข) หลีกเลี่ยงการสัมผัสพื้นผิวที่ต่อสายดิน เช่น ท่อ หม้อน้ำ เตาหุงต้ม และตู้เย็น มีความเสี่ยงเพิ่มขึ้นที่จะถูกไฟดูด หากร่างกายเป็นสื่อเชื่อมต่อกับดิน
 - ค) อย่าให้เครื่องมือไฟฟ้าถูกฝนหรือเปียกน้ำ น้ำที่เข้าเครื่องมือไฟฟ้าจะทำให้มีความเสี่ยงในการถูกไฟดูดเพิ่มขึ้น
 - ง) ระมัดระวังให้สายไฟชำรุด ห้ามใช้สายไฟเพื่อการหิ้ว ดึง หรือถอดปลั๊กเครื่องมือไฟฟ้า เก็บสายไฟให้พ้นจากความร้อน น้ำมัน ของมีคม หรือ ชิ้นส่วนที่กำลังเคลื่อนที่ สายไฟที่ชำรุดหรือพันกันเป็นการเพิ่มความเสี่ยงจากการถูกไฟดูด
 - จ) เมื่อใช้เครื่องมือไฟฟ้ากลางแจ้ง ให้ใช้สายพ่วงที่เหมาะสมสำหรับการใช้งานกลางแจ้ง การใช้สายไฟที่เหมาะสมสำหรับการใช้งานนอกอาคารจะช่วยลดความเสี่ยงในการถูกไฟดูด
 - ฉ) ไม่สามารถหลีกเลี่ยงการใช้เครื่องมือไฟฟ้าในบริเวณที่ชื้นและได้ ให้ใช้อุปกรณ์ป้องกันไฟฟ้าสะสม (RCD) ที่จัดให้ การใช้ RCD จะเป็นการลดความเสี่ยงจากการถูกไฟดูด
- 3) ความปลอดภัยส่วนบุคคล
- ก) ดินตัวและสัมผัสกับสิ่งที่คุณกำลังทำ รวมทั้งใช้สามัญสำนึกในขณะที่กำลังใช้งานเครื่องมือไฟฟ้า ห้ามใช้เครื่องมือไฟฟ้าในขณะที่คุณกำลังเหนื่อยหรือได้รับอิทธิพลจากยา แอลกอฮอล์ หรือการรักษาบางอย่าง การขาดความระมัดระวังในการใช้เครื่องมือไฟฟ้าแม้ชั่วขณะหนึ่งอาจทำให้บาดเจ็บสาหัสได้
 - ข) ใช้อุปกรณ์ป้องกันส่วนบุคคล สวมอุปกรณ์ป้องกันดวงตาเสมอ อุปกรณ์ป้องกัน เช่น หน้ากากกันฝุ่น รองเท้ากันภัยกันลื่น หมวกกันน็อกหรืออุปกรณ์ป้องกันเสียงดังสำหรับสภาพที่เหมาะสมจะช่วยลดอาการบาดเจ็บส่วนบุคคล
 - ค) ป้องกันการสแตร์ที่เครื่องโดยไม่ได้ตั้งใจ สวิตช์ต้องอยู่ในตำแหน่งปิดก่อนที่จะเสียบปลั๊กของเครื่องเข้ากับแหล่งจ่ายไฟ และ/หรือแบตเตอรี่ หรือก่อนยกหรือหัวเครื่องมือ การยกเครื่องมือไฟฟ้าในขณะที่นิ้วอยู่ที่สวิตช์ หรือใช้เครื่องมือไฟฟ้าที่สวิตช์เปิดอยู่ อาจทำให้เกิดอุบัติเหตุได้
 - ง) ถอดกฏญแจปรับแต่งหรือประแจออกก่อนเปิดสวิตช์เครื่องมือไฟฟ้า ประแจหรือกฏญแจที่เสียบค้างอยู่ในชิ้นส่วนที่หมุนได้ของเครื่องมือไฟฟ้าอาจทำให้ได้รับบาดเจ็บได้
 - จ) ห้ามยืนเขย่งเท้าขณะใช้เครื่อง ขณะใช้เครื่องมือควรวินให้มั่นคงและมีความสมดุลตลอดเวลา เพื่อช่วยในการควบคุมเครื่องมือไฟฟ้าได้ดียิ่งขึ้นในสถานการณ์ที่ไม่คาดคิด
 - ฉ) แต่งกายให้เหมาะสม ห้ามสวมเสื้อผ้าหลวมหรือใส่เครื่องประดับ รวบผม ชายเสื้อ และถุงมือให้ห่างจากชิ้นส่วนที่กำลังหมุน เสื้อผ้าที่หลวมหรือยาวร่วมๆ เครื่องประดับ หรือผมที่ยาวอาจเข้าไปพันกับชิ้นส่วนที่กำลังหมุน
 - ช) หากมีอุปกรณ์สำหรับเก็บฝุ่นและรวบรวมเศษไม้ ต้องเชื่อมต่อกับอุปกรณ์เหล่านี้และนำมาใช้งานอย่างเหมาะสม การใช้อุปกรณ์เก็บฝุ่นจะช่วยลดอันตรายที่เกี่ยวข้องกับฝุ่นได้
- 4) การใช้และการดูแลรักษาเครื่องมือไฟฟ้า
- ก) ห้ามฝืนใช้เครื่องมือไฟฟ้า เลือกใช้เครื่องมือไฟฟ้าที่ถูกต้องตรงกับลักษณะการใช้งานของคุณ เครื่องมือไฟฟ้าที่ถูกต้องย่อมทำงานได้ดีกว่าและปลอดภัยกว่า ในอัตราที่เครื่องมือได้รับการออกแบบมา
 - ข) ห้ามใช้เครื่องมือไฟฟ้าถ้าสวิตช์เปิดปิดเครื่องไม่ทำงาน เครื่องมือไฟฟ้าที่ไม่สามารถควบคุมผ่านสวิตช์ได้ ถือว่ามีอันตรายและต้องส่งซ่อม
 - ค) ถอดปลั๊กของเครื่องมือไฟฟ้าออกจากแหล่งจ่ายไฟ และ/หรือ แบตเตอรี่ก่อนทำการปรับแต่งเปลี่ยนอุปกรณ์เสริม หรือจัดเก็บ มาตรการเพื่อความปลอดภัยเชิงการป้องกันนี้จะช่วยลดความเสี่ยงในการเผลอเปิดเครื่องให้ทำงานโดยไม่ตั้งใจ
 - ง) เก็บเครื่องมือไฟฟ้าที่พร้อมใช้งานไว้ให้พ้นมือเด็ก และเฝ้าระวังบุตรหลานที่ไม่คุ้นเคยกับเครื่องมือไฟฟ้าหรือคำแนะนำเหล่านี้เป็นผู้ใช้เครื่องมือ เครื่องมือไฟฟ้าจะเป็นอันตรายหากอยู่ในมือผู้ใช้ที่ไม่มีความชำนาญ
 - จ) บำรุงรักษาเครื่องมือไฟฟ้า ตรวจสอบการวางตำแหน่งหรือการต่อชิ้นส่วนที่เคลื่อนที่ จุดเชื่อมต่อ ชิ้นส่วนและสภาพอื่น ๆ ที่อาจส่งผลกระทบต่อการทำงานของเครื่องมือไฟฟ้า หากชำรุดเสียหาย ให้นำเครื่องมือไปส่งซ่อมก่อนนำมาใช้ อุบัติเหตุจำนวนมากเกิดจากการดูแลรักษาเครื่องมือไฟฟ้าไม่ดีพอ
 - ฉ) เครื่องมือตัดต้องคมและสะอาดอยู่เสมอ เครื่องมือตัดที่ได้รับการดูแลรักษาอย่างถูกต้อง และมีขอบตัดคม จะมีปัญหาหิดตเล็กน้อย และควบคุมได้ง่ายกว่า
 - ช) ใช้เครื่องมือไฟฟ้า อุปกรณ์เสริมและชุดอุปกรณ์ต่าง ๆ ให้สอดคล้องกับคำแนะนำเหล่านี้ โดยพิจารณาถึงสภาพการทำงานและงานที่ทำเป็นสำคัญ การใช้เครื่องมือไฟฟ้าทำงานอื่นนอกเหนือจากที่กำหนดไว้ อาจทำให้เกิดอันตรายได้
- 5) การบริการ
- ก) ให้ช่างซ่อมที่มีความเชี่ยวชาญเป็นผู้ซ่อมเครื่องมือและใช้อะไหล่แท้เท่านั้น ซึ่งจะช่วยรับประกันได้ว่าเครื่องมือไฟฟ้ายังมีความปลอดภัยอยู่

กฎความปลอดภัยเพิ่มเติมเฉพาะเครื่องมือ ข้อปฏิบัติเพื่อความปลอดภัยสำหรับการใช้งาน ทุกประเภท

- ก) เครื่องมือไฟฟ้าที่มีวัตถุประสงค์เพื่อการใช้งานเช่นเดียวกับเครื่องเจียร เครื่องตัดกระดาษทราย แปรง ลวด เครื่องขัดเงา หรือเครื่องมือตัด อื่นๆ ห้ามใช้ข้อปฏิบัติเพื่อความปลอดภัยทั้งหมด ภาพประกอบ และข้อมูลเฉพาะที่ให้ออกมาเกี่ยวกับเครื่องมือไฟฟ้านี้ การไม่ปฏิบัติตามคำแนะนำข้อปฏิบัติเหล่านี้จะทำให้เกิดไฟฟ้าช็อต เกิดอัคคีภัย และ/หรือบาดเจ็บสาหัสได้
- ข) ห้ามใช้อุปกรณ์เสริมซึ่งไม่ได้รับการออกแบบมาโดยเฉพาะ หรือไม่ได้รับการแนะนำจากผู้ผลิตเครื่องมือ การที่อุปกรณ์เสริมสามารถต่อเข้ากับเครื่องมือไฟฟ้าของคุณได้นั้น ไม่ได้รับประกันว่าอุปกรณ์เสริมนั้นจะทำงานอย่างปลอดภัย
- ค) ความเร็วตามพิกัดของอุปกรณ์เสริมจะต้องเท่ากับความเร็วสูงสุดที่กำกับไว้บนเครื่องมือไฟฟ้าเป็นอย่างน้อย อุปกรณ์เสริมที่ต้องทำงานด้วยความเร็วที่เร็วกว่าความเร็วตามพิกัดของอุปกรณ์นั้นอาจแตกหักและกระเด็นหลุดออกได้
- ง) เส้นผ่าศูนย์กลางภายนอกและความหนาของอุปกรณ์เสริมของคุณต้องอยู่ภายในพิกัดความสามารถของเครื่องมือไฟฟ้า อุปกรณ์เสริมที่มีขนาดไม่ถูกต้องไม่สามารถให้การป้องกันหรือควบคุมได้เพียงพอ
- จ) ขนาดรอยยึดของแผ่นเจียร หน้าแปลน แผ่นรองหลังหรืออุปกรณ์เสริมอื่นใดต้องเข้ากันได้พอดีกับแกนหมุนของเครื่องมือไฟฟ้า อุปกรณ์เสริมที่มีขนาดของรูไม่ตรงกับส่วนติดตั้งของเครื่องมือไฟฟ้าจะทำให้เกิดความสมดุลเมื่อการสั่นผิดปกติ และอาจทำให้สูญเสียการควบคุมได้
- ฉ) ห้ามใช้อุปกรณ์เสริมที่ชำรุดเสียหาย ก่อนการใช้งานทุกครั้ง ให้ตรวจสอบอุปกรณ์เสริม เช่น แผ่นขัด เพื่อหาเศษวัสดุและรอยร้าว ตรวจสอบแผ่นรองเพื่อหารอยร้าว การฉีกขาดหรือการสึกหรอที่มากเกินไป ตรวจสอบแปรงลวดเพื่อหาการหลวมหรือเส้นลวดที่แตกหัก ถ้าเครื่องมือไฟฟ้าหรืออุปกรณ์เสริมตกหล่น ให้ตรวจหาการชำรุดเสียหายหรือติดตั้งอุปกรณ์เสริมที่ไม่ชำรุด หลังจากการตรวจสอบและติดตั้งอุปกรณ์เสริมแล้ว ตัวคุณและผู้ที่อยู่ใกล้เคียงต้องออกห่างจากแนวระนาบของอุปกรณ์เสริมที่กำลังหมุน และเปิดเครื่องมือไฟฟ้าที่ความเร็วสูงสุดโดยไม่มีภาระโหลดเป็นเวลาหนึ่งนาที โดยปกติอุปกรณ์เสริมที่ชำรุดจะแตกออกในระหว่างช่วงเวลาการทดสอบนี้
- ช) สวมอุปกรณ์ป้องกันส่วนบุคคล ใช้หน้ากากป้องกัน แว่นตาหรือแว่นตาป้องกันหรืออุปกรณ์ป้องกันตาอื่น ๆ โดยขึ้นอยู่กับการทำงาน ให้สวมหน้ากากป้องกันฝุ่น อุปกรณ์ป้องกันเสียงดัง ถุงมือ และผ้ากันเปื้อนหากมีความร้อนที่สามารถป้องกันเศษทรายขัดหรือเศษชิ้นส่วนของชิ้นงาน

- ได้ โดยขึ้นอยู่กับความเหมาะสมในการใช้งาน อุปกรณ์ป้องกันดวงตาต้องสามารถกันเศษชิ้นงานที่ปลิวออกมาที่เกิดขึ้นจากการทำงานประเภทต่างๆ หน้ากากกันฝุ่นหรือหน้ากากป้องกันต้องสามารถกรองฝุ่นที่เกิดขึ้นจากการทำงานของคุณได้ การอยู่ใกล้เสียงดังมากๆ เป็นเวลานานอาจทำให้สูญเสียความสามารถในการได้ยิน
- ข) กันผู้ที่อยู่ใกล้เคียงให้ออกห่างจากบริเวณพื้นที่ทำงานในขณะที่ยังเปิดอยู่ ผู้ที่เข้ามาในพื้นที่ทำงานจะต้องสวมใส่อุปกรณ์ป้องกันส่วนบุคคล เศษชิ้นส่วนของชิ้นงานหรือของอุปกรณ์เสริมอาจหลุดกระเด็นออกมา และอาจทำให้ได้รับบาดเจ็บในระลอกเกินกว่าพื้นที่ทำงานโดยตรง
- ฅ) จับเครื่องมือไฟฟ้าที่พื้นผิวส่วนที่ใช้บังคับซึ่งมีฉนวนป้องกันเท่านั้น เมื่อทำงานประเภทใดก็ตามที่ใช้อุปกรณ์เสริมที่ใช้กับงานตัดอาจสัมผัสกับสายไฟที่ซ่อนอยู่หรือสายไฟของตัวเครื่องเอง อุปกรณ์เสริมสำหรับงานตัดที่สัมผัสสายไฟที่ "มีไฟฟ้า" อาจทำให้ส่วนที่เป็นโลหะที่ถูกสัมผัสของเครื่องมือไฟฟ้า "มีไฟฟ้า" และทำให้ผู้ใช้เครื่องมือถูกไฟดูดได้
- ฉ) วางสายไฟให้ห่างจากอุปกรณ์เสริมที่กำลังหมุน หากสูญเสียการควบคุม สายไฟอาจถูกตัดหรือตีตขั้ว และอาจดึงมือหรือแขนของคุณเข้าไปหาอุปกรณ์เสริมที่กำลังหมุนอยู่
- ค) อย่าวางเครื่องมือไฟฟ้าจนกว่าอุปกรณ์เสริมจะหยุดหมุนแล้ว อุปกรณ์เสริมที่กำลังหมุนอยู่อาจจับยึดพื้นผิวไว้และดึงเครื่องมือไฟฟ้าออกจากการควบคุมของคุณ
- ฅ) ไม่ควรเปิดใช้เครื่องมือไฟฟ้าขณะที่ยังถือเครื่องมือไว้ใกล้ตัว การสัมผัสกับอุปกรณ์เสริมที่กำลังหมุนโดยไม่ตั้งใจอาจทำให้เสื้อผ้าของคุณถูกเกี่ยวและดึงอุปกรณ์เสริมเข้ามาใกล้ตัว
- ฉ) ทำความสะอาดช่องระบายอากาศของเครื่องมือไฟฟ้าเป็นประจำ พัดลมของมอเตอร์จะดูดฝุ่นละอองเข้าไปในตัวเรือนและการสะสมของผงโลหะมากเกินไปอาจทำให้เกิดอันตรายทางไฟฟ้าได้
- ช) ไม่ควรใช้เครื่องมือไฟฟ้าใกล้วัสดุติดไฟ ประกายไฟอาจทำให้วัสดุเหล่านี้ติดไฟได้
- ฅ) ไม่ควรใช้อุปกรณ์เสริมที่ต้องเติมสารหล่อลื่นที่เป็นของเหลว การใช้น้ำหรือของเหลวอื่นในการหล่อลื่นอาจทำให้ไฟฟ้าดูดหรือช็อตจนถึงแก่ความตายได้

คำแนะนำด้านความปลอดภัยเพิ่มเติมสำหรับการใช้งานทุกประเภท

สาเหตุและการป้องกันผู้ใช้เครื่องจากการติดกลับ การติดกลับคือปฏิกิริยาที่เกิดขึ้นแบบทันทีทันใดต่อแผ่นเจียรที่กำลังหมุน แผ่นรอง แปรง หรืออุปกรณ์เสริมอื่นๆ ที่ถูกหนีบหรือตีตขั้ว การหนีบหรือการตีตขั้วจะทำให้อุปกรณ์เสริมที่กำลังหมุนหยุดอย่างรวดเร็ว ซึ่งจะทำให้เครื่องมือไฟฟ้าที่ไม่มี

การควบคุมถูกดึงไปในทิศทางที่ตรงกันข้ามกับการหมุนของอุปกรณ์เสริมในจุดที่ติดขัด

ตัวอย่างเช่น ถ้าแผ่นขัดติดขัดหรือถูกหนีบโดยชิ้นงาน ของของแผ่นขัดที่กำลังเข้าไปสู่จุดหนีบอาจดันเข้าไปสู่พื้นผิวของวัสดุซึ่งจะทำให้แผ่นขัดป็นออกหรือหลุดออก แผ่นขัดอาจกระเด็นไปหาหรือกระเด็นออกจากผู้ปฏิบัติงาน ทั้งนี้ขึ้นอยู่กับทิศทาง การเคลื่อนที่ของแผ่นขัดในจุดที่ถูกหนีบ แผ่นขัดยังอาจแตกหักภายใต้สภาวะเหล่านี้อีกด้วย

การติดกลับเป็นผลมาจากการใช้งานเครื่องมืออย่างไม่ถูกวิธี และ/หรือขั้นตอนหรือสภาวะการใช้งานที่ไม่ถูกต้อง และสามารถหลีกเลี่ยงได้ด้วยการใช้มาตรการป้องกันที่เหมาะสมเพื่อให้ได้ผลลัพธ์นี้

- ก) จับยึดเครื่องมือไฟฟ้าให้แน่นตลอดเวลา และวางตำแหน่งตัวและแขนเพื่อให้สามารถต้านแรงติดกลับได้ ให้ใช้มือจับเสริมด้วยเสมอหากมีให้มา เพื่อให้สามารถควบคุมการติดกลับหรือผลจากแรงบิดได้อย่างเต็มที่ในระหว่างเริ่มเปิดเครื่อง ผู้ปฏิบัติงานสามารถควบคุมปฏิกิริยาของแรงบิดหรือแรงติดกลับได้ ถ้านำมาตราการที่เหมาะสมมาใช้
- ข) ห้ามนำมือเข้าไปใกล้อุปกรณ์เสริมที่กำลังหมุนอยู่ อุปกรณ์เสริมอาจติดใส่ไม่ได้
- ค) อย่าให้ร่างกายของคุณอยู่ในบริเวณที่เครื่องมือไฟฟ้าจะเคลื่อนที่ไปได้ถ้ามีการติดกลับเกิดขึ้น และตั้งสะท้อนกลับจะทำให้เครื่องมือเหวี่ยงกลับในทิศทางตรงกันข้ามกับการหมุนของแผ่นขัด ณ ตำแหน่งที่ติดขัด
- ง) ใช้ความระมัดระวังเป็นพิเศษขณะทำงานที่มุมหรือขอบที่คม ฯลฯ หลีกเลี่ยงการทำให้อุปกรณ์เสริมกระดอนไปมาหรือติดขัด มุมต่างๆ ขอบที่คมหรือการกระดอนไปมาเมื่อโน้มที่จะทำให้อุปกรณ์เสริมที่กำลังหมุนอยู่ติดขัด และทำให้สูญเสียการควบคุมหรือเกิดการติดกลับ
- จ) ไม่ควรตีไปเรื่อยไม่แบบโย้เสียหรือโย้เสียแบบมีฟัน โย้เสียดังกล่าวจะทำให้เกิดการติดกลับบ่อยครั้งและสูญเสียการควบคุม

คำเตือนเพื่อความปลอดภัยสำหรับการเจียรและ การตัดแบบขัดโดยเฉพาะ

- ก) ใช้แผ่นขัดชนิดที่แนะนำสำหรับเครื่องมือไฟฟ้าของคุณและอุปกรณ์ป้องกันที่ออกแบบมาสำหรับแผ่นเจียรที่เลือกโดยเฉพาะ แผ่นขัดที่ไม่ได้ออกแบบมาให้เข้ากับเครื่องมือไฟฟ้าจะไม่ได้รับการป้องกันอย่างเพียงพอและไม่ปลอดภัย
- ข) ตัวครอบป้องกันต้องได้รับการติดตั้งเข้ากับเครื่องมือไฟฟ้าอย่างแน่นหนาและอยู่ในตำแหน่งที่มีความปลอดภัยสูงสุด เพื่อให้มีส่วนของแผ่นขัดที่หันเข้าหาผู้ทำงานได้น้อยที่สุด ตัวครอบป้องกันนี้จะช่วยปกป้องผู้ทำงานจากชิ้นส่วนของแผ่นขัดที่แตกหักและการสัมผัสโดนร่างกายของผู้ทำงานโดยไม่ตั้งใจ
- ค) ต้องใช้แผ่นขัดสำหรับการใช้งานที่แนะนำเท่านั้น

ตัวอย่างเช่น: ห้ามใช้ด้านข้างของแผ่นตัดกับงานเจียร แผ่นขัดแบบตัดมีวัตถุประสงค์เพื่อการเจียรแนวด้านข้าง แรงดันข้างที่กระทำกับงานเหล่านี้อาจทำให้แผ่นแตกออกได้

- ง) ใช้หน้าแปลนแผ่นขัดที่ไม่ชำรุดเสียหาย และเลือกขนาดและรูปร่างที่ถูกต้องเหมาะสมกับแผ่นขัดที่คุณเลือกใช้ หน้าแปลนแผ่นขัดที่เหมาะสมจะช่วยรองรับแผ่นขัดไว้ ดังนั้นจึงลดการแตกหักของแผ่นขัดที่อาจเกิดขึ้นได้ หน้าแปลนสำหรับแผ่นตัดอาจแตกต่างจากหน้าแปลนสำหรับแผ่นเจียร
- จ) ห้ามใช้แผ่นเก่าที่สึกมาจากเครื่องมือไฟฟ้าที่มีขนาดใหญ่กว่า งานที่มีไว้สำหรับเครื่องมือไฟฟ้าขนาดใหญ่ไม่สามารถใช้กับเครื่องมือที่มีความเร็วสูงกว่าหรือเครื่องมือที่เล็กกว่า และอาจแตกหักได้

คำเตือนเพื่อความปลอดภัยสำหรับการตัดแบบขัด โดยเฉพาะ

- ก) ห้ามทำให้แผ่นตัดเกิดการ "ติดขัด" หรือใช้แรงกดมากเกินไป อย่าพยายามตัดลึกมากเกินไป การทำให้แผ่นตัดมีความเครียดมากเกินไปจะเพิ่มภาวะโศกและ ความไวต่อการบิดตัวหรือการติดขัดของแผ่นตัดในการตัด และมีความเป็นไปได้ที่จะเกิดการติดกลับหรือการแตกหักของแผ่นตัด
- ข) อย่าให้ร่างกายของคุณอยู่ด้านหลังหรืออยู่ในแนวเดียวกับแผ่นตัดที่กำลังหมุน เมื่อแผ่นตัดเคลื่อนที่ออกจากตัวคุณ (ในจุดที่มีการใช้งาน) การติดกลับที่เกิดขึ้นอาจดันแผ่นตัดที่กำลังหมุนอยู่และเครื่องมือไฟฟ้าเข้าหาตัวคุณโดยตรง
- ค) เมื่อแผ่นตัดติดหรือเมื่อการตัดหยุดชะงักลงด้วยเหตุผลใด ๆ ก็ตาม ให้ปิดสวิทช์เครื่องมือไฟฟ้าและจับเครื่องมือไฟฟ้าไว้กับที่จนกระทั่งแผ่นหยุดหมุน ห้ามเลื่อนแผ่นตัดออกจากรอยตัดขณะที่แผ่นตัดกำลังหมุนอยู่ มิฉะนั้นอาจทำให้เกิดแรงดีสะท่อนกลับได้ ตรวจสอบและทำการแก้ไขเพื่อขจัดสาเหตุของแผ่นที่ติดขัด
- ง) อย่าเพิ่งเริ่มการตัดชิ้นงาน ปล่อยให้แผ่นหมุนถึงความเร็วเต็มที่ก่อน แล้วค่อย ๆ เริ่มตัดอีกครั้ง อย่างระมัดระวัง หากเครื่องมือถูกเปิดสวิตช์ขณะที่ค้างอยู่ในชิ้นงาน อาจทำให้แผ่นตัดติดขัด กระโดดไปข้างหน้า หรือเกิดแรงดีสะท่อนกลับได้
- จ) รองรับแผงปิดหรือชิ้นงานที่มีขนาดใหญ่ที่ถือลดความเสี่ยงที่แผ่นจะถูกหนีบและติดกลับ ชิ้นงานที่มีขนาดใหญ่มีแนวโน้มที่จะย้อยลงเนื่องจากน้ำหนักของตัวชิ้นงานเอง สิ่งที่มาหนุนต่องวงไว้ใต้ชิ้นงานใกล้แนวตัดและใกล้ขอบของชิ้นงานบริเวณทั้งสองด้านของแผ่นตัด
- ฉ) ต้องใช้ความระมัดระวังเป็นพิเศษสำหรับการ "ตัดแบบเจาะช่อง" เข้าไปในผนังหรือพื้นที่ยื่นออกมา หรือวัสดุต่าง ๆ ที่อาจทำให้เกิดการติดกลับ

คำเตือนเพื่อความปลอดภัยสำหรับการขัดกระดาษทรายโดยเฉพาะ

- ก) ห้ามใช้แผ่นกระดาษทรายกลมที่มีขนาดใหญ่เกินไป เมื่อจะเลือกกระดาษทราย ให้ทำตามคำแนะนำของผู้ผลิต กระดาษทรายที่มีขนาดใหญ่จนยื่นออกมามากเกินไปทำให้เกิดการเสียดสี และอาจเป็นสาเหตุให้เกิดการติดขัด แผ่นฉีกขาด หรือเกิดแรงตึงสะท้อนกลับได้

คำเตือนเพื่อความปลอดภัยสำหรับการขัดผิวโดยเฉพาะ

- ก) อย่าให้ผ้าขัดหรือลูวดียึดส่วนที่หลวมหมุนได้อย่างอิสระ ให้ตัดเส้นฝอยขัดติดกับกลวเพื่อเก็บเข้าที่หรือตัดเส้นฝอยนั้นออก ลูวียึดที่หลวมและหมุนได้อาจพ่นนิ้วมือหรือติดค้างบนชิ้นงานได้

คำเตือนเพื่อความปลอดภัยสำหรับการใช้แปรงลวดโดยเฉพาะ

- ก) โปรดทราบว่าเส้นลวดจะถูกเหวี่ยงด้วยแรงแม่เหล็ก ระหว่างการทำงานตามปกติ อย่าใช้แรงกดมากเกินไปกับแปรงลวด คนแปรงลวดสามารถทะลุเสื้อผ้าที่บางและ/หรือผิวหนังได้ง่าย
- ข) ถ้ามีการใช้ตัวครอบป้องกันตามคำแนะนำสำหรับการขัดด้วยแปรงลวด ต้องไม่ปล่อยให้แผ่นขัดแปรงลวดหรือแปรงลวดเกิดการติดขัดใด ๆ กับตัวครอบป้องกัน แผ่นขัดหรือแปรงลวดอาจมีขนาดเส้นผ่าศูนย์กลางขยายใหญ่ขึ้นเนื่องจากการใช้งานและแรงเหวี่ยง

กฎความปลอดภัยเพิ่มเติมสำหรับเครื่องเจียร

- ส่วนที่เป็นเกลียวยึดสำหรับติดตั้งของอุปกรณ์เสริมต้องมีเกลียวตรงกันกับเกลียวของแกนหมุนของเครื่องเจียร สำหรับอุปกรณ์เสริมที่ยึดด้วยหน้าแปลน รูยึดของอุปกรณ์เสริมต้องพอดีกับเส้นผ่าศูนย์กลางกำหนดตำแหน่งของหน้าแปลน อุปกรณ์เสริมที่ไม่ตรงกันกับส่วนที่ใช้ยึดของเครื่องมือไฟฟ้าจะทำให้ขาดความสมดุล มีอาการสั่นมากเกินไป และอาจทำให้สูญเสียการควบคุมได้
- พื้นผิวเจียรของแผ่นเจียรแบบกดกลางต้องติดตั้งต่ำกว่าระนาบของขอบตัวครอบป้องกัน แผ่นเจียรที่ติดตั้งไม่ถูกต้องที่ยื่นเลยระนาบของขอบตัวครอบป้องกันจะไม่สามารถป้องกันการที่เพียงพอ
- ไม่ควรใช้แผ่นเจียร TYPE 11 (เบ้าเจียร) กับเครื่องมือที่มีการใช้อุปกรณ์เสริมที่ไม่เหมาะสมอาจทำให้เกิดการบาดเจ็บได้
- ใช้มือจับด้านข้างเสมอ ขณะด้ามจับให้แน่น ควรใช้ด้ามจับด้านข้างทุกครั้งเพื่อให้สามารถควบคุมเครื่องมือได้ตลอดเวลา

ความเสี่ยงที่เหลืออยู่

แม้จะปฏิบัติตามข้อกำหนดด้านความปลอดภัยที่เกี่ยวข้องและใช้อุปกรณ์นิรภัยแล้วก็ตาม แต่ก็ไม่สามารถหลีกเลี่ยงความเสี่ยงที่เหลืออยู่บางอย่างได้ ความเสี่ยงเหล่านั้นได้แก่:

- ความบกพร่องในการได้ยินเสียง
- ความเสี่ยงที่จะได้รับบาดเจ็บจากเศษชิ้นงานที่ปลิว
- ความเสี่ยงที่จะเกิดรอยไหม้เนื่องจากอุปกรณ์เสริมที่ร้อนขึ้นในระหว่างใช้งาน
- ความเสี่ยงที่จะได้รับบาดเจ็บเนื่องจากการใช้งานเป็นเวลานาน
- ความเสี่ยงที่จะได้รับฝุ่นของสารที่เป็นอันตราย

สัญลักษณ์บนเครื่องมือ

รูปภาพต่อไปนี้จะปรากฏบนเครื่องมือ:



อ่านคู่มือการใช้งานก่อนใช้เครื่อง



สวมอุปกรณ์ป้องกันตา

ตำแหน่งของรหัสวันที่ (รูป 1)

รหัสวันที่ (p) ซึ่งรวมถึงปีที่ผลิตจะถูกพิมพ์ไว้บนตัวเครื่องตัวอย่างเช่น:

2012 XX XX
ปีที่ผลิต

สิ่งที่อยู่ในบรรจุภัณฑ์

ภายในบรรจุภัณฑ์ประกอบด้วย:

เครื่องเจียร	1 เครื่อง
ตัวครอบป้องกัน	1 แผ่น
มือจับเสริมด้านข้าง	1 ชิ้น
ชุดหน้าแปลน	1 ชุด
กุญแจหกเหลี่ยม (DWE8210S)	1 อัน
ประแจ (DWE8200S, DWE8200T, DWE8200PL)	1 อัน
คู่มือการใช้งาน	1 เล่ม

- ตรวจสอบร่องรอยความเสียหายของเครื่องมือ ชิ้นส่วนหรืออุปกรณ์เสริม ที่อาจเกิดขึ้นในระหว่างการขนส่ง
- อ่านและทำความเข้าใจคู่มือเล่มนี้ก่อนการใช้งาน

คำอธิบาย (รูป 1)



คำเตือน: ห้ามดัดแปลงเครื่องมือไฟฟ้าหรือส่วนประกอบต่างๆ เพราะอาจทำให้เครื่องมือชำรุดหรือได้รับบาดเจ็บได้

- ปุ่มล๊อคแกนหมุน
- แกนหมุน
- มือจับเสริมด้านข้าง
- หน้าแปลนรองหลัง
- น็อตยึดแบบมีเกลียว
- ตัวครอบป้องกัน
- สวิตช์เลื่อน (รุ่น DWE8200S และ DWE8210S)
- สวิตช์เปิด/ปิด (รุ่น DWE8200T)
- ปุ่มล๊อค (รุ่น DWE8200PL & DWE8210PL)
- แผงสวิตช์ (รุ่น DWE8200PL & DWE8210PL)

วัตถุประสงค์ในการใช้งาน

เครื่องเจียรเข้ามุมขนาดเล็ก รุ่น DWE8200S, DWE8200T, DWE8200PL, DWE8210S, DWE8210PL ได้รับการออกแบบมาสำหรับการเจียร การขัดกระดาษทราย การขัดด้วยแปรงลวด การขัดเงา และการตัดระดับมืออาชีพ

ห้ามใช้แผ่นเจียรที่ไม่ใช่แผ่นเจียรแบบกตกลางและจานนำทราย ห้ามใช้งาน หากอยู่ในบริเวณที่เปียกชื้น หรือมีของเหลวไวไฟ หรือแก๊สอยู่ในบริเวณดังกล่าว

เครื่องเจียรสำหรับงานหนักนี้เป็นเครื่องมือไฟฟ้าระดับมืออาชีพ

ห้ามเด็กสัมผัสกับเครื่องมือไฟฟ้า ผู้ใช้ที่ไม่มีประสบการณ์มาก่อนต้องได้รับการดูแลในขณะที่ใช้เครื่องมือนี้

- เครื่องมือนี้ไม่ได้มีไว้เพื่อการใช้งานโดยบุคคล (ซึ่งรวมถึงผู้เยาว์) ที่มีความบกพร่องทางร่างกาย ทางการรับรู้ความรู้สึก หรือทางจิตประสาท หรือขาดประสบการณ์ ความรู้ และทักษะ เว้นเสียแต่จะได้รับการควบคุมดูแลหรือคำแนะนำการใช้เครื่องมือโดยผู้ที่รับผิดชอบต่อความปลอดภัยของบุคคลเหล่านั้น ห้ามปล่อยผู้เยาว์ไว้กับเครื่องมือนี้ตามลำพัง

ความปลอดภัยทางไฟฟ้า

มอเตอร์ไฟฟ้าออกแบบมาเพื่อใช้กับแรงดันไฟฟ้าขนาดเดียวเท่านั้น ต้องตรวจสอบกำลังไฟเพื่อให้ตรงกับแรงดันไฟฟ้าบนแผ่นแสดงพิกัดเสมอ



เครื่องมือนี้มีฉนวนสองชั้น ดังนั้นจึงไม่จำเป็นต้องต่อสายดิน ต้องตรวจสอบกำลังไฟเพื่อให้ตรงกับแรงดันไฟฟ้าบนแผ่นแสดงพิกัดเสมอ

ถ้าสายไฟของตัวเครื่องชำรุดเสียหาย ต้องเปลี่ยนเป็นสายไฟที่จัดเตรียมมาเป็นพิเศษซึ่งสั่งซื้อได้ที่ศูนย์บริการของ DEWALT

การใช้สายพ่วง

ถ้าจำเป็นต้องใช้สายพ่วง ควรใช้สายพ่วง 3 คอร์ที่ผ่านการรับรองและเหมาะกับกำลังไฟเข้าของเครื่องมือนี้ (ดูข้อมูลด้านเทคนิค) ขนาดของตัวนำไฟฟ้าต่ำสุด คือ 1.5 ตร.มม². ความยาวสูงสุดคือ 30 ม.

เมื่อใช้อุปกรณ์มีฉนวนกันสลายไฟ ให้คลายสายไฟออกจนหมดก่อนทุกครั้ง

การประกอบและการปรับแต่ง



คำเตือน: เพื่อลดความเสี่ยงจากการได้รับบาดเจ็บรุนแรง ต้องปิดเครื่องมือและถอดปลั๊กเครื่องมือออกจากแหล่งจ่ายไฟก่อนทำการปรับตั้ง หรือทำการถอด/ติดตั้งอุปกรณ์ยึดติดหรืออุปกรณ์เสริมใด ๆ ทุกครั้ง ก่อนต่อเครื่องมือใหม่อีกครั้ง ให้กดและปล่อยสวิตช์ไกเพื่อให้แน่ใจว่าเครื่องมือปิดอยู่

ใส่ด้ามจับด้านข้าง (รูป 1)



คำเตือน: ก่อนใช้เครื่องมือ ให้ตรวจสอบว่าได้ขันด้ามจับแน่นดีแล้ว

ขันด้ามจับด้านข้าง (c) ให้เข้าไปในรูที่อยู่ด้านใต้ด้านหนึ่งของเสื้อเกียร์ให้แน่น ควรใช้ด้ามจับด้านข้างทุกครั้งเพื่อให้สามารถควบคุมเครื่องมือได้ตลอดเวลา

อุปกรณ์เสริมและอุปกรณ์ยึดติด

การเลือกตัวครอบป้องกัน แผ่นรองหลัง และหน้าแปลนที่เหมาะสมเพื่อใช้กับอุปกรณ์เสริมของเครื่องเจียรเป็นสิ่งสำคัญมาก สำหรับข้อมูลเกี่ยวกับการเลือกอุปกรณ์เสริมที่เหมาะสมโปรดดูในตารางที่ตอนท้ายของส่วนนี้

หมายเหตุ: การเจียรและตัดขอบสามารถทำได้ด้วยแผ่นเจียร TYPE 27 ซึ่งได้รับการออกแบบมาโดยเฉพาะ



คำเตือน: อุปกรณ์เสริมจะต้องรองรับอัตราเร็วอย่างน้อยที่สุดตามคำแนะนำบนป้ายเตือนของเครื่องมือ แผ่นเจียรและอุปกรณ์เสริมอื่น ๆ ที่หมุนด้วยอัตราเร็วที่กำหนดอาจหลุดออกและทำให้บาดเจ็บได้ อุปกรณ์เสริมที่มีเกลียวต้องมีแกนกลางขนาด M10 (สำหรับรุ่น DWE8200T, DWE8200S, DWE8200PL) หรือขนาด M14 (สำหรับรุ่น DWE8210S, DWE8210PL) อุปกรณ์เสริมที่ไม่มีเกลียวต้องมียึดขนาด 22 มม. หากอุปกรณ์เสริมมีขนาดไม่ตรงตามที่ระบุ อาจเป็นอุปกรณ์ที่ออกแบบมาสำหรับเลื่อยวงเดือน และจะต้องไม่นำมาใช้กับเครื่องมือนี้ ให้ใช้เฉพาะอุปกรณ์เสริมที่แสดงในตารางที่ตอนท้ายของส่วนนี้เท่านั้น พิกัดของอุปกรณ์เสริมต้องสูงกว่าความเร็วต่ำสุดของแผ่นเจียรที่แสดงบนแผ่นป้ายของเครื่องมือ

การติดตั้งตัวครอบป้องกัน (รูป 2)

คำเตือน: เพื่อลดความเสี่ยงจากการได้รับบาดเจ็บรุนแรง ต้องปิดเครื่องมือและถอดปลั๊กเครื่องมือออกจากแหล่งจ่ายไฟก่อนทำการปรับตั้ง หรือทำการถอด/ติดตั้งอุปกรณ์ยึดติดหรืออุปกรณ์เสริมใดๆ ทุกครั้ง ก่อนต่อเครื่องมือใหม่อีกครั้ง ให้กดและปล่อยสวิตช์ไกเพื่อให้แน่ใจว่าเครื่องมือปิดอยู่



ข้อควรระวัง: ต้องใช้ตัวครอบป้องกันกับเครื่องเจียร์นี้

เมื่อใช้เครื่องเจียร์รุ่น DWE8200S หรือ DWE8200T หรือ DWE8200PL หรือ DWE8210S หรือ DWE8210PL เพื่อตัดโลหะหรือวัสดุก่อสร้าง จะต้องใช้ตัวครอบป้องกัน TYPE 1 ตัวครอบป้องกัน TYPE 1 ต้องซื้อแยกต่างหากจากตัวแทนจำหน่ายของ DEWALT

หมายเหตุ: โปรดดู ตารางอุปกรณ์เสริมสำหรับการเจียร์และการตัด ที่ตอนท้ายของส่วนนี้ เพื่อดูอุปกรณ์เสริมอื่นๆ ที่สามารถใช้กับเครื่องเจียร์เหล่านี้ได้

การติดตั้งตัวครอบป้องกันแบบปิด (Type 1) หรือแบบมาตรฐาน (Type 27)



ข้อควรระวัง: ปิดและถอดปลั๊กเครื่องก่อนทำการปรับใดๆ หรือก่อนถอดหรือใส่อุปกรณ์ยึดติดหรืออุปกรณ์เสริม ก่อนต่อเครื่องมือใหม่อีกครั้ง ให้กดและปล่อยสวิตช์ไกเพื่อให้แน่ใจว่าเครื่องมือยังปิดอยู่

แผ่นเจียร์แบบมีแกนกลางจะติดตั้งเข้ากับแกนหมุน M10 (DWE8200T, DWE8200S, DWE8200PL), M14 (DWE8210S, DWE8210PL) โดยตรงเกลียวของอุปกรณ์เสริมต้องตรงกับเกลียวของแกนหมุน

1. คลายสกรูอก จนกระทั่งสลัก (k) ของตัวครอบป้องกันสามารถหมุนได้อิสระในร่อง (j) ที่อยู่บนแกนของสื่อยึด
2. หมุนตัวครอบป้องกัน (1) ให้เข้าไปในตำแหน่งทำงานที่ต้องการ ควรจัดตัวครอบป้องกันให้อยู่ระหว่างแกนหมุนกับผู้ใช้งาน เพื่อจะได้ป้องกันผู้ใช้งานได้เต็มที่
3. ขันสกรูเพื่อยึดตัวครอบป้องกันไว้บนฝาครอบของสื่อยึดให้แน่น (แรงบิดในการขันไม่น้อยกว่า 2.5 นิวตันเมตร) คุณไม่ควรจะหมุนตัวครอบป้องกันได้ด้วยมือ ห้ามใช้งานเครื่องเจียร์ที่มีตัวครอบป้องกันหลวม
4. ถ้าต้องการถอดตัวครอบป้องกันออก ให้คลายสกรูและดึงตัวครอบป้องกันขึ้น



ข้อควรระวัง: การไม่จัดวางแผ่นเจียร์ให้เหมาะสมก่อนเปิดเครื่องมืออาจทำให้เกิดความเสียหายต่อเครื่องมือหรือแผ่นเจียร์

การใส่และการถอดแผ่นเจียร์หรือแผ่นตัด (รูป 1, 4, 5)



คำเตือน: ห้ามใช้แผ่นเจียร์ที่ชำรุดเสียหาย

1. วางเครื่องมือไว้บนโต๊ะ ให้ตัวครอบป้องกันตั้งขึ้น
2. ใส่หน้าแปลนรองหลัง (d) เข้ากับแกนหมุน (b) (รูป 4) อย่างถูกต้อง
3. วางแผ่นเจียร์ (n) ไว้บนหน้าแปลนรองหลัง (d) เมื่อใส่แผ่นเจียร์โดยให้ตรงกลางตั้งขึ้นแล้ว ตรวจสอบให้แน่ใจว่าตรงกลางที่ตั้งขึ้น (l) หันไปทางหน้าแปลนรองหลัง (d) หรือไม่
4. ขันน็อตยึดแบบมีเกลียว (e) ลงบนแกนหมุน (b) (รูป 5):
 - ก. หัวบนน็อตยึดแบบมีเกลียว (e) ต้องหันไปทางแผ่นเจียร์เมื่อจะใส่แผ่นเจียร์ (รูป 5A)
 - ข. หัวบนน็อตยึดแบบมีเกลียว (e) ต้องหันออกจากแผ่นตัดเมื่อจะใส่แผ่นตัด (รูป 5B)
5. กดปุ่มล็อกแกนหมุน (a) และหมุนแกนหมุน (b) จนกระทั่งล็อกเข้าที่
6. ขันน็อตยึดแบบมีเกลียว (e) ด้วยประแจหรือประแจหกเหลี่ยมที่ให้มาด้วย
7. ปลดล็อกแกนหมุน
8. ถ้าต้องการถอดแผ่นเจียร์ ให้คลายน็อตยึดแบบมีเกลียว (e) ด้วยประแจหรือประแจหกเหลี่ยมด้วย

หมายเหตุ: การเจียร์และการตัดขอบสามารถทำได้ด้วยแผ่นเจียร์ Type 27 ซึ่งได้รับการออกแบบมาโดยเฉพาะ แผ่นเจียร์ที่หนา 6 มม. ได้รับการออกแบบสำหรับการเจียร์พื้นผิว ขณะที่แผ่นเจียร์/ที่หนา 3 มม. ได้รับการออกแบบมาสำหรับการเจียร์ขอบ การตัดยังสามารถทำได้ด้วยการใช้แผ่นเจียร์ Type 1 และตัวครอบป้องกัน Type 1 อีกด้วย

ขนาดเส้นผ่านศูนย์กลางที่แนะนำของแผ่นเจียร์หรือแผ่นตัดสำหรับเครื่องมือนี้คือ 100 มม. (รุ่น DWE8200S, DWE8200T, DWE8200PL) หรือ 125 มม. (รุ่น DWE8210S, DWE8210PL)

การใส่แปรงลวดและแผ่นขัดแปรงลวด

แปรงลวดแบบถั่วหรือแผ่นขัดแปรงลวดจะขันเข้ากับแกนหมุนของเครื่องเจียร์โดยตรงไม่ต้องใช้หน้าแปลน ใช้แปรงลวดหรือแผ่นขัดที่ให้มาพร้อมแกนแบบมีเกลียว M10 (รุ่น DWE8200S และ DWE8200T และ DWE8200PL) หรือ M14 (รุ่น DWE8210S, DWE8210PL)

เท่านั้น ตัวครอบป้องกัน Type 27 เป็นสิ่งจำเป็นเมื่อใช้แปรงลวดและแผ่นขัด



ข้อควรระวัง: สวมถุงมือเมื่อจะสัมผัสแปรงลวดและแผ่นขัด เพราะอาจมีคมได้



ข้อควรระวัง: แผ่นขัดหรือแปรงลวดต้องไม่สัมผัสถูกตัวครอบป้องกันในเวลาที่ติดตั้งหรือขณะใช้งาน ความเสียหายที่ตรวจไม่พบอาจเกิดขึ้นกับอุปกรณ์เสริม ทำให้เส้นลวดแยกออกจากแผ่นหรือถ้วยของอุปกรณ์เสริม

1. หมุนเกลียวของแผ่นบนแกนหมุนด้วยมือ
2. กดปุ่มล็อกแกนหมุน และใช้ประแจบนแกนของแผ่นขัดแปรงลวดหรือแปรงลวดเพื่อขันแผ่นให้แน่น
3. ถ้าต้องการถอดแผ่นขัดออก ให้ทำย้อนกลับขั้นตอนด้านบน

ข้อสังเกต: การไม่จัดวางแกนของแผ่นขัดให้เหมาะสมก่อนเปิดเครื่องมืออาจทำให้เกิดความเสียหายต่อเครื่องมือหรือแผ่นขัดได้ ขนาดเส้นผ่าศูนย์กลางที่แนะนำของแปรงลวดและแผ่นขัดแปรงลวดสำหรับเครื่องมือนี้คือ 100 มม. (รุ่น DWE8200S, DWE8200T, DWE8200PL) หรือ 125 มม. (รุ่น DWE8210S, DWE8210PL)

การใส่และการถอดแผ่นรองหลัง/กระดาดทราย

1. วางเครื่องมือบนโต๊ะหรือพื้นผิวเรียบ โดยหันตัวครอบป้องกันขึ้น
2. ถอดหน้าแปลนรองหลัง (d)
3. วางแผ่นยางรองหลังไว้บนแกนหมุน (b) อย่างถูกต้อง
4. วางกระดาดทรายไว้บนแผ่นยางรองหลัง
5. ขันน็อตยึดแบบมีเกลียว (e) เข้ากับแกนหมุน แหวนบนน็อตยึดแบบมีเกลียวต้องหันไปทางแผ่นยางรองหลัง
6. กดปุ่มล็อกแกนหมุน (a) และหมุนแกนหมุน (b) จนกระทั่งล็อกเข้าที่
7. ขันน็อตยึดแบบมีเกลียว (e) ด้วยประแจหกเหลี่ยมหรือด้วยประแจสลักสองขา
8. ปลดล็อกแกนหมุน
9. ถ้าต้องการถอดแผ่นยางรองหลัง ให้คลายน็อตยึดแบบมีเกลียว (e) ด้วยประแจหกเหลี่ยมหรือด้วยประแจสลักสองขา

ขนาดเส้นผ่าศูนย์กลางที่แนะนำของแผ่นรองหลัง/กระดาดทรายสำหรับเครื่องมือนี้คือ 100 มม. (รุ่น DWE8200S, DWE8200T, DWE8200PL) หรือ 125 มม. (รุ่น DWE8210S, DWE8210PL)

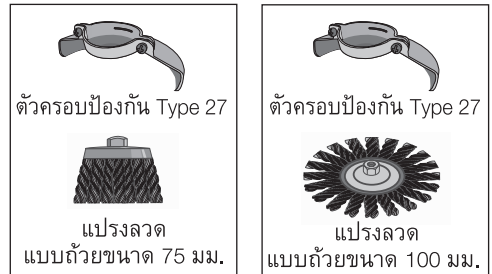
การใส่แปรงลวดแบบถ้วย

ขันแปรงลวดแบบถ้วยเข้ากับแกนหมุนโดยตรง ไม่ต้องใช้แหวนสเปเซอร์และหน้าแปลนแบบมีเกลียว

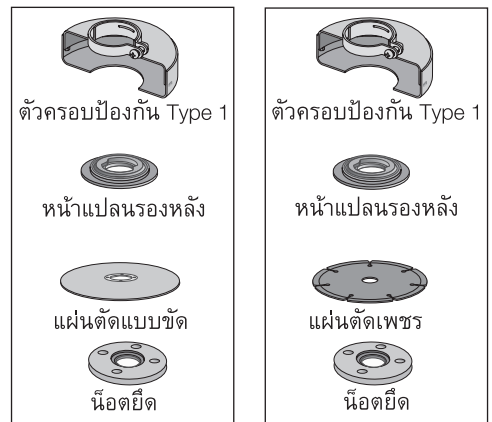
แผ่นเจียร 100 มม.



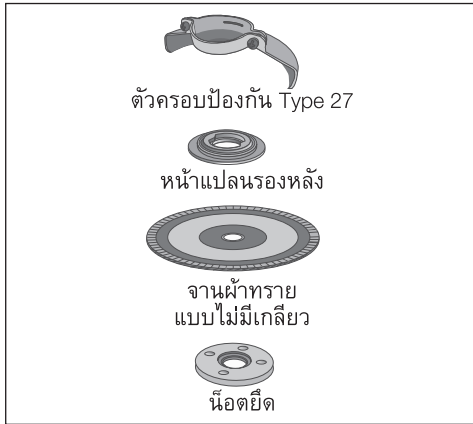
แผ่นขัด



แผ่นตัดขนาด 100 มม.



จานผ้าทรายขนาด 100 มม.



ก่อนการใช้งาน

- ติดตั้งตัวครอบป้องกันและแผ่นเจียรที่เหมาะสม อย่าใช้แผ่นเจียรที่สึกมากเกินไป
- ตรวจสอบให้แน่ใจว่าได้ติดตั้งหน้าแปลนด้านในและด้านนอกอย่างถูกต้องแล้ว
- ตรวจสอบให้แน่ใจว่าแผ่นเจียรหมุนในทิศทางตามลูกศรบนอุปกรณ์เสริมและเครื่องมือ

การใช้งาน

วิธีการใช้เครื่อง



คำเตือน: ทำตามข้อปฏิบัติเพื่อความปลอดภัยและข้อกำหนดที่ให้ไว้เสมอ



คำเตือน: เพื่อลดความเสี่ยงจากการได้รับบาดเจ็บรุนแรง ต้องปิดเครื่องมือและถอดปลั๊กเครื่องมือออกจากแหล่งจ่ายไฟก่อนทำการปรับตั้งหรือทำการถอดติดตั้งอุปกรณ์ยึดติดหรืออุปกรณ์เสริมใดๆ ทุกครั้ง ก่อนต่อเครื่องมือใหม่อีกครั้ง ให้กดและปล่อยสวิตช์ไกเพื่อให้แน่ใจว่าเครื่องมือปิดอยู่



คำเตือน:

- ตรวจสอบให้แน่ใจว่าสวิตช์ทั้งหมดที่จะเจียรหรือตัดได้รับการยึดเข้าที่อย่างแน่นหนาแล้ว
- ยึดและหมุนชิ้นงานไว้ ใช้ปากกาจับชิ้นงานหรือตัวจับชิ้นงานเพื่อยึดและหมุนชิ้นงานบนแท่นที่มั่นคง การจับยึดและหมุนชิ้นงานให้มั่นคงเป็นสิ่งจำเป็นเพื่อป้องกันชิ้นงานเคลื่อนที่และสูญเสียการควบคุม การเคลื่อนที่ของชิ้นงานหรือการสูญเสียการควบคุมอาจทำให้เกิดอันตรายและการบาดเจ็บได้

- ออกแรงกดไปยังเครื่องมือเพียงเบาๆ ห้ามออกแรงกดด้านข้างที่แผ่นเจียร
- หลีกเลี่ยงการใช้งานหนักเกินไป หากเครื่องมือร้อน ให้ปล่อยให้เครื่องทำงานโดยไม่มีการโหลดเป็นเวลาสองสามนาที

ตำแหน่งการจับที่เหมาะสม (รูป 6)



คำเตือน: เพื่อลดความเสี่ยงจากการบาดเจ็บที่รุนแรง ให้วางมือในตำแหน่งที่ถูกต้องทุกครั้งดังแสดงในภาพ



คำเตือน: เพื่อลดความเสี่ยงจากการได้รับบาดเจ็บสาหัส จะต้องจับเครื่องมือให้แน่นทุกครั้ง เพื่อในกรณีที่เกิดการตอบสนองขึ้นแบบทันทีทันใด

ตำแหน่งการจับที่เหมาะสมจะต้องให้มือข้างหนึ่งอยู่บนด้ามจับด้านข้าง (รูป 1) และมีอีกข้างหนึ่งอยู่บนตัวเครื่อง ตามที่แสดงในรูป 6

สวิตช์



ข้อควรระวัง: จับตัวเครื่องให้แน่นเพื่อให้สามารถควบคุมเครื่องมือได้ตลอดทั้งในเวลาที่เริ่มเปิดเครื่อง ในระหว่างการใช้งาน และจนกระทั่งแผ่นหรืออุปกรณ์เสริมหยุดหมุน ตรวจสอบให้แน่ใจว่าแผ่นหยุดสนิทก่อนวางเครื่องมือลง

หมายเหตุ: เพื่อลดการเคลื่อนที่ของเครื่องมือโดยไม่คาดคิด ห้ามเปิดหรือปิดสวิตช์เครื่องมือขณะที่อยู่ในสภาวะที่มีภาระโหลด ให้เครื่องเจียรทำงานจนถึงความเร็วสูงสุดก่อนสัมผัสพื้นผิวของงาน ยกเครื่องมือออกจากพื้นผิวก่อนปิดเครื่องมือ ปล่อยให้เครื่องหยุดหมุนก่อนวางเครื่องลง

สวิตช์เลือกรุ่น DWE8200S และ DWE8210S (รูป 3)



คำเตือน: ก่อนเชื่อมต่อเครื่องมือเข้ากับแหล่งจ่ายไฟ ตรวจสอบให้แน่ใจว่าสวิตช์เลื่อนอยู่ในตำแหน่งปิด โดยการกดส่วนหลังของสวิตช์และปล่อย ตรวจสอบให้แน่ใจว่าสวิตช์เลื่อนอยู่ในตำแหน่งปิดตามที่อธิบายไว้ข้างต้น หลังจากที่มีการหยุดจ่ายไฟไปยังเครื่องมือไม่ว่าด้วยสาเหตุใด เช่น การทำงานขอตัดตัดการทำงานเนื่องจากความผิดปกติของกราวด์ การตัดไฟของเซอร์กิตเบรกเกอร์ การถอดปลั๊กโดยไม่ตั้งใจ หรือระบบไฟฟ้าขัดข้อง ถ้าสวิตช์เลื่อนถูกล๊อคไว้ที่ตำแหน่งเปิดขณะที่เชื่อมต่อเข้ากับแหล่งจ่ายไฟ เครื่องมือจะเริ่มทำงานโดยไม่คาดคิด

ถ้าต้องการให้เครื่องมือเริ่มทำงาน ให้เลื่อนสวิตช์เลื่อน (๑) ไปทางด้านหน้าของเครื่องมือ ถ้าต้องการหยุดเครื่องมือ ให้ปล่อยสวิตช์เลื่อนนี้

กรณีที่ต้องการใช้งานอย่างต่อเนื่อง ให้เลื่อนสวิตช์ไปทางด้านหน้าของเครื่องมือ และกดส่วนหน้าของสวิตช์ให้เข้าไปข้างใน

ถ้าต้องการหยุดเครื่องมือขณะทำงานแบบต่อเนื่อง ให้กดส่วนหลังของสวิตช์เลื่อนแล้วปล่อย

สวิตช์เปิด/ปิด รุ่น DWE8200T (รูป 3)



คำเตือน: ก่อนใช้เครื่องมือ ให้ตรวจสอบว่าได้ขันตามจับแน่นดีแล้ว

ถ้าต้องการเปิดเครื่องมือ ให้ดันปุ่ม (g1) ไปที่ตำแหน่ง "1" ถ้าต้องการปิดเครื่องมือ ให้ดันปุ่มสวิตช์เปิด/ปิด (g1) ไปที่ตำแหน่ง "0"



คำเตือน: ห้ามเปิดหรือปิดสวิตช์เครื่องมือในขณะที่มีกระแสไหล

แผงสวิตช์รุ่น DWE8200PL และ DWE8210PL (รูป 3)

ถ้าต้องการเริ่มใช้งานเครื่องมือ ให้กดสวิตช์ล๊อคปิด (g2) แล้วกดแผงสวิตช์ (g3)
ปิดเครื่องมือโดยการปล่อยแผงสวิตช์ (g3)

ตัวล๊อคแกนหมุน (รูป 1)

ตัวล๊อคแกนหมุน (a) มีไว้เพื่อป้องกันแกนหมุนไม่ให้หมุนในเวลาที่ติดตั้งหรือถอดแผ่น ใช้ตัวล๊อคแกนหมุนเฉพาะเมื่อได้ปิดเครื่องมือ ถอดปลั๊กออกจากแหล่งจ่ายไฟ และเครื่องมือได้หยุดสนิทแล้ว

ข้อสังเกต: เพื่อลดความเสี่ยงที่จะเกิดความเสียหายต่อเครื่องมือ ห้ามใช้ตัวล๊อคแกนหมุนขณะเครื่องมือกำลังทำงาน มิฉะนั้นจะเกิดความเสียหายกับเครื่องมือได้ และอุปกรณ์เสริมที่นำมาต่ออาจหมุนออกมา ทำให้เกิดการบาดเจ็บได้

ถ้าต้องการล๊อค ให้กดปุ่มล๊อคแกนหมุน และหมุนแกนหมุนจนกระทั่งไม่สามารถหมุนต่อไปได้อีก

การใช้งานกับโลหะ

เมื่อจะใช้เครื่องมือในการทำงานกับโลหะ ต้องแน่ใจว่าได้มีการใส่อุปกรณ์ป้องกันไฟดูด (RCD) เพื่อหลีกเลี่ยงความเสี่ยงที่มีอยู่ที่เกิดจากเศษโลหะ

ถ้าแหล่งจ่ายไฟถูกปิดโดย RCD ให้นำเครื่องมือไปยังศูนย์ซ่อม DEWALT ที่ได้รับอนุญาตจาก DEWALT



คำเตือน: ในสภาพการทำงานหนัก อาจมีการสะสมฝุ่นที่เป็นสื่อนำไฟฟ้าภายในตัวเครื่องในเวลาที่ทำงานกับโลหะ ฝุ่นนี้อาจส่งผลให้ฉนวนป้องกันในเครื่องจักรเสื่อมประสิทธิภาพ และอาจเสี่ยงต่อการเกิดไฟดูดได้

เพื่อหลีกเลี่ยงการสะสมของเศษโลหะภายในเครื่องจักร เราขอแนะนำให้ทำความสะอาดช่องระบายอากาศทุกวัน โปรดดู การบำรุงรักษา

การใช้งานผ้าทราย



คำเตือน: การสะสมของฝุ่นโลหะ การใช้งานผ้าทรายอย่างยาวนานในการทำงานกับโลหะ อาจทำให้แนวโน้มที่จะเกิดไฟดูดเพิ่มสูงขึ้น เพื่อลดความเสี่ยงนี้ ให้ใส่อุปกรณ์ RCD ก่อนใช้งาน และทำความสะอาดช่องระบายอากาศโดยการเป่าลมอัดที่แห้งเข้าไปในช่องระบายอากาศตามคำแนะนำในการบำรุงรักษาด้านล่างนี้

การบำรุงรักษา

เครื่องมือไฟฟ้า DEWALT ออกแบบมาเพื่อให้สามารถใช้งานได้อย่างยาวนานต่อเนื่องด้วยการบำรุงรักษาที่ดีที่สุด การทำงานที่สร้างความพึงพอใจอย่างต่อเนื่องจะขึ้นอยู่กับการดูแลรักษาที่เหมาะสมและการทำความสะอาดอย่างสม่ำเสมอ



คำเตือน: เพื่อลดความเสี่ยงจากการได้รับบาดเจ็บรุนแรง ต้องปิดเครื่องมือและถอดปลั๊กเครื่องมือออกจากแหล่งจ่ายไฟก่อนทำการปรับตั้งหรือทำการถอด/ติดตั้งอุปกรณ์ยึดติดหรืออุปกรณ์เสริมใดๆ ทุกครั้ง ก่อนต่อเครื่องมือใหม่อีกครั้ง ให้กดและปล่อยสวิตช์ไกเพื่อให้แน่ใจว่าเครื่องมือได้หยุด

แปรง Pop-off

มอเตอร์จะปิดโดยอัตโนมัติเพื่อแสดงว่าแปรงถ่านเกือบจะสึกหมดแล้ว และต้องนำเครื่องมือเข้ารับการบริการ แปรงถ่านนี้ ผู้ใช้ไม่สามารถซ่อมเองได้ โปรดนำเครื่องมือไปยังศูนย์ซ่อมที่ได้รับอนุญาตจาก DEWALT



การหล่อลื่น

ไม่ต้องใช้สารหล่อลื่นเพิ่มเติมกับเครื่องมือไฟฟ้านี้



การทำความสะอาด



คำเตือน: หมั่นเป่าสิ่งสกปรกและฝุ่นละอองที่สะสมออกจากตัวเครื่องเป็นประจำด้วยลมแห้ง เนื่องจากสิ่งสกปรกมักจะสะสมอยู่ภายในและรอบๆ ช่องระบายอากาศ สวมอุปกรณ์ป้องกันดวงตาและหน้ากากกันฝุ่นที่ได้มาตรฐานในขณะดำเนินการขั้นตอนนี้



คำเตือน: ห้ามใช้สารที่เป็นตัวทำละลายหรือสารเคมีที่มีฤทธิ์กัดกร่อนรุนแรงอื่นๆ ทำความสะอาดชิ้นส่วนที่ไม่ใช่โลหะของเครื่องมือ สารเคมีเหล่านี้ อาจส่งผลต่อวัสดุที่ใช้ในชิ้นส่วนเหล่านี้ โดยเฉพาะผ้าขนนำสบู่อ่อนๆ เท่านั้น อย่าให้มีของเหลวใดๆ เข้าไปในเครื่องมือเด็ดขาด ห้ามจุ่มส่วนใดๆ ของเครื่องมือลงในของเหลวเด็ดขาด

อุปกรณ์เสริม



คำเตือน: เนื่องจากอุปกรณ์เสริมอื่นนอกเหนือจากที่ DEWALT มีจำหน่าย ไม่ได้ผ่านการทดสอบร่วมกับผลิตภัณฑ์นี้ จึงอาจเป็นอันตรายหากใช้อุปกรณ์เสริมดังกล่าวร่วมกับเครื่องมือนี้ เพื่อเป็นการลดความเสี่ยงจากการได้รับบาดเจ็บ ให้ใช้อุปกรณ์เสริมเฉพาะที่ DEWALT แนะนำให้ใช้ร่วมกับผลิตภัณฑ์นี้เท่านั้น

โปรดติดต่อตัวแทนจำหน่ายหากต้องการข้อมูลเพิ่มเติมเกี่ยวกับอุปกรณ์เสริมที่เหมาะสม

การปกป้องสิ่งแวดล้อม



การเก็บรวบรวมแบบคัดแยก ห้ามทิ้งผลิตภัณฑ์นี้รวมกับขยะในครัวเรือนปกติ

หากวันหนึ่งคุณพบว่า จำเป็นต้องเปลี่ยนผลิตภัณฑ์ DEWALT ของคุณ หรือถ้าเครื่องมือนี้ไม่เป็นประโยชน์สำหรับคุณอีกต่อไป อย่าวางทิ้งผลิตภัณฑ์นี้รวมกับขยะในครัวเรือน จัดการกับผลิตภัณฑ์นี้เพื่อให้พร้อมสำหรับการเก็บรวบรวมแบบคัดแยก



การเก็บรวบรวมแบบคัดแยกสำหรับบรรจุภัณฑ์และผลิตภัณฑ์ที่ใช้แล้วทำให้สามารถรีไซเคิลวัสดุและนำมาใช้งานอีกครั้ง การนำวัสดุรีไซเคิลมาใช้อีกครั้งจะช่วยป้องกันมลพิษต่อสิ่งแวดล้อมและลดความต้องการวัตถุดิบ

ตามกฎหมายเทียบท้องถิ่นอาจมีการจัดเตรียมสถานที่สำหรับการเก็บรวบรวมแบบคัดแยกอุปกรณ์ไฟฟ้าที่ใช้ภายในครัวเรือนไว้ ณ แหล่งรับขยะของเทศบาล หรืออาจมีการรับอุปกรณ์ใช้แล้วจากผู้ค้าปลีกในกรณีที่คุณซื้อผลิตภัณฑ์ชิ้นใหม่

DEWALT พร้อมให้ความสะดวกในการเก็บรวบรวมและรีไซเคิลผลิตภัณฑ์ DEWALT เมื่อผลิตภัณฑ์เหล่านั้นหมดอายุการใช้งาน หากต้องการบริการดังกล่าวจากเรา โปรดส่งผลิตภัณฑ์ของคุณคืนศูนย์บริการที่ได้รับอนุญาต ซึ่งจะทำหน้าที่เป็นตัวแทนของเราในการเก็บรวบรวมผลิตภัณฑ์

คุณสามารถตรวจเช็คศูนย์บริการใกล้บ้านที่ได้รับอนุญาต โดยติดต่อไปที่สำนักงาน DEWALT ประจำพื้นที่ ตามที่อยู่ที่ให้ไว้ในคู่มือเล่มนี้ หรือคุณอาจตรวจเช็ครายชื่อศูนย์บริการ DEWALT ที่ได้รับอนุญาต รวมทั้งรายละเอียดต่างๆ ของบริการหลังการขายได้ทางอินเทอร์เน็ต ที่:

www.2helpU.com

MÁY MÀI GÓC

PWE8200T, DWE8200S, DWE8200PL, DWE8210S, DWE8210PL

Xin chúc mừng!

Bạn đã chọn thiết bị của DEWALT. Qua nhiều năm kinh nghiệm, những đổi mới và phát triển sản phẩm một cách toàn diện đã khiến DEWALT trở thành một trong những đối tác tin cậy nhất đối với người sử dụng dụng cụ điện cầm tay chuyên nghiệp.

Thông số Kỹ thuật

		DWE8200T	DWE8200S	DWE8200PL	DWE8210S	DWE8210PL
Điện áp	V	220-240	220-240	220-240	220-240	220-240
Loại		1	1	1	1	1
Công suất đầu vào	W	850	850	850	850	850
Tốc độ không tải/định mức	/phút	12000	12000	12000	12000	12000
Đường kính đĩa mài	mm	100	100	100	125	125
Đường kính trục chính		M10	M10	M10	M14	M14
Kiểu công tắc		đảo chiều	trượt	bật tắt	trượt	bật tắt
Trọng lượng	kg	1.75*	1.75*	1.75*	1.95*	1.95*

* chưa có tay cầm bên, đầu nối và dây dẫn; đã có vành chắn và mặt bích.

Định nghĩa: Hướng dẫn an toàn

Các định nghĩa dưới đây mô tả mức độ nghiêm trọng của từng ký hiệu. Vui lòng đọc hướng dẫn sử dụng và chú ý đến các ký hiệu này.



NGUY HIỂM: Chỉ tình huống nguy hiểm sắp xảy ra mà, nếu không phòng tránh, sẽ gây tử vong hoặc chấn thương nghiêm trọng.



CẢNH BÁO: Chỉ tình huống nguy hiểm tiềm ẩn mà, nếu không phòng tránh, có thể gây tử vong hoặc chấn thương nghiêm trọng.



CẢN THẬN: Chỉ tình huống nguy hiểm tiềm ẩn mà, nếu không phòng tránh, có thể gây chấn thương vừa hoặc nhẹ.

LƯU Ý: Chỉ một hoạt động không liên quan đến chấn thương cá nhân mà, nếu không phòng tránh, có thể gây hư hỏng tài sản.



Biểu thị nguy cơ bị điện giật.



Biểu thị nguy cơ hỏa hoạn.



CẢNH BÁO: Để giảm nguy cơ gây chấn thương, hãy đọc sổ tay hướng dẫn.

Cảnh báo chung về an toàn các dụng cụ điện cầm tay



CẢNH BÁO! Đọc tất cả các cảnh báo và hướng dẫn về an toàn. Việc không tuân theo các cảnh báo và hướng dẫn có thể gây giật điện, cháy nổ và/hoặc chấn thương nghiêm trọng.

LƯU GIỮ MỌI CẢNH BÁO VÀ HƯỚNG DẪN ĐỂ SAU NÀY THAM KHẢO

Thuật ngữ “dụng cụ điện cầm tay” trong phần cảnh báo dùng để chỉ thiết bị chạy bằng điện lưới (có dây điện) hoặc thiết bị chạy bằng pin (không có dây điện).

1) AN TOÀN TẠI NƠI LÀM VIỆC

- Đảm bảo nơi làm việc luôn sạch sẽ và đủ ánh sáng.** Những khu vực bừa bộn hoặc thiếu ánh sáng dễ gây tai nạn.
- Không vận hành dụng cụ điện cầm tay trong các môi trường dễ cháy nổ, như các môi trường có chất lỏng, khí hoặc bụi dễ cháy.** Dụng cụ điện cầm tay tạo ra các tia lửa điện có thể gây cháy bụi hoặc bốc khói.
- Không cho trẻ em và những người không liên quan lại gần khi đang vận hành dụng cụ điện cầm tay.** Những lúc xao lãng có thể khiến bạn mất kiểm soát.

2) AN TOÀN ĐIỆN

- a) **Phích cắm của dụng cụ điện cầm tay phải vừa với ổ cắm. Không được sửa đổi phích cắm dưới bất kỳ hình thức nào. Không được sử dụng các phích cắm tiếp hợp với những dụng cụ điện cầm tay có nối đất. Phích cắm không sửa chữa và ổ cắm phù hợp sẽ giảm nguy cơ bị điện giật.**
- b) **Tránh tiếp xúc với các bề mặt được nối đất như đường ống, lò sưởi, bếp nướng và tủ lạnh. Nguy cơ bị điện giật sẽ cao hơn nếu cơ thể bạn nối đất.**
- c) **Không để dụng cụ điện cầm tay trong những điều kiện ẩm ướt hoặc ngâm nước mưa. Nước vào trong dụng cụ điện cầm tay sẽ làm tăng nguy cơ bị điện giật.**
- d) **Không sử dụng dây điện vào các mục đích khác. Tuyệt đối không sử dụng dây điện để mang, kéo hoặc rút phích cắm dụng cụ điện cầm tay. Để dây điện cách xa nguồn nhiệt, dầu mỡ, các cạnh sắc hoặc các bộ phận chuyển động. Dây điện bị hỏng hoặc bị vướng sẽ làm tăng nguy cơ bị điện giật.**
- e) **Khi vận hành dụng cụ điện cầm tay ngoài trời, hãy sử dụng dây nối dài phù hợp để sử dụng ngoài trời. Sử dụng dây điện phù hợp để sử dụng ngoài trời sẽ giảm nguy cơ bị điện giật.**
- f) **Nếu bắt buộc phải vận hành dụng cụ điện cầm tay ở nơi ẩm ướt, hãy sử dụng nguồn được bảo vệ bởi thiết bị ngắt mạch tự động (RCD). Sử dụng RCD giúp giảm nguy cơ bị điện giật.**

3) AN TOÀN CÁ NHÂN

- a) **Hãy tập trung, chú ý vào những gì bạn đang làm và tỉnh táo khi vận hành dụng cụ điện cầm tay. Không được sử dụng dụng cụ điện cầm tay khi bạn đang mệt hoặc uống rượu bia, sử dụng ma túy hoặc chất kích thích. Một khoảnh khắc mất tập trung trong khi vận hành dụng cụ điện cầm tay có thể gây chấn thương cá nhân nghiêm trọng.**
- b) **Sử dụng các thiết bị bảo hộ cá nhân. Luôn đeo kính bảo hộ. Thiết bị bảo hộ như mặt nạ chống bụi; giày chống trượt, mũ cứng; hoặc thiết bị bảo vệ tai nếu được sử dụng ở những điều kiện phù hợp sẽ giúp giảm các chấn thương cá nhân.**
- c) **Tránh bật máy không chủ định. Đảm bảo rằng công tắc ở vị trí tắt trước khi nối với nguồn điện và/hoặc pin, khi cầm hoặc**

mang dụng cụ. Việc cầm dụng cụ điện cầm tay khi ngón tay đặt vào công tắc hoặc sạc pin cho dụng cụ điện cầm tay khi công tắc đang bật có thể gây tai nạn.

- d) **Hãy tháo hết khóa điều chỉnh hoặc cờ lê trước khi bật dụng cụ điện cầm tay. Cờ lê hoặc khóa vẫn để ở bộ phận quay của dụng cụ điện cầm tay có thể dẫn đến chấn thương cá nhân.**
- e) **Không được với tay. Hãy đứng ở tư thế thích hợp và luôn giữ thăng bằng. Điều đó giúp kiểm soát dụng cụ điện cầm tay tốt hơn trong các tình huống không thể lường trước.**
- f) **Mặc quần áo phù hợp. Không mặc quần áo rộng hoặc đeo đồ trang sức. Giữ cho tóc, quần áo và găng tay tránh xa khỏi các bộ phận chuyển động. Quần áo rộng, đồ trang sức hoặc tóc dài có thể bị vướng vào các bộ phận chuyển động.**
- g) **Nếu các dụng cụ được cung cấp để nối các phương tiện hút hoặc gom bụi, hãy đảm bảo những dụng cụ này được nối và sử dụng đúng cách. Sử dụng thiết bị hút bụi có thể giảm các nguy cơ do bụi gây ra.**

4) SỬ DỤNG VÀ BẢO QUẢN DỤNG CỤ ĐIỆN CẦM TAY

- a) **Sử dụng dụng cụ điện cầm tay phù hợp. Sử dụng dụng cụ điện cầm tay phù hợp cho ứng dụng của bạn. Dụng cụ điện cầm tay phù hợp sẽ giúp cho công việc được thực hiện tốt hơn và an toàn hơn theo đúng tốc độ thiết kế.**
- b) **Không sử dụng dụng cụ điện cầm tay nếu công tắc không bật và tắt được. Những dụng cụ điện cầm tay không điều khiển được bằng công tắc đều rất nguy hiểm và cần phải được sửa chữa.**
- c) **Rút phích cắm dụng cụ điện cầm tay khỏi nguồn điện và/hoặc pin trước khi thực hiện điều chỉnh, thay phụ kiện hoặc cất giữ dụng cụ. Các biện pháp an toàn phòng ngừa này giúp giảm nguy cơ vô tình khởi động dụng cụ điện cầm tay.**
- d) **Bảo quản các dụng cụ điện cầm tay không sử dụng tránh xa tầm tay trẻ em và không cho phép những người không quen với dụng cụ điện cầm tay hoặc những hướng dẫn này vận hành dụng cụ điện cầm tay. Dụng cụ điện cầm tay sẽ rất nguy hiểm khi được những người không có kinh nghiệm sử dụng.**

- e) **Bảo trì dụng cụ điện cầm tay. Kiểm tra các bộ phận chuyển động xem có bị lắp lệch hoặc kẹt không, các bộ phận có bị vỡ không và bất kỳ tình trạng nào khác có thể ảnh hưởng đến việc vận hành dụng cụ điện cầm tay. Nếu dụng cụ điện cầm tay bị hỏng, hãy sửa chữa trước khi sử dụng.** Rất nhiều tai nạn xảy ra do công tác bảo trì các dụng cụ điện cầm tay kém.
- f) **Đảm bảo các dụng cụ cắt luôn sắc và sạch sẽ.** Các dụng cụ cắt được bảo trì đúng cách với các cạnh cắt sắc sẽ ít bị kẹt hơn và dễ điều khiển hơn.
- g) **Sử dụng dụng cụ điện cầm tay, các phụ kiện và mũi khoan... theo các chỉ dẫn này, chú ý đến điều kiện làm việc và công việc cần thực hiện.** Việc sử dụng dụng cụ điện cầm tay cho các mục đích khác có thể dẫn đến tình huống nguy hiểm.

5) BẢO DƯỠNG

- a) **Hãy mang dụng cụ điện cầm tay đi bảo dưỡng bởi nhân viên bảo dưỡng có chuyên môn, chỉ sử dụng các phụ kiện thay thế chính hãng.** Điều này giúp đảm bảo an toàn của dụng cụ điện cầm tay đó.

CÁC QUY TẮC AN TOÀN CỤ THỂ BỔ SUNG

Chỉ dẫn an toàn cho mọi hoạt động

- a) **Dụng cụ điện cầm tay này được thiết kế để hoạt động như máy mài nhẵn, máy chà nhám, máy chà ri, máy đánh bóng hoặc dụng cụ cắt. Đọc kỹ mọi cảnh báo an toàn, hướng dẫn, minh họa và thông số kỹ thuật đi kèm theo dụng cụ điện cầm tay này.** Nếu không tuân theo tất cả các hướng dẫn được liệt kê bên dưới có thể dẫn đến điện giật, cháy và/hoặc chấn thương nghiêm trọng.
- b) **Không sử dụng các phụ kiện không được thiết kế chuyên biệt và không được nhà sản xuất dụng cụ khuyến dùng.** Chính bởi vì có thể gắn phụ kiện vào dụng cụ điện cầm tay, nên không đảm bảo nó sẽ vận hành an toàn.
- c) **Tốc độ định mức của phụ kiện tối thiểu phải bằng với tốc độ tối đa được ghi trên dụng cụ điện cầm tay.** Các phụ kiện chạy nhanh hơn tốc độ định mức của chúng có thể vỡ và văng ra xa.
- d) **Đường kính ngoài và độ dày của phụ kiện phải nằm trong định mức kích cỡ của dụng cụ điện cầm tay.** Các phụ kiện có kích cỡ không chính xác không thể được bảo vệ hoặc kiểm soát thích đáng.
- e) **Kích thước tâm của đĩa, mặt bích, các miếng đỡ sau hoặc các phụ kiện khác phải ăn khớp với trục chính của dụng cụ điện cầm tay.** Các phụ kiện có lỗ tâm không khớp với vòng gá của dụng cụ điện cầm tay sẽ gây mất cân bằng, rung quá mức và có thể gây mất kiểm soát.
- f) **Không sử dụng phụ kiện đã hỏng. Trước khi dùng phải kiểm tra phụ kiện như đĩa mài có bị mòn không, có bị nứt, có mặt không, bạc lót có bị nứt, rách hoặc mòn quá không, chổi chà ri có bị lỏng hay sợi kim loại có bị gãy không. Nếu để rơi dụng cụ điện cầm tay, phải kiểm tra dụng cụ có bị hỏng không và lắp lại phần phụ kiện chưa bị hỏng.** Sau khi kiểm tra và lắp phụ kiện, bạn và những người quan sát nên đứng tránh xa mặt phẳng quay của phụ kiện và chạy dụng cụ điện cầm tay ở tốc độ không tải tối đa trong một phút. Các phụ kiện bị hỏng thường sẽ vỡ thành từng mảnh trong thời gian chạy thử này.
- g) **Luôn mang thiết bị bảo hộ cá nhân. Tùy thuộc vào ứng dụng, sử dụng tấm che mặt, kính bảo hộ hoặc kính an toàn. Nếu có thể, đeo mặt nạ chống bụi, dụng cụ bảo vệ tai, găng tay và tạp dề công nhân có khả năng cản các mảnh vỡ của phiôi gia công hoặc mảnh vụn mài nhỏ.** Dụng cụ bảo vệ mắt phải có khả năng cản các mảnh vụn văng ra được tạo ra từ nhiều hoạt động khác nhau. Mặt nạ chống bụi hoặc khẩu trang phải có khả năng lọc các hạt phát sinh từ quá trình vận hành. Tiếp xúc với tiếng ồn cường độ cao trong thời gian dài có thể dẫn đến mất thính lực.
- h) **Đảm bảo những cá nhân không liên quan luôn cách khu vực làm việc một khoảng cách an toàn. Bất kỳ người nào vào khu vực làm việc phải mang thiết bị bảo vệ cá nhân.** Các mảnh vụn phiôi gia công hoặc phụ kiện vỡ, hỏng có thể bay qua và gây chấn thương ngay trong khu vực vận hành.
- i) **Chỉ cầm dụng cụ điện cầm tay ở phần bề mặt tay cầm cách điện khi thực hiện thao tác mà phụ kiện cắt có thể tiếp xúc với hệ thống dây điện chìm hoặc dây điện của chính dụng cụ. Phụ kiện cắt tiếp xúc với dây**

điện "có điện" có thể truyền điện cho các bộ phận kim loại hồ của dụng cụ điện cầm tay và có thể khiến nhân viên vận hành bị điện giật.

- j) **Đặt dây điện cách xa phụ kiện đang quay.** Nếu bạn mất kiểm soát, dây điện có thể bị cắt hoặc bị vướng vào và bàn tay hoặc cánh tay của bạn có thể bị cuốn vào phụ kiện đang quay.
- k) **Tuyệt đối không đặt dụng cụ điện cầm tay xuống cho đến khi phụ kiện đã dừng hẳn.** Phụ kiện quay có thể găm vào bề mặt và kéo dụng cụ điện cầm tay ra khỏi tầm kiểm soát của bạn.
- l) **Không vận hành dụng cụ điện cầm tay khi đang xách bên mình.** Vô tình tiếp xúc với phụ kiện đang quay có thể làm quần áo bị vướng vào, kéo phụ kiện vào người.
- m) **Thường xuyên vệ sinh lau chùi các lỗ thông khí trong dụng cụ điện cầm tay.** Quạt của động cơ sẽ hút bụi bên trong vỏ dụng cụ và để bột kim loại tích lũy quá nhiều có thể gây ra nguy hiểm về điện.
- n) **Không vận hành dụng cụ điện cầm tay gần các vật liệu dễ cháy.** Tia lửa có thể làm các vật liệu này bốc cháy.
- o) **Không sử dụng các phụ kiện cần có chất làm mát dạng lỏng.** Sử dụng nước hoặc chất làm mát dạng lỏng khác có thể dẫn đến bị điện giật hoặc sốc điện.

hoặc các điều kiện khác và có thể phòng tránh được bằng cách đề phòng như sau:

- a) **Cầm chắc dụng cụ điện cầm tay làm việc đồng thời định vị người và tay để bạn có thể cầm được lực giật lại. Luôn sử dụng tay cầm phụ, nếu có, để kiểm soát tối đa lực giật lại hoặc phản lực mômen trong quá trình khởi động.** Người vận hành có thể kiểm soát phản lực mô men xoắn hoặc lực giật lại nếu thực hiện các biện pháp phòng ngừa thích hợp.
- b) **Tuyệt đối không đặt tay gần phụ kiện đang quay.** Phụ kiện có thể giật lại vào tay bạn.
- c) **Không đứng trong khu vực mà dụng cụ điện cầm tay có thể sẽ chuyển động tới khi xảy ra hiện tượng giật lại.** Lực giật lại sẽ đẩy dụng cụ theo hướng ngược lại với hướng chuyển động của đĩa tại điểm bị kẹt.
- d) **Đặc biệt cẩn thận khi làm việc với các góc, các mép sắc nhọn... Tránh nhổ hoặc hất phụ kiện dụng cụ.** Các góc, cạnh sắc hoặc gờ nổi có xu hướng làm kẹt phụ kiện đang quay và gây mất kiểm soát hoặc tạo lực giật lại.
- e) **Không gắn lưỡi cưa khắc gỗ dạng xích hoặc lưỡi cưa có răng.** Những lưỡi cưa này thường xuyên tạo ra lực giật lại và gây mất kiểm soát.

CHỈ DẪN AN TOÀN BỔ SUNG CHO MỌI HOẠT ĐỘNG

Nguyên nhân và Đề phòng hiện tượng Đẩy ngược người vận hành

Lực giật lại là phản lực bất ngờ của đĩa mài, miếng đỡ sau, chổi than hoặc bất kỳ phụ kiện đang quay nào khác bị kẹt hoặc bị vướng. Phụ kiện đang quay bị kẹt hoặc bị vướng có thể ngừng lại quá nhanh, kết quả là khiến cho dụng cụ điện cầm tay mất kiểm soát bị bật ngược lại so với hướng quay của phụ kiện tại điểm kẹt.

Ví dụ: nếu đĩa mài bị vướng hoặc bị kẹt vào phôi gia công, cạnh của đĩa mài đang vào điểm kẹt có thể cắm sâu vào bề mặt của vật liệu khiến cho đĩa mài này lên hoặc văng ra. Đĩa có thể nảy ra xa hoặc về phía người vận hành, tùy thuộc vào hướng di chuyển của đĩa ở điểm kẹt. Đĩa mài cũng có thể vỡ ra trong điều kiện này.

Lực giật lại là hậu quả của việc sử dụng máy sai quy cách và/hoặc quy trình vận hành không đúng

Cảnh báo an toàn cụ thể cho hoạt động mài và mài cắt

- a) **Chỉ sử dụng loại đĩa mài được khuyến dùng cho dụng cụ điện cầm tay của bạn và vành chắn riêng được thiết kế cho đĩa mài đã chọn.** Đĩa mài không được thiết kế cho dụng cụ điện cầm tay này sẽ không được bảo vệ thích đáng và không an toàn.
- b) **Vành chắn phải được gắn chắc chắn vào dụng cụ điện cầm tay và định vị để đảm bảo an toàn tối đa, sao cho phần bánh mài lộ ra ngoài hướng về người vận hành là nhỏ nhất.** Vành chắn giúp bảo vệ người vận hành khỏi bị mảnh vụn của đĩa vỡ văng trúng và tránh vô tình tiếp xúc với đĩa.
- c) **Chỉ sử dụng đĩa mài cho các ứng dụng được khuyến nghị.** Ví dụ: không mài bằng cạnh của đĩa cắt. Đĩa cắt được sử dụng để mài cạnh biên; lực bên tác dụng vào các đĩa mài này có thể làm cho đĩa mài bị vỡ.
- d) **Luôn sử dụng mặt bích đĩa mài còn tốt, có kích thước và hình dạng phù hợp với**

đĩa mài đã chọn. Mặt bích đĩa phù hợp sẽ đỡ được đĩa mài, do đó làm giảm nguy cơ vỡ đĩa. Mặt bích cho đĩa cắt có thể khác với mặt bích đĩa mài nhẵn.

- e) **Không sử dụng đĩa mài đã mòn của các dụng cụ điện cầm tay lớn hơn.** Đĩa mài được sử dụng cho dụng cụ điện cầm tay lớn không thích hợp với tốc độ cao hơn của dụng cụ nhỏ và có thể bị vỡ.

Cảnh báo an toàn cụ thể cho hoạt động chà nhám

- a) **Không sử dụng giấy ráp vượt quá kích thước yêu cầu.** Tuân thủ các khuyến nghị của nhà sản xuất, khi chọn giấy ráp. Giấy ráp lớn hơn sẽ vượt ra ngoài tấm gắn giấy ráp, dẫn tới có nguy cơ bị rách giấy ráp và có thể gây kẹt, rách đĩa hoặc gây lực giật lại.

Cảnh báo an toàn cụ thể cho hoạt động mài nhẵn

- a) **Không để bộ phận lỏng của dụng cụ mài nhẵn hoặc các dây phụ kiện của dụng cụ quay tự do.** Tháo hoặc cắt các dây bị rơi ra. Các dây bị rơi ra và đang quay có thể vướng vào tay bạn hoặc chạm vào phi gia công.

Cảnh báo an toàn cụ thể cho hoạt động chà ri

- a) **Chú ý rằng các sợi kim loại có thể bị rơi ra khỏi chổi ngay cả trong quá trình vận hành bình thường.** Không gây lực quá mạnh vào các sợi kim loại bằng cách tác dụng lực tải quá lớn lên chổi. Các sợi kim loại có thể dễ dàng xuyên qua da và/hoặc quần áo mỏng.
- b) **Nếu cần sử dụng vành chắn khi chà ri, không được phép để đĩa hoặc chổi tiếp xúc với vành chắn.** Đĩa hoặc chổi có thể mở rộng đường kính do lực tải hoặc lực ly tâm.

Các quy tắc an toàn khác cho Máy mài

- Việc gắn ren các phụ kiện phải khớp với ren của trục chính máy mài. Đối với các phụ kiện gắn bằng mặt bích, lỗ tâm của phụ kiện phải vừa với đường kính định vị của mặt bích. Các phụ kiện không khớp với vòng gá của dụng cụ điện cầm tay sẽ gây mất cân bằng, rung quá mức và có thể gây mất kiểm soát.
- Bề mặt mài của đĩa lõm tâm phải được gắn bên dưới mặt miệng vành chắn. Đĩa nhô ra qua mặt miệng vành chắn nếu không được lắp đúng cách sẽ không được bảo vệ một cách tốt nhất.
- **Không sử dụng đĩa loại 11 (hình chấu côn) trên dụng cụ này.** Sử dụng phụ kiện không phù hợp có thể gây chấn thương.

Cảnh báo an toàn cụ thể khác cho các hoạt động mài cắt

- a) **Không "kẹp chặt" đĩa cắt hoặc tác dụng lực quá lớn.** Không cố tạo ra vết cắt quá sâu. Ấn đĩa quá mạnh sẽ tăng lực tải và dễ làm xoắn hoặc kẹt đĩa vào vết cắt cũng như có thể gây ra lực giật lại hoặc vỡ đĩa.
- b) **Không đứng thẳng hàng hoặc phía sau đĩa đang quay.** Khi đĩa đang vận hành dịch chuyển ra xa bạn, lực giật lại tiềm ẩn có thể đẩy đĩa đang quay hoặc dụng cụ điện cầm tay hướng thẳng vào bạn.
- c) **Khi đĩa bị kẹt hoặc ngừng cắt vì lý do nào đó, hãy ngắt điện dụng cụ và giữ dụng cụ đứng yên cho đến khi đĩa dừng hẳn.** Tuyệt đối không cố rút đĩa cắt ra khỏi vết cắt khi đĩa còn đang chuyển động, nếu không có thể làm phát sinh lực giật lại. Kiểm tra và tiến hành khắc phục để loại bỏ nguyên nhân gây kẹt đĩa.
- d) **Không bắt đầu lại hoạt động cắt trên phi gia công.** Hãy đợi đĩa đạt tốc độ tối đa và cẩn thận đặt lại vào vết cắt. Đĩa có thể bị kẹt, nảy lên hoặc giật lại nếu dụng cụ điện cầm tay được khởi động lại trên phi gia công.
- e) **Đỡ các tấm hoặc bất kỳ phi gia công nào quá cỡ để giảm thiểu nguy cơ kẹt đĩa và lực giật lại.** Phi gia công lớn có xu hướng lún xuống dưới trọng lượng của chính nó. Tấm đỡ phải được đặt dưới phi gia công gần đường cắt hoặc gần rìa của phi gia công ở cả hai bên của đĩa.
- f) **Hãy sử dụng thêm cảnh báo khác khi thực hiện "rãnh cắt" lên các bức tường hiện có hoặc khu vực không nhìn thấy khác.**
Đĩa nhô ra có thể cắt vào các đường ống ga hoặc đường ống nước, đường dây điện hoặc những vật có thể gây ra lực giật lại.

- **Luôn sử dụng tay cầm bên. Vặn chặt tay cầm.** Luôn sử dụng tay cầm bên để duy trì được khả năng kiểm soát dụng cụ mọi lúc.

Các nguy cơ còn lại

Kể cả việc áp dụng các quy tắc an toàn liên quan và dùng các thiết bị an toàn cũng không thể tránh được một số nguy cơ còn lại. Những nguy cơ này gồm:

- Suy giảm thính lực.
- Nguy cơ chấn thương cá nhân do các hạt bay vào người.
- Nguy cơ bị bỏng do các phụ kiện trở nên nóng trong khi vận hành.
- Nguy cơ chấn thương cá nhân do sử dụng trong thời gian dài.
- Nguy cơ hít phải bụi từ các chất độc hại.

Ký hiệu trên máy

Trên máy có các ký hiệu sau:



Đọc kỹ hướng dẫn sử dụng trước khi dùng.



Mang thiết bị bảo vệ mắt.

VỊ TRÍ MÃ NGÀY (HÌNH 1)

Mã ngày (p), bao gồm cả năm sản xuất, được in trên vỏ máy.

Ví dụ:

2012 XX XX

Năm sản xuất

Thiết bị trong hộp

Hộp sản phẩm bao gồm:

- 1 máy mài góc
- 1 vành chắn
- 1 tay cầm bên
- 1 bộ mặt bích
- 1 khóa đầu lục giác (DWE8210S)
- 1 cờ lê (DWE8200S, DWE8200T, DWE8200PL)
- 1 hướng dẫn sử dụng

- Kiểm tra dụng cụ, các bộ phận hoặc phụ kiện xem có bị hư hỏng do quá trình vận chuyển hay không.
- Dành thời gian đọc kỹ và hiểu rõ hướng dẫn sử dụng trước khi vận hành máy.

Mô tả (hình 1)



CẢNH BÁO: Không chỉnh sửa dụng cụ điện cầm tay hay bất kỳ bộ phận nào của máy. Việc chỉnh sửa có thể làm hỏng máy hoặc gây chấn thương cá nhân.

- a. Nút khóa trục chính
- b. Trục chính
- c. Tay cầm bên
- d. Mặt bích đỡ sau
- e. Đai ốc kẹp có ren
- f. Vành chắn
- g. Công tắc trượt (DWE8200S & DWE8210S)
- g1. Công tắc đảo chiều (DWE8200T)
- g2. Nút khóa công tắc (DWE8200PL & DWE8210PL)
- g3. Công tắc bật tắt (DWE8200PL & DWE8210PL)

MỤC ĐÍCH SỬ DỤNG

Các máy mài góc nhỏ DWE8200S, DWE8200T, DWE8200PL, DWE8210S, DWE8210PL được thiết kế cho các ứng dụng chuyên nghiệp như mài, chà nhám, chà rì, mài nhẵn và cắt.

KHÔNG ĐƯỢC sử dụng loại đĩa mài nào khác ngoài đĩa lõm tâm và đĩa nhám xếp.

KHÔNG ĐƯỢC sử dụng máy ở những nơi ẩm ướt hoặc có chất lỏng hoặc khí dễ cháy.

Loại máy mài góc công suất lớn này là dụng cụ điện cầm tay chuyên nghiệp.

KHÔNG ĐƯỢC để trẻ em lại gần dụng cụ. Cần phải có người giám sát khi dụng cụ này được vận hành bởi người chưa có kinh nghiệm.

- Không cho phép những người (bao gồm cả trẻ em) bị suy giảm năng lực thể chất, trí tuệ hoặc cảm giác, hay người thiếu kinh nghiệm, kiến thức hoặc kỹ năng sử dụng dụng cụ điện cầm tay này, trừ khi có sự giám sát của người chịu trách nhiệm về vấn đề an toàn của họ. Không được để trẻ em một mình với sản phẩm này.

An toàn điện

Động cơ điện chỉ được thiết kế với một mức điện áp. Luôn kiểm tra xem nguồn điện có tương ứng với điện thế trên tấm ghi thông số định mức hay không.



Do dụng cụ này được cách điện kép nên không cần dây nối đất. Luôn kiểm tra

xem nguồn điện có tương ứng với điện thế trên tấm ghi thông số định mức.

Nếu dây điện bị hỏng, phải thay bằng dây mới được cung cấp riêng tại các cơ sở bảo dưỡng của DEWALT.

Sử dụng dây điện nối dài

Nếu cần dây điện nối dài, hãy sử dụng loại dây 3 lõi được chấp nhận là phù hợp cho dụng cụ này (xem phần Thông số kỹ thuật). Kích thước dây dẫn tối thiểu là 1,5 mm²; chiều dài tối đa là 30 m.

Khi sử dụng dây điện cuộn, luôn duỗi thẳng dây điện hoàn toàn.

LẮP RÁP VÀ ĐIỀU CHỈNH



CẢNH BÁO: Để giảm nguy cơ chấn thương cá nhân nghiêm trọng, hãy tắt máy và ngắt kết nối khỏi nguồn điện trước khi thực hiện bất kỳ điều chỉnh nào hoặc tháo/lắp các đồ gá hoặc phụ kiện. Trước khi cắm lại máy, hãy bấm và nhả công tắc khởi động để đảm bảo máy đã tắt.

Gắn tay cầm bên (hình 1)



CẢNH BÁO: Trước khi sử dụng dụng cụ, kiểm tra xem tay cầm đã được gắn chặt chưa.

Bắt vít tay cầm bên (c) chặt vào một trong các lỗ trên mặt bên của hộp tốc độ. Luôn sử dụng tay cầm bên để duy trì được khả năng kiểm soát dụng cụ mọi lúc.

Phụ kiện và đồ gá

Cần chọn loại vành chắn, miếng đỡ sau và mặt bích phù hợp để sử dụng với các phụ kiện máy mài. Xem biểu đồ ở cuối phần này để biết thông tin về cách chọn các phụ kiện phù hợp.

Lưu ý: Có thể tiến hành cắt và mài góc bằng đĩa loại 27 được thiết kế riêng cho mục đích sử dụng này.



CẢNH BÁO: Các phụ kiện phải có tốc độ định mức ít nhất là bằng tốc độ được khuyến nghị trên nhãn cảnh báo của công cụ. Các loại đĩa và phụ kiện khác hoạt động quá tốc độ định mức có thể bị vỡ và gây chấn thương. Các phụ kiện có ren phải có trục tâm M10 (đối với DWE8200T, DWE8200S, DWE8200PL)

hoặc trục tâm M14 (đối với DWE8210S, DWE8210PL). Mọi phụ kiện không có ren phải có kích thước lỗ tâm là 22mm. Nếu không, các phụ kiện đó không phải được thiết kế để cắt tròn và không được sử dụng. Chỉ sử dụng các phụ kiện có trong biểu đồ ở cuối phần này. Các thông số định mức của phụ kiện phải cao hơn tốc độ đĩa tối thiểu được ghi trên tấm ghi thông số của máy.

Gắn vành chắn (hình 2)

CẢNH BÁO: Để giảm nguy cơ chấn thương cá nhân nghiêm trọng, hãy tắt máy và ngắt kết nối khỏi nguồn điện trước khi thực hiện bất kỳ điều chỉnh nào hoặc tháo/lắp các đồ gá hoặc phụ kiện. Trước khi cắm lại máy, hãy bấm và nhả công tắc khởi động để đảm bảo máy đã tắt.



CẢN THẬN: Máy mài này bắt buộc phải sử dụng vành chắn.

Khi sử dụng máy mài DWE8200S hoặc DWE8200T hoặc DWE8210S hoặc DWE8200P để cắt kim loại hoặc tường, bê tông, PHẢI sử dụng vành chắn loại 1. Có thể mua vành chắn loại 1 ở các đại lý phân phối sản phẩm DEWALT.

LƯU Ý: Vui lòng xem Biểu đồ phụ kiện mài và cắt ở cuối phần này để biết các phụ kiện có thể được sử dụng kèm các loại máy mài này.

GẮN VÀNH CHẮN ĐÓNG (LOẠI 1) HOẶC TIÊU CHUẨN (LOẠI 27)



CẢN THẬN: Tắt và rút nguồn dụng cụ trước khi điều chỉnh hoặc tháo hoặc lắp đồ gá hoặc phụ kiện. Trước khi cắm lại máy, hãy bật và tắt công tắc khởi động để đảm bảo máy đã tắt.

Lắp các đĩa có trục tâm lên trục chính M10 (DWE8200T, DWE8200S, DWE8200PL), M14 (DWE8210S, DWE8210PL). Ren của phụ kiện phải khớp với ren của trục chính.

1. Nới lỏng vít cho đến khi vòng kẹp vành chắn (k) có thể quay tự do trong rãnh (j) trên trục tâm của hộp tốc độ.
2. Xoay vành chắn (1) vào vị trí làm việc mong muốn. Phải đặt thân vành chắn ở giữa trục chính và người vận hành để có thể bảo vệ người vận hành ở mức tối đa.
3. Vặn chặt vít để gắn chặt vành chắn lên vỏ hộp tốc độ. (Mô men xoắn không nhỏ hơn 2,5 N-M). Sao cho người vận hành không thể xoay vành chắn bằng tay. Không vận hành máy mài

khí vành chắn bị lỏng.

- Để tháo vành chắn, nới lỏng vít và kéo vành chắn lên trên.



CẢN THẬN: Việc không lắp đĩa đúng cách trước khi bật máy có thể làm hỏng máy hoặc đĩa.

Lắp và tháo đĩa mài hoặc cắt (hình 1,4,5)



CẢNH BÁO: Không sử dụng đĩa bị hỏng.

- Đặt máy lên bàn và lắp vành chắn.
- Lắp mặt bích đỡ sau (d) đúng cách lên trục chính (b) (hình 4).
- Đặt đĩa (n) lên mặt bích đỡ sau (d). Khi lắp đĩa có lỗ tâm nhô ra, đảm bảo rằng lỗ tâm nhô ra (l) quay về phía mặt bích đỡ sau (d).
- Vặn đai ốc kẹp có ren (e) lên trục chính (b) (hình 5):
 - Vòng trên đai ốc kẹp có ren (e) phải quay về phía đĩa khi lắp đĩa mài (hình 5A);
 - Vòng trên đai ốc kẹp có ren (e) phải quay về phía đối diện với đĩa khi lắp đĩa cắt (hình 5B).
- Nhấn nút khóa trục chính (a) và quay trục chính (b) cho tới khi trục khóa chặt lại.
- Dùng cờ lê hoặc khóa hình lục giác để vặn chặt đai ốc kẹp có ren (e)
- Tháo khóa trục chính ra.
- Để tháo đĩa, dùng cờ lê hoặc khóa hình lục giác để nới lỏng đai ốc kẹp có ren (e).

LƯU Ý: Có thể sử dụng đĩa loại 27 được thiết kế riêng để mài và cắt cạnh; loại đĩa dày 6 mm được thiết kế để mài mặt, còn loại đĩa 3 mm được thiết kế để mài cạnh. Cũng có thể sử dụng đĩa loại 1 và vành chắn loại 1 để cắt.

Đường kính của đĩa mài hoặc cắt được khuyến nghị cho dụng cụ này là 100mm (DWE8200S, DWE8200T, DWE8200PL) hoặc 125mm (DWE8210S, DWE8210PL).

Gắn chổi chà rí hoặc đĩa chà rí

Bắt vít chổi chà rí hoặc đĩa chà rí trực tiếp lên trục chính của máy mài mà không cần sử dụng mặt bích. Chỉ sử dụng chổi hoặc đĩa chà rí được cung cấp với trục tâm có ren M10 (DWE8200S & DWE8200T & DWE8200PL) hoặc

M14(DWE8210S, DWE8210PL). Cần sử dụng vành chắn loại 27 khi sử dụng chổi và đĩa chà rí.



CẢN THẬN: Mang găng tay bảo hộ khi làm việc với chổi và đĩa chà rí. Chúng có thể rất sắc.



CẢN THẬN: Không được để đĩa hoặc chổi chạm vào vành chắn sau khi gắn hoặc trong khi sử dụng. Có thể xảy ra hư hỏng khó phát hiện đối với phụ kiện, làm các sợi kim loại của đĩa hoặc chổi bị gãy vụn.

- Dùng tay vận đĩa có ren vào trục chính.
- Ấn nút khóa trục chính và dùng cờ lê để vặn chặt đĩa lên trục tâm của đĩa hoặc chổi chà rí.
- Để tháo đĩa, làm ngược lại quy trình bên trên.

LƯU Ý: Việc không lắp trục tâm trên đĩa đúng cách trước khi bật máy có thể làm hỏng máy hoặc đĩa.

Đường kính của chổi chà rí và đĩa chà rí được khuyến nghị cho dụng cụ này là 100MM (DWE8200S, DWE8200T, DWE8200PL) hoặc 125MM (DWE8210S, DWE8210PL).

Lắp và tháo miếng đỡ sau/tám chà nhám

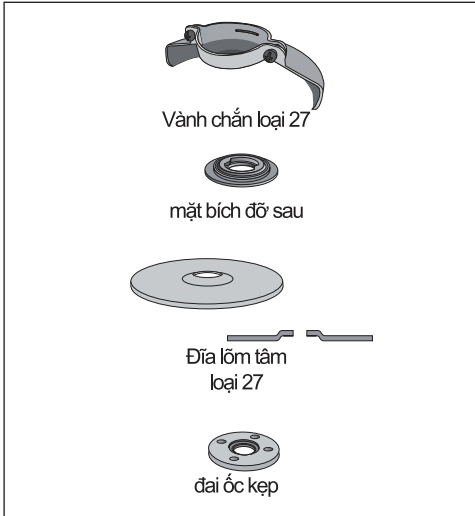
- Đặt máy lên bàn hoặc bề mặt phẳng sao cho vành chắn hướng lên trên.
- Tháo mặt bích đỡ sau (d).
- Đặt miếng cao su đỡ sau lên trục chính (b).
- Đặt tám chà nhám lên miếng cao su đỡ sau.
- Vặn đai ốc kẹp có ren (e) lên trục chính. Vòng trên đai ốc kẹp có ren phải hướng về phía miếng cao su đỡ sau.
- Nhấn nút khóa trục chính (a) và quay trục chính (b) cho tới khi trục khóa chặt lại.
- Dùng khóa hình lục giác hoặc cờ lê hai chân vặn chặt đai ốc kẹp có ren (e).
- Tháo khóa trục chính ra.
- Để tháo miếng cao su đỡ sau, dùng khóa hình lục giác hoặc cờ lê hai chân nới lỏng đai ốc kẹp có ren (e).

Đường kính của miếng đỡ sau/tám chà nhám được khuyến nghị cho dụng cụ này là 100mm (DWE8200S, DWE8200T, DWE8200PL) hoặc 125mm (DWE8210S, DWE8210PL).

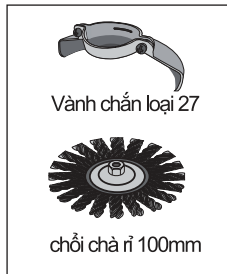
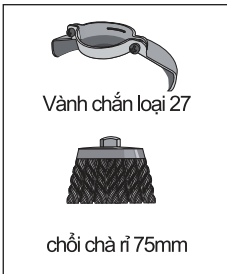
Lắp chổi chà ri

Bắt vít chổi chà ri trực tiếp lên trục chính mà không cần sử dụng miếng đệm và mặt bích có ren.

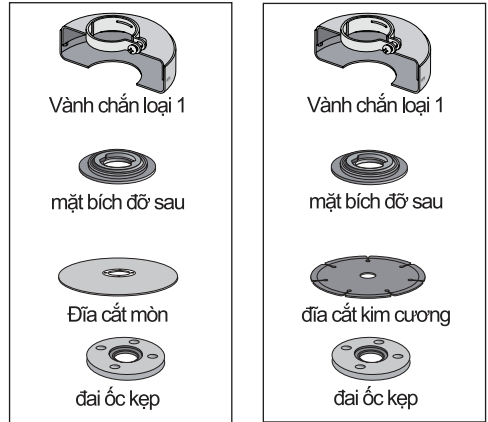
Đĩa mài 100mm



Đĩa chà ri



Đĩa cắt 100mm



Đĩa nhám xếp 100mm



Trước khi vận hành

- Lắp vành chắn và loại đĩa phù hợp. Không sử dụng loại đĩa đã bị mòn quá mức.
- Đảm bảo các mặt bích bên trong và bên ngoài được gắn chính xác.
- Đảm bảo đĩa hoặc đĩa mài quay theo hướng mũi tên trên phụ kiện và dụng cụ.

VẬN HÀNH

Hướng dẫn Sử dụng



CẢNH BÁO: Luôn xem kĩ hướng dẫn an toàn và quy tắc được áp dụng.



CẢNH BÁO: Để giảm nguy cơ chấn thương cá nhân nghiêm trọng, hãy tắt máy và ngắt kết nối khỏi nguồn điện trước khi thực hiện bất kỳ điều chỉnh nào hoặc tháo/lắp các đồ gá hoặc phụ kiện. Trước khi cắm lại máy, hãy bấm và nhả công tắc khởi động để đảm bảo máy đã tắt.



CẢNH BÁO:

- Bảo quản các vật liệu nổi đất hoặc cắt đúng chỗ.
- Giữ chặt và đỡ phôi gia công. Dùng kẹp hay ê tô để giữ và đỡ phôi gia công trên bàn máy. Cần phải kẹp và đỡ chặt phôi gia công để tránh cho phôi chuyển động và khó kiểm soát. Việc phôi gia công chuyển động hoặc mất kiểm soát có thể gây nguy hiểm và gây chấn thương cá nhân.
- Chỉ tác dụng lực nhẹ lên dụng cụ. Không tác dụng lực ngang lên đĩa.
- Tránh quá tải. Nếu dụng cụ nóng quá, hãy để dụng cụ chạy ở điều kiện không tải trong một vài phút.

Vị trí tay phù hợp (hình 6)



CẢNH BÁO: Để giảm nguy cơ chấn thương cá nhân nghiêm trọng, LUÔN để tay ở vị trí phù hợp như trong hình vẽ.



CẢNH BÁO: Để giảm nguy cơ chấn thương cá nhân nghiêm trọng, LUÔN giữ chặt tay để tránh trường hợp bị giật lại đột ngột.

Vị trí tay phù hợp yêu cầu một tay đặt lên tay cầm bên (hình 1), còn tay kia đặt lên thân máy, như mô tả trong hình 6.

Các loại công tắc



CẢNH THẬN: Giữ chắc thân máy để có thể kiểm soát máy ngay từ khi khởi động, trong quá trình sử dụng và cho đến khi đĩa hoặc phụ kiện ngừng quay. Đảm bảo để đĩa dừng hoàn toàn trước khi đặt máy xuống.

LƯU Ý: Để giảm tình trạng máy chuyển động không theo mong muốn, không được bật hoặc tắt máy khi đang hoạt động có tải. Để cho máy mài chạy đến tốc độ tối đa trước khi chạm vào bề mặt phôi. Nâng máy lên khỏi bề mặt phôi trước khi tắt máy. Để máy dừng quay trước khi đặt máy xuống.

CÔNG TẮT TRƯỢT DWE8200S & DWE8210S (HÌNH 3)



CẢNH BÁO: Trước khi cắm máy vào nguồn điện, cần đảm bảo công tắc trượt ở vị trí tắt bằng cách ấn vào phần sau của công tắc và nhả ra. Đảm bảo công tắc trượt ở vị trí tắt như mô tả ở bên trên sau khi nguồn cấp điện vào máy bị gián đoạn, như lúc bật thiết bị ngắt mạch tự động, gạt cầu dao, vô tình rút phích cắm, hoặc mất điện. Nếu công tắc trượt ở vị trí bật khi nguồn điện được cấp lại, máy sẽ khởi động bất ngờ.

Để khởi động máy, trượt công tắc trượt (g) về phía trước máy. Để dừng máy, nhả tay ra khỏi công tắc trượt.

Để vận hành liên tục, trượt công tắc về phía trước máy và ấn phần phía trước của công tắc vào trong. Để dừng máy khi đang vận hành ở chế độ liên tục, ấn vào phần sau của công tắc trượt sau đó nhả ra.

CÔNG TẮC ĐUÔI DWE8200T (HÌNH 3)



CẢNH BÁO: Trước khi sử dụng dụng cụ, kiểm tra xem tay cầm đã được gắn chặt chưa.

Để bật máy, nâng nút (g1) lên vị trí "1", để tắt máy, ấn công tắc đảo chiều (g1) xuống vị trí "0".



CẢNH BÁO: Không bật hoặc tắt máy khi đang chạy có tải.

CÔNG TẮC BẬT TẮT DWE8200PL & DWE8210PL (FIG.3)

Để khởi động máy, ấn công tắc khóa (g2), sau đó ấn công tắc bật tắt (g3). Để dừng máy, nhả tay khỏi công tắc bật tắt (g3).

Khóa trục chính (hình 1)

Khóa trục chính (a) được cung cấp để ngăn không cho trục chính quay trong khi lắp hoặc tháo đĩa. Chỉ bật khóa khóa trục chính khi máy đã tắt, đã rút phích cắm khỏi nguồn điện, và khi máy đã dừng hẳn.

LƯU Ý: Để giảm nguy cơ gây hư hỏng cho máy, không bật khóa trục chính khi máy đang vận hành. Máy sẽ bị hỏng

và phụ kiện gá có thể văng ra gây chấn thương.

Để bật khóa, ấn nút khóa trục chính và quay trục chính cho đến khi không thể quay thêm được nữa.

Sử dụng đối với kim loại

Khi sử dụng máy đối với kim loại, nhớ lắp thiết bị ngắt mạch tự động (RCD) để tránh các nguy cơ điện dư do các mặt kim loại gây ra.

Nếu nguồn điện bị ngắt bởi RCD, hãy mang máy đến đại lý sửa chữa được ủy quyền của DEWALT.



CẢNH BÁO: Ở các điều kiện làm việc khắc nghiệt, bụi dẫn điện có thể tích tụ bên trong máy khi làm việc với kim loại. Tình trạng này có thể khiến lớp cách điện trong máy bị xuống cấp, gây ra nguy cơ bị điện giật.

Để tránh việc mặt kim loại tích tụ trong máy, hàng ngày người vận hành nên lau sạch các khe thông gió. Xem phần Bảo trì.

Sử dụng đĩa nhám xếp



CẢNH BÁO: Bụi kim loại tích tụ. Việc sử dụng đĩa nhám xếp trong thời gian dài trên kim loại có thể làm tăng nguy cơ bị điện giật. Để giảm nguy cơ này, hãy lắp RCD trước khi sử dụng và lau sạch các khe thông gió hàng ngày bằng cách thổi khí nén khô vào các khe thông gió theo các hướng dẫn bảo trì bên dưới.

BẢO TRÌ

Dụng cụ điện cầm tay của DEWALT được thiết kế để vận hành trong thời gian dài và ít phải bảo trì nhất. Máy vận hành liên tục theo ý muốn tùy thuộc vào việc bảo quản máy đúng cách và vệ sinh thường xuyên.



CẢNH BÁO: Để giảm nguy cơ chấn thương cá nhân nghiêm trọng, hãy tắt máy và ngắt kết nối khỏi nguồn điện trước khi thực hiện bất kỳ điều chỉnh nào hoặc tháo/lắp các đồ gá hoặc phụ kiện. Trước khi cắm lại máy, hãy bấm và nhả công tắc khởi động để đảm bảo máy đã tắt.

Chổi than bị mòn

Động cơ sẽ tự động tắt khi chổi than sắp mòn và dụng cụ cần được bảo dưỡng. Người dùng không được tự ý bảo trì chổi than. Hãy mang dụng cụ tới đại lý sửa chữa được ủy quyền của DEWALT.



Tra dầu

Dụng cụ điện cầm tay này không cần tra thêm dầu.



Vệ sinh



CẢNH BÁO: Thường xuyên thổi bụi bắn khỏi vỏ dụng cụ khi thấy bám bụi xung quanh các khe thông gió. Đeo mặt nạ bảo vệ mắt và chống bụi theo quy định khi thực hiện quy trình này.



CẢNH BÁO: Tuyệt đối không sử dụng các dụng cụ môi và hóa chất thô để vệ sinh các bộ phận không làm bằng kim loại của dụng cụ. Các hóa chất này có thể làm tổn hại đến các nguyên vật liệu sử dụng trong các bộ phận này. Chỉ sử dụng khăn được làm ẩm bằng nước và xả phòng có tính tẩy nhẹ. Tuyệt đối không để chất lỏng lọt vào bên trong dụng cụ; không bao giờ ngâm các bộ phận của dụng cụ vào chất lỏng.

Các phụ kiện tùy chọn



CẢNH BÁO: Do các phụ kiện, không phải các phụ kiện do DEWALT cung cấp, chưa được kiểm nghiệm với sản phẩm này; nên việc sử dụng các phụ kiện đó với sản phẩm này có thể gây nguy hiểm. Để giảm nguy cơ chấn thương, chỉ được sử dụng các phụ kiện do DEWALT khuyến nghị cho sản phẩm này.

Hỏi ý kiến đại lý bạn để biết thêm thông tin về các phụ kiện phù hợp.

Bảo vệ môi trường



Thu gom riêng. Không được vứt bỏ sản phẩm này với rác thải gia đình thông thường.

Nếu sản phẩm DEWALT của bạn cần phải thay thế, hoặc bạn không sử dụng nó trong tương lai nữa, đừng thái bécùng với rác thải sinh hoạt. Sản phẩm phải được thu gom riêng.



Thu gom riêng sản phẩm đã qua sử dụng và đóng gói lại sẽ cho phép tái chế và tái sử dụng vật liệu. Tái sử dụng vật liệu tái chế giúp ngăn chặn ô nhiễm môi trường và giảm nhu cầu vật liệu thô.

Luật lệ địa phương có thể quy định việc thu gom riêng các sản phẩm điện gia dụng, tại các bãi rác thải đô thị hoặc bởi những người bán lẻ khi bạn mua sản phẩm mới.

DEWALT đáp ứng nơi thu gom và tái chế các sản phẩm của DEWALT khi các sản phẩm này đã hết hạn sử dụng. Để sử dụng dịch vụ này, vui lòng trả lại sản phẩm cho đại lý sửa chữa được ủy quyền, nơi thu gom các sản phẩm này thay mặt công ty chúng tôi.

Bạn có thể kiểm tra vị trí của đại lý sửa chữa được ủy quyền gần nhất bằng cách liên hệ với văn phòng DEWALT tại nơi bạn sống theo địa chỉ cung cấp trong sổ tay hướng dẫn này. Ngoài ra, còn có danh sách các đại lý sửa chữa được ủy quyền của DEWALT và đầy đủ thông tin chi tiết về dịch vụ hậu mãi và các thông tin liên hệ tại website:

www.2helpU.com.

