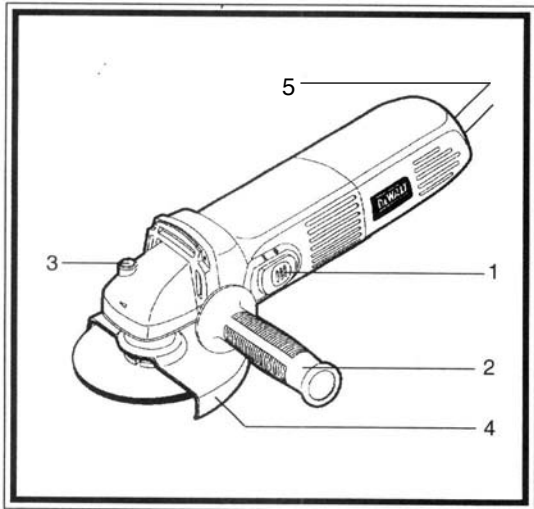


INSTRUCTION MANUAL

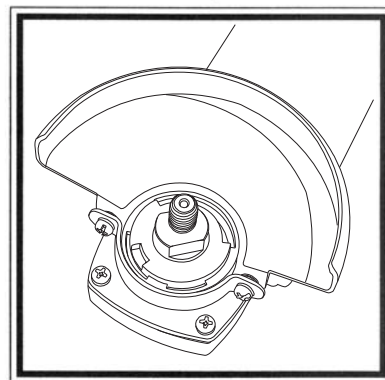
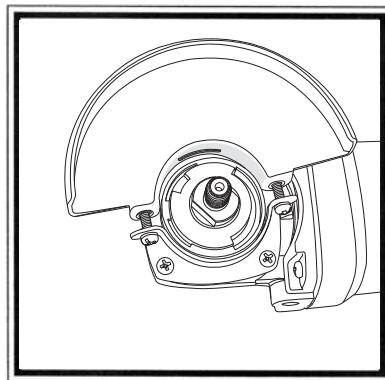
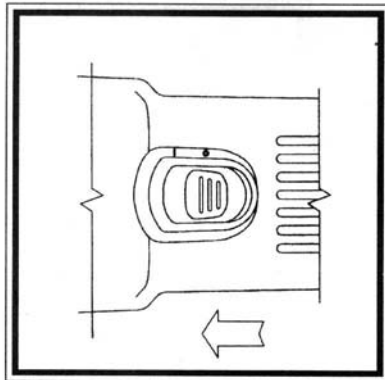
DEWALT®

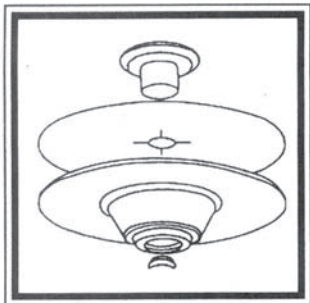
DW824

SMALL ANGLE GRINDERS

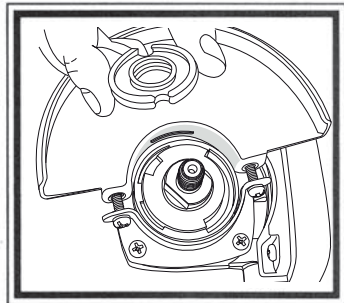


Model DW824

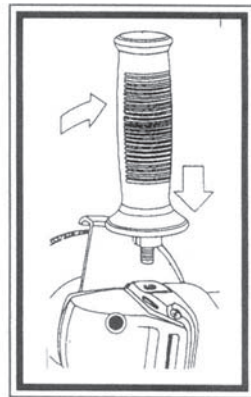




D1



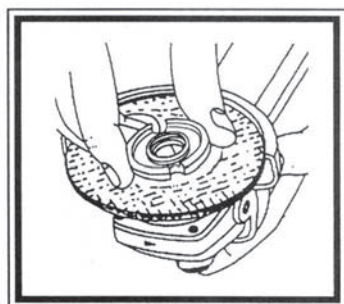
E1



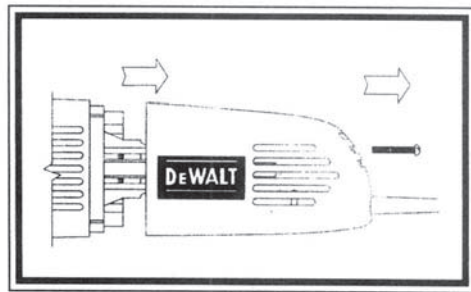
F



D2



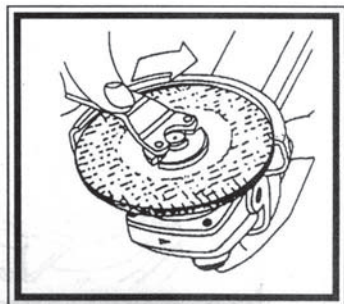
E2



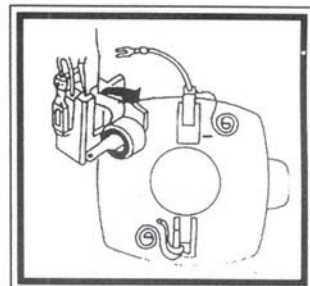
G1



D3



E3



G2

Safety Instructions

When using power tools, always observe the safety regulations applicable in your country to reduce the risk of fire, electric shock and personal injury. Read the following safety instructions before attempting to operate this product. Keep these instructions in a safe place!

General

- 1 Keep work area clean.** Cluttered areas and benches can cause accidents.
- 2 Consider work area environment.** Do not expose power tools to high humidity or rain. Keep work area well lit. Do not use power tools in the presence of flammable liquids or gases.
- 3 Guard against electric shock.** Prevent body contact with earthed surfaces (e.g. pipes, radiators, cookers and refrigerators).
- 4 Keep children away.** Do not let children come into contact with the tool or extension cord. Keep all people away from the work area.
- 5 Extension cords for outdoor use.** When the tool is used outdoors, always use extension cords intended for outdoor use and marked accordingly.
- 6 Store idle tools.** When not in use, power tools must be stored in a dry place and locked up securely, out of reach of children.
- 7 Dress properly.** Do not wear loose clothing or jewellery. They can be caught in moving parts. Preferably wear rubber gloves and non-slip footwear when working outdoors. Wear protective hair covering to keep long hair out of the way.
- 8 Wear safety goggles.** Also use a face or dust mask in case the operations produce dust or flying particles.
- 9 Be aware of maximum sound pressure.** Take appropriate measures for the protection of hearing if the sound pressure of 85dB(A) is exceeded.
- 10 Secure workpiece.** Use clamps or a vice to hold the workpiece. It is safer and it frees both hands to operate the tool.
- 11 Do not overreach.** Keep proper footing and balance at all times.
- 12 Avoid unintentional starting.** Do not carry the plugged-in tool with a finger on the switch. Be sure that the switch is released when plugging in.
- 13 Stay alert.** Watch what you are doing. Use common sense. Do not operate the tool when you are tired.
- 14 Disconnect tool.** Shut off power and wait for the tool to come to a complete standstill before leaving it unattended. Unplug the tool when not in use, before servicing or changing accessories.
- 15 Remove adjusting keys and wrenches.** Always check that adjusting keys and wrenches are removed from the tool before operating the tool.
- 16 Use appropriate tool.** Do not force small tools or attachments to do the job of a heavy-duty tool. The tool will do the job better and safer at the rate for which it is intended. The use of any accessories or attachments other than the ones recommended in this instruction manual may induce a risk of personal injury.
- 17 Do not abuse cord.** Never carry the tool by its cord or pull it to disconnect from the socket. Keep the cord away from heat, oil and sharp edges.
- 18 Maintain tools with care.** Keep tools in good condition and clean for better and safer performance. Follow the instructions for maintenance and changing accessories. Inspect tool cords at regular intervals and, if damaged, have them repaired by an authorised DeWALT Repair Agent. Inspect extension cords periodically and replace them if damaged. Keep all controls dry, clean and free from oil and grease.
- 19 Check damaged parts.** Before using the tool, carefully check it for damage to ensure it will operate properly and perform its intended function. Check for misalignment and seizure of moving parts, breakage of parts and any other conditions that may affect its operation. Have damaged guards or other defective parts repaired or replaced as instructed. Do not use the tool if the switch is defective. Have the switch replaced by an authorised DeWALT Repair Centre.
- 20 Have your tool repaired by an authorised DeWALT Repair Centre.** This power tool is in accordance with the relevant safety regulations. To avoid danger, electric appliances must only be repaired by qualified technicians.

Small Angle Grinder DW824

Package Contents

This package contains:

- 1 Small Angle Grinder
- 1 Side Handle
- 1 Wheel guard
- 1 Inner flange
- 1 Outer flange
- 1 Grinding disc
- 1 Set Instruction Manual
- 1 Guarantee card

- Check for damage to the tool, parts or accessories which may have occurred during transport.
- Take the time to thoroughly read and understand this manual prior to operation.

Consistent with our continuing product development, improvements may have been made which render the contents of this instruction manual slightly different to the product received.

Description (Fig. A)

Your DeWALT angle grinder has been designed for professional grinding, cutting, wire-cup brushing and sanding applications.

1. Slider switch
2. Side handle
3. Spindle lock
4. Wheel guard

Safety Rules For Grinders

1. Always wear goggles or other eye protection when using this tool.
2. When grinding, always keep guard in place.
3. Use only grinding wheels having a maximum operating speed at least as high as "NO LOAD RPM" marked on the tool's nameplate. This precaution also applies to any accessories on any tool.
4. Before using, inspect recommended accessory for cracks or flaws. If such a crack or flaws is evident - discard the wheel! The wheel should also be inspected whenever you think the tool may have been dropped.

5. When starting the tool (with a new or replacement wheel installed) hold the tool in a well protected area and let it run for one minute. If the wheel has an undetected crack or flaw, it should burst in less than one minute. Never start the tool with a person in line with the wheel. This includes the operator.
6. In operation, avoid bouncing the wheel or giving it rough treatment. If this occurs, stop the tool and inspect the wheel.
7. Always use guard with depressed-centre or flaring cup grinding wheels.
8. Clean your tool out periodically following the procedure in the maintenance section.

SAVE THIS INSTRUCTIONS

Double Insulation

Your DeWALT tool is fully insulated. This means that two independent barriers of insulation protect you from contacting metal parts thus giving further protection against the possibility of electric shock. Therefore no earth wire is required.

Electrical Safety

The electric motor has been designed for one voltage only. Always check that the power supply corresponds to the voltage on the rating plate. If the supply cord of this tool is damaged, it must only be replaced by a repair shop appointed by the manufacturer, because special purpose tools are required.

Extension Cords

Use only extension cords that are approved by the country's Electrical Authority. Before using an extension cord, inspect it for loose or exposed wires, damaged insulation and defective fittings. Replace the cord if necessary.

Starting The Tool (Fig. B)

To activate depress the back end of the slider switch and push forward to "1" (ON) position. To turn the tool off, release the slider switch back to "0" (OFF) position. This tool also has a lock-on feature. To activate push the slider switch to "1" position and press down the front end of the switch. To deactivate depress the back end of the switch and release the switch back to "0" position.

Mounting And Removing The Guard (Fig. C)



WARNING: To reduce the risk of serious personal injury, turn tool off and disconnect tool from power source before making any adjustments or removing/installing attachments or accessories. Before reconnecting the tool, depress and release the trigger switch to ensure that the tool is off.

TO MOUNT THE GUARD

1. Place the angle grinder on a table, spindle up.
2. Press the guard down (fig. C1) .
3. Position the guard between your body and work piece.
4. Tight the screw holding the cinch collar firmly around the neck of spindle (fig. C2)

TO REMOVE THE GUARD

1. Loosen the screw holding the cinch collar around the neck of the spindle.
2. Lift up on the guard.



WARNING: Never use the tool without the guard in place.

Fitting A Rubber Backing Pad (Fig. D)

The rubber backing pad is available as an optional accessory in most countries. To fit the pad proceed as follows:

- Disconnect the plug at the mains.
- Remove the guard from the tool.
- Insert the backing pad onto the machine spindle (Fig. D1). The inner flange in Fig. E is not needed.
- Position the sanding disc on the pad.
- Screw the outer flange with the two grip holes, together with the pad fitted, onto the machine spindle. (Fig. D2)
- Rotate the pad while at the same time pressing the spindle lock on the front of the gear case until it has found its locking location and holds the spindle still. (Fig. D3).
- With your finger firmly on the spindle lock, tighten the outer flange with the pin spanner supplied.
- Release the spindle lock. Plug the tool into the mains and start work.
- To remove the backing pad follow the above instructions in the reverse order.

Important! When using the tool for sanding allow only a segment of the disc to contact the work and refrain from high pressure application,

Mounting Grinding Wheels/Cutting Discs (Fig. E)

Your Grinder comes with two reversible flanges to accommodate a wide variety of different accessories. Make sure the correct sides of the flanges are being used ensuring no excessive play between the accessory and the flanges. To fit a grinding wheel/disc, proceed as follows:

- Disconnect the plug at the mains,
- Locate the inner flange onto the machines spindle (Fig. E1).
- Locate the wheel or disc against the flange.
- Screw the threaded outer flange onto the spindle (Fig. E2).
- Rotate the grinding wheel/disc, while at the same time pressing the spindle lock (on the front of the gear case) fully, until it has found its locking location and holds the spindle still.
- Then firmly tighten the threaded flange with the two-pin spanner supplied (Fig. E3).
- Release the button. Plug the tool into the mains and start work.

Important!

For grinding: Using a depressed centre disc, use the machine at an angle of approximately 30° to the work for roughing, and approximately 15° for finishing.

For cutting off: Using a flat cutting off wheel, always approach the workpiece at the angle at which the cut is to be made. Maintain this angle throughout the cut and do not exert side pressure on the wheel.

Fitting Wire Cup Brushes

The wire cup brush screws directly on the spindle of the machine without the use of the flanges.

Side-handle (Fig. F)

The side-handle for your angle grinder can be fitted to either side of the gear case.

Replacing Brushes (Fig. G)

Disconnect the plug at the mains.

- Completely unscrew the screw on the back of the handle housing and move the handle housing backward (Fig. G1).

- Next raise the end of the spring and slide the brush out from the brush holder, easing the connector from its terminal (Fig. G2).
- Check the length of the brush and replace if under 6mm. Worn brushes should be replaced in the same holder and position as removed.
- Insert the existing brush or new brush, secure the connector, reposition the spring and then check the other brush. When brushes need replacement always renew both brushes, even if one is still more than 6mm long.
- Replace the handle housing and re-fasten the screw on the back of the housing. Make sure the internal wiring is not trapped or damaged.
- Check that the tool is working. Before use, allow it to run for a few minutes to enable the brushes to settle.

Tool Care

Keep guards, air vents and motor housing as clear as possible of dust and dirt by wiping with a clean cloth and blowing through with air. Excessive build up of metal dust or oil could lead to tracking of electrical current from internal parts to exposed metal parts.

Avoid overloading the machine for long periods.

Overloading will result in a considerable reduction in speed and efficiency and the unit will become hot. In this event, run the machine at no load for a minute or two until cooled to normal working temperature by the built in fan. Switching your machine on and off whilst under load will considerably reduce the life of the switch.



Lubrication

Your power tool requires no additional lubrication.



Cleaning

Keep the ventilation slots clear and regularly clean the housing with a soft-cloth.

DeWALT After-Sales Service

All DeWALT power tools are thoroughly tested before leaving the factory. However, if the power tool needs repair, please contact your dealer or take it to your nearest DeWALT Service Centre.

Guarantee

Full One Year Warranty

DeWALT heavy duty industrial tools are warranted for one year from date of purchase. We will repair, without charge, any defects due to faulty materials or workmanship. Arrangements have been made with the Industrial Tool Division of Black & Decker to provide warranty repairs for DeWALT tools. Please return the complete unit, transportation prepaid, to any DeWALT Service Centre, Black & Decker Service Centre or any authorised service station. This warranty does not apply to:

- Accessories
- Damage caused where repairs have been made or attempted by others
- Damage due to misuse, neglect, wear and tear, alteration or modification.

Free One Year Service Contract

In addition to a full one year warranty, every DeWALT tool is backed with a Free One Year Service Contract. We will provide free labour on all repair and preventative maintenance during the first year after purchase. Proof of purchase date is required.

30 Day No Risk Satisfaction Guarantee

If you are not completely satisfied with the performance of your DeWALT heavy duty industrial tool, simply return it to the participating seller within 30 days. Proof of purchase date is required.

Unwanted Tools And The Environment

Take your old tool to an authorised DeWALT Repair Agent where it will be disposed off in an environmentally safe way.

NOTES:

- DeWALT reserves the right to change or upgrade product specifications or standard equipment at anytime without notice.
- Standard equipment and accessories may vary by country.
- Product specifications may differ by country.
- Complete product range may not be available in all countries. See your local DeWALT dealer for range availability.

**SERVICE CENTER
LOCATOR**



<p>China 中华人民共和国 Beijing: Room 103, Unit 2, Building 2, Yard 3, FangQunYuan YIQu, Fangzhuang, Feng lai District, Beijing, Post Code: 100078 北京市丰台区万芳园一区3号院2号楼2单元103号·邮编:100078 Shanghai: 419 North Zhong Shan Road, Shanghai 200070 上海市中山北路419号·邮编:200070 Guangzhou: Unit 14, No. 1, Hulimei Street Guangzhou Dadaoan Road, Haizhu District, Guangzhou, China (510310) 广州市海珠区广州大道南珠江美街1号之14号铺·邮编:510310</p>	<p>☎ (86-10) 6552 2788 ☎ (86-10) 6552 2799 ☎ (86-10) 6552 2425 ☎ (86-21) 5308 9586 ☎ (86-21) 5308 9585 ☎ (86-20) 8190 3148 ☎ (86-20) 8190 3150 ☎ (86-20) 8190 3143</p>
<p>Hong Kong Kwun Tong Kowloon, Hong Kong. 香港九龍觀塘維業街2號美亞工業大樓5樓C。</p>	<p>☎ (852) 2342 8129 ☎ (852) 2342 8449</p>
<p>Korea 1st Fl, Chongam Bldg, 834-46, Yeoksam-dong, Gangnam-gu Seoul, Korea 서울시 강남구 역삼동 834-46 잠원빌딩 1층</p>	<p>☎ (860-515-0909 (82-2) 3016 9206 ☎ (82-2) 3016 9203</p>
<p>Malaysia East: Lot 1149, Muara Tabuan Light Industrial Park, Off Jalan Seila Raja, 937-48 Kuching, Sarawak, Malaysia. West: No. 15-1 & 15-2, Jalan SS 23/15, Taman SEA, 47400 Petaling Jaya, Selangor Darul Ehsan, Malaysia.</p>	<p>☎ (60-82) 266113 ☎ (60-82) 366559 ☎ (60-03) 7880 1913 ☎ (60-03) 7880 5191 ☎ (632) 533 9694/95 (632) 533 9736 ☎ (632) 533 9736</p>
<p>Philippines Unit 1B, Ground Floor, VSK Corporate Circle Building, No.2 Acacia Lane Corner Shaw Boulevard, Mandaluyong City, 1552 Philippines.</p>	<p>☎ (65) 6747 1711 ☎ (65) 6566 0663</p>
<p>Singapore No. 20 Ton Guan Road, #05-00, C.J.GLS Building, Singapore 608839.</p>	<p>☎ (648) 910 3275 / 5711 ☎ (648) 910 5702 ☎ (644) 293 5139 ☎ (644) 577 2175</p>
<p>Vietnam Ho Chi Minh: 3B Ton Duc Thang District 1, Ho Chi Minh City,Vietnam. Ha Noi: 37/42 De La Thanh Dong Da District,Ha Noi City,Vietnam.</p>	<p>☎ (84-11) 268 8462 ☎ (84-11) 268 8361-7 ☎ (84-11) 268 8463 ☎ (880-2) 712 0199 ☎ (880-2) 956 6507 ☎ (880-2) 956 3473</p>
<p>Sri Lanka No. 51 Stork Place, Colombo, Sri Lanka.</p>	<p>☎ (977-1) 425 2192 ☎ (977-1) 425 5563</p>
<p>Bangladesh Al Buehna Market 35-37 Nawabpur Road Dhaka 1100, Dhaka, Bangladesh.</p>	<p>☎ (62-21) 380 6888 ☎ (62-21) 380 7457</p>
<p>Nepal P.O.Box 1947 Tripureshwor, Kathmandu, Nepal.</p>	<p>☎ (886-2) 288656 123 ☎ (886-2) 288656 100 ☎ (886-7) 5553030 ☎ (886-7) 5553264</p>
<p>Indonesia Jl. Batu Ceper 34, Jakarta 10120, Jakarta, Indonesia.</p>	<p>☎ (66) 2755-0600 ☎ (66) 2755-0455</p>
<p>Taiwan DEWALT: BLACK&DECKER: No 11, Lane 10, Sec4, Cheng De Rd Taipei, Taiwan 111. 台北市士林區承德路4段10巷11號。 11, Ln 34 Lung-tie Rd, Ku-Shan Dist, Kaohsiung, Taiwan R.O.C 804. 高雄市鼓山區龍蹄路34巷11號。</p>	<p>☎ (91-484) 2365924/596 ☎ (91-44) 64534203 ☎ (91-20) 26137666/663</p>
<p>Thailand 489/14 Moo 1 Poochaesamingprai Road, Samrong-Tai, Muang Samutprakarn, Samutprakarn 10270, Thailand 489/14 หมู่ 1 ถนนจางเลียง อู่ทองสมุทรปราการ 10270 จังหวัดสมุทรปราการ ประเทศไทย</p>	<p>☎ (91-484) 2365924/596 ☎ (91-44) 64534203 ☎ (91-20) 26137666/663</p>
<p>India 39/6686,ravipuram Road, Ernakulam,cochin-682016. 13,old Mahabalipuram Road,kandanchavadi, Chennai-600096. Tip-top Bldg,shop No.687,5506, Nana Peth,near Chacha Hakwak Chowk, Laxmi Road, pune-411002.</p>	<p>☎ (91-484) 2365924/596 ☎ (91-44) 64534203 ☎ (91-20) 26137666/663</p>

DeWALT 1-YEAR WARRANTY

DeWALT warrants this product for one year from date of purchase. We will repair, without charge, any defects due to faulty material and/or workmanship.

Please return the complete unit, transportation prepaid, to any local DeWALT Service Center with valid DeWALT warranty card AND invoice/receipt copy.

This warranty card MUST be completed with the following information:

- customer name, telephone no.;
- dealer name and shop;
- date of purchase;
- tool model and serial no.

This warranty DOES NOT apply to:

- normal wear and tear parts: e.g. carbon brush, cord, plug, chuck and battery;
- attachments and accessories;
- unauthorized repair, alteration/modification;
- damage caused by foreign objects, substances, accidents, obvious misuse, abuse, neglect and improper applications.

These terms only cover the general warranty policy in the Asia region. Details may vary from country to country. Please consult the local DeWALT service center for more details.

DeWALT บัตรรับประกัน 1 ปี

DeWALT รับประกันผลิตภัณฑ์เป็นเวลา 1 ปีนับจากวันที่ซื้อของ บริษัทจะซ่อมโดยไม่คิดค่าใช้จ่าย ค่าความบกพร่อง

ใด ๆ ที่เกิดจากข้อบกพร่องของวัสดุ และ/หรือ มีข้อบกพร่องการผลิต

โปรดส่งอุปกรณ์คืนผู้ผลิตทันทีโดยจ่ายเงินล่วงหน้า โปรดยื่นข้อเรียกร้อง DeWALT พร้อมกับบัตรรับประกันตัวจริง และสำเนาใบเสร็จรับเงินจากผู้ขาย

บัตรรับประกันนี้ประกอบด้วยข้อมูลดังต่อไปนี้อย่างสมบูรณ์ :

- ชื่อลูกค้า เบงกอลคาร์ท
- ชื่อผู้ขาย และ ร้านค้า
- วันที่ซื้อของ
- รุ่นของเครื่องมือ และ หมายเลขเครื่อง

การรับประกันนี้ใช้ได้กับ :

- การสึกหรอตามปกติ และ ชิ้นส่วนที่สึก เช่น แปรงถ่าน สายไฟ ปลั๊ก หัวจับดอกสว่าน และแบตเตอรี่
- อุปกรณ์เสริม และ อุปกรณ์ประกอบ
- การซ่อม การเปลี่ยน / การแก้ไขโดยช่างที่ไม่ผ่านการรับรองจากผู้ให้บริการของ DeWALT
- ความเสียหายเนื่องจากวัสดุคุณภาพต่ำ อุปกรณ์ชุด การใช้งานผิดประเภท การใช้งานในทางที่ผิด การละเลย และ การดัดแปลงใช้งานที่ไม่เหมาะสม

เงื่อนไขที่ครอบคลุมโดยอาการบัตรรับประกันทั่วไปในภูมิภาคเอเชีย รายละเอียดแตกต่างกันในแต่ละประเทศ กรุณาปรึกษากับผู้ให้บริการของ DeWALT เพื่อขอข้อมูลเพิ่มเติม

디월트 1년 품질보증

본 제품은 제품 구입일로부터 1년간 품질을 보증하며 보증기간내에 제품의 제조상 하자로 제조상 하자로 발생한 결함에 대해서는 무상으로 수리해 드립니다.

본 보증카드를 안전하게 작성하시어 가까운 디월트 / 블랙앤드데커 서비스 지정점에 제출하여 주십시오. (제품 구입 영수증 또는 거래명세서를 반드시 첨부해 주셔야 합니다.) 이 카드는 모든 서비스의 기초자료로 활용되오니 꼭 보내 주시기 바랍니다.

단, 아래 사항은 품질보증에 해당되지 않으므로 보증기간내이라도 무상수리를 받을 수 없습니다.

- 카본브러쉬, 코드, 플러그, 척, 밧데리 등의 소모품이 자연적으로 소모되었을 경우
- 악세사리가 파손되었을 경우
- 임의로 형상 및 구조를 변경하여 사용한 경우
- 외부의 충격, 사고, 천재지변, 정규전압으로 사용하지 아니한 경우, 소비자의 과실 및 취급 부주의로 고장 또는 손상된 경우

본 품질보증내용은 디월트 / 블랙앤드데커 한국지점에 한정되며, 각 나라별로 세부 내용은 다를수 있습니다. 더욱 자세한 내용을 알고 싶으시면 디월트 / 블랙앤드데커 서비스센터로 문의해 주시기 바랍니다.





Company Copy

สำหรับบริษัท
공급사 보관용

Customer Name: Mr. นาย
ชื่อลูกค้า: Miss นางสาว
고객이름: Mrs นาง

Address:
ที่อยู่:
Tel No.:
หมายเลขโทรศัพท์:
전화번호: _____

Tool Model:
รุ่น:
제품모델명:
Serial No. or Date Code:
หมายเลขเครื่อง:
제품일련번호 또는 제작일 코드번호:

Charger Model:
รุ่นเครื่องชาร์จ:
충전기 모델명:
Serial No. or Date Code:
หมายเลขเครื่อง:
충전기 일련번호 또는 제작일 코드번호:

Date of Purchase:
วันที่ซื้อ:
제품구입일자:
* Invoice / Receipt No.:
* หมายเลขใบเสร็จ:
* 영수증 / 거래명세서

Dealer's name:
ร้านที่ซื้อ:
제품구입 대리점명:
Tel. No.:
หมายเลขโทรศัพท์:
전화번호:

Dealer Chop:
ประทับตราร้านค้า:
대리점 확인란

* Please return this warranty card together with copy of invoice or receipt to the local DeWALTService centre within 14 days from purchase of your tool.

* กรุณาส่งคืนใบรับประกัน ส่วนใบเสร็จ ที่ ศูนย์บริการของ DeWalt ใกล้บ้านท่าน ภายใน 14 วันนับจากวันที่ซื้อ

* 본 보증카드를 제품구입 영수증 또는 거래명세서와 함께 딜러점 서비스 지정점에 제출하시거나, 우편으로 제품 구입후 14일 이내에 발송해 주십시오.



Customer Copy

สำหรับลูกค้า
고객 보관용

Customer Name: Mr. นาย
ชื่อลูกค้า: Miss นางสาว
고객이름: Mrs นาง

Address:
ที่อยู่:
Tel No.:
หมายเลขโทรศัพท์:
전화번호: _____

Tool Model:
รุ่น:
제품모델명:
Serial No. or Date Code:
หมายเลขเครื่อง:
제품일련번호 또는 제작일 코드번호:

Charger Model:
รุ่นเครื่องชาร์จ:
충전기 모델명:
Serial No. or Date Code:
หมายเลขเครื่อง:
충전기 일련번호 또는 제작일 코드번호:

Date of Purchase:
วันที่ซื้อ:
제품구입일자:
* Invoice / Receipt No.:
* หมายเลขใบเสร็จ:
* 영수증 / 거래명세서

Dealer's name:
ร้านที่ซื้อ:
제품구입 대리점명:
Tel. No.:
หมายเลขโทรศัพท์:
전화번호:

Dealer Chop:
ประทับตราร้านค้า:
대리점 확인란

