

DEWALT®

D28409

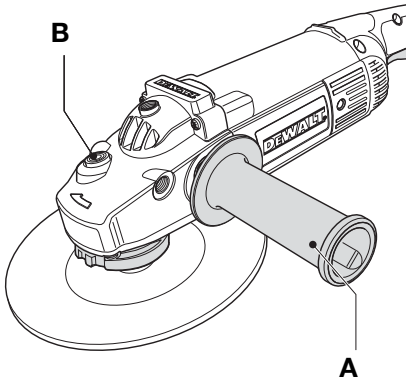


FIG 1

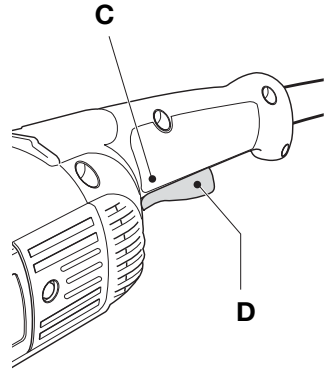


FIG 2

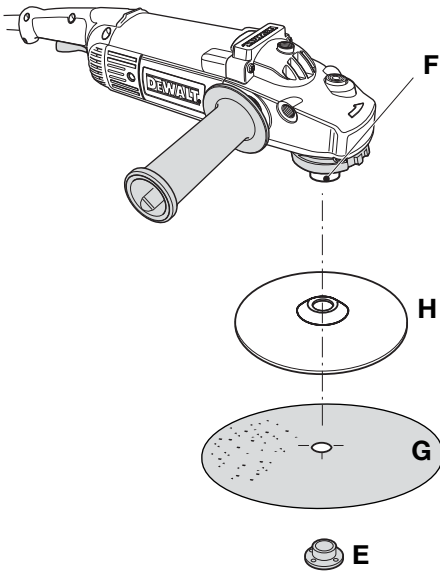


FIG 3

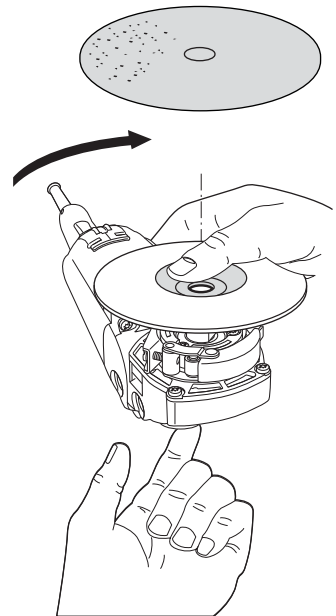


FIG 4

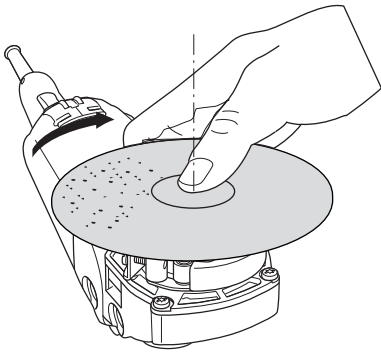


FIG 5

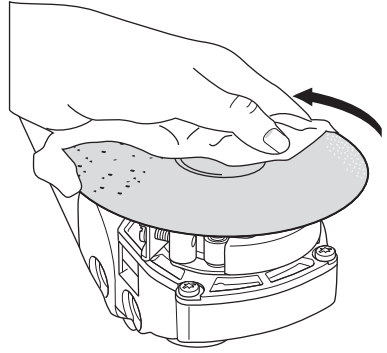


FIG 6

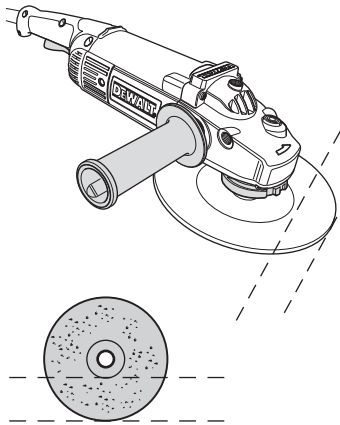


FIG 7

D28409 SANDER

Congratulations!

You have chosen a DEWALT tool. Years of experience, thorough product development and innovation make DEWALT one of the most reliable partners for professional power tool users.

Technical data

Power input	W	2,200
No-load speed	Min ⁻¹	5,000
Spindle size		M14
Pad size	mm	172
Weight	Kg	5.2

General Safety Rules



WARNING! Read all instructions. Failure to follow all instructions listed below may result in electric shock, fire and/or serious injury.

The term "power tool" in all of the warnings listed below refers to your mains-operated (corded) power tool or battery-operated (cordless) power tool.

SAVE THESE INSTRUCTIONS

1) WORK AREA SAFETY

- Keep work area clean and well lit.** Cluttered or dark areas invite accidents.
- Do not operate power tools in explosive atmospheres, such as in the presence of flammable liquids, gases or dust.** Power tools create sparks which may ignite the dust or fumes.
- Keep children and bystanders away while operating a power tool.** Distractions can cause you to lose control.

2) ELECTRICAL SAFETY

- Power tool plugs must match the outlet. Never modify the plug in any way. Do not use any adapter plugs with earthed (grounded) power tools.** Unmodified plugs and matching outlets will reduce risk of electric shock.
- Avoid body contact with earthed or grounded surfaces such as pipes, radiators, ranges and refrigerators.** There is an increased risk of electric shock if your body is earthed or grounded.
- Do not expose power tools to rain or wet conditions.** Water entering a power tool will increase the risk of electric shock.
- Do not abuse the cord. Never use the cord for carrying, pulling or unplugging the power tool.**

Keep cord away from heat, oil, sharp edges or moving parts. Damaged or entangled cords increase the risk of electric shock. Replace or repair damaged cords. Make sure your extension cord is in good condition. Use only 3-wire extension cords that have 3-prong grounding-type plugs and 3-pole receptacles that accept the tool's plug.

- When operating a power tool outdoors, use an extension cord suitable for outdoor use.** Use of a cord suitable for outdoor use reduces the risk of electric shock. When using an extension cord, be sure to use one heavy enough to carry the current your product will draw. An undersized cord will cause a drop in line voltage resulting in loss of power and overheating. The following table shows the correct size to use depending on cord length and nameplate ampere rating. If in doubt, use the next heavier gauge. The smaller the gauge number, the heavier the cord.

Using an extension cable

If an extension cable is required, use an approved extension cable suitable for the power input of this tool (see technical data). The minimum conductor size is 1.5 mm². When using a cable reel, always unwind the cable completely.

Also refer to the table below.

Conductor size (mm ²)	Cable rating (Amperes)					
0.75	6					
1.00	10					
1.50	15					
2.50	20					
4.00	25					
	Cable length (m)					
	7.5	15	25	30	45	60
Voltage	Amperes	Cable rating (Amperes)				
		7.5	15	25	30	45
115	0 - 2.0	6	6	6	6	10
	2.1 - 3.4	6	6	6	6	15
	3.5 - 5.0	6	6	10	15	20
	5.1 - 7.0	10	10	15	20	20
	7.1 - 12.0	15	15	20	25	25
230	12.1 - 20.0	20	20	25	-	-
	0 - 2.0	6	6	6	6	6
	2.1 - 3.4	6	6	6	6	6
	3.5 - 5.0	6	6	6	6	10
	5.1 - 7.0	10	10	10	10	15
	7.1 - 12.0	15	15	15	15	20
	12.1 - 20.0	20	20	20	20	25

3) PERSONAL SAFETY

- a) **Stay alert, watch what you are doing and use common sense when operating a power tool. Do not use a power tool while you are tired or under the influence of drugs, alcohol or medication.** A moment of inattention while operating power tools may result in serious personal injury. **Use safety equipment. Always wear eye protection.**
- b) **protection.** Safety equipment such as dust mask, non-skid safety shoes, hard hat, or hearing protection used for appropriate conditions will reduce personal injuries. **Avoid accidental starting. Ensure the switch is in the off-position before plugging in.** Carrying power tools with your finger on the switch or plugging in power tools that have the switch on invites accidents. **Remove any adjusting key or wrench before turning the power tool on.** A wrench or a key left attached to a rotating part of the power tool may result in personal injury. **Do not overreach. Keep proper footing and balance at all times.** This enables better control of the power tool in unexpected situations. **Dress properly. Do not wear loose clothing or jewellery. Keep your hair, clothing and gloves away from moving parts. Loose clothes, jewellery or long hair can be caught in moving parts.** Air vents often cover moving parts and should also be avoided. **If devices are provided for the connection of dust extraction and collection facilities, ensure these are connected and properly used.** Use of these devices can reduce dust-related hazards.

4) POWER TOOL USE AND CARE

- a) **Do not force the power tool. Use the correct power tool for your application.** The correct power tool will do the job better and safer at the rate for which it was designed.
- b) **Do not use the power tool if the switch does not turn it on and off.** Any power tool that cannot be controlled with the switch is dangerous and must be repaired.
- c) **Disconnect the plug from the power source and/or the battery pack from the power tool before making any adjustments, changing accessories, or storing power tools.** Such preventive safety measures reduce the risk of starting the power tool accidentally.
- d) **Store idle power tools out of the reach of children and do not allow persons unfamiliar with the power tool or these instructions to operate the power tool.** Power tools are dangerous in the hands of untrained users.
- e) **Maintain power tools. Check for misalignment or binding of moving parts, breakage of parts and any other condition that may affect the power tools operation. If damaged, have the power tool repaired before use.** Many accidents are caused by poorly maintained power tools.

- f) **Keep cutting tools sharp and clean.** Properly maintained cutting tools with sharp cutting edges are less likely to bind and are easier to control. **Use the power tool, accessories and tool bits etc., in accordance with these instructions and in the manner intended for the particular type**
- g) **of power tool, taking into account the working conditions and the work to be performed.** Use of the power tool for operations different from those intended could result in a hazardous situation.

5) SERVICE

- a) **Have your power tool serviced by a qualified repair person using only identical replacement parts.** This will ensure that the safety of the power tool is maintained.

Additional Safety Instructions

- **Accessories must be rated for at least the speed recommended on the tool warning label.** Wheels and other accessories running over rated speed can fly apart and cause injury.
- **Hold tool by insulated gripping surfaces when performing an operation where the cutting tool may contact hidden wiring or its own cord.** Contact with a "live" wire will make exposed metal parts of the tool "live" and shock the operator.
- Clean your tool out periodically.
- **Do not operate this tool for long periods of time.** Vibration caused by the operating action of this tool may cause permanent injury to fingers, hands, and arms. Use gloves to provide extra cushion, take frequent rest periods, and limit daily time of use.



WARNING: ALWAYS use eye protection. All users and bystanders must wear eye protection.



WARNING: Always wear proper personal hearing protection during use. Under some conditions and duration of use, noise from this product may contribute to hearing loss.



WARNING: ALWAYS use safety glasses. Everyday eyeglasses are NOT safety glasses. Also use face or dust mask if cutting operation is dusty. **ALWAYS WEAR CERTIFIED SAFETY EQUIPMENT:**



WARNING: Some dust created by power sanding, sawing, grinding, drilling, and other construction activities contains chemicals known to cause cancer, birth defects or other reproductive harm. Some examples of these chemicals are:

- lead from lead-based paints,
- crystalline silica from bricks and cement and other masonry products.
- arsenic and chromium from chemically-treated lumber (CCA).

Your risk from these exposures varies, depending on how often you do this type of work. To reduce your exposure to these chemicals: work in a well ventilated area, and work with approved safety equipment, such as those dust masks that are specially designed to filter out microscopic particles.

- Avoid prolonged contact with dust from power sanding, sawing, grinding, drilling, and other construction activities. Wear protective clothing and wash exposed areas with soap and water. Allowing dust to get into your mouth, eyes, or lay on the skin may promote absorption of harmful chemicals.



WARNING: Use of this tool can generate and/or disburse dust, which may cause serious and permanent respiratory or other injury. Always use approved respiratory protection appropriate for the dust exposure. Direct particles away from face and body.

- The label on your tool may include the following symbols. The symbols and their definitions are as follows:

Vvolts
Aamperes
Hzhertz
Wwatts
minminutes
~alternating current
≡direct current
n ₀no load speed
⊕earthing terminal
⚠safety alert symbol
□Class II Construction (double insulated)
.../min.revolutions or reciprocation per minute
BPMbeats per minute

Save these instructions

DESCRIPTION

- A Side handle
- B Spindle lock
- C Lock-on button
- D Trigger switch
- E Clamp washer
- F Spindle
- G Sanding paper
- H Backing pad

FEATURES

Side Handle

An side handle is furnished with your tool and can be installed on either side of the front housing. This handle should be used at all times to maintain complete control of the tool.

The tool can be locked on for continuous use by squeezing the trigger switch fully and depressing the lock button shown in Figure 2. Hold the lock button in as you gently release the trigger switch. The tool will continue to run. To turn the tool off from a locked on position, squeeze and

release the trigger switch once. Do not unplug the tool with the switch in the locked on condition. Make sure the tool is not locked on when plugging in. A locked on tool will start immediately when plugged in.

Spindle Lock Button (Fig. 1)



WARNING: To reduce the risk of serious personal injury, turn tool off and disconnect tool from power source before making any adjustments or removing/ installing attachments or accessories.

In order to prevent the spindle of the tool from rotating while installing or removing accessories, a spindle lock button has been provided in the gear head of the machine. To lock the spindle, depress and hold the lock button. NEVER DEPRESS THE SPINDLE LOCK BUTTON WITH THE TOOL RUNNING OR COASTING.

OPERATION



WARNING: To reduce the risk of serious personal injury, turn tool off and disconnect tool from power source before making any adjustments or removing/ installing attachments or accessories.

Sanding Application

ATTACHING AND REMOVING BACKING PAD OR SANDING PAPER (Figures 4, 5, and 6)

To attach the sanding paper, push the hub of the clamp washer through the center of the backing pad and sanding paper, as far as it will go, and also through the backing pad. Engage the clamp washer threads on the tool spindle and thread assembly clockwise, completely down on the spindle. Hold the spindle from rotating by engaging the spindle lock button.

To remove the backing pad and sanding, use a cloth or glove to protect your hand. Turn the clamp washer assembly counterclockwise (Figure 6). Hold the spindle from rotating by engaging the spindle lock button.

Sanding

(See Figure 7) When using an abrasive disc, hold the tool so that an angle of 10° to 15° exists between the disc and the work. If only the outer edge of the sanding disc is used, a rough cut will result. If the sanding disc is pressed flat against the work, the sanding action will be irregular and bumpy, and the tool will be difficult to control.

MAINTENANCE



WARNING: To reduce the risk of serious personal injury, turn tool off and disconnect tool from power source before making any adjustments or removing/ installing attachments or accessories.

Cleaning

Blowing dust, polishing bonnet lint, and grit out of the motor housing using compressed air is a necessary regular maintenance procedure. Dust and grit containing metal particles often accumulate on interior surfaces could create an electrical shock hazard if not frequently cleaned out.



WARNING: Never use solvents or other harsh chemicals for cleaning the non-metallic parts of the tool. These chemicals may weaken the plastic materials used in these parts. Use a cloth dampened only with water and mild soap. Never let any liquid get inside the tool; never immerse any part of the tool into a liquid.

Lubrication

DeWALT tools are properly lubricated at the factory and are ready for use. Tools should be relubricated regularly every sixty days to six months, depending on usage. (Tools used constantly on production or heavy-duty jobs and tools exposed to heat may require more frequent lubrication.) This lubrication should only be attempted by trained power tool repairpersons such as those at DeWALT service centers or other authorized service locations.

Motor Brushes

Be sure tool is unplugged before inspecting brushes. Carbon brushes should be regularly inspected for wear. To inspect brushes, unscrew the plastic brush inspection caps (located in the sides of the motor housing) and the spring and brush assemblies may be withdrawn from the tool. Keep brushes clean and sliding freely in their guides. Carbon brushes have varying symbols stamped into them, and if the brush is worn down to the line closest to the spring, they must be replaced.

Accessories



Warning: Since accessories, other than those offered by DeWALT, have not been tested with this product, use of such accessories with this tool could be hazardous. To reduce the risk of injury, only DeWALT recommended accessories should be used with this product.

Use only accessories having a maximum operating speed at least as high as the highest "NO LOAD RPM" marked on the tool's nameplate. This precaution applies to any accessory on any tool.

Protecting the environment



Separate collection. This product must not be disposed of with normal household waste.

Should you find one day that your DeWALT product needs replacement, or if it is of no further use to you, do not dispose of it with household waste. Make this product available for separate collection.



Separate collection of used products and packaging allows materials to be recycled and used again. Re-use of recycled materials helps prevent environmental pollution and reduces the demand for raw materials.

Service Information

DeWALT offers a full network of company-owned and authorized service locations throughout Asia. All DeWALT Service Centers are staffed with trained personnel to provide customers with efficient and reliable power tool service. Whether you need technical advice, repair, or genuine factory replacement parts, contact the DeWALT location nearest to you.

Notes

- DeWALT's policy is one of continuous improvement to our products and, as such, we reserve the right to change product specifications without prior notice.
- Standard equipment and accessories may vary by country.
- Product specifications may differ by country.
- Complete product range may not be available in all countries. Contact your local DeWALT dealers for range availability.