

DEWALT®

www.DEWALT.com

D25872

English	3
简体中文	8
Bahasa Indonesia	14
Tiếng Việt	20

Fig. A
图 A
Gbr. A
Hinh A

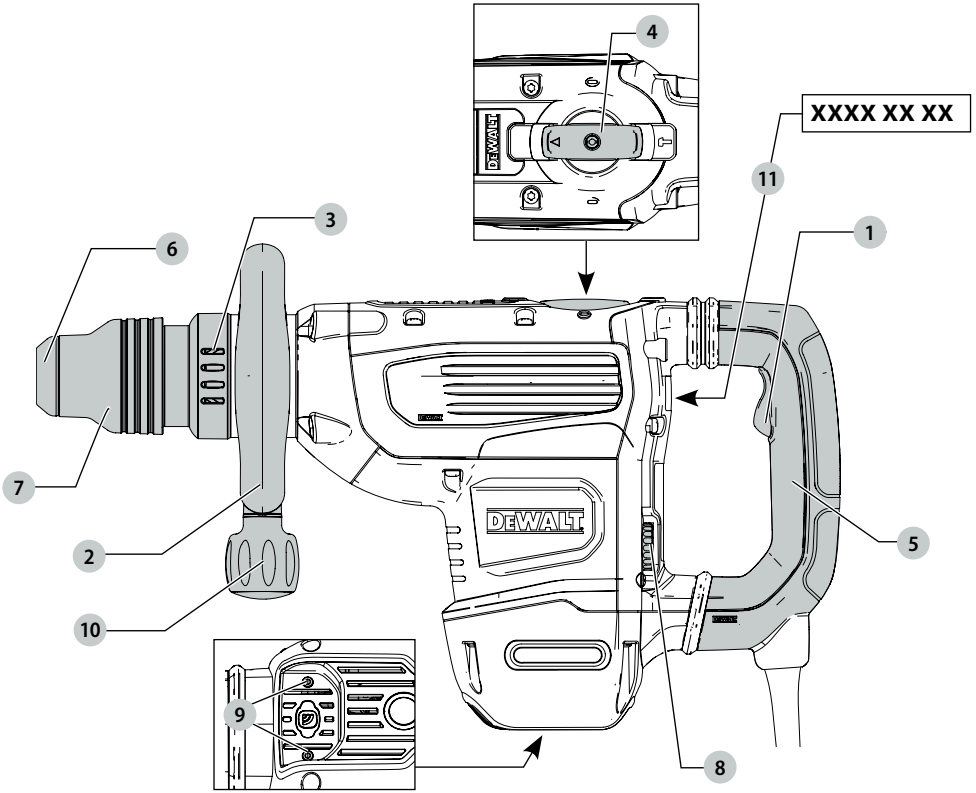


Fig. B
图 B
Gbr. B
Hinh B

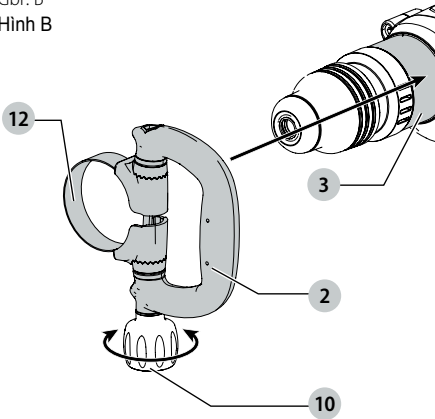


Fig. C
图 C
Gbr. C
Hinh C

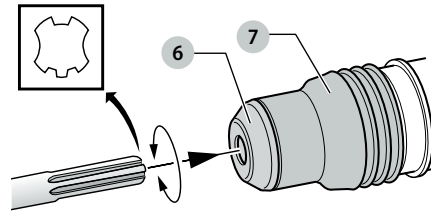


Fig. D
图 D
Gbr. D
Hinh D

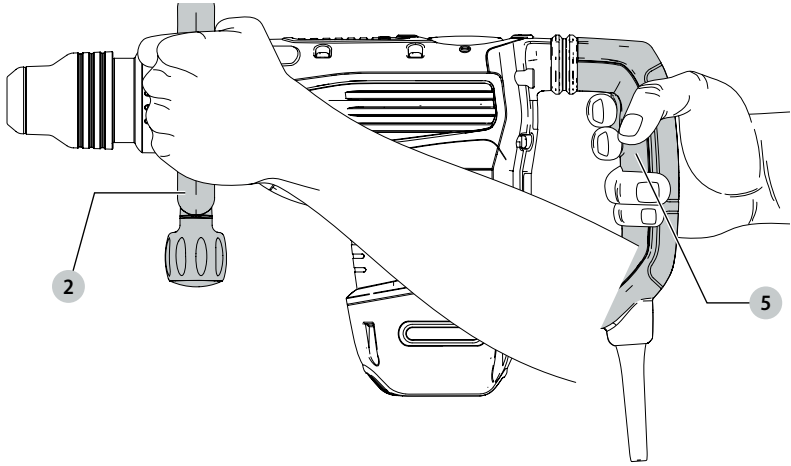
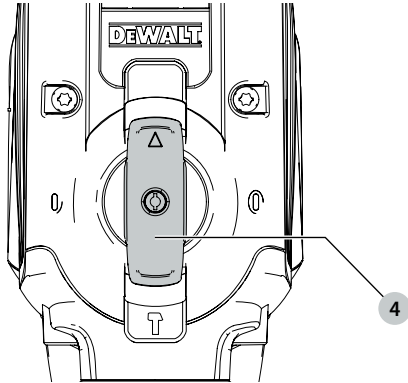


Fig. E
图 E
Gbr. E
Hinh E



HEAVY-DUTY CHIPPING HAMMER

D25872

Congratulations!

You have chosen a DeWALT tool. Years of experience, thorough product development and innovation make DeWALT one of the most reliable partners for professional power tool users.

Technical Data

		D25872
Voltage	V _{AC}	220-240
Frequency	Hz	50/60
Power Input	W	1600
No-load beats per minute	bpm	1350-2705
Single impact energy (EPTA 05/2009)	J	13.3
Tool holder		SDS MAX
Collar diameter	mm	83
Weight (including handle)	kg	8.8



WARNING: To reduce the risk of injury, read the instruction manual.

Definitions: Safety Guidelines

The definitions below describe the level of severity for each signal word. Please read the manual and pay attention to these symbols.



DANGER: Indicates an imminently hazardous situation which, if not avoided, **will** result in **death or serious injury**.



WARNING: Indicates a potentially hazardous situation which, if not avoided, **could** result in **death or serious injury**.



CAUTION: Indicates a potentially hazardous situation which, if not avoided, **may** result in **minor or moderate injury**.

NOTICE: Indicates a practice **not related to personal injury** which, if not avoided, **may** result in **property damage**.



Denotes risk of electric shock.



Denotes risk of fire.

General Power Tool Safety Warnings



WARNING: Read all safety warnings, instructions, illustrations and specifications provided with this power tool. Failure to follow all instructions listed below may result in electric shock, fire and/or serious injury.

SAVE ALL WARNINGS AND INSTRUCTIONS FOR FUTURE REFERENCE

The term "power tool" in the warnings refers to your mains-operated (corded) power tool or battery-operated (cordless) power tool.

1) Work area safety

- Keep work area clean and well lit.** Cluttered or dark areas invite accidents.
- Do not operate power tools in explosive atmospheres, such as in the presence of flammable liquids, gases or dust.** Power tools create sparks which may ignite the dust or fumes.
- Keep children and bystanders away while operating a power tool.** Distractions can cause you to lose control.

2) Electrical safety

- Power tool plugs must match the outlet. Never modify the plug in any way. Do not use any adapter plugs with earthed (grounded) power tools.** Unmodified plugs and matching outlets will reduce risk of electric shock.
- Avoid body contact with earthed or grounded surfaces such as pipes, radiators, ranges and refrigerators.** There is an increased risk of electric shock if your body is earthed or grounded.
- Do not expose power tools to rain or wet conditions.** Water entering a power tool will increase the risk of electric shock.
- Do not abuse the cord. Never use the cord for carrying, pulling or unplugging the power tool. Keep cord away from heat, oil, sharp edges or moving parts.** Damaged or entangled cords increase the risk of electric shock.
- When operating a power tool outdoors, use an extension cord suitable for outdoor use.** Use of a cord suitable for outdoor use reduces the risk of electric shock.
- If operating a power tool in a damp location is unavoidable, use a residual current device (RCD) protected supply.** Use of an RCD reduces the risk of electric shock.

3) Personal safety

- Stay alert, watch what you are doing and use common sense when operating a power tool. Do not use a power tool while you are tired or under the influence of drugs, alcohol or medication.** A moment of inattention while operating power tools may result in serious personal injury.
- Use personal protective equipment. Always wear eye protection.** Protective equipment such as dust mask, non-skid safety shoes, hard hat, or hearing protection used for appropriate conditions will reduce personal injuries.

- c) **Prevent unintentional starting. Ensure the switch is in the off position before connecting to power source and/or battery pack, picking up or carrying the tool.** Carrying power tools with your finger on the switch or energising power tools that have the switch on invites accidents.
- d) **Remove any adjusting key or wrench before turning the power tool on.** A wrench or a key left attached to a rotating part of the power tool may result in personal injury.
- e) **Do not overreach. Keep proper footing and balance at all times.** This enables better control of the power tool in unexpected situations.
- f) **Dress properly. Do not wear loose clothing or jewellery. Keep your hair, clothing and gloves away from moving parts.** Loose clothes, jewellery or long hair can be caught in moving parts.
- g) **If devices are provided for the connection of dust extraction and collection facilities, ensure these are connected and properly used.** Use of dust collection can reduce dust-related hazards.

4) Power tool use and care

- a) **Do not force the power tool. Use the correct power tool for your application.** The correct power tool will do the job better and safer at the rate for which it was designed.
- b) **Do not use the power tool if the switch does not turn it on and off.** Any power tool that cannot be controlled with the switch is dangerous and must be repaired.
- c) **Disconnect the plug from the power source and/or the battery pack from the power tool before making any adjustments, changing accessories, or storing power tools.** Such preventive safety measures reduce the risk of starting the power tool accidentally.
- d) **Store idle power tools out of the reach of children and do not allow persons unfamiliar with the power tool or these instructions to operate the power tool.** Power tools are dangerous in the hands of untrained users.
- e) **Maintain power tools. Check for misalignment or binding of moving parts, breakage of parts and any other condition that may affect the power tool's operation. If damaged, have the power tool repaired before use.** Many accidents are caused by poorly maintained power tools.
- f) **Keep cutting tools sharp and clean.** Properly maintained cutting tools with sharp cutting edges are less likely to bind and are easier to control.
- g) **Use the power tool, accessories and tool bits etc., in accordance with these instructions taking into account the working conditions and the work to be performed.** Use of the power tool for operations different from those intended could result in a hazardous situation.

5) Service

- a) **Have your power tool serviced by a qualified repair person using only identical replacement parts.** This will ensure that the safety of the power tool is maintained.

Additional Safety Instructions for Chipping Hammers

- **Wear ear protectors.** Exposure to noise can cause hearing loss.
- **Use auxiliary handle supplied with the tool.** Loss of control can cause personal injury.
- **Hold power tool by insulated gripping surfaces, when performing an operation where the cutting accessory may contact hidden wiring or its own cord.** Cutting accessory contacting a "live" wire may make exposed metal parts of the power tool "live" and could give the operator an electric shock.
- **Use clamps or other practical way to secure and support the workpiece to a stable platform.** Holding the work by hand or against your body is unstable and may lead to loss of control.
- **Wear safety goggles or other eye protection.** Hammering operations cause chips to fly. Flying particles can cause permanent eye damage. Wear a dust mask or respirator for applications that generate dust. Ear protection may be required for most applications.
- **Keep a firm grip on the tool at all times.** Do not attempt to operate this tool without holding it with both hands. It is recommended that the side handle be used at all times. Operating this tool with one hand will result in loss of control. Breaking through or encountering hard materials such as re-bar may be hazardous as well. Tighten the side handle securely before use.
- **Do not operate this tool for long periods of time.** Vibration caused by hammer action may be harmful to your hands and arms. Use gloves to provide extra cushion and limit exposure by taking frequent rest periods.
- **Do not recondition bits yourself.** Chisel reconditioning should be done by an authorized specialist. Improperly reconditioned chisels could cause injury.
- **Wear gloves when operating tool or changing bits.** Accessible metal parts on the tool and bits may get extremely hot during operation. Small bits of broken material may damage bare hands.
- **Never lay the tool down until the bit has come to a complete stop.** Moving bits could cause injury.
- **Do not strike jammed bits with a hammer to dislodge them.** Fragments of metal or material chips could dislodge and cause injury.
- **Slightly worn chisels can be resharpened by grinding.**
- **Keep the power cord away from the bit.** Do not wrap the cord around any part of your body. An electric cord wrapped around a spinning bit may cause personal injury and loss of control.

 **WARNING:** We recommend the use of a residual current device with a residual current rating of 30mA or less.

Residual Risks

The following risks are inherent to the use of chipping hammers:


- Injuries caused by touching the rotating parts or hot parts of the tool.

In spite of the application of the relevant safety regulations and the implementation of safety devices, certain residual risks cannot be avoided. These are:

- Impairment of hearing.
- Risk of squeezing fingers when changing the accessory.
- Health hazards caused by breathing dust developed when working in concrete and/or masonry.
- Risk of personal injury due to flying particles.
- Risk of burns due to accessories becoming hot during operation.
- Risk of personal injury due to prolonged use.

Electrical Safety

The electric motor has been designed for one voltage only. Always check that the power supply corresponds to the voltage on the rating plate.

 Your DEWALT tool is double insulated in accordance with EN60745; therefore no earth wire is required.

If the supply cord is damaged, it must be replaced by a specially prepared cord available through the DEWALT service organisation.

Using an Extension Cable

If an extension cable is required, use an approved 3-core extension cable suitable for the power input of this tool (see **Technical Data**). The minimum conductor size is 1.5 mm²; the maximum length is 30 m.

When using a cable reel, always unwind the cable completely.

Package Contents


The package contains:


- 1 Chipping hammer
- 1 Side handle
- 1 Instruction manual
- Check for damage to the tool, parts or accessories which may have occurred during transport.
- Take the time to thoroughly read and understand this manual prior to operation.

Markings on Tool

The following pictograms are shown on the tool:

 Read instruction manual before use.

 Wear ear protection.

 Wear eye protection.


Date Code Position (Fig. A)

The date code **11**, which also includes the year of manufacture, is printed into the housing.

Example:

2017 XX XX
Year of Manufacture

Description (Fig. A)

 **WARNING:** Never modify the power tool or any part of it. Damage or personal injury could result.

- | | |
|-------------------------|--|
| 1 ON/OFF rocker switch | 8 Electronic speed and impact control dial |
| 2 Side handle | 9 DEWALT tool tag mounting holes |
| 3 Front Barrel (Collar) | 10 Screw for side handle mounting |
| 4 Mode selector dial | 11 Date code |
| 5 Main handle | |
| 6 Tool holder | |
| 7 Locking sleeve | |

Intended Use

Your chipping hammer has been designed for professional chiseling and chipping applications.

DO NOT use under wet conditions or in the presence of flammable liquids or gases.

Your chipping hammer is a professional power tool.

DO NOT let children come into contact with the tool. Supervision is required when inexperienced operators use this tool.

- **Young children and the infirm.** This appliance is not intended for use by young children or infirm persons without supervision.
- This product is not intended for use by persons (including children) suffering from diminished physical, sensory or mental abilities; lack of experience, knowledge or skills unless they are supervised by a person responsible for their safety. Children should never be left alone with this product.

Active Vibration Control (AVC) System

For best vibration control, hold the tool as described in **Proper Hand Position** and apply just enough pressure so the damping device on the main handle is approximately mid stroke.

The active vibration control neutralises rebound vibration from the hammer mechanism. Lowering hand and arm vibration, it allows more comfortable use for longer periods of time and extends the life of the unit.

The hammer only needs enough pressure to engage the active vibration control. Applying too much pressure will not make the tool chip faster and active vibration control will not engage.

DEWALT Tool Tag Ready (Fig. A)

Optional Accessory

Your hammer comes with DEWALT tool tag mounting holes **9** and fasteners for installing a DEWALT Tool Tag. You will need a T20 bit tip to install the tag. The DEWALT Tool Tag is designed for tracking and locating professional power tools, equipment, and machines using the DEWALT Tool Connect™ app. For proper installation of the DEWALT Tool Tag refer to the DEWALT Tool Tag manual.


Electronic Speed and Impact Control (Fig. A)

The electronic speed and impact control allows optimal tool control for precise chiseling.


To set the electronic speed and impact control dial **8**, turn the dial to the desired level. The higher the number, the greater the speed and impact energy. Dial settings make the tool extremely flexible and adaptable for many different applications. The required setting depends on the bit size and hardness of material being chiseled.

- When chiselling soft, brittle materials or when minimum break-out is required, set the dial to a low setting;
- When breaking harder materials, set the dial to a high setting.

ASSEMBLY AND ADJUSTMENTS

 **WARNING:** To reduce the risk of serious personal injury, turn tool off and disconnect tool from power source before making any adjustments or removing/installing attachments or accessories. Be sure the ON/OFF rocker switch is in the OFF position. An accidental start-up can cause injury.

Side Handle (Fig. B)


 **WARNING:** To reduce the risk of personal injury, ALWAYS operate the tool with the side handle properly installed. Failure to do so may result in the side handle slipping during tool operation and subsequent loss of control. Hold tool with both hands to maximize control.


The side handle **2** clamps to the front of the gear case and may be rotated 360° to permit right- or left-hand use.

Mounting the Side Handle Assembly (Fig. B)

1. Widen the ring opening **12** of the side handle **2** by rotating the screw for side handle mounting **10** anti-clockwise.
2. Slide the assembly onto the nose of the tool, through the steel ring **12** and onto the collar **3**, past the chisel holder and sleeve.
3. Rotate the side handle assembly to the desired position.
4. Lock the side handle mounting assembly in place by securely tightening the screw for side handle mounting **10** rotating it clockwise so that the assembly will not rotate.

Bit and Bit Holder

 **WARNING:** Burn Hazard. ALWAYS wear gloves when changing bits. Accessible metal parts on the tool and bits may get extremely hot during operation. Small bits of broken material may damage bare hands.

 **WARNING:** Do not attempt to tighten or loosen chisel bits (or any other accessory) by gripping the front part of the chuck and turning the tool on. Damage to the chuck and personal injury may occur.

The chipping hammer can be fitted with various chisel bits depending on the desired application. **Use sharp bits only.**

Inserting and Removing SDS MAX Bits (Fig. C)

NOTE: Accessories and attachments used must be lubricated around the SDS fitment before installation.

1. Pull back the locking sleeve **7** and insert the bit shank. The bit shank must be clean.
2. Turn the bit slightly until the sleeve snaps back into position.
3. Ensure the bit is properly engaged.

NOTE: The bit needs to move several centimeters in and out of the tool holder **6** when properly engaged.
4. To remove the bit, pull back the locking sleeve and pull the bit out.


Bit Position Adjustment


Turn the mode selector to bit adjustment icon (Refer to **Mode Selection**) to adjust the chisel to the desired position. There are multiple positions to set the angle of the chisel.

NOTE: After finding the desired position, slightly maneuver the chisel bit back and forth to ensure the chisel is properly engaged.


OPERATION

Instructions for Use

 **WARNING:** Always observe the safety instructions and applicable regulations.

 **WARNING:** To reduce the risk of serious personal injury, turn tool off and disconnect tool from power source before making any adjustments or removing/installing attachments or accessories. Be sure the ON/OFF rocker switch is in the OFF position. An accidental start-up can cause injury.

Proper Hand Position (Fig. D)

 **WARNING:** To reduce the risk of serious personal injury, ALWAYS use proper hand position as shown.

 **WARNING:** To reduce the risk of serious personal injury, ALWAYS hold securely in anticipation of a sudden reaction.

Proper hand position requires one hand on the mounted side handle **2**, with the other hand on the main handle **5**.

Mode Selection (Fig. E)



WARNING: Do not select the operating mode when the tool is running. Tool must come to a complete stop before activating the mode selector button or damage to the tool may result.

Your tool is equipped with a mode selector dial **4** to select the mode appropriate to desired operation.

Symbol	Mode	Application
O	Bit Adjustment	Chisel bit position adjustment
T	Hammering/ Chipping	Light chipping, chiseling and demolition

To Select a Mode

- Rotate the mode selector dial so that the arrow points to the symbol corresponding for the desired mode.

NOTE: The arrow on the mode selector dial **4** must be pointing at a mode symbol at all times. There are no operable positions in between.

Indexing the Chisel Position (Fig. E)

The chisel can be indexed and locked into 24 different positions.

- Rotate the mode selector switch **4** until it points towards the **O** position.
- Rotate the chisel in the desired position.
- Set the mode selector switch **4** to the "Hammering/ Chipping" position.
- Twist the chisel until it locks in position.

Performing an Application (Fig. A, E)



WARNING: TO REDUCE THE RISK OF PERSONAL INJURY, ALWAYS ensure workpiece is anchored or clamped firmly.

NOTE: Operating temperature of this tool is 7 to +40° C. Using the tool outside of this temperature range will decrease the life of the tool.

- Insert the appropriate chisel and rotate it by hand to lock it into the desired position. Refer to **Bit and Bit Holder**.
- Using the mode selector dial **4**, select chipping mode. Refer to **Mode Selection**.
- Adjust the side handle **2** as necessary. Refer to **Mounting the Side Handle Assembly**.
- Place the chisel on the desired location.
- Depress the ON/OFF rocker switch **1**.
- To stop the hammer, release the ON/OFF rocker switch.

MAINTENANCE

Your DEWALT power tool has been designed to operate over a long period of time with a minimum of maintenance. Continuous satisfactory operation depends upon proper tool care and regular cleaning.



WARNING: To reduce the risk of serious personal injury, turn tool off and disconnect tool from power source before making any adjustments or removing/ installing attachments or accessories. Be sure the ON/OFF rocker switch is in the OFF position. An accidental start-up can cause injury.



Lubrication

Your power tool requires no additional lubrication.



Cleaning



WARNING: Blow dirt and dust out of the main housing with dry air as often as dirt is seen collecting in and around the air vents. Wear approved eye protection and approved dust mask when performing this procedure.



WARNING: Never use solvents or other harsh chemicals for cleaning the non-metallic parts of the tool. These chemicals may weaken the materials used in these parts. Use a cloth dampened only with water and mild soap. Never let any liquid get inside the tool; never immerse any part of the tool into a liquid.

Optional Accessories



WARNING: Since accessories, other than those offered by DEWALT, have not been tested with this product, use of such accessories with this tool could be hazardous. To reduce the risk of injury, only DEWALT recommended accessories should be used with this product.

Various types of SDS MAX chisels are available as an option. Accessories and attachments used must be regularly lubricated around the SDS MAX fitment.

Consult your dealer for further information on the appropriate accessories.

Protecting the Environment



Separate collection. Products and batteries marked with this symbol must not be disposed of with normal household waste.

Products and batteries contain materials that can be recovered or recycled reducing the demand for raw materials. Please recycle electrical products and batteries according to local provisions. Further information is available at www.2helpU.com.

电镐

D25872

恭喜！

感谢您选购得伟工具。凭借多年的产品开发和创新经验，得伟已经成为专业电动工具用户最可靠的合作伙伴之一。

技术参数

		D25872
电压	伏特 _{交流}	220
频率	赫兹	50/60
输入功率	瓦	1600
每分钟冲击数	bpm	1350–2705
冲击能量 (EPTA 05/2009)	焦	13.3
工具夹持器		SDS MAX
轴环直径	毫米	83
重量 (包括手柄)	千克	8.8



警告：为降低伤害风险，请阅读使用手册。

定义：安全指南

下列定义描述了各标志术语的严重程度。请仔细阅读本手册，并注意这些标志。



危险：表示存在紧急危险情况，如果不加以避免，将导致死亡或严重伤害。



警告：表示存在潜在的危险情况，如果不加以避免，可能导致死亡或严重伤害。



警示：表示存在潜在危险情况，如果不加以避免，可能导致轻度或中度伤害。

注意：表示存在不涉及人身伤害的情况，如果不加以避免，可能导致财产损失。



表示存在触电风险。



表示存在火灾风险。

电动工具通用安全警告



警告！阅读随电动工具提供的所有安全警告、说明、图示和规定。不遵照以下所列说明会导致电击、着火和/或严重伤害。

保存所有警告和说明书以备查阅。

警告中的术语“电动工具”指市电驱动（有线）电动工具或电池驱动（无线）电动工具。

a) 工作场地的安全

- 1) 保持工作场地清洁和明亮。杂乱和黑暗的场地会引发事故。
- 2) 不要在易爆环境，如有易燃液体、气体或粉尘的环境下操作电动工具。电动工具产生的火花会点燃粉尘或气体。
- 3) 操作电动工具时，远离儿童和旁观者。注意力不集中会使操作者失去对工具的控制。

b) 电气安全

- 1) 电动工具插头必须与插座相配。绝不能以任何方式改装插头。需接地的电动工具不能使用任何转换插头。未经改装的插头和相配的插座将降低电击风险。
- 2) 避免人体接触接地表面，如管道、散热片和冰箱。如果你身体接地会增加电击风险。
- 3) 不得将电动工具暴露在雨中或潮湿环境中。水进入电动工具将增加电击风险。
- 4) 不得滥用电线。绝不能用软线搬运、拉动电动工具或拔出其插头。使软线远离热源、油、锐边或运动部件。受损或缠绕的软线会增加电击风险。
- 5) 当在户外使用电动工具时，使用适合户外使用的延长线。适合户外使用的电线将降低电击风险。
- 6) 如果无法避免在潮湿环境下操作电动工具，应使用带有剩余电流装置 (RCD) 保护的电源。RCD 的使用可降低电击风险。

c) 人身安全

- 1) 保持警觉，当操作电动工具时关注所从事的操作并保持清醒。当你感到疲倦，或在有药物、酒精或治疗反应时，不要操作电动工具。在操作电动工具时瞬间的疏忽会导致严重人身伤害。
- 2) 使用个人防护装置。始终佩戴护目镜。防护装置，诸如适当条件下使用防尘面具、防滑安全鞋、安全帽、听力防护等装置能减少人身伤害。
- 3) 防止意外起动。在连接电源和/或电池盒、拿起或搬运工具前确保开关处于关断位置。手指放在开关上搬运工具或开关处于接通时通电会导致危险。
- 4) 在电动工具接通之前，拿掉所有调节钥匙或扳手。遗留在电动工具旋转零件上的扳手或钥匙会导致人身伤害。
- 5) 手不要过分伸展。时刻注意立足点和身体平衡。这样能在意外情况下能更好地控制住电动工具。

- 6) **着装适当。不要穿宽松衣服或佩戴饰品。让你的头发和衣服远离运动部件。**宽松衣服、配饰或长发可能会卷入运动部件。
- 7) **如果提供了与排屑、集尘设备连接用的装置，要确保其连接完好且使用得当。**使用集尘装置可降低尘屑引起的危险。
- 8) **不要因为频繁使用工具而产生的熟悉感而掉以轻心，忽视工具的安全准则。**某个粗心的动作可能在瞬间导致严重的伤害。

d) 电动工具使用和注意事项

- 1) **不要勉强使用电动工具，根据用途使用合适的电动工具。**选用合适的按照额定值设计的电动工具会使你工作更有效、更安全。
- 2) **如果开关不能接通或关断电源，则不能使用该电动工具。**不能通过开关来控制的电动工具是危险的且必须进行修理。
- 3) **在进行任何调节、更换附件或贮存电动工具之前，必须从电源上拔掉插头和/或卸下电池包（如可拆卸）。**这种防护性的安全措施降低了电动工具意外起动的风险。
- 4) **将闲置不用的电动工具贮存在儿童所及范围之外，并且不允许不熟悉电动工具和不了解这些说明的人操作电动工具。**电动工具在未经培训的使用者手中是危险的。
- 5) **维护电动工具及其附件。检查运动部件是否调整到位或卡住，检查零件破损情况和影响电动工具运行的其他状况。如有损坏，应在使用前修理好电动工具。**许多事故是由维护不良的电动工具引发的。
- 6) **保持切削刀具锋利和清洁。**维护良好地有锋利切削刃的刀具不易卡住而且容易控制。
- 7) **按照使用说明书，并考虑作业条件和要进行的作业来选择电动工具、附件和工具的刀头等。**将电动工具用于那些与其用途不符的操作可能会导致危险情况。
- 8) **保持手柄和握持表面干燥、清洁，不得沾有油脂。**在意外的情况下，湿滑的手柄不能保证握持的安全和对工具的控制。

e) 维修

- 1) **由专业维修人员使用相同的备件维修电动工具。**这将保证所维修的电动工具的安全。

电镐的附加安全守则

- **戴好耳罩。**暴露在噪声中会引起听力损伤。
- **使用工具随附的辅助手柄。**操作失手会引起人身伤害。

- **在钻削附件可能触及暗线或其自身软线之处进行操作时，要通过绝缘握持面来握持工具。**钻削附件碰到带电导线会使工具外露的金属零件带电从而使操作者受到电击。
- **使用夹具或采取其他可行的方法，将工件固定、支撑到稳定的平台上。**手持或用身体顶住工件都是不稳定的，会导致操作失控。
- **请佩戴安全护目镜或其他护目装备。**冲击操作会导致碎片飞散。飞散的颗粒会对眼睛造成永久性伤害。请在产生粉尘的应用环境佩戴防尘面具或口罩。大多应用环境需要佩戴听力保护器。
- **时刻紧握工具。**切勿尝试在不使用双手握住工具时操作此工具。建议始终使用侧手柄。单手操作此工具会导致失控。穿透或遇到坚硬材料（如钢筋）也可能发生危险。使用前请务必稳固转紧侧手柄。
- **不要长时间操作此工具。**锤击操作导致的振动可能会伤害您的手部和手臂。使用手套提供额外缓冲，经常停下休息，限制使用时间。
- **切勿自行整修钻头。**凿子的整修工作应由授权专业人员来完成。凿子整修不当可能会导致伤害。
- **操作工具或更换钻头时请佩戴手套。**工具和钻头上的可接触金属部件可能会在操作过程中变得非常热。少量破碎材料可能会导致双手受伤。
- **直到钻头完全停止运动才放下工具。**运动钻头可能会导致伤害。
- **请勿使用锤子击打卡住的钻头。**金属碎片或材料碎屑可能会弹出而导致伤害。
- **轻度磨损的凿子可通过打磨进行磨尖。**
- **让电线远离钻头。**请勿用身体的任何部位缠绕电线。缠绕在旋转中的钻头周围的电线可能会导致人身伤害和失控。



警告：我们建议使用漏电保护额定电流为 30 毫安或以下的漏电保护装置。

剩余风险

使用电镐时具有下列固有危险：

- 碰触工具的旋转部件或发热部件会导致人身伤害。尽管遵守了相关的安全法规并采用了安全装备，某些其他风险仍然是无法避免的。这些风险包括：
- 听力损伤。
- 更换附件时夹到手指的风险。
- 在混凝土和/或砖石环境中工作时，吸入粉尘导致的健康危害。
- 飞溅颗粒造成的人身伤害风险。
- 使用时附件发热导致的灼伤风险。
- 长时间使用引起的人身伤害风险。

电气安全

电机只适用一种工作电压。请务必检查电源电压是否与铭牌上的电压一致。



您的得伟工具依据 EN60745 标准设置双重绝缘，因此无须接地线。

如果电源线损坏，必须采用得伟维修机构提供的专用电线进行更换。

使用延长线

如需使用延长电缆，请使用与本工具的输入功率（见**技术参数**）匹配的经验 3 芯延长线。最小导体尺寸为 1.5 平方毫米，最大长度为 30 米。

使用电缆卷筒时，请务必拉出所有的电缆。

包装内的物品

包装内的物品包括：

1 个 电镐

1 个 侧手柄

1 本 说明手册

- 检查工具、部件或附件是否在运输过程中损坏。
- 操作前，请抽空仔细阅读并掌握本手册。

工具上的标记

工具上印有下列图形：



使用前请阅读使用手册。



请佩戴听力保护器。



请佩戴护目装备。

日期码位置 (图 A)

日期码 **11** 印在工具外壳上，其中还包含制造年份。

示例：

2017 XX XX

制造年份

说明 (图 A)



警告：切勿改装电动工具或其任何部件，否则可能会导致损坏或人身伤害。

- | | |
|-----------|----------------|
| 1 翘板开关 | 7 锁定套管 |
| 2 侧手柄 | 8 电子变速器和冲击控制旋钮 |
| 3 前筒 (轴环) | 9 得伟工具标签安装孔 |
| 4 模式选择器转盘 | 10 用于安装侧手柄的螺钉 |
| 5 主手柄 | 11 日期代码 |
| 6 工具夹持器 | |

设计用途

您的电镐设计用于专业切削和凿切应用。

请勿在潮湿环境中或在易燃液体或气体存在的环境中使用本工具。

此电镐是专业的电动工具。

请勿让儿童接触本工具。缺乏经验的操作员需要在监督下使用本工具。

- **儿童和体弱者。**在没有他人监督的情况下，儿童或体弱者不适宜使用本产品。
- 本产品不适合体力、感官或智力不足以及缺乏经验、知识或技能的人员（包括儿童）使用，除非一旁有能为他们的安全负责的监督人员。不得在无人监管的情况下让儿童接触本产品。

有源振动控制 (AVC) 系统

为获得最佳的振动控制，请按**正确的手持方式**所述握住工具，并向其施加足够的压力，使主手柄上的阻尼装置大致处于中间。

有源振动控制可中和来自锤子机制的回弹振动。降低手部和手臂振动，可以更舒适地在更长的时间内使用本工具，并延长装置的使用寿命。

锤钻只需要适量力度即可启动有源振动控制。过度用力并不会加快工具切削的速度，也不会启动有源振动控制。

得伟工具标签就绪 (图 A)

可选配件

您的锤钻自带得伟工具标签安装孔 **9** 和用于安装得伟工具标签的紧固件。您需要使用一个 T20 钻头以安装该标签。得伟工具标签专为使用 DeWALT Tool Connect™ 应用程序跟踪和定位专业电动工具、设备和机器而设计。为正确安装得伟工具标签，请参阅得伟工具标签手册。

电子变速器和冲击控制 (图 A)

电子变速器和冲击控制是精确凿切的最佳工具控制装置。

如需设置电子变速器和冲击控制旋钮 **8**，请将其转动至所需等级。号码越高，速度和冲击能量就越大。旋钮设置使得工具的使用更加灵活方便，而且适用于多个不同的应用程序。所需的设置取决于凿切材料的钻头尺寸和硬度。

- 在软质、易脆材料上凿切，或在需要最大限度降低破损时，将旋钮调整为低设置；
- 在硬质材料上进行破碎时，将旋钮调整为高设置。

组装与调整

警告: 为降低严重的人身伤害风险, 在进行任何调整或取出/安装附件或配件之前, 请关闭工具电源和断开工具电源连接。请确保翘板开关处于 OFF (关闭) 位置。意外启动可能会导致人身伤害。

侧手柄 (图 B)

警告: 为降低人身伤害风险, 始终在正确安装侧手柄的情况下操作工具。否则, 可能导致侧手柄在工具操作时滑动并随后失控。用双手握住工具以充分控制它。

侧手柄 **2** 夹紧至齿轮箱前端, 可 360° 旋转以方便右手或左手使用。

安装侧手柄组件 (图 B)

- 通过逆时针转动用于安装侧手柄的螺钉 **10** 将侧手柄 **2** 开环 **12** 松开。
- 将组件滑至工具前端, 使其穿过钢环 **12**, 穿过凿子固定器和套管放到轴环 **3** 上。
- 将侧手柄组件旋转至所需位置。
- 通过顺时针转紧用于安装侧手柄的螺钉 **10**, 将侧手柄安装组件锁定到位, 使组件不会旋转。

钻头与钻头夹持器

警告: 灼伤危险。更换附件时请务必佩戴手套。工具和钻头上的可接触金属部件可能会在操作过程中变得非常热。少量破碎材料可能会导致双手受伤。

警告: 不要尝试通过握住夹头前端和打开工具来拧紧或拧松凿子钻头 (或任何其它附件)。这可能会导致夹头受损和人身伤害。

视所需应用而定, 本充电式电镐可搭配使用不同的钻头。请只使用锋利的钻头。

插入和取出 SDS MAX 钻头 (图 C)

注: SDS 设备中使用的附件和附加装置必须在安装前进行润滑。

- 向后拉锁定套管 **7** 然后插入钻头杆。清洁钻头杆。
- 稍微转动钻头直到套管卡入到位。
- 确保钻头正确锁定。
注: 钻头需要移动几厘米进出工具固定器 **6** 以正确啮合。
- 如果要取出钻头, 请向后拉套管, 然后将钻头拉出。

钻头位置调节

将模式选择器转至钻头调节图标 (参阅 **模式选择**), 以将凿子转到所需位置。我们提供多个位置来设置凿子的角度。

注: 找到所需位置后, 稍微来回移动凿子, 以确保凿子正确锁定。

操作

使用说明

警告: 务必遵守安全指示和适用法规。

警告: 为降低严重的人身伤害风险, 在进行任何调整或取出/安装附件或配件之前, 请关闭工具电源和断开工具电源连接。请确保翘板开关处于 OFF (关闭) 位置。意外启动可能会导致人身伤害。

正确的手持方式 (图 D)

警告: 为降低严重的人身伤害风险, 请务必使用正确的手持方式, 如图所示。

警告: 为降低严重的人身伤害风险, 请务必紧握工具以防止出现突然的反作用力。

正确的手持方式要求一只手握住安装的侧手柄 **2**, 另一只手则握住主手柄 **5**。

模式选择 (图 E)

警告: 在工具运行时切勿选择操作模式。工具必须先完全停下来后, 才可激活模式选择器按钮, 否则可能会损坏工具。

本工具配备模式选择器转盘 **4**, 可用于选择适合所需操作的模式。

标识	模式	应用
	钻头调节	凿子钻头位置调节
	锤击/切削	轻型凿切、凿打和破碎

选择模式:

- 旋转模式选择器转盘, 使箭头指向对应于所需模式的符号。


注: 模式选择器转盘 **4** 上的箭头必须始终指向某模式符号。各符号之间没有可操作的位置。

标记凿子位置 (图 E)

可标记凿子并将它锁定在 24 个不同的位置中。

- 旋转模式选择器开关 **4** 直到它指向 **0** 位置。
- 将凿子旋转至所需位置。
- 将模式选择器开关 **4** 设定为“锤击/切削”位置。
- 扭转凿子, 直到其锁定到位。

执行应用 (图 A、E)


 **警告: 为降低人身伤害风险, 请务必确保牢固锚定或夹紧工件。**

注: 工具的操作温度为 7°C 至 +40°C。在此温度范围外使用工具会降低工具的使用寿命。

1. 插入相应的凿子, 然后用手旋转以使其锁定到位。请参阅 **钻头与钻头夹持器**。
2. 使用模式选择器转盘 **4**, 选择切削模式。请参阅 **模式选择**。
3. 根据需要调整侧手柄 **2**。参阅 **安装侧手柄组件**。
4. 将凿子放在所需位置。
5. 按下翘板开关 **1**。
6. 要停止运转电锤, 请松开翘板开关。

维护

得伟电动工具设计精良, 可以长时间使用, 而且只需极少的维护。要持续获得令人满意的工作效果, 需要进行合适的工具维护和定期清洁。

 **警告: 为降低严重的人身伤害风险, 在进行任何调整或取出/安装附件或配件之前, 请关闭工具电源和断开工具电源连接。请确保翘板开关处于 OFF (关闭) 位置。意外启动可能会导致人身伤害。**





润滑

本电动工具无需另行润滑。




清洁

 **警告:** 一旦看到通风口及其周围积聚了尘屑, 请用干燥的空气将灰尘和尘屑从主机外壳内吹出。执行此过程时, 需戴上经认可的护目装备和防尘面具。

 **警告:** 切勿使用溶剂或其他刺激性化学制品来清洁工具的非金属部件。这些化学物质可能会削弱这些部位使用的材料。请用布蘸温和的肥皂水擦拭。切勿让任何液体渗入工具, 切勿让工具的任何部件浸在液体中。

可选配件


 **警告:** 除了得伟提供的附件之外, 其他附件都未经此产品兼容性测试, 若将此类附件与本工具一起使用将存在安全隐患。为降低人身伤害风险, 本产品只可使用得伟推荐的附件。

有各种不同类型的 SDS MAX 凿子可供选购。SDS MAX 设备中使用的附件和附加装置必须定期进行润滑。请向您的经销商咨询更多关于合适附件的信息。

保护环境



分类回收。由此符号标记的产品和电池不得与普通家庭垃圾一起处理。

 产品和电池包含可恢复或回收的材料, 从而降低对原材料的需求。请根据当地供给回收电子产品和电池。要获得更多信息, 请参看 www.2helpU.com。

制造商: 百得 (苏州) 科技有限公司

地址: 江苏省苏州工业园区出口加工区苏虹中路 200 号

产地: 江苏苏州

产品中有害物质的名称及含量

部件名称 Parts name	有害物质					
	铅 (Pb)	汞 (Hg)	镉 (Cd)	六价铬 (Cr(VI))	多溴联苯 (PBB)	多溴二苯醚 (PBDE)
马达组件	O	O	O	O	O	O
机壳组件	O	O	O	O	O	O
控制部件 (开关, PCB 等)	X	O	O	O	O	O
传动部件	X	O	O	O	O	O
电线组件	X	O	O	O	O	O
附件 (钻头/ 砂轮片等)	O	O	O	O	O	O

本表格依据 SJ/T 11364 的规定编制。

O: 标识该有害物质在该部位所有均质材料中的含量均在 GB/T 26572 规定的限量要求以下。

X: 标识该有害物质至少在该部位的某一均质材料中的含量超出 GB/T 26572 规定的限量要求

备注: 本产品不必包含以上所述的所有部件。由于生产工艺和技术的不可替代性, 本产品中含有某些有害物质, 在环保使用期限内可以放心使用, 超过环保使用期限之后则应进入回收循环系统。

环保使用期限为“电子电气产品中含有的有害物质不会发生外泄或突变, 电子电气产品用户正常使用该电子电气产品不会对环境造成严重污染或对其人身、财产造成严重损害的期限”。



: 环保使用期限为 20 年。此环保使用期限不代表产品的安全使用期限和质量保证年限。

PALU PEMOTONG TUGAS BERAT

D25872

Selamat!

Anda telah memilih alat DeWALT. Pengalaman bertahun-tahun, pengembangan dan inovasi produk menyeluruh telah menjadikan DeWALT salah satu rekan yang paling mampu diandalkan bagi para pengguna alat listrik profesional.

Data Teknis

		D25872
Voltase	V_{AC}	220-240
Frekuensi	Hz	50/60
Masukan Daya	W	1600
Ketukan tanpa beban per menit	bpm	1350–2705
Daya tumbukan tunggal (EPTA 05/2009)	J	13,3
Penahan alat		SDS MAX
Diameter batang bor	mm	83
Berat (termasuk pegangan)	kg	8,8



PERINGATAN: Untuk mengurangi risiko cedera, baca buku petunjuk manual.

Definisi: Pedoman Keselamatan

Definisi berikut ini menjelaskan tingkat bahaya untuk setiap kata sinyal. Harap baca buku petunjuk dan perhatikan simbol-simbol ini.



BAHAYA: Mengindikasikan situasi berbahaya yang tak terelakkan, yang jika tidak dihindari, akan mengakibatkan **kematian atau cedera berat**.



PERINGATAN: Mengindikasikan situasi berbahaya yang berpotensi terjadi, yang jika tidak dihindari, dapat mengakibatkan **kematian atau cedera berat**.



PERHATIAN: Mengindikasikan situasi berbahaya yang berpotensi terjadi, yang jika tidak dihindari, dapat mengakibatkan **cedera ringan atau sedang**.

PEMBERITAHUAN: Mengindikasikan suatu praktik yang **tidak berhubungan dengan cedera diri**, yang jika tidak dihindari, **mungkin** mengakibatkan **kerusakan barang**.



Menunjukkan risiko sengatan listrik.



Menunjukkan risiko kebakaran.

Peringatan Keselamatan Alat Listrik Umum



PERINGATAN: Baca semua peringatan keamanan, petunjuk, ilustrasi, dan spesifikasi yang disertakan bersama alat listrik ini. Kegagalan mengikuti seluruh petunjuk yang tercantum di bawah ini dapat mengakibatkan sengatan listrik, kebakaran, dan/atau cedera berat.

SIMPAN SEMUA PERINGATAN DAN PETUNJUK UNTUK REFERENSI DI MASA MENDATANG

Istilah "alat listrik" dalam peringatan merujuk pada alat listrik beroperasi listrik induk (berkabel) atau alat listrik beroperasi baterai (nirkabel).

1) Keselamatan area kerja

- Jaga agar area kerja tetap bersih dan terang.**
Area yang berantakan atau gelap berpotensi mengakibatkan kecelakaan.
- Jangan mengoperasikan alat listrik di lingkungan yang mudah menimbulkan bahaya ledakan, seperti di tempat yang terdapat cairan, gas, atau debu yang mudah terbakar.** Alat listrik menimbulkan percikan api yang dapat menyulut debu atau asap.
- Jauhkan anak-anak dan orang-orang di sekitar Anda saat mengoperasikan alat listrik.** Gangguan dapat menyebabkan Anda kehilangan kendali.

2) Keselamatan kelistrikan

- Steker alat listrik harus sesuai dengan soketnya.** Jangan pernah memodifikasi steker dengan cara apa pun. Jangan gunakan steker adaptor apa pun dengan alat listrik yang dibumikan (diardekan). Steker yang tidak dimodifikasi dan stopkontak yang sesuai akan mengurangi risiko sengatan listrik.
- Hindari kontak badan dengan permukaan yang dibumikan atau diardekan, seperti pipa, radiator, kompor, dan kulkas.** Risiko sengatan listrik dapat meningkat jika tubuh Anda bersentuhan dengan permukaan yang dibumikan atau diardekan.
- Jangan sampai alat listrik ini terkena hujan atau terpapar ke kondisi yang basah.** Air yang masuk ke alat listrik akan meningkatkan risiko sengatan listrik.
- Jangan menyalahgunakan kabel.** Jangan sekali-kali menggunakan kabel untuk membawa, menarik, atau mencabut alat listrik. Jauhkan kabel dari panas, minyak, tepi tajam, atau komponen yang bergerak. Kabel yang rusak atau terbelit meningkatkan risiko sengatan listrik.
- Bila mengoperasikan alat listrik di luar ruangan, gunakan kabel ekstensi yang sesuai untuk penggunaan di luar ruangan.** Menggunakan kabel yang sesuai untuk penggunaan di luar ruangan akan mengurangi risiko sengatan listrik.
- Jika terpaksa mengoperasikan alat listrik di lokasi lembap, gunakan catu daya yang dilindungi pemutus sirkuit arus sisa (RCD).** Penggunaan RCD akan mengurangi risiko sengatan listrik.

3) Keselamatan diri

- a) **Tetap waspada, perhatikan apa yang Anda kerjakan dan gunakan akal sehat saat mengoperasikan alat listrik. Jangan mengoperasikan alat listrik bila Anda sedang lelah, atau berada di bawah pengaruh obat, alkohol, atau pengobatan.** Kelengahan sesaat saja saat mengoperasikan alat listrik dapat mengakibatkan cedera diri serius.
- b) **Gunakan peralatan pelindung diri. Selalu kenakan alat pelindung mata.** Peralatan pelindung, seperti masker debu, sepatu keselamatan antiselip, helm proyek, atau pelindung telinga yang digunakan untuk kondisi yang sesuai akan mengurangi risiko cedera diri.
- c) **Hindari menyalakan alat tanpa disengaja. Pastikan bahwa sakelar sudah dalam posisi mati sebelum menghubungkannya ke sumber listrik dan/atau baterai, mengambil, atau membawa alat.** Membawa alat listrik dengan jari Anda masih menempel pada tombol atau menghidupkan alat listrik yang tombolnya masih menyalakan akan berpotensi mengakibatkan kecelakaan.
- d) **Lepaskan semua kunci setelan atau kunci pas sebelum menghidupkan alat listrik.** Kunci pas atau kunci yang dibiarkan terpasang pada komponen alat listrik yang berputar dapat mengakibatkan cedera diri.
- e) **Jangan melampaui batas. Selalu jaga pijakan dan keseimbangan yang baik.** Hal ini memungkinkan Anda untuk mengendalikan alat listrik secara lebih baik dalam situasi yang tidak terduga.
- f) **Kenakan pakaian yang sesuai. Jangan mengenakan pakaian longgar atau perhiasan. Jauhkan rambut, pakaian dan sarung tangan dari komponen yang bergerak.** Pakaian yang longgar, perhiasan, atau rambut panjang dapat tersangkut pada komponen yang bergerak.
- g) **Jika disediakan perangkat untuk sambungan fasilitas pengeluaran dan pengumpulan debu, pastikan perangkat ini dihubungkan dan digunakan dengan sesuai.** Penggunaan alat pengumpul debu dapat mengurangi bahaya yang ditimbulkan oleh debu.

4) Penggunaan dan pemeliharaan alat listrik

- a) **Jangan menggunakan alat listrik dengan paksa. Gunakan alat listrik yang sesuai untuk aplikasi Anda.** Alat listrik yang tepat akan bekerja lebih baik dan aman pada tingkat kelajuan yang telah dirancang untuk alat itu.
- b) **Jangan gunakan alat listrik ini jika tombol tidak dapat menghidupkan dan mematikan alat.** Alat listrik apa pun yang tidak dapat dikendalikan dengan tombol adalah berbahaya dan harus diperbaiki.

- c) **Lepaskan stopkontak dari sumber listrik dan/atau baterai dari alat listrik sebelum melakukan penyetelan apa pun, mengganti aksesoris, atau menyimpan alat listrik.** Tindakan pencegahan untuk keselamatan seperti itu akan mengurangi risiko menyalakan alat listrik secara tidak disengaja.
- d) **Simpan alat listrik yang tidak digunakan jauh dari jangkauan anak-anak, dan jangan membolehkan orang yang tidak memahami alat listrik atau petunjuk ini untuk mengoperasikannya.** Alat listrik bisa berbahaya bila digunakan oleh pengguna yang tidak terlatih.
- e) **Rawat alat listrik. Lakukan pemeriksaan untuk mengetahui apakah ada komponen bergerak yang tidak sejajar atau bengkok, komponen yang patah, dan kondisi lainnya yang dapat mempengaruhi pengoperasian alat listrik. Jika rusak, perbaiki alat listrik sebelum digunakan.** Banyak terjadi kecelakaan akibat alat listrik yang tidak terawat dengan baik.
- f) **Jaga ketajaman dan kebersihan alat pemotong.** Alat pemotong yang terawat dengan baik dengan mata potong yang tajam akan kecil kemungkinannya untuk macet serta lebih mudah untuk dikendalikan.
- g) **Gunakan alat listrik, aksesoris, dan mata bor, dsb. sesuai petunjuk-petunjuk ini, dengan memperhitungkan persyaratan kerja dan jenis pekerjaan yang harus dilakukan.** Penggunaan alat listrik untuk pengoperasian yang tidak sesuai dengan tujuan penggunaan dapat mengakibatkan situasi yang berbahaya.

5) Servis

- a) **Alat listrik sebaiknya diservis oleh teknisi yang berkualifikasi dan hanya menggunakan komponen pengganti yang persis sama.** Hal ini akan membuat keamanan alat listrik selalu terjaga.

Petunjuk Keselamatan Tambahan untuk Palu Pemotong

- **Gunakan pelindung telinga.** Paparan terhadap kebisingan dapat menyebabkan kehilangan pendengaran.
- **Gunakan pegangan tambahan yang disertakan dengan alat ini.** Hilangnya kendali dapat menimbulkan cedera diri.
- **Pegang alat listrik pada permukaan pegangan berinsulasi saat melakukan operasi karena aksesoris pemotong dapat mengenai kabel yang tersembunyi atau kabelnya sendiri.** Aksesoris pemotong yang bersentuhan dengan kabel bertegangan listrik dapat mengalirkan arus listrik pada komponen logam alat listrik dan mengakibatkan sengatan listrik pada pengguna.

- **Gunakan jepitan atau cara praktis lain untuk mengamankan dan menyangga benda yang dikerjakan pada landasan yang stabil.** Memegang benda yang dikerjakan dengan tangan atau disandarkan pada tubuh Anda akan membuatnya tidak stabil dan dapat mengakibatkan hilangnya kendali.
- **Gunakan kacamata pengaman atau pelindung mata lainnya.** Operasi penempaan dapat mengakibatkan serpihan beterbangan. Partikel-partikel yang beterbangan dapat mengakibatkan cedera mata permanen. Gunakan masker atau respirator debu untuk aplikasi yang menimbulkan debu. Pelindung telinga mungkin dibutuhkan untuk sebagian besar aplikasi.
- **Selalu pegang alat dengan kencang.** Jangan coba mengoperasikan alat ini tanpa memegangnya dengan kedua tangan. Anda dianjurkan untuk selalu menggunakan pegangan samping. Pengoperasian alat ini dengan satu tangan akan mengakibatkan hilangnya kendali. Penembusan atau penempaan material keras semacam tulang beton juga dapat berbahaya. Kencangkan betul pegangan samping sebelum menggunakan alat.
- **Jangan operasikan alat ini untuk jangka waktu yang lama.** Getaran akibat kerja palu dapat mencederai tangan dan lengan Anda. Gunakan sarung tangan sebagai bantalan tambahan dan batasi paparan dengan cara sering melakukan pengistirahatan.
- **Jangan merekondisi mata bor sendiri.** Rekondisi alat pahat harus dikerjakan oleh seorang spesialis resmi. Alat pahat yang tidak direkondisi dengan benar dapat mengakibatkan cedera.
- **Gunakan sarung tangan saat mengoperasikan alat atau mengganti mata bor.** Komponen logam alat dan mata bor yang dapat disentuh bisa menjadi sangat panas selama pengoperasian. Pecahan-pecahan kecil material yang hancur dapat mencederai tangan telanjang.
- **Jangan pernah meletakkan alat sampai mata bor sudah berhenti total.** Mata bor yang masih bergerak dapat mengakibatkan cedera.
- **Jangan pukul mata bor yang macet dengan palu untuk melepaskannya.** Pecahan logam atau serpihan material dapat terlepas dan mengakibatkan cedera.
- **Alat pahat yang agak tumpul dapat ditajamkan ulang dengan gerinda.**
- **Jauhkan kabel daya dari mata bor.** Jangan belitkan kabel pada anggota tubuh Anda. Kabel listrik yang membelit mata bor yang berputar dapat mengakibatkan cedera diri dan hilangnya kendali.



PERINGATAN: Kami merekomendasikan penggunaan perangkat arus sisa dengan nilai arus sisa sebesar 30mA atau kurang.

Risiko-risiko Lain

Risiko-risiko ini rentan terjadi dalam penggunaan palu pemotong:

- Cedera akibat menyentuh komponen alat yang berputar atau bersuhu panas.

Sekalipun peraturan keselamatan terkait sudah diterapkan dan peralatan pengaman sudah digunakan, risiko-risiko lain tertentu tidak dapat dihindari. Antara lain:

- Kerusakan indera pendengaran.
- Risiko terjepitnya jari saat mengganti aksesoris.
- Bahaya kesehatan yang disebabkan karena menghirup debu saat mengerjakan beton dan/atau batu.
- Risiko cedera pribadi karena partikel-partikel yang beterbangan.
- Risiko luka bakar karena aksesoris menjadi panas selama operasi.
- Risiko cedera pribadi karena penggunaan berkepanjangan.

Keselamatan Kelistrikan

Motor listrik dirancang hanya untuk satu voltase. Selalu periksa apakah catu daya sesuai dengan nilai tegangan yang tercantum pada papan nilai.



Alat DeWALT Anda sudah diinsulasi ganda sesuai EN60745; karena itu, tidak membutuhkan kabel yang dibumikan.

Bila kabel suplai rusak, harus diganti dengan kabel khusus yang disediakan oleh organisasi layanan DeWALT.

Menggunakan Kabel Ekstensi

Jika kabel sambungan diperlukan, gunakan kabel sambungan 3 inti yang disetujui dan sesuai untuk input daya alat ini (lihat **Data Teknis**). Ukuran konduktor minimum adalah 1,5 mm²; panjang maksimum adalah 30 m.

Bila menggunakan gulungan kabel, selalu ulur kabel sepenuhnya.

Isi Kemasan

Kemasan berisi:

- 1 Palu pemotong
- 1 Pegangan samping
- 1 Buku petunjuk

- Periksa kemungkinan adanya kerusakan pada alat, komponen, atau aksesoris yang bisa jadi terjadi selama transportasi.
- Luangkan waktu untuk membaca seluruh isi buku petunjuk ini dan memahaminya sebelum pengoperasian.

Tanda pada Alat

Gambar-gambar berikut ini tertera pada alat:



Baca buku petunjuk manual sebelum penggunaan.



Gunakan pelindung telinga.



Gunakan pelindung mata.

Posisi Kode Tanggal (Gbr. A)

Kode tanggal **11**, yang juga mencantumkan tahun produksi, dicetak pada kerangka alat.

Contoh:

2017 XX XX
Tahun Pembuatan

Penjelasan (Gbr. A)



PERINGATAN: Jangan pernah memodifikasi alat listrik atau komponennya. Ini dapat mengakibatkan kerusakan atau cedera pribadi.

- | | |
|----------------------------|--|
| 1 Sakelar ON/OFF | 8 Tombol kendali kecepatan dan tumbukan elektronik |
| 2 Pegangan samping | 9 Lubang pemasangan DEWALT Tool Tag |
| 3 Penutup Depan (Bantalan) | 10 Sekrup untuk pemasangan pegangan samping |
| 4 Tombol pemilih mode | 11 Kode tanggal |
| 5 Pegangan utama | |
| 6 Penahan alat | |
| 7 Lengan pengunci | |

Tujuan Penggunaan

Palu pemotong Anda dirancang untuk aplikasi pemotongan dan pemahatan profesional.

JANGAN gunakan dalam kondisi basah atau di dekat cairan maupun gas yang mudah terbakar.

Palu pemotong Anda adalah alat listrik profesional.

JANGAN biarkan anak-anak bersentuhan dengan alat ini.

Dibutuhkan pengawasan bila alat ini digunakan oleh operator yang belum berpengalaman.

- **Anak-anak dan orang lemah.** Peralatan ini tidak ditujukan untuk digunakan oleh anak-anak atau orang yang lemah tanpa adanya pengawasan.
- Produk ini tidak ditujukan untuk penggunaan oleh orang (termasuk anak-anak) yang menderita kekurangan kemampuan fisik, sensorik, atau mental; kurang pengalaman, pengetahuan, atau keahlian, kecuali apabila mereka diawasi oleh orang yang bertanggung jawab atas keselamatan mereka. Jangan pernah meninggalkan anak-anak sendirian dengan produk ini.

Sistem Kendali Vibrasi Aktif (AVC)

Untuk kendali vibrasi terbaik, pegang alat seperti yang dijelaskan dalam **Posisi Tangan yang Benar** dan berikan tekanan secukupnya, sehingga perangkat redaman pada pegangan utama kurang lebih memperoleh tekanan sedang.

Kendali vibrasi aktif menetralkan vibrasi pantul dari mekanisme palu. Ini memungkinkan penggunaan yang lebih nyaman untuk jangka waktu lebih lama dan memperpanjang usia pakai alat dengan cara memperendah vibrasi tangan dan lengan.

Palu hanya membutuhkan cukup tekanan untuk memulai kendali vibrasi aktif. Penggunaan tekanan yang terlalu besar tidak akan membuat alat poteng lebih cepat dan kendali vibrasi aktif tidak akan berjalan.

DEWALT Tool Tag Tersedia (Gbr.A)

Aksesori yang Dapat Dipilih

Palu Anda dilengkapi dengan lubang pemasangan DEWALT Tool Tag **9** dan pengencang untuk memasang DEWALT Tool Tag. Anda memerlukan ujung mata bor T20 untuk memasang kabel. DEWALT Tool Tag dirancang untuk melacak dan menemukan alat listrik, peralatan, dan mesin profesional menggunakan aplikasi DEWALT Tool Connect™. Untuk pemasangan DEWALT Tool Tag yang benar, lihat buku petunjuk DEWALT Tool Tag.

Kendali Kecepatan dan Tumbukan Elektronik (Gbr. A)

Kendali kecepatan dan tumbukan elektronik memungkinkan kendali alat yang optimal untuk pemahatan yang tepat.

Untuk menyatel tombol kendali kecepatan dan tumbukan elektronik **8**, nyalakan tombol sesuai dengan tingkat yang diinginkan. Semakin tinggi angkanya, semakin besar kecepatan dan daya tumbukannya. Pengaturan tombol menjadikan alat sangat mudah digunakan dan dapat disesuaikan untuk berbagai aplikasi. Pengaturan yang diperlukan tergantung dengan ukuran mata bor dan kekerasan material yang sedang dipahat.

- Saat memahat bahan yang lunak dan rapuh atau harus mencegah kerusakan sekecil mungkin, setel tombol ke setelan rendah;
- Saat memahat bahan yang lebih keras, setel tombol ke setelan tinggi.

PERAKITAN DAN PENYESUAIAN



PERINGATAN: Untuk mengurangi risiko cedera pribadi yang berat, matikan alat dan lepaskan dari sumber listrik sebelum melakukan penyesuaian apa pun atau melepaskan/memasang pelengkap atau aksesori. Pastikan tombol berada di posisi OFF. Mendadak menyala dapat mengakibatkan cedera.

Pegangan Samping (Gbr. B)



PERINGATAN: Untuk mengurangi risiko cedera diri, **SELALU** operasikan alat dengan pegangan samping yang sudah terpasang betul. Kegagalan untuk melakukan hal ini dapat mengakibatkan pegangan samping tergelincir pada saat mengoperasikan alat dan diikuti dengan hilangnya kendali. Pegang alat dengan kedua tangan untuk memaksimalkan kendali.

Pegangan samping **2** menjepit bagian depan kotak persneling dan dapat diputar 360° untuk penggunaan tangan kanan atau tangan kiri.

Memasang Perakitan Pegangan Samping (Gbr. B)

1. Perlebar bukaan cincin **12** pegangan samping **2** dengan memutar sekrup untuk pemasangan pegangan samping **10** ke arah berlawanan jarum jam.
2. Sorongkan rakitan ke alat dengan meletakkan alat melalui cincin baja **12** dan ke bantalan **3** melewati penahan dan lengan alat pahat.

3. Putar rakitan pegangan samping ke posisi yang diinginkan.
4. Kunci rakitan pemasang pegangan samping pada tempatnya dengan benar-benar mengencangkan sekrup untuk pemasangan pegangan samping **10**, lalu memutarnya searah jarum jam, sehingga rakitan tersebut tidak akan berputar.

Mata Bor dan Dudukan Kepala

PERINGATAN: *Bahaya Terbakar. SELALU kenakan sarung tangan saat mengganti aksesoris. Komponen logam alat dan mata bor yang dapat disentuh bisa menjadi sangat panas selama pengoperasian. Pecahan-pecahan kecil material yang hancur dapat mencederaikan tangan telanjang.*

PERINGATAN: *Jangan pernah mengencangkan atau mengendurkan mata pahat (atau aksesoris apa pun) dengan cara memegang erat bagian depan gagang greek dan menyalaikan alat. Ini dapat mengakibatkan kerusakan gagang greek dan cedera diri.*

Palu pemotong dapat dipasang ke berbagai mata bor alat pahat tergantung pada aplikasi yang diinginkan. **Gunakan hanya mata bor yang tajam.**

Memasukkan Dan Melepaskan Aksesoris SDS MAX (Gbr. C)

CATATAN: Aksesoris dan pelengkap yang digunakan harus dilumasi di sekitar pelengkap SDS sebelum pemasangan.

1. Tarik lengan pengunci **7** dan masukkan batang mata bor. Batang mata bor harus bersih.
2. Putar mata bor sedikit hingga lengan masuk ke tempatnya.
3. Pastikan mata bor terpasang dengan benar.
CATATAN: Mata bor perlu dimasukkan dan dikeluarkan beberapa sentimeter dari pemegang alat **6** ketika sudah terpasang dengan benar.
4. Untuk melepas mata bor, tarik lengan pengunci dan keluarkan mata bor.

Penyesuaian Posisi Mata Bor

Putar pemilih mode ke ikon penyesuaian mata bor (Lihat **Pemilihan Mode**) untuk menyesuaikan alat pahat ke posisi yang diinginkan. Ada beberapa posisi untuk mengatur sudut alat pahat.

CATATAN: Setelah menemukan posisi yang diinginkan, sedikit bolak balik mata bor alat pahat untuk memastikan alat pahat terpasang dengan benar.

PENGOPERASIAN

Petunjuk Penggunaan

PERINGATAN: *Selalu patuhi petunjuk keselamatan dan peraturan yang berlaku.*

PERINGATAN: *Untuk mengurangi risiko cedera pribadi yang berat, matikan alat dan lepaskan dari sumber listrik sebelum melakukan penyesuaian apa pun atau melepaskan/memasang pelengkap atau aksesoris. Pastikan tombol berada di posisi OFF. Mendadak menyala dapat mengakibatkan cedera.*

Posisi Tangan yang Benar (Gbr. D)

PERINGATAN: *Untuk mengurangi risiko cedera diri yang serius, SELALU gunakan posisi tangan yang tepat sesuai petunjuk gambar.*



PERINGATAN: *Untuk mengurangi risiko cedera diri yang serius, SELALU pegang dengan erat untuk mengantisipasi reaksi mendadak.*

Posisi tangan yang benar berarti satu tangan pada pegangan samping yang dipasang **2** dan tangan lainnya pada pegangan utama **5**.

Pemilihan Mode (Gbr. E)

PERINGATAN: *Jangan memilih mode operasi bila alat sedang dijalankan. Alat harus benar-benar berhenti sebelum mengaktifkan tombol pemilih mode atau dapat mengakibatkan kerusakan pada alat.*

Alat Anda dilengkapi dengan tombol pemilih mode **4** untuk memilih mode yang tepat sesuai dengan operasi yang diinginkan.

Simbol	Modus	Aplikasi
	Penyesuaian Mata Bor	Penyesuaian posisi mata bor alat pahat
	Memalu/Memotong	Pemotongan, pemahatan, dan penghancuran ringan

Untuk Memilih Mode:

- Putar tombol pemilih mode sehingga tanda panah mengarah ke simbol yang sesuai dengan mode yang diinginkan.

CATATAN: Tanda panah pada tombol pemilih mode **4** harus selalu mengarah ke simbol mode. Tidak ada posisi operasi antara.

Mengatur Posisi Pahat (Gbr. E)

Pahat dapat disusun dan dikunci ke dalam 24 posisi yang berbeda.

1. Putar tombol pemilih mode **4** hingga mengarah ke posisi **0**.
2. Putar pahat ke posisi yang diinginkan.
3. Setel sakelar pemilih mode **4** ke posisi "Penempatan".
4. Putar pahat sampai terkunci di posisinya.

Menjalankan Aplikasi (Gb. A, E)

PERINGATAN: UNTUK MENGURANGI RISIKO CEDERA DIRI, SELALU pastikan bahwa bahan kerja sudah ditahan atau dijepit erat.

CATATAN: Suhu pengoperasian alat ini adalah 7 hingga +40°. Menggunakan alat di luar kisaran suhu ini akan mengurangi masa pakai alat ini.

1. Masukkan alat pahat yang sesuai dan putar dengan tangan untuk mengunci ke posisi yang diinginkan. Lihat **Mata Bor dan Dudukan Mata Bor**.
2. Gunakan tombol pemilih mode **4**, pilih mode pemotongan. Lihat **Pemilihan Mode**.

3. Sesuaikan pegangan samping 2 sesuai kebutuhan. Lihat **Memasang Perakitan Pegangan Samping**.
4. Tempatkan pahat pada lokasi yang diinginkan.
5. Tekan sakelar ON/OFF 1.
6. Untuk menghentikan palu, lepas sakelar ON/OFF.

PEMELIHARAAN

Alat listrik DEWALT telah dirancang untuk penggunaan jangka panjang dengan pemeliharaan minimal. Pengoperasian yang memuaskan secara terus-menerus bergantung pada cara pemeliharaan yang benar dan pembersihan alat secara teratur.



PERINGATAN: Untuk mengurangi risiko cedera pribadi yang berat, matikan alat dan lepaskan dari sumber listrik sebelum melakukan penyesuaian apa pun atau melepaskan/memasang pelengkap atau aksesoris. Pastikan tombol berada di posisi OFF. Mendadak menyala dapat mengakibatkan cedera.



Pelumas

Alat listrik Anda tidak membutuhkan pelumas tambahan.



Pembersihan



PERINGATAN: Semprot ke luar kotoran dan debu pada bodi utama dengan udara kering sesering mungkin saat kotoran terlihat mengendap di dalam dan di sekitar ventilasi udara. Gunakan pelindung mata yang sesuai dan masker debu yang sesuai bilamana mengerjakan prosedur ini.



PERINGATAN: Jangan gunakan pelarut atau bahan kimia keras lainnya untuk membersihkan bagian alat yang tidak terbuat dari logam. Zat-zat kimia tersebut dapat merapuhkan bahan yang digunakan dalam komponen-komponen ini. Gunakan kain yang dilembapkan hanya dengan air dan sabun yang lembut. Jangan sampai bagian dalam alat kemasukan air; jangan pernah rendam komponen alat dalam cairan.

Aksesoris yang Dapat Dipilih



PERINGATAN: Berhubung aksesoris-aksesoris lain, di luar yang disediakan oleh DEWALT, belum pernah diuji coba menggunakan produk ini, maka penggunaan aksesoris semacam itu dengan alat ini dapat berbahaya. Untuk mengurangi risiko cedera, gunakan hanya aksesoris DEWALT yang disarankan dengan produk ini.

Berbagai tipe mata bor dan alat pahat SDS MAX tersedia sebagai pilihan. Aksesoris dan pelengkap yang digunakan harus dilumasi secara berkala di sekitar pelengkap SDS MAX.

Tanyakan kepada dealer Anda untuk informasi selengkapnya seputar aksesoris yang sesuai.

Melindungi Lingkungan



Pengumpulan terpisah. Produk dan baterai yang ditandai dengan simbol ini tidak boleh dibuang bersama dengan sampah rumah tangga biasa.

Produk dan baterai berisi bahan yang dapat digunakan kembali atau didaur ulang yang mengurangi permintaan kebutuhan bahan baku. Harap mendaur ulang produk listrik dan baterai sesuai dengan ketentuan setempat. Informasi selengkapnya tersedia di www.2helpU.com.

BÚA ĐỤC CÔNG SUẤT CAO D25872

Xin chúc mừng!

Bạn đã chọn thiết bị của DEWALT. Qua nhiều năm kinh nghiệm, những đổi mới và phát triển sản phẩm một cách toàn diện đã khiến DEWALT trở thành một trong những đối tác tin cậy nhất đối với người sử dụng dụng cụ điện cầm tay chuyên nghiệp.

Thông số kỹ thuật

		D25872
Điện áp	V _{AC}	220-240
Tần số	Hz	50/60
Công suất đầu vào	W	1600
Số lần đập không tải/phút	bpm	1350–2705
Lực đập đơn (EPTA 05/2009)	J	13,3
Đầu gài mũi đục		SDS MAX
Đường kính vòng điều chỉnh	mm	83
Trọng lượng (kể cả cán)	kg	8,8



CẢNH BÁO: Để giảm nguy cơ chấn thương, hãy đọc hướng dẫn sử dụng này.

Định nghĩa: Hướng dẫn an toàn

Các định nghĩa dưới đây mô tả mức độ nghiêm trọng của từng ký hiệu. Vui lòng đọc hướng dẫn sử dụng và chú ý đến các ký hiệu này.



NGUY HIỂM: Chỉ tình huống nguy hiểm sắp xảy ra, nếu không phòng tránh, sẽ gây tử vong hoặc chấn thương nghiêm trọng.



CẢNH BÁO: Chỉ tình huống nguy hiểm tiềm ẩn, nếu không phòng tránh, có thể gây tử vong hoặc chấn thương nghiêm trọng.



THẬN TRỌNG: Chỉ tình huống nguy hiểm tiềm ẩn, nếu không phòng tránh, có thể gây chấn thương nhẹ hoặc vừa.

LƯU Ý: Chỉ một hành động không liên quan đến chấn thương cá nhân nếu không phòng tránh, có thể gây hư hỏng tài sản.



Biểu thị nguy cơ bị điện giật.



Biểu thị nguy cơ hỏa hoạn.

Cảnh báo chung về an toàn cho dụng cụ điện cầm tay



CẢNH BÁO: Đọc kỹ mọi cảnh báo an toàn, hướng dẫn, minh họa và thông số kỹ thuật đi kèm theo dụng cụ điện cầm tay này. Việc không tuân theo tất cả các hướng dẫn được liệt kê bên dưới có thể dẫn đến điện giật, cháy và/hoặc chấn thương nghiêm trọng.

GIỮ LẠI MỌI CẢNH BÁO VÀ HƯỚNG DẪN ĐỂ SAU NÀY THAM KHẢO

Thuật ngữ “dụng cụ điện cầm tay” trong phần cảnh báo chỉ thiết bị chạy bằng điện nguồn (có dây điện) hoặc thiết bị chạy bằng pin (không có dây điện).

1) An toàn tại nơi làm việc

- Khu vực làm việc phải sạch sẽ và đủ ánh sáng.** Những khu vực bừa bộn hoặc thiếu ánh sáng dễ gây tai nạn.
- Không vận hành dụng cụ điện cầm tay trong các môi trường dễ cháy nổ, như các môi trường có chất lỏng, khí ga hoặc bụi dễ cháy.** Dụng cụ điện cầm tay tạo ra các tia lửa điện có thể gây cháy bụi hoặc bốc khói.
- Không cho trẻ em và những người quan sát lại gần khi đang vận hành dụng cụ điện cầm tay.** Những lúc xao lãng có thể khiến bạn mất kiểm soát.

2) An toàn điện

- Phích cắm của dụng cụ điện cầm tay phải vừa với ổ cắm. Không được sửa đổi phích cắm dưới bất kỳ hình thức nào.** Không sử dụng các loại phích cắm nối cho dụng cụ điện cầm tay có nối đất. Phích cắm nguyên trạng và ổ cắm phù hợp sẽ giúp giảm nguy cơ bị điện giật.
- Tránh tiếp xúc với các bề mặt được nối đất như đường ống, lò sưởi, bếp nướng và tủ lạnh.** Nguy cơ bị điện giật sẽ cao hơn nếu cơ thể bạn nối đất.
- Không để các dụng cụ điện cầm tay ngoài trời mưa hoặc ở nơi ẩm ướt.** Nước vào trong dụng cụ điện cầm tay sẽ làm tăng nguy cơ bị điện giật.

- d) **Không dùng dây điện cho các mục đích khác. Tuyệt đối không sử dụng dây điện để mang, kéo hoặc rút phích cắm dụng cụ điện cầm tay. Để dây điện cách xa nguồn nhiệt, dầu mỡ, các cạnh sắc hoặc các bộ phận chuyển động. Dây điện bị hỏng hoặc bị vướng sẽ làm tăng nguy cơ bị điện giật.**
- e) **Khi vận hành dụng cụ điện cầm tay ngoài trời, hãy sử dụng dây nối dài phù hợp để sử dụng ngoài trời. Sử dụng dây điện phù hợp để sử dụng ngoài trời sẽ giúp giảm nguy cơ bị điện giật.**
- f) **Nếu bắt buộc phải vận hành dụng cụ điện cầm tay ở nơi ẩm ướt, hãy sử dụng nguồn được bảo vệ bởi thiết bị ngắt mạch tự động (RCD). Sử dụng RCD giúp giảm nguy cơ bị điện giật.**

3) An toàn cá nhân

- a) **Hãy tập trung, chú ý vào những gì bạn đang làm và tinh táo khi vận hành dụng cụ điện cầm tay. Không được sử dụng dụng cụ điện cầm tay khi bạn đang mệt hoặc đang bị ảnh hưởng của ma túy, rượu hoặc thuốc. Chỉ một khoảnh khắc mất tập trung trong khi vận hành dụng cụ điện cầm tay cũng có thể dẫn đến chấn thương cá nhân nghiêm trọng.**
- b) **Sử dụng thiết bị bảo hộ cá nhân. Luôn đeo kính bảo hộ. Thiết bị bảo hộ như mặt nạ chống bụi, giày chống trượt, mũ cứng hoặc thiết bị bảo vệ tai - nếu được sử dụng ở những điều kiện phù hợp - sẽ giúp giảm các chấn thương cá nhân.**
- c) **Tránh vô tình bật máy. Đảm bảo rằng công tắc ở vị trí tắt trước khi nối với nguồn điện và/hoặc pin, khi cắm hoặc mang dụng cụ. Việc cắm dụng cụ điện cầm tay khi ngón tay đặt vào công tắc hoặc sạc pin cho dụng cụ điện cầm tay khi công tắc đang bật có thể gây tai nạn.**
- d) **Hãy tháo hết khóa điều chỉnh hoặc cờ lê trước khi bật dụng cụ điện cầm tay. Cờ lê hoặc khóa vẫn để ở bộ phận quay của dụng cụ điện cầm tay có thể dẫn đến chấn thương cá nhân.**
- e) **Không được với tay. Hãy đứng ở tư thế thích hợp và luôn giữ thăng bằng. Điều đó giúp kiểm soát dụng cụ điện cầm tay tốt hơn trong các tình huống bất ngờ.**
- f) **Mặc quần áo phù hợp. Không mặc quần áo rộng hoặc đeo đồ trang sức. Giữ cho tóc, quần áo và găng tay tránh xa các bộ phận chuyển động. Quần áo rộng, đồ trang sức hoặc tóc dài có thể bị mắc vào các bộ phận chuyển động.**

- g) **Nếu các thiết bị được cung cấp để kết nối các phương tiện hút hoặc gom bụi, phải đảm bảo những thiết bị này được kết nối và sử dụng đúng cách. Sử dụng thiết bị gom bụi có thể giảm các nguy cơ liên quan đến bụi.**

4) Sử dụng và bảo quản dụng cụ điện cầm tay

- a) **Sử dụng dụng cụ điện cầm tay phù hợp. Sử dụng dụng cụ điện cầm tay phù hợp với mục đích của bạn. Dụng cụ phù hợp sẽ giúp bạn làm việc hiệu quả và an toàn hơn theo đúng tốc độ được thiết kế.**
- b) **Không sử dụng dụng cụ điện cầm tay nếu công tắc không bật và tắt được. Những dụng cụ điện cầm tay không điều khiển được bằng công tắc đều rất nguy hiểm và cần phải được sửa chữa.**
- c) **Rút phích cắm dụng cụ điện cầm tay ra khỏi nguồn điện và/hoặc pin ra khỏi dụng cụ điện cầm tay trước khi thực hiện các điều chỉnh, thay phụ kiện hoặc bảo quản dụng cụ điện cầm tay. Các biện pháp an toàn phòng ngừa đó giúp giảm nguy cơ vô tình khởi động dụng cụ điện cầm tay.**
- d) **Bảo quản các dụng cụ điện cầm tay không sử dụng xa tầm tay trẻ em và không cho phép những người không quen với dụng cụ điện cầm tay hoặc những hướng dẫn này vận hành dụng cụ điện cầm tay. Dụng cụ điện cầm tay sẽ rất nguy hiểm khi được sử dụng bởi những người chưa được huấn luyện.**
- e) **Bảo trì dụng cụ điện cầm tay. Kiểm tra các bộ phận di chuyển xem có bị lắp lệch hoặc kẹt không, các bộ phận có bị vỡ không và bất kỳ tình trạng nào khác có thể ảnh hưởng đến việc vận hành dụng cụ điện cầm tay. Nếu dụng cụ điện cầm tay bị hỏng, hãy sửa chữa trước khi sử dụng. Rất nhiều tai nạn xảy ra do công tác bảo trì các dụng cụ điện cầm tay không đảm bảo.**
- f) **Đảm bảo các thiết bị cắt luôn sắc và sạch sẽ. Các dụng cụ cắt được bảo trì đúng cách với các cạnh cắt sắc sẽ ít bị kẹt hơn và dễ điều khiển hơn.**
- g) **Sử dụng dụng cụ điện cầm tay, các phụ kiện và mũi đục, v.v...theo các hướng dẫn này, chú ý đến các điều kiện làm việc và công việc cần thực hiện. Sử dụng dụng cụ điện cầm tay sai mục đích có thể gây nguy hiểm.**

5) Bảo dưỡng

- a) **Hãy để nhân viên bảo dưỡng có chuyên môn tiến hành bảo dưỡng dụng cụ điện cầm tay cho bạn và chỉ sử dụng các bộ phận thay thế chính hãng.** Điều này giúp đảm bảo độ an toàn của dụng cụ điện cầm tay đó.

Các hướng dẫn an toàn bổ sung về búa đục

- **Mang thiết bị bảo vệ tai.** Việc tiếp xúc với tiếng ồn có thể làm giảm thính lực.
- **Sử dụng tay cầm phụ kèm theo dụng cụ.** Việc mất khả năng kiểm soát có thể gây chấn thương cá nhân.
- **Chỉ cầm dụng cụ điện cầm tay ở phần bề mặt tay cầm cách điện khi thực hiện thao tác mà phụ kiện cắt có thể tiếp xúc với hệ thống dây điện chìm hoặc dây điện của chính dụng cụ.** Phụ kiện cắt tiếp xúc với dây "có điện" có thể khiến các bộ phận kim loại hở của dụng cụ điện cầm tay "nhiễm điện" và khiến người vận hành bị điện giật.
- **Dùng kẹp hay áp dụng một biện pháp thực tế khác nhằm cố định và đỡ phôi gia công trên bàn máy.** Giữ phôi bằng tay hay dựa vào người làm đều làm cho phôi không vững và có thể dẫn tới mất kiểm soát.
- **Đeo kính bảo hộ hoặc các thiết bị bảo vệ mắt khác.** Công tác đục búa có thể làm bắn ra các mảnh vụn. Những mảnh vụn này có thể gây ra những tổn thương lâu dài cho mắt. Đeo mặt nạ chống bụi hoặc khẩu trang cho những hoạt động phát sinh bụi. Cần có thiết bị bảo vệ tai cho hầu hết các hoạt động.
- **Luôn cầm chắc dụng cụ.** Không cố vận hành dụng cụ khi không cầm được dụng cụ bằng cả hai tay. Khuyến nghị rằng nên sử dụng tay cầm bên mọi lúc. Vận hành dụng cụ này bằng một tay sẽ gây mất kiểm soát. Việc đục qua hoặc gặp vật liệu cứng như thanh cốt thép cũng có thể gây nguy hiểm. Vận chặt tay cầm bên chắc chắn trước khi sử dụng.
- **Không vận hành dụng cụ này trong thời gian dài.** Rung chấn từ hoạt động của máy đục có thể nguy hiểm cho bàn tay và cánh tay bạn. Đeo găng tay để có thêm lớp bảo vệ và hạn chế tiếp xúc bằng cách thường xuyên nghỉ giải lao.
- **Không tự điều chỉnh lại mũi đục.** Việc điều chỉnh lại mũi đục nên được chuyên gia ủy quyền thực hiện. Mũi đục được điều chỉnh lại không đúng cách có thể gây chấn thương.

- **Đeo găng tay khi vận hành công cụ hoặc thay mũi đục.** Các bộ phận kim loại tiếp cận được trên công cụ và mũi đục có thể trở nên rất nóng trong quá trình vận hành. Mũi đục nhỏ làm bằng vật liệu bị vỡ có thể gây ảnh hưởng xấu khi dùng tay không.
- **Tuyệt đối không đặt dụng cụ xuống cho đến khi mũi đục dừng hẳn.** Mũi đục chuyển động có thể gây ra chấn thương.
- Không dùng búa đập vào mũi đục bị kẹt để tháo chúng ra. Các mảnh vụn kim loại hoặc mặt vật liệu có thể văng ra và gây thương tích.
- **Mũi đục bị mòn ít có thể được mài sắc lại bằng cách mài.**
- **Bảo quản dây điện tránh xa mũi đục.** Không quấn dây điện xung quanh bất kỳ bộ phận nào của cơ thể. Dây điện quấn xung quanh mũi đang quay có thể gây ra chấn thương cá nhân và mất kiểm soát.



CẢNH BÁO: Bạn nên sử dụng thiết bị ngắt mạch tự động có cường độ dòng dư định mức từ 30mA trở xuống.

Các nguy cơ khác

Có thể xảy ra các nguy cơ sau khi dùng búa đục:

- **Chấn thương do chạm vào các bộ phận quay hoặc các bộ phận nóng của dụng cụ**

Cho dù áp dụng các quy tắc an toàn liên quan và dùng các thiết bị an toàn cũng không thể tránh được một số nguy cơ khác. Những nguy cơ này gồm:

- Suy giảm thính lực.
- Nguy cơ bị chèn các ngón tay khi thay phụ kiện.
- Các nguy cơ sức khỏe do hít phải bụi khi làm việc với bê tông và/hoặc gạch vữa.
- Nguy cơ chấn thương cá nhân do các hạt bay vào người.
- Nguy cơ bị bỏng do các phụ kiện bị nóng trong khi vận hành.
- Nguy cơ chấn thương cá nhân do sử dụng trong thời gian dài.

An toàn điện

Động cơ điện được thiết kế để sử dụng tại một mức điện áp duy nhất. Luôn kiểm tra nguồn điện có tương ứng với điện áp trên biển thông số định mức hay không.



Dụng cụ DEWALT này đã được cách điện kép theo tiêu chuẩn EN60745; do vậy không cần dây nối đất.

Nếu dây cấp điện bị hỏng, phải thay bằng dây mới được cung cấp riêng tại cơ sở bảo dưỡng của DEWALT.

Sử dụng dây điện nối dài

Nếu cần dùng dây điện nối dài, hãy sử dụng loại dây 3 lõi được chấp nhận phù hợp với công suất đầu vào của dụng cụ này (xem phần **Thông số kỹ thuật**). Kích thước dây dẫn tối thiểu là 1,5 mm²; chiều dài tối đa là 30 m.

Khi sử dụng tang dây, luôn trải hết dây ra.

Thiết bị trong hộp

Hộp sản phẩm bao gồm:

- 1 Búa đục
- 1 Tay cầm bên
- 1 Hướng dẫn sử dụng
- *Kiểm tra dụng cụ, các bộ phận hoặc phụ kiện xem có bị hư hỏng do quá trình vận chuyển hay không.*
- *Dành thời gian đọc kỹ và hiểu rõ hướng dẫn sử dụng trước khi vận hành máy.*

Ký hiệu trên dụng cụ

Trên máy có các ký hiệu sau:



Đọc kỹ hướng dẫn sử dụng trước khi dùng.



Mang thiết bị bảo vệ tai.



Đeo kính bảo hộ.

Vị trí mã ngày (Hình A)

Mã ngày **11**, bao gồm cả năm sản xuất, được in trên vỏ máy.

Ví dụ:

2017 XX XX

Năm sản xuất

Mô tả (hình A)



CẢNH BÁO: Không sửa đổi dụng cụ điện cầm tay hay bất kỳ bộ phận nào của máy. Việc sửa có thể làm hỏng dụng cụ điện cầm tay hoặc gây chấn thương cá nhân.

- | | |
|---------------------------|-----------------------------|
| 1 Công tắc bật/tắt | 9 Lỗ gắn thẻ dụng cụ DEWALT |
| 2 Tay cầm bên | 10 Vít để lắp tay cầm bên |
| 3 Vành đệm trước | 11 Mã ngày |
| 4 Núm chọn chế độ | |
| 5 Tay cầm chính | |
| 6 Đầu gài mũi đục | |
| 7 Vòng khóa | |
| 8 Núm điều tốc và lực đập | |

Mục đích sử dụng

Búa đục này được thiết kế cho các ứng dụng đục và đục chuyên nghiệp.

KHÔNG sử dụng máy ở những nơi ẩm ướt hoặc có chất lỏng hoặc khí dễ cháy.

Búa đục này là dụng cụ điện cầm tay chuyên nghiệp.

KHÔNG để trẻ em tiếp xúc với dụng cụ. Cần phải có người giám sát khi dụng cụ này được vận hành bởi người chưa có kinh nghiệm.

- **Trẻ em và người không đủ sức khỏe.** Thiết bị này không được thiết kế cho trẻ em hoặc người không đủ sức khỏe sử dụng mà không có sự giám sát.
- Không cho phép những người (bao gồm cả trẻ em) bị suy giảm năng lực thể chất, trí tuệ hoặc cảm giác, hay người thiếu kinh nghiệm, kiến thức hoặc kỹ năng sử dụng dụng cụ điện cầm tay này, trừ khi có sự giám sát của người chịu trách nhiệm về vấn đề an toàn của họ. Tuyệt đối không được để trẻ em một mình với sản phẩm này.

Hệ thống kiểm soát độ rung chủ động (AVC)

Để kiểm soát độ rung được tốt nhất, giữ dụng cụ như mô tả trong phần **Vị trí tay phù hợp** và dùng lực vừa đủ để cơ cấu giảm chấn trên tay cầm chính ở vị trí khoảng giữa.

Hệ thống kiểm soát độ rung chủ động vô hiệu hóa độ rung bật ngược lại từ cơ cấu búa. Nhờ giảm độ rung ở tay và cánh tay, hệ thống cho phép sử dụng búa thoải mái hơn trong thời gian lâu hơn, đồng thời kéo dài tuổi thọ của thiết bị.

Búa chỉ cần lực vừa đủ để kích hoạt hệ thống kiểm soát độ rung chủ động. Việc tác động lực quá mức có thể làm dụng cụ đục nhanh hơn và hệ thống kiểm soát độ rung chủ động sẽ không hoạt động.

Thẻ dụng cụ DEWALT có sẵn (Hình A)

Phụ kiện tùy chọn

Máy đục búa này đi kèm với lỗ gắn thẻ dụng cụ DEWALT **9** và đinh ghim để lắp đặt một Thẻ dụng cụ DEWALT. Bạn sẽ cần một đầu mũi vít T20 để lắp thẻ. Thẻ dụng cụ DEWALT được thiết kế để theo dõi và định vị các dụng cụ điện, thiết bị và máy móc chuyên nghiệp bằng cách sử dụng ứng dụng DEWALT Tool Connect™. Để lắp đặt Thẻ dụng cụ DEWALT đúng cách, hãy tham khảo hướng dẫn sử dụng Thẻ dụng cụ DEWALT.

Tính năng điều tốc và lực đập (Hình A)

Tính năng điều tốc và lực đập cho phép điều khiển dụng cụ tối ưu để đục chính xác.

Để đặt nút điều tốc và lực đập **8**, hãy xoay nút đến mức mong muốn. Số càng lớn thì tốc độ và lực đập càng mạnh. Các mức cài đặt cho nút giúp dụng cụ trở nên cực kỳ linh hoạt và có thể đáp ứng cho nhiều ứng dụng khác nhau. Cài đặt cần thiết phụ thuộc vào kích cỡ mũi đục và độ cứng của vật liệu được đục.

- Khi đục vật liệu mềm, giòn hoặc khi cần phá tối thiểu, hãy đặt nút điều chỉnh về mức thấp;
- Khi phá các vật liệu cứng hơn, hãy đặt nút điều chỉnh về mức cao.

LẮP RÁP VÀ ĐIỀU CHỈNH

! **CẢNH BÁO:** Để giảm nguy cơ chấn thương cá nhân nghiêm trọng, hãy tắt máy và ngắt kết nối khỏi nguồn điện trước khi thực hiện bất kỳ điều chỉnh nào hoặc tháo/lắp các đồ gá hoặc phụ kiện. Đảm bảo công tắc bật/tắt ở vị trí OFF. Việc vô tình khởi động có thể gây chấn thương.

Tay cầm bên (Hình B)

! **CẢNH BÁO:** Để giảm rủi ro về chấn thương cá nhân, LUÔN vận hành dụng cụ với tay cầm bên được lắp đúng cách. Nếu không thực hiện được như vậy có thể dẫn đến tay cầm phụ trượt ra trong quá trình vận hành dụng cụ và gây mất kiểm soát. Cầm dụng cụ bằng cả hai tay để tối đa khả năng kiểm soát.

Tay cầm bên **2** được gắn với phía trước của vỏ hộp tốc độ và có thể quay 360° để sử dụng cho cả tay trái và tay phải.

Lắp cụm tay cầm bên (Hình B)

1. Nới rộng khẩu độ khung vòng **12** của tay cầm bên **2** bằng cách vặn vít lắp tay cầm bên **10** theo chiều ngược chiều kim đồng hồ.
2. Trượt cụm tay cầm bên trên mũi dụng cụ qua vòng thép **12** và đặt trên vành **3** qua đầu giữ mũi đục và ống lót.
3. Xoay cụm tay cầm bên vào vị trí mong muốn.
4. Khóa cụm lắp tay cầm bên vào vị trí bằng cách siết chặt vít lắp tay cầm bên **10**, xoay theo chiều kim đồng hồ cho đến khi cụm không quay nữa.

Mũi đục và giá đỡ mũi đục

! **CẢNH BÁO:** Nguy cơ gây bỏng. **LUÔN** đeo găng tay khi bạn thay mũi đục. Các bộ phận kim loại tiếp cận được trên công cụ và mũi đục có thể trở nên rất nóng trong quá trình vận hành. Mũi đục nhỏ làm bằng vật liệu bị vỡ có thể gây ảnh hưởng xấu khi dùng tay không.

! **CẢNH BÁO:** Không xiết chặt hay nói lỏng mũi đục (hoặc bất kỳ phụ kiện nào khác) bằng cách cầm phần phía trước của đầu kẹp và bật dụng cụ. Việc này có thể khiến đầu kẹp bị hỏng và gây chấn thương cá nhân.

Có thể lắp búa đục với các mũi đục khác nhau tùy theo ứng dụng. **Chỉ sử dụng mũi đục sắc.**

Tháo và lắp mũi SDS MAX (Hình C)

LƯU Ý: Phải thực dụng xuyên tra dầu cho các phụ kiện và đồ gá sử dụng gắn thiết bị SDS trước khi lắp.

1. Kéo ống lót hãm **7** ra phía sau và lắp chuỗi đục. Chuôi đục phải sạch sẽ.
2. Xoay nhẹ mũi đục cho đến khi ống kẹp quay khớp vào vị trí.
3. Đảm bảo mũi đục được gắn chính xác.

LƯU Ý: Khi được lắp chính xác, mũi đục phải có thể di chuyển ra vào vài centimet so với đầu giữ dụng cụ **6**.

4. Để tháo mũi đục, kéo ống lót hãm và kéo mũi đục ra.

Điều chỉnh vị trí mũi đục

Xoay nút chọn chế độ đến biểu tượng điều chỉnh mũi đục (Tham khảo **Chọn chế độ**) để điều chỉnh mũi đục đến vị trí mong muốn. Có nhiều vị trí để đặt góc của mũi đục.

LƯU Ý: Sau khi tìm được vị trí mong muốn, di chuyển nhẹ mũi đục tới lui để đảm bảo mũi đục được lắp đúng vị trí.

VẬN HÀNH

Hướng dẫn sử dụng

! **CẢNH BÁO:** Luôn tuân theo các hướng dẫn và quy tắc hiện hành về an toàn.

! **CẢNH BÁO:** Để giảm nguy cơ chấn thương cá nhân nghiêm trọng, hãy tắt máy và ngắt kết nối khỏi nguồn điện trước khi thực hiện bất kỳ điều chỉnh nào hoặc tháo/lắp các đồ gá hoặc phụ kiện. Đảm bảo công tắc bật/tắt ở vị trí OFF. Việc vô tình khởi động có thể gây chấn thương.

Vị trí tay phù hợp (Hình D)

! **CẢNH BÁO:** Để giảm nguy cơ chấn thương cá nhân nghiêm trọng, **LUÔN** để tay ở vị trí phù hợp như hình vẽ.

! **CẢNH BÁO:** Để giảm nguy cơ chấn thương cá nhân nghiêm trọng, **LUÔN** giữ chặt tay để tránh trường hợp bị giật lại đột ngột.

Vị trí tay phù hợp yêu cầu một tay đặt lên tay cầm bên **2**, còn tay kia đặt lên tay cầm chính **5**.

Chọn chế độ (Hình E)

! **CẢNH BÁO:** Không chọn chế độ vận hành khi dụng cụ đang chạy. Dụng cụ phải dừng hẳn trước khi kích hoạt nút công tắc chọn chế độ hoặc có thể làm hỏng dụng cụ.

Dụng cụ được lắp nút chọn chế độ **4** để chọn chế độ thích hợp với hoạt động mong muốn.

Ký hiệu	Chế độ	Sử dụng
O	Điều chỉnh mũi đục	Điều chỉnh vị trí mũi đục
T	Đập/Đẽo	Đẽo nhẹ, đục và phá

Để chọn chế độ

- Xoay nút chọn chế độ sao cho mũi tên chỉ vào biểu tượng tương ứng dành cho chế độ mong muốn.

LƯU Ý: Mũi tên trên nút chọn chế độ **4** phải luôn chỉ đến biểu tượng chế độ. Các vị trí giữa các ký hiệu không vận hành được.

Ký hiệu vị trí mũi đục (Hình E)

Mũi đục có thể được ký hiệu và khóa vào 24 vị trí khác nhau.

1. Xoay công tắc chọn chế độ **4** cho đến khi chỉ vào vị trí **O**.
2. Xoay mũi đục vào vị trí mong muốn.
3. Đặt công tắc chọn chế độ **4** tới vị trí "Đục/Đẽo".
4. Vận mũi đục cho tới khi được khóa vào vị trí.

Thực hiện một Ứng dụng (Hình A, E)

! **CẢNH BÁO: ĐỂ GIẢM NGUY CƠ CHẤN THƯƠNG CÁ NHÂN, LUÔN** đảm bảo phối gia công đã được neo hoặc kẹp chặt.

LƯU Ý: Nhiệt độ vận hành của dụng cụ này là từ 7 đến +40° C. Việc sử dụng dụng cụ ở ngoài khoảng nhiệt độ này sẽ khiến tuổi thọ của dụng cụ bị giảm đi.

1. Lắp mũi đục phù hợp rồi dùng tay xoay mũi đục để khóa nó vào vị trí mong muốn. Tham khảo **Mũi đục và giá đỡ mũi đục**.
2. Dùng nút chọn chế độ **4**, để chọn chế độ đẽo. Tham khảo phần **Chọn chế độ**.
3. Điều chỉnh tay cầm bên **2** nếu cần. Tham khảo phần **Lắp cụm tay cầm bên**.
4. Đặt mũi đục lên vị trí mong muốn.
5. Ấn công tắc bật/tắt **1**.
6. Để dừng khoan búa, nhả tay ra khỏi công tắc bật/tắt.

BẢO TRÌ

Dụng cụ điện cầm tay của DEWALT được thiết kế để vận hành trong thời gian dài và ít phải bảo trì nhất. Dụng cụ vận hành liên tục theo ý muốn tùy thuộc vào việc bảo quản dụng cụ đúng cách và vệ sinh thường xuyên.

! **CẢNH BÁO: Để giảm nguy cơ chấn thương cá nhân nghiêm trọng, hãy tắt máy và ngắt kết nối khỏi nguồn điện trước khi thực hiện bất kỳ điều chỉnh nào hoặc tháo/lắp các đồ gá hoặc phụ kiện. Đảm bảo công tắc bật/tắt ở vị trí OFF. Việc vô tình khởi động có thể gây chấn thương.**



Tra dầu

Dụng cụ điện cầm tay này không cần tra thêm dầu.



Vệ sinh

! **CẢNH BÁO:** Thường xuyên thổi bụi bằng khí vô dụng cụ khi thấy bám bụi xung quanh các khe thông gió. Đeo kính bảo hộ và mặt nạ chống bụi được phê duyệt khi thực hiện quy trình này.

! **CẢNH BÁO:** Tuyệt đối không sử dụng các dung môi và hóa chất mạnh để vệ sinh các bộ phận không làm bằng kim loại của dụng cụ. Các hóa chất này có thể làm tổn hại đến các nguyên vật liệu sử dụng trong các bộ phận này. Chỉ sử dụng khăn được làm ẩm bằng nước và xả phòng có tinh tẩy nhẹ. Tuyệt đối không để chất lỏng lọt vào bên trong dụng cụ; không được ngâm các bộ phận của dụng cụ vào chất lỏng.

Phụ kiện tùy chọn



CẢNH BÁO: Vì các phụ kiện, ngoài các phụ kiện do DEWALT cung cấp, chưa được kiểm tra với sản phẩm này nên việc sử dụng chúng cùng với dụng cụ này có thể gây nguy hiểm. Để giảm nguy cơ chấn thương, chỉ được sử dụng các phụ kiện do DEWALT khuyến nghị cho sản phẩm này.

Có nhiều loại mũi đục SDS MAX khác nhau để bạn lựa chọn. Phải thường xuyên tra dầu cho các phụ kiện và đồ gá sử dụng gắn thiết bị SDS MAX.

Hỏi ý kiến đại lý để biết thêm thông tin về các phụ kiện phù hợp.

Bảo vệ môi trường



Thu gom riêng. Không được vứt bỏ sản phẩm và pin có ký hiệu này cùng với rác thải sinh hoạt thông thường.

Sản phẩm và pin chứa vật liệu có thể thu hồi hoặc tái chế giúp giảm nhu cầu về vật liệu thô. Vui lòng tái chế sản phẩm điện và pin theo quy định của địa phương. Thông tin thêm có sẵn tại www.2helpU.com.