

---

**DEWALT**®

---

**[www.DEWALT.com](http://www.DEWALT.com)**

**DWP849XD**

---

English(original)

4

---

中文 (简体)

13

---

FIG. 1 (图1)

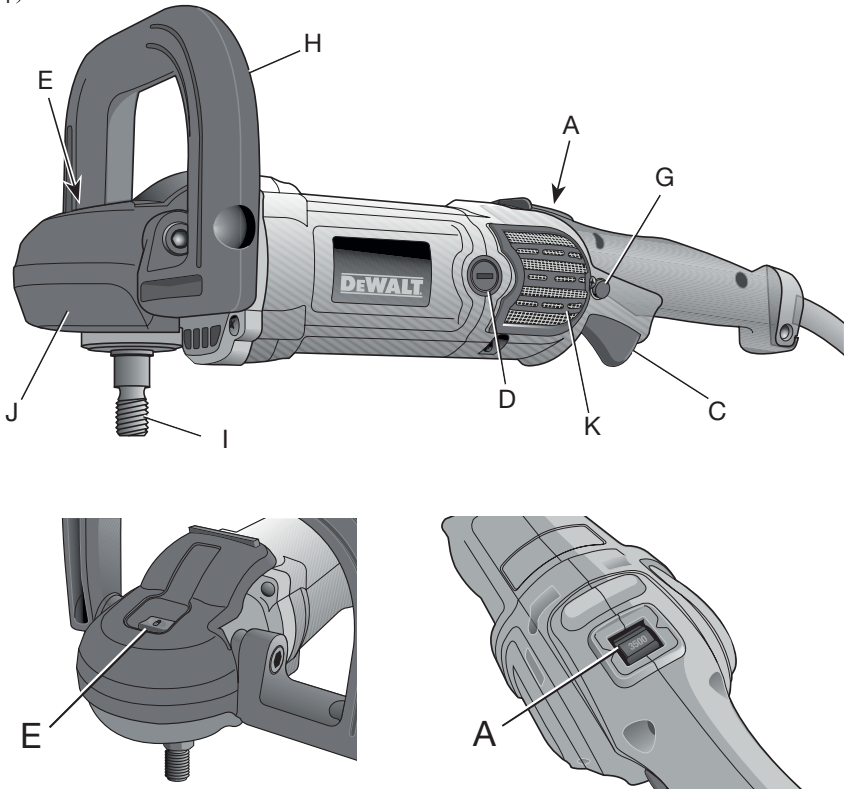


FIG. 2 (图2)

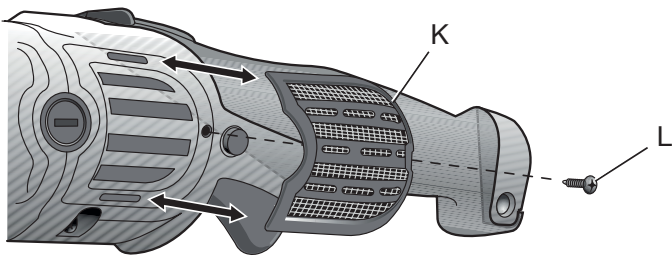


FIG. 3A(图3A)

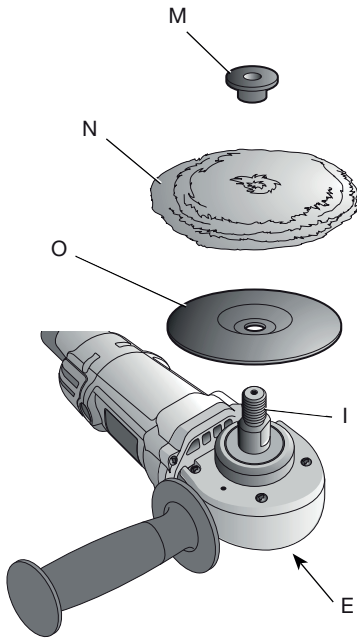
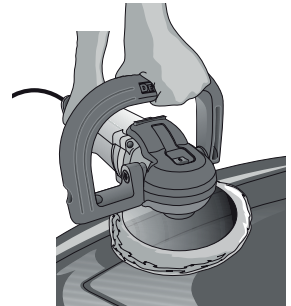
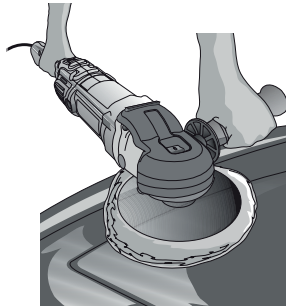
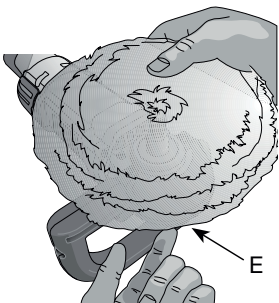
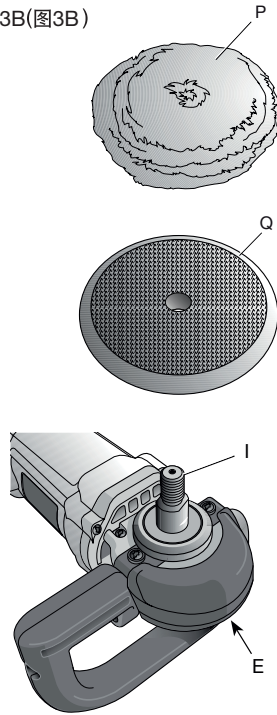


FIG. 3B(图3B)





# POLISHERS

## DWP849XD

### Congratulations!

You have chosen a DEWALT power tool. Years of experience, thorough product development and innovation make DEWALT one of the most reliable partners for professional power tool users.

### Technical data

		DWP849XD
Rated voltage	V <sub>AC</sub>	220-240
Rated frequency	Hz	50/60
Power input	W	1250
Rated speed	min <sup>-1</sup>	0-600/0-3500
Pop-off brushes		Yes
Spindle		M14
Side handle		D-handle
Weight	kg	3.0

### Definitions: Safety Guidelines

The definitions below describe the level of severity for each signal word. Please read the manual and pay attention to these symbols.



**DANGER:** Indicates an imminently hazardous situation which, if not avoided, **will** result in **death or serious injury**.



**WARNING:** Indicates a potentially hazardous situation which, if not avoided, **could** result in **death or serious injury**.



**CAUTION:** Indicates a potentially hazardous situation which, if not avoided, **may** result in **minor or moderate injury**.

**CAUTION:** Used without the safety alert symbol indicates a potentially hazardous situation which, if not avoided, **may** result in **property damage**.



Denotes risk of electric shock.



Denotes risk of fire.



**WARNING:** To reduce the risk of injury, read the instruction manual.



Always wear safety glasses.

### Double Insulation



The tool is double insulated. Double insulation means that all the external metal parts are electrically insulated from the mains power supply. This is done by placing insulated barriers between the electrical and mechanical components so as to making unnecessary for the tool to be earthed.

**NOTE:** Double insulation does not take the place of normal safety precautions when operating this tool. The insulation system is for added protection against injury resulting from a possible electrical insulation failure within the tool.

### General Power Tool Safety Warnings



**WARNING! Read all safety warnings and all instructions** Failure to follow the warnings and instructions may result in electric shock, fire and/or serious injury.

#### SAVE ALL WARNINGS AND INSTRUCTIONS FOR FUTURE REFERENCE.

The term "power tool" in the warnings refers to your mains-operated (corded) power tool or battery-operated (cordless) power tool.

**1) WORK AREA SAFETY**

- a) **Keep work area clean and well lit.** Cluttered or dark areas invite accidents.
- b) **Do not operate power tools in explosive atmospheres, such as in the presence of flammable liquids, gases or dust.** Power tools create sparks which may ignite the dust or fumes.
- c) **Keep children and bystanders away while operating a power tool.** Distractions can cause you to lose control.

**2) ELECTRICAL SAFETY**

- a) **Power tool plugs must match the outlet. Never modify the plug in any way. Do not use any adapter plugs with earthed (grounded) power tools.** Unmodified plugs and matching outlets will reduce risk of electric shock.
- b) **Avoid body contact with earthed or grounded surfaces such as pipes, radiators, ranges and refrigerators.** There is an increased risk of electric shock if your body is earthed or grounded.
- c) **Do not expose power tools to rain or wet conditions.** Water entering a power tool will increase the risk of electric shock.
- d) **Do not abuse the cord. Never use the cord for carrying, pulling or unplugging the power tool. Replace damaged cords immediately. Keep cord away from heat, oil, sharp edges or moving parts.** Damaged or entangled cords increase the risk of electric shock.
- e) **When operating a power tool outdoors, use an extension cord suitable for outdoor use.** Use of a cord suitable for outdoor use reduces the risk of electric shock.
- f) **If operating a power tool in a damp location is unavoidable, use a residual current device (RCD) protected supply.** Use of an RCD reduces the risk of electric shock.

**3) PERSONAL SAFETY**

- a) **Stay alert, watch what you are doing and use common sense when operating a power tool. Do not use a power tool while you are tired or under the influence of drugs, alcohol or medication.** A moment of inattention while operating power tools may result in serious personal injury.
- b) **Use personal protective equipment. Always wear eye protection.** Protective equipment such as dust mask, non-skid safety shoes, hard hat, or hearing protection used for appropriate conditions will reduce personal injuries.

- c) **Prevent unintentional starting. Ensure the switch is in the off-position before connecting to power source and/or battery pack, picking up or carrying the tool.** Carrying power tools with your finger on the switch or energising power tools that have the switch on invites accidents.
- d) **Remove any adjusting key or wrench before turning the power tool on.** A wrench or a key left attached to a rotating part of the power tool may result in personal injury.
- e) **Do not overreach. Keep proper footing and balance at all times.** This enables better control of the power tool in unexpected situations.
- f) **Dress properly. Do not wear loose clothing or jewellery. Keep your hair, clothing and gloves away from moving parts.** Loose clothes, jewellery or long hair can be caught in moving parts.
- g) **If devices are provided for the connection of dust extraction and collection facilities, ensure these are connected and properly used.** Use of dust collection can reduce dust-related hazards.

**4) POWER TOOL USE AND CARE**

- a) **Do not force the power tool. Use the correct power tool for your application.** The correct power tool will do the job better and safer at the rate for which it was designed.
- b) **Do not use the power tool if the switch does not turn it on and off.** Any power tool that cannot be controlled with the switch is dangerous and must be repaired.
- c) **Disconnect the plug from the power source and/or the battery pack from the power tool before making any adjustments, changing accessories, or storing power tools.** Such preventive safety measures reduce the risk of starting the power tool accidentally.
- d) **Store idle power tools out of the reach of children and do not allow persons unfamiliar with the power tool or these instructions to operate the power tool.** Power tools are dangerous in the hands of untrained users.
- e) **Maintain power tools. Check for misalignment or binding of moving parts, breakage of parts and any other condition that may affect the power tools operation. If damaged, have the power tool repaired**

*before use. Many accidents are caused by poorly maintained power tools.*

- f) **Keep cutting tools sharp and clean.** Properly maintained cutting tools with sharp cutting edges are less likely to bind and are easier to control.
- g) **Use the power tool, accessories and tool bits etc., in accordance with these instructions taking into account the working conditions and the work to be performed.** Use of the power tool for operations different from those intended could result in a hazardous situation.

**5) SERVICE**

- a) **Have your power tool serviced by a qualified repair person using only identical replacement parts.** This will ensure that the safety of the power tool is maintained.
- b) **When servicing a tool, use only identical replacement parts. Follow instructions in the Maintenance section of this manual.** Use of unauthorized parts or failure to follow maintenance instructions may create a risk of electric shock or injury.

**Safety instructions for All operations**

- a) **This power tool is intended to function as a polisher. Read all safety warnings, instructions, illustrations and specifications provided with this power tool.** Failure to follow all instructions listed below may result in electric shock, fire and/or serious injury.
- b) **Operations such as grinding, sanding, wire brushing or cutting-off are not recommended to be performed with this power tool.** Operations for which the power tool was not designed may create a hazard and cause personal injury.
- c) **Do not use accessories which are not specifically designed and recommended by the tool manufacturer.** Just because the accessory can be attached to your power tool, it does not assure safe operation.
- d) **The rated speed of the accessory must be at least equal to the maximum speed marked on the power tool.** Accessories running faster than their rated speed can break and fly apart.
- e) **The outside diameter and the thickness of your accessory must be within the**

**capacity rating of your power tool.** Incorrectly sized accessories cannot be adequately guarded or controlled.

- f) **The arbor size of wheels, flanges, backing pads or any other accessory must properly fit the spindle of the power tool.** Accessories with arbor holes that do not match the mounting hardware of the power tool will run out of balance, vibrate excessively and may cause loss of control.
- g) **Do not use a damaged accessory.** Before each use inspect the accessory such as abrasive wheels for chips and cracks, backing pad for cracks, tear or excess wear, wire brush for loose or cracked wires. If power tool or accessory is dropped, inspect for damage or install an undamaged accessory. After inspecting and installing an accessory, position yourself and bystanders away from the plane of the rotating accessory and run the power tool at maximum no-load speed for one minute. Damaged accessories will normally break apart during this test time.
- h) **Wear personal protective equipment.** Depending on application, use face shield, safety goggles or safety glasses. As appropriate, wear dust mask, hearing protectors, gloves and workshop apron capable of stopping small abrasive or workpiece fragments. The eye protection must be capable of stopping flying debris generated by various operations. The dust mask or respirator must be capable of filtrating particles generated by your operation. Prolonged exposure to high intensity noise may cause hearing loss.
- i) **Keep bystanders a safe distance away from work area. Anyone entering the work area must wear personal protective equipment.** Fragments of workpiece or of a broken accessory may fly away and cause injury beyond immediate area of operation.
- j) **Position the cord clear of the spinning accessory.** If you lose control, the cord may be cut or snagged and your hand or arm may be pulled into the spinning accessory.
- k) **Never lay the power tool down until the accessory has come to a complete stop.** The spinning accessory may grab the surface and pull the power tool out of your control.
- l) **Do not run the power tool while carrying it at your side.** Accidental contact with the spinning accessory could snag your clothing, pulling the accessory into your body.

- m) **Regularly clean the power tool's air vents.** The motor's fan will draw the dust inside the housing and excessive accumulation of powdered metal may cause electrical hazards.
- n) **Do not operate the power tool near flammable materials.** Sparks could ignite these materials.
- o) **Do not use accessories that require liquid coolants.** Using water or other liquid coolants may result in electrocution or shock.
- d) **Use special care when working corners, sharp edges, etc. Avoid bouncing and snagging the accessory.** Corners, sharp edges or bouncing have a tendency to snag the rotating accessory and cause loss of control or kickback.
- e) **Do not attach a saw chain woodcarving blade or toothed saw blade.** Such blades create frequent kickback and loss of control.

## Safety Warnings Specific for Polishing operations

- a) **Do not allow any loose portion of the polishing bonnet or its attachment strings to spin freely. Tuck away or trim any loose attachment strings.** Loose and spinning attachment strings can entangle your fingers or snag on the workpiece.
- b) **When adding lubricating oil and changing accessories please follow this manual instruction.**
- c) **The handle must keep dry clean and without oil.**

## Additional Specific Safety instructions for Polishers

- **Always use eye protection.** All users and bystanders must wear eye protection that conforms to ANSI Z87.1.
- **Clean out your tool often, especially after heavy use.** Dust and grit containing metal particles often accumulate on interior surfaces and could create an electric shock hazard.
- **Do not operate this tool for long periods of time.** Vibration caused by the operating action of this tool may cause permanent injury to fingers, hands and arms. Use gloves to provide extra cushion, take frequent rest periods and limit daily time of use.
- **Air vents often cover moving parts and should be avoided.** Loose clothes, jewelry or long hair can be caught in moving parts.



**WARNING:** ALWAYS use safety glasses. Everyday eyeglasses are NOT safety glasses. Also use face or dust mask if cutting operation is dusty. ALWAYS WEAR CERTIFIED SAFETY EQUIPMENT.



**WARNING:** Always wear proper personal hearing protection that conforms to ANSI S12.6 (S3.19) during use. Under some conditions and

## Further Safety instructions for All operations

### KICKBACK AND RELATED WARNINGS

Kickback is a sudden reaction to a pinched or snagged rotating wheel, backing pad, brush or any other accessory. Pinching or snagging causes rapid stalling of the rotating accessory which in turn causes the uncontrolled power tool to be forced in the direction opposite of the accessory's rotation at the point of the binding.

For example, if an abrasive wheel is snagged or pinched by the workpiece, the edge of the wheel that is entering into the pinch point can dig into the surface of the material causing the wheel to climb out or kick out. The wheel may either jump toward or away from the operator, depending on direction of the wheel's movement at the point of pinching. Abrasive wheels may also break under these conditions.

Kickback is the result of tool misuse and/or incorrect operating procedures or conditions and can be avoided by taking proper precautions as given below:

- a) **Maintain a firm grip on the power tool and position your body and arm to allow you to resist kickback forces. Always use auxiliary handle, if provided, for maximum control over kickback or torque reaction during start up.** The operator can control torque reaction or kickback forces, if proper precautions are taken.
- b) **Never place your hand near the rotating accessory.** Accessory may kickback over your hand.
- c) **Do not position your body in the area where power tool will move if kickback occurs.** Kickback will propel the tool in direction opposite to the wheel's movement at the point of snagging.

duration of use, noise from this product may contribute to hearing loss.



**WARNING:** Use of this tool can generate and/or disperse dust, which may cause serious and permanent respiratory or other injury. Always use NIOSH/OSHA approved respiratory protection appropriate for the dust exposure. Direct particles away from face and body.



**CAUTION:** Use extra care when working into a corner because a sudden, sharp movement of the polisher may be experienced when the wheel or other accessory contacts a secondary surface or a surface edge.

- The label on your tool may include the following symbols. The symbols and their definitions are as follows:

V.....volts

A.....amperes

Hz.....hertz


W.....watts

min.....minutes

~ .....alternating current

— — — .....direct current

n.....rated speed

 .....Class II Construction

 .....safety alert symbol

 .....earthing terminal

.../min....revolutions per minute

- E. Spindle lock button
- G. Trigger locking button
- H. D-handle
- I. Spindle
- J. Soft rubber gear case cover
- K. Wool ingestion shield
- L. Screw

**INTENDED USE**

The DWP849XD heavy-duty polishers are designed for professional use at various work sites (i.e., construction sites). Do not use under humid conditions or in presence of flammable liquids or gases.

The DWP849XD heavy-duty polishers are professional power tools. Do not let children come into contact with the tool. Supervision is required when inexperienced operators use this tool.

**Variable Speed Trigger Switch (fig. 1)**

These tools are equipped with a variable speed trigger switch that permits speed control from 0 to 3500 RPM. To turn the tool on, squeeze the trigger switch (C) shown in Figure 1 until the tool starts to run. The farther you depress the trigger, the faster it will operate. Releasing the trigger turns the tool off.

Use lower speeds for applying liquid waxes and polishes and higher speeds for removing dried liquid. Use the highest speed (fully depress trigger) for buffing the car to a final lustre. The tool can be locked on for continuous use by squeezing the trigger switch fully and depressing the lock button (G) shown in Figure 1. Hold the lock button in as you gently release the trigger switch. The tool will

**Save These Instructions**

**Motor**

Your DEWALT tool is powered by a DEWALT-built motor. Be sure your power supply agrees with the nameplate marking. Voltage decrease of more than 10% will cause loss of power and overheating. DEWALT tools are factory tested; if this tool does not operate, check power supply.

**Components (fig. 1)**



**WARNING:** Never modify the power tool or any part of it. Damage or personal injury could result.

- A. Speed control wheel
- B. Hook and loop backing pad
- C. Variable speed trigger switch
- D. Brush inspection cap

continue to run. To turn the tool off from a locked-on position, squeeze and release the trigger switch once. Do not unplug the tool with the switch in the locked-on condition. Make sure the tool is not locked on when plugging in. If the tool is plugged back in with the switch in the locked-on position, the tool will not run until the lock button (G) is depressed (no-volt release).

**NOTE:** The trigger switch can only be locked on with the tool running at the maximum RPM designated by the speed control wheel (A).

## Speed control Wheel (fig. 1)

The maximum speed of your tool can be changed by rotating the speed control wheel (A) to the desired setting. The wheel incorporates detents to prevent inadvertent wheel movement and to facilitate speed selection. For added versatility, the trigger switch may be locked in its full on position and tool speed changed by means of the speed control wheel (A) alone. The electronic speed control not only lets you select the speed to suit the job, but also helps to maintain that speed as you load the tool by pressing down. It's this feature, coupled with the variable speed trigger switch, that make this tool such a value.

The speed control wheel (A) can be set for any speed between 600 and 3500 RPM and the variable speed switch will then control tool speed from zero to the wheel setting. For example: A control wheel setting of 2200 RPM will allow the variable speed switch to operate the tool between zero and 2200 RPM, depending on how far the trigger switch is depressed. A wheel setting of 600 RPM would allow the switch to operate the tool from zero to 600 RPM.

The electronic speed control feature comes into play whenever the trigger switch is fully depressed and the tool is running at the selected speed determined by the setting of the control wheel. As you load the tool by pushing it down on the work surface, (with the trigger fully depressed) the electronic circuit inside the tool will compensate for the loading and maintain the selected speed. If the speed selected by the control wheel is 2200 RPM, as in the example above, the tool will maintain 2200 RPM, as it is loaded.

It is important to remember two things about electronic speed control:

1. The electronic speed control operates only when the trigger switch (C) is fully depressed.
2. The effect of electronic speed control is much easier to observe at lower speed settings

(2600 RPM and below), than at high speeds. As the tool approaches 3000 RPM, the effect is considerably less dramatic.

Keep in mind that, with a conventional polisher running at a typical no-load speed of 2400 RPM, the tool slows down to about 2000 RPM under a polishing load. Your DWP894X will continue to run at 2400 RPM (or any speed you select with the control wheel) as a load is applied. Since it doesn't slow down, the speed may be greater than you're used to, so some extra caution should be observed until you get the "feel" of your polisher. If you feel the speed is too great, you can, of course, slow the tool down with either the trigger switch or the control wheel.

## Spindle Lock Button (fig. 1)



**WARNING:** To reduce the risk of serious personal injury, turn tool off and disconnect tool from power source before making any adjustments or removing/installing attachments or accessories. Before reconnecting the tool, depress and release the trigger switch to ensure that the tool is off.

In order to prevent the spindle of the tool from rotating while installing or removing accessories, a spindle lock button (E) has been provided in the gear head of the machine. To lock the spindle, depress and hold the lock button. NEVER DEPRESS THE SPINDLE LOCK BUTTON WITH THE TOOL RUNNING OR COASTING.

## Wool Ingestion Shields (fig. 1, 2)

The wool ingestion shields (K) are designed to reduce the amount of wool, dust, and debris that gets ingested by the motor during normal use. The goal of the ingestion shields is to improve durability as compared to a unit without the ingestion shields.

Each ingestion shield can be easily removed for cleaning by removing the mounting screw (L), followed by sliding the shield back towards the trigger end of the tool and then lifting it off. The wool ingestion shields can be cleaned with soap and water and a soft bristle brush in the event they get clogged with polish and debris. Clean the shields as soon as you start to see buildup on the outside. Your tool may come with a set of wool ingestion shields. The wool ingestion shields are available at extra cost from your local dealer or authorized service center.



## Soft Rubber Gear Case Cover (fig. 1)

The soft rubber gear case cover (J) is designed to eliminate metal gear case scuffs on painted or polished surfaces.

The soft rubber gear case cover can be removed if required. To take off the cover, remove the three mounting screws and lift the cover over the gear case.

Your tool may come with a soft rubber gear case cover. The soft rubber gear case cover is available at extra cost from your local dealer or authorized service center.

## Operation



**WARNING:** To reduce the risk of serious personal injury, turn tool off and disconnect tool from power source before making any adjustments or removing/installing attachments or accessories. Before reconnecting the tool, depress and release the trigger switch to ensure that the tool is off.

## Attaching And Removing Polishing Pads (fig. 3B)



**WARNING:** To reduce the risk of serious personal injury, do not allow any loose portion of the polishing bonnet or its attachment strings to spin freely. Tuck away or trim any loose attachment strings. Loose and spinning attachment strings can entangle your fingers or snag on the workpiece.

**NOTE:** The DWP849X may use either type of polishing pad assembly described below.

### TO ATTACH POLISHING PAD WITH HOOK AND LOOP BACKING PAD (fig. 3B)

1. Attach hook and loop foam or wool pad (P) to hook and loop backing pad (Q), being careful to center the backing pad with the foam or wool pad.
2. Screw backing pad (Q) onto spindle (I), while depressing spindle lock button (E).

### TO REMOVE PADS

Turn them by hand in the opposite direction from normal rotation to allow lock button to engage spindle, then unscrew pads in normal direction for right-hand thread.

## Polishing

These instructions and suggestions are intended to familiarize new operators in overall general operation of power polishing. You will develop your own techniques which will make the job easier and faster as you learn power polishing.

- You should use utmost care when power polishing around or over sharp objects and contours of the car body. It is very important to use the correct pressure while polishing various sections of an automobile body. For example, light pressure should be applied when polishing over sharp edges of body panels, or over edges of the rain gutter along the top.
- Since everyone does not use the same type of power polish, we recommend you clean and polish a test section on a flat area of the car first. From this *test section*, you can judge the strength or cleaning action of your power polish.
- Remember, all power polish is not the same. Different brands will react differently on various painted surfaces. Also, you are now using a power polisher with power polish. This is entirely different from any hand application which you may have done before. Wash the car before power polishing it. Washing will remove loose dirt, scum, road salt, etc. which could act as an abrasive and damage paint. Loose dirt, etc. will also clog the polishing pad and you will have to clean it more often.
- Without turning the tool on, grasp the handles of the tool and pick it up. Keep the tool away from your body and depress the trigger switch. Make sure you have a firm grip on the handles and operate the tool freely without forced effort or unnecessary pressure. The side handle can be easily changed to either side of the tool for left-handed or right-handed operation.

**NOTE:** The high speed rubbing action of the polishing bonnet upon the surface of an automobile can build a static charge on the metal portions of this tool. This can result in a sensation of a very short mild electric shock when the metal area of the tool is touched, and will be more noticeable on days when the humidity is low. This is a harmless phenomenon but you are invited to bring the tool to a DEWALT service center where it can be checked to assure that no electrical malfunction is present.

## Maintenance

Your DEWALT power tool has been designed to operate over a long period of time with a minimum of maintenance. Continuous satisfactory operation depends upon proper tool care and regular cleaning.



**WARNING:** To reduce the risk of serious personal injury, turn tool off and disconnect tool from power source before making any adjustments or removing/installing attachments or accessories. Before reconnecting the tool, depress and release the trigger switch to ensure that the tool is off.



### Cleaning



**WARNING:** Blow dirt and dust out of all air vents with dry air at least once a week. Wear proper ANSI Z87.1 (CAN/CSA Z94.3) eye protection and proper NIOSH/OSHA/MSHA respiratory protection when performing this.



**WARNING:** Never use solvents or other harsh chemicals for cleaning the non-metallic parts of the tool. These chemicals may weaken the plastic materials used in these parts. Use a cloth dampened only with water and mild soap. Never let any liquid get inside the tool; never immerse any part of the tool into a liquid.



### Lubrication

DEWALT tools are properly lubricated at the factory and are ready for use. Tools should be relubricated regularly every sixty days to six months, depending on usage. (Tools used constantly on production or heavy-duty jobs and tools exposed to heat may require more frequent lubrication.) This lubrication should only be attempted by trained power tool repairpersons such as those at DEWALT service centers or other authorized service locations.

## Motor Brushes

Be sure tool is unplugged before inspecting brushes. Carbon brushes should be regularly inspected for

wear. To inspect brushes, unscrew the plastic brush inspection caps (located in the sides of the motor housing) and the spring and brush assemblies may be withdrawn from the tool. Keep brushes clean and sliding freely in their guides.



**CAUTION:** Only use the DEWALT qualified carbon brush designed for this tool, consult your local dealer or authorized service center for correct carbon brush. Use of carbon brush not designed for this tool or not qualified by DEWALT may damage the tool and may result serious injury!

## ACCESSORIES



**WARNING:** Since accessories, other than those offered by DEWALT, have not been tested with this product, use of such accessories with this tool could be hazardous. To reduce the risk of injury, only DEWALT recommended accessories should be used with this product.

Recommended accessories for use with your tool are available at extra cost from your local dealer or authorized service center. If you need assistance in locating any accessory, please contact local DEWALT sales.

Use only accessories having a maximum operating speed at least as high as the highest "RATED RPM" marked on the tool's nameplate. This precaution applies to any accessory on any tool.

- Rubber backing pads: 7" (18.0 cm) Quick Change Super Flexible Rubber Backing Pad (includes clamp washer)
- 7" (18.0 cm) hook and loop backing pads
- Soft rubber gear case cover
- Wool ingestion shields
- Auxiliary handle
- Bale handle

## Repairs

To assure product SAFETY and RELIABILITY, repairs, maintenance and adjustments (including brush inspection and replacement) should be performed by a DEWALT factory service center, a DEWALT authorized service center or other qualified service personnel. Always use identical replacement parts.



## Optional accessories



**WARNING:** *Since accessories, other than those offered by DEWALT, have not been tested with this product, use of such accessories with this tool could be hazardous. To reduce the risk of injury, only DEWALT recommended accessories should be used with this product.*

Consult your dealer for further information on the appropriate accessories.

## Accessory maintenance

Accessory maintenance at the right time guarantees optimal results in application and a long and efficient accessory life.

## Protecting the environment



Separate collection. This product must not be disposed of with normal household waste.



Should you find one day that your DEWALT product needs replacement, or if it is of no further use to you, do not dispose of it with household waste. Make this product available for separate collection.



Separate collection of used products and packaging allows materials to be recycled and used again. Re-use of recycled materials helps prevent environmental pollution and reduces the demand for raw materials.

Local regulations may provide for separate collection of electrical products from the household, at municipal waste sites or by the retailer when you purchase a new product.

# 抛光机

## DWP849XD

### 祝贺您！

您已选择了的得伟工具。凭借多年的经验和在产品开发与创新方面的不断努力，得伟已经成为专业电动工具用户的最可靠伙伴之一

### 技术数据

		DWP849XD
电压	伏特(交流)	220
额定频率	赫兹	50
输入功率	瓦特	1250
空载转速	转 / 分	0-600/0-3500
碳刷		自停式
主轴螺纹		M14
侧手柄		D型手柄
重量	千克	3.0

### 定义：安全准则

下列定义解释了各标志术语的严重程度。请仔细阅读本手册并注意这些标志。



**危险：**表示紧急的危险情形，如不加以阻止，将导致死亡或严重伤害。



**警告：**表示潜在的危险情形，如不加以阻止，可能导致死亡或严重伤害。



**注意：**表示潜在的危险情形，如不加以阻止，可能导致轻度或中度伤害。

**注意：**如未能遵守警示标志，存在安全隐患，可能导致财产损失。



表示有触电危险。



表示火灾危险。



**警告：**为降低伤害风险，请阅读使用手册。



请务必佩戴安全眼镜。

### 双重绝缘



本工具采用双重绝缘。这意味着所有外部金属部件均与主电源绝缘。这是通过电气部件和机械部件之间放置的绝缘体来实现的。如此一来，本工具就无需接地。

**说明：**使用本工具时，双重绝缘并不能取代正常的安全防护措施。该绝缘是为了加强防护，并避免工具内绝缘失效可能导致的伤害。

### 电动工具一般安全规则



**警告！**阅读说明没有按照以下列举的说明而使用或操作将导致触电、着火和/或严重伤害。

### 请保存所有警告和守则 以备将来查阅

在所有以下列举的警告中术语“电动”工具指用电驱动（有线）电动工具或电池驱动（无线）电动工具。

### 1) 工作场地

- a) **保持工作场地清洁和明亮。**混乱和黑暗的场地会引发事故。
- b) **不要在易爆环境，如有易燃液体、气体或粉尘的环境下操作电动工具。**电动工具产生的火花会点燃粉尘或气体。
- c) **让儿童或旁观者离开后操纵电动工具。**分心会使你放松控制。

### 2) 电气安全

- a) **电动工具插头必须与插座相配。不能以任何方式改装插头。**需接地的电动工具不能使用任何转换插头。未经改装的插头和相配的插座将减少触电危险。
- b) **避免人体接触接地表面，如管道、散热片和冰箱。**如果你身体接地会增加触电危险。
- c) **不得将电动工具暴露在雨中或潮湿环境中。**水进入电动工具将增加触电危险。
- d) **不得滥用电线。绝不能用电线搬运、拉动电动工具或拔出其插头。请立即更换有损坏的电源线。**让电动工具远离热、油、锐边或运动部件。受损或缠绕的电线会增加触电危险。
- e) **当在户外使用电动工具时，使用适合户外使用的外接电线。**适合户外使用的电线将减少触电危险。
- f) **如果必须在潮湿场合使用电动工具，请使用漏电保护器(RCD)。**使用RCD可降低触电危险。

### 3) 人身安全

- a) **保持警觉，当操作电动工具时关注所从事的操作并保持清醒。**切勿在有疲倦、药物、酒精或治疗反应下操作电动工具。在操作电动工具期间精力分散会导致严重人身伤害。
- b) **使用安全装置。**始终佩戴护目镜。安全装置，诸如适当条件下的防尘面具、防滑安全鞋、安全帽、听力防护等装置能减少人身伤害。
- c) **避免突然启动。**确保开关在插入插头时处于关断位置。手指放在已接通电源开关上或开关处于接通时插入插头可能会导致危险。
- d) **在电动工具接通之前，拿掉所有调节钥匙或扳手。**遗留在电动工具旋转零件上的扳手或钥匙会导致人身伤害。
- e) **手不要伸得太长。**时刻注意脚下和身体平衡。这样在意外情况下能很好地控制电动工具。

- f) **着装适当。**不要穿宽松衣服或佩带饰品。让你的头发、衣服和袖子远离运动部件。宽松衣服、佩饰或长发可能会卷入运动部件。
- g) **如果提供了排屑装置、集尘设备连接用的装置，则确保他们连接完好且使用得当。**使用这些装置可减少碎屑引起的危险。

### 4) 电动工具使用和注意事项

- a) **不要滥用电动工具，根据用途使用适当的电动工具。**选用适当的设计额定值的电动工具会使你工作有效、更安全。
- b) **如果开关不能接通或关断工具电源，则不能使用该电动工具。**不能用开关来控制的电动工具是危险的且必须进行修理。
- c) **在进行任何调节、更换附件或贮存电动工具之前，必须从电源上拔掉插头和/或将电池盒脱开电源。**这种防护性措施将减少电动工具突然起动的危险。
- d) **将闲置电动工具贮存在儿童所及范围之外，并且不要让不熟悉电动工具或对这些说明不了解的人操作电动工具。**电动工具在未经训练的用户手中是危险的。
- e) **保养电动工具。**检查运动部件的安装偏差或卡住、零件破损情况和影响电动工具运行的其它条件。如有损坏，电动工具必须在使用前修理好。许多事故由维护不良的电动工具引发。
- f) **保持切削工具锋利和清洁。**保养良好的有锋利切削刃的刀具不易卡住而且容易控制。
- g) **按照使用说明书以及打算使用的电动工具的特殊类型要求的方式，考虑作业条件和进行的作业来使用电动工具、附件和工具的刀头等。**电动工具用作那些与要求不符的操作可能会导致危险情况。

### 5) 维修

- a) **将你的电动工具送交专业维修人员，必须使用同样的备件进行更换。**这样确保所维修的电动工具的安全性。
- b) **维修时务必使用指定的配件，并遵守本手册中关于维护部分的说明。**使用未批准的或失效的部件，即使遵循了维护说明也可能造成触电的危险或者伤害。

## 所有操作的使用说明书

抛光操作的 通用安全警告：

- a) **该电动工具是用于实现抛光机功能的。** 阅读随该电动工具提供的所有安全警告、说明、图解和规定。不了解一下所列所有说明将导致电击、着火和/或严重伤害。
- b) **不推荐用该电动工具进行诸如砂磨、砂光、刷光或切断等操作。** 电动工具不按指定的功能去操作，可能会发生危险和引起人身伤害。
- c) **不使用的非工具制造商推荐和专门设计的附件。** 否则该附件可能被装到你的电动工具上，而它不能保证安全操作。
- d) **附件的额定速度必须至少等于电动工具上标出的最大速度。** 附件以比其额定速度大的速度运转会发生爆裂和飞溅。
- e) **附件的外径和厚度必须在电动工具额定能力范围之内。** 不正确的附件尺寸不能得到充分防护或控制。
- f) **砂轮、法兰盘、靠背垫或任何其他附件的轴孔尺寸必须适合于安装到电动工具的主轴上。** 带轴孔的，与电动工具安装件不配的附件将失稳，过度振动并会引起失控。
- g) **不要使用损坏的附件。在每次使用前要检查附件，例如砂轮是否有碎片和裂缝，靠背垫是否有裂缝、撕裂或过度磨损，钢丝刷是否松动或金属丝是否断裂。如果电动工具或附件跌落了，检查是否有损坏或安装没有损坏的附件。检查和安装附件后，让自己和旁观者的位置远离旋转附件的平面，并以电动工具最大空载速度运行1min，损坏的附件通常在该实验时会碎裂。**
- h) **戴上防护用品。根据适用情况，使用面罩、安全护目镜或安全眼镜。适用时，戴上防尘面罩、听力保护器、手套和能挡小磨料或工件碎片的工作围裙。** 眼防护罩必须挡住各种操作产生的飞屑。防尘面具或口罩必须能过滤操作产生的颗粒。长期暴露在高强度噪声中会引起失聪。
- i) **让旁观者与工作区域保持一安全距离。任何进入工作区域的人必须戴上防护用品。** 工件或破损附件的碎片可能会飞出并引起紧靠着

操作区域的旁观者的伤害。切割附件触及带电导线会使电动工具外露的金属零件带电，并使操作者触电。

- j) **使软线远离旋转的附件。** 如果控制不当，软线可能被切断或缠绕，并使得你的手或手臂可能被卷入旋转附件中。
- k) **直到附件完全停止运动才放下电动工具。** 旋转的附件可能会抓住表面并拉动电动工具而让你失去对工具的控制。
- l) **当携带电动工具时不要开动它。** 意外地触及旋转附件可能会缠绕你的衣服而使附件伤害身体。
- m) **经常清理电动工具的通风口。** 电动风扇会将灰尘吸进机壳，过多的金属粉末沉积会导致电气危险。
- n) **不要在易燃材料附件操作电动工具。** 火星可能会点燃这些材料。
- o) **不要使用需用冷却液的附件。** 用水或其他冷却液可能会导致电腐蚀或电击。

## 对所有操作的进一步安全说明

### 反弹和相关警告

反弹是因卡住或缠绕住的旋转砂轮、靠背垫、钢丝刷或其他附件而产生的突然反作用力。卡住或缠绕会引起旋转附件的迅速堵转，随之使失控的电动工具在卡住点产生与附件旋转方向相反的运动。例如，如果砂轮被工作缠绕或卡住，伸入卡住点的砂轮边缘可能会进入材料表面而引起砂轮爬出或反弹。砂轮可能飞向或飞离操作者，这取决于砂轮在卡住点的运动方向。在此条件下的砂轮也可能碎裂。反弹是电动工具误用和/或不正确操作工序或条件的结果，可以通过采取以下给出的适当预防措施得以避免。

- a) **保持紧握电动工具，使你的身体和手臂处于正确状态以抵抗反弹力，如有辅助手柄，则要一直使用，以便最大限度控制住起动时的反弹力或反力矩。** 如采取合适的预防措施，操作者就可以控制反力矩或反弹力。
- b) **绝不能将手靠近旋转附件。** 附件可能会反弹碰到手。

- c) **不要站在发生反弹时电动工具可能移动到的地方。**反弹将在缠绕点驱使工具逆砂轮运动方向运动。
- d) **当在尖角、锐边等处作业时要特别小心。避免附件的弹跳和缠绕。**尖角、锐边和弹跳具有缠绕旋转附件的趋势并引起反弹的失控。
- e) **不要附装上锯链、木雕刀片或带齿锯片。**这些锯片会产生频繁的反弹和失控。



**警告：**使用本工具可能会产生和/或散发灰尘，从而造成永久性呼吸系统伤害或其它伤害。切记使用经NIOSH/OSHA认可的、适合防尘的呼吸保护装置，并且使尘粒远离脸和身体的方向。

- 本工具上的铭牌可能会包含如下符号。这些标志及其含义如下所示：

V..... 伏特	A..... 安培
Hz..... 赫兹	W..... 瓦特
min ..... 分钟	~ ..... 交流电
--- ... 直流电	n ..... 额定转速
□ ..... 等级 II 结构	▲ ..... 安全警示标志
⊕ ..... 接地端子	...r/min ... 每分钟的旋转数

## 抛光操作的附加安全说明

### 抛光操作的专用安全警告：

- a) **不允许抛光帽或附带绳索有任何松动部分而随意旋转，收拢或调整松动的附带绳索。**松动而旋转的附带绳索会将手指缠住或在工件上卡住。
- b) **上润滑油脂及更换附件时请遵循本说明书指示。**
- c) **手柄务必保持干燥，清洁，无油（脂）。**

## 抛光机特殊安全规定

- 务必佩戴护目装备。所有操作人员及在场人员必须佩戴符合ANSI Z87.1标准的护目器。
- 经常清洁工具，特别是繁重地使用后，更应该清洁。含有金属碎屑的灰尘与颗粒常常聚集在工具内表面，会带来触电风险。
- 切勿长时间使用本工具。使用本工具时产生的振动会永久性损伤手指、手掌及手臂。使用手套来加强减振，提高休息频率并限制每天的使用时间。
- 通气口内往往有转动部件，应避免接触。松散的衣服、首饰或长发会卷入转动部件。



**警告：**切记使用安全眼镜。日常使用的眼镜并非安全眼镜。同时，如果切割工作灰尘较多，应使用面罩或防尘罩。切记佩戴经过认证的安全装备。



**警告：**在使用工具时，请佩戴恰当的、符合ANSI S12.6 (S3.19)要求的个人听力保护装置。在某些情况下以及长期使用本产品时，本产品所产生的噪音可能会影响听力。

## 请妥善保存本说明书

### 马达

得伟工具采用得伟自制马达。请确保电源与铭牌标识一致。如果电压降低超过10%，会导致功率降低与过热。得伟工具均经过出厂检验；如果工具不能启动，请检查电源。

### 部件（图1）



**警告：**切勿修改本工具或其任何部件。否则，可能造成人身伤害或工具损坏。

- A. 速度控制轮
- B. 魔术搭扣抛光轮
- C. 调速触发开关
- D. 碳刷检查帽
- E. 主轴锁定按钮
- G. 触发开关锁定按钮
- H. 提把把手
- I. 主轴
- J. 齿轮箱软橡胶防护盖
- K. 羊毛防护罩

## 设计用途

DWP849XD 重型抛光机设计用于各种专业工作场所（例如施工现场）。禁止用于潮湿场所，或存在易燃气体/液体的场所。

DWP849XD 重型抛光机为专业电动工具，禁止儿童接触。经验不足的人使用时，应在监督下进行。

## 调速开关（图1）

本工具安装有调速触发开关，这个开关可以控制速度的变化：控制范围为0到3500 转/分钟。要启动这个工具，按压图1所示的触发开关（C）直至工具开始转动。触发开关按下越深，工具转动就越快。松开触发开关，工具即停止转动。

在打液体蜡或抛光时，用较低速度；除去已干结的液体时，则用较高速度。将车子抛光至极其光亮，就要用最高速度（即完全按下触发开关）。如图 1 所示，将触发开关完全按下，同时按下锁定按钮（G），就可以将这个工具锁定，持续使用。轻轻释放触发开关，但保持按下锁定按钮，工具就会持续运转。如要使工具从锁定位置关断，只需按下和释放触发开关一次即可。不要在开关处于锁定状态时，拔下工具插头。切勿在工具处于锁定状态时，插入插座，接通电源。工具处于锁定状态时接通电源，仅当按下锁定按钮（G）后，工具才会启动（无电压释放）。

**注：**仅当工具以速度控制轮（A）设定的最大转速运转时，方可锁定触发开关。

## 速度控制轮（图1）

转动速度控制轮（A），就可以改变工具的最大速度。这个轮子装有制动器，防止轮子意外转动，以便于选择速度。为了更加便利，触发开关可以锁定在全开位置，而仅用速度控制轮（A）改变速度。该电子速度控制器不仅可以选择适于工作需要的速度，而且在下压电动工具，给工具加载时，保持速度不变。正是这个特性，连同其变速开关，使这个工具有其特殊优点。

速度控制轮的速度可以任意设定在600转/分钟至3500转/分钟之间；而变速开关将工具速度控制在零至控制轮所设定的速度之间。例如：控制轮设定在2200转/分钟，变速开关就可以使工具在零至2200转/分钟之间运转，视触发开关按下的深浅而异。如控制轮设定在600转/分钟，变速开关就可以使工具在零至600转/分钟之间运转。

不论在任何时候，只要将触发开关完全按下，电子速度控制器的这个特性就会发挥作用；工具也就会以通过控制轮所选择的速度运转。当用力将工具压在工作面上，给工具加载时（将触发开关完全按下），工具内部的电子电路就会对这一加载进行补偿，从而保持所选定的速度。当控制轮所选定的速度是2200转/分钟（如上例中所示），当加载时，工具仍会保持2200转/分钟。

记住电子速度控制器的以下两点，是很重要的：

1. 只有在触发开关（C）完全按下时，电子速度控制器才能起作用。
2. 电子速度控制器的效果，设定速度较低时（不高于2600转/分钟）比设定速度较高时要明显。当工具速度接近3000转/分钟时，其效果会急剧降低。

要记住：对于在典型的2400转/分钟空载速度下运行的普通抛光机，抛光负荷下速度会降至大约2000转/分钟。而DWP849XD型抛光机在加载时，仍能够继续以2400转/分钟运转（或根据控制轮设置所选定的任何速度运转）。由于速度并不减慢，可能比您所习惯的速度要快。所以，使用时要特别注意，直到得心应手。如果您感到速度太快，当然可以使用触发开关或控制轮使工具速度降低。

## 主轴锁定按钮（图1）



**警告：**为了降低严重人身伤害的风险，在对工具进行任何调整或拆卸/安装任何附件或配件之前，请关闭工具并且断开电源。重新插上工具电源之前，请按下并松开触发开关，以确保工具已经关闭。



为了防止主轴在安装或拆卸附件时转动，本工具的齿轮变速箱头部设计有主轴锁定按钮（E）。要锁住主轴，按下锁定按钮不放即可。禁止在工具运转或惯性运行时按下主轴锁定按钮。

### 羊毛防护罩（图1、2）

在工具正常使用过程中，羊毛防护罩（K）可拦截马达吸入的羊毛、灰尘和碎屑。与无防护罩的工具相比，本工具的耐用性会因此提高。

每个防护罩均可方便地拆卸、清洁：取下螺钉（L），把防护罩向后滑动，即朝向工具触发开关末端的方向，然后从工具上拿掉。羊毛防护罩可用香皂和水清洗，如被抛光料或碎屑堵塞，还可用软毛刷清理。一旦发现防护罩外部有积灰，应立即清理。本工具可能会随供一套防护罩。您在当地零售商或授权维修中心处，可以另行购买羊毛防护罩。

### 齿轮箱软橡胶防护盖（图1）

齿轮箱软橡胶防护盖（J）的功能是防止金属齿轮箱划伤已抛光或油漆表面。

必要时，可以取下齿轮箱软橡胶防护盖。要取下防护盖，请取下三个固定螺钉，然后从齿轮箱上取下。本工具可能原装有齿轮箱软橡胶防护盖。您在当地零售商或授权维修中心处，可以另行购买齿轮箱软橡胶防护盖。

## 操作



**警告：**为了降低严重人身伤害的风险，在对工具进行任何调整或拆卸/安装任何附件或配件之前，请关闭工具并且断开电源。重新插上工具电源之前，请按下并松开触发开关，以确保工具已经关闭。

## 安装和拆卸抛光轮（图3）



**警告：**为了降低严重人身伤害的风险，应避免抛光帽的松散部分或其连接线绳随意旋转。收起或整理松散的连接线绳。松散的连接线会缠绕您的手指或在工件上造成阻滞。

**说明：**DWP849XD型抛光机均可使用下述类型的抛光轮配件。

### 给抛光轮安装橡胶抛光垫（图3A）

1. 安装抛光垫（N）时，把夹紧垫圈的衬套（M）穿过抛光衬垫中央的孔，尽量往里推。

2. 然后插入抛光轮（O）上的六角孔；将这三个部件牢牢握在一起，放置在主轴（I）上。
3. 一面按住主轴锁定按钮（E），一面顺时针方向转动这三个部件，使之顺螺纹完全装在主轴上。

### 给抛光轮安装魔术搭扣衬垫（图3B）

1. 把魔术搭扣海绵垫或羊毛抛光垫（P）安装到魔术搭扣抛光轮（Q）上，注意使抛光轮的中心与海绵垫或羊毛抛光垫的中心对齐。
2. 按下主轴锁定按钮（E）的同时，把衬垫（Q）拧到主轴（I）上。

### 拆卸抛光垫

用手沿抛光轮正常转动的相反方向转动抛光垫，使锁定按钮与主轴啮合。然后，按正常的右旋螺纹方向拧下它们。

## 抛光

以下说明和提示，都是为了使新手对动力抛光的一般操作有全面了解。随着对动力抛光有更多了解，您就可以掌握更多的技巧，使工作更加容易。

- 在对尖锐物件和车身轮廓进行动力抛光时，应极其小心。对车身不同部分进行抛光时，要采用不同的压力，这一点非常重要。例如，在抛光车身板件尖锐边缘或沿车顶的流水槽边缘进行抛光时，压力要轻。
- 由于每个人所用的动力抛光机型号不一定一样，建议先在汽车一个平面部位上进行清洁抛光实验。通过实验，可以判断动力抛光清洁操作所需的力度。
- 切记：并非所有动力抛光机都是一样的。不同品牌抛光机在不同漆面上的反应是不同的。还有，您现在所用的是使用动力的抛光机，与您以前可能使用过的任何一种手动抛光机都完全不同。要先清洗汽车，然后进行动力抛光。清洗可以除去浮尘、浮垢、路盐等，这些污垢有摩擦作用，会损坏漆面。浮尘等还会粘在抛光垫上，从而不得不更频繁清洗衬垫。
- 抛光操作如下：先不启动工具，仅握住手柄并拿起工具。然后接通开关，不要靠近工具。确保紧握手柄，无需特别用力或施加不必要的压力，让工具自由运转。侧手柄可以很容易地换至另一边，便于惯用左手或右手的人操作。

**说明：**抛光罩在汽车表面高速摩擦，可能在本工具的金属部分产生静电。如果触及这个金属部位，可能有非常短暂的轻微触电感觉；在湿度较低的天气，这种感觉会更明显一些。这种现象是没有危害的。但为了保证不是电气故障，建议将工具拿到得伟维修中心检查。

## 维护

本得伟电动工具设计精良，可以长期使用，仅需极少维护。要连续获得令人满意的工作效果，需要您做合适的保养和定期的清洁。



**警告：**为了降低严重人身伤害的风险，在对工具进行任何调整或拆卸/安装任何附件或配件之前，请关闭工具并且断开电源。重新插上工具电源之前，请按下并松开触发开关，以确保工具已经关闭。

## 清洁



**警告：**用干燥的压缩空气吹走所有气口上的粉尘和灰尘，至少每周一次。进行这一步骤时，请佩戴适当的符合ANSI Z87.1 (CAN/ CSA Z94.3) 标准的护目装备，以及合适的符合NIOSH/ OSHA/ MSHA要求的呼吸保护器。



**警告：**切勿使用溶剂或其它刺激性化学品来清洁工具的非金属部件。这些化学品可能削弱零件中使用的塑料材料。只能使用抹布蘸中性肥皂水进行清洁。勿使任何液体进入工具；勿使工具的任何部分浸入液体中。

## 润滑

得伟工具在出厂时已经适当润滑，可供随时使用。每隔60天至6个月，应重新润滑工具，时间长短视使用情况而定。（经常用于生产、干重活、或高温环境时，可能需要更频繁地润滑）。加润滑油的工作，必须由受过训练的修理人员进行。例如在得伟维修中心或其它授权维修地点受过训练的人员。

## 马达碳刷

检查碳刷前，务必要拔下插头。要定期检查碳刷磨

损情况。检查碳刷方法：拧下碳刷塑料检查帽（位于机壳两侧），碳刷组件就可以从工具上取下。要保持刷子清洁，使之能在导轨内自由滑动。



**注意：**仅可使用本工具指定的、得伟认证的碳刷。关于碳刷的正确型号，请咨询当地零售商或授权服务中心。如果使用非本工具指定的碳刷、或使用非得伟认证的碳刷，会损坏工具并可能导致严重的人身伤害！

## 配件



**警告：**由于非得伟供应的配件没有经过本机的使用测试，因此使用这些配件可能存在危害。为了减少人身伤害风险，请在本工具上仅使用得伟推荐的配件。

推荐使用的配件在当地经销商或授权维修中心有售，费用单独收取。如果你在安装附件时需要协助，请和本地的得伟销售部门联系。

配件的最大运行速度应至少达到工具铭牌上的最高“额定转速”。本警告适用于任何工具上的任何配件。

- 橡胶衬垫：7" (18.0厘米) 快速更换超弹橡胶背垫（包括夹紧垫圈）
- 7" (18.0厘米) 魔术搭扣背垫
- 齿轮箱软橡胶防护盖
- 羊毛防护罩
- 辅助手柄

## 维修

为了确保本产品的安全性和可靠性，其维修、维护和调节（包括碳刷检查与更换）应由得伟厂家、得伟授权服务中心或其它具有资质的服务人员进行。切记使用相同的更换部件。

## 可选配件



**警告：**由于非得伟供应的配件没有经过本机的使用测试，因此使用这些配件可能存在危害。为了减少人身伤害风险，请在本工具上仅使用得伟推荐的配件。

有关合适配件的详细资料，请咨询当地零售商。



## 配件维护

适时进行配件维护，能够确保最佳使用效果，使配件既高效又耐用。

## 保护环境



分类回收。此类产品不得和普通家庭垃圾一起处理。

当您的得伟产品需要更换或不再使用时，请不要把它和家庭垃圾一起处理。把该产品单独分类回收。



旧产品和旧包装的分类回收使材料能够得以再循环和再利用。再循环材料的重新利用有助于防止环境污染和减少原料需求。

在市政垃圾场或您购买新产品的零售商处，地方法规可能要求电器产品与生活垃圾分开回收。

制造商：百得(苏州)科技有限公司

地址：苏州工业园区苏虹中路200号出口加工区

产地：江苏苏州





