
DEWALT®

www.DEWALT.com

DW752R

Figure 1

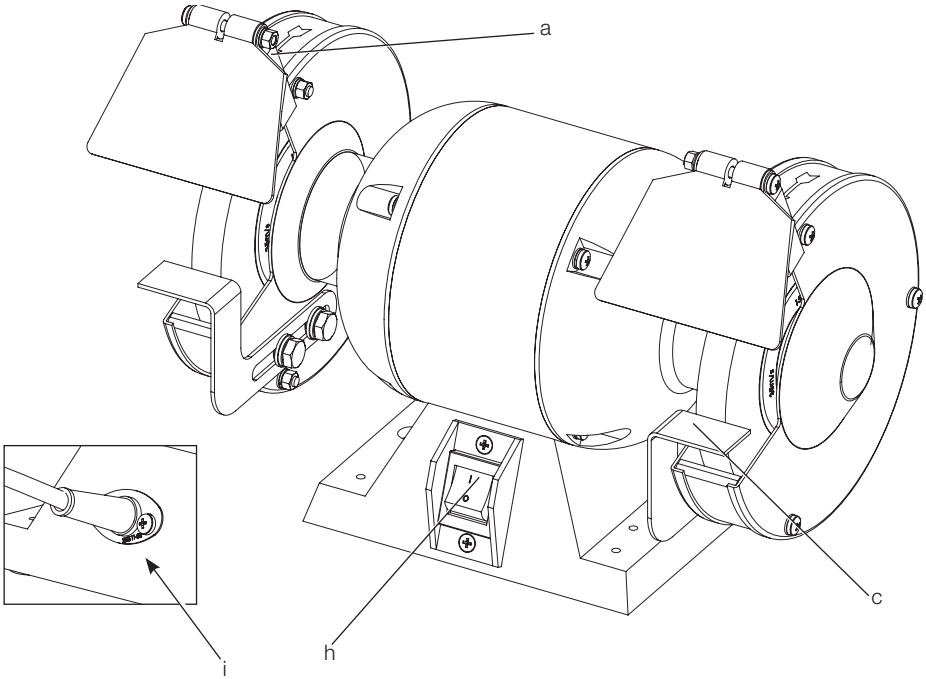


Figure 2

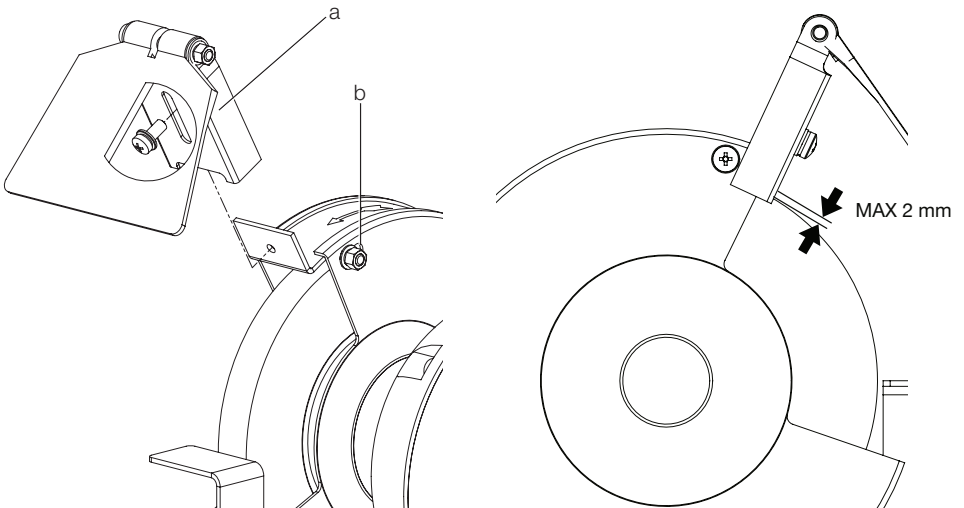


Figure 3

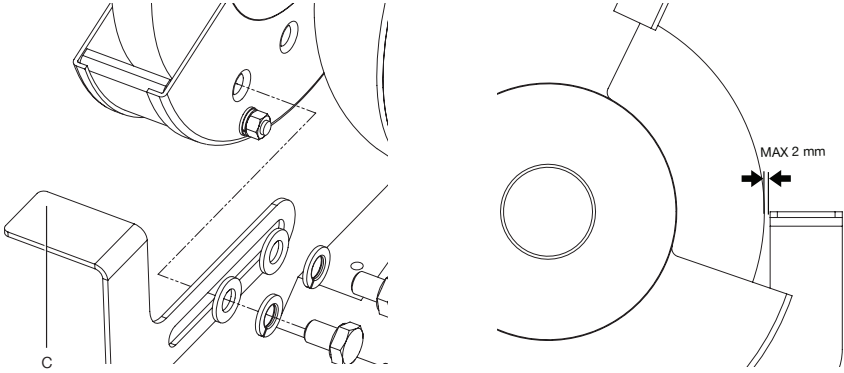
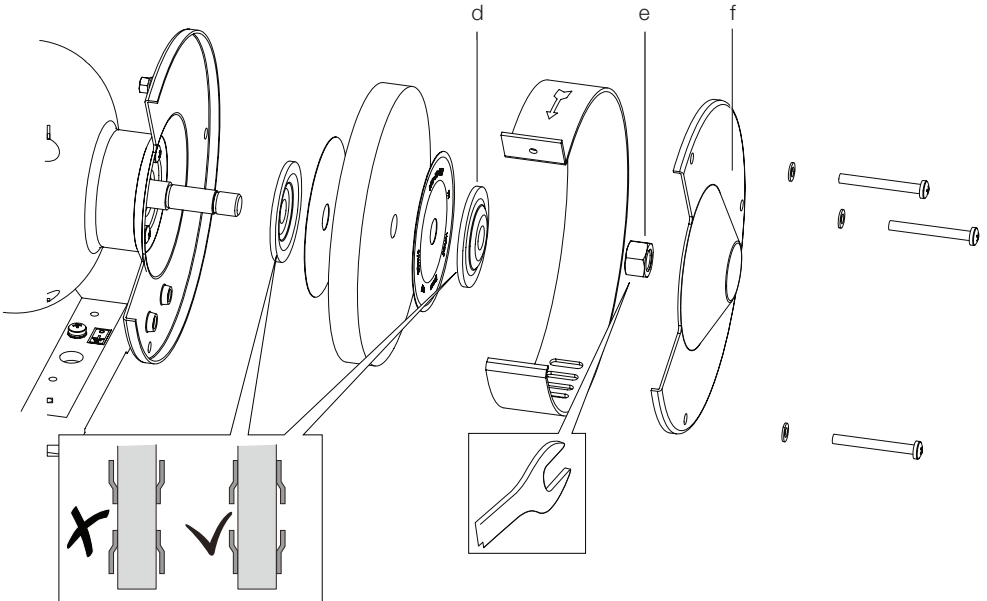


Figure 4



BENCH GRINDER

DW752R


Congratulations!


You have chosen a DEWALT tool. Years of experience, thorough product development and innovation make DEWALT one of the most reliable partners for professional power tool users.


Technical Data

| | | DW752R-TR |
|---------------------------------------|-------|-----------|
| Voltage | V | 230 |
| Power input | W | 373 |
| Frequency | Hz | 50 |
| No-load speed | /min | 2950 |
| Wheel diameter | mm | 150 |
| Wheel thickness | mm | 15-17 |
| Bore diameter | mm | 12.7-12.9 |
| Grinder wheel speed | m/s | 35 |
| Weight | kg | 11 |
| L_{PA} (sound pressure) | dB(A) | 58 |
| K_{PA} (sound pressure uncertainty) | dB(A) | 3 |
| L_{WA} (sound power) | dB(A) | 71.5 |
| K_{WA} (sound power uncertainty) | dB(A) | 3 |


Definitions: Safety Guidelines The definitions below describe the level of severity for each signal word. Please read the manual and pay attention to these symbols.

 **DANGER:** Indicates an imminently hazardous situation which, if not avoided, **will** result in **death or serious injury**.

 **WARNING:** Indicates a potentially hazardous situation which, if not avoided, **could** result in **death or serious injury**.

 **CAUTION:** Indicates a potentially hazardous situation which, if not avoided, **may** result in **minor or moderate injury**.

NOTICE: Indicates a practice **not related to personal injury** which, if not avoided, **may** result in **property damage**.

 Denotes risk of electric shock.



Denotes risk of fire.

EC-Declaration of Conformity

MACHINERY DIRECTIVE



DW752R

DEWALT declares that these products described under "technical data" are in compliance with: 2006/42/EC, EN 61029-1, EN 61029-2-4.

These products also comply with Directive 2004/108/EC, 2011/65/EU. For more information, please contact DEWALT at the following address or refer to the back of the manual.

The undersigned is responsible for compilation of the technical file and makes this declaration on behalf of DEWALT.

H. Grossmann

Horst Grossmann
Vice President Engineering and Product Development
DEWALT, Richard-Klinger-Straße 11,
D-65510, Idstein, Germany
06.06.2013



WARNING: To reduce the risk of injury, read the instruction manual.

General Power Tool Safety Warnings



WARNING! Read all safety warnings and all instructions. Failure to follow the warnings and instructions may result in electric shock, fire and/or serious injury.

SAVE ALL WARNINGS AND INSTRUCTIONS FOR FUTURE REFERENCE

The term "power tool" in the warnings refers to your mains-operated (corded) power tool or battery-operated (cordless) power tool.

1) WORK AREA SAFETY

- a) **Keep work area clean and well lit.** Cluttered or dark areas invite accidents.
- b) **Do not operate power tools in explosive atmospheres, such as in the presence of flammable liquids, gases or dust.** Power tools create sparks which may ignite the dust or fumes.
- c) **Keep children and bystanders away while operating a power tool.** Distractions can cause you to lose control.

2) ELECTRICAL SAFETY

- a) **Power tool plugs must match the outlet. Never modify the plug in any way. Do not use any adapter plugs with earthed (grounded) power tools.** Unmodified plugs and matching outlets will reduce risk of electric shock.
- b) **Avoid body contact with earthed or grounded surfaces such as pipes, radiators, ranges and refrigerators.** There is an increased risk of electric shock if your body is earthed or grounded.
- c) **Do not expose power tools to rain or wet conditions.** Water entering a power tool will increase the risk of electric shock.
- d) **Do not abuse the cord. Never use the cord for carrying, pulling or unplugging the power tool. Keep cord away from heat, oil, sharp edges or moving parts.** Damaged or entangled cords increase the risk of electric shock.
- e) **When operating a power tool outdoors, use an extension cord suitable for outdoor use.** Use of a cord suitable for outdoor use reduces the risk of electric shock.
- f) **If operating a power tool in a damp location is unavoidable, use a residual current device (RCD) protected supply.** Use of an RCD reduces the risk of electric shock.

3) PERSONAL SAFETY

- a) **Stay alert, watch what you are doing and use common sense when operating a power tool. Do not use a power tool while you are tired or under the influence of drugs, alcohol or medication.** A moment of inattention while operating power tools may result in serious personal injury.
- b) **Use personal protective equipment. Always wear eye protection.** Protective equipment such as dust mask, non-skid safety shoes, hard hat, or hearing protection used for appropriate conditions will reduce personal injuries.

- c) **Prevent unintentional starting. Ensure the switch is in the off position before connecting to power source and/or battery pack, picking up or carrying the tool.** Carrying power tools with your finger on the switch or energising power tools that have the switch on invites accidents.
- d) **Remove any adjusting key or wrench before turning the power tool on.** A wrench or a key left attached to a rotating part of the power tool may result in personal injury.
- e) **Do not overreach. Keep proper footing and balance at all times.** This enables better control of the power tool in unexpected situations.
- f) **Dress properly. Do not wear loose clothing or jewellery. Keep your hair, clothing and gloves away from moving parts.** Loose clothes, jewellery or long hair can be caught in moving parts.
- g) **If devices are provided for the connection of dust extraction and collection facilities, ensure these are connected and properly used.** Use of dust collection can reduce dust-related hazards.

4) POWER TOOL USE AND CARE

- a) **Do not force the power tool. Use the correct power tool for your application.** The correct power tool will do the job better and safer at the rate for which it was designed.
- b) **Do not use the power tool if the switch does not turn it on and off.** Any power tool that cannot be controlled with the switch is dangerous and must be repaired.
- c) **Disconnect the plug from the power source and/or the battery pack from the power tool before making any adjustments, changing accessories, or storing power tools.** Such preventive safety measures reduce the risk of starting the power tool accidentally.
- d) **Store idle power tools out of the reach of children and do not allow persons unfamiliar with the power tool or these instructions to operate the power tool.** Power tools are dangerous in the hands of untrained users.
- e) **Maintain power tools. Check for misalignment or binding of moving parts, breakage of parts and any other condition that may affect the power tool's operation. If damaged, have the power tool repaired before use.** Many accidents are caused by poorly maintained power tools.

- f) **Keep cutting tools sharp and clean.**
Properly maintained cutting tools with sharp cutting edges are less likely to bind and are easier to control.
- g) **Use the power tool, accessories and tool bits etc., in accordance with these instructions taking into account the working conditions and the work to be performed.** Use of the power tool for operations different from those intended could result in a hazardous situation.

5) SERVICE

- a) **Have your power tool serviced by a qualified repair person using only identical replacement parts.** This will ensure that the safety of the power tool is maintained.

Additional Safety Instructions for Bench Grinder

- **Value of the thickness limit of wear of the work rest is 1 mm.**
- **Always use proper guard with grinding wheel.** A guard protects operator from broken wheel fragments.
- **Accessories must be rated for at least the speed recommended on the tool warning label.** Wheels and other accessories running over the rated speed can fly apart and cause injury.
- **Do not use a grinding wheel that is cracked or flawed in any way.** Before using, inspect recommended accessory for cracks or flaws. If such a crack or flaw is evident, discard the accessory.
- **When starting the tool, let it run for one minute. Never start the tool with a person in line with the wheel.** This includes the operator.
- **Do not grind on the sides of grinding wheels unless they are specifically designed for that purpose.**
- **Do not overtighten wheel clamp nut.** This may crack the grinding wheel.
- **Clean the cavity around the grinding wheel periodically.**
- **Wear protective glasses.**
- **Do not use damaged or misshapen wheels or brushes.**
- **The adjustment of the spark arrestor shall be made frequently, so as to compensate the wear of the wheel, keeping the distance between the guard and the wheel as small as possible, but in any case not greater than 2mm;**

- **The adjustment of the work rest shall be done gradually so as to compensate the wear of the wheel, keeping the distance between the work rest and the wheel as small as possible, but in any case not greater than 2mm.**
- **Allow the tool to cool down after a continuous use of 20 minutes (S2 20min).**
- **Use face or dust mask if working operations create dust.**
- **Where possible use clamps or a vice to hold the work. It is safer than using your hand.**
- **Inspect tool cords periodically and if damaged have them repaired by an authorized service facility.**
- **Check for alignment of moving parts, binding of moving parts, breakage of parts, mounting and any other conditions that may affect its operation.**
- **This electric tool complies with the relevant safety rules. Repairs should only be carried out by qualified persons using original spare parts, otherwise this may result in considerable danger to the user.**

Residual Risks

In spite of the application of the relevant safety regulations and the implementation of safety devices, certain residual risks cannot be avoided. These are:

- Impairment of hearing
- Risk of personal injury due flying particles.
- Risk of burns due to accessories becoming hot during operation.
- Risk of personal injury due to prolonged use.
- Risk of dust from hazardous substances.

Markings on Tool

The following pictograms are shown on the tool:



Read instruction manual before use.



Wear eye protection.



Wear ear protection.

S2 20min The short-time duty is 20min.

DATE CODE POSITION (FIG. 1)

The Date Code (l), which also includes the year of manufacture, is printed into the housing.

Example:

2013 XX XX

Year of Manufacture

Package Contents

The package contains:

- 1 Bench grinder
- 2 Pairs of Tool rests
- 2 Pairs of Eye shields
- 2 Pairs of Mounting brackets
- 1 Instruction manual

Description (fig. 1)



WARNING: Never modify the power tool or any part of it. Damage or personal injury could result.

- a. Eye shield
- c. tool rest
- h. Switch

INTENDED USE

This bench grinder is ideal for use in sharpening chisels, axes and other wood-cutting tools. It is also useful for repairing tips on screwdrivers and drill bits or for removing excess metal burrs from pieces of cut metal. With the proper accessories, this tool can be used for cleaning metal surfaces using a wire brush or for buffing and polishing using a cloth wheel

Never use this bench grinder for cut-off operations

DO NOT use under wet conditions or in presence of flammable liquids or gases.

This grinder is professional power tool.

DO NOT let children come into contact with the tool. Supervision is required when inexperienced operators use this tool.

- This product is not intended for use by persons (including children) suffering from diminished physical, sensory or mental abilities; lack of experience, knowledge or skills unless they are supervised by a person responsible for their safety. Children should never be left alone with this product.

Electrical Safety

The electric motor has been designed for one voltage only. Always check that the power supply corresponds to the voltage on the rating plate.

Using an Extension Cable

An extension cord should not be used unless absolutely necessary. Use an approved extension cable suitable for the power input of your charger (see **Technical Data**). The minimum conductor size is 1 mm²; the maximum length is 30 m.

When using a cable reel, always unwind the cable completely.

ASSEMBLY AND ADJUSTMENTS



WARNING: To reduce the risk of injury, turn unit off and disconnect machine from power source before installing and removing accessories, before adjusting or changing set-ups or when making repairs. Be sure the trigger switch is in the OFF position. An accidental start-up can cause injury.

Bench mounting

1. The grinder should be unplugged.
2. Position grinder on workbench. Check for the availability of power for the grinder. Mark location of holes for drilling.
3. Drill appropriate sized holes.
4. Insert ¼" (6mm) Hex head bolts through washers and the holes. You may want to use washers on the underside of the bench as well.
5. Tighten the nuts. Do not overtighten. Allow the rubber feet to absorb the vibration when the grinder is running.

Installing eye shield and mounting of spark guard(fig. 2)

Turn off tool and disconnect from power supply. Adjust the eye shields so they are between the wheels and your eyes.

NOTE: Eye shields are not designed to replace safety glasses.

Mounting of spark guard

1. Loosen screw (b) (do not remove it).
2. Regularly check the distance between spark guard (a) and the grinding wheel (max. 2 mm) and re-adjust, if necessary.

3. Replace the grinding wheel, if it is worn down to the point where spark guard (a) can no longer be adjusted to the maximum distance of 2 mm.

Installing tool rest(fig.3)

Turn off power and disconnect from power supply. Use the bolts, washers, spacers and lock nuts from the plastic bag to secure the brackets and tool rests in place.



WARNING: Use the washers and screws supplied. Longer screws may interfere with the movement of the grinding wheel.

1. Regularly check the distance between tool rest (c) and the grinding wheel (max. 2 mm) and re-adjust, if necessary.
2. Mounting tool on working surface.

OPERATION

Instructions for Use



WARNING: To reduce the risk of serious personal injury, turn tool off and disconnect battery pack before making any adjustments or removing/installing attachments or accessories.



WARNING: Never use a bench grinder if it is not firmly fastened to a work bench or rigid frame. Before turning the grinder on, put on safety glasses.

Turn on the grinder and allow it to reach full speed (2950/min) . Hold the workpiece firmly and against the tool rest. Hold very small pieces with pliers or other suitable clamps. Feed the work smoothly and evenly into the grinding wheel. Move the work slowly and avoid jamming the work against the wheel. As the wheel tends to slow down you should occasionally release the pressure to let the wheel return to full speed. Grind only on the face of the grinding wheel and never on the side. (Some wheels are designed for side grinding and will say so on their instruction sheets).

Switch

The switch is located on the front of the grinder, on the base. To turn the tool on depress the side of the rocker switch on the top side, marked "1". To turn off the grinder, depress the base side of the rocker switch, marked "0".

Changing accessories (fig. 4)

Turn off the tool and disconnect from power supply. Use only wheels that measure in diameter. This tool has 150mm 12.7mm arbors on both sides. Follow the steps below to remove and replace an accessory.

1. Disconnect the plug.
2. Use only grinding wheels with an allowable speed matching at least the highest no-load speed of the tool.
3. Use only original black&decker grinding wheels remove protective cover (f) by loosening (not removing) the 3 screws (b). Unscrew clamping nut (e) with a spanne. Remove clamping flange (d) and grinding wheel for mounting new grinding wheel handle in reversed order.
4. Perform a sound-test on new grinding wheels and test-run them without load for at least 5 minutes (stay out of danger area)

MAINTENANCE

Your DEWALT power tool has been designed to operate over a long period of time with a minimum of maintenance. Continuous satisfactory operation depends upon proper tool care and regular cleaning.



WARNING: To reduce the risk of injury, turn unit off and disconnect machine from power source before installing and removing accessories, before adjusting or changing set-ups or when making repairs. Be sure the trigger switch is in the OFF position. An accidental start-up can cause injury



Lubrication

Your power tool requires no additional lubrication.



Cleaning



WARNING: Blow dirt and dust out of the main housing with dry air as often as dirt is seen collecting in and around the air vents. Wear approved eye protection and approved dust mask when performing this procedure.



WARNING: Never use solvents or other harsh chemicals for cleaning the

non-metallic parts of the tool. These chemicals may weaken the materials used in these parts. Use a cloth dampened only with water and mild soap. Never let any liquid get inside the tool; never immerse any part of the tool into a liquid.

Optional Accessories



WARNING: Since accessories, other than those offered by DEWALT, have not been tested with this product, use of such accessories with this tool could be hazardous. To reduce the risk of injury, only DEWALT, recommended accessories should be used with this product.

Consult your dealer for further information on the appropriate accessories.

Protecting the Environment



Separate collection. This product must not be disposed of with normal household waste.



Should you find one day that your DEWALT product needs replacement, or if it is of no further use to you, do not dispose of it with household waste. Make this product available for separate collection.



Separate collection of used products and packaging allows materials to be recycled and used again. Re-use of recycled materials helps prevent environmental pollution and reduces the demand for raw materials.

Local regulations may provide for separate collection of electrical products from the household, at municipal waste sites or by the retailer when you purchase a new product.

DEWALT provides a facility for the collection and recycling of DEWALT products once they have reached the end of their working life. To take advantage of this service please return your product to any authorised repair agent who will collect them on our behalf.

You can check the location of your nearest authorised repair agent by contacting your local DEWALT office at the address indicated in this manual. Alternatively, a list of authorised DEWALT repair agents and full details of our after-sales service and contacts are available on the Internet at: **www.2helpU.com**.