
DEWALT®

XR LI-ION

www.DEWALT.com

DCS331
DCS332

English

6

简体中文

17

Figure 1

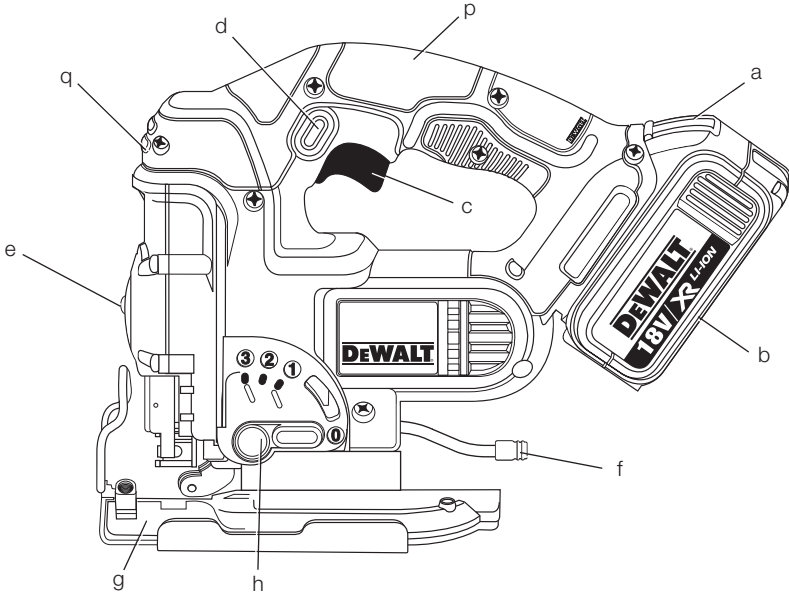


Figure 2

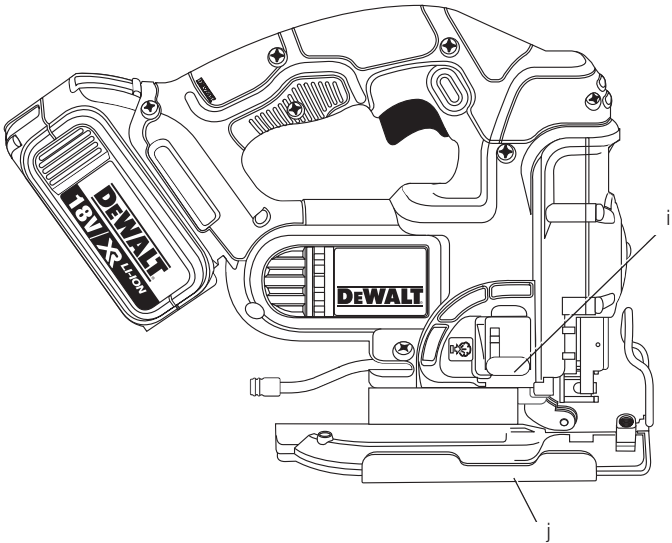


Figure 3

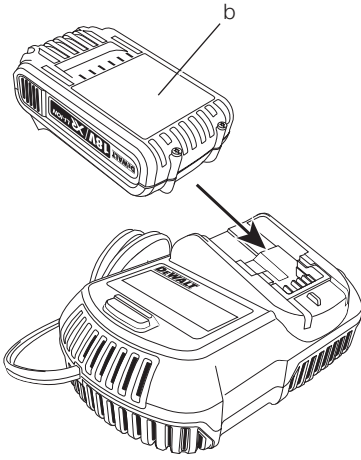


Figure 4

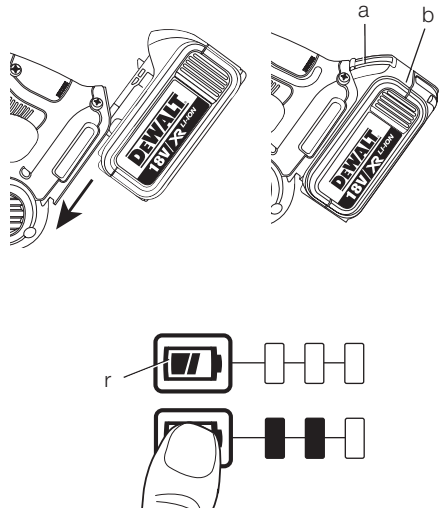


Figure 5

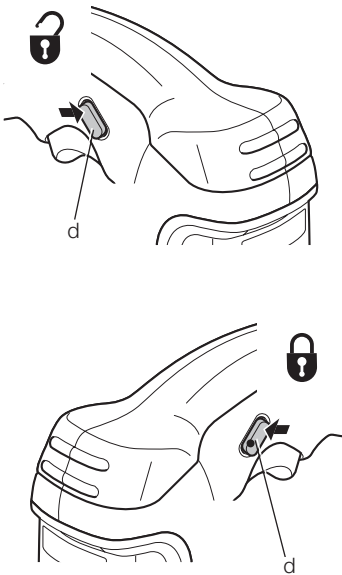


Figure 6

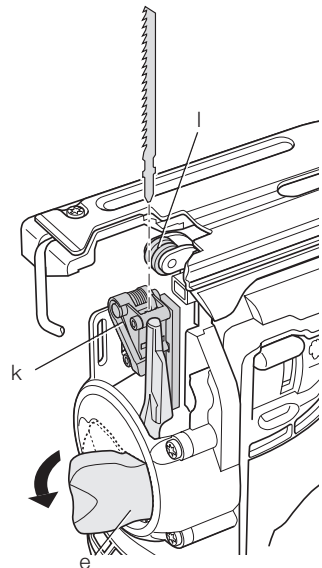


Figure 7

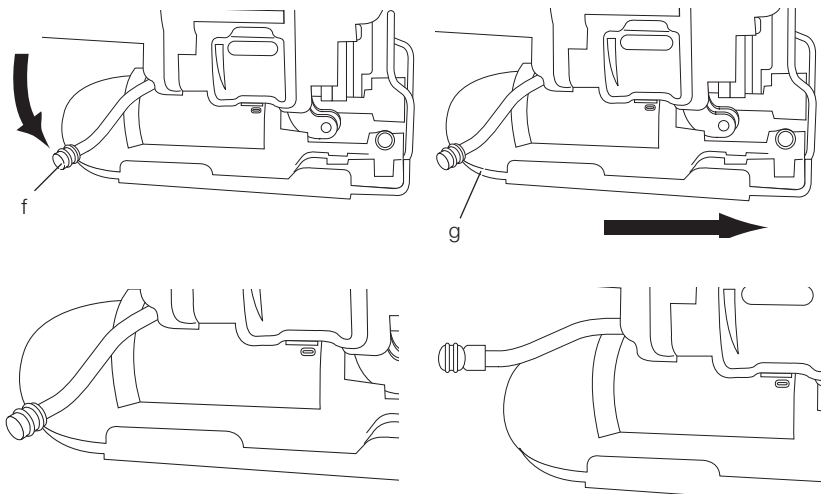


Figure 8

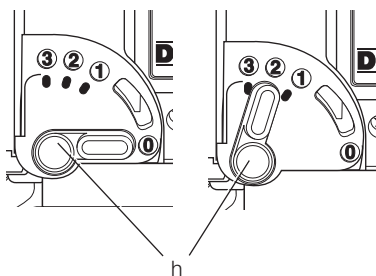


Figure 9

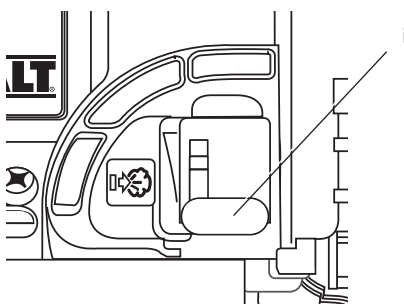


Figure 10
그림 10

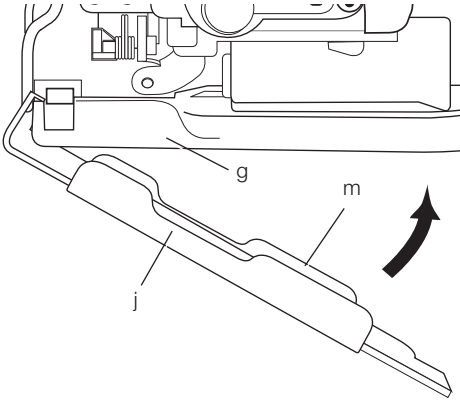


Figure 11
그림 11

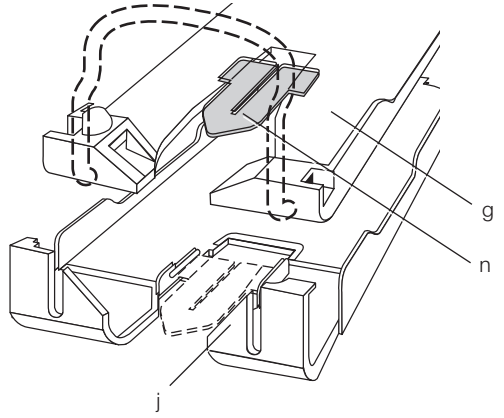


Figure 12
그림 12

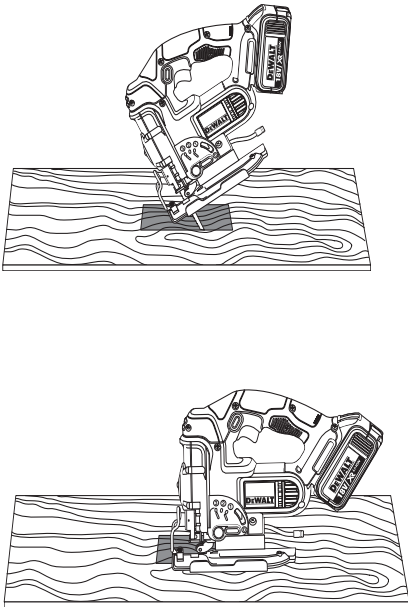


Figure 13
그림 13

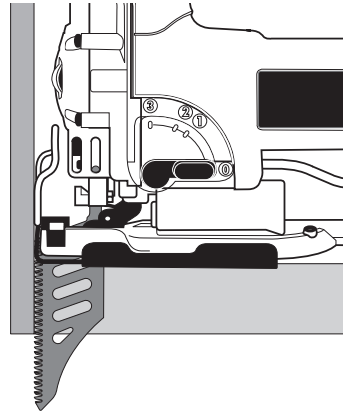
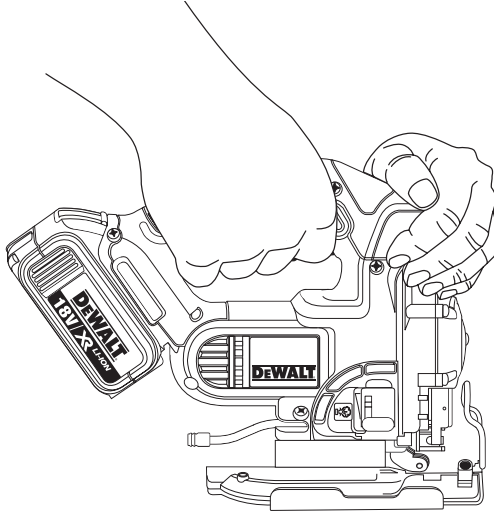


Figure 14
그림 14



CORDLESS JIGSAW

DCS331, DCS332

Congratulations!

You have chosen a DEWALT tool. Years of experience, thorough product development and innovation make DEWALT one of the most reliable partners for professional power tool users.

Technical Data

		DCS332	DCS331
Voltage	V_{DC}	14.4	18
Battery Type		Li-Ion	Li-Ion
No-load speed	min^{-1}	0–2500	0–3000
Stroke length	mm	26	26
Cutting depth in:			
– wood	mm	135	135
– aluminum	mm	25	25
– steel	mm	10	10
Bevel angle adjustment (l/r)	°	0–45	0–45
Weight (without battery pack)	kg	2.4	2.4

Battery pack	DCB140	DCB141	DCB142	
Battery type	Li-Ion	Li-Ion	Li-Ion	
Voltage	V_{DC}	14.4	14.4	14.4
Capacity	A_h	3.0	1.5	4.0
Weight	kg	0.53	0.30	0.54

Battery pack	DCB180	DCB181	DCB182	
Battery type	Li-Ion	Li-Ion	Li-Ion	
Voltage	V_{DC}	18	18	18
Capacity	A_h	3.0	1.5	4.0
Weight	kg	0.64	0.35	0.61

Battery pack	DCB183	DCB184	
Battery type	Li-Ion	Li-Ion	
Voltage	V_{DC}	18	18
Capacity	A_h	2.0	5.0
Weight	kg	0.4	0.62

Charger	DCB105		
Mains voltage	V_{AC}	220–240 V	
Battery type	Li-Ion		
Approx. charging time	min	30 (1.5 Ah battery packs)	55 (3.0 Ah battery packs)
		70 (4.0 Ah battery packs)	
Weight	kg	0.49	

Charger	DCB115		
Mains voltage	V_{AC}	220–240 V	
Battery type	Li-Ion		
Approx. charging time	min	25 (1.3 Ah battery packs)	30 (1.5 Ah battery packs)
		40 (2.0 Ah battery packs)	55 (3.0 Ah battery packs)
		70 (4.0 Ah battery packs)	90 (5.0 Ah battery packs)
Weight	kg	0.5	

Definitions: Safety Guidelines

The definitions below describe the level of severity for each signal word. Please read the manual and pay attention to these symbols.



DANGER: Indicates an imminently hazardous situation which, if not avoided, **will** result in **death or serious injury**.



WARNING: Indicates a potentially hazardous situation which, if not avoided, **could** result in **death or serious injury**.



CAUTION: Indicates a potentially hazardous situation which, if not avoided, **may** result in **minor or moderate injury**.

NOTICE: Indicates a practice **not related to personal injury** which, if not avoided, **may** result in **property damage**.



Denotes risk of electric shock.



Denotes risk of fire.



WARNING: To reduce the risk of injury, read the instruction manual.

General Power Tool Safety Warnings



WARNING! Read all safety warnings and instructions. Failure to follow the warnings and instructions may result in electric shock, fire and/or serious injury.

SAVE ALL WARNINGS AND INSTRUCTIONS FOR FUTURE REFERENCE

The term "power tool" in the warnings refers to your mains-operated (corded) power tool or battery-operated (cordless) power tool.

1) WORK AREA SAFETY

- Keep work area clean and well lit.**
Cluttered or dark areas invite accidents.
- Do not operate power tools in explosive atmospheres, such as in the presence of flammable liquids, gases or dust.** Power tools create sparks which may ignite the dust or fumes.
- Keep children and bystanders away while operating a power tool.** Distractions can cause you to lose control.

2) ELECTRICAL SAFETY

- Power tool plugs must match the outlet. Never modify the plug in any way. Do not use any adapter plugs with earthed (grounded) power tools.** Unmodified plugs and matching outlets will reduce risk of electric shock.
- Avoid body contact with earthed or grounded surfaces such as pipes, radiators, ranges and refrigerators.** There is an increased risk of electric shock if your body is earthed or grounded.
- Do not expose power tools to rain or wet conditions.** Water entering a power tool will increase the risk of electric shock.
- Do not abuse the cord. Never use the cord for carrying, pulling or unplugging the power tool. Keep cord away from heat, oil, sharp edges or moving parts.** Damaged or entangled cords increase the risk of electric shock.
- When operating a power tool outdoors, use an extension cord suitable for outdoor use.** Use of a cord suitable for outdoor use reduces the risk of electric shock.

- If operating a power tool in a damp location is unavoidable, use a residual current device (RCD) protected supply.** Use of an RCD reduces the risk of electric shock.

3) PERSONAL SAFETY

- Stay alert, watch what you are doing and use common sense when operating a power tool. Do not use a power tool while you are tired or under the influence of drugs, alcohol or medication.** A moment of inattention while operating power tools may result in serious personal injury.
- Use personal protective equipment. Always wear eye protection.** Protective equipment such as dust mask, non-skid safety shoes, hard hat, or hearing protection used for appropriate conditions will reduce personal injuries.
- Prevent unintentional starting. Ensure the switch is in the off position before connecting to power source and/or battery pack, picking up or carrying the tool.** Carrying power tools with your finger on the switch or energising power tools that have the switch on invites accidents.
- Remove any adjusting key or wrench before turning the power tool on.** A wrench or a key left attached to a rotating part of the power tool may result in personal injury.
- Do not overreach. Keep proper footing and balance at all times.** This enables better control of the power tool in unexpected situations.
- Dress properly. Do not wear loose clothing or jewellery. Keep your hair, clothing and gloves away from moving parts.** Loose clothes, jewellery or long hair can be caught in moving parts.
- If devices are provided for the connection of dust extraction and collection facilities, ensure these are connected and properly used.** Use of dust collection can reduce dust-related hazards.

4) POWER TOOL USE AND CARE

- Do not force the power tool. Use the correct power tool for your application.** The correct power tool will do the job better and safer at the rate for which it was designed.
- Do not use the power tool if the switch does not turn it on and off.** Any power tool that cannot be controlled with the switch is dangerous and must be repaired.

- c) **Disconnect the plug from the power source and/or the battery pack from the power tool before making any adjustments, changing accessories, or storing power tools.** Such preventive safety measures reduce the risk of starting the power tool accidentally.
- d) **Store idle power tools out of the reach of children and do not allow persons unfamiliar with the power tool or these instructions to operate the power tool.** Power tools are dangerous in the hands of untrained users.
- e) **Maintain power tools. Check for misalignment or binding of moving parts, breakage of parts and any other condition that may affect the power tool's operation. If damaged, have the power tool repaired before use.** Many accidents are caused by poorly maintained power tools.
- f) **Keep cutting tools sharp and clean.** Properly maintained cutting tools with sharp cutting edges are less likely to bind and are easier to control.
- g) **Use the power tool, accessories and tool bits etc., in accordance with these instructions taking into account the working conditions and the work to be performed.** Use of the power tool for operations different from those intended could result in a hazardous situation.

5) BATTERY TOOL USE AND CARE

- a) **Recharge only with the charger specified by the manufacturer.** A charger that is suitable for one type of battery pack may create a risk of fire when used with another battery pack.
- b) **Use power tools only with specifically designated battery packs.** Use of any other battery packs may create a risk of injury and fire.
- c) **When battery pack is not in use, keep it away from other metal objects like paper clips, coins, keys, nails, screws or other small metal objects that can make a connection from one terminal to another.** Shorting the battery terminals together may cause burns or a fire.
- d) **Under abusive conditions, liquid may be ejected from the battery, avoid contact. If contact accidentally occurs, flush with water. If liquid contacts eyes, additionally seek medical help.** Liquid ejected from the battery may cause irritation or burns.

6) SERVICE

- a) **Have your power tool serviced by a qualified repair person using only identical replacement parts.** This will ensure that the safety of the power tool is maintained.

Additional Safety Rules for Jigsaws

- **Hold power tool by insulated gripping surfaces, when performing an operation where the cutting accessory may contact hidden wiring.** Cutting accessory contacting a "live" wire may make exposed metal parts of the power tool "live" and could give the operator an electric shock.
- **Use clamps or another practical way to secure and support the workpiece to a stable platform.** Holding the work by hand or against your body leaves it unstable and may lead to loss of control.
- **Allow the motor to come to a complete stop before withdrawing the blade from the kerf (the slot created by cutting).** A moving blade may impact the workpiece causing a broken blade, workpiece damage or loss of control and possible personal injury.
- **Keep handles dry, clean, free from oil and grease.** This will enable better control of the tool.
- **Keep blades sharp.** Dull blades may cause the saw to swerve or stall under pressure.
- **Clean out your tool often, especially after heavy use.** Dust and grit containing metal particles often accumulate on interior surfaces and could create an electric shock hazard.
- **Do not operate this tool for long periods of time.** Vibration caused by the operating action of this tool may cause permanent injury to fingers, hands, and arms. Use gloves to provide extra cushion, take frequent rest periods, and limit daily time of use.

Residual Risks

- **In spite of the application of the relevant safety regulations and the implementation of safety devices, certain residual risks cannot be avoided.**
These are:
 - Impairment of hearing.
 - Risk of accidents caused by the uncovered parts of the moving saw blade.
 - Risk of injury when changing the blade.
 - Risk of dust inhalation from materials that when cut, can be harmful.

Markings on Tool

The following pictograms are shown on the tool:



Read instruction manual before use.

DATE CODE POSITION

The Date Code, which also includes the year of manufacture, is printed into the housing surface that forms the mounting joint between tool and battery.

Example:

2012 XX XX

Year of Manufacture

Important Safety Instructions for All Battery Chargers

SAVE THESE INSTRUCTIONS: This manual contains important safety and operating instructions for the DCB105 and DCB115 battery charger.

- Before using the charger, read all instructions and cautionary markings on charger, battery pack and product using the battery pack.



WARNING: Shock hazard. Do not allow any liquid to get inside charger. Electric shock may result.



CAUTION: Burn hazard. To reduce the risk of injury, charge only DEWALT rechargeable battery packs. Other types of batteries may overheat and burst resulting in personal injury and property damage.



CAUTION: Children should be supervised to ensure that they do not play with the appliance.

NOTICE: Under certain conditions, with the charger plugged in to the power supply, the exposed charging contacts inside the charger can be shorted by foreign material. Foreign materials of a conductive nature such as, but not limited to, steel wool, aluminum foil or any buildup of metallic particles should be kept away from charger cavities. Always unplug the charger from the power supply when there is no battery pack in the cavity. Unplug charger before attempting to clean.

- **DO NOT attempt to charge the battery pack with any chargers other than the ones in this manual.** The charger and battery pack are specifically designed to work together.

- **These chargers are not intended for any uses other than charging DEWALT rechargeable batteries.** Any other uses may result in risk of fire, electric shock or electrocution.
- **Do not expose charger to rain or snow.**
- **Pull by plug rather than cord when disconnecting charger.** This will reduce risk of damage to electric plug and cord.
- **Make sure that cord is located so that it will not be stepped on, tripped over or otherwise subjected to damage or stress.**
- **Do not use an extension cord unless it is absolutely necessary.** Use of improper extension cord could result in risk of fire, electric shock or electrocution.
- **When operating a charger outdoors, always provide a dry location and use an extension cord suitable for outdoor use.** Use of a cord suitable for outdoor use reduces the risk of electric shock.
- **Do not block the ventilation slots on the charger.** The ventilation slots are located on the top and sides of the charger. Place the charger in a position away from any heat source.
- **Do not operate charger with damaged cord or plug** — have them replaced immediately.
- **Do not operate charger if it has received a sharp blow, been dropped or otherwise damaged in any way.** Take it to an authorised service centre.
- **Do not disassemble the charger; take it to an authorised service centre when service or repair is required.** Incorrect reassembly may result in a risk of electric shock, electrocution or fire.
- In case of damaged power supply cord the supply cord must be replaced immediately by the manufacturer, its service agent or similar qualified person to prevent any hazard.
- **Disconnect the charger from the outlet before attempting any cleaning.** This will reduce the risk of electric shock. Removing the battery pack will not reduce this risk.
- **NEVER attempt to connect 2 chargers together.**
- **The charger is designed to operate on standard 220-240 V household electrical power. Do not attempt to use it on any other voltage.** This does not apply to the vehicular charger.

- For best results, make sure the battery pack is fully charged before use.



WARNING: Never attempt to open the battery pack for any reason. If the battery pack case is cracked or damaged, do not insert it into the charger. Do not crush, drop or damage battery pack. Do not use a battery pack or charger that has received a sharp blow, been dropped, run over or damaged in any way (e.g., pierced with a nail, hit with a hammer, stepped on). Electric shock or electrocution may result. Damaged battery packs should be returned to the service centre for recycling.



CAUTION: When not in use, place tool on its side on a stable surface where it will not cause a tripping or falling hazard. Some tools with large battery packs will stand upright on the battery pack but may be easily knocked over.

SPECIFIC SAFETY INSTRUCTIONS FOR LITHIUM ION (Li-Ion)

- Do not incinerate the battery pack even if it is severely damaged or is completely worn out. The battery pack can explode in a fire. Toxic fumes and materials are created when lithium ion battery packs are burned.
- If battery contents come into contact with the skin, immediately wash the area with mild soap and water. If the battery liquid gets into the eye, rinse water over the open eye for 15 minutes or until irritation ceases. If medical attention is needed, the battery electrolyte is composed of a mixture of liquid organic carbonates and lithium salts.
- Contents of opened battery cells may cause respiratory irritation. Provide fresh air. If symptoms persists, seek medical attention.



WARNING: Burn hazard. Battery liquid may be flammable if exposed to spark or flame.

Battery Pack

BATTERY TYPE

The DCS332 operates on an 14.4 volt battery pack.

The DCS331 operates on an 18 volt battery pack.

The DCB140, DCB141, DCB142, DCB180, DCB181 DCB182, DCB183 or DCB184 battery packs may be used. Refer to **Technical Data** for more information.

Storage Recommendations

1. The best storage place is one that is cool and dry away from direct sunlight and excess heat or cold. For optimum battery performance and life, store battery packs at room temperature when not in use.
2. For long storage, it is recommended to store a fully charged battery pack in a cool, dry place out of the charger for optimal results.

NOTE: Battery packs should not be stored completely depleted of charge. The battery pack will need to be recharged before use.

Labels on Charger and Battery Pack

In addition to the pictographs used in this manual, the labels on the charger and the battery pack show the following pictographs:



Read instruction manual before use.



Charging.



Fully charged.



Hot/cold pack delay.



Problem pack or charger.



Problem powerline.



Do not probe with conductive objects.



Do not charge damaged battery packs.



Charge DEWALT battery packs only with designated DEWALT chargers. Charging battery packs other than the designated DEWALT batteries with a DEWALT charger may make them burst or lead to other dangerous situations (see **Technical Data**).



Do not expose to water.



Have defective cords replaced immediately.



Charge only between 4 °C and 40 °C.



Discard the battery pack with due care for the environment.



Do not incinerate the battery pack.



Li-Ion Charges Li-Ion battery packs.



See **Technical Data** for charging time.



Only for indoor use.

Package Contents

- 1 Cordless jigsaw
- 1 Anti-scratch shoe cover
- 1 Dust port
- 2 Batteries
- 1 Charger
- 1 Instruction manual

NOTE: Battery packs, chargers and kitboxes are not included with N-models.

- Check for damage to the tool, parts or accessories which may have occurred during transport.
- Take the time to thoroughly read and understand this manual prior to operation.

Description (fig. 1, 2, 6, 10, 11)



WARNING: Never modify the power tool or any part of it. Damage or personal injury could result.

- a. Battery release button
- b. Battery pack
- c. Trigger switch
- d. Trigger lock button
- e. Blade release lever
- f. Bevel lever
- g. Shoe
- h. Orbital action lever
- i. Dust blower control
- j. Anti-scratch shoe cover
- k. Clamp Mechanism
- l. Guide Roller
- m. Rear Tab
- n. Anti-Splinter Insert

- p. Main Handle
- q. Top Handle

INTENDED USE

Your DCS332 and DCS331 jig saws are designed for professional cutting of wood, steel, aluminium, plastic and ceramic material at various work sites (i.e., construction sites).

DO NOT use under wet conditions or in presence of flammable liquids or gases.

These heavy-duty jigsaws are professional power tools.

DO NOT let children come into contact with the tool. Supervision is required when inexperienced operators use this tool.

- This product is not intended for use by persons (including children) suffering from diminished physical, sensory or mental abilities; lack of experience, knowledge or skills unless they are supervised by a person responsible for their safety. Children should never be left alone with this product.

Electrical Safety

The electric motor has been designed for one voltage only. Always check that the battery pack voltage corresponds to the voltage on the rating plate. Also make sure that the voltage of your charger corresponds to that of your mains.



Your DEWALT charger is double insulated in accordance with IEC 60335; therefore no earth wire is required.

If the supply cord is damaged, it must be replaced by a specially prepared cord available through the DEWALT service organisation.

Using an Extension Cable

An extension cord should not be used unless absolutely necessary. Use an approved extension cable suitable for the power input of your charger (see **Technical Data**). The minimum conductor size is 1 mm²; the maximum length is 30 m.

When using a cable reel, always unwind the cable completely.

ASSEMBLY AND ADJUSTMENT



WARNING: To reduce the risk of serious personal injury, depress the trigger lock button and disconnect battery pack before making any adjustments or removing/installing attachments or accessories. An accidental start-up can cause injury.



WARNING: Use only DEWALT battery packs and chargers.

Inserting and Removing the Battery Pack from the Tool (fig. 4)

NOTE: For best results, make sure your battery pack is fully charged. The light will shut off without warning when the battery is fully discharged.

TO INSTALL THE BATTERY PACK INTO THE TOOL HANDLE

1. Align the battery pack (b) with the rails inside the tool's handle (fig. 4).
2. Slide it into the handle until the battery pack is firmly seated in the tool and ensure that it does not disengage.

TO REMOVE THE BATTERY PACK FROM THE TOOL

1. Press the battery release button (a) and firmly pull the battery pack out of the tool handle.
2. Insert battery pack into the charger as described in the charger section of this manual.

FUEL GAUGE BATTERY PACKS (FIG. 4)

Some DEWALT battery packs include a fuel gauge which consists of three green LED lights that indicate the level of charge remaining in the battery pack.

To actuate the fuel gauge, press and hold the fuel gauge button (r). A combination of the three green LED lights will illuminate designating the level of charge left. When the level of charge in the battery is below the usable limit, the fuel gauge will not illuminate and the battery will need to be recharged.

NOTE: The fuel gauge is only an indication of the charge left on the battery pack. It does not indicate tool functionality and is subject to variation based on product components, temperature and end-user application.

Blade Installation and Removal (fig. 6)

TO INSTALL A BLADE

NOTE: This jig saw uses only T-shank jig saw blades.

NOTE: The DT2074 flush cutting blade is for use with DEWALT DCS331, DCS332, DW331 and DC330 jig saws only.

NOTE: When installing flush cutting blades (DT2074), the anti-splinter insert must be removed and the shoe must be in the 0° positive stop position.

1. Lift the keyless blade release lever (e) as shown in figure 6.

2. Insert the T-shank blade into the clamp mechanism (k) while guiding the back of the blade into the groove of the guide rollers (l).
3. The T-shank should be completely inside the clamp mechanism as shown in Figure 6.
4. Release the keyless blade release lever.

TO REMOVE A BLADE



CAUTION: Do not touch used blades, they may be hot. Personal injury may result.

1. Lift the keyless blade release lever (e).
2. With a slight shake the blade will drop out.

Beveling the Shoe (fig. 7)

To unlock the shoe, pull the keyless bevel lever (f) to the side.

To lock the shoe, push the keyless bevel lever back under the body of the jigsaw.

TO BEVEL THE SHOE

1. Unlock the shoe.
2. Slide the shoe (g) forward to release it from the 0° positive stop position.
3. The shoe can be beveled to the left or to the right and has detents at 15°, 30° and 45°. The shoe can be manually stopped at any degree between 0° and 45°.
4. Once the desired bevel angle is achieved, lock the shoe into place.

TO SET SHOE BACK TO 0°

1. Unlock the shoe.
2. Rotate the shoe back to 0°.
3. Slide the shoe back into the 0° positive stop position.
4. Lock the shoe.

Cutting Action – Orbital or Straight (fig. 8)

This jig saw is equipped with four cutting actions, three orbital and one straight. Orbital action has a more aggressive blade motion and is designed for cutting in soft materials like wood or plastic. Orbital action provides a faster cut, but with a less smooth cut across the material. In orbital action, the blade moves forward during the cutting stroke in addition to the up and down motion.

NOTE: Metal or hardwoods should never be cut in orbital action.

To adjust the cutting action, move the orbital action lever (h) between the four cutting positions: 0,

1, 2, and 3. Position 0 is straight cutting. Positions 1, 2, and 3 are orbital cutting. The aggressiveness of the cut increase as the lever is adjusted from one to three, with three being the most aggressive cut.

Dust Blower (fig. 9)

The dust blower helps clear the cutting area of debris created from the blade.

NOTE: When cutting metal, turn the dust blower off so cutting fluids are not blown away from the blade.

To turn the dust blower on, slide the dust blower control (i) all the way to the top.

To turn the dust blower off, slide the dust blower control all the way to the bottom.

Removeable Anti-Scratch Shoe Cover (fig. 10)

The anti-scratch shoe cover (j) should be used when cutting surfaces that scratch easily, such as laminate, veneer or paint.

To attach anti-scratch shoe cover (j), place the front of the aluminum shoe (g) into the front of the anti-scratch shoe cover and lower the jig saw. The anti-scratch shoe cover will click securely onto the rear of aluminum shoe.

To remove anti-scratch shoe cover, grasp the anti-scratch shoe cover from the bottom; holding onto the two rear tabs (m) remove the anti-scratch shoe cover.

Anti-Splinter Insert (fig. 11)

NOTE: Do not use the anti-splinter insert with the flush cutting blade.

The anti-splinter insert (n) should be used when trying to minimize tear-out, especially when cutting veneer, laminate, or finished surfaces, such as paint. The anti-splinter insert should be installed into the anti-scratch shoe cover (j). If the no-mar cover is not used, install anti-splinter insert into shoe (g).

Prior to Operation

- Make sure your battery pack is (fully) charged.

OPERATION



WARNING: To reduce the risk of serious personal injury, depress the trigger lock button and disconnect battery pack before making any adjustments or removing/installing attachments or accessories. An accidental start-up can cause injury.



WARNING: Always wear proper personal hearing protection. Under some conditions and duration of use, noise from this product may contribute to hearing loss.

Instructions for Use



WARNING:

- Always observe the safety instructions and applicable regulations.
- Make sure your workpiece is well secured. Remove nails, screws and other fasteners that may damage the blade.
- Check that there is sufficient space for the blade underneath the workpiece. Do not cut materials that are thicker than the maximum cutting depth.
- Use sharp saw blades only. Damaged or bent saw blades must be removed immediately.
- Never run your tool without a saw blade.
- For optimal results, move the tool smoothly and constantly over the workpiece. Do not exert lateral pressure on the saw blade. Keep the shoe flat on the workpiece. When sawing curves, circles or other round shapes, push the tool gently forward.
- Wait until the tool has come to a standstill before removing the saw blade from the workpiece. After sawing the blade may be very hot. Do not touch.

Proper Hand Position (fig. 1, 14)



WARNING: To reduce the risk of serious personal injury, **ALWAYS** use proper hand position as shown.



WARNING: To reduce the risk of serious personal injury, **ALWAYS** hold securely in anticipation of a sudden reaction.

Proper hand position requires one hand on the top handle (q), with the other hand on the main handle (p).

Trigger Switch (fig. 1)

To start the jig saw, squeeze the trigger switch (c).

To slow and stop the jig saw, release the trigger switch.

VARIABLE SPEED (FIG. 5)

As the trigger switch is pressed in, the strokes-per-minute continue to increase, but not to exceed

the maximum speed of the tool. As the trigger is released, the blade strokes-per-minute reduce.

The trigger lock button (d) should be depressed whenever the tool is not in use to eliminate the chance of accidental starting.

Cutting



WARNING: *The jig saw should not be operated with the shoe removed or serious personal injury may result.*

POCKET CUTTING (FIG. 12)

A pocket cut is an easy method of making an inside cut. The saw can be inserted directly into a panel or board without first drilling a lead or pilot hole. In pocket cutting, measure the surface to be cut and mark clearly with a pencil. Next tip the saw forward until the front end of the shoe sits firmly on the work surface and the blade clears the work through its full stroke. Switch the tool on and allow it to attain maximum speed. Grip the saw firmly and lower the back edge of tool slowly until the blade reaches its complete depth. Hold the shoe flat against the wood and begin cutting. Do not remove blade from cut while it is still moving. Blade must come to a complete stop.

FLUSH CUTTING (FIG. 13)

A flush cut is necessary when finishing off cuts up to a wall or an obstacle, such as back-splash. One of the easiest ways to accomplish the flush cut is to use a flush cutting blade (DT2074). The flush cutting blade provides the reach necessary to cut right up to the front edge of the jig saw shoe. Remove the anti-splinter insert and return the shoe to the 0° positive stop position before installing and using the flush cutting blade. For the best cut quality the flush cutting blade should be used in the 0 or 1 orbital position. The flush cutting blade should not be used to start the cut because the flush cutting blade prevents the shoe from being supported by the work surface. Use wood cutting practices explained below.

WOOD CUTTING

Support the workpiece adequately at all times. Use the higher speed setting for cutting wood. Do not attempt to turn the tool on when blade is against material to be cut. This could stall the motor. Place the front of shoe on the material to be cut and hold the jig saw shoe firmly against the wood while cutting. Don't force the tool; let the blade cut at its own speed. When the cut is complete, turn the jig saw off. Let blade come to a complete stop and then lay the saw aside before loosening the work.

METAL CUTTING

In cutting thin gauge sheet metals, it is best to clamp wood to the bottom of sheet metal; this will insure a clean cut without the risk of vibration or tearing of metal. Always remember to use a finer blade for ferrous metals (for those that have a high iron content); and use a coarser blade for non-ferrous metals (those that do not have an iron content). Use a high speed setting for cutting soft metals (aluminum, copper, brass, mild steel, galvanized pipe, conduit sheet metal, etc.). Use lower speed to cut plastics, tile, laminate, hard metals, and cast iron.

MAINTENANCE

Your DEWALT power tool has been designed to operate over a long period of time with a minimum of maintenance. Continuous satisfactory operation depends upon proper tool care and regular cleaning.



WARNING: *To reduce the risk of serious personal injury, depress the trigger lock button and disconnect battery pack before making any adjustments or removing/installing attachments or accessories. An accidental start-up can cause injury.*

The charger and battery pack are not serviceable. There are no serviceable parts inside.



Lubrication

LUBRICATING THE GUIDE ROLLER (FIG. 6)

- Apply a drop of oil to the guide roller (l) at regular intervals to prevent jamming.



Cleaning



WARNING: *Blow dirt and dust out of the main housing with dry air as often as dirt is seen collecting in and around the air vents. Wear approved eye protection and approved dust mask when performing this procedure.*



WARNING: *Never use solvents or other harsh chemicals for cleaning the non-metallic parts of the tool. These chemicals may weaken the materials used in these parts. Use a cloth dampened only with water and mild soap. Never let any liquid get inside the*

tool; never immerse any part of the tool into a liquid.

CHARGER CLEANING INSTRUCTIONS



WARNING: Shock hazard. Disconnect the charger from the AC outlet before cleaning. Dirt and grease may be removed from the exterior of the charger using a cloth or soft non-metallic brush. Do not use water or any cleaning solutions.

Optional Accessories



WARNING: Since accessories, other than those offered by DEWALT, have not been tested with this product, use of such accessories with this tool could be hazardous. To reduce the risk of injury, only DEWALT, recommended accessories should be used with this product.

Consult your dealer for further information on the appropriate accessories.

These include:

- DE3241 Parallel guide
- DE3242 Trammel bar
- 581281-00 Dust extraction adapter
- 581239-01 Dust extraction shroud
- 402140-00 Anti-splinter shoe insert
- 581268-00 Anti-scratch shoe cover

Protecting the Environment



Separate collection. This product must not be disposed of with normal household waste.

Should you find one day that your DEWALT product needs replacement, or if it is of no further use to you, do not dispose of it with household waste. Make this product available for separate collection.



Separate collection of used products and packaging allows materials to be recycled and used again. Re-use of recycled materials helps prevent environmental pollution and reduces the demand for raw materials.

Local regulations may provide for separate collection of electrical products from the household, at municipal waste sites or by the retailer when you purchase a new product.

DEWALT provides a facility for the collection and recycling of DEWALT products once they have reached the end of their working life. To take advantage of this service please return your product to any authorised repair agent who will collect them on our behalf.

You can check the location of your nearest authorised repair agent by contacting your local DEWALT office at the address indicated in this manual. Alternatively, a list of authorised DEWALT repair agents and full details of our after-sales service and contacts are available on the Internet at: www.2helpU.com.



Rechargeable Battery Pack

This long life battery pack must be recharged when it fails to produce sufficient power on jobs which were easily done before. At the end of its technical life, discard it with due care for our environment:

- Run the battery pack down completely, then remove it from the tool.
- Li-Ion cells are recyclable. Take them to your dealer or a local recycling station. The collected battery packs will be recycled or disposed of properly.

18V锂电充电式曲线锯

DCS331, DCS332

祝贺您！

感谢您选择得伟工具。凭借多年的经验以及全面的产品开发与创新，得伟已经成为专业电动工具使用者最值得信赖的伙伴之一。

如果你对这款或者任何的得伟工具有任何的疑问或者意见，请致电：800-820-4221或者 400-620-4221

技术参数

		DCS332	DCS331
电压	伏特（直流）	14.4	18
电池类型		锂离子	锂离子
空载转速	转 / 分	0-2500	0-3000
冲程长度	毫米	26	26
锯切深度：			
- 木材	毫米	135	135
- 铝材	毫米	25	25
- 钢材	毫米	10	10
坡口调节范围 (l/r)		0-45	0-45
重量（不含 电池组）	千克	2.4	2.4

电池组	DCB140	DCB141	DCB142
类型	锂离子	锂离子	锂离子
电压	伏特 14.4	14.4	14.4
容量	安时 3.0	1.5	4.0
重量	千克 0.53	0.30	0.54

电池组	DCB180	DCB181	DCB182
Battery type	锂离子	锂离子	锂离子
电压	伏特 18	18	18
容量	安时 3.0	1.5	4.0
重量	千克 0.64	0.35	0.61

电池组	DCB183	DCB184
类型	锂离子	锂离子
电压	伏特 18	18
容量	安时 2.0	5.0
重量	千克 0.4	0.62

充电器		DCB105	
电压	伏特	220	
类型		锂离子	
电池组的大约	分钟	25	30
充电时间		(1.3 安时 电池组)	(1.5 安时 电池组)
		40	55
		(2.0 安时 电池组)	(3.0 安时 电池组)
		70	90
		(4.0 安时 电池组)	(5.0 安时 电池组)
重量	千克	0.49	

充电器		DCB115	
电压	伏特	220	
类型		锂离子	
电池组的大约	分钟	22	22
充电时间		(1.3 安时 电池组)	(1.5 安时 电池组)
		30	45
		(2.0 安时 电池组)	(3.0 安时 电池组)
		60	70
		(4.0 安时 电池组)	(5.0 安时 电池组)
重量	千克	0.5	
类型		锂离子	
电池组的大约	分钟	22	45
充电时间		(1.5 安时)	(3.0 安时)
		60	
		(4.0 安时)	
重量	kg	0.5	

定义：安全守则

下列定义描述了各标志术语的严重程度。请仔细阅读本手册，并注意这些标志。



危险：表示紧急危险情况，如果不加以避免，将导致死亡或严重伤害。



警告：表示存在潜在的危险情况，如果不加以避免，可能导致死亡或严重伤害。



警示：表示存在潜在危险情况，如果不加以避免，可能导致**轻度或中度伤害**。

注意：表示存在不涉及人身伤害的情况，如果不加以避免，可能导致**财产损失**。



表示存在触电风险。



表示存在火灾风险。



警告：为降低伤害风险，请阅读使用手册。

电动工具通用安全警告



警告！阅读所有警告和所有说明。不遵照以下警告和说明会导致电击、着火和/或严重伤害。

保存所有警告和说明书以备查阅。

在所有下列的警告中术语“电动工具”指市电驱动（有线）电动工具或电池驱动（无线）电动工具。

a) 工作场地的安全

- 1) **保持工作场地清洁和明亮。**混乱和黑暗的场地会引发事故。
- 2) **不要在易爆环境，如有易燃液体、气体或粉尘的环境下操作电动工具。**电动工具产生的火花会点燃粉尘或气体。
- 3) **让儿童和旁观者离开后操作电动工具。**注意力不集中会使操作者失去对工具的控制。

b) 电气安全

- 1) **电动工具插头必须与插座相配。绝不能以任何方式改装插头。**需接地的电动工具不能使用任何转换插头。未经改装的插头和相配的插座将减少电击危险。
- 2) **避免人体接触接地表面，如管道、散热片和冰箱。**如果你身体接地会增加电击危险。
- 3) **不得将电动工具暴露在雨中或潮湿环境中。**水进入电动工具将增加电击危险。
- 4) **不得滥用电线。绝不能用电线搬运、拉动电动工具或拔出其插头。使电线远离热源、油、锐**

边或运动部件。受损或缠绕的软线会增加电击危险。

- 5) **当在户外使用电动工具时，使用适合户外使用的外接软线。**适合户外使用的软线将减少电击危险。
- 6) **如果在潮湿环境下操作电动工具是不可避免的，应使用剩余电流动作保护器（RCD）。**使用RCD可减小电击危险。

c) 人身安全

- 1) **保持警觉，当操作电动工具时关注所从事的操作并保持清醒。当你感到疲倦，或在有药物、酒精或治疗反应时，不要操作电动工具。**在操作电动工具时瞬间的疏忽会导致严重人身伤害。
- 2) **使用个人防护装置。始终佩戴护目镜。**安全装置，诸如适当条件下使用防尘面具、防滑安全鞋、安全帽、听力防护等装置能减少人身伤害。
- 3) **防止意外起动。确保开关在连接电源和/或电池组、拿起或搬运工具时处于关断位置。**手指放在已接通电源的开关上或开关处于接通时插入插头可能会导致危险。
- 4) **在电动工具接通之前，拿掉所有调节钥匙或扳手。**遗留在电动工具旋转零件上的扳手或钥匙会导致人身伤害。
- 5) **手不要伸展得太长。时刻注意立足点和身体平衡。**这样在意外情况下能很好地控制电动工具。
- 6) **着装适当。不要穿宽松衣服或佩戴饰品。让你的衣服、手套和头发远离运动部件。**宽松衣服、配饰或长发可能会卷入运动部件中。
- 7) **如果提供了与排屑、集尘设备连接用的装置，要确保他们连接完好且使用得当。**使用这些装置可减少尘屑引起的危险。

d) 电动工具使用和注意事项

- 1) **不要滥用电动工具，根据用途使用适当的电动工具。**选用适当设计的电动工具会使你工作更有效、更安全。

- 2) 如果开关不能接通或关断工具电源，则不能使用该电动工具。不能用开关来控制的电动工具是危险的且必须进行修理。
- 3) 在进行任何调节、更换附件或贮存电动工具之前，必须从电源上拔掉插头和 / 或使电池盒与工具脱开。这种防护性措施将减少工具意外起动的危险。
- 4) 将闲置不用的电动工具贮存在儿童所及范围之外，并且不要让不熟悉电动工具或对这些说明不了解的人操作电动工具。电动工具在未经培训的用户手中是危险的。
- 5) 保养电动工具。检查运动件是否调整到位或卡住，检查零件破损情况和影响电动工具运行的其他状况。如有损坏，电动工具应在使用前修理好。许多事故由维护不良的电动工具引发。
- 6) 保持切削刀具锋利和清洁。保养良好的有锋利切削刃的刀具不易卡住而且容易控制。
- 7) 按照使用说明书，考虑作业条件和进行的作业来使用电动工具、附件和工具的刀头等。将电动工具用于那些与其用途不符的操作可能会导致危险。

e) 电池式工具使用和注意事项：

- 1) 只用制造商规定的充电器充电。将适用于某种电池盒的充电器用到其他电池盒时会发生着火危险。
- 2) 只有在配有专用电池盒的情况下才使用电动工具。使用其他电池盒会发生损坏和着火危险。
- 3) 当电池盒不用时，将它远离其他金属物体，例如回形针、硬币、钥匙、钉子、螺钉或其他小金属物体，以防一端与另一端连接。电池端部短路会引起燃烧或火灾。
- 4) 在滥用条件下，液体会从电池中溅出，避免接触。如果意外碰到了，用水冲洗。如果液体碰到了眼睛，还要寻求医疗帮助。从电池中溅出的液体会发生腐蚀或燃烧。

f) 维修

- 1) 让专业维修人员使用相同的备件维修电动工具。这将保证所维修的电动工具的安全。

曲线锯安全细则

- 在切削附件可能触及暗线进行操作时，要通过绝缘握持面来握持工具。切削附件碰到带电导线会使工具外露的金属零件带电从而使操作者受到电击。
- 使用夹具或其他可行方法来固定和支撑工件，将其固定到稳定的平台上。用手抓住工件或用身体抵住工件并不稳定，可能会导致工件失控。
- 等到电机完全停止后，再将锯片从切口（锯切产生的槽口）中抽出。运转中的锯片可能会冲击工件，从而导致锯片折断、工件损坏或失控，并且可能造成人身伤害。
- 保持手柄干燥、清洁、无油或油脂。这样能够提高工具的操控性。
- 经常清洁工具，尤其是在长时间使用后。带有金属屑的粉尘和磨粒常常会在外表面聚积，并且可能会引起触电危险。
- 锯片保持锋利。钝的锯片会在压力下偏斜或停止。
- 切勿长时间操作此工具。本工具运行引起的震动可能对手指、手部和手臂造成永久伤害。使用手套提供额外缓冲，经常停下休息，并限制使用时间。

剩余风险

尽管遵守了相关的安全法规并采用了安全装备，某些其他风险仍然是无法避免的。这些风险包括：

- 听力损伤。
- 飞溅颗粒造成的人身伤害风险。
- 使用时附件发热导致的灼伤风险。
- 长时间使用引起的人身伤害风险。

工具上的标识

工具上印有下列图形：



使用前请阅读使用手册。

日期码的位置

日期码印在工具外壳上，其中还包含制造年份

示例：

2012 XX XX

制造年份

针对所有电池充电器的重要安全说明

请妥善保管好这些说明：本手册包含重要的兼容电池充电器安全和操作说明。

- 在使用充电器之前，请先阅读所有指示以及充电器、电池组和使用电池组的产品上的警示标记。



警告：触电危险。请勿让任何液体渗入充电器，否则可能会引起触电。



警示：灼伤危险。为减低人身伤害风险，只可以使用 DeWALT 充电式电池充电。使用其它类型的电池可能会引起爆裂，并导致人身伤害和损害。



警示：应看管好儿童，以确保他们不将此设备当做玩具来玩。

注意：在某些情况下，充电器连接到电源后，充电器触头可能会被异物导致短路。导电的外来物件，包括但不限于研磨粉尘、金属屑、钢丝绒、铝箔纸或任何由金属粒子组成的物件，必须远离充电器范围。充电器内没有电池组时，请断开充电器与电源的连接。清洗前，务必拔掉充电器。

- 请勿试图使用本手册指定的充电器以外的其他任何充电器为电池组充电。充电器和电池组都是专门设计的，互相配合使用。
- 除了为 DeWALT 充电式电池充电以外，这些充电器并不能用于其它用途。否则可能会导致火灾、触电或电击。
- 请勿将充电器暴露于雨中或雪中。
- 断开充电器连接时，应拔掉插头，切勿拉拽电源线。这将降低损坏电插头和电线的风险。

- 确保电源线布置在不易踩踏、踢绊、拉扯或会受到损害或压力的位置。
- 除非绝对必要，否则请勿使用延长线。使用不正确的延长电线可能存在火灾、触电或电击风险。
- 请勿将任何物件放在充电器上面，或是把充电器放在可能会堵住通风槽的柔软表面，导致充电器的内部过热。请把充电器放置在远离任何热源的位置。充电器外壳顶端和底端具有通风槽。
- 禁止使用电源线或插头已损坏的充电器。请立即更换已损坏的充电器。
- 如果充电器受到强烈重击、掉落或出现其他损坏情况，请勿使用充电器。请将损坏的充电器送到授权维修中心维修。
- 请勿自行拆卸充电器。请将需要检修或修理的充电器送到授权维修中心。重装不正确可能导致触电、电击或火灾风险。
- 必须立即将已损坏的电源线交由制造商、服务代理或类似的合格人员进行更换以防止安全隐患。
- 清洁前，请先断开充电器和插座的连接，以降低触电风险。取出电池组不会降低触电风险。
- 切勿将两个充电器连接在一起。
- 充电器是为 220 V 的标准家用电源而设计。请勿试图在任何其他电压下使用充电器。此规则不适用于车载充电器。

请妥善保管好这些说明

充电器

DCB105 和 DCB115 充电器可以向 10.8 伏，14 伏，18 伏锂离子电池组（DCB140, DCB141, DCB142, DCB180, DCB181 DCB182, DCB183 和 DCB184）充电。DeWALT 充电器无需做出任何调整，专为简易操作而设计。

充电程序（图 3）





1. 插入电池组前，先将充电器的插头插到相应的电源插座上。

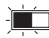




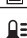
- 将电池组 (f) 插入充电器。红色 (充电中) 指示灯将不断闪烁, 表示充电过程已经开始。
- 红色灯持续亮起表示充电完成。此时电池组已完全充电, 您可以使用电池组或将电池组留在充电器上。

注: 为了确保锂离子电池的效能和使用寿命最大化, 在首次使用电池组之前必须将其完全充电。

充电程序

关于电池组的充电状态, 请参阅下表。

充电状态指示灯: DCB105	
 充电中	--- -- -- -- --
 已完全充电	-----
 热/冷电池组延迟	--- . --- . --- . ---
 更换电池组

充电状态指示灯: DCB115	
 充电中	--- -- -- -- -- 
 已完全充电	----- 
 热/冷电池组延迟	--- -- -- --- 

***DCB115:** 红色指示灯会继续闪烁, 但黄色指示灯在本次操作过程中会亮起。电池达到适当温度后, 黄色指示灯会熄灭, 充电器将恢复充电程序。

此兼容充电器不能为故障的电池组充电。充电器指示灯不亮或“故障的电池组或充电器”指示灯闪烁时, 表示电池有故障。

注: 这也可能意味着充电器有故障。如果充电器提示存在故障, 请将充电器和电池组送到授权的服务中心进行测试。

热/冷电池组延迟

当充电器检测到电池过热或过冷时, 它会自动启动热/冷电池延迟模式, 暂停充电, 直到电池达到适当的温度。然后, 充电器会自动切换到电池组充电模式。此功能可确保电池拥有最长的使用寿命。

XR 锂离子电池工具具有电子保护系统设计, 可保护电池免受过载、过热或过度放电之害。如果电子保护系统处于运作状态, 该工具将自动停止操作。

如果发生这种情况, 请将锂离子电池放在充电器上, 直至其完全充电。

冷电池组充电速率是温热的电池组充电速率的一半左右。电池组在整个充电周期的充电速度都会较慢, 即使电池升温也不会返回到最高速度。

针对所有电池组的重要安全说明

在订购替换电池组时, 请务必提供产品目录号和电压。包装箱内的电池组并未完全充电。使用电池组和充电器之前, 请阅读下列安全指示, 然后遵循所述的充电程序。

请阅读所有说明。

- 禁止在易爆环境中充电或使用电池组, 如有易燃液体、气体或粉尘的环境。插入或取出电池组时可能会点燃粉尘或烟雾。

切勿将电池组强行插入充电器。禁止以任何方式改装电池组并将电池组插入不兼容的充电器, 这种操作可能会导致电池组破裂, 造成严重的人身伤害。

- 只使用指定的 DeWALT 充电器为电池组充电。
- 禁止把电池组浸泡在水或其他液体中, 或泼洒水或其他液体到电池组上。
- 禁止在温度可能达到或超过 **40°C (105°F)** 的地方 (如夏天户外的棚子或金属建筑物中) 存储或使用工具和电池组。
- 为达到最佳效果, 请确保电池组在使用前完全充电。



警告: 无论任何理由, 都禁止打开电池组。电池组外壳破裂或损坏时, 禁止将电池组插入充电器。请勿挤压、掉落或损坏电池组。禁止使用受过强烈重击、掉落、碾压或以任何其他方式 (如被钉子穿破、受到锤子的重击、踩踏) 受损的电池组或充电器。否则会引起触电或电击。损坏的电池组应交回服务中心回收。



警告: 在不使用时, 请将工具放置在不会引起人摔倒的稳定表面上。一些具

有大型电池组的工具可以直立于电池组上，但很容易被撞翻。

锂离子电池的安全说明

- 即使在电池组严重受损或完全磨损的情况下，也请勿焚烧电池组。电池组可能会在火中爆炸。锂离子电池组在燃烧时会释放有毒气体和物质。
- 如果皮肤接触到电池内含物质，请立即用温和肥皂和水冲洗接触的地方。如果电池液进入眼睛，应睁开眼睛用清水冲洗至少 15 分钟或直到刺激感消失。如果需要医疗救助，请告知医护人员：电池电解质是由液状有机碳酸盐和锂盐的混合物组成。
- 电池里的成分可能导致呼吸道刺激。此时请保持空气流通。如果症状仍然存在，请就医。



警告：烧伤危险。电池液如果接触到火花或火焰可能会燃烧。

电池组

电池类型

DCS332 使用 14.4 伏特电池组。

DCS331 使用 18 伏特电池组。

DCB140, DCB141, DCB142, DCB180, DCB181, DCB182, DCB183 or DCB184 电池组都可以使用。更多信息，请参阅技术参数。

存储建议

1. 最好将电池存放在阴凉、干燥、远离阳光直射、不会过热或过冷的地方。为了获得最佳的电池性能和使用寿命，在不使用时请将电池组存储在室温下。
2. 长期存储时，建议将完全充电的电池组从充电器取出，存储在阴凉、干燥的地方，以达到电池组的最佳性能。

注意：电池组存储时不能处于电荷完全耗尽的状态。在使用电池组之前，电池组必须重新充电。

充电器和电池组上的标签

除了在本手册中使用的标志，充电器和电池组的标签还包括：



使用前请仔细阅读使用手册。



电池充电中。



电池完成充电。



热/冷电池组延迟。



故障电池组或充电器。



故障电源线。



禁止使用导电物体碰触。



禁止对损坏的电池组充电。



只使用 DEWALT 电池组。其他电池组可能会爆炸，造成人身伤害和损害。



禁止暴露于水中。



电线故障，请立即更换。



只在 4°C 和 40°C 之间的温度下充电。



废弃电池组请回收。

LI-ION



禁止焚烧电池组。



Li Ion 锂离子电池组充电。



充电时间，请参阅技术参数。



只能在室内使用。

包装内容

本产品包装内的物品有：

- 1 充电式曲线锯
- 1 防划伤底脚垫
- 1 排渣接口
- 2 锂离子电池组
- 1 充电器
- 1 说明书

注：N-型号不包括电池组、充电器和维修箱。

- 检查工具、部件或配件是否在运输过程中损坏。
- 操作前请花时间仔细阅读和理解本手册。

说明 (图 1、2、6、10、11)



警告：切勿改装电动工具或其任何部件，否则可能会导致损坏或人身伤害。

- a 电池释放按钮
- b. 电池组
- c. 触发开关
- d. 开关锁定按钮
- e. 锯片无键释放手柄
- f. 坡口无键控制杆
- g. 底脚
- h. 轨道模式控制柄
- i. 吹屑器控制拨杆
- j. 防划伤底脚垫
- k. 刀头夹持机构
- l. 导向滚轮
- m. 后凸台
- n. 防裂插件
- p. 主把手
- q. 顶部把手

预期用途

本DCS331/DCS332曲线锯设计用于专业锯切木材、钢材、铝材、塑料和陶瓷材料。

禁止在潮湿环境中或在有易燃液体或气体的环境中使用本工具。

此曲线锯是专业的电动工具。

请勿让儿童接触本工具。缺乏经验的操作员需要在监督下使用本工具。

- 本产品不适合体力、感觉或智力不足，或者缺乏经验及知识的人员（包括小孩）使用，除非一旁有能为他们的安全负责的监督人员。不得在无人监管的情况下让儿童触及本产品。

电气安全

电机只适用一种工作电压。请务必检查电池组的电压是否和铭牌上的电压一致。另外，请确保充电器电压和主电源的电压一致。



DeWALT 充电器符合 IEC 60335 双重绝缘要求，因此无需使用接地线。

如果电源线损坏，必须采用得伟维修机构提供的专用线。

使用延长线

仅在绝对必要时使用延长线。使用得延长线必须经过批准并满足您充电器的功率输入（见“技术参数”）要求。最小导体面积为1平方毫米，最大长度为30米。

使用电缆卷筒时，请确保电缆完全展开。

组装与调整



警示：为降低严重的人身伤害风险，在进行任何调整或取出/安装附加装置或附件之前，请关闭工具并断开电池组连接。意外启动可能会导致人身伤害。



警示：只使用 DeWALT 电池组和充电器。

电池组在工具上的拆、装步骤（图4）

注意：为达到最佳效果，请确保电池组已充满电。电池组完全放电后，指示灯会在没有任何预警的情况下关闭。

将电池组安装到工具手柄中

1. 把电池组（b）与工具手柄内的轨道对正（图4）。
2. 把电池组滑入手柄，直至牢固固定，确保不会松脱。

从工具上取出电池组

1. 按下电池释放按钮（a），把电池组用力从工具手柄中拉出。
2. 按照本手册充电器部分的说明，将电池组插入充电器。

电池组电量指示器（图4）

一些 DeWALT 电池组带有一个包含三个绿色 LED 指示灯的电量计，用于指示电池组内的剩余电量。

按下电量计按钮（r）不松开，即可启动电量计。三个绿色 LED 指示灯将以组合方式亮起，以指示剩余电量。当电池内的电量低于可用限制时，电量计将不会亮起，电池将需要重新充电。

注意：电量指示器仅显示电池组的余电情况，与工具的可用性能无关；电量显示随产品部件、温度、用户使用情况而有所变化。

锯片安装与拆卸步骤（图6）

安装锯片

注意：本曲线锯仅可使用T型柄曲线锯锯片。

注意：DT2074 齐边锯片仅可用于得伟 DCS331、DCS332、DW331 和 DC330曲线锯。

注意：安装齐边锯片(DT2074)时，必须拆下防开裂插件，并且底脚必须位于0°正停位置。

1. 抬起锯片无键释放手柄（e），如图5所示。
2. 把T型柄锯片插入夹持机构（k），同时引导锯片背面进入导向轮槽中。
3. T型柄必须完全进入夹持机构，如图5所示。

4. 释放锯片无键释放手柄。

锯片拆卸



警告：锯片使用后会发烫，切勿接触；否则会导致人身伤害。

1. 抬起锯片无键释放手柄（e）。
2. 轻轻摇动，锯片会自行掉出。

底脚坡口调节步骤（图7）

要松开底脚，请把坡口无键控制杆（f）向侧面拉。

要锁定底脚，请把坡口无键控制杆往回拉，直至曲线锯锯身的下面。

锯片坡口设定步骤

1. 松开底脚。
2. 把底脚（g）向前滑动，将其从0°正停位置释放。
3. 底脚可左、右倾斜，并有15°、30°和45°定位器。底脚可手动设定在0°至45°之间的任何角度。
4. 坡口角度设定好之后，请把底脚锁定到位。

把底脚设定回0°

1. 松开底脚。
2. 转动底脚回0°。
3. 把底脚滑动回0°正停位置。
4. 锁定底脚。

锯切模式——轨道式或直线式（图8）

本曲线锯设计有四种锯切模式，三种轨道式、一种直线式。轨道式锯片运动时，锯切强度大，可用于锯切软材料，例如木材、塑料等。轨道式锯切速度更快，但在材料上的截面不够光滑。在轨道模式下，锯片在切削冲程中除了上下运动外，还向前运动。

注意：禁止使用轨道模式锯切金属或硬木。

锯切模式调整步骤，将轨道模式控制柄（h）在四个模式0、1、2、3位置间移动。0位是直线锯切模式。

1、2、3位是轨道模式。控制柄从1到3变化时，锯切强度增加。3位时强度最大。

吹屑器 (图9)

吹屑器有助于清除锯切区域产生的锯屑。

注意：锯切金属时，请关闭吹屑器，避免吹掉锯片上的切削液。

要启动吹屑器，请把吹屑器控制拨杆 (i) 滑动到最顶部。

要关闭吹屑器，请把吹屑器控制拨杆滑动到最底部。

可拆卸式防划伤底脚垫 (图10)

锯切易划伤表面时，例如层压板、胶合板或油漆面等，应使用防划伤底脚垫 (j)。

要安装防划伤底脚垫，请将铝制底脚 (g) 的前部置于防划伤底脚垫 (j) 的前部内侧，然后放下曲线锯。底脚垫将咔嗒一声，牢牢卡到底脚的后部上。

要取下防划伤底脚垫，请从底部抓住底脚垫；抓牢两个后凸台 (m)，取下底脚垫。

防裂插件 (图11)

注意：防裂插件不可与齐边锯片同时使用。需要尽可能防止材料开裂时，特别是在锯割胶合板、层压板或抛光面时，例如油漆面等，可使用防裂插件 (n)。防裂插件应安装到防划伤底脚垫 (j) 上。如果不使用防划伤底脚垫，请把防裂插件安装到底脚 (g) 上。

使用前的准备工作

- 确保电池组已充 (满) 电。

操作步骤



警告：为了减少严重人身伤害的危险，调整或拆卸/安装附件或配件之前，请按下触发开关锁定按钮并断开电池组。意外启动容易导致人身伤害。



警告：务必正确佩戴听力保护装置。在某些条件下或某些使用期间，本工具可能损伤听力。

使用指南



警告：

- 请遵守安全说明及相关条例。
- 确保工件放置可靠。去除钉子、螺钉或其它可能损伤锯片的紧固件。
- 确保工件下面有锯片通过的足够空间。禁止切割超过锯片最大切割厚度的材料。
- 仅使用锋利的锯片。损坏或弯曲的锯片必须立刻更换。
- 禁止在没有锯片的情况下启动工具。
- 为了获得最佳效果，在工件表面连续平稳地移动工具。禁止对锯片施加侧向力。
- 必须等工具完全停止后，再从工件上取出锯片。切割后，锯片可能发烫，禁止触摸。

手握工具的正确位置 (图1, 14)



警告：为降低严重人身伤害风险，请务必采用图示的正确手位。



警告：为降低严重人身伤害风险，请务必紧握工具，预防突发反作用力。

正确的握持方式为一只手握住顶部把手 (q)，另一只手握住主把手 (p)。

扳手开关 (图1)

开启曲线锯请按下触发开关 (c)。

减速并停止曲线锯请释放触发开关。

调速功能 (图5)

按下触发开关的过程中，曲线锯的每分钟冲程数持续升高，但不会超过工具的最大速度。释放触发开关的过程中，锯片每分钟冲程数会降低。

未使用工具时，请务必按下工具的触发开关锁定按钮 (d)，以避免工具意外启动的风险。

锯割步骤



警告：切勿在拆下底脚的情况下使用曲线锯，否则会造成严重人身伤害。

挖锯（图12）

挖锯可以方便地进行内部锯割。本电锯可以直接插入板材，无须预先钻导向孔。挖锯时，请测量待锯表面，并用铅笔标示清楚。然后把工具前倾，直至底脚的前端紧靠在工件表面上，但锯片全冲程时不接触工件。启动工具，待其达到最大速度。紧握工具，降低工具后缘，直至锯片完全穿过材料。让底脚水平停在木材上，开始锯割。工具仍在运动时，切勿将锯片从锯缝中拔出。必须等锯片完全停止。

齐边锯（图13）

如果锯缝结束于墙面或后挡板等障碍物，需要进行齐边锯。实现齐边锯的最简单方法之一是使用齐边锯片(DT2074)。齐边锯片可达到曲线锯底脚的前缘。安装、使用齐边锯片前，请取下防裂插件，把底脚设定回0°正停位置。为获得最佳锯切质量，请采用0或1轨道模式使用齐边锯片。开始锯割时不可使用齐边锯片，因为使用齐边锯片时，底脚无法支撑到工件表面上。请参考下述木材锯切释例。

锯切木材步骤

任何条件下，均须充分固定工件。锯木材时请使用高速设定。切勿在锯片接触材料时启动工具，这会导致马达停转。锯割时，将底脚前部置于材料上，把曲线锯底脚顶紧木材。切勿对工具强行用力；让锯片在自有速度下工作。锯割结束时，关闭曲线锯；待锯片完全停止后，将曲线锯取下并放置一旁，然后再松开工件。

锯切金属步骤

锯割较薄的金属板材时，最好在薄板材底部夹上木板。这能够确保锯缝整齐、消除振动并防止撕裂金属板材。在锯切黑色金属（含铁量高的金属）时，请使用锯齿较细的锯片，而在锯割有色金属时（不含铁的金属），可采用锯齿较粗的锯片。锯割软金属（铝、铜、黄铜、低碳钢，镀锌管、薄钢板等）时，使用高速设定；锯割塑料、瓷砖、层压板、硬金属和铸铁时采用低速。

维护

您的得伟电动工具设计精良，可以长期使用，仅需要极少维护。要连续获得令人满意的工作效果，需要您进行正确的保养和定期的清洁。



警告：为降低严重的人身伤害风险，在进行任何调整或取出/安装附加装置或附件之前，请关闭工具电源和断开电池组连接。意外启动容易造成人身伤害。

本充电器不可检修。充电器内不含可检修的部件。



润滑剂

润滑导向滚轮（图6）

- 定期在导向滚轮 (i) 上滴一滴油，防止卡锯。



清洁



警告：一旦发现通风口及其周围积聚了尘屑，请用干燥的空气将灰尘和尘屑从主机外壳内吹出。进行此步骤时，请佩戴经认可的护目镜和面罩。



警告：切勿使用溶剂或其它刺激性化学品来清洁工具的非金属部件。这些化学品可能削弱零件中使用的材料。只能使用抹布蘸中性肥皂水进行清洁。勿使任何液体进入工具；勿使工具的任何部分浸入液体中。

充电器清洁说明



警告：触电危险。清洁之前将充电器从交流插座上断开。使用软布或非金属软刷，去除充电器外部的污垢和油脂。

可选附件



警告：由于非得伟供应的配件未经本产品匹配测试，将此类附件用于本工具可能造成伤害。为降低人身伤害风险，本产品只可使用得伟推荐的附件。

请向您的经销商咨询更多关于合适附件的信息。

这些包括：

- DE3241 平行导轨
- DE3242 杠规脚
- 581281-00 集尘口连接器
- 581239-01 集尘袋
- 402140-00 防裂插件
- 581268-00 防划伤底脚垫



充电式电池组

本电池组使用寿命长，不能提供顺利完成工作所需的电力时，必须进行充电。电池技术寿命结束时，请妥善处理以保护环境。

- 耗尽电池组的电力，然后从工具上拆下。
- 锂离子电池是可回收的。将它们送往您的经销商处或当地的回收站。回收的电池组将被妥善循环使用或处理。

保护环境



分类回收。本产品不得与普通家庭垃圾一起处理。

如果某一天您的得伟产品需要更换或不再使用，请不要把它和家庭垃圾一起处理。请单独对本产品进行分类回收。



旧产品和旧包装的分类回收可使回收材料得以再循环和再利用。再循环材料的重新利用有助于防止环境污染和减少原料需求。

城市垃圾站或您购买新产品的零售商会向您提供当地家用电器产品分类回收的有关规定。

一旦产品到达它们的工作寿命，得伟提供回收和再循环得伟产品的设施。如需利用此项服务，请将您的产品送交任何经授权的维修代理商，他们将代表我们回收这些产品。

您可通过联系本手册中所载的当地得伟办事处查询最靠近您的授权维修代理的位置。此外，您也可以通过网站获得授权的得伟维修代理列表以及我们售后服务与联络方式的全部详情，网站

地址：www.2helpU.com。

制造商：Stanley Black & Decker Deutschland GmbH

地址：Black & Decker Str.40 65510 Idstein, 德国

产地：捷克

