

# DEWALT®

# XR®

English (*original instructions*) 4

---

简体中文 9

---



Fig. A  
图A

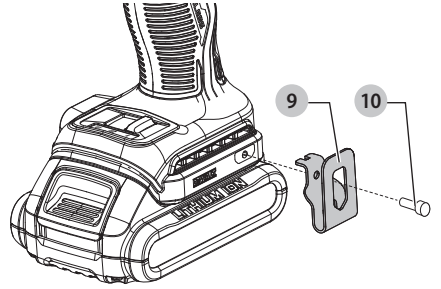
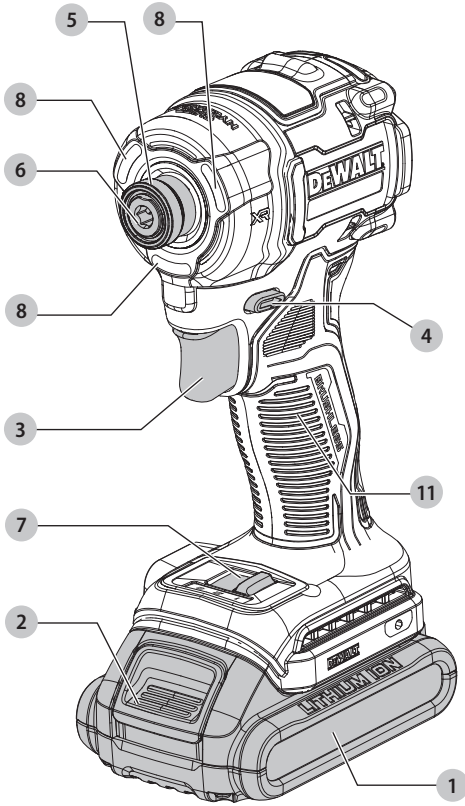


Fig. B  
图B

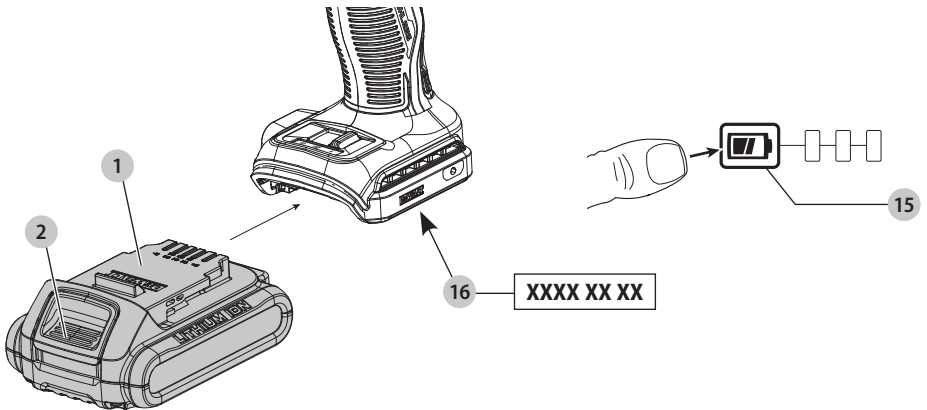


Fig. C  
图C

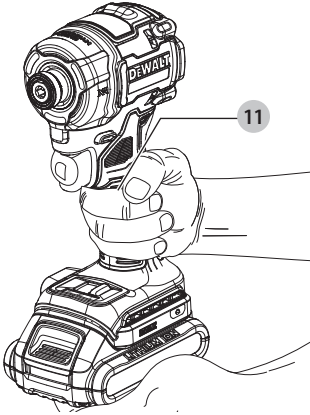


Fig. D  
图D

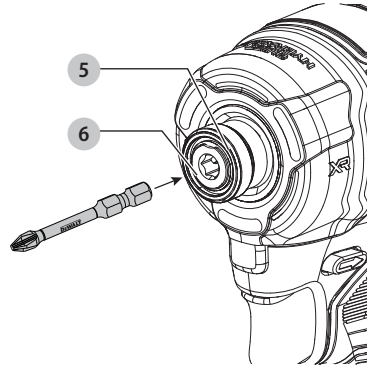


Fig. E  
图E

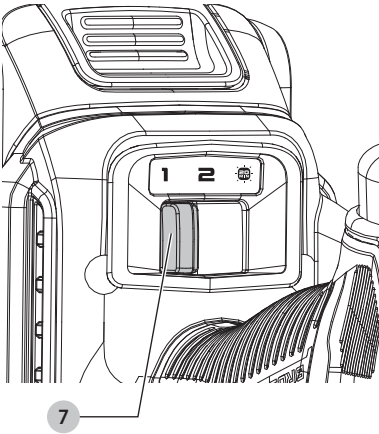
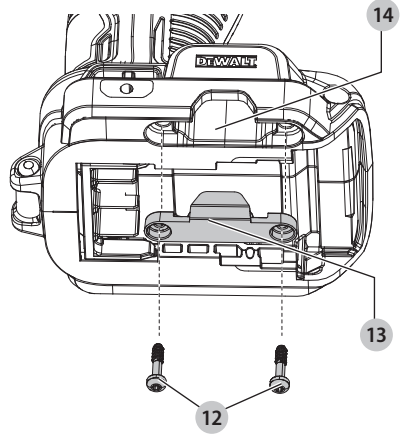



Fig. F  
图F




# 20V MAX XR HYDRAULIC IMPACT DRIVER

## DCF870

 **WARNING:** Read all safety warnings, instructions, illustrations, and specifications in this manual, including the battery and charger sections provided in an original tool manual or the separate Batteries and Chargers manual. Manuals can be obtained by contacting Customer Service (refer to the back page of this manual).




### Technical Data

		DCF870
Voltage	V <sub>DC</sub>	18(20 Max)
Battery type		Li-Ion
Power output	W	500
No load speed		
Mode 1	rpm	0–1100
Mode 2	rpm	0–3000
Mode 3 w/20 minute worklight	rpm	0–3000
Max torque	Nm	56
Tool holder	mm	6.35
Weight (without battery pack)	kg	1.0

 **WARNING:** To reduce the risk of injury, read the instruction manual.

### Definitions: Safety Guidelines

The definitions below describe the level of severity for each signal word. Please read the manual and pay attention to these symbols.

-  **DANGER:** Indicates an imminently hazardous situation which, if not avoided, **will** result in **death or serious injury**.
-  **WARNING:** Indicates a potentially hazardous situation which, if not avoided, **could** result in **death or serious injury**.
-  **CAUTION:** Indicates a potentially hazardous situation which, if not avoided, **may** result in **minor or moderate injury**.
- NOTICE:** Indicates a practice **not related to personal injury** which, if not avoided, **may** result in **property damage**.

 Denotes risk of electric shock.

 Denotes risk of fire.

### GENERAL POWER TOOL SAFETY WARNINGS

 **WARNING:** Read all safety warnings, instructions, illustrations and specifications provided with this power tool. Failure to follow all instructions listed below may result in electric shock, fire and/or serious injury.

#### SAVE ALL WARNINGS AND INSTRUCTIONS FOR FUTURE REFERENCE

The term “power tool” in the warnings refers to your mains-operated (corded) power tool or battery-operated (cordless) power tool.

#### 1) Work Area Safety

- a) **Keep work area clean and well lit.** Cluttered or dark areas invite accidents.
- b) **Do not operate power tools in explosive atmospheres, such as in the presence of flammable liquids, gases or dust.** Power tools create sparks which may ignite the dust or fumes.

c) **Keep children and bystanders away while operating a power tool.** Distractions can cause you to lose control.

#### 2) Electrical Safety

- a) **Power tool plugs must match the outlet. Never modify the plug in any way. Do not use any adapter plugs with earthed (grounded) power tools.** Unmodified plugs and matching outlets will reduce risk of electric shock.
- b) **Avoid body contact with earthed or grounded surfaces, such as pipes, radiators, ranges and refrigerators.** There is an increased risk of electric shock if your body is earthed or grounded.
- c) **Do not expose power tools to rain or wet conditions.** Water entering a power tool will increase the risk of electric shock.
- d) **Do not abuse the cord. Never use the cord for carrying, pulling or unplugging the power tool. Keep cord away from heat, oil, sharp edges or moving parts.** Damaged or entangled cords increase the risk of electric shock.
- e) **When operating a power tool outdoors, use an extension cord suitable for outdoor use.** Use of a cord suitable for outdoor use reduces the risk of electric shock.
- f) **If operating a power tool in a damp location is unavoidable, use a residual current device (RCD) protected supply.** Use of an RCD reduces the risk of electric shock.

#### 3) Personal Safety

- a) **Stay alert, watch what you are doing and use common sense when operating a power tool. Do not use a power tool while you are tired or under the influence of drugs, alcohol or medication.** A moment of inattention while operating power tools may result in serious personal injury.
- b) **Use personal protective equipment. Always wear eye protection.** Protective equipment such as a dust mask, non-skid safety shoes, hard hat or hearing protection used for appropriate conditions will reduce personal injuries.
- c) **Prevent unintentional starting. Ensure the switch is in the off position before connecting to power source and/or battery pack, picking up or carrying the tool.** Carrying power tools with your finger on the switch or energising power tools that have the switch on invites accidents.
- d) **Remove any adjusting key or wrench before turning the power tool on.** A wrench or a key left attached to a rotating part of the power tool may result in personal injury.
- e) **Do not overreach. Keep proper footing and balance at all times.** This enables better control of the power tool in unexpected situations.
- f) **Dress properly. Do not wear loose clothing or jewellery. Keep your hair and clothing away from moving parts.** Loose clothes, jewellery or long hair can be caught in moving parts.
- g) **If devices are provided for the connection of dust extraction and collection facilities, ensure these are connected and properly used.** Use of dust collection can reduce dust-related hazards.
- h) **Do not let familiarity gained from frequent use of tools allow you to become complacent and ignore tool safety**

**principles.** A careless action can cause severe injury within a fraction of a second.

#### 4) Power Tool Use and Care

- a) **Do not force the power tool. Use the correct power tool for your application.** The correct power tool will do the job better and safer at the rate for which it was designed.
- b) **Do not use the power tool if the switch does not turn it on and off.** Any power tool that cannot be controlled with the switch is dangerous and must be repaired.
- c) **Disconnect the plug from the power source and/or remove the battery pack, if detachable, from the power tool before making any adjustments, changing accessories, or storing power tools.** Such preventive safety measures reduce the risk of starting the power tool accidentally.
- d) **Store idle power tools out of the reach of children and do not allow persons unfamiliar with the power tool or these instructions to operate the power tool.** Power tools are dangerous in the hands of untrained users.
- e) **Maintain power tools and accessories. Check for misalignment or binding of moving parts, breakage of parts and any other condition that may affect the power tool's operation. If damaged, have the power tool repaired before use.** Many accidents are caused by poorly maintained power tools.
- f) **Keep cutting tools sharp and clean.** Properly maintained cutting tools with sharp cutting edges are less likely to bind and are easier to control.
- g) **Use the power tool, accessories and tool bits, etc. in accordance with these instructions, taking into account the working conditions and the work to be performed.** Use of the power tool for operations different from those intended could result in a hazardous situation.
- h) **Keep handles and grasping surfaces dry, clean and free from oil and grease.** Slippery handles and grasping surfaces do not allow for safe handling and control of the tool in unexpected situations.

#### 5) Battery Tool Use and Care

- a) **Recharge only with the charger specified by the manufacturer.** A charger that is suitable for one type of battery pack may create a risk of fire when used with another battery pack.
- b) **Use power tools only with specifically designated battery packs.** Use of any other battery packs may create a risk of injury and fire.
- c) **When battery pack is not in use, keep it away from other metal objects, like paper clips, coins, keys, nails, screws or other small metal objects, that can make a connection from one terminal to another.** Shorting the battery terminals together may cause burns or a fire.
- d) **Under abusive conditions, liquid may be ejected from the battery; avoid contact. If contact accidentally occurs, flush with water. If liquid contacts eyes, additionally seek medical help.** Liquid ejected from the battery may cause irritation or burns.
- e) **Do not use a battery pack or tool that is damaged or modified.** Damaged or modified batteries may exhibit unpredictable behaviour resulting in fire, explosion or risk of injury.

f) **Do not expose a battery pack or tool to fire or excessive temperature.** Exposure to fire or temperature above 130 °C may cause explosion.

g) **Follow all charging instructions and do not charge the battery pack or tool outside the temperature range specified in the instructions.** Charging improperly or at temperatures outside the specified range may damage the battery and increase the risk of fire.

#### 6) Service

- a) **Have your power tool serviced by a qualified repair person using only identical replacement parts.** This will ensure that the safety of the power tool is maintained.
- b) **Never service damaged battery packs.** Service of battery packs should only be performed by the manufacturer or authorised service providers.

#### Impact Wrench/Driver Safety Warnings-All Operations

- **Hold the power tool by insulated gripping surfaces when performing an operation where the fastener may contact hidden wiring.** Fasteners contacting a "live" wire may make exposed metal parts of the power tool "live" and could give the operator an electric shock.
- **Wear ear protectors during use.** Exposure to noise can cause hearing loss.
- ▲ **WARNING: Impact wrenches are not torque wrenches. DO NOT use this tool for tightening fasteners to specified torques.** An independent, calibrated torque measurement device such as a torque wrench should be used when under-tightened or overtightened fasteners can lead to the failure of the joint.
- **Use clamps or another practical way to secure and support the workpiece to a stable platform. Holding the work by hand or against your body leaves it unstable and may lead to loss of control.**
- **Wear safety goggles or other eye protection. Hammering and drilling operations cause chips to fly.** Flying particles can cause permanent eye damage.
- **Do not operate this tool for long periods of time. Vibration caused by tool action may be harmful to your hands and arms.** Use gloves to provide extra cushion and limit exposure by taking frequent rest periods.
- **Accessories and tools get hot during operation.** Wear gloves when touching them.

#### Residual Risks

In spite of the application of the relevant safety regulations and the implementation of safety devices, certain residual risks cannot be avoided. These are:

- Impairment of hearing.
- Risk of personal injury due to flying particles.
- Risk of burns due to accessories becoming hot during operation.
- Risk of personal injury due to prolonged use.

#### SAVE THESE INSTRUCTIONS

#### Battery Type

The following tools operate on an 18(20 Max) volt battery pack: DCF870

Refer to the **battery/charger manual** for more information.

## Package Contents

The package contains:

- 1 Impact driver
- 1 Charger (not included with N and NT versions)
- 1 Magnetic bit holder
- 1 Belt hook
- 1 Kitbox (included with T versions)
- 1 Tool Connect™ App instruction manual (B models)
- Li-Ion battery pack (not included with N and NT versions)
- 1 Instruction manual

**NOTE:** Battery packs, chargers and kitboxes are not included with N models. Battery packs and chargers are not included with NT models. B models include Bluetooth® battery packs.

**NOTE:** The Bluetooth® word mark and logos are registered trademarks owned by the Bluetooth®, SIG, Inc. and any use of such marks by DEWALT is under license. Other trademarks and trade names are those of their respective owners.

- Check for damage to the tool, parts or accessories which may have occurred during transport.
- Take the time to thoroughly read and understand this manual prior to operation.

## Markings on Tool

The following pictograms are shown on the tool:



Read instruction manual before use.



Visible radiation. Do not stare into light.

## Date Code Position (Fig. B)

The production date code **16** consists of a 4-digit year followed by a 2-digit week and is extended by a 2-digit factory code.

## Description (Fig. A)

**▲ WARNING:** Never modify the power tool or any part of it. Damage or personal injury could result.

- 1 Battery pack
- 2 Battery pack release button
- 3 Variable speed trigger
- 4 Forward/reverse control button
- 5 Chuck collar
- 6 1/4" (6.35 mm) hex quick-release chuck
- 7 Speed selector
- 8 Worklight
- 9 Belt hook
- 10 Mounting screw
- 11 Main handle

## Intended Use

This impact driver is designed for professional impact screwdriving applications. The impact function makes this tool particularly useful for driving fasteners in wood, and metal.

**DO NOT** use under wet conditions or in the presence of flammable liquids or gases.

This impact driver is a professional power tool.

**DO NOT** let children come into contact with the tool. Supervision is required when inexperienced operators use this tool.

- **Young children and the infirm.** This appliance is not intended for use by young children or infirm persons without supervision.
- This product is not intended for use by persons (including children) suffering from diminished physical, sensory or mental abilities; lack of experience, knowledge or skills unless they are supervised by a person responsible for their safety. Children should never be left alone with this product.

## ASSEMBLY AND ADJUSTMENTS

**▲ WARNING:** To reduce the risk of serious personal injury, turn tool off and disconnect battery pack before making any adjustments or removing/installing attachments or accessories. An accidental start-up can cause injury.

**▲ WARNING:** Use only DEWALT batteries and chargers.

## Inserting and Removing the Battery Pack from the Tool (Fig. B)

**NOTE:** Make sure your battery pack **1** is fully charged.

### To Install the Battery Pack into the Tool Handle

1. Align the battery pack with the rails inside the tool's handle (Fig. B).
2. Slide it into the handle until the battery pack is firmly seated in the tool and ensure that you hear the lock snap into place.

### To Remove the Battery Pack from the Tool

1. Press the battery release button **2** and firmly pull the battery pack out of the tool handle.
2. Insert battery pack into the charger.

## Fuel Gauge Battery Packs (Fig. B)

Some DEWALT battery packs include a fuel gauge, which consists of three green LED lights that indicate the level of charge remaining in the battery pack.

To actuate the fuel gauge, press and hold the fuel gauge button **15**. A combination of the three green LED lights will illuminate, designating the level of charge left. When the level of charge in the battery is below the usable limit, the fuel gauge will not illuminate and the battery will need to be recharged.

**NOTE:** The fuel gauge is only an indication of the charge left on the battery pack. It does not indicate tool functionality and is subject to variation based on product components, temperature and end-user application.

## Quick-Release Chuck (Fig. A, D)

**▲ WARNING:** Use only impact accessories. Non-impact accessories may break and cause a hazardous condition. Inspect accessory prior to use to ensure that it contains no cracks.

**NOTE:** The quick-release chuck **6** accepts 1/4" hex accessories.

Place the forward/reverse control button **4** in the lock-off (center) position and remove battery pack **1** before changing accessories.

**To install an accessory,** fully insert the accessory. The accessory is locked into place (Fig. D).

**To remove an accessory,** pull the chuck collar **5** away from the front of the tool. Remove the accessory (Fig. D).

## OPERATION

### Instructions for Use

**▲ WARNING:** Always observe the safety instructions and applicable regulations.

**▲ WARNING:** To reduce the risk of serious personal injury, turn tool off and disconnect battery pack before making

**any adjustments or removing/installing attachments or accessories.** An accidental start-up can cause injury.

### Proper Hand Position (Fig. C)

**▲ WARNING:** To reduce the risk of serious personal injury, **ALWAYS** use proper hand position as shown.

**▲ WARNING:** To reduce the risk of serious personal injury, **ALWAYS** hold securely in anticipation of a sudden reaction. Proper hand position requires one hand on the main handle **11**.

### Variable Speed Trigger and Forward/Reverse Control Button (Fig. A)

The tool is turned on and off by pulling and releasing the variable speed trigger **3**. The farther the variable speed trigger is depressed, the higher the speed of the tool. Your tool is equipped with a brake. The chuck will stop as soon as the variable trigger is fully released.

A forward/reverse control button **4** determines the rotational direction of the tool and also serves as a lock-off button.

- To select forward rotation (clockwise), release the variable speed trigger and depress the forward/reverse control button on the right side of the tool.

- To select reverse (counterclockwise), depress the forward/reverse control button on the left side of the tool.

**NOTE:** The center position of the forward/reverse control button locks the tool in the off position. When changing the position of the control button, be sure the trigger is released.

**NOTE:** Continuous use in variable speed range is not recommended. It may damage the switch and should be avoided.

**NOTE:** The first time the tool is run after changing the direction of rotation, you may hear a click on start-up. This is normal and does not indicate a problem.

### Speed Selector (Fig. A, E)

**NOTE:** Do not change speeds when the tool is running. Always allow the tool to come to a complete stop before changing speed.

Your tool is equipped with a speed selector **7** which allows you to select one of two speeds for greater versatility. Select the speed based on the maximum speed/torque needed and control the speed of the tool using the variable speed trigger **3**.

#### Specifications

Mode	Application	RPM
Mode 1	Low speed	0-1100 forward
		0-1100 reverse
Mode 2	High speed	0-3000 forward
		0-3000 reverse
Mode 3 (20 Minute Worklight mode) Refer to <b>Worklights</b> section.	High speed	0-3000 forward 0-3000 reverse

1. To select Mode 1 (low speed setting), turn the tool off and permit it to stop. Slide the speed selector **7** to the far left (with front of tool facing away).
2. To select Mode 2 (high speed setting), turn the tool off and permit it to stop. Slide the speed selector **7** to the center position.
3. To select Mode 3 (20 minute worklight mode) (high speed setting), turn the tool off and permit it to stop. Slide the speed selector **7** to the far right (with front of tool facing away).

**NOTE:** Mode 3 (20 minute worklight mode) provides the same application and RPM speed as Mode 2.

If the tool does not change speeds, confirm that the speed selection switch is completely engaged in the forward or back position.

### Worklights (Fig. A)

**▲ CAUTION: Do not stare into worklight.** Serious eye injury could result.

There are three worklights **8** located around the chuck collar **5**. The worklights are activated when the variable speed trigger **3** is depressed. In low speed mode when the variable speed trigger is released, the worklight will stay illuminated for up to 20 seconds. If the variable speed trigger switch remains depressed, the worklights will remain on.

### 20 Minute Worklight Mode

Mode 3 will activate the tool's worklights. The worklights will run for 20 minutes after the variable speed trigger is released.

**▲ WARNING: While using the tool in worklight mode, do not stare at the lights or place the drill in a position which may cause anyone to stare into the worklights.** Serious eye injury could result.

**▲ CAUTION:** When using the tool with the worklights, be sure it is secured on a stable surface where it will not cause a tripping or falling hazard.

**▲ CAUTION:** Remove all accessories from the chuck before using the drill in worklight mode. Personal injury or property damage could result.

### Usage (Fig. A)

**▲ CAUTION:** Ensure fastener and/or system will withstand the level of torque generated by the tool. Excessive torque may cause breakage and possible personal injury.

1. Place the accessory on the fastener head. Keep the tool pointed straight at the fastener.
2. Press variable speed trigger **3** to start operation. Release variable speed trigger to stop operation.

Always check torque with a torque wrench, as the fastening torque is affected by many factors including the following:

- **Voltage:** Low voltage, due to a nearly discharged battery, will reduce fastening torque.
- **Accessory size:** Failure to use the correct accessory size will cause a reduction in fastening torque.
- **Bolt size:** Larger bolt diameters generally require higher fastening torque. Fastening torque will also vary according to length, grade, and torque coefficient.
- **Bolt:** Ensure that all threads are free of rust and other debris to allow proper fastening torque.
- **Material:** The type of material and surface finish of the material will affect fastening torque.
- **Fastening time:** Longer fastening time results in increased fastening torque. Using a longer fastening time than recommended could cause the fasteners to be overstressed, stripped or damaged.

### Tool Connect™ Chip (Fig. A, F)

**▲ WARNING:** To reduce the risk of injury, remove battery pack **1** before any Tool Connect™ interaction.

Your tool is Tool Connect™ Chip ready and has a location for installation of a Tool Connect™ Chip.

Tool Connect™ Chip is an optional application for your smart device (such as a smart phone or tablet) that connects the device to utilize the mobile application for inventory management functions.

Refer to **Tool Connect™ Chip Instruction Sheet** for more information.

### Installing the Tool Connect™ Chip

1. Remove the retaining screws **12** that hold the Tool Connect™ Chip protective cover **13** into the tool.
2. Remove the protective cover and insert the Tool Connect™ Chip into the empty pocket **14**.
3. Ensure that the Tool Connect™ Chip is flush with the housing. Secure it with the retaining screws and tighten the screws.
4. Refer to **Tool Connect™ Chip Instruction Sheet** for further instructions.

### MAINTENANCE

Your power tool has been designed to operate over a long period of time with a minimum of maintenance. Continuous satisfactory operation depends upon proper tool care and regular cleaning.

**▲ WARNING: To reduce the risk of serious personal injury, turn tool off and disconnect battery pack before making any adjustments or removing/installing attachments or accessories.** An accidental start-up can cause injury. The charger and battery pack are not serviceable.

### Lubrication

Your power tool requires no additional lubrication.

### Cleaning

**▲ WARNING: Electrical shock and mechanical hazard.** Disconnect the electrical appliance from the power source before cleaning.

**▲ WARNING: To ensure safe and efficient operation, always keep the electrical appliance and the ventilation slots clean.**

**▲ WARNING: Never use solvents or other harsh chemicals for cleaning the non-metallic parts of the tool. These chemicals may weaken the materials used in these parts. Use a cloth dampened only with water and mild soap. Never let any liquid get inside the tool; never immerse any part of the tool into a liquid.**

Ventilation slots can be cleaned using a dry, soft non-metallic brush and/or a suitable vacuum cleaner. Do not use water or any cleaning solutions. Wear approved eye protection and an approved dust mask.

### Optional Accessories

**▲ WARNING: Since accessories, other than those offered by DEWALT, have not been tested with this product, use of such accessories with this tool could be hazardous. To reduce the risk of injury, only DEWALT recommended accessories should be used with this product.**

Consult your dealer for further information on the appropriate accessories.

### Impact Accessories

**▲ WARNING: Use only impact accessories. Non-impact accessories may break and cause a hazardous condition. Inspect accessories prior to use to ensure that they contain no cracks.**

### Belt Hook (Fig. A)

**▲ WARNING: Drop Hazard. To reduce the risk of serious personal injury, DO NOT use the belt hook for tethering or securing the tool to a person or object during use when elevated.**

**▲ WARNING: To reduce the risk of serious personal injury, DO NOT suspend tool overhead or suspend objects from the belt hook. ONLY hang tool's belt hook from a work belt.**

**▲ WARNING: To reduce the risk of serious personal injury, ensure the screw holding the belt hook is secure.**

**NOTE: Bit clip and belt hook cannot be used with the lanyard-ready attachment kit installed.**

**IMPORTANT:** When attaching or replacing the belt hook, use only the screw **10** that is provided. Be sure to securely tighten the screw. The belt hook **9** can be attached to either side of the tool using only the screw **10** provided, to accommodate left- or right-handed users. If the hook is not desired at all, it can be removed from the tool.

To move belt hook, remove the screw that holds the belt hook in place then reassemble on the opposite side. Be sure to securely tighten the screw.

### Protecting the Environment



Separate collection. Products and batteries marked with this symbol must not be disposed of with normal household waste.

Products and batteries contain materials that can be recovered or recycled, reducing the demand for raw materials. Please recycle electrical products and batteries according to local provisions. Further information is available at [www.2helpU.com](http://www.2helpU.com).

### Rechargeable Battery Pack

This long-life battery pack must be recharged when it fails to produce sufficient power on jobs that were easily done before. At the end of its technical life, discard it with due care for our environment:

- Run the battery pack down completely, then remove it from the tool.
- Li-Ion cells are recyclable. Take them to your dealer or a local recycling station. The collected battery packs will be recycled or disposed of properly.


### After Service and Repair

DEWALT service centers are staffed with trained personnel to provide customers with efficient and reliable product service. We do not take any responsibility when you have repaired in unauthorized service center. You can refer to the leaflet of CONTACT CENTER LOCATOR in product package and contact us through hotline, website or social media to find the nearest DEWALT service center around you.



# 锂电无刷油压冲击起子

## DCF870

 **警告:** 请阅读本手册中的所有安全警告、说明、插图和规格, 包括原始工具手册或单独的电池和充电器手册中的电池和充电器部分内容。如需手册, 请联系客户服务部(参见本手册背面)。

### 技术数据

DCF870		
电压	V <sub>dc</sub>	18 (最大20)
电池包类型		锂离子
输出功率	W	500
空载转速		
模式1	rpm	0-1100
模式2	rpm	0-3000
模式3, 20分钟工作灯模式	rpm	0-3000
最大扭矩	Nm	56
夹头尺寸	mm	6.35
重量(不含电池包)	kg	1.0

 **警告:** 为降低伤害风险, 请阅读使用手册。

### 定义: 安全指南

下列定义描述了各标志术语的严重程度。请仔细阅读本手册, 并注意这些标志。

**▲ 危险:** 表示存在紧急危险情况, 如果不加以避免, 将导致死亡或重伤。

**▲ 警告:** 表示存在潜在的危险情况, 如果不加以避免, 可能导致死亡或严重伤害。

**▲ 小心:** 表示存在潜在危险情况, 如果不加以避免, 可能导致轻度或中度伤害。

**注意:** 表示存在不涉及人身伤害的情况, 如果不加以避免, 可能导致财产损失。

**▲** 表示存在触电风险。

**▲** 表示存在火灾风险。

### 电动工具通用安全警告

**▲ 警告:** 阅读随电动工具提供的所有安全警告、说明、图示和规定。不遵照以下所列说明会导致电击、着火和/或严重伤害。

#### 保存所有警告和说明书以备查阅。

警告中的术语“电动工具”指市电驱动(有线)电动工具或电池驱动(无线)电动工具。

#### 1) 工作场地的安全

a) 保持工作场地清洁和明亮。杂乱和黑暗的场地会引发事故。

b) 不要在易爆环境, 如有易燃液体、气体或粉尘的环境下操作电动工具。电动工具产生的火花会点燃粉尘或气体。

c) 操作电动工具时, 远离儿童和旁观者。注意力不集中会使你失去对工具的控制。

#### 2) 电气安全

a) 电动工具插头必须与插座相配。绝不能以任何方式改装插头。需接地的电动工具不能使用任何转换插头。未经改装的插头和相配的插座将降低电击风险。

b) 避免人体接触接地表面, 如管道、散热片和冰箱。如果你身体接触接地表面会增加电击风险。

c) 不得将电动工具暴露在雨中或潮湿环境中。水进入电动工具将增加电击风险。

d) 不得滥用电源线。绝不能用电源线搬运、拉动电动工具或拔出其插头。使电源线远离热源、油、锐边或运动部件。受损或缠绕的电源线会增加电击风险。

e) 当在户外使用电动工具时, 使用适合户外使用的延长线。适合户外使用的电线将降低电击风险。

f) 如果无法避免在潮湿环境中操作电动工具, 应使用带有剩余电流装置(RCD)保护的电源。RCD的使用可降低电击风险。

#### 3) 人身安全

a) 保持警觉, 当操作电动工具时关注所从事的操作并保持清醒。当你感到疲倦, 或在有药物、酒精或治疗反应时, 不要操作电动工具。在操作电动工具时瞬间的疏忽会导致严重人身伤害。

b) 使用个人防护设备。始终佩戴护目镜。诸如适当条件下使用防尘面具、防滑安全鞋、安全帽、听力防护等装置能减少人身伤害。

c) 防止意外起动。在连接电源和/或电池包、拿起或搬运工具前, 应确保开关处于关断位置。手指放在开关上搬运工具或开关处于接通时通电会导致危险。

d) 在电动工具接通之前, 拿掉所有调节钥匙或扳手。遗留在电动工具旋转零件上的扳手或钥匙会导致人身伤害。

e) 请勿过分伸展。时刻注意立足点和身体平衡。这样能在意外情况下能更好地控制住电动工具。

f) 着装适当。不要穿宽松衣服或佩戴饰品。让你的头发和衣服远离运动部件。宽松衣服、配饰或长发可能会卷入运动部件。

g) 如果提供了与排屑、集尘设备连接用的装置, 要确保其连接完好且使用得当。使用集尘装置可降低尘屑引起的危险。

h) 不要因为频繁使用工具而产生的熟悉感而掉以轻心, 忽视工具的安全准则。某个粗心的动作可能在瞬间导致严重的伤害。

#### 4) 电动工具使用和注意事项

a) 切勿强制使用电动工具。根据用途使用合适的电动工具。选用合适的按照额定值设计的电动工具会使你工作更有效、更安全。

b) 如果开关不能接通或关断电源, 则不能使用该电动工具。不能通过开关来控制的电动工具是危险的且必须进行修理。

c) 在进行任何调节、更换附件或贮存电动工具之前，必须从电源上拔掉插头和/或卸下电池包（如可拆卸）。这种防护性的安全措施降低了电动工具意外起动的风险。

d) 将闲置不用的电动工具存放在儿童所及范围之外，并且不允许不熟悉电动工具和不了解这些说明的人操作电动工具。电动工具在未经培训的使用者手中是危险的。

e) 维护电动工具及其附件。检查运动部件是否调整到位或卡住，检查零件破损情况和影响电动工具运行的其他状况。如有损坏，应在使用前修理好电动工具。许多事故是由维护不良的电动工具引发的。

f) 保持切削刀具锋利和清洁。维护良好地有锋利切削刃的刀具不易卡住而且容易控制。

g) 按照使用说明书，并考虑作业条件和要进行的作业来选择电动工具、附件和工具的刀头等。将电动工具用于那些与其用途不符的操作可能会导致危险情况。

h) 保持手柄和握持表面干燥、清洁，不得沾有油脂。在意外的情况下，湿滑的手柄不能保证握持的安全和对工具的控制。

### 5) 电池式工具使用和注意事项

a) 仅使用生产者规定的充电器充电。将适用于某种电池包的充电器用到其他电池包时可能会发生着火危险。

b) 仅使用配有专用电池包的电动工具。使用其他电池包可能会产生伤害和着火危险。

c) 当电池包不用时，将它远离其他金属物体，例如回形针、硬币、钥匙、钉子、螺钉或其他小金属物体，以防电池包一端与另一端连接。电池包端部短路会引起燃烧或着火。

d) 在滥用条件下，液体可能会从电池包中溅出，应避免接触。如果意外碰到液体，用水冲洗。如果液体碰到了眼睛，还应寻求医疗帮助。从电池中溅出的液体可能会发生腐蚀或燃烧。

e) 不要使用损坏或改装过的电池包或工具。损坏或改装过的电池包可能呈现无法预测的结果，导致着火、爆炸或伤害。

f) 不要将电池包暴露于火或高温中。电池包暴露于火或高于130°C的高温中可能会发生爆炸。

g) 请遵循所有充电说明，请勿在说明中规定的温度范围以外的环境对电池包或工具充电。不当或在指定范围以外的温度下充电，可能导致电池损坏并增加火灾风险。

### 6) 维修

a) 让专业维修人员使用相同的备件维修电动工具。这将保证所维修的电动工具的安全。

b) 切勿维修损坏的电池包。电池包仅能由生产者或其授权的维修服务商进行维修。

### 冲击扳手/起子机安全警告 - 所有操作

• 在紧固件可能触及暗线进行操作时，要通过绝缘握持面来握持工具。紧固件碰到带电导线会使工具外露的金属零件带电从而使操作者受到电击。

• 使用期间，请佩戴听力保护器。暴露在噪音中会导致听力丧失。

▲ 警告：冲击扳手不是扭矩扳手。请勿使用该工具将紧固件拧紧到规定的扭矩。紧固件未完全拧紧或过度拧紧会导致接头损坏时，应使用独立、经过校准的扭矩测量设备（如扭矩扳手）。

• 使用夹具或其他切实可行的方法，将工件固定并支撑在稳定的平台上。用手扶住或用身体顶住工件会使其不稳定，可能导致失控。

• 戴上安全护目镜或其他护眼装置。锤击和钻孔操作会导致碎屑飞溅。飞溅的颗粒会对眼睛造成永久性伤害。

• 请勿长时间操作本工具。由工具动作引起的振动可能对您的手和胳膊造成伤害。佩戴手套来增加缓冲，并不时休息，以减少遭受的振动量。

• 配件和工具在操作过程中会变热。接触时请戴上手套。

### 剩余风险

尽管遵守了相关的安全法规并采用了安全装备，某些剩余风险仍然是无法避免的。这些风险包括：

- 听力损伤。
- 飞溅颗粒造成的人身伤害风险。
- 使用时配件发热导致的灼伤风险。
- 长时间使用引起的人身伤害风险。

### 请妥善保管好这些说明

### 电池包类型

以下工具使用18（最大20）伏特的电池包：DCF870

有关详细信息，请参阅电池/充电器手册。

### 包装内的物品

包装中包含：

- 1个 冲击起子机
- 1个 充电器（不包括N和NT版本）
- 1个 磁性钻头座
- 1个 皮带钩
- 1个 工具箱（包括T版本）
- 1本 Tool Connect™ App使用手册（B型）  
锂离子电池组（N和NT版本中不含）
- 1本 使用手册

注意：电池包、充电器和工具箱没有随N型号附送。电池包和充电器没有随NT型号附送。B型号包括Bluetooth® 电池包。

注意：Bluetooth® 标志和徽标是Bluetooth®、SIG, Inc.的注册商标，DeWALT对这些标识的任何使用均经过许可。其他商标和商标名均归各自所有者所有。

- 检查工具、部件或配件是否在运输过程中损坏。
- 操作前，请抽空仔细阅读并掌握本手册。

### 工具上的标记

工具上印有下列图形：



使用前请阅读使用手册。



可见辐射。请勿盯着光看。

## 日期代码位置(图B)

生产日期代码 **16** 由4位数的年和2位数的周组成,后跟2位数的工厂代码。

## 说明(图A)

**▲ 警告:**不得改装本电动工具或其任何部件,否则可能会导致损坏或人身伤害。

- 1 电池包
- 2 电池包释放按钮
- 3 无级变速开关
- 4 正向/反向控制按钮
- 5 夹头环
- 6 1/4" (6.35 mm) 六角快速释放夹头
- 7 速度选择器
- 8 工作灯
- 9 皮带钩
- 10 安装螺钉
- 11 主手柄

## 设计用途

这款冲击起子机旨在用于专业的冲击拧螺丝应用。由于具备冲击功能,该工具尤其适用于紧固木材和金属中的紧固件。

请勿在潮湿环境中,或在存在易燃液体或气体的环境中使用本工具。

这款冲击起子机是一款专业电动工具。

请勿让儿童接触本工具。缺乏经验的操作员需要在监督下使用本工具。

· **儿童和体弱者。**在没有他人监督的情况下,儿童或体弱者不适宜使用本产品。

· 本产品不适合体力、感官或智力不足以及缺乏经验、知识或技能的人员(包括儿童)使用,除非一旁有能为他们的安全负责的监督人员。不得在无人监管的情况下让儿童接触本产品。

## 组装与调整

**▲ 警告:**为降低严重的人身伤害风险,在进行任何调整或取出/安装附件或配件之前,请关闭工具并断开电池包连接。意外启动工具可能会造成伤害。

**▲ 警告:**仅使用DEWALT电池和充电器。

## 插入或取出工具上的电池包(图B)

**注意:**确保您的电池包 **1** 已经充满电。

### 要将电池包安装到工具手柄中

1. 将电池包对准工具手柄内的轨道(图B)。
2. 将电池包滑入手柄内,使其牢牢地固定在工具内,并确保您听到其锁定到位的声音。

### 从工具中取出电池包

1. 按下电池释放按钮 **2**,将电池包从工具握柄中稳妥地拉出。
2. 将电池包插入充电器。

## 电量计电池组(图B)

一些DEWALT电池包带有一个包含三个绿色LED指示灯的电量计,用于指示电池包内的剩余电量。

按下电量计按钮 **15** 不松开,即可启动电量计。三个绿色LED指示灯将以组合方式亮起,以指示剩余电量。当电池内的电量低于可用限制时,电量计将不会亮起,电池将需要重新充电。

**注意:**电量计仅指示电池包的剩余电量。它并不表示该工具的功能,且将根据产品组件、温度和最终使用者的使用情况而有所不同。

## 快速释放夹头(图A、D)

**▲ 警告:**仅可使用冲击配件。非冲击性配件可能发生破裂并导致危险情况。使用前应检查配件,确保其没有裂缝。

**注意:**快速释放夹头 **6** 可安装1/4英寸六角配件。更换附件前,请将前进/后退控制按钮 **4** 放置在锁定(中间)位置,并卸下电池包 **1**。

**要安装附件,**请将附件完全插入。附件已锁定到位(图D)。

**要卸下附件,**将夹头环 **5** 从工具前部拉开。取下附件(图D)。

## 操作

### 使用说明

**▲ 警告:**务必遵守安全指示和适用法规。

**▲ 警告:**为降低严重的人身伤害风险,在进行任何调整或取出/安装附件或配件之前,请关闭工具并断开电池包连接。意外启动可能会导致人身伤害。

### 正确的手部位置(图C)

**▲ 警告:**为了降低严重人身伤害的风险,请务必如图示那样正确放置双手。

**▲ 警告:**为了降低造成严重人身伤害的风险,预期有突然反作用力时**务必**握紧。

手部正确的位置是一只手放在主手柄上 **11**。

### 无级变速开关和正向/反向控制按钮(图A)

通过拉动和松开无级变速开关 **3**,开启和关闭工具。无级变速开关压得越远,工具的转速就越高。您的工具配备了制动器。完全松开无级变速开关后,夹头就会停止。

正向/反向控制按钮 **4** 可决定工具的旋转方向,同时也是锁闭按钮。

· 要选择正向旋转(顺时针),释放无级变速开关并按下工具右侧的正向/反向控制按钮。

· 要选择反向旋转(逆时针),请按下工具左侧的正向/反向控制按钮。

**注意:**正向/反向控制按钮的中心位置将工具锁定在关闭位置。改变控制按钮的位置时,请确保开关已释放。

**注意:**不建议在变速范围内连续使用。可能会损坏开关,应予以避免。

**注意:**改变旋转方向后第一次运行工具时,您可能会听到启动时的咔哒声。这是正常现象,并不表示存在任何问题。

### 速度选择器(图A、E)

**注意:**在工具运行时,不要更改转速。更改转速之前,一定要让工具完全停下来。

您的工具配备了速度选择器 **7**，您可使用它选择两种速度中的一种，以应对更多场景。根据所需的最大速度/扭矩选择速度，并使用无级变速开关 **3** 控制工具的速度。

规格		
模式	应用	RPM
模式1	低速	0-1100正向
		0-1100反向
模式2	高速	0-3000正向
		0-3000反向
模式3 (20分钟工作灯模式)	高速	0-3000正向
请参阅 <b>工作灯</b> 部分。		0-3000反向

1. 要选择模式1 (低速设置)，请关闭工具并让其停止。将速度选择器 **7** 滑向最左侧 (工具正面朝外)。
2. 要选择速度2 (高速设置)，请关闭工具并让其停止。将速度选择器 **7** 滑到中间位置。
3. 要选择模式3 (20分钟工作灯模式) (高速设置)，请关闭工具并让其停止。将速度选择器 **7** 滑向最右侧 (工具正面朝外)。

**注意:** 模式3 (20分钟工作灯模式) 提供与模式2相同的应用和转速。

如果工具没有更改转速，请确认速度选择开关完全处于向前或向后的位置。

## 工作灯 (图A)

**▲ 小心: 请勿盯着工作灯看。** 直视可能会导致视力严重受损。

夹头环 **5** 周围有三个工作灯 **8**。按下无级变速开关 **3** 时，工作灯将被激活。在低速模式下，当松开无级变速开关时，工作灯持续照明可达20秒。如果按住无级变速开关，工作灯会保持亮起。

### 20分钟工作灯模式

模式3将激活工具的工作灯。松开无级变速开关后，工作灯将持续工作20分钟。

**▲ 警告: 在工作灯模式下使用工具时，请勿盯着灯光看，也不要将电钻放在可能导致他人盯着工作灯看的位置。** 直视可能会导致视力严重受损。

**▲ 小心: 将该工具用作工作灯时，应确保将其固定在稳定的表面上，以免造成绊倒或坠落的危险。**

**▲ 小心: 在工作灯模式下使用电钻之前，请从夹头上取下所有附件。否则可能造成人身伤害或财产损失。**

## 使用方法 (图A)

**▲ 小心: 确保紧固件和/或系统将承受工具所产生的扭矩水平。扭矩过大可导致断裂，并可能造成人身伤害。**

1. 将配件置于紧固件的头部。使工具直接指向紧固件。
2. 按下无级变速开关 **3** 开始运行。松开无级变速开关停止运行。

务必用扭矩扳手检查扭矩，因为紧固扭矩受到很多因素的影响，包括：

- **电压:** 电池几乎放完电后的低电压会降低紧固扭矩。
- **配件尺寸:** 如果未能使用正确的配件尺寸，将导致紧固扭矩降低。

- **螺栓尺寸:** 较大的螺栓直径通常需要较大的紧固扭矩。紧固扭矩也将根据长度、等级和扭矩系数而变化。

- **螺栓:** 确保所有螺纹没有生锈和其他杂物，能实现适当的紧固扭矩。

- **材料:** 材料的类型和材料的表面处理将影响紧固扭矩。

- **紧固时间:** 较长的紧固时间会导致紧固扭矩增加。紧固时间大于建议值可能导致紧固件受力过大、剥离或受损。

## Tool Connect™ 芯片 (图A、F)

**▲ 警告: 为降低受伤风险，在进行任何Tool Connect™ 互动之前，请卸下电池包 **1**。**

您的工具已经装有 Tool Connect™ 芯片，同时也预留了安装 Tool Connect™ 芯片的位置。

在您的智能设备 (例如智能手机或平板电脑) 中，Tool Connect™ 芯片是可选应用，能够连接设备，使用移动应用，实现库存管理的功能。

请参见 **Tool Connect™ 芯片说明书**，获取更多信息。

### 安装 Tool Connect™ 芯片

1. 拆除用于将 Tool Connect™ 芯片保护盖 **13** 安装到工具上的固定螺钉 **12**。
2. 拆除保护盖，将 Tool Connect™ 芯片插入空槽 **14** 中。
3. 请确保 Tool Connect™ 芯片与外壳齐平。用固定螺钉来固定保护盖，并拧紧螺钉。
4. 请参见 **Tool Connect™ 芯片说明书**，获取更多指导。

## 维护

您的电动工具设计精良，可以长期使用，仅需极少维护。若要持续令人满意的工效效果，则需对工具进行适当的保养和定期清洁。

**▲ 警告: 为降低严重的人身伤害风险，在进行任何调整或取出/安装附件或配件之前，请关闭工具并断开电池包连接。** 意外启动工具可能会造成伤害。充电器和电池包无法维修。

## 润滑

本电动工具无需另行润滑。

## 清洁

**▲ 警告: 电击和机械危险。** 清洁前，请将电器与电源断开。

**▲ 警告: 为确保操作安全、有效，请注意清洁电器和通风槽。**

**▲ 警告: 不得使用溶剂或其它刺激性化学制品来清洁工具的非金属部件。这些化学物质可能会削弱这些部位使用的材料。请用布蘸温和的肥皂水擦拭。不得让任何液体渗入工具，不得让工具的任何部件浸在液体中。通风槽可以用干燥、柔软的非金属刷和/或合适的除尘器进行清洁。请勿使用水或任何清洁剂。请戴上合格的护目镜和防尘面具。**

## 可选配件

**▲ 警告: 由于除 DEWALT 提供的配件外，其他配件没有经过本产品的测试，因此将这些配件与本工具一起使用可能会有危险。为了减少受伤的风险，本产品仅可使用 DEWALT 推荐的配件。**

请向您的经销商咨询更多关于合适配件的信息。

## 冲击附件

**▲ 警告:** 仅可使用冲击配件。非冲击性配件可能发生破裂并导致危险情况。使用前应检查配件, 确保其没有裂缝。

## 皮带钩(图A)

**▲ 警告:** 跌落危险。为降低严重人身伤害的风险, 在使用过程中, 请勿用皮带挂钩将工具拴住或固定在人或物体上。

**▲ 警告:** 为了减少造成严重人身伤害的风险, 请勿用皮带钩将工具悬挂在头顶或用皮带钩悬挂物体。只能将工具的皮带钩挂在工作皮带上。

**▲ 警告:** 为了减少人身伤害的风险, 请确保固定皮带钩的螺钉紧固。

**注意:** 安装了可挂绳连接套件后, 不能使用刀头夹和皮带钩。

**重要事项:** 在固定或更换皮带钩时, 仅可使用随附的螺钉 **10**。一定要牢固地拧紧螺钉。为了适应惯用左手的用户, 用提供的螺钉 **10** 可将皮带钩 **9** 固定在工具的任何一侧。如果完全不需要皮带钩, 可将其从工具上取下。若要移动皮带钩, 请拆下固定其的螺钉, 然后在另一侧重新安装。一定要牢固地拧紧螺钉。

## 保护环境



分类回收。由此符号标记的产品和电池包不得与普通家庭垃圾一起处理。

产品和电池包包含可恢复或回收的材料, 从而降低对原材料的需求。请根据当地规定回收电子产品和电池包。要获得更多信息, 请参看 [www.2helpU.com](http://www.2helpU.com)。

## 充电式电池包

本电池包使用寿命长, 不能提供顺利完成工作所需的电力时, 必须进行充电。电池包技术寿命结束时, 请妥善处理以保护环境:

- 耗尽电池包的电力, 然后将其从工具上拆下。
- 锂离子电池是可回收的。请将它们送往您的经销商处或当地的回收站。回收的电池包将被妥善循环使用或处理。

## 售后服务和维修

DeWALT 维修中心拥有经过培训的人员, 能够为顾客提供高效、可靠的产品服务。如果您通过未获授权的维修中心进行维修, 我们不会承担任何责任。您可以参见产品包装中的“联系中心定位器”宣传单页, 通过热线电话、网站或社交媒体联系我们, 找到距离您最近的 DeWALT 服务中心。

**制 造 商:** 百得德国公司

**地 址:** Black & Decker Str. 40,65110 Idstein, 德国

**产 地:** 江苏苏州

## 产品中有害物质的名称及含量

部件名称	有害物质					
	铅 (Pb)	汞 (Hg)	镉 (Cd)	六价铬 (Cr(VI))	多溴联苯 (PBB)	多溴二苯醚 (PBDE)
马达组件	O	O	O	O	O	O
机壳组件	O	O	O	O	O	O
控制部件 (开关, PCB等)	X	O	O	O	O	O
传动部件	O	O	O	O	O	O
电池包	X	O	O	O	O	O
充电器	X	O	O	O	O	O
附件 (钻头/砂轮片等)	O	O	O	O	O	O
电线组件	X	O	O	O	O	O

本表格依据SJ/T 11364的规定编制。  
O: 标识该有害物质在该部位所有均质材料中的含量均在GB/T 26572规定的限量要求以下。  
X: 标识该有害物质至少在该部位的某一均质材料中的含量超出GB/T 26572规定的限量要求  
备注: 本产品不必包含以上所述的所有部件。由于生产工艺和技术的不可替代性, 本产品中含有某些有害物质, 在环保使用期限内可以放心使用, 超过环保使用期限之后则应进入回收循环系统。

环保使用期限为“电子电气产品中含有的有害物质不会发生外泄或突变, 电子电气产品用户正常使用该电子电气产品不会对环境造成严重污染或对其人身、财产造成严重损害的期限”。



环保使用期限为20年。此环保使用期限不代表产品的安全使用期限和质量保证年限。



