
DEWALT®

www.DEWALT.com

DCF060

FIG. 1

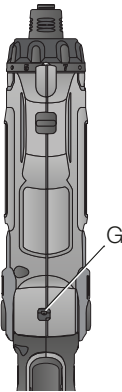


FIG. 2

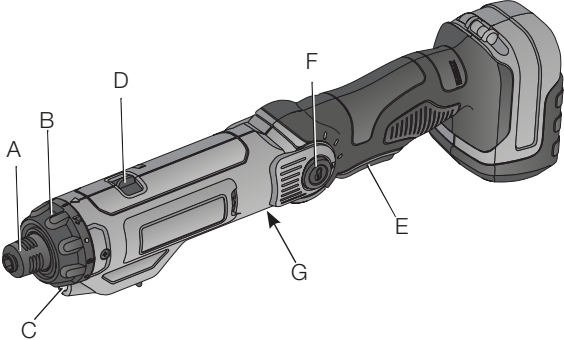


FIG. 3

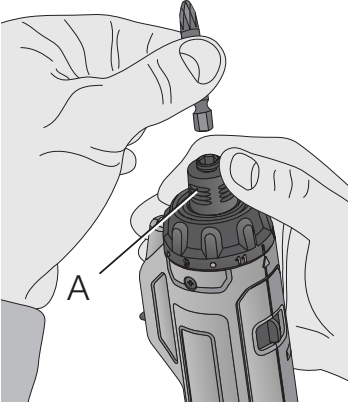


FIG. 4

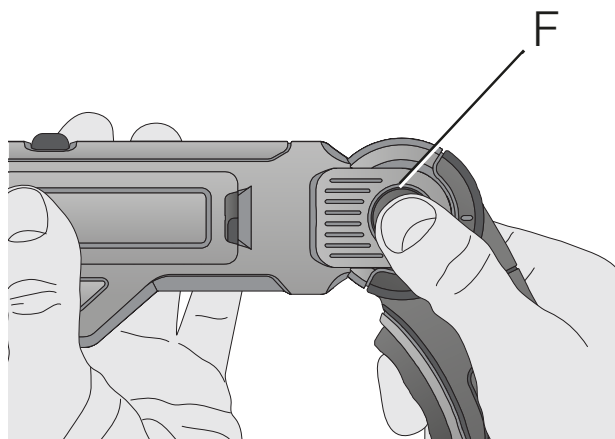
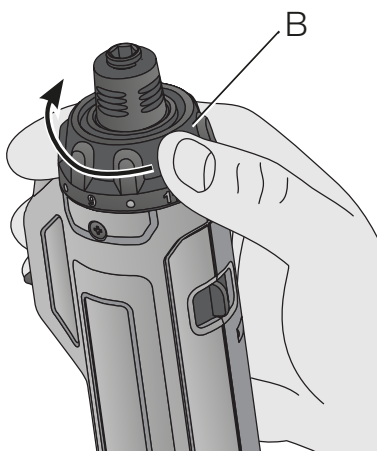


FIG. 5



CORDLESS SCREWDRIVER DCF060

Congratulations!

You have chosen a DEWALT tool. Years of experience, thorough product development and innovation make DEWALT one of the most reliable partners for professional power tool users.

Technical Data

		DCF060
Voltage	V_{DC}	6
Type		2
No-load speed	min^{-1}	180/600
Max. torque (Low speed)	Nm	7.5
Max. torque (High speed)	Nm	6.0
Tool holder	mm	6.35 hex
Battery capacity	Ni-Cd	1.0Ah
Weight	kg	0.8
Charger		90605144
Mains voltage	V_{AC}	220-240
Weight	kg	0.16

Definitions: Safety Guidelines

The definitions below describe the level of severity for each signal word. Please read the manual and pay attention to these symbols.



DANGER: Indicates an imminently hazardous situation which, if not avoided, **will** result in **death or serious injury**.



WARNING: Indicates a potentially hazardous situation which, if not avoided, **could** result in **death or serious injury**.



CAUTION: Indicates a potentially hazardous situation which, if not avoided, **may** result in **minor or moderate injury**.

NOTICE: Indicates a practice **not related to personal injury** which, if not avoided, **may** result in **property damage**.



Denotes risk of electric shock.



Denotes risk of fire.



WARNING: To reduce the risk of injury, read the instruction manual.

General Power Tool Safety Warnings



WARNING! Read all safety warnings and all instructions. Failure to follow the warnings and instructions may result in electric shock, fire and/or serious injury.

SAVE ALL WARNINGS AND INSTRUCTIONS FOR FUTURE REFERENCE

The term “power tool” in the warnings refers to your mains-operated (corded) power tool or battery-operated (cordless) power tool.

1) WORK AREA SAFETY

- Keep work area clean and well lit.** Cluttered or dark areas invite accidents.
- Do not operate power tools in explosive atmospheres, such as in the presence of flammable liquids, gases or dust.** Power tools create sparks which may ignite the dust or fumes.
- Keep children and bystanders away while operating a power tool.** Distractions can cause you to lose control.

2) ELECTRICAL SAFETY

- Power tool plugs must match the outlet. Never modify the plug in any way. Do not use any adapter plugs with earthed (grounded) power tools.** Unmodified plugs and matching outlets will reduce risk of electric shock.
- avoid body contact with earthed or grounded surfaces such as pipes, radiators, ranges and refrigerators.** There is an increased risk of electric shock if your body is earthed or grounded.
- Do not expose power tools to rain or wet conditions.** Water entering a power tool will increase the risk of electric shock.
- Do not abuse the cord. Never use the cord for carrying, pulling or unplugging the power tool. Keep cord away from heat, oil, sharp edges or moving parts.** Damaged or entangled cords increase the risk of electric shock.
- When operating a power tool outdoors, use an extension cord suitable for outdoor use.** Use of a cord suitable for outdoor use reduces the risk of electric shock.

- f) *If operating a power tool in a damp location is unavoidable, use a residual current device (RCD) protected supply. Use of an RCD reduces the risk of electric shock.*
- 3) PERSONAL SAFETY**
- a) *Stay alert, watch what you are doing and use common sense when operating a power tool. Do not use a power tool while you are tired or under the influence of drugs, alcohol or medication. A moment of inattention while operating power tools may result in serious personal injury.*
- b) *Use personal protective equipment. Always wear eye protection. Protective equipment such as dust mask, non-skid safety shoes, hard hat, or hearing protection used for appropriate conditions will reduce personal injuries.*
- c) *Prevent unintentional starting. Ensure the switch is in the off-position before connecting to power source and/or battery pack, picking up or carrying the tool. Carrying power tools with your finger on the switch or energising power tools that have the switch on invites accidents.*
- d) *Remove any adjusting key or wrench before turning the power tool on. A wrench or a key left attached to a rotating part of the power tool may result in personal injury.*
- e) *Do not overreach. Keep proper footing and balance at all times. This enables better control of the power tool in unexpected situations.*
- f) *Dress properly. Do not wear loose clothing or jewellery. Keep your hair, clothing and gloves away from moving parts. Loose clothes, jewellery or long hair can be caught in moving parts.*
- g) *If devices are provided for the connection of dust extraction and collection facilities, ensure these are connected and properly used. Use of dust collection can reduce dust-related hazards.*
- 4) POWER TOOL USE AND CARE**
- a) *Do not force the power tool. Use the correct power tool for your application. The correct power tool will do the job better and safer at the rate for which it was designed.*
- b) *Do not use the power tool if the switch does not turn it on and off. Any power tool that cannot be controlled with the switch is dangerous and must be repaired.*
- c) *Disconnect the plug from the power source and/or the battery pack from the power tool before making any adjustments, changing accessories, or storing power tools. Such preventive safety measures reduce the risk of starting the power tool accidentally.*
- d) *Store idle power tools out of the reach of children and do not allow persons unfamiliar with the power tool or these instructions to operate the power tool. Power tools are dangerous in the hands of untrained users.*
- e) *Maintain power tools. Check for misalignment or binding of moving parts, breakage of parts and any other condition that may affect the power tool's operation. If damaged, have the power tool repaired before use. Many accidents are caused by poorly maintained power tools.*
- f) *Keep cutting tools sharp and clean. Properly maintained cutting tools with sharp cutting edges are less likely to bind and are easier to control.*
- g) *Use the power tool, accessories and tool bits etc. in accordance with these instructions, taking into account the working conditions and the work to be performed. Use of the power tool for operations different from those intended could result in a hazardous situation.*
- 5) SERVICE**
- a) *Have your power tool serviced by a qualified repair person using only identical replacement parts. This will ensure that the safety of the power tool is maintained.*

Additional Specific Safety Rules

- **Hold power tool by insulated gripping surfaces, when performing an operation where the fastener may contact hidden wiring.**
Fasteners contacting a "live" wire may make exposed metal parts of the power tool "live" and could give the operator an electric shock.
- **Wear ear protectors with screwdrivers.**
Exposure to noise can cause hearing loss.
- **The device is not intended for use by persons (including children) with reduced physical, sensory or mental capabilities, or lack of experience or knowledge, unless they are supervised or instructed in its use by a person responsible for their safety.**
- **Children must be monitored to ensure they do not play with the appliance.**



CAUTION: INDOOR USE ONLY.

The label on your tool may include the following symbols. The symbols and their definitions are as follows:

- V.....volts
- A.....amperes
- Hz.....hertz
- W.....watts
- minminutes
- ~ or AC.....alternating current
- or DCdirect current
- ⓁClass I Construction (grounded)
- Ⓜ or AC/DC...alternating or direct current
-Class II Construction (double insulated)
- n₀.....no load speed
- .../min revolutions per minute
- BPM beats per minute
- nrated speed
- IPM.....impacts per minute
- SPM strokes per minute
- Ⓧearthing terminal
- sfpn..... surface feet per minute
- ▲safety alert symbol

Safety Warnings and Instructions:

Charging

SAVE THESE INSTRUCTIONS:

This manual contains important safety and operating instructions for battery chargers.

- *Before using the charger, read all instructions and cautionary markings on the charger and product using the battery.*



CAUTION: To reduce the risk of injury, use charger only with this product. Batteries in other products may burst causing personal injury or damage.

- **Use only the supplied charger when charging your tool.** The use of any other charger could damage the drill or create a hazardous condition.
- **Do not expose the charger to rain or snow.**
- **Pull by the plug rather than the cord when disconnecting the charger.** This will reduce the risk of damage to the electric plug and cord.
- **Make sure that the cord is located so that it will not be stepped on, tripped over or otherwise subjected to damage or stress.**
- **Do not use an extension cord unless it is absolutely necessary.** Use of improper extension cord could result in risk of fire, electric shock or electrocution.
- **When operating a charger outdoors, always provide a dry location and use an extension cord suitable for outdoor use.** Use of a cord suitable for outdoor use reduces the risk of electric shock.
- **An extension cord must have adequate wire size for safety.** An undersized cord will cause a drop in line voltage resulting in loss of power and overheating. When using more than one extension to make up the total length, be sure each individual extension
- **Do not operate the charger with a damaged cord or plug.**

- **Do not disassemble the charger; take it to an authorized service center when service or repair is required.** There are no customer serviceable parts inside.
- **Disconnect the charger from the outlet before attempting any cleaning.** This will reduce the risk of electric shock. Removing the batteries will not reduce this risk..
- **Use only one charger when charging.**
- **The charger is designed to operate on standard household electrical power. Do not attempt to use it on any other voltage.** This does not apply to the vehicular charger.
- **DO NOT incinerate the tool or batteries even if they are severely damaged or completely worn out.** The batteries can explode in a fire.
- **Do not incinerate the batteries.** They can explode in a fire. A small leakage of liquid from the battery cells may occur under extreme usage, charging or temperature conditions. This does not indicate a failure. However, if the outer seal is broken and this leakage gets on your skin:
 - a. Wash quickly with soap and water.
 - b. Neutralize with a mild acid such as lemon juice or vinegar.
 - c. If the battery liquid gets in your eyes, flush them with clean water for a minimum of 10 minutes and seek immediate medical attention.

MEDICAL NOTE: The liquid is a 25-35% solution of potassium hydroxide.

Package Contents

The package contains:

- 1 Cordless Screwdriver
- 1 Charger
- 1 Kitbox
- 1 Instruction manual
- Check for damage to the tool, parts or accessories which may have occurred during transport.
- Take the time to thoroughly read and understand this manual prior to operation.

Charging Procedure (Fig. 1)



WARNING: The batteries in your tool are not fully charged at the factory. Before attempting to charge them, thoroughly read all of the safety instructions.



WARNING: When disconnecting the tool from the charger, be sure to unplug the charger from the outlet first then disconnect the charger cord from the tool. Do not use the tool while it is connected to the charger. To charge your screwdriver, follow the steps below.

1. Plug the output cord of the charger into the socket (G) in the bottom half of the screwdriver handle as shown in Figure 1.
2. Plug the charger into an appropriate outlet.
3. Let the tool charge initially for **9 hours**. After the initial charge, under normal usage, your tool should be fully charged in **3 to 6 hours**.

Important Charging Notes

1. After normal usage, your tool should be fully charged in 3 to 6 hours. If the batteries are run down completely, it may take up to 6 hours to become fully charged. Your tool was sent from the factory in an uncharged condition. Before attempting to use it, it must be charged for at least 9 hours.
2. DO NOT charge the batteries in an air temperature below 40 °F(4.5 °C), or above 105 °F (40.5°C). This is important and will prevent serious damage to the batteries. Longest life and best performance can be obtained if the batteries are charged when the air temperature is 75 °F (24 °C).
3. The charger may hum and become warm to the touch while charging. This is a normal condition, and does not indicate a problem.
4. If the battery pack does not charge properly:
 - a. Check operation of receptacle by plugging in a lamp or other appliance;

- b. Check to see if receptacle is connected to a light switch which turns power off when you turn out the lights;
 - c. Move the charger and tool to a location where the surrounding air temperature is approximately 40 °F – 105 °F (4.5° – 4.5 °C)
 - d. If charging problems persist, take the tool and charger to your local service center.
5. The tool should be recharged when it fails to produce sufficient power on jobs which were easily done previously. **DO NOT CONTINUE** using product with its batteries in a depleted condition.
6. To prolong battery life, avoid leaving on charge for extended periods of time (over 30 days without use). Although overcharging is not a safety concern, it can significantly reduce overall battery life.
7. The batteries will reach optimum performance after being cycled 5 times during normal usage. There is no need to run the batteries down completely before recharging. Normal usage is the best method of discharging and recharging the batteries.

Safety Warnings and Instructions:

Drilling



WARNING: Tool may stall (if overloaded or improperly used) causing a twist. Always expect the stall. Grip the drill firmly to control the twisting action and prevent loss of control which could cause personal injury. If a stall does occur, release the trigger immediately and determine the reason for the stall before restarting.

- **Hold tool firmly to control its twisting action.**

Description (FIG. 2)



WARNING: Never modify the power tool or any part of it. Damage or personal injury could result.

- A. Quick release collar
- B. Torque control collar
- C. LED Light
- D. Two speed switch
- E. Forward / reverse switch
- F. Release button
- G. Charging port

OPERATION



WARNING: Always observe the safety instructions and applicable regulations.

Inserting an Accessory (Fig. 2, 3)

1. Hold the screwdriver upright as shown in Figure 3 and pull down on the quick release collar (A).
2. Insert a hex shank accessory into the holder.
3. Release the quick release collar.

NOTE: If bit does not fit into spindle, rotate the bit and reinsert it.

Removing an Accessory (Fig. 2, 3)

1. Hold the screwdriver upright as shown in Figure 3 and pull down on the quick release collar (A).
2. Pull accessory straight out.

Switch (Fig. 2)

To turn the tool ON in a forward direction, press the top section of the rocker switch (E) and the tool will run. Release pressure from the switch and the tool will stop.

To operate in reverse, press the bottom section of the rocker switch. Without depressing the rocker switch the tool is locked and will act as any conventional, non-powered screwdriver.

Angling the Screwdriver (Fig. 2, 4)



WARNING:

- To avoid being pinched, hold the screwdriver as shown in Figure 4 when changing positions.
- Do not use screwdriver as a pry bar in any position.
- To avoid screwdriver being turned on accidentally, do not carry in your pocket.

To convert the tool to an angled screwdriver, push in on the release button (F) shown in Figure 4 and rotate the top portion of the tool until it locks into one of the remaining two positions.

Torque Control (Fig. 2, 5)

The torque adjustment collar (B) is marked with numbers and a drill bit icon. There are 22 clutch settings in all. Each click in a clockwise direction means an increase in the torque produced.

To set the torque align the desired setting with the arrow on the tool housing. The higher the number on the collar, the higher the torque.

To lock the clutch for heavy fastening operations, move to the drill bit icon.

If you do not know the appropriate setting to use when tightening a screw, begin at the lowest torque setting. If the clutch ratchets before the desired result is achieved, increase the collar setting and continue tightening the screw. Repeat until you reach the correct setting. button (F) shown in Figure 4 and rotate the top portion of the tool until

Two Speed Operation (Fig. 2)

The dual range feature of your screwdriver allows you to shift gears for greater versatility. To select low speed, (high torque setting), turn tool off and permit to stop. Push the slide switch (D) located on the top of the tool to the left. Use low speed for screwdriving operations. To select the high speed, (low torque setting), turn tool off and permit to

stop. Slide gear shifter fully to the right. Use high speed for drilling operations.

LED Light (Fig. 2)

To turn the light (C) on, push the slide switch located on the underside of the screwdriver toward the front of the tool.

Drilling

WARNING: *It is important to support work properly and to hold the drill firmly to prevent loss of control which could cause personal injury. If you have questions on how to operate tool, contact an authorized service center or other qualified service personnel.*



- Use sharp drill bits only.
- Support and secure work properly, as instructed in the safety instructions.
- Use appropriate and required safety equipment, as instructed in the safety instructions.
- Secure and maintain work area, as instructed in the safety instructions.
- Run the drill very slowly, using light pressure, until the hole is started enough to keep the drill bit from slipping out of it.
- Apply pressure in a straight line with the bit. Use enough pressure to keep the bit biting but not so much as to stall the motor or deflect the bit.
- Hold the tool firmly with two hands to control its twisting action.
- DO NOT CLICK THE TRIGGER OF A STALLED DRILL OFF AND ON IN AN ATTEMPT TO START IT. DAMAGE TO THE DRILL CAN RESULT.
- Minimize stalling on breakthrough by reducing pressure and slowly drilling through last part of hole.
- Keep the motor running while pulling the bit out of a drilled hole. This will help reduce jamming.
- **Make sure switch turns drill on and off.**

Drilling In Wood

Holes in wood can be made with the same twist drill bits used for metal. These bits should be sharp and should be pulled out frequently when drilling to clear chips from the flutes.

NOTE: This tool is not recommended for drilling in metal or masonry.

MAINTENANCE

Your DWALT power tool has been designed to operate over a long period of time with a minimum of maintenance. Continuous satisfactory operation depends upon proper tool care and regular cleaning.



WARNING: To reduce the risk of serious personal injury, turn tool off before making any adjustments or removing/installing attachments or accessories. An accidental start-up can cause injury.

This machine is not user-serviceable. Take the tool to an authorised repair agent after approximately 40 hours of use. If problems occur before this time contact an authorised repair agent.

The charger and battery pack are not serviceable. There are no serviceable parts inside.



Lubrication

Your power tool requires no additional lubrication.



Cleaning



WARNING: Blow dirt and dust out of the main housing with dry air as often as dirt is seen collecting in and around the air vents. Wear approved eye protection and approved dust mask when performing this procedure.



WARNING: Never use solvents or other harsh chemicals for cleaning the non-metallic parts of the tool. These chemicals may weaken the materials used in these parts. Use a cloth dampened only with water and mild soap. Never let any liquid get inside the tool; never immerse any part of the tool into a liquid.

CHARGER CLEANING INSTRUCTIONS



WARNING: Shock hazard. Disconnect the charger from the AC outlet before cleaning. Dirt and grease may be removed from the exterior of the charger using a cloth or soft non-metallic brush. Do not use water or any cleaning solutions.

Optional Accessories



WARNING: Since accessories, other than those offered by DeWALT, have not been tested with this product, use of such accessories with this tool could be hazardous. To reduce the risk of injury, only DeWALT recommended accessories should be used with this product.

Various types of SDS Plus® drill bits and chisels are available as an option.

Accessories and attachments used must be regularly lubricated around the SDS Plus® fitment.

Consult your dealer for further information on the appropriate accessories.

Protecting the Environment



Separate collection. This product must not be disposed of with normal household waste.

Should you find one day that your DeWALT product needs replacement, or if it is of no further use to you, do not dispose of it with household waste. Make this product available for separate collection.



Separate collection of used products and packaging allows materials to be recycled and used again. Re-use of recycled materials helps prevent environmental pollution and reduces the demand for raw materials.

Local regulations may provide for separate collection of electrical products from the household, at municipal waste sites or by the retailer when you purchase a new product.

DeWALT provides a facility for the collection and recycling of DeWALT products once they have reached the end of their working life. To take advantage of this service please return your product to any authorised repair agent who will collect them on our behalf.

You can check the location of your nearest authorised repair agent by contacting your local DEWALT office at the address indicated in this manual. Alternatively, a list of authorised DEWALT repair agents and full details of our after-sales service and contacts are available on the Internet at: www.2helpU.com.



Rechargeable Battery Pack

This long life battery pack must be recharged when it fails to produce sufficient power on jobs which were easily done before. At the end of its technical life, discard it with due care for our environment:

- Run the battery pack down completely, then remove it from the tool.
- Ni-Cd cells are recyclable. Take them to your dealer or a local recycling station. The collected battery packs will be recycled or disposed of properly.

充电式螺丝起子

DCF060

祝贺您！

您已选择了得伟工具。凭借多年的经验和在产品开发与创新方面的不断努力，得伟已经成为专业电动工具用户的最可靠伙伴之一。

技术参数

		DCF060
电压	伏特（直流）	6
类型		2
空载转速	转/分	180/600
最大扭矩（低速）	牛米	7.5
最大扭矩（高速）	牛米	6.0
工具夹持器	毫米	6.35 六角
电池容量	镍镉电池	1.0Ah
重量	千克	0.8
充电器		
电源电压	伏特（交流）	220
重量	千克	0.16

定义：安全守则

下列定义描述了各标志术语的严重程度。请仔细阅读本手册，并注意这些标志。



危险：表示紧急的危险情形，如不加以避免，**将导致死亡或严重伤害。**



警告：表示潜在的危险情形，如不加以避免，**可能导致死亡或严重伤害。**



警告：表示潜在的危险情形，如不加以避免，**可能导致轻度或中度伤害。**

注意：表示存在不涉及人身伤害的情况，如果不加以避免，**可能导致财产损失。**



表示存在触电风险。



表示存在火灾风险。



警告：为降低伤害风险，请阅读使用手册。

电动工具通用安全警告



警告！阅读所有警告和所有说明。不遵照以下警告和说明会导致电击、着火和/或严重伤害。

保存所有警告和说明书以备查阅。

在所有下列的警告中术语“电动工具”指市电驱动（有线）电动工具或电池驱动（无线）电动工具。

a) 工作场地的安全

- 1) **保持工作场地清洁和明亮。**混乱和黑暗的场地会引发事故。
- 2) **不要在易爆环境，如有易燃液体、气体或粉尘的环境下操作电动工具。**电动工具产生的火花会点燃粉尘或气体。
- 3) **让儿童和旁观者离开后操作电动工具。**注意力不集中会使你失去对工具的控制

b) 电气安全

- 1) **电动工具插头必须与插座相配。**绝不能以任何方式改装插头。需接地的电动工具不能使用任何转换插头。未经改装的插头和相配的插座将减少电击危险。
- 2) **避免人体接触接地表面，如管道、散热片和冰箱。**如果你身体接地会增加电击危险。
- 3) **不得将电动工具暴露在雨中或潮湿环境中。**水进入电动工具将增加电击危险。
- 4) **不得滥用电线。绝不能用电线搬运、拉动电动工具或拔出其插头。使电线远离热源、油、锐边或运动部件。**受损或缠绕的软线会增加电击危险。

- 5) 当在户外使用电动工具时，使用适合户外使用的外接软线。适合户外使用的软线将减少电击危险。
 - 6) 如果在潮湿环境下操作电动工具是不可避免的，应使用剩余电流动作保护器（RCD）。使用RCD可减少电击危险。
- 3) 在进行任何调节、更换附件或贮存电动工具之前，必须从电源上拔掉插头和 / 或使电池盒与工具脱开。这种防护性措施将减少工具意外起动的危险。
 - 4) 将闲置不用的电动工具贮存在儿童所及范围之外，并且不要让不熟悉电动工具或对这些说明不了解的人操作电动工具。电动工具在未经培训的用户手中是危险的。

c) 人身安全

- 1) 保持警觉，当操作电动工具时关注所从事的操作并保持清醒。当你感到疲倦，或在有药物、酒精或治疗反应时，不要操作电动工具。在操作电动工具时瞬间的疏忽会导致严重人身伤害。
- 2) 使用个人防护装置。始终佩戴护目镜。安全装置，诸如适当条件下使用防尘面具、防滑安全鞋、安全帽、听力防护等装置能减少人身伤害。
- 3) 防止意外起动。确保开关在连接电源和/或电池盒、拿起或搬运工具时处于关断位置。手指放在已接通电源的开关上或开关处于接通时插入插头可能会导致危险。
- 4) 在电动工具接通之前，拿掉所有调节钥匙或扳手。遗留在电动工具旋转零件上的扳手或钥匙会导致人身伤害。
- 5) 手不要伸展得太长。时刻注意立足点和身体平衡。这样在意外情况下能很好地控制电动工具。
- 6) 着装适当。不要穿宽松衣服或佩戴饰品。让你的衣服、手套和头发远离运动部件。宽松衣服、佩饰或长发可能会卷入运动部件中。
- 7) 如果提供了与排屑、集尘设备连接用的装置，要确保他们连接完好且使用得当。使用这些装置可减少尘屑引起的危险。

d) 电动工具使用和注意事项

- 1) 不要滥用电动工具，根据用途使用适当的电动工具。选用适当设计的电动工具会使你工作更有效、更安全。
- 2) 如果开关不能接通或关断工具电源，则不能使用该电动工具。不能用开关来控制的电动工具是危险的且必须进行修理。

e) 电池式工具使用和注意事项：

- 1) 只用制造商规定的充电器充电。将适用于某种电池盒的充电器用到其他电池盒时会发生着火危险。
- 2) 只有在配有专用电池盒的情况下才使用电动工具。使用其他电池盒会发生损坏和着火危险。
- 3) 当电池组不用时，将它远离其他金属物体，例如回形针、硬币、钥匙、钉子、螺钉或其他小金属物体，以防一端与另一端连接。电池端部短路会引起燃烧或火灾。
- 4) 在滥用条件下，液体会从电池中溅出，避免接触。如果意外碰到了，用水冲洗。如果液体碰到了眼睛，还要寻求医疗帮助。从电池中溅出的液体会发生腐蚀或燃烧。

f) 维修

- 1) 让专业维修人员使用相同的备件维修电动工具。这将保证所维修的电动工具的安全。

附加安全细则

- 在紧固件可能触及暗线进行操作时，要通过绝缘握持面来握持工具。紧固件碰到带电导线会使工具外露的金属零件带电从而使操作者受到电击。
- 使用螺丝起子时请佩戴听力保护器。噪音会损伤听力。
- 本设备不适合体力、感觉或智力不足，或者缺乏经验及知识的人员（包括小孩）使用，除非他们的安全责任人员为他们提供监督或指导。
- 必须监督小孩，确保他们没有耍玩设备。



警告： 仅供室内使用。

您的工具上可能包含下列符号。这些符号和定义如下所示：

V	伏特
A	安培
Hz	赫兹
W	瓦特
min	分钟
~ 或 AC	交流
— 或 DC	直流
Ⓛ	I 级结构（接地）
≈ 或 AC/DC	交流或直流
□	II 级结构（双重绝缘）
n ₀	空载转速
.../min	转/分
BPM	每分钟冲击数
n	额定转速
IPM	每分钟冲击数
SPM	每分钟冲程数

⊕	接地端子
sfp _m	每分钟表面切割长度
▲	安全警告标识

安全警告和说明：充电中 请妥善保管好这些说明：

本手册包含重要的电池充电器安全和操作说明。

- 使用充电器之前，请阅读充电器及使用电池的电子产品上的所有指示和警示标识。



警告： 为降低人身伤害风险，充电器仅可与本产品配合使用。电池若在其他产品中使用可能会引起爆裂，并导致人身伤害和损害。

- 请在为工具充电时仅使用随附的充电器。使用任何其它充电器会损坏电钻或导致危险。
- 请勿将充电器暴露于雨中或雪中。
- 断开充电器连接时，应拔下插头，切勿拉拽电源线。这将降低对电插头和电源的损害风险。
- 确保电线布置在不易踩踏、踢绊或会受到损害或压力的位置。
- 除非绝对必要，否则请勿使用延长线。使用不正确的延长电源线可能导致火灾、触电或电击的风险。
- 户外操作充电器时，要保持干燥，使用适合户外使用的延长电线。采用适合户外使用的电线可降低触电风险。
- 延长线的尺寸必须适合以确保安全。延长线的尺寸过小会引起线路电压下降，从而导致功率损失和过热。使用两段以上延长线以达到总长度时，确保每一段延长线
- 请勿使用电源线或插头已损坏的充电器。
- 禁止拆卸充电器，请将需要检修或修理的充电器送到授权的服务中心。充电器或电钻内没有客户可以维修的零件。

- **清洁前，请先断开充电器和插座的连接，以降低触电风险。** 取出电池不会降低触电风险。
- 请在充电时仅使用一个充电器。
- **充电器额定电压是标准家用电压。** 请勿试图在任何其他电压下使用充电器。此规则不适用于车载充电器。
- **即使工具或电池严重受损或完全磨损，也不要焚烧它们。** 电池会在火中爆炸。
- **切勿焚烧电池。** 电池会在火中爆炸。在极端使用、充电或温度条件下，电池可能会出现少量渗漏液体。这并不表示出现问题。但是，如果外层密封件破损并且泄漏的液体沾到您皮肤上：
 - a. 赶快用肥皂和水清洗。
 - b. 使用温和的酸性物质将它中和，例如柠檬汁或醋。
 - c. 如果电池液沾到眼睛里，应用清水冲洗眼睛至少 10 分钟并立即寻求医疗帮助。

医疗注释： 该液体是 25-35% 的氢氧化钾溶液。

包装内的物品

本产品包装内的物品有：

- 1 个无线螺丝起子
- 1 个充电器
- 1 个工具箱
- 1 本使用手册
- 检查工具、部件或配件是否在运输过程中损坏。
- 使用前，请抽空彻底阅读并掌握本手册内容。

充电程序（图 1）



警告： 工具中的电池在出厂时并未充满电。在尝试对它们充电之前，请通读所有的安全指示。



警告： 断开工具与充电器的连接时，确保先从插座上拔下充电器插头，然后断开充电器电源线与工具的连接。当工具

连接至充电器时，切勿使用工具。要为螺丝起子充电，请执行以下步骤。

1. 将充电器的输出电源线插入螺丝起子手柄底半部的插口 (G) 中，如图 1 所示。
2. 将充电器插头插入相应的插座。
3. 首次充电请让工具充电 9 个小时。首次充电后，正常使用情况下，工具在 3 至 6 个小时内应可完全充满。

重要充电说明

1. 正常使用后，工具在 3 至 6 个小时内应可完全充满。若电池的电力完全耗尽，最多可能需 6 个小时才能完全充满。工具出厂时未进行充电。尝试使用前，必须充电至少 9 个小时。
2. 请勿在空气温度低于 40 °F (4.5 °C) 或高于 105 °F (40.5 °C) 的情况下为电池充电。这一点很重要，因为可以防止电池严重受损。电池在空气温度约为 75 °F (24 °C) 的环境中充电可以达到最长的使用寿命和最佳的效能。
3. 充电时，充电器可能会发出声音，并且表面温度可能升高。这是正常现象，并不表示出现问题。
4. 如果电池组没有正常充电：
 - a. 在插座中插入灯具或其它电器的插头，以检查插座是否能正常使用；
 - b. 检查插座是否与灯具开关相连接，如果连接，关闭灯具开关时会切断电源。
 - c. 将充电器和工具移至周围空气温度约为 40 °F - 105 °F (4.5° - 4.5 °C) 的地方
 - d. 如果充电问题仍然存在，请将工具、电池组送往当地维修中心。
5. 当工具无法像从前一样为作业轻松提供足够的电量时，应该对其充电。电池电量耗尽的情况下，请不要再继续使用工具。
6. 为了延长电池的使用寿命，应避免让电池留在充电器中持续充电（超过 30 天未使用）。尽管过度充电不会产生安全问题，但会明显缩短电池的整体使用寿命。

7. 正常使用情况下，电池在循环充电 5 次后可达到最佳效能。不必完全耗尽电池电力后才重新充电。正常使用是电池充电和再充电的最佳方式。

安全警告和说明：钻孔



警告：工具可能失速（如果过载或不当使用）而导致扭曲。务必预计是否会发生失速。紧握电钻以控制旋转动作，并预防可能会造成人身伤害的失控。如果真的发生失速，立即松开触发开关并在重新启动之前确定失速原因。

- 紧握工具以控制工具的旋转动作。

说明（图2）



警告：切勿改装本电动工具或其任何部件，否则可能会导致损坏或人身伤害。

- A. 快速释放轴环
- B. 扭矩调节轴环
- C. LED 指示灯
- D. 变速开关
- E. 正/反转开关
- F. 释放按钮
- G. 充电插口

操作



警告：请务必遵守安全指示和适用法规。

安装附件（图 2、3）

1. 如图 3 所示，竖直握持螺丝起子，压下快速释放轴环 (A)。
2. 将六角钻头柄附件插入夹持器中。
3. 松开快速释放轴环。

注：如果钻头不适合主轴，请轻旋钻头再插入。

拆卸附件（图 2、3）

1. 如图 3 所示，竖直握持螺丝起子，压下快速释放轴环 (A)。
2. 直接拔出附件。

开关（图 2）

要正向启动工具，请按下翘板开关 (E) 的顶部，工具随即开始运转。松开开关，工具将会停止。要使工具反向运转，请按下翘板开关的底部。如果没有按下翘板开关，工具将处于锁定状态，可作为任何常规、手动螺丝起子使用。

调整螺丝起子的角度（图 2、4）



警告：

- 为避免手指被夹，变换位置时请如图 4 所示握持螺丝起子。
- 在任何位置都不要将螺丝起子用作撬杆。
- 为避免螺丝起子意外启动，请不要将它放在您的口袋中。

要将工具转变为一个成角的螺丝起子，如图 4 所示将释放按钮 (F) 推进去，同时旋转工具顶部，直至工具锁定在其他两个操作位置之一。

扭矩控制（图 2、5）

扭矩调节轴环 (B) 带有多个编号标记和一个钻头图标。

工具共有 22 个离合器设置。每次沿顺时针旋转一下表示产生的扭矩增加一档。

若要设置扭矩，请将所需的设置与工具外壳上的箭头保持一致。

轴环上的编号越大，扭矩越高。

要锁定离合器以进行重型紧固操作，请移至钻头图标位置。

如果您不知道适用于拧紧螺丝的设置，请从最低的扭矩设置开始。

如果离合器在达到所需结果之前松脱，请增加轴环设置并继续拧紧螺丝。

重复此操作直至达到正确的设置、图 4 所示的释放按钮 (F)，并旋转工具的顶部直至

变速操作 (图 2)

螺丝起子的双速功能可换挡以获得更大的适用性。

若要选择低速（高扭矩设置），请关闭工具并让它停止转动。

然后将工具顶部的滑块开关 (D) 推向左。

以低速进行螺旋操作

若要选择高速（低扭矩设置），请关闭工具并让它停止转动。

然后将换挡器完全推向右。以高速进行钻孔操作。

LED 指示灯 (图 2)

要开启 LED 指示灯 (C)，请将螺丝起子下面的滑块开关推向工具的前面。

钻孔



警告：妥当地支撑工件并稳固地握住电钻以预防可能造成人身伤害的失控很重要。若您对工具的操作方法有疑问，请联系授权维修中心或其他合格的维修人员。

- 只使用锋利的钻头。
- 依照安全指示，适当地支撑和固定工件。
- 依照安全指示，使用适当、必要的安全设备。
- 依照安全指示，固定和维护工作区域。
- 慢慢地让电钻运转，轻轻地施压，直到所钻的洞不会让钻头滑出为止。
- 用力方向与钻头成一直线。请施加足够大的压力，保证钻头钻进所需，但不要大到马达失速或钻头倾斜。
- 请双手紧握工具，控制工具的扭转动作。
- 请勿试图通过按下、松开触发开关来启动失速的电钻，否则会损坏电钻。

- 减轻压力并慢慢钻过洞的底部，以便将失速穿透的可能性降至最低。
- 将钻头从已钻好的洞拔出时，让电动机保持运转。这有助于减少卡死情况。
- **确保开关可以将电钻启动和关闭。**

在木材上钻孔

木材钻孔可以使用和金属钻孔一样的麻花钻头。钻头应锋利，且在钻孔时应经常拔出钻头来清理钻屑。

注：不建议在金属或砖石上使用本工具钻孔。

维护

DeWALT 电动工具设计精良，可以长时间使用，而且只需极少的维护。要连续获得令人满意的工作效果，需要进行合适的工具维护和定期清洁。



警告：为降低严重的人身伤害风险，在进行任何调整或取出/安装附加装置或附件之前，请先关闭工具。意外启动可能会导致人身伤害。

本工具不允许用户自行维修。在使用大约 40 小时后，请将工具交由授权维修代理进行检修。如果在此之前工具发生任何问题，请联系授权维修代理。

充电器和电池组无法维修。这些组件内没有可以维修的部件。



润滑

本电动工具无需另行润滑。



清洁



警告：一旦看到通风口及其周围积聚了尘屑，请用干燥的空气将灰尘和尘屑从主机外壳内吹出。执行此过程时，需戴上经认可的护目装备和防尘面具。



警告：请勿使用溶剂或其它刺激性化学制品来清洁工具的非金属部件。这些化学物质可能会削弱这些部位使用的材料。请用布蘸温和的肥皂水擦拭。切勿让任何液体渗入工具，切勿让工具的任何部件浸在液体中。

充电器清洁说明



警告：触电危险。清洁前，请将充电器从交流电源插座上拔下。可用布或非金属软刷清除充电器外部的污垢和油脂。请勿使用水或任何清洁剂。

可选配件



警告：由于非 DeWALT 配件未经本产品匹配测试，本工具若使用此类配件，将存在隐患。为降低伤害风险，本产品仅可使用得伟推荐的配件。

有各种不同类型的 SDS Plus® 钻头和凿子可供选购。

SDS Plus® 设备中使用的附件和附加装置必须定期进行润滑。

请向您的经销商咨询更多关于合适附件的信息。

保护环境



分类回收。本产品不得与普通家庭垃圾一起处理。

如果您发现您的得伟产品需要进行更换，或您已经不再需要使用这些产品，请不要将它们与家庭垃圾一起处理。请将它们单独分类回收。



分类回收使用过的产品和包装能够让材料得以再循环和再利用。再生材料的再利用有助于防止环境污染，并降低对原材料的需求。

当地法规可能要求由市政废物处理点或向您出售新产品的零售商提供从家庭中分类回收电气产品的服务。

DeWALT 提供设施收集和再循环利用以处理寿命到期的 DeWALT 产品。若要享受这项服务，请将产品送回任一授权维修代理，他们将代表我们回收您的产品。

您可通过联系本手册中所记载的当地 DeWALT 办事处查询离您最近的授权维修代理的位置。或者，您也可以登陆以下网站查询 DeWALT 授权维修代理名单，以及我们的售后服务和联系方式的详细信息，网址是 www.2helpU.com。



充电式电池组

本电池组使用寿命长，不能提供顺利完成工作所需的电力时，必须进行充电。电池技术寿命结束时，请妥善处理以保护环境。

- 耗尽电池组的电力，然后从工具中取出。
- 镍镉电池是可回收的。将它们送往您的经销商处或当地的回收站。回收的电池组将被妥善循环利用或处理。

制造厂：史丹利百得精密制造（深圳）有限公司
地址：广东省深圳市宝安区石岩街道水田社区捷和工业城

