

DEWALT®

XR®

English (*original instructions*)

3

简体中文

13

Fig. A
图A

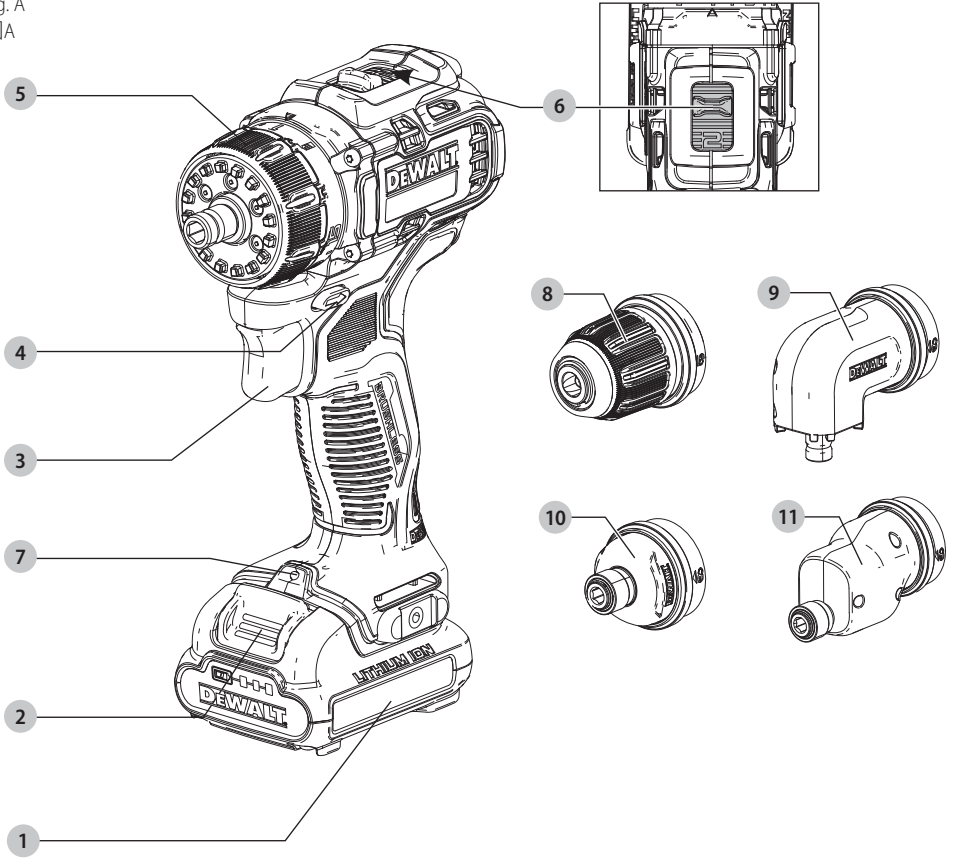


Fig. B
图B

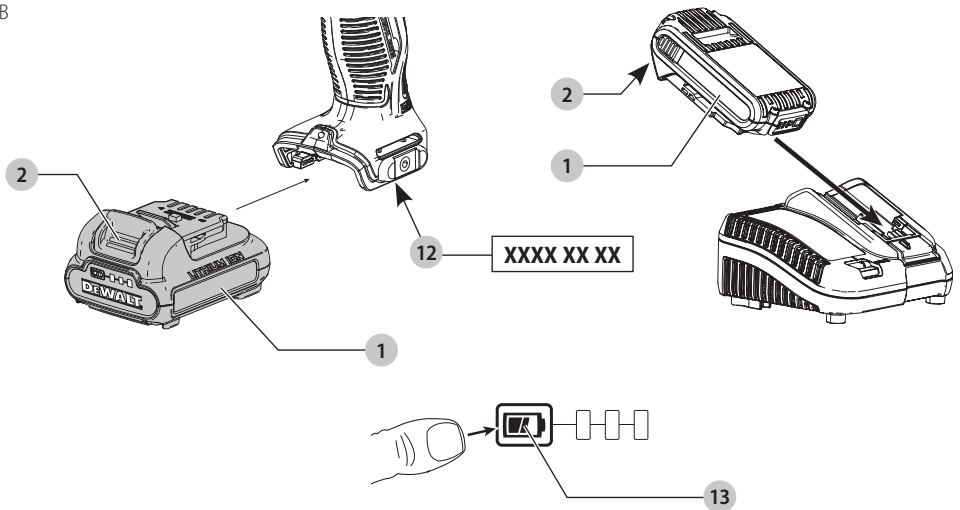


Fig. C
图C

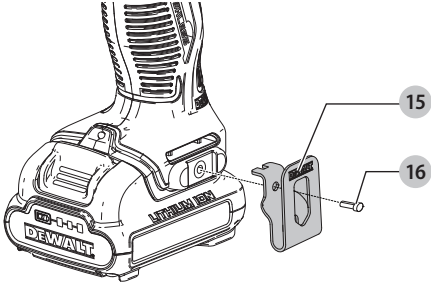


Fig. D
图D

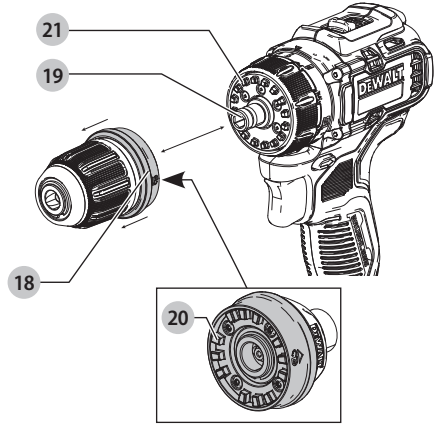


Fig. E
图E

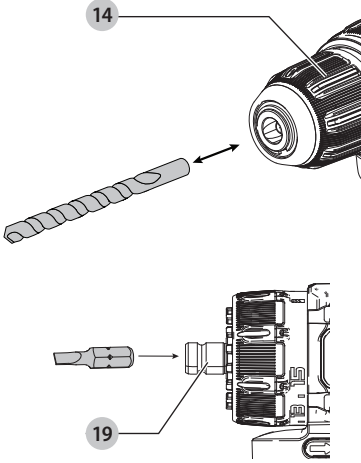
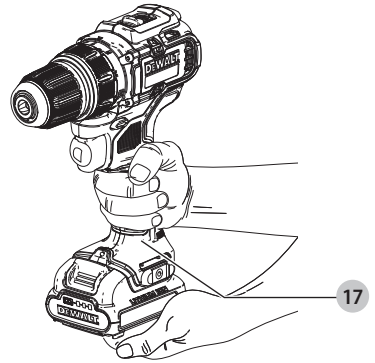


Fig. F
图F



DRILL/DRIVER

DCD703

Congratulations!

You have chosen a DEWALT tool. Years of experience, thorough product development and innovation make DEWALT one of the most reliable partners for professional power tool users.

Technical Data

			DCD703
Voltage	V _{DC}		10.8(12 Max)
Battery type			Li-Ion
Power output	W		250
No-load speed			
1st gear	min ⁻¹		0–425
2nd gear	min ⁻¹		0–1500
Max. Torque (hard/soft)	Nm		57.5/25.5
Chuck capacity	mm		10
Maximum drilling capacity			
Wood	mm		20
Metal	mm		10
Masonry	mm		-
Weight (without battery pack or heads)	kg		0.73

Batteries				Chargers / Charge Times (Minutes)					
Cat#	V _{DC}	Ah	Weight(kg)	DCB107	DCB112	DCB115	DCB117 DCB1112	DCB118	DCB132
DCB122	10.8 (12 Max)	2.0	0.22	90	60	30	X	X	30
DCB124	10.8 (12 Max)	3.0	0.25	140	90	45	X	X	45
DCB125	10.8 (12 Max)	1.3	0.20	60	40	22	X	X	22
DCB126	10.8 (12 Max)	5.0	0.43	240	150	75	X	X	75
DCB127	10.8 (12 Max)	2.0	0.20	90	60	30	X	X	30

*Date code 201811475B or later

**Date code 201536 or later



WARNING: To reduce the risk of injury, read the instruction manual.

Definitions: Safety Guidelines

The definitions below describe the level of severity for each signal word. Please read the manual and pay attention to these symbols.



DANGER: Indicates an imminently hazardous situation which, if not avoided, **will** result in **death or serious injury**.



WARNING: Indicates a potentially hazardous situation which, if not avoided, **could** result in **death or serious injury**.



CAUTION: Indicates a potentially hazardous situation which, if not avoided, **may** result in **minor or moderate injury**.

NOTICE: Indicates a practice **not related to personal injury** which, if not avoided, **may** result in **property damage**.



Denotes risk of electric shock.



Denotes risk of fire.

GENERAL POWER TOOL SAFETY WARNINGS



WARNING: Read all safety warnings, instructions, illustrations and specifications provided with this power tool. Failure to follow all instructions listed below may result in electric shock, fire and/or serious injury.

SAVE ALL WARNINGS AND INSTRUCTIONS FOR FUTURE REFERENCE

The term "power tool" in the warnings refers to your mains-operated (corded) power tool or battery-operated (cordless) power tool.

Work Area Safety

- a) **Keep work area clean and well lit.** Cluttered or dark areas invite accidents.
- b) **Do not operate power tools in explosive atmospheres, such as in the presence of flammable liquids, gases or dust.** Power tools create sparks which may ignite the dust or fumes.
- c) **Keep children and bystanders away while operating a power tool.** Distractions can cause you to lose control.
- e) **Do not overreach. Keep proper footing and balance at all times.** This enables better control of the power tool in unexpected situations.
- f) **Dress properly. Do not wear loose clothing or jewellery. Keep your hair and clothing away from moving parts.** Loose clothes, jewellery or long hair can be caught in moving parts.
- g) **If devices are provided for the connection of dust extraction and collection facilities, ensure these are connected and properly used.** Use of dust collection can reduce dust-related hazards.

Electrical Safety

- a) **Power tool plugs must match the outlet. Never modify the plug in any way. Do not use any adapter plugs with earthed (grounded) power tools.** Unmodified plugs and matching outlets will reduce risk of electric shock.
- b) **Avoid body contact with earthed or grounded surfaces, such as pipes, radiators, ranges and refrigerators.** There is an increased risk of electric shock if your body is earthed or grounded.
- c) **Do not expose power tools to rain or wet conditions.** Water entering a power tool will increase the risk of electric shock.
- d) **Do not abuse the cord. Never use the cord for carrying, pulling or unplugging the power tool. Keep cord away from heat, oil, sharp edges or moving parts.** Damaged or entangled cords increase the risk of electric shock.
- e) **When operating a power tool outdoors, use an extension cord suitable for outdoor use.** Use of a cord suitable for outdoor use reduces the risk of electric shock.
- f) **If operating a power tool in a damp location is unavoidable, use a residual current device (RCD) protected supply.** Use of an RCD reduces the risk of electric shock.
- h) **Do not let familiarity gained from frequent use of tools allow you to become complacent and ignore tool safety principles.** A careless action can cause severe injury within a fraction of a second.

Power Tool Use and Care

- a) **Do not force the power tool. Use the correct power tool for your application.** The correct power tool will do the job better and safer at the rate for which it was designed.
- b) **Do not use the power tool if the switch does not turn it on and off.** Any power tool that cannot be controlled with the switch is dangerous and must be repaired.
- c) **Disconnect the plug from the power source and/or remove the battery pack, if detachable, from the power tool before making any adjustments, changing accessories, or storing power tools.** Such preventive safety measures reduce the risk of starting the power tool accidentally.
- d) **Store idle power tools out of the reach of children and do not allow persons unfamiliar with the power tool or these instructions to operate the power tool.** Power tools are dangerous in the hands of untrained users.
- e) **Maintain power tools and accessories. Check for misalignment or binding of moving parts, breakage of parts and any other condition that may affect the power tool's operation. If damaged, have the power tool repaired before use.** Many accidents are caused by poorly maintained power tools.
- f) **Keep cutting tools sharp and clean.** Properly maintained cutting tools with sharp cutting edges are less likely to bind and are easier to control.
- g) **Use the power tool, accessories and tool bits etc. in accordance with these instructions, taking into account the working conditions and the work to be performed.** Use of the power tool for operations different from those intended could result in a hazardous situation.
- h) **Keep handles and grasping surfaces dry, clean and free from oil and grease.** Slippery handles and grasping surfaces do not allow for safe handling and control of the tool in unexpected situations.

Battery Tool Use and Care

- a) **Recharge only with the charger specified by the manufacturer.** A charger that is suitable for one type of battery pack may create a risk of fire when used with another battery pack.

Personal Safety

- a) **Stay alert, watch what you are doing and use common sense when operating a power tool. Do not use a power tool while you are tired or under the influence of drugs, alcohol or medication.** A moment of inattention while operating power tools may result in serious personal injury.
- b) **Use personal protective equipment. Always wear eye protection.** Protective equipment such as a dust mask, non-skid safety shoes, hard hat or hearing protection used for appropriate conditions will reduce personal injuries.
- c) **Prevent unintentional starting. Ensure the switch is in the off-position before connecting to power source and/or battery pack, picking up or carrying the tool.** Carrying power tools with your finger on the switch or energising power tools that have the switch on invites accidents.
- d) **Remove any adjusting key or wrench before turning the power tool on.** A wrench or a key left attached to a rotating part of the power tool may result in personal injury.

- b) **Use power tools only with specifically designated battery packs.** Use of any other battery packs may create a risk of injury and fire.
 - c) **When battery pack is not in use, keep it away from other metal objects, like paper clips, coins, keys, nails, screws or other small metal objects, that can make a connection from one terminal to another.** Shorting the battery terminals together may cause burns or a fire.
 - d) **Under abusive conditions, liquid may be ejected from the battery; avoid contact. If contact accidentally occurs, flush with water. If liquid contacts eyes, additionally seek medical help.** Liquid ejected from the battery may cause irritation or burns.
 - e) **Do not use a battery pack or tool that is damaged or modified.** Damaged or modified batteries may exhibit unpredictable behaviour resulting in fire, explosion or risk of injury.
 - f) **Do not expose a battery pack or tool to fire or excessive temperature.** Exposure to fire or temperature above 130 °C may cause explosion.
 - g) **Follow all charging instructions and do not charge the battery pack or tool outside the temperature range specified in the instructions.** Charging improperly or at temperatures outside the specified range may damage the battery and increase the risk of fire.
- **Apply pressure only in direct line with the bit and do not apply excessive pressure.** Bits can bend causing breakage or loss of control, resulting in personal injury.

Additional Safety Warnings for Drills

- **Use clamps or other practical way to secure and support the workpiece to a stable platform.** Holding the work by hand or against your body is unstable and may lead to loss of control.
- **Accessories and tool may get hot during operation.** Wear gloves when handling them if performing heat producing applications such as drilling metals.
- **Air vents often cover moving parts and should be avoided.** Loose clothes, jewelry or long hair can be caught in moving parts.

Residual Risks

In spite of the application of the relevant safety regulations and the implementation of safety devices, certain residual risks cannot be avoided. These are:

- Impairment of hearing.
- Risk of personal injury due to flying particles.
- Risk of burns due to accessories becoming hot during operation.
- Risk of personal injury due to prolonged use.

SAVE THESE INSTRUCTIONS

Service

- a) **Have your power tool serviced by a qualified repair person using only identical replacement parts.** This will ensure that the safety of the power tool is maintained.
- b) **Never service damaged battery packs.** Service of battery packs should only be performed by the manufacturer or authorized service providers.

Safety Instructions for All Operations

- **Wear ear protectors when impact drilling.** Exposure to noise can cause hearing loss.
- **Hold power tool by insulated gripping surfaces, when performing an operation where the cutting accessory or the fastener may contact hidden wiring.** Cutting accessory or the fastener contacting a "live" wire may make exposed metal parts of the power tool "live" and could give the operator an electric shock.

Safety Instructions When Using Long Drill Bits

- **Never operate at higher speed than the maximum speed rating of the drill bit.** At higher speeds, the bit is likely to bend if allowed to rotate freely without contacting the workpiece, resulting in personal injury.
- **Always start drilling at low speed and with the bit tip in contact with the workpiece.** At higher speeds, the bit is likely to bend if allowed to rotate freely without contacting the workpiece, resulting in personal injury.

Chargers

DeWALT chargers require no adjustment and are designed to be as easy as possible to operate.

Electrical Safety

The electric motor has been designed for one voltage only. Always check that the battery pack voltage corresponds to the voltage on the rating plate. Also make sure that the voltage of your charger corresponds to that of your mains.



Your DeWALT charger is double insulated in accordance with IEC60335; therefore no earth wire is required.

If the supply cord is damaged, it must be replaced only by DeWALT or an authorised service organisation.

Using an Extension Cable

An extension cord should not be used unless absolutely necessary. Use an approved extension cable suitable for the power input of your charger (see **Technical Data**). The minimum conductor size is 1 mm²; the maximum length is 30 m.

When using a cable reel, always unwind the cable completely.

Important Safety Instructions for All Battery Chargers

SAVE THESE INSTRUCTIONS: This manual contains important safety and operating instructions for compatible battery chargers (refer to **Technical Data**).

- Before using charger, read all instructions and cautionary markings on charger, battery pack, and product using battery pack.



WARNING: Shock hazard. Do not allow any liquid to get inside charger. Electric shock may result.



WARNING: We recommend the use of a residual current device with a residual current rating of 30mA or less.



CAUTION: Burn hazard. To reduce the risk of injury, charge only DEWALT rechargeable batteries. Other types of batteries may burst causing personal injury and damage.



CAUTION: Children should be supervised to ensure that they do not play with the appliance.

NOTICE: Under certain conditions, with the charger plugged into the power supply, the exposed charging contacts inside the charger can be shorted by foreign material. Foreign materials of a conductive nature such as, but not limited to, steel wool, aluminum foil or any buildup of metallic particles should be kept away from charger cavities. Always unplug the charger from the power supply when there is no battery pack in the cavity. Unplug charger before attempting to clean.

- **DO NOT attempt to charge the battery pack with any chargers other than the ones in this manual.** The charger and battery pack are specifically designed to work together.
- **These chargers are not intended for any uses other than charging DEWALT rechargeable batteries.** Any other uses may result in risk of fire, electric shock or electrocution.
- **Do not expose charger to rain or snow.**
- **Pull by plug rather than cord when disconnecting charger.** This will reduce risk of damage to electric plug and cord.
- **Make sure that cord is located so that it will not be stepped on, tripped over, or otherwise subjected to damage or stress.**
- **Do not use an extension cord unless it is absolutely necessary.** Use of improper extension cord could result in risk of fire, electric shock, or electrocution.
- **Do not place any object on top of charger or place the charger on a soft surface that might block the ventilation slots and result in excessive internal heat.** Place the charger in a position away from any heat source. The charger is ventilated through slots in the top and the bottom of the housing.
- **Do not operate charger with damaged cord or plug—** have them replaced immediately.
- **Do not operate charger if it has received a sharp blow, been dropped, or otherwise damaged in any way.** Take it to an authorised service centre.
- **Do not disassemble charger; take it to an authorised service centre when service or repair is required.** Incorrect reassembly may result in a risk of electric shock, electrocution or fire.

- In case of damaged power supply cord, the supply cord must be replaced immediately by the manufacturer, its service agent or similar qualified person to prevent any hazard.
- **Disconnect the charger from the outlet before attempting any cleaning. This will reduce the risk of electric shock.** Removing the battery pack will not reduce this risk.
- **NEVER** attempt to connect two chargers together.
- **The charger is designed to operate on standard 220-240V household electrical power. Do not attempt to use it on any other voltage.** This does not apply to the vehicular charger.

Charging a Battery (Fig. B)

1. Plug the charger into an appropriate outlet before inserting battery pack.
2. Insert the battery pack ① into the charger, making sure the battery pack is fully seated in the charger. The red (charging) light will blink repeatedly indicating that the charging process has started.
3. The completion of charge will be indicated by the red light remaining ON continuously. The battery pack is fully charged and may be used at this time or left in the charger. To remove the battery pack from the charger, push the battery release button ② on the battery pack.

NOTE: To ensure maximum performance and life of lithium-ion battery packs, charge the battery pack fully before first use.

Charger Operation

Refer to the indicators below for the charge status of the battery pack.

Charge Indicators		
	Charging	
	Fully Charged	
	Hot/Cold Pack Delay*	

*The red light will continue to blink, but a yellow indicator light will be illuminated during this operation. Once the battery pack has reached an appropriate temperature, the yellow light will turn off and the charger will resume the charging procedure. The compatible charger(s) will not charge a faulty battery pack. The charger will indicate faulty battery by refusing to light.

NOTE: This could also mean a problem with a charger. If the charger indicates a problem, take the charger and battery pack to be tested at an authorised service centre.

Hot/Cold Pack Delay

When the charger detects a battery pack that is too hot or too cold, it automatically starts a Hot/Cold Pack Delay, suspending charging until the battery pack has reached an appropriate temperature. The charger then automatically switches to the pack charging mode. This feature ensures maximum battery pack life.

A cold battery pack will charge at a slower rate than a warm battery pack. The battery pack will charge at that slower rate throughout the entire charging cycle and will not return to maximum charge rate even if the battery pack warms.

Electronic Protection System

XR Li-Ion tools are designed with an Electronic Protection System that will protect the battery pack against overloading, overheating or deep discharge.

The tool will automatically turn off if the Electronic Protection System engages. If this occurs, place the lithium-ion battery pack on the charger until it is fully charged.

Wall Mounting

These chargers are designed to be wall mountable or to sit upright on a table or work surface. If wall mounting, locate the charger within reach of an electrical outlet, and away from a corner or other obstructions which may impede air flow. Use the back of the charger as a template for the location of the mounting screws on the wall. Mount the charger securely using drywall screws (purchased separately) at least 25.4 mm long with a screw head diameter of 7–9 mm, screwed into wood to an optimal depth leaving approximately 5.5 mm of the screw exposed. Align the slots on the back of the charger with the exposed screws and fully engage them in the slots.

Charger Cleaning Instructions



WARNING: Shock hazard. Disconnect the charger from the AC outlet before cleaning. Dirt and grease may be removed from the exterior of the charger using a cloth or soft non-metallic brush. Do not use water or any cleaning solutions. Never let any liquid get inside the tool; never immerse any part of the tool into a liquid.

Battery Packs

Important Safety Instructions for All Battery Packs

When ordering replacement battery packs, be sure to include catalogue number and voltage.

The battery pack is not fully charged out of the carton. Before using the battery pack and charger, read the safety instructions below. Then follow charging procedures outlined.

READ ALL INSTRUCTIONS

- **Do not charge or use battery in explosive atmospheres, such as in the presence of flammable liquids, gases or dust.** Inserting or removing the battery from the charger may ignite the dust or fumes.
- **Never force battery pack into charger. Do not modify battery pack in any way to fit into a non-compatible charger as battery pack may rupture causing serious personal injury.**
- Charge the battery packs only in DeWALT chargers.
- **DO NOT splash or immerse in water or other liquids.**
- **Do not store or use the tool and battery pack in locations where the temperature may fall below 4 °C (39.2 °F) (such as outside sheds or metal buildings in winter), or**

reach or exceed 40 °C (104 °F) (such as outside sheds or metal buildings in summer).

- **Do not incinerate the battery pack even if it is severely damaged or is completely worn out.** The battery pack can explode in a fire. Toxic fumes and materials are created when lithium-ion battery packs are burned.
- **If battery contents come into contact with the skin, immediately wash area with mild soap and water.** If battery liquid gets into the eye, rinse water over the open eye for 15 minutes or until irritation ceases. If medical attention is needed, the battery electrolyte is composed of a mixture of liquid organic carbonates and lithium salts.
- **Contents of opened battery cells may cause respiratory irritation.** Provide fresh air. If symptoms persists, seek medical attention.



WARNING: Burn hazard. Battery liquid may be flammable if exposed to spark or flame.



WARNING: Never attempt to open the battery pack for any reason. If battery pack case is cracked or damaged, do not insert into charger. Do not crush, drop or damage battery pack. Do not use a battery pack or charger that has received a sharp blow, been dropped, run over or damaged in any way (i.e., pierced with a nail, hit with a hammer, stepped on). Electric shock or electrocution may result. Damaged battery packs should be returned to service centre for recycling.



WARNING: Fire hazard. Do not store or carry the battery pack so that metal objects can contact exposed battery terminals. For example, do not place the battery pack in aprons, pockets, tool boxes, product kit boxes, drawers, etc., with loose nails, screws, keys, etc.



CAUTION: When not in use, place tool on its side on a stable surface where it will not cause a tripping or falling hazard. Some tools with large battery packs will stand upright on the battery pack but may be easily knocked over.

Transportation



WARNING: Fire hazard. Transporting batteries can possibly cause fire if the battery terminals inadvertently come in contact with conductive materials. When transporting batteries, make sure that the battery terminals are protected and well insulated from materials that could contact them and cause a short circuit. **NOTE: Lithium-ion batteries should not be put in checked baggage.**

DeWALT batteries comply with all applicable shipping regulations as prescribed by industry and legal standards which include UN Recommendations on the Transport of Dangerous Goods; International Air Transport Association (IATA) Dangerous Goods Regulations, International Maritime Dangerous Goods (IMDG) Regulations, and the European Agreement Concerning The International Carriage of Dangerous Goods by Road (ADR). Lithium-ion cells and batteries have been tested to section 38.3 of the UN Recommendations on the Transport of Dangerous Goods Manual of Tests and Criteria.

In most instances, shipping a DeWALT battery pack will be excepted from being classified as a fully regulated Class 9 Hazardous Material. In general, only shipments containing a lithium-ion battery with an energy rating greater than 100 Watt Hours (Wh) will require being shipped as fully regulated Class 9. All lithium-ion batteries have the Watt Hour rating marked on the pack. Furthermore, due to regulation complexities, DeWALT does not recommend air shipping lithium-ion battery packs alone regardless of Watt Hour rating. Shipments of tools with batteries (combo kits) can be air shipped as excepted if the Watt Hour rating of the battery pack is no greater than 100 Wh.

Regardless of whether a shipment is considered excepted or fully regulated, it is the shipper's responsibility to consult the latest regulations for packaging, labeling/marketing and documentation requirements.

The information provided in this section of the manual is provided in good faith and believed to be accurate at the time the document was created. However, no warranty, expressed or implied, is given. It is the buyer's responsibility to ensure that its activities comply with the applicable regulations.

Storage Recommendations

1. The best storage place is one that is cool and dry away from direct sunlight and excess heat or cold. For optimum battery performance and life, store battery packs at room temperature when not in use.
2. For long storage, it is recommended to store a fully charged battery pack in a cool, dry place out of the charger for optimal results.

NOTE: Battery packs should not be stored completely depleted of charge. The battery pack will need to be recharged before use.


Labels on Charger and Battery Pack


In addition to the pictographs used in this manual, the labels on the charger and the battery pack may show the following pictographs:


 Read instruction manual before use.



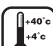
 See **Technical Data** for charging time.


 Do not probe with conductive objects.


 Do not charge damaged battery packs.


 Do not expose to water.

 Have defective cords replaced immediately

 Charge only between 4 °C and 40 °C.

 Only for indoor use.

 Discard the battery pack with due care for the environment.

 Charge DeWALT battery packs only with designated DeWALT chargers. Charging battery packs other than the designated DeWALT batteries with a DeWALT charger may make them burst or lead to other dangerous situations.

 Do not incinerate the battery pack.

Battery Type

The following tools operate on a 12 volt battery pack: DCD703. These battery packs may be used: DCB122, DCB124, DCB125, DCB126, DCB127, . Refer to **Technical Data** for more information.

Package Contents

The package contains:

- 1 Drill/driver
- 1 10 mm chuck attachment
- 1 6.35 mm hex right angle attachment
- 1 6.35 mm hex quick release attachment
- 1 6.35 mm hex quick release offset attachment
- 1 Charger
- 1 Li-Ion battery pack (C1, D1, G1, L1, M1, P1, S1, T1, X1, Y1 models)
- 2 Li-Ion battery packs (C2, D2, G2, L2, M2, P2, S2, T2, X2, Y2 models)
- 3 Li-Ion battery packs (C3, D3, G3, L3, M3, P3, S3, T3, X3, Y3 models)
- 1 Instruction manual

NOTE: Battery packs, chargers and kitboxes are not included with N models. Battery packs and chargers are not included with NT models. B models include Bluetooth® battery packs.


NOTE: The Bluetooth® word mark and logos are registered trademarks owned by the Bluetooth®, SIG, Inc. and any use of such marks by DeWALT is under license. Other trademarks and trade names are those of their respective owners.

- Check for damage to the tool, parts or accessories which may have occurred during transport.
- Take the time to thoroughly read and understand this manual prior to operation.

Markings on Tool

The following pictograms are shown on the tool:

 Read instruction manual before use.

 Wear ear protection.



Wear eye protection.



Visible radiation. Do not stare into light.

Date Code Position (Fig. B)

The date code **12**, which also includes the year of manufacture, is printed into the housing.

Example:

2022 XX XX

Year and Week of Manufacture

Description (Fig. A)



WARNING: Never modify the power tool or any part of it. Damage or personal injury could result.

- 1 Battery pack
- 2 Battery release button
- 3 Variable speed trigger
- 4 Forward/reverse control button
- 5 Mode selection collar
- 6 Speed selector
- 7 Worklight
- 8 10 mm chuck attachment
- 9 6.35 mm hex right angle attachment
- 10 6.35 mm hex quick release attachment
- 11 6.35 mm hex quick release offset attachment

Intended Use

These drills/drivers are designed for professional drilling and screwdriving applications.

DO NOT use under wet conditions or in the presence of flammable liquids or gases.

These drills/drivers are professional power tools.

DO NOT let children come into contact with the tool.

Supervision is required when inexperienced operators use this tool.

- **Young children and the infirm.** This appliance is not intended for use by young children or infirm persons without supervision.
- This product is not intended for use by persons (including children) suffering from diminished physical, sensory or mental abilities; lack of experience, knowledge or skills unless they are supervised by a person responsible for their safety. Children should never be left alone with this product.

ASSEMBLY AND ADJUSTMENTS



WARNING: To reduce the risk of serious personal injury, turn tool off and disconnect battery pack before making any adjustments or removing/installing attachments or accessories. An accidental start-up can cause injury.



WARNING: Use only DEWALT battery packs and chargers.

Inserting and Removing the Battery Pack from the Tool (Fig. B)

NOTE: Make sure your battery pack **1** is fully charged.

To Install the Battery Pack into the Tool Handle

1. Align the battery pack **1** with the rails inside the tool's handle (Fig. B).
2. Slide it into the handle until the battery pack is firmly seated in the tool and ensure that you hear the lock snap into place.

To Remove the Battery Pack from the Tool

1. Press the release button **2** and firmly pull the battery pack out of the tool handle.
2. Insert battery pack into the charger as described in the charger section of this manual.

Fuel Gauge Battery Packs (Fig. B)

Some DEWALT battery packs include a fuel gauge which consists of three green LED lights that indicate the level of charge remaining in the battery pack.

To actuate the fuel gauge, press and hold the fuel gauge button **13**. A combination of the three green LED lights will illuminate designating the level of charge left. When the level of charge in the battery is below the usable limit, the fuel gauge will not illuminate and the battery will need to be recharged.

NOTE: The fuel gauge is only an indication of the charge left on the battery pack. It does not indicate tool functionality and is subject to variation based on product components, temperature and end-user application.

Belt Hook (Fig. C)

Included with Some Models



WARNING: To reduce the risk of serious personal injury, **ONLY** use the tool's belt hook to hang the tool from a work belt. **DO NOT** use the belt hook for tethering or securing the tool to a person or object during use. **DO NOT** suspend tool overhead or suspend objects from the belt hook.



WARNING: To reduce the risk of serious personal injury, ensure the screw holding the belt hook is secure.

IMPORTANT: When attaching or replacing a belt hook, use only the screw that is provided. Be sure to securely tighten the screw. A belt hook **15** can be attached to either side of the tool using only the screw **16** provided, to accommodate left- or right-handed users. If the belt hook is not desired at all, it can be removed from the tool.

To move the belt hook, remove the screw **16** that holds it in place then reassemble on the opposite side. Be sure to securely tighten the screw.

Installing and Removing Attachments (Fig. A, D)



WARNING: Shock hazard. Under no circumstances should this product be used near water.



WARNING: Burn hazard. Moving parts within the power unit become hot during use. Avoid contact with moving parts within power unit when removing and installing accessories.



WARNING: Before assembly, lock the power unit by setting the forward/reverse slider to the center position and remove the battery from the tool. Remove any accessory from the attachment before removing or installing the attachment.

1. Pull back on the locking sleeve **18** on the attachment in the direction of the arrow.
2. Slide the attachment onto the spindle **19**, aligning the slots **20** on the attachment with the lugs **21** around the spindle.
NOTE: Once on the spindle you may have to rotate the attachment a small bit side to side so the slots align with the lugs. The 10 mm chuck attachment **8** does not have any slots to align.
3. To remove the attachment, pull back on the locking sleeve in the direction of the arrow and remove the attachment from the spindle.

NOTE: The 6.35 mm hex right angle attachment **9** allows additional attachments to be installed on its spindle. With the 6.35 mm hex right angle attachment installed on the tool follow instruction 1 and 2 of this section to install additional attachments.

NOTE: Only use attachments that are specifically designed for and compatible with the power unit. Refer to individual attachment instruction manuals for specific safety warnings and operating instructions before operating attachments with the power unit.

Installing a Bit or Accessory into a Keyless Chuck (Fig. E)



WARNING: Do not attempt to tighten drill bits (or any other accessory) by gripping the front part of the chuck and turning the tool on. Damage to the chuck and personal injury may result. Always lock off trigger switch and disconnect tool from power source when changing accessories.



WARNING: Always ensure the bit is secure before starting the tool. A loose bit may eject from tool causing possible personal injury.

Your tool features a keyless chuck with one rotating sleeve **14** for one-handed operation of the chuck. To insert a drill bit or other accessory, follow these steps.

1. Turn tool off and remove battery pack.
2. Grasp the black sleeve of the chuck with one hand and use the other hand to secure the tool. Rotate the sleeve counterclockwise far enough to accept the desired accessory.
3. Insert the accessory about 19 mm into the chuck and tighten securely by rotating the chuck sleeve clockwise with one hand while holding the tool with the other. Your tool is

equipped with an automatic spindle lock mechanism. This allows you to open and close the chuck with one hand.

Be sure to tighten chuck with one hand on the chuck sleeve and one hand holding the tool for maximum tightness.

To release the accessory, repeat steps 1 and 2 above.

Installing a Bit or Accessory with No Attachment (Fig. E)

You can use your tool with installing an attachment.

Insert a hex bit directly into the spindle **19**. It is held in place magnetically.

Speed Selection (Fig. A)

The tool features two speed settings for greater versatility.

NOTE: Do not change speeds when the tool is running. Always allow the tool to come to a complete stop before changing speed.

1. To select speed 1 (high torque setting), turn the tool off and permit it to stop. Slide the speed selector **6** back (away from the chuck).
2. To select speed 2 (high speed setting), turn the tool off and permit it to stop. Slide the speed selector **6** forward (toward the chuck).

If the tool does not change speeds, confirm that the speed selection switch is completely engaged in the forward or back position.

Mode Selection (Fig. A)

The mode selection collar **5** can be used to select the correct operating mode depending upon the planned application.

To select, rotate the collar until the desired symbol aligns with the arrow.

Symbol	Mode
	Drilling
1-15	Screwdriving (higher number = greater torque)

Variable Speed Trigger and Forward/Reverse Control Button (Fig. A)

The tool is turned on and off by pulling and releasing the variable speed trigger switch **3**. The farther the trigger is depressed, the higher the speed of the tool. Your tool is equipped with a brake. The chuck will stop as soon as the trigger switch is fully released.

A forward/reverse control button **4** determines the rotational direction of the tool and also serves as a lock-off button.

- To select forward rotation (clockwise), release the trigger and depress the forward/reverse control button on the right side of the tool.
- To select reverse (counterclockwise), depress the forward/reverse control button on the left side of the tool.

NOTE: The centre position of the control button locks the tool in the off position. When changing the position of the control button, be sure the trigger is released.

NOTE: Continuous use in variable speed range is not recommended. It may damage the switch and should be avoided.

NOTE: The first time the tool is run after changing the direction of rotation, you may hear a click on start up. This is normal and does not indicate a problem.

OPERATION

Instructions for Use



WARNING: Always observe the safety instructions and applicable regulations.



WARNING: To reduce the risk of serious personal injury, turn tool off and disconnect battery pack before making any adjustments or removing/installing attachments or accessories. An accidental start-up can cause injury.

Proper Hand Position (Fig. F)



WARNING: To reduce the risk of serious personal injury, ALWAYS use proper hand position as shown.



WARNING: To reduce the risk of serious personal injury, ALWAYS hold securely in anticipation of a sudden reaction.

Proper hand position requires one hand on the main handle **17** and one hand on the battery pack.

Worklight (Fig. A)

There is a worklight **7** located on the foot of the tool. The worklight is activated when the trigger switch is depressed. When the trigger is released, the worklight will stay illuminated for up to 20 seconds.

NOTE: The worklight is for lighting the immediate work surface and is not intended to be used as a flashlight.

Performing an Application (Fig. A)



WARNING: To reduce the risk of personal injury, ALWAYS ensure workpiece is anchored or clamped firmly.



WARNING: Always wait until the motor has come to a complete standstill before changing the direction of rotation.

Prior to performing work:

- Set the speed selector **6**. Refer to **Speed Selection**.
- Install the appropriate bit or accessory into the chuck. Refer to **Installing a Bit or Accessory into a Keyless Chuck**.



WARNING:

- Do not use this tool to mix or pump easily combustible or explosive fluids (benzine, alcohol, etc.).
- Do not mix or stir flammable liquids labeled accordingly.

Screwdriving

Your tool has a clutch with adjustable torque for driving and removing a wide array of fastener shapes and sizes. The numbers on the mode selection collar **5** are used to set a torque range for screwdriving. The higher the number on the

collar, the higher the torque and the larger the fastener which can be driven.

1. Turn the mode selection collar **5** to the desired position. Refer to **Mode Selection**.
2. Pull the trigger switch applying pressure in a straight line with the bit until the fastener is seated at the desired depth in the workpiece.

Recommendations for Screwdriving

- Start with lower torque settings, then advance to higher torque settings to avoid damage to the workpiece or fastener.
- Make some practice runs in scrap or on unseen areas of the workpiece to determine the proper position of the mode selection collar.

Drilling

1. Turn the mode selection collar **5** to the drill symbol. Refer to **Mode Selection**.

2. Place drill bit in contact with the workpiece.

NOTE: Use sharp drill bit only.

3. Pull the trigger applying pressure in a straight line with the bit until it reaches the desired depth.



WARNING: Drill may stall if overloaded causing a sudden twist. Always expect the stall. Grip the drill firmly to control the twisting action and avoid injury.

4. Keep the motor running when pulling the bit back out of a drilled hole to prevent jamming.

Recommendations for Drilling

- When drilling, always apply pressure in a straight line with the bit, but do not push hard enough to stall the motor or deflect the bit.
- **IF THE DRILL STALLS:**
 - **RELEASE TRIGGER SWITCH IMMEDIATELY**, remove drill bit from work, and determine cause of stalling.
 - **DO NOT DEPRESS TRIGGER SWITCH ON AND OFF IN AN ATTEMPT TO START A STALLED DRILL—THIS CAN DAMAGE THE DRILL.**
 - To minimize stalling or breaking through the material, reduce pressure on drill and ease the bit through the last fractional part of the hole.
- Large holes (7.9 mm to 12.7 mm) in steel can be made easier if a pilot hole (4 mm to 4.8 mm) is drilled first.
- If drilling thin material or material that is prone to splinter, use a wood “back-up” block to prevent damage to the work piece.

MAINTENANCE

Your power tool has been designed to operate over a long period of time with a minimum of maintenance. Continuous satisfactory operation depends upon proper tool care and regular cleaning.



WARNING: To reduce the risk of serious personal injury, turn tool off and disconnect battery pack before making any adjustments or removing/installing attachments or accessories. An accidental start-up can cause injury.

The charger and battery pack are not serviceable.



Lubrication

Your power tool requires no additional lubrication.



Cleaning



WARNING: Blow dirt and dust out of the main housing with dry air as often as dirt is seen collecting in and around the air vents. Wear approved eye protection and approved dust mask when performing this procedure.



WARNING: Never use solvents or other harsh chemicals for cleaning the non-metallic parts of the tool. These chemicals may weaken the materials used in these parts. Use a cloth dampened only with water and mild soap. Never let any liquid get inside the tool; never immerse any part of the tool into a liquid.

Optional Accessories



WARNING: Since accessories, other than those offered by DEWALT, have not been tested with this product, use of such accessories with this tool could be hazardous. To reduce the risk of injury, only DEWALT recommended accessories should be used with this product.

Consult your dealer for further information on the appropriate accessories.

Protecting the Environment



Separate collection. Products and batteries marked with this symbol must not be disposed of with normal household waste.



Products and batteries contain materials that can be recovered or recycled reducing the demand for raw materials. Please recycle electrical products and batteries according to local provisions. Further information is available at www.2helpU.com.

Rechargeable Battery Pack

This long life battery pack must be recharged when it fails to produce sufficient power on jobs which were easily done before. At the end of its technical life, discard it with due care for our environment:

- Run the battery pack down completely, then remove it from the tool.
- Li-Ion cells are recyclable. Take them to your dealer or a local recycling station. The collected battery packs will be recycled or disposed of properly.

After Service and Repair

DeWALT service centers are staffed with trained personnel to provide customers with efficient and reliable product service. We do not take any responsibility when you have repaired in unauthorized service center. You can refer to the leaflet of CONTACT CENTER LOCATOR in product package and contact us through hotline, website or social media to find the nearest DeWALT service center around you.

12V锂电无刷电钻起子

DCD703

恭喜!

感谢您选购DEWALT工具。凭借多年的产品开发和创新能力，DEWALT 已经成为专业电动工具用户最可靠的合作伙伴之一。


技术数据

		DCD703
电压	V _{DC}	10.8 (最大12)
电池类型		锂离子
输出功率	W	250
空载转速		
1档	min ⁻¹	0-425
2档	min ⁻¹	0-1500
最大扭矩(硬/软)	Nm	57.5/25.5
夹头尺寸	mm	10
最大钻孔能力		
木质	mm	20
金属	mm	10
砌块	mm	-
重量(不包括电池组和钻头)	kg	0.73

电池				充电器/充电时间(分钟)					
目录号	伏特 直流	安时	重量 (千克)	DCB107	DCB112	DCB115	DCB117 DCB1112	DCB118	DCB132
DCB122	10.8 (最大12)	2.0	0.22	90	60	30	X	X	30
DCB124	10.8 (最大12)	3.0	0.25	140	90	45	X	X	45
DCB125	10.8 (最大12)	1.3	0.20	60	40	22	X	X	22
DCB126	10.8 (最大12)	5.0	0.43	240	150	75	X	X	75
DCB127	10.8 (最大12)	2.0	0.20	90	60	30	X	X	30


*日期码 201811475B 或以后


**日期码 201536 或以后


 **警告:** 为降低伤害风险, 请阅读使用手册。

定义: 安全指南


下列定义描述了各标志术语的严重程度。请仔细阅读本手册, 并注意这些标志。

 **危险:** 表示存在紧急危险情况, 如果不加以避免, 将导致死亡或严重伤害。

 **警告:** 表示存在潜在的危险情况, 如果不加以避免, 可能导致死亡或严重伤害。


 **小心:** 表示存在潜在危险情况, 如果不加以避免, 可能导致轻度或中度伤害。

注意: 表示存在不涉及人身伤害的情况, 如果不加以避免, 可能导致财产损失。

 表示存在触电风险。

 表示存在火灾风险。

电动工具通用安全警告

 **警告:** 请阅读本电动工具随附的所有安全警告、说明、图示和规定。未能遵照以下所列说明会导致电击、火灾和/或严重伤害。

保存所有警告和说明书以备查阅。

警告中的术语“电动工具”指市电驱动(有线)电动工具或电池驱动(无线)电动工具。

工作场地的安全

- 保持工作场地清洁和明亮。杂乱和黑暗的场地会引发事故。
- 不要在易爆环境, 如有易燃液体、气体或粉尘的环境下操作电动工具。电动工具产生的火花会点燃粉尘或气体。
- 操作电动工具时, 远离儿童和旁观者。注意力不集中会使你失去对工具的控制。

电气安全

- a) 电动工具插头必须与插座相配。绝不能以任何方式改装插头。需接地的电动工具不能使用任何转换插头。未经改装的插头和相配的插座将降低电击风险。
- b) 避免人体接触接地表面，如管道、散热片和冰箱。如果你身体接触接地表面会增加电击风险。
- c) 不得将电动工具暴露在雨中或潮湿环境中。水进入电动工具将增加电击风险。
- d) 不得滥用软线。绝不能用软线搬运、拉动电动工具或拔出其插头。使软线远离热源、油、锐边或运动部件。受损或缠绕的软线会增加电击风险。
- e) 当在户外使用电动工具时，使用适合户外使用的延长线。适合户外使用的电线将降低电击风险。
- f) 如果无法避免在潮湿环境中操作电动工具，应使用带有剩余电流装置(RCD)保护的电源。RCD的使用可降低电击风险。

人身安全

- a) 保持警觉，当操作电动工具时关注所从事的操作并保持清醒。当你感到疲倦，或在有药物、酒精或治疗反应时，不要操作电动工具。在操作电动工具时瞬间的疏忽会导致严重人身伤害。
- b) 使用个人防护装置。始终佩戴护目镜。防护装置，诸如适当条件下使用防尘面具、防滑安全鞋、安全帽、听力防护等装置能减少人身伤害。
- c) 防止意外启动。在连接电源和/或电池包、拿起或搬运工具前确保开关处于关闭位置。手指放在开关上搬运工具或开关处于接通时通电会导致危险。
- d) 在电动工具接通之前，拿掉所有调节钥匙或扳手。遗留在电动工具旋转零件上的扳手或钥匙会导致人身伤害。
- e) 手不要过分伸展。时刻注意立足点和身体平衡。这样能在意外情况下能更好地控制住电动工具。
- f) 着装适当。不要穿宽松衣服或佩戴饰品。让你的头发和衣服远离运动部件。宽松衣服、配饰或长发可能会卷入运动部件。
- g) 如果提供了与排屑、集尘设备连接用的装置，要确保其连接完好且使用得当。使用集尘装置可降低尘屑引起的危险。
- h) 不要因为频繁使用工具而产生的熟悉感而掉以轻心，忽视工具的安全准则。某个粗心的动作可能在瞬间导致严重的伤害。

电动工具使用和注意事项

- a) 不要勉强使用电动工具，根据用途使用合适的电动工具。选用合适的按照额定值设计的电动工具会使你工作更有效、更安全。
- b) 如果开关不能接通或关断电源，则不能使用该电动工具。不能通过开关来控制的电动工具是危险的且必须进行修理。
- c) 在进行任何调节、更换附件或贮存电动工具之前，必须从电源上拔掉插头和/或卸下电池包(如可拆卸)。这种防护性的安全措施降低了电动工具意外起动的风险。

- d) 将闲置不用的电动工具贮存在儿童所及范围之外，并且不允许不熟悉电动工具和不了解这些说明的人操作电动工具。电动工具在未经培训的使用者手中是危险的。
- e) 维护电动工具及其附件。检查运动部件是否调整到位或卡住，检查零件破损情况和影响电动工具运行的其他状况。如有损坏，应在使用前修理好电动工具。许多事故是由维护不良的电动工具引发的。
- f) 保持切削刀具锋利和清洁。维护良好地有锋利切削刃的刀具不易卡住而且容易控制。
- g) 按照使用说明书，并考虑作业条件和要进行的作业来选择电动工具、附件和工具的刀头等。将电动工具用于那些与其用途不符的操作可能会导致危险情况。
- h) 保持手柄和握持表面干燥、清洁，不得沾有油脂。在意外的情况下，湿滑的手柄不能保证握持的安全和对工具的控制。

电池式工具使用和注意事项

- a) 仅使用生产者规定的充电器充电。将适用于某种电池包的充电器用到其他电池包时可能会发生着火危险。
- b) 仅使用配有专用电池包的电动工具。使用其他电池包可能会产生伤害和着火危险。
- c) 当电池包不用时，将它远离其他金属物体，例如回形针、硬币、钥匙、钉子、螺钉或其他小金属物体，以防电池包一端与另一端连接。电池组端部短路会引起燃烧或着火。
- d) 在滥用条件下，液体可能会从电池组中溅出，应避免接触。如果意外碰到液体，用水冲洗。如果液体碰到了眼睛，还应寻求医疗帮助。从电池中溅出的液体可能会发生腐蚀或燃烧。
- e) 不要使用损坏或改装过的电池包或工具。损坏或改装过的电池组可能呈现无法预测的结果，导致着火、爆炸或伤害。
- f) 不要将电池包暴露于火或高温中。电池包暴露于火或高于130°C的高温中可能导致爆炸。
- g) 请遵循所有充电说明，请勿在说明中规定的温度范围以外的环境对电池包或工具充电。不当或在指定范围以外的温度下充电，可能导致电池损坏并增加火灾风险。

维修

- a) 让专业维修人员使用相同的备件维修电动工具。这将保证所维修的电动工具的安全。
- b) 决不能维修损坏的电池包。电池包仅能由生产者或其授权的维修服务商进行维修。

所有操作的安全说明

- 带耳罩进行冲击作业。暴露于噪声环境会导致失聪。
- 当在钻削附件可能触及暗线之处进行操作时，要通过绝缘握持面来握持工具。钻削附件碰到带电导线会使工具外露的金属零件带电从而使操作者受到电击。

使用长钻头时的安全须知

- 操作速度切勿高于钻头的最大额定转速。在更高的转速下，如果让钻头在不接触工件的情况下自由旋转，可能会导致弯曲，从而造成人身伤害。
- 在钻头尖端与工件接触时以低速开始钻孔。在更高的转速下，如果让钻头在不接触工件的情况下自由旋转，可能会导致弯曲，从而造成人身伤害。
- 仅在与钻头直接接触的地方施加压力，不要施加过多的压力。钻头可能会弯曲，引发断裂或失去控制，造成人身伤害。

关于钻头的其他安全警告

- 使用夹具或其他切实可行的方法，将工件固定并支撑在稳定的平台上。用手扶住或身体顶住工件是不稳定的，可能导致失控。
- 配件和工具在操作过程中可能会变热。如果进行金属钻孔等产生热量的操作，请戴上手套。
- 通风口往往有移动部件，应避免使用。松散的衣服、珠宝或长发可能会被卷入移动部件。

剩余风险

尽管遵守了相关的安全法规并采用了安全装备，某些剩余风险仍然是无法避免的。这些风险包括：

- 听力损伤。
- 飞溅颗粒造成的人身伤害风险。
- 使用时附件发热导致的灼伤风险。
- 长时间使用引起的人身伤害风险。

请妥善保管好这些说明

充电器

DEWALT 充电器无需做出任何调整，专为简易操作而设计。

电气安全

电机只适用一种工作电压。请务必检查电池包的电压是否和铭牌上的电压一致。请务必检查电池包的电压是否和铭牌上的电压一致。



DEWALT 充电器符合 IEC60335 双重绝缘要求，因此无需使用接地线。

如果电源线损坏，必须仅由 DEWALT 或授权的维修机构负责更换。

使用延长线

除非绝对必要，否则请勿使用延长线。使用适合您的充电器输入功率的合格延长线（请参阅技术数据）。最小的导线尺寸为1平方毫米；最大长度为30米。

使用电缆卷筒时，请务必拉出所有的电缆。

针对所有电池充电器的重要安全说明

请妥善保管好这些说明：本手册包含重要的兼容电池充电器安全和操作说明（请参阅技术数据）。

- 在使用充电器之前，请先阅读所有指示以及充电器、电池包和使用电池包的产品上的警告标记。



警告：电击危险。请勿让任何液体进入充电器，否则可能会导致触电。



警告：我们建议使用漏电保护额定电流为30毫安或以下的漏电保护装置。



小心：烧伤危险。为降低人身伤害风险，请仅使用 DEWALT 充电式电池充电。使用其它类型的电池可能会引起爆裂，并导致人身伤害和损害。



小心：应看管好儿童，以确保他们不将此设备当做玩具来玩。

注意：在某些情况下，当充电器的插头插入电源插座时，充电器内部裸露的充电接触点可能因为外来物件而短路。请勿让能导电的异物靠近充电器腔，这些外来物件包括但不限于钢棉、铝箔或任何金属颗粒的堆积物。充电器内没有电池包时，请断开充电器与电源的连接。清洗前，务必拔掉充电器。

- 请勿试图使用本手册指定的充电器以外的其他任何充电器为电池包充电。充电器和电池包都是专门设计的，互相配合使用。

- 除了为 DEWALT 充电式电池充电以外，这些充电器并非设计用于其他用途。否则，可能会导致火灾、触电或电击。

- 请勿将充电器暴露于雨中或雪中。

- 断开充电器连接时，应捏住插头将其拔下，而非通过拉拽电源线拔下插头。这将降低对电插头和电线的损害风险。

- 确保电源线布置在不易踩踏、绊摔、拉扯或会受到损害或压力的位置。

- 除非绝对必要，否则请勿使用延长线。使用不正确的延长线可能导致火灾、触电或电击的风险。

- 请勿将任何物件放在充电器上面，或是把充电器放在可能会堵住通风槽的柔软表面，导致充电器的内部过热。请把充电器放置在远离任何热源的地方。充电器通过外壳顶端和底端的槽进行通风。

- 请勿使用电源线或插头已损坏的充电器，请立即更换这些充电器。

- 如果充电器受到强烈重击、掉落或出现其他损坏情况，请勿使用充电器。请将损坏的充电器送到授权服务中心。

- 请勿自行拆卸充电器。请将需要检修或修理的充电器送到授权服务中心。重装不正确可能导致触电、电击或火灾风险。

- 必须立即将已损坏的电源线交由制造商、服务代理或类似的合格人员进行更换以防止安全隐患。

- 清洁前，请先断开充电器和插座的连接，以降低触电风险。取出电池包不会降低此风险。

- 不得将两个充电器连接在一起。

- 充电器是为 220-240V 的标准家用电源而设计。请勿试图在任何其他电压下使用充电器。此规则不适用于车载充电器。

为电池充电 (图 B)

- 插入电池包前，先将充电器的插头插到相应的电源插座上。
- 将电池包插入到充电器中，确定电池包完全就位。红色（充电中）指示灯将不断闪烁，表示充电过程已经开始。

3. 灯持续常亮表示充电完成。电池组已充满电, 此时可使用或留在充电器中。要从充电器上取下电池包, 请按下电池包上的电池释放按钮。

注意: 为了确保锂离子电池的效能和使用寿命最大化, 在首次使用电池包之前必须将其完全充电。

充电器操作

关于电池包的充电状态, 请参阅以下指示灯说明。

充电状态指示灯



* 红色指示灯会继续闪烁, 但黄色指示灯在本次操作过程中会亮起。电池包达到适当温度后, 黄色指示灯会熄灭, 充电器将恢复充电程序。

兼容充电器不会对故障电池包充电。

充电器指示灯不亮时表示电池有故障。

注意: 这可能也表示充电器有问题。

如果充电器提示存在故障, 请将充电器和电池包送到授权的服务中心进行测试。

热/冷电池包延迟

当充电器检测到电池包过热或过冷时, 它会启动热/冷电池延迟模式, 暂停充电, 直到电池包达到适当的温度。然后, 充电器会自动切换到电池包充电模式。此功能可确保电池包拥有最长的使用寿命。

冷电池包充电速度比热电池包充电速度慢。电池包在整个充电周期的充电速度都会较慢, 即使电池包升温也不会恢复到最大速度。

电子保护系统

XR锂离子电池工具采用了电子保护系统设计, 可让电池包免受过载、过热或过度放电之害。

如果电子保护系统处于运作状态, 该工具将自动停止操作。如果发生这种情况, 请将锂离子电池包放在充电器上, 直至其完全充电。

壁挂式安装

这些充电器设计为可以安装在墙上, 也可以直立在桌面或工作台上。如果安装在墙上, 请确保充电器的位置可以连接到电源插座, 并且远离墙角或其他可能妨碍空气流通的障碍物。将充电器背面作为在墙上安装螺丝的位置模板。使用至少 25.4 毫米长、螺丝帽直径至少 7.9 毫米的石膏板螺丝 (单独购买) 牢牢固定充电器, 将螺丝最大限度钉入木材, 预留约 5.5 毫米露在墙外。将充电器背面的安装槽对准露出的螺丝, 完全放置到位。

充电器清洁说明

警告: 电击危险。 清洁前, 请将充电器从交流电源插座上拔下。可用布或非金属软刷清除充电器外部的污垢和油脂。请勿使用水或任何清洁剂。不得让任何液体渗入工具, 不得让工具的任何部件浸在液体中。

电池包

针对所有电池包的重要安全说明

在订购更换电池包时, 请务必附上目录型号和电压。

包装箱内的电池包并未完全充电。使用电池包和充电器之前, 请阅读下列安全说明, 然后遵循所述的充电程序。

READ ALL INSTRUCTIONS

- 请勿在易爆环境, 如有易燃液体、气体或粉尘的环境中充电或使用电池。在充电器中插入或取出电池时可能会点燃粉尘或气体。
- 不得强行将电池放进充电器。请勿以任何方式改装电池包并将电池包插入不兼容的充电器, 这种操作可能会导致电池包破裂, 造成严重的人身伤害。
- 只使用 DEWALT 充电器为电池充电。
- 请勿喷溅电池包或将其浸泡在水或其他液体中。
- 请勿在温度可能降至 4°C (39.2°F) 的地方 (如冬天户外的棚子或金属建筑物中) 或达到或超过 40°C (104°F) 的地方 (如夏天户外的棚子或金属建筑物中) 存储或使用工具和电池包。
- 即使电池包严重受损或完全损坏, 也请勿焚化电池包。电池包在火中会发生爆炸。锂离子电池包在燃烧时会释放有毒气体和物质。
- 如果电池液体接触到皮肤, 请立即以中性肥皂和清水冲洗接触的地方。如果电池液体不慎进入眼睛, 应睁开眼睛并用清水冲洗至少 15 分钟或直到刺激感消失。如果需要医疗救助, 请告知医护人员。电池电解质由液状有机碳酸盐和锂盐的混合物组成。
- 已打开电池的**内部物质**可能导致呼吸道刺激。请保持空气流通。如果症状持续存在, 请就医。



警告: 烧伤危险。 电池液如果接触到火花或火焰可能会燃烧。



警告: 不得以任何理由试图打开电池包。电池包外壳破裂或损坏时, 请勿将电池包插入充电器。请勿挤压、掉落或损坏电池包。请勿使用受过强烈重击、掉落、碾压或以任何其它方式 (如被钉子穿破、受到锤子的重击、踩踏) 受损的电池包或充电器。否则可能会引起触电或电击。损坏的电池包应送回服务中心进行回收。



警告: 火灾危险。 请勿在存储或搬运电池包时让金属物品接触暴露的电池两极。例如, 请勿将电池包放在围裙、口袋、工具箱、产品套件盒、抽屉等可能与散钉、螺丝、钥匙等物品接触的地方。



小心: 不使用时, 应将工具侧放在稳定的表面上, 以免造成绊倒或坠落的危险。 一些带有大型电池组的工具可以直立在电池组上, 但可能很容易被撞倒。

运输



警告: 火灾危险。 电池运输途中, 如果电池两极意外接触导电材料, 可能会引发火灾。运输电池时, 务必保护电池两极, 确保与可能接触电池导致短路的材料良好绝缘。**注意:** 不应将锂离子电池放入托运行李中。

DEWALT 电池符合所有适用的行业和法律标准规定的运输规范,包括《联合国危险品运输建议规章范本》(UN Recommendations on the Transport of Dangerous Goods)、《国际航空运输协会 (IATA) 危险品规则》(International Air Transport Association (IATA) Dangerous Goods Regulations)、《国际海运危险品 (IMDG) 规则》(International Maritime Dangerous Goods (IMDG) Regulations) 和《欧洲危险货物国际公路运输协定》(European Agreement Concerning The International Carriage of Dangerous Goods by Road) (ADR)。离子电池和电池包已遵循《联合国危险品运输建议规章范本手册》第 38.3 节关于测试和标准的说明通过测试。

大多数情况下,发运 DEWALT 电池包不属于完全管制的 9 类危险品。通常情况下,只有当运输包含一个能量等级大于 100 瓦时 (Wh) 的锂离子电池时,才需要作为完全管制的 9 类危险品发运。所有锂离子电池外壳上均标注有瓦时等级。此外,由于法规比较复杂,无论瓦时等级是多少,DEWALT 都不建议单独空运锂离子电池包。发运包含电池的工作(组合套件)时,如果电池包的能量等级不大于 100 瓦时 (Wh),则可以按计划空运。

无论发运是否纳入完全管制范围内,运输公司均有责任遵循最新法规中关于包装、标签/标记和单据的要求。本手册本节的信息是出于善意提供,且认为在编制文档时准确无误。不提供明示或暗示的担保。购买方负有确保其行为遵守适用法规的责任。

存放建议

1. 最好将电池存放在阴凉、干燥、远离阳光直射、不会过热或过冷的地方。为了获得最佳的电池性能和使用寿命,请您在不使用电池包时将其存储在室温下。
2. 长期存储时,建议将完全充电的电池包从充电器取出,存储在阴凉、干燥的地方,以达到最佳效果。

注意: 电池包不应在电池已完全耗尽的状态下存放。使用电池包之前,必须重新为电池包充电。

充电器和电池包上的标签

除了在本手册中所使用的标志,充电器和电池包的标签还包括:



使用前请阅读使用手册。



如需了解充电时间详细信息,请参阅**技术数据**。



请勿使用导电物体戳刺。



请勿对损坏的电池包充电。



请勿将其暴露于水中。



应立即更换有缺陷的电线。



请只在 4°C 和 40°C 之间的温度下充电。



只能在室内使用。



弃置电池包时,请妥善处理以保护我们的环境。



只使用 DEWALT 充电器为电池充电。使用 DEWALT 充电器为非 DEWALT 电池充电可能会导致电池爆炸或出现其他危险情况。



请勿加热电池包。

电池类型

以下工具使用 12 伏特的电池组: DCD703。

可使用这些电池组: DCB122、DCB124、DCB125、DCB126、DCB127。更多信息,请参考**技术数据**。

包装内的物品

包装中包含:

- 1 个 钻头/起子
- 1 个 10 mm 的夹头附件
- 1 个 6.35 mm 的六角直角附件
- 1 个 6.35 mm 的六角快速释放附件
- 1 个 6.35 mm 的六角快速释放偏移附件
- 1 个 充电器
- 1 个 锂离子电池组 (C1、D1、G1、L1、M1、P1、S1、T1、X1、Y1 型号)
- 2 个 锂离子电池组 (C2、D2、G2、L2、M2、P2、S2、T2、X2、Y2 型号)
- 3 个 锂离子电池组 (C3、D3、G3、L3、M3、P3、S3、T3、X3、Y3 型号)
- 1 本 使用手册

注意: 电池包、充电器和工具箱没有随 N 型号附送。电池包和充电器没有随 NT 型号附送。B 型号包括 BLUETOOTH® 电池包。

注意: BLUETOOTH® 标志和徽标是注册商标,归 BLUETOOTH®, SIG, INC. 所有,而且 DEWALT 对该标志的任何使用均获得许可。其他商标和商标名均归各自所有者所有。

- 检查工具、部件或附件是否在运输过程中损坏。
- 操作前,请抽空仔细阅读并掌握本手册。

工具上的标记

工具上印有下列图形:



使用前请阅读使用手册。



请佩戴听力保护器。



请佩戴护目装备。



可见辐射。请勿盯着光看。

日期代码位置(图B)

包含制造年份的日期码, 打印在工具外壳上。

示例:

2022 XX XX
制造年份和周

说明(图A)

警告:不得改装本电动工具或其任何部件, 否则可能会导致损坏或人身伤害。

- 1 电池组
- 2 电池释放按钮
- 3 无级变速开关
- 4 正/反转控制按钮
- 5 扭矩调节环
- 6 调档开关
- 7 工作灯
- 8 10 mm夹头附件
- 9 6.35 mm六角直角附件
- 10 6.35 mm六角快速释放附件
- 11 6.35 mm六角快速释放偏移附件

设计用途

这些钻头/驱动器是专为钻孔和螺钉驱动应用。

请勿在潮湿环境中, 或在存在易燃液体或气体的环境中使用本工具。

这些钻头/驱动器是专业的电动工具。

请勿让儿童接触本工具。缺乏经验的操作员需要在监督下使用本工具。

- **儿童和体弱者。**在没有他人监督的情况下, 儿童或体弱者不适宜使用本产品。
- 本产品不适合体力、感官或智力不足以及缺乏经验、知识或技能的人员(包括儿童)使用, 除非一旁有能为他们的安全负责的监督人员。不得在无人监督的情况下让儿童接触本产品。

组装与调整

警告:为降低严重的人身伤害风险, 在进行任何调整或取出/安装附件或配件之前, 请关闭工具并断开电池包连接。意外启动可能会导致人身伤害。

警告:仅使用 DEWALT 电池包和充电器。

插入或取出工具上的电池包(图B)

注意: 确保电池包 1 充满电。

要将电池包安装到工具手柄中

1. 将电池包 1 对准工具手柄内的轨道(图B)。
2. 将电池包滑入手柄内, 使其牢牢地固定在工具内, 并确保您听到其锁定到位的声音。

从工具中取出电池包

1. 按下电池释放按钮 2, 将电池包从工具握柄中稳妥地拉出。
2. 按本手册充电器部分所述将电池包插入充电器中。

电池包电量计(图B)

一些 DEWALT 电池包带有一个包含三个绿色 LED 指示灯的电量计, 用于指示电池包内的剩余电量。

按下电量计按钮 13 不松开, 即可启动电量计。三个绿色 LED 指示灯将以组合方式亮起, 以指示剩余电量。当电池内的电量低于可用限制时, 电量计将不会亮起, 电池将需要重新充电。

注意: 电量计仅指示电池包的剩余电量。它并不表示该工具的功能, 且将根据产品组件、温度和最终使用者的使用情况而有所不同。

皮带钩(图C)

包括某些型号

警告:为减少严重人身伤害的风险, 仅可用皮带钩将工具挂在工作带上。使用过程中, 切勿用皮带钩将工具拴在或固定在人或物体上。切勿将工具悬挂在头顶或将物体悬挂在皮带钩上。

警告:为了减少人身伤害的风险, 请确保固定皮带钩的螺钉紧固。

重要事项:在固定或更换皮带钩时, 仅可使用随附的螺钉。一定要牢固地拧紧螺钉。

为了适应惯用左手或惯用手右手的用户, 用提供的 16 螺钉将皮带钩 15 固定在工具的任何一侧。如果完全不需要皮带钩, 可将其从工具上取下。

若要移动皮带钩, 请拆下固定其的螺钉 16, 然后在另一侧重新安装。一定要牢固地拧紧螺钉。

安装和拆卸附件(图A、D)

警告:电击危险。在任何情况下, 本产品都不能靠近水使用。

警告:烧伤危险。使用过程中, 动力装置内的移动部件会变热。拆除和安装配件时, 应避免接触动力装置内的移动部件。

警告:组装之前, 将正向/反向滑块调到中间位置, 锁定动力装置, 并从工具上卸下电池。在拆卸或安装附件之前, 请从附件上取下任何配件。

1. 沿箭头方向拉回附件上的锁紧套筒 18。
2. 将附件滑到主轴 19 上, 将附件上的插槽 20 与主轴上的吊耳 21 对齐。
注意: 一旦到达主轴上, 需要将附件旋转一下, 使插槽与吊耳对齐。10 MM夹头附件 8 无需对齐任何插槽。
3. 要卸下附件, 沿箭头方向拉回锁紧套筒, 并从主轴上卸下附件。

注意: 可在6.35 mm六角直角附件 9 主轴上安装其他附件。在工具上安装了6.35 mm的六角直角附件后, 按照本节的说明1和2安装其他附件。

注意: 仅可使用专门为动力装置设计并与之兼容的附件。使用动力装置操作附件之前, 请参考各个附件的使用说明, 了解具体的安全警告和操作说明。

将钻头或配件安装到自紧式夹头中 (图 E)

警告: 请勿试图通过握住夹头的前部并打开工具来拧紧钻头 (或任何其他配件)。可能会导致夹头受损和人身伤害。更换配件时, 一定要锁定触发器开关, 并将工具与电源断开。

警告: 启动工具之前, 请确保钻头安全。松动的钻头可能会从工具中弹出, 造成人身伤害。

您的工具有一个自紧式夹头, 带有一个旋转套筒 **14**, 可以单手操作夹头。要插入钻头或其他配件, 请遵循以下步骤。

1. 关闭工具, 取出电池组。
2. 用一只手抓住夹头的黑色套筒, 用另一只手固定工具。逆时针旋转套筒, 使其适应所需的配件。
3. 将配件插入夹头约19mm, 用一只手顺时针旋转夹头套筒, 同时用另一只手握住工具, 将其牢牢拧紧。您的工具配备了一个主轴自动锁紧机制。因此, 您可用一只手打开和关闭夹头。

确保用一只手握住夹头套筒, 一只手握住工具拧紧夹头, 以达到最大的紧固效果。

若要卸下配件, 请重复上述步骤1和2。

安装无附件的钻头或配件 (图 E)

您可以在安装附件时使用您的工具。

将六角钻头直接插入主轴 **19**。它是用磁力固定的。

转速选择 (图 A)

该工具可设置两种速度, 具有更大的通用性。

注意: 在工具运行时, 不要更改转速。更改转速之前, 一定要让工具完全停下来。


1. 要选择速度1 (高扭矩设置), 关闭工具并让其停下来。向后滑动调档开关 **6** (远离夹头)。
2. 要选择速度2 (高速设置), 关闭工具并让其停下来。向前滑动调档开关 **6** (朝向夹头)。

如果工具没有更改转速, 请确认速度选择开关完全处于向前或向后的位置。

模式选择 (图 A)

模式选择环 **5** 可根据计划的应用程序, 选择正确的操作模式。

要进行选择, 旋转模式选择环直到所需的符号与箭头对齐。

符号	模式
	钻孔
1-15	拧紧螺钉 (数字越大=扭矩越大)

变速触发器和正向/反向控制按钮 (图 A)

通过拉动和松开变速触发器开关 **3**, 开启和关闭工具。触发器压得越远, 工具的转速就越高。您的工具配备了制动器。一旦触发开关完全释放, 夹头就会停止。

正向/反向控制按钮 **4** 决定了工具的旋转方向, 也可作为锁定关闭按钮。

- 要选择正向旋转 (顺时针), 释放触发器并按下工具右侧的正向/反向控制按钮。
- 要选择反向旋转 (逆时针), 请按下工具左侧的正向/反向控制按钮。

注意: 控制按钮的中心位置将工具锁定在关闭位置。改变控制按钮的位置时, 请确保触发器已释放。

注意: 不建议在变速范围内连续使用。可能会损坏开关, 应予以避免。

注意: 改变旋转方向后第一次运行工具时, 您可能会听到启动时的咔哒声。这是正常现象, 并不表示存在任何问题。

操作

使用说明

警告: 务必遵守安全指示和适用法规。

警告: 为降低严重的人身伤害风险, 在进行任何调整或取出/安装附件或配件之前, 请关闭工具并断开电池包连接。意外启动可能会导致人身伤害。

正确的双手放置位 (图 F)

警告: 为了减低严重人身伤害的风险, 请务必如图示那样正确放置双手。

警告: 为了减低造成严重人身伤害的风险, 预期有突然反作用力时务必握紧。

手部的正确位置应该是一只手放在主手柄上, **17** 一只手放在电池组上。

工作灯 (图 A)

在工具的底部有一个工作灯 **7**。按下触发器开关时, 会激活工作灯。释放触发器时, 工作灯将保持照明, 最长可达20秒。

注意: 工作灯用于直接作业面照明, 不用作手电筒。

进行应用 (图 A)

警告: 为了降低人身伤害的风险, 一定要确保紧固或加牢工件。

警告: 改变旋转方向前, 一定要等电机完全停下来。

进行工作之前:

- 设置转速选择器 **6**。请参考 **转速选择**。
- 请将适当的钻头或配件装入夹头。请参考 **将钻头或配件安装到自紧式夹头中**。

- 警告:**
- 切勿用该工具混合或泵送易燃易爆的液体 (如汽油、酒精等)。
 - 切勿混合或搅拌有相应标签的易燃液体。

拧紧螺钉

您的工具有一个可调扭矩的离合器, 可以驱动和拆卸各种形状和尺寸的紧固件。模式选择环 **5** 上的数字是用于设定拧紧螺钉的扭矩范围。环上的数字越大, 扭矩越大, 可驱动的紧固件也越大。


1. 将模式选择环 **5** 转到所需位置。请参考 **模式选择**。
2. 拉动触发器开关，与钻头成一直线施加压力，直到紧固件在工件中达到所需深度。

拧紧螺钉的建议

- 从较低的扭矩设置开始，然后逐步推进到较高的扭矩，以避免对工件或紧固件造成损坏。
- 在废品或工件上不可见区域上进行一些练习，从而将模式选择环调整到正确的位置。

钻孔

1. 将模式选择环 **5** 转到钻头符号处。请参考 **模式选择**。
2. 将钻头与工件接触。**注意：**仅可使用锋利的钻头。
3. 拉动触发器，与钻头成一直线施加压力，直至达到所需深度。

 **警告：**钻头超负荷可能会停转，造成突然扭转。一定要预料到停转的情况。握紧钻头控制扭转动作，避免受伤。


4. 将钻头从钻孔中拉出时，保持电机运转，以防止卡住。

钻孔的建议

- 钻孔时，一定要与钻头在一条直线上施加压力，但不要用力过大，以免电机停转或钻头偏转。
- **如果钻头停转：**
 - **立即释放触发器开关**，将钻头从工作中移开，并确定停转的原因。
 - **请勿试图打开或关闭触发器开关，以打开停转的钻头，否则会损坏钻头。**
 - 为了尽量减少停转或破坏材料，应减少对钻头的压力，使钻头轻松通过孔的最后一小部分。
- 如果先钻一个先导孔（4 mm至4.8 mm），可使钢材上的大孔（7.9 mm至12.7 mm）变得更容易通过。
- 如果钻孔较薄的材料或容易劈裂的材料，可使用木质垫板，以防损坏工件。

维护

您的电动工具设计精良，可以长期使用，仅需极少维护。若要持续令人满意的工作效果，则需对工具进行适当的保养和定期清洁。

 **警告：**为降低严重的人身伤害风险，在进行任何调整或取出/安装附件或配件之前，请关闭工具并断开电池包连接。意外启动可能会导致人身伤害。

充电器和电池包无法维修。





润滑

本电动工具无需另行润滑




清洁

 **警告：**一旦看到通风口及其周围积聚了尘屑，请用干燥的空气将灰尘和尘屑从主机外壳内吹出。执行此过程时，需戴上经认可的护目装备和防尘面具。

 **警告：**不得使用溶剂或其它刺激性化学制品来清洁工具的非金属部件。这些化学物质可能会削弱这些部位使用的材料。请用布蘸温和的肥皂水擦拭。不得让任何液体渗入工具，不得让工具的任何部件浸在液体中。

可选配件

 **警告：**除了 DEWALT 提供的附件之外，其他附件都未经此产品兼容性测试，若将此类附件与本工具一起使用将存在安全隐患。为降低人身伤害风险，本产品只可使用 DEWALT 推荐的附件。

请向您的经销商咨询更多关于合适附件的信息。

保护环境



分类回收。由此符号标记的产品和电池不得与普通家庭垃圾一起处理。

产品和电池包含可恢复或回收的材料，从而降低对原材料的需求。请根据当地规定回收电子产品和电池。要获得更多信息，请参看 www.2helpU.com。

充电式电池包

本电池包使用寿命长，不能提供顺利完成工作所需的电力时，必须进行充电。电池技术寿命结束时，请妥善处理以保护环境：

- 耗尽电池包的电力，然后将其从工具上拆下。
- 锂离子电池是可回收的。请将它们送往您的经销商处或当地的回收站。回收的电池包将被妥善循环使用或处理。

售后服务和维修

DEWALT 维修中心拥有经过培训的人员，能够为顾客提供充分、可靠的产品服务。如果您通过未获授权的维修中心进行维修，我们不会承担任何责任。您可以参见产品包装中的“联系中心定位器”宣传页，通过热线电话、网站或社交媒体联系我们，找到距离您最近的 DEWALT 服务中心。

制 造 商：百得美国公司

地 址：701 E Joppa Rd, TW050 MD21286, Towson, 美国

产 地：江苏苏州

产品中有害物质的名称及含量

部件名称	有害物质					
	铅 (Pb)	汞 (Hg)	镉 (Cd)	六价铬 (Cr(VI))	多溴联苯 (PBB)	多溴二苯 醚 (PBDE)
马达组件	0	0	0	0	0	0
机壳组件	0	0	0	0	0	0
控制部件 (开关, PCB 等)	X	0	0	0	0	0
传动部件	0	0	0	0	0	0
电池包	X	0	0	0	0	0
充电器	X	0	0	0	0	0
附件 (钻头/砂轮片 等)	0	0	0	0	0	0
电线组件	X	0	0	0	0	0

本表格依据 SJ/T 11364 的规定编制。

O: 标识该有害物质在该部位所有均质材料中的含量均在 GB/T 26572 规定的限量要求以下。

X: 标识该有害物质至少在该部位的某一均质材料中的含量超出 GB/T 26572规定的限量要求

备注: 本产品不必包含以上所述的所有部件。由于生产工艺和技术的不可替代性, 本产品中含有某些有害物质, 在环保使用期限内可以放心使用, 超过环保使用期限之后则应进入回收循环系统。

环保使用期限为“电子电气产品中含有的有害物质不会发生外泄或突变, 电子电气产品用户正常使用该电子电气产品不会对环境造成严重污染或对其人身、财产造成严重损害的期限”。



: 环保使用期限为 20 年。此环保使用期限不代表产品的安全使用期限和质量保证年限。

