

**DEWALT**®

**XR LI-ION**

**WWW.DEWALT.COM**

**DCD701**

---

English	3
简体中文	13
繁體中文	21
한국어	28

---

Fig. A  
图 A  
圖 A  
그림 A

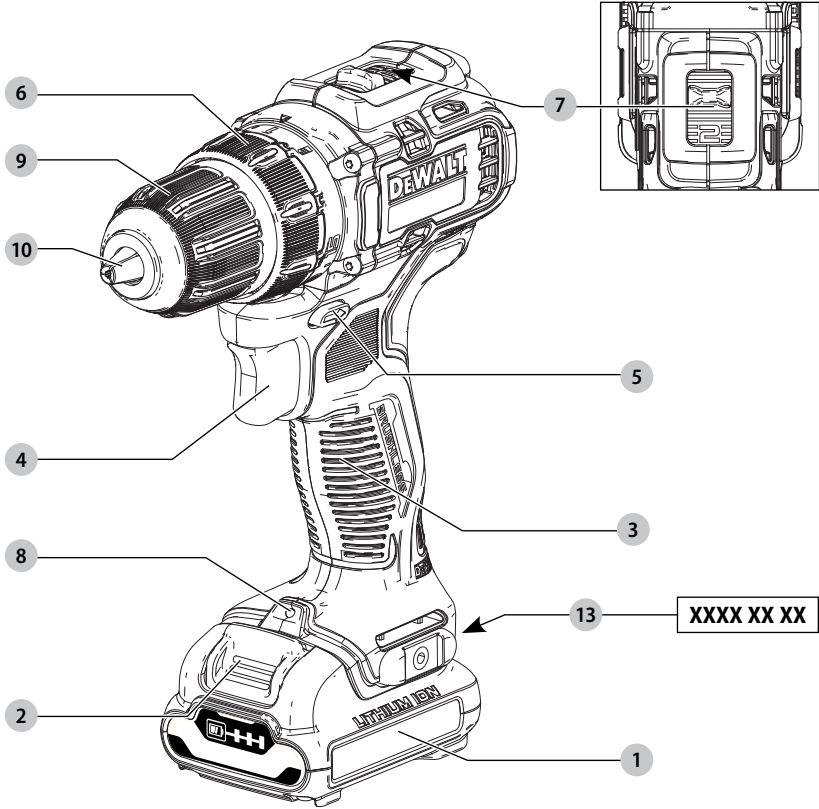


Fig. B  
图 B  
圖 B  
그림 B

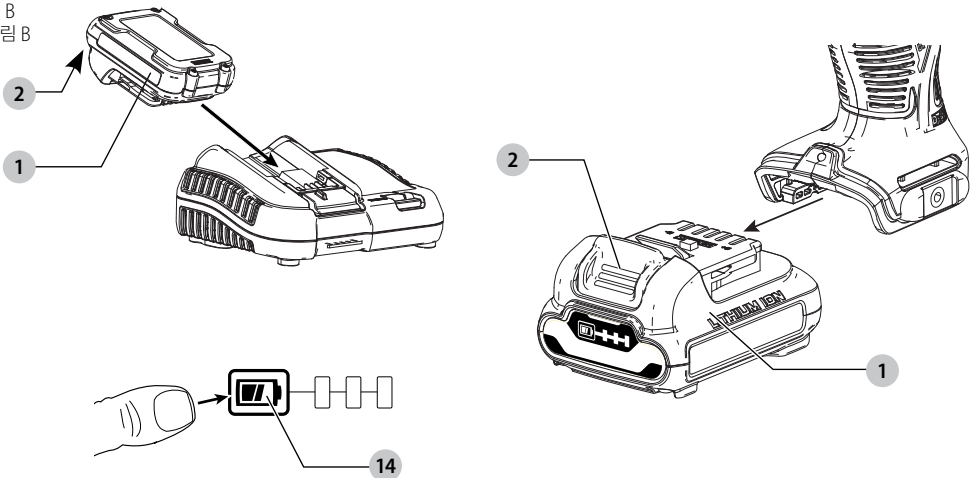


Fig. C  
图 C  
圖 C  
그림 C

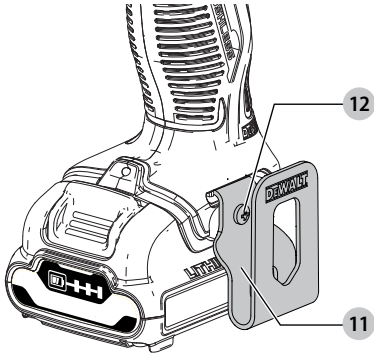


Fig. D  
图 D  
圖 D  
그림 D

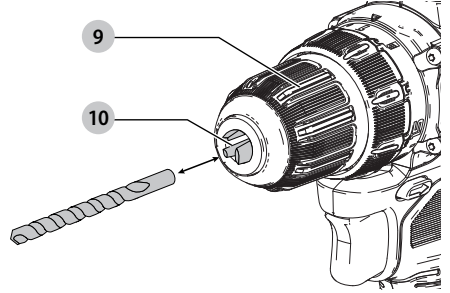


Fig. E  
图 E  
圖 E  
그림 E

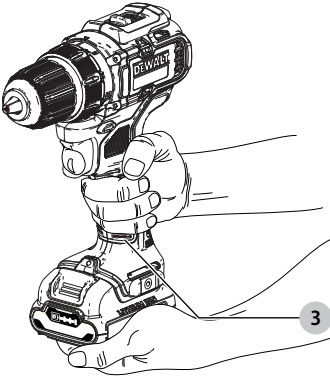
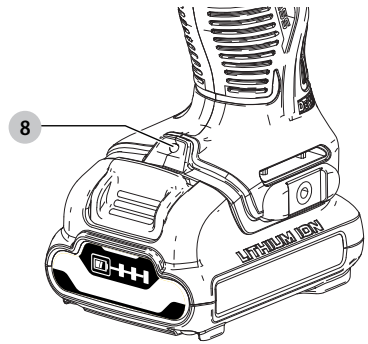


Fig. F  
图 F  
圖 F  
그림 F



# SUB-COMPACT DRILL/DRIVER

## DCD701

### Congratulations!

You have chosen a DEWALT tool. Years of experience, thorough product development and innovation make DEWALT one of the most reliable partners for professional power tool users.

### Technical Data

		DCD701
Voltage	V <sub>DC</sub>	10.8(12 MAX)
Battery type		Li-Ion
Power output	W	250
No-load speed		
1st gear	min <sup>-1</sup>	0–425
2nd gear	min <sup>-1</sup>	0–1500
Max. Torque (hard/soft)	Nm	57.5/23.5
Chuck capacity	mm	10
Maximum drilling capacity		
Wood	mm	20
Metal	mm	10
Weight (without battery pack)	kg	0.87

Maximum initial battery voltage (measured without a workload) is 12 volts. Nominal voltage is 10.8 volts.

### Definitions: Safety Guidelines

The definitions below describe the level of severity for each signal word. Please read the manual and pay attention to these symbols.



**DANGER:** Indicates an imminently hazardous situation which, if not avoided, **will** result in **death or serious injury**.



**WARNING:** Indicates a potentially hazardous situation which, if not avoided, **could** result in **death or serious injury**.



**CAUTION:** Indicates a potentially hazardous situation which, if not avoided, **may** result in **minor or moderate injury**.

**NOTICE:** Indicates a practice **not related to personal injury** which, if not avoided, **may** result in **property damage**.



Denotes risk of electric shock.



Denotes risk of fire.

Batteries				Chargers / Charge Times (Minutes)					
Cat#	V <sub>DC</sub>	Ah	Weight(kg)	DCB104	DCB107	DCB110	DCB112	DCB115	DCB132
DCB122/DCB127	10.8 (12 Max)	2.0	0.22	30	90	90	60	30	30
DCB123	10.8 (12 Max)	1.5	0.20	23	70	70	45	23	23
DCB124/G	10.8 (12 Max)	3.0	0.25	45	140	140	90	45	45
DCB126/G	10.8 (12 Max)	5.0	0.44	75	240	240	150	75	75

## GENERAL POWER TOOL SAFETY WARNINGS



**WARNING:** Read all safety warnings, instructions, illustrations and specifications provided with this power tool. Failure to follow all instructions listed below may result in electric shock, fire and/or serious injury.

### SAVE ALL WARNINGS AND INSTRUCTIONS FOR FUTURE REFERENCE.

The term "power tool" in the warnings refers to your mains-operated (corded) power tool or battery-operated (cordless) power tool.

#### 1) Work Area Safety

- a) **Keep work area clean and well lit.** Cluttered or dark areas invite accidents.
- b) **Do not operate power tools in explosive atmospheres, such as in the presence of flammable liquids, gases or dust.** Power tools create sparks which may ignite the dust or fumes.
- c) **Keep children and bystanders away while operating a power tool.** Distractions can cause you to lose control.

#### 2) Electrical Safety

- a) **Power tool plugs must match the outlet. Never modify the plug in any way. Do not use any adapter plugs with earthed (grounded) power tools.**  
Unmodified plugs and matching outlets will reduce risk of electric shock.
- b) **Avoid body contact with earthed or grounded surfaces such as pipes, radiators, ranges and refrigerators.** There is an increased risk of electric shock if your body is earthed or grounded.
- c) **Do not expose power tools to rain or wet conditions.**  
Water entering a power tool will increase the risk of electric shock.
- d) **Do not abuse the cord. Never use the cord for carrying, pulling or unplugging the power tool. Keep cord away from heat, oil, sharp edges or moving parts.** Damaged or entangled cords increase the risk of electric shock.
- e) **When operating a power tool outdoors, use an extension cord suitable for outdoor use.** Use of a cord suitable for outdoor use reduces the risk of electric shock.
- f) **If operating a power tool in a damp location is unavoidable, use a residual current device (RCD) protected supply.** Use of an RCD reduces the risk of electric shock.

#### 3) Personal Safety

- a) **Stay alert, watch what you are doing and use common sense when operating a power tool. Do not use a power tool while you are tired or under the influence of drugs, alcohol or medication.** A moment of inattention while operating power tools may result in serious personal injury.
- b) **Use personal protective equipment. Always wear eye protection.** Protective equipment such as a dust mask, non-skid safety shoes, hard hat or hearing protection used for appropriate conditions will reduce personal injuries.

- c) **Prevent unintentional starting. Ensure the switch is in the off-position before connecting to power source and/or battery pack, picking up or carrying the tool.** Carrying power tools with your finger on the switch or energising power tools that have the switch on invites accidents.
- d) **Remove any adjusting key or wrench before turning the power tool on.** A wrench or a key left attached to a rotating part of the power tool may result in personal injury.
- e) **Do not overreach. Keep proper footing and balance at all times.** This enables better control of the power tool in unexpected situations.
- f) **Dress properly. Do not wear loose clothing or jewellery. Keep your hair and clothing away from moving parts.** Loose clothes, jewellery or long hair can be caught in moving parts.
- g) **If devices are provided for the connection of dust extraction and collection facilities, ensure these are connected and properly used.** Use of dust collection can reduce dust-related hazards.
- h) **Do not let familiarity gained from frequent use of tools allow you to become complacent and ignore tool safety principles.** A careless action can cause severe injury within a fraction of a second.

#### 4) Power Tool Use and Care

- a) **Do not force the power tool. Use the correct power tool for your application.** The correct power tool will do the job better and safer at the rate for which it was designed.
- b) **Do not use the power tool if the switch does not turn it on and off.** Any power tool that cannot be controlled with the switch is dangerous and must be repaired.
- c) **Disconnect the plug from the power source and/or remove the battery pack, if detachable, from the power tool before making any adjustments, changing accessories, or storing power tools.** Such preventive safety measures reduce the risk of starting the power tool accidentally.
- d) **Store idle power tools out of the reach of children and do not allow persons unfamiliar with the power tool or these instructions to operate the power tool.** Power tools are dangerous in the hands of untrained users.
- e) **Maintain power tools and accessories. Check for misalignment or binding of moving parts, breakage of parts and any other condition that may affect the power tool's operation. If damaged, have the power tool repaired before use.** Many accidents are caused by poorly maintained power tools.
- f) **Keep cutting tools sharp and clean.** Properly maintained cutting tools with sharp cutting edges are less likely to bind and are easier to control.
- g) **Use the power tool, accessories and tool bits, etc. in accordance with these instructions, taking into account the working conditions and the work to be performed.** Use of the power tool for operations different from those intended could result in a hazardous situation.

- h) **Keep handles and grasping surfaces dry, clean and free from oil and grease.** Slippery handles and grasping surfaces do not allow for safe handling and control of the tool in unexpected situations.

## 5) Battery Tool Use and Care

- a) **Recharge only with the charger specified by the manufacturer.** A charger that is suitable for one type of battery pack may create a risk of fire when used with another battery pack.
- b) **Use power tools only with specifically designated battery packs.** Use of any other battery packs may create a risk of injury and fire.
- c) **When battery pack is not in use, keep it away from other metal objects, like paper clips, coins, keys, nails, screws or other small metal objects, that can make a connection from one terminal to another.** Shorting the battery terminals together may cause burns or a fire.
- d) **Under abusive conditions, liquid may be ejected from the battery; avoid contact. If contact accidentally occurs, flush with water. If liquid contacts eyes, additionally seek medical help.** Liquid ejected from the battery may cause irritation or burns.
- e) **Do not use a battery pack or tool that is damaged or modified.** Damaged or modified batteries may exhibit unpredictable behaviour resulting in fire, explosion or risk of injury.
- f) **Do not expose a battery pack or tool to fire or excessive temperature.** Exposure to fire or temperature above 130 °C may cause explosion.
- g) **Follow all charging instructions and do not charge the battery pack or tool outside the temperature range specified in the instructions.** Charging improperly or at temperatures outside the specified range may damage the battery and increase the risk of fire.

## 6) Service

- a) **Have your power tool serviced by a qualified repair person using only identical replacement parts.** This will ensure that the safety of the power tool is maintained.
- b) **Never service damaged battery packs.** Service of battery packs should only be performed by the manufacturer or authorized service providers.

## Safety Instructions for All Operations

- **Hold power tool by insulated gripping surfaces, when performing an operation where the cutting accessory or the fastener may contact hidden wiring.** Cutting accessory or the fastener contacting a "live" wire may make exposed metal parts of the power tool "live" and could give the operator an electric shock.

## Safety Instructions When Using Long Drill Bits

- **Never operate at higher speed than the maximum speed rating of the drill bit.** At higher speeds, the bit is likely to bend if allowed to rotate freely without contacting the workpiece, resulting in personal injury.
- **Always start drilling at low speed and with the bit tip in contact with the workpiece.** At higher speeds, the bit is likely to bend if allowed to rotate freely without contacting the workpiece, resulting in personal injury.
- **Apply pressure only in direct line with the bit and do not apply excessive pressure.** Bits can bend causing breakage or loss of control, resulting in personal injury.

## Additional Safety Warnings for Drills

- **Use clamps or other practical way to secure and support the workpiece to a stable platform.** Holding the work by hand or against your body is unstable and may lead to loss of control.
- **Accessories and tool may get hot during operation.** Wear gloves when handling them if performing heat producing applications such as drilling metals.
- **Air vents often cover moving parts and should be avoided.** Loose clothes, jewelry or long hair can be caught in moving parts.

## Residual Risks

In spite of the application of the relevant safety regulations and the implementation of safety devices, certain residual risks cannot be avoided. These are:

- Impairment of hearing.
- Risk of personal injury due to flying particles.
- Risk of burns due to accessories becoming hot during operation.
- Risk of personal injury due to prolonged use.

## SAVE THESE INSTRUCTIONS

## Chargers

DeWALT chargers require no adjustment and are designed to be as easy as possible to operate.

## Electrical Safety

The electric motor has been designed for one voltage only. Always check that the battery pack voltage corresponds to the voltage on the rating plate. Also make sure that the voltage of your charger corresponds to that of your mains.



Your DEWALT charger is double insulated in accordance with IEC60335; therefore no earth wire is required.

If the supply cord is damaged, it must be replaced by a specially prepared cord available through the DEWALT service organisation.

### Using an Extension Cable

An extension cord should not be used unless absolutely necessary. Use an approved extension cable suitable for the power input of your charger (see **Technical Data**). The minimum conductor size is 1 mm<sup>2</sup>; the maximum length is 30 m.

When using a cable reel, always unwind the cable completely.

### Important Safety Instructions for All Battery Chargers

**SAVE THESE INSTRUCTIONS:** This manual contains important safety and operating instructions for compatible battery chargers (refer to **Technical Data**).

- Before using charger, read all instructions and cautionary markings on charger, battery pack, and product using battery pack.



**WARNING:** Shock hazard. Do not allow any liquid to get inside charger. Electric shock may result.



**WARNING:** We recommend the use of a residual current device with a residual current rating of 30mA or less.



**CAUTION:** Burn hazard. To reduce the risk of injury, charge only DEWALT rechargeable batteries. Other types of batteries may burst causing personal injury and damage.



**CAUTION:** Children should be supervised to ensure that they do not play with the appliance.

**NOTICE:** Under certain conditions, with the charger plugged into the power supply, the exposed charging contacts inside the charger can be shorted by foreign material. Foreign materials of a conductive nature such as, but not limited to, steel wool, aluminum foil or any buildup of metallic particles should be kept away from charger cavities. Always unplug the charger from the power supply when there is no battery pack in the cavity. Unplug charger before attempting to clean

- **DO NOT attempt to charge the battery pack with any chargers other than the ones in this manual.** The charger and battery pack are specifically designed to work together.
- **These chargers are not intended for any uses other than charging DEWALT rechargeable batteries.** Any other uses may result in risk of fire, electric shock or electrocution.
- **Do not expose charger to rain or snow.**
- **Pull by plug rather than cord when disconnecting charger.** This will reduce risk of damage to electric plug and cord.
- **Make sure that cord is located so that it will not be stepped on, tripped over, or otherwise subjected to damage or stress.**

- **Do not use an extension cord unless it is absolutely necessary.** Use of improper extension cord could result in risk of fire, electric shock, or electrocution.
- **Do not place any object on top of charger or place the charger on a soft surface that might block the ventilation slots and result in excessive internal heat.** Place the charger in a position away from any heat source. The charger is ventilated through slots in the top and the bottom of the housing.
- **Do not operate charger with damaged cord or plug—** have them replaced immediately.
- **Do not operate charger if it has received a sharp blow, been dropped, or otherwise damaged in any way.** Take it to an authorised service centre.
- **Do not disassemble charger; take it to an authorised service centre when service or repair is required.** Incorrect reassembly may result in a risk of electric shock, electrocution or fire.
- In case of damaged power supply cord the supply cord must be replaced immediately by the manufacturer, its service agent or similar qualified person to prevent any hazard.
- **Disconnect the charger from the outlet before attempting any cleaning. This will reduce the risk of electric shock.** Removing the battery pack will not reduce this risk.
- **NEVER** attempt to connect two chargers together.
- **The charger is designed to operate on standard 220-240V household electrical power. Do not attempt to use it on any other voltage.** This does not apply to the vehicular charger.

### Charging a Battery (Fig. B)

1. Plug the charger into an appropriate outlet before inserting battery pack.
2. Insert the battery pack 1 into the charger, making sure the battery pack is fully seated in the charger. The red (charging) light will blink repeatedly indicating that the charging process has started.
3. The completion of charge will be indicated by the red light remaining ON continuously. The battery pack is fully charged and may be used at this time or left in the charger. To remove the battery pack from the charger, push the battery release button 2 on the battery pack.

**NOTE:** To ensure maximum performance and life of lithium-ion battery packs, charge the battery pack fully before first use.

### Charger Operation

Refer to the indicators below for the charge status of the battery pack.

Charge Indicators		
	Charging	
	Fully Charged	
	Hot/Cold Pack Delay*	



\*The red light will continue to blink, but a yellow indicator light will be illuminated during this operation. Once the battery pack has reached an appropriate temperature, the yellow light will turn off and the charger will resume the charging procedure.

The compatible charger(s) will not charge a faulty battery pack. The charger will indicate faulty battery by refusing to light.

**NOTE:** This could also mean a problem with a charger.

If the charger indicates a problem, take the charger and battery pack to be tested at an authorised service centre.

### Hot/Cold Pack Delay

When the charger detects a battery pack that is too hot or too cold, it automatically starts a Hot/Cold Pack Delay, suspending charging until the battery pack has reached an appropriate temperature. The charger then automatically switches to the pack charging mode. This feature ensures maximum battery pack life.

A cold battery pack will charge at a slower rate than a warm battery pack. The battery pack will charge at that slower rate throughout the entire charging cycle and will not return to maximum charge rate even if the battery pack warms.

### Electronic Protection System

XR Li-Ion tools are designed with an Electronic Protection System that will protect the battery pack against overloading, overheating or deep discharge.

The tool will automatically turn off if the Electronic Protection System engages. If this occurs, place the lithium-ion battery pack on the charger until it is fully charged.

### Wall Mounting

These chargers are designed to be wall mountable or to sit upright on a table or work surface. If wall mounting, locate the charger within reach of an electrical outlet, and away from a corner or other obstructions which may impede air flow. Use the back of the charger as a template for the location of the mounting screws on the wall. Mount the charger securely using drywall screws (purchased separately) at least 25.4 mm long with a screw head diameter of 7–9 mm, screwed into wood to an optimal depth leaving approximately 5.5 mm of the screw exposed. Align the slots on the back of the charger with the exposed screws and fully engage them in the slots.

### Charger Cleaning Instructions



**WARNING: Shock hazard. Disconnect the charger from the AC outlet before cleaning.** Dirt and grease may be removed from the exterior of the charger using a cloth or soft non-metallic brush. Do not use water or any cleaning solutions. Never let any liquid get inside the tool; never immerse any part of the tool into a liquid.

## Battery Packs

### Important Safety Instructions for All Battery Packs

When ordering replacement battery packs, be sure to include catalogue number and voltage.

The battery pack is not fully charged out of the carton. Before using the battery pack and charger, read the safety instructions below. Then follow charging procedures outlined.

### READ ALL INSTRUCTIONS

- **Do not charge or use battery in explosive atmospheres, such as in the presence of flammable liquids, gases or dust.** Inserting or removing the battery from the charger may ignite the dust or fumes.
- **Never force battery pack into charger. Do not modify battery pack in any way to fit into a non-compatible charger as battery pack may rupture causing serious personal injury.**
  - Charge the battery packs only in DeWALT chargers.
  - **DO NOT** splash or immerse in water or other liquids.
  - **Do not store or use the tool and battery pack in locations where the temperature may reach or exceed 40 °C (104 °F) (such as outside sheds or metal buildings in summer).**
  - **Do not incinerate the battery pack even if it is severely damaged or is completely worn out.** The battery pack can explode in a fire. Toxic fumes and materials are created when lithium-ion battery packs are burned.
  - **If battery contents come into contact with the skin, immediately wash area with mild soap and water.** If battery liquid gets into the eye, rinse water over the open eye for 15 minutes or until irritation ceases. If medical attention is needed, the battery electrolyte is composed of a mixture of liquid organic carbonates and lithium salts.
  - **Contents of opened battery cells may cause respiratory irritation.** Provide fresh air. If symptoms persists, seek medical attention.



**WARNING: Burn hazard.** Battery liquid may be flammable if exposed to spark or flame.



**WARNING: Never attempt to open the battery pack for any reason.** If battery pack case is cracked or damaged, do not insert into charger. Do not crush, drop or damage battery pack. Do not use a battery pack or charger that has received a sharp blow, been dropped, run over or damaged in any way (i.e., pierced with a nail, hit with a hammer, stepped on). Electric shock or electrocution may result. Damaged battery packs should be returned to service centre for recycling.



**WARNING: Fire hazard. Do not store or carry the battery pack so that metal objects can contact exposed battery terminals.** For example, do not place the battery pack in aprons, pockets, tool boxes, product kit boxes, drawers, etc., with loose nails, screws, keys, etc.



**CAUTION: When not in use, place tool on its side on a stable surface where it will not cause a tripping or falling hazard.** Some tools with large battery packs will stand upright on the battery pack but may be easily knocked over.

## Transportation



**WARNING: Fire hazard.** Transporting batteries can possibly cause fire if the battery terminals inadvertently come in contact with conductive materials. When transporting batteries, make sure that the battery terminals are protected and well insulated from materials that could contact them and cause a short circuit.

**NOTE:** Lithium-ion batteries should not be put in checked baggage.

DeWALT batteries comply with all applicable shipping regulations as prescribed by industry and legal standards which include UN Recommendations on the Transport of Dangerous Goods; International Air Transport Association (IATA) Dangerous Goods Regulations, International Maritime Dangerous Goods (IMDG) Regulations, and the European Agreement Concerning The International Carriage of Dangerous Goods by Road (ADR). Lithium-ion cells and batteries have been tested to section 38.3 of the UN Recommendations on the Transport of Dangerous Goods Manual of Tests and Criteria.

In most instances, shipping a DeWALT battery pack will be excepted from being classified as a fully regulated Class 9 Hazardous Material. In general, only shipments containing a lithium-ion battery with an energy rating greater than 100 Watt Hours (Wh) will require being shipped as fully regulated Class 9. All lithium-ion batteries have the Watt Hour rating marked on the pack. Furthermore, due to regulation complexities, DeWALT does not recommend air shipping lithium-ion battery packs alone regardless of Watt Hour rating. Shipments of tools with batteries (combo kits) can be air shipped as excepted if the Watt Hour rating of the battery pack is no greater than 100 Whr. Regardless of whether a shipment is considered excepted or fully regulated, it is the shipper's responsibility to consult the latest regulations for packaging, labeling/marketing and documentation requirements.

The information provided in this section of the manual is provided in good faith and believed to be accurate at the time the document was created. However, no warranty, expressed or implied, is given. It is the buyer's responsibility to ensure that its activities comply with the applicable regulations.

## Storage Recommendations

1. The best storage place is one that is cool and dry away from direct sunlight and excess heat or cold. For optimum battery performance and life, store battery packs at room temperature when not in use.
2. For long storage, it is recommended to store a fully charged battery pack in a cool, dry place out of the charger for optimal results.

**NOTE:** Battery packs should not be stored completely depleted of charge. The battery pack will need to be recharged before use.

## Labels on Charger and Battery Pack

In addition to the pictographs used in this manual, the labels on the charger and the battery pack may show the following pictographs:



Read instruction manual before use.



See **Technical Data** for charging time.



Do not probe with conductive objects.



Do not charge damaged battery packs.



Do not expose to water.



Have defective cords replaced immediately.



Charge only between 4 °C and 40 °C.



Only for indoor use.



Discard the battery pack with due care for the environment.



Charge DeWALT battery packs only with designated DeWALT chargers. Charging battery packs other than the designated DeWALT batteries with a DeWALT charger may make them burst or lead to other dangerous situations.



Do not incinerate the battery pack.

## Battery Type

The DCD701 operates on a 12 volt battery pack.

These battery packs may be used: DCB122, DCB123, DCB124, DCB124G, DCB126, DCB126G, DCB127. Refer to **Technical Data** for more information.

## Package Contents

The package contains:

- 1 Drill/driver
- 1 Charger
- 1 Belt hook (included with some models)
- 1 Li-ion battery pack (C1, D1, S1, L1 models)
- 2 Li-ion battery packs (C2, D2, S2, L2 models)
- 3 Li-ion battery packs (C3, D3, S3, L3 models)
- 1 Instruction manual

**NOTE:** Battery packs, chargers and kitboxes are not included with N models. Battery packs and chargers are not included with NT models.

**NOTE:** Trademarks and trade names are those of their respective owners.

- Check for damage to the tool, parts or accessories which may have occurred during transport.
- Take the time to thoroughly read and understand this manual prior to operation.

## Markings on Tool

The following pictograms are shown on the tool:



Read instruction manual before use.



Wear ear protection.



Wear eye protection.



Visible radiation. Do not stare into light.

## Date Code Position (Fig. A)

The date code **13**, which also includes the year of manufacture, is printed into the housing.

Example:

2022 XX XX

Year of Manufacture

## Description (Fig. A)



**WARNING:** Never modify the power tool or any part of it. Damage or personal injury could result.

- 1 Battery pack
- 2 Battery pack release button
- 3 Main handle
- 4 Variable speed trigger
- 5 Forward/reverse control button
- 6 Mode selection collar
- 7 Speed selector
- 8 Worklight
- 9 Chuck sleeve
- 10 Keyless chuck

## Intended Use

This drill/driver is designed for professional drilling and screwdriving applications.

**DO NOT** use under wet conditions or in the presence of flammable liquids or gases.

This drill/driver is a professional power tool.

**DO NOT** let children come into contact with the tool. Supervision is required when inexperienced operators use this tool.

- **Young children and the infirm.** This appliance is not intended for use by young children or infirm persons without supervision.
- This product is not intended for use by persons (including children) suffering from diminished physical, sensory or mental abilities; lack of experience, knowledge or skills

unless they are supervised by a person responsible for their safety. Children should never be left alone with this product.

## ASSEMBLY AND ADJUSTMENTS



**WARNING:** To reduce the risk of serious personal injury, turn tool off and disconnect battery pack before making any adjustments or removing/installing attachments or accessories. An accidental start-up can cause injury.



**WARNING:** Use only DEWALT battery packs and chargers.

## Inserting and Removing the Battery Pack from the Tool (Fig. B)

**NOTE:** Make sure your battery pack **1** is fully charged.

### To Install the Battery Pack into the Tool Handle

1. Align the battery pack **1** with the rails inside the tool's handle (Fig. B).
2. Slide it into the handle until the battery pack is firmly seated in the tool and ensure that you hear the lock snap into place.

### To Remove the Battery Pack from the Tool

1. Press the release button **2** and firmly pull the battery pack out of the tool handle.
2. Insert battery pack into the charger as described in the charger section of this manual.

## Fuel Gauge Battery Packs (Fig. B)

Some DEWALT battery packs include a fuel gauge which consists of three green LED lights that indicate the level of charge remaining in the battery pack.

To actuate the fuel gauge, press and hold the fuel gauge button **14**. A combination of the three green LED lights will illuminate designating the level of charge left. When the level of charge in the battery is below the usable limit, the fuel gauge will not illuminate and the battery will need to be recharged.

**NOTE:** The fuel gauge is only an indication of the charge left on the battery pack. It does not indicate tool functionality and is subject to variation based on product components, temperature and end-user application.

## Belt Hook (Fig. C)

### Optional Accessories



**WARNING:** To reduce the risk of serious personal injury, **DO NOT** suspend tool overhead or suspend objects from the belt hook. **ONLY** hang tool's belt hook from a work belt.



**WARNING:** To reduce the risk of serious personal injury, ensure the screw holding the belt hook is secure.

**IMPORTANT:** When attaching or replacing a belt hook, use only the screw that is provided. Be sure to securely tighten the screw. A belt hook **11** can be attached to either side of the tool using only the screw **12** provided, to accommodate left- or right-handed users. If the belt hook is not desired at all, it can be removed from the tool.

To move the belt hook, remove the screw **12** that holds it in place then reassemble on the opposite side. Be sure to securely tighten the screw.

## Installing a Bit or Accessory into a Keyless Chuck (Fig. D)



**WARNING:** Do not attempt to tighten drill bits (or any other accessory) by gripping the front part of the chuck and turning the tool on. Damage to the chuck and personal injury may result. Always lock off trigger switch and disconnect tool from power source when changing accessories.



**WARNING:** Always ensure the bit is secure before starting the tool. A loose bit may eject from tool causing possible personal injury.

Your tool features a keyless chuck **10** with one rotating sleeve **9** for one-handed operation of the chuck. To insert a drill bit or other accessory, follow these steps.

1. Turn tool off and remove battery pack.
2. Grasp the black sleeve of the chuck with one hand and use the other hand to secure the tool. Rotate the sleeve counterclockwise far enough to accept the desired accessory.
3. Insert the accessory about 19 mm into the chuck and tighten securely by rotating the chuck sleeve clockwise with one hand while holding the tool with the other. Your tool is equipped with an automatic spindle lock mechanism. This allows you to open and close the chuck with one hand.

Be sure to tighten chuck with one hand on the chuck sleeve and one hand holding the tool for maximum tightness.

To release the accessory, repeat steps 1 and 2 above.

## Speed Selection (Fig. A)

The tool features two speed settings for greater versatility.

**NOTE:** Do not change speeds when the tool is running.

Always allow the tool to come to a complete stop before changing speed.

1. To select speed 1 (high torque setting), turn the tool off and permit it to stop. Slide the speed selector **7** back (away from the chuck).
2. To select speed 2 (high speed setting), turn the tool off and permit it to stop. Slide the speed selector **7** forward (toward the chuck).

If the tool does not change speeds, confirm that the speed selection switch is completely engaged in the forward or back position.

## Mode Selection (Fig. A)

The mode selection collar **6** can be used to select the correct operating mode depending upon the planned application.

To select, rotate the collar until the desired symbol aligns with the arrow.

Symbol	Mode
	Drilling

## Variable Speed Trigger and Forward/Reverse Control Button (Fig. A)

The drill is turned on and off by pulling and releasing the variable speed trigger **4**. The farther the trigger is depressed, the higher the speed of the drill. Your tool is equipped with a brake. The chuck will stop as soon as the trigger switch is fully released.

A forward/reverse control button **5** determines the rotational direction of the tool and also serves as a lock-off button.

- To select forward rotation, release the trigger and depress the forward/reverse control button on the right side of the tool.
- To select reverse, depress the forward/reverse control button on the left side of the tool.

**NOTE:** The centre position of the control button locks the tool in the off position. When changing the position of the control button, be sure the trigger is released.

**NOTE:** Continuous use in variable speed range is not recommended. It may damage the switch and should be avoided.

**NOTE:** The first time the tool is run after changing the direction of rotation, you may hear a click on start up. This is normal and does not indicate a problem.

## OPERATION

### Instructions for Use



**WARNING:** Always observe the safety instructions and applicable regulations.



**WARNING:** To reduce the risk of serious personal injury, turn tool off and disconnect battery pack before making any adjustments or removing/installing attachments or accessories. An accidental start-up can cause injury.

### Proper Hand Position (Fig. E)



**WARNING:** To reduce the risk of serious personal injury, ALWAYS use proper hand position as shown.



**WARNING:** To reduce the risk of serious personal injury, ALWAYS hold securely in anticipation of a sudden reaction.

Proper hand position requires one hand on the main handle **3** and one hand on the battery pack.

### Worklight (Fig. F)

There is a worklight **8** located on the foot of the tool. The worklight is activated when the trigger switch is depressed. When the trigger is released, the worklight will stay illuminated for up to 20 seconds.

**NOTE:** The worklight is for lighting the immediate work surface and is not intended to be used as a flashlight.

## Performing an Application (Fig. A)



**WARNING:** To reduce the risk of personal injury, ALWAYS ensure workpiece is anchored or clamped firmly.



**WARNING:** Always wait until the motor has come to a complete standstill before changing the direction of rotation.

### Prior to performing work:

- Set the speed selector **7**. Refer to **Speed Selection**.
- Install the appropriate bit or accessory into the chuck. Refer to **Installing a Bit or Accessory into a Keyless Chuck**.



### WARNING:

- Do not use this tool to mix or pump easily combustible or explosive fluids (benzine, alcohol, etc.).
- Do not mix or stir flammable liquids labeled accordingly.

## Screwdriving

Your tool has a clutch with adjustable torque for driving and removing a wide array of fastener shapes and sizes. The numbers on the mode selection collar **6** are used to set a torque range for screwdriving. The higher the number on the collar, the higher the torque and the larger the fastener which can be driven.

1. Turn the mode selection collar **6** to the desired position. Refer to **Mode Selection**.
2. Pull the trigger switch applying pressure in a straight line with the bit until the fastener is seated at the desired depth in the workpiece.

### Recommendations for Screwdriving

- Start with lower torque settings, then advance to higher torque settings to avoid damage to the workpiece or fastener.
- Make some practice runs in scrap or on unseen areas of the workpiece to determine the proper position of the mode selection collar.

## Drilling

1. Turn the mode selection collar **6** to the drill symbol. Refer to **Mode Selection**.

2. Place drill bit in contact with the workpiece.

**NOTE:** Use sharp drill bit only.

3. Pull the trigger applying pressure in a straight line with the bit until it reaches the desired depth.



**WARNING:** Drill may stall if overloaded causing a sudden twist. Always expect the stall. Grip the drill firmly to control the twisting action and avoid injury.

4. Keep the motor running when pulling the bit back out of a drilled hole to prevent jamming.

### Recommendations for Drilling

- When drilling, always apply pressure in a straight line with the bit, but do not push hard enough to stall the motor or deflect the bit.
- **IF THE DRILL STALLS:**
  - **RELEASE TRIGGER SWITCH IMMEDIATELY**, remove drill bit from work, and determine cause of stalling.

- **DO NOT DEPRESS TRIGGER SWITCH ON AND OFF IN AN ATTEMPT TO START A STALLED DRILL—THIS CAN DAMAGE THE DRILL.**
- To minimize stalling or breaking through the material, reduce pressure on drill and ease the bit through the last fractional part of the hole.
- Large holes (7.9 mm to 12.7 mm) in steel can be made easier if a pilot hole (4 mm to 4.8 mm) is drilled first.
- If drilling thin material or material that is prone to splinter, use a wood “back-up” block to prevent damage to the work piece.

## MAINTENANCE

Your DEWALT power tool has been designed to operate over a long period of time with a minimum of maintenance. Continuous satisfactory operation depends upon proper tool care and regular cleaning.



**WARNING:** To reduce the risk of serious personal injury, turn tool off and disconnect battery pack before making any adjustments or removing/installing attachments or accessories. An accidental start-up can cause injury.

The charger and battery pack are not serviceable.



## Lubrication

Your power tool requires no additional lubrication.



## Cleaning



**WARNING:** Blow dirt and dust out of the main housing with dry air as often as dirt is seen collecting in and around the air vents. Wear approved eye protection and approved dust mask when performing this procedure.



**WARNING:** Never use solvents or other harsh chemicals for cleaning the non-metallic parts of the tool. These chemicals may weaken the materials used in these parts. Use a cloth dampened only with water and mild soap. Never let any liquid get inside the tool; never immerse any part of the tool into a liquid.

## Optional Accessories



**WARNING:** Since accessories, other than those offered by DEWALT, have not been tested with this product, use of such accessories with this tool could be hazardous. To reduce the risk of injury, only DEWALT recommended accessories should be used with this product.

Consult your dealer for further information on the appropriate accessories.

## Protecting the Environment



Separate collection. Products and batteries marked with this symbol must not be disposed of with normal household waste.

Products and batteries contain materials that can be recovered or recycled reducing the demand for raw materials. Please recycle electrical products and batteries according to local provisions. Further information is available at [www.2helpU.com](http://www.2helpU.com).

## **Rechargeable Battery Pack**

This long life battery pack must be recharged when it fails to produce sufficient power on jobs which were easily done before. At the end of its technical life, discard it with due care for our environment:

- Run the battery pack down completely, then remove it from the tool.
- Li-Ion cells are recyclable. Take them to your dealer or a local recycling station. The collected battery packs will be recycled or disposed of properly.

# 紧凑型电钻/起子

## DCD701

### 恭喜!

感谢您选购 DEWALT 工具。凭借多年的产品开发和创新经验，DEWALT 已经成为专业电动工具用户最可靠的合作伙伴之一。

### 技术参数

DCD701		
电压	伏特 <sub>直流</sub>	10.8 (最大 12)
电池类型		锂离子
功率输出	瓦	250
空载转速		
1 档	转/分	0-425
2 档	转/分	0-1500
最大扭矩 (硬/软)	牛米	57.5/23.5
夹头尺寸	毫米	10
最大钻孔能力		
木材	毫米	20
金属	毫米	10
重量 (不含电池组)	千克	0.87

最大初始电池电压 (无工作负载测量值) 为 12 伏。标称电压为 10.8 伏。

### 定义: 安全指南

下列定义描述了各标志术语的严重程度。请仔细阅读本手册，并注意这些标志。



**危险:** 表示存在紧急危险情况，如果不加以避免，**将导致死亡或严重伤害。**



**警告:** 表示存在潜在的危险情况，如果不加以避免，**可能导致死亡或严重伤害。**



**警示:** 表示存在潜在的危险情况，如果不加以避免，**可能导致轻度或中度伤害。**

**注意:** 表示存在**不涉及人身伤害的情况**，如果不加以避免，**可能导致财产损失。**



表示存在触电风险。



表示存在火灾风险。

电池				充电器/充电时间 (分钟)					
目录号	伏特 <sub>直流</sub>	安时	重量 (千克)	DCB104	DCB107	DCB110	DCB112	DCB115	DCB132
DCB122/DCB127	10.8 (12 Max)	2.0	0.22	30	90	90	60	30	30
DCB123	10.8 (12 Max)	1.5	0.20	23	70	70	45	23	23
DCB124/G	10.8 (12 Max)	3.0	0.25	45	140	140	90	45	45
DCB126/G	10.8 (12 Max)	5.0	0.44	75	240	240	150	75	75

## 电动工具通用安全警告



**警告！** 阅读随电动工具提供的所有安全警告、说明、图示和规定。不遵照以下所列说明会导致电击、着火和/或严重伤害。

**保存所有警告和说明书以备查阅。**

警告中的术语“电动工具”指市电驱动（有线）电动工具或电池驱动（无线）电动工具。

### a) 工作场地的安全

- 1) 保持工作场地清洁和明亮。杂乱和黑暗的场地会引发事故。
- 2) 不要在易爆环境，如有易燃液体、气体或粉尘的环境下操作电动工具。电动工具产生的火花会点燃粉尘或气体。
- 3) 操作电动工具时，远离儿童和旁观者。注意力不集中会使你失去对工具的控制。

### b) 电气安全

- 1) 电动工具插头必须与插座相配。绝不能以任何方式改装插头。需接地的电动工具不能使用任何转换插头。未经改装的插头和相配的插座将降低电击风险。
- 2) 避免人体接触接地表面，如管道、散热片和冰箱。如果你身体接触接地表面会增加电击风险。
- 3) 不得将电动工具暴露在雨中或潮湿环境中。水进入电动工具将增加电击风险。
- 4) 不得滥用软线。绝不能用软线搬运、拉动电动工具或拔出其插头。使软线远离热源、油、锐边或运动部件。受损或缠绕的软线会增加电击风险。
- 5) 当在户外使用电动工具时，使用适合户外使用的延长线。适合户外使用的电线将降低电击风险。
- 6) 如果无法避免在潮湿环境下操作电动工具，应使用带有剩余电流装置（RCD）保护的电源。RCD 的使用可降低电击风险。

### c) 人身安全

- 1) 保持警觉，当操作电动工具时关注所从事的操作并保持清醒。当你感到疲倦，或在有药物、酒精或治疗反应时，不要操作电动工具。在操作电动工具时瞬间的疏忽会导致严重人身伤害。
- 2) 使用个人防护装置。始终佩戴护目镜。防护装置，诸如适当条件下使用防尘面具、防滑安全鞋、安全帽、听力防护等装置能减少人身伤害。
- 3) 防止意外起动。在连接电源和/或电池盒、拿起或搬运工具前确保开关处于关闭位置。手指放在开关上搬运工具或开关处于接通时通电会导致危险。
- 4) 在电动工具接通之前，拿掉所有调节钥匙或扳手。遗留在电动工具旋转零件上的扳手或钥匙会导致人身伤害。
- 5) 手不要过分伸展。时刻注意立足点和身体平衡。这样能在意外情况下能更好地控制住电动工具。
- 6) 着装适当。不要穿宽松衣服或佩戴饰品。让你的头发和衣服远离运动部件。宽松衣服、配饰或长发可能会卷入运动部件。
- 7) 如果提供了与排屑、集尘设备连接用的装置，要确保其连接完好且使用得当。使用集尘装置可降低尘屑引起的危险。
- 8) 不要因为频繁使用工具而产生的熟悉感而掉以轻心，忽视工具的安全准则。某个粗心的动作可能在瞬间导致严重的伤害。

### d) 电动工具使用和注意事项

- 1) 不要勉强使用电动工具，根据用途使用合适的电动工具。选用合适的按照额定值设计的电动工具会使你工作更有效、更安全。
- 2) 如果开关不能接通或关断电源，则不能使用该电动工具。不能通过开关来控制的电动工具是危险的且必须进行修理。
- 3) 在进行任何调节、更换附件或贮存电动工具之前，必须从电源上拔掉插头和/或卸下电池包（如可拆卸）。这种防护性的安全措施降低了电动工具意外起动的风险。
- 4) 将闲置不用的电动工具贮存在儿童所及范围之外，并且不允许不熟悉电动工具和不了解这些说明的人操作电动工具。电动工具在未经培训的使用者手中是危险的。
- 5) 维护电动工具及其附件。检查运动部件是否调整到位或卡住，检查零件破损情况和影响电动工具运行的其他状况。如有损坏，应在使用前修理好电动工具。许多事故是由维护不良的电动工具引发的。
- 6) 保持切削刀具锋利和清洁。维护良好地有锋利切削刃的刀具不易卡住而且容易控制。
- 7) 按照使用说明书，并考虑作业条件和要进行的作业来选择电动工具、附件和工具的刀头等。将电动工具用于那些与其用途不符的操作可能会导致危险情况。
- 8) 保持手柄和握持表面干燥、清洁，不得沾有油脂。在意外的情况下，湿滑的手柄不能保证握持的安全和对工具的控制。

### e) 电池式工具使用和注意事项：

- 1) 仅使用生产者规定的充电器充电。将适用于某种电池包的充电器用到其他电池包时可能会发生着火危险。
- 2) 仅使用配有专用电池包的电动工具。使用其他电池包可能会产生伤害和着火危险。
- 3) 当电池包不用时，将它远离其他金属物体，例如回形针、硬币、钥匙、钉子、螺钉或其他小金属物体，以防电池包一端与另一端连接。电池组端部短路会引起燃烧或着火。
- 4) 在滥用条件下，液体可能会从电池组中溅出，应避免接触。如果意外碰到液体，用水冲洗。如果液体碰到了眼睛，还要寻求医疗帮助。从电池中溅出的液体可能会发生腐蚀或燃烧。
- 5) 不要使用损坏或改装过的电池包或工具。损坏或改装过的电池组可能呈现无法预测的结果，导致着火、爆炸或伤害。
- 6) 不要将电池包暴露于火或高温中。电池包暴露于火或高于 130°C 的高温中可能导致爆炸。

### f) 维修

- 1) 让专业维修人员使用相同的备件维修电动工具。这将保证所维修的电动工具的安全。
- 2) 决不能维修损坏的电池包。电池包仅能由生产者或其授权的维修服务商进行维修。

## 电钻专用警告语

带耳罩进行冲击作业。暴露于噪声环境会导致失聪。

使用辅助手柄。失控会导致人身伤害。

工具使用前应得到适当支撑。由于工具输出转矩大，运行时没有适当支撑会失控导致人身伤害。

当在钻削附件可能触及暗线之处进行操作时，要通过绝缘握持面来握持工具。钻削附件碰到带电导线会使工具外露的金属零件带电从而使操作者受到电击。



## 使用长钻头的安全说明

- 切勿以高于钻头最大额定速度的速度运行。在较高的速度下，如果允许在不接触工件的情况下自由旋转，钻头可能会弯曲，从而导致人身伤害。
- 始终以低速进行钻孔，钻头尖端与工件保持接触。在较高的速度下，如果允许在不接触工件的情况下自由旋转，钻头可能会弯曲，从而导致人身伤害。
- 仅在与钻头直接对齐时施加压力，并且不施加过大的压力。钻头可能弯曲致破损或失控，从而导致人身伤害。

## 电钻附加安全警告

- 使用夹具或采取其它可行的方法，将工件固定、支撑到稳定的平台上。手持或用身体顶住工件都是不稳定的，会导致操作失控。
- 附件和工具可能会在使用过程中发热。如果进行放热应用（如金属钻孔），处理时请佩戴手套。
- 通风口通常会盖住运动部件，应予以避免。宽松衣服、佩饰或长发可能会卷入运动部件。

## 剩余风险

尽管遵守了相关的安全法规并采用了安全装备，某些剩余风险仍然是无法避免的。这些风险包括：

- 听力损伤。
- 飞溅颗粒造成的人身伤害风险。
- 使用时附件发热导致的灼伤风险。
- 长时间使用引起的人身伤害风险。

请妥善保管好这些说明

## 充电器

DeWALT 充电器无需做出任何调整，专为简易操作而设计。

### 电气安全

电机只适用一种工作电压。请务必检查电池组的电压是否是铭牌上的电压一致。另外，请确保充电器电压和主电源的电压一致。



DeWALT 充电器符合 IEC60335 双重绝缘要求，因此无需使用接地线。

如果电源线损坏，必须采用 DeWALT 维修机构提供的专用电线进行更换。

### 使用延长线

除非绝对必要，否则请勿使用延长线。使用适合您的充电器输入功率的合格延长线（见技术参数）。最小的导线尺寸为 1 平方毫米；最大长度为 30 米。

使用电缆卷筒时，请务必拉出所有的电缆。

## 针对所有电池充电器的重要安全说明

请妥善保管好这些说明：本手册包含重要的兼容电池充电器安全和操作说明（请参阅技术参数）。

- 在使用充电器之前，请先阅读所有指示以及充电器、电池组和使用电池组的产品上的警示标记。



**警告：**触电危险。请勿让任何液体渗入充电器，否则会引起触电。



**警告：**我们建议使用漏电保护额定电流为 30 毫安或以下的漏电保护装置。



**警告：**灼伤危险。为降低人身伤害风险，请使用 DeWALT 充电式电池充电。使用其它类型的电池可能会引起爆裂，并导致人身伤害和损害。



**警告：**应看管好儿童，以确保他们不将此设备当做玩具来玩。

**注意：**在某些情况下，当充电器的插头插入电源插座时，充电器内部裸露的充电接触点可能因为外来物件而短路。请勿让能导电的异物靠近充电器腔，这些外来物件包括但不限于钢棉、铝箔或任何金属颗粒的堆积物。充电器内没有电池组时，请断开充电器与电源的连接。清洗前，务必拔掉充电器。

- 请勿试图使用本手册指定的充电器以外的其他任何充电器为电池组充电。充电器和电池组都是专门设计的，互相配合使用。
- 除了为 DeWALT 充电式电池充电以外，这些充电器并非设计用于其他用途。否则，可能会导致火灾、触电或电击。
- 请勿将充电器暴露于雨中或雪中。
- 断开充电器连接时，应拔下插头，切勿拉拽电源线。这将降低对电插头和电线的损害风险。
- 确保电源线布置在不易踩踏、踢绊、拉扯或会受到损害或压力的位置。
- 除非绝对必要，否则请勿使用延长线。使用不正确的延长线可能导致火灾、触电或电击的风险。
- 请勿将任何物件放在充电器上面，或是把充电器放在可能会堵住通风槽的柔软表面，导致充电器的内部过热。请把充电器放置在远离任何热源的地方。充电器通过外壳顶端和底端的槽进行通风。
- 禁止使用电源线或插头已损坏的充电器。请立即更换这些充电器。
- 如果充电器受到强烈重击、掉落或出现其他损坏情况，请勿使用充电器。请将损坏的充电器送到授权服务中心。
- 请勿自行拆卸充电器。请将需要检修或修理的充电器送到授权服务中心。重装不正确可能导致触电、电击或火灾风险。
- 必须立即将已损坏的电源线交由制造商、服务代理或类似的合格人员进行更换以防止安全隐患。
- 清洁前，请先断开充电器和插座的连接，以降低触电风险。取出电池组不会降低此风险。
- 切勿将两个充电器连接在一起。
- 充电器是为 220V 的标准家用电源而设计。请勿试图在任何其他电压下使用充电器。此规则不适用于车载充电器。

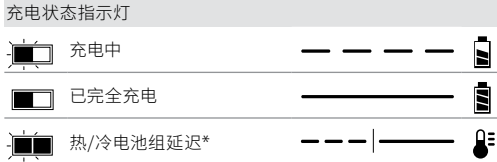
## 为电池充电 (图 B)

- 放进电池组前，先将充电器的插头插到相应的电源插座上。
- 将电池组 1 插入到充电器中，确定电池组完全就位。红色（充电中）指示灯将不断闪烁，表示充电过程已经开始。
- 红色灯持续亮起表示充电完成。此时电池组已完全充电，您可以使用电池组或将电池组留在充电器上。要从充电器上取下电池组，请按下电池组上的电池释放按钮 2。

**注：**为了确保锂离子电池的效能和使用寿命最大化，在首次使用电池组之前必须将其完全充电。

## 充电器操作

关于电池组的充电状态，请参阅以下指示灯说明。



\*红色指示灯会继续闪烁，但黄色指示灯在本次操作过程中会亮起。电池组达到适当温度后，黄色指示灯会熄灭，充电器将恢复充电程序。

此兼容充电器不能为故障的电池组充电。充电器指示灯不亮时表示电池有故障。

**注：**这也可能意味充电器有故障。

如果充电器提示存在故障，请将充电器和电池组送到授权的维修中心进行测试。

## 热/冷电池组延迟

当充电器检测到电池组过热或过冷时，它会启动热/冷电池延迟模式，暂停充电，直到电池组达到适当的温度。然后，充电器会自动切换到电池组充电模式。此功能可确保电池组拥有最长的使用寿命。

冷电池组充电速度比热电池组充电速度慢。电池组在整个充电周期的充电速度都会较慢，即使电池组升温也不会恢复到最大速度。

## 电子保护系统

XR 锂离子电池工具具有电子保护系统设计，可保护电池组免受过载、过热或过度放电之害。

如果电子保护系统处于运作状态，该工具将自动停止操作。如果发生这种情况，请将锂离子电池组放在充电器上，直至其完全充电。

## 壁挂式安装

这些充电器设计为可以安装在墙上，也可以直立在桌面或工作台上。如果安装在墙上，请确保充电器的位置可以连接到电源插座，并且远离墙角或其他可能妨碍空气流通的障碍物。将充电器背面作为在墙上安装螺丝的位置模板。使用至少 25.4 毫米长、螺帽直径至少 7.9 毫米的石膏板螺丝（单独购买）牢牢固定充电器，将螺丝最大限度打入木材，预留约 5.5 毫米露在墙外。将充电器背面的安装槽对准露出的螺丝，完全放置到位。

## 充电器清洁说明

**警告：触电危险。清洁前，请将充电器从交流电源插座上拔下。**可用布或非金属软刷清除充电器外部的污垢和油脂。请勿使用水或任何清洁剂。切勿让任何液体渗入工具，切勿让工具的任何部件浸在液体中。

## 电池组

### 针对所有电池组的重要安全说明

在订购更换电池组时，请务必附上目录型号和电压。

打开包装内的电池组并未完全充电。使用电池组和充电器之前，请阅读下列安全指示，然后遵循所述的充电程序。

### 请阅读所有说明

- **请勿在易燃环境，如有易燃液体、气体或粉尘的环境中充电或使用电池。**在充电器中插入或取出电池时可能会点燃粉尘或气体。

- **切勿强行将电池放进充电器。请勿以任何方式改装电池组以在不相容的充电器中使用，否则电池组可能会破裂，导致严重人身伤害。**
- 只使用 DeWALT 充电器为电池组充电。
- **请勿** 溅湿电池组或将其浸泡在水或其他液体中。
- **请勿在温度可能达到或超过 40°C (104°F) 的地方（如夏天户外的棚子或金属建筑物中）存储或使用工具和电池组。**
- **即使电池组严重受损或完全损坏，也请勿焚化电池组。**电池组在火中会发生爆炸。锂离子电池组在燃烧时会释放有毒烟雾和物质。
- **如果电池液体接触到皮肤，请立即以中性肥皂和清水冲洗接触的地方。**如果电池液体不慎进入眼睛，应睁开眼睛并用清水冲洗至少 15 分钟或直到刺激感消失。如果需要医疗救助，请告知医护人员。电池电解质由液状有机酸盐和锂盐的混合物组成。
- **已打开电池的內部物质可能导致呼吸道刺激。**请保持空气流通。如果症状持续存在，请就医。



**警告：灼伤危险。**电池液如果接触到火花或火焰可能会燃烧。



**警告：切勿以任何理由试图打开电池组。**电池组外壳破裂或损坏时，请勿将电池组插入充电器。请勿挤压、掉落或损坏电池组。请勿使用受过强烈重击、掉落、碾压或以任何其它方式（如被钉子穿破、受到锤子的重击、踩踏）受损的电池组或充电器。否则可能会引起触电或电击。损坏的电池组应送回维修中心进行回收。



**警告：火灾危险。请勿在存储或搬运电池组时让金属物品接触暴露的电池两极。**例如，请勿将电池组放在围裙、口袋、工具箱、产品套件盒、抽屉等可能与散钉、螺丝、钥匙等物品接触的地方。



**警告：不用时，将工具侧放在平稳的表面上，确保不会有绊倒或掉落的危险。**一些具有大型电池组的工具可以直立但可能会轻易被撞倒。

## 运输



**警告：火灾危险。**电池运输途中，如果电池两极意外接触导电材料，可能会引发火灾。运输电池时，请务必保护电池两极，确保与可能接触电池导致短路的材料良好绝缘。

**注：**锂离子电池不应放在托运行李中。

DeWALT 电池符合所有适用的行业和法律标准规定的运输规范，包括《联合国危险品运输建议规章范本》(UN Recommendations on the Transport of Dangerous Goods)、《国际航空运输协会 (IATA) 危险品规则》(International Air Transport Association (IATA) Dangerous Goods Regulations)、《国际海运危险品 (IMDG) 规则》(International Maritime Dangerous Goods (IMDG) Regulations) 和《欧洲危险货物国际公路运输协定》(European Agreement Concerning The International Carriage of Dangerous Goods by Road) (ADR)。锂离子电池和电池组已遵循《联合国危险品运输建议规章范本手册》第 38.3 节关于测试和标准的说明通过测试。

大多数情况下，发运 DeWALT 电池组不属于完全管制的 9 类危险品。通常情况下，只有当运输包含一个能量等级大于 100 瓦时 (Wh) 的锂离子电池时，才需要作为完全管制的 9 类危险品发运。所有锂离子电池外壳上均标有瓦时等级。此外，由于法规比较复杂，无论瓦时等级是多少，DeWALT 都不建议单独空运锂离子电池。发运包含电池的工具有（组合套件）时，如果电池组的额定能量不大于 100 瓦时 (Wh)，则可以空运。

无论发运是否纳入完全管制范围内，运输公司均有责任遵循最新法规中关于包装、标签/标记和单据的要求。

本手册本节的信息是出于善意提供，且认为在编制文档时准确无误。但是不提供明示或暗示的担保。购买方负有确保其行为遵守适用法规的责任。

## 存放建议

1. 最好将电池存放在阴凉、干燥、远离阳光直射、不会过热或过冷的地方。为了获得最佳的电池性能和使用寿命，请您在不使用电池组时将其存储在室温下。
2. 长期存储时，建议将完全充电的电池组从充电器取出，存储在阴凉、干燥的地方，以达到最佳效果。

**注：**电池组不应在电池已完全耗尽的状态下存放。使用电池组之前，必须重新为电池组充电。

## 充电器和电池组上的标签

除了在本手册中所使用的标志，充电器和电池组的标签还包括：



使用前请阅读使用手册。



要了解充电时间，请参阅**技术参数**。



请勿使用导电物体戳刺。



请勿对损坏的电池组充电。



请勿将其暴露于水中。



应立即更换有缺陷的电线。



请只在 4°C 和 40°C 之间的温度下充电。



只能在室内使用。



弃置电池组时，请妥善处理以保护我们的环境。



只使用指定的 DeWALT 充电器为 DeWALT 电池组充电。使用 DeWALT 充电器为非 DeWALT 电池充电可能会导致电池爆炸或出现其他危险情况。



请勿焚化电池组。

## 电池类型

DCD701 使用 12V Max 电池组。

这些电池组可用于：DCB122、DCB123、DCB124、DCB124G、DCB126、DCB126G、DCB127。更多信息，请参阅**技术参数**。

## 包装内的物品

包装内的物品包括：

- 1 只 电钻/起子
- 1 个 充电器
- 1 个 皮带扣（部分型号内自带）
- 1 个 锂离子电池组（C1, D1, S1, L1 模型）

2 个 锂离子电池组（C2, D2, S2, L2 模型）

3 个 锂离子电池组（C3, D3, S3, L3 模型）

1 本 说明手册

**注：**N 型号不包括电池组、充电器和工具箱。NT 型号不包括电池组和充电器。

**注：**商标和商品名称归其各自所有者所有。

- 检查工具、部件或附件是否在运输过程中损坏。
- 操作前，请抽空仔细阅读并掌握本手册。

## 工具上的标记

工具上印有下列图形：



使用前请阅读使用手册。



请佩戴听力保护器。



请佩戴护目装备。



可见辐射。切勿直视激光束。

## 日期代码位置 (图 A)

包含制造年份的日期码 **13** 打印在工具外壳上。

示例：

2022 XX XX

制造年份

## 说明 (图 A)



**警告：**切勿改装本电动工具或其任何部件，否则可能会导致损坏或人身伤害。

- 1 电池组
- 2 电池组释放按钮
- 3 主手柄
- 4 变速触发开关
- 5 正/反转控制按钮
- 6 模式选择环
- 7 转速选择器
- 8 工作灯
- 9 夹头套管
- 10 无锁匙夹头

## 设计用途

这种电钻/起子设计用于专业钻孔和螺丝安装。

**请勿**在潮湿环境中或在易燃液体或气体存在的环境中使用本产品。

本电钻/起子是专业的电动工具。

**请勿**让儿童接触本工具。缺乏经验的操作员需要在监督下使用本工具。

- **儿童和体弱者。**在没有他人监督的情况下，儿童或体弱者不适宜使用本产品。
- 本产品不适合体力、感官或智力不足以及缺乏经验、知识或技能的人员（包括儿童）使用，除非一旁有能为他们的安全负责的监督人员。不得在无人监管的情况下让儿童接触本产品。

## 组装与调整

**警告:** 为降低严重的人身伤害风险, 在进行任何调整或取出/安装附件或配件之前, 请关闭工具并断开电池组连接。意外启动可能会导致人身伤害。

**警告:** 请只使用 DeWALT 电池组和充电器。

## 插入或取出工具上的电池组 (图 B)

注: 请确保您的电池组 ① 已完全充电。

### 将电池组安装到工具手柄中

1. 将电池组 ① 对齐工具手柄内的轨道 (图 B)。
2. 将电池组滑入手柄内, 使其牢牢地固定在工具内, 并确保您听到其锁定到位的声音。

### 从工具中取出电池组

1. 按下释放按钮 ②, 将电池组从工具握柄中稳妥地拉出。
2. 按本手册充电器部分所述将电池组插入充电器中。

## 电池组电量计 (图 B)

一些 DeWALT 电池组带有一个包含三个绿色 LED 指示灯的电量计, 用于指示电池组内的剩余电量。

按下电量计按钮 ⑭ 不松开, 即可启动电量计。三个绿色 LED 指示灯将以组合方式亮起, 以指示剩余电量。当电池内的电量低于可用限制时, 电量计将不会亮起, 电池将需要重新充电。

注: 电量计仅指示电池组的剩余电量。它并不表示该工具的功能, 且将根据产品组件、温度和最终用户的使用情况而有所不同。

## 皮带扣 (图 C)

### 可选配件

**警告:** 为降低严重的人身伤害风险, 请不要将工具悬挂在头顶上方或用皮带扣悬挂物品。只能使用工作皮带悬挂工具的皮带扣。

**警告:** 为了降低严重人身伤害的危险, 请确保固定皮带扣子的螺丝是牢固的。

**重要信息:** 安装或更换皮带扣时, 只使用提供的螺丝。务必拧紧螺丝。

可使用提供的螺丝 ⑫ 将皮带扣 ⑪ 装到工具的任意一侧, 以方便习惯左手操作或习惯右手操作的用户使用。无需皮带扣时, 可以从工具上拆除。

若要拆除皮带扣, 请取下固定它们的螺丝 ⑫, 然后在另一边重新装上。务必拧紧螺丝。

## 将钻头或附件安装到无锁匙夹头中 (图 D)

**警告:** 不要尝试通过握住夹头前端和打开工具来拧紧钻头 (或任何其它配件)。这可能会导致夹头受损和人身伤害。更换配件时, 请始终锁定触发开关并断开工具的电源连接。

**警告:** 启动工具之前应确保钻头安装稳固。松动的钻头可能会从工具脱落, 从而可能导致人身伤害。

您的工具备有无锁匙夹头 ⑩, 带有一个旋转套管 ⑨, 便于单手操作夹头。如果要插入钻头或其他配件, 请执行下列步骤。

1. 关闭电源并取下电池组。
2. 用一只手抓住夹头的黑色套管, 用另一只手固定工具。逆时针旋转套管以插入所需的配件。

3. 将附件插入夹头约 19 毫米, 然后用一只手顺时针旋转夹头, 另一只手则握住工具, 将附件转紧。您的工具配备一个自动主轴锁装置。凭借此装置, 您只需一只手即可打开和关闭夹头。

请确保在拧紧夹头时用一只手握住夹头套管, 用另一只手握住工具, 以获得最大的紧密性。

若要松开附件, 请重复上述步骤 1 和 2。

## 转速选择 (图 A)

该工具有两种速度设置, 可用于不同作业场景。

注: 工具运行时切勿更改速度。在更改速度之前, 务必等待工具完全停止。


1. 若要选择速度 1 (高扭矩设置), 请关闭工具并让它停止转动。向后滑动转速选择器 ⑦ (远离夹头)。
2. 若要选择速度 2 (高速设置), 请关闭工具并让它停止转动。向前滑动转速选择器 ⑦ (滑向夹头)。

如果工具没有改变速度, 请确认转速选择开关完全啮合在前进或后退位置。

## 模式选择 (图 A)

模式选择环 ⑥ 可根据预定用途以选择正确的操作模式。

如需选择, 请旋转轴环, 直到所需的标识与箭头对齐。

标识	模式
	钻孔
1-15	螺丝安装 (数字越大=扭矩越大)

## 变速触发开关及正/反转控制按钮 (图 A)

电钻通过按下和松开变速触发开关 ④ 开启和关闭。触发开关按得越深, 钻孔速度就越快。您的工具配备制动器。触发开关完全松开时夹头将停止运作。

正/反转控制按钮 ⑤ 可确定工具旋转方向, 并可作为锁定按钮使用。

- 若要选择正向旋转, 请松开触发开关, 然后按下工具右侧的正/反转控制按钮。
- 如果要选择反向旋转, 请按下工具左侧的正/反转控制按钮。

注: 控制按钮的中心位置会将工具锁定在关闭状态。改变控制按钮的位置时, 确保触发开关处于松开状态。

注: 不建议在变速范围内连续使用工具, 否则可能会损坏开关, 因此应尽量避免。

注: 改变旋转方向后第一次运行工具时, 您可能会在启动时听到“咔哒声”。这是正常现象, 并不表示出现问题。

## 操作

### 使用说明

**警告:** 请始终遵守安全守则以及适用规则的要求。

**警告:** 为降低严重的人身伤害风险, 在进行任何调整或取出/安装附件或配件之前, 请关闭工具并断开电池组连接。意外启动可能会导致人身伤害。

## 正确的手持方式 (图 E)

**警告:** 为降低严重的人身伤害风险, 请务必使用正确的手持方式, 如图所示。

**警告:** 为降低严重人身伤害的风险, 请务必紧握工具以防止意外事件。

正确的手持方式要求一只手握住手柄 **3**, 另一只手则握住电池组。

## 工作灯 (图 F)

工作灯 **8** 位于工具的底座上。工作灯将在按压触发开关时启动。松开触发开关后, 工作灯将在照明状态保持 20 秒。

**注:** 工作灯用于照亮紧邻的工作表面, 不能当做手电筒使用。

## 执行应用 (图 A)

**警告:** 为降低人身伤害风险, 请务必确保牢固锚定或夹紧工件。

**警告:** 在改变旋转方向之前, 请务必等到电动机完全停止。

使用前的准备工作:

- 设置转速选择器 **7**。请参见 **转速选择**。
- 将适当的钻头或附件安装到夹头中。请参见 **将钻头或附件安装到无锁匙夹头中**。

**警告:**

- 切勿使用本工具混合或搅动易燃或易爆液体 (汽油、酒精等)。
- 切勿混合或搅拌具有易燃标签的液体。

## 螺丝安装

您的工具备有可调节扭矩的离合器, 以用于拧螺丝和取出各种类型和大小的紧固件。模式选择环 **6** 上的数字用于设定螺丝安装的扭矩范围。轴环上的编号越大, 扭矩越高, 并且可安装的紧固件也越大。

1. 将模式选择环 **6** 转至所需位置。请参见 **模式选择**。
2. 拉动触发开关, 使其与钻头成直线, 直到紧固件位于工件所需的深度。

## 螺丝安装建议

- 务必始终先从较低的扭矩设置开始, 然后再使用较高的扭矩设置以避免损坏工件或紧固件。
- 在工件较小或隐蔽区域进行一些实际运行以确定模式选择环的正确位置。

## 钻孔

1. 将模式选择环 **6** 转至电钻符号。请参见 **模式选择**。
2. 将钻头放置在与工件接触的位置。  
**注:** 请仅使用锋利的钻头。
3. 拉动触发开关以使其与钻头成直线, 直到其位于工件所需的深度。

**警告:** 如果过载, 电钻可能会失速, 从而导致突然扭转。务必预计是否会发生失速。紧握电钻以控制扭转动作, 避免伤害。

4. 从成孔中拉出钻头时, 请保持马达运转, 以避免堵塞。

## 钻孔建议

- 钻孔时, 请始终始终以钻头沿直线施加压力, 但不要大到电机失速或钻头倾斜。
- **如果钻头失速:**
  - 请立即松开触发开关, 从工件上退出钻头, 查找失速的原因。

- 请勿试图通过按下、松开触发开关来启动失速的电钻 - 这会损坏电钻。
- 为尽量减少失速故障或避免钻头在材料中折断, 请降低电钻的压力, 使钻头从孔的最后部分中缓和下来。
- 在钢材上钻大孔 (7.9 毫米至 12.7 毫米) 时, 如果首先钻一个先导孔 (4 毫米至 4.8 毫米), 会比较容易进行。
- 如果在较薄或容易破裂的材料上钻孔, 请使用“垫板”以防止损坏工件。

## 维护

DeWALT 电动工具设计精良, 可以长期使用, 而且只需最少的维护。要持续获得令人满意的工作效果, 需要进行合适的工具维护和定期清洁。

**警告:** 为了降低严重人身伤害的风险, 请在调节或拆卸/安装附件或配件之前关闭工具并断开电池组连接。意外启动可能会导致人身伤害。

充电器和电池组无法维修。



## 润滑

本电动工具无需另行润滑。



## 清洁

**警告:** 一旦看到通风口及其周围积聚了尘屑, 请用干燥的空气将灰尘和尘屑从主机外壳内吹出。执行此过程时, 需戴上经认可的护目装备和防尘面具。

**警告:** 请勿使用溶剂或其它刺激性化学制品来清洁工具的非金属部件。这些化学物质可能会削弱这些部位使用的材料。请用布蘸温和的肥皂水擦拭。切勿让任何液体渗入工具, 切勿让工具的任何部件浸在液体中。

## 可选配件

**警告:** 除了 DeWALT 提供的附件之外, 其他附件都未经此产品兼容性测试, 若将此类附件与本工具一起使用将存在安全隐患。为降低人身伤害风险, 本产品只可使用 DeWALT 推荐的附件。

请向您的经销商咨询更多关于合适附件的信息。

## 保护环境



分类回收。由此符号标记的产品和电池不得与普通家庭垃圾一起处理。

产品和电池包含可恢复或回收的材料, 从而降低对原材料的需求。请根据当地供给回收电子产品和电池。要获得更多信息, 请参看 [www.2helpU.com](http://www.2helpU.com)。

## 充电式电池组

本电池组使用寿命长, 不能提供顺利完成工作所需的电力时, 必须进行充电。电池技术寿命结束时, 请妥善处理以保护环境:

- 耗尽电池组的电力, 然后从工具上拆下。
- 锂离子电池是可回收的。请将它们送往您的经销商处或当地的回收站。回收的电池组将被妥善循环使用或处理。



制造商:百得(苏州)科技有限公司

地 址: 苏州工业园区苏虹中路200号出口加工区

产 地: 江苏苏州

### 产品中有害物质的名称及含量

部件名称	有害物质					
	铅 (Pb)	汞 (Hg)	镉 (Cd)	六价铬 (Cr(VI))	多溴联苯 (PBB)	多溴二苯 醚 (PBDE)
马达组件	O	O	O	O	O	O
机壳组件	O	O	O	O	O	O
控制部件(开关, PCB等)	X	O	O	O	O	O
传动部件	O	O	O	O	O	O
电池包	X	O	O	O	O	O
充电器	X	O	O	O	O	O
附件(钻头/砂轮片 等)	O	O	O	O	O	O
电线组件	X	O	O	O	O	O

本表格依据 SJ/T 11364 的规定编制。

O: 标识该有害物质在该部位所有均质材料中的含量均在 GB/T 26572 规定的限量要求以下。

X: 标识该有害物质至少在该部位的某一均质材料中的含量超出 GB/T 26572 规定的限量要求

备注: 本产品不必包含以上所述的所有部件。由于生产工艺和技术的不可替代性, 本产品中含有某些有害物质, 在环保使用期限内可以放心使用, 超过环保使用期限之后则应进入回收循环系统。

环保使用期限为“电子电气产品中含有的有害物质不会发生外泄或突变, 电子电气产品用户正常使用该电子电气产品不会对环境造成严重污染或对其人身、财产造成严重损害的期限”。



: 环保使用期限为 20 年。此环保使用期限不代表产品的安全使用期限和质量保证年限。

# 無碳刷電鑽調扭起子機

## DCD701

### 恭喜!

感謝您選購 DeWALT 工具。憑藉多年的經驗、完善的產品開發與創新，DeWALT 已成為專業電動工具使用者最可靠的合作夥伴之一。台灣上市之 DeWALT 產品規格、技術資料和訊息，以繁體中文說明為主。

### 技術資料

		DCD701
電壓 (標稱/最大)	伏特 <small>直流</small>	10.8V/12V MAX
電池類型		鋰離子
功率輸出	瓦特	250
空載轉速		
1 檔	轉/分	0-425
2 檔	轉/分	0-1500
最大扭矩 (硬/軟)	Nm	57.5/23.5
夾頭尺寸	公釐	10
最大鑽孔尺寸		
木材	公釐	20
金屬	公釐	10
重量 (不包括電池組)	kg	0.87

最大初始電池電壓 (在無工作負荷的情形下進行測量) 為 12 伏特。標稱電壓為 10.8 伏特。

### 定義：安全指南

以下定義描述了每一個詞彙的嚴重程度。請閱讀本手冊並注意這些符號。



**危險：**表示緊急危險情況，若未能避免，**將導致死亡或嚴重傷害。**



**警告：**表示潛在危險情況，若未能避免，**可能導致死亡或嚴重傷害。**



**小心：**表示潛在危險情況，若未能避免，**可能導致輕微或中度傷害。**

**注意：**表示一種**非人身傷害**的行為，若未能避免，**可能導致財產損失。**



表示觸電危險。



表示火災危險。

電池				充電器/充電時間 (分鐘)					
目錄號	伏特 <small>直流</small>	安時	重量 (千克)	DCB104	DCB107	DCB110	DCB112	DCB115	DCB132
DCB122/DCB127	10.8 (12 Max)	2.0	0.22	30	90	90	60	30	30
DCB123	10.8 (12 Max)	1.5	0.20	23	70	70	45	23	23
DCB124/G	10.8 (12 Max)	3.0	0.25	45	140	140	90	45	45
DCB126/G	10.8 (12 Max)	5.0	0.44	75	240	240	150	75	75

## 電動工具一般安全警告



**警告：**請閱讀本電動工具隨附的所有安全警告、指示、圖示和規格。不遵循下列的所有指示可能會導致觸電、火災及/或嚴重傷害。

請妥善保存所有警告及指示以備將來查閱。

警告中的名詞「電動工具」是指電源驅動（插電）電動工具，或者電池驅動（充電）電動工具。

### 1) 工作場地安全

- 請保持工作場地清潔明亮。雜亂或黑暗的場地會引發事故。
- 不要在易爆環境，如有易燃液體、氣體或塵埃的環境中操作電動工具。電動工具產生的火花可能會引燃粉塵或煙霧。
- 請等待兒童和旁觀者離開之後才操縱電動工具。分心會導致您疏忽於控制。

### 2) 電氣安全

- 電動工具插頭必須與插座相符。切勿以任何方式改裝插頭。需接地的電動工具不能使用任何配接器插頭。未經改裝的插頭和相符的插座可以減少觸電危險。
- 避免人體接觸接地表面，如管道、散熱片、爐灶和冰箱。若您的身體接地，會增加觸電危險。
- 不得將電動工具暴露在雨中或潮濕環境中。水進入電動工具會增加觸電危險。
- 請勿濫用電線。請勿使用電線來搬運、拉動電動工具或拔出插頭。讓電線遠離熱、油、銳邊和活動部件。受損或纏繞的電線會增加觸電危險。
- 若要在戶外使用電動工具，請使用適合戶外使用的延長電線。使用適合戶外使用的電線可減少觸電危險。
- 若必須在潮濕場合使用電動工具，請使用漏電保護器 (RCD)。使用 RCD 可降低觸電風險。

### 3) 人身安全

- 保持警覺；在操作電動工具時，請留意所執行的操作並按照一般的常識執行。請勿在疲倦，或受到藥物、酒精或治療的影響下操作電動工具。操作電動工具期間注意力分散會導致嚴重人身傷害。
- 使用個人防護裝置。始終佩戴護目裝置。防護裝置，例如在適當條件下使用的防護面具、防滑安全鞋、安全帽或聽力保護等裝置可減少人身傷害。
- 避免意外啟動。在連接至電源及/或電池組、抬起或搬運工具之前，請確保開關處於關閉位置。若搬運電動工具時將手指放在開關上，或者在電動工具開關開啟時將插頭插入電源插座，這兩種行為都會引發事故。
- 啟動電動工具之前，請卸下所有的調整鑰匙或扳手。遺留在電動工具旋轉部件上的扳手或鑰匙會導致人身傷害。
- 不要過度伸張雙手。時刻注意腳下與身體的平衡。如此即可在發生意外的情況下更好地控制電動工具。
- 適當穿著。請勿穿寬鬆衣服或佩戴飾品。讓頭髮、衣服和手套遠離活動部件。寬鬆衣服、佩飾或長髮可能會捲入活動部件中。
- 若配備用於連接排屑裝置、集塵設備的裝置，請確定正確連接和使用這些裝置。使用集塵設備可減少與粉塵有關的危險。
- 請勿因頻繁使用而對工具特別熟悉，讓你變得自滿而忽略工具的安全原則。粗心操作可以在片刻間造成嚴重傷害。

### 4) 電動工具的使用與注意事項

- 請勿超負荷使用電動工具。請根據您的應用使用正確的電動工具。若使用的電動工具正確無誤，該工具能以設計額定值更有效、更安全地執行工作。
- 若開關不能開啟或關閉電源，請勿使用該電動工具。若開關無法控制電動工具，則電動工具存在危險，必須予以維修。
- 在執行任何調整、更換配件或儲存電動工具之前，必須從電源上拔掉插頭及/或卸下電池組（若可卸下）。這類防護性措施可降低電動工具意外啟動的風險。
- 將閒置的電動工具儲存在兒童無法接觸的地方，並且不要讓不熟悉電動工具或對這些使用指示不瞭解的人員操作電動工具。未經訓練的使用者操作電動工具會發生危險。
- 維護工具與配件。檢查活動部件是否對準或卡住、破損情況以及是否存在影響電動工具運行的其他情況。若有損毀，必須在使用之前修理電動工具。許多事故都是由於電動工具欠缺維護所導致。
- 保持刀具鋒利和清潔。妥善維護的帶利刃的切削工具不會輕易卡住並可更輕鬆控制。
- 在使用電動工具、配件及刀頭等部件時，請遵循上述指示，並將工作條件與要執行的工作考慮在內。不按照設計目的使用電動工具會導致危險。
- 手柄和抓握表面都應保持乾燥、清潔及遠離油脂。光滑手柄和抓握表面不便於在意外情況下對工具進行安全處理與控制。

### 5) 電池工具的使用與注意事項

- 只能使用製造廠商指定的充電器為電池充電。使用僅適合一種電池組的充電器為其他類型的電池組充電會導致火災危險。
- 請使用原廠的電動工具電池組。使用其他非原廠的電池組會導致人身傷害及火災風險。
- 不使用電池組時，請將其遠離如迴紋針、硬幣、鑰匙、釘子、螺絲以及其他可連通電池兩極的金屬物品。將電池兩極短路會導致灼傷或火災。
- 濫用電池的情況下，液體會從電池中噴出，因此請避免與液體接觸。若不小心接觸液體，請用清水沖洗。若液體噴濺到眼睛上，沖洗之後還要進行治療。從電池噴出的液體會刺激皮膚或造成灼傷。
- 請勿使用已經損壞或改動的電池組或工具。損壞或改動的電池可能表現出不可預計的行為，導致火災、爆炸或傷害風險。
- 請勿讓電池組或工具暴露於火中或過高温度的環境中。暴露於火中或溫度超過 130°C 的環境中可能導致爆炸。
- 請遵循所有充電說明，請勿在說明中規定的溫度範圍以外的環境對電池組或工具充電。不當或在指定範圍以外的溫度下充電，可能導致電池損壞並增加火災風險。

### 6) 檢修

- 本電動工具必須由合格的維修人員並只採用相同的原廠零件來執行檢修。這將確保電動工具的安全性。
- 切勿維修損毀的電池組。電池組的維修僅應由製造商或授權服務提供商執行。



## 所有操作之安全指示

- 若在執行操作時切割配件可能會接觸隱藏的電線，則只能從絕緣手柄表面握住電動工具。若切割配件或固件接觸到「帶電」導線，電動工具的裸金屬部件表面就會「帶電」，從而導致操作人員觸電。

## 長鑽頭之附加安全指示

- 切勿以高於鑽頭最大額定速度的速度運行。在較高的速度下，如果鑽頭在不接觸工件的情況下自由旋轉，則可能會彎曲，進而導致人身傷害。
- 務必以低速開始鑽孔，並確保鑽頭與工件保持接觸。在較高的速度下，如果鑽頭在不接觸工件的情況下自由旋轉，則可能會彎曲，進而導致人身傷害。
- 始終以與鑽頭方向成一直線的方式施加壓力，並且不要施加過大的壓力。鑽頭彎曲可以導致工具破損或失控，進而導致人身傷害。

## 電鑽之附加安全警告

- 使用夾具或採取其他可行的方法，將工件固定、支撐到穩定的平台上。手持或用身體頂住工件都是不穩定的，並會導致操作失控。
- 配件和工具會在作業過程中變熱。若進行放熱應用（如金屬鑽孔），處理時請佩戴手套。
- 通風口通常會蓋住活動部件，應予以避免。寬鬆衣服、佩飾或長髮可能會捲入活動部件。

## 剩餘風險

即使應用有關的安全規定並採用安全設備，仍然還有一些無法避免的剩餘風險。此類風險包括：

- 聽力受損。
- 飛散的顆粒引起的人身傷害風險。
- 操作過程中配件變熱引起的灼傷風險。
- 長時間使用引起的人身傷害風險。

### 妥善保存這些安全指示

## 充電器

DeWALT 充電器無需調節，專為盡可能輕鬆使用而設計。

### 電氣安全

電動機只適用一種電壓。請務必檢查電池組電壓是否與銘牌一致，並且確保充電器的電壓與電源電壓一致。



DeWALT 充電器根據 IEC60335 進行雙重絕緣，因此不需要使用接地線。

若電源線損壞，必須使用 DeWALT 維修機構提供的專用電線進行更換。

### 使用延長電纜

如非絕對必要，否則不要使用延長電纜。請使用與充電器的輸入功率相配的認可延長電纜（請參閱技術資料）。導電體的最小橫截面尺寸為 1 平方公釐，最長為 30 米。

使用電纜捲筒時，每次必須把電纜完全展開。

## 所有電池充電器之重要安全指示

妥善保存這些安全指示：本手冊提供有關相容電池充電器的重要安全和操作指示（請參閱技術資料）。

- 在使用充電器之前，請先閱讀所有指示以及充電器、電池組和使用電池組的產品上的警告標記。



**警告：**觸電危險。切勿讓任何液體進入充電器，否則可能會導致觸電。



**警告：**建議使用漏電流額定值不超過 30 毫安的漏電流保護裝置。



**小心：**灼燒危險。為了減低受傷風險，只能使用 DeWALT 可充電電池。其他非原廠電池可能會爆裂，導致人身傷害和損壞。



**小心：**必須監督小孩，確保他們沒有耍玩具。

**注意：**在某些情況下，充電器連接到電源後，充電器內暴露的充電觸頭會被異物導致短路。導電的異物，包括但不限於鋼絲絨、鋁箔紙或任何由金屬粒子組成的物件，必須要遠離充電器範圍。充電器裡沒有電池組時，一定要拔掉充電器的電源。請先拔掉電源插頭後再清潔充電器。

- 切勿嘗試使用本手冊未提到的充電器替電池組充電。充電器與電池組專為搭配使用而特別設計。
- 除了為 DeWALT 可充電電池充電之外，這些充電器不可以用於其他用途。否則可能會導致火災、觸電或觸電致死。
- 請勿將充電器暴露在雨或雪中。
- 中斷充電器的電源時，請拔除插頭而非拉扯電線。這樣會降低電源插頭及電線損壞的風險。
- 請確保電線的位置不會被踐踏、令人絆倒，或引起其他方式的損壞或受傷。
- 除非絕對需要，否則請勿使用延長電線。使用不適當的延長電線會引起火災、觸電或觸電致死。
- 請勿將任何物件放在充電器上面，或是把充電器放在可能會堵住通風槽的柔軟表面，導致充電器的內部過熱。請將充電器放到遠離熱源的位置。充電器透過外殼頂部及底部的槽散熱。
- 切勿操作電線或插頭損壞的充電器，請立即予以更換。
- 如果充電器受到重擊、墜落或出現其他損壞情況，請勿使用充電器，並拿到授權維修中心修理。
- 切勿自行拆卸充電器。需要維護或修理時，請拿到授權維修中心。重新組裝不當可能會導致觸電、觸電致死或火災。
- 若電源線損毀，必須由製造商、服務代理或類似合格人員立即更換以避免發生危險。
- 在清潔之前，請將充電器的插頭從電源插座上拔掉，這樣可以減低觸電風險。取出電池組並不能降低該風險。
- 切勿試圖將兩個充電器連接在一起。
- 充電器是為標準 110 伏特的家用電源而設計。切勿試圖使用其他電壓。本規定不適用於車載充電器。

## 為電池充電 (圖 B)

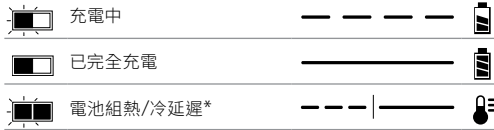
- 放進電池組前，先將充電器的插頭插到適當的插座。
- 將電池組 1 放進充電器，確保電池組已完全放入。紅燈（充電中）會重複閃爍，這表示充電程序已經開始。
- 當紅燈持續亮起時，代表充電完成。此時，電池組的電力全滿，可以立即使用或是留在充電器裡。若要從充電器中卸下電池組，請按下電池組上的電池釋放按鈕 2。

**註：**為了確保鋰離子電池組的效能及使用壽命最大化，在第一次使用電池組之前必須完全充電。

## 充電器操作

如需瞭解電池組的充電狀態，請參閱以下指示燈。

### 充電指示燈



\*紅燈會繼續閃爍，但在執行此操作期間黃色指示燈將亮起。電池組達到適當溫度後，黃色指示燈將熄滅，充電器將恢復充電程序。相容的充電器不會為有故障的電池組充電。充電器會透過不亮燈來表示電池組故障。

**註：**亦有可能是充電器發生故障。

如果充電器指出故障，請將充電器和電池組拿到授權維修中心進行測試。

## 電池組熱/冷延遲

當充電器偵測到電池組過熱或過冷，就會自動啟動電池組熱/冷延遲，在電池組達到適合的溫度之前暫停充電。然後，充電器會自動轉換到電池組充電模式。此功能可確保電池組的使用壽命最大化。

冷電池組的充電速度大約是暖電池組的一半。在整個充電週期，電池組會以較慢的充電速度進行充電，即使電池組變暖，充電速度亦不會回復至最大充電速度。

## 電子保護系統

XR 鋰離子工具的設計具有電子保護系統，可保護電池組，避免過載、過熱或深度放電。

如果電子保護系統啟動，本工具會自動關閉。如果出現此情況，請將鋰離子電池組放進充電器直到電力全滿。

## 牆面安裝

這些充電器經過精心設計，可以安裝在牆面上或立在桌面或工作表面上。若採用牆面安裝，請將充電器安裝在電源插座連接範圍內的位置，並遠離角落或可能阻礙空氣流動的障礙。將充電器的背面用作在牆面上確定安裝螺絲位置的型板。使用長度至少 25.4 公釐、螺頭直徑為 7-9 公釐的牆用螺絲（另售）牢固安裝充電器，旋進木料的最佳深度為螺絲大約有 5.5 公釐長度露在木料外。將露出的螺絲與充電器背面的槽對齊，並完全接合到槽中。

## 充電器清潔指示

**警告：觸電危險。在清潔之前，請將充電器的插頭從 AC 電源插座上拔掉。**使用軟布或非金屬軟刷，去除充電器外部的污垢和油脂。請勿使用水或任何清潔劑。不要讓任何液體進入工具；不要讓工具的任何部分浸入液體中。

## 電池組

### 所有電池組之重要安全指示

購買更換電池組時，務必附上目錄號和電壓資料。

包裝內的電池組並未完全充電。在使用電池組和充電器之前，請先閱讀以下安全指示，並遵循所列的充電程序。

#### 請閱讀所有指示

- 不要在易燃環境，如有易燃液體、氣體或粉塵的環境中進行充電或使用電池。將電池組放進充電器或拆除電池可能會點燃粉塵或氣體。

- 切勿強行將電池放進充電器。切勿以任何方式改裝電池組以在不相容的充電器中使用，否則電池組可能會破裂，導致嚴重人身傷害。
- 只可使用 DeWALT 充電器為電池充電。
- 切勿將水分或其他液體飛濺到電池組或將電池組浸沒。
- 請勿在溫度可能達到或超過 40°C (104°F) 的地方（例如夏季的室外貨棚或金屬建築物）儲存或使用本工具及電池組。
- 即使電池組已嚴重損毀或磨損，請勿焚燒電池組。電池組可能會在火中爆炸。灼燒鋰離子電池組時會產生有毒氣體和物料。
- 如果電池液體接觸到皮膚，請立即以中性肥皂和清水沖洗接觸範圍。若電池液體進入眼睛，請睜開眼睛，用清水沖洗 15 分鐘或直到不適感消失為止。如果需要接受治療，電池的電解質由液化有機碳酸鹽和鋰鹽構成。
- 開啟的電池中的物質可能會導致刺激呼吸道。請轉移至空氣流通處。如果症狀持續，請尋求醫療協助。



**警告：**燒傷危險。電池液如遇到火花或火焰可能會引起燃燒。



**警告：**不論是因為任何理由，都不要嘗試打開電池。如果電池組的外殼破裂或損毀，請勿放進充電器。切勿撞擊、摔落或損毀電池組。切勿使用受到重擊、墜落或出現其他損壞情況的電池組或充電器（例如釘子刺穿、以錘子敲打或踩踏）。否則可能會引起觸電或觸電致死。損毀的電池組應該送回維修中心進行回收。



**警告：火災危險。切勿在儲存或搬運電池組時讓金屬物件接觸暴露的電池兩極。**例如，不要將電池組放在帶有鬆動的釘子、螺絲、鑰匙等的地方（如圍裙、口袋、工具箱、產品包裝箱、抽屜等）。



**小心：不使用工具時，請將工具放在沒有絆倒或墜落危險的穩定表面上。**一些具有大型電池組的工具可以直立但可能會輕易被撞倒。

## 運輸



**警告：火災危險。**電池運輸途中，若兩級意外接觸導電材料，可能會引發火災。運輸電池時，確保電池兩級受到保護並與可能接觸兩級並導致短路的材料隔絕。

**註：**鋰離子電池不應放在託運行李中。

DeWALT 電池符合行業和法律標準（包括聯合國危險貨物運輸建議書、國際航空運輸協會 (IATA) 危險物品處理規則、國際海運危險物品 (IMDG) 處理規則以及國際公路運送危險物品歐洲協議 (ADR) 規定的所有適用運輸規章。鋰離子電池和電池組均已根據《聯合國危險貨物運輸建議書測試與標準手冊》第 38.3 節的規定進行測試。大多數情況下，不會將運輸 DeWALT 電池組歸為完全管制的第 9 類危險品。一般只有在運輸中包含額定能量大於 100 瓦時 (Wh) 的鋰離子電池時，才會將其分歸為完全管制的第 9 類危險品。所有鋰離子電池外殼上均標註有瓦時等級。此外，由於規章的複雜性，DeWALT 不建議對鋰離子電池組單獨採用空運，不論其額定能量是多少瓦時，都是如此。若電池組的額定能量不超過 100 瓦時，可以同時空運工具與電池組（組合套件）。

無論運輸是否納入完全管制範圍內，運輸方均有責任諮詢瞭解針對包裝、標籤/標記及單據要求的最新規定。

手冊本節資訊基於良好商譽原則提供，在編製文件時被視為準確無誤，但不提供任何明示或暗示的保證。買方負有確保其行為遵守適用法規的責任。

## 儲存建議

1. 乾燥、涼爽、太陽不會直接照射、不會過熱或過冷的地方，就是電池組的最佳存放地點。為達到最大效能和使用壽命，不使用電池時請以室溫儲存電池組。
2. 欲長期儲存，建議將電力全滿的電池組從充電器卸下，儲存於涼爽、乾燥處，使電池組效能達到最佳。

**註：**電池組不應在電力耗盡的情況下儲存。在使用之前，電池組必須再次充電。

## 充電器和電池組上的標籤

除了本手冊的圖示之外，充電器及電池組上的標籤包含以下圖示：



使用前請閱讀使用手冊。



充電時間請見**技術資料**。



切勿插入導體。



切勿為損毀的電池組充電。



切勿暴露在水中。



立即更換損壞的電線。



只在溫度介於 4°C 至 40°C 之間充電。



僅供室內使用。



棄置電池組時要顧及環保。



只使用指定的 DeWALT 充電器為 DeWALT 電池組充電。使用 DeWALT 充電器對指定的 DeWALT 電池以外的電池組充電會爆裂或導致其他危險情形。



切勿焚化電池組。

## 電池類型

DCD701 使用 12 伏特電池組。

可以使用以下電池組：DCB122、DCB123、DCB124、DCB124G、DCB126、DCB126G、DCB127。如需詳細資訊，請參閱**技術資料**。

## 套裝內的物件

本套裝包括：

- 1 個 無碳刷電鑽調扭起子機
- 1 個 充電器
- 1 個 皮帶扣 (特定型號隨附)
- 1 個 鋰離子電池組 (C1、D1、S1、L1 型號)
- 2 個 鋰離子電池組 (C2、D2、S2、L2 型號)
- 3 個 鋰離子電池組 (C3、D3、S3、L3 型號)
- 1 本 使用手冊

**註：**N 型號不隨附電池組、充電器和工具箱。NT 型號不隨附電池組和充電器。

**註：**商標及商品名稱歸屬於其各自所有者。

- 檢查工具、部件或配件有否在運送途中損壞。
- 操作前，請抽空徹底地閱讀和掌握本手冊的內容。

## 工具上的標誌

工具上會附帶下列圖示：



使用前請閱讀使用手冊。



請佩戴聽力保護器。



請佩戴護目鏡。



可見輻射。請勿直視光源。

## 日期代碼位置 (圖 A)

日期代碼 **13**，包括製造年份，已經印刷在工具外殼上。

範例：

2022 XX XX

製造年份

## 說明 (圖 A)



**警告：**請勿改動本電動工具或其任何部件，否則可能導致損壞或人身傷害。

- 1 電池組
- 2 電池組釋放按鈕
- 3 主手柄
- 4 變速觸發開關
- 5 正/反轉控制按鈕
- 6 模式選擇環
- 7 速度選擇器
- 8 工作燈
- 9 夾頭套管
- 10 快速夾頭

## 設計用途

本無碳刷電鑽調扭起子機是為專業鑽孔和螺絲安裝而設計。

**請勿**在潮濕有水或存有易燃液體或氣體的環境下使用本工具。

本無碳刷電鑽調扭起子機是專業的電動工具。

**不要**讓兒童接觸本工具。缺乏經驗的操作人員需要在監督下使用本工具。

- **兒童和體弱者。**兒童或體弱者在沒有他人監督的情況下不適宜使用本工具。
- 體力、感覺或智力不足，以及缺乏經驗、知識或技能的人員 (包括兒童) 不適合使用本產品，除非一旁有能為他們安全負責的監督人員。請勿讓兒童單獨接觸本工具。

## 裝配與調整



**警告：**為了減低造成嚴重人身傷害的風險，在進行任何調整或卸下或安裝附件或配件之前，切記關掉工具的電源並取出電池組。意外啟動工具可能會造成傷害。



**警告：**請僅使用 DeWALT 電池組與充電器。

## 安裝和取出電池組 (圖 B)

註：請確保電池組 ① 電力已完全充滿。

### 將電池組安裝到工具手柄中

1. 將電池組 ① 和工具手柄裡的軌道對齊 (圖 B)。
2. 將電池組滑入手柄，直到電池組在工具內緊緊固定並確保聽到鎖定到位的聲音。

### 卸下工具內的電池組

1. 按下電池釋放按鈕 ②，將電池組從工具手柄中穩妥地拉出。
2. 按照本手冊有關充電器的章節所述，將電池組放進充電器。

## 電量計電池組 (圖 B)

一些 DeWALT 電池組帶有包含三個綠色 LED 燈的電量計，可以指示電池組的剩餘電量。

若要啟用電量計，請按下並按住電量計按鈕 ⑭。三個綠色 LED 燈將以組合方式亮起，以指示剩餘電量。電池電量低於可用限值時，電量計不會亮起，此時需要對電池充電。

註：電量計只指示電池組的剩餘電量。它並不指示工具功能，且根據工具組件、溫度和最終使用者的應用而有所不同。

## 皮帶扣 (圖 C)

### 選購配件



**警告：**為了減低造成嚴重人身傷害的風險，切勿將工具懸吊於頭頂或用皮帶扣懸吊物件。只可以用工作皮帶懸掛工具的皮帶扣。



**警告：**為了減低造成嚴重人身傷害的風險，請確保固定皮帶扣的螺絲已緊固。

**重要：**安裝或更換皮帶扣時，請僅使用提供的螺絲。確保扭緊螺絲。可根據使用者慣用左手或右手，僅使用提供的螺絲 ⑫ 將皮帶扣 ⑪ 固定在工具的任意一側。如果不需要使用皮帶扣，則可將其從工具上卸下。

若要移動皮帶扣，請卸下將其固定到位的螺絲 ⑫，然後在反面重新安裝。確保扭緊螺絲。

## 將鑽頭或配件安裝至快速夾頭 (圖 D)



**警告：**不要嘗試透過握住夾頭前部並啟動工具來擰緊鑽頭 (或任何其它附件)。這可能會導致夾頭損壞和人身傷害。更換配件時，務必鎖定觸發開關並斷開工具電源。



**警告：**啟動工具之前應確保鑽頭安裝穩固。鬆動的鑽頭可能會從工具脫落，從而可能導致人身傷害。

您的工具配備快速夾頭 ⑩，帶有一個旋轉套管 ⑨，以方便單手操作夾頭。若要插入鑽頭或其他配件，請執行以下步驟。

1. 關閉電源並將電池組卸下。
2. 用一隻手抓住夾頭的黑色套管，用另一隻手固定工具。逆時針旋轉套管到可接受所需配件的程度。
3. 將配件插入夾頭約 19 公釐處，然後用一隻手順時針旋轉夾頭，另一隻手則握住工具，將配件擰緊。您的工具配有一個自動軸心鎖機構。藉助此機構，您只需一隻手即可開啟和關閉夾頭。

擰緊夾頭時，務必用一隻手握住夾頭套管，用另一隻手握住工具，以獲得最大的緊密性。

若要鬆開配件，請重複上述步驟 1 和 2。

## 速度選擇 (圖 A)

本工具備有兩種速度設定，以獲得更大的適用性。

註：工具運轉時不要改變速度。改變速度之前，務必等待工具完全停止。

1. 若要選擇速度 1 (高扭矩設定)，請關閉工具並讓它停止轉動。將速度選擇器 ⑦ 向後滑動 (遠離夾頭)。
2. 若要選擇速度 2 (高速設定)，請關閉工具並讓它停止轉動。將速度選擇器 ⑦ 向前滑動 (滑向夾頭)。

如果工具沒有改變速度，請確認已將速度選擇開關完全推向正轉或反轉位置。

## 模式選擇 (圖 A)

視乎應用而定，可使用模式選擇環 ⑥ 選擇所需的操作模式。

若要使用，請旋轉模式選擇環直到所需的符號與箭頭對齊。

符號	模式
	鑽孔
1-15	螺旋操作 (數字越大 = 扭矩越高)

## 變速觸發開關和正/反轉控制按鈕 (圖 A)

電鑽透過拉動和鬆開變速觸發開關 ④ 來開啟和關閉。您愈用力擠壓觸發器，電鑽便會以愈快的速度運轉。本工具配有制動器。一旦完全鬆開觸發開關，夾頭就會馬上停止。

正/反轉控制按鈕 ⑤ 決定工具的旋轉方向，同時具備鎖定關閉功能。

• 若要選擇正轉，請鬆開觸發開關，然後按下工具右邊的正/反轉控制按鈕。

• 若要選擇反轉，請按下工具左邊的正/反轉控制按鈕。

註：當控制按鈕處於中心位置時，工具會被鎖定在關閉位置。要改變控制按鈕的位置時，請確保觸發器已經鬆開。

註：不建議在變速範圍內進行持續使用。這會損壞開關，應當避免。

註：當您改變轉動方向後第一次操作工具，您可能會在啟動時聽到卡嗒聲。這是正常現象，不代表工具故障。

## 操作

### 使用說明



**警告：**務必遵守安全指示和適用的規則。



**警告：**為了減低造成嚴重人身傷害的風險，在進行任何調整或卸下或安裝附件或配件之前，切記關掉工具的電源並取出電池組。意外啟動工具可能會造成傷害。

## 正確的雙手放置位置 (圖 E)



**警告：**為了減低造成嚴重人身傷害的風險，請務必如圖所示正確放置雙手。



**警告：**為了減低造成嚴重人身傷害的風險，預期有突然反應時務必握緊。

正確的雙手放置位置是將一隻手放在主手柄 ③ 上，另一隻手握住電池組。



## 工作燈 (圖 F)

工作燈 8 位於工具的底座上。按壓觸發開關時，工作燈就會亮起。鬆開觸發器後，工作燈將保持點亮達 20 秒鐘。

**註：**工作燈用於照亮緊鄰的工作表面，而不是設計作為手電筒。

## 執行應用 (圖 A)

**警告：**為了減低造成人身傷害的風險，務必確保工件已穩固地固定或夾住。

**警告：**在更改旋轉方向之前，請務必等待直到電動機完全停止。

**操作之前：**

- 設定速度選擇器 7。請參閱 **速度選擇**。
- 把適當的鑽頭或配件安裝到夾頭中。請參閱 **將鑽頭或配件安裝至快速夾頭**。

**警告：**

- 請勿使用本工具來混合或泵打易燃或易爆液體（揮發油、酒精等）。
- 請勿使用本工具來混合或攪拌標有易燃標記的液體。

## 螺旋操作

您的工具具有可調節扭矩的離合器，用來安裝和取出各種形狀和大小的扣件。模式選擇環 6 上的數字用於設定螺旋操作的扭矩範圍。調整環上的數字越大，扭矩越高，且可安裝的扣件也越大。

- 將模式選擇環 6 轉至所需位置。請參閱 **模式選擇**。
- 拉動觸發開關並以與鑽頭方向成一直線的方式施加壓力，直至扣件固定在工件中的所需深度。

## 螺旋操作建議

- 先從較低的扭矩設定開始，然後再使用較高的扭矩設定以避免損壞工件或扣件。
- 在工件較小或隱蔽區域進行一些實際運轉以確定模式選擇環的正確位置。

## 鑽孔

- 將模式選擇環 6 轉至電鑽符號。請參閱 **模式選擇**。
- 確保鑽頭與工件保持接觸。  
**註：**請僅使用鋒利的鑽頭。
- 拉動觸發開關並以與鑽頭方向成一直線的方式施加壓力，直至達到所需深度。

**警告：**如果過載，電鑽可能會失速，導致突然旋轉。請保持警覺，並隨時有失速的心理準備。緊握電鑽以控制旋轉動作，避免傷害。

- 將鑽頭從已鑽好的洞拔出時，讓電機保持運轉以防止卡死。

## 鑽孔建議

- 鑽孔時，請始終沿直線以鑽頭施壓，但不要太用力以致電機失速或鑽頭偏斜。
- 如果電鑽失速：**
  - 請立即鬆開觸發器，從工件上退出鑽頭，查找失速的原因。
  - 不要按下又鬆開觸發器以試圖啟動失速的電鑽 — 這會損壞電鑽。
  - 為儘量減少失速故障或避免鑽頭在材料中折斷，請降低對電鑽的壓力，使鑽頭從孔的最後部分中緩和下來。
- 在鋼材上鑽大孔 (7.9 公釐至 12.7 公釐) 時，如果先鑽一個導向孔 (4 公釐至 4.8 公釐)，操作會更容易。

- 若要在薄材料或容易碎裂的材料上鑽孔，請使用木塊墊住以防工件損壞。

## 維護

DEWALT 電動工具採用卓越的設計，能夠長時間使用，並且只需最少的維護。若要持續獲得滿意的操作效果，需進行正確的工具維護和定期的清潔。

**警告：**為了減低造成嚴重人身傷害的風險，在進行任何調整或卸下或安裝附件或配件之前，切記關掉工具的電源並取出電池組。意外啟動工具可能會造成傷害。

充電器和電池組是不可檢修的裝置。



## 潤滑

本電動工具毋需額外潤滑。



## 清潔

**警告：**一旦通風口及其周圍積聚可見的粉塵，請立即使用乾燥的壓縮空氣吹掉主機外殼內的粉塵和灰塵。執行此步驟時，請佩戴經認可的護目裝備和防塵面罩。

**警告：**切勿使用溶劑或其他刺激性化學品來清潔工具的金屬部件。這些化學品可能會削弱零件中使用的材料。只能使用抹布蘸中性肥皂水進行清潔。不要讓任何液體進入工具；不要讓工具的任何部分浸入液體中。

## 選購配件

**警告：**由於非 DEWALT 所提供的配件未在本產品上進行過使用測試，在本產品上使用這些附件可能發生危險。為降低傷害危險，在本產品上只應使用 DEWALT 所推薦的配件。

如需進一步瞭解適用配件的相關資訊，請洽詢當地代理商。

## 保護環境



分開收集。帶有此標誌的產品和電池必須與一般家庭廢物分開處置。

產品和電池包含可重複使用或回收的材料，可降低對原材料的需求。請根據當地法規回收電氣產品和電池。更多資訊，請造訪 [www.2helpU.com](http://www.2helpU.com)。

## 可充電電池組

本電池組使用壽命長，如無法完成理應輕鬆完成的工作時，必須為電池組充電。在使用壽命結束時，請妥善處置以保護我們的環境：

- 使電池完全放電，然後將它從工具中卸下。
- 鋰離子電池是可回收的。請將它們送往您的代理商或當地的回收站。所收集的電池組將會再循環利用或妥善處置。

進口商：新加坡商百得電動工具(股)公司台灣分公司

地址：台北市士林區德行西路 33 號 2 樓

電話：02-28341741

總經銷商：永安實業股份有限公司

地址：新北市三重區新北大道二段 137 號

電話：02-29994633

# 컴팩트 드릴 드라이버

## DCD701

### 축하합니다!

DEWALT 공구를 선택해 주셔서 감사합니다. 제품 개발과 혁신을 통한 다년간의 경험은 DEWALT를 전문 전동 공구 사용자들이 가장 믿을 수 있는 제품으로 만들어 왔습니다.

### 기술 데이터

		DCD701	
전압	$V_{DC}$	10.8V/12V MAX	
배터리 유형		리튬 이온	
소비 전력	W	250	
무부하 속도			
1단 기어	분 <sup>-1</sup>	0-425	
2단 기어	분 <sup>-1</sup>	0-1500	
최대 토크(하드/소프트)	Nm	57.5/23.5	
척 용량	mm	10	
최대 드릴 용량			
목재	mm	20	
금속	mm	10	
무게(배터리 팩 제외)	kg	0.87	

최대 초기 배터리 전압(작업 부하 없이 측정됨)은 12V(볼트)입니다.  
공칭 전압은 10.8V(볼트)입니다.

### 정의: 안전 지침

다음 정의는 각 경고 문구의 심각도를 설명합니다. 사용 설명서를 읽고 다음 기호들에 유의하십시오.



**위험:** 절박한 위험 상태를 나타내며, 방지하지 않으면 **사망** 또는 **심각한 부상을 초래합니다.**



**경고:** 잠재적 위험 상태를 나타내며, 방지하지 않으면 **사망** 또는 **심각한 부상을 초래할 수 있습니다.**



**주의:** 잠재적으로 위험한 상태를 나타내며, 방지하지 않으면 **경미하거나 가벼운 부상을 초래할 수 있습니다.**

**참고:** 신체 부상을 초래하지 않는 행위를 나타내며 방지하지 않으면 **재산상의 손해**가 발생할 수 있습니다.



감전 위험을 나타냅니다.



화재 위험을 나타냅니다.

배터리				충전기/충전 시간(분)					
카탈로그 번호	$V_{DC}$	Ah	무게 (kg)	DCB104	DCB107	DCB110	DCB112	DCB115	DCB132
DCB122/DCB127	10.8 (12 Max)	2.0	0.22	30	90	90	60	30	30
DCB123	10.8 (12 Max)	1.5	0.20	23	70	70	45	23	23
DCB124/G	10.8 (12 Max)	3.0	0.25	45	140	140	90	45	45
DCB126/G	10.8 (12 Max)	5.0	0.44	75	240	240	150	75	75

## 전동 공구에 관한 일반 안전 경고



**경고:** 이 전동 공구와 함께 제공되는 모든 안전 경고와 지시사항, 설명 및 사양을 읽으십시오. 아래 설명한 모든 지시 사항을 따르지 않으면 감전, 화재 및/또는 심각한 부상을 초래할 수 있습니다.

**항후 참고할 수 있도록 모든 경고 및 지시 사항을 보관해두십시오.**

경고에서 사용된 "전동 공구"라는 용어는 주 공급 전원에 의해 전기가 공급되는(유선) 전동 공구 또는 충전식(무선) 전동 공구를 의미합니다.

### 1) 작업장 안전

- 작업장을 항상 청결하고 밝게 유지하십시오.** 혼잡하거나 어두운 작업장에서는 사고가 발생하기 쉽습니다.
- 가연성 액체, 가스 또는 먼지 등이 있는 폭발성 대기에서 전동 공구를 사용하지 마십시오.** 전동 공구에서 먼지나 가스를 발화시킬 수 있는 불꽃이 될 수 있습니다.
- 전동 공구로 작업하는 동안에는 어린이와 주변 사람들이 작업 영역에 가까이 들어오지 못하도록 하십시오.** 주변이 산만해져 통제력을 잃을 수 있습니다.

### 2) 전기 안전

- 전동공구의 플러그는 콘센트와 형식이 일치해야 하며, 플러그를 어떤 형태로든 개조하지 마십시오.** 또한 접지된 전동공구에 다른 어댑터 플러그를 사용하지 마십시오. 개조되지 않은 플러그 및 형식이 일치하는 콘센트를 사용하면 감전 위험이 줄어듭니다.
- 파이프 관, 라디에이터, 렌즈, 방장고 등의 접지 표면에 물이 닿지 않도록 하십시오.** 몸에 닿을 경우 감전이 될 위험이 높아집니다.
- 전동 공구를 비 또는 습한 환경에 노출하지 않도록 주의하십시오.** 전동 공구에 물이 들어가면 감전 위험이 높아집니다.
- 코드를 함부로 다루지 마십시오. 코드를 사용하여 전동공구를 운반하거나, 코드를 과도하게 잡아당겨서 플러그를 뽑지 않도록 주의 하십시오.** 전열코드가 열기 또는 오일과 접촉되는 것을 피하고, 날카로운 모서리 또는 기기의 기동 부위에 닿지 않도록 주의 하십시오. 코드가 손상되거나 얽혀 있으면 감전 위험이 높아집니다.
- 전동 공구를 실외에서 사용할 때는 실외 사용에 적합한 연장 코드를 사용하십시오.** 실외 사용에 적합한 코드를 사용하면 감전 위험이 줄어듭니다.
- 전동공구를 습한 공간에서 사용할 경우, 반드시 누전 차단기(RCD)를 사용하십시오.** RCD를 사용하면 감전 위험이 줄어듭니다.

### 3) 신체 안전 사항

- 전동 공구로 작업할 때는 방심하지 말고 작업에 주의하면서 상식에 따르십시오.** 피곤한 상태이거나 약물, 술, 치료제를 복용한 상태에서는 전동 공구를 사용하지 마십시오. 전동 공구를 사용하다 잠깐만 한 눈을 팔아도 심각한 부상을 당할 수 있습니다.
- 신체 보호 장비를 착용하십시오.** 항상 보안경을 착용하십시오. 적절한 상황에서 방진 마스크, 미끄럼 방지 안전화, 안전모 또는 청력 보호 기구 등의 보호 장비를 사용하면 신체 부상 위험이 줄어듭니다.

- 의도하지 않은 장비 가동 방지.** 전원 및/또는 배터리 팩에 연결한 상태로 공구를 선택 또는 운반할 때는 사전에 스위치가 꺼짐 위치에 있는지 반드시 확인하십시오. 스위치가 꺼짐 위치에 있는 상태에서 스위치에 손가락이 닿은 상태로 전동 공구를 운반하거나 전동 공구에 전원을 공급하면 사고가 발생할 수 있습니다.
- 전동 공구를 켜기 전에 모든 조정 키 또는 렌치를 제거하십시오.** 전동 공구의 회전 부품에 렌치나 키가 부착되어 있으면 부상을 당할 수 있습니다.
- 무리하게 팔을 뻗지 마십시오.** 항상 올바른 자세로 서서 균형을 유지하십시오. 안정된 자세로 작업을 할 경우 전동 공구를 안전하게 사용할 수 있습니다.
- 적절한 의복을 착용하십시오.** 헐렁한 옷이나 장신구를 착용하지 마십시오. 머리카락과 옷이 움직이는 부품에 닿지 않도록 유의하십시오. 헐렁한 옷, 장신구 또는 긴 머리카락이 움직이는 부품에 걸릴 수 있습니다.
- 먼지 배출 및 집진 시설 연결을 위한 장치가 제공된 경우, 이를 장치가 연결되어 적절히 사용되고 있는지 반드시 확인하십시오.** 집진 장치를 사용하면 먼지와 관련된 위험을 줄일 수 있습니다.
- 장치를 자주 사용함으로써 생긴 익숙함으로 인해 현실에 अनु하거나 공구 안전 원칙을 무시하지 않도록 하십시오.** 부주의한 작동은 순식간에 심각한 부상을 야기할 수 있습니다.

### 4) 전동 공구 사용 및 관리

- 전동 공구에 무리한 힘을 가하지 마십시오.** 해당 용도에 맞는 올바른 전동 공구를 사용하십시오. 올바른 전동 공구를 사용해야 설계된 속도로 작업을 더욱 안전하고 정확하게 수행할 수 있습니다.
- 켜지지 않거나 꺼지지 않는 경우 전동 공구를 사용하지 마십시오.** 스위치로 제어되지 않는 전동 공구는 위험하므로 수리해야 합니다.
- 전동 공구를 조정하거나 액세스리를 변경하거나 보관하기 전에 전동 공구에서 분리되는 경우 전원에서 플러그를 뽑거나 또는 배터리 팩을 분리하십시오.** 이러한 예방적 안전 조치를 따라야 전동 공구가 갑자기 작동할 위험이 줄어듭니다.
- 전동 공구로 작업하는 전동 공구의 손이 닿지 않는 곳에 보관하고, 전동 공구나 본 지시 사항에 익숙하지 않은 사람이 전동 공구를 절대 사용하지 못하게 하십시오.** 전동 공구는 훈련을 받지 않은 사용자가 다루면 위험합니다.
- 전동 공구 및 액세스리 유지 보수.** 움직이는 부품의 잘못된 정렬이나 비인딩, 부품 파손 및 기타 전동 공구의 작동에 영향을 미칠 수 있는 기타 모든 상태를 확인하십시오. 손상된 부분이 있는 경우 사용하기 전에 전동 공구를 수리하십시오. 많은 사고는 전동 공구를 제대로 유지 보수하지 않아 발생합니다.
- 공구를 깨끗한 상태로 유지하십시오.** 질삭 가장자리를 예리하게 잘 유지하면 질삭기를 사용할 때 비인딩이 적고 다루기가 용이합니다.
- 작업 환경과 수행할 작업을 고려하여, 본 지시 사항에 따라 전동 공구, 액세스리 및 볼트 등을 사용하십시오.** 본 사용 설명서의 내용과 다른 용도로 전동 공구를 사용하면 위험한 상황이 발생할 수 있습니다.
- 핸들과 잡는 표면은 건조하고 깨끗한 상태를 유지하고 오일/기름이 묻지 않도록 하십시오.** 미끄러운 핸들과 잡는 면은 예기치 못한 상황에서 안전한 취급과 공구 관리를 보장하지 않습니다.

### 5) 배터리 공구 사용 및 주의 사항

- a) **다시 충전할 때는 제조업체에서 지정한 충전기만 사용하십시오.**  
하나의 배터리 팩 유형에 적합한 충전기를 다른 배터리 팩과 함께 사용할 경우 화재의 위험이 있습니다.
- b) **전동 공구를 사용할 때는 구체적으로 지정되어 있는 배터리 팩만 사용하십시오.** 다른 배터리 팩을 사용하면 부상을 입거나 화재의 위험이 있습니다.
- c) **배터리 팩을 사용하지 않을 때에는 클립, 동전, 키, 못, 나사 등의 금속 물체나, 단자 간에 연결할 수 있는 작은 금속 물체가 닿지 않도록 멀리 두십시오.** 배터리 단자가 단락되면 화상을 입거나 화재의 위험이 있습니다.
- d) **배터리를 과다 사용하면 액체가 배터리에서 흘러 나올 수 있으므로, 접촉을 피하십시오.** 실수로 접촉한 경우에는 물로 씻으십시오. 액체가 눈에 들어간 경우 치료를 받으십시오. 배터리에서 나온 액체는 통증을 유발하거나 화상을 입힐 수 있습니다.
- e) **손상되거나 변경된 배터리 팩 또는 공구를 사용하지 마십시오.** 손상되거나 개조된 배터리는 예측할 수 없는 작용을 보여, 화재, 폭발 또는 부상 위험을 야기할 수 있습니다.
- f) **배터리 팩 또는 공구를 불이나 과도한 온도에 노출하지 마십시오.** 불 또는 130°C 이상의 온도에 노출되면 폭발할 수 있습니다.
- g) **모든 충전 지침을 따르고 배터리 팩 또는 공구를 설명서에 지정된 범위 밖의 온도에서 충전하지 마십시오.** 적절하지 않게 충전하거나 지정된 범위 밖의 온도에서 충전하면 배터리가 손상되어 화재 위험이 증가될 수 있습니다.

### 6) 정비

- a) **자격을 갖춘 기술자가 동일 교체 부품을 사용하여 정비 작업을 수행해야 합니다.** 그레야 전동 공구의 안전이 보장됩니다.
- b) **손상된 배터리 팩을 정비하지 마십시오.** 배터리팩은 제조업체 또는 공인서비스공급업체를 통해서만 점검을 받아야 합니다.

## 모든 조작에서의 안전 지시 사항

- **절삭 액세서리 또는 패스너가 숨겨진 배선에 접촉할 수 있는 작업을 수행할 때는 절연된 손잡이 표면만 닿도록 하여 전동 공구를 잡으십시오.** "전류가 흐르는" 전선에 접촉된 절삭 액세서리 또는 패스너는 전동 공구의 노출된 금속 부품을 "전류가 흐르는" 상태로 만들어 작업자를 감전시킬 수 있습니다.

## 긴드릴 비트 사용 시 안전 지침

- **드릴 비트의 최대 정격 속도보다 더 높은 속도에서 조작하지 마십시오.** 고속에서는, 작업물에 닿지 않고 자유롭게 돌아가도록 하는 경우 비트가 구부러져 부상을 입을 수 있습니다.
- **항상 저속에서 비트 팁이 작업물에 닿은 상태에서 드릴 작업을 시작하십시오.** 고속에서는, 작업물에 닿지 않고 자유롭게 돌아가도록 하는 경우 비트가 구부러져 부상을 입을 수 있습니다.
- **비트와 직선을 이룬 상태에서 압력을 가하고 과도한 압력을 주지 마십시오.** 비트가 구부러져 파손되거나 제어력을 잃을 수 있고, 부상을 초래할 수 있습니다.

## 드릴에 대한 추가 안전 경고

- **클램프 또는 다른 적절한 방식을 이용하여 안정된 작업대에 작업 공구들을 고정 및 지지하십시오.** 작업물을 손으로 잡거나 몸에 지지하는 행동은 불안정하며, 제어력을 잃을 수 있습니다.
- **작업 중에는 액세서리와 공구가 뜨거워질 수 있습니다.** 금속 드릴 등 열이 발생하는 작업을 수행하는 경우에는 취급 시 장갑을 착용하십시오.

- **통풍구가 움직이는 부품을 가로막는 경우가 종종 발생하는데 이를 피해야 합니다.** 회전한 못, 장사구 또는 긴 머리가 움직이는 부품에 걸 수 있습니다.

## 기타 발생 가능한 위험

관련된 안전 규정을 준수하고 안전 장치를 사용한다고 해도 특정한 위험은 피할 수 없습니다. 이러한 위험은 다음과 같습니다.

- 청력 손상.
- 파편 날림으로 인한 신체 부상 위험.
- 작업 중 뜨거워지는 액세서리로 인한 화상 위험.
- 장시간 사용으로 인한 신체 부상의 위험.

**본 지침을 잘 보관해 두십시오.**

## 충전기

DEWALT 충전기는 어떠한 조절 작업도 필요 없으며 최대한 작동하기 쉽게 설계되었습니다.

### 전기 안전

전기 모터는 한 가지 전압에만 맞추어 설계되었습니다. 배터리 팩 전압이 명판에 기재된 전압과 일치하지는 항상 확인하십시오. 또한 충전기의 전압이 주전원의 전압과도 일치하지는 확인하십시오.



DEWALT 충전기는 IEC60335에 따라 이중 절연되어 있습니다. 따라서 접지선이 필요하지 않습니다.

전원 코드가 손상된 경우에는 DEWALT 서비스 센터를 통해 특수 제작된 코드로 교체해야만 합니다.

### 연장 케이블 이용

연장 코드는 가끔씩 사용하지 마십시오. 사용 중인 전원공급기 정격전원에 맞는 승인된 연장 코드를 사용하십시오. (기술 데이터 참조). 최소 도체 크기는 1 mm<sup>2</sup>, 최대 길이는 30 m입니다. 케이블 릴을 사용할 때는 항상 케이블을 완전히 푸십시오.

## 모든 배터리 충전기에 대한 중요한 안전 지침

**본 지침을 잘 보관해 두십시오.** 본 사용 설명서에는 호환이 되는 배터리 충전기에 대한 중요한 안전 및 작업 지침이 포함되어 있습니다. (기술 데이터 참조).

- 충전기를 사용하기 전에 충전기, 배터리 팩, 그리고 배터리 팩 관련 제품에 대한 지침과 주의 표시를 숙지하십시오.



**경고:** 감전 위험. 충전기 내부에 액체가 들어가지 않도록 하십시오. 감전되지 마십시오.



**경고:** 정격 전류 전류가 30mA 미만인 누전 차단기를 사용하는 것이 좋습니다.



**주의:** 화상 위험. 신체 부상의 위험을 줄이려면 DEWALT 충전용 배터리로만 충전하십시오. 다른 유형의 배터리는 폭발로 인한 신체 부상과 손상을 초래할 수 있습니다.



**주의:** 어린이가 본 제품을 가지고 놀지 못하도록 항상 주의해야 합니다.

**참고:** 특정 조건에서, 충전기가 전원 공급기에 연결되어 있으면 충전기 내부에 노출된 충전 접점이 이물질에 의해 단락될 수 있습니다. 철부스레기, 알루미늄 호일, 금속 입자 축적물 등의 전도성 이물질은 충전기 캐비티에 닿지 않게 해야 합니다. 캐비티 안에 배터리 팩이 없을 경우 항상 배터리 전원 공급기에서 충전기의 플러그를 뽑으십시오. 충전기를 청소할 때는 플러그를 뽑아야 합니다.



- **본 사용 설명서에서 명시된 충전기 외의 다른 충전기로 배터리 팩을 충전하지 않습니다.** 본 충전기와 배터리 팩은 함께 사용하도록 특수 설계되었습니다.
- **이러한 충전기는 DeWALT 충전용 배터리 충전 이외의 용도로는 사용할 수 없습니다.** 다른 용도로 사용하면 화재, 감전 또는 감전사의 위험이 있습니다.
- **충전기가 비나 눈을 맞지 않도록 하십시오.**
- **충전기를 분리할 경우 코드가 아니라 플러그를 뽑으십시오.** 그레아만 전기 플러그 및 코드 손상의 위험이 줄어듭니다.
- **코드가 밟히거나 걸리거나 기타 원인에 의해 손상되거나 압박을 받지 않도록 유의하십시오.**
- **불가피한 경우가 아니면 연장 코드를 사용하지 마십시오.** 연장 코드를 잘못 사용하면 화재, 감전 또는 감전사의 위험이 있습니다.
- **충전기 위에 물건을 올려놓거나 부드러운 표면에 충전기를 두면 통풍구가 막혀 내부가 과열될 수 있습니다.** 충전기는 열원에 가까이 두지 마십시오. 충전기는 하우징의 상단과 하단에 있는 구멍을 통해 환기됩니다.
- **코드나 플러그가 손상된 충전기를 작동시키지 마십시오 — 즉시 교체하십시오.**
- **심한 충격을 받았거나 떨어뜨렸거나 어떠한 식으로든 손상된 경우에는 충전기를 작동시키지 마십시오.** 공인 서비스 센터로 가져가십시오.
- **충전기를 분해하지 마십시오.** 서비스나 수리가 필요한 경우에는 공인 서비스 센터로 가져가십시오. 잘못 재조립하면 감전, 감전사 또는 화재의 위험이 있습니다
- **전원 코드가 손상된 경우 사고 방지를 위해 제조업체, 서비스 대리점 또는 이에 준하는 유자격 수리 기술자를 통해 즉시 교체하십시오.**
- **청소하려면 먼저 충전기를 콘센트에서 분리하십시오. 그레아 감전 위험이 줄어듭니다.** 배터리 팩을 제거하는 것만으로 이러한 위험이 줄어들지는 않습니다.
- **절대로 충전기 두 개를 함께 연결하지 마십시오.**
- **충전기는 가정용 표준 전력(220-240V)으로 작동하도록 설계되어 있습니다. 다른 전압에서는 사용하지 마십시오.** 차량용 충전기는 제외됩니다.

\*빨간색 표시등이 계속 깜박거리지만, 노란색 표시등은 이 작동 동안 계속 켜져 있습니다. 배터리 팩이 적정 온도에 도달하면, 노란색 표시등이 꺼지고 충전기에서 충전 절차를 다시 시작합니다.

이 호환 충전기는 결합이 있는 배터리 팩은 충전하지 못합니다. 등이 켜지지 않도록 하여 배터리에 결합이 있음을 표시합니다.

**참고:** 이는 충전기 고장을 의미할 수도 있습니다.

충전기에 문제가 표시되는 경우 충전기와 배터리 팩을 공인 서비스 센터로 가져 가서 테스트를 받아 보십시오.

**냉/은 팩 지연**

충전기에서 너무 뜨겁거나 차가운 배터리 팩이 감지되면, 냉/은 팩 지연이 자동으로 시작되어 배터리 팩이 적절한 온도가 될 때까지 충전이 중단됩니다. 이 과정이 끝나면 충전기가 자동으로 팩 충전 모드로 전환됩니다. 이 기능은 배터리 팩 수명을 최대한으로 보장하기 위한 것입니다.

차가운 배터리 팩은 따뜻한 배터리 팩보다 더 느린 속도로 충전됩니다. 충전 사이클 전체에 걸쳐 배터리 팩은 이렇게 느린 속도로 충전되며 배터리 팩이 따뜻해지더라도 최대 충전 속도로 복원되지 않습니다.

**전자 보호 시스템**

XR 리튬이온 배터리 팩은 배터리에 과부하가 걸리거나 과열 또는 완전 방전되는 것을 방지하는 전자 보호 시스템으로 설계되었습니다.

이 공구는 전자 보호 시스템이 작동하면 자동으로 꺼집니다. 이러한 경우 리튬 이온 배터리가 완전히 충전될 때까지 충전기에 리튬 이온 배터리 팩을 넣으십시오.

**벽 장착**

이들 충전기는 테이블 또는 작업 표면에 똑바로 세우거나 벽에 장착할 수 있도록 설계되었습니다. 벽에 장착하는 경우, 충전기는 전기 콘센트에 닿을 수 있는 범위 내에 놓고, 공기 흐름이 방해될 수 있는 코너 또는 기타 장애물로부터 멀리 두십시오. 벽에서 장착 나사의 위치는 견본용 충전기의 뒤쪽을 사용하십시오. 나사 머리 직경이 7~9 mm 인 최소 25.4 mm 길이의 석고보드 나사(별도 구매)를 사용해서 충전기를 단단히 장착하고, 노출된 나사의 약 5.5 mm를 남겨 두고 최적의 길이로 목체에 고정합니다. 충전기 뒤쪽의 구멍을 노출되어 있는 나사에 맞추고 구멍에 완전히 맞물리도록 하십시오.

**충전기 청소 지침**

**⚠ 경고: 감전 위험. 청소하려면 먼저 충전기를 AC 콘센트에서 분리하십시오.** 헝겊이나 부드러운 비금속성 브러시로 충전기 외관 부분에 묻은 먼지 및 기름을 제거할 수 있습니다. 물이나 세척제를 사용하지 마십시오. 공구 내부에 액체를 넣거나 공구 부품을 액체에 담그는 행동은 절대 금물입니다.

**배터리 팩**

**모든 배터리 팩에 대한 중요한 안전 지침**

배터리 팩을 교체하기 위해 주문할 때는 카탈로그 번호와 전압을 반드시 확인하고 표기해야 합니다.

배터리 팩은 포장박스에서 꺼낼 때 완전히 충전된 상태가 아닙니다. 배터리 팩과 충전기를 사용하기 전에 아래 안전 지침을 숙독하십시오. 그런 다음 설명된 충전 절차를 따르십시오.

**모든 지시 사항을 읽으십시오.**

- **가연성 액체, 가스 또는 먼지 등 폭발 위험이 있는 환경에서 배터리를 충전하거나 사용하지 마십시오.** 배터리를 끼우거나 충전기에서 분리할 때 먼지가 가스에 불이 붙을 수 있습니다.






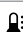
**배터리 충전(그림 B)**

1. 배터리 팩을 끼우기 전에 충전기를 적절한 콘센트에 꽂습니다.
2. 충전기에 배터리 팩 **1** 을 끼우고 배터리 팩이 완벽히 장착되었는지 확인하십시오. 빨간색(충전 중) 표시등이 반박해서 점멸하면서 충전 프로세스가 시작되었음을 알립니다.
3. 충전이 완료되면 빨간색 불이 계속 켜져 있습니다. 배터리 팩이 완전히 충전되면 바로 사용하거나 충전기에 그대로 둘 수 있습니다. 배터리 팩을 충전기에서 분리하려면, 배터리 팩에 있는 배터리 탈착 버튼 **2** 을 누릅니다.

**참고:** 리튬이온 배터리 팩의 성능과 수명을 극대화하려면 처음 사용하기 전에 배터리 팩을 완전히 충전하십시오.

**충전기 작동**

배터리 팩의 충전 상태는 아래 표시등을 참조하십시오.

충전 표시등		
 충전 중	— — — —	
 완전 충전됨	————	
 냉/은 팩 지연*	— — —	

- 충전기에 배터리 팩을 끼울 때 과도한 힘을 주지 마십시오. 어떤 형태로든 호환되지 않는 충전기에 사용하기 위해 배터리 팩을 개조하지 마십시오. 배터리 팩이 파열되어 심각한 부상을 유발할 수 있습니다.
- DEWALT 충전기에서만 배터리 팩을 충전하십시오.
- 물이나 기타 액체가 튀어 묻거나 액체에 빠지지 않도록 하십시오.
- 온도가 40 °C (104 °F)를 초과할 수 있는 곳(여름철 허름한 창고 또는 금속 건물 등)에 공구와 배터리 팩을 보관하거나 사용하지 마십시오.
- 배터리 팩이 심하게 손상되거나 완전히 낡았다라도 절대 소각하지 마십시오. 배터리 팩은 불 속에서 폭발할 수 있습니다. 리튬이온 배터리 팩은 연소되면서 독성 연기와 물질을 발생시킵니다.
- 배터리 내용물이 피부에 닿으면 즉시 중성 세척제로 해당 부위를 씻으십시오. 배터리액이 눈에 들어갔을 경우, 15분 정도 또는 통증이 가실 때까지 눈을 뜨고 물로 씻어냅니다. 치료가 필요한 경우를 위해, 배터리 전해질은 액체 유기 탄산염과 리튬염의 혼합물로 구성되어 있음을 알아 두십시오.
- 열린 배터리 전지의 내용물은 호흡기 질환을 일으킬 수 있습니다. 신선한 공기를 마시십시오. 증상이 계속되면 치료를 받으십시오.



**경고:** 화상 위험. 배터리액은 불꽃이나 화염에 노출되면 연소될 수 있습니다.



**경고:** 어떤 이유로든 배터리 팩을 절대 분해하지 마십시오. 배터리 팩 케이스가 깨지거나 손상되면 충전기에 넣지 마십시오. 배터리 팩을 뜯거나 떨어뜨리거나 손상시키지 마십시오. 강한 충격을 받았거나, 떨어뜨렸거나, 차에 치였거나 기타의 원인으로 어떤 방식으로든 손상된(못이 박히거나 망치로 맞았거나 발함) 배터리 팩이나 충전기는 사용하지 마십시오. 감전 또는 감전사의 위험이 있습니다. 손상된 배터리 팩은 재활용을 위해 서비스 센터에 반환해야 합니다.



**경고:** 화재 위험. 배터리 팩을 보관하거나 휴대할 때는 노출된 배터리 단자에 금속 물체가 닿지 않도록 하십시오. 예를 들어, 못, 나사, 키 등이 있는 알치마, 주머니, 도구상자, 제품 키트 상자, 서랍 등에 배터리 팩을 두지 마십시오.



**주의:** 사용하지 않는 공구는 걸려 넘어지거나 떨어질 위험이 없는 안정된 표면에 놓여 두십시오. 배터리 팩이 큰 일부 공구들은 배터리 팩 위에 바로 서 있지만 쉽게 넘어질 수 있습니다.

**운반**



**경고:** 화재 위험. 배터리를 운반할 때 배터리 단자가 실수로 전도성 물질과 닿을 경우 화재 위험의 가능성이 있습니다. 배터리를 운반할 때는 배터리 단자가 보호되어 있고, 물체에 닿을 경우 단락을 일으킬 수 있는 물체로부터 완전히 절연되어 있는지 확인하십시오.

**참고:** 리튬이온 배터리는 위탁 수화물에 넣어서는 안 됩니다.

DeWALT 배터리는 UN의 위험물 운송에 관한 권고(Recommendations on the Transport of Dangerous Goods, RTDG), 국제 항공 운송 협회(ATA)의 위험물 규정, 국제해상위험물(International Maritime Dangerous Goods, IMDG) 규정 및 국제도로위험물운송에 관한 유럽조약(European Agreement Concerning The International Carriage of Dangerous Goods by Road, ADR)을 포함하여 산업 표준 및 법적 기준에 따라 해당되는 모든 운송 규정을 준수합니다. 리튬 이온 전지 및 배터리는 위험물품수송에 관하여 UN이 정하고 있는 시험 규정 38.3항에 따라 테스트되었습니다.

대개의 경우에, DeWALT 배터리 팩 운송은 완전 규제를 받는 Class 9 위험 물질로 분류되지 않습니다. 일반적으로, 에너지효율 등급이 100 와트시(Wh)보다 큰 리튬 이온 배터리를 포함하는 수송품만 완전 규제를

받는 Class 9에 따라 운송되어야 합니다. 모든 리튬 이온 배터리에는 팩에 와트시 등급이 표시되어 있습니다. 뿐만 아니라, 규정의 복잡성으로 인해 DeWALT는 와트시 등급에 상관 없이 리튬 이온 배터리 팩을 단독으로 항공 운송하는 것을 권장하지 않습니다. 배터리 팩의 와트시 등급이 100 Whr보다 크지 않을 경우는 제외되므로 배터리(컴보 키트)가 포함된 공구의 수송품은 항공 운송할 수 있습니다.

수송품이 예외로 고려되지 또는 완전 규제를 받든지 여부와 상관 없이, 포장, 라벨링/표시 및 문서 요건에 관한 최신 규정을 찾아보는 것은 운송 회사의 책임입니다.

설명서의 본 색션에서 제공하는 정보는 옳다고 믿고 제공되며 문서가 작성되었던 시기에는 정확한 것으로 간주됩니다. 단, 보증은 명시적이거나 함축적으로 제공되지 않습니다. 활동 시 해당 규정을 준수하고 있는지 확인하는 것은 구매자의 책임입니다.

**보관 권장 사항**

1. 보관 장소로는 직사광선을 받지 않고 지나치게 덥거나 춥지 않은 시원하고 건조한 곳이 가장 좋습니다. 최적의 배터리 성능과 수명을 위해, 사용하지 않을 때에는 배터리 팩을 실온에서 보관하십시오.
2. 장기간 보관하는 경우, 최적의 결과를 위해 완전히 충전된 배터리 팩을 충전기에서 분리하여 차갑고, 건조한 장소에 보관하는 것이 좋습니다.

**참고:** 배터리 팩은 완전히 방전된 상태로 보관해서는 안 됩니다. 사용 전에 배터리 팩을 재충전해야 합니다.

**충전기 및 배터리 팩에 부착된 라벨**

본 설명서에 사용된 그림 외에도 충전기 및 배터리 팩에 부착된 라벨에는 다음과 같은 그림이 표시되어 있습니다.



사용 전에 사용 설명서의 내용을 숙지하십시오.



충전 시간은 **기술 데이터**를 참조하십시오.



전도성 있는 물체로 시험하지 마십시오.



손상된 배터리 팩을 충전하지 마십시오.



물에 닿지 않도록 하십시오.



손상된 코드는 즉시 교체하십시오.



4 °C ~ 40 °C 사이에서만 충전하십시오.



실내 전용.



환경 보호 차원에서 배터리 팩을 폐기하십시오.



지정된 DeWALT 충전기뿐만 DeWALT 배터리 팩을 충전하십시오. DeWALT 충전기에 지정된 DeWALT 배터리 이외의 배터리 팩을 충전하면 폭발하여 다른 위험한 상황으로 이어질 수 있습니다.



배터리 팩을 소각하지 마십시오.

## 배터리 유형

DCD701은 12 볼트 배터리 팩으로 작동됩니다.

이러한 배터리 팩은 다음을 사용할 수 있습니다. DCB122, DCB123, DCB124, DCB124G, DCB126, DCB126G, DCB127. 자세한 정보는 **기술 데이터**를 참조하십시오.

## 포장 내용물

포장에는 다음 내용물이 들어 있습니다.

- 1 드릴/드라이버
- 1 충전기
- 1 벨트 후크(일부 모델에 포함되어 있음)
- 1 리튬이온 배터리 팩(C1, D1, L1 모델)
- 1 리튬이온 배터리 팩(C2, D2, L2 모델)
- 1 리튬이온 배터리 팩(C3, D3, L3 모델)
- 1 사용 설명서

**참고:** 배터리 팩, 충전기 및 공구박스는 N 모델에 포함되지 않습니다. 배터리 팩과 충전기는 NT 모델에 포함되지 않습니다.

**참고:** 기타 상표 및 상표명은 각 해당 소유주의 것입니다.

- 운반 중에 발생할 수 있는 공구, 부품 또는 액세서리의 손상 여부를 확인하십시오.
- 작동 전에 시간을 내어 본 사용 설명서를 읽고 숙지하십시오.

## 공구에 표시된 마크

공구에는 다음과 같은 그림이 있습니다.



사용 전에 사용 설명서의 내용을 숙지하십시오.



귀 보호 장구를 착용하십시오.



보안경을 착용하십시오.



가시 방사선이므로, 쳐다보지 마십시오.

## 날짜 코드 위치(그림 A)

날짜 코드에는 **13**, 제조년도가 포함되어 이 제조년도는 케이스에 인쇄되어 있습니다.

예:

2022 XX XX  
제조년도

## 설명(그림 A)



**경고:** 전동 공구 또는 전동 공구의 어떤 부품도 절대 개조하지 마십시오. 제품이 파손되거나 신체 부상을 당할 수 있습니다.

- 1 배터리 팩
- 2 배터리 팩 탈착 버튼
- 3 주 핸들
- 4 가변 속도 트리거
- 5 전진/후진 제어 버튼
- 6 모드 선택 칼라
- 7 속도 선택기
- 8 작업등
- 9 척 슬리브

## 10 키리스 척

### 용도

본 드릴/드라이버는 전문적인 드릴 작업을 하거나 나사를 조이기 위한 용도로 설계되었습니다.

습한 환경이나 가연성 액체 또는 가스가 있는 장소에서 사용하지 마십시오.

이 드릴/드라이버는 전문 전동 공구입니다.

어린이가 이 공구를 만지지 **않도록 하십시오**. 경험이 없는 작업자가 이 공구를 사용할 때는 감독자의 지도가 필요합니다.

- **어린이 및 노약자.** 본 제품은 어린이나 노약자가 사용하도록 설계되지 않았습니다. 이러한 사람이 사용할 때는 감독이 필요합니다.
- 본 제품은 안전 책임을 맡고 있는 사람이 감독을 하고 있지 않는 한 경험, 지식 또는 기술이 부족하고 신체적, 감각적 또는 정신적 능력이 미약한 사람(어린이 포함)이 사용하도록 고안된 것이 아닙니다. 이 제품과 함께 어린이만 혼자 두어서는 안됩니다.

## 조립 및 조정



**경고:** 심각한 신체 부상의 위험을 줄이려면 공구를 조정하거나 부착물 또는 액세서리를 제거/설치하기 전에 공구를 끄고 배터리 팩을 분리하십시오. 공구가 갑자기 작동하여 부상을 당할 수 있습니다.



**경고:** DeWALT 배터리 팩과 충전기만 사용하십시오.

## 배터리 팩 삽입 및 공구에서 배터리 팩 분리 (그림 B)

**참고:** 배터리 팩 1이 완전히 충전되었는지 확인하십시오.

### 배터리 팩을 공구 핸들에 설치하려면

1. 공구 핸들 안쪽의 레일에 배터리 팩 1을 맞춥니다(그림 B).
2. 공구에 배터리 팩이 견고하게 장착될 때까지 핸들에 밀어 넣고 딸깍하고 잠기는 소리가 들리는지 확인하십시오.

### 공구에서 배터리 팩을 분리하려면

1. 탈착 버튼 2을 누르고 배터리 팩을 공구 핸들에서 완전히 빼냅니다.
2. 본 사용 설명서의 충전기 섹션에 설명된 대로 배터리 팩을 충전기에 삽입합니다.

## 잔량표시계 배터리 팩(그림 B)

일부 DeWALT 배터리 팩에는 배터리 팩의 남아 있는 충전 레벨을 표시하는 세 개의 녹색 LED 등으로 구성된 잔량표시계가 포함되어 있습니다.

잔량표시계를 작동시키려면, 잔량표시계 버튼 14을 누릅니다. 녹색 LED 표시등 3개가 조합되어 커짐으로써 충전 잔량 수준을 나타냅니다. 배터리 충전 잔량이 사용 가능한 한계치 미만이면 배터리 잔량표시계가 켜지지 않으므로 배터리를 재충전해야 합니다.

**참고:** 잔량표시계는 배터리 팩에 남아 있는 충전 레벨을 나타내는 것일 뿐입니다. 공구의 성능을 나타내는 것이 아니며 제품 구성품, 온도 및 최종 사용자의 용도에 따라 변동될 수 있습니다.

## 벨트 후크(그림 C)

### 선택 액세서리



**경고:** 심각한 부상의 위험을 줄이려면, 벨트 후크에 과열된 공구 또는 물건을 매달지 마십시오. 작업 벨트에는 공구의 벨트 후크만 거십시오.

**경고:** 심각한 부상의 위험을 줄이려면, 벨트 후크를 고정하는 나사가 고정되었는지 확인하십시오.

**중요:** 벨트 후크를 장착하거나 교체할 때는 제공된 나사만 사용하십시오. 나사를 단단히 고정하십시오.

왼손 또는 오른손잡이 사용자에 맞게 제공된 나사 **12** 만을 사용하여 벨트 후크 **11** 를 공구 어느 쪽에든 장착할 수 있습니다. 벨트 후크가 전혀 필요하지 않을 경우 공구에서 제거할 수 있습니다.

벨트 후크를 이동하려면 고정하고 있는 나사 **12** 를 제거하고 반대쪽에 다시 장착합니다. 나사를 단단히 고정하십시오.

### 키리스 척에 비트 또는 액세서리 설치하기 (그림 D)

**경고:** 척의 앞부분을 잡고 공구를 커서드릴 비트(또는 기타 액세서리)를 조이려고 시도하지 마십시오. 척이 손상되거나 신체 부상을 초래할 수 있습니다. 액세서리를 교체할 때는 항상 트리거 스위치를 잡고 전원에서 공구 플러그를 뽑으십시오.

**경고:** 공구를 작동시키기 전에 항상 비트가 고정되어 있는지 확인하십시오. 비트가 느슨하면 공구에서 빠져 신체 부상을 초래할 수 있습니다.

본 공구에는 키리스 척 **10** 이 사용되며 척을 한 손으로 작동시킬 수 있도록 한 개의 회전 슬리브 **9** 가 제공됩니다. 드릴 비트 또는 기타 액세서리를 끼우려면 다음 단계를 따르십시오.

1. 공구를 끄고 배터리 팩을 제거합니다.
2. 한 손으로 척의 검은색 슬리브를 잡고 다른 손을 사용해서 공구를 고정합니다. 원하는 액세서리를 수용할 수 있을 만큼 슬리브를 시계 반대 방향으로 크게 회전시킵니다.
3. 한 손으로 공구를 잡으면서 다른 손으로 척 슬리브를 시계 방향으로 회전시켜서 액세서리를 척에 19 mm 정도 삽입하고 단단하게 조입니다. 공구에는 자동 스프링 잠금 기계 장치가 장착되어 있습니다. 이를 통해 한 손으로 척을 열고 닫을 수 있습니다.

척 슬리브에서 한 손으로 척을 조이고 다른 손으로 공구를 잡아 최대한 조이십시오.

액세서리를 풀려면 위의 1단계를 2단계를 반복하십시오.

### 속도 선택(그림 A)

공구에는 다양한 용도를 위해 2개의 속도 설정 기능이 있습니다.

**참고:** 공구가 작동 중일 때는 속도를 변경하지 마십시오. 속도를 변경하기 전에 항상 공구가 완전히 멈추었는지 확인하십시오.


1. 속도 1을 선택하려면(높은 토크 설정값) 공구를 커서 멈추게 합니다. 속도 선택기 **7** 를 뒤로 밀니다(척에서 멀리).
2. 속도 2를 선택하려면(높은 속도 설정값) 공구를 커서 멈추게 합니다. 속도 선택기 **7** 를 앞으로 밀니다(척 쪽으로).

공구 속도가 변경되지 않는 경우, 속도 선택 스위치가 완전히 앞쪽 또는 뒤쪽 위치로 작동되었는지 확인하십시오.

### 모드 선택(그림 A)

모드 선택 칼라 **6** 는 계획된 작업에 따라 정확한 작동 모드를 선택하는데 사용할 수 있습니다.

선택하려면, 원하는 기호가 화살표와 정렬될 때까지 칼라를 돌립니다.

기호	모드
	드릴 작업
1-15	나사 조이기(높은 숫자 = 높은 토크)

### 가변 속도 트리거 및 전진/후진 제어 버튼 (그림 A)

가변 속도 트리거 **4** 를 당겼다 놓으면 드릴이 켜졌다 꺼집니다. 트리거를 강하게 당길수록 드릴 속도는 높아집니다. 공구에는 제동 장치가 장착되어 있습니다. 트리거 스위치를 완전히 놓는 즉시 척이 멈춥니다.

전진/후진 제어 버튼 **5** 은 공구의 회전 방향을 결정하며 락오프 버튼 역할도 합니다.

- 전진 회전을 선택하려면 트리거를 놓고 공구 오른쪽에 있는 전진/후진 제어 버튼을 누릅니다.
- 후진을 선택하려면 공구 왼쪽에 있는 전진/후진 제어 버튼을 누릅니다.

**참고:** 제어 버튼이 가운데에 있으면 공구가 꺼진 위치에서 잠기게 됩니다. 제어 버튼의 위치를 변경할 때는 반드시 트리거를 놓아야 합니다.

**참고:** 가변 속도 범위의 지속적 사용은 권장되지 않습니다. 지속적 사용은 스위치를 손상시킬 수 있으므로 피해야 합니다.

**참고:** 회전 방향을 변경한 후 처음으로 공구를 실행하면 작동 시 '짹' 소리가 들릴 수 있습니다. 이는 정상적 현상이며 고장이 아닙니다.

### 조작

#### 사용 지침

**경고:** 항상 안전 지시 사항과 해당 규정을 준수하십시오.

**경고:** 심각한 신체 부상의 위험을 줄이려면 공구를 조정하거나 부속을 또는 액세서리를 제거/설치하기 전에 공구를 끄고 배터리 팩을 분리하십시오. 공구가 갑자기 작동하여 부상을 당할 수 있습니다.

#### 올바른 손의 위치(그림 E)

**경고:** 심각한 신체 부상의 위험을 줄이려면 항상 그림과 같이 올바르게 손을 위치하십시오.

**경고:** 심각한 신체 부상의 위험을 줄이려면, 항상 급작스러운 반동을 예상하고 단단히 잡으십시오.

올바른 손의 위치가 되려면 한 손은 주 핸들 **3** 을 잡고, 다른 손은 배터리 팩을 잡습니다.

#### 작업등(그림 F)

작업등 **8** 은 공구 아래쪽에 있습니다. 작업등은 트리거 스위치를 누르면 작동됩니다. 트리거를 놓으면 작업등이 최대 20초 동안 점등되어 있습니다.

**참고:** 작업등은 인접한 작업대를 비추기 위한 것으로 손전등으로 사용하기 위한 것이 아닙니다.

#### 적용(그림 A)

**경고:** 신체 부상의 위험을 줄이려면 항상 작업물이 액거나 클램프로 단단히 고정되어 있는지 확인하십시오.

**경고:** 회전 방향을 바꾸기 전에 항상 모터가 완전히 멈출 때까지 기다리십시오.

**작업을 수행하기 전에:**

- 속도 선택기 **7** 를 설정합니다. 속도 선택을 참조하십시오.
- 적절한 비트 또는 액세서리를 척에 설치합니다. 키리스 척에 비트 또는 액세서리 설치하기를 참조하십시오.

- 경고:**
  - 쉽게 타거나 폭발성이 있는 액체(벤젠, 알코올 등)를 켜거나 주입하는 데 이 공구를 사용하지 마십시오.
  - 따라서 라벨에 표시된 인화성 액체를 혼합하거나 섞지 마십시오.

## 나사 조이기

공구에는 다양한 모양과 크기의 패스너를 조이거나 제거하기 위한 조절식 토크 클러치가 갖추어져 있습니다. 모드 선택 칼라 ⑥ 의 숫자는 나사를 조일 때 토크 범위를 설정하는 데 사용됩니다. 칼라 숫자가 높을수록 조일 수 있는 패스너와 토크 수치도 높아집니다.

1. 모드 선택 칼라 ⑥ 를 원하는 위치로 돌립니다. **모드 선택**을 참조하십시오.
2. 패스너가 작업물에서 원하는 깊이에 도달할 때까지 비트와 직선을 이룬 상태로 압력을 가하면서 트리거 스위치를 당깁니다.

## 나사 조이기에 대한 권장 사항

- 낮은 토크 설정부터 시작한 후 더 높은 토크 설정으로 진행하여 작업물 또는 패스너가 손상되지 않도록 하십시오.
- 모드 선택 칼라의 적절한 위치를 결정하려면 작업물의 조각 또는 보이지 않는 영역에서 실제로 몇 번 실행해 보십시오.

## 드릴 작업

1. 모드 선택 칼라 ⑥ 를 드릴 기호로 돌립니다. **모드 선택**을 참조하십시오.
2. 드릴 비트를 작업물과 닿도록 놓습니다.

**참고:** 날카로운 드릴 비트만 사용하십시오.

3. 원하는 깊이에 도달할 때까지 비트와 일직선을 이룬 상태에서 압력을 가하면서 트리거를 당깁니다.

**경고:** 과부하되어 급작스럽게 휘면 드릴이 고착될 수 있습니다. 항상 시동 꺼짐을 예상하십시오. 드릴을 단단히 잡아서 휘는 작용을 제어하고 부상을 당하지 않도록 주의하십시오.

4. 걸림을 방지하려면 뚫린 구멍 밖으로 비트를 빼낼 때 모터를 가동 상태로 유지하십시오.

## 드릴 작업 시 권장 사항

- 드릴 작업을 할 때 항상 비트에 직선으로 압력을 가하십시오. 단 모터가 정지하거나 비트가 변형될 정도로 강한 압력을 가하지 마십시오
- **드릴이 고착되는 경우:**
  - **트리거 스위치를 즉시 놓고,** 작업물로부터 드릴 비트를 제거한 다음 회전이 멈춘 원인을 해결하십시오.
  - **회전이 멈춘 드릴을 다시 작동시키기 위해 트리거 스위치를 당기고 놓는 동작을 취하지 마십시오. 드릴 손상의 원인이 됩니다.**
  - 엔진 정지 또는 재료를 뚫고 나가는 것을 최소화하려면, 드릴에 가하는 압력을 줄이고 비트가 구멍의 마지막 작은 부분을 통과할 때 조심조심 움직이도록 합니다.
- 예비 구멍(4 mm ~ 4.8 mm)이 먼저 뚫려 있는 경우 스틸에 큰 구멍(7.9 mm ~ 12.7 mm)을 내는 것이 더 쉬울 수 있습니다.
- 얇은 자재 또는 쪼개지기 쉬운 드릴 작업을 하는 경우에는 작업물이 손상되지 않도록 "반침목"을 사용하십시오.

## 유지 보수

DEWALT 전동 공구는 최소한의 유지 보수로 장기간에 걸쳐 작업이 가능하도록 설계되어 있습니다. 만족스러운 연속 작동은 적절한 공구 관리와 정기적인 청소에 따라 그 성능이 달라질 수 있습니다.

**경고:** 심각한 신체 부상의 위험을 줄이려면 공구를 조정하거나 부품을 또는 액세서리를 제거/설치하기 전에 공구를 끄고 **배터리 팩을 분리하십시오.** 공구가 갑자기 작동하여 부상을 당할 수 있습니다.

충전기 및 배터리 팩은 수리할 수 없습니다.



## 유행방법

전동 공구는 별도의 유행 작업이 필요하지 않습니다.



## 청소



**경고:** 통풍구 속이나 주변에 먼지가 쌓여있는 것이 보이면 가능한 한 자주 건조한 공기를 이용하여 매년 하우징에서 먼지를 불어내십시오. 이 절차를 수행할 때에는 승인된 보호 장구 및 승인된 방진 마스크를 착용하십시오.



**경고:** 공구의 비금속성 부품을 청소할 때는 용제 등의 강력한 화학약품을 절대 사용하지 마십시오. 그렇지 않으면 이러한 부분에 사용된 재료가 약해질 수 있습니다. 형광에 불과한 손한 비누를 적서 닦아주십시오. 공구 내부에 액체를 넣거나 공구 부품을 액체에 담그는 행동은 절대 금물입니다.

## 선택 액세서리



**경고:** DEWALT에서 제공되지 않는 액세서리는 본 제품에 테스트되지 않았으므로 본 제품에서 이러한 액세서리를 사용하면 위험할 수 있습니다. 신체 부상의 위험을 줄이려면 본 제품에 맞맞은 액세서리만 사용해야 합니다.

해당 액세서리에 대한 자세한 정보는 판매 대리점으로 문의하십시오.

## 환경 보호



분리 수거. 이 기호가 표시된 제품과 배터리를 일반 가정용 쓰레기와 함께 처리하면 안 됩니다.

제품과 배터리에는 재활용되거나 재사용되고 고철 자원에 대한 수요를 줄일 수 있는 자재가 포함되어 있습니다. 전기 제품과 배터리는 지역 규정에 따라 재활용하십시오. 자세한 내용은 [www.2helpU.com](http://www.2helpU.com)에서 찾아 볼 수 있습니다.

## 충전용 배터리 팩

이전에 쉽게 수행했던 작업에 대해 충분한 힘을 발휘하지 못하는 배터리 팩은 재충전해야 합니다. 배터리 수명이 다하면 환경 보호 차원에서 배터리 팩을 폐기하십시오.

- 배터리 팩을 완전히 사용하고 난 후 공구에서 분리하십시오.
- 리튬이온 전지는 재활용할 수 있습니다. 이 전지를 판매점이나 지역 재활용 센터로 가져가십시오. 수집된 배터리 팩은 재활용되거나 적절히 폐기됩니다.





