
DEWALT

www.DEWALT.com

D28720

FIG.5

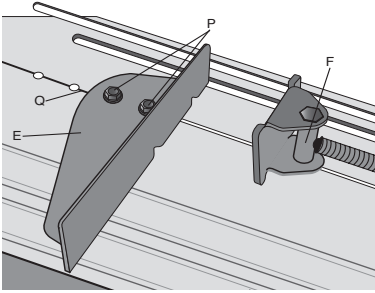


FIG.6

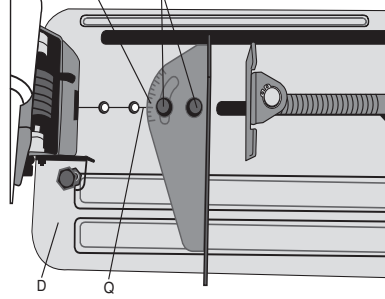


FIG.7

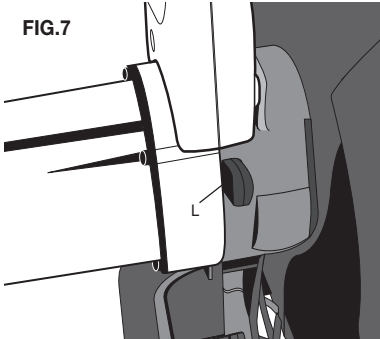


FIG.8

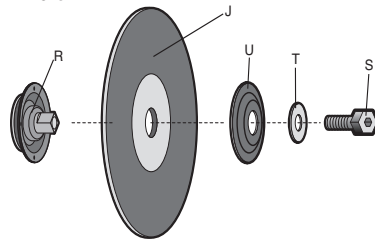
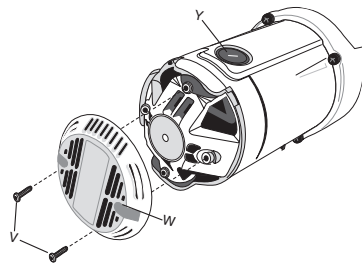
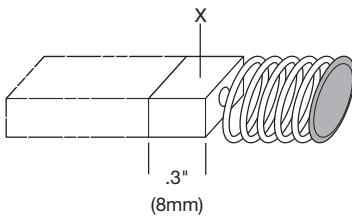


FIG.9



CHOP SAW

D28720

Congratulations!

You have chosen a DEWALT tool. Years of experience, thorough product development and innovation make DEWALT one of the most reliable partners for professional power tool users.

Technical Data

		D28720
Voltage	V	220
Power input	W	2200
Frequency	Hz	50
No-load speed	/min	3800
Wheel diameter	mm	355
Wheel thickness	mm	2.8

Definitions: Safety Guidelines

The definitions below describe the level of severity for each signal word. Please read the manual and pay attention to these symbols.



DANGER: Indicates an imminently hazardous situation which, if not avoided, **will** result in **death or serious injury**.



WARNING: Indicates a potentially hazardous situation which, if not avoided, **could** result in **death or serious injury**.



CAUTION: Indicates a potentially hazardous situation which, if not avoided, **may** result in **minor or moderate injury**.

NOTICE: Indicates a practice **not related to personal injury** which, if not avoided, **may** result in **property damage**.



Denotes risk of electric shock.



Denotes risk of fire.



WARNING: To reduce the risk of injury, read the instruction manual.

General Power Tool Safety Warnings



WARNING! Read all safety warnings and all instructions. Failure to follow the warnings and instructions may result in electric shock, fire and/or serious injury.

SAVE ALL WARNINGS AND INSTRUCTIONS FOR FUTURE REFERENCE

The term "power tool" in the warnings refers to your mains-operated (corded) power tool or battery-operated (cordless) power tool.

1) WORK AREA SAFETY

- Keep work area clean and well lit.** Cluttered or dark areas invite accidents.
- Do not operate power tools in explosive atmospheres, such as in the presence of flammable liquids, gases or dust. Power tools create sparks which may ignite the dust or fumes.
- Keep children and bystanders away while operating a power tool.** Distractions can cause you to lose control.

2) ELECTRICAL SAFETY

- Power tool plugs must match the outlet. Never modify the plug in any way. Do not use any adapter plugs with earthed (grounded) power tools.** Unmodified plugs and matching outlets will reduce risk of electric shock.
- Avoid body contact with earthed or grounded surfaces such as pipes, radiators, ranges and refrigerators.** There is an increased risk of electric shock if your body is earthed or grounded.
- Do not expose power tools to rain or wet conditions.** Water entering a power tool will increase the risk of electric shock.
- Do not abuse the cord. Never use the cord for carrying, pulling or unplugging the power tool. Keep cord away from heat, oil, sharp edges or moving parts.** Damaged or entangled cords increase the risk of electric shock.
- When operating a power tool outdoors, use an extension cord suitable for outdoor use.** Use of a cord suitable for outdoor use reduces the risk of electric shock.
- If operating a power tool in a damp location is unavoidable, use a residual**

current device (RCD) protected supply.

Use of an RCD reduces the risk of electric shock.

3) PERSONAL SAFETY

- a) **Stay alert, watch what you are doing and use common sense when operating a power tool. Do not use a power tool while you are tired or under the influence of drugs, alcohol or medication.** A moment of inattention while operating power tools may result in serious personal injury.
- b) **Use personal protective equipment. Always wear eye protection.** Protective equipment such as dust mask, non-skid safety shoes, hard hat, or hearing protection used for appropriate conditions will reduce personal injuries.
- c) **Prevent unintentional starting. Ensure the switch is in the off position before connecting to power source and/or battery pack, picking up or carrying the tool.** Carrying power tools with your finger on the switch or energising power tools that have the switch on invites accidents.
- d) **Remove any adjusting key or wrench before turning the power tool on.** A wrench or a key left attached to a rotating part of the power tool may result in personal injury.
- e) **Do not overreach. Keep proper footing and balance at all times.** This enables better control of the power tool in unexpected situations.
- f) **Dress properly. Do not wear loose clothing or jewellery. Keep your hair, clothing and gloves away from moving parts.** Loose clothes, jewellery or long hair can be caught in moving parts.
- g) **If devices are provided for the connection of dust extraction and collection facilities, ensure these are connected and properly used.** Use of dust collection can reduce dust-related hazards.

4) POWER TOOL USE AND CARE

- a) **Do not force the power tool. Use the correct power tool for your application.** The correct power tool will do the job better and safer at the rate for which it was designed.
- b) **Do not use the power tool if the switch does not turn it on and off.** Any power tool that cannot be controlled with the switch is dangerous and must be repaired.
- c) **Disconnect the plug from the power source and/or the battery pack from the power tool before making any**

adjustments, changing accessories, or storing power tools. Such preventive safety measures reduce the risk of starting the power tool accidentally.

- d) **Store idle power tools out of the reach of children and do not allow persons unfamiliar with the power tool or these instructions to operate the power tool.** Power tools are dangerous in the hands of untrained users.
- e) **Maintain power tools. Check for misalignment or binding of moving parts, breakage of parts and any other condition that may affect the power tool's operation. If damaged, have the power tool repaired before use.** Many accidents are caused by poorly maintained power tools.
- f) **Keep cutting tools sharp and clean.** Properly maintained cutting tools with sharp cutting edges are less likely to bind and are easier to control.
- g) **Use the power tool, accessories and tool bits etc., in accordance with these instructions taking into account the working conditions and the work to be performed.** Use of the power tool for operations different from those intended could result in a hazardous situation.

5) SERVICE

- a) **Have your power tool serviced by a qualified repair person using only identical replacement parts.** This will ensure that the safety of the power tool is maintained.

Additional Safety Instructions for Chopsaws

- **Always wear proper eye and respiratory protection.**
- **Before using, inspect the cutting wheel for cracks or flaws. If such a crack or flaw is evident, discard the wheel. The wheel should also be inspected whenever you think the tool may have been dropped. Flaws may cause wheel breakage.**
- **When starting the tool with a new or replacement wheel or if you are unsure of the condition of the wheel, hold the tool in a well protected area and let it run for one minute. If the wheel has an undetected crack or flaw, it should burst in less than one minute. Never start the tool with a person in line with the wheel. This includes the operator.**
- **In operation, avoid bouncing the wheel or giving it rough treatment. If this occurs, stop**

the tool and inspect the wheel for cracks or flaws.

- Clean your chop saw periodically following the procedure in this manual.
- Do not remove wheel guards or base.
- **ALWAYS USE THE VISE OR SPECIAL FIXTURE TO CLAMP WORK SECURELY.** Other aids such as spring, bar, or C-clamps may be appropriate for certain sizes and shapes of workpiece. Use care in selecting and placing these clamps and make a dry run before making a cut.
- Use only 14" type 1 wheels rated at 4100 rpm or higher.
- Allow cut off parts to cool before handling.
- Do not attempt to cut wood or plastic with this tool.
- **NEVER CUT MAGNESIUM WITH THIS TOOL.**
- Use chop saw in a well-ventilated area.
- Turn chop saw off before removing any pieces from the base.
- **DO NOT CUT ELECTRICALLY LIVE MATERIAL.**
- Do not use circular saw blades or any other toothed blades with this tool. Serious injury may result.
- **DO NOT OPERATE THIS TOOL NEAR FLAMMABLE LIQUIDS, GASES OR DUST.** Sparks or hot chips from cutting or arcing motor brushes may ignite combustible materials.
- Warning to ensure that the abrasive cutting-off wheel is correctly fitted and tightened before use including an instruction to run the machine at no-load for 30 s in a safe position, and to stop immediately and replace the cutting-off wheel if there is considerable vibration.
- Do not use the side of the abrasive wheel as a deburring grinder. This will substantially weaken the wheel creating an unsafe condition. The wheel may come apart.



CAUTION: Wear appropriate hearing protection during use. Under some conditions and duration of use, noise from this product may contribute to hearing loss.



CAUTION: Spark deflector will get hot. Avoid touching or adjusting while hot. Keep cordset and materials away from spark deflector.

- Avoid prolonged contact with dust from

power sanding, sawing, grinding, drilling, and other construction activities. Wear protective clothing and wash exposed areas with soap and water. Allowing dust to get into your mouth, eyes, or lay on the skin may promote absorption of harmful chemicals.



WARNING: Always use NIOSH/ OSHA approved respiratory protection appropriate for the dust exposure. Direct particles away from face and body. For your convenience and safety, the following warnings are on your Heavy-Duty 14" (355mm) Chop Saw:



FOR SAFE OPERATION READ THE INSTRUCTION MANUAL.

- **DO NOT USE TOOTHED BLADES.**
- **USE ONLY REINFORCED WHEELS RATED 4100 RPM OR HIGHER.**
- **WHEN SERVICING USE ONLY IDENTICAL REPLACEMENT PARTS.**
- **ALWAYS: WEAR EYE PROTECTION, USE GUARDS, CLAMP WORK IN VISE, USE PROPER RESPIRATORY PROTECTION.**
- **DO NOT EXPOSE TO RAIN OR USE IN DAMP LOCATIONS.**
- **ONLY USE CHOP SAW WHEEL OF A MAX. THICKNESS OF 2.8MM AND A MAX. DIAMETER OF 355mm.**

Residual Risks

- The following risks are inherent to the use of these machines:
 - Injuries caused by touching the rotating parts.
 - Injuries caused by disruption of the cutting disc.
- These risks are most evident:
 - Within the range of operation.
 - Within the range of the rotating machine parts.
- In spite of the application of the relevant safety regulations and the implementation of safety devices, certain residual risks cannot be avoided. These are:
 - Impairment of hearing.
 - Risk of accidents caused by the uncovered parts of the rotating cutting disc.
 - Risk of injury when changing the disc.
 - Risk of squeezing fingers when opening the guards.

Markings on Tool

The following pictograms are shown on the tool:



Read instruction manual before use.



Wear eye protection.



Wear ear protection.



Bore diameter.

DATE CODE POSITION

The date code (R), which also includes the year of manufacture, is printed into the housing surface that forms the mounting joint between tool and battery.

Example:

2016 XX XX

Year of Manufacture

Package Contents

The package contains:

- 1 Chop saw
- 1 Wrench
- 1 Instruction manual

- Check for damage to the tool, parts or accessories which may have occurred during transport.
- Take the time to thoroughly read and understand this manual prior to operation.

Description (fig. 1,4)



WARNING: Never modify the power tool or any part of it. Damage or personal injury could result.

- A. Lock Chain
- B. Spark Deflector Screw
- C. Spark Deflector
- D. Base
- E. Fence
- F. Vise
- G. Flat Wrench
- H. Crank
- I. Vise Level
- J. Wheel
- K. Guard

- L. Spindle Lock
- M. Depth Stop Bolt and Jam Nut
- N. Trigger Switch
- O. Padlock Hole
- P. Fence Bolts
- Q. Lock on Switch

INTENDED USE

Your D28720 chop saw has been designed for the cutting of variously shaped steel materials.

DO NOT use under wet conditions or in presence of flammable liquids or gases.

The D28720 chop saw is a professional power tool.

DO NOT let children come into contact with the tool. Supervision is required when inexperienced operators use this tool.

Electrical Safety

The electric motor has been designed for one voltage only. Always check that the power supply corresponds to the voltage on the rating plate.



Your DEWALT tool is double insulated; therefore no earth wire is required.

If the supply cord is damaged, it must be replaced by a specially prepared cord available through the DEWALT service organisation.

Using an Extension Cable

If an extension cable is required, use an approved 3-core extension cable suitable for the power input of this tool (see **Technical Data**). The minimum conductor size is 1.5 mm²; the maximum length is 30 m.

When using a cable reel, always unwind the cable completely.

Connecting to the Mains

The mains supply to be used for this machine must be equipped with a 16 A cut-out fuse with time delay.

Voltage Drops

Inrush currents cause short-time voltage drops. Under unfavourable power supply conditions, other equipment may be affected.

If the system impedance of the power supply is lower than 0.11 Ω, disturbances are unlikely to occur.

POWER SUPPLY

Be sure your power supply agrees with the nameplate marking. A voltage decrease of more than 10% will cause a loss of power and overheating.

CUTTING CAPACITY

The wide vise opening and high pivot point provide cutting capacity for many large pieces. Use the cutting capacity chart to determine total maximum size of cuts that can be made with a new wheel.



CAUTION: CERTAIN LARGE, CIRCULAR OR IRREGULARLY SHAPED OBJECTS MAY REQUIRE ADDITIONAL HOLDING MEANS IF THEY CANNOT BE HELD SECURELY IN VISE.



CAUTION: DO NOT CUT MAGNESIUM WITH THIS TOOL.

Maximum Cutting Capacity

NOTE: Capacity shown on chart assumes no wheel wear and optimum fence position.

Workpiece Shape:				
90° Cutting Angle	A = 4-7/8" (125mm)	A = 4-1/2" (115mm)	4-1/2" x 5-1/8" (115mm x 130mm) 4" x 7-5/8" (102mm x 188mm) 3" x 7-3/8" (76mm x 229mm)	A = 4-1/2" x 5-3/8" (115mm x 137mm)
45° Cutting Angle	A = 4-1/2" (115mm)	A = 3-13/16" (98mm)	4-1/2" x 3-13/16" (115mm x 95mm) 4-1/8" x 3-3/4" (105mm x 95mm)	A = 3-13/16" (95mm)

Use

To Carry (fig. 1)

Fold down unit to position where you can carry the saw. Push in lock chain (A) to lock arm down. Installing tool rest(fig.3)

Installation Instruction (fig. 3)

Fix the tool on a stable position through fix holes by using 2 M10 bolts.

UnLocking (fig. 1)

To unlock tool and raise head, depress motor arm slightly and pull lock chain (A) out. Motor arm will then pivot upward.

Spark Deflector Adjustment (fig. 1)

To best deflect sparks away from surrounding persons and materials, loosen the screw (B), adjust the spark deflector (C) and then retighten screw. Do not allow cordset to come into contact with deflector or sparks as damage to cordset may occur.

Depth Stop (fig. 1)

Depth stop is set at the factory for a new 14" wheel to prevent wheel from cutting into the supporting surface. To allow more depth of cut, use the flat wrench provided (G) to loosen the depth stop bolt (M) and raise bolt to desired height and then turn jam nut (N) clockwise until seated firmly on the casting. Securely tighten the depth stop bolt before use.



CAUTION: When changing to a new wheel, readjust depth stop to original position to prevent cutting into supporting surface.

Trigger Switch with Lock-on(fig. 1)

To start the tool, depress the trigger switch (N), then push lockon button to keep tool running. To turn the tool off, depress the trigger again and release the trigger switch. Keep hands and material from wheel until it has coasted to a stop. To prevent unauthorized use of tool, install a standard padlock (not included) into the padlock hole (O) located in the trigger.

Material Clamping and Supporting

- Angles are best clamped and cut with both legs resting against base.
- A spacer block slightly narrower than the work piece can be used to increase wheel utilization (Fig. 2).
- Long work pieces must be supported by a block so it will be level with top of base (Fig. 3). The cut off end should be free to fall downward to avoid wheel binding.

Vise Operation (fig. 4)

The vise (F) has a quick-travel feature. To release the vise when it is clamped tightly, turn the crank (H) counter-clockwise one or two times to remove clamping pressure. Lift vise lever (I) up. Pull crank assembly out as far as desired. Vise may be

pushed forward into work without cranking. Lower vise lever (I) then tighten vise (F) on work by using crank (H).

Fence Operation (fig. 5, 6)

CAUTION: Turn off and unplug the tool before making any adjustments or removing or installing attachments or accessories. Be sure the trigger switch is in the OFF position. The fence (E) can be adjusted two ways: to change desired cutting angle and to change spacing between the fence and vise.

To Change the Desired Cutting Angle

Use the wrench provided to loosen (do not remove) the two fence bolts (P). Align the desired angle indicator line with the slot line (Q) in the base (D). Securely tighten both fence bolts before use. For more accurate square cuts, disconnect the power supply, loosen the two fence bolts, push arm down until wheel extends into base. Place a square against the wheel and adjust fence against the square. Securely tighten both fence bolts before use. When making a miter cut, the vise (F) may not clamp securely, depending on the thickness of the workpiece and the miter angle. Other aids (such as spring, bar or C-clamps) will be necessary to secure the work piece to the fence when making these cuts.

To Change Spacing between The Fence and Vise

Using the wrench provided, loosen and remove the two fence bolts (P). Adjust the fence (E) to desired locations. Insert both fence bolts in provided locations. Securely tighten both fence bolts before use.

Removal and Installation of Wheels (fig. 7, 8)



CAUTION: Turn off and unplug the tool before making any adjustments or removing or installing attachments or accessories. Be sure the trigger switch is in the OFF position. Do not make any adjustment while the wheel is in motion. Do not make any adjustment while chop saw is plugged into power supply.

1. Push in spindle lock (L) and rotate wheel (J) by hand until wheel lock lever engages slot in inside flange (R) to lock wheel. Loosen the bolt (S) counterclockwise in the center of the abrasive wheel with the 8mm hex wrench (G). Bolt has right-hand thread.

2. Remove the bolt (S), washer (T), outside flange (U) and old wheel (J).
3. Make sure flange surfaces are clean and flat. Install the new abrasive wheel by reversing the above steps.
4. Do not overtighten bolt.



WARNING: Check the work surface that the chop saw rests on when replacing with a new abrasive wheel. It is possible that the wheel may contact **ANY ITEMS OR STRUCTURE THAT EXTENDS ABOVE** work surface (under the base) when the arm is fully lowered.

OPERATION TIPS FOR MORE ACCURATE CUTS

- Allow the wheel to do the cutting. Excessive force will cause the wheel to glaze reducing cutting efficiency and/or to deflect causing inaccurate cuts.
- Properly adjust fence angle.
- Make sure material is laying flat across base.
- Properly clamp material to avoid movement and vibration.

MOTOR BRUSH INSPECTION AND REPLACEMENT (FIG.9)



WARNING: Turn off and unplug the tool. Be sure the trigger switch is in the OFF position. Brushes should be regularly inspected for wear. To inspect brushes, unscrew the two end cap screws (V) and remove end cap (W). Remove brush cap (Y). Brushes (X) should slide freely in brush box. If brushes are worn down to .3" (8mm) as shown in Figure 9 they should be replaced. To reinstall, push new brush back into brush box. If replacing existing brush, maintain same orientation as when removed. Replace the brush cap (do not overtighten). Replace end cap and two screws. Tighten securely.

MAINTENANCE

Your DEWALT power tool has been designed to operate over a long period of time with a minimum of maintenance. Continuous satisfactory operation depends upon proper tool care and regular cleaning.



WARNING: To reduce the risk of injury, turn unit off and disconnect

machine from power source before installing and removing accessories, before adjusting or changing set-ups or when making repairs. Be sure the trigger switch is in the OFF position. An accidental start-up can cause injury.



Lubrication

Your power tool requires no additional lubrication.



Cleaning



WARNING: Blow dirt and dust out of the main housing with dry air as often as dirt is seen collecting in and around the air vents. Wear approved eye protection and approved dust mask when performing this procedure.



WARNING: Never use solvents or other harsh chemicals for cleaning the non-metallic parts of the tool. These chemicals may weaken the materials used in these parts. Use a cloth dampened only with water and mild soap. Never let any liquid get inside the tool; never immerse any part of the tool into a liquid.

Optional Accessories



WARNING: Since accessories, other than those offered by DEWALT, have not been tested with this product, use of such accessories with this tool could be hazardous. To reduce the risk of injury, only DEWALT, recommended accessories should be used with this product.

Consult your dealer for further information on the appropriate accessories.

Protecting the Environment



Separate collection. This product must not be disposed of with normal household waste.



Separate collection of used products and packaging allows materials to be recycled and used again. Re-use of recycled materials helps prevent environmental pollution and reduces the demand for raw materials.

Local regulations may provide for separate collection of electrical products from the household, at municipal waste sites or by the retailer when you purchase a new product.

DEWALT provides a facility for the collection and recycling of DEWALT products once they have reached the end of their working life. To take advantage of this service please return your product to any authorised repair agent who will collect them on our behalf.

You can check the location of your nearest authorised repair agent by contacting your local DEWALT office at the address indicated in this manual. Alternatively, a list of authorised DEWALT repair agents and full details of our after-sales service and contacts are available on the Internet at: **www.2helpU.com**.

型材切割机

D28720

恭喜！

感谢您选购 DEWALT 工具。凭借多年的产品开发和创新能力，DEWALT 已经成为专业电动工具用户最可靠的合作伙伴之一。

技术参数

D28720-A9		
电压	伏特	220
输入功率	瓦	2200
频率	赫兹	50
空载转速	转/分	3800
砂轮直径	毫米	355
砂轮厚度	毫米	2.8

定义：安全指引

下列定义描述了各警示词的严重程度。请仔细阅读本手册，并注意这些警示符号。



危险：表示存在紧急危险情况，如果不加以避免，**将导致死亡或严重伤害。**



警告：表示存在潜在的危险情况，如果不加以避免，**可能导致死亡或严重伤害。**



警示：表示存在潜在危险情况，如果不加以避免，**可能导致轻度或中度伤害。**

注意：表示存在不涉及人身伤害的情况，如果不加以避免，**可能导致财产损失。**



表示存在触电风险。



表示存在火灾风险。



警告：为降低伤害风险，请阅读使用手册。

电动工具通用安全警告



警告！阅读所有警告和所有说明。不遵照以下警告和说明会导致电击、着火和/或严重伤害。

保存所有警告和说明书以备查阅。

在所有下列的警告中术语“电动工具”指市电驱动（有线）电动工具或电池驱动（无线）电动工具。

1) 工作场地的安全

- 保持工作场地清洁和明亮。混乱和黑暗的场地会引发事故。
- 不要在易爆环境，如有易燃液体、气体或粉尘的环境下操作电动工具。电动工具产生的火花会点燃粉尘或气体。
- 让儿童和旁观者离开后操作电动工具。注意力不集中会使你失去对工具的控制。

2) 电气安全

- 电动工具插头必须与插座相配。绝不能以任何方式改装插头。需接地的电动工具不能使用任何转换插头。未经改装的插头和相配的插座将减少电击危险。
- 避免人体接触接地表面，如管道、散热片和冰箱。如果你身体接地会增加电击危险。
- 不得将电动工具暴露在雨中或潮湿环境中。水进入电动工具将增加电击危险。
- 不得滥用电线。绝不能用电线搬运、拉动电动工具或拔出其插头。使电线远离热源、油、锐边或运动部件。受损或缠绕的软线会增加电击危险。
- 当在户外使用电动工具时，使用适合户外使用的外接软线。适合户外使用的软线将减少电击危险。
- 如果在潮湿环境下操作电动工具是不可避免的，应使用剩余电流动作保护器（RCD）。使用 RCD 可减小电击危险。

3) 人身安全

- 保持警觉，当操作电动工具时关注所从事的操作并保持清醒。当你感到疲倦，或在有药物、酒精或治疗反应时，不要操作电动工具。在操作电动工具时瞬间的疏忽会导致严重人身伤害。
- 使用个人防护装置。始终佩戴护目镜。安全装置，诸如适当条件下使用防尘面具、防滑安全鞋、安全帽、听力防护等装置能减少人身伤害。
- 防止意外起动。确保开关在连接电源和/或电池组、拿起或搬运工具时处于关断位置。手指放在已接通电源的开关上或开关处于接通时插入插头可能会导致危险。

- d) 在电动工具接通之前，拿掉所有调节钥匙或扳手。遗留在电动工具旋转零件上的扳手或钥匙会导致人身伤害。
 - e) 手不要伸展得太长。时刻注意立足点和身体平衡。这样在意外情况下能很好地控制电动工具。
 - f) 着装适当。不要穿宽松衣服或佩戴饰品。让你的衣服、手套和头发远离运动部件。宽松衣服、佩饰或长发可能会卷入运动部件中。
 - g) 如果提供了与排屑、集尘设备连接用的装置，要确保他们连接完好且使用得当。使用这些装置可减少尘屑引起的危险。
- 4) 电动工具使用和注意事项
- a) 不要滥用电动工具，根据用途使用适当的电动工具。选用适当设计的电动工具会使你工作更有效、更安全。
 - b) 如果开关不能接通或关断工具电源，则不能使用该电动工具。不能用开关来控制的电动工具是危险的且必须进行修理。
 - c) 在进行任何调节、更换附件或贮存电动工具之前，必须从电源上拔掉插头和 / 或使电池组与工具脱开。这种防护性措施将减少工具意外起动的危险。
 - d) 将闲置不用的电动工具贮存在儿童所及范围之外，并且不要让不熟悉电动工具或对这些说明不了解的人操作电动工具。电动工具在未经培训的用户手中是危险的。
 - e) 保养电动工具。检查运动件是否调整到位或卡住，检查零件破损情况和影响电动工具运行的其他状况。如有损坏，电动工具应在使用前修理好。许多事故由维护不良的电动工具引发。
 - f) 保持切削刀具锋利和清洁。保养良好的有锋利切削刃的刀具不易卡住而且容易控制。
 - g) 按照使用说明书，考虑作业条件和进行的作业来使用电动工具、附件和工具的刀头等。将电动工具用于那些与其用途不符的操作可能会导致危险。

5) 维修

- a) 将你的电动工具送交专业维修人员，使用同样的备件进行修理。这样将确保所维修的电动工具的安全性。

型材切割机的附加安全说明

- 始终佩戴合适的护目装备和呼吸保护装置。
- 使用前，检查切割砂轮是否有裂痕或瑕疵。如果裂痕或瑕疵很明显，请丢弃该砂轮。如果您认为工具可能曾经跌落，也可随时检查砂轮。瑕疵可能导致砂轮破损。
- 启动已安装新砂轮或替换砂轮的工具体时，或不确定砂轮的状况时，请将该工具放在一个保护周全的区域内运行一分钟。如果砂轮存在未察觉到的裂痕或瑕疵，则会在一分钟内发生爆裂。切勿在有人（包括操作人员本人在内）与

砂轮呈直线时启动工具。

- 在操作过程中，避免撞击或粗暴操作砂轮。如果发生这种情况，请停止运行工具并检查砂轮是否有裂痕或瑕疵。
- 按照本手册中的说明定期清洁型材切割机。
- 请勿移除砂轮罩或底座。
- 始终使用台钳或特殊固定装置稳固夹紧工件。其它辅助工具，如弹簧夹、杆夹或 C 形夹等可用于特定大小和形状的工件。小心选择和放置这些夹具，并在切割操作前进行不带电演练。
- 只能使用额定转速为 4100 转/分或更高的 14 英寸 1 型砂轮。
- 先让切割零件冷却，然后再搬运。
- 请勿尝试使用本工具切割木材或塑料。
- 切勿使用本工具切割镁。
- 在通风良好的区域使用型材切割机。
- 从底座上移除任何工件前，先关闭型材切割机电源。
- 请勿切割通电材料。
- 此工具上不能使用圆锯片或任何其他锯齿片。否则可能造成严重伤害。
- 请勿在易燃液体、气体或粉尘附近操作此工具。切割或电弧马达电刷产生的火花或灼热的碎屑可能引燃易燃材料。
- 注意，使用前必须确保正确安装和紧固研磨切割砂轮，包括按照说明在安全位置空载运行机器 30 秒，如果有明显振动，请立即停止并更换切割砂轮。
- 请勿使用研磨砂轮的侧面作为去毛刺角磨机。否则会严重削弱砂轮，出现不安全状况。砂轮可能会裂开。



警示：使用时佩戴适当的听力保护装置。在某些情况下、以及长时间使用时，本产品的噪音可能导致听力损伤。



警示：火花偏转板的温度会升高。高温时避免接触或调整。确保电线组件和材料远离火花偏转板。

- 避免长时间接触与电动砂光、锯切、磨削、钻孔及其他建筑活动产生的粉尘。身穿防护服，用肥皂和水清洗暴露在粉尘下的区域。粉尘进入嘴巴、眼睛或接触皮肤可能会导致人体吸收有害的化学物质。



警告：始终使用 NIOSH/OSHA 认可的、与所暴露的灰尘类型相适的呼吸保护装置。避免颗粒直接接触面部和身体。出于便利和安全方面的考虑，请注意以下针对重载 14 英寸（355 毫米）型材切割机的警告：



阅读使用手册以确保安全操作。

- 请勿使用锯齿片。
- 只能使用额定转速为 4100 转/分或更高的增强砂轮。
- 维修时只能使用相同的替换部件。
- 始终：佩戴护目装备、使用护罩、使用台钳夹紧工件并使用合适的呼吸保护装置。
- 请勿暴露在雨中或在潮湿环境中使用。
- 只能使用最大厚度 2.8 毫米和最大直径 355 毫米的型材切割机砂轮。

剩余风险

- 使用这些机器时具有下列风险：
 - 接触旋转部件造成的伤害。
 - 切割片破裂造成的伤害。
- 这些危险最常见于：
 - 在操作范围内。
 - 在旋转机器部件范围内。
- 尽管遵守了相关的安全法规并采用了安全装备，某些剩余风险仍然是无法避免的。这些风险包括：
 - 听力损伤。
 - 旋转切割片的未遮盖部件造成的事故风险。
 - 更换锯片时的受伤风险。
 - 打开护罩时夹伤手指的风险。

工具上的标记

工具上印有下列标志：



使用前请阅读使用手册。



请佩戴护目装备。



请佩戴听力保护器。



孔径。

日期代码位置

机壳表面印有日期代码 (R)，日期 代码包括制造年份。

例如：

2016 XX XX

制造年份

包装内的物品

本产品包装内的物品有：

- 1 型材切割机
- 1 扳手
- 1本 使用手册

- 检查工具、部件或附件是否在运输过程中损坏。
- 操作前，请抽空仔细阅读并掌握本手册。

描述 (图 1、4)



警告：切勿改装电动工具或其任何部件。否则可能会导致损坏或人身伤害。

- A. 锁定链
- B. 火花偏转板螺钉
- C. 火花偏转板
- D. 底座
- E. 挡板
- F. 台钳
- G. 平板扳手
- H. 曲柄
- I. 台钳扳手
- J. 砂轮
- K. 护罩
- L. 主轴锁
- M. 限深器螺栓和螺帽
- N. 触发开关
- O. 挂锁孔
- P. 挡板螺栓
- Q. 锁定开关

设计用途

您的 D28720 型材切割机设计用于切割各种形状的钢材。

请勿在潮湿环境中或在有易燃液体或气体的环境中使用。

D28720 型材切割机是专业电动工具。

请勿让儿童接触工具。缺乏经验的操作员需要在监督下使用本工具。

电器安全

电机只适用一种工作电压。请务必检查电源电压是否与铭牌上的电压一致。



您的 DEWALT 工具进行了双重绝缘，因此无需接地线。

若电源线损坏，必须交由 DEWALT 服务部门采用专门制备的电线进行更换。

使用延长电缆

如需使用延长电缆，请使用与本工具的输入电源（见**技术参数**）相符且经检验的 3 芯延长电缆。导体的最小尺寸为 1.5 平方毫米，最大长度为 30 米。

使用电缆卷筒时，请务必拉出所有的电缆。

连接到主电源

用于此工具的主电源必须配备一根具有延时能力的 16 安断流保险丝。

电压下降

浪涌电流会造成短时电压下降。在不适宜的电源条件下，可能影响其他设备。

如果电源的系统阻抗小于 0.11 欧姆，不太可能发生干扰。

电源

确保您的电源与铭牌标记相符。超过 10% 的电压下降会导致功率损失和过热。

切割能力

宽台钳开口和高枢轴点可切割许多大型工件。参照切割能力图表确定使用新砂轮可实现的总体最大切割尺寸。



警示：某些大型的圆形或不规则形状物体如果不能使用台钳安全固定，则可能需要额外的固定方法。



警示：请勿使用本工具切割镁。

最大切割能力

注：图表显示的是假设砂轮无磨损且处于最佳挡板位置时的能力。

工件形状：				
90° 切割角	A = 4-7/8" (125mm)	A = 4-1/2" (115mm)	4-1/2" x 5-1/8" (115mm x 130mm) 4" x 7-5/8" (102mm x 188mm) 3" x 7-3/8" (76mm x 229mm)	A = 4-1/2" x 5-3/8" (115mm x 137mm)
45° 切割角	A = 4-1/2" (115mm)	A = 3-13/16" (98mm)	4-1/2" x 3-13/16" (105mm x 95mm)	A = 3-13/16" 3-3/4" (95mm)

使用

搬运（图 1）

向下折叠到位，以便搬运型材切割机。将锁定链 (A) 推入锁定臂。安装工具托架（图 3）

安装说明（图 3）

使用两个 M10 螺栓穿过固定的孔，将工具固定于稳定的位置。

解锁（图 1）

要解锁工具并抬高工具头，请轻轻按下电机臂然后拉出锁定链 (A)。电机臂会沿枢轴向上转动。

火花偏转板调整（图 1）

要尽可能偏转火花以远离周围的人员和材料，请拧松螺钉 (B)，调整火花偏转板 (C)，然后重新拧紧螺钉。避免电线组件接触偏转板或火花，否则可能损坏偏转板。

限深器（图 1）

全新 14 英寸砂轮出厂配备限深器，以防止砂轮切入支撑面。要增加切割深度，请使用随附的平板扳手 (G) 拧松限深器螺栓 (M)，将螺栓提升到所需高度，然后顺时针旋转螺帽直到螺帽牢牢固定在铸件上。使用前拧紧限深器螺栓。



警示：更换新砂轮时，将限深器重新调整到原始位置以防切入支撑面。

触发开关 (图 1)

要启动工具，请按下触发开关 (N)，接着按下自锁钮保持机器持续运行。要关闭工具，请再次按下后松开触发开关。确保双手和材料远离砂轮，直到砂轮惯性旋转至停止。要防止未经授权使用工具，请将标准挂锁 (另购) 安装到触发位置的挂锁孔 (O)。

材料夹紧和支撑

- 最好的夹紧和切割角度是两个脚架稳固支撑在底座上。
- 垫块比工件稍窄，可增加砂轮利用率 (图 2)。
- 长工件必须用垫块支撑以便与底座顶部持平 (图 3)。切割端应可自由下落以避免砂轮卡住。

台钳操作 (图 4)

台钳有快速移动功能。要松开夹紧的台钳，请将曲柄 (H) 按逆时针方向旋转一到两次以移除夹紧压力。抬起台钳拨杆 (I)。将曲柄组件向外拉至最远处。台钳可在不使用曲柄的情况下向前推进到工件上。放下台钳拨杆 (I)，然后通过曲柄 (H) 使用台钳 (F) 紧固工件。

挡板操作 (图 5、6)

警示：在进行任何调整或者取出或安装附件或配件之前，请关闭工具的电源并拔下插头。确保触发开关处于 OFF (关闭) 位置。挡板 (E) 的调整方法有两种：更改所需的切割角度以及更改挡板和台钳之间的间距。

更改所需的切割角度

使用随附的扳手拧松 (请勿移除) 两颗挡板螺栓 (P)。将所需的角度的指示线与底座 (D) 上的插槽线 (Q) 对齐。使用前拧紧两颗挡板螺栓。要实现更精确的直角尺切割，请断开电源连接，拧松两颗挡板螺栓，然后向下推机臂直到砂轮深入底座。紧靠砂轮放置直角尺，然后根据直角尺调整挡板。使用前拧紧两颗挡板螺栓。进行斜角切割时，台钳 (F) 可能不会夹紧，具体取决于工件的厚度和斜角角度。进行这些切割时，需要使用其他辅助工具 (如弹簧夹、杆夹或 C 形夹) 以将工件固定到挡板上。

更改挡板和台钳之间的间距

使用随附的扳手拧松并移除两颗挡板螺栓 (P)。将挡板 (E) 调整到所需位置。在固定位置插入两颗挡板螺栓。使用前拧紧两颗挡板螺栓。

移除和安装砂轮 (图 7、8)



警示：在进行任何调整或者取出或安装附件或配件之前，请关闭工具的电源并拔下插头。请确保触发开关处于 OFF (关闭) 位置。请勿在砂轮旋转时进行任何调整。请勿在型材切割机插入电源时进行任何调整。

1. 推入主轴锁 (L) 并手动旋转砂轮 (J)，直到砂轮锁定杆和内部法兰 (R) 上的插槽接合以锁定砂轮。使用 8 毫米六角扳手 (G) 按逆时针方向拧松研磨砂轮中心的螺栓 (S)。螺栓具有右旋螺纹。
2. 移除螺栓 (S)、垫圈 (T)、外部法兰 (U) 和旧砂轮 (J)。
3. 确保法兰表面干净平整。按照以上相反步骤安装新研磨砂轮。
4. 请勿过度拧紧螺栓。



警告：更换新研磨砂轮时检查放置型材切割机的工作表面。机臂完全放下时，砂轮可能会接触工作表面 (底座下) 的突出部分或任何突出物体。

更精确切割的操作提示

- 让砂轮自行切割。用力过度会导致砂轮变光滑，从而降低切割效率和/或偏转，造成切割不精确。
- 正确调整挡板角度。
- 确保材料平坦放置在底座上。
- 正确夹紧材料，避免移动和振动。

电机电刷检查和更换 (图 9)



警告：关闭电源并拔下工具插头。请确保触发开关处于 OFF (关闭) 位置。应定期检查电刷是否磨损。要检查电刷，请拧松两颗端盖板螺钉 (W) 然后移除端盖板 (V)。移除电刷盖 (Y)。电刷 (X) 应可在电刷盒中自由滑动。如果电刷磨损到如图 9 所示的 3 英寸 (8 毫米)，则应更换。要重新安装，请将新电刷推回电刷盒。如果更换现有电刷，请保持移除时的相同方向。更换电刷盖 (请勿拧得过紧)。更换端盖板和两颗螺钉。然后拧紧。

维护

DEWALT 电动工具设计精良，可以长期使用，而且只需最少的维护。要连续获得令人满意的工作效果，需要进行合适的工具维护和定期清洁。



警告：为降低人身伤害的风险，在拆、装附件或调整、修理工具之前，请关闭工具并拔下工具插头。请确保触发开关处于 OFF（关闭）位置。意外启动可能会导致人身伤害。



润滑

本电动工具无需另行润滑。



清洁



警告：一旦通风口和周围积聚了可见的粉尘，请立即用干燥的空气吹走主机外壳内的粉尘和灰尘。执行此过程时，需戴上经认可的护目装备和防尘面具。



警告：切勿使用溶剂或其他刺激性化学制品来清洁工具的非金属部件。这些化学物质可能会削弱这些部件使用的材料。请用布蘸温和的肥皂水擦拭。切勿让任何液体渗入工具，切勿让工具的任何部件浸在液体中。

可选附件



警告：除了 DEWALT 提供的附件之外，其他附件都未经此产品兼容性测试，若将此类附件与本工具一起使用将存在安全隐患。为降低人身伤害风险，本产品只可使用 DEWALT 推荐的附件。

请向您的经销商咨询更多关于合适附件的信息。

保护环境



分类回收。本产品不得与普通家庭垃圾一起处理。

如果您发现您的 DEWALT 产品需要更换或您已经不再需要使用这些产品，请不要将它们与家庭垃圾一起处理。请将它们单独分类回收。



分类回收使用过的产品和包装能够让材料得以再循环和再利用。回收材料的再利用有助于防止环境污染，并降低对原材料的需求。

当地法规可能要求由市政废物处理点或向您出售新产品的零售商提供从家庭中分类回收电气产品的服务。

DEWALT 提供设施收集和回收使用寿命到期的 DEWALT 产品。若要享受这项服务，请将产品送回任一授权维修代理，他们将代表我们回收您的产品。

请根据本手册所提供的地址与当地 DEWALT 办事处联系，查询离您最近的授权维修代理的位置。或者，您也可以登陆以下网站查询 DEWALT 授权维修代理名单，以及我们的售后服务和联系方式的详细信息，网址是：www.2helpU.com。

制造商:百得(苏州)科技有限公司

地址:苏州工业园区苏虹中路200号出口加工区

产地:上海

