

DEWALT®

www.**DEWALT**.eu

D28710

English (original instructions)	5
Français (traduction de la notice d'instructions originale)	13
ةيلصال تاميل عتلا نع مچرتم) ةيبرعلا	22

Figure 1

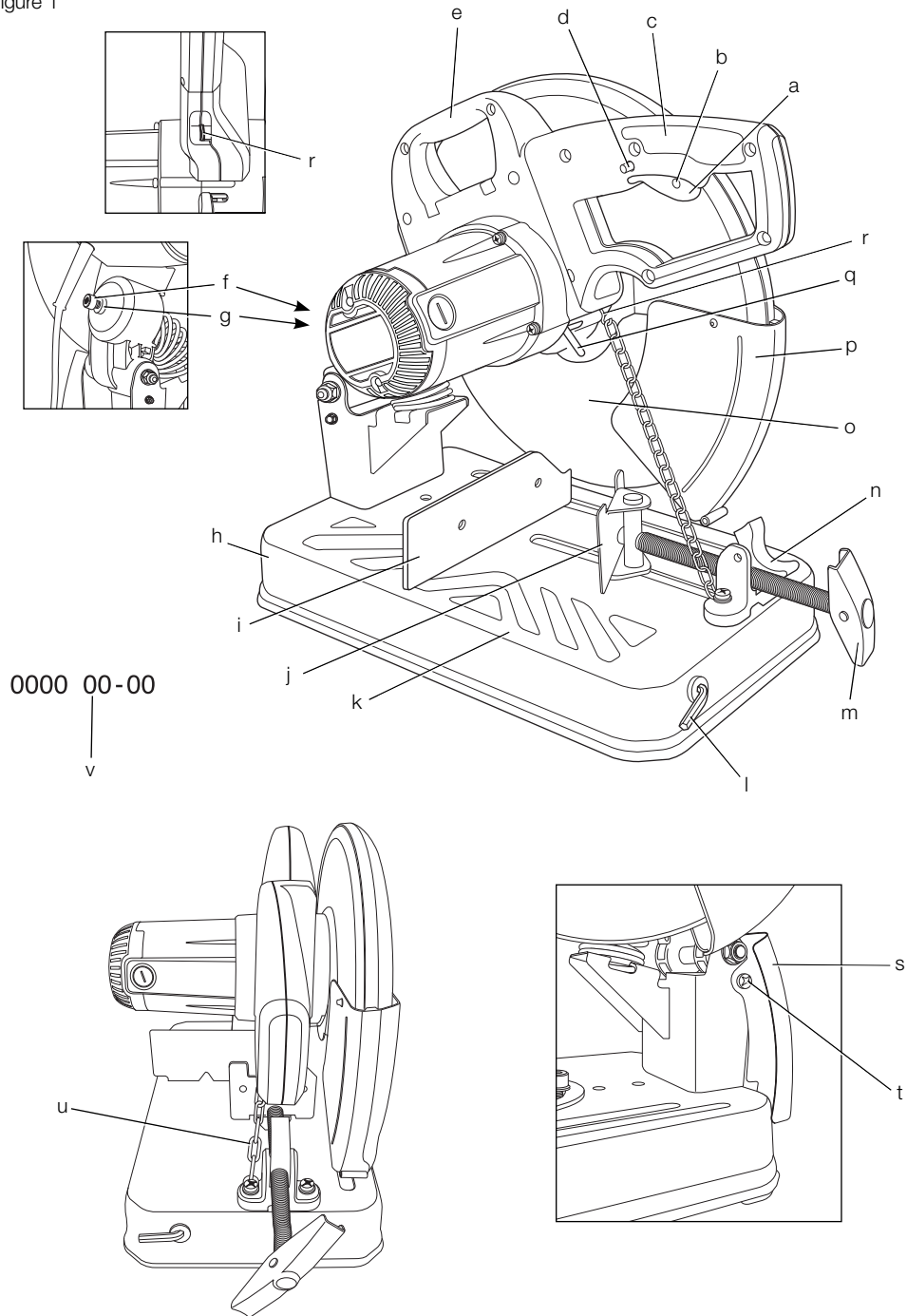


Figure 2

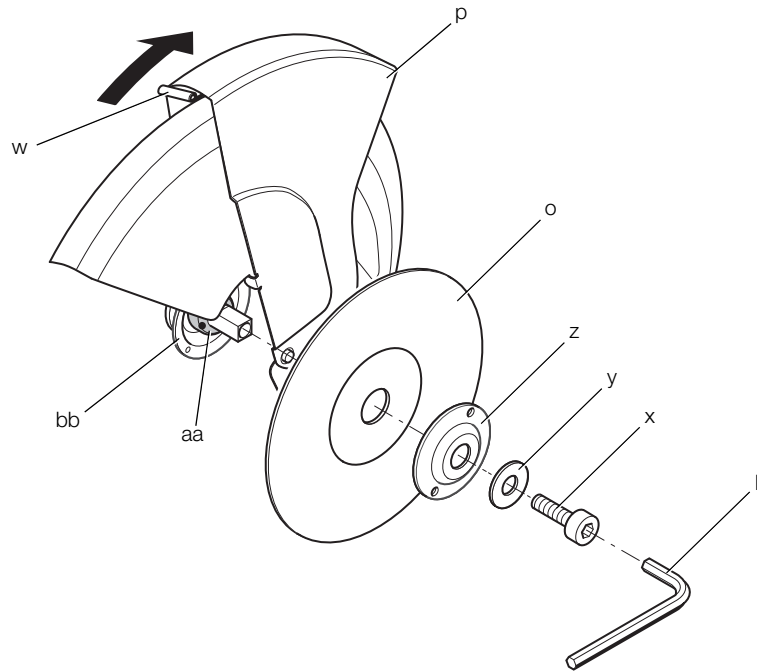


Figure 3A

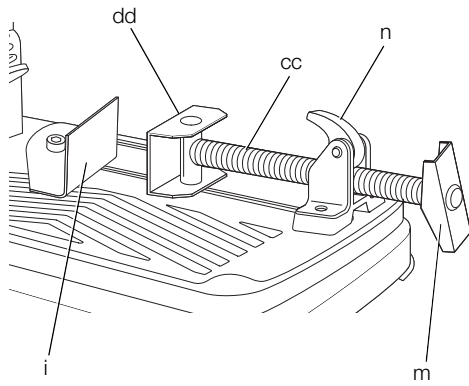


Figure 3B

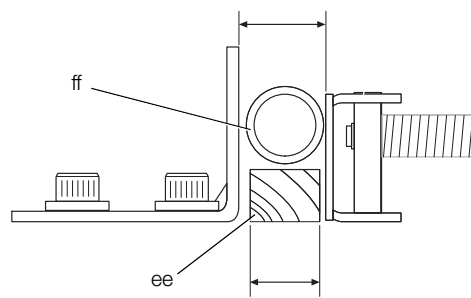


Figure 3C

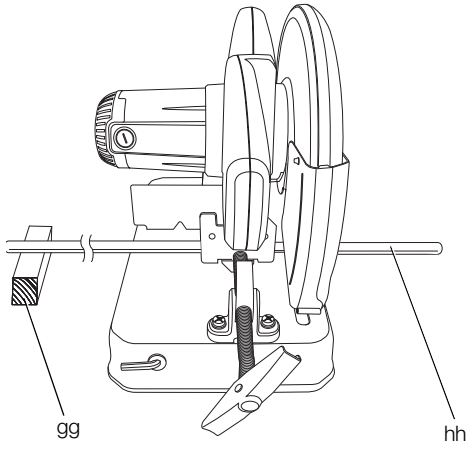


Figure 3D

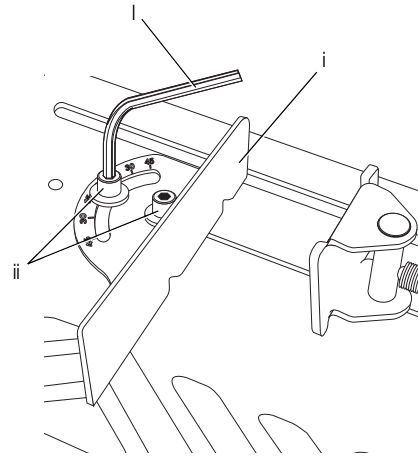


Figure 4

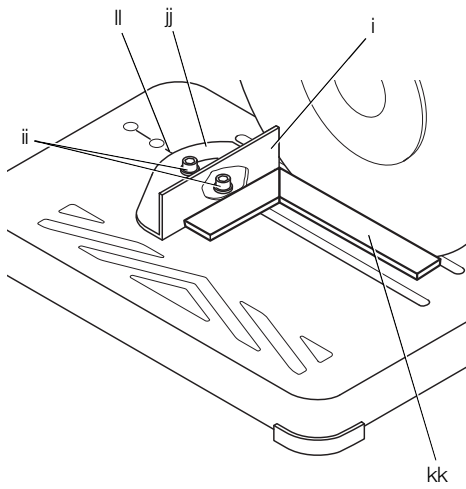


Figure 5

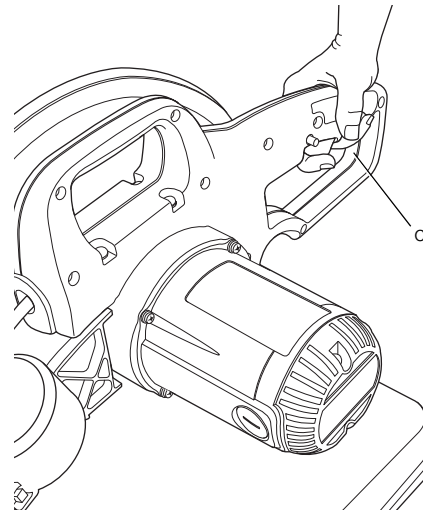


Figure 6

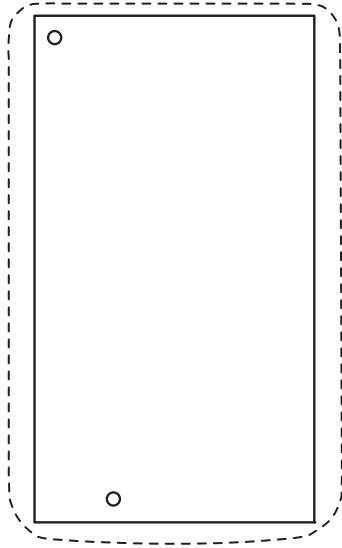
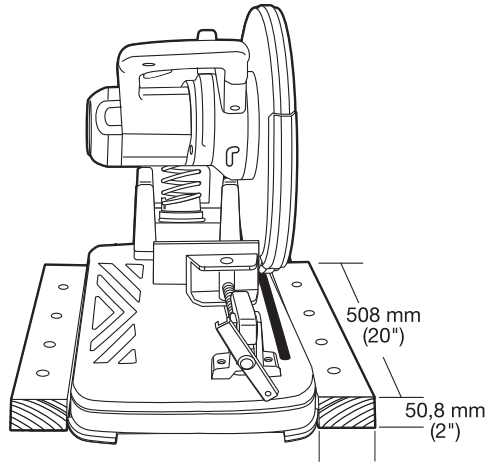


Figure 7



CHOPSAW

D28710

Congratulations!

You have chosen a DEWALT tool. Years of experience, thorough product development and innovation make DEWALT one of the most reliable partners for professional power tool users.

Technical Data

		D28710-B4	D28710-B5
Voltage	V	127	220–240
Type		1	1
Power input	W	2200	2200
No-load speed	min ⁻¹	3800	3800
Min. peripheral speed cutting disc	m/s	80	80
Disc diameter	mm	355	355
Disc bore	mm	25.4	25.4
Disc body thickness	mm	3.1	3.1
Type of cutting disc		straight, non-recessed	straight, non-recessed
Cross-cutting capacity at 90°			
circular	mm	130	
square	mm	120 x 120	
rectangular	mm	115 x 130	
angular	mm	137 x 137	
Cross-cutting capacity at 45°			
circular	mm	115	
square	mm	107 x 107	
rectangular	mm	115 x 107	
angular	mm	115 x 115	
Weight	kg	16.6	16.6
L_{PA} (sound pressure)	dB(A)	92.3	92.3
K_{PA} (sound pressure uncertainty)	dB(A)	3.0	3.0
L_{WA} (sound power)	dB(A)	105.3	105.3
K_{WA} (sound power uncertainty)	dB(A)	3.0	3.0
Vibration total values (tri-ax vector sum) determined according to EN 61029:			
Vibration emission value a_h			
$a_h =$	m/s ²	3.3	3.3
Uncertainty K =	m/s ²	1.5	1.5

The vibration emission level given in this information sheet has been measured in accordance with a standardised test given in EN 61029 and may be used to compare one tool with another. It may be used for a preliminary assessment of exposure.



WARNING: The declared vibration emission level represents the main applications of the tool. However if the tool is used for different applications, with different accessories or poorly maintained, the vibration emission may differ. This may significantly increase the exposure level over the total working period.

An estimation of the level of exposure to vibration should also take into account the times when the tool is switched off or when it is running but not actually doing the job. This may significantly reduce the exposure level over the total working period.

Identify additional safety measures to protect the operator from the effects of vibration such as: maintain the tool and the accessories, keep the hands warm, organisation of work patterns.

Definitions: Safety Guidelines

The definitions below describe the level of severity for each signal word. Please read the manual and pay attention to these symbols.



DANGER: Indicates an imminently hazardous situation which, if not avoided, **will** result in **death or serious injury**.



WARNING: Indicates a potentially hazardous situation which, if not avoided, **could** result in **death or serious injury**.



CAUTION: Indicates a potentially hazardous situation which, if not avoided, **may** result in **minor or moderate injury**.

NOTICE: Indicates a practice **not related to personal injury** which, if not avoided, **may** result in **property damage**.



Denotes risk of electric shock.



Denotes risk of fire.



WARNING: To reduce the risk of injury, read the instruction manual.

General Power Tool Safety Warnings



WARNING! Read all safety warnings and all instructions. Failure to follow the warnings and instructions may result in electric shock, fire and/or serious injury.

SAVE ALL WARNINGS AND INSTRUCTIONS FOR FUTURE REFERENCE

The term "power tool" in the warnings refers to your mains-operated (corded) power tool or battery-operated (cordless) power tool.

1) WORK AREA SAFETY

- a) **Keep work area clean and well lit.** Cluttered or dark areas invite accidents.
- b) **Do not operate power tools in explosive atmospheres, such as in the presence of flammable liquids, gases or dust.** Power tools create sparks which may ignite the dust or fumes.
- c) **Keep children and bystanders away while operating a power tool.** Distractions can cause you to lose control.

2) ELECTRICAL SAFETY

- a) **Power tool plugs must match the outlet. Never modify the plug in any way. Do not use any adapter plugs with earthed (grounded) power tools.** Unmodified plugs and matching outlets will reduce risk of electric shock.
- b) **Avoid body contact with earthed or grounded surfaces such as pipes, radiators, ranges and refrigerators.** There is an increased risk of electric shock if your body is earthed or grounded.
- c) **Do not expose power tools to rain or wet conditions.** Water entering a power tool will increase the risk of electric shock.
- d) **Do not abuse the cord. Never use the cord for carrying, pulling or unplugging the power tool. Keep cord away from heat, oil, sharp edges or moving parts.** Damaged or entangled cords increase the risk of electric shock.
- e) **When operating a power tool outdoors, use an extension cord suitable for outdoor use.** Use of a cord suitable for outdoor use reduces the risk of electric shock.
- f) **If operating a power tool in a damp location is unavoidable, use a residual current device (RCD) protected supply.** Use of an RCD reduces the risk of electric shock.

3) PERSONAL SAFETY

- a) **Stay alert, watch what you are doing and use common sense when operating a power tool. Do not use a power tool while you are tired or under the influence of drugs, alcohol or medication.** A moment of inattention while operating power tools may result in serious personal injury.
- b) **Use personal protective equipment. Always wear eye protection.** Protective equipment such as dust mask, non-skid safety shoes, hard hat, or hearing protection used for appropriate conditions will reduce personal injuries.
- c) **Prevent unintentional starting. Ensure the switch is in the off position before connecting to power source and/or battery pack, picking up or carrying the tool.** Carrying power tools with your finger on the switch or energising power tools that have the switch on invites accidents.
- d) **Remove any adjusting key or wrench before turning the power tool on.** A wrench or a key left attached to a rotating part of the power tool may result in personal injury.
- e) **Do not overreach. Keep proper footing and balance at all times.** This enables better control of the power tool in unexpected situations.
- f) **Dress properly. Do not wear loose clothing or jewellery. Keep your hair, clothing and gloves away from moving parts.** Loose clothes, jewellery or long hair can be caught in moving parts.
- g) **If devices are provided for the connection of dust extraction and collection facilities, ensure these are connected and properly used.** Use of dust collection can reduce dust-related hazards.

4) POWER TOOL USE AND CARE

- a) **Do not force the power tool. Use the correct power tool for your application.** The correct power tool will do the job better and safer at the rate for which it was designed.
- b) **Do not use the power tool if the switch does not turn it on and off.** Any power tool that cannot be controlled with the switch is dangerous and must be repaired.
- c) **Disconnect the plug from the power source and/or the battery pack from the power tool before making any adjustments, changing accessories, or storing power tools.** Such preventive safety measures reduce the risk of starting the power tool accidentally.

- d) **Store idle power tools out of the reach of children and do not allow persons unfamiliar with the power tool or these instructions to operate the power tool.**
Power tools are dangerous in the hands of untrained users.
- e) **Maintain power tools. Check for misalignment or binding of moving parts, breakage of parts and any other condition that may affect the power tool's operation. If damaged, have the power tool repaired before use.** Many accidents are caused by poorly maintained power tools.
- f) **Keep cutting tools sharp and clean.**
Properly maintained cutting tools with sharp cutting edges are less likely to bind and are easier to control.
- g) **Use the power tool, accessories and tool bits etc., in accordance with these instructions taking into account the working conditions and the work to be performed.** Use of the power tool for operations different from those intended could result in a hazardous situation.

5) SERVICE

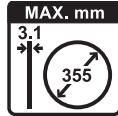
- a) **Have your power tool serviced by a qualified repair person using only identical replacement parts.** This will ensure that the safety of the power tool is maintained.

Additional Specific Safety Rules for Chopsaws

- Always wear regular working gloves while operating this tool.
- Keep hands away from the cutting disc. Never cut workpieces that require manual action closer than 15 cm from the rotating cutting disc.
- Do not cut workpieces less than 1.2 mm in thickness when using the cutting disc supplied with this tool.
- Do not operate this tool without guards in place.
- Do not perform any operation freehand. Use the material clamp to clamp the workpiece securely.
- Never reach in the back of the cutting disc.
- Always position the tool on a flat, stable surface that is well maintained and free of loose materials, e.g. chips and cut-offs.
- Before using, inspect the cutting disc for cracks or flaws. Discard the cutting disc if a crack or flaw is evident or if it is otherwise defective.
- Make sure the cutting disc is not contacting the workpiece before the tool is switched on.
- In operation, avoid bouncing the cutting disc or giving it rough treatment. If this occurs, stop the tool and inspect the cutting disc.
- Do not operate the tool while standing in line with the cutting disc. Keep other persons away from the work area.
- Be aware of cutting chips and the material being cut. They may be sharp and hot. Allow cut off parts to cool before handling.
- The spark deflector becomes hot during use. Avoid touching or adjusting the spark deflector immediately after operation.
- Switch off the tool and wait for the cutting disc to stop before moving the workpiece or changing the settings.
- After switching off, never attempt to stop the cutting disc by pressing against the side of the disc.
- Do not use cutting fluids. These fluids could ignite or cause electrical shock.
- Check that the workpiece is properly supported.
- Use the cutting discs recommended by the manufacturer only.
- The max. allowable speed of the cutting disc must always be equal to or greater than the no-load speed of the tool specified on the nameplate.
- Do not use circular saw blades or any other toothed blades with this tool. Serious injury may result.
- Do not use cutting discs that do not conform to the dimensions stated in the technical data.
- Ensure that the abrasive cutting disc is correctly fitted and tightened before use.
- Read the operating instructions supplied by the wheel manufacturer.
- Let the tool run at no-load in a safe position for at least 30 seconds. If there is a considerable vibration or if any other defect occurs, stop the tool and check it to determine the cause.
- Do not use cutting discs for side grinding.
- Do not cut concrete, brick, tile or ceramic materials.
- Do not cut wood, plastic or synthetic materials.
- Do not cut cast-iron materials.
- Never cut magnesium materials.
- Do not cut electrically live material.
- Use this tool in a well-ventilated area. Do not operate the tool near flammable liquids, gases or dust. Sparks or hot chips from cutting or arcing motor brushes may ignite combustible materials.

ENGLISH

- Regularly clear the ventilation slots when working in dusty conditions. If it should become necessary to clean the slots, remember to unplug the tool first.
- Always store cutting discs well-protected and in a dry place, out of reach of children.
- Faults in the machine, including guards or cutting discs, should be reported as soon as they are discovered.
- Only use chop saw wheel of a max. thickness of 3.1 mm and a max. diameter of 355 mm.



WARNING: Use of this tool can generate dust containing chemicals known to cause cancer, birth defects or other reproductive harm. Use appropriate respiratory protection.

- Always secure the workpiece properly before cutting operation. Workpieces longer than 1.0 m shall be supported by suitable additional table, buck or roller table.
- Consider that the wheel continues to rotate after the machine is switched off.
- To prevent loss of control always fix the machine to a bench using screw-clamps or bolts of sufficient length and strength.

The following factors are of influence to noise production:

- The material to be cut.
- The type of the cutting disc.
- The feed force.



WARNING: Take appropriate measures for the protection of hearing.

Residual Risks

- The following risks are inherent to the use of these machines:
 - Injuries caused by touching the rotating parts.
 - Injuries caused by disruption of the cutting disc.
- These risks are most evident:
 - Within the range of operation.
 - Within the range of the rotating machine parts.
- In spite of the application of the relevant safety regulations and the implementation of safety devices, certain residual risks cannot be avoided. These are:
 - Impairment of hearing.

- Risk of accidents caused by the uncovered parts of the rotating cutting disc.
- Risk of injury when changing the disc.
- Risk of squeezing fingers when opening the guards.

Markings on Tool

The following pictograms are shown on the tool:



Read instruction manual before use.



Wear ear protection.



Wear eye protection.



Bore Diameter.

DATE CODE POSITION (FIG. 1)

The date code (v), which also includes the year of manufacture, is printed into the housing.

Example:

2011 XX XX

Year of Manufacture

Package Contents

The package contains:

- 1 Chopsaw
- 1 Cutting disc
- 1 Hex key
- 1 Instruction manual
- Check for damage to the tool, parts or accessories which may have occurred during transport.
- Take the time to thoroughly read and understand this manual prior to operation.

Description (fig. 1)



WARNING: Never modify the power tool or any part of it. Damage or personal injury could result.

- a. On/off switch
- b. Padlock hole
- c. Operating handle
- d. Lock-on button
- e. Carrying handle

- f. Depth stop bolt
- g. Lock nut
- h. Base
- i. Fence
- j. Material clamp
- k. Cutting table
- l. 8 mm hex key
- m. Handle
- n. Material clamp lever
- o. Cutting disc
- p. Guard
- q. Spindle lock
- r. Lock-down hook
- s. Spark deflector
- t. Spark deflector screw
- u. Lock-down chain
- v. Date code

INTENDED USE

Your D28710 chop saw has been designed for the cutting of variously shaped steel materials.

DO NOT use under wet conditions or in presence of flammable liquids or gases.

The D28710 chop saw is a professional power tool.

DO NOT let children come into contact with the tool. Supervision is required when inexperienced operators use this tool.

Electrical Safety

The electric motor has been designed for one voltage only. Always check that the power supply corresponds to the voltage on the rating plate.



Your DEWALT tool is double insulated in accordance with EN 61029; therefore no earth wire is required.

If the supply cord is damaged, it must be replaced by a specially prepared cord available through the DEWALT service organisation.

Using an Extension Cable

If an extension cable is required, use an approved 3-core extension cable suitable for the power input of this tool (see **Technical Data**). The minimum conductor size is 1.5 mm²; the maximum length is 30 m.

When using a cable reel, always unwind the cable completely.

Connecting to the Mains

The mains supply to be used for this machine must be equipped with a 16 A cut-out fuse with time delay.

Voltage Drops

Inrush currents cause short-time voltage drops. Under unfavourable power supply conditions, other equipment may be affected.

If the system impedance of the power supply is lower than 0.11 Ω, disturbances are unlikely to occur.

ASSEMBLY AND ADJUSTMENTS



WARNING: To reduce the risk of injury, turn unit off and disconnect machine from power source before installing and removing accessories, before adjusting or changing set-ups or when making repairs. Be sure the trigger switch is in the OFF position. An accidental start-up can cause injury.

Removing and Fitting a Cutting Disc (fig. 1, 2)

1. With the arm in the rest position, use the lip (w) to slide the guard (p) back. Leave the guard retracted (fig. 2).
2. Press and hold down the spindle lock (q) (fig. 1).
3. Rotate the cutting disc (o) until it locks.
4. Using the hex key (l), remove the bolt (x) by turning counterclockwise and then remove the flat washer (y) and the retaining flange (z) (fig. 2).
5. Check that the spacer (aa) is in place against the flange (bb).
6. Replace the cutting disc (o). Make sure that the new disc is placed onto the spacer (aa) in the correct rotational direction.
7. Secure the blade with the retaining flange (z), the flat washer (y) and the bolt (x).
8. Move the guard back down and release the spindle lock (q).
9. Adjust the cutting depth as necessary.

ADJUSTING THE CUTTING DEPTH (FIG. 1)

The cutting depth can be adjusted to meet the wear of the cutting disc.

- Make a dry run with the tool switched off and check for clearance.
- If adjustment is required, proceed as follows:
 - Loosen the lock nut (g) a few turns.

ENGLISH

- Turn the depth stop bolt (f) in or out as to achieve the required cutting depth.
- Tighten the lock nut (g).



WARNING: Always adjust the depth stop to its original position when replacing the cutting disc.

Clamping the Workpiece in Position (fig. 1, 3)

The tool is equipped with a material clamp (i) (fig. 1).

1. Pull the lever (n) toward the handle (m) (fig. 3A).
2. Push the clamp shaft (cc) forward until the jaw (dd) is almost touching the workpiece.
3. Press the lever (n) toward the jaw (dd) until it engages with the clamp shaft (cc).
4. Rotate the handle (m) clockwise and clamp the workpiece securely.
5. To release the workpiece, rotate the handle (m) counterclockwise.



WARNING:

- To increase the cutting capacity, place a spacer block (ee) under the workpiece (ff). The spacer block should be slightly narrower than the workpiece (fig. 3B).
- Support long workpieces using a piece of wood (gg) (fig. 3C). Do not clamp the cut off end (hh).

QUICK TRAVEL FEATURE (FIG. 3A)

The clamp has a quick travel feature.

To release the clamp, rotate the handle (m) one or two turns counterclockwise and pull the lever (n) toward the handle (m).

SETTING THE CLAMPING POSITION (FIG. 3D)

The clamping position can be set to match the cutting disc.

1. Remove the fence bolts (ii) using the hex key (l).
2. Move the fence (i) as required.
3. Re-fit the fence bolts (ii) and tighten them to lock the fence (i).

Adjusting the Angle of Cut (fig. 4)

The tool can be used for mitre cuts up to 45°.

1. Loosen the fence bolts (ii) to release the fence (i).
2. Set the fence (i) to the required angle. The angle can be read on the scale (jj).
3. Tighten the fence bolts (ii) to lock the fence (i).

Checking and Adjusting the Mitre Scale (fig. 1, 4)

1. Loosen the fence bolts (ii) to release the fence (i) (fig. 4).
2. Pull down the arm and lock it in this position using the lock-down chain (u) (fig. 1).
3. Place a square (kk) against the fence (i) and the left side of the cutting disc creating a perfect 90° (fig. 4). Check that the 0° marking on the scale (jj) aligns with the marking on the table (ll).
4. Tighten the fence bolts (ii) to lock the fence (i).
5. Release the lock-down chain (u) and return the arm to its upper rest position (fig. 1).

Adjusting the Spark Deflector (fig. 1)

1. Loosen the screw (t).
2. Set the spark deflector (s) as appropriate.
3. Tighten the screw (t).

Mounting (fig. 6, 7)



CAUTION: Tool must be supported on stable, level, non-skid surface to prevent unexpected movement when operating.

PROCEDURE FOR PERMANENT MOUNTING

1. Drill two holes 8 mm (5/16") through the work surface (fig. 6).
2. Insert 1/4-20 screws down through the holes in the base and through holes in mounting surface. The approximate length of the screws should be the thickness of the mounting surface plus 102 mm (4").
3. Tighten both screws securely.

CRADLE MOUNTING

1. Cut two boards approximately 508 x 50.8 x 101.6 mm (20" long x 2" high x 4") wide.
2. Place chop saw at desired work location.
3. Place boards tightly along side, and nail to work surface (fig. 7).

Prior to Operation

- Install the appropriate cutting disc. Do not use excessively worn discs. The maximum rotation speed of the tool must not exceed that of the cutting disc.
- Make sure the disc rotates in the direction of the arrows on the accessory and the tool.

- Secure the workpiece.
- Always set the spark deflector correctly.

OPERATION

Instructions for Use



WARNING:

- Always observe the safety instructions and applicable regulations.
- Do not apply excessive pressure to the tool.
- Avoid overloading. Should the tool become hot, let it run a few minutes under no-load condition.



WARNING: To reduce the risk of serious personal injury, turn tool off and disconnect tool from power source before making any adjustments or removing/installing attachments or accessories.

Proper Hand Position (fig. 5)



WARNING: To reduce the risk of serious personal injury, **ALWAYS** use proper hand position as shown.



WARNING: To reduce the risk of serious personal injury, **ALWAYS** hold securely in anticipation of a sudden reaction.

Proper hand position requires one hand on the operating handle (c), with the other hand guiding the workpiece.

Performing a Cut (fig. 1)

1. Place the material to be cut against the fence (i) and secure using the material clamp (j).
2. Turn the tool on and pull down the operating handle (c) to cut the workpiece. Allow the motor to reach full speed before cutting.
3. Allow the disc to cut freely. Do not force.
4. After completing the cut, switch off the tool and return the arm to its upper rest position.

Switching On and Off (fig. 1)

The on/off switch (a) is mounted in the operating handle (c).

To run the tool, press the on/off switch (a).

Keep the on/off switch depressed while performing the operation.

To stop the tool, release the switch.

The tool can be locked on for continuous use by depressing the on/off switch (a) and then by depressing the lock-on button (d). Hold the lock-on button (d) as the on/off switch (a) is gently released.

To turn the tool off from the locked on position, squeeze the on/off switch (a) and the lock-on button (d) is released.

Do not unplug the tool with the switch locked on. Make sure the tool is not locked on when plugging in.



WARNING: Do not switch the tool on or off when under load.



WARNING: Do not cut magnesium.

Transporting (fig. 1)

The tool is equipped with a lock-down chain (u) which locks the tool in closed-down position for carrying.

1. Lower the guard (p) onto the cutting table (k) and secure the tool in this position by hooking the chain (u) over the lock-down hook (r).
2. Transport the tool using the carrying handle (e).

To release the tool, depress the operating handle (c) slightly and release the chain.

MAINTENANCE

Your DEWALT power tool has been designed to operate over a long period of time with a minimum of maintenance. Continuous satisfactory operation depends upon proper tool care and regular cleaning.



WARNING: To reduce the risk of injury, turn unit off and disconnect machine from power source before installing and removing accessories, before adjusting or changing set-ups or when making repairs.

Be sure the trigger switch is in the OFF position. An accidental start-up can cause injury.



Lubrication

Your power tool requires no additional lubrication.

ENGLISH



Cleaning



WARNING: Blow dirt and dust out of the main housing with dry air as often as dirt is seen collecting in and around the air vents. Wear approved eye protection and approved dust mask when performing this procedure.



WARNING: Never use solvents or other harsh chemicals for cleaning the non-metallic parts of the tool. These chemicals may weaken the materials used in these parts. Use a cloth dampened only with water and mild soap. Never let any liquid get inside the tool; never immerse any part of the tool into a liquid.

Optional Accessories



WARNING: Since accessories, other than those offered by DEWALT, have not been tested with this product, use of such accessories with this tool could be hazardous. To reduce the risk of injury, only DEWALT recommended accessories should be used with this product.

Consult your dealer for further information on the appropriate accessories.

Protecting the Environment



Separate collection. This product must not be disposed of with normal household waste.



Should you find one day that your DEWALT product needs replacement, or if it is of no further use to you, do not dispose of it with household waste. Make this product available for separate collection.



Separate collection of used products and packaging allows materials to be recycled and used again. Re-use of recycled materials helps prevent environmental pollution and reduces the demand for raw materials.

Local regulations may provide for separate collection of electrical products from the household, at municipal waste sites or by the retailer when you purchase a new product.

DEWALT provides a facility for the collection and recycling of DEWALT products once they have reached the end of their working life. To take advantage of this service please return your product to any authorised repair agent who will collect them on our behalf.

You can check the location of your nearest authorised repair agent by contacting your local DEWALT office at the address indicated in this manual. Alternatively, a list of authorised DEWALT repair agents and full details of our after-sales service and contacts are available on the Internet at: www.2helpU.com.

TRONÇONNEUSE

D28710

Félicitations !

Vous avez choisi un outil DEWALT. Des années d'expertise dans le développement et l'innovation de ses produits ont fait de DEWALT, le partenaire privilégié des utilisateurs professionnels d'outils électriques.

Caractéristiques techniques

		D28710-B4	D28710-B5
Tension	V	127	220-240
Type		1	1
Puissance absorbée	W	2200	2200
Vitesse à vide	min ⁻¹	3800	3800
Vitesse périphérique min. de disque de coupe	m/s	80	80
Diamètre du disque	mm	355	355
Alésage du disque	mm	25,4	25,4
Épaisseur de corps du disque	mm	3,1	3,1
Type de disque de coupe		droit, sans renforcement	droit, sans renforcement
Capacité de tronçonnage en travers à 90°			
circulaire	mm	130	
carré	mm	120 x 120	
rectangulaire	mm	115 x 130	
angulaire	mm	137 x 137	
Capacidad de corte transversal a 45°			
circulaire	mm	115	
carré	mm	107 x 107	
rectangulaire	mm	115 x 107	
angulaire	mm	115 x 115	
Poids	kg	16,6	16,6
<hr/>			
L _{PA} (pression acoustique) dB(A)		92,3	92,3
K _{PA} (incertitude de pression acoustique) dB(A)		3,0	3,0
<hr/>			
L _{WA} (puissance acoustique) dB(A)		105,3	105,3
K _{WA} (incertitude de puissance acoustique) dB(A)		3,0	3,0

Valeurs du taux de vibrations (somme vectorielle de triaxialité) déterminées conformément à la norme EN 61029 :

Valeur d'émission de vibration a _h			
a _h =	m/s ²	3,3	3,3
Incertitude K =	m/s ²	1,5	1,5

Le taux d'émission de vibrations indiqué dans ce feuillet informatif a été mesuré conformément à une méthode d'essai normalisé établie par EN 61029, et peut être utilisé pour comparer un outil à un autre. Il peut également être utilisé pour effectuer une évaluation préliminaire de l'exposition.



AVERTISSEMENT : le taux d'émission de vibrations déclaré correspond aux applications principales de l'outil. Néanmoins, si l'outil est utilisé pour différentes applications ou est mal entretenu, ce taux d'émission de vibrations pourra varier. Ces éléments peuvent augmenter considérablement le niveau d'exposition sur la durée totale de travail.

Toute estimation du degré d'exposition à des vibrations doit également prendre en compte les heures où l'outil est mis hors tension ou lorsqu'il tourne sans effectuer aucune tâche. Ces éléments peuvent réduire sensiblement le degré d'exposition sur la durée totale de travail.

Identifier des mesures de sécurité supplémentaires pour protéger l'opérateur contre les effets nocifs des vibrations telles que : maintenance de l'outil et des accessoires, maintenir la température des mains élevée, organisation du travail.

Définitions : consignes de sécurité

Les définitions ci-après décrivent le degré de risques associé à chaque balise. Lire soigneusement la notice d'instructions et respecter ces symboles.



DANGER : indique une situation de danger imminent qui, si rien n'est fait pour l'éviter, aura comme conséquences la **mort ou des dommages corporels graves**.



AVERTISSEMENT : indique une situation de danger potentiel qui, si rien n'est fait pour l'éviter, **pourra** avoir comme conséquences la **mort ou des dommages corporels graves**.



ATTENTION : indique une situation de danger potentiel qui, si rien n'est fait pour l'éviter, **pourrait** avoir comme conséquences des **dommages corporels mineurs ou moindres**.

AVIS : indique une pratique ne **posant aucun risque de dommages corporels**, mais qui par contre, si rien n'est fait pour l'éviter, **pourrait** poser des **risques de dommages matériels**.



Indique des risques de décharges électriques.



Indique des risques d'incendie.



AVERTISSEMENT : pour réduire tout risque de dommages corporels, lire la notice d'instructions

Consignes de sécurité générales propres aux outils électriques



AVERTISSEMENT ! lire toutes les directives et consignes de sécurité.
Tout manquement aux directives et consignes ci-incluses comporte des risques de décharges électriques, d'incendie et/ou de dommages corporels graves.

CONSERVER TOUTES CES DIRECTIVES ET CONSIGNES À TITRE DE RÉFÉRENCE

Le terme « outil électrique » mentionné dans les avertissements ci-après se rapporte aux outils alimentés sur secteur (avec fil) ou par piles (sans fil).

1) SÉCURITÉ – AIRE DE TRAVAIL

- Maintenir l'aire de travail propre et bien éclairée.** Les lieux sombres ou encombrés sont propices aux accidents.
- Ne pas utiliser un outil électrique dans un milieu déflagrant, comme en présence de liquides, gaz ou poussières inflammables.** Les outils électriques peuvent produire des étincelles qui pourraient enflammer toute émanation ou poussière ambiante.
- Maintenir à l'écart les enfants, ou toute autre personne, lors de l'utilisation d'un outil électrique.** Toute distraction pourrait faire perdre la maîtrise de l'appareil.

2) SÉCURITÉ – ÉLECTRICITÉ

- La fiche électrique de l'outil doit correspondre à la prise murale. Ne modifier la fiche en aucune façon. Ne pas utiliser de fiche d'adaptation avec un outil électrique mis à la terre (masse).** L'utilisation de fiches d'origine et de prises appropriées réduira tout risque de décharges électriques.
- Éviter tout contact corporel avec des éléments mis à la terre comme : tuyaux, radiateurs, cuisinières ou réfrigérateurs.** Les risques de décharges électriques augmentent lorsque le corps est mis à la terre.
- Ne pas exposer les outils électriques à la pluie ou à l'humidité.** Tout contact d'un outil électrique avec un liquide augmente les risques de décharges électriques.
- Ne pas utiliser le cordon de façon abusive. Ne jamais utiliser le cordon pour transporter, tirer ou débrancher un outil électrique. Protéger le cordon de toute source de chaleur, de l'huile, et de tout bord tranchant ou pièce mobile.** Les cordons endommagés ou emmêlés augmentent les risques de décharges électriques.
- En cas d'utilisation d'un outil électrique à l'extérieur, utiliser systématiquement une rallonge conçue à cet effet.** Cela diminuera tout risque de décharges électriques.
- Si on ne peut éviter d'utiliser un outil électrique en milieu humide, utiliser un circuit protégé par un dispositif de courant résiduel (RCD).** Cela réduira tout risque de décharges électriques.

3) SÉCURITÉ INDIVIDUELLE

- Rester systématiquement vigilant et faire preuve de jugement lorsqu'on utilise un outil électrique. Ne pas utiliser d'outil électrique en cas de fatigue ou sous l'influence de drogues, d'alcool ou de médicaments.** Tout moment d'inattention pendant l'utilisation d'un outil électrique comporte des risques de dommages corporels graves.
- Porter un équipement de protection individuel. Porter systématiquement un dispositif de protection oculaire.** Le fait de porter un masque anti-poussières, des chaussures antidérapantes, un casque de sécurité ou un dispositif de protection auditive, lorsque la situation le requiert, réduira les risques de dommages corporels.

- c) **Prévenir tout démarrage accidentel.** S'assurer que l'interrupteur est en position d'arrêt avant de brancher l'outil sur le secteur et/ou à la batterie, ou de le ramasser ou le transporter. Transporter un outil le doigt sur l'interrupteur ou brancher un outil électrique alors que l'interrupteur est en position de marche invite les accidents.
- d) **Retirer toute clé de réglage avant de démarrer l'outil.** Une clé laissée sur une pièce rotative d'un outil électrique comporte des risques de dommages corporels.
- e) **Adopter une position stable. Maintenir les pieds bien ancrés au sol et conserver son équilibre en permanence.** Cela permettra de mieux maîtriser l'outil électrique en cas de situations imprévues.
- f) **Porter des vêtements appropriés. Ne porter aucun vêtement ample ou bijou. Maintenir cheveux, vêtements et gants à l'écart des pièces mobiles, car ils pourraient s'y faire prendre.**
- g) **Lorsqu'un dispositif de connexion à un système de dépoussiérage ou d'élimination est fourni, s'assurer qu'il est branché et utilisé correctement.** L'utilisation de ces dispositifs peut réduire les risques engendrés par les poussières.

4) UTILISATION ET ENTRETIEN DES OUTILS ÉLECTRIQUES

- a) **Ne pas forcer un outil électrique. Utiliser l'outil approprié au travail en cours.** L'outil approprié effectuera un meilleur travail, de façon plus sûre et à la vitesse pour laquelle il a été conçu.
- b) **Ne pas utiliser un outil électrique dont l'interrupteur est défectueux.** Tout appareil dont l'interrupteur est défectueux est dangereux et doit être réparé.
- c) **Débrancher la fiche du secteur et/ou la batterie de l'outil électrique avant d'effectuer tout réglage, de changer tout accessoire, ou avant de le ranger.** Ces mesures préventives réduiront tout risque de démarrage accidentel de l'appareil.
- d) **Après utilisation, ranger les outils électriques hors de portée des enfants et ne permettre à aucune personne non familière avec son fonctionnement (ou sa notice d'instructions) de l'utiliser.** Les outils peuvent être dangereux entre des mains inexpérimentées.
- e) **Entretenir les outils électriques. Vérifier les pièces mobiles pour s'assurer qu'elles sont bien alignées et tournent librement, qu'elles sont en bon état et ne sont affectées d'aucune condition susceptible**

de nuire au bon fonctionnement de l'outil. En cas de dommage, faire réparer l'outil électrique avant toute nouvelle utilisation. De nombreux accidents sont causés par des outils mal entretenus.

- f) **Maintenir tout organe de coupe propre et bien affûté.** Les outils de coupe bien entretenus et affûtés sont moins susceptibles de se coincer et sont plus faciles à contrôler.
- g) **Utiliser un outil électrique, ses accessoires, mèches, etc., conformément aux présentes directives et suivant la manière prévue pour ce type particulier d'outil électrique, en tenant compte des conditions de travail et de la tâche à effectuer.** L'utilisation d'un outil électrique à des fins autres que celles prévues est potentiellement dangereuse.

5) RÉPARATION

- a) **Faire entretenir les outils électriques par un réparateur qualifié en n'utilisant que des pièces de rechange identiques.** Cela permettra de préserver l'intégrité de l'outil électrique et la sécurité de l'utilisateur.

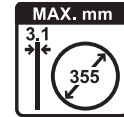
Directives de sécurité additionnelles pour les tronçonneuses à disque

- Portez toujours des gants de travail pour travailler avec l'outil.
- N'approchez pas vos mains du disque de coupe. Ne tronçonnez jamais des pièces qui requièrent une action manuelle à moins de 15 cm du disque de coupe.
- Ne coupez pas des pièces de moins de 1,2 mm d'épaisseur lorsque vous utilisez le disque de coupe fourni avec cet outil.
- N'utilisez pas l'outil sans les carters.
- N'effectuez aucune opération à la main. Utilisez l'étau pour assurer le blocage de la pièce.
- Ne touchez jamais l'arrière du disque de coupe.
- Placez toujours l'outil sur une surface plane, stable, bien fixée et libre de tout matériau, comme par exemple copeaux et chutes.
- Avant l'utilisation, vérifiez l'absence de fissures ou de défauts sur le disque de coupe. Excluez tout disque de coupe si une fissure ou un défaut sont évidents ou s'il est tout de même défectueux.
- Assurez-vous que le disque de coupe n'est pas en contact avec la pièce avant de mettre l'outil en marche.

FRANÇAIS

- Pendant le travail, traitez le disque de coupe avec soin et évitez les rebonds. Si ceci arrivait, arrêtez l'outil et vérifiez le disque de coupe.
- Ne vous placez pas dans l'alignement du disque lorsque vous utilisez le disque de coupe. Tenez toutes les autres personnes à distance de la zone de travail.
- Prenez garde aux copeaux et au matériau qui est coupé. Ils peuvent être coupants et chauds. Laissez refroidir les pièces coupées avant de les manipuler.
- Le déflecteur d'étincelles chauffe en cours d'utilisation. Évitez de toucher ou de régler le déflecteur d'étincelles immédiatement après l'utilisation.
- Éteignez l'outil et attendez que le disque de coupe s'arrête avant d'enlever la pièce ou de modifier les réglages.
- Après l'arrêt, n'essayez jamais de freiner le disque de coupe en exerçant une pression latérale.
- N'utilisez pas de liquides de tronçonnage. Ces liquides peuvent s'enflammer ou provoquer des électrocutions.
- Vérifiez que la pièce de travail est correctement soutenue.
- Utilisez uniquement les disques de coupe recommandés par le fabricant.
- La vitesse maximale permise du disque de coupe doit toujours être égale ou supérieure à celle à vide imprimée sur la plaque d'identification de l'outil.
- Ne pas utiliser les lames de scie circulaire ou les autres lames dentées avec cet outil. Risque de blessures graves.
- N'utilisez pas des disques de coupe ne respectant pas les dimensions indiquées dans les données techniques.
- S'assurer que le disque de coupe abrasif est correctement monté et serré avant l'utilisation.
- Lire les instructions d'utilisation fournies par le fabricant du disque.
- Laissez l'outil tourner à vide dans une position sûre pendant au moins 30 secondes. Si vous observez une vibration importante ou autre, arrêtez l'outil et examinez-le pour déterminer la cause.
- N'utilisez pas de disques de coupe pour le meulage latéral.
- Ne tronçonnez ni ciment, ni briques, ni tuiles ni matériaux en céramique.
- Ne coupez pas de bois, de plastique ou de matériaux synthétiques.
- Ne tronçonnez pas des matériaux en fonte.

- Ne tronçonnez jamais de matériaux en magnésium.
- Ne tronçonnez pas de matériau porteur d'une charge électrique.
- Cet outil doit être utilisé dans une zone bien aérée. N'utilisez pas l'outil à proximité de liquides inflammables, de gaz ou de poussières. Les étincelles, les copeaux chauds provenant du tronçonnage ou l'arc des charbons du moteur pourraient enflammer les matériaux combustibles.
- Nettoyez régulièrement les fentes de ventilation si vous travaillez dans un environnement poussiéreux. S'il devenait nécessaire de nettoyer les fentes, n'oubliez pas de débrancher d'abord l'outil.
- Les disques de coupe doivent toujours être rangés bien protégés, dans un endroit sec et hors de portée des enfants.
- Signaler toute panne de la machine, y compris des carters de protection ou des disques de coupe, dès leur constatation.
- N'utilisez qu'un disque abrasif pour scie circulaire d'une épaisseur maximum de 3,1 mm et d'un diamètre maximum de 355 mm.



AVERTISSEMENT : l'utilisation de cet outil peut produire de la poussière contenant des substances chimiques susceptibles de provoquer un cancer, des malformations ou autres maladies du fœtus. Portez un protecteur respiratoire adéquat.

- Toujours fixer l'ouvrage correctement avant l'opération de coupe. Les pièces supérieure à 1,0 m de long doivent être soutenues par une table additionnelle adaptée, un croisillon ou une table à rouleaux.
- Tenir compte du fait que le disque continue à tourner après l'arrêt de la machine.
- Pour éviter toute perte de contrôle, toujours fixer la machine à un établi en utilisant les vis de serrage ou des boulons de longueur et de résistance suffisante.

Les facteurs suivants influent grandement sur la pollution sonore :

- le matériau à couper
- le type de disque de coupe
- la force d'avance



AVERTISSEMENT : prendre les mesures nécessaires pour la protection de l'ouïe.

Risques résiduels

- Les risques suivants sont inhérents à l'utilisation de ces outils :
 - blessures si vous touchez les pièces rotatives ;
 - blessures si la lame se détache.
- Ces risques sont plus évidents :
 - dans le champ même de l'utilisation ;
 - à portée immédiate des pièces rotatives de l'outil.
- Malgré l'application des réglementations de sécurité en vigueur et la mise en œuvre de dispositifs de sécurité, certains risques résiduels sont inévitables. Il s'agit de :
 - déficience auditive ;
 - risque d'accidents causés par les pièces non recouvertes de la lame rotative ;
 - risque de blessure lors du remplacement de la lame ;
 - risque de pincement des doigts lors de l'ouverture du carter de protection.

Étiquettes sur l'appareil

On trouve les diagrammes suivants sur l'outil :



Lire la notice d'instructions avant toute utilisation.



Porter un dispositif de protection auditive.



Porter un dispositif de protection oculaire.



Diamètre d'alésage.

EMPLACEMENT DE LA DATE CODÉE DE FABRICATION (FIG. 1)

La date codée de fabrication (v), qui comprend aussi l'année de fabrication, est imprimée sur le boîtier.

Exemple :

2011 XX XX
Année de fabrication

Contenu de l'emballage

Ce carton comprend :

- 1 Tronçonneuse
- 1 Disque de coupe

1 Clé hexagonale

1 Notice d'instructions

- Vérifier que l'appareil et ses pièces ou accessoires n'ont pas été endommagés lors du transport.
- Prendre le temps de lire attentivement et comprendre cette notice d'instructions avant toute utilisation de l'appareil.

Description (fig. 1)



AVERTISSEMENT : ne modifiez jamais l'outil électrique ou une de ses pièces sous peine de provoquer des dégâts matériels ou des blessures corporelles.

- a. Interrupteur marche/arrêt
- b. Trou de cadenas
- c. Poignée d'utilisation
- d. Bouton de verrouillage
- e. Poignée de transport
- f. Butée de profondeur
- g. Écrou de blocage
- h. Base
- i. Guide
- j. Étau
- k. Table de coupe
- l. Clé hexagonale de 8 mm
- m. Manivelle
- n. Levier de serrage du matériau
- o. Disque de coupe
- p. Carter de protection
- q. Blocage de l'arbre
- r. Crochet de verrouillage
- s. Déflecteur d'étincelles
- t. Vis du déflecteur d'étincelles
- u. Chaîne de verrouillage
- v. Code de date

UTILISATION PRÉVUE

La scie fendeuse D28710 est conçue pour la découpe de pièces en acier de différentes formes.

NE PAS les utiliser en milieu humide ou en présence de gaz ou de liquides inflammables.

La scie fendeuse D28710 est un outil électrique professionnel.

NE PAS les laisser à la portée des enfants. Une supervision est nécessaire auprès de tout utilisateur non expérimenté.

Sécurité électrique

Le moteur électrique a été conçu pour une seule tension. Vérifier si la tension secteur correspond à la tension indiquée sur la plaque d'identification.



Votre outil DEWALT à double isolation est conforme à la norme EN 61029 ; un branchement à la terre n'est donc pas nécessaire.

Si le cordon fourni est endommagé, le remplacer par un cordon spécialement conçu à cet effet, et disponible auprès du service après-vente DEWALT.

- (CH)** Toujours utiliser la fiche prescrite lors du remplacement du câble d'alimentation.
- Type 11 pour la classe II (Isolation double) – outils
- Type 12 pour la classe I (Conducteur de terre) – outils
- (CH)** En cas d'utilisation à l'extérieur, connecter les outils portatifs à un disjoncteur FI.

Utilisation d'une rallonge

Si une rallonge s'avère nécessaire, utiliser une rallonge à trois fils homologuée et compatible avec la tension nominale de cet outil (se reporter à la section **Caractéristiques techniques**). La section minimale du conducteur est de 1,5 mm² pour une longueur maximale de 30 m.

En cas d'utilisation d'un dévidoir, dérouler systématiquement le câble sur toute sa longueur.

Branchement au secteur

L'alimentation secteur pour cette machine doit comporter un fusible coupe-circuit de 16 A avec retardateur.

Chutes de tension

Les appels de courants provoquent de courtes chutes de tension. Dans des conditions d'alimentation électrique peu favorables, d'autres équipements peuvent être affectés.

Si l'impédance du système d'alimentation électrique est inférieure à 0,11 Ω, il est peu probable que des perturbations se produisent.

MONTAGE ET RÉGLAGES



AVERTISSEMENT : pour réduire tout risque de dommages corporels, arrêter l'outil et

débrancher l'appareil du secteur avant d'installer ou de retirer tout accessoire, avant tout réglage ou changement de configuration ou lors de réparations. S'assurer que la gâchette est bien en position d'ARRÊT. Tout démarrage accidentel pourrait causer des dommages corporels.

Retrait et montage du disque de coupe (fig. 1, 2)

1. Avec le bras en position repos, utilisez la lèvre (w) pour faire glisser le carter (p) vers l'arrière. Laissez le carter en retrait (fig. 2).
2. Enfoncez le blocage de l'arbre sans le relâcher (q) (fig. 1).
3. Faites tourner le disque de coupe (o) jusqu'à ce qu'il se bloque.
4. Utiliser la clé hexagonale (l) pour retirer le boulon (x) en tournant dans le sens inverse des aiguilles d'une montre, puis enlever la rondelle plate (y) et la bride de retenue (z) (fig. 2).
5. Vérifiez que l'entretoise (aa) est en place contre la bride (bb).
6. Remplacez le disque de coupe (o). Assurez-vous que le nouveau disque est placé sur l'entretoise (aa) dans le sens de rotation correct.
7. Bloquez le disque avec la bride de retenue (z), la rondelle plate (y) et le boulon (x).
8. Ramenez le carter à sa place et relâchez le blocage de l'arbre (q).
9. Réglez la profondeur de coupe selon les besoins.

RÉGLAGE DE LA PROFONDEUR DE COUPE (FIG. 1)

La profondeur de coupe est réglable afin de s'ajuster à l'usure du disque de coupe.

- Réalisez un essai à vide avec l'outil hors service et vérifiez l'espacement.
- Si un réglage s'impose, procéder comme suit:
 - Desserrez l'écrou de blocage (g) de quelques tours.
 - Tournez le boulon de butée de profondeur (f) dans un sens ou dans l'autre pour obtenir la profondeur voulue.
 - Serrez l'écrou de blocage (g).



AVERTISSEMENT : réglez toujours la butée de profondeur en position originale lors du remplacement du disque de coupe.

Fixation de la pièce dans l'étau (fig. 1, 3)

Cet outil est équipé d'une bride de blocage du matériau (i) (fig. 1).

1. Tirez le levier (n) en direction de la manivelle (m) (fig. 3A).
2. Poussez l'arbre de calage (cc) vers l'avant jusqu'à ce que la mâchoire (dd) soit presque en contact avec la pièce à tronçonner.
3. Poussez le levier (n) vers la mâchoire (dd) jusqu'à ce qu'il s'engage dans l'arbre de calage (cc).
4. Tournez la manivelle (m) dans le sens horaire et serrez la pièce.
5. Pour libérer la pièce, tournez la manivelle (m) dans le sens inverse.



AVERTISSEMENT :

- Pour augmenter la capacité de coupe, placez une cale (ee) sous la pièce à ouvrir (ff). La cale d'espacement doit être légèrement plus étroite que la pièce à ouvrir (fig. 3B).
- Soutenez les pièces longues à l'aide d'un morceau de bois (gg) (fig. 3C). Ne bloquez pas l'extrémité découpée (hh).

DISPOSITIF DE DÉPLACEMENT RAPIDE (FIG. 3A)

L'étau est équipé d'un dispositif de déplacement rapide.

Pour relâcher l'étau, donnez un tour ou deux de manivelle (m) dans le sens inverse des aiguilles d'une montre et tirez le levier (n) en direction de la manivelle (m).

RÉGLAGE DE LA POSITION DE L'ÉTAU (FIG. 3D)

La position de l'étau peut être adaptée au disque de coupe.

1. Retirer les boulons du guide (ii) en utilisant la clé hexagonale (l).
2. Déplacez le guide (i) selon les besoins.
3. Replacez les boulons du guide (ii) et serrez-les pour bloquer le guide (i).

Réglage de l'angle de coupe (fig. 4)

Cet outil peut réaliser des tronçonnages d'onglet jusqu'à 45°.

1. Desserrez les boulons du guide (ii) pour le libérer (i).
2. Positionnez le guide (i) sur l'angle désiré. L'angle est lisible sur l'échelle graduée (jj).

3. Serrez les boulons du guide (ii) pour le bloquer (i).

Vérification et réglage de la graduation d'onglets (fig. 1, 4)

1. Desserrez les boulons du guide (ii) pour le libérer (i) (fig. 4).
2. Abaissez le bras et le bloquer dans sa position avec la chaîne de verrouillage (u) (fig. 1).
3. Placez une équerre (kk) contre le guide (i) et le côté gauche du disque de coupe pour former un angle exact de 90° (fig. 4). Vérifiez l'alignement de la marque de 0° sur la graduation (jj) avec le repère sur la table (ll).
4. Serrez les boulons du guide (ii) pour le bloquer (i).
5. Libérer la chaîne de verrouillage (u) et remettre le bras dans sa position de repos supérieure (fig. 1).

Réglage du déflecteur d'étincelles (fig. 1)

1. Desserrez la vis (t).
2. Ajustez le déflecteur d'étincelles (s) selon les besoins.
3. Serrez la vis (t).

Montage (fig. 6, 7)



ATTENTION : L'outil doit être placé sur une surface stable, à niveau, non glissante pour empêcher tout mouvement intempestif lors de son utilisation.

MARCHE À SUIVRE POUR UN MONTAGE PERMANENT

1. Percez deux trous de 8 mm (5/16») à travers la surface de travail (fig. 6).
2. Insérez des vis de type 1/4-20 dans les orifices de la base et de la surface de montage. La longueur approximative des vis doit correspondre à l'épaisseur de la surface de montage, plus 102 mm (4«).
3. Serrez solidement les deux vis.

MONTAGE EN BERCEAU

1. Coupez deux planches d'environ 508 mm de longueur X 50,8 mm de hauteur X 101,6 mm de largeur (20» X 2» X 4«).
2. Mettez la scie fendeuse à l'emplacement voulu.
3. Placez les planches contre les côtés et clouez à la surface de travail (fig. 7).

Avant la mise en marche

- Installez le disque de coupe approprié. N'utilisez pas de disques trop usés. La vitesse de rotation maximum de l'outil ne doit pas dépasser celle du disque de coupe.
- Assurez-vous que le disque tourne dans le sens indiqué par les flèches de l'accessoire et de l'outil.
- Fixez la pièce.
- Le déflecteur d'étincelles doit toujours être correctement ajusté.

FONCTIONNEMENT

Consignes d'utilisation



AVERTISSEMENT :

- *Toujours respecter les consignes de sécurité et les règles en vigueur.*
- *Appliquez une force modérée sur l'outil.*
- *Évitez toute surcharge. Si l'outil chauffe, laissez-le tourner quelques minutes sans charge.*



AVERTISSEMENT : pour réduire tout risque de dommages corporels graves, arrêter et débrancher l'outil avant tout réglage ou avant de retirer ou installer toute pièce ou tout accessoire.

Position correcte des mains (fig. 5)



AVERTISSEMENT : pour réduire tout risque de dommages corporels graves, adopter **SYSTÉMATIQUEMENT** la position des mains illustrée.



AVERTISSEMENT : pour réduire tout risque de dommages corporels graves, maintenir fermement et **SYSTÉMATIQUEMENT** l'outil pour anticiper toute réaction soudaine de sa part.

La position correcte des mains nécessite une main sur la poignée d'actionnement (c) avec l'autre main guidant l'ouvrage.

Tronçonnage d'une pièce (fig. 1)

1. Placez le matériau contre le guide (i) et fixez-le avec l'étau (j).
2. Tourner l'outil et abaisser la poignée d'actionnement (c) pour couper l'ouvrage. Laissez le moteur atteindre le plein régime avant la coupe.

3. Laissez le disque travailler librement. Ne forcez pas.
4. Une fois la coupe terminée, éteignez l'outil et ramenez le bras en position supérieure de repos.

Mise en marche et arrêt (fig. 1)

L'interrupteur marche/arrêt (a) est logé dans la poignée de commande (c).

Pour mettre l'outil en marche, appuyer sur l'interrupteur marche/arrêt (a).

Maintenez l'interrupteur marche/arrêt en position enfoncée pour travailler.

Pour arrêter l'outil, relâcher l'interrupteur.

L'outil peut être bloqué pour l'utilisation continue en appuyant sur l'interrupteur marche/arrêt (a), puis en appuyant sur le bouton de verrouillage (d). Tenir le bouton de verrouillage (d) tout en relâchant lentement l'interrupteur marche/arrêt (a).

Pour arrêter l'outil à partir de la position verrouillée, appuyer sur l'interrupteur marche/arrêt (a) pour que le bouton de verrouillage (d) soit libéré.

Ne pas débrancher l'outil lorsque l'interrupteur est en position bloquée en marche. S'assurer que l'outil n'est pas bloqué lors du branchement.



AVERTISSEMENT : ne mettez pas en marche et n'éteignez pas l'outil lorsqu'il est en charge.



AVERTISSEMENT : ne coupez pas de magnésium.

Transport (fig. 1)

L'outil est équipé d'une chaîne de verrouillage (u) qui bloque l'outil en position basse fermée pour le transport.

1. Abaisser le carter de protection (p) sur l'établi de coupe (k) et fixer l'outil dans cette position en accrochant la chaîne (u) sur le crochet de verrouillage (r).
2. Transportez l'outil par la poignée de transport (e).

Pour libérer l'outil, appuyer légèrement sur la poignée d'actionnement (c) et libérer la chaîne.

MAINTENANCE

Votre outil électrique DEWALT a été conçu pour fonctionner longtemps avec un minimum de maintenance. Le fonctionnement continu et satisfaisant de l'outil dépendra d'une maintenance adéquate et d'un nettoyage régulier.



AVERTISSEMENT : pour réduire tout risque de dommages corporels, arrêter l'outil et débrancher l'appareil du secteur avant d'installer ou de retirer tout accessoire, avant tout réglage ou changement de configuration ou lors de réparations. S'assurer que la gâchette est bien en position d'ARRÊT. Tout démarrage accidentel pourrait causer des dommages corporels.



Lubrification

Votre outil électrique ne requiert aucune lubrification additionnelle.



Entretien



AVERTISSEMENT : éliminer poussière et saleté du boîtier principal à l'aide d'air comprimé chaque fois que les orifices d'aération semblent s'encrasser. Porter systématiquement des lunettes de protection et un masque anti-poussières homologués au cours de cette procédure.



AVERTISSEMENT : ne jamais utiliser de solvants ou tout autre produit chimique décapant pour nettoyer les parties non métalliques de l'outil. Ces produits chimiques pourraient en attaquer les matériaux utilisés. Utiliser un chiffon humidifié avec de l'eau et un savon doux. Protéger l'outil de tout liquide et n'immerger aucune de ses pièces dans aucun liquide.

Accessoires en option



AVERTISSEMENT : comme les accessoires autres que ceux offerts par DEWALT n'ont pas été testés avec ce produit, leur utilisation avec cet appareil pourrait être dangereuse. Pour réduire tout risque de dommages corporels, seuls des accessoires DEWALT recommandés doivent être utilisés avec cet appareil.

Veuillez consulter votre revendeur pour plus d'informations sur les accessoires appropriés.

Protection de l'environnement



Collecte sélective. Ne pas jeter ce produit avec les ordures ménagères.



En fin de durée de vie ou d'utilité de votre produit DEWALT, ne pas le jeter avec les ordures ménagères, mais dans les conteneurs de collecte sélective.



La collecte sélective des produits et emballages usagés permet de recycler et réutiliser leurs matériaux. La réutilisation de matériaux recyclés aide à protéger l'environnement contre la pollution et à réduire la demande en matière première.

Selon les réglementations locales, il peut être offert : service de collecte sélective individuel des produits électriques, ou déchetterie municipale ou collecte sur les lieux d'achat des produits neufs.

DEWALT dispose d'installations pour la collecte et le recyclage des produits DEWALT en fin de vie. Pour profiter de ce service, veuillez rapporter votre produit auprès d'un centre de réparation agréé qui le recyclera en notre nom.

Pour connaître l'adresse d'un centre de réparation agréé près de chez vous, veuillez contacter votre distributeur DEWALT local à l'adresse indiquée dans cette notice d'instructions, ou consulter la liste des centres de réparation agréés DEWALT, l'éventail de notre SAV et tout renseignement complémentaire sur Internet à l'adresse : www.2helpU.com.

منشار التقطيع D28710

تهانينا!

لقد قمنا باختبار أداة DEWALT، لقد جعلت سنوات الخبرة والتي مرت بها مراحل تطوير وابتكار المنتج من DEWALT واحدة من أفضل الشركاء التي يمكن لمستخدمي العدد والأدوات الكهربائية الاعتماد عليها.

البيانات التقنية

D28710-B5		D28710-B4	
240-220	127	V	الجهد الكهربائي
1	1		النوع
2200	2200	W	الطاقة
3800	3800	دقيقة ¹	سرعة غير محملة
			دقيقة، سرعة الأجهزة الطرفية
80	80	m/s	قرص القطع
355	355	ملليمتر	قطر القرص
25.4	25.4	ملليمتر	قطر القرص الداخلي
3.1	3.1	ملليمتر	سماعة جسم القرص
مستقيم، غير مثبت	مستقيم، غير مثبت		نوع قرص القطع

إمكانية/ قدرة القطع العرضي عند درجة 90 مئوية

130	ملليمتر	دائري
120 × 120	ملليمتر	مربع
115 × 130	ملليمتر	مستطيل
137 × 137	ملليمتر	زاوي

إمكانية/ قدرة القطع العرضي عند درجة 45 مئوية

115	ملليمتر	دائري
107 × 120	ملليمتر	مربع
115 × 107	ملليمتر	مستطيل
115 × 115	ملليمتر	زاوي
16.6	كجم	الوزن

92.3	92.3	ديسيل (A)	L _{PA} (ضغط صوت)
			K _{PA} (ضغط صوت)
3.0	3.0	ديسيل (A)	غير مؤكد
105.3	105.3	ديسيل (A)	L _{WA} (شدة الصوت)
			K _{PA} (ضغط صوت)
3.0	3.0	ديسيل (A)	غير مؤكد

تم تحديد القيم الإجمالية للاهتزازات (مجموعة ناقلات تريكس) وفقاً للمعايرة الأوروبية رقم 61029:

قيمة انبعاث الاهتزازات a _h		= a _h	
3.3	3.3	m/s ²	
1.5	1.5	m/s ²	بلا تأكيد K

لقد تم قياس مستوى انبعاثات الاهتزازات المذكور في هذه الوثيقة بما يتوافق مع الاختبار والتقييم المثالي الذي ورد في المعايير الأوروبية رقم EN 61029 وربما يكون من الممكن استخدامها لمقارنة ومضاهاة أحد الأدوات بأداة أخرى وربما من الممكن أيضاً استخدامها للتقييم الميداني للتعرض.

تحذير: يمثل مستوى انبعاث الاهتزازات الواضحة الناتج عن التطبيقات الأساسية للأداة. ومع ذلك ففي حالة ما إذا تم استخدام الأداة لتطبيقات مختلفة، سواء مع الملحقات المختلفة أو لم تحظى بالصيانة المناسبة، فإن مستوى انبعاث الاهتزازات ربما يختلف. وقد يؤدي هذا إلى الزيادة الواضحة في مستوى التعرض عبر فترة عمل المعدة الإجمالية.

كما يتعين أثناء تقييم مستوى التعرض للاهتزازات أن يتم وضع الفترات الزمنية التي يتم فيها إيقاف المعدة عن العمل في الاعتبار بالإضافة إلى الفترات الزمنية التي يتم فيها تشغيلها، وليس مجرد الفترة الزمنية التي يتم فيها تنفيذ المهمة المحددة. وقد يؤدي هذا إلى الزيادة الواضحة في مستوى التعرض عبر فترة عمل المعدة الإجمالية. لذا فقم بتحديد معايير أمان إضافية لحماية المشغل من آثار وتأثيرات الاهتزازات مثل: صيانة المعدة وملحقاتها، وإبقاء الأيدي دافئة وتنظيم أدوات العمل.

مفاهيم: إرشادات الأمان

تقوم التعريفات والمفاهيم التالية بوصف مستويات حدة كل كلمة من الكلمات الدالة. لذا رجاء قم بقراءة الدليل جيداً وركز تركيزاً أكبر على هذه الرموز.

خطر: تشير هذه الكلمة إلى موقف خطير وشيك الحدوث والذي إن لم يتم تجنبه سوف يؤدي إلى حدوث الوفاة أو إصابة خطيرة

تحذير: تشير هذه الكلمة إلى موقف خطير وشيك الحدوث والذي إن لم يتم تجنبه قد يؤدي إلى حدوث الوفاة أو إصابة خطيرة

تنبيه: تشير هذه الكلمة إلى موقف خطير وشيك الحدوث والذي إن لم يتم تجنبه ربما يؤدي إلى حدوث إصابة بسيطة أو متوسطة

ملاحظة: يشير هذا اللفظ إلى ممارسة أو فعل لا يرتقي إلى درجة الإيذاء أو الجرح الشخصي والذي إن لم يتم تجنبه ربما يؤدي إلى إحداث تلف في المعدة

ويرمز هذا الرمز إلى خطورة الإصابة بالصدمات الكهربائية

يرمز هذا الرمز إلى مخاطر اندلاع حريق.

تحذير: ولكي تقوم بتقليل مخاطر التعرض للإصابات، قم بقراءة دليل التعليمات جيداً.

التحذيرات العامة الخاصة بأمان أدوات الطاقة



تحذير! يرجى قراءة كافة تحذيرات الأمان وكافة التعليمات. حيث أن الفشل في اتباع التحذيرات والتعليمات قد يؤدي إلى الإصابة بالصدمات الكهربائية أو اندلاع الحرائق أو الإصابات الخطيرة.

أحفظ كافة التحذيرات والتعليمات للرجوع إليها في المستقبل

يشير مصطلح "أداة الطاقة" المذكور في التحذيرات إلى أدوات الطاقة التي يتم تشغيلها بواسطة إنسان وأيضاً تلك التي يتم تشغيلها باستخدام بطاريات.

1) أمان منطقة العمل

- حافظ على بيئة العمل نظيفة ومضاءة بصورة جيدة. حيث أن المناطق المكسدة بالنفائات أو تكون مرتعاً لحدوث الحوادث.
- لا تقم مطلقاً بتشغيل أدوات ومعدات الطاقة في بيئات ذات طابع انفجاري مثل أن تقم بتشغيلها في ظل وجود سوائل مشتعلة، أو غازات أو أتربة. تقوم معدات وأدوات الطاقة بإحداث شرراً ربما يشتعل في وجود الأتربة أو الأبخرة.
- حافظ على الأطفال والجالسين بجوارك بعيداً عند تشغيل أدوات الطاقة. كما أن الملهيات قد تتسبب في فقدانك لتحكمك في الأداة.

2) الأمان الكهربائي

- لا بد من أن يكون هناك توافقاً بين المقاييس الكهربائي وفتحات الطاقة. ولا تقم أبداً بمحاولة تعديل المقاييس بأي طريقة. ولا تقم مطلقاً باستخدام أي مقاييس كهربائية غير موزعة مع المعدات الكهربائية الموزعة الأرضية. حيث أن المقاييس غير المعدلة والفتحات المناسبة لها سوف تؤدي إلى تقليل مخاطر حدوث الصدمات الكهربائية.
- تجنب التلامس الجسدي مع أي أسطح أرضية مثل المواسير وشبكات التدفئة المركزية، والمبردات والتلجئات والمواقف. فهناك مخاطر متزايدة لحدوث الصدمات الكهربائية إن كان جسدهم ملامساً للأرض.
- لا تسمح بتعرض أدوات الطاقة لمياه الأمطار أو ظروف الرطوبة. حيث أن تسرب المياه إلى أدوات الطاقة من الممكن أن يزيد من مخاطر حدوث الصدمات الكهربائية.
- لا تقم بإساءة استخدام الأريطة. لا تقم أبداً باستخدام الأسلاك أو الوصلات في السحب أو الحمل أو عدم فك أدوات الطاقة من مقابسها. قم بحفظ الأسلاك أو الأريطة بعيداً عن الحرارة والزيوت، أو الحواف الحادة أو الأجزاء المتحركة. حيث أن الأسلاك أو الوصلات التالفة أو المتشابكة تزيد من مخاطر حدوث الصدمات الكهربائية.
- عندما تقوم بتشغيل أدوات الطاقة في الخارج، قم باستخدام سلك توصيل آخر مناسب للاستخدام الخارجي. حيث أن استخدام السلك المناسب للاستخدام الخارجي يقلل من مخاطر حدوث الصدمات الكهربائية.
- وفي حالة ما إذا لم تكن هناك فرصة لتجنب تشغيل المعدات في المواقع الرطبة، قم باستخدام جهازاً موصلاً فعلياً للحماية حيث أن استخدام هذا الجهاز يؤدي إلى تقليل مخاطر حدوث الصدمات الكهربائية.

3) الأمان الشخصي

- كن حذراً وقم بالانتباه إلى ما تقوم به واعتمد على حاستك الشخصية عند تشغيل أدوات الطاقة. ولا تقم باستخدام أدوات الطاقة عندما تشعر بالتعب أو تحت تأثير المخدر أو الكحوليات أو الأدوية. فلا شك أن لحظة من عدم التركيز أثناء تشغيل المعدة قد تؤدي إلى جروح شخصية خطيرة.
- قم باستخدام معدات الحماية. وقم دائماً باستخدام واقي للعينين. حيث أن استخدام المعدات الواقية مثل القناع الواقي من الأتربة،

والحذاء الواقي الذي ليس به أربطة، والقبعات الصلبة، أو حماية الأذن مراعاة للظروف المناسبة سوف يؤدي إلى تقليل مخاطر حدوث الإيذاء الشخصي.

- امنع البدايات غير المقصودة. تأكد من أن مفتاح التشغيل في وضع الإغلاق قبل أن تقوم بالتوصيل بمصدر الطاقة أو بمخرج البطارية، أو عند التقاط أو حمل المعدة. حيث أن حمل معدات الطاقة ووضع أصابعك على المفتاح أو توصيل معدات الطاقة بمصدر الطاقة بينما الزر في وضع التشغيل يؤدي إلى حدوث الحوادث.
- قم بإزالة أي مفتاح قبل للتعديل أو مفتاح الربط قبل أن تقم بتشغيل معدات الطاقة. حيث أن مفتاح الربط أو المفتاح العادي المتصل بالجزء المتحرك من أدوات الطاقة ربما يؤدي إلى حدوث الإيذاء الشخصي.
- لا تتجاوز. حافظ دائماً على ارتداء الحذاء المناسب والتوازن طوال الوقت. حيث أن هذا سيسمح بالتحكم الجيد في معدات الطاقة في المواقف غير المتوقعة.
- ارتدي الملابس المناسبة. لا تقم بارتداء ملابس أو قطع مجوهرات غير مربوطة ومحكومة. حافظ على شعرك، وملابسك وجواربك بعيداً عن الأجزاء المتحركة من الماكينة. حيث أن الملابس غير المحكومة أو المجوهرات أو الشعر الطويل قد يمسك في الأجزاء المتحركة.
- في حالة ما إذا كانت الأدوات المتوافرة لتحقيق الاتصال بمزيلات الغبار والأتربة أو أدوات تجميع الأتربة، قم بالتأكد من اتصالها واستخدامها بصورة جيدة. حيث أن استخدام أدوات جمع الأتربة من الممكن أن يؤدي إلى تقليل المخاطر الناجمة عن الأتربة والغبار.
- 4) استخدام أدوات الطاقة والعناية بها
 - لا تقم بالضغط على أدوات ومعدات الطاقة. قم باستخدام أدوات الطاقة المناسبة للتطبيق الذي تود تنفيذه. حيث أنه باستخدام معدات الطاقة غير المناسبة سوف يمكنك القيام بتنفيذ المهام بأمان وبصورة أفضل في الغرض الذي صممت لأجله.
 - لا تستخدم أداة الطاقة إن كان المفتاح لا يعمل في وضعي التشغيل والإيقاف. حيث أن أي أداة طاقة والتي لا يمكن التحكم بها بالمفتاح يعتبر أمراً خطيراً ويجب أن تم إعادة إصلاحها.
 - قم بإزالة المقبس من مصدر الطاقة أو البطارية قبل أن تقوم بتنفيذ أي تعديلات، أو تغيير الملحقات، أو تخزين معدات الطاقة. فلا شك أن معايير الأمان الوقائي هذه قد تؤدي إلى تقليل المخاطر المرتبطة ببداية معدات الطاقة بصورة مفاجئة على سبيل الحادثة.
 - قم بتخزين معدات الطاقة التي لا تعمل بعيداً عن متناول الأطفال ولا تسمح لأي فرد غير معتمد على معدات الطاقة أو غير معتمد على إتباع هذه التعليمات الخاصة بتشغيل معدات الطاقة. حيث أن معدات الطاقة تعتبر أمراً خطيراً في أيدي المستخدمين غير المتدربين.
 - قم بصيانة معدات الطاقة. قم بفحص الأجزاء غير المربوطة أو غير المحكومة، وفحص الأجزاء المنكسرة أو أي حالة ربما تؤثر على عملية تشغيل معدات الطاقة. فإن كانت المعدات تالفة لا بد من إصلاح المعدات قبل الاستخدام. فلا شك أن العديد من الحوادث قد تحدث نتيجة لمعدات الطاقة التي لم تتم صيانتها بصورة جيدة.
 - حافظ على أدوات القطع حادة ونظيفة. حيث أن أدوات القطع التي تمت صيانتها بصورة جيدة أو التي كانت حوافها القاطعة حادة تكون أقل قابلية لحدوث مشكلات وأسهل في التحكم.
 - قم باستخدام معدات الطاقة وملحقاتها وقطع المعدات إلخ فيما يتوافق مع هذه التعليمات مع الأخذ في الاعتبار ظروف العمل والعمل أو المهمة التي سيتم إنجازها. حيث أن استخدام معدات

اجعل المعدة تدور على سرعة عادية في وضع آمن لمدة 30 ثانية على الأقل. وفي حالة ما إذا كان هناك اهتزازات كثيرة أو في حالة حدوث أي نوع من أنواع القصور قم بإيقاف المعدة وافحص المعدة لتحديد السبب.

لا تستخدم أقرص القطع للنشر والتجليخ الجانبي.

لا تقم أبداً بقطع الخرسانة، والطوب ولا شرائح السيراميك أو البلاط.

لا تقم بقطع الخشب، أو البلاستيك أو المواد الصناعية.

لا تقم بقطع مواد الحديد المصبوب.

لا تقم بقطع مواد الماغنسيوم.

لا تقم بقطع المواد التي تحتوي على تيار كهربائي حي.

استخدم هذه المعدة في منطقة جيدة التهوية. لا تقم بتشغيل المعدة بالقرب من السوائل القابلة للاشتعال أو الغازات أو الأتربة. ربما تؤدي الشرارات أو القطع الساخنة الناتجة عن القطع أو الموتور المتحرك إلى اشتعال المواد القابلة للاحتراق والاشتعال.

قم بتنظيف فتحات التهوية بانتظام عند العمل في الظروف المتغيرة. وإن كان الأمر ضرورياً لتنظيف الفتحات؛ تذكر أن تنزع المعدة من المقبس الكهربائي أولاً.

قم دائماً بتخزين أقرص القطع في وضع محمي جيداً وفي مكان جاف وبعيداً عن متناول الأطفال.

ويجب أن يتم التليغ عن أن قصور في

الماكينة والتي تضم الواقيات أو أقرص

القطع وذلك فور اكتشافها.

قم فقط باستخدام قرص القطع والذي يصل

سمكه إلى 3.1 ملم وقطره إلى 355 ملم.

تحذير: من الممكن أن يؤدي استخدام هذه العدة إلى إنتاج

التراب الذي يحتوي على المواد الكيميائية والمعروف

عنها أنها تسبب السرطان، والتشوهات الخلقية في

الجنين، أو أضرار جينية أخرى. قم باستخدام حماية

ووقاء جيد ومناسب للجهاز التنفسي.

قم دائماً بتأمين قطع العمل بصورة جيدة قبل عملية القطع.

فمن الممكن أن يتم تدعيم قطع العمل الأطول من 1.0 مللي

بإستخدام طاولة إضافية مناسبة، مثبتة أو طاولة مستديرة.

وضع في اعتبارك أن الاسطوانة الدائرية تستمر في الدوران

بعد توقف الماكينة عن العمل.

ولكي تتمكن من منع حدوث فقدان التحكم والسيطرة قم دائماً

بتثبيت الماكينة على طاولة باستخدام مثبتات مسامير أو مزاليق

بأطوال وقوات كافية.

وتعتبر العوامل التالية ذات تأثير قوي على إنتاج الضوضاء:

– المواد التي سيتم تقطيعها.

– نوع قرص القطع.

– قوة التغذية.

تحذير: قم باستخدام المعايير المناسبة لحماية السمع.

مخاطر الفضلات

• فالمخاطر التالية تعتبر متصلة ومرتبطة باستخدام هذه الماكينات:

– الإصابات التي تتسبب من جراء لمس الأجزاء المستديرة.

– الأضرار المسببة بتمزيق وكسر قرص القطع.

• حيث أن هذه المخاطر هي الأكثر حدوثاً:

– أثناء نطق العمل.

– داخل نطاق أجزاء الماكينة المتحركة.

الطاقة للعمليات والمهام التي تختلف عن العمليات المخطط لها من الممكن أن يؤدي إلى حدوث مواقف خطيرة.

(5) الخدمات

أ) **قم بالحصول على خدمات شخص مؤهل ذو خبرة وكفاءة**

لصيانة وخدمة معدات الطاقة الخاصة بك، واجعله يقوم

بإستخدام قطع الغيار المتطابقة التي تحمل محل القطع الأخرى

التالفة. حيث أن ذلك سوف يساهم في التأكد من الحفاظ على

أمان معدات الطاقة المستخدمة.

قواعد الأمان الإضافية الخاصة بآلات المنشار

• قم دائماً بارتداء قفازات العمل أثناء تشغيل هذه المعدة.

• ابق يدك بعيداً عن قرص القطع. ولا تقم مطلقاً بقطع أجزاء

العمل التي تتطلب عملاً يدوياً لمسافة تقرب من 15 سم من

قرص القطع الدائري.

• لا تقم بقطع أجزاء العمل بسمك أقل من 1.2 ملم عند استخدام

قرص القطع المزود في هذه الأداة.

• لا تقم بتشغيل هذه المعدة دون وجود غطاء الحماية في المكان.

• لا تقم بتنفيذ أي عملية مسبقاً. استخدم مثبت المواد لتثبيت قطع

العمل بأمان.

• لا تصل مطلقاً إلى ظهر قرص القطع.

• دائماً قم بوضع الأداة على سطح مستوي وثابت تمت صيانتها

بصورة جيدة وتكون خالية من المواد غير المرغوبة؛ على

سبيل المثال صمامات القطع.

• قبل الاستخدام قم بفحص قرص القطع للتأكد من أي صدوع أو

قصور في العمل. قم بالتخلص من قرص القطع حال حدوث

تصدع أو فشل واضح في العمل أو إن حدث فيها أي مظهر من

مظاهر نقص الكفاءة في العمل.

• تأكد من أن قرص القطع غير متصل بقطع العمل قبل تشغيل

المعدة.

• وأثناء العمل تجنب تنشيط قرص القطع أو وفر لها معالجة

صلبة. وفي حالة حدوث ذلك؛ قم بإيقاف المعدة وقم بفحص

قرص القطع.

• لا تقم بتشغيل المعدة أثناء وقوفك في مواجهة قرص القطع،

وحافظ على إبقاء الآخرين بعيداً عن منطقة العمل.

• ولتترك أقرص القطع والمواد التي يتم تقطيعها. فربما تكون

حادة وساخنة. وقم دائماً بقطع الأجزاء لتبريدها قبل التعامل

معها.

• حيث يصبح عاكس الشرر ساخناً أثناء الاستخدام. وتجنب لمس

أو تعديل جارف الشرر فوراً بعد التشغيل.

• قم بإيقاف المعدة وانتظر أن يتوقف قرص القطع قبل أن تقم

بتحريك قطع العمل أو تغيير الوضعية.

• وبعد التوقف عن العمل، لا تقم مطلقاً بإيقاف قرص القطع من

خلال الضغط على جانب القرص.

• لا تقم باستخدام سوائل القطع. حيث أن تلك السوائل من الممكن

أن تشتعل أو تتسبب في حدوث الصدمات الكهربائية.

• قم بالتأكد من أن قطع العمل مدعمة بصورة جيدة.

• قم باستخدام أقرص القطع الموصى بها من قبل المصنع فقط.

• ويجب أن تكون السرعة المسموح بها لقرص القطع مساوية أو

أكبر من السرعة العادية للمعدة المحددة على البطاقة.

• لا تقم باستخدام شرائح المنشار الدائري أو أي نصل آخر

مع هذه الأداة. حيث أنه من الممكن أن تحدث إصابات بالغة

الخطورة.

• لا تقم باستخدام أقرص القطع التي لا تتفق مع الأبعاد المحددة

في البيانات التقنية.

• قم بالتأكد من أن قرص القطع الكاشط مناسب بصورة جيدة قبل

الاستخدام.

• قم بقراءة تعليمات التشغيل المتوفرة من قبل مصنع العجلة.

- وعلى الرغم من تطبيق إجراءات وقيود الأمان المتعلقة بهذا العمل وتطبيق أدوات الأمان إلا أن هناك بعض المخاطر المحددة لا يمكن تجنبها. وتمثل تلك المخاطر في:
 - الإعاقات السمعية.
 - مخاطر الحوادث الناجمة عن الأجزاء غير المغطاة من أقراص القطع الدورانية.
 - مخاطر الجروح والإيذاء عند تغيير القرص.
 - مخاطر هرس الأصابع عند فتح الأجهزة الوقائية.

العلامات الموجودة على الأداة

وفيما يلي العلامات التوضيحية الواضحة على الأداة:

قم بقراءة دليل التشغيل بعناية قبل الاستعمال.



قم بارتداء واقي الأذن.



قم بارتداء واقي الأذن.



قطر الثقب.



وضع كود البيانات (الشكل رقم 1)

لقد تم طبع كود البيانات (v) والذي يشتمل أيضا على سنة التصنيع داخل المبني.

على سبيل المثال:

XX XX 2011
سنة التصنيع

محتويات العبوة

تحتوي العبوة على:

- 1 آلة المنشار
- 1 قرص القطع
- 1 مفتاح هيكس
- 1 دليل التشغيل

- قم بفحص التلغيات في المعدة، وأجزاءها والملحقات التي ربما تحدث فيها تلغيات أثناء عمليات النقل.
- خذ وقتاً كافياً في قراءة وفهم الدليل قبل التشغيل.

الوصف (الشكل رقم 1)

تحذير: لا تتم مطلقاً بتعديل معدات الطاقة أو أي جزء منها. فمن الممكن أن تحدث عمليات التلف أو الأضرار الشخصية.



- a. مفتاح تشغيل/ توقف
- b. فتحة القفل
- c. مقبض التشغيل
- d. مفتاح الغلق

- e. مقبض الحمل
- f. مفتاح/ مزلاج إيقاف العمق
- g. صامولة الإقفال
- h. القاعدة
- i. السياج
- j. مثبت المواد
- k. طارولة القطع
- l. مفتاح هيكس 8 ملم
- m. مقبض
- n. رافعة مثبت المواد
- o. قرص القطع
- p. الواقي
- q. مفتاح عمود الدوران
- r. خطاف الإغلاق الأسفل
- s. عاكس الشرر
- t. مفتاح جارف الشرر
- u. خطاف الإغلاق الأسفل
- v. كود البيانات

الاستخدام المقصود

لقد تم تصميم آلة المنشار الخاصة بك رقم D28710 لقطع المواد المصنوعة من الصلب متعددة الأشكال.

لا تقم بالاستخدام في البيئات الرطبة أو في وجود المواد أو الغازات القابلة للاشتعال.

تعتبر آلة المنشار رقم D28710 أداة طاقة جيدة جداً واحترافية لا تجعل الأطفال يقترّبون من الأداة. فلا بد من وجود عمليات إشراف جيدة عندما يقوم المشغلون غير الخبراء باستخدام هذه الأداة.

الأمان الكهربائي

لقد تم تصميم الموتور الكهربائي لجهد كهربائي موحد. قم دائماً بفحص والتأكد من أن إمدادات الطاقة تستجيب لمعايير الجهد الكهربائي المدونة على لوحة التصنيف.

لقد تم عزل أداة ديوالت عزلاً مزدوجاً وفقاً للمعايرة الأوروبية رقم EN 61029 وبالتالي ليست هناك حاجة إلى سلك أرضي.



ففي حالة تلف سلك الإمداد بالطاقة، يجب أن يتم استبداله بسلك آخر معد خصيصاً من خلال تنظيم خدمة DeWALT.

استخدام كابل الإطالة

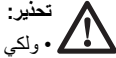
وفي حالة الاحتياج إلى مد كابل إضافي قم باستخدام كابل مد معتمد رقم 3 مناسب لمقدار الطاقة الخاص بهذه المعدة (انظر البيانات التقنية) أقل حجم للموصل 1.5 ملم، 2، وأقصى طول 30 متر.

وعند استخدام بكرة الكابل قم بفك الكابل بصورة كلية.

التوصيل بمصدر الطاقة

يتعين أن تكون مزود الطاقة المستخدم في الماكينة مجهز بمصهر فصل طاقة قوته 16 أمبير بمؤقت زمني متأخر.

1. قم بسحب الرافعة (n) في اتجاه المقبض (m) (الشكل رقم 13)
2. قم بدفع مقبض المثبت (cc) للأمام إلى أن يتلامس الفك (dd) مع قطع العمل بصورة تقريبية.
3. قم بالضغط على الرافعة (n) في اتجاه الفك (dd) إلى أن يتلاحم مع مقبض المثبت (cc).
4. قم بلف المقبض (m) في اتجاه عقارب الساعة وقم بتثبيت قطع العمل بأمان.
5. ولكي تقوم بتحرير قطع العمل قم بلف المقبض (m) في عكس اتجاه عقارب الساعة.



تحذير: • ولكي تقوم بزيادة قدرة القطع قم بوضع الفاصل (ee) تحت قطع العمل (ff). ويجب أن يكون الفاصل أضيق من قطع العمل (الشكل رقم 3ب).

• قم بتدعيم قطع العمل الكبيرة من خلال استخدام قطع من الخشب (gg) (الشكل رقم 3ج). لا تقم بتثبيت النهايات المنقطة (hh).

سمات النقل السريع (الشكل رقم 13)

يشتمل المثبت على سمة النقل السريع.

ولكي تقوم بتحرير المثبت قم بلف المقبض (m) لفة أو لفتين في عكس اتجاه عقارب الساعة وقم بسحب الرافعة (n) في اتجاه المقبض (m).

تهيئة وتحديد وضع التثبيت (الشكل رقم 3د)

من الممكن أن يتم تثبيت وضع التثبيت لتناسب مع قرص القطع.

1. قم بإزالة مفتاح السياج (ii) باستخدام مفتاح هيكس (i).
2. قم بتحريك السياج (i) حسب الحاجة.
3. قم بإعادة تهيئة مفاتيح السياج (ii) وقم بإحكامها لإغلاق السياج (i).

تعديل وتسوية عمق القطع (الشكل رقم 4)

من الممكن أن يتم استخدام الأداة للتقطيع المائل حتى 45 درجة.

1. قم بتحريك مفاتيح السياج (ii) حتى يتم إطلاق وتحريك السياج (i).
2. ضع السياج (i) في الزاوية المطلوبة. من الممكن قراءة الزاوية على المقياس (jj).
3. قم بإحكام مفاتيح السياج (ii) لإغلاق السياج (i).

فحص وتسوية المقياس المائل

(الشكل رقم 1, 4)

1. قم بتحريك مفاتيح السياج (ii) لتحريك السياج (i) (الشكل رقم 4).
2. قم بسحب الزراع لأسفل وأغلقه في هذا الوضع باستخدام سلسلة الإغلاق لأسفل (u) (الشكل رقم 1).
3. قم بوضع المربع (kk) مقابل السياج (i) وعلى الجانب الأيسر من قرص القطع شكلاً زاوية قائمة 90 درجة (الشكل رقم 4). تأكد من أن درجة الصفر 0 الموجودة على المقياس (jj) متساوية مع العلامة الموجودة في الجدول (ii).
4. قم بإحكام مفاتيح السياج (ii) لإغلاق السياج (i).
5. قم بتحريك سلسلة الإغلاق لأسفل (u)، وقم بلف الزراع لوضعه الأعلى (الشكل رقم 1).

انخفاضات الجهد الكهربائي

هذا وتؤدي التيارات غير السريعة إلى حدوث انخفاضات في الجهد الكهربائي لفترة وجيزة. وربما تتأثر المعدات الأخرى تحت وطأة أي ظروف إمداد الطاقة غير المرغوب فيها.

وفي حالة ما إذا كان نظام إمداد الطاقة منخفضاً عن 0.11 أوم فهناك إمكانية لحدوث اضطرابات.

التجميع والتعديلات

تحذير: لكي تقوم بتقليل مخاطر الأضرار، قم بإغلاق الوحدة وأفضل الماكينة عن مصدر الطاقة قبل تركيب وإزالة الملحقات قبل تسوية وتعديل أو تغيير المثبتات أو عند تنفيذ الإصلاحات. تأكد من أن المفتاح المشغل في وضع إيقاف التشغيل. فمن الممكن أن تؤدي البداية الفجائية إلى أضرار جسيمة.



إزالة وتركيب قرص القطع (صورة رقم 1, 2)

1. من خلال وضع الزراع في وضع الراحة قم باستخدام اللسان (الشفاه) (w) لتقم بانزلاق الوافي (p) للخلف. واطرك الحامي متراجعا (الشكل رقم 2).
2. قم بالضغط على المفتاح المغزي الشكل وابقه للأسفل (q) (الشكل رقم 1).
3. قم بإدارة قرص القطع (o) إلى أن يتم إقفاله.
4. وباستخدام مفتاح هيكس (l) قم بإزالة المفتاح (x) من خلال اللف عكس عقارب الساعة ثم بعد ذلك قم بإزالة الوشرة (y) وقم بالاحتفاظ بالحافة البارزة (z) (الشكل رقم 2).
5. قم بالتأكد من أن الفاصل (aa) في مكانه في مقابل الحافة البارزة (bb).
6. قم بتغيير قرص القطع (o). وتأكد من أن القرص الجديد قد تم وضعه على الفاصل (aa) في الاتجاه الدائري الصحيح.
7. قم بتأمين النصل مع المساعد الاحتياطي المحتفظ به (z)، والوشرة (y) والمفتاح (x).
8. قم بتحريك الحامي للخلف للأسفل ثم قم بتحريك المفتاح الدوراني (q).
9. قم بتعديل وتهيئة عمق القطع الضروري.

تعديل وتسوية عمق القطع (الشكل رقم 1)

من الممكن أن يتم تعديل وتهيئة عمق القطع ليتناسب مع هيئة قرص القطع.

- قم بعمل دورة جافة مع إبقاء الأداة مغلقة وقم بالتأكد من النظافة.
- وإن كان التعديل ضرورياً قم بالاستمرار وفق التالي:
 - قم بتحريك صامولة القفل (g) لعدة لفات.
 - قم بلف مفتاح إيقاف العمق (f) للداخل والخارج للحصول على عمق القطع المطلوب.
 - قم بإحكام صامولة المفتاح (g).

تحذير: قم دائما بتعديل إيقاف العمق للوضع الطبيعي عند تبديل قرص القطع.



قم بتثبيت قطعة العمل في موضعها (الشكل

رقم 1, 3)

لقد تم تزويد المعدة بمثبت مواد (j) (الشكل رقم 1).

تعدیل وتسوية عاكس الشرر (الشكل رقم 1)

1. قم بفك المسمار (t).
2. قم بوضع عاكس الشرر (s) بالوضع المناسب.
3. أربط المسمار (t).

التركيب (شكل 6، و7)

تنبيه: يجب أن يتم وضع الأداة على سطح ثابت ومستوي وغير زلق لمنع الحركة غير المتوقعة أثناء التشغيل.

إجراءات التركيب الدائم

1. قم بحفر ثقبين بحجم 8 مم (16/5 بوصة) عبر سطح التشغيل (شكل 6).
2. قم بإدخال البراغي 20-4/1 لأسفل عبر الثقب في القاعدة و عبر الفتحات في سطح التركيب. يجب أن يكون الطول الملائم للبراغي بنفس سماكة سطح التركيب يزيد عن 102 مم (4 بوصة).
3. قم بإحكام ربط البراغي بإحكام.

تركيب الحامل

1. قم بقطع لوحين بمقدار 508 × 50.8 × 101.6 مم (بطول 20 بوصة × وارتفاع 2 بوصة × 4 بوصة) كعرض.
2. ضع منشار القطع المحوري على موضع العمل المرغوب.
3. قم بوضع الألواح بإحكام إلى جانب بعضها البعض، وتثبيتها بسطح العمل (شكل 7).

قبيل عملية التشغيل

- قم بتثبيت وتركيب قرص القطع المناسبة، ولا تستخدم أقرص بالية. أقصى سرعة دوران للأداة يجب أن لا تتعدى سرعة قرص القطع.
- تأكد من أن القرص يدور في اتجاه الأسهم الموجودة على الملحقات والمعدة.
- قم بتأمين قطع العمل.
- قم دائماً بوضع عاكس الشرر في وضعه الصحيح.

التشغيل

تعليمات الاستخدام

- تحذير:**
- يُرجى الالتزام دوماً بتعليمات الأمان والقواعد المعمول بها.
 - لا تقم بالضغط المفرط على الماكينة.
 - تجنب زيادة الأحمال. في حالة ما إذا أصبحت الماكينة ساخنة أتركها تدور لعدة دقائق في وضعها الطبيعي وليس تحت عبء أو حمل.

تحذير: لتقليل خطر التعرض لإصابة شخصية، أوقف تشغيل الأداة وأفضلها من مصدر الطاقة قبل إجراء أي تعديلات أو فك/تركيب الملحقات أو الأجهزة الإضافية.

وضع اليد الصحيح (الشكل رقم 5)

تحذير: لتقليل خطر التعرض لإصابة شخصية، استخدم دوماً وضع اليد الصحيح كما هو مبين.

تحذير: لتقليل خطر التعرض لإصابة شخصية، أمسك دوماً الأداة بإحكام تحسباً لأي رد فعل مفاجئ.

يحتاج وضع اليد الصحيح يد واحدة على مقبض التشغيل (c)، مع استخدام اليد الأخرى في توجيه قطعة العمل.

إجراء القطع (الشكل رقم 1)

1. ضع المادة المراد قطعها مقابل السياج (i) وثبتها باستخدام مثبت المواد (j).
2. شغل الآلة وشد مقبض التشغيل لأسفل (c) لقطع قطعة العمل. أسمح للمحرك الوصول للسرعة الكاملة قبل القطع.
3. أجهل القرص بقطع بحرية. لا تستخدم القوة.
4. بعد إجراء القطع، أوقف تشغيل الآلة وأعد الذراع إلى وضع الراحة العلوي.

التشغيل وإيقاف التشغيل (الشكل رقم 1)

تم تثبيت مفتاح التشغيل/الإيقاف (a) على مقبض التشغيل (c). لتشغيل الآلة، اضغط على مفتاح التشغيل/الإيقاف (a). أحتفظ بمفتاح التشغيل/الإيقاف مضغوط أثناء إجراء التشغيل. لإيقاف الآلة، حرر المفتاح. يمكن قفل الآلة على الاستخدام المستمر بالضغط على مفتاح التشغيل/الإيقاف (a)، ثم الضغط على مفتاح تشغيل القفل (d). اضغط مع الاستمرار على زر تشغيل القفل (d) مثل تحرير مفتاح التشغيل/الإيقاف (a) برفق.

لإيقاف تشغيل الآلة من وضع القفل، اضغط على مفتاح التشغيل/الإيقاف (a) وحرر مفتاح تشغيل القفل (d). لا تفصل الآلة عن الطاقة ومفتاح تشغيل القفل قيد العمل. تأكد من عدم تشغيل مفتاح القفل عند التوصيل.

تحذير: لا تقم بتشغيل الآلة أو إيقافها عند وجود حمل.



تحذير: لا تقطع المغنسيوم.



النقل (الشكل رقم 1)

- الآلة مزودة بسلسلة قفل (u) والتي تقوم بقفل الآلة من الوضع المغلق لأسفل عند الحمل.
1. أنزل الواقي (p) على طاولة القطع (k) وثبت الآلة في هذا الوضع عن طريق تثبيت السلسلة (u) على القفل السفلي (r).
 2. أنقل الآلة باستخدام مقبض الحمل (e).
- لتحرير الماكينة، اضغط على مقبض التشغيل (c) برفق وحرر السلسلة.

الصيانة

تم تصميم أداة DEWALT للتشغيل على فترة طويلة من أدنى قدر من الصيانة. يعتمد التشغيل المرضي باستمرار على العناية بالآلة بشكل صحيح والتنظيف المنتظم.

هذا بالإضافة إلى أن القوانين المحلية قد توفر عمليات لجمع المنتجات الكهربائية من الأجهزة المنزلية، وتجميعها على نحو منفصل في مواقع لتجميع القمامة خاصة بالبلدية، أو على يد بائعين، وذلك عند شراءك لمنتج جديد.

تقدم DEWALT منشأة لجمع وإعادة تدوير منتجات DEWALT بمجرد وصولهم لنهاية العمر الافتراضي. للاستفادة من هذه الخدمة، يرجى إرجاع المنتج لأي وكيل إصلاح معتمد والذي سيقوم بتجميعهم بالنيابة عنا.

يمكنك التحقق من أقرب وكيل إصلاح معتمد عن طريق الاتصال بالمكتب المحلي لـ DEWALT على العنوان المشار إليه في هذا الدليل. بالإضافة إلى ذلك، تتوفر قائمة بوكلاء الإصلاح المعتمدين من DEWALT والتفاصيل الكاملة على خدمة ما بعد البيع الخاصة بنا ومعلومات الاتصال على الموقع: www.2helpU.com.

تحذير: لكي تقوم بتقليل مخاطر الأضرار، قم بإغلاق الوحدة وافصل الماكينة عن مصدر الطاقة قبل تركيب وإزالة الملحقات قبل تسوية وتعديل أو تغيير المثبتات أو عند تنفيذ الإصلاحات. تأكد من أن المفتاح المشغل في وضع إيقاف التشغيل. فمن الممكن أن تؤدي البداية الفجائية إلى أضرار جسيمة.



التشحيم

لا تحتاج آلة الطاقة إلى تشحيم إضافي.



التنظيف

تحذير: أنفخ الأوساخ والأتربة من التجويف الرئيسي باستخدام الهواء الجاف كلما رأيت أوساخ متجمعة بالداخل وحول فتحات الهواء. أرتردي واقي العين وقناع الأتربة المعتمدين عند إجراء ذلك.

تحذير: لا تستخدم المحاليل أو المواد الكيميائية الأخرى الكاشطة لتنظيف الأجزاء غير المعدنية للآلة. حيث يمكن أن تضعف هذه المواد الكيميائية المستخدمة في هذه الأجزاء. استخدم قطعة من القماش المبلل بالماء وصابون خفيف. لا تسمح لأي سائل أن يدخل بداخل الماكينة؛ ولا تغمس أي جزء من الأداة في سائل.

الملحقات الاختيارية

تحذير: نظراً لعدم اختبار ملحقات غير تلك المقدمة من DEWALT مع هذا المنتج، يمكن أن يمثل استخدام مثل هذه الملحقات مع هذه الآلة خطر. لتقليل الإصابة الشخصية، يجب استخدام الملحقات الموصى بها فقط من DEWALT مع هذا المنتج.

استشر الموزع للحصول على معلومات عن الملحقات المناسبة.

حماية البيئة

تجمع منفصلاً، يتعين أن لا يتم التخلص من هذا المنتج من خلال وضعه مع فضلات المنزل العادية.



وفي حالة ما إذا اكتشفت في أحد الأيام أن معدة ديولت الخاصة بك تحتاج إلى تغيير وتبديل، أو في حالة ما إذا لم تعد ذات أهمية في استخدامها لديك، لا تقم بالتخلص منها من خلال وضعها مع النفايات المنزلية الأخرى. ولتجعل هذا المنتج متوافراً في مجموعة منفردة.

حيث أن التجميع المنفصل للعدد والأدوات والمنتجات المستعملة وتعبئتها يسمح بإعادة معالجة هذه المواد لاستخدامها فيما بعد. كما أن إعادة استخدام المواد تمت معالجتها يساعد في منع التلوث والحد من التلوث الذي قد يصيب المواد الخام.



Afganistan	Ariana Hafiz Zabi Co. Ltd. Dahan Bagh Squire Karte Ariana, Kabul, Afghanistan	info@arianahafiz.com	Tel: 93-0-799331079 Fax: 93-0-700007576 / 93-0-799331079
Algeria	Sarl Outillage Corporation 08, Rue Med Boudiaf (ex TELLA Achen) Cheraga, Alger	hakim.merdjadi@outillage-dz.com lyes@outillage-dz.com Mali.faiza@outillage-dz.com; sidahmed@outillage-dz.com	Tel: 213-0-21375130 213-0-21375131 Fax: 213-0-21369667
Angola	Angoferraria, Lda. Rua Robert Shields, nº 61, Luanda, Angola	angoferraria@gmail.com sequeira.angoferraria@gmail.com	Tel: 244-222-395837 / 244-222-395034 Fax: 244-222-394790
Azerbaijan	Royalton Holdings Ltd. 41 Khagani St. Apt. 47 AZ1001 Baku- Azerbaijan	jai@royaltonholdings.com office@royaltonholdings.com	Tel: 994-12-4935544 Fax: 994-12-5980378
Egypt	ElFarab S.A.E. 15-Nabil El Wakkad Street, Dokki, Giza, Egypt	elfarab@elfarab.com adel.ezzat@elfarab.com mahmoud.elhosseiny@elfarab.com	Tel: 202-37603946 Fax: 202-33352796
Ethiopia	Seif Tewfik Sherif Arada Sub City, Kebele 01/02, Global Insurance Bldg., 2nd Flr., Room 43, P.O. Box 2525, Addis Ababa	seif@ethionet.et nawanag@ethionet.et	Tel: 251-11-1563968 251-11-1563969 Fax: 251-11-1558009
Iraq	Al-Sard Co. for General Trading Ltd Jbara Bldg. 3Flr. Al Rasheed St., Baghdad, Iraq	dewalt.service@yahoo.com	Tel: 964-18184102
Jordan	Amman West Stores-Bashiti 210 Garden St. Tla'a Ali, P.O. Box 1564 Tla Ali Amman 11953, Jordan	ali@bashitistores.com yousef@bashitistores.com	Tel: 962-6-5350009 Fax: 962-6-5350012
Kenya	Dextron Tools Ltd. P.O. Box 20121-00200, Shariff House, Kimathi Street, Nairobi	info@alibhaishariff.co.ke dextron@alibhaishariff.co.ke	Tel: 254-20-6905000 254-20-2358021 Fax: 254-20-6905111 / 254-20-6905112
Lebanon	Est. Shaya & Azar S.A.R.L. Boulevard Jdeideh - Mar Takla - Bouchrieh . P.O. Box 90545, Jdeideh. Beirut - Lebanon	shayazar@dm.net.lb	Tel: 961 1 872305 961 1 872306 Fax: 961 1 872303
Libya	North Africa Trading (El Ghoul Brothers) P.O. Box 348, 7 October Street 11 Benghazi	maryam_farooq2003@yahoo.com nagte@eim.ae dewalt_libya@yahoo.com	Tel: 218-061-3383994 Fax: 218-092-7640688
	North Africa Trading (El Ghoul Brothers) AlBarniq DeWALT Center, Mokhazin-elsukar St. ElFallah, Tripoli	dewalt_libya@yahoo.com	Tel: 218-021-3606430 Fax: 218-092-6514813
	North Africa Trading (El Ghoul Brothers) AlHilal Service Center Tawergha St., Misurata		Tel: 218-091-3221408
Mauritius	Robert Le Marie Limited Old Moka Road, Bell Village, P.O. Box 161, Port Louis	a.blackburn.rm@rmgroup.mu jm.pierrelouis.rm@rmgroup.mu	Tel: 230-212 1865 230-212 2847 Fax: 230-2080843
Morocco	Ets Louis Guillaud & Cie 31, Rue Pierre Parent, Casablanca - 21000	boumadiane.azedine@elg.ma doukkail.marouane@elg.ma	Tel: 522-301446 / 305971 / 317815 / 315576 Fax: 522-444518 / 317888
Nigeria	Meridian Power Tools Ltd. Gr. Floor, #1 Alhaji Masha Rd, Next to Teslim Balogun Stadium, Near National Stadium Surulere, Lagos, Nigeria	braj@meridian-nigeria.com	Tel: 234-1-7740431 234-1-7740410 Fax: 234-1-7913798
Pakistan	Northern Toolings (Pvt) Ltd.-Lahore 86- Railway Road, Lahore - 7 Pakistan	zhayee@northern.pk import@northern.pk sales@northern.pk	Tel: 92-423-7651220 92-423-7641675 Fax: 92-423-7641674
	Northern Toolings (Pvt) Ltd.-Karachi 224-231 Industrial Town Plaza, Shahrah-e-Liaqat, Karachi, Pakistan	karachibr@northern.pk	Tel: 92-213-2465305 92-213-2465307 Fax: 92-213-2465301
	Northern Toolings (Pvt) Ltd.-Taxila Al-Rehman Plaza, Opposite Tehsil Court, Faisal Shaheed Road, Taxila	taxilabr@northern.pk	Tel: 92-51-4545811 Fax: 92-51-4544194
South Africa	Benray Tool Wholesalers C.C. 91 Turfontein Road, Stafford, Johannesburg, 2001 P.O. Box 260037 EXCOM 2023, South Africa	dewaltservice@benray.co.za zain@benray.co.za shafiq@benray.co.za	Tel: 27-11-6838350 Fax: 27-11-6837456
Tanzania	General Motors Investment Ltd. 14 Vingunguti-Nyerere Road, P.O.Box 16541, Dar es Salaam, Tanzania	ezra@gmi-tz.com info@gmi-tz.com chiwelesa@yahoo.com	Tel: 255-22-2865022 / 2862661 / 2862671 / 2862659 Fax: 255-22-2862667
Tunisia	Ets. Mohamed Ghorbel 03 Rue 8603 Chargaia I Tunis. Postal Code 2035	slim.ghorbel@gnet.tn moh.ghorbel@gnet.tn mourad.ghorbel@gnet.tn	Tel: 216-71794248 216-71793848 Fax: 216-71770759
Uganda	The Building Center (u) Ltd. 52 Station Road, Kitgum House, P.O. Box 7436 Kampala, Uganda	tbc@africaonline.co.ug chris@tbcu.co.ug	Tel: 256-041-4234567 256-041-4259754 Fax: 256-041-4236413
Yemen	Middle East Trading Co. (METCO) 5th Flr.Hayel Saeed Anam Bldg. Al-Mugamma St. Taiz, Yemen	tamer.metco@gmail.com tamer@metcotrading.com metco@metcotrading.com sami@metcotrading.com	Tel: 967-4-213455 Fax: 967-4-219869
	Middle East Trading Co. (METCO) Mualla Dakka, Aden	tamer.metco@gmail.com tamer@metcotrading.com metco@metcotrading.com	Tel: 967-2-222670 Fax: 967-2-222670
	Middle East Trading Co. (METCO) Hayel st., Sana'a, Yemen	tamer.metco@gmail.com tamer@metcotrading.com metco@metcotrading.com	Tel: 967-1-204201 Fax: 967-1-204204

UAE	Black & Decker (Overseas) GmbH P.O. Box 5420, Dubai	service.me@blackdecker.com	Tel: 971-4 8127400 / 8127406 Fax: 971-4 2822765	
	Ideal Star Workshop Eqpt. Trading LLC P.O. Box 37116, Al Quoz, Dubai	idealeq@emirates.net.ae	Tel: 971-4 3474160 Fax: 971-4 3474157	
	Alebrah Engineering Service P.O. Box 78954, Al Qusais, Dubai	alebrah@eim.ae	Tel: 971-4 2850044 Fax: 971-4 2844802	
	Burj Al Madeena Industrial Area No. 1, opp. Pakistani Masjid P.O. Box 37635, Sharjah	dewaltuae@hotmail.com	Tel: 971-6 5337747 Fax: 971-6 5337719	
	McCoy Middle East LLC P.O. Box 25793, Sharjah	mccoy@emirates.net.ae	Tel: 971-6 5395931 Fax: 971-6 5395932	
	McCoy Middle East LLC P.O. Box 10584, Ras Al Khaimah	mccoyrak@gmail.com	Tel: 971-7 2277095 Fax: 971-7 2277096	
	Al Sukoon Gen. Trdg. Co. LLC P.O. Box 2975, Ajman	sukoon@eim.ae	Tel: 971-6 7435725 / 7438317 Fax: 971-6 7437350	
	Zillion Equipment and Spare Parts Trading LLC P.O. Box 19740, opp. Bin Sadal / Trimix Redymix Sanaiya, Al Ain	zilliontrdg@gmail.com	Tel: 971-3 7216690 Fax: 971-3 7216103	
	Light House Electrical, Abu Dhabi Branch P.O. Box 120, Abu Dhabi	dewalt_lhe@hotmail.com	Tel: 971-2 6726131 Fax: 971-2 6720667	
	Light House Electrical, Musaffah Branch P.O. Box 120, Abu Dhabi	dewalt_lhe@hotmail.com	Tel: 971-2 5548315 Fax: 971-2 5540461	
	Bahrain	Alfouz Services Co. WLL P.O. Box 26562, Tubli, Manama	alfouz@batelco.com.bh	Tel: 973 17783562 / 17879987 Fax: 973 17783479
		Kavalani & Sons W.L.L. P.O. Box 71, Sitra, Manama	info@kavalani.com pradeep@kavalani.com	Tel: 973 17732888 Fax: 973 17737379
		Kuwait	Al Omar Technical Co. P.O. Box 4062, Safat 13041, Kuwait	alexotc@usa.net
	Fawaz Al Zayani Establishment P.O. Box 42426, Shop No.18, Al Hurnaizi Commercial Complex, Khalifa Al Jassim, Shuwaikh		dewaltkuwait@hotmail.com	Tel: 965 24828710 Fax: 965 24828716
Fawaz Al Zayani Establishment Fahaheel Industrial Area, Main St., Sanaya	dewaltkuwait@hotmail.com		Tel: 965 23925830 Fax: 965 24828716	
Oman	Al Jizzi Company LLC P.O. Box 1704, P.C. 112, Ruwi	aljizied@omantel.net.om jizzi10@omantel.net.om	Tel: 968 24832618 / 24835153 Fax: 968 24831334 / 24836460	
	Al Hassan Technical & Construction Supplies Co. LLC P.O. Box 1948, P.C. 112, Ruwi	hamriya.sr@al-hassan.com abrar.h@al-hassan.com	Tel: 968 24810575 / 24837054 Fax: 968 24810287 / 24833080	
	Oman Hardware Co. LLC P.O. Box 635, Ruwi Postal Code 112	omanhard@omantel.net.om	Tel: 968 24815131 Fax: 968 24816491	
	Khimji Ramdas P.O. Box 19, Post Code 100, Ghala, Muscat	bilal.m@khimjiramdas.com	Tel: 968 24595906/ 907 Fax: 968 24852752	
	Qatar	Teyseer Industrial Supplies & Services Co. WLL 55, Al Wakalat St. (Between St. 18 & 19) Salwa Industrial Area, P.O. Box 40523 Doha	manish@tissco-qatar.com tool.service@tissco-qatar.com	Tel: 974 4581536 Fax: 974 4682024
Shaheen Electrical Works & Trading Co. WLL Gate 34, St. 44 Industrial Area P.O. Box 9756, Doha		shaheenelc@gmail.com	Tel: 974 460 02 30 / 460 05 25 Fax: 974 460 13 38	
KSA	Industrial Material Organization (IMO) P.O. Box 623, Rail Street, Riyadh	service@imo.com.sa	Tel: 966-1 4028010 Ext. 26 Tel: 966-1 8001245757 Fax: 966-1 4037970	
	Fawaz Ebrahim Al Zayani Trading Est. P.O. Box 76026, Al Raka : 31952	dewaltdammam@hotmail.com	Tel: 966-3 8140914 Fax: 966-3 8140824	
	MSS (Al-Mojil Supply & Services) P.O. Box 450, Jubail 31951 Opp-Gulf Bridge Library & Riyadh House	mssjubail@almojilservices.com alex.chang@almojilservices.com	Tel: 966-3 3612850 / 3624487 Tel: 966-3 3621729 Fax: 966-3 3623589 / 3620783	
	EAC (Al Yousef Contg. & Trdg. Est.) P.O. Box 30377, Jeddah -21477	golamkibria77@yahoo.com	Tel: 966-2 6519912 Fax: 966-2 6511153	
	Mohamed Ahmed Bin Aff Est. P.O. Box 530, Yanbu, Al Bahr	binaffyanbu@hotmail.com	Tel: 966-4 3222626 / 3228867 Fax: 966-4 3222210	
	Garziz Trading for Bldg Mat & Decoration P.O. Box 3364, Madina	agarziz@yahoo.com	Tel: 966-4 826 14 90 / 822 76 36 Fax: 966-4 826 57 41	
	Sultan Garment Factory (RSC) P.O. Box 29912, Riyadh 11467	rscservice@digl.net.sa	Tel: 966-1 4055148 / 4042889 Fax: 966-1 4055148	
	Al Bawardi Tools & Hardware P.O. Box 112, Dammam 31411	asattar@albawardi.com nibanez@albawardi.com	Tel: 966-3 8330780 Ext. 24 Tel: 966-3 8348585 Ext. 24 Fax: 966-3 8336303	
	Al Bawardi Tools & Hardware P.O. Box 68, Riyadh 11411	rbaltao@albawardi.com asamad@albawardi.com	Tel: 966-1 4484999 Fax: 966-3 4487877	
	Al Bawardi Tools & Hardware P.O. Box 16905, Jeddah 21474	sharadj@albawardi.com fgaber@albawardi.com	Tel: 966-2 6444547 / 6439035 Tel: 966-2 6456095 Fax: 966-2 6439024	