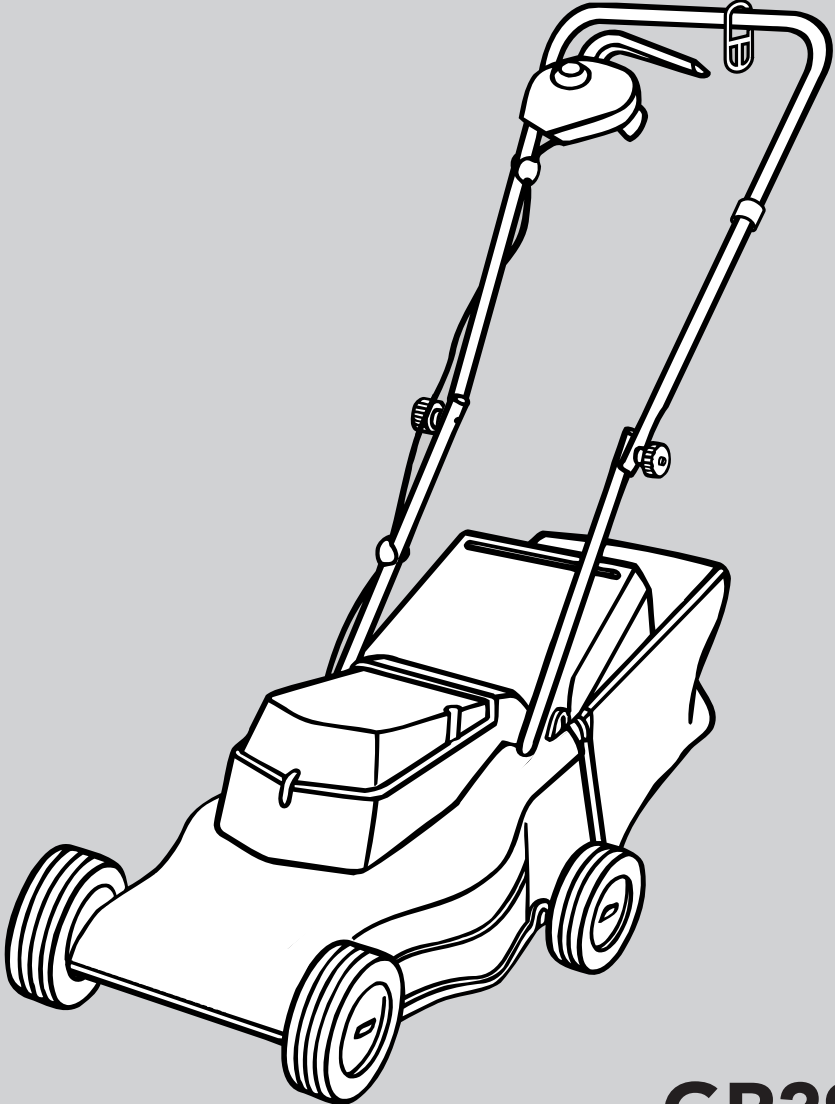


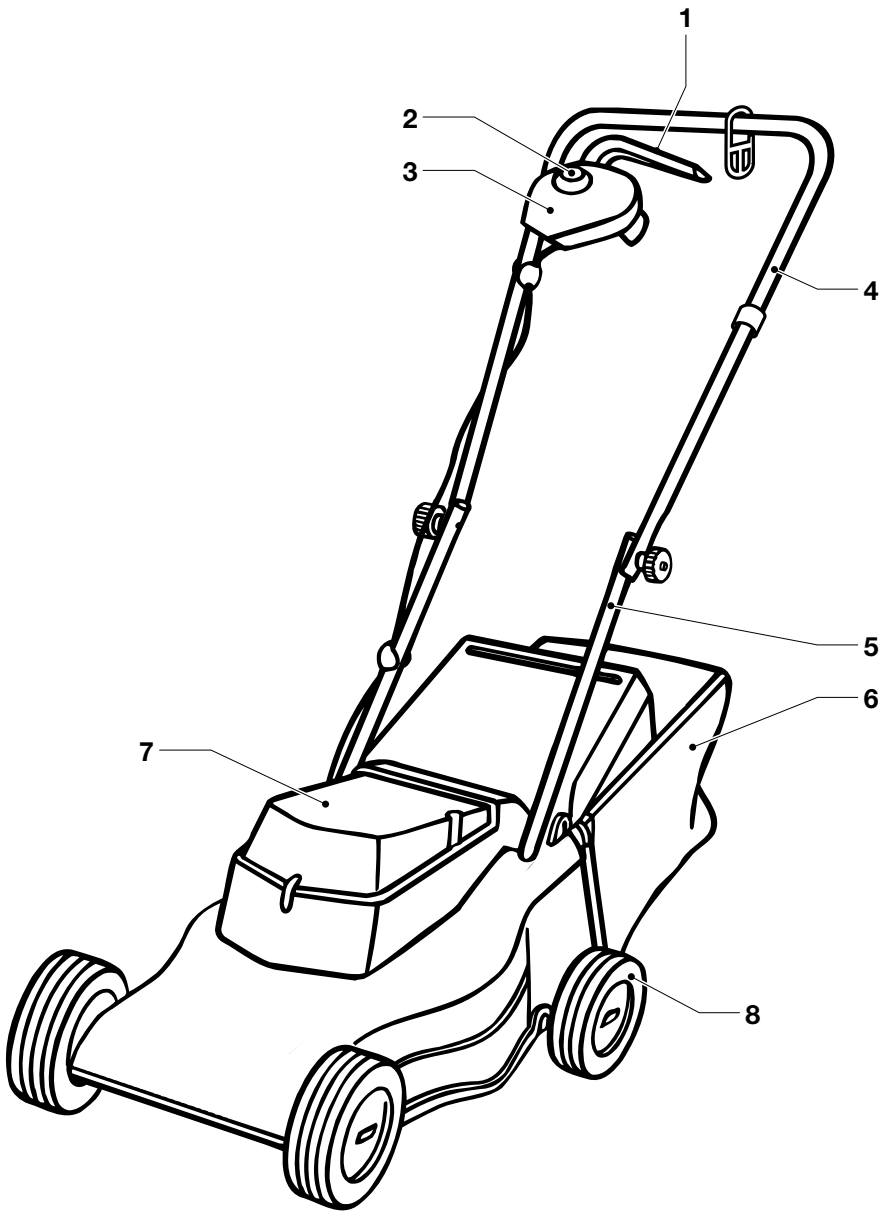


**BLACK &
DECKER®**

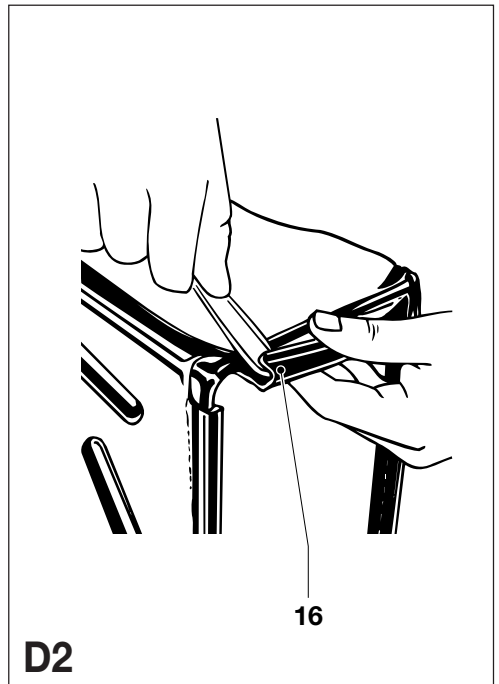
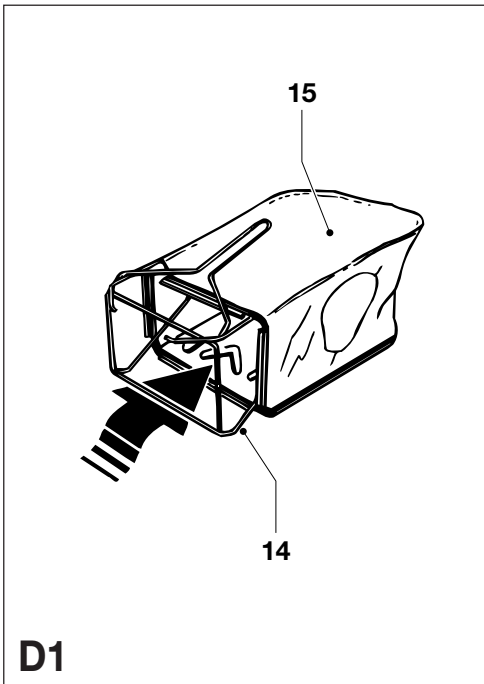
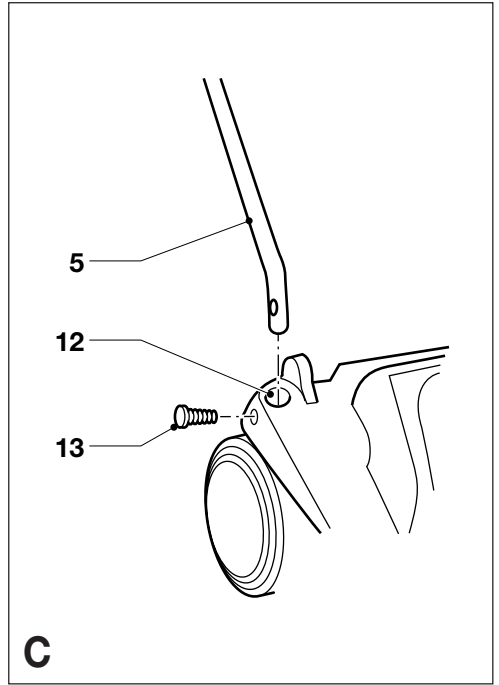
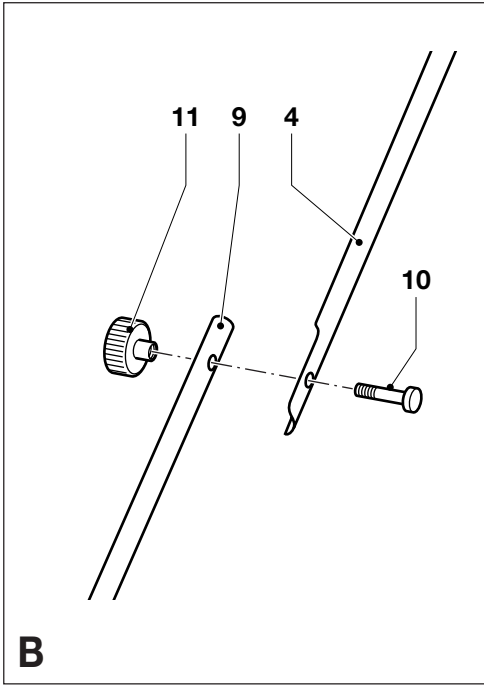


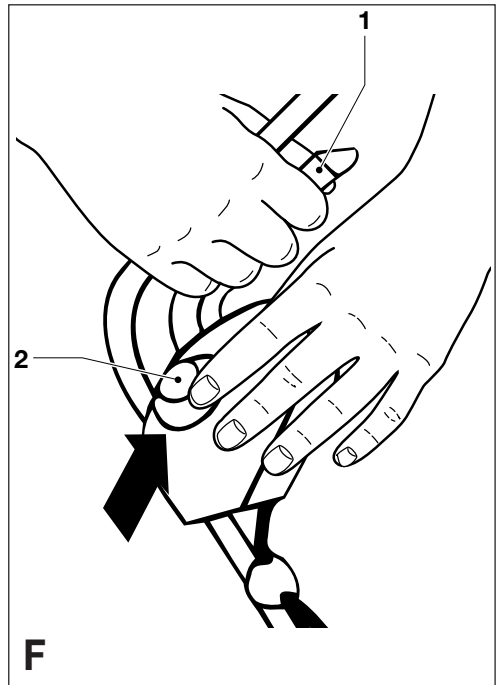
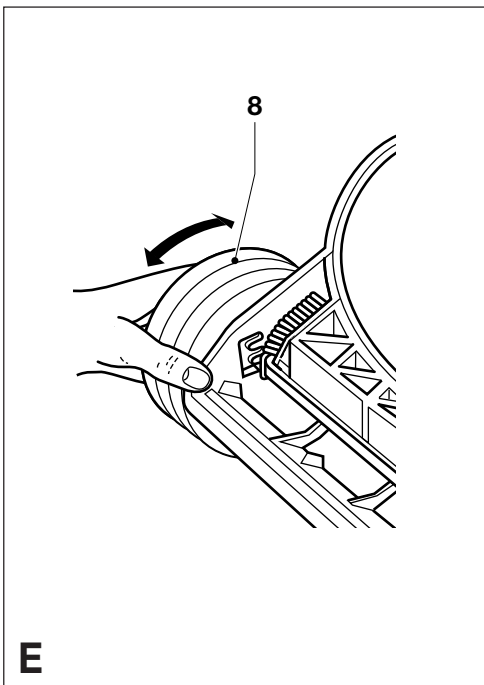
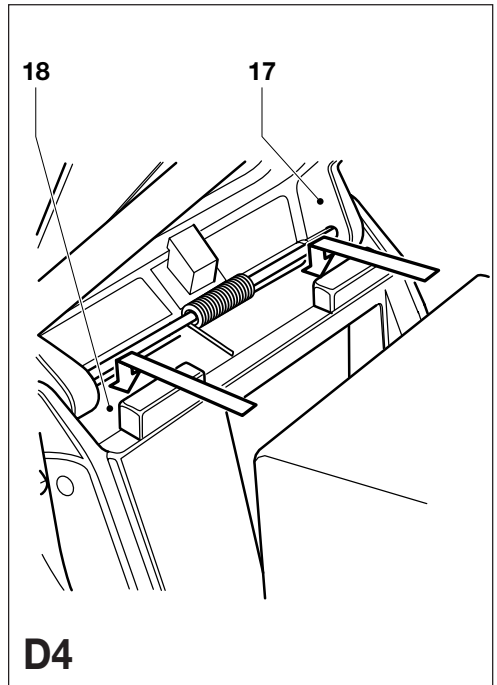
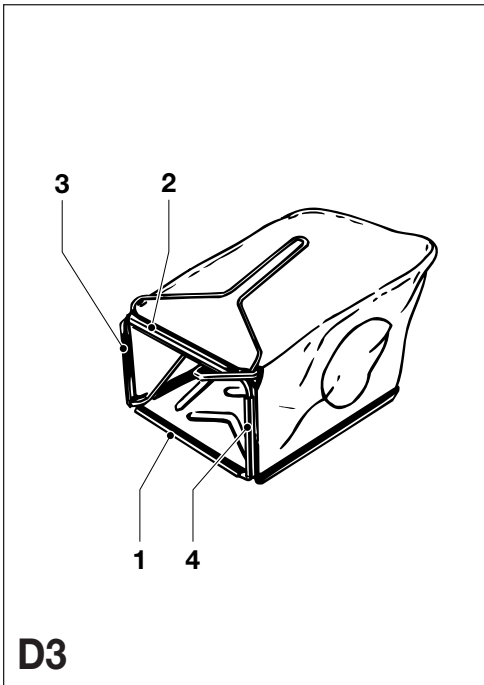
GR290

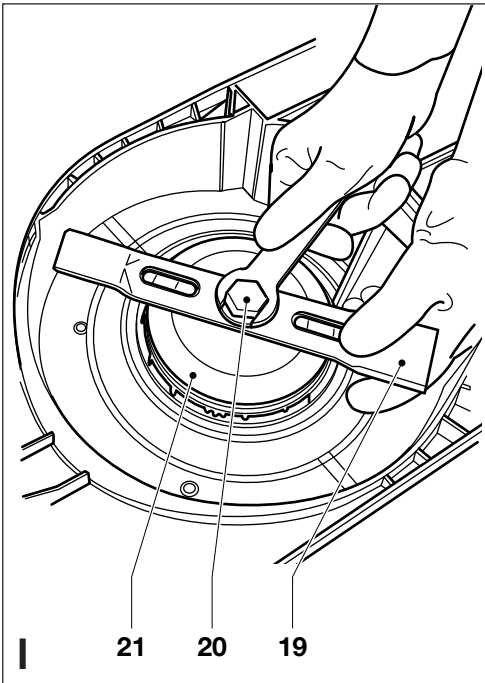
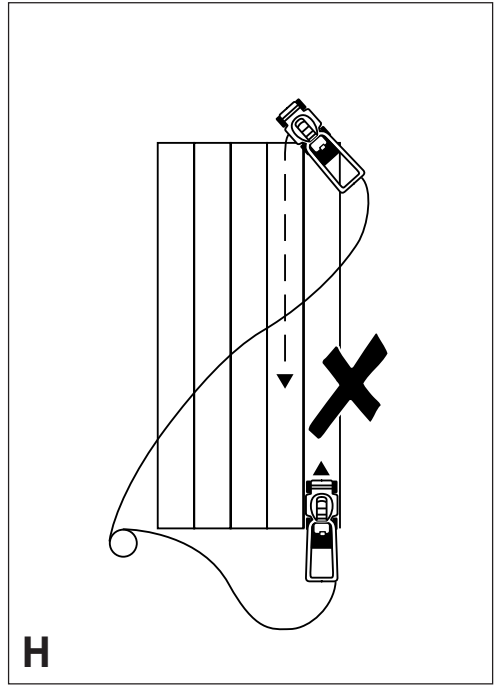
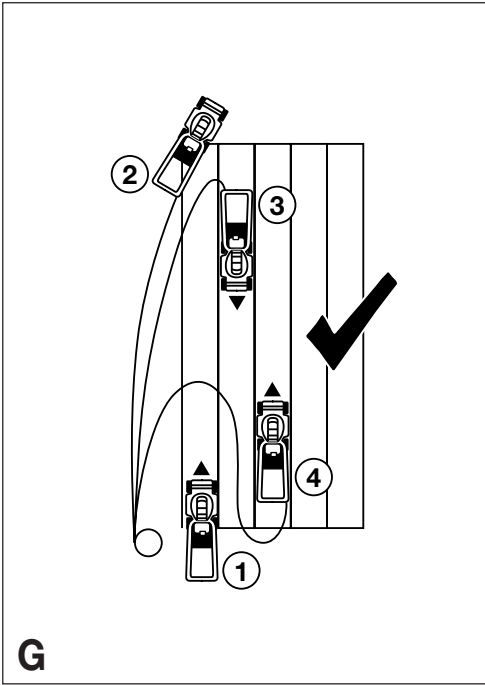
English	7
Deutsch	13
Français	20
Italiano	26
Nederlands	32
Español	38
Português	45
Svenska	51
Norsk	57
Dansk	63
Suomi	69
Ελληνικά	75



A







LAWN MOWER GR233/GR270/GR280/GR290

CONGRATULATIONS!


You have chosen a Black & Decker tool. Our aim is to provide quality tools at an affordable price. We hope that you will enjoy using this tool for many years.

EC DECLARATION OF CONFORMITY

CE GR233/GR270/GR280/GR290
Black & Decker declares that these products conform to:
98/37/EC, 89/336/EEC, 73/23/EEC,
EN 55014, EN 60335, EN 61000,
2000/14/EC, Lawn mower, L ≤ 50 cm,
Annex VIII, No. 0086
B.S.I., HP2 4SQ, United Kingdom

Level of sound pressure, measured according to 2000/14/EC:

L_{pA} (sound pressure)	dB(A)	81
L_{WA} (acoustic power)	dB(A)	95
L_{WA} (guaranteed)	dB(A)	96

 Always wear ear protection if the sound pressure exceeds 85 dB(A).

Hand/arm weighted vibration value according to EN 50144:

< 2.5 m/s²



Kevin Hewitt
Director of Consumer Engineering
Spennymoor, County Durham DL16 6JG,
United Kingdom
4-2-2002

INTENDED USE

Your Black & Decker mower has been designed for mowing grass. This tool is intended for consumer use only.

SAFETY INSTRUCTIONS

Warning symbols

The following symbols are used in this manual:



Denotes risk of personal injury, loss of life or damage to the tool in case of non-observance of the instructions in this manual.



Denotes risk of electric shock.



Read the manual prior to operation.

Know your appliance



- ◆ **Warning!** When using mains-powered appliances, basic safety precautions, including the following, should always be followed to reduce the risk of fire, electric shock and personal injury.
- ◆ Read all of this manual carefully before operating the appliance.
- ◆ Before operating the appliance, make sure that you know how to switch it off in an emergency.
- ◆ The intended use is described in this manual. The use of any accessory or attachment or performance of any operation with this appliance other than those recommended in this instruction manual may present a risk of personal injury.
- ◆ Retain this manual for future reference.

Work area

- ◆ Do not expose the appliance to rain. Do not use the appliance in damp or wet conditions.
- ◆ Only use the appliance in daylight or good artificial light.

Personal protection

- ◆ Wear stout shoes or boots to protect your feet. Do not operate the appliance wearing open-toed sandals or when barefoot.
- ◆ Wear long trousers to protect your legs.

Using your appliance

- ◆ Be sure that the appliance is switched off when plugging in.
- ◆ Stay alert. Watch what you are doing. Use common sense.
- ◆ Do not operate the appliance when you are tired.
- ◆ If the appliance begins to vibrate abnormally, switch it off and remove the plug from the socket. Allow rotating parts to stop and inspect the appliance for damage and loose parts.
- ◆ Never pull the cord to disconnect the plug from the socket. Keep the cord away from heat, oil and sharp edges.
- ◆ If the mains cable is damaged during use, switch the appliance off and disconnect the plug from the mains immediately. **Do not touch the mains cable before disconnecting from the mains.**

Safety of others

- ◆ Do not allow children or any person unfamiliar with these instructions to operate the appliance.
- ◆ Do not allow children, visitors or animals to come near the work area or to touch the appliance or mains cable.
- ◆ Remember that the operator may be held responsible for accidents or hazards occurring to other people or their property.

After use

- ◆ Switch off, remove the plug from the socket and ensure that moving parts have stopped rotating before leaving the appliance unattended and before changing, cleaning or inspecting any parts of the appliance.

- ◆ When not in use, the appliance should be stored in a dry place. Children should not have access to stored appliances.

Inspection and repairs

- ◆ Before use, check the appliance for damaged or defective parts. Check for misalignment and seizure of moving parts, breakage of parts, damage to guards and switches and any other conditions that may affect its operation.
- ◆ Do not use the appliance if any part is damaged or defective. Do not use the appliance if the switch does not turn it on and off.
- ◆ Never use the appliance when any guard or enclosure is damaged or not in place.
- ◆ Ensure that the appliance will operate properly and perform its intended function.
- ◆ Have any damaged or defective parts repaired or replaced by an authorised repair agent.
- ◆ Before use, check the mains cable for signs of damage, ageing and wear.
- ◆ Do not use the appliance if the mains cable is damaged or defective.
- ◆ If the mains cable is damaged or defective it must be repaired by an authorised repair agent to avoid a hazard.
- ◆ Never attempt to remove or replace any parts other than those specified in this manual.

Additional safety instructions for lawn mowers

The following warning symbols are found on the appliance:



Wear safety glasses or goggles when operating this tool.



The blade will continue to run for a few seconds after switching the appliance off. Never attempt to force the blade to come to a standstill.



Keep people and animals at least 6 m away from the mowing area.



Do not expose the appliance to rain or high humidity.



Switch off, remove the plug from the socket and ensure that moving parts have stopped rotating before leaving the appliance unattended and before changing, cleaning or inspecting any parts of the appliance.

- ◆ Before using the appliance, check that the blade, blade nut and cutter assembly are not worn or damaged. Check that the blade nut is securely fastened.
- ◆ Check the grass bag for wear or damage and replace it if necessary. Never use the appliance without the grass bag.
- ◆ Before using the appliance, check that your mowing path is free from sticks, stones, wire and any other objects.
- ◆ Only use the appliance in the correct position, with the blade near the ground, as shown in the illustrations. Never switch the appliance on in any other position.
- ◆ Switch on the appliance only when hands and feet are away from the blade.
- ◆ Always use both hands to operate the appliance.
- ◆ When tilting the handle downwards to switch the appliance on, do not tilt it more than necessary. Make sure that you have both hands on the handle and that your feet are well away from the blade before returning the appliance to the ground.
- ◆ Avoid body contact with the blade while the appliance is running. Keep your hands and feet well away from the blade. Do not put your hands or feet near or under rotating parts.
- ◆ Walk, never run when using the appliance. Do not pull the appliance towards you or walk backwards when using the appliance.
- ◆ Do not work on steep slopes. Be sure of your footing. Be aware that freshly cut grass is damp and slippery.
- ◆ Take care when mowing near borders and gravel paths or roads, as stones and soil may be moved by the blade.
- ◆ Do not lift the appliance until the blade has come to a complete standstill.
- ◆ Take care to keep the mains cable away from the blade. Always be aware of the position of the cable.

- ◆ If the appliance starts to vibrate abnormally or if you hit a foreign object, switch the appliance off and remove the plug from the socket. Check for any damage to the appliance.
- ◆ Use only Black & Decker recommended spare parts and accessories.

ELECTRICAL SAFETY

The appliance has been designed for one voltage only. Always check that the power supply corresponds to the voltage on the rating plate.



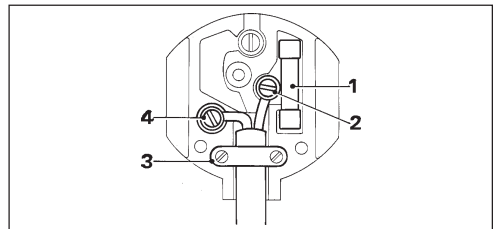
This appliance is designed for use on AC (mains) power supplies only. Do not attempt to use on any other supply.



This appliance is double insulated in accordance with EN 60335; therefore no earth wire is required.

- ◆ Prevent body contact with earthed or grounded surfaces (e.g. metal railings, lamp-posts etc.).
- ◆ Electric safety can be further improved by using a high-sensitivity (30 mA / 30 mS) residual current device (RCD).

Mains plug replacement (U.K. & Ireland only)



- ◆ Should your mains plug need replacing and you are competent to do this, proceed as instructed below. If you are in doubt, contact an authorised repair agent or a qualified electrician.
- ◆ Disconnect the plug from the supply and remove the fuse from the plug.
- ◆ Cut off the plug and dispose of it safely; a plug with bared copper conductors is dangerous if engaged in a live socket outlet.
- ◆ Only fit 13 Amperes BS1363A approved plugs fitted with the correctly rated fuse (1). Use 13 Amperes fuses.

- ◆ The cable wire colours, or a letter, will be marked at the connection points of most good quality plugs. Attach the wires to their respective points in the plug (see above). Brown is for Live (L) (2), blue is for Neutral (N) (4).
- ◆ Before replacing the top cover of the mains plug ensure that the cable restraint (3) is holding the outer sheath of the cable firmly and that the leads are correctly fixed at the terminal screws.
- ◆ If the plug has a fuse cover, make sure that the fuse cover is fitted. Do not use the plug if the fuse cover is missing or damaged.



Never use a light socket.

Using an extension cable

Always use an approved extension cable suitable for the power input of this appliance (see rating plate). The extension cable must be suitable for outdoor use.

- ◆ Before use, inspect the cable for signs of damage, wear and ageing. Replace the extension cable if damaged or defective.
- ◆ When using a cable reel, always unwind the cable completely.

OVERVIEW (fig. A)

1. On/off switch
2. Lock-off button
3. Switch box
4. Upper handle
5. Lower handle
6. Grass bag
7. Motor cover
8. Wheels

ASSEMBLY



Before assembly, make sure that the tool is switched off and unplugged.

Assembling the handle (fig. B)

- ◆ Fit the two lower handle parts (9) to the upper handle (4) using the screws (10) and nuts (11) as shown.

Fitting the handle (fig. C)

- ◆ Insert the ends of the lower handle (5) into the corresponding holes (12) in the mower.
- ◆ Press the handle down as far as it will go.
- ◆ Secure the handle using the screws (13).

Assembling and fitting the grass bag (fig. D1 - D4)

GR270/GR280/GR290

- ◆ Insert the frame (14) into the bag (15) as shown (fig. D1).
- ◆ Secure the frame into the clamping rims (16) using a spoon handle or a similar rounded tool (fig. D2). In order to facilitate assembly, work in the order indicated in fig. D3.
- ◆ Lift the flap (17) and place the metal frame of the grass bag into the slot (18) (fig. D4).

GR233

- ◆ Align the two halves of the grass bag.
- ◆ Press the two halves together.
- ◆ Clip the assembled grass bag onto the mower and let it click into place.

USE



Let the tool work at its own pace. Do not overload.

Adjusting the height of cut (fig. E)



Disconnect the appliance from the mains and wait until the blade has stopped rotating before proceeding.

The height of cut is adjusted by changing the height of the wheels.

- ◆ Release the wheels (8) by swivelling them out of the locked position.
- ◆ Set the wheels to the desired height setting.
- ◆ Swivel the wheels back into the locked position, making sure that all wheels are set to the same height.

Switching on and off (fig. F)

Switching on

- ◆ Hold the handle with both hands and tilt it slightly downwards to raise the front of the appliance.
- ◆ Keep the lock-off button (2) depressed and pull the on/off switch (1) towards you.
- ◆ Release the lock-off button.
- ◆ Let the appliance return to its working position.

Switching off

- ◆ To switch the appliance off, release the on/off switch.



Never attempt to lock a switch in the on position.

Mowing (fig. G & H)

We recommend to use your mower as outlined in this section in order to achieve optimum results and to reduce the risk of cutting the mains cable.

- ◆ Place the bulk of the mains cable on the lawn, close to the starting point (position 1 in fig. G).
- ◆ Switch the appliance on as described above.
- ◆ Proceed as shown in fig. G:
 - ◆ Move from position 1 to position 2.
 - ◆ Turn right and proceed towards position 3.
 - ◆ Turn left and move towards position 4.
- ◆ Repeat the above procedure as required.



Do not work towards the cable as shown in fig. H.

Emptying the grass bag

- ◆ When you see loose grass scattering from beneath the mower, empty the grass bag.



Never use the appliance without the grass bag.

Hints for optimum use

- ◆ If the grass is longer than approx. 10 cm, make two cuts to obtain a better finish. First mow at maximum height of cut, then use a low or medium height of cut.

- ◆ In order to achieve optimum results, only mow dry grass.

MAINTENANCE

Your Black & Decker tool has been designed to operate over a long period of time with a minimum of maintenance. Continuous satisfactory operation depends upon proper tool care and regular cleaning.



Before performing any maintenance, switch off and unplug the tool.

- ◆ Regularly use a blunt scraper to remove grass and dirt from the appliance.



Do not use any abrasive or solvent-based cleaner.

Blade maintenance

- ◆ Regularly remove grass and dirt from the blade.
- ◆ At the beginning of the gardening season, carefully examine the condition of the blade.
- ◆ If the blade is very blunt, sharpen or replace the blade.
- ◆ If the blade is damaged or worn, fit a new blade as described below.

Replacing the blade (fig. I)

A replacement blade is available from your Black & Decker dealer (cat. no. A6182).



- ◆ Disconnect the appliance from the mains and wait until the blade has stopped rotating before proceeding.
- ◆ Be careful not to cut yourself. Use heavy-duty gloves or a cloth to grip the blade.
- ◆ Only use the specified replacement blade.
- ◆ Do not remove the impeller (21) for any reason.

- ◆ Turn the appliance onto its side.
- ◆ Grip the blade (19) with one hand.
- ◆ Use the spanner supplied to loosen and remove the blade nut (20).
- ◆ Replace the blade.
- ◆ Refit the washer (if fitted before) and nut.
- ◆ Securely tighten the blade nut.

TROUBLESHOOTING

If your tool seems not to operate properly, follow the instructions below. If this does not solve the problem, please contact your local Black & Decker repair agent.



Before proceeding, unplug the tool.

Motor buzzes but blade does not move



Switch the appliance off and remove the plug from the socket.

- ◆ Carefully remove any obstructions from the blade.

No noise and blade does not move

- ◆ Check that the power cables are properly connected.
- ◆ Check the mains fuses.

PROTECTING THE ENVIRONMENT



Black & Decker provides a facility for recycling Black & Decker products once they have reached the end of their working life. This service is provided free of charge. To take advantage of this service please return your product to any authorised repair agent who will collect them on our behalf.

You can check the location of your nearest authorised repair agent by contacting your local Black & Decker office at the address indicated in this manual. Alternatively, a list of authorised Black & Decker repair agents and full details of our after-sales service and contacts are available on the Internet at: www.2helpU.com.

GUARANTEE

Black & Decker is confident of the quality of its products and offers an outstanding guarantee. This guarantee statement is in addition to and in no way prejudices your statutory rights. The guarantee is valid within the territories of the Member States of the European Union and the European Free Trade Area.

If a Black & Decker product becomes defective due to faulty materials, workmanship or lack of conformity, within 24 months from the date of purchase, Black & Decker guarantees to replace defective parts, repair products subjected to fair wear and tear or replace such products to ensure minimum inconvenience to the customer unless:

- ◆ The product has been used for trade, professional or hire purposes;
- ◆ The product has been subjected to misuse or neglect;
- ◆ The product has sustained damage through foreign objects, substances or accidents;
- ◆ Repairs have been attempted by persons other than authorised repair agents or Black & Decker service staff.

To claim on the guarantee, you will need to submit proof of purchase to the seller or an authorised repair agent. You can check the location of your nearest authorised repair agent by contacting your local Black & Decker office at the address indicated in this manual. Alternatively, a list of authorised Black & Decker repair agents and full details of our after-sales service and contacts are available on the Internet at: www.2helpU.com.

OTHER OUTDOOR TOOLS

Black & Decker has a full range of outdoor power tools that make life in the garden easy. If you would like further information on the following products, please contact our Service and Information Centre (see the address page towards the end of this manual) or your local Black & Decker retailer.

String trimmers
Chainsaws
Cordless shear
Hedgetrimmers
Lawnmowers
Lawnrakers
Leafbusters
Shredders

Not all products are available in all countries.

RASENMÄHER GR233/GR270/GR280/GR290

HERZLICHEN GLÜCKWUNSCH!


Sie haben sich für ein Gerät von Black & Decker entschieden. Wir möchten Qualitätsgeräte zu einem erschwinglichen Preis bieten. Wir hoffen, daß Sie dieses Gerät viele Jahre mit Freude verwenden werden.

EU-KONFORMITÄTSERKLÄRUNG

CE GR233/GR270/GR280/GR290
Black & Decker erklärt hiermit, daß diese Geräte entsprechend folgenden Richtlinien und Normen konzipiert wurden: 98/37/EWG, 89/336/EWG, 73/23/EWG, EN 55014, EN 60335, EN 61000, 2000/14/EWG, Rasenmäher, L ≤ 50 cm, Anhang VIII, No. 0086
B.S.I., HP2 4SQ, United Kingdom

Höhe des Schalldrucks, gemessen nach 2000/14/EWG:

L_{pA} (Schalldruck)	dB(A)	81
L_{WA} (Schalleistung)	dB(A)	95
L_{WA} (garantiert)	dB(A)	96

 Tragen Sie bei einem Schalldruck über 85 dB(A) einen Gehörschutz.

Gewichteter Effektivwert der Beschleunigung nach EN 50144:

< 2,5 m/s²



Kevin Hewitt

Director of Consumer Engineering
Spennymoor, County Durham DL16 6JG,
United Kingdom
4-2-2002

BESTIMMUNGSGEMÄSSE VERWENDUNG

Ihr Black & Decker Rasenmäher wurde zum Mähen von Rasen konstruiert.
Dieses Gerät ist nicht für den gewerblichen Einsatz vorgesehen.

SICHERHEITSHINWEISE

Warnsymbole

Folgende Warnsymbole werden in dieser Anleitung verwendet:



Verletzungsgefahr, Lebensgefahr oder mögliche Beschädigung des Geräts infolge der Nichtbeachtung der Anweisungen dieser Anleitung!



Gefahr eines elektrischen Schlages.



Lesen Sie vor der Inbetriebnahme die Anleitung.

Machen Sie sich mit Ihrem Gerät vertraut



- ◆ **Achtung!** Bei der Verwendung elektrischer Geräte sind zum Schutz gegen Feuergefahr, gegen elektrischen Schlag sowie gegen Körperverletzungen grundlegende Sicherheitsmaßnahmen einschließlich der folgenden Vorschriften zu beachten.
- ◆ Lesen Sie diese Anleitung gründlich durch, bevor Sie das Gerät verwenden.
- ◆ Informieren Sie sich vor der Inbetriebnahme, wie Sie das Gerät im Notfall ausschalten.

- ◆ Die bestimmungsgemäße Verwendung ist in dieser Bedienungsanleitung beschrieben. Das Verwenden anderer als der in dieser Anleitung empfohlenen Vorsatzgeräte und Zubehörteile oder die Ausführung von Arbeiten mit diesem Elektrowerkzeug, die nicht der bestimmungsgemäßen Verwendung entsprechen, kann zu Unfallgefahr führen.
- ◆ Bewahren Sie diese Anleitung auf.

Arbeitsbereich

- ◆ Setzen Sie das Gerät keinem Regen aus. Verwenden Sie das Gerät nicht in einer feuchten oder nassen Umgebung.
- ◆ Verwenden Sie das Gerät nur bei Tageslicht oder guter künstlicher Beleuchtung.

Schutzmaßnahmen

- ◆ Tragen Sie zum Schutz Ihrer Füße feste Schuhe oder Stiefel. Verwenden Sie das Gerät nicht barfuß oder mit offenen Sandalen.
- ◆ Tragen Sie zum Schutz Ihrer Beine lange Hosen.

Gebrauch des Gerätes

- ◆ Vergewissern Sie sich, daß das Gerät ausgeschaltet ist, wenn Sie es an die Stromversorgung anschließen.
- ◆ Seien Sie stets aufmerksam. Konzentrieren Sie sich auf Ihre Arbeit. Gehen Sie vernünftig vor.
- ◆ Verwenden Sie das Gerät nicht, wenn Sie müde sind.
- ◆ Falls das Gerät stark vibriert, schalten Sie es aus und ziehen Sie den Netzstecker. Lassen Sie rotierende Teile zum Stillstand kommen, und überprüfen Sie das Gerät auf Beschädigungen und lockere Teile.
- ◆ Benutzen Sie das Kabel nicht, um den Stecker aus der Steckdose zu ziehen. Schützen Sie das Kabel vor Hitze, Öl und scharfen Kanten.
- ◆ Falls das Netzkabel während des Gebrauchs beschädigt wird, schalten Sie das Gerät sofort aus und ziehen Sie den Netzstecker. Berühren Sie das Netzkabel nicht, bevor Sie den Netzstecker gezogen haben.

Sicherheit anderer Personen

- ◆ Untersagen Sie Kindern sowie Personen, die sich mit dem Inhalt dieser Anleitung nicht auskennen, die Verwendung dieses Geräts.
- ◆ Halten Sie Kinder, Besucher und Tiere dem Arbeitsbereich fern, und sorgen Sie dafür, daß Sie das Gerät und das Netzkabel nicht berühren.
- ◆ Denken Sie daran, daß der Benutzer für Unfälle und Schäden haftet.

Nach dem Gebrauch

- ◆ Schalten Sie das Gerät aus, ziehen Sie den Netzstecker und vergewissern Sie sich, daß rotierende Teile zum Stillstand gekommen sind, bevor Sie das Gerät unbeaufsichtigt zurücklassen und bevor Sie irgendwelche Teile des Gerätes austauschen, reinigen oder überprüfen.
- ◆ Unbenutzte Geräte sind an einem trockenen Ort aufzubewahren. Kinder sollten keinen Zugang zu aufbewahrten Geräten haben.

Inspektion und Reparaturen

- ◆ Überprüfen Sie das Gerät vor dem Gebrauch auf beschädigte oder defekte Teile. Überprüfen Sie, ob alle beweglichen Teile richtig montiert sind, ob keine Teile gebrochen sind, ob keine Schutzvorrichtungen und Schalter beschädigt sind, und ob irgendwelche andere Schäden den einwandfreien Betrieb des Gerätes beeinträchtigen könnten.
- ◆ Benutzen Sie das Gerät nicht, wenn irgendein Teil defekt ist. Verwenden Sie das Gerät nicht, wenn der Ein-/Ausschalter nicht funktioniert.
- ◆ Verwenden Sie das Gerät auf keinen Fall, wenn eine Schutzvorrichtung oder Abdeckung beschädigt ist bzw. fehlt.
- ◆ Vergewissern Sie sich, daß das Gerät ordnungsgemäß funktionieren wird.
- ◆ Lassen Sie defekte Teile immer von einer unserer Kundendienstwerkstätten reparieren oder austauschen.
- ◆ Überprüfen Sie vor dem Gebrauch das Netzkabel auf Beschädigung, Alterung und Verschleiß.
- ◆ Benutzen Sie das Gerät nicht, wenn das Netzkabel beschädigt oder defekt ist.

- ◆ Falls das Netzkabel beschädigt oder defekt ist, ist es von einer autorisierten Reparaturwerkstatt auszutauschen, um Gefahren vorzubeugen.
- ◆ Versuchen Sie nie, irgendwelche Teile zu entfernen oder auszutauschen, die nicht in der Anleitung beschrieben werden.

Zusätzliche Sicherheitsanweisungen für Rasenmäher

Das Gerät ist mit folgenden Symbolen versehen:



Tragen Sie bei der Verwendung dieses Geräts eine Schutzbrille!



Nach dem Ausschalten des Gerätes läuft das Messer noch einige Sekunden lang nach. Versuchen Sie nie, das Messer mit Gewalt zum Stillstand zu bringen.



Halten Sie Umstehende und Tiere dem Mähbereich mindestens 6 m fern.



Setzen Sie das Gerät keinem Regen oder hoher Feuchtigkeit aus.



Schalten Sie das Gerät aus, ziehen Sie den Netzstecker und vergewissern Sie sich, daß rotierende Teile zum Stillstand gekommen sind, bevor Sie das Gerät unbeaufsichtigt zurücklassen und bevor Sie irgendwelche Teile des Gerätes austauschen, reinigen oder überprüfen.

- ◆ Vergewissern Sie vor der Verwendung des Gerätes, daß das Messer, die Messermutter und Schneidevorrichtung nicht beschädigt sind. Vergewissern Sie sich, daß die Messermutter sicher angezogen ist.
- ◆ Überprüfen Sie den Grasfangsack auf Verschleiß und Beschädigung und erneuern Sie ihn gegebenenfalls. Verwenden Sie das Gerät nie ohne den Grasfangsack.
- ◆ Bevor Sie das Gerät verwenden, vergewissern Sie sich, daß der Mähbereich frei von Stöcken, Steinen, Draht und anderen Fremdkörpern ist.
- ◆ Verwenden Sie das Gerät nur in der korrekten Position, mit dem Messer nahe am Boden (siehe Abbildungen). Schalten Sie das Gerät nie ein, wenn es sich in einer anderen Position befindet.
- ◆ Schalten Sie das Gerät nicht ein, wenn sich Hände oder Füße im Bereich des Messers befinden.
- ◆ Verwenden Sie stets beide Hände, um das Gerät zu bedienen.
- ◆ Wenn Sie den Handgriff herunterneigen, um das Gerät einzuschalten, neigen Sie den Handgriff nicht mehr als erforderlich. Achten Sie darauf, daß sich beide Hände am Handgriff befinden und daß die Füße einen ausreichenden Sicherheitsabstand zum Messer haben, bevor Sie das Gerät zum Boden zurückführen.
- ◆ Berühren Sie nie das Messer, während das Gerät läuft. Halten Sie Ihre Hände und Füße ausreichend vom Messer fern. Bringen Sie Ihre Hände und Füße niemals in die Nähe der bzw. unter die rotierenden Teile.
- ◆ Verwenden Sie das Gerät ausschließlich im Schrittempo. Ziehen Sie das Gerät nicht zu Ihnen hin, und gehen Sie beim Gebrauch des Gerätes nicht rückwärts.
- ◆ Arbeiten Sie nicht auf steilen Hängen. Achten Sie auf einen sicheren Stand. Beachten Sie, daß frisch geschnittener Rasen feucht und rutschig ist.
- ◆ Gehen Sie beim Mähen entlang Rasenkanten sowie in der Nähe von Kiespfaden und -wegen vorsichtig vor, da Steine und Erde durch das Messer weggeschleudert werden können.
- ◆ Heben Sie das Gerät erst an, wenn das Messer vollkommen zum Stillstand gekommen sind.
- ◆ Halten Sie das Netzkabel vom Messer fern. Achten Sie immer auf die Position des Kabels.
- ◆ Falls das Gerät beginnt, stark zu vibrieren, oder falls Sie einen Fremdkörper berührt haben, schalten Sie das Gerät aus und ziehen Sie den Netzstecker. Überprüfen Sie, ob das Gerät in irgendeiner Weise beschädigt wurde.
- ◆ Verwenden Sie nur empfohlene Ersatzteile und Zubehör von Black & Decker.

ELEKTRISCHE SICHERHEIT

Das Gerät wurde für nur eine bestimmte Spannung konzipiert. Überprüfen Sie deswegen, ob die Netzspannung der auf dem Typenschild angegebenen Spannung entspricht.



Dieses Gerät wurde ausschließlich für Wechselstrombetrieb (Lichtnetz) ausgelegt. Versuchen Sie nicht, das Gerät mit einer anderen Stromversorgung zu betreiben.



Dieses Gerät ist gemäß EN 60335 doppelt isoliert; eine Erdleitung ist somit nicht erforderlich.



Bei Ersatz des Netzkabels achten Sie auf Verwendung des Schweizer Netzsteckers: Typ 11 für Geräte Klasse II (Doppelisolierung)

- ◆ Vermeiden Sie eine Berührung des Körpers mit geerdeten Gegenständen (z.B. Metallgeländer, Laternenpfähle usw.).
- ◆ Die elektrische Sicherheit läßt sich durch Verwendung eines Fehlerstrom-Schutzschalters (30 mA / 30 mS) weiter erhöhen.

Verlängerungskabel

Verwenden Sie nur zugelassene Verlängerungskabel, die sich für die Leistungsaufnahme des Geräts eignen (siehe Typenschild). Das Verlängerungskabel muß für den Einsatz im Freien geeignet sein.

- ◆ Überprüfen Sie vor dem Gebrauch das Netzkabel auf Beschädigung, Alterung und Verschleiß. Tauschen Sie ein beschädigtes oder defektes Verlängerungskabel aus.
- ◆ Rollen Sie das Kabel bei Verwendung einer Kabelrolle immer völlig aus.

GERÄTEBESCHREIBUNG (Abb. A)

1. Ein-/Aus-Schalter
2. Einschaltsperr
3. Schalterkasten
4. Handgriff-Oberteil
5. Handgriff-Unterteil
6. Grasfangsack
7. Motorabdeckung
8. Räder

MONTAGE



Vergewissern Sie sich vor der Montage, daß das Gerät ausgeschaltet ist und daß der Netzstecker gezogen wurde.

Montage des Handgriffs (Abb. B)

- ◆ Bringen Sie gemäß Abbildung die beiden Handgriff-Unterteile (9) unter Verwendung der Schrauben (10) und Muttern (11) am Handgriff-Oberteil (4) an.

Anbringen des Handgriffs (Abb. C)

- ◆ Setzen Sie die Enden des Handgriff-Unterteils (5) in ihre entsprechenden Löcher (12) im Rasenmäher ein.
- ◆ Drücken Sie den Handgriff so weit wie möglich nach unten.
- ◆ Sichern Sie den Handgriff mit Hilfe der Schrauben (13).

Montage und Anbringen des Grasfangsacks (Abb. D1 - D4)

GR270/GR280/GR290

- ◆ Setzen Sie den Rahmen (14) gemäß Abbildung in den Sack (15) ein (Abb. D1).
- ◆ Sichern Sie den Rahmen mit Hilfe eines Löffelstils oder eines ähnlichen abgerundeten Werkzeugs in den Klemmfelgen (16) (Abb. D2). Um die Montage zu ermöglichen, arbeiten Sie in der in Abb. D3 angegebenen Reihenfolge.
- ◆ Heben Sie die Klappe (17) an, und setzen Sie den Metallrahmen des Grasfangsacks in den Schlitz (18) ein (Abb. D4).

GR233

- ◆ Richten Sie die zwei Hälften des Grasfangsacks gegeneinander aus.
- ◆ Drücken Sie die beiden Hälften zusammen.
- ◆ Setzen Sie den montierten Grasfangsack auf den Rasenmäher, und lassen Sie ihn in seiner Lage einrasten.

GEBRAUCH



Beschleunigen Sie den Arbeitsvorgang nicht mit Gewalt. Vermeiden Sie eine Überlastung des Gerätes.

Einstellen der Schnitthöhe (Abb. E)



Trennen Sie das Gerät vom Netz, und warten Sie, bis das Messer zum Stillstand gekommen ist, bevor Sie fortfahren.

Die Schnitthöhe läßt sich durch Ändern der Radhöhe einstellen.

- ◆ Geben Sie die Räder (8) frei, indem Sie sie aus ihrer verriegelten Stellung herauschwenken.
- ◆ Stellen Sie die Räder auf die gewünschte Schnitthöhe ein.
- ◆ Schwenken Sie die Räder zurück in ihre verriegelte Stellung, und stellen Sie dabei sicher, daß alle Räder auf die gleiche Höhe eingestellt wurden.

Ein- und Ausschalten (Abb. F)

Einschalten

- ◆ Halten Sie den Handgriff mit beiden Händen fest, und drücken Sie ihn etwas nach unten, um die Vorderseite des Gerätes anzuheben.
- ◆ Halten Sie die Einschaltsperrleiste (2) gedrückt, und ziehen Sie den Ein-/Ausschalter (1) zu sich heran.
- ◆ Lassen Sie die Einschaltsperrleiste los.
- ◆ Senken Sie das Gerät wieder auf seine Ausgangsposition ab.

Ausschalten

- ◆ Um das Gerät auszuschalten, lassen Sie den Ein-/Ausschalter los.



Versuchen Sie nie, einen Schalter in eingeschaltetem Zustand zu verriegeln.

Mähen (Abb. G & H)

Wir empfehlen, den Rasenmäher gemäß der nachfolgenden Beschreibung zu verwenden, um ein optimales Arbeitsergebnis zu erzielen und die Gefahr eines Durchtrennens des Netzkabels zu vermeiden.

- ◆ Legen Sie das Netzkabel in der Nähe Ihrer Startposition auf den Rasen (Position 1 in Abb. G).
- ◆ Schalten Sie das Gerät wie oben beschrieben ein.
- ◆ Gehen Sie gemäß Abb. G vor:
 - ◆ Bewegen Sie sich von Position 1 zu Position 2.
 - ◆ Führen Sie eine Rechtsdrehung aus, und fahren Sie in Richtung Position 3 fort.
 - ◆ Führen Sie eine Linksdrehung aus, und bewegen Sie sich auf Position 4 zu.
- ◆ Wiederholen Sie die oben beschriebene Vorgehensweise wie erforderlich.



Arbeiten Sie nicht wie in Abb. H dargestellt in Richtung Kabel.

Leeren des Grasfangsacks

- ◆ Sobald Sie feststellen, daß sich unter dem Rasenmäher geschnittener Rasen verteilt, entleeren Sie den Grasfangsack.



Verwenden Sie das Gerät nie ohne den Grasfangsack.

Hinweise für optimale Arbeitsergebnisse

- ◆ Ist das Gras länger als ca. 10 cm, mähen Sie zweimal, um ein besseres Schnittergebnis zu erzielen. Mähen Sie zunächst mit maximaler Schnitthöhe, anschließend mit einer niedrigeren oder mittleren Schnitthöhe.
- ◆ Um optimale Ergebnisse zu erzielen, mähen Sie den Rasen nur in trockenem Zustand.

WARTUNG

Ihr Black & Decker Gerät wurde für eine lange Lebensdauer und einen möglichst geringen Wartungsaufwand entwickelt. Ein dauerhafter, einwandfreier Betrieb setzt eine regelmäßige Reinigung voraus.



Bevor Sie irgendwelche Wartungsarbeiten vornehmen, schalten Sie das Gerät aus und ziehen Sie den Netzstecker.

- ◆ Verwenden Sie regelmäßig einen stumpfen Schaber, um Gras und Schmutz vom Gerät zu entfernen.



Verwenden Sie keine scheuernden Reinigungsmittel oder Reinigungsmittel auf Lösungsmittelbasis.

Messerwartung

- ◆ Entfernen Sie regelmäßig Gras und Schmutz vom Messer.
- ◆ Überprüfen Sie zu Beginn der Gartensaison sorgfältig den Zustand des Messers.
- ◆ Ist das Messer sehr stumpf, schärfen bzw. erneuern Sie es.
- ◆ Ist das Messer beschädigt oder verschlissen, bringen Sie wie unten beschrieben ein neues Messer an.

Erneuerung des Messers (Abb. 1)

Ein Ersatzmesser erhalten Sie bei Ihrem Black & Decker Händler (Kat.-Nr. A6182).



- ◆ Trennen Sie das Gerät vom Netz, und warten Sie, bis das Messer zum Stillstand gekommen ist, bevor Sie fortfahren.
 - ◆ Seien Sie vorsichtig, damit Sie sich nicht schneiden. Verwenden Sie Arbeitshandschuhe oder einen Lappen, um das Messer zu greifen.
 - ◆ Verwenden Sie ausschließlich das angegebene Ersatzmesser.
 - ◆ Entfernen Sie nicht das Flügelrad (21).
-
- ◆ Legen Sie das Gerät auf die Seite.
 - ◆ Ergreifen Sie mit der einen Hand das Messer (19).
 - ◆ Verwenden Sie den mitgelieferten Schraubenschlüssel, um die Messermutter (20) zu lösen und zu entfernen.
 - ◆ Wechseln Sie das Messer aus.
 - ◆ Bringen Sie die Unterlegscheibe (falls vorher angebracht) und die Mutter wieder an.
 - ◆ Ziehen Sie die Messermutter sicher an.

STÖRUNGSBEHEBUNG

Falls Ihr Gerät nicht ordnungsgemäß funktioniert, befolgen Sie folgende Hinweise. Falls die Störung damit nicht behoben wird, wenden Sie sich bitte an den Black & Decker Kundendienst.



Bevor Sie die folgenden Schritte vornehmen, ziehen Sie den Netzstecker.

Der Motor brummt, das Messer bewegt sich jedoch nicht



Schalten Sie das Gerät aus, und ziehen Sie den Stecker aus der Steckdose.

- ◆ Entfernen Sie vorsichtig eventuelle Hindernisse vom Messer.

Es ist nichts zu hören, und das Messer bewegt sich nicht

- ◆ Überprüfen Sie, ob die Netzkabel ordnungsgemäß angeschlossen sind.
- ◆ Prüfen Sie die Netzsicherungen.

UMWELTSCHUTZ



Black & Decker nimmt Ihre ausgedienten Black & Decker Geräte gern zurück und sorgt für eine umweltfreundliche Entsorgung. Diese Dienstleistung ist für Sie kostenlos. Um diese Dienstleistung in Anspruch zu nehmen, geben Sie das Gerät bitte bei einer autorisierten Reparaturwerkstatt ab, die für uns die Einsammlung übernimmt.

Die Adresse des zuständigen Büros von Black & Decker finden Sie in dieser Anleitung, darüber läßt sich die nächstgelegene Vertragswerkstatt ermitteln. Außerdem ist eine Liste der Vertragswerkstätten und aller Kundendienststellen von Black & Decker sowie der zuständigen Ansprechpartner im Internet zu finden unter: www.2helpU.com.

GARANTIE

Black & Decker vertraut auf die Qualität der eigenen Geräte und bietet dem Käufer eine außergewöhnliche Garantie. Diese Garantiezusage versteht sich unbeschadet der gesetzlichen Gewährleistungsansprüche und schränkt diese keinesfalls ein. Sie gilt in sämtlichen Mitgliedsstaaten der Europäischen Union und der Europäischen Freihandelszone EFTA.

Tritt innerhalb von 24 Monaten ab Kaufdatum an einem Gerät von Black & Decker ein auf Material- oder Verarbeitungsfehler zurückzuführender Mangel auf, garantiert Black & Decker den Austausch defekter Teile, die Reparatur von Geräten mit üblichem Verschleiß bzw. den Austausch eines mangelhaften Geräts, ohne den Kunden dabei mehr als unbedingt nötig in Anspruch zu nehmen, allerdings vorbehaltlich folgender Ausnahmen:

- ◆ wenn das Gerät gewerblich, beruflich oder im Verleihgeschäft benutzt wurde;
- ◆ wenn das Gerät mißbräuchlich verwendet oder mit mangelnder Sorgfalt behandelt wurde;
- ◆ wenn das Gerät durch irgendwelche Fremdeinwirkung beschädigt wurde;
- ◆ wenn ein unbefugter Reparaturversuch durch anderes Personal als das einer Vertragswerkstatt oder des Black & Decker-Kundendienstes unternommen wurde.

Zur Inanspruchnahme dieser Garantie ist dem Verkäufer bzw. der Vertragswerkstatt ein Kaufnachweis vorzulegen. Der Kaufnachweis muß Kaufdatum und Gerätetyp bescheinigen. Die Adresse des zuständigen Büros von Black & Decker steht in dieser Anleitung, darüber läßt sich die nächstgelegene Vertragswerkstatt ermitteln. Außerdem ist eine Liste der Vertragswerkstätten und aller Kundendienststellen von Black & Decker sowie der zuständigen Ansprechpartner im Internet zu finden unter: **www.2helpU.com**.

WEITERE GARTENGERÄTE

Black & Decker bietet ein großes Sortiment an Gartengeräten an, die die Gartenarbeit erheblich erleichtern. Für nähere Informationen zu den folgenden Geräten wenden Sie sich bitte an den Black & Decker Kundendienst (Adresse hinten in dieser Anleitung) oder an Ihren Händler.

Rasentrimmer	Kettensägen
Akku-Strauchscheren	Akku-Grasscheren
Heckenscheren	Rasenmäher
Rasenlüfter	Laubsauger
Häcksler	

Nicht alle Produkte sind in allen Ländern erhältlich.

TONDEUSE GR233/GR270/GR280/GR290

FELICITATIONS !

Vous avez choisi un outil Black & Decker. Notre objectif est de vous fournir des outils de qualité au meilleur prix. Nous espérons que vous profiterez de cet outil pendant de longues années.

DECLARATION DE CONFORMITE CE

CE GR233/GR270/GR280/GR290
Black & Decker déclare que ces outils sont conformes aux normes:
98/37/CEE, 89/336/CEE, 73/23/CEE, EN 55014, EN 60335, EN 61000, 2000/14/CEE, tondeuse, L ≤ 50 cm, Annexe VIII, No. 0086
B.S.I., HP2 4SQ, Royaume Uni

Niveau de pression acoustique, mesuré suivant la norme 2000/14/CEE:

L_{pA} (pression acoustique)	dB(A)	81
L_{WA} (puissance acoustique)	dB(A)	95
L_{WA} (garanti)	dB(A)	96



Portez toujours des protections pour les oreilles (casque) lorsque le niveau de pression acoustique est supérieur à 85 dB(A).

Niveau de vibration main/bras selon la norme EN 50144:

< 2,5 m/s²

Kevin Hewitt
Directeur du Développement
Spennymoor, County Durham DL16 6JG,
Royaume-Uni
4-2-2002

UTILISATION PREVUE

Votre tondeuse de Black & Decker a été conçue pour tondre le gazon.

Cet outil a été conçu pour une utilisation exclusivement domestique.

INSTRUCTIONS DE SECURITE

Symboles de prévention

Les symboles suivants sont utilisés dans le présent manuel:



Risque de blessure, danger de mort ou risque de dégradation de l'outil en cas de non-respect des instructions du présent manuel.



Risque d'électrocution.



Lire le manuel avant d'utiliser l'outil.

Connaissez votre outil



- ◆ **Attention!** Lors de l'utilisation d'outils électriques, observez les consignes de sécurité élémentaires, y compris celles qui suivent afin de réduire les risques d'incendie, d'électrocution et de blessures.
- ◆ Lisez et observez attentivement les instructions avant d'utiliser l'appareil.
- ◆ Avant d'utiliser l'outil, assurez-vous de savoir comment mettre votre outil à l'arrêt en cas d'urgence.
- ◆ Le domaine d'utilisation de l'appareil est décrit dans le présent manuel. L'utilisation d'accessoires autres que ceux recommandés dans le présent manuel pourrait entraîner un risque de blessure.
- ◆ Conservez ces instructions à titre de référence.

Aire de travail

- ◆ N'exposez pas l'outil à la pluie. N'exposez pas l'outil à l'humidité.
- ◆ N'utilisez l'outil qu'à la lumière du jour ou sous un éclairage artificiel efficace.

Protection

- ◆ Portez des chaussures ou des bottes renforcées pour vous protéger les pieds. N'utilisez pas l'outil pied nus ou en ne portant que des sandales.
- ◆ Portez un pantalon long pour vous protéger les jambes.

Utilisation de l'appareil

- ◆ Assurez-vous que l'outil est en position d'arrêt avant de le brancher.
- ◆ Faites preuve de vigilance. Observez votre travail. Faites preuve de bon sens.
- ◆ N'employez pas l'outil en cas de fatigue.
- ◆ Si l'outil commence à vibrer de manière anormale, éteignez-le et débranchez-le. Attendez que les parties rotatives s'arrêtent et regardez si l'outil est endommagé ou si des pièces sont mal serrées.
- ◆ Ne tirez jamais sur le câble pour débrancher. Préservez le câble de la chaleur, de l'huile et des arêtes tranchantes.
- ◆ Si le câble est endommagé pendant l'utilisation de l'outil, éteignez-le et débranchez-le immédiatement. Ne touchez pas le câble avant d'avoir débranché l'outil.

Sécurité des tierces personnes

- ◆ Ne laissez jamais aucun enfant ou aucune personne non familiarisée avec ces instructions utiliser cet outil.
- ◆ Ne laissez pas les enfants, les visiteurs ou les animaux s'approcher de l'aire de travail ou toucher l'outil ou le câble d'alimentation.
- ◆ Souvenez-vous que l'utilisateur peut être tenu responsable de tout accident ou dommage subi par des tiers ou par des biens appartenant à des tiers.

Après utilisation

- ◆ Eteignez l'outil, débranchez-le et assurez-vous que les pièces rotatives ont cessé de tourner avant d'abandonner l'outil, ou avant de changer, de nettoyer ou d'inspecter une partie de l'outil.
- ◆ Rangez l'appareil dans un endroit sec. Ne laissez pas les enfants s'approcher des appareils, même quand ils sont rangés.

Vérifications et réparations

- ◆ Avant d'utiliser l'appareil, vérifiez qu'il n'est pas endommagé et qu'il n'y a pas de pièces défectueuses. Vérifiez l'alignement des pièces en mouvement, leur prise et toute rupture de pièces, tout dommage des protections et des interrupteurs et toute autre condition pouvant affecter le fonctionnement de l'outil.
- ◆ N'utilisez pas l'appareil si une pièce est endommagée ou défectueuse. N'utilisez pas l'outil si l'interrupteur marche/arrêt ne fonctionne pas.
- ◆ N'utilisez jamais l'outil si un carter ou un couvercle est endommagé ou n'est pas en place.
- ◆ Veillez à ce que l'outil fonctionne correctement et qu'il exécute les tâches pour lesquelles il est prévu.
- ◆ Faites réparer ou remplacer toute pièce endommagée par un réparateur agréé.
- ◆ Avant d'utiliser l'outil, vérifiez que le câble secteur n'est pas endommagé ni usé.
- ◆ N'utilisez pas l'outil si le câble est en mauvais état.
- ◆ Si le câble d'alimentation est endommagé, il doit être remplacé par un réparateur agréé pour éviter tout accident.
- ◆ N'essayez jamais d'enlever ou de changer des pièces autres que celles qui sont spécifiées dans ce manuel.

Instructions de sécurité supplémentaires pour tondeuses

Les symboles de prévention suivants sont indiqués sur l'outil :



Portez des lunettes de sécurité lorsque vous utilisez cet outil.



La lame continuera de fonctionner pendant quelques secondes après l'arrêt de l'outil. Ne tentez jamais de forcer sur les lames pour qu'elles s'arrêtent.



Les personnes et les animaux doivent se tenir à une distance d'au moins 6 m de la zone de coupe.



N'exposez pas l'outil à la pluie ou à l'humidité.



Éteignez l'outil, débranchez-le et assurez-vous que les pièces rotatives ont cessé de tourner avant d'abandonner l'outil, ou avant de changer, de nettoyer ou d'inspecter une partie de l'outil.

- ♦ Avant d'utiliser l'outil, vérifiez que la lame et l'écrou de fixation de la lame ne sont pas usés ou endommagés. Vérifiez que l'écrou de fixation de la lame est bien serré.
- ♦ Vérifiez que le sac de ramassage de l'herbe n'est ni usé ni endommagé et remplacez-le au besoin. N'utilisez jamais l'appareil sans le sac de ramassage.
- ♦ Avant d'utiliser l'outil, vérifiez qu'aucun bâton, fil de fer, pierre ou aucun autre obstacle n'obstrue la zone de coupe.
- ♦ Utilisez l'outil seulement en position correcte, en tenant la lame près du sol, comme l'indiquent les illustrations. N'allumez jamais l'outil dans une autre position.
- ♦ N'allumez l'outil que lorsque vos mains et vos pieds sont éloignés de la lame.
- ♦ Tenez toujours l'outil des deux mains lorsque vous l'utilisez.
- ♦ N'inclinez pas trop la poignée lorsque vous l'inclinez vers le bas pour allumer l'outil. Vérifiez que vos deux mains sont bien en place sur la poignée et que vos pieds ne se trouvent pas à proximité de la lame avant de reposer l'outil au sol.
- ♦ Ne touchez jamais la lame lorsque l'outil fonctionne. Tenez vos mains et vos pieds éloignées de la lame.

Ne mettez ni les mains ni les pieds à proximité ou au-dessous des pièces rotatives.

- ♦ Marchez mais ne courez jamais lorsque vous utilisez cet outil. Ne tirez pas l'outil vers vous et ne reculez pas lorsque vous utilisez l'outil.
- ♦ Ne travaillez pas sur un sol très pentu.
- ♦ Toujours tenir les deux pieds à terre et garder l'équilibre. Faites attention car l'herbe fraîchement coupée est humide et glissante.
- ♦ Prenez des précautions lorsque vous fauchez près de bordures ou de chemins ou routes avec des graviers, car la lame peut entraîner des projections de pierre ou de terre.
- ♦ Ne posez pas l'outil avant que la lame ne se soit complètement arrêtée.
- ♦ Veillez à ne pas laisser le câble à proximité de la lame. Surveillez toujours la position du câble.
- ♦ Si l'outil commence à vibrer de manière anormale ou si vous avez heurté un corps étranger, éteignez-le et débranchez-le. Vérifiez si l'outil a subi des dommages.
- ♦ Utilisez exclusivement des pièces de rechange et des accessoires de Black & Decker.

SECURITE ELECTRIQUE

L'outil a été conçu pour une seule tension. Vérifiez si la tension secteur correspond à la tension indiquée sur la plaque d'identification.



L'outil est conçu pour être utilisé avec une alimentation secteur AC (courant alternatif) uniquement. N'essayez pas d'utiliser l'outil avec un autre type d'alimentation.



Cet outil à double isolation est conforme à la norme EN 60335; un branchement à la terre n'est donc pas nécessaire.



Toujours utiliser la fiche prescrite lors du remplacement du câble d'alimentation. Type 11 pour la classe II - double isolation

- ♦ Evitez de toucher des surfaces reliées à la terre (p.e. grillages métalliques, lampadaires, etc.)
- ♦ Utilisez un interrupteur de protection contre les courants de court-circuits à haute sensibilité (30 mA / 30 mS) pour améliorer la sécurité électrique.

Câbles de rallonge

Utilisez toujours une rallonge adaptée à la puissance d'alimentation de cet outil (voir plaque d'identification). Le câble de rallonge doit être adapté pour le travail en extérieur.

- ◆ Avant d'utiliser l'outil, vérifiez que le câble n'est pas endommagé ni usé. Changez le câble de rallonge s'il est endommagé.
- ◆ En cas d'utilisation d'un dévidoir, déroulez toujours le câble complètement.

APERÇU (fig. A)

1. Interrupteur marche/arrêt
2. Bouton de verrouillage
3. Base de l'interrupteur
4. Poignée supérieure
5. Poignée inférieure
6. Sac de ramassage de l'herbe
7. Couvercle du moteur
8. Roues

ASSEMBLAGE



Avant l'assemblage, assurez-vous que l'outil est éteint et débranché.

Assemblage de la poignée (fig. B)

- ◆ Placez les deux parties de la poignée inférieure (9) sur la poignée supérieure (4) à l'aide des vis (10) et des écrous (11) comme indiqué.

Mise en place de la poignée (fig. C)

- ◆ Insérez les extrémités de la poignée inférieure (5) dans les orifices correspondants (12) de la tondeuse.
- ◆ Enfoncez la poignée aussi loin que possible.
- ◆ Fixez la poignée à l'aide des vis (13)

Montage et mise en place du sac de ramassage de l'herbe (fig. D1 - D4)

GR270/GR280/GR290

- ◆ Placez l'armature (14) dans le sac (15) comme illustré (fig. D1).
- ◆ Fixez l'armature à l'aide des rebords (16) en vous aidant de la queue d'une cuillère ou d'un autre outil arrondi (fig. D2).

Pour faciliter le montage, travaillez dans l'ordre illustré dans la fig. D3.

- ◆ Soulevez le rabat (17) et placez l'armature en métal du sac de ramassage dans l'encoche (18) (fig. D4).

GR233

- ◆ Aligned les deux moitiés du sac de ramassage.
- ◆ Enfoncez les deux moitiés l'une contre l'autre.
- ◆ Enfoncez le sac de ramassage monté sur la tondeuse et laissez-le en place.

UTILISATION



Laissez l'outil fonctionner à sa propre vitesse. Ne le surchargez pas.

Réglage de la hauteur de coupe (fig. E)



Débranchez l'outil et attendez que la lame ait complètement arrêté de tourner avant de régler la coupe.

Pour régler la hauteur de coupe, modifiez la hauteur des roues.

- ◆ Dévissez les roues (8) en les faisant tourner.
- ◆ Placez les roues à la hauteur de coupe souhaitée.
- ◆ Remplacez les roues en position verrouillée, en vous assurant qu'elles sont bien toutes à la même hauteur.

Démarrage et arrêt (fig. F)

Démarrage

- ◆ Tenez la poignée des deux mains et inclinez-la doucement vers l'avant pour soulever l'avant de l'outil.
- ◆ Enfoncez le bouton de blocage (2) et enfoncez l'interrupteur de mise en marche (1) vers vous.
- ◆ Relâchez le bouton de blocage.
- ◆ Attendez que l'outil soit revenu à sa position de travail.

Arrêt

- ◆ Pour éteindre l'outil, relâchez l'interrupteur marche/arrêt.



N'essayez jamais de bloquer l'interrupteur en position de marche.

Tonte (fig. G & H)

Il est conseillé d'utiliser votre tondeuse comme indiqué dans cette section pour obtenir des résultats optimum et pour réduire le risque de couper le cordon électrique.

- ◆ Posez les cordons électriques sur le gazon, à côté de votre point de départ (position 1 dans fig. G)
- ◆ Allumez l'outil comme indiqué ci-dessus.
- ◆ Travaillez comme indiqué sur la fig. G.
 - ◆ Passez de la position 1 à la position 2.
 - ◆ Tournez à droite et allez vers la position 3.
 - ◆ Tournez à gauche et allez vers la position 4.
- ◆ Répétez au besoin l'opération décrite ci-dessus.



Ne travaillez pas en direction du cordon électrique comme indiqué dans la fig. H.

Comment vider le sac de ramassage de l'herbe.

- ◆ Si vous voyez de l'herbe coupée s'échapper du dessous de la tondeuse, videz le sac de ramassage.



N'utilisez jamais l'appareil sans le sac de ramassage.

Conseils pour une utilisation optimale

- ◆ Si l'herbe mesure plus de 10 cm. environ, tondez-la à deux reprises pour obtenir une meilleure finition. Tondez d'abord à la hauteur maximale de coupe, puis utilisez une hauteur de coupe minimale ou moyenne.
- ◆ Pour des résultats de coupe optimaux, ne coupez que de l'herbe sèche.

ENTRETIEN

Votre outil Black & Decker a été conçu pour fonctionner durablement avec un minimum d'entretien. Un fonctionnement continu satisfaisant dépend d'un nettoyage régulier et d'un entretien de l'outil approprié.



Avant d'effectuer tout entretien, éteignez et débranchez l'outil.

- ◆ Utilisez régulièrement un grattoir pour enlever toutes les saletés et l'herbe accumulées sous l'outil.



N'utilisez pas de produit abrasif ou à base de solvant.

Entretien de la lame.

- ◆ Enlevez fréquemment toutes les saletés ou l'herbe déposées sur la lame.
- ◆ Au début de la saison de jardinage, vérifiez soigneusement l'état de la lame.
- ◆ Si la lame est très émoussée, aiguisiez-la ou remplacez-le.
- ◆ Si la lame est endommagée ou usée, installez une nouvelle lame comme indiqué ci-dessous.

Remplacement de la lame (fig. I)

Vous pouvez vous procurer une lame de remplacement auprès des détaillants Black & Decker (cat. no A6182).



- ◆ Débranchez l'outil et attendez que la lame ait complètement arrêté de tourner avant de régler la coupe.
- ◆ Prenez garde de ne pas vous couper. Utilisez des gants de sécurité ou un chiffon pour vous saisir de la lame.
- ◆ N'utilisez que le type de lame de rechange indiqué.
- ◆ N'enlevez jamais la roue (21).

- ◆ Posez l'outil sur le côté.
- ◆ Saisissez la lame (19) d'une main.
- ◆ Utilisez la clé fournie pour dévisser et enlevez l'écrou de la lame (20).
- ◆ Remplacez la lame.
- ◆ Remplacez la rondelle (si vous l'avez installée) auparavant et l'écrou.
- ◆ Fixez correctement l'écrou de la lame.

DEPANNAGE

Si votre outil ne semble pas fonctionner correctement, suivez les instructions ci-dessous. Si elles ne vous sont d'aucune aide pour résoudre le problème, contactez votre service de réparation local Black & Decker.



Avant de commencer, débranchez l'outil.

Le moteur ronronne mais la lame ne bouge pas



Eteignez l'outil et débranchez-le.

- ◆ Retirez avec soin tous les corps étrangers qui peuvent gêner la lame.

Aucun bruit, la lame ne bouge pas

- ◆ Assurez-vous que tous les câbles électriques sont bien branchés.
- ◆ Vérifiez les fusibles du secteur.

PROTECTION DE L'ENVIRONNEMENT



Black & Decker fournit un dispositif permettant de recycler les produits Black & Decker lorsqu'ils ont atteint la fin de leur cycle de vie. Ce service est gratuit. Pour pouvoir profiter de ce service, veuillez retourner votre produit à un réparateur agréé qui se chargera de le collecter pour nous.

Pour connaître l'adresse du réparateur agréé le plus proche de chez vous, contactez le bureau Black & Decker à l'adresse indiquée dans ce manuel. Vous pourrez aussi trouver une liste des réparateurs agréés de Black & Decker et de plus amples détails sur notre service après-vente sur le site Internet à l'adresse suivante : www.2helpU.com.

GARANTIE

Black & Decker est confiant dans la qualité de ses produits et vous offre une garantie très étendue.

Ce certificat de garantie est un document supplémentaire et ne peut en aucun cas se substituer à vos droits légaux. La garantie est valable sur tout le territoire des Etats Membres de l'Union Européenne et de la Zone de Libre Echange Européenne.

Si un produit Black & Decker s'avère défectueux en raison de matériaux en mauvaises conditions, d'une erreur humaine, ou d'un manque de conformité dans les 24 mois suivant la date d'achat, Black & Decker garantit le remplacement des pièces défectueuses, la réparation des produits usés ou cassés ou remplace ces produits à la convenance du client, sauf dans les circonstances suivantes :

- ◆ Le produit a été utilisé dans un but commercial, professionnel, ou a été loué.
- ◆ Le produit a été mal utilisé ou avec négligence.
- ◆ Le produit a subi des dommages à cause d'objets étrangers, de substances ou à cause d'accidents.
- ◆ Des réparations ont été tentées par des techniciens ne faisant pas partie du service technique de Black & Decker.

Pour avoir recours à la garantie, il est nécessaire de fournir une preuve d'achat au vendeur ou à un réparateur agréé. Pour connaître l'adresse du réparateur agréé le plus proche de chez vous, contactez le bureau Black & Decker à l'adresse indiquée dans ce manuel. Vous pourrez aussi trouver une liste des réparateurs agréés de Black & Decker et de plus amples détails sur notre service après-vente sur le site Internet à l'adresse suivante : www.2helpU.com.

AUTRES OUTILS DE JARDINAGE

Black & Decker propose une gamme complète d'outils de jardinage facilitant l'entretien du jardin. Si vous souhaitez obtenir de plus amples renseignements sur les produits suivants, veuillez contacter notre Centre de Service et d'Information (voir la page d'adresse à la fin de ce manuel) ou vous adresser à votre revendeur Black & Decker le plus proche.

Tronçonneuses
Cisaille à gazon sans fil
Coupes bordures
Tailles-haies à fil ou sans fil
Tondeuses
Aspirateur / souffleur / broyeur
Broyeurs
Aérateur Démousseur

Tous les produits ne sont pas disponibles dans tous les pays.

TOSAERBA GR233/GR270/GR280/GR290

CONGRATULAZIONI!


Lei ha scelto un utensile Black & Decker. Il nostro obiettivo è fornire utensili di qualità ad un prezzo contenuto. Desideriamo che questo utensile sia di suo gradimento e lo possa usare per molti anni.

DICHIARAZIONE CE DI CONFORMITÀ

CE GR233/GR270/GR280/GR290
Black & Decker dichiara che questi utensili sono stati costruiti in conformità a: 98/37/CEE, 89/336/CEE, 73/23/CEE, EN 55014, EN 60335, EN 61000, 2000/14/CEE, tosaerba, L ≤ 50 cm, Annex VIII, No. 0086
B.S.I., HP2 4SQ, Regno Unito

Livello di rumorosità, dati ricavati in base alla norma 2000/14/CEE:

L_{pA} (rumorosità)	dB(A)	81
L_{WA} (potenza sonora)	dB(A)	95
L_{WA} (garantito)	dB(A)	96

 Prendere appropriate misure a protezione dell'udito qualora il livello acustico superasse gli 85 dB(A).

Il valore medio quadratico ponderato dell'accelerazione secondo EN 50144:

< 2,5 m/s²



Kevin Hewitt
Direttore di Ricerca e Sviluppo
Spennymoor, County Durham DL16 6JG,
United Kingdom
4-2-2002

USO PROGETTATO

Il tosaerba Black & Decker è stato progettato specificamente per la falciare l'erba. L'utensile è stato progettato per un uso individuale.

ISTRUZIONI DI SICUREZZA

Simboli di sicurezza

I seguenti simboli vengono usati nel presente manuale:



Indica rischio di infortunio, pericolo di morte o danno all'apparecchio qualora non ci si attenga alle istruzioni contenute nel presente manuale.



Indica pericolo di scossa elettrica.



Leggere attentamente il manuale prima di utilizzare l'utensile.

Informazioni sulla macchina



- ◆ **Attenzione!** Quando s'impiegano utensili alimentati elettricamente, per ridurre il rischio di incendi, scosse elettriche e infortuni occorre seguire sempre delle precauzioni di sicurezza di base, fra cui le seguenti:
 - ◆ Prima di adoperare la macchina, leggere attentamente le istruzioni di questo manuale;
 - ◆ Prima di mettere in funzione la macchina, apprendere le procedure di spegnimento in caso di emergenza;
 - ◆ L'uso previsto è quello descritto in questo manuale. L'uso di accessori o attrezzature diversi o l'impiego della presente macchina per scopi diversi da quelli indicati nel presente manuale d'uso comportano il rischio di infortuni;
 - ◆ Conservare questo manuale di istruzioni per successive consultazioni.

Area di lavoro

- ◆ Non esporre la macchina all'azione della pioggia. Non usare la macchina in presenza di umidità.
- ◆ Usare la macchina solo alla luce naturale oppure con una buona illuminazione artificiale.

Protezione personale

- ◆ Indossare scarpe robuste o scarponi per proteggere i piedi. Non azionare la macchina se si indossano sandali aperti o a piedi scalzi.
- ◆ Indossare pantaloni a gamba lunga per proteggere le gambe.

Uso dell'utensile

- ◆ Prima di collegare la macchina alla presa, verificare che sia spenta.
- ◆ Essere sempre vigili. Prestare attenzione a quanto si sta facendo e fare uso di buon senso.
- ◆ Non utilizzare la macchina quando si è stanchi.
- ◆ Se la macchina inizia a vibrare in modo anomalo, spegnerla ed estrarre la spina dalla presa. Attendere che le parti rotanti si fermino e ispezionarla per rilevare eventuali danni o parti allentate.
- ◆ Non tirare mai il cavo per estrarlo dalla presa. Mantenere il cavo lontano da fonti di calore, olio e spigoli taglienti.
- ◆ Se il cavo di alimentazione è stato danneggiato durante l'uso, spegnere la macchina ed estrarre immediatamente la spina dalla rete di alimentazione. Non toccare il cavo di alimentazione prima di scollegarlo dall'alimentatore.

Sicurezza altrui

- ◆ Vietare l'uso della macchina ai bambini e agli adulti che non hanno letto il presente manuale d'istruzioni.
- ◆ Non permettere a bambini, altre persone o animali di avvicinarsi alla zona di lavoro, toccare la macchina o il cavo di alimentazione.
- ◆ Ricordare che l'operatore è responsabile dell'esposizione di altre persone o della loro proprietà a eventuali pericoli o incidenti.

Dopo l'uso

- ◆ Spegnerla la macchina, estrarre la spina dalla presa e verificare che le parti mobili si siano bloccate prima di lasciare la macchina incustodita e prima di sostituirla, pulirla o ispezionarne qualsiasi componente.
- ◆ Quando non è in funzione, la macchina deve essere riposta in un luogo asciutto e non accessibile ai bambini.

Ispezione e riparazioni

- ◆ Prima dell'uso, verificare che non vi siano componenti danneggiati o difettosi. Controllare se ci sono parti non allineate o parti mobili con gioco, componenti rotti, danni alle protezioni o agli interruttori e qualsiasi altra condizione che possa incidere sul funzionamento della macchina.
- ◆ Non usare la macchina se alcuni suoi componenti sono danneggiati o difettosi e se non è possibile accenderla e spegnerla mediante l'interruttore.
- ◆ Non usare mai la macchina se una protezione o una copertura sono danneggiate o mancano.
- ◆ Accertare che la macchina funzioni come previsto e che venga impiegata per lo scopo per cui è stato progettata.
- ◆ Eventuali elementi difettosi o danneggiati devono essere sostituiti o riparati da un tecnico autorizzato.
- ◆ Prima dell'uso, controllare il cavo di alimentazione per rilevare eventuali segni di danni, invecchiamento e usura.
- ◆ Non usare la macchina se il cavo di alimentazione è danneggiato o difettoso.
- ◆ Se il cavo di alimentazione è danneggiato, per evitare situazioni pericolose è necessario affidare la sostituzione a un tecnico autorizzato.
- ◆ Non tentare mai di smontare o sostituire componenti diversi da quelli indicati nel presente manuale.

Ulteriori istruzioni di sicurezza per i tosaerba

Sulla macchina sono visibili i seguenti simboli di avvertenza:



Indossate sempre occhiali di protezione quando fate funzionare questo utensile.



La lama continuerà a girare per alcuni secondi dopo che la macchina è stata spenta. Non cercare mai di fermare la lama.



Non consentire a persone o animali di avvicinarsi a meno di 6 m. dall'area di falciatura.



Non esporre la macchina alla pioggia o a condizioni di alta umidità.



Spegnere la macchina, estrarre la spina dalla presa e verificare che le parti mobili si siano bloccate prima di lasciare la macchina incustodita e prima di sostituirla, pulirla o ispezionarne qualsiasi componente.

- ◆ Prima di utilizzare la macchina, controllare che la lama e il complessivo dado della lama più coltello non siano usurati o danneggiati. Controllare che il dado della lama sia ben saldo.
- ◆ Controllare il sacchetto portaerba per verificare che non sia danneggiato o usurato e sostituirlo in caso di necessità. Non usare mai la macchina senza il sacchetto portaerba.
- ◆ Prima di usare la macchina, verificare che il percorso da falciare non sia ingombro di rametti, pietre, fili e qualsiasi altro ostacolo.
- ◆ Adoperare la macchina soltanto nella posizione corretta, con la lama vicina al suolo, come mostrano le illustrazioni. Non accendere mai la macchina in un'altra posizione.
- ◆ Accendere la macchina solo quando mani e piedi sono lontani dalla lama.
- ◆ Utilizzare sempre entrambe le mani per manovrare la macchina.
- ◆ Quando per accendere la macchina s'inclina verso il basso il manico, non inclinarlo più del necessario. Prima di riportare a terra la macchina, accertare sempre di avere entrambe le mani sul manico e i piedi ben distanti dalla lama.
- ◆ Non toccare mai il filo di taglio mentre la macchina è in funzione. Mani e piedi devono essere ben lontani dalla lama. Non mettere le mani o i piedi vicino o sotto le parti rotanti.
- ◆ La macchina deve essere utilizzata camminando, mai correndo.

Non tirare la macchina verso di sé né utilizzarla camminando all'indietro.

- ◆ Non lavorare su pendenze ripide. Fare attenzione ai piedi. Ricordare sempre che l'erba appena tagliata è umida e scivolosa.
- ◆ Fare attenzione quando si falcia l'erba in prossimità di bordi e strade o percorsi di ghiaietto in quanto la lama può sollevare pietre e terra.
- ◆ Non sollevare la macchina fino a che la lama non si è completamente fermata.
- ◆ Attenzione a tenere il cavo dell'alimentazione lontano dalla lama. Tenere sempre sotto controllo la posizione del cavo.
- ◆ Se la macchina inizia a vibrare in modo anomalo, oppure se urta un oggetto estraneo, spegnerla ed estrarre la spina dalla presa. Controllare che la macchina non abbia subito danni.
- ◆ Usare esclusivamente pezzi di ricambio e accessori Black & Decker.

SICUREZZA ELETTRICA

L'utensile è predisposto per essere alimentato con una specifica tensione. Controllare sempre che la tensione di alimentazione corrisponda a quella indicata sulla targhetta.



Questo utensile è predisposto esclusivamente per l'alimentazione (di rete) CA. Non tentare di usarlo con alimentazioni diverse.



L'utensile è fornito di doppio isolamento, in ottemperanza alla norma EN 60335, per la quale non è richiesta la messa a terra.



Per la sostituzione del cavo di alimentazione, utilizzate sempre la spina di tipo prescritto. Tipo 11 per la classe II - doppio isolamento

- ◆ Evitare il contatto con le superfici messe a terra (ad esempio guide metalliche, steli di lampade ecc.).
- ◆ La sicurezza elettrica può essere ulteriormente ampliata utilizzando un dispositivo a corrente residua (RCD) ad alta sensibilità (30 mA / 30 mS).

Impiego di una prolunga

Adoperare sempre una prolunga di tipo omologato, adeguata alla potenza assorbita dell'utensile (v. targhetta). La prolunga deve essere idonea per l'uso in esterno.

- ◆ Prima dell'uso, controllare il cavo per rilevare eventuali segni di danni, invecchiamento e usura. Una prolunga danneggiata o difettosa va sempre sostituita.
- ◆ Se si utilizza un avvolgitore, estrarre il cavo per l'intera lunghezza.

L'INSIEME (fig. A)

1. Interruttore acceso/spento
2. Pulsante di sblocco
3. Cassetta dell'interruttore
4. Manico superiore
5. Manico inferiore
6. Sacchetto portaerba
7. Carter del motore
8. Ruote

MONTAGGIO

Prima di montarlo assicuratevi che l'utensile sia spento e desinserito.

Montaggio del manico (fig. B)

- ◆ Fissare i due componenti del manico inferiore (9) al manico superiore (4), usando le viti (10) e i dadi (11), come illustrato.

Montaggio del manico (fig. C)

- ◆ Inserire le estremità del manico inferiore (5) nei corrispondenti fori (12) del tosaerba.
- ◆ Spingere in basso il manico per quanto possibile.
- ◆ Fissare il manico con le viti (13).

Montaggio e installazione del sacchetto portaerba (fig. D1 - D4)**GR270/GR280/GR290**

- ◆ Inserire il telaio (14) nel sacchetto (15), come illustrato (fig. D1).
- ◆ Fissare il telaio nella cornice di fissaggio (16) usando il gambo di un cucchiaino o un attrezzo arrotondato dello stesso tipo (fig. D2).

Per semplificare il montaggio, attenersi alla sequenza indicata nella fig. D3.

- ◆ Sollevare il piano incernierato (17) e collocare il telaio metallico del sacchetto portaerba nella fessura (18) (fig. D4).

GR233

- ◆ Allineare le due metà del sacchetto portaerba.
- ◆ Premere assieme le due metà.
- ◆ Fissare al tosaerba il sacchetto portaerba assemblato e lasciarlo andare in posizione.

IMPIEGO

Lasciate che l'utensile lavori al proprio ritmo. Non sovraccaricarlo.

Regolazione dell'altezza di taglio (fig. E)

Scollegare la macchina dall'alimentazione e prima di continuare attendere che la lama si arresti.

L'altezza del taglio si regola modificando l'altezza delle ruote.

- ◆ Per liberare le ruote (8), ruotarle fino a che si sbloccano.
- ◆ Mettere le ruote all'altezza di taglio desiderata.
- ◆ Ruotare di nuovo le ruote fino a metterle in posizione di bloccaggio, verificando che siano tutte alla stessa altezza.

Avviamento e spegnimento (fig. F)**Accensione**

- ◆ Mantenere il manico con entrambe le mani e inclinarlo leggermente in basso, per sollevare il muso della macchina.
- ◆ Tenere premuto il pulsante di sblocco (2) e tirare verso di sé l'interruttore on/off (1).
- ◆ Rilasciare il pulsante di sblocco.
- ◆ Lasciare ritornare la macchina in posizione da lavoro.

Spegnimento

- ◆ Per spegnere l'utensile, rilasciare l'interruttore on/off.



Non tentare mai di bloccare l'interruttore in posizione di accensione.

Falciatura (fig. G & H)

Si suggerisce di utilizzare il tosaerba come descritto in questa sezione per ottenere risultati ottimali e ridurre il rischio di tagliare il cavo di alimentazione.

- ◆ Collocare la massa del cavo di alimentazione sul prato, vicino al punto d'inizio (posizione 1 nella fig. G).
- ◆ Accendere la macchina come descritto sopra.
- ◆ Procedere come illustrato nella fig. G.
 - ◆ Passare dalla posizione 1 alla posizione 2.
 - ◆ Girare a destra e procedere verso la posizione 3.
 - ◆ Girare a sinistra e procedere verso la posizione 4.
- ◆ Ripetere la procedura precedente in base a necessità.



Non camminare in direzione del cavo, come mostra la fig. H.

Svuotamento del sacchetto raccogliherba

- ◆ Quando l'erba falciata si sparpaglia sotto il tosaerba, svuotare il sacchetto.



Non usare mai la macchina senza il sacchetto portaerba.

Consigli per un'ottima utilizzazione

- ◆ Se l'erba è alta oltre 10 cm circa, per ottenere un risultato migliore è opportuno falciarla due volte. Prima tagliarla all'altezza massima e poi utilizzare un'altezza di taglio media o bassa.
- ◆ Per ottenere risultati ottimali, tosare soltanto erba secca.

MANUTENZIONE

Il vostro utensile Black & Decker é stato progettato per funzionare durante un lungo periodo di tempo con un minimo di manutenzione. Il funzionamento continuo e soddisfacente dipende dall'adeguata cura dell'utensile e da pulizie sistematiche.



Prima di eseguire qualsiasi manutenzione, spengete l'utensile e disinseritelo dalla spina.

- ◆ Usare regolarmente un raschietto senza punta per eliminare erba e sporcizia dal tosaerba.



Non usare materiali abrasivi o detergenti a base di solventi.

Manutenzione della lama

- ◆ Eliminare regolarmente sporcizia ed erba dalla lama.
- ◆ All'inizio della stagione di giardinaggio, esaminare con attenzione la condizione delle lame.
- ◆ Se la lama è molto smussata, affilarla oppure sostituirla.
- ◆ Se la lama è danneggiata o usurata, installarne una nuova, in base alla procedura descritta di seguito.

Sostituzione della lama (fig. I)

Le lame di ricambio sono disponibili presso il concessionario Black & Decker (cat. n. A6182).



- ◆ Scollegare la macchina dall'alimentazione e prima di continuare attendere che la lama si arresti.
- ◆ Attenzione a non tagliarsi. Per afferrare la lama, indossare guanti pesanti oppure utilizzare un panno.
- ◆ Adoperare esclusivamente la lama di ricambio specificata.
- ◆ Non rimuovere per alcun motivo la girante (21).

- ◆ Girare la macchina su di un lato.
- ◆ Afferrare la lama (19) con una mano.
- ◆ Allentare ed estrarre il dado della lama (20) utilizzando la chiave in corredo.
- ◆ Sostituire la lama.
- ◆ Reinstallare la rondella (se già presente) e il dado.
- ◆ Fissare saldamente il dado della lama.

SOLUZIONI AI PROBLEMI DI FUNZIONAMENTO

Se l'utensile non sembra funzionare correttamente, procedere come segue. Se il problema persiste, contattare il servizio di assistenza tecnica della Black & Decker.



Prima di procedere, estrarre la spina dalla presa di alimentazione.

Il motore ronza, ma la lama resta immobile.



Spegnere la macchina e disinserire la spina dalla presa.

- ◆ Eliminare con cura eventuali ostacoli che bloccano la lama.

Nessun rumore e la lama resta immobile

- ◆ Controllare che i cavi di alimentazione siano collegati correttamente.
- ◆ Controllare i fusibili principali.

PROTEZIONE DELL'AMBIENTE



Black & Decker offre ai suoi clienti la possibilità di riciclare i prodotti Black & Decker che hanno esaurito la loro vita di servizio. Il servizio viene offerto gratuitamente. Per utilizzarlo, è sufficiente restituire il prodotto a qualsiasi tecnico autorizzato, incaricato della raccolta per conto dell'azienda.

Per individuare il tecnico autorizzato più vicino, rivolgersi alla sede Black & Decker locale, presso il recapito indicato nel presente manuale.

Altrimenti un elenco completo di tutti i tecnici autorizzati Black & Decker e i dettagli completi sui contatti e i servizi post-vendita sono disponibili su Internet presso: **www.2helpU.com**.

GARANZIA

Certa della qualità dei suoi prodotti, Black & Decker offre una garanzia eccezionale. Il presente certificato di garanzia è complementare ai diritti statutari e non li pregiudica in alcun modo.

La garanzia è valida entro il territorio degli Stati membri dell'Unione Europea e dell'EFTA (European Free Trade Area).

Se un prodotto Black & Decker risulta difettoso per qualità del materiale, della costruzione o per mancata conformità entro 24 mesi dalla data di acquisto, Black & Decker garantisce la sostituzione delle parti difettose, provvede alla riparazione dei prodotti se ragionevolmente usurati oppure alla loro sostituzione, in modo da ridurre al minimo il disagio del cliente a meno che:

- ◆ Il prodotto non sia stato destinato ad usi commerciali, professionali o al noleggio;
- ◆ Il prodotto non sia stato usato in modo improprio o scorretto;
- ◆ Il prodotto non abbia subito danni causati da oggetti o sostanze estranee oppure incidenti;
- ◆ Il prodotto non abbia subito tentativi di riparazione non effettuati da tecnici autorizzati né dall'assistenza Black & Decker.

Per attivare la garanzia è necessario esibire la prova comprovante l'acquisto al venditore o al tecnico autorizzato. Per individuare il tecnico autorizzato più vicino, rivolgersi alla sede Black & Decker locale, presso il recapito indicato nel presente manuale. Altrimenti un elenco completo di tutti i tecnici autorizzati Black & Decker e i dettagli completi sui contatti e i servizi post-vendita sono disponibili su Internet presso: **www.2helpU.com**.

ALTRI UTENSILI DI GIARDINAGGIO

La Black & Decker ha una gamma completa di utensili per il giardinaggio che rende semplice la vita in giardino. Se desiderate ulteriori informazioni sui seguenti prodotti, vi preghiamo di contattare il nostro Centro D'Informazione e Manutenzione (vedere la pagina degli indirizzi alla fine di questo libretto d'istruzioni) od il vostro rivenditore Black & Decker

Tosatori a lame o a catena	Tosasiepi
Motoseghe	Tosaerba
Scope elettriche	Rastrelli
Tosasiepi a batteria	Sramatori
Tagliasiepi a batteria	Biotrituratori

Non tutti i prodotti sono disponibili in tutti i paesi.

GRASMAAIER GR233/GR270/GR280/GR290

GEFELICITEERD!


U heeft gekozen voor een machine van Black & Decker. Ons doel is om kwaliteitsproducten te leveren tegen een betaalbare prijs. Wij vertrouwen erop dat u aan het gebruik van deze machine jarenlang plezier zult beleven.

EG-VERKLARING VAN OVEREENSTEMMING

CE GR233/GR270/GR280/GR290
Black & Decker verklaart dat deze elektrische machines in overeenstemming zijn met: 98/37/EEG, 89/336/EEG, 73/23/EEG, EN 55014, EN 60335, EN 61000, 2000/14/EEG, grasmaaier, L ≤ 50 cm, Annex VIII, No. 0086
B.S.I., HP2 4SQ, United Kingdom

Niveau van de geluidsdruk, gemeten volgens 2000/14/EEG:

L_{pA} (geluidsdruk)	dB(A)	81
L_{WA} (geluidsvermogen)	dB(A)	95
L_{WA} (gegarandeerd)	dB(A)	96

 Neem de vereiste maatregelen voor gehoorbescherming wanneer de geluidsdruk het niveau van 85 dB(A) overschrijdt.

Gewogen kwadratische gemiddelde waarde van de versnelling overeenkomstig EN 50144:

< 2,5 m/s²



Kevin Hewitt
Director of Consumer Engineering
Spennymoor, County Durham DL16 6JG,
United Kingdom
4-2-2002

GEBRUIK VOLGENS BESTEMMING

Uw Black & Decker grasmaaier is ontwikkeld voor het maaien van gras. Deze machine is uitsluitend bestemd voor consumentengebruik.

VEILIGHEIDSVOORSCHRIFTEN

Pictogrammen

In deze handleiding worden de volgende pictogrammen gebruikt:



Duidt op mogelijk lichamelijk letsel, levensgevaar of kans op beschadiging van de machine indien de instructies in deze handleiding worden genegeerd.



Geeft elektrische spanning aan.



Lees de handleiding voordat u met de machine gaat werken.

Ken uw machine



- ♦ **Waarschuwing!** Bij het gebruik van elektrische apparaten dienen ter bescherming tegen brandgevaar, elektrische schok en letsel altijd gepaste veiligheidsmaatregelen in acht te worden genomen, waaronder de volgende veiligheidsvoorschriften.
- ♦ Lees de gehele gebruiksaanwijzing aandachtig door voordat u de machine gaat gebruiken.

- ◆ Zorg ervoor dat u voor gebruik weet hoe u de machine in geval van nood uitschakelt.
- ◆ Het gebruik volgens bestemming is beschreven in deze handleiding. Gebruik ter voorkoming van lichamelijke letsel uitsluitend de in deze gebruiksaanwijzing aanbevolen accessoires en hulpstukken. Gebruik de machine uitsluitend volgens bestemming.
- ◆ Bewaar deze instructies zorgvuldig!

Raak het netsnoer niet aan voordat u de stekker uit het stopcontact heeft genomen.

Veiligheid van anderen

- ◆ Verbied kinderen en personen die niet van de inhoud van deze handleiding op de hoogte zijn het gebruik van deze machine.
- ◆ Houd kinderen, bezoekers en dieren buiten het werkgebied en laat ze de machine of de elektriciteitskabel niet aanraken.
- ◆ Onthoud dat de gebruiker verantwoordelijk kan worden gesteld voor ongelukken of gevaren aan andere mensen of hun eigendommen.

Werkomgeving

- ◆ Stel de machine niet bloot aan regen. Gebruik de machine niet in een vochtige of natte omgeving.
- ◆ Gebruik de machine alleen bij daglicht of goede kunstmatige verlichting.

Persoonlijke bescherming

- ◆ Draag stevige schoenen of laarzen om uw voeten te beschermen. Gebruik de machine niet met open sandalen of blootsvoets.
- ◆ Draag een lange broek om uw benen te beschermen.

Gebruik van de machine

- ◆ Wees ervan verzekerd dat de machine is uitgeschakeld voordat u de stekker in het stopcontact steekt.
- ◆ Blijf voortdurend opletten. Houd uw aandacht bij uw werk. Ga met verstand te werk.
- ◆ Gebruik de machine niet als u niet geconcentreerd bent.
- ◆ Als de machine heftig begint te vibreren, schakel hem dan uit en neem de stekker uit het stopcontact. Laat roterende onderdelen tot stilstand komen alvorens de machine op beschadigingen en losgeraakte onderdelen te controleren.
- ◆ Trek niet aan de kabel om de stekker uit het stopcontact te verwijderen. Houd het snoer uit de buurt van warmtebronnen, olie en scherpe randen.
- ◆ Als het netsnoer tijdens gebruik beschadigd raakt, schakel de machine dan direct uit en neem de stekker uit het stopcontact.

Na gebruik

- ◆ Schakel de machine uit, neem de stekker uit het stopcontact en vergewis u ervan dat de bewegende delen tot stilstand zijn gekomen alvorens u de machine zonder toezicht achterlaat of enig onderdeel van de machine verwisselt, reinigt of controleert.
- ◆ Indien niet in gebruik, dient de machine te worden opgeborgen op een droge plaats. Kinderen mogen geen toegang hebben tot opgeborgen apparaten.

Inspectie en reparatie

- ◆ Controleer de machine voor gebruik op beschadigde of defecte onderdelen. Controleer of alle bewegende delen correct gemonteerd zijn, of er geen onderdelen gebroken zijn, of er geen beschermkappen en schakelaars beschadigd zijn en of er andere gebreken zijn die invloed op de werking van de machine zouden kunnen hebben.
- ◆ Gebruik de machine niet als enig onderdeel beschadigd of defect is. Gebruik de machine niet als de aan/uit-schakelaar niet werkt.
- ◆ Gebruik de machine nooit als een beveiliging of afdekking beschadigd is of ontbreekt.
- ◆ Vergewis u er van dat de machine correct werkt.
- ◆ Defecte onderdelen dienen door een erkend servicecentrum te worden gerepareerd of vervangen.
- ◆ Controleer voor gebruik het netsnoer op beschadiging, veroudering en slijtage.
- ◆ Gebruik de machine niet als het netsnoer beschadigd of defect is.

- ◆ Indien het netsnoer beschadigd is, dient het ter voorkoming van gevaren te worden vervangen door een erkend servicecentrum.
- ◆ Probeer nooit om enig onderdeel anders dan in deze handleiding beschreven te verwijderen of te vervangen.

Aanvullende veiligheidsvoorschriften voor grasmaaiers

De machine is voorzien van de volgende pictogrammen:



Draag een veiligheidsbril als u deze machine bedient.



Het mes draait nog een aantal seconden rond nadat de machine is uitgeschakeld. Probeer nooit om het mes geforceerd tot stilstand te brengen.



Houd mensen en dieren tenminste 6 m uit de buurt van het maaigebied.



Stel de machine niet bloot aan regen.



Schakel de machine uit, neem de stekker uit het stopcontact en vergewis u ervan dat de bewegende delen tot stilstand zijn gekomen alvorens u de machine zonder toezicht achterlaat of enig onderdeel van de machine verwisselt, reinigt of controleert.

- ◆ Controleer voor het gebruik van de machine, of het mes, de mesmoer en de bevestiging ervan niet zijn versleten of beschadigd. Controleer of de mesmoer goed is vastgedraaid.
- ◆ Controleer de grasopvangzak op slijtage en beschadiging en vervang deze indien nodig. Gebruik de machine nooit zonder de grasopvangzak.
- ◆ Controleer voordat u de machine in gebruik neemt of er geen stokjes, steentjes, draad en andere objecten op het te maaien gebied liggen.
- ◆ Gebruik de machine alleen in de juiste positie, met het mes in de buurt van de grond (zie afbeeldingen). Schakel de machine nooit in een andere positie in.

- ◆ Schakel de machine nooit in als uw handen of voeten zich in de buurt van het mes bevinden.
- ◆ Gebruik altijd beide handen om de machine te bedienen.
- ◆ Wanneer u de handgreep naar beneden duwt om de machine in te schakelen, duw deze dan niet verder naar beneden dan noodzakelijk. Zorg dat uw beide handen op de handgreep liggen en dat uw voeten uit de buurt van het mes zijn voordat u de machine op de grond zet.
- ◆ Raak nooit het mes aan terwijl de machine is ingeschakeld. Houd uw handen en voeten uit de buurt van draaiende delen.
- ◆ Loop rustig met de machine, ga niet hardlopen. Trek de machine niet naar u toe. Loop ook niet achteruit terwijl u de machine gebruikt.
- ◆ Ga niet te werk op steile taluds. Zorg altijd voor een juiste, stabiele houding. Houd er rekening mee dat pas gemaaid gras vochtig en glad is.
- ◆ Ga voorzichtig te werk bij graskanten en grindpaden en -wegen, omdat stenen en grond door het mes kunnen worden weggeslingerd.
- ◆ Zet de machine niet neer voordat het mes volledig tot stilstand is gekomen.
- ◆ Zorg dat het netsnoer uit de buurt van het mes wordt gehouden. Zorg dat u altijd weet waar het snoer zich bevindt.
- ◆ Als de machine heftig begint te vibreren of wanneer u een vreemd voorwerp raakt, schakel de machine dan uit en neem de stekker uit het stopcontact. Controleer of de machine is beschadigd.
- ◆ Gebruik uitsluitend reserveonderdelen en accessoires van Black & Decker.

ELEKTRISCHE VEILIGHEID

De machine is ontwikkeld voor een bepaalde netspanning. Controleer altijd of uw netspanning overeenkomt met de waarde op het typeplaatje.



Deze machine is uitsluitend bedoeld voor wisselspanningsvoeding (lichtnet). Probeer nooit om de machine op enige andere stroomvoorziening aan te sluiten.



Deze machine is dubbel geïsoleerd overeenkomstig EN 60335.

Een aarddraad is daarom niet vereist.

- ◆ Vermijd aanraking van gearde oppervlakken (bijv. metalen relingen, lantaampalen, enz.).
- ◆ Elektrische veiligheid kan verder worden verbeterd met behulp van een hooggevoelige (30 mA / 30 mS) reststroomschakelaar (RCD).

Verlengsnoeren

Gebruik uitsluitend goedgekeurde verlengsnoeren, die geschikt zijn voor het vermogen van de machine (zie typeplaatje). Het verlengsnoer dient geschikt te zijn voor gebruik buitenshuis.

- ◆ Controleer het verlengsnoer voor gebruik op beschadiging, veroudering en slijtage. Vervang een beschadigd of defect verlengsnoer.
- ◆ Wanneer het verlengsnoer op een haspel zit, rol het snoer dan helemaal af.

OVERZICHT (fig. A)

1. Aan/uit-schakelaar
2. Ontgrendelingsknop
3. Schakelkast
4. Bovenste handgreep
5. Onderste handgreep
6. Grasopvangzak
7. Motorafdekkap
8. Wielen

MONTAGE



Zorg vóór aanvang van de montage dat de machine is uitgeschakeld en de netstekker van het lichtnet is losgekoppeld.

Monteren van de handgreep (fig. B)

- ◆ Bevestig de onderste delen (9) van de handgreep op het bovenste gedeelte (4) van de handgreep met behulp van de schroeven (10) en moeren (11) zoals aangegeven.

Aanbrengen van de handgreep (fig. C)

- ◆ Steek de uiteinden van de onderste handgreep (5) in de overeenkomstige gaten (12) in de maaier.
- ◆ Duw de handgreep zover als mogelijk naar beneden.

- ◆ Bevestig de handgreep met behulp van de schroeven (13).

Monteren en plaatsen van de grasopvangzak (fig. D1 – D4)

GR270/GR280/GR290

- ◆ Breng het frame (14) zoals afgebeeld in de zak (15) aan (fig. D1).
- ◆ Zet het frame vast in de klemranden (16) met behulp van een lepelvormige handgreep of een gelijkwaardig rond gereedschap (fig. D2). Om de montage te vereenvoudigen, gaat u te werk in de volgorde zoals aangegeven in fig. D3.
- ◆ Til de klep (17) omhoog en plaats het metalen frame van de grasopvangzak in de sleuf (18) (fig. D4).

GR233

- ◆ Leg de twee helften van de grasopvangzak tegen elkaar.
- ◆ Duw de twee helften tegen elkaar.
- ◆ Klem de gemonteerde grasopvangzak op de maaier en laat deze op de juiste plaats vastklikken.

GEBRUIK



Laat de machine op eigen tempo werken. Niet overbelasten.

Instellen van de maaihoogte (fig. E)



Haal de stekker uit het stopcontact en wacht tot het mes niet meer ronddraait, alvorens verder te gaan.

De maaihoogte wordt ingesteld door de hoogte van de wielen te wijzigen.

- ◆ Zet de wielen (8) vrij door ze uit hun vergrendelde positie te draaien.
- ◆ Stel de wielen in op de gewenste hoogte.
- ◆ Zwenk de wielen terug in hun vergrendelde positie en zorg dat alle wielen op dezelfde hoogte zijn ingesteld.

Aan- en uitschakelen (fig. F)

Inschakelen

- ◆ Houd de handgreep met beide handen vast en kantel deze iets naar beneden om de voorkant van de machine iets op te tillen.
- ◆ Houd de ontgrendelingsknop (2) ingedrukt, terwijl u de aan/uit-schakelaar (1) naar u toe trekt.
- ◆ Laat de ontgrendelingsknop los.
- ◆ Laat de machine terugkeren naar zijn werkpositie

Uitschakelen

- ◆ Om de machine uit te schakelen, schakelt u de aan/uit-schakelaar (1) uit.



Probeer nooit om de schakelaar in de ingeschakelde stand te vergrendelen.

Maaien (fig. G & H)

Wij adviseren u de grasmachine te gebruiken zoals in dit gedeelte beschreven, om de beste resultaten te bereiken en het risico het netsnoer door te snijden te verkleinen.

- ◆ Leg het grootste gedeelte van het netsnoer op het grasveld, dichtbij het startpunt (positie 1 in fig. G).
- ◆ Schakel de machine in zoals hierboven beschreven.
- ◆ Ga te werk als aangeven in fig. G
 - ◆ Beweeg van positie 1 naar positie 2.
 - ◆ Draai naar rechts en ga naar positie 3.
 - ◆ Draai naar links en ga naar positie 4.
- ◆ Herhaal bovenstaande procedure indien nodig.



Werk niet in de richting van de kabel zoals aangegeven in fig. H.

Het legen van de grasopvangzak

- ◆ Wanneer los gras onderuit de grasmaaiër komt, moet u de grasopvangzak legen.



Gebruik de machine nooit zonder de grasopvangzak.

Tips voor optimaal gebruik

- ◆ Als het gras langer is dan ongeveer 10 cm, moet u twee keer maaien om een beter resultaat te krijgen.

Maai eerst op de maximum maaiahogte, gebruik vervolgens een lage of een tussenmaaiahogte.

- ◆ Voor een optimaal resultaat kunt u het beste alleen droog gras maaien.

ONDERHOUD

Uw Black & Decker machine is ontworpen om gedurende langere periode te functioneren met een minimum aan onderhoud. Voortdurend tevreden gebruik is afhankelijk van correct onderhoud en regelmatig schoonmaken.



Zorg vóór aanvang van onderhoudswerkzaamheden dat de machine is uitgeschakeld en de netstekker van het lichtnet is losgekoppeld.

- ◆ Gebruik regelmatig een botte krabber om gras en vuil uit de machine te verwijderen.



Gebruik geen schuur- of oplosmiddel.

Onderhoud van het mes

- ◆ Verwijder regelmatig gras en vuil van het mes.
- ◆ Controleer het mes zorgvuldig aan het begin van het tuinseizoen.
- ◆ Als het mes stomp is, moet u het mes slijpen of vervangen.
- ◆ Als het mes beschadigd of versleten is, moet u een nieuw mes monteren, zoals hieronder beschreven.

Vervanging van het mes (fig. I)

Een vervangend mes is verkrijgbaar bij uw Black & Deckerdealer (cat. nr. A6182).



- ◆ Haal de stekker uit het stopcontact en wacht tot het mes niet meer ronddraait, alvorens verder te gaan.
- ◆ Let op dat u zich niet snijdt.
- ◆ Gebruik werkhandschoenen of een doek om het mes vast te houden.
- ◆ Vervang het mes alleen door een Black & Decker mes.
- ◆ Verwijder het rotorblad (21) niet zonder reden.

- ◆ Draai de machine op zijn kant.
- ◆ Houd het mes (19) vast met een hand.
- ◆ Gebruik de meegeleverde sleutel om de bladmoer (20) los te draaien en te verwijderen.
- ◆ Vervang het mes.
- ◆ Plaats de sluitring (indien eerder gemonteerd) en de moer terug.
- ◆ Draai de mesmoer zorgvuldig vast.

STORINGEN VERHELPEN

Indien uw machine niet naar behoren functioneert, volg dan onderstaande instructies. Als hierdoor het probleem niet wordt opgelost, kunt u contact opnemen met uw plaatselijke Black & Decker service-centrum.



Neem voor de werkzaamheden de netstekker uit het stopcontact.

De motor broemt, maar het mes beweegt niet



Schakel de machine uit en verwijder de stekker uit het stopcontact.

- ◆ Verwijder voorzichtig de eventuele obstructies van het mes.

Geen geluid en het mes beweegt niet

- ◆ Controleer of de voedingskabels correct zijn aangesloten.
- ◆ Controleer de netzekeringen.

MILIEU



Black & Decker biedt de mogelijkheid tot recyclen van afgedankte Black & Decker producten. Deze service is kosteloos. Om gebruik van deze service te maken, dient u het product aan een van onze servicecentra te sturen, die voor ons de inzameling verzorgen.

U kunt het adres van het dichtstbijzijnde servicecentrum opvragen via de adressen op de achterzijde van deze handleiding. U kunt ook een lijst van onze servicecentra en meer informatie m.b.t. onze klantenservice vinden op het volgende Internet-adres: **www.2helpU.com**.

GARANTIE

Black & Decker heeft vertrouwen in zijn producten en biedt een uitstekende garantie.

Deze garantiebepalingen vormen een aanvulling op uw wettelijke rechten en beperken deze niet. De garantie geldt in de lidstaten van de Europese Unie en de Europese Vrijhandelsassociatie.

Mocht uw Black & Decker product binnen 24 maanden na datum van aankoop defect raken tengevolge van materiaal- of constructiefouten, dan garanderen wij de kosteloze vervanging van defecte onderdelen, de reparatie van het product of de vervanging van het product, tenzij:

- ◆ Het product is gebruikt voor handelsdoeleinden, professionele toepassingen of verhuurdoeleinden;
- ◆ Het product onoordeelkundig is gebruikt;
- ◆ Het product is beschadigd door invloeden van buitenaf of door een ongeval;
- ◆ Reparaties zijn uitgevoerd door anderen dan onze servicecentra of Black & Decker personeel.

Om een beroep op de garantie te doen, dient u een aankoopbewijs te overhandigen aan de verkoper of een van onze servicecentra. U kunt het adres van het dichtstbijzijnde servicecentrum opvragen via de adressen op de achterzijde van deze handleiding. U kunt ook een lijst van onze servicecentra en meer informatie m.b.t. onze klantenservice vinden op het volgende Internet-adres: **www.2helpU.com**.

ANDERE MACHINES VOOR GEBRUIK IN DE TUIN

Black & Decker heeft een compleet assortiment machines die het leven in de tuin vereenvoudigen. Als u meer informatie over de volgende producten wenst, neemt u dan contact op met ons Service- en Informatiecentrum (zie de adrespagina aan het eind van deze handleiding) of uw plaatselijke Black & Decker dealer.

Strimmers	Verticuteerders
Kettingzagen	Bladruimers
Heggenscharen	Hakselaars
Grasmaaiers	

Niet ieder product is verkrijgbaar in alle landen.

CORTACÉSPED GR233/GR270/GR280/GR290

¡ENHORABUENA!


Ha escogido una herramienta Black & Decker. Nuestro objetivo es ofrecerle herramientas de calidad a un precio asequible y estamos seguros que podrá disfrutar de esta herramienta durante muchos años.

DECLARACIÓN CE DE CONFORMIDAD

CE GR233/GR270/GR280/GR290
Black & Decker certifica que estas herramientas eléctricas han sido construidas de acuerdo a las normas siguientes: 98/37/CEE, 89/336/CEE, 73/23/CEE, EN 55014, EN 60335, EN 61000, 2000/14/CEE, cortacésped, L ≤ 50 cm, Annex VIII, No. 0086
B.S.I., HP2 4SQ, United Kingdom

El nivel de la presión acústica, medida de acuerdo con 2000/14/CEE:

L_{pA}	(presión acústica)	dB(A)	81
L_{WA}	(potencia acústica)	dB(A)	95
L_{WA}	(garantizado)	dB(A)	96

 Tome medidas adecuadas para proteger sus oídos cuando la presión acústica exceda el valor de 85 dB(A).

Valor cuadrático medio ponderado en frecuencia de la aceleración según EN 50144:

$< 2,5 \text{ m/s}^2$



Kevin Hewitt, Director de Ingeniería
Spennymoor, County Durham DL16 6JG,
United Kingdom
4-2-2002

FINALIDAD

El cortacésped Black & Decker ha sido diseñado para cortar césped.

Esta herramienta está pensada únicamente para uso doméstico.

INSTRUCCIONES DE SEGURIDAD

Pictogramas

En el presente manual figuran los pictogramas siguientes:



Indica peligro de lesiones, de accidentes mortales o de averías en la herramienta en caso de no respeto de las instrucciones en este manual.



Indica tensión eléctrica.



Lea el manual antes de utilizar la herramienta.

Conozca su herramienta



- ◆ **¡Atención!** Cuando use herramientas eléctricas, debe seguir siempre las precauciones de seguridad básicas, incluidas las siguientes, a fin de reducir el riesgo de incendios, electrocución y lesiones personales.
- ◆ Lea atentamente el manual completo antes de utilizar el aparato.
- ◆ Antes de poner en marcha la herramienta, compruebe que sabe cómo desconectarla en caso de emergencia.
- ◆ En este manual se explica para qué uso está destinada la herramienta. El uso de otros accesorios, adaptadores, o la propia utilización de la herramienta en cualquier forma diferente de las recomendadas en este manual de instrucciones puede constituir un riesgo de lesiones a las personas.

- ◆ Mantenga a mano este manual para consultas posteriores.

Área de trabajo

- ◆ No exponga la herramienta a la lluvia. No use la herramienta en condiciones de humedad
- ◆ Utilice la herramienta sólo a la luz del día o con una buena iluminación artificial.

Protección personal

- ◆ Lleve zapatos resistentes o botas para proteger sus pies. No trabaje con esta herramienta cuando tenga puestas sandalias en las que queden expuestos los dedos de los pies, ni cuando esté descalzo.
- ◆ Lleve pantalones largos para proteger sus piernas.

Utilización del aparato

- ◆ Asegúrese de que el aparato esté apagado cuando lo enchufe.
- ◆ Esté siempre alerta. Mire lo que está haciendo. Use el sentido común.
- ◆ No maneje el aparato cuando está cansado.
- ◆ Si el aparato comenzara a vibrar de forma anormal, apáguelo y extraiga el enchufe de la toma de corriente. Espere hasta que se hayan detenido completamente las partes rotatorias, e inspeccione el aparato en búsqueda de piezas dañadas o flojas.
- ◆ Nunca tire del cable para desconectarlo del enchufe. Proteja el cable del calor, del aceite y de las aristas vivas.
- ◆ Si el cable de alimentación de corriente se dañara durante la utilización del aparato, apáguelo y desconecte inmediatamente el enchufe del tomacorriente. No toque el cable de alimentación de corriente antes de desenchufarlo del tomacorriente.

Seguridad de otras personas

- ◆ No deje que el aparato sea utilizada por niños o por personas que no estén familiarizadas con el uso del mismo.
- ◆ No deje que niños, visitas o animales se acerquen al área de trabajo o que toquen el aparato o los cables de corriente.

- ◆ Recuerde que el operador es responsable de los accidentes o daños ocasionados a otras personas o a sus pertenencias.

Cuando acabe de utilizar la herramienta

- ◆ Apáguela, desconecte el enchufe del tomacorriente, y asegúrese de que todas las piezas rotatorias se hayan detenido completamente antes de dejar desatendida la herramienta, y antes de cambiar, limpiar o inspeccionar cualquiera de las piezas de la misma.
- ◆ Cuando no esté siendo utilizado, el aparato debe guardarse en lugar seco. Los niños no deben tener acceso a estos aparatos guardados.

Inspección y reparaciones

- ◆ Antes de utilizarlo, revise el aparato para ver si está dañado o tiene piezas defectuosas. Compruebe la posible existencia de piezas móviles mal alineadas o atascadas, la rotura de piezas, el posible daño de protectores e interruptores y cualquier otros aspecto que pueda afectar al funcionamiento de la herramienta.
- ◆ No use el aparato si hay alguna pieza dañada o defectuosa. No utilice el aparato si no es posible apagar y encender el interruptor.
- ◆ No utilice nunca el aparato cuando cualquiera de sus cubiertas protectoras o carcasas esté dañada o fuera de su lugar.
- ◆ Asegúrese de que el aparato puede funcionar adecuadamente y cumplir con el cometido para el que ha sido diseñada.
- ◆ Encargue al servicio técnico autorizado que repare o sustituya las piezas defectuosas o averiadas.
- ◆ Antes de utilizar la herramienta, revise el cable de alimentación de corriente para ver si presenta señas de daños, envejecimiento o desgaste.
- ◆ No utilice el aparato si el cable de alimentación de corriente está dañado o defectuoso.
- ◆ Si el cable eléctrico está estropeado, hay que sustituirlo en un agente de reparaciones autorizado con el fin de evitar un accidente.
- ◆ No intente nunca extraer o sustituir ninguna de las piezas que no sean las especificadas en este manual.

Instrucciones adicionales de seguridad para los cortadores de césped

Encontrará los siguientes símbolos de advertencia en el aparato:



Lleve gafas protectoras cuando utilice esta herramienta.



La cuchilla continuará funcionando durante unos segundos después de desconectar el aparato. Nunca intente forzar las cuchillas para que se paren.



Mantenga a las personas y animales a una distancia mínima de 6 m del área de corte.



No exponga la herramienta a lluvia o humedad elevada.



Apáguela, desconecte el enchufe del tomacorriente, y asegúrese de que todas las piezas rotatorias se hayan detenido completamente antes de dejar desatendida la herramienta, y antes de cambiar, limpiar o inspeccionar cualquiera de las piezas de la misma.

- ◆ Antes de usar el aparato, compruebe que la cuchilla, la tuerca de la cuchilla y el conjunto de cuchillas no están desgastados o dañados. Compruebe que la tuerca de la cuchilla está firmemente sujeta.
- ◆ Compruebe si la bolsa de recogida de césped está desgastada o dañada y cámbiela si fuera necesario. No use nunca el aparato sin la bolsa de recogida de césped.
- ◆ Antes de usar el aparato, compruebe que el trayecto de corte está libre de palos, piedras, cables o cualquier otro obstáculo.
- ◆ Utilice el aparato solamente en la posición correcta, con la cuchilla próxima al suelo, tal como se muestra en las ilustraciones. Nunca encienda el aparato en ninguna otra posición.
- ◆ Encienda el aparato solamente cuando las manos y los pies estén alejados de la cuchilla.
- ◆ Use siempre ambas manos para operar el aparato.

- ◆ Cuando bascule hacia abajo el mango para encender el aparato, no lo bascule más de lo necesario. Tenga siempre ambas manos sobre el mango y los pies perfectamente alejados de la cuchilla antes de poner el aparato en el suelo.
- ◆ Evite el contacto corporal con la cuchilla mientras el aparato esté en marcha. Mantenga manos y pies claramente separados de la cuchilla. No coloque las manos o pies cerca o debajo de piezas giratorias
- ◆ Camine, no corra, mientras usa el aparato. No tire del aparato hacia usted o camine hacia atrás cuando esté usando el aparato.
- ◆ No trabaje en cuevas empinadas. Asegúrese de estar parado firmemente. Tenga en cuenta que el césped recién cortado está húmedo y resbaladizo.
- ◆ Tenga cuidado cuando esté cortando cerca de las orillas y sendas o caminos de grava, ya que la cuchilla puede lanzar piedras y tierra.
- ◆ No levante el aparato hasta que la cuchilla esté totalmente parada.
- ◆ Tenga cuidado de mantener el cable de corriente alejado de la cuchilla. No pierda de vista el cable en ningún momento.
- ◆ Si el aparato comenzara a vibrar anormalmente o si golpeará algún objeto extraño, apáguelo inmediatamente y desenchufe la clavija de la toma de corriente. Compruebe si el aparato ha sufrido algún daño.
- ◆ Utilice únicamente piezas de recambio o accesorios recomendados por Black & Decker.

SEGURIDAD ELÉCTRICA

La herramienta ha sido diseñada para una tensión solamente. Compruebe siempre que la tensión de la red corresponda con el valor indicado en la placa de datos de la herramienta.



Esta herramienta está diseñada solamente para alimentación de corriente alterna. No intente utilizarla con ninguna otra fuente de alimentación eléctrica.



A herramienta tiene doble aislamiento, conforme a la norma EN 60335; por consiguiente, no se requiere conexión a tierra.

- ◆ Evite el contacto del cuerpo con superficies conectadas a masa o tierra (por ejemplo verjas metálicas o farolas, etc.).
- ◆ Se puede incrementar la seguridad eléctrica utilizando disyuntores de alta sensibilidad (30 mA / 30 mS) para detectar corrientes de fuga.

Utilización de un cable de prolongación

Utilice siempre un cable alargador homologado, apropiado para el consumo de corriente de esta herramienta (ver placa de datos de la herramienta). El cable alargador debe ser adecuado para uso en exteriores.

- ◆ Antes de utilizar la herramienta, revise el cable de alimentación de corriente para ver si presenta señales de daños, envejecimiento o desgaste. Reemplace el cable alargador si estuviera dañado o defectuoso.
- ◆ Si utiliza un carrete de cable, desenrolle siempre el cable completamente.

VISTA GENERAL (fig. A)

1. Conmutador ON/OFF (encendido/apagado)
2. Botón de desbloqueo
3. Caja de interruptor
4. Mango superior
5. Mango inferior
6. Bolsa recogedora de césped
7. Tapa del motor
8. Ruedas

MONTAJE



Antes de proceder al montaje, compruebe que la herramienta está apagada y desenchufada.

Montaje del mango (fig. B)

- ◆ Fije las dos piezas del mango inferior (9) al mango superior (4) utilizando los tornillos (10) y tuercas (11) tal como se muestra.

Colocación del mango (fig. C)

- ◆ Inserte los extremos del mango inferior (5) en sus agujeros correspondientes (12) del cortador de césped.
- ◆ Presione hacia abajo el mango hasta todo lo que vaya.

- ◆ Sujete el mango utilizando los tornillos (13).

Montaje y colocación de la bolsa de césped (fig. D1 – D4)

GR270/GR280/GR290

- ◆ Inserte el bastidor(14) en la bolsa (15) tal como se indica (fig. D1)
- ◆ Sujete el bastidor dentro de los anillos de sujeción (16) empleando el mango de una cuchara o herramienta similar redonda (fig. D2). Con el fin de facilitar el montaje, trabaje en el orden marcado en la fig. D3.
- ◆ Levante la aleta (17) y coloque el bastidor metálico de la bolsa recogedora de césped dentro de la ranura (18) (fig. D4).

GR233

- ◆ Alinee las dos mitades del recogedor de césped.
- ◆ Presione una mitad contra otra.
- ◆ Sujete firmemente el recogedor de césped al cortacésped haciendo que se encaje en posición.

USO



Deje que la herramienta funcione a su ritmo. No la sobrecargue.

Ajuste de la altura de corte (fig. E)



Desconecte el aparato de la corriente y espere hasta que la cuchilla haya dejado de girar antes de proceder.

La altura de corte se ajusta cambiando la altura de las ruedas.

- ◆ Suelte las ruedas (8) haciéndolas girar para que salgan de su posición de bloqueo.
- ◆ Coloque las ruedas al nivel de altura deseado.
- ◆ Vuelva a hacer girar las ruedas para ponerlas en su posición de bloqueo, asegurándose de que todas las ruedas se coloquen a la misma altura.

Encendido y apagado (fig. F)

Encendido

- ◆ Sujete el mango con ambas manos y muévelo ligeramente hacia abajo para elevar la parte delantera del aparato.
- ◆ Mantenga presionado el botón de desbloqueo (2) y tire del interruptor de on/off (encendido/apagado) hacia usted.
- ◆ Suelte el botón de desbloqueo.
- ◆ Deje que el aparato vuelva a su posición de trabajo.

Apagado

- ◆ Para apagar el aparato, suelte el interruptor on/off (encendido/apagado).



No intente nunca bloquear el interruptor en la posición de encendido (On).

Corte de césped (fig. G & H)

Le recomendamos que utilice el cortacésped tal como se explica en esta sección con el fin de lograr los mejores resultados y reducir el riesgo de cortar el cable de corriente.

- ◆ Coloque la mayor parte del cable de corriente sobre el césped, cerca del punto de inicio (posición 1 de la fig. G).
- ◆ Encienda el aparato tal como se explicó anteriormente.
- ◆ Proceda tal como se muestra en la fig. G.
 - ◆ Muévase de la posición 1 a la 2.
 - ◆ Gire a la derecha y prosiga hasta la posición 3.
 - ◆ Gire a la izquierda y muévase a la posición 4.
- ◆ Repita este procedimiento las veces que sean necesarias.



No trabaje en dirección hacia el cable tal como se indica en la fig. H.

Vaciado del recogedor de césped

- ◆ Cuando vea yerba suelta que se esparce por debajo del cortacésped, vacíe la bolsa recogedora de césped.



No use nunca el aparato sin la bolsa de recogida de césped.

Consejos para un uso óptimo

- ◆ Si el césped tiene una longitud superior a 10 cm, realice dos cortes para conseguir un mejor acabado. Primero, corte con la altura máxima de corte, después utilice una altura de corte baja o media.
- ◆ Para lograr un corte óptimo, corte únicamente el césped que esté seco.

MANTENIMIENTO

Su herramienta Black & Decker está diseñada para funcionar durante un largo período de tiempo con un mantenimiento mínimo. El funcionamiento satisfactorio continuado depende de un cuidado apropiado y una limpieza periódica de la herramienta.



Antes de realizar cualquier tipo de mantenimiento, apague y desenchufe la herramienta.

- ◆ Utilice periódicamente un raspador romo para eliminar la hierba y la suciedad del aparato.



No utilice ninguna sustancia limpiadora abrasiva o que contenga disolventes.

Mantenimiento de la cuchilla

- ◆ Periódicamente elimine la yerba y la suciedad de la cuchilla.
- ◆ Al comienzo de la estación de cuidados del jardín, examine minuciosamente el estado de la cuchilla.
- ◆ Si la cuchilla está roma, afílela o cámbiela.
- ◆ Si la cuchilla está dañada o desgastada, coloque una nueva tal como se explica seguidamente.

Cambio de la cuchilla (fig. I)

La cuchilla de repuesto la podrá encontrar en su concesionario Black & Decker (cat. no. A6182).



- ◆ Desconecte el aparato de la corriente y espere hasta que la cuchilla haya dejado de girar antes de proceder.
- ◆ Tenga cuidado de no cortarse. Use guantes resistentes o un paño para coger la cuchilla.

- ◆ Utilice únicamente la cuchilla de repuesto especificada.
- ◆ En ningún caso retire el impulsor (21).
- ◆ Vuelque el aparato sobre su lado.
- ◆ Agarre la cuchilla (19) con una mano.
- ◆ Use la llave que se suministra para aflojar y extraer la tuerca de sujeción de la cuchilla (20).
- ◆ Sustituya la cuchilla.
- ◆ Vuelva a colocar la arandela (si estaba puesta antes) y la tuerca.
- ◆ Apriete firmemente la tuerca de la cuchilla.

LOCALIZACIÓN DE AVERÍAS

Si su herramienta no funciona adecuadamente, siga estas instrucciones. Si esto no resuelve el problema, póngase en contacto con el servicio de reparaciones de Black & Decker de su zona.



Antes de cualquier operación, desenchufe la herramienta.

El motor zumba pero la cuchilla no se mueve



Apague el aparato y desenchufe la clavija de la toma de corriente.

- ◆ Elimine con cuidado cualquier obstrucción de la cuchilla.

No hay ningún ruido y la cuchilla no se mueve.

- ◆ Compruebe si los cables de alimentación de corriente están bien conectados.
- ◆ Compruebe los fusibles de la alimentación de corriente.

PROTECCIÓN DEL MEDIO AMBIENTE



Black & Decker proporciona facilidades para el reciclado de los productos Black & Decker que hayan llegado al final de su vida útil. Este servicio se proporciona de forma gratuita. Para poderlo utilizar, le rogamos entregue el producto en cualquier servicio técnico autorizado quien se hará cargo del mismo en nuestro nombre.

Pueden consultar la dirección de su servicio técnico más cercano poniéndose en contacto con la oficina local de Black & Decker en la dirección que se indica en este manual. Como alternativa, se puede consultar en Internet, en la dirección siguiente, la lista de servicios técnico autorizados e información completa de nuestros servicios de postventa y contactos: www.2helpU.com.

GARANTÍA

Black & Decker confía plenamente en la calidad de sus productos y ofrece una garantía extraordinaria. Esta declaración de garantía es una añadido, y en ningún caso un perjuicio para sus derechos estatutarios. La garantía es válida dentro de los territorios de los Estados Miembros de la Unión Europea y de los de la Zona Europea de Libre Comercio.

Si un producto Black & Decker resultara defectuoso debido a materiales o mano de obra defectuosos o a la falta de conformidad, Black & Decker garantiza, dentro de los 24 meses de la fecha de compra, la sustitución de las piezas defectuosas, la reparación de los productos sujetos a un desgaste y rotura razonables o la sustitución de tales productos para garantizar al cliente el mínimo de inconvenientes, a menos que:

- ◆ El producto haya sido utilizado con propósitos comerciales, profesionales o de alquiler;
- ◆ El producto haya sido sometido a un uso inadecuado o negligente;
- ◆ El producto haya sufrido daños causados por objetos o sustancias extrañas o accidentes;
- ◆ Se hayan realizado reparaciones por parte de personas que no sean los servicios de reparación autorizados o personal de servicios de Black & Decker;

Para reclamar en garantía, será necesario que presente la prueba de compra al vendedor o al servicio técnico de reparaciones autorizado. Pueden consultar la dirección de su servicio técnico más cercano poniéndose en contacto con la oficina local de Black & Decker en la dirección que se indica en este manual. Como alternativa, se puede consultar en Internet, en la dirección siguiente, la lista de servicios técnico autorizados e información completa de nuestros servicios de postventa y contactos: **www.2helpU.com**.

OTRAS HERRAMIENTAS DE JARDINERÍA

Black & Decker cuenta con una amplia gama de herramientas de jardinería para hacerle la vida en el jardín más fácil. Si desea más información sobre los siguientes productos, no dude en ponerse en contacto con nuestro Centro de Servicio e Información (consulte la página de direcciones al final de este manual) o diríjase a su concesionario local de Black & Decker.

Motosierras
Recortabordes
Recortasetos
Cortacéspedes
Escarificadores
Aspiradores-sopladores

Todos los productos no se encuentran disponibles en todos los países.

CORTA-RELVA GR233/GR270/GR280/GR290

PARABÉNS!

Você escolheu uma ferramenta Black & Decker. O nosso objectivo é fornecer ferramentas de qualidade a um preço acessível. Esperamos que a utilize por muitos anos.

DECLARAÇÃO DE CONFORMIDADE

CE GR233/GR270/GR280/GR290
A Black & Decker declara que estas ferramentas foram concebidas em conformidade com:
98/37/CEE, 89/336/CEE, 73/23/CEE, EN 55014, EN 60335, EN 61000, 2000/14/CEE, corta-relvas, L ≤ 50 cm, Annex VIII, No. 0086
B.S.I., HP2 4SQ, Reino Unido

Nível de potência sonora, medido de acordo com a 2000/14/CEE:

L_{pA} (pressão sonora)	dB(A)	81
L_{WA} (potência sonora)	dB(A)	95
L_{WA} (com garantia)	dB(A)	96



Use protectores auditivos quando a potência sonora ultrapassar 85 dB(A).

Valor médio quadrático ponderado em frequência de aceleração conforme a EN 50144:

< 2,5 m/s²

Kevin Hewitt
Engenheiro Responsável
Spennymoor, County Durham DL16 6JG,
United Kingdom
4-2-2002

FINALIDADE

O seu corta-relva Black & Decker foi concebido para cortar relva.
Esta ferramenta destina-se apenas ao doméstico.

INSTRUÇÕES DE SEGURANÇA

Símbolos

Os seguintes símbolos são usados neste manual:



Indica risco de ferimentos, danos pessoais ou materiais no caso do não-cumprimento das instruções deste manual.



Indica risco de choques eléctricos.



Leia este manual antes de utilizar a ferramenta.

Conheça o seu aparelho



- ◆ **Advertência!** Ao utilizar aparelhos electrodomésticos, siga sempre as precauções básicas de segurança, incluindo as detalhadas a seguir, para diminuir os riscos de incêndio, choque eléctrico e ferimentos pessoais.
- ◆ Leia atentamente este manual antes de utilizar o aparelho.
- ◆ Antes de utilizar a ferramenta, certifique-se de que sabe como desligá-la em caso de urgência.
- ◆ Neste manual indicam-se as utilizações previstas para o aparelho. O uso de qualquer acessório ou da própria ferramenta, além do que é recomendado neste manual de instruções pode dar origem a um risco de ferimento.
- ◆ Guarde este manual para futuras consultas.

Área de trabalho

- ◆ Não exponha a ferramenta à chuva. Não utilize a ferramenta em situações onde haja humidade ou água.
- ◆ Utilize a ferramenta apenas durante o dia ou com boa iluminação artificial.

Protecção pessoal

- ◆ Utilize botas ou sapatos resistentes para proteger os pés. Não utilize a ferramenta se estiver descalço ou a utilizar sandálias.
- ◆ Vista calças compridas para proteger as pernas.

Utilização do aparelho

- ◆ Assegure-se de que a ferramenta esteja desligada quando for ligá-la à tomada.
- ◆ Esteja atento. Dê atenção ao que vai fazendo. Trabalhe com precaução.
- ◆ Não utilize ferramentas quando estiver cansado.
- ◆ Se a ferramenta começar a vibrar de forma anormal, desligue-a e remova a ficha da tomada. Espere que as peças giratórias parem e verifique se existem danos ou peças soltas.
- ◆ Nunca puxe o cabo para desligá-lo da tomada. Proteja o cabo contra o calor e evite o contacto com óleo e objectos cortantes.
- ◆ Se o fio eléctrico sofrer danos durante o uso, desligue a ferramenta e desligue a ficha da tomada imediatamente. Não toque o fio eléctrico antes de desligá-lo da tomada.

Segurança de outras pessoas

- ◆ Não permita que as crianças ou qualquer pessoa que não esteja familiarizada com estas instruções utilizem o aparelho.
- ◆ Não permita que crianças, visitantes ou animais cheguem perto da área de trabalho ou toquem na ferramenta ou no cabo de força.
- ◆ Lembre-se que o operador poderá ser responsabilizado por acidentes ou danos causados a pessoas ou à sua propriedade .

Após a utilização

- ◆ Desligue-a, remova a ficha da tomada e, antes de trocar, limpar ou inspeccionar qualquer peça da ferramenta, certifique-se de que as peças giratórias estão paradas.

- ◆ Quando não estiver em utilização, guarde o aparelho em local seco. Guarde o aparelho fora do alcance das crianças.

Manutenção e reparação

- ◆ Antes de utilizar o aparelho, verifique a existência de danos ou defeitos nas peças. Verifique o tamanho das peças móveis e se as mesmas estão alinhadas; verifique se há alguma peça partida, se as protecções e os interruptores estão danificados, bem como quaisquer outras condições que possam afectar o funcionamento da ferramenta.
- ◆ Não utilize o aparelho se houver alguma peça defeituosa ou danificada. Não utilize a ferramenta se o interruptor não estiver a funcionar para ligar ou desligar.
- ◆ Nunca utilize a ferramenta se houver danos em algum dispositivo protector ou invólucro ou se os mesmos estiverem fora do lugar.
- ◆ Assegure-se de que a ferramenta funcione correctamente e de que esteja a desempenhar as funções para as quais foi projectada.
- ◆ Qualquer peça defeituosa ou danificada deverá ser reparada ou substituída por um técnico autorizado.
- ◆ Verifique se há sinais de danos, envelhecimento e desgaste no cabo eléctrico.
- ◆ Não utilize a ferramenta se o fio eléctrico estiver danificado ou com defeitos.
- ◆ Para evitar situações de risco, o cabo eléctrico danificado deverá ser substituído por um agente de reparações autorizado.
- ◆ Nunca tente remover ou trocar peças por outras que não aquelas especificadas neste manual.

Instruções de segurança adicionais para cortadores de relva

Os símbolos de advertência a seguir encontram-se na ferramenta:



Utilize óculos de segurança durante o funcionamento da ferramenta.



A lâmina continua a funcionar durante alguns segundos depois de desligar o aparelho. Nunca tente forçar a paralisação da lâmina.



Mantenha as pessoas a uma distância mínima de 6 m da área de corte.



Não exponha a ferramenta à chuva e humidade excessiva.



Desligue-a, remova a ficha da tomada e, antes de trocar, limpar ou inspeccionar qualquer peça da ferramenta, certifique-se de que as peças giratórias estão paradas.

- ◆ Antes de utilizar o aparelho, verifique se a lâmina, a porca da lâmina e o conjunto de corte não estão gastos ou danificados. Verifique se a porca da lâmina está bem apertada.
- ◆ Verifique se o saco da relva está gasto ou danificado e substitua-o se necessário. Nunca utilize o aparelho sem o saco de relva.
- ◆ Antes de utilizar a ferramenta, verifique se o percurso de corte está livre de gravetos, pedras, arame e quaisquer outros obstáculos.
- ◆ Utilize a ferramenta apenas na posição correcta, com a lâmina próxima ao solo, conforme as ilustrações. Nunca a ligue em qualquer outra posição.
- ◆ Ligue-a apenas com as mãos e pés distantes da lâmina.
- ◆ Utilize ambas as mãos para operar o aparelho.
- ◆ Quando inclinar o manípulo para baixo para ligar o aparelho, não o incline mais do que necessário. Não se esqueça de colocar ambas as mãos no manípulo e de afastar os pés da lâmina antes de colocar o aparelho no chão.
- ◆ Evite o contacto corporal com a lâmina durante o funcionamento. Mantenha as mãos e os pés bem afastados da lâmina. Não coloque as mãos ou os pés perto ou debaixo das peças rotativas.
- ◆ Caminhe, nunca corra durante a utilização do aparelho. Não puxe o aparelho na sua direcção ou ande para trás durante a utilização do aparelho.
- ◆ Não trabalhe em declives. Permaneça atento aos seus passos. Lembre-se que relva recém-cortada é húmida e escorregadia.
- ◆ Cuidado ao efectuar aparos próximo a orlas, caminhos com cascalho ou estradas, pois a lâmina poderá movimentar pedras e solo.

- ◆ Não largue o aparelho enquanto a lâmina não estiver completamente parada.
- ◆ Tenha em atenção para que o cabo de alimentação eléctrica fique longe da lâmina. Esteja sempre atento ao posicionamento do cabo.
- ◆ Caso o aparelho comece a vibrar de forma anormal ou se atingir um objecto estranho, desligue o aparelho e remova a ficha da tomada. Verifique se o aparelho apresenta danos.
- ◆ Utilize apenas peças de reposição e acessórios Black & Decker.

SEGURANÇA ELÉCTRICA

A ferramenta foi concebida para uma única tensão. Verifique sempre se a tensão da rede corresponde à voltagem indicada na placa de identificação.



Essa ferramenta foi concebida apenas para uso em fontes de alimentação CA. Não tente utilizá-la em outras fontes.



A ferramenta tem duplo isolamento em conformidade com o estipulado na norma EN 60335, não sendo, por isso, necessária uma ligação à terra.

- ◆ Evite o contacto com superfícies aterradas tais como trilhos de metal, postes de iluminação, etc.
- ◆ A segurança eléctrica pode ser melhorada mediante o uso de dispositivos de corrente residual (RCD) de alta sensibilidade (30 mA / 30 mS).

Extensões

Utilize sempre cabo de extensão aprovado e adequado à entrada de força da ferramenta (consulte a placa de identificação). O cabo de extensão deve ser adequado para uso em ambientes externos.

- ◆ Antes do uso, verifique se há sinais de danos, envelhecimento e desgaste no cabo. Substitua-o se estiver danificado ou apresentar defeitos.
- ◆ No caso de se usar uma bobina, desenrole o cabo todo.

VISÃO GERAL (fig. A)

1. Interruptor
2. Botão de travamento
3. Interruptor
4. Manípulo superior
5. Manípulo inferior
6. Saco do lixo
7. Tapa do motor
8. Rodas

MONTAGEM



Antes da montagem, certifique-se de que a ferramenta está desligada da corrente eléctrica.

Montagem do manípulo (fig. B)

- ◆ Encaixe as duas partes do manípulo inferior (9) no manípulo superior (4) utilizando os parafusos (10) e as porcas (11) como mostrado.

Instalação do manípulo (fig. C)

- ◆ Insira as extremidades do manípulo inferior (5) nos respectivos orifícios (12) no corta-relva.
- ◆ Pressione o manípulo até onde for possível.
- ◆ Fixe o manípulo com ajuda dos parafusos (13).

Montagem e colocação do saco da relva (fig. D1 - D4)

GR270/GR280/GR290

- ◆ Coloque a estrutura (14) no saco (15) conforme o mostrado (fig. D1).
- ◆ Fixe a estrutura na margem de fixação (16) utilizando um manípulo em forma de colher ou uma ferramenta redonda semelhante (fig. D2). Para facilitar a montagem, trabalhe na ordem indicada na fig. D3.
- ◆ Levante a patilha (17) e coloque a estrutura de metal do saco da relva na ranhura (18) (fig. D4).

GR233

- ◆ Alinhe as duas metades do saco da relva.
- ◆ Pressione nas duas metades ao mesmo tempo.
- ◆ Encaixe o saco da relva no corta-relva até que faça clique.

UTILIZAÇÃO



Deixe que a ferramenta funcione à vontade. Não a sobrecarregue.

Ajuste da altura de corte (fig. E)



Desligue o aparelho da corrente e espere até que a lâmina pare de rodar antes de prosseguir.

A altura do corte é ajustada através da mudança da altura das rodas.

- ◆ Solte as rodas (8) rodando-as para fora da posição de bloqueadas.
- ◆ Coloque as rodas na altura desejada.
- ◆ Rode as rodas até à posição de bloqueadas, certificando-se de que todas as rodas estão definidas para a mesma altura.

Como ligar e desligar a ferramenta (fig. F)

Como ligar a ferramenta

- ◆ Segure no manípulo com ambas as mãos e incline-o ligeiramente para baixo para levantar a parte da frente do aparelho.
- ◆ Mantenha o botão de destravamento (2) para baixo e puxe o interruptor de ligar/desligar (1) na sua direcção.
- ◆ Solte o botão de destravamento.
- ◆ Deixe o aparelho voltar à sua posição de funcionamento.

Como desligar a ferramenta

- ◆ Para desligar a ferramenta, solte o interruptor.



Nunca tente travar a chave na posição ligada.

Cortar relva (fig. G & H)

Recomendamos que utilize este aparelho de cortar relva tal como descrito nesta secção para obter melhores resultados e para diminuir o risco de corte do cabo principal.

- ◆ Coloque o enrolador do cabo principal no campo, perto do ponto de partida (posição 1 na fig. G).
- ◆ Ligue o aparelho como acima descrito.

- ◆ proceda como mostrado na fig. G:
 - ◆ Mova da posição 1 para a posição 2.
 - ◆ Vire para a direita e siga em frente como na posição 3.
 - ◆ Vire para a esquerda e vá em frente como na posição 4.
- ◆ Repita o procedimento acima como necessário.



Não trabalhe em direcção ao cabo como mostrado na fig. H.

Esvaziar o saco da relva

- ◆ Quando vir relva solta a dispersar-se por baixo do aparelho, esvazie o saco da relva.



Nunca utilize o aparelho sem o saco de relva.

Sugestões para uma melhor utilização

- ◆ Se a relva for mais do que 10 cm, faça dois cortes para obter um melhor acabamento. Primeiro corte à altura máxima de corte, depois utilize uma altura de corte baixa ou média.
- ◆ Para obter óptimos resultados, corte apenas relva seca.

MANUTENÇÃO

Esta ferramenta Black & Decker foi desenvolvida para funcionar por um longo período, com um mínimo de manutenção. O funcionamento contínuo e satisfatório depende da limpeza regular e cuidado adequado da ferramenta.



Antes de qualquer procedimento de manutenção, desligue a máquina no interruptor e retire a tomada da corrente.

- ◆ Utilize regularmente uma espátula sem corte para remover relva e a sujidade do aparelho.



Não utilize nenhum detergente abrasivo ou de base solvente.

Manutenção da lâmina

- ◆ Retire regularmente a relva e a sujidade da lâmina.
- ◆ No início da época de jardinagem, verifique cuidadosamente o estado da lâmina.

- ◆ Caso a lâmina esteja demasiado embotada, afie ou substitua a lâmina.
- ◆ Caso a lâmina esteja danificada ou gasta, coloque uma nova como abaixo descrito.

Substituição da lâmina (fig. I)

Poderá obter lâminas para substituição através de seu revendedor Black & Decker (referência em catálogo A6182).



- ◆ Desligue o aparelho da corrente e espere até que a lâmina pare de rodar antes de prosseguir.
- ◆ Tome cuidado para não se cortar. Utilize luvas para trabalhos pesados ou um pano para agarrar na lâmina.
- ◆ Utilize apenas a lâmina de substituição especificada.
- ◆ Não retire o impulsor (21) seja qual for a razão.

- ◆ Vire o aparelho de lado.
- ◆ Segure na lâmina (19) com uma mão.
- ◆ Utilize a chave fornecida para desapertar e remover a porca da lâmina (20).
- ◆ Substitua a lâmina.
- ◆ Volte a colocar a anilha (se colocada antes) e a porca.
- ◆ Aperte bem a porca da lâmina.

RESOLUÇÃO DE PROBLEMAS

Se a sua ferramenta não estiver a funcionar adequadamente, siga as instruções abaixo. Se não solucionar o problema, contacte um centro de assistência técnica da Black & Decker.



Antes de continuar, desligue a ferramenta da tomada.

O motor trabalha mas a lâmina não de move



Desligue o aparelho e remova a ficha da tomada.

- ◆ Remova cuidadosamente quaisquer obstruções da lâmina.

Nenhum barulho e a lâmina não se move

- ◆ Verifique se os cabos de alimentação estão correctamente conectados.
- ◆ Verifique os fusíveis.

PROTECÇÃO DO MEIO AMBIENTE



A Black & Decker oferece facilidades para a reciclagem dos seus produtos uma vez que os mesmos tenham alcançado o final de suas vidas úteis. Este serviço é fornecido sem encargos. Para utilizá-lo, devolva o seu produto a qualquer agente de reparação autorizado, que se encarregará de recolher o equipamento em nosso nome.

Para verificar a localização do agente de reparação mais próximo de si, contacte o escritório local da Black & Decker no endereço indicado neste manual. Se preferir, consulte a lista de agentes autorizados da Black & Decker e os dados completos dos nossos serviços de atendimento pós-venda na Internet no endereço:

www.2helpU.com.

GARANTIA

A Black & Decker confia na qualidade de seus produtos e oferece um programa de garantia excelente. Esta declaração de garantia soma-se aos seus direitos legais e não os prejudica em nenhum aspecto. A garantia será válida nos territórios dos Estados Membros da União Europeia e na Área de Livre Comércio da Europa.

Caso algum produto da Black & Decker apresente avarias devido a defeitos de material, mão-de-obra ou ausência de conformidade no prazo de 24 meses a partir da data de compra, a Black & Decker garantirá a substituição das peças defeituosas, a reparação dos produtos que foram submetidos a uso adequado e remoção ou substituição dos mesmos para assegurar o mínimo de inconvenientes ao cliente a menos que:

- ◆ O produto tenha sido utilizado para fins comerciais, profissionais ou aluguer;
- ◆ O produto tenha sido submetido a uso incorrecto ou descuido;

- ◆ O produto tenha sofrido danos causados por objectos estranhos, substâncias ou acidentes;
- ◆ Tenha um histórico de reparações efectuadas por terceiros que não sejam os agentes autorizados ou profissionais de manutenção da Black & Decker.

Para activar a garantia, será necessário enviar a prova de compra ao revendedor ou agente de reparação autorizado. Para verificar a localização do agente de reparação mais próximo de si contacte o escritório local da Black & Decker no endereço indicado neste manual. Se preferir, consulte a lista de agentes autorizados da Black & Decker e os dados completos de nossos serviços de atendimento pós-venda na Internet no endereço: **www.2helpU.com**.

OUTRAS FERRAMENTAS PARA JARDIM

A Black & Decker possui uma grande variedade de ferramentas que facilitam o trabalho no jardim. Se desejar obter mais informações sobre os produtos a seguir mencionados, contacte o nosso Serviço a Clientes (veja a página de endereços no final deste manual) ou contacte o revendedor local da Black & Decker.

Aparadores
Electrosserras
Tesoura de relva
Corta-sebes
Corta-relvas
Vassouras para relvado
Aspiradores de folhas
Trituradores

Nem todos os produtos estão disponíveis em todos os países.

GRÄSKLIPPARE GR233/GR270/GR280/GR290

BÄSTE KUND!


Tack för att du har valt ett verktyg från Black & Decker. Vi hoppas att du kommer att få glädje av verktyget i många år.

CE-FÖRSÄKRAN OM ÖVERENSSTÄMMELSE

CE GR233/GR270/GR280/GR290
Black & Decker förklarar att dessa verktyg är konstruerade i överensstämmelse med: 98/37/EEG, 89/336/EEG, 73/23/EEG, EN 55014, EN 60335, EN 61000, 2000/14/EEG, Gräsklippare, L ≤ 50 cm, Annex VIII, No. 0086
B.S.I., HP2 4SQ, England

Ljudnivå, uppmätt enligt 2000/14/EEG:

L_{PA} (ljudtryck)	dB(A)	81
L_{WA} (ljudeffekt)	dB(A)	95
L_{WA} (garanterad)	dB(A)	96

 Använd hörselskydd om ljudnivån överskrider 85 dB(A).

Det vägda geometriska medelvärdet av vibrationsfrekvensen enligt EN 50144:

< 2,5 m/s²



Kevin Hewitt
Director of Consumer Engineering
Spennymoor, County Durham DL16 6JG,
United Kingdom
4-2-2002

ANVÄNDNINGSSOMRÅDE

Din Black & Decker gräsklippare är utformad och tillverkad för gräsklippning.

Verktyget är endast avsett som konsumentverktyg.

SÄKERHETSINSTRUKTIONER

Symboler

Följande symboler har använts i bruksanvisningen:



Anger risk för personskada, livsfara eller skada på verktyg om du inte följer de instruktioner som står i bruksanvisningen.



Anger risk för elektrisk stöt.



Läs bruksanvisningen innan du använder verktyget.

Lär känna



- ♦ **Varning!** När man använder elektriska verktyg med nätström är det viktigt att man bl.a. följer nedanstående säkerhetsanvisningar för att minska risken för brand, elektriska stötar och personsador.
- ♦ Läs bruksanvisningen noga innan du använder verktyget.
- ♦ Var säker på att du vet hur man stänger av verktyget innan du börjar använda det.
- ♦ Verktyget är avsett för användning som beskrivs i denna bruksanvisning. Använd endast tillbehör och tillsatser som är rekommenderade i bruksanvisningen och katalogerna. Användning av annat verktyg eller tillbehör kan innebära risk för personskada.
- ♦ Spara bruksanvisningen för framtida bruk.

Arbetsområde

- ◆ Utsätt inte verktyget för regn. Använd inte verktyget när det är fuktigt eller vått.
- ◆ Använd verktyget endast vid dagsljus eller i bra belysning.

Personskydd

- ◆ Skydda fötterna genom att använda kraftiga skor eller stövlar. Gå aldrig barfota eller i öppna sandaler när du använder verktyget.
- ◆ Skydda benen genom att använda långbyxor.

Användning av verktyget

- ◆ Kontrollera att verktyget är avstängt innan du sätter i kontakten.
- ◆ Var uppmärksam. Titta på det du gör. Använd sunt förnuft.
- ◆ Använd inte verktyget när du är trött.
- ◆ Stäng genast av verktyget och drag ut kontakten om det börjar vibrera onormalt. Vänta tills verktyget har stannat helt och kontrollera om det finns skador eller lösa delar.
- ◆ Dra aldrig i sladden för att dra ur stickkontakten. Utsätt inte sladden för värme, olja eller skarpa kanter.
- ◆ Stäng genast av verktyget och dra ut kontakten om sladden skulle skadas under användning. Rör inte sladden förrän kontakten är urdragen.

Andra personers säkerhet

- ◆ Låt aldrig barn, eller personer som inte har läst denna bruksanvisning använda verktyget.
- ◆ Tillåt inte barn, besökande eller djur att komma i närheten av arbetsplatsen eller att röra verktyget eller sladden.
- ◆ Tänk på att användaren kan göras ansvarig för skada på annan person eller egendom.

Efter användning

- ◆ Stäng av verktyget, dra ut kontakten och vänta tills de roterande delarna har stannat helt innan du lämnar verktyget utan tillsyn, eller innan du börjar byta ut, rengöra eller kontrollera någon del på verktyget.
- ◆ När verktyget inte används skall det förvaras på en torr plats. Se till att barn inte kan få tag på verktyget.

Kontroll och reparation

- ◆ Kontrollera om det finns skador eller defekta delar på verktyget, innan det används. Kontrollera att de rörliga delarna inte har fastnat eller är felmonterade. Kontrollera även att övriga delar och skydd inte är skadade och att det inte föreligger några andra fel som kan påverka verktygets funktion.
- ◆ Använd inte verktyget om någon del är skadad eller defekt. Använd inte verktyget om det inte kan kopplas till och från med strömbrytaren.
- ◆ Använd aldrig verktyget utan att alla skydd och kåpor är på plats.
- ◆ Kontrollera att verktyget fungerar riktigt och kan utföra de funktioner det är avsett för.
- ◆ Om fel uppstår skall delarna repareras eller bytas ut av en auktoriserad Black & Decker serviceverkstad.
- ◆ Kontrollera innan användning, om sladden är skadad, sliten eller börjar bli gammal.
- ◆ Använd aldrig verktyget om sladden är skadad eller trasig.
- ◆ Om sladden är skadad måste den bytas ut av en behörig reparatör för att man ska kunna undvika risker.
- ◆ Försök aldrig att ta bort eller byta ut andra delar än dem som nämns i denna bruksanvisning.

Extra säkerhetsanvisningar för gräsklippare.

Följande varningssymboler återfinns på verktyget:



Använd skyddsglasögon under arbetet med maskinen.



Kniven stannar först några sekunder efter det att verktyget har stängts av. Försök aldrig stanna kniven med våld.



Tillåt inte barn och djur att uppehålla sig närmare arbetsområdet än 6 meter.



Undvik att utsätta verktyget för regn och hög luftfuktighet.



Stäng av verktyget, dra ut kontakten och vänta tills de roterande delarna har stannat helt innan du lämnar verktyget utan tillsyn, eller innan du börjar byta ut, rengöra eller kontrollera någon del på verktyget.

- ♦ Innan du börjar använda verktyget, skall du se till att kniven, knivmuttern och klippenheten inte är slitna eller skadade. Kontrollera att knivmuttern är ordentligt åtdragen.
- ♦ Kontrollera om gräsuppsamlaren är sliten eller skadad och byt ut den om det behövs. Använd aldrig verktyget utan gräsuppsamlaren.
- ♦ Innan du börjar arbeta ska du kontrollera att arbetsområdet är fritt från pinnar, stenar, ståltråd och andra föremål.
- ♦ Håll alltid verktyget i rätt läge, med kniven nära marken, som bilderna visar. Starta aldrig verktyget i något annat läge.
- ♦ Håll händer och fötter borta från kniven när verktyget startas.
- ♦ Använd alltid verktyget med båda händerna.
- ♦ När du för handtaget neråt för att sätta igång verktyget, luta inte mer än nödvändigt. Se till att ha båda händerna på handtaget och att fötterna är på säkert avstånd från kniven innan du sätter ner verktyget igen.
- ♦ Undvik kroppskontakt med kniven när verktyget är igång. Ha händer och fötter på säkert avstånd från kniven. Akta dig för att ha händer och fötter nära eller under roterande delar.
- ♦ Spring aldrig, utan gå när du använder verktyget. Dra aldrig verktyget mot dig, eller gå baklänges under klippningen.
- ♦ Arbeta inte i branta sluttningar. Se till att du står stadigt. Tänk på att nyklippt gräs är fuktigt och halt.
- ♦ Var försiktig i närheten av rabatter, grusgångar eller vägar, eftersom kniven kan slunga upp jord och sten.
- ♦ Lyft aldrig upp verktyget förrän knivarna har stannat helt.
- ♦ Var noga med att hålla undan sladden från kniven. Håll alltid reda på var sladden finns.
- ♦ Om verktyget skulle börja vibrera mer än normalt, eller om du skulle stöta på ett främmande föremål, skall du stänga av verktyget och dra ur väggkontakten.

Kontrollera att apparaten är oskadat.

- ♦ Använd endast reservdelar och tillbehör som rekommenderas av Black & Decker.

ELEKTRISK SÄKERHET

Verktyget är endast avsett för en spänning. Kontrollera alltid att nätspänningen överensstämmer med värdet på märkplåten.



Verktyget är dubbelisolerat motsvarande EN 60335.

- ♦ Undvik kroppskontakt med jordade ytor (t.ex. metallräcken, lyktstolpar m.m.).
- ♦ Elsäkerheten kan förbättras ytterligare genom användning av en jordfelsbrytare med hög känslighet (30 mA/30 mS).

Användning med förlängningssladd

Använd alltid en godkänd förlängningssladd som är lämpad för verktygets strömförbrukning (se märkplåten). Förlängningssladden måste vara avsedd för utomhusbruk.

- ♦ Innan användning, kontrollera att sladden inte är skadad eller sliten. Byt ut förlängningssladden om den är skadad.
- ♦ Om du använder en sladdvinda, vira alltid av hela sladden.

ÖVERSIKT (fig. A)

1. Strömbrytare
2. Låsknapp
3. Strömbrytarbox
4. Övre handtaget
5. Nedre handtaget
6. Gräsuppsamlare
7. Motorkåpa
8. Hjul

MONTERING



Se till att verktyget är avstängt samt att det inte är anslutet innan monteringen börjar.

Hopsättning av handtaget (fig. B)

- ♦ Montera de nedre handtagsdelarna (9) på det övre handtaget (4) med (10) och muttrarna (11) som framgår av bilden.

Montering av handtaget (fig. C)

- ♦ Sätt in de nedre handtagsändarna (5) i hålen (12) på gräsklipparen.
- ♦ Tryck handtaget neråt så långt som möjligt.
- ♦ Fäst handtaget med skruvarna (13).

Hopsättning och montering av gräsupsamlaren (fig. D1 – D4)

GR270/GR280/GR290

- ♦ Sätt i ramen (14) i påsen (15) som bilden visar (fig. D1).
- ♦ Sätt fast ramen i klämkanterna (16) med hjälp av ett skedskaft eller något annat rundat redskap (fig. D2). Förr att underlätta hopsättningen, följ den ordningsföljd som framgår av fig. D3.
- ♦ Lyft upp klaffen (17) och sätt i gräsupsamlarens metallram i spåret (18) (fig. D4).

GR233

- ♦ Passa ihop gräsupsamlarens två halvor.
- ♦ Tryck de två halvor mot varandra.
- ♦ Kläm fast den hopsatta gräsupsamlaren på gräsklipparen och se till att den snäpper fast.

ANVÄNDNING



Överbelasta inte maskinen, låt den arbeta i sin egen takt.

Justera klipphöjden (fig. E)



Koppla bort strömtilförseln från elnätet och vänta tills kniven har slutat rotera innan du fortsätter.

Klipphöjden justeras genom att man justerar höjden på de två hjulen.

- ♦ Lossa på hjulen (8) genom att svänga dem ur deras låslägen.
- ♦ Justera hjulen till önskad höjd.
- ♦ Vrid hjulen tillbaka till låslägena, och kontrollera hjulen har samma höjd.

Start och stopp (fig. F)

Start

- ♦ Håll handtaget med båda händer och för det lätt neråt så att verktygets främre del lyfts upp.
- ♦ Håll låsknappen (2) nertryckt och dra strömbrytaren (1) mot dig.
- ♦ Släpp låsknappen.
- ♦ Låt verktyget återgå till sitt arbetsläge.

Stopp

- ♦ Släpp strömbrytaren för att stänga av verktyget.



Försök aldrig låsa en strömbrytare i startläge.

Gräsklippning (fig. G & H)

För att du ska få absolut bästa resultat och undvika att klippa av sladden, rekommenderar vi att du använder gräsklipparen så som det beskrivs i detta avsnitt.

- ♦ Placera den större delen av sladden på gräsmattan, intill startläget (position 1 på fig. G).
- ♦ Sätt igång verktyget som beskrivet ovan.
- ♦ Fortsätt som på fig. G.
 - ♦ Fortsätt från läge 1 till läge 2.
 - ♦ Vänd åt höger och fortsätt mot läge 3.
 - ♦ Vänd åt vänster och fortsätt mot läge 4.
- ♦ Gör om detta så många gånger som behövs.



Kör inte mot sladden enligt fig. H.

Tömning av gräsupsamlaren

- ♦ När klippt gräs spridas under och runt gräsklipparen, är det dags att tömma gräsupsamlaren.



Använd aldrig verktyget utan gräsupsamlare.

Råd för bästa resultat

- ♦ Om gräset skulle vara längre än 10 cm. bör man klippa två gånger för att få bästa resultat. Klipp först med max. klipphöjd och använd sedan mellanläget.

- ◆ För att få bästa möjliga resultat bör du bara klippa gräs som är torrt.

SKÖTSEL

Ditt Black & Decker verktyg har tillverkats för att fungera under lång tid med ett minimum av skötsel. Med rätt underhåll och regelbunden rengöring bibehåller verktyget sin prestanda.



Vid underhåll och skötsel skall verktyget vara avstängt och sladden utdragen.

- ◆ Använd regelbundet en trubbig skrapa för att få bort gräs från verktyget.



Använd aldrig rengöringsmedel med lösnings- eller slipmedel i.

Knivens skötsel

- ◆ Ta regelbundet bort smuts och gräs från kniven.
- ◆ När trädgårdssäsongen börjar, bör man noga undersöka i vilket skick kniven är.
- ◆ Om kniven är mycket slö, bör den slipas eller bytas ut.
- ◆ Om kniven skulle vara skadad eller utsliten, bör man byta ut den enligt nedanstående beskrivning.

Byte av kniv (fig. I)

Utbyteskniv finns hos din Black & Decker återförsäljare (kat. nr. A6182).



- ◆ Koppla bort strömtillförseln från elnätet och vänta tills kniven har slutat rotera innan du fortsätter.
 - ◆ Var försiktig så att du inte skär dig. Använd kraftiga skyddshandskar eller en bit tyg för att fatta om kniven.
 - ◆ Använd endast specificerad utbyteskniv.
 - ◆ Tag aldrig bort hjulet (21) oavsett orsak.
- ◆ Lägg verktyget på sidan.
 - ◆ Fatta tag i kniven (19) med ena handen.
 - ◆ Använd den medföljande nyckeln för att lossa och ta av knivmuttern (20).
 - ◆ Byt ut kniven.

- ◆ Sätt tillbaka brickan (om den fanns där innan) och muttern.
- ◆ Dra åt knivmuttern ordentligt.

FELSÖKNING

Följ anvisningarna nedan om något problem uppkommer. Kontakta din auktoriserade Black & Decker serviceverkstad om du inte kan lösa problemet.



Dra ur sladden innan du fortsätter.

Motorn är hörbart i gång men kniven rör sig inte



Stäng av verktyget och dra ur kontakten.

- ◆ Ta försiktigt bort allt som kan hindra att kniven ej rör sig.

Inget hörs och kniven rör sig inte

- ◆ Se till att sladden är korrekt anslutten.
- ◆ Kontrollera elnätets säkringar.

MILJÖ



När ditt verktyg är utslitet, skydda naturen genom att inte slänga det tillsammans med vanligt avfall. Lämnna det till de uppsamlingsställen som finns i din kommun eller där du köpt verktyget.

RESERVDELAR / REPARATIONER

Reservdelar finns att köpa hos auktoriserade Black & Decker verkstäder, som även ger kostnadsförslag och reparerar våra produkter.

Förteckning över våra auktoriserade verkstäder finns på Internet, vår hemsida www.blackdecker.se samt www.2helpU.com.

GARANTI

Black & Decker garanterar att produkten är fri från material- och/eller fabriktionsfel vid leverans till kund. Garantin är i tillägg till konsumentens lagliga rättigheter och påverkar inte dessa. Garantin gäller inom medlemsstaterna i Europeiska Unionen och i det Europeiska Frihandelsområdet.

Om en Black & Decker produkt går sönder på grund av material- och/eller fabriktionsfel eller brister i överensstämmelse med specifikationen, inom 24 månader från köpet, åtar sig Black & Decker att reparera eller byta ut produkten med minsta besvär för kunden.

Garantin gäller inte för fel som beror på:

- ◆ normalt slitage
- ◆ felaktig användning eller skötsel
- ◆ att produkten skadats av främmande föremål, ämnen eller genom olyckshändelse

Garantin gäller inte om reparation har utförts av någon annan än en auktoriserad Black & Decker verkstad.

För att utnyttja garantin skall produkten och inköpskvittot lämnas till återförsäljaren eller till en auktoriserad verkstad senast 2 månader efter det att felet har upptäckts. För information om närmaste auktoriserade verkstad; kontakta det lokala Black & Decker kontoret på den adress som är angiven i bruksanvisningen. En lista på alla auktoriserade verkstäder samt servicevillkor finns även tillgängligt på Internet, adress: **www.2helpU.com**.

ANDRA TRÄDGÅRDSREDSKAP

Black & Decker AB har ett brett sortiment av verktyg för utomhusbruk som gör arbetet i trädgården enklare. Kontakta närmaste Black & Decker återförsäljare för ytterligare information eller besök vår hemsida www.blackdecker.se

Mossrivare
Häcksaxar
Kedjesågar
Gräsklippare
Grästrimmare
Trädgårdsstädare
Kompostkvarnar

En del produkter är inte tillgängliga i alla länder.

GRESSKLIPPER GR233/GR270/GR280/GR290

KJÆRE KUNDE!


Takk for at du har valgt et Black & Decker verktøy. Vi håper at du vil ha glede av dette verktøyet i mange år fremover.

CE-SIKKERHETSERKLÆRING

CE GR233/GR270/GR280/GR290
Black & Decker erklærer at disse verktøy er konstruert i henhold til:
98/37/EØF, 89/336/EØF, 73/23/EØF,
EN 55014, EN 60335, EN 61000,
2000/14/EØF, Gressklipper, L ≤ 50 cm,
Annex VIII, No. 0086
B.S.I., HP2 4SQ, England

Lydnivået, målt i henhold til 2000/14/EØF:

L_{pA} (lydnivå)	dB(A)	81
L_{WA} (akustisk effekt)	dB(A)	95
L_{WA} (garantert)	dB(A)	96

 Bruk hørselsbeskyttelse dersom lydnivået overskrider 85 dB(A).

Den veide geometriske middelverdien av vibrasjonsfrekvensen i følge EN 50144:

< 2,5 m/s²



Kevin Hewitt
Director of Consumer Engineering
Spennymoor, County Durham DL16 6JG,
United Kingdom
4-2-2002

BRUKSOMRÅDER

Din Black & Decker gressklipper er utformet og produsert for gressklipping. Verktøyet er tiltenkt kun som konsumentverktøy.

SIKKERHETSINSTRUKSJONER

Symboler

Følgende symboler brukes i denne bruksanvisningen:



Betegner risiko for personskade, livsfare eller skade på verktøyet dersom instruksene i denne bruksanvisningen ikke følges.



Betegner risiko for elektrisk støt.



Les bruksanvisningen før du bruker verktøyet.

Bli kjent med verktøyet



- ◆ **Advarsel!** Ved bruk av elektroverktøy må du alltid følge en del grunnleggende sikkerhetsregler, inkludert følgende, for å redusere faren for brann, elektrisk støt og personskade.
- ◆ Les hele bruksanvisningen før du begynner å bruke verktøyet.
- ◆ Vær sikker på at du vet hvordan man slår av verktøyet i et nødstilfelle før du begynner å bruke det.
- ◆ Bruk ikke verktøyet til formål det ikke er ment for. Bruk bare tilbehør og utstyr som anbefales i denne bruksanvisningen, og kun som angitt her. Bruk av annet utstyr, tilbehør eller andre metoder kan medføre mulig risiko for personskade.
- ◆ Oppbevar bruksanvisningen på et lett tilgjengelig sted.

Arbeidsområde

- ◆ Ikke utsett verktøyet for regn. Ikke bruk verktøyet i fuktige eller våte omgivelser.
- ◆ Bruk bare verktøyet i dagslys eller med bra belysning.

Personlig vern

- ◆ Bruk solide sko eller støvler, slik at du beskytter føttene. Bruk ikke verktøyet når du bruker sandaler eller går barfoot.
- ◆ Beskytt bena ved å bruke langbukser.

Bruk av verktøyet

- ◆ Pass på at verktøyet er slått av når du setter inn støpslet.
- ◆ Vær oppmerksom. Se på det du gjør. Bruk sunn fornuft.
- ◆ Bruk ikke verktøyet når du er trett.
- ◆ Hvis verktøyet begynner å vibrere på en unormal måte, slår du det av og trekker ut kontakten. Vent til roterende deler har stanset, og kontroller for eventuelle skader eller løse deler.
- ◆ Ikke trekk i ledningen når du skal kople fra støpslet. Utsett ikke ledningen for varme, olje, eller skarpe kanter.
- ◆ Hvis strømkabelen er blitt skadet under bruk, slår du av verktøyet og trekker ut støpslet umiddelbart. Du må ikke berøre strømledningen før du har koblet den fra strømforsyningen.

Andre persons sikkerhet

- ◆ La aldri barn eller personer som ikke har lest denne bruksanvisningen benytte verktøyet.
- ◆ Ikke la barn, besøkende eller dyr komme i nærheten av arbeidsområdet eller berøre verktøyet eller strømledningen.
- ◆ Husk at brukeren kan holdes ansvarlig for ulykker eller skader som rammer andre mennesker eller deres eiendeler.

Etter bruk

- ◆ Slå av verktøyet, trekk ut støpslet og kontroller at bevegelige deler har stanset før du går fra verktøyet, bytter, rengjør eller kontrollerer noen av delene på verktøyet.
- ◆ Når verktøyet ikke er i bruk, må det oppbevares på et tørt sted. Oppbevares utilgjengelig for barn.

Kontroll og reparasjon

- ◆ Før bruk må du kontrollere verktøyet med hensyn til skader eller defekter. Kontroller at de bevegelige delene ikke har satt seg fast eller er feilmontert. Kontroller også at de øvrige delene og beskyttelsene ikke er skadet, og at det ikke foreligger noen andre feil som kan påvirke verktøyets funksjon.
- ◆ Bruk aldri verktøyet hvis noen av delene er skadet. Ikke bruk verktøyet hvis det ikke er mulig å slå det på og av med strømbryteren.
- ◆ Bruk aldri verktøyet hvis beskyttelsesinnretningene er skadet eller ikke er på plass.
- ◆ Kontroller at verktøyet fungerer som det skal, og utfører beregnet funksjon.
- ◆ Hvis feil oppstår, skal delene repareres eller byttes ut av et autorisert Black & Decker-serviceverksted.
- ◆ Før bruk må du kontrollere om strømledningen er skadet eller slitt.
- ◆ Bruk aldri verktøyet hvis strømledningen er skadet.
- ◆ Hvis strømledningen er skadet, må den byttes ut av en autorisert reparasjonstekniker for å unngå farlige situasjoner.
- ◆ Prøv aldri å fjerne eller bytte andre deler enn de som er angitt i denne bruksanvisningen.

Ytterligere sikkerhetsinstruksjoner for gressklippere

Du finner følgende varselssymboler på verktøyet:



Ha på deg vernebriller når du bruker dette verktøyet.



Kniven fortsetter å gå i et par sekunder etter at verktøyet er slått av. Prøv aldri å tvinge kniven til å stoppe.



Andre personer og dyr må holde en avstand på minst 6 meter fra arbeidsområdet.



Ikke utsett verktøyet for regn eller miljøer med høy fuktighet.



Slå av verktøyet, trekk ut støpslet og kontroller at bevegelige deler har stanset før du går fra verktøyet, bytter, rengjør eller kontrollerer noen av delene på verktøyet.

- ◆ Før du bruker verktøyet må du kontrollere at kniven, knivmutteren og klippeenheten ikke er slitt eller skadet. Sjekk at knivmutteren er strammet godt.
- ◆ Sjekk gressoppsamleren for slitasje eller skade, og bytt om hvis nødvendig. Du må aldri bruke verktøyet uten gressoppsamler.
- ◆ Før du bruker verktøyet, må du sjekke at arbeidsområdet er fritt for kvister, steiner, ståltråder og andre gjenstander.
- ◆ Bruk bare verktøyet i riktig stilling, med kniven mot bakken, som vist i illustrasjonene. Verktøyet må aldri slås på i andre stillinger.
- ◆ Når du slår på verktøyet, må du holde hender og føtter unna kniven.
- ◆ Bruk alltid begge hender når du arbeider med verktøyet.
- ◆ Ikke vipp verktøyet mer enn nødvendig når du vipper håndtaket ned for å slå verktøyet på. Hold begge hender på håndtaket og føttene i god avstand fra kniven før du setter verktøyet på bakken igjen.
- ◆ Unngå at kniven kommer i kontakt med kroppsdeler mens verktøyet er i gang. Hold hender og føtter unna kniven. Pass på at ikke hender eller føtter kommer i nærheten av eller under bevegelige deler.
- ◆ Ikke løp, men gå når du bruker verktøyet. Ikke trekk verktøyet mot deg eller gå bakover.
- ◆ Ikke arbeid i bratte skråninger. Pass på at du har godt fotfeste. Husk at nyklipt gress er fuktig og glatt.
- ◆ Vær forsiktig når du klipper i nærheten av kanter, grusganger eller veier, fordi kniven kan forårsake sprut av jord og grus.
- ◆ Ikke løft verktøyet før kniven har stoppet helt.
- ◆ Pass på at ledningen holdes i god avstand fra kniven. Pass på at du alltid vet hvor ledningen er.
- ◆ Hvis verktøyet begynner å vibrere på en unormal måte, eller du treffer et fremmedlegeme, må du slå av verktøyet og trekke støpslet ut av kontakten. Kontroller verktøyet for eventuell skade.

- ◆ Bruk bare reservedeler og tilbehør fra Black & Decker.

ELEKTRISK SIKKERHET

Verktøyet er kun konstruert for én spenning.

Kontroller at nettspenningen er i overensstemmelse med spenningen på typeskiltet.



Dette verktøyet er kun beregnet for bruk med vekselstrøm. Du må ikke bruke annen strømforstyrning.



Verktøyet er dobbeltisolert i samsvar med EN 60335. Jordet ledning er derfor ikke nødvendig.

- ◆ Unngå å komme i kontakt med jodede overflater (f.eks. metallrekkverk, lyktestolper osv.).
- ◆ Strømsikkerheten kan forbedres ytterligere ved bruk av jordfeilbryter med høy følsomhet (30 mA/30 mS).

Bruk med skjøteledning

Bruk en godkjent skjøteledning som er egnet for dette verktøyets kraftbehov (se typeskiltet).

Skjøteledningen må være egnet for utendørs bruk.

- ◆ Før bruk må du kontrollere at ledningen ikke er skadet eller slitt. Skift ut skjøteledningen hvis den er skadet.
- ◆ Hvis du bruker en kabeltrommel, vikl alltid ut all ledningen.

OVERSIKT (fig. A)

1. Strømbryter
2. Låseknapp
3. Bryterboks
4. Øvre håndtak
5. Nedre håndtak
6. Gressoppsamler
7. Motordeksel
8. Hjul

MONTERING



Før monteringen, må du passe på at verktøyet er slått av og at kontakten er trukket ut.

Montere håndtakdelene (fig. B)

- ◆ Sett de to nedre håndtakdelene (9) på øvre håndtak (4) ved hjelp av skruene (10) og mutrene (11), som vist.

Montere håndtaket (fig. C)

- ◆ Sett endene av nedre håndtak (5) i tilhørende hull (12) i gressklipperen.
- ◆ Trykk håndtaket så langt ned det går.
- ◆ Fest håndtaket ved hjelp av skruene (13).

Montere og sette på gressoppsamleren (fig. D1 – D4)

GR270/GR280/GR290

- ◆ Sett rammen (14) inn i posen (15) som vist (fig. D1).
- ◆ Fest rammen i klemmekantene (16) ved hjelp av håndtaket på en skje eller et lignende avrundet verktøy (fig. D2). For å forenkle monteringen, følg rekkefølgen i fig. D3.
- ◆ Løft klaffen (17) og sett metallrammen til gressoppsamleren i sporet (18) (fig. D4).

GR233

- ◆ Sett de to halvdelene til gressoppsamleren inntil hverandre.
- ◆ Trykk de to halvdelene sammen.
- ◆ Klem den monterte gressoppsamleren på klipperen og la den låses på plass.

BRUK



La verktøyet jobbe i sin egen hastighet. Ikke overbelast.

Justere klippehøyden (fig. E).



Kople verktøyet fra strømtilførselen og vent til kniven har sluttet å rotere før du går videre.

Klippehøyden justeres ved å endre høyde på hjulene.

- ◆ Utløs hjulene (8) ved å dreie dem ut av låst posisjon.
- ◆ Still hjulene til ønsket høydeinnstilling.

- ◆ Drei hjulene tilbake til låst posisjon. Kontroller at alle hjulene er stilt til samme høyde.

Start og stopp (fig. F)

Slå på

- ◆ Hold med begge hender i håndtaket, og vipp det litt nedover, slik at forsiden av verktøyet løftes.
- ◆ Hold låseknappen (2) nede, og trekk strømbryteren (1) mot deg.
- ◆ Slipp låseknappen.
- ◆ Sett verktøyet tilbake i driftsposisjon.

Slå av

- ◆ Slipp strømbryteren for å slå verktøyet av.



Prøv aldri å låse en strømbryter i startstilling.

Gressklipping (fig. G & H)

Vi anbefaler at du bruker gressklipperen som forklart i denne delen for å oppnå optimale resultater og redusere risikoen for å klippe over strømledningen.

- ◆ Legg mesteparten av strømledningen på plenen, like ved startpunktet (posisjon 1 i fig. G).
- ◆ Slå på verktøyet, som forklart ovenfor.
- ◆ Fortsett som vist i fig. G:
 - ◆ Gå fra posisjon 1 til posisjon 2.
 - ◆ Snu mot høyre, og gå videre til posisjon 3.
 - ◆ Snu mot venstre, og gå videre til posisjon 4.
- ◆ Gjenta fremgangsmåten ovenfor som nødvendig.



Ikke gå mot ledningen, som vist i fig. H.

Tømme gressoppsamleren

- ◆ Når du ser at det kommer løst gress under klipperen, er det på tide å tømme gressoppsamleren.



Du må aldri bruke verktøyet uten gressoppsamler.

Råd for optimalt resultat

- ◆ Hvis gresset er lengre enn omtrent 10 cm, bør du klippe det i to omganger. Klipp først med maksimal klippehøyde.

Bruk deretter lav eller middels klippehøyde.

- ◆ Du oppnår optimale klipperesultater hvis du klipper gresset kun når det er tørt.

VEDLIKEHOLD

Ditt Black & Decker verktøy har blitt utformet for å være i drift over en lang periode med et minimum av vedlikeholdelse. Ved riktig vedlikehold og regelmessig rengjøring beholder verktøyet sin prestasjon.



Før du setter igang hvilke som helst vedlikeholdelse må verktøyet slås av og kontakten trekkes ut.

- ◆ Bruk en butt skraper til å fjerne gress og smuss fra verktøyet.



Ikke bruk slipende eller løsemiddelbaserte rengjøringsmidler.

Vedlikehold av kniven

- ◆ Fjern gress og smuss fra kniven regelmessig.
- ◆ Kontroller tilstanden til kniven i begynnelsen av sommersesongen.
- ◆ Hvis kniven er svært sløvt, må du skjerpe eller bytte det.
- ◆ Hvis kniven er skadet eller slitt, monteres et nytt blad som forklart nedenfor.

Bytte kniven (fig. 1)

Nye kniver kan kjøpes hos din Black & Decker-forhandler (kat. nr. A6182).



- ◆ Kople verktøyet fra strømtilførselen og vent til kniven har stanset før du går videre.
- ◆ Vær forsiktig så du ikke skjærer deg. Bruk kraftige hansker eller en klut når du tar i kniven.
- ◆ Bruk kun kniv av spesifisert type.
- ◆ Du må aldri fjerne hjulet (21).

- ◆ Legg verktøyet over på siden.
- ◆ Ta tak i kniven (19) med den ene hånden.
- ◆ Løsne og fjern knivmutteren (20) ved hjelp av vedlagte skrunøkkel.
- ◆ Bytt kniven.

- ◆ Sett på skiven (om montert tidligere) og mutteren.
- ◆ Stram knivmutteren.

PROBLEMLØSING

Hvis verktøyet ikke ser ut til å fungere som det skal, følger du instruksjonene nedenfor. Løser ikke dette problemet, kontakter du et autorisert Black & Decker serviceverksted.



Før du går videre, trekker du ut støpslet.

Motoren går, men kniven beveger seg ikke



Slå av verktøyet og trekk støpslet ut av kontakten.

- ◆ Fjern forsiktig alt som kan hindre kniven i å rotere.

Ingen motorlyd, kniven beveger seg ikke

- ◆ Kontroller at strømledningen er riktig tilkoblet.
- ◆ Kontroller strømsikringene.

MILJØ



Når verktøyet ditt er utslitt, beskytt naturen ved ikke å kaste det sammen med vanlig avfall. Lever det til en oppsamlingsplass som finnes i din kommune eller der hvor du kjøpte verktøyet.

RESERVDeler / REPARASJONER

Reservdelene kan kjøpes hos autoriserte Black & Decker serviceverksteder, som også gir kostnadsoverslag og reparerer våre produkter.

Oversikt over våre autoriserte serviceverksteder finnes på Internet, vår hjemmeside

www.blackdecker.no samt www.2helpU.com.

GARANTI

Black & Decker garanterer at produktet ikke har material- og/eller fabrikkasjonsfeil ved levering til kunde. Garantien er i tillegg til kundens lovlige rettigheter og påvirker ikke disse.

Garantien gjelder innen medlemsstatene i den Europeiske Unionen og i det Europeiske Frihandelsområdet.

Hvis et Black & Decker produkt går i stykker på grunn av material- og/eller fabrikkasjonsfeil eller har mangler i forhold til spesifikasjonene, innen 24 måneder fra kjøpet, påtar Black & Decker seg å reparere eller bytte ut produktet med minst mulig vanskelighet for kunden.

Garantien gjelder ikke for feil som kommer av:

- ◆ normal slittasje
- ◆ feilaktig bruk eller vedlikehold (mislighold)
- ◆ at produktet har blitt skadet av fremmede gjenstander, emner eller ved et uhell

Det gjøres oppmerksom på at produktet ikke er beregnet på industriell/profesjonell/yrkesmessig bruk, men til hus- og hjemmebruk.

Garantien gjelder ikke om reparasjoner har blitt utført av noen andre enn et autorisert Black & Decker serviceverksted.

For å ta garantien i bruk skal produktet og kjøpekvitteing leveres til forhandleren eller til et autorisert serviceverksted senest 2 måneder etter at feilen har blitt oppdaget. For informasjon om nærmeste autoriserte serviceverksted; kontakt det lokale Black & Decker kontoret på den adressen som er angitt i bruksanvisningen. En oversikt over alle autoriserte serviceverksteder samt servicevilkår finnes også tilgjengelig på Internet, adresse:

www.2helpU.com.

ANDRE HAGEVERKTØY

Black & Decker har et bredt sortiment av verktøy for utendørsbruk som gjør arbeidet i hagen enklere. Kontakt nærmeste Black & Decker forhandler for ytterligere informasjon eller besøk vår hjemmeside: **www.blackdecker.no**.

Mosefjerner
Gressklippere
Hekksakser
Kjedesager
Gresstrimmere
Løvfjerner
Kompostkverner

Ikke alle produkter er tilgjengelige i alle land.

PLÆNEKLIPPER GR233/GR270/GR280/GR290

Tak fordi du valgte Black & Decker. Vi håber, at du får glæde af dette værktøj i mange år fremover.

EU-OVERENSSTEMMELSESERKLÆRING



GR233/GR270/GR280/GR290
Black & Decker erklærer, at disse værktøjer er konstrueret i henhold til: 98/37/EØF, 89/336/EØF, 73/23/EØF, EN 55014, EN 60335, EN 61000, 2000/14/EØF, plæneklipper, L ≤ 50 cm, Annex VIII, No. 0086
B.S.I., HP2 4SQ, United Kingdom

Lydniveaueet målt i henhold til 2000/14/EØF:

L_{pA} (lydniveau)	dB(A)	81
L_{WA} (akustisk styrke)	dB(A)	95
L_{WA} (garanteret)	dB(A)	96



Anvend høreværn, hvis lydniveaueet overstiger 85 dB(A).

Den vægtede geometriske middelværdi af accelerationsfrekvensen i henhold til EN 50144:

< 2,5 m/s²

Kevin Hewitt

Director of Consumer Engineering
Spennymoor, County Durham DL16 6JG,
United Kingdom
4-2-2002

ANVENDELSESMRÅDE

Din Black & Decker plæneklipper er beregnet til græsslåning.

Værktøjet er kun beregnet til privat brug.

SIKKERHEDSINSTRUKTIONER

Piktogrammer

Følgende piktogrammer anvendes i denne brugsanvisning:



Angiver risiko for personskade, livsfare eller ødelæggelse af værktøjet, hvis brugsanvisningens instruktioner ikke følges.



Angiver risiko for elektrisk stød.



Læs brugsanvisningen igennem, inden værktøjet tages i brug.

Bliv fortrolig med din plæneklipper



- ◆ **Advarsel!** Ved brug af eldrevet værktøj skal de grundlæggende sikkerhedsforanstaltninger, altid følges, således at risikoen for brand, elektrisk stød og personskader begrænses.
- ◆ Læs denne brugsanvisning omhyggeligt igennem, inden apparatet tages i brug.
- ◆ Inden du tager apparatet i brug, skal du sikre dig, at du ved, hvordan apparatet slukkes i et nødstilfælde.
- ◆ Værktøjet skal anvendes som det anvises i denne brugsanvisning. Anvendelsen af andet tilbehør eller udførelse af andre opgaver med denne maskine end de her anbefalede kan medføre risiko for personskader.
- ◆ Opbevar brugsanvisningen til fremtidig brug.

Arbejdsområde

- ◆ Udsæt ikke maskinen for regn. Anvend ikke maskinen under fugtige eller våde forhold.
- ◆ Brug kun maskinen i dagslys eller med god kunstig belysning.

Personlig beskyttelse

- ◆ Bær kraftige sko eller støvler til beskyttelse af fødderne. Man må ikke arbejde med apparatet, når man har åbne sandaler på eller er barfodet.
- ◆ Bær lange bukser til beskyttelse af benene.

Brugen af maskinen

- ◆ Sørg for, at maskinen er slukket, når ledningen tilsluttes strømmen.
- ◆ Vær opmærksom. Se på det, du gør. Brug din sunde fornuft.
- ◆ Brug ikke maskinen, når du er træt.
- ◆ Hvis maskinen begynder at vibrere unormalt, skal det afbrydes, og stikket skal trækkes ud af stikkontakten. Lad de roterende dele standse helt, og undersøg maskinen for eventuelle skader og løse dele.
- ◆ Træk aldrig i ledningen for at tage stikket ud af kontakten. Ledningen skal holdes på afstand fra varme, olie og skarpe kanter.
- ◆ Hvis elledningen er blevet beskadiget under brug, skal maskinen slukkes, og stikket trækkes øjeblikkeligt ud af stikkontakten. Rør ikke ved elledningen, før den er trukket ud af stikkontakten.

Andre persons sikkerhed

- ◆ Tillad ikke, at børn eller personer, der ikke har læst denne brugsanvisning, bruger maskinen.
- ◆ Børn, besøgende eller dyr må ikke nærme sig arbejdsområdet eller røre ved maskinen eller netkablet.
- ◆ Husk, at brugeren kan gøres ansvarlig for ulykker eller skader, der påføres andre personer eller deres ejendom.

Efter brug

- ◆ Sluk maskinen, træk stikket ud af stikkontakten, og forvis dig om, at de bevægelige dele er holdt op med at rotere, før maskinen efterlades uden tilsyn, samt før en eller flere dele ændres, renses eller undersøges.

- ◆ Når maskinen ikke er i brug, skal det opbevares et tørt sted. Børn må ikke have adgang til det opbevarede apparat.

Undersøgelse og reparation

- ◆ Før brug skal maskinen kontrolleres for skader eller defekte dele. Check de bevægelige dele for skæv indstilling og sammenbrændinger, kontrollér for brud på dele, skader på skærme og kontakter samt alt andet, der kan påvirke apparatets funktion.
- ◆ Maskinen må ikke benyttes, hvis en af delene er beskadiget eller defekt. Brug ikke maskinen, hvis den ikke kan tændes og slukkes ved hjælp af afbryderen.
- ◆ Brug aldrig maskinen, hvis en af sikkerhedsskærmene eller afskærmningerne er beskadiget eller fjernet.
- ◆ Kontrollér, at maskinen fungerer rigtigt og kan udføre det arbejde, det er beregnet til.
- ◆ Skadede eller defekte dele skal repareres eller udskiftes af en autoriseret tekniker.
- ◆ Før brug skal ledningen kontrolleres for tegn på skader, ældning og slid.
- ◆ Brug ikke maskinen, hvis ledningen er beskadiget eller defekt.
- ◆ Hvis ledningen er skadet, skal den udskiftes af en autoriseret reparatør for at undgå faresituationer.
- ◆ Forsøg aldrig at fjerne eller udskifte andre dele end dem, der er specificeret i denne brugsanvisning.

Yderligere sikkerhedsforskrifter for plæneklippere

Følgende advarselssymboler findes på apparatet:



Det anbefales at bære sikkerhedsbriller, når man arbejder med dette værktøj.



Kniven fortsætter med at rotere i et par sekunder, efter at der er slukket for apparatet. Man må aldrig tvinge kniven til standsning.



Hold mennesker og dyr mindst 6 meter fra græsslåningsområdet.



Udsæt ikke maskinen for regn eller høj fugtighed.



Sluk maskinen, træk stikket ud af stikkontakten, og forvis dig om, at de bevægelige dele er holdt op med at rotere, før apparatet efterlades uden tilsyn, samt før en eller flere dele ændres, renses eller undersøges.

- ◆ Inden maskinen bruges skal det kontrolleres, at kniven, knivens møtrik og skæreanordningen ikke er slidt eller beskadiget. Kontroller, at knivens møtrik er sikkert fastspændt.
- ◆ Kontroller græsopsamleren for slid eller beskadigelse og udskift posen om nødvendigt. Brug aldrig maskinen uden græsopsamleren.
- ◆ Før du benytter maskinen, skal du kontrollere, at græsslåningsområdet er fri for pinde, sten, tråd eller andre genstande.
- ◆ Brug kun maskinen i den korrekte position med kniven nede ved jorden som vist på tegningerne. Tænd aldrig for maskinen, når det er i en anden position.
- ◆ Tænd kun for maskinen, når hænder og fødder er i sikker afstand fra kniven.
- ◆ Brug altid begge hænder til at betjene maskinen.
- ◆ Når grebet trykkes ned for at tænde for maskinen, må det ikke trykkes længere ned end nødvendigt. Sørg for at have begge hænder på grebet og at fødderne er i en sikker afstand fra kniven, før du sætter maskinen ned på jorden igen.
- ◆ Undgå kropskontakt med kniven, mens maskinen er i gang. Hold hænder og fødder i en sikker afstand fra kniven. Hold hænder og fødder på afstand af de roterende dele.
- ◆ Gå og løb aldrig, når du bruger maskinen. Træk ikke maskinen mod dig og gå ikke baglæns, når du bruger maskinen.
- ◆ Arbejd ikke på meget stejle skrånninger. Sørg for, at du har et sikkert fodfæste. Vær opmærksom på, at frisk afskåret græs er fugtigt og fedtet.
- ◆ Pas på når du slår græs i nærheden af kanter og grusstier eller veje, idet sten og jord kan sættes i bevægelse af kniven.

- ◆ Man må ikke løfte maskinen, før kniven er fuldstændig i ro.
- ◆ Sørg for at holde ledningen væk fra kniven. Vær altid opmærksom på, hvor ledningen er.
- ◆ Hvis maskinen begynder at vibrere unormalt eller hvis du rammer et fremmedobjekt, skal du slukke for maskinen og trække stikket ud af stikkontakten. Kontroller maskinen for eventuelle beskadigelser.
- ◆ Brug kun anbefalede reservedele og tilbehør fra Black & Decker.

ELEKTRISK SIKKERHED

Værktøjet er kun beregnet til én spænding.

Kontroller, at strømforsyningen svarer til spændingen på typeskiltet.



Dette værktøj er kun designet til brug med vekselstrømsforsyning (AC). Forsøg ikke at bruge nogen anden form for elforsyning.



Værktøjet er dobbelt isoleret i henhold til EN 60335; jordledning er derfor ikke påkrævet.

- ◆ Undgå kropskontakt med jordede overflader (f.eks. metalgelændere, lygtepæle osv.).
- ◆ Den elektriske sikkerhed kan forbedres yderligere ved brug af en højfølsom (30 mA / 30 mS) fejlstrømsafbryder (RCD).

Anvendelse af forlængerledning

Brug altid en godkendt forlængerledning, der passer til strømstikket på dette værktøj (se typeskiltet). Forlængerledningen skal være velegnet til udendørs brug.

- ◆ Før brug kontrolleres elledningen for tegn på skader, slid og ældning. Udskift forlængerledningen, hvis den bliver beskadiget eller defekt.
- ◆ Ved anvendelse af en kabeltromle, skal kablet altid vindes helt ud.

OVERSIGT (fig. A)

1. Afbryder
2. Låseknop
3. Strømafbryder
4. Øvre greb

5. Nedre greb
6. Græsopsamler
7. Motordæksel
8. Hjul

MONTERING



Før montering skal man sikre sig, at værktøjet er slukket og taget ud af stikkontakten.

Montering af grebet (fig. B)

- ◆ Monter de to dele af det nedre greb (9) til det øvre greb (4) med skruerne (10) og møtrikkerne (11) som vist på tegningen.

Montering af grebet (fig. C)

- ◆ Indsæt enderne af det nedre greb (5) i de tilsvarende huller (12) i plæneklipperen.
- ◆ Tryk grebet ned i hullet så dybt som muligt.
- ◆ Fastgør grebet ved hjælp af skruerne (13).

Samling og påsætning af græsopsamleren (fig. D1 – D4)

GR270/GR280/GR290

- ◆ Indsæt rammen (14) i posen (15) som vist (fig. D1).
- ◆ Fastgør rammen i klemjernene (16) ved hjælp af skaffet på en ske, dækjern, eller et lignende afrundet værktøj (fig. D2). Udfør arbejdet i den angivne rækkefølge (se fig. D3) for at lette samlingen.
- ◆ Løft fligen (17) og anbring græsopsamlerens metalramme i spalten (18) (fig. D4).

GR233

- ◆ Justér græsopsamler to halvdele som vist.
- ◆ Tryk de to halvdele sammen.
- ◆ Sæt den monterede græsopsamler på plæneklipperen og lad den klikke på plads.

ANVENDELSE



Lad maskinen arbejde i eget tempo. Det forhindrer den i at blive overbelastet.

Justering af skærehøjden (fig. E)



Afbryd strømmen til maskinen ved at trække stikket ud af stikkontakten. Vent til kniven er holdt op med at rotere, før du fortsætter.

Skærehøjden justeres ved at ændre hjulenes højde.

- ◆ Frigør hjulene (8) ved at dreje dem ud af den låste position.
- ◆ Indstil hjulene i den ønskede højde.
- ◆ Drej hjulene tilbage i låst position og kontroller, at alle hjulene er indstillet til samme højde.

Start og stop (fig. F)

Tænding

- ◆ Hold grebet med begge hænder og tryk det lidt ned for at løfte apparatets forside.
- ◆ Hold låseknappen (2) inde, og træk afbryderen (1) mod dig.
- ◆ Slip låseknappen.
- ◆ Lad apparatet vende tilbage i arbejdsstilling.

Slukning

- ◆ Sluk for apparatet ved at slippe afbryderen.



Forsøg aldrig at fastlåse afbryderen, mens maskinen er tændt.

Græsslåning (fig. G)

Vi anbefaler, at du bruger din plæneklipper som skitseret i dette afsnit til at opnå det bedste resultat og til at reducere risikoen for at skære ledningen over.

- ◆ Læg størstedelen af ledningen på græsplanen i nærheden af startpunktet (se position 1 i fig. G).
- ◆ Tænd for maskinen som beskrevet foroven.
- ◆ Fortsæt som vist i fig. G:
 - ◆ Flyt plæneklipperen fra position 1 til position 2.
 - ◆ Drej til højre og gå til position 3.
 - ◆ Drej til venstre og gå til position 4.
- ◆ Gentag ovennævnte fremgangsmåde efter behov.



Arbejd ikke mod ledningen som vist i fig. H.

Tømning af græsopsamleren

- ♦ Tøm græsopsamleren, når du kan se, at løst græs spredes fra plæneklipperens bund.



Brug aldrig maskinen uden græsopsamleren.

Gode råd til optimalt brug

- ♦ Hvis græsset er længere end ca. 10 cm, anbefales det at slå græs i to omgange umiddelbart efter hinanden for at opnå et bedre klipperesultat. Slå først græsset med maksimal skærehøjde og derefter med lav eller mellemhøj skærehøjde.
- ♦ Hvis du vil opnå optimale klipperesultater, skal du kun slå græs, når det er tørt.

VEDLIGEHOLDELSE

Deres Black & Decker værktøj er blevet designet til at være i drift gennem en længere periode med en minimal vedligeholdelse. Forsat tilfredsstillende drift afhænger af en korrekt behandling af værktøjet samt regelmæssig rengøring.



Før udførelse af vedligeholdelsesarbejde, skal værktøjet slukkes og tages ud af stikkontakten.

- ♦ Brug jævnligt en stump skraber til at fjerne græs og snavs fra apparatet.



Man må ikke bruge slibemidler eller opløsningsmidler.

Vedligeholdelse af kniven

- ♦ Fjern jævnligt græs og snavs fra kniven.
- ♦ Undersøg nøje knivens tilstand i begyndelsen af havesæsonen.
- ♦ Hvæs eller udskift kniven, hvis den er meget stump.
- ♦ Monter en ny kniv som beskrevet herunder, hvis kniven er beskadiget eller nedslidt.

Udskiftning af kniven (fig. 1)

Knive til udskiftning kan købes hos din Black & Decker-forhandler (katalognummer A6182).



- ♦ Afbryd strømmen til apparatet ved at trække stikket ud af stikkontakten. Vent til kniven er holdt op med at rotere, før du fortsætter.
- ♦ Vær forsigtig og pas på, at du ikke skærer dig selv. Bær stærke arbejdshandsker eller tag en klud til at gribe kniven med.
- ♦ Skift kun ud med specificerede knive.
- ♦ Fjern ikke rotoren (21).

- ♦ Læg apparatet på siden.
- ♦ Grib kniven (19) med en hånd.
- ♦ Løsn knivens møtrik med den medleverede skrueøgle og fjern knivens møtrik (20).
- ♦ Udskift kniven.
- ♦ Monter spændeskiven (såfremt den var monteret) og møtrikken igen.
- ♦ Spænd knivens møtrik godt fast.

FÆJLFINDING

Hvis værktøjet ikke virker korrekt, skal du gøre følgende. Hvis dette ikke løser problemet, kontakt et Black & Decker servicecenter.



Afbryd værktøjet, før du fortsætter.

Motoren brummer, men kniven bevæges ikke



Sluk for maskinen og træk stikket ud af stikkontakten.

- ♦ Fjern forsigtigt eventuelle genstande, der hindrer kniven i at bevæge sig.

Intet motorstøj og kniven bevæges ikke

- ♦ Kontrollér, at strømkablerne er ordentligt tilsluttet.
- ♦ Kontrollér sikringerne.

MILJØ



Når dit værktøj er udtjent, beskyt da naturen ved ikke at smide det ud sammen med det almindelige affald. Aflever det til de opsamlingssteder, der findes i din kommune eller der hvor du købte værktøjet.

RESERVEDELE / REPARATIONER

Reserve dele kan købes hos autoriserede Black & Decker serviceværksteder, som giver forslag til omkostninger og reparerer vore produkter. Oversigt over vore autoriserede værksteder findes på internettet på vor hjemmeside www.blackdecker.dk samt www.2helpU.com.

GARANTI

Black & Decker garanterer, at produktet er fri for materielle skader og/eller fabrikations- fejl ved levering til kunden. Garantien er et tillæg til konsumentens lovlige rettigheder og påvirker ikke disse. Garantien gælder indenfor medlemsstaterne af den Europæiske Union og i det Europæiske Frihandelsområde.

Hvis et Black & Decker produkt går i stykker på grund af materiel skade og/eller fabrikationsfejl eller på anden måde ikke fungerer i overensstemmelse med specifikationen, inden for 24 måneder fra købsdatoen, påtager Black & Decker sig at reparere eller ombytte produktet med mindst muligt besvær for kunden.

Garantien gælder ikke for fejl og mangler, der er sket i forbindelse med:

- ◆ normal slitage
- ◆ uheldige følger efter unormal anvendelse af værktøjet
- ◆ overbelastning, hærværk eller overdrevent intensivt brug af værktøjet
- ◆ ulykkeshændelse

Garantien gælder ikke hvis reparationer er udført af nogen anden end et autoriseret Black & Decker værksted.

For at udnytte garantien skal produktet og købskvitteringen indleveres til forhandleren eller til et autoriseret værksted, senest 2 måneder efter at fejlen opdages. For information om nærmeste autoriserede værksted: kontakt det lokale Black & Decker kontor på den adresse som er opgivet i brugsanvisningen. Liste over alle autoriserede Black & Decker serviceværksteder samt servicevilkår er tilgængelig på internettet, på adressen www.2helpU.com.

ANDET HAVEVÆRKTØJ

Black & Decker har et stort sortiment af haveværktøj, som gør havearbejdet let. Hvis De ønsker yderligere information omkring vore produkter, bedes De sætte dem i kontakt med vore Service- og informationscentre, eller sæt Dem i forbindelse med Deres lokale Black & Decker forhandler.

Græstrimmere
Kædesave
Hækkeklippere
Beskærersakse
Plæneklippere
Løvsugere
Kompostkværne

En del af produkterne findes ikke i alle lande.

RUOHONLEIKKURI GR233/GR270/GR280/GR290

Kiitos, että olet valinnut Black & Decker -koneen. Toivomme, että nautit koneen käytöstä monen vuoden ajan.

CE-

VAATIMUSTENMUKAISUUSVAKUUTUS



GR233/GR270/GR280/GR290

Black & Decker vakuuttaa, että nämä työkalut ovat

98/37/EC, 89/336/EEC, 73/23/EEC, EN 55014, EN 60335, EN 61000, 2000/14/EC, ruohonleikkuri, L ≤ 50 cm, Annex VIII, No. 0086 mukaiset. B.S.I., HP2 4SQ, Iso-Britannia

Melutaso, mitattu 2000/14/EC:n mukaisesti:

L_{pA} (äänenpaine)	dB(A)	81
L_{WA} (ääniteho)	dB(A)	95
L_{WA} (taattu)	dB(A)	96



Käytä kuulosuojaimia, jos melutaso ylittää 85 dB(A).

Tärinätaajuuden painotettu geometrinen keskiarvo EN 50144 mukaisesti:

< 2,5 m/s²

Kevin Hewitt

Director of Consumer Engineering
Spennymoor, County Durham DL16 6JG,
United Kingdom
4-2-2002

KÄYTTÖTARKOITUS

Black & Decker ruohonleikkuri on suunniteltu ruohon leikkaamiseen.

Kone on tarkoitettu kotikäyttöön.

TURVALLISUUSOHJEET

Merkit

Tässä käyttöohjeessa käytetään seuraavia merkkejä:



Osoittaa henkilövahingon, hengenmenetyksen tai konevaurion vaaraa, mikäli käyttöohjeen neuvoja ei noudateta.



Osoittaa sähköiskun vaaraa.



Käyttöohje huolellisesti ennen koneen käyttöönottoa.

Tutustu koneeseen



- ♦ **Varoitus!** Sähkötyökaluja käytettäessä on aina noudatettava mm. seuraavia turvallisuusohjeita, jotta tulipalojen, sähköiskujen ja henkilövahinkojen riski olisi mahdollisimman pieni.
- ♦ Lue käyttöohje huolellisesti ennen koneen käyttöönottoa.
- ♦ Varmista, että osaat sammuttaa koneen, ennen kuin käynnistät sen.
- ♦ Koneen käyttötarkoitus kerrotaan tässä käyttöohjeessa. Käytä konetta ainoastaan sellaiseen työhön, johon se on tarkoitettu, ja käytä vain käyttöohjeessa suositeltuja tarvikkeita ja lisälaitteita. Ohjeesta poikkeava käyttö voi aiheuttaa onnettomuuden.
- ♦ Säilytä käyttöohje kaikkien koneen käyttäjien ulottuvilla.

Työskentelyalue

- Älä altista konetta sateelle. Älä käytä sitä kosteissa tai valaise työskentelyalue hyvin.
- Käytä konetta vain päivänvalossa tai voimakkaassa keinovalaistuksessa.

Suojavaatetus

- Suojele jalkojasi käyttämällä tukevia kenkiä tai saappaita. Älä käytä konetta avojaloin tai avokärkiset sandaalit jalassa.
- Käytä pitkiä housuja suojataksesi jalkoja.

Koneen käyttö

- Varmista, että kone on pois päältä, ennen kuin kytket sen virtalähteeseen.
- Ole tarkkaavainen. Keskity työhösi. Käytä tervettä järkeä.
- Älä käytä sähkötyökäluä, kun olet väsynyt.
- Jos kone alkaa tärästä epänormaalisti, kytkte se pois päältä ja irrota pistoke virtalähteestä. Odota, kunnes pyörivät osat ovat pysähtyneet ja tarkista, onko kone vaurioitunut tai osat löystyneet.
- Älä koskaan irrota pistoketta virtalähteestä vetämällä johdosta. Suojaa johto kuumuudelta, öljyltä ja teräviltä reunoilta.
- Jos sähköjohto vaurioituu käytön aikana, sammuta kone ja irrota pistoke virtalähteestä välittömästi. Älä liikuta sähköjohtoa ennen irrotusta verkkovirrasta.

Muiden turvallisuus

- Älä anna lasten tai kenenkään, joka ei ole lukenut tätä käyttöohjetta tai tutustunut koneeseen, käyttää konetta.
- Älä anna lasten, vieraiden tai eläinten tulla lähelle työskentelyaluetta tai koskea koneeseen tai sähköjohtoon.
- Muista, että käyttäjä on vastuussa muille ihmisille tai heidän omaisuudelleen aiheutuvista onnettomuuksista tai vaaratilanteista.

Käytön jälkeen

- Sammuta kone, irrota pistoke virtalähteestä ja varmista, että liikkuvien osien pyörintä on loppunut, ennen kuin jätät koneen ilman valvontaa sekä ennen koneen osien vaihtoa, puhdistusta tai tarkastusta.

- Säilytä konetta kuivassa paikassa, kun se ei ole käytössä. Varmista, että lapset eivät pääse käsiksi koneisiin.

Tarkistus ja korjaukset

- Tarkista ennen käyttöä, ettei koneessa ole vaurioita tai viallisia osia. Tarkista, etteivät liikkuvat ja muut osat sekä suoja ole viallisia, ja että kaikki muut käyttöön mahdollisesti vaikuttavat tekijät ovat kunnossa.
- Älä käytä konetta, jos jokin sen osista on viallinen. Älä käytä konetta, jos se ei käynnisty ja pysähdy virrankatkaisijasta.
- Älä koskaan käytä konetta, jos jokin suoja tai kotelo on vaurioitunut tai ei ole paikallaan.
- Varmista, että kone toimii oikein ja täyttää tehtävänsä.
- Viallinen osa tulee korjata tai tulee se valtuutetussa Black & Deckerin huoltoliikkeessä.
- Tarkista sähköjohto ennen käyttöä vaurioiden, vanhenemisen tai kulumien varalta.
- Älä koskaan käytä konetta, jos sähköjohto on vaurioitunut tai viallinen.
- Jos sähköjohto on vaurioitunut, sen saa vaihtaa vain valtuutetussa Black & Deckerin huoltoliikkeessä vaaratilanteiden välttämiseksi.
- Älä koskaan yritä irrottaa tai vaihtaa sellaisia osia, joita ei ole määritelty tässä oppaassa.

Lisäturvaohjeet ruohonleikkurille

Koneessa on seuraavat varoitusmerkit:



Käytä suojalaseja konetta käyttäessäsi.



Terä jatkaa pyörimistään lyhyen aikaa koneen sammutuksen jälkeen. Älä koskaan pakota terää pysähtymään.



Työskentele vähintään 6 m:n etäisyydellä ihmisistä ja eläimistä.



Älä altista konetta sateelle tai kosteudelle.



Sammuta kone, irrota pistoke virtälähteestä ja varmista, että liikkuvien osien pyörintä on loppunut, ennen kuin jätät koneen ilman valvontaa sekä ennen koneen osien vaihtoa, puhdistusta tai tarkastusta.

- ◆ Tarkista ennen koneen käyttöä, ettei terä, terämutteri ja leikkuukokoonpano ole kulunut tai vaurioitunut. Tarkista, että terämutteri on tiukasti kiinni.
- ◆ Tarkista kokooja kulumisen ja vaurioiden varalta ja vaihda se tarvittaessa. Älä koskaan käytä konetta ilman kokooja.
- ◆ Tarkista ennen koneen käyttöä, ettei työskentelyalueella ole oksia, kiviä, metallilankaa tai muita esteitä.
- ◆ Käytä konetta vain oikeassa asennossa terä lähellä maata kuvien mukaisesti. Älä koskaan käynnistä konetta missään muussa asennossa.
- ◆ Ennen käynnistystä varmista, että kädet ja jalat ovat pois terän tieltä.
- ◆ Käytä konetta aina molemmilla käsillä.
- ◆ Kytke kone päälle kallistamalla kädensijaa alaspäin. Älä kallista enempää kuin on tarpeen. Varmista, että molemmat kädet ovat kädensijan päällä ja että jalat ovat poissa terän läheltä ennen kuin lasket koneen takaisin maahan.
- ◆ Vältä kosketusta terään koneen ollessa käynnissä. Pidä kädet ja jalat poissa terän luota. Älä laita käsiä tai jalkoja pyörivien osien lähelle tai niiden alle.
- ◆ Älä koskaan juokse konetta käyttäessäsi vaan kävele. Älä vedä konetta itseesi päin tai kävele takaperin sen kanssa.
- ◆ Älä työskentele jyrkissä rinteissä. Varmista, että seisot tukevasti. Muista, että juuri leikattu ruoho on kosteaa ja liukasta.
- ◆ Ole varovainen leikatessasi reunoja, sorapolkuja tai teitä, sillä terästä voi singota kiviä ja multaa.
- ◆ Älä koskaan nosta konetta ennen kuin terä on täysin pysähtynyt.
- ◆ Pidä sähköjohto pois terän tieltä. Varmista, että tiedät aina johdon sijainnin.
- ◆ Jos kone alkaa täräistä epänormaalisti tai jos osut vieraaseen esineeseen, sammuta kone ja irrota virtajohto pistorasiasta.

Tarkista, onko kone vaurioitunut.

- ◆ Käytä vain Black & Deckerin suosittelemia varaosia ja tarvikkeita.

SÄHKÖINEN TURVALLISUUS

Kone on suunniteltu käytettäväksi vain yhdellä jännitteellä. Tarkista aina, että virtälähde vastaa arvokilvessä ilmoitettua jännitettä.



Kone on kaksoiseristetty EN 60335:n mukaisesti.

- ◆ Vältä kosketusta maadoitettuihin pintoihin (esim. metallikaiteisiin, lyhtypylväisiin jne.).
- ◆ Sähköistä turvallisuutta voidaan parantaa käyttämällä erittäin herkkää (30 mA / 30 mS) vikavirtasuojaa.

Jatkojohdon käyttö

Käytä aina oikeanlaista jatkojohtoa, joka sopii tämän koneen virransyöttöliitäntään (katso arvokilpi). Jatkojohdon tulee olla ulkokäyttöön tarkoitettu.

- ◆ Tarkista ennen käyttöä, ettei sähköjohto ole viallinen tai kulunut. Vaihda viallinen jatkojohto.
- ◆ Jos käytät jatkojohtokelaa, kelaa johto aina täysin auki.

YLEISKUVAUS (kuva A)

1. Virrankatkaisija
2. Lukitusnappi
3. Kytkinrasia
4. Yläkädensija
5. Alakädensija
6. Kokooja
7. Moottorin kansi
8. Pyörä

OKOAMINEN



Ennen kokoamista varmista, että kone on pois päältä eikä sitä ole liitetty virtälähteeseen.

Kädensijan kokoaminen (kuva B)

- ◆ Sovita kaksi alakädensijan osaa (9) yläkädensijaan (4) käyttäen ruuveja (10) ja muttereita (11) kuvan osoittamalla tavalla.

Kädensijan asennus (kuva C)

- ◆ Asenna alakädensijan päät (5) leikkurissa oleviin reikiin (12).
- ◆ Työnnä kädensija niin alas kuin mahdollista.
- ◆ Kiinnitä kädensija ruuveilla (13).

Kokoojan kokoaminen ja asennus (kuva D1 - D4)

GR270/GR280/GR290

- ◆ Työnnä kehikko (14) pussiin (15) kuvan D1 osoittamalla tavalla.
- ◆ Kiinnitä runko lukitusosiin (16) käyttäen apuna lusikan vartta tai muuta pyöreää työkalua (kuva D2). Helpottaaksesi kokoamista noudata kuvan D3 järjestystä.
- ◆ Nosta luukku (17) ja aseta kokoojan metallikehikko uraan (18) (kuva D4).

GR233

- ◆ Sovita kokoojan puoliskot toisiinsa.
- ◆ Paina puoliskot yhteen.
- ◆ Kiinnitä koottu kokooja leikkuriin ja varmista, että se kiinnittyy paikalleen.

KÄYTTÖ



Anna koneen käydä omaan tahtiinsa. Älä ylikuormita sitä.

Leikkuukorkeuden säätö (kuva E)



Irrota koneen virtajohto pistorasiasta ja odota, kunnes terä on pysähtynyt. Jatka vasta sitten.

Leikkuukorkeutta säädetään muuttamalla pyörien korkeutta.

- ◆ Vapauta pyörät (8) vetämällä ne pois lukitusasennosta.
- ◆ Sääda pyörät halutulle korkeudelle.
- ◆ Laita pyörät takaisin lukitusasentoon. Varmista, että kaikki pyörät ovat samalla korkeudella.

Käynnistys ja pysäytys (kuva F)

Koneen käynnistys

- ◆ Pidä kädensijasta kiinni molemmilla käsillä ja paina sitä hieman alaspäin niin, että koneen etuosaa nousee.
- ◆ Pidä lukitusnappia (2) painettuna sisään ja vedä virrankatkaisijaa (1) itseäsi kohti.
- ◆ Päästä irti lukitusnapista.
- ◆ Palauta kone takaisin työasentoon.

Koneen pysäytys

- ◆ Sammuta kone päästämällä irti virrankatkaisijasta.



Älä koskaan yritä lukita virrankatkaisijaa käynnistysasentoon.

Ruohon leikkaaminen (kuvat G & H)

Saadaksesi parhaimman tuloksen ja välttääksesi johdon leikkaantumisen suosittelemme, että leikkaat nurmikon tässä kappaleessa kuvatulla tavalla.

- ◆ Aseta suurin osa johdosta nurmikolle lähelle aloituskohtaa (kohta 1 kuvassa G).
- ◆ Käynnistä kone yllä kuvatulla tavalla.
- ◆ Toimi kuvassa G osoitetulla tavalla:
 - ◆ Siirry kohdasta 1 kohtaan 2.
 - ◆ Käännä oikealle ja jatka kohti kohtaa 3.
 - ◆ Käännä vasemmalle ja jatka kohti kohtaa 4.
- ◆ Toista yllä kuvattu toimintatapa tarpeen vaatiessa.



Älä leikkaa kuten kuvassa H eli johtoa kohti.

Kokoojan tyhjentäminen

- ◆ Tyhjennä kokooja, kun näet leikkurin alta tulevan irtonaista ruohoa.



Älä koskaan käytä konetta ilman kokooja.

Vinkkejä parhaimman tuloksen saamiseksi

- ◆ Jos ruohon pituus ylittää 10 cm, leikkaa kaksi kertaa parhaimman tuloksen saamiseksi. Leikkaa ensin suurimmalla leikkuukorkeudella ja sen jälkeen keskikorkeudella.
- ◆ Saadaksesi parhaimman tuloksen leikkaa ainoastaan kuivaa ruohoa.

HUOLTO

Black & Deckerin kone on suunniteltu toimimaan mahdollisimman pitkään aikaa mahdollisimman vähällä huollolla. Oikealla huollolla ja säännöllisellä puhdistuksella kone säilyttää suorituskykynsä.



Ennen huoltoa ja puhdistusta tulee koneen olla pois päältä ja pistokkeen irti virtalähteestä.

- ◆ Poista ruoho ja lika säännöllisesti koneesta tylsällä kaapimella.



Älä koskaan käytä puhdistamiseen liuotainaineita tai syövyttäviä puhdistusaineita.

Terän huolto

- ◆ Irrota ruoho ja lika säännöllisesti terästä.
- ◆ Tarkista terän kunto huolellisesti aina puutarhakauden alussa.
- ◆ Jos terä on hyvin tylsä, teroita tai vaihda se.
- ◆ Jos terä on vaurioitunut tai kulunut, vaihda se uuteen alla kuvatulla tavalla.

Terän vaihto (kuva I)

Uusia teriä myyvät Black & Decker tuotteiden jälleenmyyjät (tuotenro A6182).



- ◆ Irrota koneen virtajohto pistorasiasta ja odota, kunnes terä on pysähtynyt. Jatka vasta sitten.
- ◆ Varo haavoittamasta itseäsi. Suojaa kädet paksuilla käsineillä tai paksulla kankaalla, kun tartut terään.
- ◆ Käytä vain tässä käyttöohjeessa mainittua terää.
- ◆ Älä koskaan poista pyörää (21) mistään systä.
- ◆ Käännä kone kyljelleen.
- ◆ Tartu terään (19) yhdellä kädellä.
- ◆ Löysennä ja irrota terämutteri (20) mukana tulleella kiintoavaimella.
- ◆ Vaihda terä.
- ◆ Laita aluslevy (jos ollut kiinni) ja mutteri takaisin.
- ◆ Kiristä terämutteri kunnolla.

VIANMÄÄRITYS

Jos kone ei näytä toimivan oikein, noudata seuraavia ohjeita. Jos kone ei tästä huolimatta toimi, ota yhteyttä valtuutettuun Black & Deckerin huoltopisteeseen.



Irrota kone virtalähteestä, ennen kuin jatkat.

Moottori käy, mutta terä ei liiku



Sammuta kone ja irrota virtajohto pistorasiasta.

- ◆ Poista kaikki, jotka voivat estää terää pyörimästä.

Ei ääntä ja terä ei liiku

- ◆ Tarkista, että johto on kunnolla kiinni.
- ◆ Tarkista verkkovirran sulakkeet.

YMPÄRISTÖ



Kun koneesi on käytetty loppuun, älä heitä sitä tavallisten roskien mukana pois, vaan vie se paikkakuntasi kierrätyskeskukseen tai jätä valtuutettuun Black & Deckerin huoltoliikkeeseen.

KORJAUKSET / VARAOSAT

Mikäli koneeseen tulee vikaa, jätä se aina Black & Deckerin valtuuttamaan huoltoliikkeeseen korjattavaksi (tiedot löytyvät uusimmasta tuoteluettelostamme tai ottamalla yhteyttä Black & Decker Oy:hyn). Varaosia myyvät valtuutetut Black & Deckerin huoltoliikkeet, ja heiltä voi myös pyytää kustannusarvion koneen korjauksesta.

Tiedot valtuutetuista huoltoliikkeistä löytyvät myös internetistä osoitteesta www.2helpU.com sekä kotisivuiltamme www.blackdecker.fi.

TAKUU

Black & Decker Oy takaa, ettei koneessa ollut materiaali- ja/tai valmistusvikaa silloin, kun se toimitettiin ostajalle. Takuu on lisäys kuluttajan laillisiin oikeuksiin eikä vaikuta niihin. Takuu on voimassa Euroopan Unionin jäsenmaissa ja Euroopan vapaakauppa-alueella (EFTA).

Mikäli Black & Decker -kone hajoaa materiaali- ja/ tai valmistusvirheen tai teknisten tietojen epätarkkuuden vuoksi 24 kk:n kuluessa ostopäivästä, Black & Decker korjaa koneen ilman kustannuksia ostajalle tai vaihtaa sen uuteen Black & Decker Oy:n valinnan mukaan.

Takuu ei kata vikoja, jotka johtuvat koneen

- ◆ normaalista kulumisesta
- ◆ ylikuormituksesta, virheellisestä käytöstä tai hoidosta
- ◆ vahingoittamisesta vieraalla esineellä tai aineella tai onnettomuustapauksessa.

Takuu ei ole voimassa, mikäli konetta on korjannut joku muu kuin Black & Deckerin valtuuttama huoltoliike.

Edellytyksenä takuun saamiselle on, että ostaja jättää koneen ja ostokuitin jälleenmyyjälle tai valtuutetulle huoltoliikkeelle viimeistään 2 kuukauden kuluessa vian ilmenemisestä. Tiedot valtuutetuista huoltoliikkeistä saa ottamalla yhteyttä Black & Decker Oy:hyn sekä internetistä osoitteesta **www.2helpU.com**, jossa on myös takuehdot.

MUITA PUUTARHATYÖKALUJA

Black & Deckerillä on laaja valikoima puutarhakoneita, jotka tekevät puutarhan hoidon helpoksi. Lisätietoja alla olevista tuotteista saat Black & Deckerin jälleenmyyjältä tai kotisivuiltamme **www.blackdecker.fi**.

Sammaleenpoistajat
Pensasleikkurit
Ketjusahat
Puutarhanpuhdistaja
Nurmikonviimeistelijät
Ruohonleikkurit
Oksasilppurit

ΧΛΟΟΚΟΠΤΙΚΗ ΜΗΧΑΝΗ

GR233/GR270/GR280/GR290

ΣΥΓΧΑΡΗΤΗΡΙΑ!

Έχετε επιλέξει ένα εργαλείο της Black & Decker. Στόχος μας είναι να σας προσφέρουμε εργαλεία ποιότητας σε προσιτές τιμές. Ευελπιστούμε ότι θα απολαύσετε τη χρήση αυτού του εργαλείου για πολλά χρόνια.

ΔΗΛΩΣΗ ΣΥΜΜΟΡΦΩΣΗΣ ΕΚ



GR233/GR270/GR280/GR290

Black & Decker δηλώνει ότι αυτά τα ηλεκτρικά εργαλεία σχεδιάστηκαν σύμφωνα με:
98/37/ΕΟΚ, 89/336/ΕΟΚ, 73/23/ΕΟΚ, EN 55014, EN 60335, EN 61000, 2000/14/ΕΟΚ, χλοοκοπτική μηχανή, L ≤ 50 cm, Annex VIII, No. 0086 B.S.I., HP2 4SQ, United Kingdom

Ανώτατο όριο ηχητικής πίεσης, μέτρηση κατά 2000/14/ΕΟΚ:

L_{pA} (ηχητική πίεση)	dB(A)	81
L_{WA} (ακουστική δύναμη)	dB(A)	95
L_{WA} (εγγυημένο προϊόν)	dB(A)	96



Λάβετε τα ενδεδειγμένα μέτρα προστασίας σε περίπτωση που η ακουστική πίεση υπερβαίνει τα 85 dB(A).

Ο σταθμισμένος τετραγωνικός μέσος όρος επιτάχυνσης κατά EN 50144:

< 2,5 m/s²

Kevin Hewitt

Διευθυντής μηχανολογίας
Spennymoor, County Durham DL16 6JG,
United Kingdom
4-2-2002

ΕΝΔΕΔΕΙΓΜΕΝΗ ΧΡΗΣΗ

Η χλοοκοπτική μηχανή της Black & Decker έχει σχεδιαστεί για την κοπή χόρτων. Αυτό το εργαλείο προορίζεται μόνο για ερασιτεχνική χρήση.

ΟΔΗΓΙΕΣ ΑΣΦΑΛΕΙΑΣ

Σύμβολα ασφαλείας

Στις παρούσες οδηγίες χρησιμοποιούνται τα ακόλουθα σύμβολα:



Συμβολίζει κίνδυνο τραυματισμού ή θανάτου ή βλάβης του εργαλείου σε περίπτωση που δεν τηρηθούν οι οδηγίες χρήσεως.



Συμβολίζει ηλεκτρική τάση.



Πριν χρησιμοποιήσετε το εργαλείο διαβάστε το παρόν εγχειρίδιο προσεκτικά.

Γνωρίστε το μηχανήμά σας



♦ **Προσοχή!** Κατά τη χρήση μηχανών που τροφοδοτούνται με ηλεκτρικό ρεύμα, θα πρέπει πάντα να λαμβάνονται οι βασικές προφυλάξεις ασφαλείας, για τον περιορισμό του κινδύνου πυρκαγιάς, ηλεκτροπληξίας και σωματικών βλαβών.

- ♦ Πριν χρησιμοποιήσετε το μηχάνημα διαβάστε προσεκτικά ολόκληρο το εγχειρίδιο.
- ♦ Πριν χρησιμοποιήσετε την μηχανή αυτό, βεβαιωθείτε ότι γνωρίζετε πώς να τη σβήσετε σε περίπτωση έκτακτης ανάγκης.
- ♦ Η ενδεχόμενη χρήση αναφέρεται σε αυτό το εγχειρίδιο. Τόσο η χρήση εξαρτημάτων ή προσθηκών όσο και η πραγματοποίηση εργασιών που δεν συνιστώνται στις οδηγίες αυτές εγκυμονεί κίνδυνο τραυματισμού.
- ♦ Φυλάξτε το εγχειρίδιο αυτό για μελλοντική αναφορά.
- ♦ Εάν το καλώδιο τροφοδοσίας πάθει ζημιά κατά τη διάρκεια της χρήσης, σβήστε την μηχανή και αφαιρέστε το φως από την πρίζα αμέσως. Μην αγγίζετε το καλώδιο τροφοδοσίας πριν αφαιρέσετε το φως από την πρίζα.

Ασφάλεια τρίτων

- ♦ Μην επιτρέπετε σε μικρά παιδιά ή σε άτομα που δεν έχουν διαβάσει το εγχειρίδιο οδηγιών ή που δεν έχουν εξοικειωθεί με την μηχανή να την χρησιμοποιήσουν.
- ♦ Μην επιτρέπετε σε παιδιά, επισκέπτες ή ζώα να πλησιάζουν στο χώρο εργασίας ή να αγγίζουν την μηχανή ή το καλώδιο τροφοδοσίας.
- ♦ Να έχετε υπόψη σας η ευθύνη για ατυχήματα ή κινδύνους για τρίτους ή την περιουσία τρίτων μπορεί να καταλογιστεί στο χειριστή.

Μετά τη χρήση

- ♦ Σβήστε την μηχανή, αφαιρέστε το φως από την πρίζα και βεβαιωθείτε ότι σταμάτησε η περιστροφή των κινητών μερών πριν αφήσετε την μηχανή χωρίς χειριστή και πριν αλλάξετε, καθαρίσετε ή επιθεωρήσετε οποιαδήποτε τμήματα της μηχανής.
- ♦ Όταν δεν χρησιμοποιείται, η μηχανή πρέπει να φυλάσσεται σε ξηρό χώρο. Τα παιδιά δεν πρέπει να έχουν πρόσβαση σε αποθηκευμένες μηχανές.

Επιθεώρηση και επισκευές

- ♦ Πριν από τη χρήση, ελέγξτε προσεκτικά την μηχανή για κατεστραμμένα ή ελαττωματικά μέρη. Ελέγξτε για τυχόν κακή ευθυγράμμιση και εμπλοκή των κινούμενων μερών, για μέρη που έχουν σπάσει, για τυχόν ζημιές στους προφυλακτικές και τους διακόπτες, και γενικά κάθε είδους συνθήκες οι οποίες ενδέχεται να επηρεάσουν τη λειτουργία της μηχανής.
- ♦ Μην χρησιμοποιείτε την μηχανή αν κάποιο εξάρτημά της παρουσιάζει ελάττωμα. Μην χρησιμοποιείτε την μηχανή, εάν ο διακόπτης δεν μπορεί να την θέσει εντός ή εκτός λειτουργίας.
- ♦ Ποτέ μην αποσυνδέετε την μηχανή από την πρίζα τραβώντας το καλώδιό της. Φροντίστε το καλώδιο να παραμένει μακριά από τη θερμότητα, τα λάδια και από αιχμηρές ακμές.

Χώρος εργασίας

- ♦ Μην εκθέτετε τη μηχανή σε υγρασία. Μην χρησιμοποιείτε τη μηχανή σε υγρό περιβάλλον ή σε παρουσία νερού.
- ♦ Χρησιμοποιείτε τη μηχανή μόνο στο φως της ημέρας ή σε καλό τεχνητό φως.

Ατομική προστασία

- ♦ Φορέστε χοντρά υποδήματα ή μπότες, για να προστατέψετε τα πόδια σας. Μην χειρίζεστε τη μηχανή φορώντας ανοιχτές μπροστά σαγιονάρες ή ξυπόλητοι.
- ♦ Φορέστε μακριά παντελόνια για να προστατέψετε τα πόδια σας.

Χρήση του μηχανήματός σας

- ♦ Όταν βάζετε την πρίζα, βεβαιωθείτε ότι ο διακόπτης του μηχανήματος είναι κλειστός.
- ♦ Να είστε πάντα προσεκτικοί. Παρακολουθείτε την εργασία σας. Ενεργείτε λογικά.
- ♦ Μην χρησιμοποιείτε τη μηχανή όταν είστε κουρασμένος.
- ♦ Εάν η μηχανή ξεκινήσει να κραδάζεται αφύσικα, σβήστε την και αφαιρέστε το φως από την πρίζα. Περιμένετε να σταματήσει η περιστροφή των κινητών μερών και επιθεωρήστε τη μηχανή για τυχόν ζημιές ή χαλαρωμένα εξαρτήματα.
- ♦ Ποτέ μην αποσυνδέετε την μηχανή από την πρίζα τραβώντας το καλώδιό της. Φροντίστε το καλώδιο να παραμένει μακριά από τη θερμότητα, τα λάδια και από αιχμηρές ακμές.

- ♦ Βεβαιωθείτε ότι η μηχανή λειτουργεί κανονικά και χρησιμοποιείται για το σκοπό για τον οποίο προορίζεται.
- ♦ Φροντίστε να γίνει η επίσκεψη ή η αντικατάσταση των τυχόν ελαττωματικών εξαρτημάτων από εξουσιοδοτημένο κέντρο επισκευών.
- ♦ Πριν από τη χρήση, ελέγξτε προσεκτικά το καλώδιο τροφοδοσίας για σημάδια ζημιάς, παλαιώσης και φθοράς.
- ♦ Μη χρησιμοποιείτε την μηχανή αν το καλώδιο τροφοδοσίας της έχει πάθει ζημιά ή παρουσιάζει ελάττωμα.
- ♦ Εάν το καλώδιο τροφοδοσίας είναι κατεστραμμένο, πρέπει να αντικατασταθεί από εξουσιοδοτημένο κέντρο επισκευής, ώστε να μην προκύψει κίνδυνος.
- ♦ Ποτέ μην επιχειρείτε να αφαιρέσετε ή να αντικαταστήσετε εξαρτήματα άλλα από αυτά που προσδιορίζονται σε αυτό το εγχειρίδιο.
- ♦ Πριν χρησιμοποιήσετε την μηχανή, βεβαιωθείτε ότι η λεπίδα, το παξιμάδι της λεπίδας και το σύστημα κοπής δεν εμφανίζουν φθορές ή ζημιές. Βεβαιωθείτε ότι το παξιμάδι της λεπίδας είναι καλά σφιγμένο.
- ♦ Βεβαιωθείτε ότι ο σάκος περισυλλογής χόρτου δεν εμφανίζει φθορές ή ζημιές και αντικαταστήστε τον αν χρειάζεται. Ποτέ μη χρησιμοποιείτε την μηχανή χωρίς τον σάκο περισυλλογής χόρτου.
- ♦ Πριν χρησιμοποιήσετε την μηχανή, βεβαιωθείτε ότι στη διαδρομή κοπής σας δεν υπάρχουν κλαδιά, πέτρες, σύρματα ή οποιοδήποτε άλλο εμπόδιο.
- ♦ Χρησιμοποιείτε την μηχανή μόνο στη σωστή θέση, με τη λεπίδα κοντά στο έδαφος, όπως απεικονίζεται. Ποτέ μην ανάβετε την μηχανή αν βρίσκεται σε οποιαδήποτε άλλη θέση.
- ♦ Ανάψτε την μηχανή μόνο όταν τα χέρια και τα πόδια βρίσκονται μακριά από τη λεπίδα.
- ♦ Κρατάτε πάντα την μηχανή και με τα δύο χέρια για να την χειρίζεστε.
- ♦ Όταν κλείνετε την χειρολαβή προς τα κάτω για να ανάψετε την μηχανή, μην την κλείνετε περισσότερο από ότι χρειάζεται. Βεβαιωθείτε ότι έχετε και τα δύο χέρια σας στην χειρολαβή και ότι τα πόδια σας δεν είναι κοντά στην λεπίδα όταν βάζετε πάλι κάτω την μηχανή.
- ♦ Αποφύγετε τη σωματική επαφή με την λεπίδα όταν η μηχανή είναι σε λειτουργία. Κρατήστε τα χέρια και τα πόδια σας μακριά από την λεπίδα. Μην βάζετε τα χέρια ή τα πόδια σας κοντά ή κάτω από τα περιστρεφόμενα κινητά μέρη.
- ♦ Μην τρέχετε, πάντα να περπατάτε όταν χρησιμοποιείτε την μηχανή. Μην τραβάτε τη μηχανή προς το μέρος σας και μην περπατάτε προς τα πίσω όταν την χρησιμοποιείτε.
- ♦ Μην εργάζεστε σε έδαφος με απότομες κλίσεις. Βεβαιωθείτε ότι πατάτε καλά και σταθερά. Να έχετε υπόψη σας ότι το φρεσκοκομμένο χόρτο είναι υγρό και γλιστερό.
- ♦ Προσέχετε όταν κόβετε κοντά σε όρια και σε μονοπάτια ή δρόμους με χαλίκι, αφού η λεπίδα κοπής μπορεί να παρασύρει πέτρες και χώμα.

Συμπληρωματικές οδηγίες ασφαλείας για χλοοκοπτικές μηχανές

Πάνω στην μηχανή υπάρχουν τα ακόλουθα προειδοποιητικά σύμβολα:



Κατά τη χρήση αυτού του εργαλείου, να φοράτε προστατευτικά γυαλιά.



Η λεπίδα θα συνεχίσει να κινείται για μερικά δευτερόλεπτα μετά από το σβήσιμο της μηχανής. Ποτέ μην επιχειρήσετε να ακινητοποιήσετε τις λεπίδες δια της βίας.



Φροντίστε τα άλλα άτομα καθώς και ζώα να βρίσκονται σε απόσταση τουλάχιστον 6 m από την περιοχή κοπής.



Μην αφήνετε την μηχανή στη βροχή ή σε έντονη υγρασία.



Σβήστε την μηχανή, αφαιρέστε το φως από την πρίζα και βεβαιωθείτε ότι σταμάτησε η περιστροφή των κινητών μερών πριν αφήσετε την μηχανή χωρίς χειριστή και πριν αλλάξετε, καθαρίσετε ή επιθεωρήσετε οποιαδήποτε τμήματα της μηχανής.

- ◆ Μην σηκώνετε την μηχανή εάν δεν έχει ακινητοποιηθεί τελείως η λεπίδα.
- ◆ Φροντίστε να διατηρείτε το καλώδιο τροφοδοσίας μακριά από την λεπίδα. Προσέχετε πάντα τη θέση του καλωδίου.
- ◆ Εάν η μηχανή ξεκινάει να κραδάζεται αφύσικα ή αν χτυπήσετε κάποιο ξένο σώμα, σβήστε την και αφαιρέστε το φιν από την πρίζα. Ελέγξτε το μηχάνημα για τυχόν ζημιές.
- ◆ Χρησιμοποιείτε μόνο ανταλλακτικά και εξαρτήματα που συνιστά η Black & Decker.

ΗΛΕΚΤΡΙΚΗ ΑΣΦΑΛΕΙΑ

Το εργαλείο είναι σχεδιασμένο να λειτουργεί σε μία και μόνο τάση. Ελέγχετε πάντοτε αν η τάση τροφοδοσίας αντιστοιχεί σε αυτήν που αναγράφεται στην πινακίδα στοιχείων του εργαλείου.



Αυτό το εργαλείο έχει σχεδιαστεί για χρήση μόνο με ηλεκτρική τροφοδοσία με εναλλασσόμενο ρεύμα (ρεύμα του δικτύου). Μην επιχειρείτε να το χρησιμοποιήσετε με διαφορετική ηλεκτρική τροφοδοσία.



Το εργαλείο σας φέρει διπλή μόνωση κατά EN 60335. Κατά συνέπεια δε χρειάζεται καλώδιο γείωσης.

- ◆ Αποφύγετε τη σωματική επαφή με γειωμένες ή συνδεδεμένες με το έδαφος επιφάνειες (π.χ. μεταλλικά κιγκλιδώματα, λάμπες κ.λπ.).
- ◆ Η ηλεκτρική ασφάλεια μπορεί να βελτιωθεί αν χρησιμοποιηθεί συσκευή παραμένοντος ρεύματος (RCD) υψηλής ευαισθησίας (30 mA / 30 mS).

Χρήση καλωδίου επέκτασης

Χρησιμοποιείτε πάντα εγκεκριμένο καλώδιο επέκτασης για την ηλεκτρική τροφοδοσία αυτού του εργαλείου (δείτε την πινακίδα στοιχείων του εργαλείου). Το καλώδιο επέκτασης πρέπει να είναι κατάλληλο για χρήση σε εξωτερικό χώρο.

- ◆ Πριν από τη χρήση, επιθεωρήστε προσεκτικά το καλώδιο για σημάδια ζημιάς, φθοράς και παλαιώσης. Αντικαταστήστε το καλώδιο επέκτασης αν είναι κατεστραμμένο ή ελαττωματικό.

- ◆ Όταν χρησιμοποιείτε καρούλι καλωδίου, πάντα ξετυλίγετε τελείως το καλώδιο.
- ◆ Φροντίστε να διατηρείτε το καλώδιο τροφοδοσίας μακριά από το νήμα κοπής. Προσέχετε πάντα τη θέση του καλωδίου.

ΓΕΝΙΚΗ ΠΕΡΙΓΡΑΦΗ (εικ. Α)

1. Διακόπτης on/off
2. Διακόπτης απασφάλισης
3. Κιβώτιο διακόπτη
4. Πάνω χειρολαβή
5. Κάτω χειρολαβή
6. Σακούλα χόρτου
7. Περιβλήμα μοτέρ
8. Τροχοί

ΣΥΝΑΡΜΟΛΟΓΗΣΗ



Πριν από τη συναρμολόγηση, βεβαιωθείτε ότι το εργαλείο είναι σβηστό και ότι το φιν του δεν είναι στην πρίζα.

Συναρμολόγηση της χειρολαβής (εικ. Β)

- ◆ Τοποθετήστε τα δύο τμήματα της κάτω χειρολαβής (9) στην πάνω χειρολαβή (4) χρησιμοποιώντας τις βίδες (10) και τα παξιμάδια (11) όπως απεικονίζεται.

Τοποθέτηση της χειρολαβής (εικ. C)

- ◆ Εισάγετε τις άκρες της κάτω χειρολαβής (5) στις αντίστοιχες οπές (12) της χλοοκοπτικής μηχανής.
- ◆ Πιέστε την χειρολαβή προς τα κάτω στο μέγιστο δυνατό βαθμό.
- ◆ Ασφαλίστε την χειρολαβή με τις βίδες (13).

Συναρμολόγηση και τοποθέτηση του σάκου περισυλλογής χόρτου (εικ. D1 – D4)

GR270/GR280/GR290

- ◆ Εισάγετε το πλαίσιο (14) στον σάκο περισυλλογής χόρτου όπως απεικονίζεται (εικ. D1).
- ◆ Στερεώστε το πλαίσιο στα χείλη σύσφιξης (16) χρησιμοποιώντας την λαβή ενός κουταλιού ή παρόμοιο καμπυλωτό εργαλείο (εικ. D2).

Για να διευκολυνθείτε στην συναρμολόγηση, εργαστείτε με την σειρά που απεικονίζεται στην εικ. D3.

- ◆ Σηκώστε το κάλυμμα(17) και τοποθετήστε το μεταλλικό πλαίσιο του σάκου περισυλλογής χόρτου στην εγκοπή (18) (εικ. D4).

GR233

- ◆ Ευθυγραμμίστε τα δύο μισά του σάκου περισυλλογής χόρτου.
- ◆ Πιέστε τα δύο μισά.
- ◆ Στερεώστε τον συναρμολογημένο σάκο περισυλλογής χόρτου πάνω στην μηχανή και αφήστε τον να κουμπωθεί στην θέση του.

ΧΡΗΣΗ



Αφήστε το εργαλείο να λειτουργήσει στο δικό του ρυθμό και μην το υπερφορτώνετε.

Ρύθμιση του ύψους κοπής (εικ. E)



Αποσυνδέστε την μηχανή από το ηλεκτρικό δίκτυο και περιμένετε μέχρι να σταματήσει η λεπίδα να περιστρέφεται προτού συνεχίσετε.

Το ύψος κοπής ρυθμίζεται αλλάζοντας το ύψος των τροχών.

- ◆ Απελευθερώστε τους τροχούς (8) περιστρέφοντάς τους έως ότου απασφαλιστούν.
- ◆ Ρυθμίστε τους τροχούς στο επιθυμητό ύψος.
- ◆ Περιστρέψτε πάλι τους τροχούς μέχρι να ασφαλισουν και βεβαιωθείτε ότι όλοι οι τροχοί βρίσκονται στο ίδιο ύψος.

Θέση εντός και εκτός λειτουργίας (εικ. F)

Εκκίνηση

- ◆ Κρατήστε την χειρολαβή και με τα δύο χέρια και κλεινέτε την ελαφρά προς τα κάτω για να ανυψωθεί το εμπρός μέρος της μηχανής.
- ◆ Κρατήστε το κουμπί απασφάλισης (2) πατημένο και τραβήξτε τον διακόπτη on/off (1) προς το μέρος σας.
- ◆ Απελευθερώστε το κουμπί απασφάλισης.
- ◆ Αφήστε την μηχανή να επανέλθει στην θέση λειτουργίας της.

Θέση της μηχανής εκτός λειτουργίας.

- ◆ Για να σβήσετε τη μηχανή, αφήστε το διακόπτη on/off.



Ποτέ μην επιχειρήσετε να ασφαλίσετε ένα διακόπτη όταν βρίσκεται σε θέση λειτουργίας (on).

Κοπή χόρτου (εικ. G & H)

Συνιστάται να χρησιμοποιείτε την χλοοκοπτική μηχανή όπως παρουσιάζεται σε αυτήν την ενότητα προκειμένου να έχετε τα καλύτερα δυνατά αποτελέσματα και να μειώσετε τον κίνδυνο κοπής του καλωδίου τροφοδοσίας.

- ◆ Τοποθετήστε το μεγαλύτερο μέρος του καλωδίου τροφοδοσίας πάνω στο γκαζόν, κοντά στο σημείο εκκίνησης (θέση 1 στην εικ. G).
- ◆ Θέστε σε λειτουργία την μηχανή όπως περιγράφεται παραπάνω.
- ◆ Συνεχίστε όπως απεικονίζεται στην εικ. G.
 - ◆ Κινηθείτε από την θέση 1 στην θέση 2.
 - ◆ Στρίψτε δεξιά και συνεχίστε προς την θέση 3.
 - ◆ Στρίψτε αριστερά και προχωρήστε προς την θέση 4.
- ◆ Επαναλάβετε την παραπάνω διαδικασία όπως απαιτείται.



Μην προχωράτε προς το καλώδιο όπως απεικονίζεται στην εικ. H.

Αδειασμα του σάκου περισυλλογής χόρτου

- ◆ Όταν βλέπετε υπολείμματα χόρτου να σκορπιούνται κάτω από την μηχανή, αδειάστε τον σάκο περισυλλογής χόρτου.



Ποτέ μη χρησιμοποιείτε την μηχανή χωρίς τον σάκο περισυλλογής χόρτου.

Συμβουλές για άριστη χρήση

- ◆ Αν το χόρτο είναι πιο ψηλό από 10 εκ. περίπου, περάστε δύο φορές για να έχετε καλύτερο αποτέλεσμα. Πρώτα κόψτε στο μέγιστο ύψος κοπής και έπειτα χρησιμοποιήστε το χαμηλό ή μεσαίο ύψος κοπής.
- ◆ Για να πετύχετε το καλύτερο δυνατό αποτέλεσμα, κόβετε το χόρτο μόνο όταν είναι στεγνό.

ΣΥΝΤΗΡΗΣΗ

Αυτό το εργαλείο της Black & Decker έχει σχεδιαστεί έτσι ώστε να λειτουργεί για μεγάλο χρονικό διάστημα με την ελάχιστη δυνατή φροντίδα. Η αδιάλειπτη και κανονική λειτουργία του εξαρτάται από τη φροντίδα του εργαλείου και τον τακτικό καθαρισμό του.



Πριν από την εκτέλεση εργασιών συντήρησης στο εργαλείο, θα πρέπει να το σβήσετε και να το βγάλετε από την πρίζα.

- ♦ Χρησιμοποιείτε τακτικά μια ξύστρα, όχι κοφτερή, για να αφαιρέσετε το χόρτο και τις ακαθαρσίες από την μηχανή.



Μη χρησιμοποιείτε στιλβωτικά ή υγρά καθαρισμού που περιέχουν διαλυτικές ουσίες.

Συντήρηση λεπίδας

- ♦ Να αφαιρείτε τακτικά από την λεπίδα τα υπολείμματα ακαθαρσιών και χόρτου.
- ♦ Στην αρχή της εποχής ενασχόλησης με τον κήπο, ελέγξτε προσεκτικά την κατάσταση της λεπίδας.
- ♦ Ακονίστε ή αντικαταστήστε την λεπίδα εάν έχει στομώσει.
- ♦ Αν η λεπίδα εμφανίζει ζημιές ή φθορά, τοποθετήστε μια νέα λεπίδα όπως περιγράφεται παρακάτω.

Αντικατάσταση της λεπίδας (εικ. 1)

Το δικό σας εξουσιοδοτημένο κατάστημα Black & Decker διαθέτει ανταλλακτικές λεπίδες (κωδ. A6182).



- ♦ Αποσυνδέστε την μηχανή από το ηλεκτρικό δίκτυο και περιμένετε μέχρι να σταματήσει η λεπίδα να περιστρέφεται προτού συνεχίσετε.
- ♦ Προσέξτε να μην κοπείτε. Χρησιμοποιήστε γάντια για βαριές εργασίες ή ένα πανί για να πιάσετε την λεπίδα.
- ♦ Χρησιμοποιήστε μόνο την συγκεκριμένη ανταλλακτική λεπίδα.

- ♦ Το στροφείο (21) δεν πρέπει να αφαιρείται για κανέναν λόγο.

- ♦ Τοποθετήστε την μηχανή στο πλάι.
- ♦ Πιάστε την λεπίδα (19) με το ένα χέρι.
- ♦ Χρησιμοποιήστε το παρεχόμενο κλειδί για να ξεβιδώσετε και να αφαιρέσετε το παξιμάδι της λεπίδας (20)
- ♦ Αντικαταστήστε την λεπίδα.
- ♦ Τοποθετήστε πάλι την ροδέλα (αν ήταν τοποθετημένη πριν) και το παξιμάδι.
- ♦ Σφίξτε καλά το παξιμάδι της λεπίδας.

ΕΝΤΟΠΙΣΜΟΣ ΚΑΙ ΑΠΟΚΑΤΑΣΤΑΣΗ ΠΡΟΒΛΗΜΑΤΩΝ

Αν το εργαλείο δείχνει να μη λειτουργεί κανονικά, ενεργήστε σύμφωνα με τις οδηγίες που ακολουθούν. Αν, παρ' όλα αυτά, το πρόβλημά σας δεν λυθεί, παρακαλούμε επικοινωνήστε με το εξουσιοδοτημένο σέρβις της Black & Decker της περιοχής σας.



Πριν συνεχίσετε, βγάλτε το εργαλείο από την πρίζα.

Η μηχανή κάνει θόρυβο αλλά η λεπίδα δεν κινείται.



Θέστε την μηχανή εκτός λειτουργίας και βγάλτε το φιλ από την πρίζα.

- ♦ Αφαιρέστε με προσοχή τυχόν εμπόδια από την λεπίδα.

Η μηχανή δεν κάνει θόρυβο και η λεπίδα δεν κινείται.

- ♦ Βεβαιωθείτε ότι έχουν συνδεθεί κανονικά τα καλώδια τροφοδοσίας.
- ♦ Ελέγξτε τις ηλεκτρικές ασφάλειες.

ΠΡΟΣΤΑΣΙΑ ΤΟΥ ΠΕΡΙΒΑΛΛΟΝΤΟΣ



Η Black & Decker δίνει τη δυνατότητα ανακύκλωσης των προϊόντων της που έχουν συμπληρώσει τη διάρκεια ζωής τους. Η υπηρεσία αυτή είναι δωρεάν. Αν θέλετε να χρησιμοποιήσετε την εν λόγω υπηρεσία, επιστρέψτε το προϊόν σας σε οποιοδήποτε εξουσιοδοτημένο κέντρο επισκευών, όπου θα το παραλάβουν εκ μέρους σας.

Ενημερωθείτε για το πλησιέστερο κέντρο επισκευών της περιοχής σας, επικοινωνώντας με τα γραφεία της Black & Decker στη διεύθυνση που αναγράφεται στο εγχειρίδιο. Επίσης, για να πληροφορηθείτε για τα εξουσιοδοτημένα κέντρα επισκευών της Black & Decker, τις λεπτομέρειες και τους αρμόδιους των υπηρεσιών που παρέχονται μετά την πώληση, μπορείτε να ανατρέξετε στο Διαδίκτυο στη διεύθυνση: www.2helpU.com.

ΕΓΓΥΗΣΗ

Η Black & Decker είναι σίγουρη για την ποιότητα των προϊόντων της και παρέχει σημαντική εγγύηση. Η παρούσα γραπτή εγγύηση αποτελεί πρόσθετο δικαίωμά σας και δεν ζημιώνει τα συνταγματικά σας δικαιώματα. Η εγγύηση ισχύει εντός της επικράτειας των Κρατών Μελών της Ευρωπαϊκής Ένωσης και της Ευρωπαϊκής Ζώνης Ελευθέρων Συναλλαγών.

Σε περίπτωση που κάποιο προϊόν της Black & Decker παρουσιάσει βλάβη εξαιτίας ελαττωματικών υλικών, ποιότητας εργασίας ή έλλειψης συμφωνίας με τις προδιαγραφές εντός 24 μηνών από την ημερομηνία αγοράς, η Black & Decker εγγυάται την αντικατάσταση των ελαττωματικών τμημάτων, την επισκευή προϊόντων που έχουν υποστεί εύλογη φθορά λόγω χρήσης ή την αντικατάσταση των προϊόντων προκειμένου να εξασφαλίσει την ελάχιστη ενόχληση στους πελάτες της, εκτός αν:

- ♦ Το προϊόν έχει χρησιμοποιηθεί σε εργασιακό, επαγγελματικό περιβάλλον ή αν έχει ενοικιαστεί

- ♦ Έχει γίνει εσφαλμένη χρήση του προϊόντος ή αν έχει παραμεληθεί
- ♦ Το προϊόν έχει υποστεί βλάβη από άλλα αντικείμενα, από ουσίες ή λόγω ατυχήματος
- ♦ Έχει γίνει προσπάθεια επισκευής από μη εξουσιοδοτημένα κέντρα επισκευών ή από προσωπικό που δεν ανήκει στο προσωπικό της Black & Decker

Για να ισχύσει η εγγύηση, πρέπει να υποβάλετε απόδειξη αγοράς στον πωλητή ή το εξουσιοδοτημένο κέντρο επισκευών.

Ενημερωθείτε για το πλησιέστερο κέντρο επισκευών της περιοχής σας, επικοινωνώντας με τα γραφεία της Black & Decker στη διεύθυνση που αναγράφεται στο εγχειρίδιο. Επίσης, για να πληροφορηθείτε για τα εξουσιοδοτημένα κέντρα επισκευών της Black & Decker, τις λεπτομέρειες και τους αρμόδιους των υπηρεσιών που παρέχονται μετά την πώληση, μπορείτε να ανατρέξετε στο Διαδίκτυο στη διεύθυνση: www.2helpU.com.

ΆΛΛΑ ΕΡΓΑΛΕΙΑ ΚΗΠΟΥ

Η Black & Decker διαθέτει μία πλήρη σειρά εργαλείων κήπου, τα οποία διευκολύνουν την εργασία σας στον κήπο. Για περισσότερες πληροφορίες σχετικά με τα προϊόντα που αναφέρονται παρακάτω, επικοινωνήστε με το Κέντρο Εξυπηρέτησης και Πληροφόρησης (στη διεύθυνση που αναφέρεται προς το τέλος αυτών των οδηγιών χρήσης) ή με το πλησιέστερο εξουσιοδοτημένο κατάστημα της Black & Decker.

Μηχανές φινιρίσματος χόρτου
Αλυσοπρίονα
Φορτιζόμενα ψαλίδια
Χλοσκοπτικές μηχανές
Απορροφητήρας/Φυσητήρας φύλλων
Σπαστήρας φύλλων/κλαδιών

Δεν είναι όλα τα προϊόντα διαθέσιμα σε όλες τις χώρες.

Australia	DeWALT Industrial Power Tool Company 7 Clarice Road, Box Hill, Victoria 3128	Tel. 03 9895 9200 Fax 03 9899 7465
Belgique/België	Black & Decker (Belgium) N.V. Weihoek 1, 1930 Zaventem	Tel. 02/719.07.11 Fax 02/719.08.10
Danmark	Black & Decker Hejrevang 26B, 3450 Allerød Internet: www.blackdecker.dk	Tel. 70 20 15 10 Fax 48 14 13 99
Deutschland	Black & Decker GmbH Black & Decker Str. 40, D - 65510 Idstein	Tel. 06126/21 24 83 Fax 06126/21 26 01
Ελλάς	Black & Decker (Ελλάς) A.E. Στράβωνος 7 & Βουλιαγμένης 159 Γλυφάδα 16674, Ελλάδα	Τηλ. (01) 8981-616 Φαξ (01) 8983-570 Service (01) 8982-630
España	Black & Decker Spain Parque de Negocios "Mas Blau" Edificio Muntadas, c/Bergadá, 1, Of. A6 08820 El Prat de Llobregat (Barcelona)	Tel. 934 797 400 Fax 934 797 419
France	Black & Decker (France) S.A.S. B.P. 21, 69571 Dardilly Cédex	Tel. 04 72 20 39 20 Fax 04 72 20 39 00
Helvetia	ROFO AG Gewerbezone Seeblick 3213 Kleinbörsingen	Tel. 026-6749391 Fax 026-6749394
Italia	Black & Decker Italia SpA Viale Elvezia 2 20052 Monza (MI)	Tel. 039-23871 Fax 039-2387592/2387594 Numero verde 800-213935
Nederland	Black & Decker (Nederland) BV Florijnstraat 10, 4879 AH Etten-Leur	Tel. 076-5082000 Fax 076-5038184
New Zealand	Black & Decker 81 Hugo Johnson Drive Penrose, Auckland, New Zealand	Tel. 09 579 7600 Fax 09 579 8200
Norge	Black & Decker (Norge) A/S Postboks 248, Leirdal, 1011 Oslo Internet: www.blackdecker.no	Tlf. 22 90 99 00 Fax 22 90 99 01
Österreich	Black & Decker Vertriebsges.m.b.H Erlaerstraße 165, 1231 Wien	Tel. 01 66116-0 Fax 01 66116-14
Portugal	Black & Decker Rua Egas Moniz 173, 2766-651 S. João do Estoril	Tel. 214667500 Fax 214667575
South Africa	Black & Decker South Africa (Pty) Ltd Physical address: 39 Commerce Crescent Eastgate, ext. 12, Sandton, Kramerville 2148 Postal address: Postnet Suite 107, Private Bag X65 Halfway House 1685	Tel. (011) 653-1400 Fax (011) 653-1499
Suomi	Black & Decker Oy Palotie 3, 01610 Vantaa Black & Decker Oy, Brandvägen 3, 01610 Vanda	Puh: (09) 825 4540 Fax: (09) 825 45 444 Tel: (09) 825 4540 Fax: (09) 825 45 444
Sverige	Black & Decker AB Box 603, 421 26 Västra Frölunda, Besöksadr. Ekonomivägen 11	Tel: 031-68 60 00 Fax: 031-68 60 08
Türkiye	Black & Decker Merkez Servis Dudullu Cad. Kerembey Sok. No. 1 Küçükbakkalköy/Istanbul	Tel. 0216 455 89 73 Faks 0216 455 20 52
United Kingdom	Black & Decker 210 Bath Road Slough, Berkshire SL1 3YD	Tel. 01753 511234 Fax 01753 551155 Helpline 01753 574277

Dealer address
Händleradresse
Cachet du revendeur
Indirizzo del rivenditore
Adres van de dealer
Dirección del detallista
Morada do revendedor
Återförsäljarens adress
Forhandlerens adresse
Forhandler adresse
Jälleenmyyjän osoite
Διεύθυνση αντιπροσώπου

Date of purchase
Kaufdatum
Date d'achat
Data d'acquisto
Aankoopdatum
Fecha de compra
Data de compra
Inköpsdatum
Innkjøpsdato
Indkøbsdato
Ostopäivä
Ημερομηνία αγοράς

◆ Name ◆ Name ◆ Nom ◆ Nome
◆ Naam ◆ Nombre ◆ Nome ◆ Namm
◆ Navn ◆ Navn ◆ Nimi ◆ Ovocna:

◆ Address ◆ Adresse ◆ Adresse ◆
Indirizzo ◆ Adres ◆ Dirección ◆ Morada
◆ Address ◆ Adresse ◆ Adresse ◆ Osoite
◆ Διεύθυνση:

◆ Town ◆ Ort ◆ Ville ◆ Città ◆ Plaats
◆ Ciudad ◆ Localidade ◆ Ort ◆ By ◆ By
◆ Paikkakunta ◆ Πόλη:

◆ Postal code ◆ Postleitzahl ◆ Code
postal ◆ Codice postale ◆ Postcode
◆ Código ◆ Código postal ◆ Postnr.
◆ Postnr. ◆ Postnr. ◆ Postnummero
◆ Κωδικός

◆ Is this tool a gift? ◆ Ist dieses Gerät
ein Geschenk? ◆ S'agit-il d'un cadeau?
◆ Si tratta di un regalo? ◆ Kreeg u de
machine als cadeau? ◆ ¿Ha recibido
usted esta herramienta como regalo?
◆ Recebeu esta ferramenta como
presente? ◆ Är verktyget en gåva?
◆ Er verktyget en gave? ◆ Er verkjøpet
en gave? ◆ Onko kone lahja?
◆ Το εργαλείο είναι δώρο?

◆ Yes ◆ Ja ◆ Oui ◆ Si ◆ Ja ◆ Si
◆ Sim ◆ Ja ◆ Ja ◆ Ja ◆ Kyllä ◆ Nat

◆ No ◆ Nein ◆ Non ◆ No ◆ Nee
◆ No ◆ Não ◆ Nej ◆ Nei ◆ Nej
◆ Ei ◆ Oxi

◆ Is this tool your first purchase? ◆ Ist
dieses Gerät ein Erstkauf? ◆ Est-ce un
1er achat? ◆ Questo prodotto è il suo
primo acquisto? ◆ Is deze machine uw
eerste aankoop? ◆ ¿Es esta
herramienta la primera de este tipo?
◆ Esta ferramenta é a sua primeira
compra? ◆ Är detta ditt första B&D-
verktyg? ◆ Er dette ditt første B&D-
verktyg? ◆ Er dette dit første B&D

verktyg? ◆ Onko tämä ensimmäinen
B&D-koneesi? ◆ Είναι το εργαλείο
αυτό η πρώτη σας αγορά?

◆ Yes ◆ Ja ◆ Oui ◆ Si ◆ Ja ◆ Si
◆ Sim ◆ Ja ◆ Ja ◆ Ja ◆ Kyllä ◆ Nat

◆ No ◆ Nein ◆ Non ◆ No ◆ Nee
◆ No ◆ Não ◆ Nej ◆ Nei ◆ Nej
◆ Ei ◆ Oxi

◆ Dealer address ◆ Händleradresse
◆ Cachet du revendeur ◆ Indirizzo del
rivenditore ◆ Adres van de dealer
◆ Dirección del detallista ◆ Morada do
revendedor ◆ Återförsäljarens adress
◆ Forhandlerens adresse ◆ Forhandler
adresse ◆ Jälleenmyyjän osoite
◆ Διεύθυνση αντιπροσώπου

Cat. no.:



- ◆ GUARANTEE CARD
- ◆ GARANTIEKART
- ◆ GARANTI KORT
- ◆ GARANTIEKARTE
- ◆ TARJETA DE GARANTÍA
- ◆ GARANTI KORT
- ◆ CARTE DE GARANTIE
- ◆ CARTÃO DE GARANTIA
- ◆ TAKUKUKORTTI
- ◆ TAGLIANDO DI GARANZIA
- ◆ GARANTIBEVIS
- ◆ KAPTA EITΓHZHΣHΣ



English

Please complete this section immediately after the purchase of your tool and send it to Black & Decker in your country. If you live in Australia or New Zealand, please register by using the alternative guarantee card supplied.

Deutsch

Bitte schneiden Sie diesen Abschnitt ab, stecken ihn in einen frankierten Umschlag und schicken ihn an die Black & Decker Adresse Ihres Landes.

Français

Découpez cette partie et envoyez-la sous enveloppe timbrée à l'adresse de Black & Decker dans votre pays, ceci immédiatement après votre achat.

Italiano

Per favore ritagliate questa parte, inseritela in una busta con francobollo e spedite-la subito dopo l'acquisto del prodotto all'indirizzo della Black & Decker nella vostra nazione.

Nederlands

Knip dit gedeelte uit en zend het direct na aankoop in een getrankeerde, geaddresseerde envelop naar het adres van Black & Decker in uw land.

Español

Después de haber comprado su herramienta envíe usted, por favor, esta tarjeta a la central de Black & Decker en su país.

Português

Por favor, recorte esta parte, coloque-a num envelope selado e endereçado e envie-o logo após a compra do seu produto para o endereço da Black & Decker do seu país.

Svenska

Var vänlig klipp ur denna del och sänd den i ett frankerat kuvert till Black & Deckers adress i Ditt land.

Norsk

Vennligst klipp ut denne delen umiddelbart etter du har pakket ut ditt produkt og legg det i en adressert konvolutt til Black & Decker (Norge) A/S.

Dansk

Venligst klip denne del ud og send frankeret til Black & Decker i dit land.

Suomi

Leikkaa irti tämä osa, laita se kuoreen ja postita kuori paikalliseen Black & Decker osoitteeseen.

Ελληνικά

Ταποκτάω κόμμετε αуро το κομμάτι και ταχυδπομνηστε το κέροως μετά την αγορά του προϊόντος σας στην διεύθυνση της Black & Decker στην Ελλάδα.