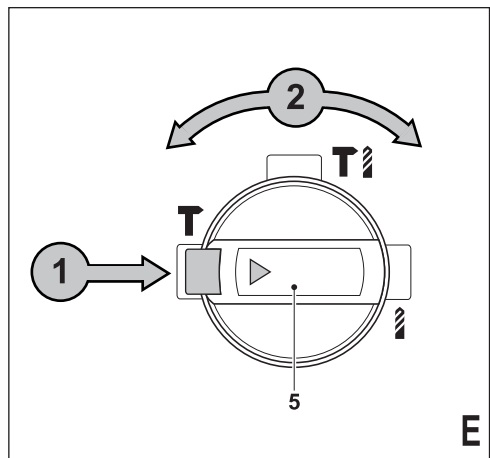
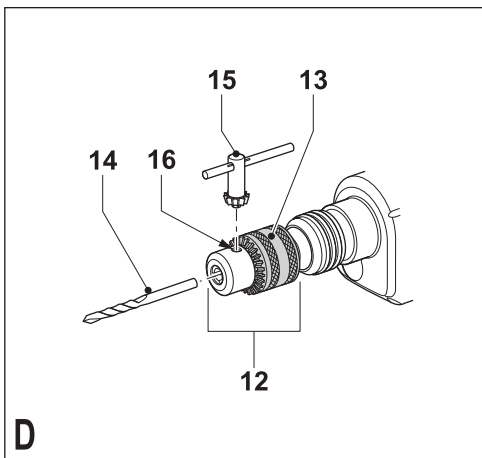
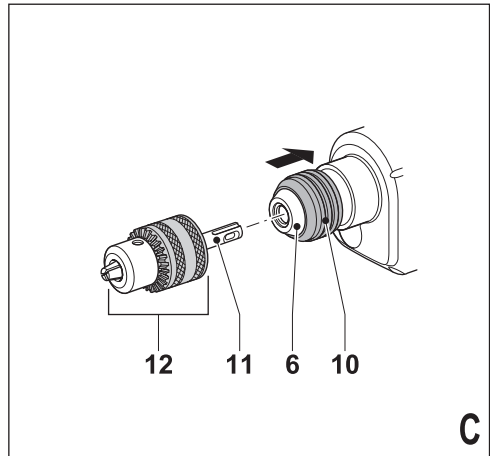
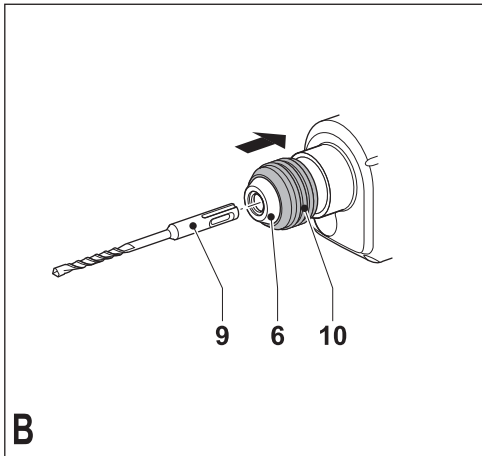
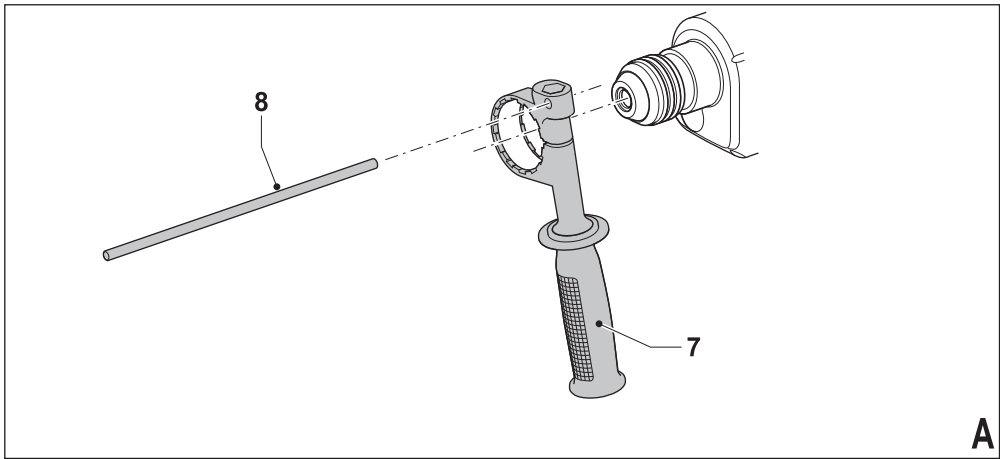
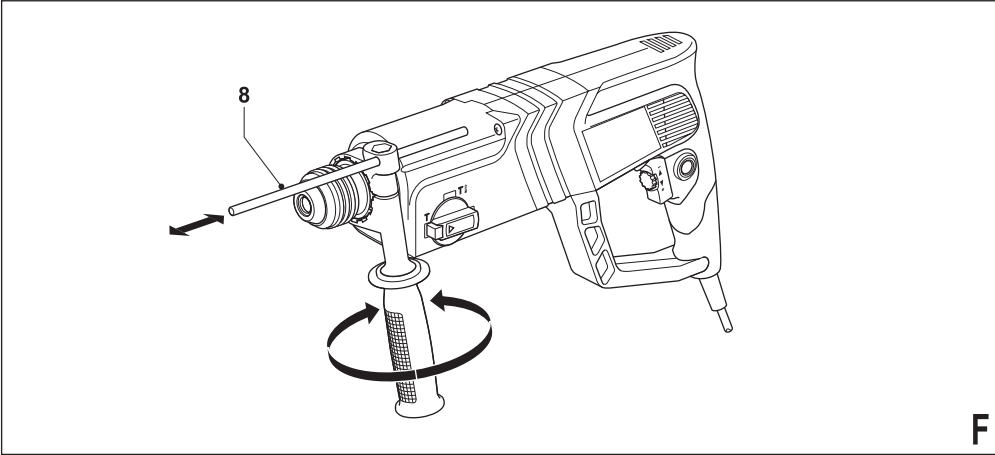


www.blackanddecker.eu

KD975
KD985
KD990

English	(Original instructions)	5
Deutsch	(Übersetzung der Originalanleitung)	11
Français	(Traduction des instructions d'origine)	18
Česky	(Přeloženo z původního návodu)	24
Magyar	(Fordítás az eredeti kezelési utasítás alapján készült)	30
Polski	(Tłumaczenie oryginalnej instrukcji)	36
Slovenčina	(Preložené z pôvodného návodu)	43
Русский язык	(Перевод с оригинала инструкции)	49
Українська	(Переклад оригінальних інструкцій)	57
Türkçe	(Çevirisi orijinal talimatlardan yapılmıştır)	64





Intended use

Your Black & Decker rotary hammer drill has been designed for drilling in wood, metal, plastics, and masonry as well as for screwdriving and light chiselling applications. This tool is intended for consumer use only.

Safety instructions

General power tool safety warnings



Warning! Read all safety warnings and all instructions. Failure to follow the warnings and instructions listed below may result in electric shock, fire and/or serious injury.

Save all warnings and instructions for future reference.

The term „power tool“ in all of the warnings listed below refers to your mains operated (corded) power tool or battery operated (cordless) power tool.

1. Work area safety

- a. **Keep work area clean and well lit.** Cluttered or dark areas invite accidents.
- b. **Do not operate power tools in explosive atmospheres, such as in the presence of flammable liquids, gases or dust.** Power tools create sparks which may ignite the dust or fumes.
- c. **Keep children and bystanders away while operating a power tool.** Distractions can cause you to lose control.

2. Electrical safety

- a. **Power tool plugs must match the outlet. Never modify the plug in any way. Do not use any adapter plugs with earthed (grounded) power tools.** Unmodified plugs and matching outlets will reduce risk of electric shock.
- b. **Avoid body contact with earthed or grounded surfaces such as pipes, radiators, ranges and refrigerators.** There is an increased risk of electric shock if your body is earthed or grounded.
- c. **Do not expose power tools to rain or wet conditions.** Water entering a power tool will increase the risk of electric shock.
- d. **Do not abuse the cord. Never use the cord for carrying, pulling or unplugging the power tool. Keep cord away from heat, oil, sharp edges or moving parts.** Damaged or entangled cords increase the risk of electric shock.

- e. **When operating a power tool outdoors, use an extension cord suitable for outdoor use.** Use of a cord suitable for outdoor use reduces the risk of electric shock.

- f. **If operating a power tool in a damp location is unavoidable, use a residual current device (RCD) protected supply.** Use of an RCD reduces the risk of electric shock.

3. Personal safety

- a. **Stay alert, watch what you are doing and use common sense when operating a power tool. Do not use a power tool while you are tired or under the influence of drugs, alcohol or medication.** A moment of inattention while operating power tools may result in serious personal injury.
- b. **Use personal protective equipment. Always wear eye protection.** Protective equipment such as dust mask, non-skid safety shoes, hard hat, or hearing protection used for appropriate conditions will reduce personal injuries.
- c. **Prevent unintentional starting. Ensure the switch is in the off-position before connecting to power source and/or battery pack, picking up or carrying the tool.** Carrying power tools with your finger on the switch or energising power tools that have the switch on invites accidents.
- d. **Remove any adjusting key or wrench before turning the power tool on.** A wrench or a key left attached to a rotating part of the power tool may result in personal injury.
- e. **Do not overreach. Keep proper footing and balance at all times.** This enables better control of the power tool in unexpected situations.
- f. **Dress properly. Do not wear loose clothing or jewellery. Keep your hair, clothing and gloves away from moving parts.** Loose clothes, jewellery or long hair can be caught in moving parts.
- g. **If devices are provided for the connection of dust extraction and collection facilities, ensure these are connected and properly used.** Use of dust collection can reduce dust-related hazards.

4. Power tool use and care

- a. **Do not force the power tool. Use the correct power tool for your application.** The correct power tool will do the job better and safer at the rate for which it was designed.

- b. **Do not use the power tool if the switch does not turn it on and off.** Any power tool that cannot be controlled with the switch is dangerous and must be repaired.
- c. **Disconnect the plug from the power source and/or the battery pack from the power tool before making any adjustments, changing accessories, or storing power tools.** Such preventive safety measures reduce the risk of starting the power tool accidentally.
- d. **Store idle power tools out of the reach of children and do not allow persons unfamiliar with the power tool or these instructions to operate the power tool.** Power tools are dangerous in the hands of untrained users.
- e. **Maintain power tools. Check for misalignment or binding of moving parts, breakage of parts and any other condition that may affect the power tools operation. If damaged, have the power tool repaired before use.** Many accidents are caused by poorly maintained power tools.
- f. **Keep cutting tools sharp and clean.** Properly maintained cutting tools with sharp cutting edges are less likely to bind and are easier to control.
- g. **Use the power tool, accessories and tool bits etc., in accordance with these instructions, taking into account the working conditions and the work to be performed.** Use of the power tool for operations different from those intended could result in a hazardous situation.
- 5. **Service**
 - a. **Have your power tool serviced by a qualified repair person using only identical replacement parts.** This will ensure that the safety of the power tool is maintained.

Additional power tool safety warnings



Warning! Additional safety warnings for rotary and chiselling hammers.

- ◆ **Wear ear protectors.** Exposure to noise can cause hearing loss.
- ◆ **Use auxiliary handles supplied with the tool.** Loss of control can cause personal injury.
- ◆ **Hold power tool by insulated gripping surfaces when performing an operation where the cutting accessory may contact hidden wiring or its own cord.** Cutting

accessory contacting a „live“ wire may make exposed metal parts of the power tool „live“ and shock the operator.

- ◆ Never use a chisel accessory in rotary mode. The accessory will bind in the material and rotate the drill.
- ◆ Use clamps or another practical way to secure and support the workpiece to a stable platform. Holding the work by hand or against your body leaves it unstable and may lead to loss of control.
- ◆ Before drilling into walls, floors or ceilings, check for the location of wiring and pipes.
- ◆ Avoid touching the tip of a drill bit just after drilling, as it may be hot.
- ◆ The intended use is described in this instruction manual. The use of any accessory or attachment or performance of any operation with this tool other than those recommended in this instruction manual may present a risk of personal injury and/or damage to property.

Safety of others

- ◆ This appliance is not intended for use by persons (including children) with reduced physical, sensory or mental capabilities, or lack of experience and knowledge, unless they have been given supervision or instruction concerning use of the appliance by a person responsible for their safety.
- ◆ Children should be supervised to ensure that they do not play with the appliance.

Vibration

The declared vibration emission values stated in the technical data and the declaration of conformity have been measured in accordance with a standard test method provided by EN 60745 and may be used for comparing one tool with another. The declared vibration emission value may also be used in a preliminary assessment of exposure.

Warning! The vibration emission value during actual use of the power tool can differ from the declared value depending on the ways in which the tool is used. The vibration level may increase above the level stated.

When assessing vibration exposure to determine safety measures required by 2002/44/EC to protect persons regularly using power tools in employment, an estimation of vibration exposure should consider, the actual conditions of use and the way the tool is used, including taking account of all parts of the operating cycle such as the times when the tool is

switched off and when it is running idle in addition to the trigger time.

Labels on tool

The following pictograms are shown on the tool:



Warning! To reduce the risk of injury, the user must read the instruction manual.

Electrical safety



This tool is double insulated; therefore no earth wire is required. Always check that the power supply corresponds to the voltage on the rating plate.

- ◆ If the supply cord is damaged, it must be replaced by the manufacturer or an authorised Black & Decker Service Centre in order to avoid a hazard.

Features

This tool includes some or all of the following features.

1. Variable speed switch
2. Lock-on button
3. Forward/reverse switch
4. Variable speed control knob
5. Drilling mode selector
6. Tool holder
7. Side handle
8. Depth stop

Assembly

Warning! Before assembly, make sure that the tool is switched off and unplugged.

Fitting the side handle and depth stop (fig. A)

- ◆ Turn the grip counterclockwise until you can slide the side handle (7) onto the front of the tool as shown.
- ◆ Rotate the side handle into the desired position.
- ◆ Insert the depth stop (8) into the mounting hole as shown.
- ◆ Set the depth stop to the desired position. The maximum drilling depth is equal to the distance between the tip of the drill bit and the front end of the depth stop.
- ◆ Tighten the side handle by turning the grip clockwise.

Fitting an accessory (fig. B)

- ◆ Clean and grease the shank (9) of the accessory.
- ◆ Pull back the sleeve (10) and insert the shank into the tool holder (6).

- ◆ Push the accessory down and turn it slightly until it fits into the slots.
- ◆ Pull on the accessory to check if it is properly locked. The hammering function requires the accessory to be able to move axially several centimetres when locked in the tool holder.
- ◆ To remove the accessory, pull back the sleeve (10) and pull out the accessory.

KD985/KD990 - Fitting the keyed chuck (fig. C)

- ◆ Fit the shank (11) of the supplied chuck (12) into the tool holder as described above.

Warning! Never use keyed chucks in the hammer drilling mode.

KD985/KD990 - Fitting accessories in the keyed chuck (fig. D)

- ◆ Open the chuck by turning the sleeve (13).
- ◆ Insert the bit shaft (14) into the chuck.
- ◆ Insert the chuck key (15) into each hole (16) in the side of the chuck and turn until tight.

Residual risks.

Additional residual risks may arise when using the tool which may not be included in the enclosed safety warnings. These risks can arise from misuse, prolonged use etc.

Even with the application of the relevant safety regulations and the implementation of safety devices, certain residual risks can not be avoided. These include:

- ◆ **Injuries caused by touching any rotating/moving parts.**
- ◆ **Injuries caused when changing any parts, blades or accessories.**
- ◆ **Injuries caused by prolonged use of a tool. When using any tool for prolonged periods ensure you take regular breaks.**
- ◆ **Impairment of hearing.**
- ◆ **Health hazards caused by breathing dust developed when using your tool (example:- working with wood, especially oak, beech and MDF.)**

Use

Warning! Let the tool work at its own pace. Do not overload.

Warning! Before drilling into walls, floors or ceilings, check for the location of wiring and pipes.

Selecting the operating mode (fig. E)

The tool can be used in three operating modes. Rotate the drilling mode selector (5) towards the required position, as indicated by the symbols.

Drilling

- ◆ For drilling in steel, wood and plastics, and for screwdriving set the operating mode selector (5) to the **1** position.
- ◆ When screwdriving, start at a low speed. When removing screws, the speed is automatically reduced.

Hammer drilling

- ◆ For hammer drilling in masonry and concrete, set the operating mode selector (5) to the **T** position
- ◆ When hammering, the tool should not bounce and run smoothly. If necessary, increase the speed.

Hammering

- ◆ For hammering with spindle lock, and for light chiselling and chipping, set the operating mode selector (5) to the **T** position.
- ◆ Make sure the forward/reverse switch is in the forward position.
- ◆ When changing from hammer drilling to chiselling, turn the chisel to the desired position. If resistance is felt during mode change, slightly turn the chisel to engage the spindle lock.

Selecting the direction of rotation

For drilling, for tightening screws and for chiselling, use forward (clockwise) rotation. For loosening screws or removing a jammed drill bit, use reverse (counterclockwise) rotation.

- ◆ To select forward rotation, push the forward/reverse slider (3) to the left.
- ◆ To select reverse rotation, push the forward/reverse slider to the right.

Warning! Never change the direction of rotation while the motor is running.

Setting the drilling depth (fig. F)

- ◆ Slacken the side handle (7) by turning the grip counterclockwise.
- ◆ Set the depth stop (8) to the desired position. The maximum drilling depth is equal to the distance between the tip of the drill bit and the front end of the depth stop.
- ◆ Tighten the side handle by turning the grip clockwise.

Switching on and off

- ◆ To switch the tool on, press the variable speed switch (1). The tool speed depends on how far you press the switch. Set the variable speed control knob (4) to the required speed range.

- ◆ Use speeds 1-6 for short periods only.
- ◆ As a general rule, use low speeds for large diameter drill bits and high speeds for smaller diameter drill bits.
- ◆ For continuous operation, press the lock-on button (2) and release the variable speed switch. This option is available only in forward (clockwise) rotation.
- ◆ To switch the tool off, release the variable speed switch. To switch the tool off when in continuous operation, press the variable speed switch once more and release it.

Accessories

The performance of your tool depends on the accessory used. Black & Decker and Piranha accessories are engineered to high quality standards and designed to enhance the performance of your tool. By using these accessories you will get the very best from your tool.

Maintenance

Your Black & Decker corded/cordless appliance/tool has been designed to operate over a long period of time with a minimum of maintenance. Continuous satisfactory operation depends upon proper tool care and regular cleaning.

Warning! Before performing any maintenance on corded/cordless power tools:

- ◆ Switch off and unplug the appliance/tool.
- ◆ Or switch off and remove the battery from the appliance/tool if the appliance/tool has a separate battery pack.
- ◆ Or run the battery down completely if it is integral and then switch off.
- ◆ Unplug the charger before cleaning it. Your charger does not require any maintenance apart from regular cleaning.
- ◆ Regularly clean the ventilation slots in your appliance/tool/charger using a soft brush or dry cloth.
- ◆ Regularly clean the motor housing using a damp cloth. Do not use any abrasive or solvent-based cleaner.
- ◆ Regularly open the chuck and tap it to remove any dust from the interior (when fitted).

Mains plug replacement (U.K. & Ireland only)

If a new mains plug needs to be fitted:

- ◆ Safely dispose of the old plug.
- ◆ Connect the brown lead to the live terminal in the new plug.
- ◆ Connect the blue lead to the neutral terminal.

Warning! No connection is to be made to the earth terminal. Follow the fitting instructions supplied with good quality plugs. Recommended fuse: 5 A.

Protecting the environment



Separate collection. This product must not be disposed of with normal household waste.

Should you find one day that your Black & Decker product needs replacement, or if it is of no further use to you, do not dispose of it with household waste. Make this product available for separate collection.



Separate collection of used products and packaging allows materials to be recycled and used again. Reuse of recycled materials helps prevent environmental pollution and reduces the demand for raw materials.

Local regulations may provide for separate collection of electrical products from the household, at municipal waste sites or by the retailer when you purchase a new product.

Black & Decker provides a facility for the collection and recycling of Black & Decker products once they have reached the end of their working life. To take advantage of this service please return your product to any authorised repair agent who will collect them on our behalf.

You can check the location of your nearest authorised repair agent by contacting your local Black & Decker office at the address indicated in this manual. Alternatively, a list of authorised Black & Decker repair agents and full details of our after-sales service and contacts are available on the Internet at: www.2helpU.com

Technical data

		KD975	KD985	KD990
		TYPE 3	TYPE 3	TYPE 3
Input voltage	V _{AC}	230	230	230
Power input	W	710	800	850
No-load speed	min ⁻¹	0-980	0-980	0-980
Impact rate	min ⁻¹	0-5,180	0-5,180	0-5,180
Impact energy	J	1.8	2.2	2.4
Max. drilling capacity				
Concrete	mm	22	24	26
Steel	mm	13	13	13
Wood	mm	30	30	30
Weight	kg	3.4	3.4	3.4

Level of sound pressure according to EN 60745:

Sound pressure (L_{pa}) 96 dB(A), uncertainty (K) 3 dB(A),
Acoustic power (L_{wa}) 107 dB(A), uncertainty (K) 3 dB(A)

Vibration total values (triax vector sum) according to EN 60745:

Hammer drilling into concrete (a_{h,HD}) 14.9 m/s²,
uncertainty (K) 1.5 m/s², Chiselling (a_{h,Cheq}) 9.0 m/s²,
uncertainty (K) 1.5 m/s²

EC declaration of conformity
MACHINERY DIRECTIVE



KD975/KD985/KD990

Black & Decker declares that these products described under "technical data" are in compliance with: 2006/42/EC, EN 60745-1, EN 60745-2-6.

These products also comply with Directive 2004/108/EC and 2011/65/EU. For more information, please contact Black & Decker at the following address or refer to the back of the manual.

The undersigned is responsible for compilation of the technical file and makes this declaration on behalf of Black & Decker.

Kevin Hewitt
Vice-President Global
Engineering
Black & Decker Europe,
210 Bath Road, Slough,
Berkshire, SL1 3YD
United Kingdom
30/06/2014

Guarantee

Black & Decker is confident of the quality of its products and offers an outstanding guarantee. This guarantee statement is in addition to and in no way prejudices your statutory rights. The guarantee is valid within the territories of the Member States of the European Union and the European Free Trade Area.

If a Black & Decker product becomes defective due to faulty materials, workmanship or lack of conformity, within 24 months from the date of purchase, Black & Decker guarantees to replace defective parts, repair products subjected to fair wear and tear or replace such products to

ENGLISH

make sure of the minimum inconvenience to the customer unless:

- ◆ The product has been used for trade, professional or hire purposes.
- ◆ The product has been subjected to misuse or neglect.
- ◆ The product has sustained damage through foreign objects, substances or accidents.
- ◆ Repairs have been attempted by persons other than authorised repair agents or Black & Decker service staff.

To claim on the guarantee, you will need to submit proof of purchase to the seller or an authorised repair agent. You can check the location of your nearest authorised repair agent by contacting your local Black & Decker office at the address indicated in this manual. Alternatively, a list of authorised Black & Decker repair agents and full details of our aftersales service and contacts are available on the Internet at: **www.2helpU.com**

Please visit our website

www.blackanddecker.co.uk to register your new Black & Decker product and to be kept up to date on new products and special offers. Further information on the Black & Decker brand and our range of products is available at **www.blackanddecker.co.uk**.

Bestimmungsgemäße Verwendung

Ihr Black & Decker Bohrhammer wurde zum Bohren in Holz, Metall, Kunststoff und Mauerwerk sowie zum Schrauben und für leichte Meißeleinsätze entwickelt. Dieses Gerät ist nicht für den gewerblichen Einsatz vorgesehen.

Sicherheitshinweise

Allgemeine Warnhinweise zur Sicherheit von Elektrowerkzeugen



Achtung! Lesen Sie sämtliche Sicherheitswarnhinweise und sonstigen Anweisungen. Die Nichteinhaltung der nachstehend aufgeführten Warnhinweise und sonstigen Anweisungen kann einen elektrischen Schlag, Brand und/oder schwere Verletzungen verursachen.

Bewahren Sie alle Warnhinweise und sonstigen Anweisungen zur künftigen Bezugnahme auf.

Der nachfolgend verwendete Begriff „Gerät“ bezieht sich auf netzbetriebene Geräte (mit Netzkabel) und auf akkubetriebene Geräte (ohne Netzkabel).

1. Sicherheit am Arbeitsplatz

- a. **Halten Sie Ihren Arbeitsbereich sauber und gut ausgeleuchtet.** Unordnung und dunkle Arbeitsbereiche fördern Unfälle geradezu heraus.
- b. **Arbeiten Sie mit Geräten nicht in explosionsgefährdeter Umgebung, in der sich brennbare Flüssigkeiten, Gase oder Stäube befinden.** Geräte erzeugen Funken, die den Staub oder die Dämpfe entzünden können.
- c. **Halten Sie Kinder und andere Personen während der Benutzung eines Geräts fern.** Bei Ablenkung können Sie die Kontrolle verlieren.

2. Elektrische Sicherheit

- a. **Der Anschlussstecker des Geräts muß in die Steckdose passen. Der Stecker darf in keiner Weise verändert werden. Verwenden Sie keine Adapterstecker gemeinsam mit schutzgeerdeten Geräten.** Unveränderte Stecker und passende Steckdosen verringern das Risiko eines elektrischen Schlages.
- b. **Vermeiden Sie Körperkontakt mit geerdeten Oberflächen von Rohren, Heizungen, Herden und Kühlschränken.** Es besteht ein erhöhtes Risiko eines elektrischen Schlags, wenn Ihr Körper geerdet ist.

- c. **Halten Sie Geräte von Regen und Nässe fern.** Das Eindringen von Wasser in ein Gerät erhöht das Risiko eines elektrischen Schlages.
 - d. **Mißbrauchen Sie nicht das Kabel. Verwenden Sie das Kabel niemals zum Tragen, Ziehen oder Trennen des Gerätes vom Netz. Halten Sie das Kabel fern von Hitze, Öl, scharfen Kanten oder sich bewegenden Teilen.** Beschädigte oder verwickelte Kabel erhöhen das Risiko eines elektrischen Schlages.
 - e. **Wenn Sie mit einem Gerät im Freien arbeiten, verwenden Sie nur Verlängerungskabel, die auch für den Außenbereich zugelassen sind.** Die Verwendung eines für den Außenbereich geeigneten Verlängerungskabels verringert das Risiko eines elektrischen Schlages.
 - f. **Falls der Betrieb des Elektrowerkzeugs in einer feuchten Umgebung unvermeidbar ist, verwenden Sie einen mit einem Fehlerstromschutzschalter (FI-Schutzschalter) abgesicherten Stromkreis.** Durch die Verwendung eines FI-Schutzschalters wird das Risiko eines Stromschlags verringert.
- #### 3. Sicherheit von Personen
- a. **Seien Sie aufmerksam, achten Sie darauf, was Sie tun, und gehen Sie vernünftig mit einem Gerät um. Benutzen Sie das Gerät nicht, wenn Sie müde sind oder unter dem Einfluß von Drogen, Alkohol oder Medikamenten stehen.** Ein Moment der Unachtsamkeit beim Gebrauch von Geräten kann zu ernsthaften Verletzungen führen.
 - b. **Tragen Sie persönliche Schutzausrüstung. Tragen Sie immer eine Schutzbrille.** Das Tragen persönlicher Schutzausrüstung, wie Staubmaske, rutschfeste Sicherheitsschuhe, Schutzhelm oder Gehörschutz, je nach Art und Einsatz des Elektrowerkzeuges, verringert das Risiko von Verletzungen.
 - c. **Vermeiden Sie eine unbeabsichtigte Inbetriebnahme. Vergewissern Sie sich, dass der Schalter auf der Aus-Stellung steht, bevor Sie den Stecker in die Steckdose stecken und/oder das Akkupaket im Werkzeug stecken, das Werkzeug aufnehmen oder tragen.** Wenn Sie beim Tragen des Elektrowerkzeuges den Finger am Schalter haben oder das Werkzeug eingeschaltet an die Stromversorgung anschließen, kann dies zu Unfällen führen.

- d. **Entfernen Sie Einstell- oder Schraubenschlüssel, bevor Sie das Gerät einschalten.** Ein Schlüssel, der sich in einem sich drehenden Teil befindet, kann zu Verletzungen führen.
 - e. **Nicht zu weit nach vorne strecken! Achten Sie auf einen sicheren Stand, um in jeder Arbeitsposition das Gleichgewicht zu halten.** Dadurch können Sie das Gerät in unerwarteten Situationen besser unter Kontrolle halten.
 - f. **Tragen Sie geeignete Kleidung. Tragen Sie keine weite Kleidung oder Schmuck. Halten Sie Haare, Kleidung und Handschuhe fern von sich bewegenden Teilen.** Lockere Kleidung, Schmuck oder lange Haare können von sich bewegenden Teilen erfaßt werden.
 - g. **Falls Staubabsaug- und –auffangvorrichtungen vorhanden sind, vergewissern Sie sich, daß diese angeschlossen sind und richtig verwendet werden.** Das Verwenden dieser Einrichtungen verringert Gefährdungen durch Staub.
- 4. Gebrauch und Pflege von Geräten**
- a. **Überlasten Sie das Gerät nicht. Verwenden Sie für Ihre Arbeit das dafür bestimmte Gerät.** Mit dem passenden Gerät arbeiten Sie besser und sicherer im angegebenen Leistungsbereich.
 - b. **Benutzen Sie kein Gerät, dessen Schalter defekt ist.** Ein Gerät, das sich nicht mehr ein- oder ausschalten läßt, ist gefährlich und muß repariert werden.
 - c. **Trennen Sie den Stecker von der Stromquelle und/oder das Akkupaket vom Elektrowerkzeug, bevor Einstellungen vorgenommen, Zubehör gewechselt oder Elektrowerkzeuge verstaut werden.** Diese Vorsichtsmaßnahmen verhindern den unbeabsichtigten Start des Gerätes.
 - d. **Bewahren Sie unbenutzte Geräte außerhalb der Reichweite von Kindern auf. Lassen Sie Geräte nicht von Personen benutzen, die damit nicht vertraut sind oder diese Anweisungen nicht gelesen haben.** Geräte sind gefährlich, wenn Sie von unerfahrenen Personen benutzt werden.
 - e. **Halten Sie Geräte in einem einwandfreien Zustand. Kontrollieren Sie, ob bewegliche Teile falsch ausgerichtet sind oder klemmen und ob Teile gebrochen oder so beschädigt sind, daß die Funktion**

des Geräts beeinträchtigt ist. Lassen Sie beschädigte Geräte vor dem Gebrauch reparieren. Viele Unfälle haben ihre Ursache in schlecht gewarteten Geräten.

- f. **Halten Sie Schneidgeräte scharf und sauber.** Sorgfältig gepflegte Schneidgeräte mit scharfen Schneidkanten verkleben sich weniger und sind leichter zu führen.
 - g. **Verwenden Sie das Elektrowerkzeug, Zubehör sowie Werkzeug-Bits, usw. entsprechend diesen Anweisungen. Berücksichtigen Sie dabei die Arbeitsbedingungen sowie die durchzuführende Arbeit.** Der Gebrauch von Geräten für andere als die vorgesehenen Anwendungen kann zu gefährlichen Situationen führen.
- 5. Service**
- a. **Lassen Sie Ihr Gerät nur von qualifiziertem Fachpersonal und nur mit Original-Ersatzteilen reparieren.** Damit wird gewährleistet, daß die Sicherheit des Geräts erhalten bleibt.

Zusätzliche Warnhinweise zur Sicherheit von Elektrowerkzeugen



Achtung! Zusätzliche Sicherheitswarnhinweise für Bohrhämmer.

- ♦ **Tragen Sie einen Gehörschutz.** Lärm kann Gehörschäden verursachen.
- ♦ **Verwenden Sie die im Lieferumfang des Werkzeugs enthaltenen Zusatzhandgriffe.** Ein Kontrollverlust kann Personenverletzungen verursachen.
- ♦ **Halten Sie das Elektrowerkzeug an den isolierten Griffflächen, wenn Arbeiten durchgeführt werden, bei denen das Schneidezubehör versteckte Leitungen oder die eigene Anschlußleitung berühren könnte.** Schneidezubehöerteil, das eine spannungsführende Leitung berühren, setzen die freiliegenden Metallteile des Geräts unter Spannung und der Benutzer erleidet einen Stromschlag.
- ♦ **Verwenden Sie niemals ein Meißel im Rotationsmodus.** Das Zubehör bleibt im Material stecken und der Bohrhammer dreht sich.
- ♦ **Verwenden Sie Zwingen oder ähnliche Mittel, um das Werkstück auf einer stabilen Plattform zu halten und zu sichern.** Falls das Werkstück

mit der Hand oder gegen den Körper gehalten wird, bleibt es instabil und Sie können die Kontrolle verlieren.

- ◆ Informieren Sie sich vor dem Bohren in Wände, Böden und Decken über den genauen Verlauf von Leitungen und Rohren.
- ◆ Vermeiden Sie eine Berührung der Spitze eines Bohrers kurz nach dem Bohren, da sie heiß sein kann.
- ◆ Die bestimmungsgemäße Verwendung ist in dieser Bedienungsanleitung beschrieben. Das Verwenden anderer als der in dieser Anleitung empfohlenen Anbaugeräte und Zubehörteile oder die Ausführung von Arbeiten mit diesem Gerät, die nicht der bestimmungsgemäßen Verwendung entsprechen, kann zu Unfallgefahren und/oder Sachschäden führen.

Sicherheit anderer Personen

- ◆ Dieses Gerät darf nicht von Personen (einschließlich Kindern) mit eingeschränkten körperlichen, sensorischen oder geistigen Fähigkeiten verwendet werden. Auch darf es nicht von Personen verwendet werden, die keine Erfahrung mit dem Gerät oder Kenntnis darüber haben, es sei denn, sie stehen beim Gebrauch unter der Aufsicht und Anleitung einer für deren Sicherheit verantwortlichen Person.
- ◆ Kinder müssen beaufsichtigt werden, um sicherzustellen, daß sie nicht mit dem Gerät spielen.

Vibrationen

Die angegebenen Vibrationswerte in den Technischen Daten und der Konformitätserklärung wurden gemäß einer standardisierten und durch EN 60745 festgelegten Prüfmethode gemessen und können herangezogen werden, um ein Werkzeug mit einem anderen zu vergleichen. Der angegebene Vibrationswert kann auch für eine vorläufige Einstufung der Freisetzung herangezogen werden.

Achtung! Der Vibrationswert beim eigentlichen Gebrauch des Elektrowerkzeugs kann vom angegebenen Wert abweichen. Dies hängt davon ab, auf welche Weise das Werkzeug verwendet wird. Der Vibrationswert kann über den angegebenen Wert hinaus ansteigen.

Bei der Einstufung der Vibrationen zur Festlegung der von 2002/44/EG geforderten Sicherheitsmaßnahmen zum Schutz von Personen, die beruflich regelmäßig mit Elektrowerkzeugen arbeiten,

muß eine Vibrationseinstufung die tatsächlichen Gebrauchsbedingungen und die Art und Weise berücksichtigen, wie das Werkzeug verwendet wird. Auch müssen alle Aspekte des Arbeitszyklus berücksichtigt werden, wie beispielsweise die Zeiten, in denen das Werkzeug aus- und eingeschaltet ist und im Leerlauf läuft.

Schilder auf dem Gerät

Es befinden sich folgende Bildzeichen auf dem Gerät:



Achtung! Um die Verletzungsgefahr zu verringern, muß der Benutzer die Bedienungsanleitung lesen.

Elektrische Sicherheit



Dieses Gerät ist schutzisoliert, daher ist keine Erdleitung erforderlich. Überprüfen Sie immer, ob die Netzspannung der auf dem Typenschild des Elektrowerkzeuges angegebenen Spannung entspricht.

- ◆ Falls das Netzkabel beschädigt ist, so ist es vom Hersteller oder einem autorisierten Black & Decker Service Center auszutauschen, um Gefahren vorzubeugen.

Merkmale

Dieses Gerät weist einige oder alle der folgenden Merkmale auf.

1. Drehzahl-Regelschalter
2. Ausschaltsperr
3. Rechts-/Linkslaufschalter
4. Drehzahl-Vorwahlknopf
5. Betriebsartenschalter
6. Werkzeugaufnahme
7. Seitenhandgriff
8. Tiefenanschlag

Montage

Achtung! Vergewissern Sie sich vor der Montage, daß das Gerät ausgeschaltet ist und daß der Netzstecker gezogen wurde.

Anbringen des Seitenhandgriffs und des Tiefenanschlags (Abb. A)

- ◆ Drehen Sie den Griff gegen den Uhrzeigersinn, bis der Seitenhandgriff (7) wie angegeben vorne auf das Gerät geschoben werden kann.
- ◆ Drehen Sie den Seitenhandgriff in die gewünschte Stellung.
- ◆ Setzen Sie den Tiefenanschlag (8) wie angegeben in die Befestigungsöffnung ein.
- ◆ Stellen Sie den Tiefenanschlag auf die gewünschte Position ein. Die maximale Bohrtiefe ist der Abstand zwischen der Spitze

des Bohrers und dem vorderen Ende des Tiefenanschlags.

- ◆ Ziehen Sie den Seitenhandgriff an, indem Sie ihn im Uhrzeigersinn drehen.

Montieren eines Zubehöerteils (Abb. B)

- ◆ Reinigen und fetten Sie gegebenenfalls den Schaft (9).
- ◆ Ziehen Sie den Spannring (10) zurück und setzen Sie den Schaft in die Werkzeugaufnahme (6).
- ◆ Drücken Sie das Zubehör bis zum Anschlag hinein und drehen Sie es, bis es in den Schlitten sitzt.
- ◆ Ziehen Sie am Zubehör, um sich zu vergewissern, daß es richtig gesichert ist. Für die Hammerfunktion ist es erforderlich, daß sich das im Werkzeughalter eingespannte Zubehör einige Zentimeter in axialer Richtung bewegen kann.
- ◆ Um das Zubehör zu entfernen, ziehen Sie den Spannring (10) zurück und ziehen Sie das Zubehör heraus.

KD985/KD990 - Anbringen des Schlüssel-Bohrfutters (Abb. C)

- ◆ Bringen Sie den Schaft (11) des mitgelieferten Bohrfutters (12) wie oben beschrieben im Werkzeughalter an.

Achtung! Verwenden Sie zum Schlagbohren nie Schlüssel-Bohrfutter.

KD985/KD990 - Anbringen von Zubehör im Schlüssel-Bohrfutter (Abb. D)

- ◆ Öffnen Sie das Bohrfutter durch Drehen des Spannring (13).
- ◆ Stecken Sie den Werkzeugschaft (14) in das Spannfutter.
- ◆ Stecken Sie den Bohrfutterschlüssel (15) in eines der seitlichen Löcher (16) des Bohrfutters und drehen Sie es fest.

Restrisiken.

Für den Gebrauch dieses Geräts verbleiben zusätzliche Restrisiken, die möglicherweise nicht in den Sicherheitswarnungen genannt werden. Diese Risiken bestehen beispielsweise bei Missbrauch oder längerem Gebrauch.

Auch bei der Einhaltung der entsprechenden Sicherheitsvorschriften und der Verwendung aller Sicherheitsgeräte bestehen weiterhin bestimmte Restrisiken. Diese werden im Folgenden aufgeführt:

- ◆ **Verletzungen, die durch das Berühren von sich drehenden/bewegenden Teilen verursacht werden.**

- ◆ **Verletzungen, die durch das Austauschen von Teilen, Messern oder Zubehör verursacht werden.**
- ◆ **Verletzungen, die durch längeren Gebrauch eines Geräts verursacht werden. Legen Sie bei längerem Gebrauch regelmäßige Pausen ein.**
- ◆ **Beeinträchtigung des Gehörs.**
- ◆ **Gesundheitsrisiken durch das Einatmen von Staub beim Gebrauch des Geräts (Beispielsweise bei Holzarbeiten, insbesondere Eiche, Buche und Pressspan).**

Gebrauch

Achtung! Beschleunigen Sie den Arbeitsvorgang nicht mit Gewalt. Vermeiden Sie eine Überlastung des Gerätes.

Achtung! Informieren Sie sich vor dem Bohren in Wände, Böden und Decken über den genauen Verlauf von Leitungen und Rohren.

Wahl der Betriebsart (Abb. E)

Dieses Werkzeug läßt sich in drei Betriebsarten benutzen: Drehen Sie den Betriebsartenschalter (5) in die gewünschte und durch die Pfeile angegebene Stellung.

Bohren

- ◆ Um in Stahl, Holz oder Kunststoff zu bohren sowie zum Schrauben stellen Sie den Betriebsartenschalter (5) in die Position **1**.
- ◆ Beim Schrauben beginnen Sie mit einer langsamen Drehzahl. Beim Herausdrehen von Schrauben wird die Drehzahl automatisch verringert.

Schlagbohren

- ◆ Um Schlagbohrarbeiten in Mauerwerk und Beton durchzuführen, stellen Sie den Betriebsartenschalter (5) in die Position **T1**.
- ◆ Im Hammerbetrieb sollte das Werkzeug nicht federn sondern ruhig laufen. Erhöhen Sie gegebenenfalls die Drehzahl.

Hammerbetrieb

- ◆ Beim Hammerbetrieb mit Spindelarreterung sowie bei leichten Meißelarbeiten stellen Sie den Betriebsartenschalter (5) auf die Position **T**.
- ◆ Vergewissern Sie sich, daß der Rechts-/ Linkslauf-Umschalter auf Rechtslauf steht.
- ◆ Beim Wechsel von Schlagbohren auf Meißeln drehen Sie den Meißel in die gewünschte

Position. Wird während des Betriebsart-Wechsels ein Widerstand gespürt, drehen Sie den Meißel etwas, damit die Spindelarretierung einrastet.

Wahl der Laufrichtung

Zum Bohren, zum Anziehen von Schrauben sowie zum Meißeln verwenden Sie den Rechtslauf (im Uhrzeigersinn). Zum Lösen von Schrauben sowie zum Lösen eines festsitzenden Bohrers verwenden Sie den Linkslauf (gegen den Uhrzeigersinn).

- ◆ Für Rechtslauf schieben Sie den Rechts-/Linkslaufschalter (3) nach links.
- ◆ Für Linkslauf schieben Sie den Rechts-/Linkslaufschalter nach rechts.

Achtung! Ändern Sie niemals die Laufrichtung, während der Motor läuft.

Einstellen der Bohrtiefe (Abb. F)

- ◆ Lockern Sie den Seitenhandgriff (7), indem Sie ihn gegen den Uhrzeigersinn drehen.
- ◆ Stellen Sie den Tiefenanschlag (8) auf die gewünschte Position ein. Die maximale Bohrtiefe ist der Abstand zwischen der Spitze des Bohrers und dem vorderen Ende des Tiefenanschlags.
- ◆ Ziehen Sie den Seitenhandgriff an, indem Sie ihn im Uhrzeigersinn drehen.

Ein- und Ausschalten

- ◆ Um das Gerät einzuschalten, drücken Sie auf den Drehzahl-Regelschalter (1). Je tiefer Sie den Schalter drücken, umso höher ist die Drehzahl des Geräts. Stellen Sie den Geschwindigkeitsvorwahlknopf (4) auf die gewünschte Geschwindigkeit ein.
- ◆ Benutzen Sie die Geschwindigkeiten 1-6 nur kurzzeitig.
- ◆ Im Allgemeinen sollten für Bohrer mit großen Durchmessern niedrige Drehzahlen und für Bohrer mit kleineren Durchmessern hohe Drehzahlen verwendet werden.
- ◆ Drücken Sie für Dauerbetrieb die Ausschaltsperrleiste (2). Sie können nun den Drehzahl-Regelschalter loslassen. Diese Möglichkeit besteht nur beim Rechtslauf (im Uhrzeigersinn).
- ◆ Um das Gerät auszuschalten, lassen Sie den Geschwindigkeitsregelschalter los. Ausschalten im Dauerbetrieb: drücken Sie den Drehzahl-Regelschalter erneut, und lassen Sie ihn wieder los.

Zubehör

Die Leistung Ihres Geräts hängt vom verwendeten Zubehör ab. Black & Decker und Piranha Zubehör ist nach hohen Qualitätsnormen gefertigt und dafür ausgelegt, die Leistung Ihres Geräts zu steigern. Durch Verwendung dieses Zubehörs erzielen Sie die größtmögliche Leistung Ihres Geräts.

Wartung

Ihr netz- oder akkubetriebenes Black & Decker Gerät/Werkzeug wurde im Hinblick auf eine lange Lebensdauer und einen möglichst geringen Wartungsaufwand entwickelt. Ein dauerhafter, einwandfreier Betrieb setzt eine regelmäßige Pflege und Reinigung voraus.

Achtung! Vor der Durchführung von Wartungsarbeiten an Elektrogeräten/-werkzeugen mit oder ohne Netzleitung:

- ◆ Schalten Sie das Gerät/Werkzeug aus und ziehen Sie den Netzstecker.
- ◆ Oder schalten Sie das Gerät aus und entfernen Sie den Akku aus dem Gerät/Werkzeug, falls das Gerät/Werkzeug einen eigenen Akku hat.
- ◆ Oder lassen Sie den Akku vollkommen leerlaufen, falls dieser im Gerät eingebaut ist. Schalten Sie das Gerät dann aus.
- ◆ Ziehen Sie den Netzstecker des Ladegeräts aus der Steckdose, bevor Sie es reinigen. Ihr Ladegerät bedarf keinerlei Wartung außer einer regelmäßigen Reinigung.
- ◆ Reinigen Sie regelmäßig die Lüftungsschlitze im Gerät/ Werkzeug/Ladegerät mit Hilfe einer weichen Bürste oder eines trockenen Lappens.
- ◆ Reinigen Sie regelmäßig das Motorgehäuse mit Hilfe eines feuchten Lappens. Verwenden Sie keine scheuernden Reinigungsmittel oder Reinigungsmittel auf Lösungsmittelbasis.
- ◆ Reinigen Sie regelmäßig das Spannfutter (falls angebracht), indem Sie es öffnen und durch leichtes Klopfen den Staub aus dem Inneren entfernen.

Umweltschutz



Getrennte Entsorgung. Dieses Produkt darf nicht über den normalen Hausmüll entsorgt werden.

Sollte Ihr Black & Decker Produkt eines Tages erneuert werden müssen, oder falls Sie es nicht weiter verwenden wollen, so darf es nicht über den Hausmüll entsorgt werden. Stellen Sie dieses Produkt zur getrennten Entsorgung bereit.



Durch die getrennte Entsorgung gebrauchter Produkte und Verpackungen können die Materialien recycelt und wiederverwertet werden. Die Wiederverwertung recycelter Materialien schont die Umwelt und verringert die Nachfrage nach Rohstoffen.

Die regionalen Bestimmungen schreiben unter Umständen die getrennte Entsorgung elektrischer Produkte aus dem Haushalt an Sammelstellen oder seitens des Händlers vor, bei dem Sie das neue Produkt erworben haben.

Black & Decker nimmt Ihre ausgedienten Black & Decker Geräte gern zurück und sorgt für eine umweltfreundliche Entsorgung und Wiederverwertung. Um diesen Dienst zu nutzen, schicken Sie bitte Ihr Produkt zu einer Vertragswerkstatt. Hier wird es dann auf unsere Kosten gesammelt.

Die Adresse der zuständigen Black & Decker Vertretung steht in diesem Handbuch, darüber läßt sich die nächstgelegene Vertragswerkstatt ermitteln. Außerdem ist eine Liste der Vertragswerkstätten und aller Kundendienststellen von Black & Decker sowie der zuständigen Ansprechpartner im Internet zu finden unter: www.2helpU.com

Technische Daten

		KD975	KD985	KD990
		TYPE 3	TYPE 3	TYPE 3
Spannung	V _{AC}	230	230	230
Leistungsaufnahme	W	710	800	850
Leerlaufdrehzahl	min ⁻¹	0-980	0-980	0-980
Schlaggeschwindigkeit	min ⁻¹	0-5.180	0-5.180	0-5.180
Schlagenergie	J	1,8	2,2	2,4
Max. Bohrkapazität				
Beton	mm	22	24	26
Stahl	mm	13	13	13
Holz	mm	30	30	30
Gewicht	kg	3,4	3,4	3,4

Höhe des Schalldrucks gemäß EN 60745:

Schalldruck (L_{PA}) 96 dB(A), Unsicherheitsfaktor (K) 3 dB(A), Schalleistung (L_{WA}) 107 dB(A), Unsicherheitsfaktor (K) 3 dB(A)

Gesamtvibrationswerte (Triax-Vektorsumme) gemäß EN 60745:

Hammerbohren in Beton (a_{h,HD}) 14,9 m/s², Unsicherheitsfaktor (K) 1,5 m/s², Meißeln (a_{h,Chisel}) 9,0 m/s², Unsicherheitsfaktor (K) 1,5 m/s²

EG-Konformitätserklärung
MASCHINENRICHTLINIE



KD975/KD985/KD990

Black & Decker erklärt, daß diese unter "Technische Daten" beschriebenen Produkte folgende Richtlinien erfüllen: 2006/42/EC, EN 60745-1, EN 60745-2-6.

Diese Produkte entsprechen auch der Direktive 2004/108/EC und 2011/65/EU. Wenden Sie sich für weitere Informationen bitte an folgende Black & Decker Anschrift bzw. an die hinten im Handbuch angegebene Anschrift.

Der Unterzeichnete ist für die Zusammenstellung der technischen Datei verantwortlich und gibt diese Erklärung im Namen von Black & Decker ab.

Kevin Hewitt
Vice-President Global Engineering
Black & Decker Europe,
210 Bath Road, Slough,
Berkshire, SL1 3YD
Vereinigtes Königreich
30/06/2014

Garantie

Black & Decker vertraut auf die Qualität der eigenen Geräte und bietet dem Käufer eine außergewöhnliche Garantie. Diese Garantiezusage versteht sich unbeschadet der gesetzlichen Gewährleistungsansprüche und schränkt diese keinesfalls ein. Sie gilt in sämtlichen Mitgliedsstaaten der Europäischen Union und der Europäischen Freihandelszone EFTA.

Tritt innerhalb von 24 Monaten ab Kaufdatum an einem Gerät von Black & Decker ein auf Material- oder Verarbeitungsfehler zurückzuführender Mangel auf, garantiert Black & Decker den Austausch defekter Teile, die Reparatur von Geräten mit üblichem Verschleiß bzw. den Austausch eines mangelhaften Geräts, ohne den Kunden dabei mehr als unbedingt nötig in Anspruch zu nehmen, allerdings vorbehaltlich folgender Ausnahmen:

- ◆ wenn das Gerät gewerblich, beruflich oder im Verleihgeschäft benutzt wurde;
- ◆ wenn das Gerät mißbräuchlich verwendet oder mit mangelnder Sorgfalt behandelt wurde;

- ◆ wenn das Gerät durch irgendwelche Fremdeinwirkung beschädigt wurde;
- ◆ wenn ein unbefugter Reparaturversuch durch anderes Personal als das einer Vertragswerkstatt oder des Black & Decker-Kundendienstes unternommen wurde.

Zur Inanspruchnahme dieser Garantie ist dem Verkäufer bzw. der Vertragswerkstatt ein Kaufnachweis vorzulegen. Der Kaufnachweis muß Kaufdatum und Gerätetyp bescheinigen. Die Adresse des zuständigen Büros von Black & Decker steht in dieser Anleitung, darüber läßt sich die nächstgelegene Vertragswerkstatt ermitteln. Außerdem ist eine Liste der Vertragswerkstätten und aller Kundendienststellen von Black & Decker sowie der zuständigen Ansprechpartner im Internet zu finden unter: **www.2helpU.com**

Bitte besuchen Sie unsere Webseite **www.blackanddecker.de**, um Ihr neues Black & Decker Produkt zu registrieren und über neue Produkte und Sonderangebote aktuell informiert zu werden. Weitere Informationen über die Marke Black & Decker und unsere Produkte finden Sie unter **www.blackanddecker.de**

Utilisation prévue

Votre perceuse à percussion rotative Black & Decker a été conçue pour percer le bois, le métal, le plastique et la maçonnerie pour fonctionner comme visseuse-dévisseuse et pour des travaux de burinage légers. Cet outil a été conçu pour une utilisation exclusivement domestique.

Instructions de sécurité

Consignes de sécurité générales pour les outils électriques



Attention! Prenez connaissance de tous les avertissements de sécurité et de toutes les instructions. Le non-respect des avertissements et des instructions indiqués ci-dessous peut entraîner une électrocution, un incendie ou de graves blessures.

Conservez tous les avertissements et instructions pour référence future.

La notion d'« outil électroportatif » mentionnée par la suite se rapporte à des outils électriques raccordés au secteur (avec câble de raccordement) ou fonctionnant sur piles (sans fil).

1. Sécurité de la zone de travail

- a. **Maintenez la zone de travail propre et bien éclairée.** Un lieu de travail en désordre ou mal éclairé augmente le risque d'accidents.
- b. **N'utilisez pas les outils électroportatifs dans un environnement présentant des risques d'explosion ni en présence de liquides, gaz ou poussières inflammables.** Les outils électroportatifs génèrent des étincelles risquant d'enflammer les poussières ou les vapeurs.
- c. **Tenez les enfants et autres personnes éloignés durant l'utilisation de l'outil électroportatif.** En cas d'inattention, vous risquez de perdre le contrôle sur l'outil.

2. Sécurité électrique

- a. **La fiche de secteur de l'outil électroportatif doit convenir à la prise de courant. Ne modifiez en aucun cas la fiche. N'utilisez pas de fiches d'adaptateur avec des outils ayant une prise de terre.** Les fiches non modifiées et les prises de courant appropriées réduisent le risque d'électrocution.
- b. **Évitez le contact physique avec des surfaces mises à la terre telles que tuyaux, radiateurs, fours et réfrigérateurs.** Il y a un

risque élevé d'électrocution si votre corps est relié à la terre.

- c. **N'exposez pas l'outil électroportatif à la pluie ni à l'humidité.** La pénétration d'eau dans un outil électroportatif augmente le risque d'électrocution.
 - d. **Préservez le câble d'alimentation. N'utilisez pas le câble à d'autres fins que celles prévues, notamment pour porter l'outil, l'accrocher voire le débrancher de la prise de courant. Maintenez le câble éloigné des sources de chaleur, des parties grasses, des bords tranchants ou des parties de l'outil en rotation.** Un câble endommagé ou enchevêtré augmente le risque d'électrocution.
 - e. **Si vous utilisez l'outil électroportatif à l'extérieur, utilisez une rallonge homologuée pour utilisation à l'air libre.** L'utilisation d'une rallonge électrique homologuée pour les applications extérieures réduit le risque d'électrocution.
 - f. **Si l'usage d'un outil dans un emplacement humide est inévitable, utilisez une alimentation protégée par un dispositif à courant différentiel résiduel (RCD).** L'usage d'un RCD réduit le risque de choc électrique.
- #### 3. Sécurité personnelle
- a. **Restez vigilant, surveillez ce que vous faites. Faites preuve de bon sens quand vous utilisez l'outil électroportatif. N'utilisez pas l'outil lorsque vous êtes fatigué ou après avoir consommé de l'alcool, des drogues voire des médicaments.** Un moment d'inattention lors de l'utilisation de l'outil peut entraîner de graves blessures.
 - b. **Utilisez un équipement de protection personnelle. Portez toujours une protection pour les yeux.** Les équipements de protection personnelle tels que les masques anti-poussières, chaussures de sécurité antidérapantes, casques ou protections acoustiques utilisés dans des conditions appropriées réduisent les blessures.
 - c. **Évitez toute mise en marche involontaire. Vérifiez que l'interrupteur est en position arrêt avant de brancher l'outil au secteur ou au bloc de batteries, de le prendre ou de le porter.** Transporter les outils en avec le doigt sur l'interrupteur ou les brancher avec l'interrupteur en position de marche est une source d'accidents.

- d. **Enlevez tout outil ou clé de réglage avant de mettre l'outil en marche.** Une clé ou un outil se trouvant sur une partie en rotation peut causer des blessures.
 - e. **Adoptez une position confortable. Adoptez une position stable et gardez votre équilibre à tout moment.** Vous contrôlerez mieux l'outil dans des situations inattendues.
 - f. **Portez des vêtements appropriés. Ne portez pas de vêtements flottants ou de bijoux. N'approchez pas les cheveux, vêtements ou gants des parties des pièces mobiles.** Les vêtements amples, les bijoux ou les cheveux longs peuvent être attrapés dans les pièces en mouvement.
 - g. **Si des dispositifs servant à aspirer ou à recueillir les poussières doivent être utilisés, vérifiez qu'ils sont correctement raccordés et utilisés.** Le fait d'aspirer la poussière permet de réduire les risques inhérents à la poussière.
- 4. Utilisation des outils électroportatifs et précautions**
- a. **Ne surchargez pas l'outil. Utilisez l'outil électroportatif approprié pour le travail à effectuer.** Avec l'outil électroportatif approprié, vous travaillerez mieux et avec plus de sécurité à la vitesse pour laquelle il a été conçu.
 - b. **N'utilisez pas un outil électroportatif dont l'interrupteur est défectueux.** Un outil électroportatif qui ne peut plus être mis en ou hors fonctionnement est dangereux et doit être réparé.
 - c. **Déconnectez la prise de la source d'alimentation ou le pack-batterie de l'outil électrique avant tout réglage, changement d'accessoire voire rangement des outils électriques.** Cette mesure de précaution empêche une mise en marche par mégarde.
 - d. **Rangez les outils électroportatifs hors de portée des enfants. Ne laissez pas les personnes n'étant pas familiarisées avec l'outil ou n'ayant pas lu ces instructions l'utiliser.** Les outils électroportatifs sont dangereux lorsqu'ils sont utilisés par des personnes non initiées.
 - e. **Prenez soin des outils électroportatifs. Vérifiez que les parties en mouvement fonctionnent correctement et qu'elles ne sont pas coincées ; vérifiez qu'il n'y a pas de pièces cassées ou**

endommagées susceptibles de nuire au bon fonctionnement de l'outil. S'il est endommagé, faites réparer l'outil avant de l'utiliser. De nombreux accidents sont dus à des outils électroportatifs mal entretenus.

- f. **Maintenez les outils de coupe aiguisés et propres.** Des outils soigneusement entretenus avec des bords tranchants bien aiguisés se coincent moins souvent et peuvent être guidés plus facilement.
 - g. **Utilisez l'outil électrique, les accessoires et forets, etc. conformément à ces instructions, en tenant compte des conditions de travail et des tâches à effectuer.** L'utilisation des outils électroportatifs à d'autres fins que celles prévues peut entraîner des situations dangereuses.
- 5. Réparations**
- a. **Faites réparer votre outil électroportatif uniquement par du personnel qualifié et seulement avec des pièces de rechange d'origine.** Cela garantira le maintien de la sécurité de votre outil.

Avertissements de sécurité supplémentaires pour les outils électriques



Attention! Avertissements de sécurité supplémentaires pour les perceuses à percussion rotatives et de burinage.

- ◆ **Munissez-vous de protections auditives.** L'exposition au bruit peut causer des pertes de l'audition.
- ◆ **Utilisez les poignées additionnelles fournies avec l'outil.** Une perte de contrôle peut provoquer des blessures.
- ◆ **Tenez l'outil uniquement par les surfaces isolées des poignées si l'opération effectuée peut mettre la lame en contact avec des câbles électriques cachés ou son propre cordon électrique.** Le contact de l'accessoire de coupe avec un câble sous tension met les parties métalliques de l'outil sous tension et peut provoquer une électrocution de l'utilisateur.
- ◆ **N'utilisez jamais l'accessoire de burinage en mode rotatif.** L'accessoire risque de se bloquer dans le matériau et de faire tourner la perceuse.
- ◆ **Utilisez des fixations ou tout autre moyen pratique pour fixer et soutenir la pièce à ouvrir**

sur une plateforme stable. Si vous tenez la pièce à la main ou contre votre corps, elle est instable et vous pouvez en perdre le contrôle.

- ◆ Avant de percer les murs, les planchers ou les plafonds, vérifiez l'emplacement des fils électriques et des tuyaux.
- ◆ Evitez de toucher l'extrémité d'un foret juste après avoir percé car il peut être chaud.
- ◆ Le domaine d'utilisation de l'outil est décrit dans le présent manuel. L'utilisation d'accessoires ou la réalisation d'opérations avec cet outil autres que ceux recommandés dans le présent manuel peut entraîner un risque de blessure ou de dégâts.

Sécurité des tiers

- ◆ Cet appareil n'est pas destiné à être utilisé par des personnes (notamment des enfants) présentant des capacités physiques, sensorielles ou mentales limitées voire dépourvues de connaissance et d'expérience, sauf si elles sont supervisées ou ont reçu des instructions pour l'usage de l'appareil par une personne responsable de leur sécurité.
- ◆ Les enfants ne doivent pas jouer avec l'appareil.

Vibration

Les valeurs des émissions de vibrations mentionnées dans les données techniques et la déclaration de conformité ont été mesurées conformément à la méthode de test normalisée indiquée par EN 60745 et permettent les comparaisons entre outils. Les valeurs des émissions de vibrations peuvent également servir à une évaluation préliminaire de l'exposition.

Attention! Les valeurs des émissions de vibrations en utilisant réellement l'outil peuvent différer des valeurs déclarées en fonction du mode d'usage de l'outil. Le niveau de vibration peut dépasser le niveau indiqué.

Pour évaluer l'exposition aux vibrations afin de déterminer les mesures de sécurité imposées par 2002/44/CE pour protéger les personnes utilisant régulièrement des outils électriques, une estimation de l'exposition aux vibrations devrait prendre en compte les conditions réelles et le mode d'utilisation de l'outil, notamment l'ensemble du cycle de fonctionnement ainsi l'arrêt de l'outil et son fonctionnement au ralenti, outre le démarrage.

Étiquettes apposées sur l'outil

Les pictogrammes suivants sont présents sur l'outil :



Attention! Afin de réduire les risques de blessures, l'utilisateur doit lire le manuel d'instructions.

Sécurité électrique



L'outil est doublement isolé ; par conséquent, aucun câble de masse n'est nécessaire. Vérifiez si le voltage mentionné sur la plaque signalétique de la machine correspond bien à la tension de secteur présente sur lieu.

- ◆ Si le câble d'alimentation est endommagé, il doit être remplacé par le fabricant ou par un centre de réparation agréé Black & Decker afin d'éviter tout accident.

Caractéristiques

Cet outil comprend toutes ou certaines des caractéristiques suivantes.

1. Interrupteur à variateur de vitesse
2. Bouton de verrouillage
3. Sélecteur de rotation gauche/droite
4. Bouton de contrôle de vitesse variable
5. Sélecteur de mode de perçage
6. Porte-outil
7. Poignée latérale
8. Butée de profondeur

Assemblage

Attention! Avant l'assemblage, assurez-vous que l'outil est éteint et débranché.

Comment ajuster la poignée latérale et la butée de profondeur (fig. A)

- ◆ Faites tourner la poignée dans le sens inverse des aiguilles d'une montre jusqu'à ce que vous puissiez faire glisser la poignée latérale (7) sur le devant de l'outil comme indiqué.
- ◆ Faites tourner la poignée latérale dans la position souhaitée.
- ◆ Insérez la butée de profondeur (8) dans le trou de montage comme indiqué.
- ◆ Fixez la butée de profondeur dans la position souhaitée. La profondeur de perçage maximale est égale à la distance entre l'extrémité du foret et l'extrémité avant de la butée de profondeur.
- ◆ Serrez la poignée latérale en la faisant tourner dans le sens horaire.

Mise en place d'un accessoire (fig. B)

- ◆ Nettoyez et graissez la tige (9) de l'accessoire.
- ◆ Tirez sur le manchon vers l'arrière (10) et insérez la tige dans le support d'outil (6).

- ◆ Enfoncez l'accessoire et faites-le tourner légèrement jusqu'à ce qu'il soit bien en place dans les encoches.
- ◆ Tirez sur l'accessoire pour vérifier qu'il est bien bloqué. Pour pouvoir utiliser la fonction de percussion, l'accessoire doit pouvoir se déplacer sur le côté de plusieurs centimètres lorsqu'il est fixé dans le support d'outil.
- ◆ Pour enlever l'accessoire, tirez sur le manchon (10) et tirez sur l'accessoire.

KD985/KD990 - Mise en place du mandrin à clef (fig. C)

- ◆ Fixez la tige (11) du mandrin fourni (12) dans le support d'outils comme indiqué ci-dessus.

Attention! Ne jamais de mandrins à chief en mode de perçage à percussion.

KD985/KD990 - Mise en place d'accessoires dans le mandrin à clef (fig. D)

- ◆ Ouvrez le mandrin en faisant tourner le manchon (13).
- ◆ Insérez la tige de l'accessoire (14) dans le mandrin.
- ◆ Insérez la clé du mandrin (15) dans chaque orifice (16) du côté du mandrin et faites-la tourner pour bien serrer.

Risques résiduels.

L'utilisation d'un outil non mentionné dans les consignes de sécurité données peut entraîner des risques résiduels supplémentaires. Ces risques peuvent survenir si l'outil est mal utilisé, si l'utilisation est prolongée, etc.

Malgré l'application des normes de sécurité correspondantes et la présence de dispositifs de sécurité, les risques résiduels suivants ne peuvent être évités. Ceci comprend :

- ◆ **Les blessures dues au contact avec une pièce mobile/en rotation.**
- ◆ **Les blessures causées en changeant des pièces, lames ou accessoires.**
- ◆ **Les blessures dues à l'utilisation prolongée d'un outil. Une utilisation prolongée de l'outil nécessite des pauses régulières.**
- ◆ **Déficience auditive.**
- ◆ **Risques pour la santé causés par l'inhalation de poussières produites pendant l'utilisation de l'outil (exemple : travail avec du bois, surtout le chêne, le hêtre et les panneaux en MDF).**

Utilisation

Attention! Laissez l'outil fonctionner à sa propre vitesse. Ne le surchargez pas.

Attention! Avant de percer les murs, les planchers ou les plafonds, vérifiez l'emplacement des fils électriques et des tuyaux.

Sélection du mode de fonctionnement (fig. E)

Cet outil peut être utilisé en trois modes de fonctionnement. Faites tourner le sélecteur du mode de perçage (5) vers la position souhaitée, comme indiqué par les symboles.

Perçage

- ◆ Pour le perçage dans l'acier, le bois et le plastique, et pour le vissage, fixez le sélecteur de mode de fonctionnement (5) en position **1**.
- ◆ Lorsque vous vissez, commencez à vitesse réduite. Lorsque vous dévissez, la vitesse est automatiquement réduite.

Perçage à percussion

- ◆ Pour le perçage dans la maçonnerie et le béton, fixez le sélecteur de mode de fonctionnement (5) en position **T1**.
- ◆ Lorsque vous percez à percussion, l'outil ne doit pas avoir de rebonds et doit fonctionner sans à-coups. Au besoin, augmentez la vitesse.

Perçage à percussion.

- ◆ Pour le perçage à percussion avec verrouillage de l'arbre et pour le burinage et fixez le sélecteur de mode de fonctionnement (5) en position **T**.
- ◆ Vérifiez que le bouton avant/arrière est sur la position avant.
- ◆ Lorsque vous passez du mode de perçage au mode de burinage, faites tourner le burin dans la position souhaitée. Si vous sentez une résistance lorsque vous changez de mode, faites légèrement tourner le burin pour engager l'arbre.

Sélection du sens de rotation

Pour le perçage, le serrage des vis et le burinage, utilisez la rotation vers l'avant (dans le sens des aiguilles d'une montre). Pour desserrer les vis ou enlever un foret de perçage coincé, utilisez la rotation vers l'arrière (dans le sens anti-horaire).

- ◆ Pour sélectionner la rotation vers l'avant, poussez le sélecteur de rotation droite / gauche (3) vers la gauche.
- ◆ Pour sélectionner la rotation vers l'arrière, poussez le sélecteur de rotation droite / gauche vers la droite.

Attention! Ne changez jamais le sens de rotation lorsque le moteur est en marche.

Réglage de la profondeur de coupe (fig. F)

- ◆ Relâchez la poignée latérale (7) en la faisant tourner dans le sens anti-horaire.
- ◆ Fixez la butée de profondeur (8) dans la position souhaitée. La profondeur de perçage maximale est égale à la distance entre l'extrémité du foret et l'extrémité avant de la butée de profondeur.
- ◆ Serrez la poignée latérale en la faisant tourner dans le sens horaire.

Démarrage et arrêt

- ◆ Pour allumer l'outil, appuyez sur l'interrupteur de vitesse variable (1). La vitesse de l'outil dépend de la force que vous exercez sur l'interrupteur. Réglez la vitesse voulue avec le variateur de vitesse (4).
- ◆ N'utilisez les vitesses 1 à 6 que pour de courtes durées.
- ◆ En règle générale, utilisez des vitesses lentes pour les forets de perçage de gros diamètres et les vitesses rapides pour les forets de petits diamètres.
- ◆ Pour un fonctionnement en continu, appuyez sur le bouton de verrouillage (2) et relâchez l'interrupteur de vitesse variable. Cette option n'est disponible qu'en rotation vers l'avant (dans le sens des aiguilles d'une montre).
- ◆ Pour éteindre l'outil, relâchez le sélecteur de vitesse. Pour éteindre l'outil lorsqu'il est en fonctionnement continu, appuyez sur l'interrupteur de vitesse variable une fois de plus et relâchez-le.

Accessoires

Les performances de votre outil dépendent de l'accessoire que vous utilisez. Les accessoires Black & Decker et Piranha sont conçus selon les normes de haute qualité pour améliorer les performances de votre outil. En utilisant ces accessoires, vous obtiendrez les meilleurs résultats de votre outil.

Entretien

Votre appareil/outil Black & Decker avec/sans fil a été conçu pour fonctionner pendant longtemps avec un minimum d'entretien. Un fonctionnement continu satisfaisant dépend d'un nettoyage régulier et d'un entretien approprié de l'outil.

Attention! Avant toute activité d'entretien sur les outils électriques avec/sans fil:

- ◆ Eteignez et débranchez l'appareil/l'outil.

- ◆ Ou coupez et retirez la batterie de l'appareil/outil s'il comporte un pack-batterie séparé.
- ◆ Voir épuisez complètement la batterie si elle est intégrée puis mettez hors tension.
- ◆ Débranchez le chargeur avant de le nettoyer. Votre chargeur ne nécessite aucun autre entretien qu'un nettoyage régulier.
- ◆ Nettoyez régulièrement les fentes de ventilation de votre outil/appareil/chargeur à l'aide d'une brosse douce ou d'un chiffon sec.
- ◆ Nettoyez régulièrement le carter moteur à l'aide d'un chiffon humide. N'utilisez pas de produit abrasif ou à base de solvant.
- ◆ Ouvrez régulièrement le mandrin (le cas échéant) et tapotez dessus pour retirer toute poussière à l'intérieur.

Protection de l'environnement



Collecte séparée. Ce produit ne doit pas être jeté avec les déchets domestiques normaux.

Si vous décidez de remplacer ce produit Black & Decker, ou si vous n'en avez plus l'utilité, ne le jetez pas avec vos déchets domestiques. Rendez-le disponible pour une collecte séparée.



La collecte séparée des produits et emballages usés permet le recyclage des articles afin de les utiliser à nouveau. Le fait d'utiliser à nouveau des produits recyclés permet d'éviter la pollution environnementale et de réduire la demande de matières premières.

Les réglementations locales peuvent permettre la collecte séparée des produits électriques du foyer, dans des déchetteries municipales ou auprès du revendeur vous ayant vendu votre nouveau produit.

Black & Decker fournit un dispositif permettant de collecter et de recycler les produits Black & Decker lorsqu'ils ont atteint la fin de leur cycle de vie. Pour pouvoir profiter de ce service, veuillez retourner votre produit à un réparateur agréé qui se chargera de le collecter pour nous.

Pour connaître l'adresse du réparateur agréé le plus proche de chez vous, contactez le bureau Black & Decker à l'adresse indiquée dans ce manuel. Vous pourrez aussi trouver une liste des réparateurs agréés de Black & Decker et de plus amples détails sur notre service après-vente sur le site Internet à l'adresse suivante :

www.2helpU.com

Caractéristiques techniques

		KD975	KD985	KD990
		TYPE 3	TYPE 3	TYPE 3
Tension	V _{AC}	230	230	230
Puissance absorbée	W	710	800	850
Vitesse à vide	min ⁻¹	0-980	0-980	0-980
Vitesse d'impact	min ⁻¹	0-5.180	0-5.180	0-5.180
Energie d'impact	J	1,8	2,2	2,4
Capacité max. de perçage				
Béton	mm	22	24	26
Acier	mm	13	13	13
Bois	mm	30	30	30
Poids	kg	3,4	3,4	3,4

Niveau de pression acoustique selon EN 60745:

Pression acoustique (L_{PA}) 96 dB(A), incertitude (K) 3 dB(A), Puissance acoustique (L_{WA}) 107 dB(A), incertitude (K) 3 dB(A)

Valeurs totales de vibration (somme vectorielle triax) selon EN 60745:

Perçage à marteau dans le béton (a_{h,HD}) 14,9 m/s², incertitude (K) 1,5 m/s², Burinage (a_{h,Cheq}) 9,0 m/s², incertitude (K) 1,5 m/s²

Déclaration de conformité CE
DIRECTIVE MACHINES**KD975/KD985/KD990**

Black & Decker déclare que ces produits décrits sous les "caractéristiques techniques" sont conformes avec : 2006/42/EC, EN 60745-1, EN 60745-2-6.

Ces produits sont également conformes aux directives 2004/108/CE et 2011/65/EU. Pour en savoir plus, veuillez contacter Black & Decker à l'adresse suivante ou consultez le dos du manuel.

Le soussigné est responsable de la compilation du fichier technique et effectue cette déclaration au nom de Black & Decker.

Kevin Hewitt
Vice-président
Ingénierie globale
Black & Decker Europe,
210 Bath Road, Slough,
Berkshire, SL1 3YD
Royaume Uni
30/06/2014

Garantie

Black & Decker est confiant dans la qualité de ses produits et vous offre une garantie très étendue. Ce certificat de garantie est un document supplémentaire et ne peut en aucun cas se substituer à vos droits légaux. La garantie est valable sur tout le territoire des Etats Membres de l'Union Européenne et de la Zone de Libre Echange Européenne.

Si un produit Black & Decker s'avère défectueux en raison de matériaux en mauvaises conditions, d'une erreur humaine, ou d'un manque de conformité dans les 24 mois suivant la date d'achat, Black & Decker garantit le remplacement des pièces défectueuses, la réparation des produits usés ou cassés ou remplace ces produits à la convenance du client, sauf dans les circonstances suivantes:

- ◆ Le produit a été utilisé dans un but commercial, professionnel, ou a été loué.
- ◆ Le produit a été mal utilisé ou avec négligence.
- ◆ Le produit a subi des dommages à cause d'objets étrangers, de substances ou à cause d'accidents.
- ◆ Des réparations ont été tentées par des techniciens ne faisant pas partie du service technique de Black & Decker.

Pour avoir recours à la garantie, il est nécessaire de fournir une preuve d'achat au vendeur ou à un réparateur agréé. Pour connaître l'adresse du réparateur agréé le plus proche de chez vous, contactez le bureau Black & Decker à l'adresse indiquée dans ce manuel. Vous pourrez aussi trouver une liste des réparateurs agréés de Black & Decker et de plus amples détails sur notre service après-vente sur le site Internet à l'adresse suivante : www.2helpU.com

Visitez notre site Web www.blackanddecker.fr pour enregistrer votre nouveau produit Black & Decker et être informé des nouveaux produits et des offres spéciales. Pour plus d'informations concernant la marque Black & Decker et notre gamme de produits, consultez notre site www.blackanddecker.fr

Použití výrobku

Vaše kombinované kladivo Black & Decker je určeno pro vrtání do dřeva, kovů, plastů a zdiva a také pro šroubování a lehké sekání. Tento výrobek je určen pouze pro spotřebitelské použití

Bezpečnostní pokyny

Všeobecné bezpečnostní pokyny pro práci s elektrickým nářadím



Varování! Pozorně si přečtěte veškerá bezpečnostní varování a pokyny. Nedodržení níže uvedených pokynů může mít za následek úraz elektrickým proudem, vznik požáru anebo vážné poranění.

Veškerá bezpečnostní varování a pokyny uschovejte pro případné další použití.

Označení "výkonné nářadí" ve všech níže uvedených upozorněních odkazuje na vaše nářadí napájené ze sítě (obsahuje napájecí přívodní šňůru) nebo nářadí napájené z akumulátoru (bez napájecího kabelu).

1. Bezpečnost v pracovním prostoru

- a. **Udržujte pracovní prostor v čistotě a dobře osvětlený.** Nepořádek na pracovním stole a nedostatek světla v jeho okolí může vést ke způsobení nehody.
- b. **Nepracujte se zařízením ve výbušném prostředí, jako např. v blízkosti hořlavých kapalin, plynů nebo prachu.** Nářadí je zdrojem jiskření, které může zapálit prach nebo výpary.
- c. **Při práci s elektrickým nářadím dbejte na to, aby se do jeho blízkosti nedostaly děti a okolo stojící osoby.** Rozptylování může způsobit ztrátu kontroly nad nářadím.

2. Elektrická bezpečnost

- a. **Zástrčka napájecího kabelu nářadí musí odpovídat zásuvce. Zástrčku nikdy žádným způsobem neupravujte. U nářadí chráněného zemněním nepoužívejte jakékoliv redukce zástrček.** Neupravené zástrčky a odpovídající zásuvky snižují riziko vzniku úrazu elektrickým proudem.
- b. **Vyvarujte se dotyku s uzemněnými plochami jako je potrubí, radiátory, sporáky a ledničky.** Při uzemnění vašeho těla vzrůstá riziko úrazu elektrickým proudem.
- c. **Nářadí nevystavujte dešti ani vlhkému prostředí.** Pokud do nářadí vnikne voda, zvýší se riziko úrazu elektrickým proudem.

- d. **S napájecím kabelem zacházejte opatrně. Nikdy nepoužívejte napájecí kabel k přenášení nářadí, jeho posouvání nebo za něj netahejte při odpojování nářadí od elektrické sítě. Dbejte na to, aby se napájecí kabel nedostal do kontaktu s horkými povrchy, olejem, ostrými hranami a pohyblivými částmi.** Poškozený nebo zapletený přívodní kabel zvyšuje riziko úrazu elektrickým proudem.
- e. **Používáte-li elektrické nářadí venku, použijte prodlužovací kabel vhodný pro venkovní použití.** Volba kabelu určeného k venkovnímu použití snižuje riziko úrazu elektrickým proudem.
- f. **Při práci s elektrickým nářadím ve vlhkém prostředí je nezbytně nutné použít v napájecím okruhu proudový chránič (RCD).** Použití proudového chrániče RCD snižuje riziko úrazu elektrickým proudem.

3. Bezpečnost obsluhy

- a. **Zůstaňte stále pozorní, sledujte, co provádíte a při práci s elektrickým nářadím přemýšlejte. Jste-li unavení nebo pod vlivem drog, alkoholu či léků, s nářadím nikdy nepracujte.** Chvilka nepozornosti při práci s nářadím může vést k vážnému úrazu.
- b. **Používejte prvky osobní ochrany. Vždy používejte ochranu zraku.** Ochranné prostředky, jako jsou respirátor, neklouzavá pracovní obuv, přilba nebo chrániče sluchu, snižují riziko poranění osob.
- c. **Zabraňte náhodnému spuštění. Před připojením ke zdroji napětí nebo před vložením akumulátoru, zvednutím nebo přenášením nářadí zkontrolujte, zda je hlavní spínač vypnutý.** Přenášení nářadí s prstem na hlavním spínači nebo připojení napájecího kabelu k elektrické síti, je-li hlavní spínač nářadí v poloze zapnuto, může způsobit úraz.
- d. **Před spuštěním nářadí se vždy ujistěte, zda nejsou v jeho blízkosti klíče nebo seřizovací přípravky.** Ponechané seřizovací klíče mohou být zachyceny rotujícími částmi nářadí a mohou tak způsobit úraz.
- e. **Nepřekázejte sami sobě. Při práci vždy udržujte vhodný a pevný postoj.** To umožní lepší ovladatelnost nářadí v neočekávaných situacích.

- f. **Vhodně se oblékejte. Nenoste volné šatstvo nebo šperky. Vaše vlasy, oděv a rukavice držte z dosahu pohyblivých částí.** Volný oděv, šperky nebo dlouhé vlasy mohou být pohyblivými díly zachyceny.
- g. **Pokud je zařízení vybaveno adaptérem pro připojení zařízení k zachytávání prachu, zajistěte jeho správné připojení a řádnou funkci.** Použití těchto zařízení může snížit nebezpečí týkající se prachu.
4. **Provoz a údržba elektrického nářadí**
- a. **Nářadí nepřetěžujte. Pro konkrétní aplikace použijte vhodné nářadí.** Při použití správného typu nářadí bude práce provedena lépe a bezpečněji.
- b. **Pokud nelze hlavní vypínač nářadí zapnout a vypnout, s nářadím nepracujte.** Jakékoliv nářadí s nefunkčním hlavním vypínačem je nebezpečné a musí být opraveno.
- c. **Před výměnou jakýchkoliv částí, příslušenství či jiných připojených součástí, před prováděním servisu nebo pokud nářadí nepoužíváte, odpojte je od elektrické sítě a/nebo vyjměte akumulátor.** Taková preventivní bezpečnostní opatření snižují riziko náhodného spuštění nářadí.
- d. **Uložte elektrické nářadí mimo dosah dětí a nedovolte ostatním osobám, které toto nářadí neumí ovládat nebo které neznají tyto bezpečnostní pokyny, aby s tímto elektrickým nářadím pracovaly.** Výkonné nářadí je v rukou nekvalifikované obsluhy nebezpečné.
- e. **Údržba elektrického nářadí. Zkontrolujte, zda nářadí nemá vychýlené nebo rozpojené pohyblivé části, zlomené díly nebo jakoukoliv jinou závadu, která může mít vliv na jeho správný chod. Pokud je nářadí poškozeno, nechte je opravit.** Mnoho nehod bývá způsobeno zanedbanou údržbou nářadí.
- f. **Řezné nástroje udržujte ostré a čisté.** Řádně udržované řezné nástroje s ostrými řeznými čepeli se méně zanášejí a lépe se ovládají.
- g. **Nářadí, příslušenství a držáky nástrojů používejte podle těchto pokynů a způsobem určeným daným typem nářadí, berte v úvahu provozní podmínky a práci, kterou je nutné vykonat.** Použití nářadí jiným způsobem a k jiným než doporučeným účelům může vést ke vzniku nebezpečných situací.

5. Opravy

- a. **Svěřte opravu Vašeho elektrického nářadí pouze osobě s příslušnou kvalifikací při použití výhradně originálních náhradních dílů.** Tím zajistíte bezpečný provoz nářadí.

Doplňkové bezpečnostní pokyny pro práci s elektrickým nářadím



Varování! Doplňkové bezpečnostní pokyny pro vrtací a bourací kladiva.

- ♦ **Používejte ochranu sluchu.** Nadměrná hluchnost může způsobit ztrátu sluchu.
- ♦ **Používejte přidavné rukojeti dodávané s nářadím.** Ztráta kontroly nad nářadím může vést k úrazu.
- ♦ **Při pracovních operacích, u kterých by mohlo dojít ke kontaktu se skrytými vodiči nebo s vlastním napájecím kabelem, držte elektrické nářadí vždy za izolovanou rukojeti.** Při kontaktu násady s „živým“ vodičem se nechráněné kovové části nářadí stanou také „živé“ a obsluha tak utrpí zásah elektrickým proudem.
- ♦ Nikdy nepoužívejte sekací násady v rotačním režimu. Násady se v obráběném materiálu sevrou a způsobí tak otáčení vrtačky.
- ♦ Obrobek si k pevně podložce upněte pomocí svorek či jiným vhodným způsobem. Přichycení obrobku rukou nebo k tělu je nestabilní a může vést ke ztrátě kontroly.
- ♦ Před vrtáním do zdí, podlah nebo stropů zjistěte polohu skrytých elektrických vedení a trubek.
- ♦ Nedotýkejte se hrotu vrtáku ihned po ukončení vrtání, může být horký.
- ♦ V tomto návodu je popsáno správné použití nářadí. Použití jakéhokoliv jiného příslušenství nebo přidavných zařízení, nebo provádění jakéhokoliv jiného využití tohoto přístroje, než je popsáno v tomto návodu k použití, může mít za následek riziko poranění osob nebo škody na majetku.

Bezpečnost ostatních

- ♦ Toto nářadí není určeno pro použití osobami (včetně dětí) se sníženými fyzickými, smyslovými nebo duševními schopnostmi, nebo s nedostatkem zkušeností a znalostí, pokud těmto osobám nebyl stanoven dohled, nebo pokud jim nebyly poskytnuty instrukce týkající se použití výrobku osobou odpovědnou za jejich bezpečnost.

- ♦ Děti by měly být pod dozorem, aby si s nářadím nehrály.

Vibrace

Deklarovaná úroveň vibrací uvedená v technických údajích a v prohlášení o shodě byla měřena v souladu se standardní zkušební metodou předepsanou normou EN 60745 a může být použita ke srovnání jednotlivých nářadí mezi sebou. Deklarovaná úroveň vibrací může být také použita k předběžnému stanovení doby práce s tímto výrobkem.

Varování! Úroveň vibrací při aktuálním použití elektrického nářadí se může od deklarované úrovně vibrací lišit v závislosti na způsobu použití výrobku. Úroveň vibrací může být oproti uvedené hodnotě vyšší.

Při stanovení vystavení se vibracím k určení bezpečnostních opatření podle normy 2002/44/EC k ochraně osob pravidelně používajících elektrické nářadí v zaměstnání by měl předběžný odhad působení vibrací brát na zřetel aktuální podmínky použití nářadí s přihlédnutím na všechny části pracovního cyklu, jako doby, při které je nářadí vypnuto a kdy běží naprázdno.

Štítky na nářadí

Na nářadí jsou uvedeny následující piktogramy:



Varování! Z důvodu snížení rizika vzniku úrazu musí být obsluha obeznámena s tímto návodem k obsluze.

Elektrická bezpečnost



Toto nářadí je chráněno dvojitou izolací; proto není nutné použití zemního vodiče. Vždy zkontrolujte, zda zdroj napětí odpovídá napětí na výkonovém štítku.

- ♦ Poškozený napájecí kabel musí být vyměněn výrobcem nebo zástupcem značkového servisu firmy Black & Decker.

Popis

Toto nářadí je vybaveno některými nebo všemi následujícími prvky.

1. Spínač s regulací otáček
2. Zajišťovací tlačítko
3. Přepínač pro chod vpřed / vzad
4. Regulátor plynu nastavitelných otáček
5. Volič režimu vrtání
6. Držák násady
7. Boční rukojeť
8. Hloubkový doraz

Montáž

Varování! Před montáží se ujistěte, zda je nářadí vypnuto a zda je napájecí kabel odpojen od zásuvky.

Upevnění boční rukojeti a hloubkového dorazu (obr. A)

- ♦ Podle obrázku otáčejte držadlem proti směru pohybu hodinových ručiček, až budete moci nasunout boční rukojeť (7) na přední část nářadí.
- ♦ Otočte boční rukojeť do požadované polohy.
- ♦ Zasuňte hloubkový doraz (8) do otvoru podle obrázku.
- ♦ Nastavte hloubkový doraz do požadované polohy. Maximální hloubka vrtání odpovídá vzdálenosti mezi špičkou vrtáku a přední částí hloubkového dorazu.
- ♦ Dotáhněte boční rukojeť otáčením držadla po směru pohybu hodinových ručiček.

Uchycení nástrojů (obr. B)

- ♦ Očistěte a namažte dřík (9) nástroje.
- ♦ Zatáhněte objímku (10) směrem dozadu a vložte dřík do držáku nástrojů (6).
- ♦ Zatlačte násadu dolů a lehce s ní otáčejte, dokud nezapadne do vybrání.
- ♦ Tahem zkontrolujte řádné zajištění násady. Funkce příklepu vyžaduje, aby se násada po zajištění v držáku mohla pohybovat po ose několik centimetrů.
- ♦ Pro vyjmutí nástroje zatáhněte objímku (10) dozadu a nástroj vysuňte.

KD985/KD990 - Upevnění standardního sklíčidla (obr. C)

- ♦ Upevněte dřík (11) dodávaného sklíčidla (12) do držáku nástrojů podle výše popsaného postupu.

Varování! Nikdy nepoužívejte standardní sklíčidla v režimu vrtání s příklepem.

KD985/KD990 - Uchycení nástrojů do standardního sklíčidla (obr. D)

- ♦ Sklíčidlo rozevřete otáčením objímky (13).
- ♦ Vložte nástroj (14) do sklíčidla.
- ♦ Vložte klíč (15) do některého z otvorů (16) na boční straně sklíčidla a otáčením dotáhněte.

Zbytková rizika

Další zbytková rizika mohou vzniknout při použití nářadí, které nemusí být uvedeno v příložených bezpečnostních výstrahách. Tato rizika mohou vzniknout v důsledku nesprávného použití nářadí, dlouhodobého použití nářadí atd.

Přestože jsou dodržovány příslušné bezpečnostní předpisy a jsou používána bezpečnostní zařízení, nemohou být vyloučena jistá zbytková rizika. Tato rizika jsou následující:

- ♦ Zranění způsobená kontaktem s rotujícími nebo pohyblivými díly nářadí.
- ♦ Zranění způsobená při výměně jakýchkoli dílů, řezných nástrojů nebo příslušenství.
- ♦ Zranění způsobená dlouhodobým použitím nářadí. Používáte-li jakékoli nářadí delší dobu, zajistěte, abyste mohli provádět pravidelné přestávky.
- ♦ Poškození sluchu.
- ♦ Zdravotní rizika způsobená vdechováním prachových částic při práci s nářadím (například: práce se dřevem, zejména s dubovým, bukovým a materiálem MDF.)

Použití

Varování! Nechejte nářadí pracovat jeho vlastním tempem. Zamezte přetěžování nářadí.

Varování! Před vrtáním do zdí, podlah nebo stropů zjistěte polohu skrytých elektrických vedení a trubek.

Volba pracovního režimu (obr. E)

Nářadí je možné provozovat ve třech pracovních režimech: Nastavte volič režimu vrtání (5) do požadované polohy označené příslušným symbolem.

Vrtání

- ♦ Pro vrtání do kovu, dřeva a plastů a pro šroubování nastavte volič režimu (5) do polohy 1.
- ♦ Šroubovat začínejte v nízkých otáčkách. Při uvolňování šroubů se otáčky motoru automaticky snižují.

Vrtání s příklepem

- ♦ Pro příklepové vrtání do zdiva a betonu nastavte volič režimu (5) do polohy T1.
- ♦ Při režimu příklepu by nářadí nemělo po povrchu poskakovat. V případě potřeby zvyšte otáčky.

Bourání

- ♦ Pro lehké sekání se zajištěnou hřídelí nastavte volič režimu (5) do polohy T.
- ♦ Zkontrolujte, zda je přepínač pro chod vpřed / vzad v poloze pro chod vpřed.
- ♦ Při změně z režimu vrtání s příklepem na režim sekání nastavte sekáč do požadované polohy. Pokud cítíte při změně režimu odpor, pootočte lehce sekáčem tak, aby došlo k zajištění hřídele.

Volba směru otáčení

Pro vrtání, utahování šroubů a pro sekání používejte otáčení směrem dopředu (po směru chodu hodinových ručiček). Pro uvolňování šroubů a zaseklých vrtáků použijte zpětný chod (otáčení proti směru chodu hodinových ručiček).

- ♦ Chcete-li zvolit chod vpřed, zatlačte spínač pro volbu chodu (3) směrem doleva.
- ♦ Chcete-li zvolit chod vzad, zatlačte spínač pro volbu chodu směrem doprava.

Varování! Nikdy neměňte směr otáčení za chodu motoru.

Nastavení hloubky vrtání (obr. F)

- ♦ Uvolněte otočením držadla proti směru hodinových ručiček boční rukojeť (7).
- ♦ Nastavte hloubkový doraz (8) do požadované polohy. Maximální hloubka vrtání odpovídá vzdálenosti mezi špičkou vrtáku a přední částí hloubkového dorazu.
- ♦ Dotáhněte boční rukojeť otáčením držadla po směru pohybu hodinových ručiček.

Zapnutí a vypnutí

- ♦ Nářadí zapnete stisknutím spínače s regulací otáček (1). Otáčky nářadí závisí na intenzitě stisknutí tohoto spínače. Nastavte regulátor otáček (4) do polohy, která bude odpovídat požadovaným otáčkám.
- ♦ Rychlosti 1 – 6 používejte pouze krátkodobě.
- ♦ Obecně používejte nižší otáčky pro větší průměry vrtáků a vyšší otáčky pro menší průměry.
- ♦ Pro plynulý chod stiskněte zajišťovací tlačítko (2) a uvolněte spínač s regulací otáček. To je možné pouze při chodu nářadí směrem vpřed (otáčení po směru pohybu hodinových ručiček).
- ♦ Nářadí vypnete tak, že uvolníte stisk hlavního vypínače s regulací otáček. Pro vypnutí nářadí za plynulého chodu spínač s regulací otáček opět stiskněte a uvolněte.

Příslušenství

Výkon Vašeho nářadí závisí na použitém příslušenství. Příslušenství řady Black & Decker a Piranha zajišťují nejvyšší kvalitu pracovních operací Vašeho nářadí. Použitím tohoto příslušenství u vašeho nářadí dosáhnete toho nejlepšího výsledku.

Údržba

Vaše nářadí Black & Decker bylo zkonstruováno tak, aby pracovalo po dlouhou dobu s minimálními nároky

na údržbu. Dlouhodobá bezproblémová funkce nářadí závisí na jeho řádné údržbě a pravidelném čištění.

Varování! Před zahájením jakékoli údržby výrobku/nářadí napájené baterií/napájecím kabelem:

- ◆ Vypněte nářadí a odpojte napájecí kabel od sítě.
- ◆ Nebo vypněte nářadí a vyjměte z něj baterii, lze-li tuto baterii z nářadí vyjmout.
- ◆ Nebo nelze-li baterii z nářadí vyjmout, nechejte nářadí v chodu, dokud nedojde k úplnému vybití baterie a potom nářadí vypněte.
- ◆ Před čištěním odpojte nabíječku od sítě. Vaše nabíječka nevyžaduje žádnou údržbu mimo pravidelné čištění.
- ◆ Větrací otvory nářadí a nabíječky pravidelně čistěte měkkým kartáčem nebo suchým hadříkem.
- ◆ Pomocí vlhkého hadříku pravidelně čistěte kryt motoru. Nepoužívejte žádné brusné čisticí prostředky nebo rozpouštědla.
- ◆ Pravidelně otvírejte skřípčidlo a poklepaním odstraňte prach z vnitřní části nářadí (je-li nářadí opatřeno skřípčidlem).

Ochrana životního prostředí



Třídění odpadu. Toto zařízení nesmí být vyhozeno do běžného domovního odpadu.

Pokud nebudete nářadí Black & Decker dále používat, nebo přejete-li si je nahradit novým, nelikvidujte nářadí spolu s běžným komunálním odpadem. Zajistěte likvidaci tohoto výrobku ve tříděném odpadu.



Tříděný odpad umožňuje recyklaci a opětovné využití použitých výrobků a obalových materiálů. Opětovné použití recyklovaných materiálů pomáhá chránit životní prostředí před znečištěním a snižuje spotřebu surovin.

Při zakoupení nových výrobků Vám prodejny, místní sběrný odpadů nebo recyklační stanice poskytnou informace o správné likvidaci elektro odpadů z domácnosti.

Také společnost Black & Decker poskytuje možnost sběru použitých výrobků nebo jejich recyklaci po ukončení jejich provozní životnosti. Chcete-li získat výhody této služby, odevzdejte prosím vaše nářadí jakémukoliv autorizovanému servisu Black & Decker, který nářadí odebere a zajistí jeho recyklaci.

Místo vaší nejbližší autorizované servisní pobočky Black & Decker se dozvíte na příslušné adrese uvedené na zadní straně této příručky. Přehled autorizovaných servisních dílen Black & Decker a rovněž další informace můžete nalézt také na internetové adrese: www.2helpU.com

Technické údaje

		KD975	KD985	KD990
		TYP 3	TYP 3	TYP 3
Napájecí napětí	V _{AC}	230	230	230
Příkon	W	710	800	850
Otáčky naprázdno	min ⁻¹	0-980	0-980	0-980
Frekvence rázů	min ⁻¹	0-5180	0-5180	0-5180
Energie rázu	J	1,8	2,2	2,4
Max. průměr vrtáku				
Beton	mm	22	24	26
Ocel	mm	13	13	13
Dřevo	mm	30	30	30
Hmotnost	kg	3,4	3,4	3,4

Hladina akustického tlaku podle normy EN 60745:

Akustický tlak (L_{pa}) 96 dB(A), odchylka (K) 3 dB(A), akustický výkon (L_{wa}) 107 dB(A), odchylka (K) 3 dB(A)

Celková úroveň vibrací (prostorový vektorový součet) podle normy EN 60745:

Vrtání s přiklepem do betonu (a_{n,HD}) 14,9 m/s², odchylka (K) 1,5 m/s², sekání (a_{n,Chaq}) 9,0 m/s², odchylka (K) 1,5 m/s²

ES Prohlášení o shodě
NAŘÍZENÍ PRO STROJNÍ ZAŘÍZENÍ



KD975/KD985/KD990

Společnost Black & Decker prohlašuje, že produkty popsané v technických údajích splňují požadavky následujících norem: 2006/42/EC, EN 60745-1, EN 60745-2-6.

Tyto výrobky splňují také požadavky směrnice 2004/108/EC a 2011/65/EU. Chcete-li získat další informace, kontaktujte prosím společnost Black & Decker na následující adrese nebo na adresách, které jsou uvedeny na konci tohoto návodu.

Níže podepsaná osoba je odpovědná za sestavení technických údajů a provádí toto prohlášení v zastoupení společnosti Black & Decker.

Kevin Hewitt
 Viceprezident pro
 spotřebitelskou techniku
 Black & Decker Europe,
 210 Bath Road, Slough,
 Berkshire, SL1 3YD
 United Kingdom
 30/06/2014

Při uplatňování reklamace je nutno prodejci nebo servisnímu středisku předložit doklad o nákupu výrobku. Místo vaší nejbližší autorizované servisní pobočky Black & Decker se dozvíte na příslušné adrese uvedené na zadní straně této příručky. Seznam autorizovaných servisů Black & Decker a podrobnosti o poprodejním servisu naleznete také na internetové adrese: **www.2helpU.com**

Navštivte naši internetovou adresu **www.blackanddecker.co.uk** a zaregistrujte si Váš výrobek Black & Decker. Budete tak mít neustále přehled o nových výrobcích a speciálních nabídkách. Další informace o značce Black & Decker a o našem výrobním programu získáte na internetové adrese **www.blackanddecker.co.uk**

Záruka

Společnost Black & Decker důvěřuje kvalitě svého vlastního nářadí a poskytuje kupujícím mimořádnou záruku. Tato záruka je nadstandardní a v žádném případě nepoškozuje Vaše zákonná práva. Tato záruka platí ve všech členských státech EU a Evropské zóny volného obchodu EFTA.

Objeví-li se na výrobku Black & Decker, v průběhu 24 měsíců od zakoupení, jakékoli materiálové či výrobní vady, garantujeme ve snaze o minimalizování vašich starostí bezplatnou výměnu vadných dílů, opravu nebo výměnu celého výrobku za níže uvedených podmínek:

- ◆ Výrobek nebyl používán pro obchodní nebo profesionální účely a nedocházelo-li k jeho pronájmu.
- ◆ Výrobek nebyl vystaven nesprávnému použití a nebyla zanedbána jeho předepsaná údržba.
- ◆ Výrobek nebyl poškozen cizím zaviněním.
- ◆ Nebyly prováděny opravy výrobku jinými osobami než pracovníky značkového servisu Black & Decker.

Rendeltetészerű használat

Szívóól gratulálunk új Black & Decker Pneumatikus Fúrókalapácsához. Ezt a készüléket fa, fém, műanyagok és kőzet fúrására valamint csavarozásra és könnyebb vésési feladatok elvégzésére terveztük. Az fúrókalapács iparszerű felhasználásra nem alkalmas.

Általános biztonságtechnikai előírások



Figyelem! Figyelmesen olvassa el a kezelési útmutatót a gép üzembe helyezése előtt. Elektromos szerszám használatakor mindig tartsa be az alábbi alapvető biztonsági rendszabályokat, így elkerülheti a tűzveszély, az elektromos áramütés, a személyi sérülések és az anyag károsodásának lehetőségét.

Kérjük, gondosan őrizze meg a kezelési útmutatót, hogy a későbbiekben is bármikor utánanézhessen a géppel kapcsolatos összes információknak.

Mielőtt bármilyen beállítást változtat a gépen, vagy karbantartási munkába kezd, mindig csatlakoztassa le a készüléket a hálózati áramforrásról.

1. Munkaterület

- a. **Tartsa rendben és világítsa meg munkahelyét.** A zsúfolt, rendetlen munkaterület növeli a balesetveszélyt. Gondoskodjon a munkaterület megfelelő megvilágításáról.
- b. **Ne használja a készüléket robbanás és tűzveszélyes helyeken, például gyúlékony folyadékok és gázok közelében.** Elektromos kéziszerszámok használatakor szikra keletkezhet, mely begyűjthetja a port vagy gázt.
- c. **Tartsa távol a gyerekeket.** Gondoskodjon arról, hogy gyereket, más személyek vagy állatok ne közelíthessék meg a munkaterületet, ne érinthessék meg a készüléket és a hálózati kábelt, továbbá elvonhatják figyelmét a készülék irányításáról.

2. Elektromos biztonság

- a. **A készülék csatlakozódugójának illeszkednie kell a dugaszoló aljzathoz. Soha ne változtasson a csatlakozódugón. Soha ne használjon semmilyen adaptert földelt készülékekkel.** Az eredeti csatlakozódugó és a megfelelő dugaszoló aljzat használatával jelentősen csökkenthető az elektromos áramütés kockázata.

- b. **Kerülje az érintkezést fémes részekkel (például csövek, radiátorok, tűzhelyek és hűtőszekrények).** Viseljen gumitalpú cipőt. Extrém munkakörülmények között (pl.: magas páratartalom, fémpor keletkezése esetén) az elektromos biztonság növelhető egy leválasztó transzformátor vagy hibaáram-védelmi kapcsoló előkapcsolásán keresztül
- c. **Legyen figyelemmel a környezeti behatásokra.** Ne hagyja szabadban a gépet, óvja az esőtől. Ne használja nyirkos, nedves környezetben.
- d. **Bánjon gondosan a kábellel. Soha ne a kábelnél fogva vigye a gépet, és kérjük, ne a kábelnél fogva húzza ki a csatlakozódugót a konnektorból. Tartsa távol a kábelt éles széléktől, védje olajtól és hőtől. Minden használat előtt ellenőrizze a kábel állapotát, és ne indítsa be a gépet, ha a kábel sérült.** Sérült vagy összetekeredett hálózati kábel használata jelentősen növelheti az elektromos áramütés kockázatát.
- e. **A szabadban kizárólag csak az arra jóváhagyott és jelöléssel ellátott hosszabbító kábelt szabad használni.** Használat előtt ellenőrizze a hosszabbító kábelt és cserélje le, ha sérült. Teljesítmény csökkenés nélkül max. 30m hosszú, kéteres Black & Decker hosszabbító kábelt használhat.
- f. **Ha elkerülhetetlen a készülék nedves környezetben való használata, használjon egy leválasztó transzformátort vagy hibaáram-védelmi kapcsolót.** Extrém munkakörülmények között (pl.: magas páratartalom, fémpor keletkezése esetén) az elektromos biztonság növelhető egy leválasztó transzformátor vagy hibaáram-védelmi kapcsoló előkapcsolásán keresztül

3. Személy védelem

- a. **Figyeljen munkájára. Figyeljen mindig arra, amit tesz. Használja az összes érzékszervét. Ne használja a készüléket, ha fáradt, vagy ha hallucinogén anyag, alkohol vagy gyógyszeres befolyásoltság alatt áll.** Elektromos kéziszerszám használatakor pillanatnyi figyelmetlenség is súlyos baleset előidézője lehet.
- b. **Viseljen védőfelszerelést. Mindig viseljen védőszemüveget.** Használjon arc vagy pormaszkot, ha az elvégzendő munka nagy porral, vagy lepattanó részekkel járhat.

- Valamint viseljen csúszásmentes lábbelit és védősisakot. Ügyeljen a hallásvédelemre is.
- c. Előzze meg a véletlenszerű bekapcsolást.** Győződjön meg róla, hogy az üzemi kapcsoló kikapcsolt állapotban van, mielőtt az áramforrásra és/vagy az akkumulátorra csatlakoztatja. Ne szállítsa a feszültség alatt lévő gépet újjával az üzemi kapcsolón, mivel ez súlyos baleset előidézője lehet.
- d. Ne hagyjon szerelőkulcsot a gépben.** A munka megkezdése előtt mindig ellenőrizze, hogy a szerelőszerszámot (kulcsot) eltávolította-e a készülékből.
- e. Álljon biztonságosan. Kerülje a rendellenes testtartást, és egyensúlyát soha ne veszítse el munkavégzés közben.** Így jobban irányíthatja a készüléket, még váratlan helyzetekben is.
- f. Viseljen megfelelő munkaruházatot. Szabadban viseljen gumikesztyűt és csúszásmentes lábbelit. Ne hordjon ékszer vagy laza ruházatot munkavégzés közben. Tartsa távol hosszú haját, ruházatát és munkakesztyűjét a mozgó részekről.** A laza ruházat, ékszerek vagy hosszú haj beakadhatnak a mozgó részekbe. Hosszú haj esetében használjon sapkát, hogy ne zavarja a munkában.
- g. Ha a készüléken megtalálható a porelszívási lehetőség, vagy a porzsák, úgy ügyeljen arra, hogy megfelelően csatlakoztassa és használja ezeket munka közben.** Porelszívó berendezés használatával nagymértékben csökkenthetőek a por okozta veszélyek.
- 4. Az elektromos kéziszerszám használata és ápolása**
- a. Mindig a megfelelő szerszámot használja. Ne erőltesse a kéziszerszámot.** A készülék rendeltetésszerű használatáról korábban már említést tettünk. Ne erőltesse túl a kisebb teljesítményű készülékeket, vagy tartozékokat, nagyobb teljesítményt igénylő munkánál. A termékkel jobban és biztonságosabban elvégezheti a munkát, hogy ha a teljesítmény kategóriájának megfelelően használja. **Figyelem!** Az Ön biztonsága érdekében csak olyan tartozékokat, illetve kiegészítő berendezést használjon, melyet a kezelési utasítás ajánl.
- b. Ne használja a gépet, ha a kapcsoló nem működőképes.** Bármely kéziszerszám használata, amely nem irányítható megfelelően az üzemi kapcsolóval, nagyon veszélyes, ezért azonnal meg kell javíttatni a kapcsolót, ha sérült vagy nem működőképes.
- c. Mindig áramtalanítsa a készüléket, illetve válassza le az akkumulátort, ha nem használja azt; mielőtt változtatna a gép bármely beállításán; tartozékokat vagy feltétet cserél; valamint a termék átvizsgálása előtt.** Így csökkenthető a készülék véletlenszerű beindításának lehetősége.
- d. Ügyeljen a készülék megfelelő tárolására. Ha nem használja a készüléket, tartsa száraz, gyermekek elől gondosan elzárt helyen.** Az elektromos kéziszerszámok használata veszélyes lehet nem képzett felhasználó esetén.
- e. Ellenőrizze a készülék állapotát. Használat előtt mindig ellenőrizze a készüléket és a hálózati kábelt. Vizsgálja meg, hogy a mozgó részek megfelelően működnek, nincsenek akadályoztatva. Ellenőrizze a részegységeket, olajozásukat, esetleg előforduló töréseit, a kézvédő vagy a kapcsoló sérüléseit és minden olyan rendellenességet, ami befolyásolhatja a készülék használatát.** Bizonyosodjon meg róla, hogy a készülék megfelelően működik, és a kategóriájával egyenértékű teljesítményt biztosít. Ne használja a gépet, ha valamelyik alkatrésze sérült. A sérült vagy hibás alkatrészek javítását vagy cseréjét csak a kijelölt szakszervizek végezhetik. Soha ne kísérelje meg a javítást Önállóan, a sérült részeket és védőberendezéseket előírás szerint kell javíttatni vagy cseréltetni.
- f. A vágóéleket tartsa élesen és tisztán a jobb és biztonságosabb munkavégzés érdekében.** Kövesse a karbantartásra és tartozékcsereire vonatkozó előírásokat. Tartsa a fogantyúkat és kapcsolókat szárazon, tisztán és olajtól, zsírtól mentesen.
- g. Rögzítse a munkadarabot. Használjon satut vagy más leszorító eszközt a munkadarab rögzítésére.** Így biztonságossá válik a munkavégzés, és mindkét keze szabadon marad a gép irányítására.
- 5. Javítás**
- a. Ez a kéziszerszám megfelel a vonatkozó biztonsági előírásoknak. Javítást csak szakszerviz végezhet, és csak eredeti gyári alkatrészeket szabad felhasználni.**

A szakszerűtlen javítás súlyos baleset előidézője lehet.

Kiegészítő biztonságtechnikai előírások késziszerszámokhoz



Figyelem! Kiegészítő biztonságtechnikai előírások fúrókhoz és fúrókalapácsokhoz.

- ◆ **Viseljen hallásvédőt.** A magas zajszint halláskárosodáshoz vezethet.
- ◆ **Mindig használja a készülékkel szállított pótfogantyút.** A készülék feletti irányítás elvesztése, súlyos baleset előidézője lehet.
- ◆ **A készüléket csak a szigetelt markolati felületen tartsa, ha olyan munkát végez, ahol a befogott tartozék rejtett vezetékkel vagy saját hálózati kábelével érintkezhet.** Élő vezetékkel való találkozás a készülék fém részeit is élővé, vezetővé teszi, és így elektromos áramütés veszélyét jelenti a felhasználó számára.
- ◆ Soha ne használjon vésőszárat fúrás vagy fúrókalapálás üzemmódban. A vésőszár rögzül az anyagban és megforgatja a készüléket.
- ◆ Használjon leszorító eszközt vagy satut a munkadarab biztosításához, illetve megtámasztásához. Az irányítás elvesztéséhez vezethet, és személyi sérülést okozhat, ha a munkadarabot a kezében tartja, vagy testéhez támasztja.
- ◆ Mielőtt fúrási munkálatba kezdene falazatba, padlózatba, vagy tetőzetbe, mindig ellenőrizze a vezetékek és csövek elhelyezkedését.
- ◆ Soha ne érintse meg a fúrószár hegyét azonnal a munka befejezése után, mivel ez forró lehet.
- ◆ A készülék rendeltetésszerű használatát már korábban körül írtuk. Ne erőltesse túl a kisebb teljesítményű készülékeket, vagy tartozékokat, nagyobb teljesítményt igénylő munkánál. A termékkel jobban és biztonságosabban elvégezheti a munkát, hogy ha a teljesítmény kategóriájának megfelelően használja. Ne erőltesse a szerszámot. Az Ön biztonsága érdekében csak olyan tartozékokat, illetve kiegészítő berendezést használjon, melyet a kezelési utasítás ajánl.

Mások biztonsága

- ◆ A készüléket nem korlátozott fizikai, érzékelési, mentális képességekkel rendelkező vagy gyakorlatlan személyek (beleértve a gyermekeket is) számára tervezték; kivétel ha számukra a szerszám használatához

a biztonságukért felelős személy felügyeletet és tájékoztatást biztosít.

- ◆ A gyerekeket felügyelni kell, nehogy játszanak a szerszámmal.

Vibráció

A megállapított vibráció emisszió érték a standard teszt módszer szerint EN60745 szabvány szerint van mérve, és egy másik készülékkel való összehasonlításra szolgál. A megállapított vibráció emisszió érték, szintén használható a kitétségek előzetes megbecslésére.

Figyelem! A vibráció emisszió érték a készülék használatakor eltérhet a megállapított értéktől a készülék használatának módjától függően. A vibráció érték az itt megállapított szint fölé emelkedhet.

A keletkező vibrációs mérték meghatározása: a 2002/44/EC szabvány szerint adott a biztonságos érték, azonban azok védelmében, akik rendszeresen használják a készüléket, egy becsült érték figyelembe vétele szükséges, mely számításba veszi a kitétségek időintervallumát, a munkaterület karakterisztikáját, a készülék használati módját, beleértve részegységek működési ciklusát, mint pl. a készülék be- és kikapcsolása a kapcsolóra gyakorolt hatása.

Figyelmeztető szimbólumok a készüléken



Figyelem! Sérülésveszély csökkentéséhez, figyelmesen olvassa el a kezelési útmutatót a készülék üzembe helyezése előtt.

Elektromos biztonság



Ez a készülék kettősszigetelésű, ezért a földelés nem szükséges. Mindig ellenőrizze, hogy a hálózati feszültség megfelel-e a gép adattábláján feltüntetettnek!

- ◆ Ha a hálózati kábel sérült, azonnal cseréltesse le egy Black & Decker szakszervizben.

Leírás

A készülék a következő jellemzőkkel rendelkezhet:

1. Fordulatszám-szabályozós üzemi kapcsoló
2. Tartósüzem rögzítőgomb
3. Forgásirányváltó kapcsoló
4. Fordulatszám előválasztó kerék
5. Üzemmód választó
6. Szerszámbefogó
7. Pótfogantyú
8. Mélységütköző

Összeszerelés

Figyelem! Mielőtt elkezdí a gép összeszerelését, győződjön meg arról, hogy a hálózati csatlakozó le van választva az áramforrásról, és a készülék ki van kapcsolva.

A pótfogantyú és a mélységütköző felszerelése (A ábra)

- ◆ Forgassa a markolatot az óramutató járásával ellentétes irányba, amíg rá tudja csúsztatni a pótfogantyút (7) a készülék elejére, az ábra szerint.
- ◆ Fordítsa a fogantyút a kívánt pozícióba.
- ◆ Csúsztassa be a mélységütközőt (8) a helyére az ábra szerint.
- ◆ Állítsa be a mélységütközőt a kívánt pozícióba. A maximális fűrásmélység megegyezik a fűrószár hegye és a mélységütköző elülső vége közötti távolsággal.
- ◆ A markolat óramutató járásával megegyező irányba való forgatásával szorítsa rá a fogantyút a gépre.

Tartozék behelyezése a szerszámbe fogóba (B ábra)

- ◆ Tisztítsa és kenje meg a tartozék szárát (9).
- ◆ Húzza hátra a perselyt (10) és helyezze be a szárát a szerszámbe fogóba (6).
- ◆ Nyomja a tartozékot befelé, és óvatosan forgassa addig, amíg a helyére illeszkedik.
- ◆ Ellenőrizze, hogy tökéletesen illeszkedik-e a tartozék, ehhez próbálja meg kihúzni a be fogóból. Fúrókalapács üzemmódban a tartozéknak tengelyirányban többcentiméternyi mozgástere van, amikor a be fogóba illeszkedik.
- ◆ A tartozék eltávolításához húzza hátra a perselyt (10), és húzza ki a tartozékot a be fogóból.

KD985/KD990 - A fogaskoszorús tokmány felhelyezése (C ábra)

- ◆ Helyezze a szerszámbe fogóba a tokmány (12) szárát (11) a fentiek szerint.

Figyelem! Soha ne használjon fogaskoszorús tokmányt fúrókalapács üzemmódban.

KD985/KD990 - Tartozék behelyezése a fogaskoszorús tokmányba (D ábra)

- ◆ Forgassa a perselyt (13) addig, amíg a tokmány kinyílik.
- ◆ Helyezze be a fűrószárát (14) a tokmányba.
- ◆ Illessze be a tokmánykulcsot (15) a tokmány oldalán található lyukakba (16) és szorosra húzza meg.

Maradványkockázat

További maradványkockázatok is fennállhatnak, amelyek esetlegesen kimaradtak a mellékelt biztonsági figyelmeztetések közül. Ezek a kockázatok a szerszám rendeltetésétől eltérő, illetve huzamos használatából, stb. adódhatnak. A vonatkozó biztonsági előírások alkalmazása, és a védőeszközök használata ellenére bizonyos maradványkockázatok nem lehet elkerülni. Ilyenek például a következők:

- ◆ **A forgó/mozgó alkatrészek megérintése által okozott sérülés.**
- ◆ **Az alkatrészek vágólapok, tartozékok cseréje által okozott sérülés.**
- ◆ **A szerszám huzamos használata által okozott egészségkárosodás. Ha bármely szerszámot huzamosabb ideig használja, tartson rendszeresen szüneteket a munkában.**
- ◆ **Halláskárosodás**
- ◆ **A szerszámhasználat közben keletkező por belégzése által okozott egészségkockázat (például: - famunkák, különösen tölgy, bükk és MDF lapok.)**

A készülék használata

Figyelem! Hagyja a készüléket a saját ütemében dolgozni. Ne terhelje túl.

Figyelem! Mielőtt fűrási munkálatba kezdene, mindig ellenőrizze a vezetékek és csövek elhelyezkedését.

Üzem mód kiválasztása (E ábra)

A készülék három üzemmódban működtethető. Forgassa az üzemmód választót (5) a kívánt pozícióba a szimbólumok szerint:

Fúrás

- ◆ Fém, fa és műanyagok fűrásához és csavarozáshoz állítsa az üzemmód választót (5) **F** pozícióba.
- ◆ Csavarozáskor alacsony sebességgel indítson. Csavarok kíméletes kihajtása érdekében, a gép automatikusan csökkenti a balra forgás sebességét.

Ütvefúrás

- ◆ Kőzet és beton ütvefűrásához állítsa az üzemmód választót (5) **T** pozícióba.
- ◆ Ha ütvefúr a készülék nem üt vissza, hanem nyugodtan fut. Ha szükséges, emelje a sebességét.

Fúrókalapálás

- ◆ Tengelyrögzítéssel történő kalapálás, és könnyebb vésési munkálatokhoz állítsa az üzemmód választót (5) T pozícióba.
- ◆ Állítsa a forgásirányváltó kapcsolót jobb-forgásirányba.
- ◆ Illessze a vésőt a szerszámbefogóba. Ha ellenállást tapasztal, kicsit forgassa el a vésőt, hogy a tengelyrögzítő bekattanjon.

Forgásirány kiválasztása

Fúráshoz, csavarok behajtásához és véséshez jobb forgásirányt használjon. Csavarok kihajtásához, vagy megszorult fúrószárak kilazításához bal forgásirányt használjon.

- ◆ Jobb-forgásirányhoz tolja a forgásirányváltó kapcsolót (3) bal oldali pozícióba.
- ◆ Bal-forgásirányhoz tolja a forgásirányváltó kapcsolót (3) jobb oldali pozícióba.

Figyelem! Soha ne váltson forgásirányt járó motorú készüléken.

Fúrásmélység beállítása (F ábra)

- ◆ Lazítsa meg a pótfogantyút (7) a markolat óramutató járásával ellentétes irányba való forgatásával.
- ◆ Állítsa be a mélységütközőt (8) a kívánt pozícióba. A maximális fúrásmélység megegyezik a fúrószár hegye és a mélységütköző elülső vége közötti távolsággal.
- ◆ A markolat óramutató járásával megegyező irányba való forgatásával szorítsa rá a fogantyút a gépre.

A készülék be- és kikapcsolása

- ◆ A gép beindításához nyomja be a fordulatszám-szabályozós üzemi kapcsolót (1). A kapcsoló behúzásának mértékével arányosan nő a fordulatszám. Állítsa a fordulatszám előválasztó kereket (4) a kívánt sebesség tartományhoz.
- ◆ Az 1 .. 6-os fokozatokat csak rövid ideig használja.
- ◆ Általánosan elmondható, hogy nagy átmérőjű furatok készítéséhez alacsonyabb, kisebb átmérőjű furatok készítéséhez pedig magasabb fordulatszám szükséges.
- ◆ A folyamatos működéshez nyomja be a tartósüzem rögzítőgombot (2) és engedje el az üzemi kapcsolót. Ez az opció csak jobb-forgásiránynál működik.
- ◆ A készülék kikapcsolásához engedje el a fordulatszám-szabályozós üzemi kapcsolót.

Ha tartósüzem használat közben kívánja a készüléket kikapcsolni, nyomja meg még egyszer a fordulatszám-szabályozós kapcsolót, majd engedje el.

Tartozékok

A készülék teljesítménye nagymértékben függ a felhasznált tartozékoktól. A Black & Decker és Piranha tartozékokat magas minőség standardnak megfelelően gyártjuk, tervezésükkor a készülék teljesítményének optimalizálása volt a fő cél. A legjobb teljesítményt a fenti tartozékok felhasználásával érheti el.

Karbantartás

Az Ön hálózati/ akkumulátoros Black & Decker készülékét/szerszámát minimális karbantartás melletti hosszú távú felhasználásra terveztük. A folyamatos kielégítő működés feltétele a megfelelő gondozás és rendszeres tisztítás.

Figyelmeztetés! A hálózati/ akkumulátoros készülék karbantartása előtt:

- ◆ Kapcsolja ki és húzza ki a konnektorból a gépet.
- ◆ Vagy kapcsolja ki és vegye le az akkumulátort róla, ha az különálló akkumulátorral működik.
- ◆ Vagy hagyja teljesen lemerülni az akkumulátort, ha az a géppel egybe van építve, majd ezután kapcsolja ki.
- ◆ Az akkumulátortöltőt tisztítás előtt csatlakoztassa le a hálózatról. A töltő a rendszeres tisztításon kívül nem igényel más karbantartást.
- ◆ Puha kefével vagy száraz törőkendővel rendszeresen tisztítsa meg a gép/töltő szellőzőnyílásait.
- ◆ A motorburkolatot nedves ruhával tisztíthatja. Ne használjon súrolószert vagy oldószer alapú tisztítószereket.
- ◆ Rendszeresen nyissa ki a tokmányt (ha van rajta) és ütögesse meg, hogy a belsejéből kihulljon a por.

Környezetvédelem



Elkülönített begyűjtés. Ezt a készüléket el kell különíteni a normál háztartási hulladéktól.

Egy napon, mikor készüléke eléri technikai élettartamának végét, vagy nincs további szüksége rá, gondoljon a környezetvédelemre. A terméket a normál háztartási hulladéktól elkülönítve kell megsemmisíteni.



Az elhasznált termékek és csomagolások elkülönített begyűjtése lehetővé teszi, ezek újrahasznosítását. Újrahasznosított vagy újra feldolgozott anyagok segítségével a környezetszennyezés, illetve a nyersanyagok iránti igény nagymértékben csökkenthető.

A helyi előírások rendelkezhetnek az elektromos készülékek háztartási hulladéktól elkülönített begyűjtéséről, helyhatósági hulladéklerakó helyeken vagy a kereskedők által új termék megvásárlásakor.

Black & Decker termékeire az élettartamuk lejártával visszavételi lehetőséget kínál. Ez a szolgáltatás ingyenes. Ha igénybe veszi ezt a szolgáltatást, kérjük, juttassa el készülékét a legközelebbi Black & Decker szervizbe, melyekről a Magyarországi Képviseletnél érdeklődhet.

A szervizzel kapcsolatban a következő Internet oldalon is felvilágosítást kaphat: www.2helpU.com.

Műszaki adatok

		KD975 TÍPUS 3	KD985 TÍPUS 3	KD990 TÍPUS 3
Feszültség	V _{AC}	230	230	230
Felvett teljesítmény	W	710	800	850
Üresjárat				
fordulatszám	min ⁻¹	0-980	0-980	0-980
Ütésszám	min ⁻¹	0-5180	0-5180	0-5180
Ütőenergia	J	1,8	2,2	2,4
Maximális fűrés kapacitás				
Beton	mm	22	24	26
Fém	mm	13	13	13
Fa	mm	30	30	30
Súly	kg	3,4	3,4	3,4

Hangnyomásszint EN60745 szerint:

Hangnyomásszint (L_{pA}) 96 dB(A), Toleranciafaktor (K) 3 dB(A), Hangteljesítmény szint (L_{WA}) 107 dB(A), Toleranciafaktor (K) 3 dB(A)

Súlyozott effektív rezegégyorsulás EN 60745 szerint mérve:

Fúróalapálás betonba ($a_{h,HD}$) 14,9 m/s², toleranciafaktor (K) 1,5 m/s², Vésés ($a_{h,Cheq}$) 9,0 m/s², toleranciafaktor (K) 1,5 m/s²

CE megfelelési nyilatkozat GÉPI BERENDEZÉSEKRE VONATKOZÓ IRÁNYELV



KD975/KD980/KD990

Black & Decker kinyilvánítja, hogy a "Műszaki adatok" részben ismertetett termékek megfelelnek a következő irányelveknek és szabványoknak: 2006/42/EC, EN 60745-1, EN 60745-2-6.

Ezek a termékek a 2004/108/EK és a 2011/65/EU irányelveknek is megfelelnek. Ha további információra lenne szüksége, lépjen kapcsolatba Black & Decker vállalattal a következőkben megadott elérhetőségeken, ill. lásd az elérhetőségeket a kézikönyv hátoldalán.

Az aláírás tulajdonosa a műszaki adatok összeállításáért felelős személy; nyilatkozatát a Black & Decker vállalat nevében adja.

Kevin Hewitt
Alelnök, Global Engineering
Black & Decker Europe,
210 Bath Road, Slough,
Berkshire, SL1 3YD
Egyesült Királyság
30/06/2014

Az Önhöz legközelebb eső hivatalos márkaszervizt a kézikönyvben megadott helyi Black & Decker képviselő segítségével érheti el. Alternatív megoldásként a szerződött Black & Decker szervizek listája, illetve az eladásutáni szolgáltatásaink és ezek elérhetőségének részletes ismertetése a következő internetes címen érhető el: www.2helpU.com.

Kérjük, látogassa meg a www.blackanddecker.hu weboldalunkat, hogy regisztrálja az új Black & Decker termékét, ill. hogy megismerje az új termékeinkkel és egyedi ajánlatainkkal kapcsolatos legújabb híreinket. A Black & Decker márkával és termékválasztékunkkal kapcsolatos további tájékoztatást a www.blackanddecker.hu internetes címen találhat.

Przeznaczenie

Opisywana wiertarka udarowa Black & Decker przeznaczona jest do wiercenia w drewnie, metalach, tworzywach sztucznych i murach oraz do wkręcania wkrętów i lekkich prac związanych z dłutowaniem. Narzędzie przeznaczone jest wyłącznie do użytku amatorskiego.

Zasady bezpiecznej pracy

Ogólne wskazówki dotyczące bezpiecznego użytkowania elektronarzędzi



Uwaga! Należy zapoznać się ze wszystkimi ostrzeżeniami dotyczącymi bezpiecznej pracy oraz z instrukcją obsługi. Nie stosowanie się do poniższych ostrzeżeń i instrukcji, może być przyczyną porażenia prądem elektrycznym, pożaru i/lub uszkodzenia ciała.

Zachowaj wszystkie instrukcje i informacje dotyczące bezpiecznej pracy, aby móc korzystać z nich w przyszłości.

Określenie "elektronarzędzie", używane we wszystkich poniższych ostrzeżeniach, dotyczy zarówno elektronarzędzi zasilanych sieciowo (przewodem zasilającym), jak i elektronarzędzi zasilanych akumulatorowo (bezp przewodowych).

1. Bezpieczeństwo w miejscu pracy

- a. **Utrzymuj miejsce pracy w czystości i dbaj o dobre oświetlenie.** Nieporządek i niedostateczne oświetlenie sprzyjają wypadkom.
 - b. **Nie wolno używać elektronarzędzi w strefach zagrożenia wybuchem, w pobliżu palnych płynów, gazów lub pyłów.** W trakcie pracy elektronarzędzi powstają iskry, które mogą spowodować zapłon pyłów lub oparów.
 - c. **W czasie pracy elektronarzędziami nie pozwalaj na przebywanie w pobliżu dzieci i innych osób postronnych.** Brak skupienia może spowodować utratę kontroli nad narzędziem.
- #### 2. Ochrona przed porażeniem prądem elektrycznym
- a. **Gniazdo musi być dostosowane do wtyczki elektronarzędzia. Nie wolno dokonywać przeróbek wtyczki. Nie wolno używać przejściówek do zasilania uziemionych elektronarzędzi.** Używanie nie przerobionych wtyczek i odpowiednich gniazd zmniejsza ryzyko porażenia prądem elektrycznym.

- b. **Unikaj bezpośredniej styczności z powierzchniami uziemionymi lub zerowanymi (np. rurociągami, kaloryferami, kuchenkami i urządzeniami chłodniczymi).** Ryzyko porażenia prądem elektrycznym wzrasta, jeśli twoje ciało jest zerowane lub uziemione.
 - c. **Nie narażaj elektronarzędzi na działanie deszczu lub zwiększonej wilgotności.** Dostanie się wody do wnętrza elektronarzędzia zwiększa ryzyko porażenia prądem elektrycznym.
 - d. **Nie wolno ciągnąć za przewód zasilający. Nie podnoś, nie ciągnij i nie wyciągaj z gniazda wtyczki, poprzez ciągnięcie za przewód zasilający elektronarzędzia. Chronź przewód zasilający przed kontaktem z gorącymi elementami, olejami, ostrymi krawędziami i ruchomymi częściami.** Uszkodzenie lub zaplątanie przewodu zasilającego zwiększa ryzyko porażenia prądem elektrycznym.
 - e. **Do pracy poza pomieszczeniami zamkniętymi, należy używać przedłużacza przystosowanego do użycia na dworze.** Korzystanie z przedłużaczy przystosowanych do użycia na dworze, zmniejsza ryzyko porażenia prądem.
 - f. **W przypadku konieczności pracy w wilgotnym otoczeniu, należy używać źródła zasilania zabezpieczonego wyłącznikiem różnicowoprądowym (RDC).** Używanie wyłączników różnicowoprądowych zmniejsza ryzyko porażenia prądem elektrycznym.
- #### 3. Środki ochrony osobistej
- a. **W czasie pracy elektronarzędziem zachowaj czujność, patrz uważnie i kieruj się zdrowym rozsądkiem. Nie używaj elektronarzędzi, gdy jesteś zmęczony lub pod wpływem alkoholu, narkotyków czy leków.** Nawet chwila nieuwagi, w czasie pracy elektronarzędziem, może doprowadzić do poważnego uszkodzenia ciała.
 - b. **Używaj środków ochrony osobistej. Zawsze zakładaj okulary ochronne.** Środki ochrony osobistej, takie jak maska przeciwpyłowa, obuwie antypoślizgowe, kask oraz ochrona słuchu, stosowane w zależności od sytuacji, chronią przed obrażeniami.
 - c. **Zapobiegaj przypadkowemu włączeniu. Przed podłączeniem do zasilania i/**

lub włożeniem akumulatora oraz przenoszeniem narzędzia, upewnij się, że wyłącznik jest w pozycji "wyłączone". Trzymanie palca na wyłączniku w czasie przenoszenia lub podłączania do zasilania jest bardzo niebezpieczne.

- d. **Przed włączeniem elektronarzędzia należy usunąć wszystkie klucze i narzędzia do regulacji.** Pozostawienie klucza lub narzędzia do regulacji przyłączonego do części wirującej elektronarzędzia, może być bardzo niebezpieczne i spowodować obrażenia.
- e. **Nie wychylaj się. Nie wychylaj się i przyjmij stabilną pozycję, aby zawsze zachowywać równowagę.** Umożliwia to lepszą kontrolę pracy elektronarzędzia w nagłych sytuacjach.
- f. **Załóż odpowiedni strój. Nie noś luźnego ubrania ani biżuterii. Trzymaj włosy, ubranie i rękawice z dala od ruchomych części.** Luźne ubranie, biżuteria lub długie włosy mogą zostać pochwycone przez ruchome części.
- g. **Jeśli sprzęt jest przystosowany do przyłączenia urządzeń odprowadzających i zbierających pył, upewnij się, czy są one przyłączone i właściwie użytkowane.** Użycie takich urządzeń może zmniejszyć zagrożenia związane z obecnością pyłów.

4. Obsługa i konserwacja elektronarzędzi

- a. **Nie wolno przeciążać elektronarzędzi. Należy używać elektronarzędzi odpowiednich dla danych zastosowań.** Właściwie dobrane elektronarzędzie pozwoli na wykonanie pracy lepiej i w sposób bezpieczny, w tempie, do jakiego jest przystosowane.
- b. **Nie wolno używać elektronarzędzia z zepsutym wyłącznikiem, który nie pozwala na sprawne włączenie i wyłączenie.** Elektronarzędzie, którego pracy nie można kontrolować wyłącznikiem, jest niebezpieczne i musi zostać naprawione.
- c. **Przed przystąpieniem do regulacji, wymiany akcesoriów oraz przed schowaniem elektronarzędzia, należy odłączyć wtyczkę od źródła zasilania i/ lub odłączyć akumulator od urządzenia.** Stosowanie takich środków zapobiegawczych zwiększa bezpieczeństwo i zmniejsza ryzyko przypadkowego uruchomienia elektronarzędzia.
- d. **Nie używane elektronarzędzie przechowuj poza zasięgiem dzieci i nie dopuszczaj osób nie znających elektronarzędzia**

lub tej instrukcji do posługiwania się elektronarzędziem. Elektronarzędzia obsługiwane przez osoby nieprzygotowane stanowią zagrożenie.

- e. **Regularnie dokonuj konserwacji elektronarzędzi. Sprawdź, czy ruchome części są właściwie połączone i zamocowane, czy części nie są uszkodzone oraz skontroluj wszelkie inne elementy mogące mieć wpływ na pracę elektronarzędzia. Wszelkie uszkodzenia należy naprawić przed rozpoczęciem pracy.** Wiele wypadków spowodowanych jest przez niedostateczną konserwację elektronarzędzi.
 - f. **Dbaj o czystość narzędzi i ostrość elementów tnących.** Zadbane narzędzia tnące, z ostrymi krawędziami tnącymi, rzadziej się zacinają i są łatwiejsze w prowadzeniu.
 - g. **Elektronarzędzia, akcesoriów, końcówek itp. należy używać zgodnie z instrukcją, uwzględniając warunki i rodzaj wykonywanej pracy.** Używanie elektronarzędzi niezgodnie z przeznaczeniem może być bardzo niebezpieczne.
- #### 5. Naprawy
- a. **Powierzaj naprawy elektronarzędzi wyłącznie osobom wykwalifikowanym, używającym identycznych części zamiennych.** Zapewni to bezpieczeństwo użytkownika naprawionego urządzenia.

Bezpieczne użytkowanie elektronarzędzi - wskazówki dodatkowe



Uwaga! Dodatkowe wskazówki dotyczące bezpiecznej pracy młotowiertarkami

- ♦ **Zakładaj ochronę słuchu.** Ekspozycja na hałas może powodować utratę słuchu.
- ♦ **Używaj, dostarczonych razem z narzędziem, dodatkowych uchwytów.** Utrata kontroli nad narzędziem może spowodować uszkodzenie ciała.
- ♦ **W czasie wiercenia w miejscach, gdzie możliwe jest natrafienie na ukryte przewody lub kontakt z własnym przewodem zasilającym, należy trzymać elektronarzędzie wyłącznie za izolowane uchwyty.** Natrafienie na przewód z prądem może spowodować pojawienie się napięcia na metalowych elementach obudowy elektronarzędzia i porażenie prądem użytkownika.

- ◆ Nie wolno używać płaskiego dłuta, gdy młot włączony jest w trybie pracy wiertarki. Końcówka może zaklinować się w materiale i obrócić młot.
- ◆ Używaj zacisków lub innego wygodnego sposobu unieruchomienia i podparcia obrabianego elementu. Trzymanie ręką lub opieranie o własne ciało nie daje dostatecznej stabilizacji i może być przyczyną utraty kontroli.
- ◆ Przed rozpoczęciem wiercenia w ścianach, podłodze czy suficie, ustal położenie przewodów i rur.
- ◆ Nie dotykaj wiertła bezpośrednio po zakończeniu wiercenia, ponieważ może być ono bardzo rozgrzane.
- ◆ Przeznaczenie urządzenia opisane jest w niniejszej instrukcji obsługi. Używanie jakichkolwiek akcesoriów lub wykonywanie prac sprzecznych z przeznaczeniem opisywanym w instrukcji obsługi, może powodować niebezpieczeństwo uszkodzenia ciała i/lub uszkodzenia mienia.

Bezpieczeństwo osób postronnych

- ◆ Opisywane urządzenie nie jest przeznaczone do użycia przez osoby o obniżonych możliwościach fizycznych, ruchowych lub umysłowych (także dzieci) lub o zbyt małej wiedzy i doświadczeniu, jeśli nie zostały one przeszkolone lub nie pozostają pod opieką osoby odpowiedzialnej za ich bezpieczeństwo.
- ◆ Należy pilnować dzieci, aby nie bawiły się urządzeniem.

Drgania

Podawana w tabeli danych technicznych oraz w deklaracji zgodności z normami wartość drgań (wibracji), została zmierzona zgodnie ze standardową procedurą zawartą w normie EN 60745. Informacja ta może służyć do porównywania tego narzędzia z innymi. Deklarowana wartość emitowanych drgań może również służyć do przewidywania stopnia narażenia użytkownika na wibracje.

Uwaga! Chwilowa siła drgań, występująca w czasie pracy elektronarzędziem, może odbiegać od podawanych wartości, w zależności od sposobu użytkownika urządzenia. Poziom wibracji może przekroczyć podawaną wartość.

Przy określaniu ekspozycji na wibracje, w celu podjęcia środków ochrony osób zawodowo użytkujących elektronarzędzia, zgodnie z normą

2002/44/EC, należy uwzględnić rzeczywiste warunki i rodzaj wykonywanej pracy. Także okresy przestoju i pracy bez obciążenia.

Symbole na urządzeniu

Na obudowie narzędzia umieszczono następujące piktogramy:



Uwaga! Aby zminimalizować ryzyko zranienia, użytkownik musi zapoznać się z instrukcją obsługi.

Ochrona przed porażeniem prądem elektrycznym



Opisywane elektronarzędzie jest podwójnie izolowane; dlatego nie ma konieczności stosowania dodatkowego uziemienia. Należy zawsze upewniać się, czy napięcie zasilania zgodne jest z wartością podaną na tabliczce znamionowej.

- ◆ Ze względów bezpieczeństwa, wymiany uszkodzonego przewodu zasilającego powinien dokonać producent lub Autoryzowany Serwis Black & Decker.

Wyposażenie

Opisywane narzędzie wyposażone jest w kilka lub wszystkie z poniższych elementów.

1. Wyłącznik z regulacją prędkości obrotowej
2. Przycisk blokady wyłącznika
3. Przełącznik obrotów lewych/prawych
4. Gałka regulacji prędkości obrotowej
5. Przełącznik trybu pracy
6. Uchwyt wiertarski
7. Dodatkowa rękojeść
8. Ogranicznik głębokości wiercenia

Montaż

Uwaga! Przed rozpoczęciem montażu upewnić się, czy narzędzie jest wyłączone i wtyczka zasilająca jest odłączona.

Montaż uchwytu dodatkowego i ogranicznika głębokości wiercenia (Rys. A)

- ◆ Obracać zacisk przeciwnie do wskazówek zegara aż do momentu, gdy możliwe będzie nasadzenie uchwytu (7) na przednią część wiertarki, jak na rysunku.
- ◆ Ustawić rękojeść w żądanej pozycji.
- ◆ Wsunąć ogranicznik głębokości wiercenia (8) do otworu, jak na rysunku.
- ◆ Ustawić ogranicznik głębokości wiercenia w żądanej pozycji. Maksymalna głębokość wiercenia jest równa odległości pomiędzy czubkiem końcówki wiertła a przednim końcem

- ♦ ogranicznika głębokości wiercenia.
- ♦ Zamocować dodatkową rękojęść obracając uchwyt zgodnie z ruchem wskazówek zegara.

Montaż końcówek (Rys. B)

- ♦ Wyczyścić i natłuścić trzonek (9) końcówki.
- ♦ Cofnąć pierścien (10) i wsunąć trzonek do uchwyty SDS-Plus (6).
- ♦ Wcisnąć i lekko obrócić, aż do właściwego zamocowania.
- ♦ Pociągając sprawdzić, czy końcówka jest dobrze zamontowana. W przypadku użycia funkcji udaru, konieczne jest, aby końcówka mogła po zamontowaniu w uchwycie przesunąć się kilka centymetrów wzdłuż osi.
- ♦ Aby wyjąć końcówkę, należy odciągnąć pierścien (10) i wyciągnąć końcówkę.

KD985/KD990 - Montaż uchwytu kluczykowego (Rys. C)

- ♦ Zamontować trzonek (11) załączonego uchwytu (12) w uchwycie SDS-Plus, postępując zgodnie z powyższym opisem.

Uwaga! Nie wolno używać uchwytów wiertarskich zaciskanych kluczem do wiercenia z udarem.

KD985/KD990 - Montaż osprzętu w uchwycie kluczykowym (Rys. D)

- ♦ Rozkręcić uchwyt poprzez obracanie pierścienia (13).
- ♦ Wsunąć trzonek wiertła (14) w uchwyt.
- ♦ Wsunąć klucz wiertarski (15) kolejno w każdy otwór (16) z boku uchwytu i dokręcając zacisnąć.

Pozostałe zagrożenia.

W czasie pracy elektronarzędziem mogą powstać zagrożenia, które nie zostały uwzględnione w załączonej instrukcji dotyczącej bezpiecznego użytkowania. Zagrożenia te mogą wynikać z niewłaściwego użytkowania, zbyt intensywnej eksploatacji lub tp.

Nawet w przypadku przestrzegania zasad bezpiecznej pracy i stosowania środków ochronnych, nie jest możliwe uniknięcie pewnych zagrożeń. Należą do nich:

- ♦ **Zranienia wynikające z dotknięcia wirujących / ruchomych elementów.**
- ♦ **Zranienia w czasie wymiany części, ostrzy lub akcesoriów.**
- ♦ **Zranienia związane ze zbyt długotrwałym użytkowaniem narzędzia. Pracując przez dłuższy czas, należy robić regularne przerwy.**

- ♦ **Uszkodzenie słuchu.**
- ♦ **Uszczerbek na zdrowiu związany z wdychaniem pyłów powstających w czasie pracy narzędziem (np. w czasie obróbki drewna, szczególnie dębu, buku i MDF).**

Eksploatacja

Uwaga! Pozwól narzędzi pracować we własnym tempie. Nie przeciążaj narzędzia.

Uwaga! Przed rozpoczęciem wiercenia w ścianach, podłodze czy suficie, ustal położenie przewodów i rur.

Wybór trybu pracy (Rys. E)

Narzędzie może pracować w trzech trybach pracy. Ustawić przełącznik trybu pracy (5) w wymaganej pozycji, zgodnie z oznaczeniami.

Wiercenie

- ♦ Aby wiercić w stali, drewnie i tworzywach sztucznych oraz wkręcać wkręty, należy ustawić przełącznik trybu pracy (5) w pozycji **1**.
- ♦ Wkręcanie śrub należy rozpoczynać powoli. W przypadku wykrcania śrub prędkość obrotowa jest ograniczana automatycznie.

Wiercenie z udarem

- ♦ Aby wiercić z udarem w murach i betonie ustaw przełącznik trybu pracy (5) w pozycji **T1**.
- ♦ Przy pracy z udarem narzędzie powinno pracować spokojnie i nie wpadać w drgania. Jeśli to konieczne, należy zwiększyć prędkość obrotową.

Kucie

- ♦ Aby pracować z blokadą wrzeczona, wykonywać niezbyt ciężkie dłutowanie i kruszenie ustaw przełącznik trybu pracy (5) w pozycji **T**.
- ♦ Upewnij się, że przełącznik kierunku obrotów znajduje się w pozycji "obroty prawe".
- ♦ Aby pracę w trybie wiercenia z udarem zmienić na dłutowanie, należy ustawić dłuto w odpowiedniej pozycji. Jeśli w czasie zmiany wyczuwalny jest opór, delikatnie obrócić dłuto tak, aby zapiąć uchwyt.

Wybór kierunku obrotów

W trakcie wiercenia, dokręcania śrub oraz dłutowania ustaw obroty w prawo (zgodnie z ruchem wskazówek zegara). Aby poluzować śrubę lub zaklinowane wiertło, należy włączyć lewe obroty (przeciwnie do ruchu wskazówek zegara).

- ◆ Aby ustawić prawe obroty, należy przesunąć suwak przełącznika lewych / prawych obrotów (3) w lewo.
- ◆ Aby ustawić lewe obroty, należy przesunąć suwak przełącznika lewych / prawych obrotów w prawo.

Uwaga! Nie wolno przełączać kierunku obrotów w czasie pracy silnika.

Nastawianie głębokości wiercenia (Rys. F)

- ◆ Poluzować dodatkową rękojęść (7) obracając uchwyt przeciwnie do ruchu wskazówek zegara.
- ◆ Ustawić ogranicznik głębokości wiercenia (8) w żądanej pozycji. Maksymalna głębokość wiercenia jest równa odległości pomiędzy czubkiem końcówki wiertła a przednim końcem ogranicznika głębokości wiercenia.
- ◆ Zamocować dodatkową rękojęść obracając uchwyt zgodnie z ruchem wskazówek zegara.

Włączanie i wyłączenie

- ◆ Aby włączyć narzędzie, należy nacisnąć wyłącznik z regulacją obrotów (1). Prędkość obrotowa zależy od głębokości wciśnięcia przycisku. Ustawić przełącznik regulacji obrotów (4) w wybranym zakresie prędkości obrotowych.
- ◆ Nastaw prędkości oznaczonych numerami od 1 do 6 należy używać tylko przez krótki czas.
- ◆ Ogólna zasada mówi, że przy wiertłach o dużej średnicy stosuje się niskie prędkości obrotowe, a dla mniejszych średnic wyższe prędkości obrotowe.
- ◆ Praca ciągła możliwa jest po wciśnięciu przycisku blokady wyłącznika (2) i zwolnieniu wyłącznika z regulacją obrotów. Ta funkcja działa tylko przy ustawieniu obrotów w prawo (zgodnie z ruchem wskazówek zegara).
- ◆ Aby wyłączyć narzędzie, należy zwolnić wyłącznik z regulacją obrotów. Aby wyłączyć narzędzie pracujące w trybie ciągłym powtórnie nacisnąć i zwolnić wyłącznik z regulacją obrotów.

Akcesoria

Wydajność narzędzia zależy od użytego osprzętu. Akcesoria Black & Decker i Piranha spełniają wysokie standardy jakości i zostały zaprojektowane tak, aby zwiększyć wydajność elektronarzędzia. Używając tych akcesoriów maksymalnie wykorzystasz możliwości swojego narzędzia.

Konserwacja

Opisywane sieciowe/bezprzewodowe urządzenie/narzędzie Black & Decker zostało zaprojektowane

tak, aby zapewnić długoletnią pracę przy minimalnej konieczności konserwacji. Aby długo cieszyć się właściwą pracą urządzenia, należy odpowiednio z nim postępować i regularnie je czyścić.

Uwaga! Przed przystąpieniem do konserwacji elektronarzędzi zasilanych przewodem zasilającym / akumulatorami:

- ◆ Wyłącz urządzenie i wyjmij wtyczkę z kontaktu.
- ◆ Lub wyłącz i odłącz akumulator od urządzenia, jeśli urządzenie jest wyposażone w oddzielny akumulator.
- ◆ Jeśli akumulator jest zintegrowany, należy go całkowicie rozładować a następnie wyłączyć urządzenie.
- ◆ Przed czyszczeniem wyjąć wtyczkę ładowarki z gniazda zasilającego. Ładowarka nie wymaga, oprócz okresowego czyszczenia, żadnej dodatkowej konserwacji.
- ◆ Okresowo czyścić otwory wentylacyjne urządzenia/narzędzia/ładowarki za pomocą miękkiej szczoteczki lub suchej ściereczki.
- ◆ Okresowo czyścić obudowę silnika za pomocą wilgotnej ściereczki. Nie wolno używać preparatów do szorowania, ani zawierających rozpuszczalniki.
- ◆ Okresowo rozkręcać szczęki zaciskowe i wytrzeć z nich gromadzący się pył.

Ochrona środowiska



Selektywna zbiórka odpadów. Opisywanego produktu nie wolno utylizować razem ze zwykłymi śmieciami z gospodarstwa domowych.

Gdy okaże się, że konieczna jest wymiana posiadanego narzędzia Black & Decker lub nie będzie się go więcej używać, nie należy wyrzucać go razem ze śmieciami z gospodarstwa domowego. Należy przekazać produkt do punktu selektywnej zbiórki odpadów.



Selektywna zbiórka zużytych produktów i opakowań pozwala na recykling i powtórne wykorzystanie użytych materiałów. Powtórne użycie materiałów pomaga chronić środowisko naturalne przed zanieczyszczeniem i zmniejsza zapotrzebowanie na surowce.

Lokalne prawodawstwo może zapewniać możliwość selektywnej zbiórki zużytych urządzeń elektrycznych z gospodarstw domowych na wysypiskach śmieci lub u sprzedawcy, w trakcie zakupu nowego produktu.

Firma Black & Decker zapewnia możliwość zbiórki zużytych urządzeń i recyklingu swoich produktów. Aby skorzystać z tej możliwości, prosimy zwrócić się do jednego z Autoryzowanych Przedstawicieli Serwisowych, który odbierze je od Państwa w naszym imieniu.

Lokalizację najbliższego Autoryzowanego Przedstawiciela Serwisowego dostępny jest w miejscowym biurze firmy Black & Decker, którego adres znajduje się na niniejszej instrukcji obsługi. Lista przedstawicieli serwisowych Black & Decker oraz informacje na temat naszego serwisu posprzedażnego dostępne są na stronie internetowej: www.2helpU.com

Dane techniczne

		KD975 TYP 3	KD985 TYP 3	KD990 TYP 3
Napięcie zasilania	V _{AC}	230	230	230
Pobór mocy	W	710	800	850
Prędkość bez obciążenia	min ⁻¹	0-980	0-980	0-980
Częstotliwość udaru	min ⁻¹	0-5180	0-5180	0-5180
Energia udaru	J	1,8	2,2	2,4
Maksymalna średnica wiercenia				
Beton	mm	22	24	26
Stal	mm	13	13	13
Drewno	mm	30	30	30
Waga	kg	3,4	3,4	3,4

Poziom ciśnienia akustycznego zgodnie z EN 60745:

Ciśnienie akustyczne (L_{pA}) 96 dB(A),
wahania (K) 3 dB(A), moc akustyczna (L_{WA}) 107 dB(A),
wahania (K) 3 dB(A)

Sumaryczna wielkość drgań (suma wektorów trzech osi) zgodnie z normą EN 60745:

Wiercenie z udarem w betonie (a_{h,HD}) 14,9 m/s²,
wahania (K) 1,5 m/s², Dłutowanie (a_{h,Cheq}) 9,0 m/s²,
wahania (K) 1,5 m/s²

Deklaracja zgodności UE
DYREKTYWA MASZYNOWA



Firma Black & Decker oświadcza, że opisywane szlifierki KD975/KD985/KD990 spełniają wymagania norm: 2006/42/EC, EN 60745-1, EN 60745-2-6.

Te produkty są również zgodne z zapisami dyrektyw 2004/106/WE oraz 2011/65/UE. Aby otrzymać więcej informacji, należy skontaktować się z firmą Black & Decker pod adresem podanym poniżej lub na końcu instrukcji.

Niżej podpisana osoba odpowiedzialna jest za zestawienie informacji technicznych i składa niniejszą deklarację w imieniu firmy Black & Decker.

Kevin Hewitt
Vice-President
Global Engineering
Black & Decker Europe,
210 Bath Road, Slough,
Berkshire, SL1 3YD
Wielka Brytania
30/06/2014

Black & Decker**WARUNKI GWARANCJI:**

Produkty marki Black & Decker reprezentują bardzo wysoką jakość, dlatego oferujemy dla nich korzystne warunki gwarancyjne. Niniejsze warunki gwarancji nie pomniejszają praw klienta wynikających z polskich regulacji ustawowych lecz są ich uzupełnieniem. Gwarancja jest ważna na terenie Rzeczypospolitej Polskiej.

Black & Decker gwarantuje sprawne działanie produktu w przypadku postępowania zgodnego z warunkami techniczno-eksploatacyjnymi opisanymi w instrukcji obsługi.

Niniejszą gwarancją nie jest objęte dodatkowe wyposażenie, jeżeli nie została do niego dołączona oddzielna karta gwarancyjna oraz elementy wyrobu podlegające naturalnemu zużyciu.

1. Niniejszą gwarancją objęte są usterki produktu spowodowane wadami produkcyjnymi i wadami materiałowymi.
2. Niniejsza gwarancja jest ważna po przedstawieniu przez Klienta w Centralnym Serwisie Gwarancyjnym reklamowanego produktu oraz łącznie:
 - a) poprawnie wypełnionej karty gwarancyjnej;
 - b) ważnego paragonu zakupu z datą sprzedaży taką, jak w karcie gwarancyjnej lub kopii faktury.
3. Gwarancja obejmuje bezpłatną naprawę urządzenia (wraz z bezpłatną wymianą uszkodzonych części) w okresie 24 miesięcy od daty zakupu.
4. Produkt reklamowany musi być:
 - a) dostarczony bezpośrednio do Centralnego Serwisu Gwarancyjnego wraz z poprawnie wypełnioną Kartą Gwarancyjną i ważnym paragonem zakupu (lub kopią faktury) oraz szczegółowym opisem uszkodzenia, lub
 - b) przesłany do Centralnego Serwisu Gwarancyjnego za pośrednictwem punktu sprzedaży wraz z dokumentami wymienionymi powyżej.
5. Koszty wysyłki do Centralnego Serwisu Gwarancyjnego ponosi Serwis. Wszelkie koszty związane z zapewnieniem bezpiecznego opakowania, ubezpieczeniem i innym ryzykiem ponosi Klient. W przypadku odrzucenia roszczenia gwarancyjnego, produkt jest odsyłany do miejsca nadania na koszt adresata.
6. Usterki ujawnione w okresie gwarancji będą usunięte przez Centralny Serwis Gwarancyjny w terminie:
 - a) 14 dni roboczych od daty przyjęcia produktu przez Centralny Serwis Gwarancyjny;
- b) termin usunięcia wady (punkt 6a) może być wydłużony o czas niezbędny do importu niezbędnych części zamiennych.
7. Klient otrzyma nowy sprzęt, jeżeli:
 - a) Centralny Serwis Gwarancyjny stwierdzi na piśmie, że usunięcie wady jest niemożliwe;
 - b) produkt nie podlega naprawie, tylko wymianie bez dokonywania naprawy.
8. O ile taki sam produkt jest nieosiągalny, może być wydany nowy produkt o nie gorszych parametrach.
9. Decyzja Centralnego Serwisu Gwarancyjnego odnośnie zasadności zgłaszanych usterek jest decyzją ostateczną.
10. Gwarancją nie są objęte:
 - a) wadliwe działanie lub uszkodzenia spowodowane niewłaściwym użytkowaniem lub używaniem produktu niezgodnie z przeznaczeniem, instrukcją obsługi lub przepisami bezpieczeństwa. W szczególności profesjonalne użytkowanie amatorskich narzędzi Black & Decker powoduje utratę gwarancji;
 - b) wadliwe działanie lub uszkodzenia spowodowane przeciążaniem narzędzia, które prowadzi do uszkodzeń silnika, przekładni lub innych elementów a także stosowaniem osprzętu innego niż zalecany przez Black & Decker;
 - c) mechaniczne uszkodzenia produktu i wywołane nimi wady;
 - d) wadliwe działanie lub uszkodzenia na skutek działania pożaru, powodzi, czy też innych klęsk żywiołowych, nieprzewidzianych wypadków, korozji, normalnego zużycia w eksploatacji czy też innych czynników zewnętrznych;
 - e) produkty, w których naruszone zostały plomby gwarancyjne lub, które były naprawiane poza Centralnym Serwisem Gwarancyjnym lub były przerabiane w jakikolwiek sposób;
 - f) osprzęt eksploatacyjny dołączony do urządzenia oraz elementy ulegające naturalnemu zużyciu.
11. Centralny Serwis Gwarancyjny, firmy handlowe, które sprzedały produkt, nie udzielają uprawnień ani gwarancji innych niż określone w karcie gwarancyjnej. W szczególności nie obejmują prawa klienta do domagania się zwrotu utraconych zysków w związku z uszkodzeniem produktu.
12. Gwarancja nie wyłącza, nie ogranicza ani nie zawiesza uprawnień kupującego wynikających z niezgodności towaru z umową.

Centralny Serwis Gwarancyjny ERPATECH

ul. Bakaliowa 26, 05-080 Mościska

tel.: (22) 862-08-08, (22) 431-05-05

faks: (22) 862-08-09

Použitie výrobku

Vaše vŕtacie kladivo Black & Decker je určené na vŕtanie do dreva, kovov, plastov a muríva a tiež na skrútkovanie a ľahké sekanie. Tento výrobok je určený len na spotrebiteľské použitie.

Bezpečnostné pokyny

Všeobecné bezpečnostné pokyny pre prácu s elektrickým náradím



Varovanie! Pozorne si prečítajte všetky bezpečnostné varovania a pokyny. Nedodržanie nižšie uvedených pokynov môže mať za následok úraz elektrickým prúdom, vznik požiaru alebo vážne poranenie.

Tieto pokyny uložte na bezpečnom mieste pre prípadné ďalšie použitie.

Označenie "elektrické náradie" vo všetkých nižšie uvedených upozorneniach odkazuje na Vaše náradie napájané zo siete (obsahuje napájací prírodný kábel) alebo náradie napájané batériami (bez prírodného kábla).

1. Bezpečnosť v pracovnom priestore

- Udržujte pracovný priestor čistý a dobre osvetlený.** Neporiadok na pracovnom stole a nedostatok svetla v jeho okolí môže viesť k spôsobeniu nehody.
- Nepracujte so zariadením vo výbušnom prostredí, ako napr. v blízkosti horľavých kvapalín, plynov alebo prachu.** Náradie je zdrojom iskrenia, ktoré môže zapáliť prach alebo výpary.
- Pri práci s elektrickým náradím dbajte na to, aby sa do jeho blízkosti nedostali deti a okolo stojace osoby.** Rozptyľovanie môže spôsobiť stratu kontroly nad náradím.

2. Elektrická bezpečnosť

- Zástrčka prírodného kábla náradia musí zodpovedať zásuvke. Nikdy akýmkoľvek spôsobom zástrčku neupravujte.** Pri náradí, ktoré je chránené zemnením nepoužívajte akékoľvek redukcie zástrčiek. Neupravované zástrčky a zodpovedajúce zásuvky znižujú riziko vzniku úrazu elektrickým prúdom.
- Vyvarujte sa dotyku s uzemnenými plochami ako je potrubie, radiátory, sporáky a chladničky.** Pri uzemnení Vášho tela vzrastá riziko úrazu elektrickým prúdom.
- Náradie nevystavujte dažďu ani vlhkému prostrediu.** Pokiaľ do náradia vnikne voda, zvýši sa riziko úrazu elektrickým prúdom.

- S prírodným káblom zaobchádzajte opatrne. Nikdy nepoužívajte prírodný kábel na prenášanie náradia, jeho posúvanie alebo za neho neťahajte pri odpájaní náradia od elektrickej siete. Dbajte na to, aby sa napájací kábel nedostal do kontaktu s horúcimi povrchmi, olejom, ostrými hranami a pohyblivými časťami.** Poškodený alebo zapletený prírodný kábel zvyšuje riziko vzniku úrazu elektrickým prúdom.
- Pokiaľ používate elektrické náradie vonku, používajte iba predĺžovací kábel určený na vonkajšie použitie.** Použitie kábla určeného na vonkajšie použitie znižuje riziko úrazu elektrickým prúdom.
- Pri práci s elektrickým náradím vo vlhkom prostredí je nevyhnutné používať prúdový chránič (RCD).** Použitie prúdového chrániča RCD znižuje riziko úrazu elektrickým prúdom.

3. Bezpečnosť osôb

- Zostaňte stále pozorní, sledujte, čo robíte a pri práci s elektrickým náradím premýšľajte. S náradím nepracujte, pokiaľ ste unavení alebo pod vplyvom drog, alkoholu či liekov.** Chvilka nepozornosti pri práci s náradím môže viesť k vážnemu úrazu.
- Používajte prostriedky na ochranu osôb. Vždy používajte ochranu zraku.** Ochranné prostriedky, ako respirátor, nekávavá pracovná obuv, pokrývka hlavy a chrániče sluchu znižujú riziko poranenia osôb.
- Zabráňte náhodnému zapnutiu. Pred pripojením k zdroju napätia alebo pred vložením akumulátora, zdvíhaním alebo prenášaním náradia skontrolujte, či je hlavný vypínač vypnutý.** Prenášanie náradia s prstom na hlavnom vypínači alebo pripojenie prírodného kábla k elektrickému rozvodu, ak je hlavný vypínač náradia v zapnutej polohe, môže spôsobiť úraz.
- Pred zapnutím náradia sa vždy uistite, či nie sú v jeho blízkosti kľúče alebo nastavovacie prípravky.** Ponechané kľúče môžu byť zachytené rotujúcimi časťami náradia a môžu spôsobiť úraz.
- Neprekážajte sami sebe. Pri práci vždy udržiavajte vhodný a pevný postoj.** To umožní lepšiu ovládateľnosť náradia v neočakávaných situáciách.
- Vhodne sa obliekajte. Nenoste voľné šatstvo alebo šperky. Vaše vlasy, odev a rukavice držte mimo dosahu pohyblivých**

častí. Voľné šaty, šperky alebo dlhé vlasy môžu byť pohyblivými dielmi zachytené.

- g. Pokiaľ je zariadenie vybavené adaptérom na pripojenie zariadení na zachytávanie prachu, zaistíte jeho správne pripojenie a riadne fungovanie.** Použitie týchto zariadení môže znížiť nebezpečenstvo týkajúce sa prachu.
- 4. Prevádzka a údržba elektrického náradia**
- a. Náradie nepreťažujte. Pre konkrétne aplikácie používajte vhodné náradie.** Pri použití správneho typu náradia bude práca vykonaná lepšie a bezpečnejšie.
- b. Pokiaľ nejde hlavný vypínač náradia zapnúť a vypnúť, s náradím nepracujte.** Akékoľvek náradie s nefunkčným hlavným vypínačom je nebezpečné a musí byť opravené.
- c. Pred výmenou akýchkoľvek častí, príslušenstva či iných pripojených súčastí, pred prevádzaním servisu alebo pokiaľ náradie nepoužívate, odpojte ho od elektrickej siete a/ alebo vyberte akumulátor.** Tieto preventívne bezpečnostné opatrenia znižujú riziko náhodného zapnutia náradia.
- d. Uložte elektrické náradie mimo dosahu detí a nedovoľte ostatným osobám, ktoré toto náradie nevedia ovládať alebo ktoré nepoznajú tieto bezpečnostné pokyny, aby s týmto elektrickým náradím pracovali.** Elektrické náradie je v rukách nekvalifikovanej obsluhy nebezpečné.
- e. Údržba elektrického náradia. Skontrolujte, či náradie nemá vychýlené alebo rozpojené pohyblivé časti, zlomené diely alebo akúkoľvek inú poruchu, ktorá môže mať vplyv na jeho správny chod. Ak je náradie poškodené, nechajte ho opraviť.** Veľa nehôd býva spôsobených nedostatočnou údržbou náradia.
- f. Rezné nástroje udržiavajte ostré a čisté.** Riadne udržiavané rezné nástroje s ostrými reznými hranami sa menej zanášajú a lepšie sa ovládajú.
- g. Náradie, príslušenstvo a držiaky nástrojov používajte podľa týchto pokynov a spôsobom určeným daným typom náradia, berte do úvahy pracovné podmienky a prácu, ktorú je nutné vykonať.** Použitie náradia iným spôsobom a na iné než odporúčané účely môže viesť k vzniku nebezpečných situácií.

5. Opravy

- a. Zverte opravu Vášho elektrického náradia iba osobe s príslušnou kvalifikáciou s použitím výhradne originálnych náhradných dielov.** Tým zaistíte bezpečnú prevádzku náradia.

Doplnkové bezpečnostné pokyny pre prácu s elektrickým náradím



Varovanie! Doplnkové bezpečnostné pokyny pre vŕtacie a búracie kladivá

- ◆ **Používajte ochranu sluchu.** Nadmerná hlučnosť môže spôsobiť stratu sluchu.
- ◆ **Používajte prídavné rukoväte dodávané s náradím.** Strata kontroly nad náradím môže viesť k úrazu.
- ◆ **Pri pracovných operáciách, pri ktorých by mohlo dôjsť ku kontaktu so skrytými vodičmi alebo s vlastným káblom, držte elektrické náradie vždy za izolované rukoväte.** Pri kontakte s vodičom pod prúdom sa nechránené kovové časti náradia stanú vodivé a obsluha tak utrpí zásah elektrickým prúdom.
- ◆ Nikdy nepoužívajte násady na sekanie v rotačnom režime. Násady sa v obrábanom materiáli zovrú a spôsobia tak otáčanie vŕtačky.
- ◆ Obrobok si k pevnej podložke upnite pomocou svoriek či iným vhodným spôsobom. Prichytenie obrobku rukou alebo k telu je nestabilné a môže viesť k strate kontroly.
- ◆ Pred vŕtaním do stien, podláh alebo stropov si zistite polohu skrytých elektrických vedení a potrubí.
- ◆ Ihneď po ukončení vŕtania sa nedotýkajte hrotu vŕtáka - môže byť horúci.
- ◆ Použitie tohto náradia je popísané v tomto návode. Použitie akéhokoľvek iného príslušenstva alebo prídavných zariadení, alebo akékoľvek iné využitie tohto náradia, než je popísané v tomto návode na použitie, môže mať za následok riziko poranenia osôb alebo škody na majetku.

Bezpečnosť ostatných

- ◆ Tento prístroj nie je určený na použitie osobami (vrátane detí) so zníženými fyzickými, zmyslovými alebo duševnými schopnosťami, alebo s nedostatkom skúseností a znalostí, pokiaľ tieto osoby nepracujú pod dohľadom, alebo pokiaľ im neboli poskytnuté inštrukcie týkajúce sa použitia prístroja osobou zodpovednou za ich bezpečnosť.

- ♦ Deti by mali byť pod dozorom, aby sa s náradím nehrali.

Vibrácie

Deklarovaná úroveň vibrácií uvedená v technických údajoch a v prehlásení o zhode bola meraná v súlade so štandardnou skúšobnou metódou predpísanou normou EN 60745 a môže sa použiť na porovnanie jednotlivých náradí medzi sebou. Deklarovaná úroveň vibrácií môže byť tiež použitá na predbežné stanovenie doby práce s týmto výrobkom.

Varovanie! Úroveň vibrácií pri aktuálnom použití elektrického náradia sa môže od deklarovanej úrovne pôsobenia líšiť v závislosti od spôsobu použitia výrobku. Úroveň vibrácií môže byť oproti uvedenej hodnote vyššia.

Pri stanovení doby vystavenia sa vibráciám a určení bezpečnostných opatrení podľa normy 2002/44/EC na ochranu osôb pravidelne používajúcich elektrické náradie v zamestnaní by mal predbežný odhad pôsobenia vibrácií brať do úvahy aktuálne podmienky použitia náradia s prihliadnutím na všetky časti pracovného cyklu, ako aj času, počas ktorého je náradie vypnuté a kedy beží naprázdno.

Štítky na náradí

Na stroji sú nasledovné piktogramy:



Varovanie! Aby ste znížili riziko vzniku úrazu musí byť obsluha oboznámená s týmto návodom na použitie.

Elektrická bezpečnosť



Toto náradie je chránené dvojito izoláciou; preto nie je nutné použitie zemniaceho vodiča. Vždy skontrolujte, či zdroj napätia zodpovedá napätiu na výkonovom štítku.

- ♦ Poškodený prívodný kábel musí byť vymenený výrobcom alebo mechanikom značkového servisu Black & Decker.

Popis

Toto náradie je vybavené niektorými alebo všetkými nasledovnými prvkami.

1. Vypínač s reguláciou otáčok
2. Poistné tlačidlo
3. Prepínač pravého / ľavého chodu
4. Regulátor plynu nastaviteľných otáčok
5. Volič režimu vrtania
6. Držiak na násady
7. Bočná rukoväť
8. Hĺbkový doraz

Montáž

Varovanie! Pred montážou sa uistite, či je náradie vypnuté a či je prívodný kábel odpojený od zásuvky.

Upevnenie bočnej rukoväte a hĺbkového dorazu (obr. A)

- ♦ Otáčajte držadlom proti smeru pohybu hodinových ručičiek, až sa dá bočná rukoväť (7) nasunúť na prednú časť náradia podľa obrázku.
- ♦ Otočte bočnú rukoväť do požadovanej polohy.
- ♦ Zasuňte hĺbkový doraz (8) do otvoru podľa obrázku.
- ♦ Nastavte hĺbkový doraz do požadovanej polohy. Maximálna hĺbka vrtania zodpovedá vzdialenosti medzi špičkou vrtáku a prednou časťou hĺbkového dorazu.
- ♦ Dotiahnite bočnú rukoväť otáčaním držadla v smere pohybu hodinových ručičiek.

Uchytenie príslušenstva (obr. B)

- ♦ Očistite a namažte driek (9) nástroja.
- ♦ Zatiahnite objímku (10) dozadu a driek vložte do držiaku nástrojov (6).
- ♦ Zatláčajte nástroj dole a ľahko ním otáčajte, dokiaľ nezapadne do otvoru.
- ♦ Ťahom skontrolujte riadne uchytenie nástroja. Funkcia príklepu vyžaduje, aby sa vrták, po zaistení v držiaku nástroja, mohol pohybovať po osi niekoľko centimetrov.
- ♦ Ak chcete nástroj vybrať, zatiahnite objímku (10) dozadu a nástroj vysuňte.

KD985/KD990 - Upevnenie štandardného skľučovadla (obr. C)

- ♦ Upevnite driek (11) dodávaného skľučovadla (12) do držiaku nástrojov podľa vyššie popísaného postupu.

Varovanie! Nikdy nepoužívajte štandardné skľučovadlá v režime vrtania s príklepom.

KD985/KD990 - Uchytenie nástrojov do štandardného skľučovadla (obr. D)

- ♦ Roztvorte skľučovadlo otáčaním objímky (13).
- ♦ Vložte nástroj (14) do skľučovadla.
- ♦ Vložte kľúč (15) do niektorého z otvorov (16) na bočnej strane skľučovadla a otáčaním dotiahnite.

Zvyškové riziká

Ďalšie zvyškové riziká môžu vzniknúť pri použití náradia, ktoré nemusí byť uvedené v priložených bezpečnostných výstrahách. Tieto riziká môžu

vzniknúť v dôsledku nesprávneho použitia náradia, dlhodobého použitia náradia atď.

Aj keď sú dodržované príslušné bezpečnostné predpisy a sú používané bezpečnostné zariadenia, nemôžu byť vylúčené určité zvyškové riziká. Tieto riziká sú nasledujúce:

- ♦ Zranenia spôsobené kontaktom s rotujúcimi alebo pohyblivými dielcami náradia.
- ♦ Zranenia spôsobené pri výmene akýchkoľvek dielcov, rezných nástrojov alebo príslušenstva.
- ♦ Zranenia spôsobené dlhodobým použitím náradia. Ak používate akékoľvek náradie dlhší čas, zaistíte, aby ste mohli vykonávať pravidelné prestávky.
- ♦ Poškodenie sluchu.
- ♦ Zdravotné riziká spôsobené vdychovaním prachových častíc pri práci s náradím (napríklad: práca s drevom, hlavne s dubovým, bukovým a materiálom MDF.)

Použitie

Varovanie! Nechajte náradie pracovať jeho vlastným tempom. Zamedzte preťažovaniu náradia.

Varovanie! Pred vŕtaním do stien, podláh alebo stropov si zistite polohu skrytých elektrických vedení a potrubí.

Voľba pracovného režimu (obr. E)

Náradie je možné prevádzkovať v troch pracovných režimoch: Nastavte volič režimu vŕtania (5) do požadovanej polohy označenej príslušným symbolom.

Vŕtanie

- ♦ Na vŕtanie do kovu, dreva a plastov a na skrutkovanie nastavte volič režimu (5) do polohy **1**.
- ♦ Skrutkovať začínajte pri nízkych otáčkach. Pri uvoľňovaní skrutiek sa otáčky motora automaticky znížia.

Vŕtanie s príklepom

- ♦ Na príklepové vŕtanie do muriva a betónu nastavte volič režimu (5) do polohy **T1**.
- ♦ V režime príklepu by náradie nemalo po povrchu poskakovať. V prípade potreby zvýšte otáčky.

Búranie

- ♦ Pre ľahké sekacie so zaisteným hriadeľom nastavte volič režimu (5) do polohy **T**.
- ♦ Skontrolujte, či je prepínač pravého a ľavého chodu v polohe pre pravý chod.

- ♦ Pri zmene z režimu vŕtania s príklepom na režim sekacie nastavte sekáč do požadovanej polohy. Pokiaľ cítite pri zmene režimu odpor, pootočte ľahko sekáčom tak, aby došlo k zaisteniu hriadeľa.

Voľba smeru otáčania

Pre vŕtanie, ťahovanie skrutiek a pre sekacie používajte otáčanie smerom dopredu (v smere pohybu hodinových ručičiek). Na uvoľňovanie skrutiek a zaseknutých vŕtákov použite ľavý chod (proti smeru pohybu hodinových ručičiek).

- ♦ Ak chcete zvoliť pravý chod, zatlačte prepínač pre voľbu chodu (3) smerom doľava.
- ♦ Ak chcete zvoliť spätný chod, zatlačte prepínač pre voľbu chodu smerom doprava.

Varovanie! Nikdy nemeňte smer otáčania za chodu motora.

Nastavenie hĺbky vŕtania (obr. F)

- ♦ Otáčaním proti smeru pohybu hodinových ručičiek uvoľnite bočnú rukoväť (7).
- ♦ Nastavte hĺbkový doraz (8) do požadovanej polohy. Maximálna hĺbka vŕtania zodpovedá vzdialenosti medzi špičkou vŕtáku a prednou časťou hĺbkového dorazu.
- ♦ Dotiahnite bočnú rukoväť otáčaním držadla v smere pohybu hodinových ručičiek.

Zapnutie a vypnutie

- ♦ Náradie zapnete stisnutím vypínača s reguláciou otáčok (1). Otáčky náradia závisia na intenzite stlačenia tohto vypínača. Nastavte regulátor otáčok (4) do polohy, ktorá bude zodpovedať požadovaným otáčkam.
- ♦ Rýchlosti 1 – 6 používajte iba krátkodobo.
- ♦ Všeobecne používajte nižšie otáčky pre väčšie priemery vŕtákov a vyššie otáčky pre menšie priemery.
- ♦ Pre plynulý chod stisnite zaistovacie tlačidlo (2) a uvoľnite vypínač s reguláciou otáčok. To je možné iba pri chode náradia smerom vpred (otáčanie v smere pohybu hodinových ručičiek).
- ♦ Náradie vypnete tak, že uvoľníte stlačenie hlavného vypínača s reguláciou otáčok. Ak chcete náradie z plynulého chodu vypnúť, stisnite opäť vypínač s reguláciou otáčok a uvoľníte ho.

Príslušenstvo

Výkon Vášho náradia závisí od použitého príslušenstva. Príslušenstvo radu Black & Decker a Piranha zaisťuje najvyššiu kvalitu pracovných operácií Vášho náradia. Použitím tohto príslušenstva s Vaším náradím dosiahnete tie najlepšie výsledky.

Údržba

Vaše náradie Black & Decker bolo skonštruované tak, aby Vám slúžilo dlhú dobu s minimálnymi nárokmi na údržbu. Dlhodobé bezproblémové fungovanie náradia závisí od jeho riadnej údržby a pravidelného čistenia.

Varovanie! Pred začiatkom akejkoľvek údržby tohto prístroja berte na vedomie nasledovné upozornenia.

- ◆ Vypnite náradie a odpojte prívodný kábel od siete.
- ◆ Alebo vypnite náradie a vyberte z neho akumulátor, ak ide z náradia vytiahnuť.
- ◆ Alebo ak sa nedá akumulátor z náradia vybrať, nechajte náradie v chode, pokiaľ nedôjde k jeho úplnému vybitiu a potom náradie vypnite.
- ◆ Pred čistením odpojte nabíjačku zo siete. Vaša nabíjačka nevyžaduje žiadnu údržbu okrem pravidelného čistenia.
- ◆ Vetracie otvory Vášho prístroja pravidelne čistite mäkkou kefkou alebo suchou handričkou.
- ◆ Pomocou vlhkej handričky pravidelne čistite kryt motora. Nepoužívajte žiadne brúsne alebo rozpúšťacie čistiace prostriedky.
- ◆ Pravidelne otvárajte skľučovadlo a poklepaním odstráňte prach z vnútornej časti náradia (ak má náradie skľučovadlo).

Ochrana životného prostredia



Triedenie odpadu. Toto zariadenie nesmie byť vyhodené do bežného domového odpadu.

Pokiaľ nebudete prístroj ďalej používať alebo ak chcete prístroj vymeniť za nový, nelikvidujte ho spolu s bežným komunálnym odpadom. Zaisťte likvidáciu tohto výrobku v triedenom odpade.



Triedený odpad umožňuje recykláciu a opätovné využitie použitých výrobkov a obalových materiálov. Opätovné použitie recyklovaných materiálov pomáha chrániť životné prostredie pred znečistením a znižuje spotrebu surovín.

Pri zakúpení nových výrobkov Vám predajne, miestne zberne odpadov alebo recyklačné stanice poskytnú informácie o správnej likvidácii elektroodpadov z domácnosti.

Tiež spoločnosť Black & Decker poskytuje možnosť zberu použitých výrobkov alebo ich recykláciu po ukončení ich životnosti. Ak chcete využiť túto službu, vráťte prosím Váš výrobok ktorémukoľvek servisnému stredisku, ktoré náradie odoberie a zaisťí jeho recykláciu.

Miesto Vašej najbližšej servisnej pobočky Black & Decker nájdete na príslušnej adrese uvedenej na zadnej strane tejto príručky. Prehľad autorizovaných servisných dielní Black & Decker a rovnako ďalšie informácie môžete nájsť tiež na internetovej adrese: www.2helpU.com

Technické údaje

		KD975 TYP 3	KD985 TYP 3	KD990 TYP 3
Napätie	V _{AC}	230	230	230
Príkon	W	710	800	850
Otáčky naprázdno	min ⁻¹	0-980	0-980	0-980
Frekvencia úderov	min ⁻¹	0-5180	0-5180	0-5180
Energia úderu	J	1,8	2,2	2,4
Max. priemer vrtáku				
Betón	mm	22	24	26
Oceľ	mm	13	13	13
Drevo	mm	30	30	30
Hmotnosť	kg	3,4	3,4	3,4

Hľadina akustického tlaku podľa normy EN 60745:

Akustický tlak (L_{pa}) 96 dB(A), odchýlka (K) 3 dB(A), akustický výkon (L_{wa}) 107 dB(A), odchýlka (K) 3 dB(A)

Celková úroveň vibrácií (priestorový vektorový súčet) podľa normy EN 60745:

Vrtanie s príklepom do betónu (a_{h,HD}) 14,9 m/s², odchýlka (K) 1,5 m/s², sekanie (a_{h,Cheq}) 9,0 m/s², odchýlka (K) 1,5 m/s²

ES Prehlásenie o zhode v rámci EÚ

NARIADENIE PRE STROJNÉ ZARIADENIA



KD975/KD985/KD990

Spoločnosť Black & Decker prehlasuje, že produkty popísané v technických údajoch spĺňajú požiadavky nasledujúcich noriem: 2006/42/EC, EN 60745-1, EN 60745-2-6.

Tieto výrobky spĺňajú tiež požiadavky smernice 2004/108/EC a 2011/65/EU. Ak chcete získať ďalšie informácie, kontaktujte prosím spoločnosť Black & Decker na nasledujúcej adrese alebo na adresách, ktoré sú uvedené na konci tohto návodu.

Nižšie podpísaná osoba je zodpovedná za zostavenie technických údajov a vydáva toto prehlásenie v zastúpení spoločnosti Black & Decker.

Kevin Hewitt
Viceprezident pre
spotrebiteľskú techniku
Black & Decker Europe,
210 Bath Road, Slough,
Berkshire, SL1 3YD
United Kingdom
30/06/2014

Záruka

Spoločnosť Black & Decker dôveruje kvalite svojho vlastného náradia a poskytuje kupujúcemu mimoriadnu záruku. Táto záruka je nadštandardná a v žiadnom prípade nepoškodzuje Vaše zákonné práva. Táto záruka platí vo všetkých členských štátoch EÚ a Európskej zóny voľného obchodu EFTA.

Ak sa na výrobku Black & Decker objavia, v priebehu 24 mesiacov od zakúpenia, akékoľvek materiálové či výrobné chyby, garantujeme, v snahe o minimalizovanie Vašich starostí, bezplatnú výmenu chybných dielcov, opravu alebo výmenu celého výrobku za nižšie uvedených podmienok:

- ♦ Výrobok nebol používaný na obchodné alebo profesionálne účely a nedochádzalo k jeho prenájmu.
- ♦ Výrobok nebol vystavený nesprávnemu použitiu a nebola zanedbaná jeho predpísaná údržba.
- ♦ Výrobok nebol poškodený cudzím zavinením.

- ♦ Neboli vykonávané opravy výrobku inými osobami než pracovníkmi značkového servisu Black & Decker.

Pri uplatňovaní reklamácie je nutné predajcovi alebo servisnému stredisku predložiť doklad o nákupe výrobku. Miesto Vašej najbližšej autorizovanej servisnej pobočky Black & Decker sa dozviete na príslušnej adrese uvedenej na zadnej strane tejto príručky. Zoznam autorizovaných servisov Black & Decker a podrobnosti o popredajnom servise nájdete tiež na internetovej adrese: www.2helpU.com

Navštívte našu internetovú adresu www.blackanddecker.co.uk a zaregistrujte si Váš výrobok Black & Decker. Budete tak mať neustále prehľad o nových výrobkoch a špeciálnych ponukách. Ďalšie informácie o značke Black & Decker a o našom výrobnom programe získate na internetovej adrese www.blackanddecker.co.uk

Область применения

Ваш Black & Decker перфоратор с системой SDS Plus предназначен для сверления отверстий в древесине, металле, пластмассе, кирпичной кладке, также для завинчивания винтов, шурупов и непродолжительных долбежных работ. Данный инструмент предназначен только для применения в условиях домашнего использования.

Правила безопасности

Общие правила безопасности при работе с электроинструментами



Внимание! Перед началом работы внимательно прочтите все инструкции по безопасности и руководство по эксплуатации. Несоблюдение всех перечисленных ниже инструкций и правил безопасности может привести к поражению электрическим током, возникновению пожара и/или получению серьезной травмы.

Сохраните все инструкции по безопасности и руководство по эксплуатации для их дальнейшего использования.

Термин „Электроинструмент“ во всех приведенных ниже указаниях относится к Вашему сетевому (с кабелем) электроинструменту или аккумуляторному (беспроводному) электроинструменту.

1. Безопасность рабочего места

- а. **Содержите рабочее место в чистоте и обеспечьте хорошее освещение.** Беспорядок на рабочем месте и его плохое освещение могут привести к несчастному случаю.
- б. **Не используйте электроинструмент, если есть опасность возгорания или взрыва, например, вблизи легко воспламеняющихся жидкостей, газов или пыли.** В процессе работы электроинструмент создает искровые разряды, которые могут воспалить пыль или горючие пары.
- в. **Во время работы с электроинструментом не подпускайте близко детей или посторонних лиц.** Отвлечение внимания может вызвать у Вас потерю контроля над рабочим процессом.

2. Электробезопасность

- а. **Вилка кабеля электроинструмента должна соответствовать штепсельной розетке. Ни в коем случае не видоизменяйте вилку электрического кабеля. Не используйте соединительные штепсели-переходники, если в силовом кабеле электроинструмента есть провод заземления.** Использование оригинальной вилки кабеля и соответствующей ей штепсельной розетки уменьшает риск поражения электрическим током.
- б. **Во время работы с электроинструментом избегайте физического контакта с заземленными объектами, такими как трубопроводы, радиаторы отопления, электроплиты и холодильники.** Риск поражения электрическим током увеличивается, если Ваше тело заземлено.
- в. **Не используйте электроинструмент под дождем или во влажной среде.** Попадание воды в электроинструмент увеличивает риск поражения электрическим током.
- г. **Используйте электрический кабель в установленном режиме. Ни в коем случае не используйте кабель для переноски электроинструмента или для вытягивания его вилки из штепсельной розетки. Не подвергайте электрический кабель воздействию высоких температур и смазочных веществ; держите его в стороне от острых кромок и движущихся частей электроинструмента.** Поврежденный или запутанный кабель увеличивает риск поражения электрическим током.
- д. **При работе с электроинструментом на открытом воздухе используйте удлинительный кабель, предназначенный для наружных работ.** Использование кабеля, пригодного для работы на открытом воздухе, снижает риск поражения электрическим током.
- е. **При необходимости работы с электроинструментом во влажной среде используйте источник питания, оборудованный устройством защитного отключения (УЗО).** Использование УЗО снижает риск поражения электрическим током.

3. Личная безопасность

- а. При работе с электроинструментами будьте внимательны, следите за тем, что Вы делаете, и руководствуйтесь здравым смыслом. Не используйте электроинструмент, если Вы устали, а также находясь под действием алкоголя или понижающих реакцию лекарственных препаратов и других средств.** Малейшая неосторожность при работе с электроинструментами может привести к серьезной травме.
- б. При работе используйте средства индивидуальной защиты. Всегда надевайте защитные очки.** Своевременное использование защитного снаряжения, а именно, пылезащитной маски, ботинок на нескользящей подошве, защитного шлема или противошумных наушников, значительно снизит риск получения травмы.
- в. Не допускайте случайного запуска. Перед тем, как подключить электроинструмент к сети и/или аккумулятору, поднять или перенести его, убедитесь, что выключатель находится в положении “выключено”.** Не переносите электроинструмент с нажатой кнопкой выключателя, и не подключайте к сетевой розетке электроинструмент, выключатель которого установлен в положении “включено”. Это может привести к несчастному случаю.
- г. Перед включением электроинструмента снимите с него все регулировочные или гаечные ключи.** Регулировочный или гаечный ключ, оставленный закрепленным на вращающейся части электроинструмента, может стать причиной тяжелой травмы.
- д. Не допускайте перенапряжения. Всегда твердо стойте на ногах, сохраняя равновесие.** Это позволит Вам не потерять контроль при работе с электроинструментом в непредвиденной ситуации.
- е. Одевайтесь соответствующим образом. Во время работы не надевайте свободную одежду или украшения. Следите за тем, чтобы Ваши волосы, одежда или перчатки находились в постоянном отдалении от движущихся частей инструмента.** Свободная одежда, украшения или

длинные волосы могут попасть в движущиеся части инструмента.

- ж. Если электроинструмент снабжен устройством сбора и удаления пыли, убедитесь, что данное устройство подключено и используется надлежащим образом.** Использование устройства пылеудаления значительно снижает риск возникновения несчастного случая, связанного с запыленностью рабочего пространства.
- 4. Использование электроинструментов и технический уход**
- а. Не перегружайте электроинструмент. Используйте Ваш инструмент по назначению.** Электроинструмент работает надежно и безопасно только при соблюдении параметров, указанных в его технических характеристиках.
 - б. Не используйте электроинструмент, если его выключатель не устанавливается в положение включения или выключения.** Электроинструмент с неисправным выключателем представляет опасность и подлежит ремонту.
 - в. Отключайте электроинструмент от сетевой розетки и/или извлекайте аккумуляторную батарею перед регулированием, заменой принадлежностей или при хранении электроинструмента.** Такие меры предосторожности снижают риск случайного включения электроинструмента.
 - г. Храните неиспользуемые электроинструменты в недоступном для детей месте и не позволяйте лицам, не знакомым с электроинструментом или данными инструкциями, работать с электроинструментом.** Электроинструменты представляют опасность в руках неопытных пользователей.
 - д. Регулярно проверяйте исправность электроинструмента. Проверяйте точность совмещения и легкость перемещения подвижных частей, целостность деталей и любых других элементов электроинструмента, воздействующих на его работу. Не используйте неисправный электроинструмент, пока он не будет полностью отремонтирован.**

Большинство несчастных случаев являются следствием недостаточного технического ухода за электроинструментом.

- e. **Следите за остротой заточки и чистотой режущих принадлежностей.** Принадлежности с острыми кромками позволяют избежать заклинивания и делают работу менее утомительной.
 - ж. **Используйте электроинструмент, аксессуары и насадки в соответствии с данным Руководством и с учетом рабочих условий и характера будущей работы.** Использование электроинструмента не по назначению может создать опасную ситуацию.
- 5. Техническое обслуживание**
- a. **Ремонт Вашего электроинструмента должен производиться только квалифицированными специалистами с использованием оригинальных запасных частей.** Это обеспечит безопасность Вашего электроинструмента в дальнейшей эксплуатации.

Дополнительные меры безопасности при работе с электроинструментами



Внимание! Дополнительные меры безопасности при работе с перфораторами с системой SDS Плюс.

- ♦ **Всегда надевайте противозумные наушники.** Воздействие шума может привести к потере слуха.
- ♦ **При работе пользуйтесь дополнительными рукоятками, прилагающимися к инструменту.** Потеря контроля над инструментом может привести к тяжелой травме.
- ♦ **Держите инструмент за изолированные ручки при выполнении операций, во время которых режущий инструмент может соприкасаться со скрытой проводкой или собственным кабелем.** При контакте с находящимся под напряжением проводом, на изолированных металлических частях инструмента также появляется напряжение, что приводит к поражению электрическим током.
- ♦ **Никогда не используйте долото в режиме вращения.** Долото может застрять в материале, заставив перфоратор вращаться.

- ♦ **Используйте тиски или другие приспособления для фиксации обрабатываемой детали, при этом кладите ее на неподвижную поверхность.** Если держать обрабатываемую деталь руками или с упором в собственное тело, то можно потерять контроль над инструментом или обрабатываемой деталью.
- ♦ **Прежде, чем сверлить отверстия в стенах, полах или потолках, проверьте их на наличие электропроводки и трубопроводов.**
- ♦ **Не дотрагивайтесь до наконечника сверла сразу же после окончания сверления, так как он может быть горячим.**
- ♦ **Назначение инструмента описывается в данном руководстве по эксплуатации.** Используйте все насадки и приспособления и работайте данным инструментом строго в соответствии с данным руководством. Использование не по назначению может привести к серьезной травме и повреждению инструмента или обрабатываемого изделия.

Безопасность посторонних лиц

- ♦ **Использование инструмента физически или умственно неполноценными людьми, а также детьми и неопытными лицами допускается только под контролем ответственного за их безопасность лица.**
- ♦ **Не позволяйте детям играть с электроинструментом.**

Вибрация

Значения уровня вибрации, указанные в технических характеристиках инструмента и декларации соответствия, были измерены в соответствии со стандартным методом определения вибрационного воздействия согласно EN60745 и могут использоваться при сравнении характеристик различных инструментов. Приведенные значения уровня вибрации могут также использоваться для предварительной оценки величины вибрационного воздействия.

Внимание! Значения вибрационного воздействия при работе с электроинструментом зависят от вида работ, выполняемых данным инструментом, и могут отличаться от заявленных значений. Уровень вибрации может превышать заявленное значение.

При оценке степени вибрационного воздействия для определения необходимых защитных мер (2002/44/ЕС) для людей, использующих в процессе работы электроинструменты, необходимо принимать во внимание действительные условия использования электроинструмента, учитывая все составляющие рабочего цикла, в том числе время, когда инструмент находится в выключенном состоянии, и время, когда он работает без нагрузки, а также время его запуска и отключения.

Маркировка инструмента

На инструменте имеются следующие знаки:



Внимание! Внимательное ознакомление с руководством по эксплуатации поможет снизить риск получения травмы.

Электробезопасность



Данный электроинструмент защищен двойной изоляцией, исключающей потребность в заземляющем проводе. Следите за напряжением электрической сети, оно должно соответствовать величине, обозначенной на информационной табличке электроинструмента.

- ◆ Во избежание несчастного случая, замена поврежденного кабеля питания должна производиться только на заводе-изготовителе или в авторизованном сервисном центре Black & Decker.

Составные части

Ваш электроинструмент может содержать все или некоторые из перечисленных ниже составных частей:

1. Клавиша пускового выключателя
2. Кнопка блокировки пускового выключателя
3. Рычаг переключателя направления вращения (реверса)
4. Поворотный переключатель скорости вращения электродвигателя
5. Рычаг поворотного переключателя режимов работы
6. Держатель сменного обрабатывающего инструмента
7. Рукоятка вспомогательная (боковая)
8. Ограничитель глубины сверления

Сборка

Внимание! Перед началом сборки убедитесь, что электроинструмент выключен и отсоединен от электросети.

Установка вспомогательной рукоятки и ограничителя глубины сверления (Рис. А)

- ◆ Вращайте ручку в направлении против часовой стрелки, чтобы вспомогательная рукоятка (7) смогла надвинуться на свое посадочное место на корпусе электроинструмента, как показано на рисунке.
- ◆ Повернув вспомогательную рукоятку, установите ее в необходимое положение.
- ◆ Вставьте ограничитель глубины сверления (8) в посадочное отверстие, как показано на рисунке.
- ◆ Установите ограничитель глубины сверления на необходимую позицию. Максимальная глубина сверления равна расстоянию между острием сверла и передним торцом ограничителя глубины сверления.
- ◆ Затяните вспомогательную рукоятку, повернув ее ручку в направлении по часовой стрелке.

Установка сменного обрабатывающего инструмента (Рис. В)

- ◆ Очистьте и смажьте при необходимости хвостовик (9) сменного обрабатывающего инструмента (например, сверла).
- ◆ Оттяните зажимное кольцо (10) и установите хвостовик в держатель (6).
- ◆ Нажмите на сменный обрабатывающий инструмент до упора, и поверните его до фиксации в шлицах.
- ◆ Потяните за сменный обрабатывающий инструмент для проверки надежности фиксации. Для работы в режиме молотка необходимо, чтобы закрепленный в держателе сменный обрабатывающий инструмент мог двигаться в пределах нескольких сантиметров в осевом направлении.
- ◆ Для удаления, оттяните зажимное кольцо (10) и вытяните сменный обрабатывающий инструмент.

KD985/KD990 - Установка обычного зажимного сверлильного патрона (Рис. С)

- ◆ Установите хвостовик (11) входящего в комплект поставки обычного (с зажимным ключом) зажимного сверлильного патрона (12) в держатель электроинструмента, как описано выше.

Внимание! Ни в коем случае не используйте для сверления с ударом обычные зажимные сверлильные патроны.

KD985/KD990 - Установка сменного обрабатывающего инструмента в зажимной сверлильный патрон (Рис. D)

- ◆ Откройте сверлильный патрон, вращая зажимную втулку (13).
- ◆ Вставьте хвостовик сменного обрабатывающего инструмента (14) в зажимной сверлильный патрон.
- ◆ Вставьте зажимной ключ (15) в одно из трех отверстий (16) зажимного сверлильного патрона, и поверните с усилием ключ.

Остаточные риски.

При работе с данным инструментом возможно возникновение дополнительных остаточных рисков, которые не вошли в описанные здесь правила техники безопасности. Эти риски могут возникнуть при неправильном или продолжительном использовании изделия и т.п. Несмотря на соблюдение соответствующих инструкций по технике безопасности и использование предохранительных устройств, некоторые остаточные риски невозможно полностью исключить. К ним относятся:

- ◆ **Травмы в результате касания вращающихся/двигающихся частей инструмента.**
- ◆ **Риск получения травмы во время смены деталей электроинструмента, пильных дисков или насадок.**
- ◆ **Риск получения травмы, связанный с продолжительным использованием инструмента. При использовании инструмента в течение продолжительного периода времени делайте регулярные перерывы в работе.**
- ◆ **Ухудшение слуха.**
- ◆ **Ущерб здоровью в результате вдыхания пыли при использовании электроинструмента (например: работа с древесиной, в особенности, с дубом, буком и ДВП).**

Эксплуатация

Внимание! Не форсируйте рабочий процесс. Избегайте перегрузки электроинструмента.

Внимание! Перед сверлением отверстий в стенах, полу или потолке предварительно определяйте местонахождение возможных коммуникаций и электропроводки.

Выбор режима работы (Рис. E)

Данный инструмент можно использовать в 3-х режимах работы: сверление, сверление

с ударом, только удар. Поверните рычаг поворотного переключателя режимов работы (5), чтобы его указательная стрелка расположилась напротив соответствующего символа на корпусе перфоратора, изображающего молоток, сверло или молоток со сверлом.

Сверление

- ◆ Для сверления стали, древесины или пластмассы, также для завинчивания винтов и шурупов установите рычаг поворотного переключателя режимов работы (5) в позицию **1**.
- ◆ Завинчивание винтов и шурупов начинайте с низкой скорости вращения. При вывинчивании скорость вращения автоматически уменьшается.

Сверление с ударом

- ◆ Для сверления с ударом в кирпичной кладке и бетоне, установите рычаг поворотного переключателя режимов работы (5) на позицию **T1**.
- ◆ В режиме молотка электроинструмент должен работать плавно, без подскоков. При необходимости увеличьте скорость вращения.

Работа в режиме молотка

- ◆ Для работ с ударом при зафиксированном шпинделе, также для кратковременных долбежных работ установите рычаг поворотного переключателя режимов работы (5) на позицию **T**.
- ◆ Убедитесь, что рычаг переключателя направления вращения установлен на правое вращение (в направлении по часовой стрелке).
- ◆ При переходе от ударного сверления к долблению, поворачивая долото, установите его в необходимое положение. Если при этом ощущается сопротивление, немного проверните долото, чтобы сработала блокировка шпинделя.

Выбор направления вращения

Для сверления, завинчивания винтов и шурупов, также для долбления используйте правое вращение (в направлении по часовой стрелке). Для отвинчивания винтов и шурупов, также для освобождения заклинившегося сверла, используйте левое вращение (в направлении против часовой стрелки).

- ◆ Для правого вращения, передвиньте влево рычаг переключателя направления вращения (3).

- ♦ Для левого вращения, передвиньте вправо рычаг переключателя направления вращения.

Внимание! Ни в коем случае не изменяйте направление вращения при работающем электродвигателе.

Регулирование глубины сверления (Рис. F)

- ♦ Ослабьте вспомогательную рукоятку (7), повернув ее ручку в направлении против часовой стрелки.
- ♦ Установите ограничитель глубины сверления (8) на необходимую позицию. Максимальная глубина сверления равна расстоянию между острием сверла и передним торцом ограничителя глубины сверления.
- ♦ Затяните вспомогательную рукоятку, повернув ее ручку в направлении по часовой стрелке.

Включения и выключение

- ♦ Для включения электроинструмента, нажмите клавишу пускового выключателя (1). Чем глубже Вы вдавливаете клавишу, тем больше скорость вращения электродвигателя электроинструмента. Заданную скорость вращения можно предварительно установить, вращая поворотный переключатель (4).
- ♦ Используйте скорости 1-6 только в течение коротких периодов времени.
- ♦ На увеличение или уменьшение скорости вращения указывают метки „+“ или „-“, расположенные на клавише пускового выключателя. Используйте малую скорость вращения для сверл больших диаметров и высокую скорость для сверл малых диаметров.
- ♦ Для непрерывного режима работы, нажмите дополнительно кнопку блокировки пускового выключателя (2), затем отпустите клавишу пускового выключателя. Эта функция работает только при правом вращении (в направлении по часовой стрелке).
- ♦ Для выключения электроинструмента, отпустите клавишу пускового выключателя. Для выключения при непрерывном режиме работы, нажмите и отпустите клавишу пускового выключателя.

Принадлежности

Производительность Вашего электроинструмента в значительной степени зависит от используемых принадлежностей. Принадлежности Black & Decker и Piranha изготовлены в соответствии с самыми высокими стандартами и способны увеличить производительность Вашего электроинструмента. Используя эти принадлежности, Вы достигнете наилучших результатов.

Техническое обслуживание

Ваш электрический/аккумуляторный инструмент рассчитан на работу в течение продолжительного периода времени при минимальном техническом обслуживании. Срок службы электроинструмента и его надежность увеличивается при правильном уходе и регулярной чистке.

Внимание! Перед проведением технического обслуживания электрического/аккумуляторного инструмента:

- ♦ Выключите инструмент и отключите его от источника питания.
- ♦ Или выключите инструмент и выньте из него аккумуляторную батарею, если инструмент оснащен съемной аккумуляторной батареей.
- ♦ Или, в случае если инструмент оснащен встроенной аккумуляторной батареей, полностью разгрузите батарею и выключите инструмент.
- ♦ Перед чисткой зарядного устройства отключите его от источника питания. Ваше зарядное устройство не требует никакого дополнительного технического обслуживания, кроме регулярной чистки.
- ♦ Регулярно очищайте вентиляционные отверстия электроинструмента мягкой щеткой или сухой тканью.
- ♦ Регулярно очищайте корпус двигателя влажной тканью. Не используйте абразивные чистящие средства, а также чистящие средства на основе растворителей.
- ♦ Регулярно раскрывайте патрон (при наличии) и вытряхивайте из него всю накопившуюся пыль.

Защита окружающей среды



Раздельный сбор. Данное изделие нельзя утилизировать вместе с обычными бытовыми отходами.

Если однажды Вы захотите заменить Ваш электроинструмент Black & Decker или Вы больше в нем не нуждаетесь, не выбрасывайте его вместе с бытовыми отходами. Отнесите изделие в специальный приемный пункт.



Раздельный сбор изделий с истекшим сроком службы и их упаковок позволяет пускать их в переработку и повторно использовать. Использование переработанных материалов помогает защищать окружающую среду от загрязнения и снижает расход сырьевых материалов.

Местное законодательство может обеспечить сбор старых электроинструментов отдельно от бытового мусора на муниципальных свалках отходов, или Вы можете сдавать их в торговом предприятии при покупке нового изделия.

Фирма Black & Decker обеспечивает прием и переработку отслуживших свой срок изделий Black & Decker. Чтобы воспользоваться этой услугой, Вы можете сдать Ваше изделие в любой авторизованный сервисный центр, который собирает их по нашему поручению.

Вы можете узнать место нахождения Вашего ближайшего авторизованного сервисного центра, обратившись в Ваш местный офис Black & Decker по адресу, указанному в данном руководстве по эксплуатации. Кроме того, список авторизованных сервисных центров Black & Decker и полную информацию о нашем послепродажном обслуживании и контактах Вы можете найти в интернете по адресу: www.2helpU.com.

Технические характеристики

		KD975	KD985	KD990
		ТИП 3	ТИП 3	ТИП 3
Напряжение питания	В	230	230	230
Потребляемая мощность	Вт	710	800	850
Число оборотов на холостом ходу об/мин.		0-980	0-980	0-980
Частота ударов уд/мин.		0-5180	0-5180	0-5180
Энергия удара	Дж	1,8	2,2	2,4
Максимальный диаметр сверления:				
Бетон	мм	22	24	26
Металл	мм	13	13	13
Дерево	мм	30	30	30
Вес	кг	3,4	3,4	3,4

Уровень звукового давления в соответствии с EN 60745:

Звуковое давление (L_{pA}) 96 дБ(А), погрешность (К) 3 дБ(А), Акустическая мощность (L_{WA}) 107 дБ(А), погрешность (К) 3 дБ(А)

Суммарная вибрация (по трем осям) в соответствии с EN 60745:

Сверление с ударом по бетону ($a_{h,HD}$) 14,9 м/с², погрешность (К) 1,5 м/с², Обработка долотом ($a_{h,ChEq}$) 9,0 м/с², погрешность (К) 1,5 м/с²

Декларация соответствия ЕС ДИРЕКТИВА ПО МЕХАНИЧЕСКОМУ ОБОРУДОВАНИЮ



KD975/KD985/KD990

Black & Decker заявляет, что продукты, обозначенные в разделе «Технические характеристики», полностью соответствуют стандартам: 2006/42/ЕС, EN 60745-1, EN 60745-2-6.

Эта продукция соответствует директивам 2004/108/ЕС и 2011/65/EU. За дополнительной информацией обращайтесь по указанному ниже адресу или по адресу, указанному на последней странице руководства.

Нижеподписавшееся лицо полностью отвечает за соответствие технических данных и делает это заявление от имени фирмы Black & Decker.

Кевин Хьюитт
(Kevin Hewitt)
Вице-президент отдела
мирового проектирования
Black & Decker Europe,
210 Bath Road, Slough,
Berkshire, SL1 3YD
United Kingdom
30/06/2014

Black&Decker Гарантийные условия

Уважаемый покупатель!

1. Поздравляем Вас с покупкой высококачественного изделия Black&Decker и выражаем признательность за Ваш выбор.
2. При покупке изделия требуйте проверки его комплектности и исправности в Вашем присутствии, инструкцию по эксплуатации и заполненный гарантийный талон на русском языке.
В гарантийном талоне должны быть внесены: модель, дата продажи, серийный номер, дата производства инструмента; название, печать и подпись торговой организации. При отсутствии у Вас правильно заполненного гарантийного талона, а также несоответствия указанных в нем данных мы будем вынуждены отклонить Ваши претензии по качеству данного изделия.
3. Во избежание недоразумений убедительно просим Вас перед началом работы с изделием внимательно ознакомиться с инструкцией по его эксплуатации. Правовой основой настоящих гарантийных условий является действующее Законодательство.
Гарантийный срок на данное изделие составляет 24 месяца и исчисляется со дня продажи. В случае устранения недостатков изделия, гарантийный срок продлевается на период его нахождения в ремонте. Срок службы изделия составляет 5 лет со дня продажи.
4. В случае возникновения каких-либо проблем в процессе эксплуатации изделия рекомендуем Вам обращаться только в уполномоченные сервисные центры Black&Decker, адреса и телефоны которых Вы сможете найти в гарантийном талоне, на сайте www.2helpU.com или узнать в магазине. Наши сервисные станции - это не только квалифицированный ремонт, но и широкий ассортимент запчастей и принадлежностей.
5. Производитель рекомендует проводить периодическую проверку и техническое обслуживание изделия в уполномоченных сервисных центрах.

Сертификат №:
RU C-DE.ME77.B01327



Действителен до:
27 марта 2019 г.

Выдан:

ООО "Центр по сертификации стандартизации и систем качества электро-машиностроительной продукции". Адрес: 141400, Рф, Московская обл., г. Химки, ул. Ленинградская, д. 29, тел: 8(495)7812587, e-mail: oc.elmash@gmail.com

Изготовитель

Блэк энд Деккер Холдингс ГмБХ
Германия, 65510, Идштайн,
ул. Блэк энд Деккер, 40

6. Наши гарантийные обязательства распространяются только на неисправности, выявленные в течение гарантийного срока и вызванные дефектами производства и \ или материалов.
7. **Гарантийные условия не распространяются на неисправности изделия, возникшие в результате:**
 - 7.1. Несоблюдения пользователем предписаний инструкции по эксплуатации изделия, применения изделия не по назначению, неправильном хранении, использования принадлежностей, расходных материалов и запчастей, не предусмотренных производителем.
 - 7.2. Механического повреждения (сколы, трещины и разрушения) внутренних и внешних деталей изделия, основных и вспомогательных рукояток, сетевого электрического кабеля, вызванного внешним ударным или любым иным воздействием
 - 7.3. Попадания в вентиляционные отверстия и проникновение внутрь изделия посторонних предметов, материалов или веществ, не являющихся отходами, сопровождающими применение изделия по назначению, такими как: стружка, опилки, песок, и пр.
 - 7.4. Воздействий на изделие неблагоприятных атмосферных и иных внешних факторов, таких как дождь, снег, повышенная влажность, нагрев, агрессивные среды, несоответствие параметров питающей электросети, указанных на инструменте.
 - 7.5. Стихийного бедствия. Повреждение или утрата изделия, связанное с непредвиденными бедствиями, стихийными явлениями, в том числе вследствие действия непреодолимой силы (пожар, молния, потоп и другие природные явления), а также вследствие перепадов напряжения в электросети и другими причинами, которые находятся вне контроля производителя.
8. **Гарантийные условия не распространяются:**
 - 8.1. На инструменты, подвергавшиеся вскрытию, ремонту или модификации вне уполномоченного сервисного центра.
 - 8.2. На детали и узлы, имеющие следы естественного износа, такие как: приводные ремни и колеса, угольные щетки, смазка, подшипники, зубчатое зацепление редукторов, резиновые уплотнения, сальники, направляющие ролики, муфты, выключатели, бойки, толкатели, стволы, и т.п.
 - 8.3. На сменные части: патроны, цанги, зажимные гайки и фланцы, фильтры, аккумуляторные батареи, ножи, шлифовальные подошвы, цепи, звездочки, пыльные шины, защитные кожухи, пилки, абразивы, пыльные и абразивные диски, фрезы, сверла, буры и т.п.
 - 8.4. На неисправности, возникшие в результате перегрузки инструмента (как механической, так и электрической), повлекшей выход из строя одновременно двух и более деталей и узлов, таких как: ротора и статора, обеих обмоток статора, ведомой и ведущей шестерни редуктора или других узлов и деталей. К безусловным признакам перегрузки изделия относятся, помимо прочего: появление цветов побежалости, деформация или оплавление деталей и узлов изделия, потемнение или обугливание изоляции проводов электродвигателя под воздействием высокой температуры.

Область застосування

Ваш електрично - пневматичний перфоратор виробництва компанії Black & Decker розроблен для свердління дерева, металу, пластику та каменю, а також для використання в якості шурупокруту та легкого довбання. Цей інструмент призначений лише для побутового використання.

Інструкції з техніки безпеки

Загальні правила безпеки для електричного інструменту



Попередження! Перед використанням інструменту уважно прочитайте всі попередження та інструкції. Невиконання всіх попереджень та інструкцій, що наведені нижче, може призвести до ураження електричним струмом, пожежі та/або серйозних травм.

Зберігайте це керівництво для отримання інформації в подальшому.

Термін "електричний інструмент" в усіх попередженнях, перерахованих нижче, стосується використовуваних Вами інструментів, що працюють від мережі енергоспоживання або акумуляторів.

1. Безпека робочої зони

- a. **Тримайте робочу зону чистою та добре освітленою.** Неупорядковані та темні робочі зони збільшують ймовірність нещасного випадку.
- b. **Не використовуйте електричні інструменти у вибухонебезпечних умовах, наприклад, в присутності легкозаймистих рідин, газів або пилу.** Електричні інструменти створюють іскри, що можуть запалити пил або випаровування.
- c. **Тримайте дітей та сторонніх подалі під час використання електричного інструменту.** Відвернення уваги може призвести до втрати контролю.

2. Електрична безпека

- a. **Вилка електричного інструменту має відповідати розетці. Ніколи ніяким чином не змінюйте розетку. Не використовуйте ніяких адаптерів до вилок з заземленими електричними інструментами.** Немодифіковані вилок та розетки, що підходять до них, зменшують ризик ураження електричним струмом.

- b. **Уникайте контакту тіла з заземленими поверхнями, такими як труби, радіатори, плити та холодильники.** Якщо Ваше тіло заземлене, ризик ураження електричним струмом збільшується.
 - c. **Не залишайте електричні інструменти під дощем або в умовах підвищеної вологості.** Вода, що потрапляє в електричний інструмент, підвищує ризик ураження електричним струмом.
 - d. **Не використовуйте шнур не за призначенням. Ніколи не використовуйте шнур для переносу, витягнення або відключення електричного інструменту.** Тримайте шнур подалі від високих температур, мастила, гострих предметів та рухомих деталей. Ушкоджений або заплутаний шнур підвищує ризик ураження електричним струмом.
 - e. **При використанні електричного інструменту на вулиці, використовуйте подовжуючий шнур, що підходить для використання на вулиці.** Використання шнура, що підходить для вулиці, знижує ризик ураження електричним струмом.
 - f. **Якщо неможливо уникнути використання електричного інструменту в умовах підвищеної вологості, використовуйте живлення, захищене пристроєм залишкового струму (RCD).** Використання RCD знижує ризик ураження електричним струмом.
- #### 3. Особиста безпека
- a. **Будьте в стані готовності, дивіться, що ви робите, та використовуйте загальний глузд, коли ви працюєте з електричним інструментом. Не використовуйте електричний інструмент, коли ви втомлені або знаходитесь під впливом наркотичних речовин, алкоголю або ліків.** Втрата уваги при роботі з електричним інструментами може призвести до серйозних травм.
 - b. **Використовуйте особисті засоби безпеки. Завжди використовуйте засоби захисту очей.** Захисні пристрої, як, наприклад, протипилова маска, неслизькі захисні черевики, твердий капелюх або засоби захисту слуху, що використовуються для відповідних умов, можуть зменшити ризик травм.

- с. Уникнення випадкового запуску.**
Переконайтесь, що вимикач знаходиться в позиції Вкл. перед підключенням до джерела живлення та/або акумулятора, переміщенням або перенесенням пристрою. Перенесення електричних інструментів з пальцем на перемикачі або підключення живлення до інструментів, вмикач яких знаходиться в положенні "Вкл." може призвести до нещасного випадку.
- d. Зніміть всі налаштувальні ключі або гайкові ключі перед тим, як вмикати електричний інструмент.** Налаштувальний або гайковий ключ, що залишився на деталі інструменту, що обертається, може призвести до травми.
- e. Не перенапружуйтеся. Завжди утримуйте правильну постановку ніг і рівновагу.** Це дозволяє тримати електричний інструмент під кращим контролем в несподіваних ситуаціях.
- f. Вдягайтеся відповідним чином. Не вдягайте вільний одяг чи прикраси.** Тримайте ваше волосся, одяг та рукавички подалі від рухомих деталей. Вільний одяг, прикраси або довге волосся може зачепитися за рухомі деталі.
- g. Якщо передбачені пристрої для підключення до засобів виділення та збирання пилу, переконайтеся, що вони правильно підключені та використовуються.** Використання таких пристроїв зменшує ризик виникнення небезпечних ситуацій, що пов'язані з потраплянням пилу.
- 4. Використання та догляд за електричним інструментом**
- a. Не використовуйте надмірні зусилля при роботі з механізованим інструментом.** Використовуйте відповідний електричний інструмент для вашої задачі. Правильно обраний інструмент виконає завдання краще та безпечніше за умов, для яких він був розроблений.
- b. Не використовуйте інструмент, вмикач якого не вмикає та не вимикає його.** Будь-який електричний інструмент, який не може управлятися вмикачем, є небезпечним і має бути відремонтований.
- с. Відключіть вилку від джерела живлення перед тим, як робити будь-які налаштування, зміну додаткового обладнання та перед зберіганням інструменту.** Ці профілактичні заходи зменшують ризик випадкового запуску електричного інструменту.
- d. Бережіть вимкнені електричні інструменти від дітей та не дозволяйте особам, що не знайомі з електричним інструментом або цими інструкціями використовувати електричний інструмент.** Електричні інструменти є небезпечними, якщо вони використовуються некваліфікованими користувачами.
- e. Технічне обслуговування електричних інструментів.** Перевіряйте на відсутність вирівнювання або заїдання рухомих деталей, ушкоджених частин та інших умов, що можуть впливати на роботу електричного інструменту. Якщо є ушкодження, відремонтуйте електричний інструмент перед використанням. Багато нещасних випадків є результатом того, що інструмент не пройшов відповідного технічного обслуговування.
- f. Тримайте ріжучі інструменти гострими та чистими.** Правильно доглянуті ріжучі інструменти з гострими ріжучими кромками мають меншу ймовірність заїдання, та ними легше керувати.
- g. Використовуйте електричний інструмент, додаткові інструменти та деталі інструменту тощо у відповідності до цих інструкцій та відповідно до даного типу механізованих інструментів, зважаючи на умови використання та роботу, яка має бути виконана.** Використання електричних інструментів не за призначенням може призвести до виникнення небезпечних ситуацій.
- 5. Обслуговування**
- a. Надавайте Ваш електричний інструмент для обслуговування кваліфікованим спеціалістом з ремонту та використовуйте тільки ідентичні замінні деталі.** Це забезпечить безпеку електричного пристрою, що обслуговується.

Додаткові правила безпеки для електричного інструменту



Попередження! Додаткові інструкції з техніки безпеки для бурильних та відбійних молотків.

- ◆ **Використовуйте засоби захисту органів слуху.** Шум може викликати втрату слуху.
- ◆ **Використовуйте додаткові ручки, що надаються з інструментом.** Втрата контролю над інструментом може викликати травми.
- ◆ **Тримайте електричні інструменти за ізольовану поверхню при виконанні операцій, при яких ріжуча поверхня може торкнутися схованих проводки або власного кабелю.** Контакт ріжучих елементів з дротом під напругою може призвести до появи напруги в інструменті та ураження оператора електричним струмом.
- ◆ Ніколи не використовуйте відбійні насадки в режимі буравлення. Ця насадка може заїсти в матеріалі та розвернути дріль.
- ◆ Використовуйте затискач або інший спосіб закріплення деталі, що оброблюється, на стабільній платформі. Утримування деталі в руках або біля тіла залишає її нестабільною та може призвести до втрати контролю.
- ◆ Перед свердлінням стін, підлоги та стелі переконайтеся, що в цьому місці не розташована електрична проводка та труби.
- ◆ Уникайте контакту з кінцем свердла відразу після свердління, тому що він може бути гарячим.
- ◆ Використання за призначенням описане в цьому керівництві. Використання аксесуарів або приладдя, або виконання будь-яких дій з інструментом, що суперечать рекомендаціям цього керівництва, може призвести до ризику травмування людини та/або пошкодження майна.

Вібрація

Значення вібрації, вказані в технічних даних та в декларації про відповідність виміряні з дотриманням стандартних методів тестування, наданих в EN 60745, та їх можна використовувати для порівняння одного інструменту з іншим. Задекларовані значення вібрації можна також використовувати для попередньої оцінки впливу вібрації.

Попередження! Значення вібрації під час використання інструменту може відрізнитися від задекларованого в залежності від способів використання інструменту. Рівень вібрації може перевищувати вказані значення.

При оцінці впливу вібрації для визначення заходів безпеки за вимогами 2002/44/ЕС, щоб захистити людей, що регулярно використовують інструменти в роботі, необхідно враховувати реальні умови та способи використання інструменту, включаючи врахування всіх періодів робочого циклу, наприклад, часу, коли інструмент вимкнено та коли він знаходиться в режимі очікування, а також часу реальної роботи інструменту.

Написи на інструменті

На інструменті є наступні піктограми:



Попередження! Щоб зменшити ризик травм, користувач повинен прочитати керівництво з експлуатації.

Електрична безпека



Цей інструмент має подвійну ізоляцію; тому заземлення не є необхідним. Завжди перевіряйте, що джерело живлення відповідає напрузі, що вказана на таблиці з паспортними даними.

- ◆ Якщо шнур живлення пошкоджений, його необхідно замінити, звернувшись до виробника або в офіційний сервісний центр компанії Black & Decker, щоб уникнути небезпеки.

Деталі

Цей інструмент має деякі чи всі деталі з нижче вказаних.

1. Перемикач змінної швидкості
2. Кнопка захвату
3. Перемикач реверсу
4. Регулятор змінної швидкості
5. Вибір режиму свердління
6. Ручка інструмента
7. Бокова ручка
8. Обмежувач глибини

Збірка

Попередження! Перед зборкою переконайтеся, що інструмент вимкнено та вилка витягнута з розетки.

Встановлення бокової ручки та обмежувача глибини (мал. А)

- ◆ Поверніть тримач проти годинникової стрілки, доки Ви зможете перемістити

бокову ручку (7) вперед по інструменту, як показано.

- ◆ Поверніть бокову ручку в необхідну позицію.
- ◆ Встановіть обмежувач глибини (8) в монтажний отвір, як показано на рисунку.
- ◆ Встановіть обмежувач глибини в необхідну позицію. Максимальна глибина свердління дорівнює відстані між кінцем свердла та переднім краєм обмежувача глибини.
- ◆ Затягніть бокову ручку, повертаючи тримач за годинниковою стрілкою.

Установка додаткового інструменту (бури системи SDS-Plus) (мал. В)

- ◆ Очистіть та змастите хвостик (9) буру.
- ◆ Відтягніть втулку (10) та встановіть хвостик в тримач інструмента (6).
- ◆ Штовхніть вставку донизу та злегка поверніть, доки від не встане в пази.
- ◆ Потягніть за бур, щоб переконатися, що він надійно заблокований. Для функції удару необхідно, щоб бур рухався аксіально на декілька сантиметрів, коли він закріплений в тримачі інструменту.
- ◆ Щоб зняти вставку, потягніть втулку (10) назад та витягніть вставку.

KD985/KD990 - встановлення затискного патрону (мал. С)

- ◆ Встановіть хвостик (11) затискного патрону (12) в тримач інструмента, як описано вище.

Попередження! Ніколи не використовуйте стандартні затискні патрони в режимі молоткового свердління.

KD985/KD990 - Установка свердла в затискний патрон (мал. D)

- ◆ Відкрийте патрон, повернувши втулку (13).
- ◆ Вставте хвостик свердла (14) в затискний патрон.
- ◆ Вставте ключ затискного патрону (15) в кожний отвір (16) з боків патрону та повертайте, доки патрон не буде добре затиснений.

Залишкові ризики.

Незважаючи на виконання всіх відповідних правил техніки безпеки та використання пристроїв безпеки, неможливо уникнути деяких залишкових ризиків. Сюди належать:

- ◆ **Травми через контакт з деталями, що рухаються/обертаються.**
- ◆ **Травми при заміні деталей, пильних полотен або аксесуарів.**

- ◆ **Травми через занадто тривале використання інструменту. При використанні будь-якого інструменту протягом тривалого періоду часу не забувайте робити регулярні перерви.**
- ◆ **Порушення слуху.**
- ◆ **Небезпека для здоров'я через вдихання пилу, що утворюється при використанні інструменту. Примітка: при свердленні бетону та цегли.**

Використання

Попередження! Інструмент має працювати з передбаченою швидкістю. Не перевантажуйте його.

Попередження! Перед свердлінням стін, підлоги та стелі переконайтеся, що в цьому місці не розташована електрична проводка та труби.

Вибір режиму роботи (мал. Е)

Інструмент має три робочі режими. Поверніть селектор режимів свердління (5) в необхідну позицію, що помічені символами.

Свердління

- ◆ Для свердління металу, дерева та пластмаси та використання викрутки встановіть селектор робочого режиму (5) в положення **1**.
- ◆ При використанні викрутки починайте з низької швидкості. При видаленні шурупів швидкість автоматично зменшується.

Ударне свердління

- ◆ При використанні функції свердління з ударом в камені та бетоні встановіть селектор вибору робочого режиму (5) в позицію **T1**.
- ◆ При ударі інструмент не повинен відскакувати та повинен працювати рівно. Якщо необхідно, зробіть швидкість більше.

Довбання

- ◆ Для використання функції удару з затиском шпінделя та для функцій відколювання та відсікання невеликого шару встановіть селектор вибору робочого режиму (5) в позицію **T**.
- ◆ Переконайтеся, що перемикач вперед/назад встановлений в положення "вперед".
- ◆ При зміні режиму з ударного свердління на довбання поверніть долото в бажане положення. Якщо Ви відчуваєте опірність під час зміни режиму, трохи поверніть зубило для входу в зачеплення з затиском шпінделя.

Вибір напрямку обертання

Для свердління, завертання шурупів та до-
вбання використовуйте обертання вперед
(за годинниковою стрілкою). Для ослаблення
шурупів та знімання затиснених свердел ви-
користовуйте зворотне (проти годинникової
стрілки) обертання.

- ◆ Щоб обрати обертання вперед, натисніть на перемикач реверсу (3) вліво.
- ◆ Щоб обрати обертання назад, натисніть на перемикач реверсу вправо.

Попередження! Ніколи не змінюйте напрямок
обертання, коли мотор працює.

Встановлення глибини свердління (мал. F)

- ◆ Звільніть бокову ручку (7), повертаючи
тримач проти годинникової стрілки.
- ◆ Встановіть обмежувач глибини (8) на
необхідну позицію. Максимальна глибина
свердління дорівнює відстані між кінцем
свердла та переднім краєм обмежувача
глибини.
- ◆ Затягніть бокову ручку, повертаючи тримач
за годинниковою стрілкою.

Вмикання та вимикання

- ◆ Щоб ввімкнути інструмент, натисніть на
перемикач змінної швидкості (1). Швидкість
інструменту залежить від того, наскільки
сильно Ви натиснете на перемикач.
Встановіть ручку управління змінної
швидкості (4) на необхідний діапазон
швидкості.
- ◆ Використовуйте швидкості 1-6 лише
протягом короткого часу.
- ◆ Загальним правило є використання
невеликих швидкостей для свердління
за допомогою бурів великих діаметрів та
використання більших швидкостей для
свердління за допомогою бурів менших
діаметрів.
- ◆ Для безперервної роботи натисніть кнопку
блокування (2) та відпустіть перемикач
змінної швидкості. Ця можливість є лише
при обертанні вперед (за годинниковою
стрілкою).
- ◆ Щоб вимкнути інструмент, відпустіть
перемикач змінної швидкості. Щоб вимкнути
інструмент при безперервному режимі
роботи, натисніть перемикач змінної
швидкості ще раз та відпустіть його.

Витратні матеріали

Продуктивність роботи інструменту залежить
від витратних матеріалів, які Ви використову-
єте. Аксесуари Black & Decker та Piranha ви-
готовлені з дотриманням високих стандартів
якості для покращення продуктивності Вашого
інструменту. Використовуючи ці аксесуари Ви
отримаєте максимальну ефективність від Ва-
шого інструменту.

Технічне обслуговування

Ваш пристрій виробництва компанії
Black & Decker призначений для роботи протягом
довгого часу з мінімальним обслуговуванням.
Постійна задовільна робота залежить від
правильного догляду за інструментом та
регулярної очистки.

Попередження! Перед виконанням будь-якого
технічного обслуговування інструменту зі
шнуром живлення або без нього:

- ◆ Вимкніть інструмент та відключіть його від
мережі живлення.
- ◆ Або вимкніть та витягніть батарею
з інструменту, якщо інструмент оснащений
окремим акумулятором.
- ◆ Або повністю розрядіть акумулятор, якщо він
не витягається, а потім вимкніть інструмент.
- ◆ Витягніть зарядний пристрій з розетки
перед очисткою. Ваш зарядний пристрій не
вимагає технічного обслуговування, лише
необхідно проводити регулярну очистку.
- ◆ Регулярно очищуйте вентиляційні отвори
пристрою/інструменту/зарядного пристрою,
використовуючи м'яку щітку або суху ганчірку.
- ◆ Регулярно очищуйте корпус двигуна,
використовуючи вологу ганчірку. Не
використовуйте абразивні очищувачі або
очищувачі на основі розчинників.
- ◆ Регулярно відкривайте затискний патрон
та струшуйте його, щоб видалити пил
з середини (якщо такий є).

Захист навколишнього середовища



Окреме збирання. Цей продукт не можна
викидати разом зі звичайним побутовим
сміттям.

Якщо якимось чином Ви вирішите, що ваш виріб фірми
Black & Decker має бути замінено, або він Вам
більше не потрібний, не викидайте його на
смітник побутового сміття. Зробіть цей виріб
доступним для окремого збору.



Окремий збір використаних виробів та упаковки дозволяє повторно переробляти та використовувати матеріали. Повторна переробка матеріалів допомагає попередити забруднення навколишнього середовища та зменшує потребу в сировині.

Місцеві законодавчі акти можуть передбачати окремий збір електричного обладнання в муніципальних місцях для збору сміття або продавцями при покупці нового обладнання.

Компанія Black & Decker має можливість для збору та переробки продуктів власного виробництва після закінчення їхнього терміну служби. Щоб скористатися цією послугою, поверніть виріб компанії в офіційний сервісний центр, які збирають відпрацьовані продукти за наш рахунок.

Ви можете знайти місцезнаходження найближчого до Вас сервісного центру, зв'язавшись з місцевим офісом компанії Black & Decker за адресою, вказаною в цих інструкціях. Крім того, список офіційних сервісних центрів компанії Black & Decker з усіма подробицями нашого післяпродажного обслуговування та контактною інформацією містяться в Інтернеті за адресою: www.2helpU.com

Технічні дані

		KD975 TYPE 3	KD985 TYPE 3	KD990 TYPE 3
Вхідна напруга	V_{AC}	230	230	230
Вхідна потужність	P_t	710	800	850
Швидкість без навантаження	об/хв.	0-980	0-980	0-980
Інтенсивність удару	уд/хв.	0-5180	0-5180	0-5180
Енергетика удару	Дж	1,8	2,2	2,4
Максимальна глибина свердління				
Бетон	мм	22	24	26
Сталь	мм	13	13	13
Дерево	мм	30	30	30
Вага	кг	3,4	3,4	3,4

Рівень звукового тиску згідно з EN 60745:

Звуковий тиск (L_{pA}) 96 дБ(A), погрішність (K) 3 дБ(A),
Звукова потужність (L_{WA}) 107 дБ(A), погрішність
звукової потужності (K) 3 дБ(A)

Загальні значення вібрації (векторна сума трьох векторів) згідно з EN 60745:

Ударне свердління бетону ($a_{h,HD}$) 14,9 м/с²,
погрішність (K) 1,5 м/с², довбання ($a_{h,Chaq}$) 9,0 м/с²,
погрішність (K) 1,5 м/с²

Заява про відповідність ЄС ДИРЕКТИВА ДЛЯ МЕХАНІЧНОГО ОБЛАДНАННЯ



KD975/KD985/KD990

Компанія Black & Decker заявляє, що продукти, описані в розділі "Технічні дані" відповідають: 2006/42/EC, EN 60745-1, EN 60745-2-6.

Ці продукти також відповідають Директиві 2004/108/EC і 2011/65/EU. Для отримання додаткової інформації, будь ласка, зверніться до компанії Black & Decker за наступною адресою або прочитайте інформацію на зворотній стороні цього керівництва.

Нижчепідписаний несе відповідальність за упорядкування файлу технічних характеристик та робить цю заяву від компанії Black & Decker.

Кевін Хьюїт
(Kevin Hewitt)
Віце-президент
з глобальних розробок
Black & Decker Europe,
210 Bath Road, Slough,
Berkshire, SL1 3YD
Великобританія
30/06/2014

БЛЕК ЕНД ДЕККЕР

гарантійні умови

Шановний покупцю!

1. Вітаємо Вас з покупкою високоякісного виробу компанії Black & Decker та висловлюємо Вам свою вдячність за Ваш вибір.
- 1.1. Надійна робота цього виробу на протязі всього терміну експлуатації є предметом особливої турботи наших сервісних служб. У випадку виникнення будь-яких проблем в процесі експлуатації виробу ми рекомендуємо Вам звертатися лише до авторизованих сервісних організацій, адреси та телефони яких Ви зможете знайти в Гарантійному талоні або дізнатися в магазині.
Наші сервісні центри – це не тільки кваліфікований ремонт, але і широкий вибір запчастин та аксесуарів.
- 1.2. При купівлі виробу вимагайте перевірки його комплектності та справності за Вашої присутності, наявності інструкції з експлуатації та заповненого Гарантійного талону на українській мові. За умови відсутності у Вас правильно заповненого Гарантійного талону ми будемо вимушені відхилити Ваші претензії щодо якості цього виробу.
- 1.3. Щоб уникнути всіх непорозумінь наполегливо просимо Вас перед початком роботи з виробом уважно ознайомитись з інструкцією щодо його експлуатації.
- 1.4. Звертаємо Вашу увагу на виключно побутове призначення цього виробу.
2. Правовою основою даних гарантійних умов є діюче Законодавство та, зокрема, Закон "Про захист прав споживачів".
3. Гарантійний термін на даний виріб складає 24 місяці та починається з дня продажу через роздрібну торгову мережу. У випадку усунення недоліків виробу гарантійний термін подовжується на період, протягом якого виріб не використовувався.
4. Термін служби виробу - 5 років (мінімальний, встановлений у відповідності до Закону "Про захист прав споживачів").
5. Наші гарантійні зобов'язання поширюються тільки на несправності, виявлені протягом гарантійного терміну та обумовлені виробничими та конструктивними факторами.
6. Гарантійні зобов'язання не поширюються:
 - 6.1. На несправності виробу, що виникли в результаті:
 - 6.1.1. Недотримання користувачем вказівок інструкції з експлуатації виробу.
 - 6.1.2. Механічних пошкоджень, викликаних зовнішнім ударним або іншим впливом.
 - 6.1.3. Використання виробу в професійних цілях та об'ємах, в комерційних цілях.
 - 6.1.4. Застосування виробу не за призначенням.
 - 6.1.5. Стихійного лиха.

- 6.1.6. Неприятливому атмосферному та інших зовнішніх впливах на виріб, таких як дощ, сніг, підвищена вологість, нагрів, агресивні середовища, невідповідність параметрів електромережі параметрам, вказаним на інструменті.
- 6.1.7. Використання аксесуарів, витратних матеріалів та запчастин, які не рекомендовані або не схвалені виробником.
- 6.1.8. Проникнення всередину інструменту сторонніх предметів, комах, матеріалів або речовин, що не є відходами, які супроводжують використання інструменту за призначенням, наприклад, стружки, опилки та ін.
- 6.2. На інструменти, що були відкриті, піддані ремонту або модифікації поза уповноваженим сервісним центром.
- 6.3. На приналежності, запчастини, що вийшли з ладу внаслідок нормального зносу, та витратні матеріали, такі як, приводні ремені, вугільні щітки, ножі, та ін.
- 6.4. На несправності, які виникли в результаті перевантаження інструменту, що призвело до виходу з ладу електродвигуна або інших вузлів та деталей. До безумовних ознак перевантаження виробу належать, зокрема: поява кольорів мінливості, деформація або оплавлення деталей та вузлів виробу, потемніння або обвуглювання ізоляції дротів електродвигуна під впливом високої температури.



Виробник:
"Stanley Black & Decker Deutschland GmbH" Black-&-Decker Str.40, D-65510 Idstein, Німеччина

Kullanım amacı

Black & Decker SDS-Plus pnömatik matkabınız ahşap, metal, plastik ve duvar delme işleri ve ayrıca vida takıp sökme ve basit kırma, keski uygulamaları için tasarlanmıştır. Bu alet sadece hafif hizmet kullanımına yöneliktir.

Genel güvenlik kuralları



Uyarı! Bütün güvenlik uyarılarını ve talimatlarını mutlaka okuyun. Bu talimatların herhangi birisine uyulmaması elektrik çarpması, yangın ve/veya ciddi yaralanma riskine neden olabilir.

Bütün uyarı ve güvenlik talimatlarını ilerde bakmak üzere muhafaza edin. Aşağıda yer alan uyarılardaki “elektrikli alet” terimi şebeke elektrigiyle (kablolu) veya akü/pille (şarjlı) çalışan elektrikli aletinizi ifade etmektedir.

1. Çalışma alanı

- Çalışma alanını temiz ve aydınlık tutun.** Karışık ve karanlık alanlar kazaya davetiye çıkarır.
- Elektrikli aletleri, yanıcı sıvılar, gazlar ve tozların bulunduğu yerler gibi yanıcı ortamlarda çalıştırmayın.** Elektrikli aletler, toz veya dumanları ateşleyebilecek kıvılcımlar çıkarır.
- Bir elektrikli aleti çalıştırırken çocuklardan ve etraftaki kişilerden uzak tutun.** Dikkatinizi dağıtıcı şeyler kontrolü kaybetmenize neden olabilir.

2. Elektriksel güvenlik

- Elektrikli aletlerin fişleri prizlere uygun olmalıdır. Fiş üzerinde kesinlikle hiçbir değişiklik yapmayın. Topraklı elektrikli aletlerde hiçbir adaptör fişi kullanmayın.** Değiştirilmemiş fişler ve uygun prizler elektrik çarpması riskini azaltacaktır.
- Borular, radyatörler, ocaklar ve buzdolapları gibi topraklanmamış yüzeylerle vücut temasından kaçının.** Vücudunuzun topraklanması halinde yüksek bir elektrik çarpması riski vardır.
- Elektrikli aletleri yağmura maruz bırakmayın veya ıslatmayın.** Elektrikli alete su girmesi elektrik çarpması riskini arttıracaktır.
- Elektrik kablosunu uygun olmayan amaçlarla kullanmayın. Elektrikli aleti kesinlikle kablosundan tutarak taşımayın, çekmeyin veya prizden çıkartmayın.** Kabloyu sıcaktan, yağdan, keskin

kenarlardan veya hareketli parçalardan uzak tutun. Hasarlı veya dolaşmış kablolar elektrik çarpması riskini artırır.

- Elektrikli bir aleti açık havada çalıştırıyorsanız, açık havada kullanıma uygun bir uzatma kablosu kullanın.** Açık havada kullanıma uygun bir kablunun kullanılması elektrik çarpması riskini azaltır.
 - Eğer bir elektrikli aletin nemli bir bölgede çalıştırılması zorunluysa, bir artık akım aygıtı (RCD) korumalı bir kaynak kullanın.** Bir RCD kullanılması elektrik şoku riskini azaltır.
- ### 3. Kişisel güvenlik
- Elektrikli bir aleti kullanırken her zaman dikkatli olun, yaptığınız işe yoğunlaşın ve sağduyulu davranın. Elektrikli bir aleti yorgunken veya ilaç ya da alkolün etkisi altındayken kullanmayın.** Elektrikli aletleri kullanırken bir anlık dikkatsizlik ciddi kişisel yaralanmayla sonuçlanabilir.
 - Kişisel koruyucu ekipmanları mutlaka kullanın. Daima koruyucu gözlük takın.** Koşullara uygun toz maskesi, kaymayan güvenlik ayakkabıları, baret veya kulaklık gibi koruyucu donanımların kullanılması kişisel yaralanmaları azaltacaktır.
 - İstem dışı çalıştırılmasını önleyin. Cihazı güç kaynağına ve/veya aküye bağlamadan, yerden kaldırmadan veya taşımadan önce düğmenin kapalı konumda olduğundan emin olun.** Aleti, parmağınızın düşme üzerinde bulunacak şekilde taşımak veya açık konumdaki elektrikli aletleri elektrik şebekesine bağlamak kazaya davetiye çıkarır.
 - Elektrikli aleti açmadan önce tüm ayarlama anahtarlarını çıkartın.** Elektrikli aletin hareketli bir parçasına takılı kalmış bir anahtar kişisel yaralanmaya neden olabilir.
 - Ulaşmakta zorlandığınız yerlerde kullanmayın. Daima sağlam ve dengeli basın.** Bu, beklenmedik durumlarda elektrikli aletin daha iyi kontrol edilmesine olanak tanır.
 - Uygun şekilde giyinin. Bol elbiseler giymeyin ve takı takmayın. Saçınızı, elbiselerinizi ve eldivenlerinizi hareketli parçalardan uzak tutun.** Bol elbiseler ve takılar veya uzun saç hareketli parçalara takılabilir.
 - Eğer kullandığınız üründe toz emme ve toplama özellikleri olan ataşmanlar varsa bunların bağlı olduğundan ve doğru şekilde**

kullanıldığından emin olun. Bu ataşmanların kullanılması tozla ilgili tehlikeleri azaltabilir.

4. Elektrikli aletlerin kullanımı ve bakımı

- a. **Elektrikli aleti zorlamayın. Uygulamanız için doğru elektrikli aleti kullanın.** Doğru elektrikli alet, belirlendiği kapasite ayarında kullanıldığında daha iyi ve güvenli çalışacaktır.
- b. **Düğme açmıyor ve kapatmıyorsa elektrikli aleti kullanmayın.** Düğmeyle kontrol edilemeyen tüm elektrikli aletler tehlikelidir ve tamir edilmesi gerekmektedir.
- c. **Herhangi bir ayarlama, aksesuar değişimi veya elektrikli aletlerin saklanması öncesinde fişi güç kaynağından çekin ve/veya aküyü elektrikli aletten ayırın.** Bu tür önleyici güvenlik tedbirleri aletin istem dışı olarak çalıştırılması riskini azaltacaktır.
- d. **Elektrikli aleti, çocukların ulaşamayacağı yerlerde saklayın ve elektrikli aleti tanımayan veya bu talimatları bilmeyen kişilerin elektrikli aleti kullanmasına izin vermeyin.** Elektrikli aletler, eğitimsiz kullanıcıların elinde tehlikelidir.
- e. **Elektrikli aletleri iyi durumda muhafaza edin. Hareketli parçalardaki hizalama hatalarını ve tutuklukları, parçalardaki kırılmalar ve elektrikli aletin çalışmasını etkileyebilecek tüm diğer koşulları kontrol edin. Hasarlı ise, elektrikli aleti kullanmadan önce tamir ettirin.** Kazaların çoğu, elektrikli aletlerin bakımının yeterli şekilde yapılmamasından kaynaklanır.
- f. **Kesim aletlerini keskin ve temiz tutun.** Bakımı uygun şekilde yapılmış keskin kesim uçlu kesim aletlerinin sıkışma ihtimali daha düşüktür ve kontrol edilmesi daha kolaydır.
- g. **Elektrikli aleti, aksesuarlarını ve aletin diğer parçalarını kullanırken bu talimatlara mutlaka uyun ve çalışma ortamının koşullarını ve yapılacak işin ne olduğunu göz önünde bulundurun.** Elektrikli aletin öngörülen işlemler dışındaki işlemler için kullanılması tehlikeli durumlara neden olabilir.

5. Servis

- a. **Elektrikli aletinizin bakımını, sadece aynı yedek parçaları kullanan yetkili bir tamir servisine yaptırın.** Bu, elektrikli aletin güvenliğinin muhafaza edilmesini sağlayacaktır.

Elektrikli el aletleri için ek güvenlik talimatları



Uyarı! SDS-Plus Pnömatik matkaplar için ek güvenlik talimatları.

- ◆ **Kulaklık takın.** Yüksek sese maruz kalmak işitme kaybına yol açabilir.
- ◆ **Aletle birlikte verilmiş olan yardımcı tutma kollarını kullanın.** Kontrol kaybı kişisel yaralanmalara neden olabilir.
- ◆ **Kesme aksesuarının gizli kabloları veya kendi kablosuna temas edebileceği yerlerde çalışma yaparken elektrikli aleti yalıtımlı kavrama yüzeylerinden tutun.** Kesme aksesuarının "akım taşıyan" bir kabloya temas etmesi durumunda metal kısımları da "akım taşıyıcı" hale gelecek ve operatörün çarpılmasına yol açacaktır.
- ◆ Hiçbir zaman dönme konumunda kırıcı uç kullanmayın. Aksesuar malzeme içinde sıkışacak ve pnömatik matkabı döndürecektir.
- ◆ Üzerinde çalıştığınız parçayı sabitlemek ve desteklemek için kelepçeler veya başka pratik yöntemler kullanın. Parçayı elle veya vücudunuza dayamanız dengelessiz durmasına neden olacaktır ve aletin kontrolünü kaybetmenize yol açabilir.
- ◆ Duvar, zemin veya tavanda delik açmadan önce kablo ve boruların konumunu kontrol edin.
- ◆ Delme işleminin hemen ardından matkap ucuna dokunmaktan kaçının; sıcak olabilir.
- ◆ Kullanım amacı bu kullanım kılavuzunda açıklanmıştır. Herhangi bir aksesuarın veya bağlantının ya da işlemin, bu kılavuzda tavsiye edilen şekilden başka bir şekilde kullanılması şahısların yaralanmalarına ve/veya mal kaybına yol açabilir.

Diğer kişilerin güvenliği

- ◆ Bu alet fiziksel ve zihinsel kapasitesinin yanı sıra algılama gücü azalmış olan veya yeterince deneyim ve bilgisi bulunmayan kişiler (çocuklar dahil) tarafından kullanılmak üzere üretilmemiştir. Bu tür kişiler aleti ancak güvenliklerinden sorumlu bir kişi tarafından cihazın kullanımıyla ilgili talimatların verilmesi veya sürekli kontrol altında tutulması durumunda kullanabilir.
- ◆ Çocuklar, aletle oynamalarının önlemek amacıyla kontrol altında tutulmalıdır.

Titreşim

Teknik veriler ve uygunluk beyanati içerisinde belirtilen titreşim emisyon değerleri EN60745 tarafından belirlenen standart bir test yöntemine uygun olarak ölçülmektedir ve diğer bir aletle karşılaştırma yaparken kullanılabilir. Beyan edilen titreşim emisyon değeri aynı zamanda maruz kalmanın önceden değerlendirilmesinde de kullanılabilir.

TÜRKÇE

Uyarı! Elektrikli aletin mevcut kullanımını sırasındaki titreşim emisyon değeri, aletin kullanım yöntemine bağlı olarak, beyan edilen değere göre farklılık sergileyebilir. Titreşim düzeyi belirlenen seviyenin üzerinde artış gösterebilir.

İşyerinde düzenli olarak elektrikli alet kullanan çalışanları korumak amacıyla 2002/44/EC tarafından getirilen elektrik güvenliği önlemlerini belirlemek üzere titreşime maruz kalmayı değerlendirirken, çalışma döngüsü içerisinde örneğin aletin kapalı olduğu ve aktif durumda olmasının yanı sıra boşta çalıştığı zamanlar gibi, bütün zaman dilimleri dahil olmak üzere mevcut kullanım durumu ve aletin kullanım şekli göz önünde bulundurularak değerlendirilmelidir.

Alet üzerindeki etiketler

Alet üzerinde, aşağıdaki uyarı sembolleri bulunmaktadır:



Uyarı! Yaralanma riskini en aza indirmek için kullanıcı kullanım talimatlarını mutlaka okumalıdır.

Elektrik güvenliği



Bu alet çift yalıtımlıdır. Bu yüzden hiçbir topraklama kablosuna gerek yoktur. Her zaman şebeke geriliminin aletin üretim etiketinde belirlenmiş değerlere uyup uymadığını kontrol edin.

- ◆ Elektrik kablosu hasarlı ise, bir tehlike oluşmasını önlemek için üretici ya da yetkili Black & Decker Servis Merkezi tarafından değiştirilmelidir.

Özellikler

Bu alet, aşağıdaki özelliklerin bir kısmını veya tümünü içermektedir.

1. Değişken hız ayarlı tetik
2. Kesintisiz çalıştırma düğmesi
3. İleri/geri düğmesi
4. Değişken hız kontrol düğmesi
5. Delme modu seçicisi
6. Uç tutucu
7. Yan kol
8. Derinlik çubuğu

Montaj

Uyarı! Montajdan önce aletin kapalı ve fişinin çekilmiş olduğundan emin olun.

Yan kol ve derinlik çubuğunun takılması (Şekil A)

- ◆ Tutamağı, yan kol (7) resimde gösterildiği gibi aletin ön kısmının üzerine kaydırılabilir duruma gelene kadar saatin ters yönünde çevirin.

- ◆ Yan kolu istediğiniz konuma çevirin.
- ◆ Derinlik çubuğunu (8) resimde gösterildiği gibi montaj deliğine takın.
- ◆ Derinlik çubuğunu istediğiniz konuma ayarlayın. Maksimum delme derinliği, matkap ucunun uç kısmı ile derinlik çubuğunun ön ucu arasındaki mesafeye eşittir.
- ◆ Tutamağı saat yönünde çevirerek yan kolu sıkın.

Aksesuar takılması (Şekil B)

- ◆ Aksesuarın sapını (9) temizleyip yağlayın.
- ◆ Manşonu (10) geri çekip sapı uç tutucunun (6) içine sokun.
- ◆ Aksesuarı aşağı bastırın ve yuvaların içine oturana kadar hafifçe çevirin.
- ◆ Uygun şekilde kilitleyip kilitlemediğini kontrol etmek için aksesuarı çekin. Darbeleme fonksiyonu, aksesuarın uç tutucuya kilitlendikten sonra yukarı aşağı birkaç santimetre hareket edebilmesini gerektirir.
- ◆ Aksesuarı çıkartmak için, manşonu (10) geri çekin ve aksesuarı çekip çıkartın.

KD985/KD990 - Anahtarlı mandrenin takılması (Şekil C)

- ◆ Ürünle birlikte verilmiş olan mandrenin (12) sapını (11) aşağıda açıklandığı gibi uç tutucuya takın.

Uyarı! Darbeli delme modunda kesinlikle mandren kullanmayın.

KD985/KD990 - Anahtarlı mandrene aksesuar takılması (Şekil D)

- ◆ Manşonu (13) çevirerek mandreni açın.
- ◆ Uçun sapını (14) mandrenin içine yerleştirin.
- ◆ Mandren anahtarını (15) mandrenin yan tarafındaki her bir deliğe (16) sokup sıkışana kadar çevirin.

Diğer tehlikeler.

Cihazın kullanımıyla ilgili ekte sunulan güvenlik uyarılarına dahil olmayan ilave kalıcı riskler ortaya çıkabilir. Bu riskler, hatalı, uzun süreli kullanım vb. dolayısıyla ortaya çıkabilir.

Emniyet tedbirlerini düzenleyen yönetmeliğin uygulanmasına ve emniyet sağlayıcı aygıtların kullanılmasına rağmen, başka belirli risklerden kaçınılamaz. Bunlar:

- ◆ **Aletin dönen ve hareket eden parçalarına dokunma sonucu ortaya çıkan yaralanmalar.**
- ◆ **Herhangi bir parçayı, bıçak veya aksesuarı değiştirirken ortaya çıkan yaralanmalar.**
- ◆ **Aletin uzun süreli kullanılması sonucu ortaya çıkan yaralanmalar. Herhangi bir**

aleti uzun sürelerle kullanacaksanız düzenli olarak çalışmanıza ara verin.

- ◆ Duyma bozukluğu.
- ◆ Aleti kullanırken ortaya çıkan tozun solunması sonucu ortaya çıkan sağlık sorunları (örnek: ahşapta, özellikle meşe, kayın ve MDF).

Kullanımı

Uyarı! Aletin kendi hızında çalışmasına izin verin. Aşırı yüklenmeyin.

Uyarı! Duvar, zemin veya tavanda delik açmadan önce kablo ve boruların konumunu kontrol edin.

Çalışma modunun seçilmesi (Şekil E)

Alet üç çalışma modunda kullanılabilir: Delme modu seçicisini (5) sembollerle gösterildiği şekilde gerekli konuma çevirin.

Delme

- ◆ Çelik, ahşap ve plastiği delmek ve vida takıp sökmek için çalışma modu seçicisini (5) **1** konumuna getirin.
- ◆ Vida takıp sökarken düşük hızda başlayın. Vidaları çıkartırken, hız otomatik olarak düşecektir.

Darbeli delme

- ◆ Duvar ve betonda darbeli delme için çalışma modu seçicisini (5) **T1** konumuna getirin
- ◆ Darbeli delme sırasında, alet sağa sola kaymamalı ve düzenli çalışmalıdır. Gerekirse hızı arttırın.

Kırma

- ◆ Mil kilidi ile kırma ve kesikleme işleri için çalışma modu seçicisini (5) **T** konumuna getirin.
- ◆ İleri/geri düğmesinin ileri konumunda olduğundan emin olun.
- ◆ Darbeli delmeden kırıcı moduna geçmek için keskiyi istediğiniz konuma çevirin. Mod değişimi sırasında direnç hissederseniz, mil kilidini devreye sokmak için keskiyi hafifçe çevirin.

Dönme yönünün seçilmesi

Delik açma, vida sıkma ve keski uygulamaları için ileri (saat yönünde) dönmeyi kullanın. Vidaları gevşetmek veya sıkışmış bir matkap ucunu çıkartmak için geri (saatin ters yönünde) dönmeyi kullanın.

- ◆ İleri dönmeyi seçmek için ileri/geri sürgüsünü (3) sola itin.
- ◆ Geri dönmeyi seçmek için ileri/geri sürgüsünü sağa itin.

Uyarı! Dönme yönünü kesinlikle motor çalışır durumdayken değiştirmeyin.

Delme derinliğinin ayarlanması (Şekil F)

- ◆ Tutamağı saatin ters yönünde çevirerek yan kolu (7) gevşetin.
- ◆ Derinlik çubuğunu (8) istediğiniz konuma ayarlayın. Maksimum delme derinliği, matkap ucunun uç kısmı ile derinlik çubuğunun ön ucu arasındaki mesafeye eşittir.
- ◆ Tutamağı saat yönünde çevirerek yan kolu sıkın.

Açılması ve kapatılması

- ◆ Aleti açmak için, değişken hız düğmesine (1) basın. Aletin hızı, düğmeye ne kadar bastığınıza bağlıdır. Değişken hız kontrol düğmesini (4) gerekli hız aralığına getirin.
- ◆ Devir 1-6 sadece kısa süreli olarak kullanılmalıdır.
- ◆ Genel kural olarak, büyük çaplı uçlar için düşük hız, küçük çaplı uçlar içinse yüksek hız seçin.
- ◆ Sürekli çalışması için kesintisiz çalışma düğmesine (2) basın ve değişken hız düğmesini bırakın. Bu seçenek sadece ileri (saat yönünde) dönme için geçerlidir.
- ◆ Aleti kapatmak için, değişken hız düğmesini bırakın. Kesintisiz çalışma konumundayken aleti kapatmak için değişken hız düğmesine bir kez daha basın ve bırakın.

Aksesuarlar

Aletinizin performansı kullanılan aksesuara bağlıdır. Black & Decker ve Piranha aksesuarları, yüksek kalite standartlarına göre üretilmiş ve aletinizin performansını arttıracak şekilde tasarlanmıştır. Bu aksesuarları kullanarak, aletinizden en iyi verimi alacaksınız.

Bakım

Black & Decker elektrikli/şarjlı aletiniz minimum bakımla uzun bir süre çalışacak şekilde tasarlanmıştır. Kesintisiz olarak memnuniyet verici bir şekilde çalışması alete gerekli özenin gösterilmesine ve düzenli temizliğe bağlıdır

Uyarı! Elektrikli/şarjlı alet üzerinde herhangi bir bakım işlemi gerçekleştirmeden önce:

- ◆ Aleti kapatın ve fişten çekin
- ◆ Ya da aletin çıkartılabilir aküsü varsa; aleti kapatın ve aküyü aletten çıkartın.
- ◆ Ya da aletin dahili aküsü varsa, bitene kadar çalıştırın ve sonra kapatın.
- ◆ Şarj cihazını temizlemeden önce fişten çekin. Şarj cihazınız, düzenli temizlik dışında herhangi bir bakım gerektirmemektedir.

TÜRKÇE

- ◆ Aletinizdeki ve şarj cihazındaki havalandırma deliklerini yumuşak bir fırça veya kuru bir bezle düzenli olarak temizleyin.
- ◆ Motor muhafazasını düzenli olarak nemli bir bezle silin. Aşındırıcı veya çözücü bazlı temizleyiciler kullanmayın.
- ◆ Mandreni düzenli olarak tamamen açın ve içindeki tozu dökmek için hafifçe vurun (mandren alete takılıysa).

Çevrenin korunması



Ayrı olarak atın. Bu ürün, normal evsel atıklarla birlikte atılmamalıdır.

Black & Decker ürününüzün değiştirilmesi gerektiğini düşünmeniz veya artık kullanılamaz durumda olması halinde onu, evsel atıklarla birlikte atmayın. Bu ürünü, ayrı olarak toplanacak şekilde atın.



Kullanılmış ürünlerin ve ambalajların ayrı olarak toplanması bu maddelerin geri dönüşüme sokularak yeniden kullanılmasına olanak tanır. Geri dönüşümlü maddelerin tekrar kullanılması çevre kirliliğinin önlenmesine yardımcı olur ve ham madde ihtiyacını azaltır.

Yerel yönetmelikler, elektrikli ürünlerin evlerden toplanıp belediye atık tesislerine aktarılması veya yeni bir ürün satın alırken perakende satıcı tarafından toplanması yönünde hükümler içerebilir.

Black & Decker, hizmet ömrünün sonuna ulaşan Black & Decker ürünlerinin toplanması ve geri dönüşüme sokulması için bir imkan sunmaktadır. Bu hizmetin avantajlarından faydalanmak için, lütfen, ürününüzü bizim adımıza teslim alacak herhangi bir yetkili onarım acentesine iade edin.

Bu kılavuzda belirtilen listeden size en yakın yetkili tamir servisinin yerini öğrenebilirsiniz. Ya da, alternatif olarak internet'ten Black & Decker yetkili tamir servislerinin listesini ve satış sonrası hizmetlerimizle ilgili tüm bilgiler ve temas bilgilerine aşağıdaki site-den ulaşabilirsiniz: www.2helpU.com

Teknik veriler

		KD975	KD985	KD990
		TYPE 3	TYPE 3	TYPE 3
Giriş voltajı	V _{AC}	230	230	230
Giriş gücü	W	710	800	850
Yüksüz hızı	dev/dak.	0-980	0-980	0-980
Darbe oranı	darbe/dak.	0-5180	0-5180	0-5180
Tek darbe gücü	J	1,8	2,2	2,4
Maks. delme kapasitesi				
Beton	mm	22	24	26
Çelik	mm	13	13	13
Ahşap	mm	30	30	30
Ağırlık	kg	3,4	3,4	3,4

EN 60745'e göre ses basıncı düzeyi:

Ses basıncı (L_{PA}) 96 dB(A), belirsizlik (K) 3 dB(A),
Akustik güç (L_{WA}) 107 dB(A), belirsizlik (K) 3 dB(A)

EN 60745'e uygun olarak titreşim toplam değerleri (triaks vektör toplamı):

Betonda darbeli delme (a_{h,10}) 14,9 m/s², belirsizlik (K) 1,5 m/s², Keski ile kesme (a_{h,Cheq}) 9,0 m/s², belirsizlik (K) 1,5 m/s²

AT uygunluk beyanati MAKİNE DİREKTİFİ



KD975/KD985/KD990

Black & Decker, "teknik veriler" bölümünde açıklanan bu ürünlerin 2006/42/EC, EN 60745-1, EN 60745-2-6 normlarına uygun olduğunu beyan eder.

Bu ürünler aynı zamanda Direktif 2004/108/EC ve 2011/65/EU ile de uyumludur. Daha fazla bilgi için, lütfen aşağıdaki adresten Black & Decker ile irtibata geçin veya kılavuzun arkasına bakın.

Bu belge altında imzası bulunan yetkili, teknik dosyanın derlenmesinden sorumludur ve bu beyanı Black & Decker adına vermiştir.

Kevin Hewitt

Başkan Yardımcısı,
Global Mühendislik

Black & Decker Europe,
210 Bath Road, Slough, Berkshire,
SL1 3YD İngiltere
30/06/2014

Garanti

Black & Decker, ürünün kalitesinden emindir ve bu yüzden kanunlarda belirtilen taleplerin üstünde bir garanti verir. Ayrıca bu garanti hiçbir şekilde garanti ile ilgili kanuni haklarınızı ihlal etmez ve haklarınızı hiç bir şekilde kısıtlamaz. İşbu garanti Avrupa Birliği'ne üye ülkeler ile Avrupa Serbest Ticaret Bölgesi sınırları dahilinde geçerlidir.

Eğer bir Black & Decker ürünü, satın alma tarihinden itibaren 24 ay içinde hatalı malzeme ve işçilik nedeniyle bozulursa, müşteriye mümkün olabilecek en az sorunu yaşatarak Black & Decker hatalı kısımları değiştirmeyi, adil bir şekilde aşınmış ve yıpranmış ürünleri tamir etmeyi veya değiştirmeyi garanti eder. Ancak bu belirtilenler şu durumlar dışında geçerlidir:

- ◆ Ürün ticari veya profesyonel amaçlarla kullanılmışsa veya kiraya verilmişse;
- ◆ Ürün yanlış veya amaç dışı kullanılmışsa;
- ◆ Ürün yabancı nesnelere, maddelere veya kaza sırasında zarar görmüşse;
- ◆ Yetkili tamir servisleri veya Black & Decker servis ekibinden başkası tarafından tamir edilmeye çalışılmışsa.

Garanti talebinde bulunmak için, satıcıya veya yetkili tamir servisine satın aldığınıza dair ispat sunmalısınız. Fatura ve garanti kartı gerekmektedir. Bu kullanım kılavuzunda belirtilen listeden size en yakın yetkili servis adresini öğrenebilirsiniz. Ya da, İnternet'ten Black & Decker yetkili tamir servislerinin listesini ve satış sonrası hizmet veren yetkililerin tam detaylarını öğrenebilirsiniz. Bu site: www.2helpU.com

Sanayi ve Ticaret Bakanlığı tebliğince kullanım ömrü 10 yıldır.

Türkiye Distribütörü

KALE HIRDAVAT VE MAKİNA A.Ş.
Defterdar Mah. Savaklar Cad. No. 15
34050 Edirnekapı Eyüp İstanbul
Tel: (0212) 533 52 55 (Pbx)
Faks: (0212) 533 10 05
E-posta: info@kalemakina.com

TÜRKÇE

Şehir	Yetkili Servis	Adres	Telefon
1 Adana	Emin Elektrik Bobinaj	Kızılay Cad. 9 Sok. No: 9/D	0322 351 80 46
2 Afyon	Emek Motor	Karaman Mah. Gazlı Göl Cad. No: 15	0272 212 11 14
3 Ağr	Tamgüç Bobinaj	Kağızman Cad. No: 42	0472 215 70 41
4 Amasya	Akotelek Ticaret	Yeniyoıl Cad. No: 85	0358 218 71 19
5 Ankara	Orhan Bobinaj	Yalıncı Sok. No: 17 Sitelere	0312 350 95 29
6 Ankara	Orhan Bobinaj Şube	41. Sok. No: 39 Ostım	0312 385 92 92
7 Ankara	Yığıt Bobinaj	668. Sok. No: 8 Emlınel Koop. İvedık Ostım	0312 395 05 37
8 Ankara	Başak Elektrık	Ahıevran Cad. 36. sok. No: 2 Ostım	0312 386 20 84
9 Antalya	E.B.A Elektrık	San. Sıt. 682. Sok No: 38	0242 345 36 22
10 Antalya	Yaşar Bobinaj	Aşağı Pazarcı Mah. San. Gırışı No: 19 Manavgat	0242 742 44 07
11 Antalya	Uslu Bobinaj	G. Pınarı Mah. Oba Yolu Üzerı no: 27/C Alanya	0242 511 57 01
12 Aydın	Tacırođlu Kaya Bobinaj	1.San. Sıt. Üst San. Cad. 2. Sok. No: 31/A	0256 212 70 48
13 Aydın	Saydam Motor	Küçük San. Sıt. Çubukçu Sok. No: 2/B Söke	0256 512 81 91
14 Aydın	Özgür Bobinaj	Kuşadadı San. Sıt. j Blok no:13 Kuşadadı	0256 622 1373
15 Aydın	Ege Bobinaj	Yeni Mah Atatürk Bul. No:206/E Didım	0256 811 05 95
16 Balıkesır	Tezger Bobinaj	Yeni San. Sıt. Cumhuriyet Cad. 198/A	0266 246 23 01
17 Balıkesır	Küre Bobinaj	Atatürk Cad. No: 104 Bandırma	0266 718 46 79
18 Batman	Topız Bobinaj	Cumhuriyet Cad. 1512 Sok. No: 50	0488 214 87 70
19 Bolu	Kılıçtı Ticaret	Aşağı Soku San. Sıt. 37.Blok No:16	0374 215 43 64
20 Bursa	Vokart Ltd. Şti.	Gazlılar Cad. Eriklı Bahçe Sok. No: 7/B	0224 254 48 75
21 Çanakkale	Kısacık Bobinaj	Namık Kemal Mah. Kaynak Sok. No: 41	0286 217 96 71
22 Çanakkale	Ovalı Bobinaj	Hamdibey Mah. İstiklal Cad. No: 160 Biga	0286 316 49 66
23 Çorum	Emek Bobinaj	Küçük San. Sıt. 23. Cad No: 5/C	0364 234 68 84
24 Denizli	Örsler Bobinaj	Sedef Çarşısı 9/10	0258 261 42 74
25 Diyarbakır	Çetsan Elektrık	San. Sıt. Karakol Sok. No: 1	0412 237 29 04
26 Düzce	Yıldız Makına	Burhaniye Mah. Gen. Kazım Sok. No: 10	0380 514 70 56
27 Edirne	Efe Bobinaj	Küçük San. Sıt. 22. Blok	0284 225 35 73
28 Edirne	Demir Bobinaj	San. Sıt. 7. Blok No: 3 Keşan	0284 714 38 26
29 Elazığ	Kalender Elektrık Bobinaj	San. Sıt. 11. Sok No: 46	0424 224 85 01
30 Erzurum	Ümit Elektrık Makına	San. Çarşısı 770 Sok. No: 71	0446 224 08 01
31 Erzurum	Bursan Bobinaj	San. Sıt. 5. Blok No: 135	0442 242 77 28
32 Eskişehir	Escorm Elektrık	Kırımız Toprak Mah. Ali Fuat Güven Cad. No 31/A	0222 224 15 30
33 Gaziantep	Eser Bobinaj	K.S.S.A Blok 11. Cad.25. Ada No: 55 Ş.Kamıl	0342 235 30 84
34 Gaziantep	Karağahın Bobinaj	İsmet Paşa Mah. Şenyurt Cad. No: 35	0342 231 17 93
35 Hatay	Öz Kardeş Bobinaj	Yeni San. Sıt. 38/A Blok No: 34	0326 221 22 91
36 İsparta	İzmir Bobinaj	Yeni San. Sıt. 6 Blok No: 28	0246 223 70 11
37 İstanbul	Akel El. Servis Hizmetleri	Nato Yolu Caddesi Özgün Sok. No: 1 Y.Dudulu	0216 540 53 55
38 İstanbul	Birik Elektromekanik	Perpa Tic. Mer. B Blok Mavi Avlu Kat.4 No: 318 Okmeydanı	0212 222 94 18
39 İstanbul	Fırat Dış Ticaret	Tersane Cad. Kuthan No: 38 Kat 3 Karaköy	0212 252 93 43
40 İstanbul	Kardeşler Bobinaj	Çağlayan Mah. Sinanpaşa Cad.No: 5 Çağlayan	0212 224 97 54
41 İstanbul	Mert Elektrık	İkıtelli Org. Demirciler San. Sıt. D-2 Blok No: 280 İkıtelli	0212 549 65 78
42 İstanbul	Svs Teknik	İstasyon Cad. Gıbtaş San. Sıt. F Blok No: 24 Tuzla	0216 446 69 39
43 İstanbul	Tanık Makına	Bağdat Cad. Adalı Sok. No: 8 Maltepe	0216 441 05 59
44 İstanbul	Tekniker Bobinaj	Birik San. Sıt. 1. Cad. K.Dükkanlar No: 15 Beylikdüzü	0212 875 17 78
45 İstanbul	Orjinal Elektrık	Bağlar Mah. Mimar Sinan Cad. No:24 Güneşli	0212 515 67 71
46 İzmir	Birik Bobinaj	2824 Sok. No: 18/1. San. Sıt. Halkapınar	0232 458 39 42
47 İzmir	Boro Cıvata	1203/2 Sok. No: 21-B Yenışehir	0232 469 80 70
48 İzmir	Çüneyt Bobinaj	Cüneyt Bey Mah. İbrahim Turan Cad. No 98/A Menderes	0232 782 10 84
49 İzmir	Doruk Hırdavat	1426 Sok. No: 14 Hurdacılar Sitesi Doğanlar Bornova	0232 478 14 12
50 Karaman	Özüm Elektrık Bobinaj	Yeni San. Sıt. 735. Sok. No: 2	0338 212 32 69
51 Kastamonu	Teknik Bobinaj	İnönü Mah. İnebolu Cad. No: 132	0366 212 62 26
52 Kayseri	Akın Elektrık Bobinaj	Eski San. Bölgesi 5. Cad. No: 8	0352 336 41 23
53 Kırklareli	Tanık Elektrık	K.İbrahim Mah. M.Kemal Bulvarı No: 72/C	0288 214 19 72
54 Kırklareli	Yalıncı Bobinaj	Yeni San. Sıt. C3 Blok No:55 Lüleburgaz	0288 412 41 97
55 Kocaeli	Efe Elektrık Bobinaj	Körfez San. Sıt. 12. Blok No: 13	0262 335 18 94
56 Kocaeli	Gülsöy Bobinaj	S.Orhan Mah. İlyasbey Cad.1111 Sk No: 5/1 Gebze	0262 646 92 49
57 Kocaeli	Teknik Karot	Gaziler Mah. İbrahimaga Cad. No:125 Gebze	0262 642 79 10
58 Konya	Meb. Murat Elk. Bobinaj	Karatay San. Sıt. Fatih Mah. Çiçekli Sok. No: 10	0332 235 64 63
59 Konya	Sözenerler Bobinaj	Fevzi Çakmak Mah. Komsan İş Merkezi Anamur 10562 Sok. No:8	0332 342 63 18
60 Kütahya	Doğan Bobinaj	Yeni San. Sıt. 19. Sok: 28/1	0274 231 22 00
61 Malatya	Özer Bobinaj	Yeni San. Sıt. 2. Cad. No: 95	0422 336 39 53
62 Manisa	Çavuş Bobinaj	Kurtuluş Mah. Fatih Cad. No: 44/A Soma	0236 614 13 78
63 Manisa	Üslu Bobinaj Ve Makına	Güzelyurt Mah. Kenan Evren San. Sıt. 5309 Sok. No: 63/A	0236 236 33 86
64 Mersin	Şekerler Elektrık Bobinaj	Nusratiye Mah. 5005 Sok. No: 20/A	0324 336 70 98
65 Mersin	Üniversal Bobinaj	Nusratiye Mah. Çiftçiler Cad.68 Sok. No: 19	0324 233 44 29
66 Muğla	Bodrum Makına	Türkuyusu Mah.San. Sıt. Ethem Demiroz Sok. No: 8 Bodrum	0252 316 28 51
67 Muğla	General Elektrık Bobinaj	Taşyaka Mah. San. Sıt. 260. Sok. No: 18 Fethiye	0252 612 38 34
68 Muğla	Başaran Teknik	Beldibi Cad. Sanayi Gırışı No: 5/C Marmaris	0252 419 20 29
69 Muğla	Öztürk Bobinaj	Atakent Mah. Çevreyolu Üzeri Dalaman	0252 697 64 98
70 Nevşehir	Çiftçü Soğutma	Yeni San. Sıt. 8. Blok No: 28	0384 213 19 96
71 Niğde	Emek Motor	Eski San. Çarşısı 1.Blok No: 2	0388 232 83 59
72 Sakarya	Ençin Elektrık Bobinaj	Maltepe Mah. Orhan Gazi Cad. Şehit Metin Akkuş Sok. No: 19	0264 291 05 67
73 Samsun	Akış Bobinaj	Ulus Cad.San. Sıt. Keresteciler Kısmı No: 40	0362 238 07 23
74 Sivas	Bayraktar Elektrık	Yeni Çarşı No: 72/C	0346 221 47 55
75 Şanlıurfa	Ay Elektrık	Samsat Kapı Aşaröđlu Garajı No: 19	0414 215 74 76
76 Tekirdağ	Birkan Teknik	Şeyhsinan Mah. Ş.Pilot.İ.Aksoy Sok. Aksoy Psj. No: 20/7-B ÇORLU	0282 654 50 91
77 Tekirdağ	Çetin Elektrık Bobinaj	100.Yıl San. Sıt. 14B Blk. No: 10	0282 263 86 60
78 Tokat	Çetin Elektrık Bobinaj	San. Sıt. Camii Altı No: 22	0356 214 63 07
79 Trabzon	Akçay Bobinaj Makına	Yaylaçık Mah.Tosun San Sıt No: 3 Akçaabat	0462 227 54 26
80 Trabzon	Makına Market	Rize Cad. No: 71 Değirmendere	0462 328 14 80
81 Uşak	Zengin Bobinaj	İsıce Mah. Ürem Sok. No: 10/C	0276 227 27 46
82 Van	Özen Elektrık Bobinaj	Algeçik Pasajı No: 41	0432 214 22 20
83 Yalova	Deniz El. Ser. Hizmetleri	Hürriyet Mah. Eski Bursa Cad. No: 39 Altınova	0226 461 22 43
84 Zonguldak	Genel Elektromotor	Çınarpete Mah.T.T.K 69 Ambarları 4. Kısm	0372 268 08 64
85 Zonguldak	Tümen Makına	Kışla Sanayi Sıt. D Blok No: 17 Kdz.Ereğli	0372 323 74 97

KALE HIRDAVAT VE MAKİNA A.Ş. SERVİS MÜDÜRLÜĞÜ TEL. 0212 533 98 34

BLACK & DECKER JÓTÁLLÁSI JEGY ÉS JÓTÁLLÁSI FELTÉTELEK

Gratulálunk Önnek ennek az értékes Black & Decker készülék megvásárlásához.

Azon termékeinkre, amelyet fogyasztói szerződés keretében háztartási, hobby célra vásárolnak **24 hónap jótállást vállalunk**.

A termék iparszerű használatra nem alkalmas!

A jótállás a fogyasztó jogszabályból eredő jogait nem érinti.

- 1) A Stanley Black & Decker Hungary Kft. a jótállás, kellek- és termékszavatosság keretében végzett javításokat vagy a termék kicserélését 19/2014. (IV.29.) NGM rendelet és a 151/2003. (IX.22.) Kormányrendelet szerint végzi a jótállási idő, illetve a kellek- és termékszavatossági jogok érvényesíthetőégének teljes időtartama alatt.
 - a) A fogyasztó jótállási igényét a jótállási jeggyel érvényesítheti, ezért kérjük azt őrizze meg.
 - b) Vásárláskor a forgalmazónak (kereskedőnek) a jótállási jegyben fel kell tüntetnie a fogyasztási cikk azonosításra alkalmas megnevezését, típusát, gyártási számát, továbbá – amennyiben van ilyen – azonosításra alkalmas részének meghatározását, illetve a fogyasztó részére történő átadásának időpontját. A jótállási jegyet a forgalmazó (kereskedő) nevében eljáró személynek alá kell írnia és a kereskedés azonosítására alkalmas tartalmú (minimum cégnev, üzlet címe) bélyegzővel olvashatóan le kell bélyegezni. Kérjük, kísérfje figyelemmel a jótállási jegy megfelelő érvényesítését, mivel a kijelölt szervizeknél a jótállási igény csak érvényes jótállási jeggyel érvényesíthető. Amennyiben a jótállási jegy szabálytalanul került kiállításra, jótállási igényével kérjük forduljon a termékhez az Ön részére értékesítő partnerünkhöz (kereskedőhöz). A jótállási jegy szabálytalan kiállításra vagy a fogyasztó rendelkezésére bocsátás elmaradása nem érinti a jótállási érvényességét. Kérjük, hogy a jótállási jegyben kívül a nyugtát vagy számlát is szíveskedjen megőrizni a gyorsabb és hatékonyabb ügyintézés érdekében, mert a szerződés megkötése az ellenérték megfizetését igazoló bizonylattal is bizonyítható.
 - c) Elvesztett jótállási jegyet csak a fogyasztói szerződés létrejöttét igazoló nyugta vagy számla ellenében tudunk pótolni!
- 2) **Nem terjed ki a jótállás:**
 - a) amennyiben a hiba oka rendeltetésellenes, illetve a mellékelt magyar nyelvű használati kezelési útmutatóban foglaltaktól eltérő használat, átalakítás, szakszerűtlen kezelés, helytelen tárolás, elemi kár vagy egyéb a vásárlás után a fogyasztó érdekkörében keletkezett ok miatt következik be;
 - b) amennyiben a terméket iparszerű (professzionális) célokra használták, kölcsönzési szolgáltatás nyújtásához használták fel (nem fogyasztói szerződés);
 - c) azon alkatrészekre, amelyek esetében a meghibásodás a jótállási időn belüli rendeltetéseszerű használat mellett következett be (igy különösen: fűrészlánc, fűrészlap, gyalukés, meghatószij, csapágyak, szénkefe, csillagkerék);
 - d) a készülék túlterhelése miatt jelentkező hibákra, amelyek a hajtómű meghibásodásához, vagy egyéb ebből adódó károkhöz vezetnek;
 - e) a termék nem hivatalos szervizben történt javításából eredő hibákra;
 - f) az olyan károsodásokra, amelyek nem eredeti Black & Decker kiegészítő készülékek és tartozékok használatából adódnak amennyiben a szakszerviz bizonyítja, hogy a hiba a fenti okok valamelyikére vezethető vissza.
- 3) A fogyasztó a kijavítás vagy csere iránti igényét a jótállási időn belül a kereskedőnél, illetve kijavítás iránti igényét a jótállási jegyben feltüntetett javítószolgálatnál is érvényesítheti.

Termékszavatossági igényét kérjük a jótállási jegyben feltüntetett gyártónak vagy forgalmazónak szíveskedjen bejelenteni.

- a) Nem számít bele a jótállási időbe a kijavítási időnek az a része, amely alatt a fogyasztó a terméket nem tudta rendeltetéseszerűen használni.
 - b) A terméknek a kicseréléssel vagy kijavítással érintett részére a jótállási idő újból kezdődik.
 - c) Ha a fogyasztási cikk a vásárlástól (üzembe helyezéstől) számított három munkanapon belül meghibásodik, a fogyasztó ezen időtartamon belül kérheti annak kicserélését feltéve, hogy a meghibásodás a rendeltetéseszerű használatot akadályozza. A hiba fennállásának, vagy a rendeltetéseszerű használatot akadályozó mérték megállapításához a kereskedő kérheti a szakszerviz közreműködését.
 - d) Amennyiben a jótállási igény bejelentését követően a kereskedő az igény teljesíthetőségéről azonnal nem tud nyilatkozni, úgy öt munkanapon belül kell értesítenie a fogyasztót az álláspontról.
 - e) Ha a kijavítás vagy a csere nem lehetséges, a fogyasztó választása szerint műszakilag és értékben hasonló készülék kerül felajánlásra, vagy a vételár arányos leszállítására kerül sor, avagy visszafizetésre kerül a vételár.
 - f) A termék hibája miatt a fogyasztó a forgalmazótól is követelheti a hiba kijavítását vagy a termék kicserélését a forgalomba hozataltól számított két év elteltéig (termékszavatosság).
- 4) A jótállás alapján történő javítás során a forgalmazónak, illetve a javítószolgálatnak (kereskedőnek) törekednie kell arra, hogy a kijavítást legfeljebb 15 napon belül megfelelő minőségben elvégezze, elvégeztesse.

A jótállás keretében tartozó kijavítás vagy csere esetén a forgalmazó, illetve a javítószolgálat a jótállási jegyben köteles feltüntetni:

- a kijavítás iránti igény bejelentésének és a kijavításra történő átvétel időpontját,
- a hiba okát és a kijavítás módját;
- a termékfogyasztó részére történő visszaadásának időpontját,
- a kicserélés tényét és időpontját.

A termék meghibásodása esetén a fogyasztót az alábbi jogok illetik meg:

Elsősorban - választása szerint - kijavítást vagy kicserélést követelhet. A csereigény akkor megalapozott, ha a termék a fogyasztónak okozott jelentős kényelmetlenség nélkül, megfelelő minőségben és ésszerű határidőn belül, értékcsökkenés nélkül nem javítható ki, vagy nem kerül kijavításra.

Ha az előírt módon történő kijavításra, illetve kicserélésre vonatkozó kötelezettségének a forgalmazó nem tud eleget tenni, a fogyasztó – választása szerint – a vételár arányos leszállítását igényelheti, a hibát a forgalmazó költségére maga kijavíthathatja, vagy előállhat a szerződéstől (a hibás áru visszaszolgáltatásával egyidejűleg kérheti a nyugtán vagy számlán feltüntetett bruttó vételár visszatérítését). Jelentéktelen hiba miatt elállásnak nincs helye!

Kérjük, hogy a hiba felfedezését követő legkorábbi időn belül szíveskedjen azt a szervizben vagy a forgalmazónál bejelenteni.

A kijavítást vagy kicserélést - a dolog tulajdonságaira és a fogyasztó által elvárható rendeltetésére figyelemmel - megfelelő határidőn belül, a fogyasztó érdekeit kímélve kell elvégezni.

Gyártó:	Forgalmazó:
Black & Decker Europe,	Stanley Black & Decker Hungary Kft
210 Bath Road, Slough,	1016. Budapest,
Berkshire, SL13YD,	Mészáros u. 58/B
Egyesült Királyság	

Fogyasztói jogvita esetén a fogyasztó a megyei (fővárosi) kereskedelmi és iparkamarák mellett működő békéltető testület eljárását is kezdeményezheti!

Kereskedő által a vásárlással egyidejűleg kitöltendő

Kereskedő neve és címe:

.....

A fogyasztási cikk megnevezése:.....

Tipusa:

Gyártási száma:

Szerződésköltés és a termék fogyasztó részére történő átadásának

dátuma:

..... P.H.

aláírás

Kereskedő által kitöltendő kicserélés esetén

A fogyasztó a hibás terméket valamennyi tartozékával átadta.

A kicserélés időpontja:

..... P.H.

aláírás

A hibátlan terméket átvettem.

A kicserélt új termék átvételének időpontja:

.....

fogyasztó aláírása

Kijavítás esetén a szerviz tölti ki:

1. javítás

A javítás iránti igény bejelentésének és a javításra átvétel időpontja:

.....

A bejelentett hiba oka és a javítás módja:

.....

A fogyasztó részére történő visszaadás időpontja:

.....

Amennyiben a termék nem javítható, a csereigény alapos:

igen / nem (aláhúzással jelölendő)

..... P.H.

aláírás

3. javítás

A javítás iránti igény bejelentésének és a javításra átvétel időpontja:

.....

A bejelentett hiba oka és a javítás módja:

.....

A fogyasztó részére történő visszaadás időpontja:

.....

Amennyiben a termék nem javítható, a csereigény alapos:

igen / nem (aláhúzással jelölendő)

..... P.H.

aláírás

2. javítás

A javítás iránti igény bejelentésének és a javításra átvétel időpontja:

.....

A bejelentett hiba oka és a javítás módja:

.....

A fogyasztó részére történő visszaadás időpontja:

.....

Amennyiben a termék nem javítható, a csereigény alapos:

igen / nem (aláhúzással jelölendő)

..... P.H.

aláírás

4. javítás

A javítás iránti igény bejelentésének és a javításra átvétel időpontja:

.....

A bejelentett hiba oka és a javítás módja:

.....

A fogyasztó részére történő visszaadás időpontja:

.....

Amennyiben a termék nem javítható, a csereigény alapos:

igen / nem (aláhúzással jelölendő)

..... P.H.

aláírás

Stanley Black & Decker Hungary Kft

Iroda 1016 Bp. Mészáros u 58/b. Tel. 214-05-61 Fax. 214-69-35

Központi Márkaszerviz

Elérhetőség ROTEL Kft. Márkaszerviz 1163 Bp. (Sashalom) Thököly út 17. Tel/fax 403-22-60, 404-00-14, 403-65-33 service@rotelkft.hu www.rotelkft.hu

Garancián túli javító ill. garanciális átvévhelyek

Város	Szervizállomás	Cím	Telefon
Cegléd	Megatool Kft.	2700, Széchenyi út 4.	53/311-284
Debrecen	Spirál-szerviz kft	4025, Nyugati út 5-7.	52443-000
Hajdúböszörmény	Vill-For Szerviz Bt	4220, Baltházár u. 26.	52/561-135
Kaposvár	Kaposvári Kíségjavító és Ért. BT	7400, Fő u.30.	82/318-574
Nagykanizsa	Vektor2000BT	8800, Király u 34.	93/310-937
Nyíregyháza	Charon Trade Kft	4400, Kállói út 85/b	42/460-154
Nyíregyháza	Tóth Kíségpszerviz	4400, Vasgyár u.2/f	42/504-082
Pécs	Elektrió Kft.	7623, Szabadság u.28.	72/555-657
Szeged	Csavarker Plus Kft	6721, Brüsszeli krt.16.	62/542-870
Székesfehérvár	Kíségp Center Bt.	8000, Széna tér 3.	22/340-026
Szolnok	Valido BT	5000 Dr Elek István u 5	20/4055711
Szombathely	Rotor Kft.	9700, Vasút u.29.	94/317-579
Tápiószecső	ÁCS.I Ker és Szolg Kft	2251, Pesti út 31-es főút	29/446-615

CZ ZÁRUČNÍ LIST

PL KARTA GWARANCYJNA

H JÓTÁLLÁSI JEGY

SK ZÁRUČNÝ LIST



CZ měsíců
H hónap

24

PL miesiące
SK mesiacov

CZ	Výrobní kód	Datum prodeje	Razítko prodejny Podpis
H	Gyári szám	A vásárlás napja	Pecsét helye Aláírás
PL	Numer seryjny	Data sprzedaży	Stempel Podpis
SK	Číslo série	Dátum predaja	Pečiatka predajne Podpis

(CZ)

Adresy servisu
Band Servis
Klásterského 2
CZ-140 00 Praha 4
Tel.: 00420 244 403 247
Fax: 00420 241 770 167

Band Servis
K Pasekám 4440
CZ-76001 Zlín
Tel.: 00420 577 008 550,1
Fax: 00420 577 008 559
<http://www.bandservis.cz>

(H)

Black & Decker Központi
Garanciális-és Márkaszerviz
1163 Budapest
(Sashalom) Thököly út 17.
Tel.: 403-2260
Fax: 404-0014
www.rotelkft.hu

(PL)

Adres serwisu centralnego
ERPATECH
ul. Bakaliowa 26
05-080 Mościska
Tel.: 022-8620808
Fax: 022-8620809

(SK)

Adresa servisu
Band Servis
Paulínska ul. 22
SK-91701 Trnava
Tel.: 00421 335 511 063
Fax: 00421 335 512 624

(CZ)	Dokumentace záruční opravy			(PL)	Przebieg napraw gwarancyjnych	
(H)	A garanciális javítás dokumentálása			(SK)	Záznamy o záručných opravách	
CZ	Číslo	Datum příjmu	Datum zakázky	Číslo zakázky	Závada	Razítko Podpis
H	Sorszám	Bejelentés időpontja	Javítási időpont	Javítási munkalapszám	Hiba jelleg oka	Pecsét Aláírás
	Jótállás új határideje					
PL	Nr.	Data zgłoszenia	Data naprawy	Nr. zlecenia	Przebieg naprawy	Stempel Podpis
SK	Číslo dodávky	Dátum nahlásenia	Dátum opravy	Číslo objednávky	Popis poruchy	Pečiatka Podpis

