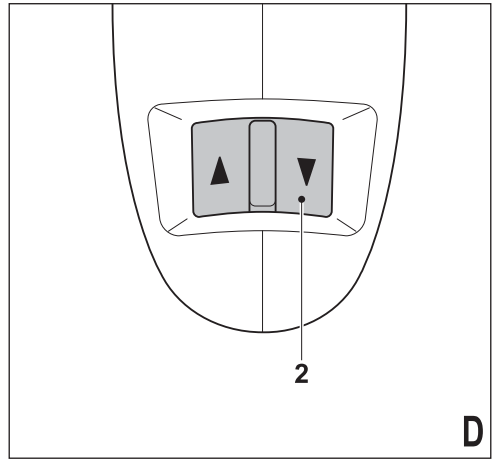
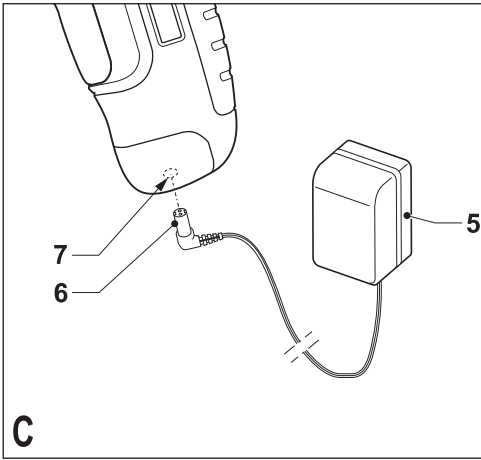
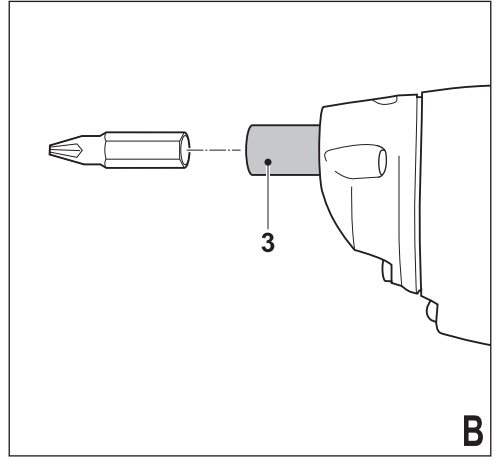
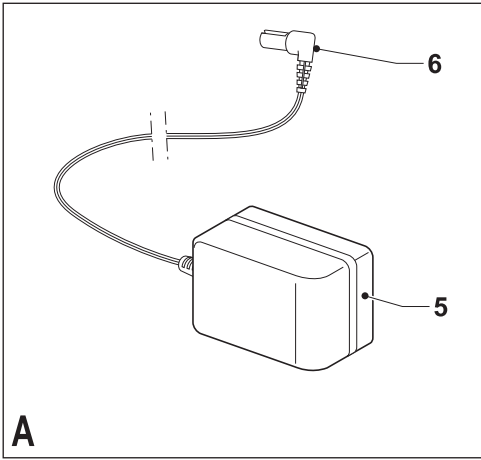


English	(Original instructions)	4
Deutsch	(Übersetzung der Originalanleitung)	10
Français	(Traduction des instructions d'origine)	17
Česky	(Přeloženo z původního návodu)	24
Magyar	(Fordítás az eredeti kezelési utasítás alapján készült)	31
Polski	(Tłumaczenie oryginalnej instrukcji)	40
Slovenčina	(Preložené z pôvodného návodu)	48
Русский язык	(Перевод с оригинала инструкции)	55
Українська	(Переклад оригінальних інструкцій)	64
Türkçe	(Çevirisi orijinal talimatlardan yapılmıştır)	72



Intended use

Your Black & Decker compact screwdriver has been designed for screwdriving applications and for drilling in wood, metal and plastics. This tool is intended for consumer use only.

Safety instructions

General power tool safety warnings



Warning! Read all safety warnings and all instructions. Failure to follow the warnings and instructions listed below may result in electric shock, fire and/or serious injury.

Save all warnings and instructions for future reference. The term "power tool" in all of the warnings listed below refers to your mains operated (corded) power tool or battery operated (cordless) power tool.

1. Work area safety

- a. **Keep work area clean and well lit.** Cluttered or dark areas invite accidents.
- b. **Do not operate power tools in explosive atmospheres, such as in the presence of flammable liquids, gases or dust.** Power tools create sparks which may ignite the dust or fumes.
- c. **Keep children and bystanders away while operating a power tool.** Distractions can cause you to lose control.

2. Electrical safety

- a. **Power tool plugs must match the outlet. Never modify the plug in any way. Do not use any adapter plugs with earthed (grounded) power tools.** Unmodified plugs and matching outlets will reduce risk of electric shock.
- b. **Avoid body contact with earthed or grounded surfaces such as pipes, radiators, ranges and refrigerators.** There is an increased risk of electric shock if your body is earthed or grounded.
- c. **Do not expose power tools to rain or wet conditions.** Water entering a power tool will increase the risk of electric shock.
- d. **Do not abuse the cord. Never use the cord for carrying, pulling or unplugging the power tool. Keep cord away from heat, oil, sharp edges or moving parts.** Damaged or entangled cords increase the risk of electric shock.
- e. **When operating a power tool outdoors, use an extension cord suitable for outdoor use.** Use of a cord suitable for outdoor use reduces the risk of electric shock.
- f. **If operating a power tool in a damp location is unavoidable, use a residual current de-**

vice (RCD) protected supply. Use of an RCD reduces the risk of electric shock.

3. Personal safety

- a. **Stay alert, watch what you are doing and use common sense when operating a power tool. Do not use a power tool while you are tired or under the influence of drugs, alcohol or medication.** A moment of inattention while operating power tools may result in serious personal injury.
 - b. **Use personal protective equipment. Always wear eye protection.** Protective equipment such as dust mask, non-skid safety shoes, hard hat, or hearing protection used for appropriate conditions will reduce personal injuries.
 - c. **Prevent unintentional starting. Ensure the switch is in the off-position before connecting to power source and/or battery pack, picking up or carrying the tool.** Carrying power tools with your finger on the switch or energising power tools that have the switch on invites accidents.
 - d. **Remove any adjusting key or wrench before turning the power tool on.** A wrench or a key left attached to a rotating part of the power tool may result in personal injury.
 - e. **Do not overreach. Keep proper footing and balance at all times.** This enables better control of the power tool in unexpected situations.
 - f. **Dress properly. Do not wear loose clothing or jewellery. Keep your hair, clothing and gloves away from moving parts.** Loose clothes, jewellery or long hair can be caught in moving parts.
 - g. **If devices are provided for the connection of dust extraction and collection facilities, ensure these are connected and properly used.** Use of dust collection can reduce dust-related hazards.
- #### 4. Power tool use and care
- a. **Do not force the power tool. Use the correct power tool for your application.** The correct power tool will do the job better and safer at the rate for which it was designed.
 - b. **Do not use the power tool if the switch does not turn it on and off.** Any power tool that cannot be controlled with the switch is dangerous and must be repaired.
 - c. **Disconnect the plug from the power source and/or the battery pack from the power tool before making any adjustments, changing accessories, or storing power tools.** Such

preventive safety measures reduce the risk of starting the power tool accidentally.

- d. **Store idle power tools out of the reach of children and do not allow persons unfamiliar with the power tool or these instructions to operate the power tool.** Power tools are dangerous in the hands of untrained users.
 - e. **Maintain power tools. Check for misalignment or binding of moving parts, breakage of parts and any other condition that may affect the power tools operation. If damaged, have the power tool repaired before use.** Many accidents are caused by poorly maintained power tools.
 - f. **Keep cutting tools sharp and clean.** Properly maintained cutting tools with sharp cutting edges are less likely to bind and are easier to control.
 - g. **Use the power tool, accessories and tool bits etc. in accordance with these instructions, taking into account the working conditions and the work to be performed.** Use of the power tool for operations different from those intended could result in a hazardous situation.
- 5. Battery tool use and care**
- a. **Recharge only with the charger specified by the manufacturer.** A charger that is suitable for one type of battery pack may create a risk of fire when used with another battery pack.
 - b. **Use power tools only with specifically designated battery packs.** Use of any other battery packs may create a risk of injury and fire.
 - c. **When battery pack is not in use, keep it away from other metal objects, like paper clips, coins, keys, nails, screws, or other small metal objects, that can make a connection from one terminal to another.** Shorting the battery terminals together may cause burns or a fire.
 - d. **Under abusive conditions, liquid may be ejected from the battery; avoid contact. If contact accidentally occurs, flush with water. If liquid contacts eyes, additionally seek medical help.** Liquid ejected from the battery may cause irritation or burns.
- 6. Service**
- a. **Have your power tool serviced by a qualified repair person using only identical replacement parts.** This will ensure that the safety of the power tool is maintained.

Additional power tool safety warnings



Warning! Additional safety warnings for screwdrivers and impact wrenches

- ◆ **Hold power tool by insulated gripping surfaces when performing an operation where the fastener may contact hidden wiring or its own cord.** Fasteners contacting a "live" wire may make exposed metal parts of the power tool "live" and shock the operator.
- ◆ **Wear ear protectors with impact wrenches.** Exposure to noise can cause hearing loss.
- ◆ **Use auxiliary handles supplied with the tool.** Loss of control can cause personal injury.
- ◆ **Use clamps or another practical way to secure and support the workpiece to a stable platform.** Holding the work by hand or against your body leaves it unstable and may lead to loss of control.
- ◆ Before driving fasteners into walls, floors or ceilings, check for the location of wiring and pipes.
- ◆ This tool is not intended for use by persons (including children) with reduced physical, sensory or mental capabilities, or lack of experience and knowledge, unless they have been given supervision or instruction concerning use of the appliance by a person responsible for their safety. Children should be supervised to ensure that they do not play with the appliance.
- ◆ The intended use is described in this instruction manual. The use of any accessory or attachment or performance of any operation with this tool other than those recommended in this instruction manual may present a risk of personal injury and/or damage to property.

Safety of others

- ◆ This appliance is not intended for use by persons (including children) with reduced physical, sensory or mental capabilities, or lack of experience and knowledge, unless they have been given supervision or instruction concerning use of the appliance by a person responsible for their safety.
- ◆ Children should be supervised to ensure that they do not play with the appliance.

Residual risks.

Additional residual risks may arise when using the tool which may not be included in the enclosed safety warnings. These risks can arise from misuse, prolonged use etc.

Even with the application of the relevant safety regulations and the implementation of safety devices, certain residual risks can not be avoided. These include:

- ◆ **Injuries caused by touching any rotating/moving parts.**
- ◆ **Injuries caused when changing any parts, blades or accessories.**
- ◆ **Injuries caused by prolonged use of a tool. When using any tool for prolonged periods ensure you take regular breaks.**
- ◆ **Impairment of hearing.**
- ◆ **Health hazards caused by breathing dust developed when using your tool (example:- working with wood, especially oak, beech and MDF.)**

Vibration

The declared vibration emission values stated in the technical data and the declaration of conformity have been measured in accordance with a standard test method provided by EN 60745 and may be used for comparing one tool with another. The declared vibration emission value may also be used in a preliminary assessment of exposure.

Warning! The vibration emission value during actual use of the power tool can differ from the declared value depending on the ways in which the tool is used. The vibration level may increase above the level stated.

When assessing vibration exposure to determine safety measures required by 2002/44/EC to protect persons regularly using power tools in employment, an estimation of vibration exposure should consider, the actual conditions of use and the way the tool is used, including taking account of all parts of the operating cycle such as the times when the tool is switched off and when it is running idle in addition to the trigger time.

Labels on tool

The following pictograms are shown on the tool:



Warning! To reduce the risk of injury, the user must read the instruction manual.

Additional safety instructions for batteries and chargers

Batteries

- ◆ Never attempt to open for any reason.
- ◆ Do not expose the battery to water.
- ◆ Do not expose the battery to heat.

- ◆ Do not store in locations where the temperature may exceed 40 °C.
- ◆ Charge only at ambient temperatures between 10°C and 40 °C.
- ◆ Charge only using the charger provided with the appliance/tool.
- ◆ When disposing of batteries, follow the instructions given in the section "Protecting the environment".
- ◆ Do not damage/deform the battery pack either by puncture or impact, as this may create a risk of injury and fire.
- ◆ Do not charge damaged batteries.
- ◆ Under extreme conditions, battery leakage may occur. When you notice liquid on the batteries carefully wipe the liquid off using a cloth. Avoid skin contact.
- ◆ In case of skin or eye contact, follow the instructions below.

Warning! The battery fluid may cause personal injury or damage to property. In case of skin contact, immediately rinse with water. If redness, pain or irritation occurs seek medical attention. In case of eye contact, rinse immediately with clean water and seek medical attention.

Chargers

Your charger has been designed for a specific voltage. Always check that the mains voltage corresponds to the voltage on the rating plate.

Warning! Never attempt to replace the charger unit with a regular mains plug.

- ◆ Use your Black & Decker charger only to charge the battery in the tool with which it was supplied. Other batteries could burst, causing personal injury and damage.
- ◆ Never attempt to charge non-rechargeable batteries.
- ◆ If the supply cord is damaged, it must be replaced by the manufacturer or an authorised Black & Decker Service Centre in order to avoid a hazard.
- ◆ Have defective cords replaced immediately.
- ◆ Do not expose the charger to water.
- ◆ Do not open the charger.
- ◆ Do not probe the charger.
- ◆ The appliance/tool/battery must be placed in a well ventilated area when charging.



The charger is intended for indoor use only.



Read the instruction manual before use.



Fail safe isolating transformer. The mains supply is electrically separated from the transformer output.



The charger automatically shuts off if the ambient temperature becomes too high. As a consequence the charger will be inoperable. The unit must be disconnected from the mains supply and taken to an authorised service centre for repair.

Electrical safety



Your charger is double insulated; therefore no earth wire is required. Always check that the mains voltage corresponds to the voltage on the rating plate.

- ◆ If the supply cord is damaged, it must be replaced by the manufacturer or an authorised Black & Decker Service Centre in order to avoid a hazard.
- ◆ **Warning!** Never attempt to replace the charger unit with a regular mains plug.

Features

1. On/off switch
2. Forward/reverse slider
3. Bit holder
4. LED light

Fig. A

5. Charger
6. Charger plug

Assembly

Fitting and removing a drill bit or a screwdriver bit (fig. B)

This tool uses screwdriver bits and drill bits with a 6.35 mm (1/4") hexagonal shank.

- ◆ To fit a bit, insert the bit shaft into the bit holder (3).
- ◆ To remove a bit, pull the bit shaft out of the bit holder (3).

Use

Warning! Let the tool work at its own pace. Do not overload.

- ◆ Before first use, the battery must be charged for at least 9 hours.

Charging the battery (fig. C)

- ◆ Insert the charger plug (6) into the charger connector (7).
- ◆ Plug in the charger (5).
- ◆ Leave the tool connected to the charger for 12 hours.

The charger may hum and become warm while charging; this is normal and does not indicate a problem.

Warning! Do not charge the battery at ambient temperatures below 10 °C or above 40 °C.

Selecting the direction of rotation (fig. D)

For drilling and for tightening screws, use forward rotation. For loosening screws or removing a jammed drill bit, use reverse rotation.

- ◆ To select forward rotation, push the forward/reverse slider (2) to the forward position.
- ◆ To select reverse rotation, push the forward/reverse slider (2) to the rearward position.
- ◆ To lock the tool, set the forward/reverse slider into the centre position.

Drilling/screwdriving

- ◆ Select forward or reverse rotation using the forward/reverse slider (2).
- ◆ To switch the tool on, press the on/off switch (1).
- ◆ To switch the tool off, release the on/off switch (1).

LED light

The LED light (4) is activated automatically when the trigger is depressed. The LED will also illuminate when the trigger is depressed and the forward/reverse slider (2) is in the locked off position (central position).

Hints for optimum use

Screwdriving

- ◆ Always use the correct type and size of screwdriver bit.
- ◆ If screws are difficult to tighten, try applying a small amount of washing liquid or soap as a lubricant.
- ◆ Use the spindle lock to loosen very tight screws or to firmly tighten screws.
- ◆ Always hold the tool and screwdriver bit in a straight line with the screw.
- ◆ When screwing in wood, it is recommended to drill a pilot hole with a depth equal to the length of the screw. A pilot hole guides the screw and prevents splintering or distortion of the wood. For the optimum size of the pilot hole, refer to the table below.
- ◆ When screwing in hardwood, also drill a clearance hole with a depth equal to half the length of the screw. For the optimum size of the clearance hole, refer to the table below.

Screw size	Pilot hole Ø (softwood)	Pilot hole Ø (hardwood)	Clearance hole
No. 6 (3.5mm)	2.0mm	2.5mm	3.6mm
No. 8 (4mm)	2.5mm	3.0mm	4.5mm
No. 10 (5mm)	3.0mm	3.5mm	5.0mm

Drilling

- ◆ Always apply a light pressure in a straight line with the drill bit.
- ◆ Just before the drill tip breaks through the other side of the workpiece, decrease pressure on the tool.
- ◆ Use a block of wood to back up workpieces that may splinter.
- ◆ Make an indentation using a centre punch at the centre of the hole to be drilled in order to improve accuracy.

Accessories

The performance of your tool depends on the accessory used. Black & Decker and Piranha accessories are engineered to high quality standards and designed to enhance the performance of your tool. By using these accessories you will get the very best from your tool.

This tool uses screwdriver bits with a 1/4" (6.35 mm) hexagonal shank. Piranha Super-lok accessories are designed for use with this tool.

Maintenance

Your Black & Decker corded/cordless appliance/tool has been designed to operate over a long period of time with a minimum of maintenance. Continuous satisfactory operation depends upon proper tool care and regular cleaning. Your charger does not require any maintenance apart from regular cleaning.

Warning! Before performing any maintenance on the tool, switch off and unplug the tool or remove the battery from the tool if the tool has separate battery. If the battery is integral, run the battery completely down. Unplug the charger before cleaning it.

- ◆ Regularly clean the ventilation slots in your tool and charger using a soft brush or dry cloth.
- ◆ Regularly clean the motor housing using a damp cloth. Do not use any abrasive or solvent-based cleaner.
- ◆ Regularly open the chuck and tap it to remove any dust from the interior (when fitted).

Protecting the environment



Separate collection. This product must not be disposed of with normal household waste.

Should you find one day that your Black & Decker product needs replacement, or if it is of no further use to you, do not dispose of it with household waste. Make this product available for separate collection.



Separate collection of used products and packaging allows materials to be recycled and used again. Re-use of recycled materials helps prevent environmental pollution and reduces the demand for raw materials.

Local regulations may provide for separate collection of electrical products from the household, at municipal waste sites or by the retailer when you purchase a new product.

Black & Decker provides a facility for the collection and recycling of Black & Decker products once they have reached the end of their working life. To take advantage of this service please return your product to any authorised repair agent who will collect them on our behalf.

You can check the location of your nearest authorised repair agent by contacting your local Black & Decker office at the address indicated in this manual. Alternatively, a list of authorised Black & Decker repair agents and full details of our after-sales service and contacts are available on the Internet at: www.2helpU.com

Batteries



At the end of their useful life, discard batteries with due care for our environment:

- ◆ Do not short-circuit the battery terminals.
- ◆ Do not dispose of the battery(s) in a fire as this may result in a risk of personal injury or an explosion.
- ◆ Run the battery down completely, then remove it from the tool.
- ◆ Batteries are recyclable. Place the battery(s) in a suitable packaging to ensure that the terminals cannot be short-circuited. Take them to any authorised repair agent or a local recycling station.

Technical data

		KC460LN (H1)	
Voltage	V _{DC}	3.6	
No-load speed	min ⁻¹	180	
Hard stall torque	Nm	7.7	
Max. torque	Nm	3.2	
Bit holder	mm	6.35 (1/4")	
Weight	kg	0.4	

Battery

Voltage	V	3.6
Battery type		Li-Ion
Capacity		1.1/1.3

Charger 905450XX

Input voltage	V _{AC}	230
Output voltage	V _{DC}	9
Current	mA	100
Approx. charging time	h	12
Weight	kg	0.4

Level of sound pressure according to EN 60745:

Sound pressure (L_{pA}) 58.9 dB(A),
uncertainty (K) 3 dB(A)

Sound power (L_{WA}) 69.9 dB(A),
uncertainty (K) 3 dB(A)

Vibration total values (triax vector sum)
according to EN 60745:

Drilling into metal (a_{hD}) 0.979 m/s²,
uncertainty (K) 1.5 m/s²

Screwdriving without impact (a_{hS}) 0.247 m/s²,
uncertainty (K) 1.5 m/s²

EC declaration of conformity

MACHINERY DIRECTIVE



KC460LN H1

Black & Decker declares that these products described under "technical data" are in compliance with: 2006/42/EC, EN 60745-1, EN 60745-2-2

These products also comply with Directive 2004/108/EC and 2011/65/EU. For more information, please contact Stanley Europe at the following address or refer to the back of the manual.

For more information, please contact Black & Decker at the following address or refer to the back of the manual.

The undersigned is responsible for compilation of the technical file and makes this declaration on behalf of Black & Decker

Kevin Hewitt
Vice-President Global Engineering
Black & Decker Europe, 210 Bath Road, Slough,
Berkshire, SL1 3YD
United Kingdom
15/08/2012

Guarantee

Black & Decker is confident of the quality of its products and offers an outstanding guarantee. This guarantee statement is in addition to and in no way prejudices your statutory rights. The guarantee is valid within the territories of the Member States of the European Union and the European Free Trade Area.

If a Black & Decker product becomes defective due to faulty materials, workmanship or lack of conformity, within 24 months from the date of purchase, Black & Decker guarantees to replace defective parts, repair products subjected to fair wear and tear or replace such products to ensure minimum inconvenience to the customer unless:

- ◆ The product has been used for trade, professional or hire purposes;
- ◆ The product has been subjected to misuse or neglect;
- ◆ The product has sustained damage through foreign objects, substances or accidents;
- ◆ Repairs have been attempted by persons other than authorised repair agents or Black & Decker service staff.

To claim on the guarantee, you will need to submit proof of purchase to the seller or an authorised repair agent. You can check the location of your nearest authorised repair agent by contacting your local Black & Decker office at the address indicated in this manual. Alternatively, a list of authorised Black & Decker repair agents and full details of our after-sales service and contacts are available on the Internet at: **www.2helpU.com**

Please visit our website **www.blackanddecker.co.uk** to register your new Black & Decker product and to be kept up to date on new products and special offers. Further information on the Black & Decker brand and our range of products is available at **www.blackanddecker.co.uk**

Bestimmungsgemäße Verwendung

Ihr Black & Decker Kompaktschrauber wurde für Schraubaufgaben sowie für das Bohren in Holz, Metall und Kunststoff konstruiert. Dieses Gerät ist nicht für den gewerblichen Einsatz vorgesehen.

Sicherheitshinweise

Allgemeine Warnhinweise zur Sicherheit von Elektrowerkzeugen



Achtung! Lesen Sie sämtliche Sicherheitswarnhinweise und sonstigen Anweisungen. Die Nichteinhaltung der nachstehend aufgeführten Warnhinweise und sonstigen Anweisungen kann einen elektrischen Schlag, Brand und/oder schwere Verletzungen verursachen.

Bewahren Sie alle Warnhinweise und sonstigen Anweisungen zur künftigen Bezugnahme auf. Der nachfolgend verwendete Begriff "Gerät" bezieht sich auf netzbetriebene Geräte (mit Netzkabel) und auf akkubetriebene Geräte (ohne Netzkabel).

1. Sicherheit am Arbeitsplatz

- a. **Halten Sie Ihren Arbeitsbereich sauber und gut ausgeleuchtet.** Unordnung und dunkle Arbeitsbereiche fordern Unfälle geradezu heraus.
- b. **Arbeiten Sie mit Geräten nicht in explosionsgefährdeter Umgebung, in der sich brennbare Flüssigkeiten, Gase oder Stäube befinden.** Geräte erzeugen Funken, die den Staub oder die Dämpfe entzünden können.
- c. **Halten Sie Kinder und andere Personen während der Benutzung eines Geräts fern.** Bei Ablenkung können Sie die Kontrolle verlieren.

2. Elektrische Sicherheit

- a. **Der Anschlussstecker des Geräts muß in die Steckdose passen. Der Stecker darf in keiner Weise verändert werden. Verwenden Sie keine Adapterstecker gemeinsam mit schutzgeerdeten Geräten.** Unveränderte Stecker und passende Steckdosen verringern das Risiko eines elektrischen Schlages.
- b. **Vermeiden Sie Körperkontakt mit geerdeten Oberflächen von Rohren, Heizungen, Herden und Kühlschränken.** Es besteht ein erhöhtes Risiko eines elektrischen Schlages, wenn Ihr Körper geerdet ist.
- c. **Halten Sie Geräte von Regen und Nässe fern.** Das Eindringen von Wasser in ein Gerät erhöht das Risiko eines elektrischen Schlages.
- d. **Mißbrauchen Sie nicht das Kabel. Verwenden Sie das Kabel niemals zum Tragen, Ziehen oder Trennen des Gerätes vom**

- Netz. Halten Sie das Kabel fern von Hitze, Öl, scharfen Kanten oder sich bewegenden Teilen.** Beschädigte oder verwickelte Kabel erhöhen das Risiko eines elektrischen Schlages.
- e. **Wenn Sie mit einem Gerät im Freien arbeiten, verwenden Sie nur Verlängerungskabel, die auch für den Außenbereich zugelassen sind.** Die Verwendung eines für den Außenbereich geeigneten Verlängerungskabels verringert das Risiko eines elektrischen Schlages.
 - f. **Falls der Betrieb des Elektrowerkzeugs in einer feuchten Umgebung unvermeidbar ist, verwenden Sie einen mit einem Fehlerstromschutzschalter (FI-Schutzschalter) abgesicherten Stromkreis.** Durch die Verwendung eines FI-Schutzschalters wird das Risiko eines Stromschlags verringert.

3. Sicherheit von Personen

- a. **Seien Sie aufmerksam, achten Sie darauf, was Sie tun, und gehen Sie vernünftig mit einem Gerät um. Benutzen Sie das Gerät nicht, wenn Sie müde sind oder unter dem Einfluß von Drogen, Alkohol oder Medikamenten stehen.** Ein Moment der Unachtsamkeit beim Gebrauch von Geräten kann zu ernsthaften Verletzungen führen.
- b. **Tragen Sie persönliche Schutzausrüstung. Tragen Sie immer eine Schutzbrille.** Das Tragen persönlicher Schutzausrüstung, wie Staubmaske, rutschfeste Sicherheitsschuhe, Schutzhelm oder Gehörschutz, je nach Art und Einsatz des Elektrowerkzeuges, verringert das Risiko von Verletzungen.
- c. **Vermeiden Sie eine unbeabsichtigte Inbetriebnahme. Vergewissern Sie sich, dass der Schalter auf der Aus-Stellung steht, bevor Sie den Stecker in die Steckdose stecken und/oder das Akkupaket im Werkzeug stecken, das Werkzeug aufnehmen oder tragen.** Wenn Sie beim Tragen des Elektrowerkzeugs den Finger am Schalter haben oder das Werkzeug eingeschaltet an die Stromversorgung anschließen, kann dies zu Unfällen führen.
- d. **Entfernen Sie Einstell- oder Schraubenschlüssel, bevor Sie das Gerät einschalten.** Ein Schlüssel, der sich in einem sich drehenden Teil befindet, kann zu Verletzungen führen.
- e. **Nicht zu weit nach vorne strecken! Achten Sie auf einen sicheren Stand, um in jeder Arbeitsposition das Gleichgewicht zu halten.** Dadurch können Sie das Gerät in unerwarteten Situationen besser unter Kontrolle halten.
- f. **Tragen Sie geeignete Kleidung. Tragen Sie keine weite Kleidung oder Schmuck. Halten**

Sie Haare, Kleidung und Handschuhe fern von sich bewegenden Teilen. Lockere Kleidung, Schmuck oder lange Haare können von sich bewegenden Teilen erfaßt werden.

- g. Falls Staubabsaug- und -auffangvorrichtungen vorhanden sind, vergewissern Sie sich, daß diese angeschlossen sind und richtig verwendet werden.** Das Verwenden dieser Einrichtungen verringert Gefährdungen durch Staub.

4. Gebrauch und Pflege von Geräten

- a. Überlasten Sie das Gerät nicht. Verwenden Sie für Ihre Arbeit das dafür bestimmte Gerät.** Mit dem passenden Gerät arbeiten Sie besser und sicherer im angegebenen Leistungsbereich.

- b. Benutzen Sie kein Gerät, dessen Schalter defekt ist.** Ein Gerät, das sich nicht mehr ein- oder ausschalten läßt, ist gefährlich und muß repariert werden.

- c. Trennen Sie den Stecker von der Stromquelle und/ oder das Akkupaket vom Elektrowerkzeug, bevor Einstellungen vorgenommen, Zubehör gewechselt oder Elektrowerkzeuge verstaut werden.** Diese Vorsichtsmaßnahmen verhindern den unbeabsichtigten Start des Gerätes.

- d. Bewahren Sie unbenutzte Geräte außerhalb der Reichweite von Kindern auf. Lassen Sie Geräte nicht von Personen benutzen, die damit nicht vertraut sind oder diese Anweisungen nicht gelesen haben.** Geräte sind gefährlich, wenn Sie von unerfahrenen Personen benutzt werden.

- e. Halten Sie Geräte in einem einwandfreien Zustand. Kontrollieren Sie, ob bewegliche Teile falsch ausgerichtet sind oder klemmen und ob Teile gebrochen oder so beschädigt sind, daß die Funktion des Geräts beeinträchtigt ist. Lassen Sie beschädigte Geräte vor dem Gebrauch reparieren.** Viele Unfälle haben ihre Ursache in schlecht gewarteten Geräten.

- f. Halten Sie Schneidgeräte scharf und sauber.** Sorgfältig gepflegte Schneidgeräte mit scharfen Schneidkanten verklemmen sich weniger und sind leichter zu führen.

- g. Verwenden Sie das Elektrowerkzeug, Zubehör sowie Werkzeug-Bits, usw. entsprechend diesen Anweisungen. Berücksichtigen Sie dabei die Arbeitsbedingungen sowie die durchzuführende Arbeit.** Der Gebrauch von Geräten für andere als die vorgesehenen Anwendungen kann zu gefährlichen Situationen führen.

5. Gebrauch und Pflege von Akkugeräten

- a. Laden Sie die Akkus nur in Ladegeräten auf, die vom Hersteller angegeben wurden.** Für ein Ladegerät, das nur für eine bestimmte Akkuart geeignet ist, besteht Brandgefahr, wenn es mit anderen Akkus verwendet wird.

- b. Verwenden Sie nur die für die Geräte vorgesehenen Akkus.** Der Gebrauch von anderen Akkus kann zu Verletzungen und Brandgefahr führen.

- c. Halten Sie den nicht benutzten Akku fern von Büroklammern, Münzen, Schlüsseln, Nägeln, Schrauben oder anderen kleinen Metallgegenständen, die eine Überbrückung der Kontakte verursachen könnten.** Ein Kurzschluss zwischen den Akkukontakten kann Verbrennungen oder Feuer zur Folge haben.

- d. Bei falscher Anwendung kann Flüssigkeit aus dem Akku austreten. Vermeiden Sie den Kontakt damit. Bei unbeabsichtigtem Kontakt mit Wasser abspülen. Gelangt die Flüssigkeit in die Augen, ziehen Sie außerdem ärztliche Hilfe hinzu.** Austretende Akkuflüssigkeit kann zu Hautreizungen oder Verbrennungen führen.

6. Service

- a. Lassen Sie Ihr Gerät nur von qualifiziertem Fachpersonal und nur mit Original-Ersatzteilen reparieren.** Damit wird gewährleistet, daß die Sicherheit des Geräts erhalten bleibt.

Zusätzliche Warnhinweise zur Sicherheit von Elektrowerkzeugen



Achtung! Zusätzliche Sicherheitshinweise für Schraubendreher und Schlagschrauber

- ◆ **Halten Sie das Elektrowerkzeug an den isolierten Griffflächen, wenn Arbeiten durchgeführt werden, bei denen das Befestigungselement versteckte Leitungen oder die eigene Anschlußleitung berühren könnte.** Befestigungsteile, die eine spannungsführende Leitung berühren, setzen die freiliegenden Metallteile des Geräts unter Spannung und der Benutzer erleidet einen Stromschlag.
- ◆ **Tragen Sie bei Schlagschraubern einen Gehörschutz.** Lärm kann Gehörschäden verursachen.
- ◆ **Verwenden Sie die im Lieferumfang des Werkzeugs enthaltenen Zusatzhandgriffe.** Ein Kontrollverlust kann Personenverletzungen verursachen.

- ◆ **Verwenden Sie Zwingen oder ähnliche Mittel, um das Werkstück auf einer stabilen Plattform zu halten und zu sichern.** Falls das Werkstück mit der Hand oder gegen den Körper gehalten wird, bleibt es instabil und Sie können die Kontrolle verlieren.
- ◆ Informieren Sie sich vor dem Einschrauben von Befestigungsteilen in Wände, Böden und Decken über den genauen Verlauf von Leitungen und Rohren.
- ◆ Dieses Gerät darf nicht von Personen (einschließlich Kindern) mit eingeschränkten körperlichen, sensorischen oder geistigen Fähigkeiten verwendet werden. Auch darf es nicht von Personen verwendet werden, die keine Erfahrung mit dem Gerät oder Kenntnis darüber haben, es sei denn, sie stehen beim Gebrauch unter der Aufsicht und Anleitung einer für deren Sicherheit verantwortlichen Person. Kinder müssen beaufsichtigt werden, um sicherzustellen, daß sie nicht mit dem Gerät spielen.
- ◆ Die bestimmungsgemäße Verwendung ist in dieser Bedienungsanleitung beschrieben. Das Verwenden anderer als der in dieser Anleitung empfohlenen Anbaugeräte und Zubehörteile oder die Ausführung von Arbeiten mit diesem Gerät, die nicht der bestimmungsgemäßen Verwendung entsprechen, kann zu Unfallgefahren und/oder Sachschäden führen.
- ◆ **Verletzungen, die durch das Berühren von sich drehenden/bewegenden Teilen verursacht werden.**
- ◆ **Verletzungen, die durch das Austauschen von Teilen, Messern oder Zubehör verursacht werden.**
- ◆ **Verletzungen, die durch längeren Gebrauch eines Geräts verursacht werden. Legen Sie bei längerem Gebrauch regelmäßige Pausen ein.**
- ◆ **Beeinträchtigung des Gehörs.**
- ◆ **Gesundheitsrisiken durch das Einatmen von Staub beim Gebrauch des Geräts (Beispielsweise bei Holzarbeiten, insbesondere Eiche, Buche und Pressspan).**

Vibrationen

Die angegebenen Vibrationswerte in den Technischen Daten und der Konformitätserklärung wurden gemäß einer standardisierten und durch EN 60745 festgelegten Prüfmethode gemessen und können herangezogen werden, um ein Werkzeug mit einem anderen zu vergleichen. Der angegebene Vibrationswert kann auch für eine vorläufige Einstufung der Freisetzung herangezogen werden.

Achtung! Der Vibrationswert beim eigentlichen Gebrauch des Elektrowerkzeugs kann vom angegebenen Wert abweichen. Dies hängt davon ab, auf welche Weise das Werkzeug verwendet wird. Der Vibrationswert kann über den angegebenen Wert hinaus ansteigen.

Bei der Einstufung der Vibrationen zur Festlegung der von 2002/44/EG geforderten Sicherheitsmaßnahmen zum Schutz von Personen, die beruflich regelmäßig mit Elektrowerkzeugen arbeiten, muß eine Vibrationseinstufung die tatsächlichen Gebrauchsbedingungen und die Art und Weise berücksichtigen, wie das Werkzeug verwendet wird. Auch müssen alle Aspekte des Arbeitszyklus berücksichtigt werden, wie beispielsweise die Zeiten, in denen das Werkzeug aus- und eingeschaltet ist und im Leerlauf läuft.

Schilder auf dem Gerät

Es befinden sich folgende Bildzeichen auf dem Gerät:



Achtung! Um die Verletzungsgefahr zu verringern, muß der Benutzer die Bedienungsanleitung lesen.

Sicherheit anderer Personen

- ◆ Dieses Gerät darf nicht von Personen (einschließlich Kindern) mit eingeschränkten körperlichen, sensorischen oder geistigen Fähigkeiten verwendet werden. Auch darf es nicht von Personen verwendet werden, die keine Erfahrung mit dem Gerät oder Kenntnis darüber haben, es sei denn, sie stehen beim Gebrauch unter der Aufsicht und Anleitung einer für deren Sicherheit verantwortlichen Person.
- ◆ Kinder müssen beaufsichtigt werden, um sicherzustellen, daß sie nicht mit dem Gerät spielen.

Restrisiken.

Für den Gebrauch dieses Geräts verbleiben zusätzliche Restrisiken, die möglicherweise nicht in den Sicherheitswarnungen genannt werden. Diese Risiken bestehen beispielsweise bei Missbrauch oder längerem Gebrauch.

Auch bei der Einhaltung der entsprechenden Sicherheitsvorschriften und der Verwendung aller Sicherheitsgeräte bestehen weiterhin bestimmte Restrisiken. Diese werden im Folgenden aufgeführt:

Zusätzliche Sicherheitsanweisungen für Akkus und Ladegeräte

Akkus

- ◆ Versuchen Sie auf keinen Fall, einen Akku zu öffnen.
- ◆ Setzen Sie den Akku keiner Nässe aus.
- ◆ Setzen Sie den Akku keiner Hitze aus.
- ◆ Nicht an einem Ort aufbewahren, wo die Temperatur 40 °C überschreiten kann.
- ◆ Nur bei Umgebungstemperaturen zwischen 10 °C und 40 °C aufladen.
- ◆ Laden Sie den Akku nur mit dem im Lieferumfang enthaltenen Ladegerät.
- ◆ Befolgen Sie bei der Entsorgung von Akkus die Anweisungen im Abschnitt "Umweltschutz".
- ◆ Beschädigen und deformieren Sie den Akku nicht - weder durch Einstiche noch durch Schläge - da Sie sich hierdurch verletzen können und ein Brand entstehen kann.
- ◆ Laden Sie keine beschädigten Akkus.
- ◆ Unter extremen Einsatzbedingungen kann Akkufflüssigkeit austreten. Wenn Sie Flüssigkeit auf den Akkus feststellen, wischen Sie diese vorsichtig mit einem Lappen weg. Vermeiden Sie eine Berührung mit der Haut.
- ◆ Falls die Flüssigkeit doch mit der Haut oder den Augen in Berührung kommen sollte, befolgen Sie die folgenden Hinweise.

Achtung! Die Akkufflüssigkeit kann zu Personenverletzungen oder Sachschäden führen. Falls die Lösung mit der Haut in Berührung kommt, spülen Sie sofort mit reichlich Wasser. Treten Rötungen, Schmerzen oder Reizungen auf, suchen Sie einen Arzt auf. Bei Augenkontakt spülen Sie die Augen sofort mit sauberem Wasser aus und suchen Sie einen Arzt auf.

Ladegeräte

Ihr Ladegerät wurde für eine bestimmte Spannung konstruiert. Überprüfen Sie immer, ob die Netzspannung mit der Spannung auf der Datenplakette übereinstimmt.

Achtung! Tauschen Sie das Ladegerät auf keinen Fall gegen einen Netzstecker aus.

- ◆ Verwenden Sie Ihr Black & Decker Ladegerät nur zum Laden von Akkus des im Lieferumfang enthaltenen Typs. Andere Akkus könnten plätzen und Sach- und Personenschäden verursachen.
- ◆ Versuchen Sie nie, nicht aufladbare Akkus zu laden.
- ◆ Falls das Netzkabel beschädigt ist, so ist es vom Hersteller oder einem autorisierten Black & De-

cker Service Center auszutauschen, um Gefahren vorzubeugen.

- ◆ Lassen Sie beschädigte Leitungen sofort austauschen.
- ◆ Setzen Sie das Ladegerät niemals Nässe aus.
- ◆ Öffnen Sie das Ladegerät nicht.
- ◆ Fassen Sie nicht mit den Fingern oder irgendwelchen Gegenständen in das Ladegerät.
- ◆ Gerät/Werkzeug/Akku müssen sich beim Aufladen an einem gut belüfteten Ort befinden.



Das Ladegerät ist ausschließlich für den Gebrauch in geschlossenen Räumen vorgesehen.



Lesen Sie vor dem Gebrauch sorgfältig die Bedienungsanleitung.



Ausfallsicherer Trenntransformator. Die Netzspannungsversorgung ist vom Transformatorausgang elektrisch getrennt.



Das Ladegerät schaltet automatisch ab, wenn die Umgebungstemperatur zu hoch wird. Danach ist das Ladegerät außer Funktion. Das Gerät muß vom Netz getrennt und zur Reparatur zu einem autorisierten Servicecenter gebracht werden.

Elektrische Sicherheit



Ihr Ladegerät ist schutzisoliert, daher ist keine Erdleitung erforderlich. Überprüfen Sie immer, ob die Netzspannung mit der Spannung auf der Datenplakette übereinstimmt.

- ◆ Falls das Netzkabel beschädigt ist, so ist es vom Hersteller oder einem autorisierten Black & Decker Service Center auszutauschen, um Gefahren vorzubeugen.
- ◆ **Achtung!** Tauschen Sie das Ladegerät auf keinen Fall gegen einen Netzstecker aus.

Merkmale

1. Ein-/Ausschalter
2. Rechts-/Linkslaufschalter
3. Bit-Halter
4. LED-Leuchte

Abb. A

5. Ladegerät
6. Ladegerätstecker

Montage

Anbringen und Entfernen eines Bohrers oder einer Schrauberklinge (Abb. B)

Dieses Gerät ist für Schrauberklingen und Bohrer mit einem 6,35 mm-Sechskantschaft geeignet.

- ◆ Um eine Klinge anzubringen, setzen Sie den Schaft der Klinge in den Schrauberklingshalter (3).
- ◆ Um eine Schrauber Klinge zu entfernen, ziehen Sie den Schaft der Klinge aus dem Klingshalter (3) heraus.

Gebrauch

Achtung! Beschleunigen Sie den Arbeitsvorgang nicht mit Gewalt. Vermeiden Sie eine Überlastung des Gerätes.

- ◆ Vor dem ersten Gebrauch muß der Akku mindestens 9 Stunden aufgeladen werden.

Laden des Akkus (Abb. C)

- ◆ Stecken Sie den Stecker des Ladegeräts (6) in die Buchse (7).
- ◆ Stecken Sie das Ladegerät in die Steckdose (5).
- ◆ Lassen Sie das Werkzeug 12 Stunden am Ladegerät angeschlossen.

Während des Ladevorgangs kann der Akku brummen und sich erwärmen. Dies ist normal und deutet nicht auf irgendein Problem hin.

Achtung! Laden Sie den Akku nicht bei einer Umgebungstemperatur unter 10 °C oder über 40 °C.

Wahl der Laufrichtung (Abb. D)

Zum Bohren sowie zum Eindrehen von Schrauben verwenden Sie den Rechtslauf. Zum Lösen von Schrauben sowie zum Lösen eines festsitzenden Bohrers verwenden Sie den Linkslauf.

- ◆ Für Rechtslauf schieben Sie den Rechts-/Linkslaufschalter (2) nach vorne.
- ◆ Für Linkslauf schieben Sie den Rechts-/Linkslaufschalter (2) nach hinten.
- ◆ Um das Gerät zu verriegeln, schieben Sie den Rechts-/ Linkslaufschalter in die Mittelstellung.

Bohren/Schrauben

- ◆ Wählen Sie mit Hilfe des Rechts-/Linkslaufschalters (2) Rechts- bzw. Linkslauf.
- ◆ Um das Werkzeug einzuschalten, drücken Sie auf den Ein-/Ausschalter (1).
- ◆ Um das Werkzeug auszuschalten, lassen Sie den Ein-/ Ausschalter (1) los.

LED-Leuchte

Die LED-Leuchte (4) leuchtet automatisch auf, sobald der Auslöser gedrückt wird. Die LED leuchtet auch, wenn der Auslöser gedrückt wird und sich der Rechts-/Linkslaufschalter (2) in der arretierten Stellung (Mittelstellung) befindet.

Hinweise für optimale Arbeitsergebnisse

Schrauben

- ◆ Verwenden Sie immer ein Schraubendreher-Bit des richtigen Typs und in der richtigen Größe.
- ◆ Falls sich Schrauben schwer eindrehen lassen, tragen Sie etwas Spülmittel oder Seife als Schmiermittel an der Schraube auf.
- ◆ Verwenden Sie die Spindelsicherung, um sehr festsitzende Schrauben zu lösen oder Schrauben fest anzuziehen.
- ◆ Halten Sie das Werkzeug und das Schraubendreher-Bit immer in einer geraden Linie mit der Schraube.
- ◆ Beim Einschrauben in Holz wird empfohlen, eine Vorbohrung mit einer Tiefe entsprechend der Länge der Schraube herzustellen. Durch eine Vorbohrung wird die Schraube geführt und ein Spalten oder Verformen des Holzes verhindert. Die optimale Größe der Vorbohrung geht aus nachfolgender Tabelle hervor.
- ◆ Beim Schrauben in Hartholz müssen Sie ebenfalls ein Durchgangsloch mit einer Tiefe entsprechend der Hälfte der Schraubenlänge herstellen. Die optimale Größe des Durchgangslochs geht aus nachfolgender Tabelle hervor.

Schrauben- größe	Durchmesser der Vorbo- hrung (Weichholz)	Durchmesser der Vorboh- rung (Hartholz)	Durchgangs- loch
Nr. 6 (3,5mm)	2,0mm	2,5mm	3,6mm
Nr. 8 (4mm)	2,5mm	3,0mm	4,5mm
Nr. 10 (5mm)	3,0mm	3,5mm	5,0mm

Bohren

- ◆ Üben Sie immer einen leichten Druck in Richtung der Bohrspitze aus.
- ◆ Sobald Sie spüren, daß das Werkstück fast durchbohrt ist, reduzieren Sie schrittweise den Druck auf die Bohrspitze, bis der Bohrvorgang beendet ist.
- ◆ Beim Bohren in Materialien, die leicht splintern oder ausreißen, sollten Sie einen Holzklötz hinter Ihr Werkstück legen.
- ◆ Markieren Sie die Bohrstelle mit Hilfe eines Bohrkörners, um ein positionsgenaueres Bohren zu gewährleisten.

Zubehör

Die Leistung Ihres Geräts hängt vom verwendeten Zubehör ab. Black & Decker und Piranha Zubehör ist nach hohen Qualitätsnormen gefertigt und dafür ausgelegt, die Leistung Ihres Geräts zu steigern.

Durch Verwendung dieses Zubehörs erzielen Sie die größtmögliche Leistung Ihres Geräts.

Dieses Werkzeug ist für Schrauberklingen mit einem 6,35-mm-Sechskantschaft (1/4") geeignet. Piranha Super-lok- Zubehör ist für den Gebrauch mit diesem Gerät konstruiert.

Wartung

Ihr netz- oder akkubetriebenes Black & Decker Gerät/ Werkzeug wurde im Hinblick auf eine lange Lebensdauer und einen möglichst geringen Wartungsaufwand entwickelt. Ein dauerhafter, einwandfreier Betrieb setzt eine regelmäßige Pflege und Reinigung voraus. Ihr Ladegerät bedarf keinerlei Wartung außer einer regelmäßigen Reinigung.

Achtung! Schalten Sie das Werkzeug vor der Durchführung von Wartungsarbeiten aus oder entfernen Sie den Akku aus dem Gerät, falls das Werkzeug einen separaten Akku hat. Ist der Akku eingebaut, lassen Sie das Gerät laufen, bis der Akku vollständig leer ist. Ziehen Sie den Netzstecker des Ladegeräts aus der Steckdose, bevor Sie es reinigen.

- ◆ Reinigen Sie regelmäßig die Lüftungsschlitze im Gerät und Ladegerät mit Hilfe einer weichen Bürste oder eines trockenen Tuches.
- ◆ Reinigen Sie regelmäßig das Motorgehäuse mit Hilfe eines feuchten Tuches. Verwenden Sie keine scheuernden Reinigungsmittel oder Reinigungsmittel auf Lösungsmittelbasis.
- ◆ Reinigen Sie regelmäßig das Spannfutter (falls angebracht), indem Sie es öffnen und durch leichtes Klopfen den Staub aus dem Inneren entfernen.

Umweltschutz



Getrennte Entsorgung. Dieses Produkt darf nicht über den normalen Hausmüll entsorgt werden.

Sollte Ihr Black & Decker Produkt eines Tages erneuert werden müssen, oder falls Sie es nicht weiter verwenden wollen, so darf es nicht über den Hausmüll entsorgt werden. Stellen Sie dieses Produkt zur getrennten Entsorgung bereit.



Durch die getrennte Entsorgung gebrauchter Produkte und Verpackungen können die Materialien recycelt und wiederverwertet werden. Die Wiederverwertung recycelter Materialien schont die Umwelt und verringert die Nachfrage nach Rohstoffen.

Die regionalen Bestimmungen schreiben unter Umständen die getrennte Entsorgung elektrischer Produkte aus dem Haushalt an Sammelstellen oder seitens des Händlers vor, bei dem Sie das neue Produkt erworben haben.

Black & Decker nimmt Ihre ausgedienten Black & Decker Geräte gern zurück und sorgt für eine umweltfreundliche Entsorgung und Wiederverwertung. Um diesen Dienst zu nutzen, schicken Sie bitte Ihr Produkt zu einer Vertragswerkstatt. Hier wird es dann auf unsere Kosten gesammelt.

Die Adresse der zuständigen Black & Decker Vertretung steht in diesem Handbuch, darüber läßt sich die nächstgelegene Vertragswerkstatt ermitteln. Außerdem ist eine Liste der Vertragswerkstätten und aller Kundendienststellen von Black & Decker sowie der zuständigen Ansprechpartner im Internet zu finden unter: www.2helpU.com

Akkus



Entsorgen Sie leere Akkus am Ende ihrer Lebensdauer auf umweltgerechte Weise:

- ◆ Vermeiden Sie ein Kurzschließen der Akkuan-schlüsse.
- ◆ Werfen Sie den Akku (die Akkus) nicht ins Feuer, da dies zu Personenverletzungen oder einer Explosion führen kann.
- ◆ Entladen Sie den Akku vollständig und entfernen Sie ihn anschließend aus dem Werkzeug.
- ◆ Akkus sind recycelbar. Legen Sie den Akku (die Akkus) in eine geeignete Verpackung, um sicherzustellen, daß die Anschlüsse nicht kurzgeschlossen werden können. Bringen Sie sie zu einer Vertragswerkstatt oder einer Recycling-Station in Ihrer Nähe.

Technische Daten

	KC460LN (H1)
Spannung	V _{DC} 3,6
Leerlaufdrehzahl	min ⁻¹ 180
Festblockier-Drehmoment	Nm 7,7
Maximales Drehmoment	Nm 3,2
Bit-Halter	mm 6,35 (1/4")
Gewicht	kg 0,4

Akku

Spannung	V 3,6
Akkutyp	Li-Ion
Kapazität	1,1/1,3

Ladegerät	905450XX
Netzspannung	V_{AC} 230
Ausgangsspannung	V_{DC} 9
Amperezahl	mA 100
Ladezeit (zirka)	h 12
Gewicht	kg 0,4

Höhe des Schalldrucks gemäß EN 60745:
 Schalldruck (L_{pA}) 58.9 dB(A),
 Unsicherheitsfaktor (K) 3 dB(A)
 Schalleistung (L_{WA}) 69.9 dB(A),
 Unsicherheitsfaktor (K) 3 dB(A)

Gesamtvibrationswerte (Triax-Vektorsumme)
 gemäß EN 60745:
 Bohren in Metall ($a_{h,D}$) 0.979 m/s²,
 Unsicherheitsfaktor (K) 1,5 m/s²
 Schlagloses Schrauben ($a_{h,S}$) 0.247 m/s²,
 Unsicherheitsfaktor (K) 1.5 m/s²

EG-Konformitätserklärung

MASCHINENRICHTLINIE



KC460LN H1

Black & Decker erklärt, daß diese unter "Technische Daten" beschriebenen Produkte folgende Richtlinien erfüllen: 2006/42/EG, EN 60745-1, EN 60745-2-2

Diese Produkte entsprechen außerdem den Richtlinien 2004/108/EG und 2011/65/EU. Weitere Informationen erhalten Sie von Stanley Europe unter der folgenden Adresse. Diese befindet sich auch auf der Rückseite dieser Anleitung.

Wenden Sie sich für weitere Informationen bitte an folgende Black & Decker Anschrift bzw. an die hinten im Handbuch angegebene Anschrift.

Der Unterzeichnete ist für die Zusammenstellung der technischen Datei verantwortlich und gibt diese Erklärung im Namen von Black & Decker ab.



Kevin Hewitt

Vice-President Global Engineering
 Black & Decker Europe, 210 Bath Road, Slough,
 Berkshire, SL1 3YD
 Vereinigtes Königreich
 15/08/2012

Garantie

Black & Decker vertraut auf die Qualität der eigenen Geräte und bietet dem Käufer eine außergewöhnliche Garantie. Diese Garantiezusage versteht sich unbeschadet der gesetzlichen Gewährleistungsansprüche und schränkt diese keinesfalls ein. Sie gilt in sämtlichen Mitgliedsstaaten der Europäischen Union und der Europäischen Freihandelszone EFTA.

Tritt innerhalb von 24 Monaten ab Kaufdatum an einem Gerät von Black & Decker ein auf Material- oder Verarbeitungsfehler zurückzuführender Mangel auf, garantiert Black & Decker den Austausch defekter Teile, die Reparatur von Geräten mit üblichem Verschleiß bzw. den Austausch eines mangelhaften Geräts, ohne den Kunden dabei mehr als unbedingt nötig in Anspruch zu nehmen, allerdings vorbehaltlich folgender Ausnahmen:

- ◆ wenn das Gerät gewerblich, beruflich oder im Verleihgeschäft benutzt wurde;
- ◆ wenn das Gerät mißbräuchlich verwendet oder mit mangelnder Sorgfalt behandelt wurde;
- ◆ wenn das Gerät durch irgendwelche Fremdeinwirkung beschädigt wurde;
- ◆ wenn ein unbefugter Reparaturversuch durch anderes Personal als das einer Vertragswerkstatt oder des Black & Decker-Kundendienstes unternommen wurde.

Zur Inanspruchnahme dieser Garantie ist dem Verkäufer bzw. der Vertragswerkstatt ein Kaufnachweis vorzulegen. Der Kaufnachweis muß Kaufdatum und Gerätetyp bescheinigen. Die Adresse des zuständigen Büros von Black & Decker steht in dieser Anleitung, darüber läßt sich die nächstgelegene Vertragswerkstatt ermitteln. Außerdem ist eine Liste der Vertragswerkstätten und aller Kundendienststellen von Black & Decker sowie der zuständigen Ansprechpartner im Internet zu finden unter: www.2helpU.com

Bitte besuchen Sie unsere Webseite www.blackanddecker.de, um Ihr neues Black & Decker Produkt zu registrieren und über neue Produkte und Sonderangebote aktuell informiert zu werden. Weitere Informationen über die Marke Black & Decker und unsere Produkte finden Sie unter www.blackanddecker.de

Utilisation prévue

Votre tournevis compact Black & Decker a été conçu pour les applications de vissage et pour le perçage du bois, du métal et des matières plastiques. Cet outil a été conçu pour une utilisation exclusivement domestique.

Instructions de sécurité

Consignes de sécurité générales pour les outils électriques



Attention! Prenez connaissance de tous les avertissements de sécurité et de toutes les instructions. Le non-respect des avertissements et des instructions indiqués ci-dessous peut entraîner une électrocution, un incendie ou de graves blessures.

Conservez tous les avertissements et instructions pour référence future. La notion d'« outil électroportatif » mentionnée par la suite se rapporte à des outils électriques raccordés au secteur (avec câble de raccordement) ou fonctionnant sur batteries (sans fil).

1. Sécurité de la zone de travail

- Maintenez la zone de travail propre et bien éclairée.** Un lieu de travail en désordre ou mal éclairé augmente le risque d'accidents.
- N'utilisez pas les outils électroportatifs dans un environnement présentant des risques d'explosion ni en présence de liquides, gaz ou poussières inflammables.** Les outils électroportatifs génèrent des étincelles risquant d'enflammer les poussières ou les vapeurs.
- Tenez les enfants et autres personnes éloignés durant l'utilisation de l'outil électroportatif.** En cas d'inattention, vous risquez de perdre le contrôle sur l'outil.

2. Sécurité électrique

- La fiche de secteur de l'outil électroportatif doit convenir à la prise de courant. Ne modifiez en aucun cas la fiche. N'utilisez pas de fiches d'adaptateur avec des outils ayant une prise de terre.** Les fiches non modifiées et les prises de courant appropriées réduisent le risque d'électrocution.
- Évitez le contact physique avec des surfaces mises à la terre telles que tuyaux, radiateurs, fours et réfrigérateurs.** Il y a un risque élevé d'électrocution si votre corps est relié à la terre.
- N'exposez pas l'outil électroportatif à la pluie ni à l'humidité.** La pénétration d'eau dans un outil électroportatif augmente le risque d'électrocution.

- Préservez le câble d'alimentation. N'utilisez pas le câble à d'autres fins que celles prévues, notamment pour porter l'outil, l'accrocher voire le débrancher de la prise de courant. Maintenez le câble éloigné des sources de chaleur, des parties grasses, des bords tranchants ou des parties de l'outil en rotation.** Un câble endommagé ou enchevêtré augmente le risque d'électrocution.
- Si vous utilisez l'outil électroportatif à l'extérieur, utilisez une rallonge homologuée pour utilisation à l'air libre.** L'utilisation d'une rallonge électrique homologuée pour les applications extérieures réduit le risque d'électrocution.
- Si l'usage d'un outil dans un emplacement humide est inévitable, utilisez une alimentation protégée par un dispositif à courant différentiel résiduel (RCD).** L'usage d'un RCD réduit le risque de choc électrique.

3. Sécurité personnelle

- Restez vigilant, surveillez ce que vous faites. Faites preuve de bon sens quand vous utilisez l'outil électroportatif. N'utilisez pas l'outil lorsque vous êtes fatigué ou après avoir consommé de l'alcool, des drogues voire des médicaments.** Un moment d'inattention lors de l'utilisation de l'outil peut entraîner de graves blessures.
- Utilisez un équipement de protection personnelle. Portez toujours une protection pour les yeux.** Les équipements de protection personnelle tels que les masques anti-poussières, chaussures de sécurité antidérapantes, casques ou protections acoustiques utilisés dans des conditions appropriées réduisent les blessures.
- Évitez toute mise en marche involontaire. Vérifiez que l'interrupteur est en position arrêt avant de brancher l'outil au secteur ou au bloc de batteries, de le prendre ou de le porter.** Transporter les outils en avec le doigt sur l'interrupteur ou les brancher avec l'interrupteur en position de marche est une source d'accidents.
- Enlevez tout outil ou clé de réglage avant de mettre l'outil en marche.** Une clé ou un outil se trouvant sur une partie en rotation peut causer des blessures.
- Adoptez une position confortable. Adoptez une position stable et gardez votre équilibre à tout moment.** Vous contrôlerez mieux l'outil dans des situations inattendues.
- Portez des vêtements appropriés. Ne portez pas de vêtements flottants ou de bijoux.**

N'approchez pas les cheveux, vêtements ou gants des parties des pièces mobiles. Les vêtements amples, les bijoux ou les cheveux longs peuvent être attrapés dans les pièces en mouvement.

- g. Si des dispositifs servant à aspirer ou à recueillir les poussières doivent être utilisés, vérifiez qu'ils sont correctement raccordés et utilisés.** Le fait d'aspirer la poussière permet de réduire les risques inhérents à la poussière.
- 4. Utilisation des outils électroportatifs et précautions**
 - a. Ne surchargez pas l'outil. Utilisez l'outil électroportatif approprié pour le travail à effectuer.** Avec l'outil électroportatif approprié, vous travaillerez mieux et avec plus de sécurité à la vitesse pour laquelle il a été conçu.
 - b. N'utilisez pas un outil électroportatif dont l'interrupteur est défectueux.** Un outil électroportatif qui ne peut plus être mis en ou hors fonctionnement est dangereux et doit être réparé.
 - c. Déconnectez la prise de la source d'alimentation ou le pack-batterie de l'outil électrique avant tout réglage, changement d'accessoire voire rangement des outils électriques.** Cette mesure de précaution empêche une mise en marche par mégarde.
 - d. Rangez les outils électroportatifs hors de portée des enfants. Ne laissez pas les personnes n'étant pas familiarisées avec l'outil ou n'ayant pas lu ces instructions l'utiliser.** Les outils électroportatifs sont dangereux lorsqu'ils sont utilisés par des personnes non initiées.
 - e. Prenez soin des outils électroportatifs. Vérifiez que les parties en mouvement fonctionnent correctement et qu'elles ne sont pas coincées ; vérifiez qu'il n'y a pas de pièces cassées ou endommagées susceptibles de nuire au bon fonctionnement de l'outil. S'il est endommagé, faites réparer l'outil avant de l'utiliser.** De nombreux accidents sont dus à des outils électroportatifs mal entretenus.
 - f. Maintenez les outils de coupe aiguisés et propres.** Des outils soigneusement entretenus avec des bords tranchants bien aiguisés se coincent moins souvent et peuvent être guidés plus facilement.
 - g. Utilisez l'outil électrique, les accessoires et forets, etc. conformément à ces instructions, en tenant compte des conditions de travail et des tâches à effectuer.** L'utilisation

des outils électroportatifs à d'autres fins que celles prévues peut entraîner des situations dangereuses.

- 5. Utilisation des outils à batterie et précautions**
 - a. Rechargez la batterie uniquement avec le chargeur spécifié par le fabricant.** Un chargeur prévu pour un type de batterie présente un risque d'incendie s'il est utilisé avec un autre type de batterie.
 - b. Utilisez les outils électroportatifs uniquement avec les batteries spécifiquement conçues pour eux.** L'utilisation d'autres batteries peut comporter un risque de blessures ou d'incendie.
 - c. Quand vous ne l'utilisez pas, rangez la batterie loin d'autres objets métalliques tels que trombones, pièces, clous, vis ou autres pouvant créer une connexion entre deux bornes.** Court-circuiter les bornes du pack-batteries peut provoquer des brûlures ou un incendie.
 - d. Dans des conditions inappropriées, la batterie peut rejeter du liquide. Évitez le contact. Si un contact accidentel se produit, rincez à l'eau. Si le liquide touche les yeux, consultez un médecin.** Le liquide rejeté par la batterie peut causer une irritation cutanée ou des brûlures.
- 6. Réparations**
 - a. Faites réparer votre outil électroportatif uniquement par du personnel qualifié et seulement avec des pièces de rechange d'origine.** Cela garantira le maintien de la sécurité de votre outil.

Avertissements de sécurité supplémentaires pour les outils électriques



Attention! Avertissements de sécurité additionnels pour les tournevis et clés pneumatiques

- ◆ **Tenez l'outil uniquement par les surfaces isolées des poignées si l'opération effectuée peut mettre la visserie en contact avec des câbles électriques cachés ou son propre cordon électrique.** Le contact d'une fixation avec un câble sous tension met les parties métalliques de l'outil sous tension et peut provoquer une électrocution de l'utilisateur.

- ◆ **Portez une protection auditive avec les clés pneumatiques.** L'exposition au bruit peut causer des pertes de l'audition.
- ◆ **Utilisez les poignées additionnelles fournies avec l'outil.** Une perte de contrôle peut provoquer des blessures.
- ◆ **Utilisez des fixations ou tout autre moyen pratique pour fixer et soutenir la pièce à ouvrir sur une plate-forme stable.** Si vous tenez la pièce à la main ou contre votre corps, elle est instable et vous pouvez en perdre le contrôle.
- ◆ Avant de visser des fixations dans les murs, les planchers ou les plafonds, vérifiez l'emplacement des fils électriques et des tuyaux.
- ◆ Cet outil n'est pas destiné à être utilisé par des personnes (notamment des enfants) présentant des capacités physiques, sensorielles ou mentales limitées voire dépourvues de connaissance et d'expérience, sauf si elles sont supervisées ou ont reçu des instructions pour l'usage de l'appareil par une personne responsable de leur sécurité. Les enfants ne doivent pas jouer avec l'appareil.
- ◆ Le domaine d'utilisation de l'outil est décrit dans le présent manuel. L'utilisation d'accessoires ou la réalisation d'opérations avec cet outil autres que ceux recommandés dans le présent manuel peut entraîner un risque de blessure ou de dégâts.

Sécurité des tiers

- ◆ Cet appareil n'est pas destiné à être utilisé par des personnes (notamment des enfants) présentant des capacités physiques, sensorielles ou mentales limitées voire dépourvues de connaissance et d'expérience, sauf si elles sont supervisées ou ont reçu des instructions pour l'usage de l'appareil par une personne responsable de leur sécurité.
- ◆ Les enfants ne doivent pas jouer avec l'appareil.

Risques résiduels.

L'utilisation d'un outil non mentionné dans les consignes de sécurité données peut entraîner des risques résiduels supplémentaires. Ces risques peuvent survenir si l'outil est mal utilisé, si l'utilisation est prolongée, etc.

Malgré l'application des normes de sécurité correspondantes et la présence de dispositifs de sécurité, les risques résiduels suivants ne peuvent être évités. Ceci comprend :

- ◆ **Les blessures dues au contact avec une pièce mobile/en rotation.**

- ◆ **Les blessures causées en changeant des pièces, lames ou accessoires.**
- ◆ **Les blessures dues à l'utilisation prolongée d'un outil. Une utilisation prolongée de l'outil nécessite des pauses régulières.**
- ◆ **Déficience auditive.**
- ◆ **Risques pour la santé causés par l'inhalation de poussières produites pendant l'utilisation de l'outil (exemple : travail avec du bois, surtout le chêne, le hêtre et les panneaux en MDF).**

Vibration

Les valeurs des émissions de vibrations mentionnées dans les données techniques et la déclaration de conformité ont été mesurées conformément à la méthode de test normalisée indiquée par EN 60745 et permettent les comparaisons entre outils. Les valeurs des émissions de vibrations peuvent également servir à une évaluation préliminaire de l'exposition.

Attention! Les valeurs des émissions de vibrations en utilisant réellement l'outil peuvent différer des valeurs déclarées en fonction du mode d'usage de l'outil. Le niveau de vibration peut dépasser le niveau indiqué.

Pour évaluer l'exposition aux vibrations afin de déterminer les mesures de sécurité imposées par 2002/44/CE pour protéger les personnes utilisant régulièrement des outils électriques, une estimation de l'exposition aux vibrations devrait prendre en compte les conditions réelles et le mode d'utilisation de l'outil, notamment l'ensemble du cycle de fonctionnement ainsi l'arrêt de l'outil et son fonctionnement au ralenti, outre le démarrage.

Étiquettes apposées sur l'outil

Les pictogrammes suivants sont présents sur l'outil:



Attention! Afin de réduire les risques de blessures, l'utilisateur doit lire le manuel d'instructions.

Instructions de sécurité supplémentaires pour les batteries et chargeurs

Batteries

- ◆ Ne tentez jamais d'ouvrir pour quelque raison que ce soit.
- ◆ N'exposez pas la batterie à l'humidité.
- ◆ N'exposez pas la batterie à la chaleur.
- ◆ Ne stockez pas dans des endroits où la température peut dépasser 40 °C.

- ◆ Chargez uniquement à température ambiante, entre 10 °C et 40 °C.
- ◆ Chargez uniquement en utilisant le chargeur fourni avec l'outil.
- ◆ Lorsque vous jetez des batteries, suivez les instructions données à la section « Protection de l'environnement ».
- ◆ N'endommagez et ne déformez pas la batterie (piqûre ou impact). Vous pourriez créer un risque de blessure ou d'incendie.
- ◆ Ne chargez pas les batteries endommagées.
- ◆ Dans des conditions extrêmes, une batterie peut fuir. Si vous remarquez du liquide sur les batteries, essuyez-le soigneusement à l'aide d'un chiffon. Évitez le contact avec la peau.
- ◆ En cas de contact avec la peau ou les yeux, suivez les instructions ci-dessous.

Attention! Le liquide de batterie peut causer des blessures ou des dégâts. En cas de contact avec la peau, rincez abondamment à l'eau. En présence de rougeurs, de douleurs ou d'irritations, consultez un médecin. En cas de contact avec les yeux, rincez-les immédiatement à l'eau claire et consultez un médecin.

Chargeurs

Votre chargeur a été conçu pour une tension spécifique. Vérifiez toujours que la tension du secteur correspond à la tension indiquée sur la plaque d'identification.

Attention! Ne tentez jamais de remplacer le chargeur par une prise au secteur normale.

- ◆ Utilisez uniquement votre chargeur Black & Decker pour charger les batteries fournies avec votre outil ou de même type et modèle. D'autres batteries pourraient exploser et causer des dommages ou blessures.
- ◆ Ne tentez jamais de charger des batteries non rechargeables.
- ◆ Si le câble d'alimentation est endommagé, il doit être remplacé par le fabricant ou par un centre de réparation agréé Black & Decker afin d'éviter tout accident.
- ◆ Remplacez immédiatement les fils électriques défectueux.
- ◆ Ne mettez pas le chargeur en contact avec de l'eau.
- ◆ N'ouvrez pas le chargeur.
- ◆ Ne testez pas le chargeur.
- ◆ Pendant la charge, l'appareil/outil/batterie doit être placé dans une zone bien ventilée.



Lisez le manuel d'instruction avant utilisation.



Transformateur à sécurité intrinsèque. L'alimentation secteur est électriquement séparée de la sortie du transformateur.



Le chargeur s'arrête automatiquement si la température ambiante est trop élevée. Par conséquent, le chargeur devient inutilisable. L'unité doit être débranchée du secteur puis apportée à un centre d'entretien agréé pour réparation.

Sécurité électrique



Votre chargeur est doublement isolé ; par conséquent, aucun câble de masse n'est nécessaire. Vérifiez toujours que la tension du secteur correspond à la tension indiquée sur la plaque d'identification.

- ◆ Si le câble d'alimentation est endommagé, il doit être remplacé par le fabricant ou par un centre de réparation agréé Black & Decker afin d'éviter tout accident.
- ◆ **Attention!** Ne tentez jamais de remplacer le chargeur par une prise au secteur normale.

Caractéristiques

1. Bouton marche/arrêt
2. Sélecteur de rotation droite / gauche
3. Porte-embout
4. Témoin DEL

Fig. A

5. Chargeur
6. Prise de chargeur

Montage

Installation et retrait d'un foret de perçage ou de vissage (fig. B)

Cet outil utilise des forets de vissage et de perçage avec une queue hexagonale de 6,35 mm.

- ◆ Pour mettre en place un embout, insérez sa tige dans le support d'embout (3).
- ◆ Pour retirer un embout, tirez sa tige hors du support d'embout (3).

Utilisation

Attention! Laissez l'outil fonctionner à sa propre vitesse. Ne le surchargez pas.

- ◆ Chargez la batterie pendant au moins 9 heures avant la première utilisation.



Le chargeur a été conçu pour être utilisé uniquement à l'intérieur.

Chargement de la batterie (fig. C)

- ◆ Insérez la prise de chargeur (6) dans le connecteur (7).
- ◆ Branchez le chargeur (5).
- ◆ Laissez l'outil branché sur le chargeur pendant 12 heures.

Le chargeur peut siffler et chauffer pendant le chargement ; c'est normal et n'indique pas de problème particulier.

Attention! Ne chargez pas la batterie à une température ambiante inférieure à 10 °C ou supérieure à 40 °C.

Sélection du sens de rotation (fig. D)

Pour le perçage et le serrage des vis, utilisez la rotation vers l'avant. Pour desserrer les vis ou enlever un foret de perçage coincé, utilisez la rotation vers l'arrière.

- ◆ Pour sélectionner la rotation vers l'avant, poussez le sélecteur de rotation droite / gauche (2) vers la position avant.
- ◆ Pour sélectionner la rotation vers l'arrière, poussez le sélecteur de rotation droite / gauche (2) vers la position arrière.
- ◆ Pour verrouiller l'outil, réglez le sélecteur de rotation droite / gauche sur la position centrale.

Perçage / vissage

- ◆ Sélectionnez la rotation vers la droite ou la gauche à l'aide du sélecteur de rotation droite / gauche (2).
- ◆ Pour allumer l'outil, appuyez sur l'interrupteur marche/arrêt (1).
- ◆ Pour éteindre l'outil, relâchez l'interrupteur marche/arrêt (1).

Témoin DEL

Le témoin DEL (4) s'active automatiquement lorsque la gâchette est enfoncée. Le témoin DEL s'allume également lorsque la gâchette est enfoncée et que le sélecteur avant/ arrière (2) est en position débloqué (position centrale).

Conseils pour une utilisation optimale

Vissage

- ◆ Utilisez toujours le bon type et la bonne taille d'embout de tournevis.
- ◆ Si les vis sont difficiles à serrer, essayez d'appliquer un petit peu de liquide vaisselle ou de savon comme lubrifiant.
- ◆ Utilisez le verrouillage de l'arbre pour dévisser des vis très serrées ou pour les visser à fond.
- ◆ Tenez toujours l'outil et l'embout de tournevis en ligne droite par rapport à la vis.

- ◆ Lorsque vous vissez dans du bois, nous vous conseillons de percer un orifice de guidage d'une profondeur égale à la longueur de la vis. Un orifice de guidage permet de guider la vis et l'empêche de faire éclater ou de tordre le bois. Vous trouverez dans le tableau ci-dessous des conseils pour bien déterminer la taille idéale de l'orifice de guidage à percer.
- ◆ Lorsque vous devez visser dans un bois dur, percez aussi un orifice de passage d'une profondeur égale à la moitié de la longueur de la vis. Vous trouverez dans le tableau ci-dessous des conseils pour bien déterminer la taille idéale de l'orifice de passage à percer.

Taille de la vis	Orifice de guidage ø (bois tendre)	Orifice de guidage ø (bois dur)	Orifice de passage
No. 6 (3,5mm)	2,0mm	2,5mm	3,6mm
No. 8 (4mm)	2,5mm	3,0mm	4,5mm
No. 10 (5mm)	3,0mm	3,5mm	5,0mm

Perçage

- ◆ Appliquez toujours une pression légère et rectiligne avec le foret de perçage.
- ◆ Juste avant que le foret de perçage ne passe de l'autre côté de la pièce, diminuez la pression sur l'outil.
- ◆ Utilisez un bloc de bois pour protéger les pièces pouvant se briser.
- ◆ Faites une entaille à l'aide d'une contrepointe de centrage au centre de l'orifice à percer afin d'améliorer la précision.

Accessoires

Les performances de votre outil dépendent de l'accessoire que vous utilisez. Les accessoires Black & Decker et Piranha sont conçus selon les normes de haute qualité pour améliorer les performances de votre outil. En utilisant ces accessoires, vous obtiendrez les meilleurs résultats de votre outil.

Cet outil utilise des embouts de tournevis avec une queue hexagonale de 6,35mm (1/4"). Les accessoires Piranha Super-lok sont conçus pour être utilisés avec cet outil.

Entretien

Votre appareil/outil Black & Decker avec/sans fil a été conçu pour fonctionner pendant longtemps avec un minimum d'entretien. Un fonctionnement continu satisfaisant dépend d'un nettoyage régulier et d'un entretien approprié de l'outil. Votre chargeur ne nécessite aucun entretien autre qu'un nettoyage régulier.

Attention! Avant toute opération d'entretien sur l'outil, éteignez et débranchez-le ou retirez sa batterie (le cas échéant). Si la batterie est intégrée, épuisez-la complètement. Débranchez le chargeur avant de le nettoyer.

- ◆ Nettoyez régulièrement les orifices de ventilation de votre outil et le chargeur à l'aide d'une brosse douce ou d'un chiffon sec.
- ◆ Nettoyez régulièrement le compartiment du moteur à l'aide d'un chiffon humide. N'utilisez pas de produit abrasif ou à base de solvant.
- ◆ Ouvrez régulièrement le mandrin (le cas échéant) et tapotez dessus pour retirer toute poussière à l'intérieur.

Protection de l'environnement



Collecte séparée. Ce produit ne doit pas être jeté avec les déchets domestiques normaux.

Si vous décidez de remplacer ce produit Black & Decker, ou si vous n'en avez plus l'utilité, ne le jetez pas avec vos déchets domestiques. Rendez-le disponible pour une collecte séparée.



La collecte séparée des produits et emballages usés permet le recyclage des articles afin de les utiliser à nouveau. Le fait d'utiliser à nouveau des produits recyclés permet d'éviter la pollution environnementale et de réduire la demande de matières premières.

Les réglementations locales peuvent permettre la collecte séparée des produits électriques du foyer, dans des déchetteries municipales ou auprès du revendeur vous ayant vendu votre nouveau produit.

Black & Decker fournit un dispositif permettant de collecter et de recycler les produits Black & Decker lorsqu'ils ont atteint la fin de leur cycle de vie. Pour pouvoir profiter de ce service, veuillez retourner votre produit à un réparateur agréé qui se chargera de le collecter pour nous.

Pour connaître l'adresse du réparateur agréé le plus proche de chez vous, contactez le bureau Black & Decker à l'adresse indiquée dans ce manuel. Vous pourrez aussi trouver une liste des réparateurs agréés de Black & Decker et de plus amples détails sur notre service après-vente sur le site Internet à l'adresse suivante: www.2helpU.com

Batteries



A la fin de leur durée de vie technique, jetez les batteries en respectant l'environnement:

- ◆ Évitez de provoquer un court-circuit entre les bornes de la batterie.
- ◆ Ne jetez pas la ou les batteries au feu libre au risque de blessures voire d'explosion.
- ◆ Videz complètement la batterie, puis retirez-la de l'outil.
- ◆ Les batteries sont recyclables. Placez la ou les batteries dans un emballage adapté pour éviter toute possibilité d'un court-circuit entre les bornes. Apportez-les à votre réparateur agréé ou à un centre de recyclage local.

Caractéristiques techniques

KC460LN (H1)	
Voltage	V _{DC} 3,6
Vitesse à vide	min ⁻¹ 180
Couple au blocage	Nm 7,7
Couple max.	Nm 3,2
Porte-embout	mm 6,35 (1/4")
Poids	kg 0,4

Batterie

Tension	V 3,6
Type de batterie	Li-Ion
Ampérage	AHr 1,1/1,3

Chargeur

905450XX	
Tension secteur	V _{AC} 230
Tension de sortie	V _{DC} 9
Ampérage	mA 100
Temps de chargement approx.	h 12
Poids	kg 0,4

Niveau de pression acoustique selon EN 60745 :

Pression acoustique (L_{PA}) 58.9 dB(A),
incertitude (K) 3 dB(A)

Puissance acoustique (L_{WA}) 69.9 dB(A),
incertitude (K) 3 dB(A)

Valeurs totales de vibration

(somme vectorielle triax) selon EN 60745 :

Perçage dans le métal (a_{h,D}) 0.979 m/s²,
incertitude (K) 1.5 m/s²

Vissage sans percussion (a_{h,S}) 0.247 m/s²,
incertitude (K) 1.5 m/s²

Déclaration de conformité CE

DIRECTIVE MACHINES



KC460LN H1

Black & Decker déclare que ces produits décrits sous les "caractéristiques techniques" sont conformes avec : 2006/42/CE, EN 60745-1, EN 60745-2-2

Ces produits sont conformes aux normes 2004/108/CE et 2011/65/UE. Pour plus de détails, veuillez contacter Stanley Europe à l'adresse suivante ou reportez-vous au dos du manuel.

Pour en savoir plus, veuillez contacter Black & Decker à l'adresse suivante ou consultez le dos du manuel.

Le soussigné est responsable de la compilation du fichier technique et effectue cette déclaration au nom de Black & Decker.

Kevin Hewitt

Vice-président Ingénierie globale
Black & Decker Europe, 210 Bath Road, Slough,
Berkshire, SL1 3YD
Royaume Uni
15/08/2012

- ◆ Des réparations ont été tentées par des techniciens ne faisant pas partie du service technique de Black & Decker.

Pour avoir recours à la garantie, il est nécessaire de fournir une preuve d'achat au vendeur ou à un réparateur agréé. Pour connaître l'adresse du réparateur agréé le plus proche de chez vous, contactez le bureau Black & Decker à l'adresse indiquée dans ce manuel. Vous pourrez aussi trouver une liste des réparateurs agréés de Black & Decker et de plus amples détails sur notre service après-vente sur le site Internet à l'adresse suivante: **www.2helpU.com**

Visitez notre site Web **www.blackanddecker.fr** pour enregistrer votre nouveau produit Black & Decker et être informé des nouveaux produits et des offres spéciales. Pour plus d'informations concernant la marque Black & Decker et notre gamme de produits, consultez notre site **www.blackanddecker.fr**

Garantie

Black & Decker est confiant dans la qualité de ses produits et vous offre une garantie très étendue. Ce certificat de garantie est un document supplémentaire et ne peut en aucun cas se substituer à vos droits légaux. La garantie est valable sur tout le territoire des Etats Membres de l'Union Européenne et de la Zone de Libre Echange Européenne.

Si un produit Black & Decker s'avère défectueux en raison de matériaux en mauvaises conditions, d'une erreur humaine, ou d'un manque de conformité dans les 24 mois suivant la date d'achat, Black & Decker garantit le remplacement des pièces défectueuses, la réparation des produits usés ou cassés ou remplace ces produits à la convenance du client, sauf dans les circonstances suivantes:

- ◆ Le produit a été utilisé dans un but commercial, professionnel, ou a été loué.
- ◆ Le produit a été mal utilisé ou avec négligence.
- ◆ Le produit a subi des dommages à cause d'objets étrangers, de substances ou à cause d'accidents.

Použití výrobku

Váš kompaktní šroubovák Black & Decker je určen pro šroubování a vrtání do dřeva, kovu a plastů. Toto nářadí je určeno pouze pro spotřebitelské použití.

Bezpečnostní pokyny

Všeobecné bezpečnostní pokyny pro práci s elektrickým nářadím



Varování! Pozorně si přečtěte veškerá bezpečnostní varování a pokyny. Nedodržení níže uvedených pokynů může mít za následek úraz elektrickým proudem, vznik požáru nebo vážné poranění.

Veškerá bezpečnostní varování a pokyny uschovejte pro případné další použití. Označení elektrické nářadí ve všech níže uvedených upozorněních odkazuje na vaše nářadí napájené ze sítě (obsahuje napájecí kabel) nebo nářadí napájené bateriemi (bez napájecího kabelu).

1. Bezpečnost v pracovním prostoru

- Udržujte pracovní prostor v čistotě a dobře osvětlený.** Nepořádek na pracovním stole a nedostatek světla v jeho okolí vedou k nehodám.
- S elektrickým nářadím nepracujte ve výbušných prostorách, jako jsou například prostory s výskytem hořlavých kapalin, plynů nebo prašných látek.** Elektrické nářadí je zdrojem jiskření, které může způsobit vznícení hořlavin.
- Při práci s elektrickým nářadím udržujte děti a okolní osoby mimo jeho dosah.** Rozptylování může způsobit ztrátu kontroly nad nářadím.

2. Elektrická bezpečnost

- Zástrčka napájecího kabelu nářadí musí odpovídat zásuvce. Zástrčku nikdy žádným způsobem neupravujte. Nepoužívejte u uzemněného elektrického nářadí žádné upravené zástrčky.** Neupravované zástrčky a odpovídající zásuvky snižují riziko vzniku úrazu elektrickým proudem.
- Nedotýkejte se uzemněných povrchů, jako jsou například potrubí, radiátory, elektrické sporáky a chladničky.** Při uzemnění vašeho těla hrozí zvýšené nebezpečí úrazu elektrickým proudem.
- Nevystavujte elektrické nářadí dešti nebo vlhkému prostředí.** Pokud do nářadí vnikne voda, zvyší se riziko úrazu elektrickým proudem.
- S napájecím kabelem zacházejte opatrně. Nikdy nepoužívejte napájecí kabel k přenášení nářadí, k jeho posouvání a při odpojování nářadí od elektrické sítě za něj netahejte. Dbejte na to, aby se kabel nedostal do**

kontaktu s mastnými, horkými a ostrými předměty a s pohyblivými částmi nářadí. Poškozený nebo zauzlený napájecí kabel zvyšuje riziko úrazu elektrickým proudem.

- Pracujete-li s nářadím venku, používejte prodlužovací kabely určené pro venkovní použití.** Použití kabelu určeného k venkovnímu použití snižuje riziko úrazu elektrickým proudem.
 - Musíte-li s elektrickým nářadím pracovat ve vlhkém prostředí, použijte napájecí zdroj s proudovým chráničem (RCD).** Použití proudového chrániče (RCD) snižuje riziko úrazu elektrickým proudem.
- Bezpečnostní obsluhy**
 - Při práci s elektrickým nářadím zůstaňte stále pozorní, sledujte, co provádíte a přemýšlejte. Nepoužívejte elektrické nářadí, jste-li unaveni, pod vlivem drog, alkoholu nebo léků.** Chvilka nepozornosti při práci s elektrickým nářadím může vést k vážnému úrazu.
 - Používejte prvky osobní ochrany. Vždy používejte vhodnou ochranu zraku.** Ochranné prostředky jako respirátor, neklouzavá pracovní obuv, přilba a chrániče sluchu, používané v příslušných podmínkách, snižují riziko poranění osob.
 - Zabraňte náhodnému spuštění. Před připojením zdroje napětí nebo před vložením baterie a před zvednutím nebo přenášením nářadí zkontrolujte, zda je vypnutý hlavní spínač.** Přenášení elektrického nářadí s prstem na hlavním spínači nebo připojení napájecího kabelu k elektrické síti, je-li hlavní spínač nářadí v poloze zapnuto, může způsobit úraz.
 - Před spuštěním nářadí se vždy ujistěte, zda nejsou v jeho blízkosti klíče nebo seřizovací přípravky.** Seřizovací klíče ponechané na nářadí mohou být zachyceny rotujícími částmi nářadí a mohou způsobit úraz.
 - Nepřekázejte sami sobě. Při práci vždy udržujte vhodný a pevný postoj.** Tak je umožněna lepší ovladatelnost nářadí v neočekávaných situacích.
 - Vhodně se oblékejte. Nenoste volný oděv nebo šperky. Dbejte na to, aby se vaše vlasy, oděv a rukavice nedostaly do kontaktu s pohyblivými částmi.** Volný oděv, šperky nebo dlouhé vlasy mohou být pohyblivými díly zachyceny.
 - Pokud jsou zařízení vybavena adaptérem pro připojení odsávacího zařízení a sběrných zásobníků, zajistěte jejich správné připojení**

a řádnou funkci. Použití těchto zařízení může snížit nebezpečí týkající se prachu.

4. **Použití elektrického nářadí a jeho údržba**
 - a. **Elektrické nářadí nepřetěžujte. Používejte správný typ nářadí pro prováděnou práci.** Při použití správného typu nářadí bude práce provedena lépe a bezpečněji.
 - b. **Pokud nelze hlavní spínač nářadí zapnout a vypnout, s nářadím nepracujte.** Každé elektrické nářadí s nefunkčním hlavním spínačem je nebezpečné a musí být opraveno.
 - c. **Před výměnou jakýchkoli částí, příslušenství či jiných připojených součástí, před prováděním servisu nebo pokud nářadí nepoužíváte, odpojte jej od elektrické sítě nebo vyjměte baterii.** Tato preventivní bezpečnostní opatření snižují riziko náhodného spuštění nářadí.
 - d. **Pokud nářadí nepoužíváte, uložte jej mimo dosah dětí a zabraňte tomu, aby bylo toto nářadí použito osobami, které nejsou seznámeny s jeho obsluhou nebo s tímto návodem.** Elektrické nářadí je v rukou nekvalifikované obsluhy nebezpečné.
 - e. **Údržba elektrického nářadí. Zkontrolujte vychýlení nebo zaseknutí pohyblivých částí, poškození jednotlivých dílů a jiné okolnosti, které mohou mít vliv na chod nářadí. Je-li nářadí poškozeno, nechte jej před použitím opravit.** Mnoho nehod vzniká v důsledku nedostatečné údržby nářadí.
 - f. **Řezné nástroje udržujte ostré a čisté.** Řádně udržované řezné nástroje s ostrými břity se méně zanáší a lépe se ovládají.
 - g. **Používejte elektrické nářadí, příslušenství a držáky nástrojů podle těchto pokynů a berzte v úvahu provozní podmínky a práci, která bude prováděna.** Použití elektrického nářadí k jiným účelům, než k jakým je určeno, může být nebezpečné.
5. **Použití nářadí napájeného baterií a jeho údržba**
 - a. **Nabíjejte baterie pouze v nabíječce určené výrobcem.** Nabíječka vhodná pro jeden typ baterie může při vložení jiného nevhodného typu baterie způsobit požár.
 - b. **Používejte elektrické nářadí výhradně s bateriemi, které jsou určeny pro daný typ nářadí.** Použití jiných typů baterií může způsobit požár nebo zranění.
 - c. **Pokud baterii nepoužíváte, uložte ji mimo dosah kovových předmětů, jako jsou kancelářské sponky, mince, klíče, hřebíky,**

šroubky nebo jiné drobné kovové předměty, které mohou způsobit zkratování kontaktů baterie. Zkratování kontaktů baterie může způsobit spáleniny nebo požár.

- d. **V nevhodných podmínkách může z baterie unikat kapalina. Vyvarujte se kontaktu s touto kapalinou. Pokud se kapalinou náhodně potřísníte, zasažené místo omyjte vodou. Dostane-li se vám tato kapalina do očí, ihned si je vypláchněte vodou a vyhledejte lékařskou pomoc.** Unikající kapalina z baterie může způsobit podráždění pokožky nebo popáleniny.
6. **Opravy**
 - a. **Svěřte opravu vašeho elektrického nářadí pouze osobě s příslušnou kvalifikací, která bude používat výhradně originální náhradní díly.** Tím zajistíte bezpečný provoz nářadí.

Doplňkové bezpečnostní pokyny pro práci s elektrickým nářadím



Varování! Doplnkové bezpečnostní pokyny pro šroubováky a rázové klíče

- ♦ **Při pracovních operacích, u kterých by mohlo dojít ke kontaktu se skrytými vodiči nebo s vlastním napájecím kabelem, držte elektrické nářadí vždy za izolované rukojeti.** Při kontaktu s „živým“ vodičem se nechráněné kovové části nářadí stanou také „živé“ a obsluha utrpí zásah elektrickým proudem.
- ♦ **Při použití rázového klíče používejte ochranu sluchu.** Nadměrná hlučnost může způsobit ztrátu sluchu.
- ♦ **Používejte přidavné rukojeti dodávané s nářadím.** Ztráta kontroly nad nářadím může vést k úrazu.
- ♦ **Pro zajištění a upnutí obrobku k pracovnímu stolu používejte svorky nebo jiné vhodné prostředky.** Držení obrobku rukou nebo opření obrobku o část těla nezajistí jeho stabilitu a může vést k ztrátě kontroly.
- ♦ **Před šroubováním šroubů do zdí, podlah nebo stropů nejdříve zkontrolujte polohu potrubí a elektrických vodičů.**
- ♦ **Toto nářadí není určeno pro použití osobami (včetně dětí) se sníženými fyzickými, smyslovými nebo duševními schopnostmi, nebo s nedostatkem zkušeností a znalostí, pokud těmto osobám nebyl stanoven dohled, nebo pokud jim nebyly poskytnuty instrukce týkající se použití výrobku osobou odpovědnou za jejich bezpečnost.** Děti by měly být pod dozorem, aby si s nářadím nehrály.

- ◆ Použití tohoto výrobku je popsáno v tomto návodu k obsluze. Použití jiného příslušenství nebo přídavného zařízení a provádění jiných pracovních operací než je doporučeno tímto návodem, může představovat riziko zranění obsluhy nebo riziko hmotných škod.

Bezpečnost ostatních osob

- ◆ Toto nářadí není určeno pro použití osobami (včetně dětí) se sníženými fyzickými, smyslovými nebo duševními schopnostmi, nebo s nedostatkem zkušeností a znalostí, pokud těmto osobám nebyl stanoven dohled, nebo pokud jim nebyly poskytnuty instrukce týkající se použití výrobku osobou odpovědnou za jejich bezpečnost.
- ◆ Děti by měly být pod dozorem, aby si se zařízením nehrály.

Zbytková rizika

Je-li nářadí používáno jiným způsobem, než je uvedeno v příložených bezpečnostních varováních, mohou se objevit dodatečná zbytková rizika. Tato rizika mohou vzniknout v důsledku nesprávného použití, dlouhodobého použití atd.

Přestože jsou dodržovány příslušné bezpečnostní předpisy a jsou používána bezpečnostní zařízení, určitá zbytková rizika nemohou být vyloučena. Tato rizika jsou následující:

- ◆ **u Zranění způsobená kontaktem s rotujícími nebo pohyblivými díly nářadí.**
- ◆ **Zranění způsobená při výměně jakýchkoli dílů, řezných nástrojů nebo příslušenství.**
- ◆ **Zranění způsobená dlouhodobým použitím nářadí. Používáte-li jakékoli zařízení delší dobu, zajistěte, aby byly prováděny pravidelné přestávky.**
- ◆ **Poškození sluchu.**
- ◆ **Zdravotní rizika způsobená vdechováním prachu vytvářeného při použití nářadí (příklad: - práce se dřevem, zejména s dubovým, bukovým a MDF).**

Vibrace

Deklarovaná úroveň vibrací uvedená v technických údajích a v prohlášení o shodě byla měřena v souladu se standardní zkušební metodou předepsanou normou EN 60745 a může být použita pro srovnání jednotlivých nářadí mezi sebou. Deklarovaná úroveň vibrací může být také použita k předběžnému stanovení doby práce s tímto výrobkem.

Varování! Úroveň vibrací při aktuálním použití elektrického nářadí se může od deklarované úrovně vibrací lišit v závislosti na způsobu použití nářadí.

Úroveň vibrací může být vzhledem k uvedeným hodnotám vyšší.

Při stanovení doby vystavení se působení vibrací, z důvodu určení bezpečnostních opatření podle normy 2002/44/EC k ochraně osob pravidelně používajících elektrické nářadí v zaměstnání, by měl předběžný odhad působení vibrací brát na zřetel aktuální podmínky použití nářadí s přihlédnutím na všechny části pracovního cyklu, jako jsou doby, při kterých je nářadí vypnuto a kdy běží naprázdno.

Štítky na nářadí

Na nářadí jsou následující piktogramy:



Varování! Z důvodu snížení rizika způsobení úrazu si uživatel musí přečíst tento návod k obsluze.

Další bezpečnostní pokyny pro baterie a nabíječky

Baterie

- ◆ Nikdy se nepokoušejte narušit obal baterie.
- ◆ Nevystavujte baterii vlhkosti.
- ◆ Nevystavujte baterii působení horka.
- ◆ Neskladujte baterie na místech, kde může teplota přesáhnout 40 °C.
- ◆ Nabíjejte baterie pouze při teplotách v rozsahu od 10 do 40 °C.
- ◆ Nabíjení provádějte pouze nabíječkou dodanou s nářadím.
- ◆ Při likvidaci baterií se řiďte pokyny uvedenými v části „Ochrana životního prostředí“.
- ◆ Nelikvidujte baterii propíchnutím nebo nárazem, protože by mohlo dojít k poranění a požáru.
- ◆ Nepokoušejte se nabíjet poškozené baterie.
- ◆ V náročných provozních podmínkách může docházet k únikům z baterie. Jakmile se na baterii objeví kapalina, pečlivě ji otřete hadrou. Dbejte na to, aby se tato kapalina nedostala do kontaktu s pokožkou.
- ◆ Dojde-li ke kontaktu s pokožkou nebo k zasažení očí, postupujte podle níže uvedených pokynů.

Varování! Kapalina z baterie může způsobit zranění osob nebo hmotné škody. Dojde-li ke kontaktu s pokožkou, okamžitě zasažené místo opláchněte vodou. Dochází-li k zčervenání, bolesti nebo podráždění, vyhledejte lékařské ošetření. Jsou-li touto kapalinou zasaženy oči, okamžitě si je začněte vyplachovat čistou vodou a vyhledejte lékařské ošetření.

Nabíječky

Vaše nabíječka je určena pro specifické napájecí napětí. Vždy zkontrolujte, zda napětí v elektrické síti

odpovídá napětí, které je uvedeno na výkonovém štítku nářadí.

Varování! Nikdy se nepokoušejte nahradit nabíječku síťovou zástrčkou.

- ◆ Používejte nabíječku Black & Decker pouze k nabíjení baterie, která byla dodána s nářadím. Ostatní baterie mohou prasknout, způsobit poranění nebo jiné škody.
- ◆ Nikdy se nepokoušejte nabíjet baterie, které nejsou k nabíjení určeny.
- ◆ Dojde-li k poškození napájecího kabelu, musí být vyměněn výrobcem nebo autorizovaným servisem Black & Decker, aby bylo zabráněno riziku úrazu.
- ◆ Poškozené kabely ihned vyměňte.
- ◆ Nevystavujte nabíječku vlhkosti.
- ◆ Nesnažte se nabíječku demontovat.
- ◆ Nepokoušejte se proniknout do nabíječky.
- ◆ Při nabíjení musí být zařízení/nářadí/baterie umístěny na dobře větraném místě.



Tato nabíječka není určena pro venkovní použití.



Před použitím si pečlivě přečtěte tento návod.



Bezpečnostní odpojovací transformátor. Napájení je elektricky odpojeno od výstupu transformátoru.



Je-li okolní teplota příliš vysoká, nabíječka se automaticky vypne. Následkem toho nabíječka přestane nabíjet. Zařízení musí být odpojeno od elektrické sítě a musí být zasláno do autorizovaného servisu, kde bude opraveno.

Elektrická bezpečnost



Vaše nabíječka je opatřena dvojitou izolací. Proto není nutné použití uzemňovacího vodiče. Vždy zkontrolujte, zda napětí v síti odpovídá napětí na výkonovém štítku.

- ◆ Dojde-li k poškození napájecího kabelu, musí být vyměněn výrobcem nebo autorizovaným servisem Black & Decker, aby bylo zabráněno riziku úrazu.
- ◆ **Varování!** Nikdy se nepokoušejte nahradit nabíječku síťovou zástrčkou.

Popis

1. Hlavní spínač
2. Přepínač chodu vpřed / vzad
3. Držák nástrojů
4. Diodová svítilna

Obr. A

5. Zástrčka nabíječky
6. Konektor

Sestavení

Upnutí a vyjmutí vrtáku nebo šroubovacího nástavce (obr. B)

Toto nářadí používá šroubovací nástavce a vrtáky se šestihrannou upínací stopkou 6,35 mm (1/4").

- ◆ Chcete-li upnout pracovní nástroj, zasuňte jeho upínací stopku do držáku nástrojů (3).
- ◆ Chcete-li pracovní nástroj vyjmout, vysuňte jeho upínací stopku z držáku nástrojů (3).

Použití

Varování! Nechejte nářadí pracovat vlastním tempem. Zamezte přetěžování nářadí.

- ◆ Před prvním použitím musí být baterie nabíjena minimálně 9 hodin.

Nabíjení baterie (obr. C)

- ◆ Zasuňte zástrčku nabíječky (6) do konektoru (7).
- ◆ Připojte nabíječku (5) k síti.
- ◆ Nechejte nářadí propojeno s nabíječkou 12 hodin.

Během nabíjení může nabíječka bzučet a také může být zahřátá. To je v pořádku, nejedná se o žádný problém.

Varování! Nenabíjejte baterii při teplotách nižších než 10 °C nebo vyšších než 40 °C.

Volba směru otáčení (obr. D)

Pro vrtání a utahování šroubů použijte chod vpřed. Při povolování šroubů a uvolňování zaseknutého vrtáku použijte chod vzad.

- ◆ Chcete-li zvolit směr otáčení vpřed, posuňte přepínač chodu vpřed / vzad (2) směrem dopředu.
- ◆ Chcete-li zvolit směr otáčení vzad, posuňte přepínač chodu vpřed / vzad (2) směrem dozadu.
- ◆ Chcete-li nářadí zablokovat, nastavte přepínač chodu vpřed / vzad do středové polohy.

Vrtání / šroubování

- ◆ Pomocí přepínače chodu vpřed / vzad (2) zvolte směr otáčení vpřed nebo vzad.
- ◆ Chcete-li nářadí zapnout, stisknete hlavní spínač (1).
- ◆ Chcete-li nářadí vypnout, uvolněte hlavní spínač (1).

Diodová svítilna

Diodová svítilna (4) se automaticky rozsvítí při stisknutí spouště. Tato svítilna bude svítit také v situaci,

kdy bude stisknutý hlavní spínač a přepínač chodu vpřed / vzad (2) bude ve středové blokovací poloze.

Užitečné rady

Šroubování

- ◆ Vždy používejte správný typ a velikost šroubovacího nástavce.
- ◆ Nejdou-li šrouby správně přitáhnout, použijte jako mazivo malé množství saponátu nebo mýdlového roztoku.
- ◆ K uvolnění velmi dotažených šroubů nebo potřebujete-li šrouby silně dotáhnout, používejte zajištění hřídele.
- ◆ Vždy držte nářadí se šroubovacím nástavcem v jedné ose se šroubem.
- ◆ Při šroubování do dřeva vám doporučujeme vyvrtat vodicí otvor, jehož hloubka bude odpovídat délce šroubu. Vodicí otvor vede šroub a zabráňuje štípnutí dřeva nebo jeho deformaci. Optimální velikosti vodicích otvorů jsou uvedeny v následující tabulce.
- ◆ Při šroubování do tvrdého dřeva vám doporučujeme vyvrtat otvor s vůlí, jehož hloubka bude odpovídat polovině délky šroubu. Optimální velikosti otvorů s vůlí jsou uvedeny v následující tabulce.

Velikost šroubu	Vodicí otvor Ø (měkké dřevo)	Vodicí otvor Ø (tvrdé dřevo)	Otvor s vůlí
Č. 6 (3,5mm)	2,0mm	2,5mm	3,6mm
Č. 8 (4mm)	2,5mm	3,0mm	4,5mm
Č. 10 (5mm)	3,0mm	3,5mm	5,0mm

Vrtání

- ◆ Využívejte na nářadí vždy mírný tlak ve směru shodném s osou vrtáku.
- ◆ Těsně před proniknutím špičky vrtáku druhou stranou obrobku zmenšete tlak vyvíjený na nářadí.
- ◆ Aby při průniku vrtáku nedocházelo k tvorbě tříšek na povrchu obrobku, podložte jej kouskem dřeva.
- ◆ Pro zvýšení přesnosti vrtání si vždy uprostřed díry, kterou chcete vrtat, vytvořte na povrchu obrobku pomocí průbojníku vodicí značku.

Příslušenství

Výkon vašeho nářadí závisí na používaném příslušenství. Příslušenství Black & Decker a Piranha jsou navržena a vyrobena podle norem pro vysokou kvalitu a jsou určena pro zvýšení výkonu vašeho nářadí. Použitím tohoto příslušenství získáte od vašeho nářadí nejlepší pracovní výsledky.

Toto nářadí používá šroubovací nástavce s upínacím šestihranem 6,35mm (1/4"). Pro použití s tímto nářadím je určeno také příslušenství Piranha Super-lok.

Údržba

Váš výrobek/nářadí Black & Decker napájené baterií/napájecím kabelem bylo zkonstruováno tak, aby pracovalo po dlouhou dobu s minimálními nároky na údržbu. Dlouhodobá bezproblémová funkce nářadí závisí na jeho řádné údržbě a pravidelném čištění. Vaše nabíječka nevyžaduje žádnou údržbu mimo pravidelné čištění.

Varování! Před prováděním jakékoli údržby nářadí vždy vypněte a odpojte jeho napájecí kabel od sítě. Je-li nářadí vybaveno odpojovací baterií, vyjměte baterii z nářadí. Je-li baterie nedílnou částí nářadí, nechte ji zcela vybit. Před čištěním nabíječky odpojte nabíječku od sítě.

- ◆ Větrací otvory nářadí a nabíječky pravidelně čistěte měkkým kartáčem nebo suchým hadříkem.
- ◆ Pomocí vlhkého hadříku pravidelně čistěte kryt motoru. Nepoužívejte žádné brusné čisticí prostředky nebo rozpouštědla.
- ◆ Pravidelně otvírejte sklíčidlo a poklepáním odstraňte prach z vnitřní části nářadí.

Ochrana životního prostředí



Tříděný odpad. Tento výrobek nesmí být vyhozen do běžného domácího odpadu.

Jednoho dne zjistíte, že výrobek Black & Decker musíte vyměnit nebo jej nebudete dále používat. V tomto případě myslete na ochranu životního prostředí a nevyhazujte jej do domácího odpadu. Zlikvidujte tento výrobek v tříděném odpadu.



Tříděný odpad umožňuje recyklaci a opětovné využití použitých výrobků a obalových materiálů. Opětovné použití recyklovaných materiálů pomáhá chránit životní prostředí před znečištěním a snižuje spotřebu suroviny.

Místní sběrný odpadů, recyklační stanice nebo prodejny vám poskytnou informace o správné likvidaci elektroodpadů z domácnosti.

Společnost Black & Decker poskytuje službu sběru a recyklace výrobků Black & Decker po skončení jejich provozní životnosti. Chcete-li získat výhody této služby, odevzdejte prosím váš výrobek kterémukoli autorizovanému zástupci servisu Black & Decker, který nářadí odbere a zajistí jeho recyklaci.

Místo nejbližšího autorizovaného servisu Black & Decker se dozvíte na příslušné adrese uvedené na zadní straně tohoto návodu. Seznam autorizovaných servisů Black & Decker a podrobnosti o poprodejním servisu naleznete také na internetové adrese: **www.2helpU.com**

Celková úroveň vibrací (prostorový vektorový součet) podle normy EN 60745:
 Vrtání do kovu ($a_{h,D}$) 0,979 m/s²,
 odchylka (K) 1,5 m/s²
 Šroubování bez rázů ($a_{h,S}$) 0,247 m/s²,
 odchylka (K) 1,5 m/s²

Baterie



Po ukončení provozní životnosti likvidujte baterie tak, aby nedošlo k ohrožení životního prostředí:

- ◆ Nezkrajte svorky baterie.
- ◆ Při likvidaci nevhazujte nepotřebné baterie do ohně, protože by mohlo dojít k zranění osob nebo k jejich explozi.
- ◆ Nechejte nářadí v chodu, dokud nedojde k úplnému vybití baterie a potom ji vyjměte z nářadí.
- ◆ Baterie lze recyklovat. Uložte baterie do vhodného obalu, abyste zamezili zkratu kontaktů baterie. Odevzdejte baterie zástupci autorizovaného servisu nebo v místní sběrně.

Technické údaje

	KC460LN (H1)	
Napájecí napětí	V	3,6
Otáčky naprázdno	min ⁻¹	180
Mezní moment	Nm	7,7
Maximální moment	Nm	3,2
Držák nástrojů	mm	6,35 (1/4")
Hmotnost	kg	0,4

Baterie

Napájecí napětí	V	3,6
Typ baterie		Li-Ion
Kapacita	Ah	1,1/1,3

Nabíječka **905450XX**

Vstupní napětí	V _{AC}	230
Výstupní napětí	V _{DC}	9
Proud	mA	100
Přibližná doba nabíjení	hod	12
Hmotnost	kg	0,4

Hladina akustického tlaku podle normy EN 60745:

Akustický tlak (L_{pA}) 58,9 dB(A),
 odchylka (K) 3 dB(A)
 Akustický výkon (L_{WA}) 69,9 dB(A),
 odchylka (K) 3 dB(A)

ES Prohlášení o shodě SMĚRNICE PRO STROJNÍ ZAŘÍZENÍ

CE 10

KC460LN H1

Společnost Black & Decker prohlašuje, že tyto produkty popisované v technických údajích splňují požadavky následujících norem: 2006/42/EC, EN 60745-1, EN 60745-2-2

Tyto výrobky splňují také požadavky směrnic 2004/108/EC a 2011/65/EU. Chcete-li získat další informace, kontaktujte prosím společnost Stanley Europe na následující adrese nebo na adresách, které jsou uvedeny na konci tohoto návodu.

Chcete-li získat další informace, kontaktujte prosím společnost Black & Decker na následující adrese nebo na adresách, které jsou uvedeny na konci tohoto návodu.

Níže podepsaná osoba je odpovědná za sestavení technických údajů a provádí toto prohlášení v zastoupení společnosti Black & Decker.

Kevin Hewitt
 Viceprezident pro
 spotřebitelskou techniku
 Black & Decker Europe,
 210 Bath Road, Slough,
 Berkshire, SL1 3YD, Velká Británie
 15/08/2012

Záruka

Společnost Black & Decker důvěřuje kvalitě svého vlastního náradí a poskytuje kupujícímu mimořádnou záruku. Tato záruka je nadstandardní a v žádném případě nepoškozuje Vaše zákonná práva. Tato záruka platí ve všech členských státech EU a Evropské zóny volného obchodu EFTA.

Objeví-li se na výrobku Black & Decker, v průběhu 24 měsíců od zakoupení, jakékoli materiálové či výrobní vady, garantujeme ve snaze o minimalizování vašich starostí bezplatnou výměnu vadných dílů, opravu nebo výměnu celého výrobku za níže uvedených podmínek:

- Výrobek nebyl používán pro obchodní nebo profesionální účely a nedocházelo-li k jeho pronájmu.
- Výrobek nebyl vystaven nesprávnému použití a nebyla zanedbána jeho předepsaná údržba.
- Výrobek nebyl poškozen cizím zaviněním.
- Nebyly prováděny opravy výrobku jinými osobami než pracovníky značkového servisu Black & Decker.

Při uplatňování reklamace je nutno prodejci nebo servisnímu středisku předložit doklad o nákupu výrobku. Místo vaší nejbližší autorizované servisní pobočky Black & Decker se dozvíte na příslušné adrese uvedené na zadní straně této příručky. Seznam autorizovaných servisů Black & Decker a podrobnosti o poprodejním servisu naleznete také na internetové adrese: **www.2helpU.com**

Navštivte naši internetovou adresu **www.blackanddecker.co.uk** a zaregistrujte si Váš výrobek Black & Decker. Budete tak mít neustále přehled o nových výrobcích a speciálních nabídkách. Další informace o značce Black & Decker a o našem výrobním programu získáte na internetové adrese **www.blackanddecker.co.uk**

Rendeltetésszerű használat

Szívből gratulálunk új, Black & Decker Akkumulátoros Csavarozójához. Ezt a készüléket csavarozásra, valamint fúrási alkalmazásra terveztük fában, fémben és műanyagban. A készülék iparszerű felhasználásra nem alkalmas.

Biztonságtechnikai előírások

Általános biztonságtechnikai előírások



Figyelem! Figyelmesen olvassa el a kezelési útmutatót a gép üzembe helyezése előtt. Akkumulátoros szerszám használatakor mindig tartsa be az alábbi alapvető biztonsági rendszabályokat, így elkerülheti a tűzveszély, az elektromos áramütés, a személyi sérülések és az anyag károsodásának lehetőségét.

Kérjük, gondosan őrizze meg a kezelési útmutatót, hogy a későbbiekben is bármikor utánanézhesen a géppel kapcsolatos összes információnak. Mielőtt bármilyen beállítást változtat a gépen, vagy karbantartási munkába kezd, mindig csatlakoztassa le a készüléket a hálózati áramforrásról.

1. Munkaterület

- Tartsa rendben és világítsa meg munkahelyét.** A zsúfolt, rendetlen munkaterület növeli a balesetveszélyt. Gondoskodjon a munkaterület megfelelő megvilágításáról.
- Ne használja a készüléket robbanás és tűzveszélyes helyeken, például gyúlékony folyadékok és gázok közelében.** Elektromos kéziszerszámok használatakor szikra keletkezhet, mely begyűjthatja a port vagy gázt.
- Tartsa távol a gyerekeket.** Gondoskodjon arról, hogy gyereket, más személyek vagy állatok ne közelíthessék meg a munkaterületet, ne érinthessék meg a készüléket és a hálózati kábelt, továbbá elvonhatják figyelmét a készülék irányításáról.

2. Elektromos biztonság

- A készülék csatlakozódugójának illeszkednie kell a dugaszoló aljzathoz. Soha ne változtasson a csatlakozódugón. Soha ne használjon semmilyen adaptert földelt készülékekkel.** Az eredeti csatlakozódugó és a megfelelő dugaszoló aljzat használatával jelentősen csökkenthető az elektromos áramütés kockázata.
- Kerülje az érintkezést fémes részekkel (például csövek, radiátorok, tűzhelyek és hűtőszekrények).** Viseljen gumitalpú cipőt.

Extrém munkakörülmények között (pl.: magas páratartalom, fémpor keletkezése esetén) az elektromos biztonság növelhető egy leválasztó transzformátor vagy hibaáram-védelmi kapcsoló előkapcsolásán keresztül.

- Legyen figyelemmel a környezeti behatásokra.** Ne hagyja szabadban a gépet, óvja az esőtől. Ne használja nyirkos, nedves környezetben.
- Bánjon gondosan a kábellel. Soha ne a kábelnél fogva vigye a gépet, és kérjük, ne a kábelnél fogva húzza ki a csatlakozódugót a konnektorból. Tartsa távol a kábelt éles szélektől, védje olajtól és hőtől. Minden használat előtt ellenőrizze a kábel állapotát, és ne indítsa be a gépet, ha a kábel sérült.** Sérült vagy összetekeredett hálózati kábel használata jelentősen növelheti az elektromos áramütés kockázatát.
- A szabadban kizárólag csak az arra jóváhagyott és jelöléssel ellátott hosszabbító kábelt szabad használni.** Használat előtt ellenőrizze a hosszabbító kábelt és cserélje le, ha sérült. Teljesítmény csökkenés nélkül max. 30m hosszú, kéteres Black & Decker hosszabbító kábelt használhat.
- Ha elkerülhetetlen a készülék nedves környezetben való használata, használjon egy leválasztó transzformátort vagy hibaáram-védelmi kapcsolót.** Extrém munkakörülmények között (pl.: magas páratartalom, fémpor keletkezése esetén) az elektromos biztonság növelhető egy leválasztó transzformátor vagy hibaáram-védelmi kapcsoló előkapcsolásán keresztül.

3. Személy védelem

- Figyeljen munkájára. Figyeljen mindig arra, amit tesz. Használja az összes érzékszervét. Ne használja a készüléket, ha fáradt, vagy ha hallucinogén anyag, alkohol vagy gyógyszer befolyásolt állapotban áll.** Elektromos kéziszerszám használatakor pillanatnyi figyelmetlenség is súlyos baleset előidézője lehet.
- Viseljen védőfelszerelést. Mindig viseljen védőszemüveget.** Használjon arc vagy por-maszkot, ha az elvégzendő munka nagy porral, vagy lepattanó részekkel járhat. Ügyeljen a hallásvédelemre is.
- Ne hagyja felügyelet nélkül bekapcsolva a gépet. Győződjön meg róla, hogy az üzemi kapcsoló kikapcsolt állapotban van, mielőtt az áramforrásra csatlakoztatja.** Ne szállítsa a feszültség alatt lévő gépet ujjával az üzemi kapcsolón, mivel ez súlyos baleset előidézője lehet.

- d. **Ne hagyjon szerelőkulcsot a gépben.** A munka megkezdése előtt mindig ellenőrizze, hogy a szerelőszerszámot (kulcsot) eltávolította-e a készülékből.
- e. **Álljon biztonságosan. Kerülje a rendellenes testtartást, és egyensúlyát soha ne veszítse el munkavégzés közben.** Így jobban irányíthatja a készüléket, még váratlan helyzetekben is.
- f. **Viseljen megfelelő munkaruházatot. Szabadban viseljen gumikesztyűt és csúszásmentes lábbelít. Ne hordjon ékszert vagy laza ruházatot munkavégzés közben. Tartsa távol hosszú haját, ruházatát és munkakesztyűjét a mozgó részekről.** A laza ruházat, ékszerek vagy hosszú haj beakadhatnak a mozgó részekbe. Hosszú haj esetében használjon sapkát, hogy ne zavarja a munkában.
- g. **Ha a készüléken megtalálható a porelszívási lehetőség, vagy a porzsák, úgy ügyeljen arra, hogy megfelelően csatlakoztassa és használja ezeket munka közben.** Porelszívó berendezés használatával nagymértékben csökkenthető a por okozta veszély.
4. **Az elektromos kéziszerszám használata és ápolása**
- a. **Mindig a megfelelő szerszámot használja. Ne erőltesse a kéziszerszámot.** A készülék rendeltetésszerű használatáról korábban már említést tettünk. Ne erőltesse túl a kisebb teljesítményű készülékeket, vagy tartozékokat, nagyobb teljesítményű igénylő munkánál. A termékkel jobban és biztonságosabban elvégezheti a munkát, hogy ha a teljesítmény kategóriájának megfelelően használja.
Figyelem! Az Ön biztonsága érdekében csak olyan tartozékot, illetve kiegészítő berendezést használjon, melyet a kezelési utasítás ajánl.
- b. **Ne használja a gépet, ha a kapcsoló nem működőképes.** Bármely kéziszerszám használata, amely nem irányítható megfelelően az üzemi kapcsolóval, nagyon veszélyes, ezért azonnal meg kell javíttatni a kapcsolót, ha sérült, vagy ha nem működőképes.
- c. **Áramtalanítsa a készüléket.** Mindig áramtalanítsa a készüléket, ha nem használja azt; mielőtt változtatna a gép bármely beállításán; tartozékot vagy feltétet cserél; valamint a termék átvizsgálása előtt.
- d. **Ügyeljen a készülék megfelelő tárolására. Ha nem használja a készüléket, tartsa száraz, gyermekek elől gondosan elzárt helyen.** Az elektromos kéziszerszámok használata veszélyes lehet nem képzett felhasználó esetén.
- e. **Ellenőrizze a készülék állapotát. Használat előtt mindig ellenőrizze a készüléket és a hálózati kábelt. Vizsgálja meg, hogy a mozgó részek megfelelően működnek, nincsenek akadályoztatva. Ellenőrizze a részegységeket, olajozásukat, esetleg előforduló töréseit, a kézvédő vagy a kapcsoló sérüléseit és minden olyan rendellenességet, ami befolyásolhatja a készülék használatát.** Bizonyosodjon meg róla, hogy a készülék megfelelően működik, és a kategóriájával egyenértékű teljesítményt biztosít. Ne használja a gépet, ha valamelyik alkatrésze sérült. A sérült vagy hibás alkatrészek javítását vagy cseréjét csak a kijelölt szakszervezetek végezhetik. Soha ne kísérelje meg a javítást Önállóan, a sérült részeket és védőberendezéseket előírás szerint kell javíttatni vagy cseréltetni.
- f. **A vágóéleket tartsa élesen és tisztán a jobb és biztonságosabb munkavégzés érdekében.** Kövesse a karbantartásra és tartozékcsere-re vonatkozó előírásokat. Tartsa a fogantyúkat és kapcsolókat szárazon, tisztán és olajtól, zsírtól mentesen.
- g. **Rögzítse a munkadarabot. Használjon satut vagy más lezorító eszközt a munkadarab rögzítésére.** Így biztonságossá válik a munkavégzés, és mindkét keze szabadon marad a gép irányítására.
5. **Akkumulátoros készülék használata és ápolása**
- a. **Kizárólag csak műszaki adatokban megadott töltőkészüléket használja az akkumulátor töltésére.** Más töltő használata személyi és dologi kárt és tűzveszélyt okozhat.
- b. **Kizárólag csak a műszaki adatokban megadott akkumulátort csatlakoztasson a készülékre.** Más akkumulátor használata személyi és dologi kárt okozhat.
- c. **Ügyeljen az akkumulátort a megfelelő tárolásra.** Rövidzárlat okozásának veszélye miatt kerülje, hogy fémes tárgyak az akku pólusaival érintkezzenek. A tűzveszély mellett az akku is károsodhat. (pl.: ha az akkumulátort a szerszámok kofferben tárolja, az abban lévő szerszámokkal érintkezhet).
- d. **Szükségeses körülmények között való használatnál előfordulhat, hogy akkufolyadék szivárog ki az akkuból. Kerülje az érintkezést az akkufolyadékkal. Ha mégis érintkezésbe kerül vele, öblítse le bő vízzel. Ha szemébe kerül, forduljon azonnal orvoshoz. Az akkufolyadék bőrirritációt és megégést okozhat.**

6. Javítás

- a. Ez a kéziszerszám megfelel a vonatkozó biztonsági előírásoknak. Javítást csak szakszervíz végezhet, és csak eredeti gyári alkatrészeket szabad felhasználni. A szakszerűtlen javítás súlyos baleset előidézője lehet.

Kiegészítő biztonságtechnikai előírások kéziszerszámokhoz



Figyelem! Kiegészítő biztonságtechnikai előírások csavarozókhoz.

- ◆ **A készüléket csak a szigetelt markolati felületen tartsa, ha olyan munkát végez, ahol a befogott tartozék rejtett vezetékkel vagy saját hálózati kábelével érintkezhet.** Élő vezetékkel való találkozás a készülék fém részeit is élővé, vezetővé teszi, és így elektromos áramütés veszélyét jelenti a felhasználó számára.
- ◆ **Viseljen hallásvédőt.** A magas zajszint halláskárosodáshoz vezethet.
- ◆ **Mindig használja a készülékkel szállított pótfogantyúkat.** A készülék feletti irányítás elvesztése, súlyos baleset előidézője lehet.
- ◆ **Használjon leoszorító eszközt vagy satut a munkadarab biztosításához, illetve megtámasztásához.** Az irányítás elvesztéséhez vezethet, és személyi sérülést okozhat, ha a munkadarabot a kezében tartja, vagy testéhez támasztja.
- ◆ **Mielőtt fúrási munkát kezdene falazatba, padlózatba, vagy tetőzetbe, mindig ellenőrizze a vezetékek és csövek elhelyezkedését.**
- ◆ **A készülék használatát ne engedélyezze olyan felhasználóknak (beleértve gyerekeknek), akik csökkent fizikai, érzékelési vagy mentális képességekkel rendelkeznek, illetve képzetlen felhasználóknak; csak és kizárólag abban az esetben, ha felügyeletet biztosít mellettük.** Gyermek esetén különösen kiemelt felügyelet szükséges, hogy ne játszanak a készülékkel.
- ◆ **A készülék rendeltetésszerű használatát már korábban körül írtuk. Ne erőltesse túl a kisebb teljesítményű készülékeket, vagy tartozékokat, nagyobb teljesítményt igénylő munkánál.** A termékkel jobban és biztonságosabban elvégezheti a munkát, hogy ha a teljesítmény kategóriájának megfelelően használja. Ne erőltesse a szerszámot. Az Ön biztonsága érdekében csak olyan tartozékot, illetve kiegészítő berendezést használjon, melyet a kezelési utasítás ajánl.

Mások biztonsága

- ◆ **A készüléket korlátozott fizikai, érzékelési, mentális képességekkel rendelkező vagy gyakorlatlan személyek (beleértve a gyermekeket is) nem használhatják; kivéve, ha a biztonságukért felelős személy számukra a szerszám használatához felügyeletet és tájékoztatást biztosít.**
- ◆ **Ügyeljen a gyermekekre, hogy ne játszhassanak a szerszámmal.**

Maradványkockázatok

A szerszám használata további, a biztonsági figyelmeztetések között esetleg fel nem sorolt maradványkockázatokkal is járhat. Ezek a szerszám nem rendeltetésszerű, illetve huzamosabb idejű használatából stb. adódhatnak.

Bizonyos kockázatok a vonatkozó biztonsági előírások betartása és a védőberendezések használata ellenére sem kerülhetők el. Ezek a következők lehetnek:

- ◆ **A forgó/mozgó alkatrészek megérintése által okozott sérülés.**
- ◆ **Az alkatrészek, vágólapok, tartozékok cseréje által okozott sérülés.**
- ◆ **A szerszám huzamosabb idejű használata miatti sérülések. Ha a szerszámot huzamosabb ideig használja, rendszeresen iktasson be szüneteket.**
- ◆ **Halláskárosodás.**
- ◆ **A fűrészpör belégzése miatti egészségi veszély (pl. tölgy, bükk és rétegelt lemez anyagoknál).**

Vibráció

A megállapított vibráció emisszió érték a standard teszt módszer szerint EN60745 szabvány szerint van mérve, és egy másik készülékkel való összehasonlításra szolgál. A megállapított vibráció emisszió érték, szintén használható a kitétség előzetes megbecsülésére.

Figyelem! A vibráció emisszió érték a készülék használatakor eltérhet a megállapított értéktől a készülék használatának módjától függően. A vibráció érték az itt megállapított szint fölé emelkedhet.

A keletkező vibrációs mérték meghatározása: a 2002/44/EC szabvány szerint adott biztonságos érték, azonban azok védelmében, akik rendszeresen használják a készüléket, egy becsült érték figyelembe vétele szükséges, mely számításba veszi a kitétség időintervallumát, a munkaterület karakterisztikáját, a készülék használati módját, beleértve részegységek működési ciklusát, mint

pl. a készülék be- és kikapcsolása a kapcsolóra gyakorolt hatása.

Figyelmeztető szimbólumok a készüléken

A következő piktogramok szerepelnek a készüléken:



Figyelem! Sérülésveszély csökkentéséhez, figyelmesen olvassa el a kezelési útmutatót a készülék üzembe helyezése előtt.

Kiegészítő biztonságtechnikai előírások akkumulátorokhoz és töltőkészülékekhez

Akkumulátorok

- ◆ Ne kísérletezzen az akkumulátor felnyitásával.
- ◆ Ne hagyja szabadban az akkumulátort, óvja az esőtől. Ne használja nyirkos, nedves környezetben.
- ◆ Ne hagyja az akkumulátort olyan helyen, ahol magas hő érheti.
- ◆ Olyan helyen tárolja az akkut, ahol a hőmérséklet nem haladja meg a 40°C-ot.
- ◆ Az akkut csak 10-40°C közötti környezeti hőmérsékleten töltsen.
- ◆ Kizárólag a mellékelt töltőkészülékkel töltsen az akkumulátort.
- ◆ A tönkrement akkuról gondoskodjon a "Környezetvédelem" fejezetben leírtak szerint.
- ◆ Soha ne deformálja vagy sértse meg az akkumulátort ütéssel vagy szúrással, mivel ez személyi sérülést és tűzveszélyt okozhat.
- ◆ Soha ne töltsön sérült akkumulátort.
- ◆ Szélsőséges körülmények között történő használatnál előfordulhat, hogy akkufolyadék szivárog ki az akkuból. Ekkor járjon el a következőképpen: óvatosan törölje le a folyadékot az akkuról egy kendővel. Kerülje, hogy bőre az akkufolyadékkal érintkezzen.
- ◆ Ha mégis akkufolyadékkal érintkezne a bőre, vagy netán a szemébe kerülne, kövesse az alábbiakat.

Figyelem! Az akkufolyadék személyi sérülést vagy dologi kárt okozhat. Ha az oldat a bőrrel érintkezik, öblítse azonnal bő vízzel. Ha pirosság, fájdalom vagy irritáció lép fel, azonnal forduljon orvoshoz. Ha az oldat a szemébe jutna, öblögesse legalább 10 percig hideg vízzel, majd rögtön forduljon orvoshoz.

Töltőkészülék

Az Ön töltőkészüléke egy bizonyos hálózati feszültségre van tervezve. Mindig ellenőrizze, hogy a hálózati feszültség megfelel-e a töltő adattábláján feltüntetettnek.

Figyelem! Soha ne próbálja a töltőegységet helyettesíteni egy normál hálózati csatlakozóval.

- ◆ Kizárólag csak a készülékkel szállított Black & Decker töltőkészülékét használja a mellékelt akkumulátor töltésére. Más akkumulátorok töltése személyi és dologi kárt okozhat.
- ◆ Ne kísérletezzen nem tölthető akkumulátorok töltésével.
- ◆ Ha a hálózati kábel sérült, azonnal cseréltesse le egy Black & Decker szakszervizben.
- ◆ A sérült hálózati kábelt azonnal cserélje ki.
- ◆ Ne tegye ki a töltőkészülékét nedvességnek.
- ◆ Ne nyissa ki a töltő burkolatát.
- ◆ Ne érintse meg ujjaival vagy más tárggyal a töltő érintkezőit, ne tesztelje mérőműszerrel.
- ◆ A berendezést/készülékét/akkumulátort jól szellőző helyen töltsen.



A készülék használata csak belső térben megengedett!



Olvassa el a kezelési utasítást a készülék használata előtt.



Hibaáram védelemmel ellátott transzformátor. A hálózati áramellátás elektromosan védve van a transzformátor kimenettől.



A töltő automatikusan kikapcsolódik, ha a környezeti hőmérséklet túl magasra szökik. Így a töltő üzemképtelen lesz. Csatlakoztassa le a töltőbázist a hálózati áramforrásról, és vigye a legközelebbi szervizállomásra.

Elektromos biztonság



Az Ön töltőkészüléke kettősszigetelésű, ezért a földelés nem szükséges. Mindig ellenőrizze, hogy a hálózati feszültség megfelel-e a töltő adattábláján feltüntetettnek!

- ◆ Ha a hálózati kábel sérült, azonnal cseréltesse le egy Black & Decker szakszervizben.
- ◆ **Figyelem!** Soha ne próbálja a töltőegységet helyettesíteni egy normál hálózati csatlakozóval.

Leírás

1. Üzemi be/ki kapcsoló
2. Forgásirány választó kapcsoló
3. Csavaróóhégy tartó
4. LED lámpa

A ábra

5. Töltőkészülék
6. Töltőkészülék csatlakozódugó

Összeszerelés

Csavarozó hegy vagy fűrészár befogása és eltávolítása (B ábra)

Ezzel a készülékkel csak 6,35 mm hatlapú (hexagon) befogással rendelkező tartozékok használhatók.

- ◆ A tartozék behelyezéséhez, nyomja azt a befogóhüvelybe (3) amíg nem reteszeliődik.
- ◆ A tartozék eltávolításához, húzza ki egyenesen a befogóhüvelyből (3).

A készülék használata

Figyelem! Hagyja a készüléket a saját ütemében dolgozni. Ne terhelje túl.

- ◆ Az első használat előtt az akkumulátort legalább 9 óra időtartamig kell tölteni.

Az akkumulátor töltése (C ábra)

- ◆ Az akkumulátor töltéséhez, dugja a töltőkészülék csatlakozó dugóját (6) a töltőkészülék csatlakozójába (7).
- ◆ Helyezze áram alá a töltőkészüléket (5).
- ◆ Hagyja a készüléket a töltőre csatlakoztatva 12 óra hosszan.

A töltőkészülék zümmöghet és melegedhet töltés közben, ez normális jelenség, nem hibára utaló jel.

- ◆ Mielőtt üzembe helyezné a csavarozót, áramtalanítsa a töltőkészüléket, majd csatlakoztassa le a töltőkészülékről.

Figyelem! Ne használja a gépet, miközben az a töltőkészülékhez van csatlakoztatva.

Figyelem! Ne töltsön fel akkumulátort 10°C alatti, és 40°C fölötti környezeti hőmérsékleten. Az ajánlott töltési hőmérséklet: körülbelül 24°C.

Forgásirány kiválasztása (D ábra)

Fűrészhoz és csavarok behajtásához használja az előre (óra mutató járásával megegyező irányú; jobb) forgásirányt. Megszorult fűrészárak kiszabadításához és csavarok kihajtásához használja a hátra (óra mutató járásával ellentétes irányú; bal) forgásirányt.

- ◆ Jobbra forgáshoz nyomja a forgásirány választó kapcsolót (2) előre pozícióba.
- ◆ Balra forgáshoz nyomja a forgásirány választó kapcsolót (2) vissza pozícióba.
- ◆ A készülék lezárásához állítsa a forgásirány választó kapcsolót középső pozícióba.

Fúrás/Csavarozás

- ◆ Válassza ki az előre vagy hátra forgásirányt a forgásirány választó kapcsoló (2) segítségével.
- ◆ A készülék bekapcsolásához nyomja meg az üzemi be/ki kapcsolót (1).
- ◆ A készülék kikapcsolásához engedje el az üzemi be/ki kapcsolót (1).

LED lámpa

A LED lámpa (4) automatikusan aktiválódik, ha a benyomja az üzemi kapcsolót (1). LED szintén világítani fog, ha benyomja az üzemi kapcsolót (1) és a forgásirányváltó kapcsoló (2) rögzített pozícióban áll (középen áll).

Javaslatok az optimális munkavégzéshez

Csavarozás

- ◆ Mindig a megfelelő típusú és méretű csavarozó hegyet használja.
- ◆ Ha a csavar csak nagyon nehezen hajtható be, tegyen kenőanyagként egy kis mosószeret vagy szappant a csavarra.
- ◆ Használja a tengelyrögzítést, ha nagyon szorosan meghúzott csavart kíván kilazítani, vagy ha nagyon szorosra kívánja meghúzni a csavart.
- ◆ Mindig tartsa a gépet és a csavarozó hegyet egyvonalban a csavarral.
- ◆ Faanyagba történő csavarozás megkönnyítése végett, javasoljuk, hogy fúrjon elő a csavar méretének megfelelő mélységű vezető lyukat. A vezető furat irányítja a csavart és megelőzi a fa hasadását és eltorzulását. A vezető furat optimális méretét az alábbi táblázat tartalmazza.
- ◆ Ha keményfába csavaroz, fúrjon mentesítő furatot a csavar méretének fele mélységben. A mentesítő furat optimális méretét az alábbi táblázat tartalmazza.

Csavar méret	Vezető furat Ø (puhafa)	Vezető furat Ø (keményfa)	Mentesítő furat
No. 6 (3,5 mm)	2,0 mm	2,5 mm	3,6 mm
No. 8 (4 mm)	2,5 mm	3,0 mm	4,5 mm
No. 10 (5 mm)	3,0 mm	3,5 mm	5,0 mm

Fúrás

- ◆ Segítse könnyed nyomással a készüléket a fűrészárral párhuzamos irányba.
- ◆ Ha a fűrészár hegye már majdnem átér az anyagon, csökkentse a gépre gyakorolt nyomást.
- ◆ Ha a fűrészár szálkásítja, vagy kiszakítja a munkadarabot, helyezzen egy darab fát a munkadarab hátoldalához.
- ◆ Központosító fúróval jelölje meg a fúrni kívánt lyuk közepét a még pontosabb munkavégzés érdekében.

Tartozékok

A készülék teljesítménye nagymértékben függ a felhasznált tartozékoktól. A Black & Decker és Piranha tartozékok magas minőségű standardnak megfelelően vannak konstruálva és tervezésükkor a készülék teljesítményétnek optimalizálása volt

a fő cél. A legjobb teljesítményt a fenti tartozékok felhasználásával érheti el.

Ezzel a készülékkel 1/4" (6,35mm) méretű, hexagon befogású tartozékokat használhat tartozékként. Piranha Super-lok tartozéksorozat ezzel a készülékkel történő használatra lett kifejlesztve.

Karbantartás

Az Ön készüléke minimális karbantartás mellett hosszú távú felhasználásra lett tervezve. A készülék folyamatos megfelelő működése nagymértékben függ az alapos ápolástól és a rendszeres tisztítástól. Az Ön töltőkészüléke a rendszeres tisztításon kívül más karbantartást nem igényel.

Figyelem! Mielőtt bármilyen karbantartási munkálatba kezdene, kapcsolja ki a készüléket, áramtalanítsa vagy távolítsa el az akkumulátort a készülékből, ha az kivehető. Ha az akkumulátor beépített, járassa addig a készülék motorját, amíg teljesen lemerül. Válassza le a töltőt a fő áramforrásról, mielőtt megtisztítja.

- ◆ Rendszeresen tisztítsa meg a készülék és a töltő levegőréseit egy puha kefével vagy száraz ronggyal.
- ◆ Rendszeresen tisztítsa meg a motorházat egy enyhén nedves kendővel. Ne használjon karcot hagyo tisztítószerrel vagy oldószer bázisú anyagot.
- ◆ Rendszeresen tisztítsa a fűrótkmányt (ha azzal szerelt a készülék) úgy, hogy a pófákat teljesen kinyitja, és a tokmányt egy fakalapáccsal könnyedén kopogtatja, hogy belsejéből a por eltávozhasson.

Környezetvédelem



Elkülönített begyűjtés. Ezt a készüléket el kell különíteni a normál háztartási hulladéktól.

Egy napon, mikor készüléke eléri technikai élettartamának végét, vagy nincs további szüksége rá, gondoljon a környezetvédelemre. A terméket a normál háztartási hulladéktól elkülönítve kell megsemmisíteni.



Az elhasználdott termékek és csomagolások elkülönített begyűjtése lehetővé teszi, ezek újrahasznosítását. Újrahasznosított vagy újra feldolgozott anyagok segítségével a környezetszennyezés, illetve a nyersanyagok iránti igény nagymértékben csökkenthető.

A helyi előírások rendelkezhetnek az elektromos készülékek háztartási hulladéktól elkülönített begyűjtéséről, helyhatósági hulladéklerakó helyeken vagy a kereskedők által új termék megvásárlásakor.

Black & Decker termékeire az élettartamuk lejártával visszavételi lehetőséget kínál. Ez a szolgáltatás ingyenes. Ha igénybe veszi ezt a szolgáltatást, kérjük, juttassa el készülékét a legközelebbi Black & Decker szervizbe, melyekről a vevőszolgálatnál érdeklődhet.

A legközelebbi Black & Decker szervizről a vevőszolgálaton érdeklődhet. A szervizzel kapcsolatosan a következő Internet oldalon is felvilágosítást kaphat: www.2helpU.com.

Akkumulátorok



A Black & Decker akkumulátorok sokszor újratölthetők. Az akkuk technikai élettartamának végén, vegye figyelembe a környezetvédelem, és a szakszerű elhelyezés szempontjait:

- ◆ Soha ne zárja rövide az akkumulátor csatlakozóit.
- ◆ Soha ne dobja az akkumulátort tűzbe, mivel ez személyi sérülést és robbanást okozhat.
- ◆ Merítse le az akkut teljesen, és távolítsa el a gépből.
- ◆ Az akkumulátorok újrahasznosíthatók. Helyezze az akkumulátort olyan csomagolásba, ahol biztosított, hogy a pólusokat nem zárhatja rövidre semmilyen fém tárgy. Vigye az akkut a legközelebbi Black & Decker szervizbe vagy a helyi begyűjtőhelyre. Az összegyűjtött akkumulátorokat újra fogják hasznosítani, vagy a környezetvédelemi előírásoknak megfelelően megsemmisítik.

Műszaki adatok

	KC460LN (H1)
Feszültség	V _{DC} 3,6
Üresjárat fordulatszám	min ⁻¹ 180
Kemény túlhúzása	
nyomatéka	Nm 7,7
Maximális nyomaték	Nm 3,2
Csavarozó hegy tartó	1/4"(6,35mm) hexagon
Súly	kg 0,4

Akkumulátor

Feszültség	V	3,6
Akkumulátor típus		Li-Ion
Kapacitás	Ah	1,1/1,3

Töltő 905450XX

Felvett feszültség	V_{AC}	230
Leadott feszültség	V_{DC}	9
Áramerősség	mA	100
Hozzávetőleges töltési idő	óra	12
Súly	kg	0,4

Az aláírás tulajdonosa a műszaki adatok összeállításáért felelős személy; nyilatkozatát a Black & Decker vállalat nevében adja.



Kevin Hewitt

Alelnök, Global Engineering

Black & Decker Europe, 210 Bath Road, Slough,

Berkshire, SL1 3YD

United Kingdom

2012. 08. 15.

Hangnyomásszint az EN 60745 szabvány szerint:

Hangnyomás (L_{pA}) 58,9 dB(A),
bizonytalanság (K) 3 dB(A)
Zajsztint (L_{WA}) 69,9 dB(A),
bizonytalanság (K) 3 dB(A)

Vibrációs összérték (triax vektorösszeg) az EN 60745 szerint:

Fúrás fémbe ($a_{h,D}$) $< 0,979 \text{ m/s}^2$,
mérési bizonytalanság (K) $1,5 \text{ m/s}^2$
Csavarozás ütés nélkül ($a_{h,S}$) $0,247 \text{ m/s}^2$,
toleranciafaktor (K) $1,5 \text{ m/s}^2$

EU-TANÚSÍTÁS

GÉPEKRE VONATKOZÓ IRÁNYELV



KC460LN H1

A Black & Decker kijelenti, hogy a „Műszaki adatok” alatt ismertetett termékek megfelelnek a következő irányelveknek és szabványoknak: 2006/42/EK, EN 60745-1, EN 60745-2-2

Ezek a termékek a 2004/108/EK és a 2011/65/EU irányelveknek is megfelelnek. További tájékoztatásért forduljon a Stanley Europe vállalathoz a következőkben megadott vagy a kézikönyv végén megtalálható elérhetőségeken.

További tájékoztatásért forduljon a Black & Decker vállalathoz a következőkben megadott vagy a kézikönyv végén megtalálható elérhetőségeken.

Garancia határozat

A Black & Decker elhivatott a termékei minősége iránt, és kiterjesztett garanciát kínál. Ez a garanciahatározat csak kiegészíti és semmi esetre sem befolyásolja hátrányosan az Ön törvényes jogait. A garancia az Európai Unió tagállamai területén, valamint az Európai Szabadkereskedelmi Társulás (EFTA) területén érvényes.

Ha egy Black & Decker termék anyaghiba, a kivitelezés módja vagy a megfelelés hiánya miatt meghibásodik, az eladás dátumától számított 24 hónapig a Black & Decker garanciát vállal a hibás alkatrészek cseréjére, a normál kopásnak kitett termékek javítására, illetve az ilyen termékek kicserélésére, hogy ügyfeleinek a lehető legkisebb kellemetlenséget okozza az alábbi feltételekkel:

- ◆ A terméket nem használták kereskedelmi, ipari alkalmazásokhoz, és nem adták bérbe;
- ◆ A terméket rendeltetésszerűen és körültekintően használták;
- ◆ A termék nem idegen tárgyaktól, szennyeződéstől vagy külső behatástól sérült meg;
- ◆ A termék javítására nem tett kísérletet olyan személy, aki nem tartozik a hivatalos szerviz vagy a Black & Decker szervizszemélyzet tagjai közé.

A garancia érvényesítéséhez az eladónak vagy a hivatalos szerviznek be kell nyújtani a vásárláskor kapott számlát.

Ha igénybe veszi ezt a szolgáltatást, kérjük, juttassa el készülékét a legközelebbi Black & Decker szervizbe, melyekről a vevőszolgálaton érdeklődhet.

A szervizzel kapcsolatosan a következő Internet oldalon is felvilágosítást kaphat: www.2helpU.com.

A következő meghibásodások esetén a garancia kizárt:

- ◆ Elhasználódott, illetve károsodott kések, és a hálózati kábel. Azok az alkatrészek, amelyek a normál használat során elkopnak.
- ◆ Azok a meghibásodások, amelyek a szakszerűtlen kezelésemből eredtek.

- ◆ Azok a hibák, amelyek a kezelési útmutató be nem tartásából eredtek.

Kizárólag csak eredeti Black & Decker tartozékok és alkatrészek alkalmazhatók. Ellenkező esetben teljesítménycsökkenés léphet fel, és a gép elveszti a garanciát. Ha garanciális igénye van, feltétlen mellékelje a jótállási jegyet és a vásárlási okmányokat (számlát).

BLACK & DECKER JÓTÁLLÁSI FELTÉTELEK

Gratulálunk Önnek ennek az értékes Black & Decker készülék megvásárlásához.

Azon termékeinkre, amelyet fogyasztói szerződés keretében háztartási, hobby célra vásárolnak **24 hónap jótállást biztosítunk.**

A termék iparszerű használatra nem alkalmas!

A jótállás a fogyasztó törvényből eredő jogait nem érinti.

1) A Stanley Black & Decker Hungary Kft. kötelezettséget vállal arra, hogy a jótállás keretében végzett javításokat a 49/2003. (VII.30.) GKM rendelet és a 151/2003. (IX.22.) Korm. rendelet szerint végzi a jótállás teljes időtartama alatt.

- A fogyasztó jótállási igényét a jótállási jeggyel érvényesítheti, ezért azt őrizze meg.
- Vásárláskor a forgalmazónak (kereskedőnek) a jótállási jegyen fel kell tüntetnie a termék típusát, gyártási számát, továbbá – amennyiben van ilyen – azonosításra alkalmas részeinek meghatározását, illetve a vásárlás időpontját. A jótállási jegyet a forgalmazó (kereskedő) nevében eljáró személynek alá kell írnia és a kereskedés azonosítására alkalmas tartalmú (minimum cégnév, üzlet címe) bélyegzővel olvashatóan le kell bélyegezni. Kérjük, kísérelje figyelemmel a jótállási jegy megfelelő érvényesítését, mivel a kijelölt szervizeknél a jótállási igény csak érvényes jótállási jeggyel érvényesíthető. Amennyiben a jótállási jegy szabálytalanul került kiállításra, jótállási igényével kérjük forduljon a terméket az Ön részére értékesítő partnerünkhöz (kereskedőhöz). A jótállási jegy szabálytalan kiállítása vagy a fogyasztó részére történő átadás elmaradása nem érinti a jótállási kötelezettségvállalás érvényességét. Kérjük, hogy a jótállási jegyen kívül a nyugtát vagy számlát is szíveskedjen megőrizni a gyorsabb és hatékonyabb ügyintézés érdekében.
- Elvesztett jótállási jegyet csak a fogyasztói szerződés létrejöttét igazoló nyugta vagy számla ellenében tudunk pótolni!

2) Nem terjed ki a jótállás:

- amennyiben a hiba oka rendeltetésszerű, illetve a mellékelt magyar nyelvű használati kezelési útmutatóban foglaltaktól eltérő használat, átalakítás, szakszerűtlen kezelés, helytelen tárolás, elemi kár vagy egyéb a vásárlás után a fogyasztó érdekkörében keletkezett ok;
- amennyiben a terméket iparszerű (professzionális) célokra használták, kölcsönzési szolgáltatás nyújtásához használták fel (nem fogyasztói szerződés);
- azon alkatrészekre, amelyek esetében a meghibásodás a jótállási időn belüli rendeltetésszerű használat mellett az alkatrészek természetes elhasználódása, kopása miatt következett be (így különösen: fűrészlánc, fűrészlap, gyalukés, meghatószíj, csapágák, szénkefe, csillagkerék);
- a készülék túlterhelése miatt jelentkező hibákra, amelyek a hajtómű meghibásodásához, vagy egyéb ebből adódó károkhoz vezetnek;
- a termék nem hivatalos szervizben történt javításából eredő hibákra;
- a olyan károsodásokra, amelyek nem eredeti Black & Decker kiegészítő készülékek és tartozékok használatából adódnak **amennyiben a szakszervíz bizonyítja, hogy a hiba a fenti okok valamelyikére vezethető vissza.**

3) A fogyasztó a kijavítás iránti igényét a forgalmazónál, illetve a jótállási jegyen feltüntetett javítószolgálatnál érvényesítheti.

- Meghosszabbodik a jótállási idő a kijavítási idő azon részével, amely alatt a fogyasztó a terméket nem tudta rendeltetésszerűen használni.
- A jótállási jog érvényesíthetőségének határideje a terméknek vagy jelentősebb részének (motor állórész, forgórész, elektronika) kijavítása vagy kicserélése esetén a kicserélt, kijavított termékre (jelentősebb részére), valamint a kijavítás következményeként jelentkező hiba tekintetében újból kezdődik.
- Ha a fogyasztási cikk a vásárlástól (üzembe helyezéstől) számított három munkanapon belül meghibásodik, a fogyasztó kérheti annak kicserélését feltéve, hogy a meghibásodás a rendeltetésszerű használatot akadályozza. A Stanley Black & Decker Hungary Kft. a hiba létezése, illetve annak megállapítása céljából, hogy a hiba a rendeltetésszerű használatot akadályozza, fenntartja a jogot a hibás termék bevizsgálására.
- Amennyiben a jótállási igény bejelentését követően az igény teljesíthetőségéről azonnal nem nyilatkozunk, úgy három munkanapon belül kell értesítenünk a fogyasztót a reklamáció intézésének módjáról.
- Ha a csere nem lehetséges, műszakilag hasonló készülék kerül felajánlásra, vagy visszafizetésre kerül a vételár.

4) A jótállás alapján történő javítás során a forgalmazónak (kereskedőnek) törekednie kell arra, hogy a kijavítást legfeljebb 15 napon belül megfelelő minőségben elvégezze, elvégeztesse.

A jótállás keretében tartozó javítás esetén a forgalmazó, illetve a javítószolgálat a jótállási jegyen köteles feltüntetni:

- a javítási igény bejelentésének és a javításra átvétel időpontját,
- a hiba okát
- a javítás módját
- a termék fogyasztó részére történő visszaadásának időpontját,
- a jótállás – kijavítás időtartamával meghosszabbított – új határidejét.

A termék meghibásodása esetén a fogyasztót az alábbi jogok illetik meg:

Elsősorban - választás szerint - kijavítást vagy kicserélést követelhet. A csereigény akkor megalapozott, ha a termék a fogyasztónak okozott jelentős kényelmetlenség nélkül, megfelelő minőségben és ésszerű határidőn belül, értékcsökkenés nélkül nem javítható ki, vagy nem kerül kijavításra.

Ha az előírt módon történő kijavításra, illetve kicserélésre vonatkozó kötelezettségének a forgalmazó nem tud eleget tenni, a fogyasztó – választása szerint – megfelelő árészállítást igényelhet vagy elállhat a szerződéstől (a hibás áru visszaszolgáltatásával egyidejűleg kérheti a nyugtán vagy számlán feltüntetett bruttó vételár visszatérítését). Jelentéktelen hiba miatt elállásnak nincs helye!

Kérjük, hogy a hiba felfedezését követő legrövidebb időn belül szíveskedjen azt a szervizben vagy a forgalmazónál bejelenteni.

A kijavítást vagy kicserélést - a dolog tulajdonságaira és a fogyasztó által elvárható rendeltetésére figyelemmel - megfelelő határidőn belül, a fogyasztónak okozott jelentős kényelmetlenség nélkül kell elvégezni.

A fogyasztó a kijavítás iránti igényét a jótállási jegyen feltüntetett javítószolgálatnál, illetve a forgalmazó (kereskedő) üzletében érvényesítheti.

Gyártó:	Forgalmazó:
Black & Decker Europe,	Stanley Black & Decker Hungary Kft
210 Bath Road, Slough,	1016. Budapest,
Berkshire, SL13YD,	Mészáros u. 58/B
Egyesült Királyság	

Przeznaczenie

Opisywany kompaktowy wkrętak Black & Decker przeznaczony jest do wkręcania wkrętów i wiercenia w drewnie, metalu i tworzywach sztucznych. Opisywane narzędzie przeznaczone jest wyłącznie do użytku amatorskiego.

Zasady bezpiecznej pracy

Bezpieczne użytkowanie elektronarzędzi



Uwaga! Należy zapoznać się ze wszystkimi ostrzeżeniami dotyczącymi bezpiecznej pracy oraz z instrukcją obsługi. Nie stosowanie się do poniższych ostrzeżeń i instrukcji może być przyczyną porażenia prądem elektrycznym, pożaru i/lub uszkodzenia ciała.

Zachowaj wszystkie instrukcje i informacje dotyczące bezpiecznej pracy, aby móc korzystać z nich w przyszłości. Pojęcie „elektonarzędzie” używane we wszystkich poniższych ostrzeżeniach dotyczy elektronarzędzi zasilanych z sieci elektrycznej (przewodem zasilającym) oraz elektronarzędzi zasilanych akumulatorowo (bezprzewodowych).

1. Bezpieczeństwo w miejscu pracy

- a. **Dbaj o porządek i dobre oświetlenie w miejscu pracy.** Nieporządek i złe oświetlenie są częstą przyczyną wypadków.
- b. **Nie używaj elektronarzędzi w strefach zagrożonych wybuchem, na przykład w pobliżu palnych cieczy, gazów lub pyłów.** Elektronarzędzia mogą wytworzyć iskry powodujące zapłon pyłów lub oparów.
- c. **W czasie pracy elektronarzędziami nie pozwalaj na przebywanie w pobliżu dzieci i innych osób postronnych.** Chwila nieuwagi może spowodować utratę kontroli nad narzędziem.

2. Ochrona przed porażeniem prądem elektrycznym

- a. **Gniazdo musi być dostosowane do wtyczki elektronarzędzia. Nie wolno przerabiać wtyczek. Nie wolno używać przejściówek do zasilania elektronarzędzi z uziemieniem.** Używanie nieprzerobionych wtyczek i pasujących gniazd zmniejsza ryzyko porażenia prądem elektrycznym.
- b. **Należy unikać bezpośredniej styczności z uziemionymi lub zerowanymi powierzchniami takimi, jak rurociągi, grzejniki, kuchenki i lodówki.** Ryzyko porażenia prądem elektrycznym wzrasta, jeśli twoje ciało jest zerowane lub uziemione.

- c. **Nie narażaj elektronarzędzi na działanie deszczu lub zwiększonej wilgotności.** Do stanie się wody do wnętrza elektronarzędzia zwiększa ryzyko porażenia prądem elektrycznym.
- d. **Nie wolno niszczyć przewodu zasilającego. Nie wolno ciągnąć, przenosić narzędzia ani wyciągać wtyczki z gniazda, ciągnąc za przewód zasilający. Chroń przewód zasilający przed kontaktem z gorącymi elementami, olejami, ostrymi krawędziami i ruchomymi częściami.** Uszkodzenie lub zaplątanie przewodu zasilającego zwiększa ryzyko porażenia prądem elektrycznym.
- e. **W czasie pracy elektronarzędziem poza pomieszczeniami zamkniętymi, należy używać przedłużaczy przeznaczonych do użycia na zewnątrz.** Korzystanie z przedłużaczy przystosowanych do użycia na dworze, zmniejsza ryzyko porażenia prądem.
- f. **W razie konieczności pracy w wilgotnym otoczeniu, należy używać źródła zasilania zabezpieczonego wyłącznikiem różnicowoprądowym.** Używanie wyłączników różnicowoprądowych zmniejsza ryzyko porażenia prądem.

3. Środki ochrony osobistej

- a. **W czasie pracy elektronarzędziem zachowaj czujność, patrz uważnie i kieruj się zdrowym rozsądkiem. Nie używaj elektronarzędzi, jeżeli jesteś zmęczony, pod wpływem narkotyków, alkoholu czy leków.** Nawet chwila nieuwagi, w czasie pracy elektronarzędziem, może doprowadzić do poważnego uszkodzenia ciała.
- b. **Używaj środków ochrony osobistej. Zawsze zakładaj okulary ochronne.** Używanie odpowiedniego sprzętu ochrony osobistej, takiego jak maska przeciwpyłowa, buty antypoślizgowe, kask czy ochrona słuchu, zmniejsza ryzyko uszkodzenia ciała.
- c. **Zapobiegaj przypadkowemu włączeniu. Przed podłączeniem do zasilania lub włożeniem akumulatorów oraz przed przeniesieniem urządzenia, upewnij się, czy wyłącznik znajduje się w pozycji "wyłączone".** Trzymanie palca na wyłączniku w trakcie przenoszenia lub podłączania elektronarzędzia do zasilania, jest bardzo niebezpieczne i sprzyja wypadkom.
- d. **Przed włączeniem urządzenia należy odłączyć wszystkie klucze i narzędzia do regulacji.** Pozostawienie klucza lub narzędzia do regulacji połączonego z częściami wirującymi

elektronarzędzia może spowodować uszkodzenie ciała.

- e. **Nie wychylaj się. Nie wychylaj się i przyjmij stabilną pozycję, aby zawsze zachowywać równowagę.** Pozwala to na lepszą kontrolę pracy urządzenia w nieprzewidzianych okolicznościach.
- f. **Założ odpowiedni strój. Nie noś luźnych ubrań ani biżuterii. Trzymaj włosy, ubranie i rękawice z dala od ruchomych części.** Luźne ubranie, biżuteria lub długie włosy mogą zostać pochwycone przez ruchome części.
- g. **Jeśli sprzęt jest przystosowany do przyłączenia urządzeń odprowadzających i zbierających pył, upewnij się, czy są one przyłączone i właściwie użytkowane.** Użycie urządzeń odprowadzających pył może zmniejszyć zagrożenia dla zdrowia związane z obecnością pyłów.

4. Obsługa i konserwacja elektronarzędzi

- a. **Nie wolno przeciążać elektronarzędzi. Używaj elektronarzędzi odpowiednich do wykonywanej pracy.** Dzięki odpowiednim elektronarzędziom wykonasz pracę lepiej i w sposób bezpieczny, w tempie, do jakiego narzędzie zostało zaprojektowane.
- b. **Nie wolno używać elektronarzędzia z zepsutym wyłącznikiem, który nie pozwala na sprawne włączanie i wyłączanie.** Elektronarzędzie, którego pracy nie można kontrolować wyłącznikiem, jest niebezpieczne i musi zostać naprawione.
- c. **Przed przystąpieniem do regulacji, wymiany akcesoriów oraz przed schowaniem elektronarzędzia, należy odłączyć wtyczkę od źródła zasilania i/lub odłączyć akumulator od urządzenia.** Stosowanie takich środków zapobiegawczych zwiększa bezpieczeństwo i zmniejsza ryzyko przypadkowego uruchomienia elektronarzędzia.
- d. **Nie używane elektronarzędzie przechowuj poza zasięgiem dzieci i nie dopuszczaj osób nie znających elektronarzędzia lub tej instrukcji do posługiwania się elektronarzędziem.** Elektronarzędzia obsługiwane przez osoby nieprzygotowane stanowią zagrożenie.
- e. **Regularnie dokonuj konserwacji elektronarzędzi. Sprawdź, czy ruchome części są właściwie połączone i zamocowane, czy części nie są uszkodzone oraz skontroluj wszelkie inne elementy mogące mieć wpływ na pracę elektronarzędzia.** Uszkodzone elektronarzędzie należy naprawić przed użyciem. Wiele wypadków spowodowanych jest przez

niedostateczną konserwację elektronarzędzi.

- f. **Dbaj o czystość narzędzi i ostrość elementów tnących.** Zadbane narzędzia tnące, z ostrymi krawędziami tnącymi, rzadziej się zacinają i są łatwiejsze w prowadzeniu.
 - g. **Używaj elektronarzędzi, akcesoriów, końcówek itp. zgodnie z niniejszą instrukcją obsługi, uwzględniając warunki i rodzaj wykonywanej pracy.** Używanie elektronarzędzi w sposób sprzeczny z przeznaczeniem, może być bardzo niebezpieczne.
5. **Użytkowanie i konserwacja narzędzi zasilanych akumulatorowo**
 - a. **Używać wyłącznie ładowarki zalecanej przez producenta.** Używanie ładowarki do ładowania innych akumulatorów, niż zgodnie z przeznaczeniem, jest bardzo niebezpieczne.
 - b. **Należy używać wyłącznie akumulatorów przeznaczonych do danego urządzenia.** Użycie innych akumulatorów może stać się przyczyną zranienia lub pożaru.
 - c. **Akumulatory należy przechowywać z dala od metalowych przedmiotów, takich jak spinacze do papieru, monety, gwoździe, wkręty i innych przedmiotów, które mogą doprowadzić do zwarcia styków.** Zwarcie biegunów może być przyczyną oparzenia lub pożaru.
 - d. **W przypadku uszkodzenia, płyn może wypłynąć z akumulatora; należy unikać kontaktu z płynem. W razie styczności, obficie przemywać wodą. W przypadku dostania się płynu do oczu, należy zgłosić się do lekarza.** Płyn wypływający z akumulatora może wywoływać podrażnienia lub oparzenia.
 6. **Naprawy**
 - a. **Powierzaj naprawy elektronarzędzi wyłącznie osobom wykwalifikowanym, używającym identycznych części zamiennych.** Zapewni to bezpieczeństwo użytkowania naprawionego urządzenia.

Bezpieczne użytkowanie elektronarzędzi - wskazówki dodatkowe



Uwaga! Dodatkowe wskazówki dotyczące bezpiecznej pracy wkrętakami i wkrętarkami udarowymi

- ♦ **W czasie pracy, gdy możliwe jest natrafienie na ukryte przewody lub kontakt z własnym przewodem zasilającym, należy trzymać elektronarzędzie wyłącznie za izolowane**

uchwyty. Natrafienie na przewód z prądem może spowodować pojawienie się napięcia na metalowych elementach obudowy elektronarzędzia i porażenie prądem użytkownika narzędzia.

- ◆ **W czasie pracy wkrętarkami udarowymi należy nosić ochronę słuchu.** Ekspozycja na hałas może powodować utratę słuchu.
- ◆ **Używaj, dostarczonych razem z narzędziem, dodatkowych uchwytów.** Utrata kontroli nad narzędziem może spowodować uszkodzenie ciała.
- ◆ **Używaj zacisków lub innego wygodnego sposobu unieruchomienia i podparcia obrabianego elementu.** Trzymanie obrabianego elementu ręką lub oparcie o ciało jest niewystarczające i może być przyczyną utraty kontroli nad narzędziem.
- ◆ **Przed rozpoczęciem wkręcania wkrętów w ściany, podłogę czy sufit, ustal położenie przewodów i rur.**
- ◆ **Opisywane narzędzie nie może być używane przez osoby (dot. także dzieci), które mają ograniczone możliwości ruchowe, percepcji lub pojmowania lub brakuje im doświadczenia i wiedzy, z wyjątkiem przypadku, gdy pozostają one pod nadzorem osoby odpowiedzialnej za ich bezpieczeństwo lub zostały przez nią przeszkolone w zakresie obsługi urządzenia. Należy pilnować dzieci, aby nie bawiły się urządzeniem.**
- ◆ **Przeznaczenie urządzenia opisane jest w niniejszej instrukcji obsługi. Używanie jakichkolwiek akcesoriów lub wykonywanie prac sprzecznych z przeznaczeniem opisywanym w instrukcji obsługi, może powodować niebezpieczeństwo uszkodzenia ciała i/lub uszkodzenia mienia.**

Bezpieczeństwo osób postronnych

- ◆ **Opisywane urządzenie nie jest przeznaczone do użycia przez osoby o obniżonych możliwościach fizycznych, ruchowych lub umysłowych (także dzieci) lub o zbyt małej wiedzy i doświadczeniu, jeśli nie zostały one przeszkolone lub nie pozostają pod opieką osoby odpowiedzialnej za ich bezpieczeństwo.**
- ◆ **Należy pilnować dzieci, aby nie bawiły się urządzeniem.**

Pozostałe zagrożenia.

W czasie pracy elektronarzędziem mogą powstać zagrożenia, które nie zostały uwzględnione w załączonej instrukcji dotyczącej bezpiecznego użytkownika. Zagrożenia te mogą wynikać z niewłaściwego użytkownika, zbyt intensywnej eksploatacji lub innych przyczyn.

Nawet w przypadku przestrzegania zasad bezpiecznej pracy i stosowania środków ochronnych, nie jest możliwe uniknięcie pewnych zagrożeń. Należą do nich:

- ◆ **Obrażenia wynikające z dotknięcia wirujących / ruchomych elementów.**
- ◆ **Obrażenia odniesione podczas wymiany części, ostrzy lub akcesoriów.**
- ◆ **Obrażenia związane ze zbyt długotrwałym używaniem narzędzia. Pracując przez dłuższy czas, należy robić regularne przerwy.**
- ◆ **Uszkodzenie słuchu.**
- ◆ **Zagrożenie dla zdrowia spowodowane wdychaniem pyłu wytwarzanego podczas użytkownika urządzenia (np.: podczas pracy w drewnie, szczególnie dębowym, bukowym oraz MDF).**

Drgania

Podawana w tabeli danych technicznych oraz w deklaracji zgodności z normami wartość drgań (wibracji), została zmierzona zgodnie ze standardową procedurą zawartą w normie EN 60745. Informacja ta może służyć do porównywania tego narzędzia z innymi. Deklarowana wartość emitowanych drgań może również służyć do przewidywania stopnia narażenia użytkownika na wibrację.

Uwaga! Chwilowa siła drgań, występująca w czasie pracy elektronarzędziem, może odbiegać od podawanych wartości, w zależności od sposobu użytkownika urządzenia. Poziom wibracji może przekroczyć podawaną wartość.

Przy określaniu ekspozycji na wibrację, w celu podjęcia środków ochrony osób zawodowo użytkujących elektronarzędzia, zgodnie z normą 2002/44/EC, należy uwzględnić rzeczywiste warunki i rodzaj wykonywanej pracy. Także okresy przestoju i pracy bez obciążenia.

Symbole na urządzeniu

Na obudowie narzędzia umieszczono następujące piktogramy:



Uwaga! Aby zminimalizować ryzyko zranienia, użytkownik musi zapoznać się z instrukcją obsługi.

Dodatkowe wskazówki dotyczące bezpiecznego użytkownika akumulatorów i ładowarek

Akumulatory

- ◆ **Pod żadnym pozorem nie wolno otwierać akumulatorów.**

- ◆ Nie wolno wystawiać akumulatorów na działanie wody.
- ◆ Nie wolno wystawiać akumulatorów na działanie wysokiej temperatury.
- ◆ Nie wolno przechowywać w miejscach, w których temperatura może przekroczyć 40 °C.
- ◆ Ładować tylko przy temperaturze otoczenia w zakresie od 10 °C do 40 °C.
- ◆ Do ładowania używać wyłącznie fabrycznie dołączonej ładowarki.
- ◆ Utylizację akumulatorów należy przeprowadzić zgodnie z instrukcją podaną w rozdziale "Protecting the environment (Ochrona środowiska)".
- ◆ Nie wolno niszczyć ani zgniatać akumulatorów, robić w nich otworów i rozbijać, ponieważ może to spowodować zranienie lub pożar.
- ◆ Nie wolno ładować uszkodzonych akumulatorów.
- ◆ W wyjątkowym wypadku może dojść do wycieku z baterii. Jeśli na akumulatorze pojawi się płyn, należy ostrożnie zetrzeć go ściereczką. Unikać kontaktu ze skórą.
- ◆ W przypadku zetknięcia się ze skórą lub dostania do oczu, należy postępować zgodnie z poniższymi wskazówkami.

Uwaga! Elektrolit może spowodować uszkodzenie ciała lub mienia. W przypadku zetknięcia się ze skórą należy natychmiast spłukać wodą. W przypadku pojawienia się zaczerwienienia, bólu lub podrażnienia należy zgłosić się do lekarza. W przypadku dostania się do oczu, należy natychmiast przemyć czystą wodą i zgłosić się do lekarza.

Ładowarki

Opisywana ładowarka pracuje na określonym napięciu. Należy zawsze upewnić się, czy napięcie zasilania odpowiada napięciu podanemu na tabliczce znamionowej.

Uwaga! Nigdy nie próbuj zastępować ładowarki zasilaniem sieciowym.

- ◆ Posiadanej ładowarki Black & Decker należy używać wyłącznie do ładowania akumulatorów, z którymi została dostarczona. Ładowanie innych akumulatorów może spowodować ich rozsadzenie i być przyczyną zranienia oraz innych szkód.
- ◆ Nie wolno ładować baterii jednorazowego użytku, nie przeznaczonych do wielokrotnego ładowania.
- ◆ Ze względów bezpieczeństwa, wymiany uszkodzonego przewodu zasilającego powinien dokonywać producent lub Autoryzowany Serwis Black & Decker.
- ◆ Wadliwe przewody zasilające należy natych-

miast wymieniać.

- ◆ Nie wystawiać na działanie wody.
- ◆ Nie rozkręcać ładowarki.
- ◆ Nie podłączać ładowarki do próbnika.
- ◆ W czasie ładowania urządzenie/narzędzie/akumulator powinny znajdować się w dobrze wentylowanym miejscu.



Ładowarka przeznaczona jest wyłącznie do użycia wewnątrz pomieszczeń zamkniętych.



Przed użyciem należy przeczytać instrukcję obsługi.



Uszkodzony transformator zabezpieczający. Obwód zasilania jest odizolowany elektrycznie od wyjścia z transformatora.



Ładowarka wyłącza się automatycznie, jeśli temperatura otoczenia jest zbyt wysoka. Uniemożliwi to korzystanie z ładowarki. Urządzenie należy odłączyć od zasilania i przekazać do naprawy w autoryzowanym serwisie.

Ochrona przed porażeniem prądem elektrycznym



Ładowarka jest podwójnie izolowana; dlatego nie ma konieczności stosowania dodatkowego uziemienia. Należy zawsze upewnić się, czy napięcie zasilania odpowiada napięciu podanemu na tabliczce znamionowej.

- ◆ Ze względów bezpieczeństwa, wymiany uszkodzonego przewodu zasilającego powinien dokonywać producent lub Autoryzowany Serwis Black & Decker.
- ◆ **Uwaga!** Nigdy nie próbuj zastępować ładowarki zasilaniem sieciowym.

Wyposażenie

1. Wyłącznik
2. Przełącznik lewych / prawych obrotów
3. Uchwyt na końcówki
4. Podświetlenie diodowe

Rys. A

5. Ładowarka
6. Wtyczka ładowarki

Montaż

Montaż i demontaż wiertła lub końcówki wkrętkarki (Rys. B)

Wkrętak przystosowany jest do sześciokątnych końcówek i wiertła o średnicy uchwytu 6,35 mm (1/4").

- ◆ Aby założyć końcówkę, należy wsunąć trzonek do uchwyty (3).
- ◆ Aby wyjąć końcówkę, należy wysunąć trzonek z uchwyty (3).

Eksploatacja

Uwaga! Uwzględnij tempo pracy narzędzia. Nie przeciążaj narzędzia.

- ◆ Przed pierwszym użyciem akumulator należy ładować przez przynajmniej 9 godzin.

Ładowanie akumulatorów (Rys. C)

- ◆ Włożyć wtyczkę ładowarki (6) do gniazda ładowania (7).
- ◆ Podłączyć zasilacz (5) do gniazda zasilania.
- ◆ Pozostawić narzędzie podłączone do ładowarki na 12 godzin.

Ładowarka może w trakcie pracy szumieć i nagrzewać się; jest to zjawisko normalne i nie świadczy o uszkodzeniu.

Uwaga! Nie wolno ładować akumulatorów przy temperaturze otoczenia poniżej 10 °C lub powyżej 40 °C.

Wybór kierunku obrotów (Rys. D)

Do wiercenia otworów i wkręcania wkrętów, należy używać prawych obrotów. Aby wykręcać wkręty lub wyjąć zakleszczony wiertło, należy używać lewych obrotów.

- ◆ Aby włączyć prawe obroty, należy przesunąć przełącznik kierunku obrotów (2) do przodu.
- ◆ Aby włączyć lewe obroty, należy przesunąć przełącznik kierunku obrotów (2) do tyłu.
- ◆ Aby zablokować narzędzie, należy ustawić przełącznik kierunku obrotów w pozycji środkowej.

Wiercenie/wkręcanie

- ◆ Wybrać kierunek obrotów za pomocą przełącznika kierunku obrotów (2).
- ◆ Aby włączyć urządzenie, należy nacisnąć wyłącznik (1).
- ◆ Aby wyłączyć narzędzie, należy zwolnić wyłącznik (1).

Podświetlenie diodowe

Podświetlenie diodowe (4) uruchamia się automatycznie, gdy wciśnięty jest wyłącznik. Podświetlenie uruchamia się także, gdy wyłącznik jest wciśnięty a przełącznik kierunku obrotów (2) znajduje się w pozycji środkowej (blokada narzędzia).

Wskazówki praktyczne

Wkręcanie wkrętów

- ◆ Zawsze używaj właściwego typu i rozmiaru końcówek.

- ◆ Jeśli występują trudności z dokręceniem wkrętów, można spróbować nałożyć małą ilość płynu do zmywania lub mydła jako smaru.
- ◆ Używaj blokady wrzeciona do poluzowywania bardzo mocno przykręconych wkrętów lub mocnego dokręcania.
- ◆ Dbaj o proste ustawienie wkrętaka, końcówki i wkrętu.
- ◆ W przypadku wkręcania wkrętów w drewno warto nawiercić otwór pomocniczy o głębokości równej długości wkrętu. Otwór taki ułatwia wprowadzenie wkrętu i zapobiega pękaniu i odkształceniu drewna. Optymalną wielkość otworu można dobrać na podstawie poniższej tabeli.
- ◆ Przy wkręcaniu wkrętów w twarde drewno także należy nawiercić otwór, ale o głębokości równej połowie długości wkrętu. Optymalną wielkość otworu można dobrać na podstawie poniższej tabeli.

Rozmiar wkrętów	Otwór pomocniczy Ø (miękkie drewno)	Otwór pomocniczy Ø (twarde drewno)	Otwór
No. 6 (3,5mm)	2,0mm	2,5mm	3,6mm
No. 8 (4mm)	2,5mm	3,0mm	4,5mm
No. 10 (5mm)	3,0mm	3,5mm	5,0mm

Wiercenie

- ◆ W czasie wiercenia, wiertarkę należy trzymać w linii prostej i lekko dociskać.
- ◆ Tuż przed przejściem wiertła na drugą stronę wierzonego elementu, należy zmniejszyć nacisk.
- ◆ Materiał, który łatwo pęka, można podeprzeć od spodu drewnianym klocek.
- ◆ Aby zwiększyć dokładność, miejsce wiercenia można napunktować.

Akcesoria

Wydajność narzędzia zależy od użytego osprzętu. Osprzęt Black & Decker i Piranha został wykonany z zachowaniem wysokich standardów jakości i zaprojektowany tak, aby podnieść wydajność narzędzia. Używając tych akcesoriów maksymalnie wykorzystasz możliwości swojego narzędzia.

Wkrętak przystosowany jest do sześciokątnych końcówek 1/4" (6,35 mm). Akcesoria Piranha Super-lok zostały zaprojektowane do użycia razem z opisywanym wkrętakiem.

Konserwacja

Opisywane sieciowe/bezprzewodowe urządzenie/narzędzie Black & Decker zostało zaprojektowane tak, aby zapewnić długoletnią pracę przy minimalnej

konieczności konserwacji. Aby długo cieszyć się właściwą pracą urządzenia, należy odpowiednio z nim postępować i regularnie je czyścić. Ładowarka nie wymaga, oprócz okresowego czyszczenia, żadnej dodatkowej konserwacji.

Uwaga! Przed przystąpieniem do konserwacji narzędzia, należy wyłączyć je i wyjąć wtyczkę z gniazda zasilania lub, jeśli to możliwe, odłączyć akumulator. Jeśli akumulator jest zintegrowany, należy go całkowicie rozładować. Przed czyszczeniem wyjąć wtyczkę ładowarki z gniazda zasilającego.

- ◆ Otwory wentylacyjne w narzędziu i ładowarce należy okresowo czyścić przy użyciu miękkiej szczoteczki lub suchej szmatki.
- ◆ Okresowo czyścić obudowę wilgotną ściereczką. Nie wolno używać preparatów do szorowania ani na bazie rozpuszczalników.
- ◆ Okresowo należy rozkręcić uchwyt i wytrzeć z niego gromadzący się pył.

Ochrona środowiska



Selektywna zbiórka odpadów. Opisowanego produktu nie wolno utylizować razem ze zwykłymi śmieciami z gospodarstw domowych.

Gdy okaże się, że konieczna jest wymiana posiadanego narzędzia Black & Decker lub nie będzie się go więcej używać, nie należy wyrzucać go razem ze śmieciami z gospodarstwa domowego. Należy przekazać produkt do punktu selektywnej zbiórki odpadów.



Selektywna zbiórka zużytych produktów i opakowań pozwala na powtórne wykorzystanie użytych materiałów. Powtórne użycie materiałów pomaga chronić środowisko naturalne przed zanieczyszczeniem i zmniejsza zapotrzebowanie na surowce.

Lokalne prawodawstwo może zapewniać możliwość osobnej utylizacji zużytych sprzętów elektrycznych pochodzących z gospodarstw domowych, na miejscich wysypiskach śmieci lub poprzez pozostawienie starego urządzenia u sprzedawcy, gdy kupuje się nowy sprzęt.

Black & Decker zapewnia możliwość zbiórki i recyklingu swoich produktów po zakończeniu okresu eksploatacji. Aby skorzystać z tej możliwości, prosimy zwrócić się do jednego z Autoryzowanych Przedstawicieli Serwisowych, który odbierze je od Państwa w naszym imieniu.

Adres najbliższego Autoryzowanego Przedstawiciela Serwisowego dostępny jest w lokalnym biurze Black & Decker, którego adres podany jest w niniejszej instrukcji obsługi. Lista Autoryzowanych Przedstawicieli Serwisowych Black & Decker oraz informacje na temat naszego serwisu posprzedażowego dostępne są również na stronie internetowej: www.2helpU.com

Akumulatory



Po zakończeniu okresu eksploatacji należy je zutylizować w sposób bezpieczny dla środowiska naturalnego:

- ◆ Nie wolno dopuszczać do zwarcia biegunów akumulatora.
- ◆ Nie wolno wrzucać zużytych akumulatorów do ognia, ponieważ grozi to zranieniem lub wybuchem.
- ◆ Całkowicie wyczerpać baterię i wyjąć z narzędzia.
- ◆ Akumulatory podlegają recyklingowi. Należy umieścić je w opakowaniu zabezpieczającym przed zwarcieniem biegunów. Zanieś je do Autoryzowanego Serwisu lub miejscowego punktu recyklingu.

Dane techniczne

KC460LN (H1)	
Napięcie	V_{DC} 3,6
Prędkość bez obciążenia	min^{-1} 180
Maksymalny moment obrotowy	
- twarde złącze	Nm 7,7
- miękkie złącze	Nm 3,2
Uchwyt na końcówki	mm 6,35 (1/4")
Waga	kg 0,4

Akumulator

Napięcie	V 3,6
Typ baterii	Li-Ion
Pojemność	Ah 1,1/1,3

Ładowarka 905450XX

Napięcie wejściowe	V_{AC} 230
Napięcie wyjściowe	V_{DC} 9
Natężenie	mA 100
Przybliżony czas ładowania	godz. 12
Waga	kg 0,4

Poziom ciśnienia akustycznego zgodnie z EN 60745:

Ciśnienie akustyczne (L_{pA}) 58,9 dB(A),
niepewność (K) 3 dB(A)
Moc akustyczna (L_{WA}) 69,9 dB(A),
niepewność (K) 3 dB(A)

Sumaryczna wielkość drgań (suma wektorów trzech osi) zgodnie z normą EN 60745:

Wiercenie w metalu ($a_{h,D}$) < 0,979 m/s²,
niepewność (K) 1,5 m/s²
Wkręcanie bez uderu ($a_{h,S}$) < 0,247 m/s²,
niepewność (K) 1,5 m/s²

Deklaracja zgodności UE

DYREKTYWA MASZYNOWA



KC460LN H1

Firma Black & Decker oświadcza, że produkty opisane pod "dane techniczne" są zgodne z następującymi przepisami: 2006/42/EC, EN 60745-1, EN 60745-2-2

Produkty te są również zgodne z zapisami dyrektyw 2004/108/WE oraz 2011/65/UE. Aby otrzymać więcej informacji, należy skontaktować się z firmą Stanley Europe pod adresem podanym poniżej lub na końcu instrukcji.

Produkty te są również zgodne z zapisami dyrektyw 2004/108/WE oraz 2011/65/UE. Aby otrzymać więcej informacji, należy skontaktować się z firmą Stanley Europe pod adresem podanym poniżej lub na końcu instrukcji.

Osoba niżej podpisana odpowiada za zestawienie informacji technicznych i złożenie deklaracji zgodności w imieniu firmy Black & Decker.

Kevin Hewitt
Wiceprezes Global Engineering
Black & Decker Europe, 210 Bath Road, Slough,
Berkshire, SL1 3YD
Wielka Brytania
15/08/2012

Black & Decker

WARUNKI GWARANCJI:

Produkty marki Black & Decker reprezentują bardzo wysoką jakość, dlatego oferujemy dla nich korzystne warunki gwarancyjne. Niniejsze warunki gwarancji nie pomniejszają praw klienta wynikających z polskich regulacji ustawowych lecz są ich uzupełnieniem. Gwarancja jest ważna na terenie Rzeczypospolitej Polskiej.

Black & Decker gwarantuje sprawne działanie produktu w przypadku postępowania zgodnego z warunkami techniczno-eksploatacyjnymi opisanymi w instrukcji obsługi.

Niniejszą gwarancją nie jest objęte dodatkowe wyposażenie, jeżeli nie została do niego dołączona oddzielna karta gwarancyjna oraz elementy wyrobu podlegające naturalnemu zużyciu.

1. Niniejszą gwarancją objęte są usterki produktu spowodowane wadami produkcyjnymi i wadami materiałowymi.
2. Niniejsza gwarancja jest ważna po przedstawieniu przez Klienta w Centralnym Serwisie Gwarancyjnym reklamowanego produktu oraz łącznie:
 - a) poprawnie wypełnionej karty gwarancyjnej;
 - b) ważnego paragonu zakupu z datą sprzedaży taką, jak w karcie gwarancyjnej lub kopii faktury.
3. Gwarancja obejmuje bezpłatną naprawę urządzenia (wraz z bezpłatną wymianą uszkodzonych części) w okresie 24 miesięcy od daty zakupu.
4. Produkt reklamowany musi być:
 - a) dostarczony bezpośrednio do Centralnego Serwisu Gwarancyjnego wraz z poprawnie wypełnioną Kartą Gwarancyjną i ważnym paragonem zakupu (lub kopią faktury) oraz szczegółowym opisem uszkodzenia, lub
 - b) przesłany do Centralnego Serwisu Gwarancyjnego za pośrednictwem punktu sprzedaży wraz z dokumentami wymienionymi powyżej.
5. Koszty wysyłki do Centralnego Serwisu Gwarancyjnego ponosi Serwis. Wszelkie koszty związane z zapewnieniem bezpiecznego opakowania, ubezpieczeniem i innym ryzykiem ponosi Klient. W przypadku odrzucenia roszczenia gwarancyjnego, produkt jest odsyłany do miejsca nadania na koszt adresata.
6. Usterki ujawnione w okresie gwarancji będą usunięte przez Centralny Serwis Gwarancyjny w terminie:
 - a) 14 dni roboczych od daty przyjęcia produktu przez Centralny Serwis Gwarancyjny;
- b) termin usunięcia wady (punkt 6a) może być wydłużony o czas niezbędny do importu niezbędnych części zamiennych.
7. Klient otrzyma nowy sprzęt, jeżeli:
 - a) Centralny Serwis Gwarancyjny stwierdzi na piśmie, że usunięcie wady jest niemożliwe;
 - b) produkt nie podlega naprawie, tylko wymianie bez dokonywania naprawy.
8. O ile taki sam produkt jest nieosiągalny, może być wydany nowy produkt o nie gorszych parametrach.
9. Decyzja Centralnego Serwisu Gwarancyjnego odnośnie zasadności zgłaszanych usterek jest decyzją ostateczną.
10. Gwarancja nie są objęte:
 - a) wadliwe działanie lub uszkodzenia spowodowane niewłaściwym użytkowaniem lub używaniem produktu niezgodnie z przeznaczeniem, instrukcją obsługi lub przepisami bezpieczeństwa. W szczególności profesjonalne użytkowanie amatorskich narzędzi Black & Decker powoduje utratę gwarancji;
 - b) wadliwe działanie lub uszkodzenia spowodowane przeciążaniem narzędzia, które prowadzi do uszkodzeń silnika, przekładni lub innych elementów a także stosowaniem osprzętu innego niż zalecany przez Black & Decker;
 - c) mechaniczne uszkodzenia produktu i wywołane nimi wady;
 - d) wadliwe działanie lub uszkodzenia na skutek działania pożaru, powodzi, czy też innych klęsk żywiołowych, nieprzewidzianych wypadków, korozji, normalnego zużycia w eksploatacji czy też innych czynników zewnętrznych;
 - e) produkty, w których naruszone zostały plomby gwarancyjne lub, które były naprawiane poza Centralnym Serwisem Gwarancyjnym lub były przerabiane w jakikolwiek sposób;
 - f) osprzęt eksploatacyjny dołączony do urządzenia oraz elementy ulegające naturalnemu zużyciu.
11. Centralny Serwis Gwarancyjny, firmy handlowe, które sprzedały produkt, nie udzielają upoważnień ani gwarancji innych niż określone w karcie gwarancyjnej. W szczególności nie obejmują prawa klienta do domagania się zwrotu utraconych zysków w związku z uszkodzeniem produktu.
12. Gwarancja nie wyłącza, nie ogranicza ani nie zawiesza uprawnień kupującego wynikających z niezgodności towaru z umową.

Centralny Serwis Gwarancyjny ERPATECH
ul. Bakaliowa 26, 05-080 Mościska
tel.: (22) 862-08-08, (22) 431-05-05
faks: (22) 862-08-09

Použitie výrobku

Váš kompaktný skrutkovač Black & Decker je určený na skrutkovanie a vŕtanie do dreva, kovu a plastu. Toto náradie je určené len na použitie v domácnosti.

Bezpečnostné pokyny

Všeobecné bezpečnostné pokyny pre prácu s elektrickým náradím



Varovanie! Pozorne si prečítajte všetky bezpečnostné varovania a pokyny. Nedodržanie nižšie uvedených pokynov môže mať za následok úraz elektrickým prúdom, vznik požiaru alebo vážne poranenie.

Tieto bezpečnostné varovania a pokyny uschovajte pre prípadné ďalšie použitie. Označenie "elektrické náradie" vo všetkých nižšie uvedených upozorneniach odkazuje na Vaše náradie napájané zo siete (obsahuje napájací prívodný kábel) alebo náradie napájané batériami (bez prívodného kábla).

1. Bezpečnosť v pracovnom priestore

- Pracovný priestor udržiajte v čistote a dobre osvetlený.** Neporiadok na pracovnom stole a nedostatok svetla v jeho okolí vedú k nehodám.
- S elektrickým náradím nepracujte vo výbušných priestoroch, ako sú napríklad priestory s výskytom horľavých kvapalín, plynov alebo prašných látok.** Elektrické náradie je zdrojom iskrenia, ktoré môže viesť k vznieteniu horľavín.
- Pri práci s elektrickým náradím držte deti a nepovolane osoby mimo jeho dosahu.** Rozptyľovanie môže spôsobiť stratu kontroly nad náradím.

2. Elektrická bezpečnosť

- Zástrčka prívodného kábla náradia musí zodpovedať zásuvke.** Nikdy akýmkoľvek spôsobom zástrčku neupravujte. Nepoužívajte s uzemneným elektrickým náradím žiadne upravené zástrčky. Neupravované zástrčky a zodpovedajúce zásuvky znižujú riziko vzniku úrazu elektrickým prúdom.
- Nedotýkajte sa uzemnených povrchov, ako sú napr. potrubia, radiátory, sporáky a chladničky.** Pri uzemnení Vášho tela hrozí zvýšené nebezpečenstvo úrazu elektrickým prúdom.
- Nevystavujte elektrické náradie dažďu alebo vlhkému prostrediu.** Pokiaľ do náradia vnikne voda, zvýši sa riziko úrazu elektrickým prúdom.
- S prívodným káblom zaobchádzajte opatrne.** Nikdy nepoužívajte prívodný kábel na prenášanie náradia, na jeho posúvanie

a pri odpájaní náradia od elektrickej siete za neho neťahajte. Dbajte na to, aby sa kábel nedostal do kontaktu s mastnými, horúcimi a ostrými predmetmi a s pohyblivými časťami náradia. Poškodený alebo zapletený prívodný kábel zvyšuje riziko vzniku úrazu elektrickým prúdom.

- Pri práci s náradím vonku používajte predlžovacie káble určené na vonkajšie použitie.** Použitie kábla určeného na vonkajšie použitie znižuje riziko úrazu elektrickým prúdom.
 - Ak musíte s elektrickým náradím pracovať vo vlhkom prostredí, použite zdroj napätia s prúdovým chráničom (RCD).** Použitie prúdového chrániča (RCD) znižuje riziko úrazu elektrickým prúdom.
- ### 3. Bezpečnosť obsluhy
- Zostaňte stále pozorní, sledujte, čo robíte a pri práci s elektrickým náradím premýšľajte.** Nepoužívajte elektrické náradie, ak ste unavení alebo ak ste pod vplyvom drog, alkoholu alebo liekov. Chvilka nepozornosti pri práci s elektrickým náradím môže viesť k vážnemu úrazu.
 - Používajte prostriedky na ochranu osôb. Vždy používajte ochranu zraku.** Vždy používajte ochranu zraku. Ochranné prostriedky, ako respirátor, nekízavá pracovná obuv, pokrývka hlavy a chrániče sluchu znižujú riziko poranenia osôb.
 - Zabráňte náhodnému zapnutiu. Pred pripojením k zdroju napätia alebo pred vložením akumulátora, zdvíhaním alebo prenášaním náradia skontrolujte, či je hlavný vypínač vypnutý.** Prenášanie náradia s prstom na hlavnom vypínači alebo pripojenie prívodného kábla k elektrickému rozvodu, ak je hlavný vypínač náradia v zapnutej polohe, môže spôsobiť úraz.
 - Pred zapnutím náradia sa vždy uistite, či nie sú v jeho blízkosti kľúče alebo nastavovacie prípravky.** Ponechané kľúče môžu byť zachytené rotujúcimi časťami náradia a môžu spôsobiť úraz.
 - Neprekážajte sami sebe. Pri práci vždy udržujte vhodný a pevný postoj.** Tak je umožnená lepšia kontrola nad náradím v neočakávaných situáciách.
 - Vhodne sa obliekajte. Nenoste voľný odev alebo šperky.** Dbajte na to, aby sa Vaše vlasy, odev a rukavice nedostali do kontaktu s pohyblivými časťami. Voľné šaty, šperky alebo dlhé vlasy môžu byť pohyblivými dielmi zachytené.

- g. Ak sú zariadenia vybavené adaptérom pre pripojenie odsávacieho zariadenia a zberných zásobníkov, zaistite ich správne pripojenie a riadnu funkciu.** Použitie týchto zariadení môže znížiť nebezpečenstvo týkajúce sa prachu.
- 4. Použitie elektrického náradia a jeho údržba**
- a. Elektrické náradie nepreťažujte. Používajte správny typ náradia pre Vašu prácu.** Pri použití správneho typu náradia bude práca vykonaná lepšie a bezpečnejšie.
- b. Ak nejde hlavný vypínač náradia zapnúť a vypnúť, s náradím nepracujte.** Akékoľvek náradie s nefunkčným hlavným vypínačom je nebezpečné a musí byť opravené.
- c. Pred výmenou akýchkoľvek častí, príslušenstva alebo iných pripojených súčastí, pred vykonávaním údržby alebo pokiaľ náradie nepoužívate, odpojte ho od elektrickej siete alebo vyberte akumulátor.** Tieto preventívne bezpečnostné opatrenia znižujú riziko náhodného zapnutia náradia.
- d. Pokiaľ náradie nepoužívate, uložte ho mimo dosahu detí a zabráňte tomu, aby toto náradie použili osoby, ktoré nie sú oboznámené s jeho obsluhou alebo s týmto návodom.** Elektrické náradie je v rukách nequalifikovanej obsluhy nebezpečné.
- e. Údržba elektrického náradia. Skontrolujte vychýlenie či zaseknutie pohyblivých častí, poškodenie jednotlivých dielov a iné okolnosti, ktoré môžu mať vplyv na chod náradia. Pokiaľ je náradie poškodené, nechajte ho pred použitím opraviť.** Mnoho nehôd vzniká v dôsledku nedostatočnej údržby náradia.
- f. Rezné nástroje udržiavajte ostré a čisté.** Riadne udržiavané rezné nástroje s ostrými hranami sa menej zanášajú a lepšie sa ovládajú.
- g. Náradie, príslušenstvo a držiaky nástrojov používajte podľa týchto pokynov a spôsobom určeným daným typom náradia. Berte do úvahy prevádzkové podmienky a prácu, ktorú je nutné vykonať.** Použitie náradia na iné účely, než na aké je určené, môže byť nebezpečné.
- 5. Použitie akumulátorového náradia a jeho údržba**
- a. Nabíjajte iba v nabíjačke určenej výrobcom.** Nabíjačka vhodná pre jeden typ akumulátora môže pri vložení iného nevhodného typu spôsobiť požiar.
- b. Používajte elektrické náradie výhradne s akumulátormi, ktoré sú určené pre daný typ náradia.** Použitie iných typov akumulátorov môže spôsobiť požiar alebo zranenie.
- c. Pokiaľ akumulátory nepoužívate, držte ich mimo dosahu kovových predmetov ako sú kancelárske sponky na papier, mince, kľúče, klinčeky, skrutki alebo ďalšie drobné kovové predmety, ktoré môžu spôsobiť skrat oboch svoriek akumulátora.** Vzájomné skratovanie svoriek akumulátora môže spôsobiť popáleniny alebo požiar.
- d. V nevhodných podmienkach môže z akumulátora unikat kvapalina. Vyvarujte sa kontaktu s touto kvapalinou. Pokiaľ prídete s kvapalinou náhodne do styku, zasiahnuté miesto omyte vodou. Ak sa Vám dostane táto kvapalina do očí, zasiahnuté miesto opláchnite vodou a vyhľadajte lekársku pomoc.** Unikajúca kvapalina z akumulátora môže spôsobiť podráždenie pokožky alebo popáleniny.
- 6. Opravy**
- a. Zverte opravu Vášho náradia iba osobe s príslušnou kvalifikáciou, ktorá bude používať výhradne originálne náhradné diely.** Tým zaistíte bezpečnú prevádzku náradia.

Doplňkové bezpečnostné pokyny pre prácu s elektrickým náradím



Varovanie! Doplňkové bezpečnostné pokyny pre skrutkovače a rázové uťahovače

- ♦ **Pri pracovných operáciách, pri ktorých by mohlo dôjsť ku kontaktu so skrytými vodičmi alebo s vlastným prírodným káblom, držte elektrické náradie vždy za izolované rukoväte.** Pri kontakte s vodičom pod prúdom sa nechránené kovové časti náradia stanú vodič a obsluha tak utrpí zásah elektrickým prúdom.
- ♦ **Pri použití rázového uťahovača používajte ochranu sluchu.** Nadmerná hlučnosť môže spôsobiť stratu sluchu.
- ♦ **Používajte prídavné rukoväte dodávané s náradím.** Strata kontroly nad náradím môže viesť k úrazu.
- ♦ **Na zaistenie a upnutie obrobku k pracovnému stolu používajte svorky alebo iné vhodné prostriedky.** Držanie obrobku rukou alebo jeho pritlačenie k telu nezaistí jeho stabilitu a môže viesť k strate kontroly.

- ◆ Pred skrutkovaním do stien, podláh alebo stropov najskôr skontrolujte polohu skrytých elektrických vedení a potrubí.
- ◆ Tento prístroj nie je určený na použitie osobami (vrátane detí) so zníženými fyzickými, zmyslovými alebo duševnými schopnosťami, alebo s nedostatkom skúseností a znalostí, pokiaľ tieto osoby nepracujú pod dohľadom, alebo pokiaľ im neboli poskytnuté inštrukcie týkajúce sa použitia prístroja osobou zodpovednou za ich bezpečnosť. Deti by mali byť pod dozorom, aby sa s náradím nehrali.
- ◆ Použitie tohto výrobku je popísané v tomto návode. Použitie iného príslušenstva alebo prídavného zariadenia a vykonávanie iných pracovných operácií než je odporúčané v tomto návode, môže predstavovať riziko zranenia obsluhy alebo riziko hmotných škôd.

Bezpečnosť ostatných osôb

- ◆ Toto náradie nie je určené na použitie osobami (vrátane detí) so zníženými fyzickými, zmyslovými alebo duševnými schopnosťami, alebo s nedostatkom skúseností a znalostí, ak týmto osobám nebol stanovený dohľad, alebo ak im neboli poskytnuté inštrukcie týkajúce sa použitia výrobku osobou zodpovednou za ich bezpečnosť.
- ◆ Deti by mali byť pod dozorom, aby sa so zariadením nehrali.

Zvyškové riziká

Ak sa náradie používa iným spôsobom, než je uvedené v priložených bezpečnostných varovaniach, môžu sa objaviť dodatočné zvyškové riziká. Tieto riziká môžu vzniknúť v dôsledku nesprávneho použitia, dlhodobého použitia atď.

Napriek tomu, že sa dodržiavajú príslušné bezpečnostné predpisy a používajú sa bezpečnostné zariadenia, určité zvyškové riziká sa nemôžu vylúčiť. Tieto riziká sú nasledujúce:

- ◆ **Zranenia spôsobené kontaktom s rotujúcimi alebo pohyblivými dielmi náradia.**
- ◆ **Zranenia spôsobené pri výmene akýchkoľvek dielov, rezných nástrojov alebo príslušenstva.**
- ◆ **Zranenia spôsobené dlhodobým použitím náradia. Ak používate akékoľvek náradie dlhší čas, zaistite, aby sa robili pravidelné prestávky.**
- ◆ **Poškodenie sluchu.**
- ◆ **Zdravotné riziká spôsobené vdychovaním prachu vytváraného pri použití náradia (príklad: - práca s drevom, najmä s dubovým, bukovým a MDF).**

Vibrácie

Deklarovaná úroveň vibrácií uvedená v technických údajoch a vo vyhlásení o zhode bola meraná v súlade so štandardnou skúšobnou metódou predpísanou normou EN 60745 a môže sa použiť na porovnanie jednotlivých náradí medzi sebou. Deklarovaná úroveň vibrácií môže byť tiež použitá na predbežné stanovenie doby práce s týmto výrobkom.

Varovanie! Úroveň vibrácií pri aktuálnom použití elektrického náradia sa môže od deklarovanej úrovne vibrácií líšiť v závislosti od spôsobu použitia výrobku. Úroveň vibrácií môže byť oproti uvedenej hodnote vyššia.

Pri stanovení doby vystavenia sa vibráciám z dôvodu určenia bezpečnostných opatrení podľa normy 2002/44/EC na ochranu osôb pravidelne používajúcich elektrické náradie v zamestnaní by mal predbežný odhad pôsobenia vibrácií brať do úvahy aktuálne podmienky použitia náradia s prihliadnutím na všetky časti pracovného cyklu, ako aj času, počas ktorého je náradie vypnuté a kedy beží naprázdno.

Štítky na náradí

Na stroji sú nasledovné piktogramy:



Varovanie! Z dôvodu zníženia rizika spôsobenia úrazu si užívateľ musí prečítať tento návod na použitie.

Ďalšie bezpečnostné pokyny pre akumulátory a nabíjačky

Akumulátory

- ◆ Nikdy sa nepokúšajte narušiť obal akumulátora.
- ◆ Nevystavujte akumulátor vlhkosti.
- ◆ Nevystavujte akumulátor pôsobeniu tepla.
- ◆ Neskladujte tieto akumulátory na miestach, kde môže teplota prekročiť 40 °C.
- ◆ Nabíjajte len pri teplotách v rozmedzí od 10 °C do 40 °C.
- ◆ Nabíjajte iba nabíjačkou dodanou s prístrojom.
- ◆ Pri likvidácii akumulátorov sa riadte pokynmi uvedenými v kapitole "Ochrana životného prostredia".
- ◆ Nelikvidujte akumulátor prepichnutím alebo nárazom, pretože by mohlo dôjsť k poraneniu a požiaru.
- ◆ Nepokúšajte sa nabíjať poškodené akumulátory.
- ◆ V extrémnych podmienkach môže dochádzať k úniku kvapaliny z akumulátora. Akonáhle sa na akumulátore objaví kvapalina, poriadne ju otrite handrou. Dbajte na to, aby sa táto kvapalina nedostala do kontaktu s pokožkou.

- ♦ Ak dôjde ku kontaktu s pokožkou alebo k zasiahnutiu očí, postupujte podľa nižšie uvedených pokynov.

Varovanie! Kvapalina z akumulátora môže spôsobiť zranenie osôb alebo hmotné škody. Ak dôjde ku kontaktu elektrolytu s pokožkou, okamžite opláchnite zasiahnuté miesto. Ak dôjde k začervenaniu, bolesti alebo k podráždeniu, vyhľadajte lekárske ošetrovanie. Ak zasiahne kvapalina oči, okamžite si ich začinite vyplachovať čistou vodou a ihneď vyhľadajte lekárske ošetrovanie.

Nabíjačky

Vaša nabíjačka je určená pre špecifické napájacie napätie. Vždy skontrolujte, či napätie uvedené na výkonovom štítku zodpovedá napájaciemu napätiu v sieti.

Varovanie! Nikdy sa nepokúšajte nahradiť nabíjačku sieťovou zástrčkou.

- ♦ Používajte nabíjačku Black & Decker iba na nabíjanie akumulátora, ktorý bol dodaný s náradím. Ostatné akumulátory môžu prasknúť, spôsobiť poranenie alebo iné škody.
- ♦ Nepokúšajte sa nabíjať akumulátory, ktoré nie sú určené na nabíjanie.
- ♦ Ak dôjde k poškodeniu prírodného kábla, musí sa vymeniť výrobcom alebo autorizovaným servisom Black & Decker, aby sa zabránilo riziku úrazu.
- ♦ Poškodené káble ihneď vymeňte.
- ♦ Nevystavujte nabíjačku vlhkosti.
- ♦ Nesnažte sa nabíjačku rozoberať.
- ♦ Nepokúšajte sa vniknúť do nabíjačky.
- ♦ Pri nabíjaní musia byť zariadenie/náradie/akumulátory umiestnené na dobre vetranom mieste.



Nabíjačka nie je určená na vonkajšie použitie.



Pred použitím zariadenia si starostlivo prečítajte tento návod.



Bezpečnostný odpojovací transformátor. Napájanie je elektricky odpojené od výstupu transformátora.



Ak je okolitá teplota príliš vysoká, nabíjačka sa automaticky vypne. Následkom toho nabíjačka prestane nabíjať. Zariadenie sa musí odpojiť od elektrickej siete a musí sa poslať do autorizovaného servisu, kde bude opravené.

Elektrická bezpečnosť



Vaša nabíjačka je chránená dvojitou izoláciou. Preto nie je nutné použitie zemniaceho vodiča. Vždy skontrolujte, či napätie v sieti zodpovedá napätiu na výkonovom štítku.

- ♦ Ak dôjde k poškodeniu prírodného kábla, musí sa vymeniť výrobcom alebo autorizovaným servisom Black & Decker, aby sa zabránilo riziku úrazu.
- ♦ **Varovanie!** Nikdy sa nepokúšajte nahradiť nabíjačku sieťovou zástrčkou.

Popis

1. Hlavný vypínač
2. Prepínač pravého a ľavého chodu
3. Držiak nástrojov
4. Diódové svetlá

Obr. A

5. Zástrčka nabíjačky
6. Konektor

Nastavenie

Upnutie a vybratie vrtáku alebo skrutkovacieho nástavca (obr. B)

Na toto náradie sa používa skrutkovací a vŕtací nástavec so šesťhrannou upínacou stopkou 1/4" (6,35 mm).

- ♦ Ak chcete pracovný nástroj nasadiť, vložte jeho upínaciu stopku do držiaka pracovných nástrojov (3).
- ♦ Ak chcete pracovný nástroj vybrať, vyberte jeho upínaciu stopku z držiaka pracovných nástrojov (3).

Použitie

Varovanie! Nechajte náradie pracovať vlastným tempom. Zamedzte preťažovaniu náradia.

- ♦ Pred prvým použitím musí byť akumulátor nabíjaný minimálne 9 hodín.

Nabíjanie akumulátora (obr. C)

- ♦ Zástrčku nabíjačky (6) zasuňte do konektora (7).
- ♦ Pripojte nabíjačku (5) k sieti.
- ♦ Nechajte náradie prepojené s nabíjačkou 12 hodín.

Behom nabíjania môže nabíjačka bzučať a tiež sa môže zahriať. To je v poriadku, nejde o žiadny problém.

Varovanie! Nenabíjajte akumulátor pri teplotách nižších než 10°C alebo vyšších než 40°C.

Voľba smeru otáčania (obr. D)

Pre vŕtanie a uťahovanie skrutiek použite pravý chod. Pri povoľovaní skrutiek a uvoľňovaní zaseknutého vŕtáku použite ľavý chod.

- ◆ Ak chcete zvoliť smer otáčania dopredu, posuňte prepínač pravého /ľavého chodu (2) do polohy vpred.
- ◆ Ak chcete zvoliť smer otáčania dozadu, posuňte prepínač pravého /ľavého chodu (2) do polohy vzad.
- ◆ Ak chcete náradie zablokovať, nastavte prepínač ľavého / pravého chodu do stredovej polohy.

Vŕtanie/skrutkovanie

- ◆ Pomocou prepínača pravého / ľavého chodu (2) zvolte smer otáčania dopredu alebo dozadu.
- ◆ Ak chcete náradie zapnúť, stlačte hlavný vypínač (1).
- ◆ Ak chcete náradie vypnúť, uvoľnite hlavný vypínač (1).

Diódové svetlá

Diódové svetidlo (4) sa automaticky rozsvieti pri stlačení vypínača. Toto svetidlo bude svietiť tiež v situácii, keď bude stlačený hlavný vypínač a prepínač chodu (2) bude v stredovej blokovacej polohe.

Užitočné rady**Skrutkovanie**

- ◆ Vždy používajte správny typ a veľkosť skrutkovacieho nástavca.
- ◆ Ak nejdú skrutky správne pritiahnúť, použite ako mazivo malé množstvo saponátu alebo mydlového roztoku.
- ◆ Na uvoľnenie veľmi dotiahnutých skrutiek alebo ak potrebujete skrutky silno dotiahnuť, používajte zaistenie hriadeľa.
- ◆ Vždy držte náradie so skrutkovacím nastavcom v jednej osi so skrutkou.
- ◆ Pri skrutkovaní do dreva Vám odporúčame vyvŕtať vodiaci otvor, ktorého hĺbka bude zodpovedať dĺžke skrutky. Vodiaci otvor vedie skrutku a zabraňuje štiepeniu dreva alebo jeho deformáciám. Optimálne veľkosti vodiacich otvorov sú uvedené v nasledujúcej tabuľke.
- ◆ Pri skrutkovaní do tvrdého dreva Vám odporúčame vyvŕtať otvor s vôľou, ktorého hĺbka bude zodpovedať polovici dĺžky skrutky. Optimálne veľkosti otvorov s vôľou sú uvedené v nasledujúcej tabuľke.

Veľkosť skrutky	Vodiaci otvor Ø (mäkké drevo)	Vodiaci otvor Ø (tvrdé drevo)	Otvor s vôľou
Č. 6 (3,5mm)	2,0mm	2,5mm	3,6mm
Č. 8 (4mm)	2,5mm	3,0mm	4,5mm
Č. 10 (5mm)	3,0mm	3,5mm	5,0mm

Vŕtanie

- ◆ Vytvárate na náradie mierny tlak v smere zhodnom s osou vŕtáku.
- ◆ Tesne pred preniknutím špičky vŕtáku druhou stranou povrchu obrobku zmenšite tlak vyvíjaný na náradie.
- ◆ Aby nedochádzalo pri prieniku vŕtáku k rozštiepeniu alebo tvorbe triesok na povrchu obrobku, podložte ho kúskom dreva.
- ◆ Na zvýšenie presnosti si vždy uprostred diery, ktorú chcete vŕtať, označte na obrobku pomocou dierkovača vodiaci otvor.

Príslušenstvo

Výkon Vášho náradia závisí od použitého príslušenstva. Príslušenstvo Black & Decker a Piranha sú navrhnuté a vyrobené podľa noriem pre vysokú kvalitu a sú určené na zvýšenie výkonu Vášho náradia. Pri použití tohto príslušenstva získate od Vášho náradia najlepšie pracovné výsledky.

Toto náradie používa skrutkovacie násady s upínacím šesťhranom 6,35mm (1/4). Príslušenstvo Piranha Super-lok je určené na použitie s týmito náradím.

Údržba

Váš výrobok Black & Decker napájaný akumulátorom / prívodným káblom bol navrhnutý tak, aby mal dlhú životnosť spoločne s minimálnymi nárokmi na údržbu. Dlhodobé bezproblémové fungovanie náradia závisí od jeho riadnej údržby a pravidelného čistenia. Vaša nabíjačka nevyžaduje žiadnu údržbu okrem pravidelného čistenia.

Varovanie! Pred prevádzaním akejkoľvek údržby náradie vypnite a odpojte kábel od siete. Ak je náradie vybavené odpojovacím akumulátorom, vyberte ho z náradia. Ak je akumulátor neoddeliteľnou časťou náradia, nechajte ho celkom vybiť. Pred čistením nabíjačky vždy odpojte nabíjačku zo siete.

- ◆ Vetracie otvory Vášho prístroja pravidelne čistite mäkkou kefkou alebo suchou handričkou.
- ◆ Pomocou vlhkej handričky pravidelne čistite kryt motora. Nepoužívajte žiadne brúsne alebo rozpúšťacie čistiace prostriedky.
- ◆ Pravidelne otvárajte skľučovadlo a poklepaním odstráňte prach z vnútornej časti náradia.

Ochrana životného prostredia



Triedený odpad. Tento prístroj nesmie byť vyhodený do bežného domáceho odpadu.

Jedného dňa zistíte, že Váš výrobok Black & Decker musíte vymeniť alebo ho už nebudete ďalej používať. V tomto prípade myslite na ochranu životného prostredia a nevyhadzujte prístroj do domáceho odpadu. Zlikvidujte tento výrobok v triedenom odpade.



Triedený odpad umožňuje recykláciu a opätovné využitie použitých výrobkov a obalových materiálov. Opätovné použitie recyklovaných materiálov pomáha chrániť životné prostredie pred znečistením a znižuje spotrebu surovín.

Miestne zberne odpadov, recyklačné stanice alebo predajne Vám poskytnú informácie o správnej likvidácii elektro odpadov z domácnosti.

Firma Black & Decker poskytuje službu bezplatnej recyklácie výrobkov Black & Decker a akumulátorov po skončení ich životnosti. Ak chcete získať výhody tejto služby, odovzdajte prosím Vaše náradie akémukoľvek autorizovanému zástupcovi servisu Black & Decker, ktorý náradie odoberie a zaistí jeho recykláciu.

Miesto Vášho najbližšieho autorizovaného servisu Black & Decker sa dozviete na adrese uvedenej na zadnej strane tohto návodu. Zoznam servisných stredísk Black & Decker a podrobnosti o popredajnom servise nájdete taktiež na internetovej adrese: www.2helpU.com

Akumulátory



Po ukončení životnosti akumulátorov ich zlikvidujte tak, aby nedošlo k ohrozeniu životného prostredia:

- ◆ Neskratujte svorky akumulátora.
- ◆ Pri likvidácii nevhadzujte nepotrebné akumulátory do ohňa, pretože by mohlo dôjsť k zraneniu osôb alebo k ich explózií.
- ◆ Nechajte náradie v chode, pokiaľ nedôjde k úplnému vybitiu akumulátora a potom ho vyberte z náradia.
- ◆ Akumulátor je možné recyklovať. Uložte akumulátor do vhodného obalu, aby ste zamedzili skratu kontaktov. Odovzdajte akumulátor zástupcovi autorizovaného servisu alebo v miestnej zberni.

Technické údaje

KC460LN (H1)	
Napätie	V 3,6
Otáčky naprázdno	min ⁻¹ 180
Medzný moment	Nm 7,7
Maximálny uťahovací moment	Nm 3,2
Držiak nástrojov	mm 6,35 (1/4")
Hmotnosť	kg 0,4

Akumulátory

Napätie	V 3,6
Typ akumulátora	Li-Ion
Kapacita	Ah 1,1/1,3

Nabíjačka 905450XX

Vstupné napätie	V _{AC} 230
Výstupné napätie	V _{DC} 9
Prúd	mA 100
Približný čas nabíjania	hod 12
Hmotnosť	kg 0,4

Hladina akustického tlaku podľa normy EN 60745:

Akustický tlak (L_{pA}) 58,9 dB(A),
odchýlka (K) 3 dB(A)

Akustický výkon (L_{WA}) 69,9 dB(A),
odchýlka (K) 3 dB(A)

Celková úroveň vibrácií (priestorový vektorový súčet) podľa normy EN 60745:

Vrtanie do kovu ($a_{h,D}$) < 0,979 m/s²,
odchýlka (K) 1,5 m/s²

Skrutkovanie bez rázov ($a_{h,S}$) 0,247 m/s²,
odchýlka (K) 1,5 m/s²

ES Vyhlásenie o zhode v rámci EÚ

SMERNICA PRE STROJOVÉ ZARIADENIA



KC460LN H1

Spoločnosť Black & Decker vyhlasuje, že tieto produkty popisované v technických údajoch spĺňajú požiadavky nasledujúcich noriem: 2006/42/EC, EN 60745-1, EN 60745-2-2

Tieto výrobky spĺňajú tiež požiadavky smerníc 2004/108/EC a 2011/65/EU. Ak chcete získať ďalšie informácie, kontaktujte, prosím, spoločnosť Stanley Europe na tejto adrese alebo na adresách, ktoré sú uvedené na konci tohto návodu.

Ak chcete získať ďalšie informácie, kontaktujte, prosím, spoločnosť Black & Decker na tejto adrese alebo na adresách, ktoré sú uvedené na konci tohto návodu.

Nižšie podpísaná osoba je zodpovedná za zostavenie technických údajov a vydáva toto vyhlásenie v zastúpení spoločnosti Black & Decker.

Kevin Hewitt
Viceprezident pre
spotrebiteľskú techniku
Black & Decker Europe, 210 Bath Road, Slough,
Berkshire, SL1 3YD
Veľká Británia
15/08/2012

Záruka

Spoločnosť Black & Decker je presvedčená o kvalite svojich výrobkov a ponúka mimoriadnu záruku. Táto záruka je ponúkaná v prospech zákazníka a nijako neovplyvní jeho zákonné záručné práva. Táto záruka platí vo všetkých členských štátoch EÚ a Európskej zóny voľného obchodu EFTA.

Ak sa objavia na výrobku Black & Decker v priebehu 24 mesiacov od kúpy akékoľvek materiálové či výrobné chyby, spoločnosť Black & Decker garantuje v snahe o minimalizovanie Vašich starostí bezplatnú výmenu chybných dielov, opravu alebo výmenu celého výrobku za nižšie uvedených podmienok:

- ◆ Výrobok sa nepoužíval na obchodné alebo profesionálne účely a nedochádzalo k jeho prenájmu.
- ◆ Výrobok nebol vystavený nesprávnemu použitiu a nebola zanedbaná jeho predpísaná údržba.
- ◆ Výrobok nebol poškodený cudzím zavinením.
- ◆ Opravy nevykonávali iné osoby, než autorizovaní opravári alebo mechanici autorizovaného servisu Black & Decker.

Ak požadujete záručnú opravu, budete musieť predajcovi alebo zástupcovi autorizovaného servisu predložiť doklad o kúpe výrobku. Miesto najbližšieho autorizovaného servisu Black & Decker nájdete na príslušnej adrese uvedenej v tomto návode. Zoznam autorizovaných servisov Black & Decker a podrobnosti o popredajnom servise nájdete aj na internetovej adrese: **www.2helpU.com**

Navštívte, prosím, našu internetovú stránku **www.blackanddecker.sk**, aby ste mohli zaregistrovať Váš nový výrobok Black & Decker a kde budete informovaní o našich nových výrobkoch a špeciálnych ponukách. Ďalšie informácie o značke Black & Decker a o celom rade našich ďalších výrobkov sú k dispozícii na adrese **www.blackanddecker.sk**

Назначение

Ваш аккумуляторный винтовёрт Black & Decker предназначен для заворачивания винтов, шурупов и сверления отверстий в древесине, металле и пластмассе. Данный инструмент предназначен только для применения в условиях домашнего использования.

Правила безопасности

Общие правила безопасности при работе с электроинструментами



Внимание! Перед началом работы внимательно прочтите все инструкции по безопасности и руководство по эксплуатации. Несоблюдение всех перечисленных ниже инструкций и правил безопасности может привести к поражению электрическим током, возникновению пожара и/или получению серьезной травмы.

Сохраните все инструкции по безопасности и руководство по эксплуатации для их дальнейшего использования. Термин „Электроинструмент“ во всех приведенных ниже указаниях относится к Вашему сетевому (с кабелем) электроинструменту или аккумуляторному (беспроводному) электроинструменту.

1. Безопасность рабочего места

- a. Содержите рабочее место в чистоте и обеспечьте хорошее освещение. Беспорядок на рабочем месте и его плохое освещение могут привести к несчастному случаю.
- b. Не используйте электроинструмент, если есть опасность возгорания или взрыва, например, вблизи легко воспламеняющихся жидкостей, газов или пыли. В процессе работы электроинструмент создает искровые разряды, которые могут воспламенить пыль или горючие пары.
- c. Во время работы с электроинструментом не подпускайте близко детей или посторонних лиц. Отвлечение внимания может вызвать у Вас потерю контроля над рабочим процессом.

2. Электробезопасность

- a. Вилка кабеля электроинструмента должна соответствовать штепсельной розетке. Ни в коем случае не видоизменяйте вилку электрического кабеля. Не используйте соединительные штепсель-переходники, если в силовом кабеле

электроинструмента есть провод заземления. Использование оригинальной вилки кабеля и соответствующей ей штепсельной розетки уменьшает риск поражения электрическим током.

- b. Во время работы с электроинструментом избегайте физического контакта с заземленными объектами, такими как трубопроводы, радиаторы отопления, электроплиты и холодильники. Риск поражения электрическим током увеличивается, если Ваше тело заземлено.
 - c. Не используйте электроинструмент под дождем или во влажной среде. Попадание воды в электроинструмент увеличивает риск поражения электрическим током.
 - d. Используйте электрический кабель в установленном режиме. Ни в коем случае не используйте кабель для переноски электроинструмента или для вытягивания его вилки из штепсельной розетки. Не подвергайте электрический кабель воздействию высоких температур и смазочных веществ; держите его в стороне от острых кромок и движущихся частей электроинструмента. Поврежденный или запутанный кабель увеличивает риск поражения электрическим током.
 - e. При работе с электроинструментом на открытом воздухе используйте удлинительный кабель, предназначенный для наружных работ. Использование кабеля, пригодного для работы на открытом воздухе, снижает риск поражения электрическим током.
 - f. При необходимости работы с электроинструментом во влажной среде используйте источник питания, оборудованный устройством защитного отключения (УЗО). Использование УЗО снижает риск поражения электрическим током.
- ### 3. Личная безопасность
- a. При работе с электроинструментами будьте внимательны, следите за тем, что Вы делаете, и руководствуйтесь здравым смыслом. Не используйте электроинструмент, если Вы устали, а также находясь под действием алкоголя или понижающих реакцию лекарственных препаратов и других средств. Малейшая неосторожность при работе с электроинструментами может привести к серьезной травме.
 - b. При работе используйте средства индивидуальной защиты. Всегда на-

давайте защитные очки. Своевременное использование защитного снаряжения, а именно: пылезащитной маски, ботинок на нескользящей подошве, защитного шлема или противושумных наушников, значительно снизит риск получения травмы.

с. Не допускайте случайного запуска. Перед тем, как подключить электроинструмент к сети и/или аккумулятору, поднять или перенести его, убедитесь, что выключатель находится в положении “выключено”. Не переносите электроинструмент с нажатой кнопкой выключателя и не подключайте к сетевой розетке электроинструмент, выключатель которого установлен в положение “включено”. Это может привести к несчастному случаю.

d. Перед включением электроинструмента снимите с него все регулировочные или гаечные ключи. Регулировочный или гаечный ключ, оставленный закрепленным на вращающейся части электроинструмента, может стать причиной тяжелой травмы.

e. Не допускайте перенапряжения. Всегда твердо стойте на ногах, сохраняя равновесие. Это позволит Вам не потерять контроль при работе с электроинструментом в непредвиденной ситуации.

f. Одевайтесь соответствующим образом. Во время работы не надевайте свободную одежду или украшения. Следите за тем, чтобы Ваши волосы, одежда или перчатки находились в постоянном отдалении от движущихся частей инструмента. Свободная одежда, украшения или длинные волосы могут попасть в движущиеся части инструмента.

g. Если электроинструмент снабжен устройством сбора и удаления пыли, убедитесь, что данное устройство подключено и используется надлежащим образом. Использование устройства пылеудаления значительно снижает риск возникновения несчастного случая, связанного с запыленностью рабочего пространства.

4. Использование электроинструментов и технический уход

a. Не перегружайте электроинструмент. Используйте Ваш инструмент по назначению. Электроинструмент работает надежно и безопасно только при соблюдении параметров, указанных в его технических характеристиках.

b. Не используйте электроинструмент, если его выключатель не устанавливается в положение включения или выключения. Электроинструмент с неисправным выключателем представляет опасность и подлежит ремонту.

с. Отключайте электроинструмент от сетевой розетки и/или извлекайте аккумуляторную батарею перед регулированием, заменой принадлежностей или при хранении электроинструмента. Такие меры предосторожности снижают риск случайного включения электроинструмента.

d. Храните неиспользуемые электроинструменты в недоступном для детей месте и не позволяйте лицам, не знакомым с электроинструментом или данными инструкциями, работать с электроинструментом. Электроинструменты представляют опасность в руках неопытных пользователей.

e. Регулярно проверяйте исправность электроинструмента. Проверяйте точность совмещения и легкость перемещения подвижных частей, целостность деталей и любых других элементов электроинструмента, воздействующих на его работу. Не используйте неисправный электроинструмент, пока он не будет полностью отремонтирован. Большинство несчастных случаев являются следствием недостаточного технического ухода за электроинструментом.

f. Следите за остротой заточки и чистой режущих принадлежностей. Принадлежности с острыми кромками позволяют избежать заклинивания и делают работу менее утомительной.

g. Используйте электроинструмент, аксессуары и насадки в соответствии с данным Руководством и с учетом рабочих условий и характера будущей работы. Использование электроинструмента не по назначению может создать опасную ситуацию.

5. Использование аккумуляторных инструментов и технический уход

a. Заряжайте аккумулятор зарядным устройством указанной производителем марки. Зарядное устройство, которое подходит к одному типу аккумулятора, может создать риск возгорания в случае его использования с аккумулятором другого типа.

- b. **Используйте электроинструменты только с предназначенными для них аккумуляторами.** Использование аккумулятора какой-либо другой марки может привести к возникновению пожара и получению травм.
 - c. **Держите неиспользуемый аккумулятор подальше от металлических предметов, таких как скрепки, монеты, ключи, гвозди, шурупы, и других мелких металлических предметов, которые могут замкнуть контакты аккумулятора.** Короткое замыкание контактов аккумулятора может привести к получению ожогов или возникновению пожара.
 - d. **В критических ситуациях из аккумулятора может вытечь жидкость (электролит); избегайте контакта с кожей. Если жидкость все же попала на кожу, промойте ее проточной водой. Если жидкость попала в глаза, обратитесь за медицинской помощью.** Вытекающая из аккумулятора жидкость вызывает раздражение или ожоги.
- 6. Техническое обслуживание**
- a. **Ремонт Вашего электроинструмента должен производиться только квалифицированными специалистами с использованием идентичных запасных частей.** Это обеспечит безопасность Вашего электроинструмента в дальнейшей эксплуатации.

Дополнительные меры безопасности при работе с электроинструментами



Внимание! Дополнительные меры безопасности при работе винтовертами и ударными гайковертами.

- ◆ **Держите электроинструмент за изолированные поверхности при работе в местах, где крепежная деталь может задеть скрытую проводку или кабель подключения к электросети.** Контакт крепежной детали с находящимся под напряжением проводом делает не покрытые изоляцией металлические части электроинструмента “живыми”, что создает опасность поражения электрическим током.
- ◆ **При работе ударными гайковертами всегда надевайте противозумные наушники.** Воздействие шума может привести к потере слуха.
- ◆ **При работе пользуйтесь дополнительными рукоятками, прилагающимися**

к инструменту. Потеря контроля над инструментом может привести к тяжелой травме.

- ◆ **Используйте тиски или другие приспособления для фиксации обрабатываемой детали, устанавливая их только на неподвижной поверхности.** Если держать обрабатываемую деталь руками или с упором в собственное тело, то можно потерять контроль над инструментом или обрабатываемой деталью.
- ◆ **Прежде чем начать заворачивание винтов и шурупов в стенах, полах или потолках, проверьте наличие электропроводки и трубопроводов.**
- ◆ **Использование инструмента физически или умственно неполноценными людьми, а также детьми и неопытными лицами допускается только под контролем ответственного за их безопасность лица.** Не позволяйте детям играть с электроинструментом.
- ◆ **Назначение инструмента описывается в данном руководстве по эксплуатации.** Используйте все насадки и приспособления и работайте данным инструментом строго в соответствии с данным руководством. Использование не по назначению может привести к серьезной травме и повреждению инструмента или обрабатываемого изделия.

Безопасность окружающих

- ◆ **Данное устройство не предназначено для использования людьми (включая детей) с ограниченными физическими, психическими или умственными возможностями или не имеющих необходимого опыта и знаний, кроме как под присмотром и с помощью человека, умеющего обращаться с данным устройством и отвечающего за безопасность.**
- ◆ **Следите за тем, чтобы дети не играли с данным устройством.**

Остаточные риски

Помимо тех рисков, что указаны в технике безопасности при использовании инструмента могут возникнуть дополнительные остаточные риски. Это может произойти при неправильной эксплуатации или продолжительном использовании инструмента и т.п. Несмотря на соблюдение соответствующих инструкций по технике безопасности и использование предохранительных устройств, некоторые остаточные риски невозможно полностью исключить. Сюда относятся:

- ◆ Травмы, вызванные прикосновением к вращающимся/движущимся деталям.
- ◆ Травмы, которые можно получить при замене деталей, ножей или аксессуаров.
- ◆ Травмы, которые происходят при продолжительном использовании инструментом. При использовании инструмента в течение продолжительного периода времени, регулярно делайте перерывы в работе.
- ◆ Ухудшение слуха.
- ◆ Нанесения вреда здоровью в результате вдыхания пыли, которая образуется при использовании Вашего инструмента (например: при работе с деревом, особенно с дубом, березой и МДФ.)

Вибрация

Значения уровня вибрации, указанные в технических характеристиках инструмента и декларации соответствия, были измерены в соответствии со стандартным методом определения вибрационного воздействия согласно EN60745 и могут использоваться при сравнении характеристик различных инструментов. Приведенные значения уровня вибрации могут также использоваться для предварительной оценки величины вибрационного воздействия.

Внимание! Значения вибрационного воздействия при работе с электроинструментом зависят от вида работ, выполняемых данным инструментом, и могут отличаться от заявленных значений. Уровень вибрации может превышать заявленное значение.

При оценке степени вибрационного воздействия для определения необходимых защитных мер (2002/44/ЕС) для людей, использующих в процессе работы электроинструменты, необходимо принимать во внимание действительные условия использования электроинструмента, учитывая все составляющие рабочего цикла, в том числе время, когда инструмент находится в выключенном состоянии, и время, когда он работает без нагрузки, а также время его запуска и отключения.

Маркировка инструмента

На инструменте имеются следующие знаки:



Внимание! Полное ознакомление с руководством по эксплуатации снизит риск получения травмы.

Дополнительные меры безопасности при работе с аккумуляторами и зарядными устройствами

Аккумуляторы

- ◆ Ни в коем случае не пытайтесь разобрать аккумулятор.
- ◆ Не подвергайте аккумулятор воздействию влаги.
- ◆ Не подвергайте аккумулятор воздействию тепла.
- ◆ Не храните в местах, где температура может превысить 40 °С.
- ◆ Заряжайте аккумулятор только при температуре окружающей среды в пределах 10 °С - 40 °С.
- ◆ Заряжайте только зарядными устройствами, входящими в комплект поставки электроинструмента.
- ◆ Утилизируйте отработанные аккумуляторы, следуя инструкциям раздела „Защита окружающей среды“.
- ◆ Не повредите/не деформируйте аккумуляторную батарею путем прокалывания или удара, поскольку это может создать риск получения травмы или возникновения пожара.
- ◆ Не пытайтесь заряжать поврежденные аккумуляторы.
- ◆ В критических ситуациях из аккумулятора может вытечь жидкость (электролит). Если Вы заметили жидкость на аккумуляторе, осторожно вытрите ее тканью. Избегайте контакта с кожей.
- ◆ При попадании жидкости на кожу или в глаза следуйте нижеизложенным инструкциям:

Внимание! Жидкость, вытекшая из аккумулятора, может нанести вред здоровью и повредить оборудование. Если жидкость попала на кожу, сразу же смойте ее водой. Если появится покраснение, боль или раздражения, немедленно обратитесь за медицинской помощью. При попадании электролита в глаза, немедленно смойте его водой и обратитесь за медицинской помощью.

Зарядные устройства

Ваше зарядное устройство было разработано для конкретного напряжения. Всегда проверяйте, соответствует ли напряжение, указанное на табличке с техническими параметрами, напряжению электросети.

Внимание! Ни в коем случае не пытайтесь заменить зарядный блок стандартным сетевым штепселем.

- ◆ Используйте Ваше зарядное устройство Black & Decker только для зарядки аккумулятора электроинструмента, в комплект поставки которого он входит. Другие аккумуляторы могут взорваться, что приведет к получению травмы или повреждению электроинструмента.
- ◆ Ни в коем случае не пытайтесь зарядить батарейки питания.
- ◆ Во избежание несчастного случая, замена поврежденного кабеля питания должна производиться только на заводе-изготовителе или в авторизованном сервисном центре Black & Decker.
- ◆ Немедленно заменяйте поврежденный сетевой кабель.
- ◆ Не подвергайте зарядное устройство воздействию влаги.
- ◆ Не разбирайте зарядное устройство.
- ◆ Не касайтесь токопроводящими предметами контактов зарядного устройства.
- ◆ Зарядка инструмента/аккумулятора должна производиться в хорошо проветриваемом месте.



Зарядное устройство предназначено только для использования внутри помещений.



Перед началом работы внимательно прочтите руководство по эксплуатации.



Бесперебойный разделительный трансформатор. Питающая сеть электрически изолирована от выхода трансформатора.



Зарядное устройство автоматически выключается при высокой температуре окружающей среды. Зарядное устройство становится неработоспособным. Отсоедините зарядное устройство от электросети и отремонтируйте в авторизованном сервисном центре Black & Decker.

Электробезопасность



Ваше зарядное устройство защищено двойной изоляцией, исключающей потребность в заземляющем проводе. Всегда проверяйте, соответствует ли напряжение, указанное на табличке с техническими параметрами, напряжение электросети.

- ◆ Во избежание несчастного случая, замена поврежденного кабеля питания должна производиться только на заводе-изготовителе или в авторизованном сервисном центре Black & Decker.
- ◆ **Внимание!** Ни в коем случае не пытайтесь заменить зарядный блок стандартным сетевым штепселем.

Составные части

1. Клавиша пускового выключателя
2. Переключатель направления вращения (реверса)
3. Держатель насадок
4. Светодиодная подсветка

Рис. А

5. Штепсельная вилка зарядного устройства
6. Штекер зарядного устройства

Сборка

Установка и снятие сверла или отверточной насадки (Рис. В)

Для данного электроинструмента подходят отверточные насадки и сверла с шестигранным хвостовиком 6,35 мм (1/4").

- ◆ Для установки насадки, вставьте ее в держатель (3).
- ◆ Для снятия насадки, потяните за нее и извлеките из держателя (3).

Эксплуатация

Внимание! Не форсируйте рабочий процесс. Избегайте перегрузки электроинструмента.

- ◆ Перед первым использованием инструмента необходимо зарядить аккумулятор в течение не менее 9 часов.

Зарядка аккумулятора (Рис. С)

- ◆ Вставьте штекер зарядного устройства (6) в предназначенное для него гнездо (7).
- ◆ Вставьте штепсельную вилку зарядного устройства (5) в розетку электросети.
- ◆ Оставьте инструмент подключенным к зарядному устройству в течение 17 часов.

В процессе зарядки зарядное устройство может слегка гудеть и нагреваться. Это нормально и не указывает на наличие какой-либо проблемы.

Внимание! Не заряжайте аккумулятор, если температура окружающей среды ниже 10 °С и выше 40 °С.

Выбор направления вращения (Рис. D)

Для сверления и заворачивания шурупов используйте вращение вперед. Для вывинчивания шурупов или извлечения заклинившего сверла используйте обратное вращение.

- ◆ Для установки вращения вперед сдвиньте переключатель реверса (2) вперед.
- ◆ Для установки обратного вращения сдвиньте переключатель реверса (2) назад.
- ◆ Для блокировки электроинструмента, установите переключатель реверса в среднее положение.

Сверление/Заворачивание шурупов и винтов

- ◆ Нажав на кнопку переключателя реверса (2), выберите нужное направление вращения.
- ◆ Чтобы включить инструмент, нажмите на клавишу пускового включателя (1).
- ◆ Чтобы выключить инструмент, отпустите клавишу пускового включателя (1).

Светодиодная подсветка

При нажатии на клавишу автоматически загорается светодиодная подсветка (4). Подсветка также загорится при каждом нажатии на клавишу и при установке переключателя реверса (2) в положение блокировки (среднее положение).

Советы по оптимальному использованию

Заворачивание шурупов и винтов

- ◆ Всегда используйте насадку соответствующего типа и размера.
- ◆ Если шурупы заворачиваются с трудом, попробуйте нанести небольшое количество моющего средства или мыла в качестве смазки.
- ◆ Используйте блокировку шпинделя для заворачивания с усилием винтов или отвинчивания их, в случае сильной затяжки.
- ◆ Всегда держите электроинструмент и отверточную насадку на одной оси с шурупом.
- ◆ При заворачивании в древесину, просверлите направляющее отверстие на глубину, равную длине шурупа. Направляющее отверстие точно направляет шуруп и предотвращает раскол и деформацию древесины. Оптимальный диаметр отверстия указан в приведенной ниже таблице.
- ◆ При заворачивании в древесину твердых пород, просверлите направляющее отверстие на глубину, равную половине длины шурупа. Оптимальный диаметр рассверливаемого отверстия указан в приведенной ниже таблице.

Размер шурупа	Диаметр направляющего отв-я (мягкая древесина)	Диаметр направляющего отв-я (твердая древесина)	Диаметр рассверливаемого отверстия
No. 6 (3,5мм)	2,0мм	2,5мм	3,6мм
No. 8 (4мм)	2,5мм	3,0мм	4,5мм
No. 10 (5мм)	3,0мм	3,5мм	5,0мм

Сверление

- ◆ Всегда слегка надавливайте на электроинструмент в направлении оси сверла.
- ◆ Уменьшайте давление на электроинструмент непосредственно перед тем, как сверло выйдет с другой стороны обрабатываемой детали.
- ◆ Используйте деревянные бруски в качестве подложки для хрупких заготовок, которые могут расщепиться при сверлении.
- ◆ Для достижения максимальной точности сверления отмечайте центр отверстия при помощи кернера.

Дополнительные принадлежности

Производительность Вашего электроинструмента напрямую зависит от используемых Вами принадлежностей. Принадлежности Black & Decker и Piranha изготовлены по самым высоким стандартам качества и гарантируют высокую эффективность при работе с Вашим электроинструментом. Используя эти принадлежности, Вы достигнете наилучших результатов в работе.

Данный инструмент использует отверточные насадки с шестигранными хвостовиками диаметром 6,35 мм (1/4"). Принадлежности Piranha Super-Lok специально разработаны для использования с данным инструментом.

Техническое обслуживание

Ваш электрический/аккумуляторный инструмент Black & Decker рассчитан на работу в течение продолжительного периода времени при минимальном техническом обслуживании. Срок службы инструмента и его надежность увеличивается при правильном уходе и регулярной чистке. Ваше зарядное устройство не требует технического обслуживания, только подлежит регулярной чистке.

Внимание! Перед любыми видами работ по техническому обслуживанию выключайте инструмент и вынимайте вилку кабеля из штепсельной розетки или, если с инструментом используется съемный аккумулятор, вынимайте из него аккумулятор. Если аккумулятор встро-

енный, полностью разрядите его. Отключайте зарядное устройство перед чисткой.

- ◆ Регулярно очищайте вентиляционные отверстия электроинструмента и зарядного устройства мягкой щеткой или сухой тканью.
- ◆ Регулярно очищайте корпус двигателя влажной тканью. Не используйте абразивные чистящие средства, а также чистящие средства на основе растворителей.
- ◆ Регулярно открывайте патрон и удаляйте из него всю накопившуюся пыль и грязь (если таковые имеются).

Защита окружающей среды



Раздельный сбор. Данное изделие нельзя утилизировать вместе с обычными бытовыми отходами.

Если однажды Вы захотите заменить Ваш электроинструмент Black & Decker или Вы больше в нем не нуждаетесь, не выбрасывайте его вместе с бытовыми отходами. Отнесите изделие в специальный приемный пункт.



Раздельный сбор изделий с истекшим сроком службы и их упаковок позволяет пускать их в переработку и повторно использовать. Использование переработанных материалов помогает защищать окружающую среду от загрязнения и снижает расход сырьевых материалов.

Местное законодательство может обеспечить сбор старых электроинструментов отдельно от бытового мусора на муниципальных свалках отходов, или Вы можете сдавать их в торговом предприятии при покупке нового изделия.

Фирма Black & Decker обеспечивает прием и переработку отслуживших свой срок изделий Black & Decker. Чтобы воспользоваться этой услугой, Вы можете сдать Ваше изделие в любой авторизованный сервисный центр, который собирает их по нашему поручению.

Вы можете узнать место нахождения Вашего ближайшего авторизованного сервисного центра, обратившись в Ваш местный офис Black & Decker по адресу, указанному в данном руководстве по эксплуатации. Кроме того, список авторизованных сервисных центров Black & Decker и полную информацию о нашем послепродажном обслуживании и контактах Вы можете найти в интернете по адресу: www.2helpU.com.

Аккумуляторы



По окончании срока службы утилизируйте отработанный аккумулятор безопасным для окружающей среды способом:

- ◆ Не допускайте короткого замыкания контактов аккумулятора.
- ◆ Не бросайте аккумулятор в огонь - это может послужить причиной взрыва.
- ◆ Полностью разрядите аккумулятор, затем снимите его с электроинструмента.
- ◆ Аккумуляторы подлежат переработке. Поместите аккумулятор в соответствующую упаковку так, чтобы не допустить короткого замыкания его контактов. Сдайте их в любой авторизованный сервисный центр или в местный пункт переработки.

Технические характеристики

KC460LN (H1)	
Напряжение питания	В пост. тока 3,6
Число оборотов х.х.	об/мин. 180
Тяжелый опрокидывающий момент	Нм 7,7
Макс. крутящий момент	Нм 3,2
Диаметр держателя насадок	мм 6,35 (1/4")
Вес	кг 0,4

Аккумулятор

Напряжение питания	В 3,6
Тип аккумулятора	Li-Ion
Емкость	Ач 1,1/1,3

Зарядное устройство 905450XX

Входное напряжение	Вперем. тока 230
Выходное напряжение	Впост. тока 9
Ток	mA 100
Приблизительное время зарядки	ч 12
Вес	кг 0,4

Уровень звукового давления в соответствии с EN 60745:

- Звуковое давление (L_{pA}) 58,9 дБ(A), погрешность (K) 3 дБ(A)
- Акустическая мощность (L_{WA}) 69,9 дБ(A), погрешность (K) 3 дБ(A)

Сумма величин вибрации (сумма векторов по трем осям), измеренных в соответствии со стандартом EN 60745:

Сверление в металле ($a_{h,D}$) 0,979 м/с²,
погрешность (K) 1,5 м/с²

Заворачивание без удара ($a_{h,s}$) 0,247 м/с²,
погрешность (K) 1,5 м/с²

Декларация соответствия ЕС

ДИРЕКТИВА ПО МЕХАНИЧЕСКОМУ
ОБОРУДОВАНИЮ



КС460LN H1

Black & Decker заявляет, что продукты, обозначенные в разделе «Технические характеристики», полностью соответствуют стандартам: 2006/42/ЕС, EN 60745-1, EN 60745-2-2

Данные продукты также соответствуют Директивам 2004/108/ЕС и 2011/65/ЕU. За дополнительной информацией обращайтесь в Stanley Europe по указанному ниже адресу или по адресу, указанному на последней странице руководства.

За дополнительной информацией обращайтесь в Black & Decker по указанному ниже адресу или по адресу, указанному на последней странице руководства.

Нижеподписавшееся лицо полностью отвечает за соответствие технических данных и делает это заявление от имени фирмы Black & Decker.

Кевин Хьюитт (Kevin Hewitt)

Вице-президент отдела мирового проектирования

Black & Decker Europe, 210 Bath Road, Slough,
Berkshire, SL1 3YD
United Kingdom
15/08/2012

БЛЭК ЭНД ДЕККЕР

гарантийные условия

Уважаемый покупатель!

1. Поздравляем Вас с покупкой высококачественного изделия BLACK & DECKER и выражаем признательность за Ваш выбор.
- 1.1. Надежная работа данного изделия в течение всего срока эксплуатации - предмет особой заботы наших сервисных служб. В случае возникновения каких-либо проблем в процессе эксплуатации изделия рекомендуем Вам обращаться только в авторизованные сервисные организации, адреса и телефоны которых Вы сможете найти в Гарантийном талоне или узнать в магазине. Наши сервисные станции - это не только квалифицированный ремонт, но и широкий выбор запчастей и принадлежностей.
- 1.2. При покупке изделия требуйте проверки его комплектности и исправности в Вашем присутствии, инструкцию по эксплуатации и заполненный Гарантийный талон на русском языке. При отсутствии у Вас правильно заполненного Гарантийного талона мы будем вынуждены отклонить Ваши претензии по качеству данного изделия.
- 1.3. Во избежание недоразумений убедительно просим Вас перед началом работы с изделием внимательно ознакомиться с инструкцией по его эксплуатации.
- 1.4. Обращаем Ваше внимание на исключительно бытовое назначение данного изделия.
2. Правовой основой настоящих гарантийных условий является действующее Законодательство и, в частности, Закон "О защите прав потребителей".
3. Гарантийный срок на данное изделие составляет 24 месяца и исчисляется со дня продажи через розничную торговую сеть. В случае устранения недостатков изделия, гарантийный срок продлевается на период, в течение которого оно не использовалось.
4. Срок службы изделия - 5 лет (минимальный, установленный в соответствии с Законом "О защите прав потребителей").
5. Наши гарантийные обязательства распространяются только на неисправности, выявленные в течение гарантийного срока и обусловленные производственными и конструктивными факторами.
6. Гарантийные обязательства не распространяются:
 - 6.1. На неисправности изделия, возникшие в результате:
 - 6.1.1. Несоблюдения пользователем предписаний инструкции по эксплуатации изделия.
 - 6.1.2. Механического повреждения, вызванного внешним ударным или любым иным воздействием.

- 6.1.3. Исползования изделия в профессиональных целях и объемах, в коммерческих целях.
- 6.1.4. Применения изделия не по назначению.
- 6.1.5. Стихийного бедствия.
- 6.1.6. Неблагоприятных атмосферных и иных внешних воздействий на изделие, таких как дождь, снег, повышенная влажность, нагрев, агрессивные среды, несоответствие параметров питающей электросети указанным на инструменте.
- 6.1.7. Исползования принадлежностей, расходных материалов и запчастей, не рекомендованных или не одобренных производителем.
- 6.1.8. Проникновения внутрь изделия посторонних предметов, насекомых, материалов или веществ, не являющихся отходами, сопровождающими применение по назначению, такими как стружка опилки и пр. .
- 6.2. На инструменты, подвергавшиеся вскрытию, ремонту или модификации вне уполномоченной сервисной станции.
- 6.3. На принадлежности, запчасти, вышедшие из строя вследствие нормального износа, и расходные материалы, такие как приводные ремни, угольные щетки, аккумуляторные батареи, ножи, пилки, абразивы, пыльные диски, сверла, буры и т. п. .
- 6.4. На неисправности, возникшие в результате перегрузки инструмента, повлекшей выход из строя электродвигателя или других узлов и деталей. К безусловным признакам перегрузки изделия относятся, помимо прочих: появление цветов побежалости, деформация или оплавление деталей и узлов изделия, потемнение или обугливание изоляции проводов электродвигателя под воздействием высокой температуры.



Блэк энд Деккер Гмбх
Блэк энд Деккер Штрассе, 40
65510 Идштайн, Германия

Область застосування

Ваша компактна викрутка виробництва компанії Black & Decker розроблена для використання в якості викрутки та для створення отворів в дереві, металі та пластику. Цей інструмент призначений лише для побутового використання.

Інструкції з техніки безпеки

Загальні правила безпеки для електричного інструменту



Попередження! Перед використанням інструменту уважно прочитайте всі попередження та інструкції. Невиконання попереджень та інструкцій, що наведені нижче, може призвести до ураження електричним струмом, пожежі та/або серйозних травм.

Зберігайте це керівництво для отримання інформації в подальшому. Термін „електричний інструмент” в усіх попередженнях, перерахованих нижче, стосується використовуваних Вами інструментів, що працюють від мережі енергоспоживання (з використанням електричного кабелю) або акумуляторів (без кабелю).

1. Безпека робочої зони

- a. **Тримайте робочу зону чистою та добре освітленою.** Неупорядковані та темні робочі зони збільшують ймовірність нещасного випадку.
- b. **Не використовуйте електричні інструменти у вибухонебезпечній атмосфері, наприклад, в присутності вогненебезпечних рідин, газів та пилу.** Електричні інструменти створюють іскри, що можуть запалити пил або випаровування.
- c. **При використанні інструменти діти та сторонні люди не повинні знаходитися в робочій зоні.** Відвернення уваги може спричинити втрату контролю.

2. Електрична безпека

- a. **Вилка електричного інструменту має відповідати розетці. Ніколи ніяким чином не змінюйте вилку інструменту. Не використовуйте адаптерів із заземленими інструментами.** Немодифіковані вилки та розетки, що підходять до них, зменшують ризик ураження електричним струмом.
- b. **Уникайте контакту тіла з заземленими поверхнями, такими як труби, радіатори, плити та холодильники.** Виникає додатковий ризик ураження електричним струмом, коли Ваше тіло заземлене.

- c. **Не залишайте електричні інструменти під дощем або в умовах підвищеної вологості.** Вода, що потрапляє в електричний інструмент, підвищує ризик ураження електричним струмом.
- d. **Не використовуйте шнур не за призначенням. Ніколи не використовуйте електричний шнур для перенесення, перетягування або відключення електричного інструменту.** Тримайте шнур подалі від високих температур, мастила, гострих предметів та рухомих деталей. Пошкоджений або заплутаний шнур збільшує ризик ураження електричним струмом.
- e. **При використанні електричного інструменту на вулиці, використовуйте подовжуючий шнур, що підходить для використання на вулиці.** Використання шнуру для вулиці знижує ризик ураження електричним струмом.
- f. **Якщо неможливо уникнути використання електричного інструменту в умовах підвищеної вологості, використовуйте живлення захищене пристроєм залишкового струму (RCD).** Використання RCD знижує ризик ураження електричним струмом.

3. Особиста безпека

- a. **Будьте в стані готовності, дивіться, що ви робите, та використовуйте загальний глузд, коли ви працюєте з електричним інструментом. Не використовуйте електричний інструмент, коли Ви втомлені або знаходитесь під впливом наркотиків, алкоголю або медикаментів.** Втрата уваги при роботі з електричними інструментами може призвести до серйозних травм.
- b. **Використовуйте особисті засоби безпеки. Завжди використовуйте засоби захисту очей.** Засоби безпеки, такі як протипилова маска, неслизькі безпечні чоботи, твердий капелюх та засоби захисту слухового апарату, які використовані для відповідних умов, зменшують ймовірність особистих травм.
- c. **Уникнення випадкового запуску. Переконайтесь, що вимикач знаходиться в позиції Вилк. перед підключенням до джерела живлення та/або акумулятора, переміщенням або перенесенням пристрою.** Перенос електричних інструментів, не відпускаючи пальця з вимикача, або ввімкнення електричного інструменту з перемикачем в позиції "Ввімкнено" може призвести до нещасного випадку.

- d. **Зніміть всі налаштувальні ключі або гайкові ключі перед тим, як вмикати електричний інструмент.** Налаштувальний або гайковий ключ, що залишився прикріпленим до деталі інструменту, що обертається, може призвести до травми.
 - e. **Не перенапружуйтеся. Завжди підтримуйте правильну постановку ніг та рівновагу.** Це дозволяє тримати електричний інструмент під кращим контролем в несподіваних ситуаціях.
 - f. **Вдягайтеся відповідним чином. Не вдягайте вільний одяг чи прикраси. Тримайте ваше волосся, одяг та рукавички подалі від рухомих деталей.** Вільний одяг, прикраси або довге волосся може зачепитися за рухомі деталі.
 - g. **Якщо передбачені пристрої для підключення до засобів виділення та збирання пилу, переконайтеся, що вони правильно підключені та використовуються.** Використання таких пристроїв зменшує ризик виникнення небезпечних ситуацій, що пов'язані з потраплянням пилу.
- 4. Використання та догляд за електричним інструментом**
- a. **Не використовуйте надмірні зусилля при роботі з інструментом. Використовуйте відповідний електричний інструмент для вашої задачі.** Правильно обраний інструмент виконає завдання краще та безпечніше за умов, для яких він був розроблений.
 - b. **Не використовуйте інструмент, вмикач якого не вмикає та не вимикає його.** Будь-який електричний інструмент, який не може управлятися вмикачем, є небезпечним і має бути відремонтований.
 - c. **Відключіть вилку від джерела живлення перед тим, як робити будь-які налаштування, зміни додаткового обладнання, чи збирання інструменту.** Ці профілактичні заходи зменшують ризик випадкового запуску електричного інструменту.
 - d. **Бережіть вимкнені електричні інструменти від дітей та не дозволяйте особам, що не знайомі з електричним інструментом або цими інструкціями використовувати електричний інструмент.** Електричні інструменти є небезпечними, якщо вони використовуються некваліфікованими користувачами.
 - e. **Технічне обслуговування електричних інструментів. Перевіряйте на відсутність вирівнювання або заїдання рухомих де-**
- талей, ушкоджених частин та інших умов, що можуть впливати на роботу електричного інструменту. Якщо є ушкодження, відремонтуйте електричний інструмент перед використанням.** Багато нещасних випадків є результатом того, що інструмент не пройшов відповідного технічного обслуговування.
 - f. **Тримайте ріжучі інструменти гострими та чистими.** Правильно доглянуті ріжучі інструменти з гострими ріжучими кромками мають меншу ймовірність заїдання, та ними легше керувати.
 - g. **Використовуйте електричний інструмент, додаткові інструменти та деталі інструменту тощо у відповідності до цих інструкцій та відповідно до даного типу механізованих інструментів, зважаючи на умови використання та роботу, яка має бути виконана.** Використання електричних інструментів не за призначенням може призвести до виникнення небезпечних ситуацій.
- 5. Використання та догляд за інструментом, що працює від акумулятора**
- a. **Заряджайте батарею лише за допомогою зарядного пристрою, що вказаний виробником.** Зарядний пристрій, що підходить до одного типу акумуляторів, може призвести до пожежі, коли використовується з іншим акумулятором.
 - b. **Використовуйте цей електричний інструмент лише зі спеціально розробленим акумулятором.** Використання інших акумуляторів може призвести до травм або пожежі.
 - c. **Коли акумулятори не використовуються, зберігайте їх подалі від металевих предметів, як скріпки, монети, ключі, цвяхи, гвинти або інші невеликі предмети, що можуть призвести до з'єднання двох терміналів.** Зімкнення терміналів акумулятора може призвести до вибуху або пожежі.
 - d. **Іноді рідина може витікати з акумулятора; уникайте контакту з нею. Якщо випадково трапиться так, що Ви доторкнетесь до неї, змийте її водою. Якщо ця рідина потрапить в очі, зверніться до лікаря.** Рідина, що витікає з батареї, може призвести до подразнень та опіків.
- 6. Обслуговування**
- a. **Надавайте Ваш електричний інструмент для обслуговування кваліфікованим спеціалістом з ремонту та використовуйте**

тільки ідентичні заміні деталі. Це забезпечить безпеку електричного пристрою, що обслуговується.

Додаткові правила безпеки для електричного інструменту



Попередження! Додаткові попередження щодо техніки безпеки для викруток та гайковертів

- ◆ **Тримайте електричні інструменти за ізолювану поверхню при виконанні операцій, при яких ріжуча поверхня може торкнутися схованих проводки або власного кабелю.** При контакті кріпильних пристроїв з дротом під напругою може виникнути напруга в інструменті, що може призвести до ураження оператора електричним струмом
- ◆ **Використовуйте засоби захисту органів слуху при роботі з ударним гайковертом.** Шум може викликати втрату слуху.
- ◆ **Використовуйте додаткові ручки, що надаються з інструментом.** Втрата контролю над інструментом може викликати травми.
- ◆ **Використовуйте затискач або інший спосіб закріплення деталі, що оброблюється, на стабільній платформі.** Утримування деталі рукою або притиснення її до тіла робить його нестійким та призводить до втрати контролю.
- ◆ **Перед свердлінням стін, підлоги та стелі переконайтесь, що в цьому місці не розташована електрична проводка та труби.** Цей інструмент не призначений для використання людьми (включаючи дітей) з недостатніми фізичними, сенсорними або розумовими можливостями, або з недостатнім досвідом або знаннями, за винятком ситуацій, коли вони працюють під контролем або отримали відповідні інструкції щодо використання пристрою від відповідального за їх безпеку. Діти повинні знаходитись під контролем, щоб гарантувати, що вони не будуть грати з пристроєм.
- ◆ **Використання за призначенням описане в цьому керівництві.** Використання аксесуарів або приладдя, або виконання будь-яких дій з інструментом, що суперечать рекомендаціям цього керівництва, може призвести до ризику травмування людини та/або пошкодження майна.

Безпека сторонніх людей

- ◆ Цей інструмент не призначений для використання особами (включаючи дітей) із

зниженими фізичними, сенсорними або розумовими можливостями, а також особами, які не мають досвіду та знань, за винятком випадків, коли вони працюють під наглядом або отримали відповідні інструкції щодо використання пристрою від особи, відповідальної за їх безпеку.

- ◆ Діти повинні знаходитись під контролем, щоб гарантувати, що вони не будуть грати з пристроєм.

Залишкові ризики.

При використанні інструменту можуть виникнути додаткові залишкові ризики, які можуть бути не внесені до попереджень щодо техніки безпеки цього керівництва. Ці ризики можуть виникнути як результат неправильного використання, тривалого використання, тощо.

Незважаючи на виконання всіх відповідних правил техніки безпеки та використання пристроїв безпеки, неможливо уникнути деяких залишкових ризиків. Сюди належать:

- ◆ **Травми через контакт з деталями, що рухаються/обертаються.**
- ◆ **Травми при заміні деталей, пильних полотен або аксесуарів.**
- ◆ **Травми через занадто тривале використання інструменту.** При використанні будь-якого інструменту протягом тривалого періоду часу не забувайте робити регулярні перерви.
- ◆ **Порушення слуху.**
- ◆ **Небезпека для здоров'я через вдихання пилу, що утворюється при використанні інструменту (наприклад, при роботі з деревом, особливо з дубом, березою та ДВП).**

Вібрація

Значення вібрації, вказані в технічних даних та в декларації про відповідність виміряні з дотриманням стандартних методів тестування, наданих в EN 60745, та їх можна використовувати для порівняння одного інструменту з іншим. Задекларовані значення вібрації можна також використовувати для попередньої оцінки впливу вібрації.

Попередження! Значення вібрації під час використання інструменту може відрізнятись від задекларованого в залежності від способів використання інструменту. Рівень вібрації може перевищувати вказані значення.

При оцінці впливу вібрації для визначення заходів безпеки за вимогами 2002/44/ЕС, щоб захистити людей, що регулярно використовують інструменти в роботі, необхідно враховувати реальні умови та способи використання інструменту, включаючи врахування всіх періодів робочого циклу, наприклад, часу, коли інструмент вимкнено та коли він знаходиться в режимі очікування, а також часу реальної роботи інструменту.

Написи на інструменті

На інструменті є наступні піктограми:



Попередження! Щоб зменшити ризик травм, користувач повинен прочитати керівництво з експлуатації.

Додаткові інструкції з техніки безпеки для батарей та зарядних пристроїв

Батареї

- ◆ Ніколи не намагайтесь відкривати батарею.
- ◆ Не піддавайте батареї впливу води.
- ◆ Ніколи не допускайте потрапляння батареї в умови дуже високої температури.
- ◆ Не зберігайте в місцях, де температура може перевищувати 40 °C.
- ◆ Заряджайте лише, коли температура навколишнього середовища становить 10 °C - 40 °C.
- ◆ Заряджайте лише, використовуючи зарядний пристрій, що надається з інструментом.
- ◆ При викиданні батарей виконуйте інструкції, наведені в розділі "Захист навколишнього середовища".
- ◆ Не пошкоджуйте та не деформуйте батареї шляхом проколу або удару, це може призвести до ризику травми та пожежі.
- ◆ Не заряджайте пошкоджені батареї.
- ◆ В екстремальних умовах може виникнути витікання батареї. Якщо Ви помітите на батареї рідину, витріть її обережно ганчіркою. Уникайте контакту зі шкірою.
- ◆ При потрапленні на шкіру або в очі виконуйте наступні інструкції.

Попередження! Рідина батареї може призвести до травми або пошкодження майна. У випадку потрапляння її на шкіру негайно промийте шкіру водою. При виникненні почервоніння, болю або подразнення зверніться до лікаря. У випадку потрапляння в очі негайно промийте великою кількістю чистої води та зверніться по медичну допомогу.

Зарядні пристрої

Ваш зарядний пристрій було розроблено для певного значення напруги. Завжди перевіряйте, що джерело живлення відповідає напрузі, що вказана на таблиці з паспортними даним.

Попередження! Ніколи не намагайтесь замінити зарядний пристрій звичайним мережним штепселем.

- ◆ Використовуйте зарядний пристрій Black & Decker лише для зарядки батарей того інструменту, з яким він продавався. Інші батареї можуть вибухнути, спричинивши травми та пошкодження.
- ◆ Ніколи не намагайтесь заряджати батареї, що не підлягають зарядці.
- ◆ Якщо шнур живлення пошкоджений, його необхідно замінити, звернувшись до виробника або до офіційного сервісного центру компанії Black & Decker, щоб уникнути можливого ризику.
- ◆ Негайно замініть пошкоджений шнур.
- ◆ Не піддавайте зарядний пристрій впливу води.
- ◆ Не відкривайте зарядний пристрій.
- ◆ Не тестуйте зарядний пристрій.
- ◆ Під час зарядки пристрій/інструмент/батарея повинні знаходитись у добре провітрюваному приміщенні.



Зарядний пристрій призначений лише для використання в приміщенні.



Прочитайте інструкції цього керівництва перед використанням.



Надійний розділовий трансформатор. Живлення від мережі змінного струму є відділене від виходу трансформатора.



Зарядний пристрій відключається, коли температура навколишнього середовища стає занадто високою. В результаті зарядний пристрій може припинити працювати. Необхідно відключити його від мережі живлення та віднести в офіційний сервісний центр для ремонту.

Електрична безпека



Цей зарядний пристрій має подвійну ізоляцію; тому заземлення не є необхідним. Завжди перевіряйте, що джерело живлення відповідає напрузі, що вказана на таблиці з паспортними даним.

- ◆ Якщо шнур живлення пошкоджений, його необхідно замінити, звернувшись до ви-

робника або до офіційного сервісного центру компанії Black & Decker, щоб уникнути можливого ризику.

- ◆ **Попередження!** Ніколи не намагайтесь замінити зарядний пристрій звичайним мережним штепселем.

Деталі

1. Вимикач
2. Перемикач вперед/назад
3. Тримач біт
4. Світлодіодний індикатор

Мал. А

5. Зарядний пристрій
6. Штепсель зарядного пристрою

Зборка

Встановлення та видалення свердла або викрутки-вставки (мал. В)

Цей інструмент використовує біти та свердла з шестиграним хвостовиком 1/4" (6,35 мм).

- ◆ Щоб встановити біту, вставте її хвостовик в тримач вставки (3).
- ◆ Щоб витягти біту, потягніть за її хвостовик та витягніть її з тримача (3).

Використання

Попередження! Інструмент має працювати з передбаченою швидкістю. Не перевантажуйте його.

- ◆ Перед використанням необхідно зарядити батарею на протязі 9 годин.

Зарядка батареї (мал. С)

- ◆ Вставте штепсель зарядного пристрою (6) в конектор (7).
- ◆ Ввімкніть зарядний пристрій в розетку (5).
- ◆ Залишіть інструмент підключеним до зарядного пристрою протягом не менш як 12 годин.

Зарядний пристрій може створювати тихий шум або нагріватися під час зарядки, це є нормою і не є показником проблеми.

Попередження! Не заряджайте батарею при температурі навколишнього середовища нижче 10 °C або вище 40 °C.

Вибір напрямку обертання (Мал. D)

Для свердління та затягування шурупів використовуйте обертання вперед. Для викручування шурупів та витягування затисненого свердла використовуйте обертання в зворотному напрямку.

- ◆ Щоб вибрати пряме обертання, пересуньте ручку перемикача вперед/назад (2) вліво.
- ◆ Для вибору зворотного напрямку обертання натисніть на ручку перемикача вперед/назад вправо.
- ◆ Щоб заблокувати інструмент, пересуньте ручку перемикача в центральне положення.

Свердління/використання викрутки

- ◆ Виберіть напрямок руху вперед чи назад, використовуючи перемикач вперед/назад (2).
- ◆ Для ввімкнення інструменту натисніть перемикач ввімкнено/вимкнено (1).
- ◆ Щоб вимкнути інструмент, відпустіть перемикач веред/назад (1).

Світлодіодний індикатор

Світлодіодний індикатор (4) активується автоматично при натисненні на тригерний перемикач. Світлодіод також буде горіти, коли тригер натиснений та перемикач вперед/назад (2) знаходиться у розблокованому положенні (центральне положення).

Примітки для оптимального використання

Використання викрутки

- ◆ Завжди використовуйте правильний тип та розмір викрутки-вставки.
- ◆ Якщо шурупи важко затягуються, спробуйте застосувати невелику кількість м'якої рідини чи мила в якості мастила.
- ◆ Використовуйте блокування шпинделя, щоб відкрити дуже сильно затягнуті шурупи.
- ◆ Завжди тримайте інструмент та викрутку-вставку по прямій лінії з шурупом
- ◆ При закручуванні шурупів в дерево рекомендується зробити базовий отвір глибиною, рівною довжині шурупа. Базовий отвір буде спрямовувати шуруп та допоможе уникнути розколювання та пошкодження дерева. Інформацію щодо оптимального розміру базового отвору можна знайти в таблиці нижче.
- ◆ При закручуванні шурупів в тверде дерево також зробіть отвір з гарантованим зазором глибиною, рівною половині довжини шурупа. Інформацію щодо оптимального розміру отвору з гарантованим зазором можна знайти в таблиці нижче.

Розмір шурупа	Направляючий отвір Ø (м'яке дерево)	Направляючий отвір Ø (тверде дерево)	Отвір з гарантованим зазором
№ 6 (3,5 мм)	2,0мм	2,5мм	3,6мм
№ 8 (4 мм)	2,5мм	3,0мм	4,5мм
№ 10 (5 мм)	3,0мм	3,5мм	5,0мм

Свердління

- ◆ Завжди дещо натискайте на інструмент, спрямовуючи силу по прямій лінії зі свердлом.
- ◆ Безпосередньо перед тим, як кінець свердла з'явиться з іншої сторони заготовки, зменшіть тиск на інструмент.
- ◆ Використовуйте дерев'яну планку для захисту заготовки, яка може розколотися.
- ◆ Зробіть помітку, використовуючи кернер, біля центру отвору, щоб просвердлений, щоб поліпшити точність.

Витратні матеріали

Продуктивність роботи інструменту залежить від витратних матеріалів, які Ви використовуєте. Витратні матеріали виробництва фірм Black & Decker та Piranha розроблені з дотриманням високих стандартів якості та створені для підвищення ефективності використання вашого інструменту. Використовуючи ці аксесуари Ви отримаєте максимальну ефективність від Вашого інструменту.

Цей інструмент використовує біти з шестигранним хвостовиком 1/4" (6,35 мм). Витратні матеріали виробництва компанії Piranha Super-lok розроблені для використання з цим інструментом.

Технічне обслуговування

Ваш пристрій виробництва компанії Black & Decker призначений для роботи протягом довгого часу з мінімальним обслуговуванням. Постійна задовільна робота залежить від правильного догляду за інструментом та регулярної очистки. Ваш зарядний пристрій не вимагає технічного обслуговування, лише необхідно проводити регулярну очистку.

Попередження! Перед виконанням технічного обслуговування інструменту вимкніть його або витягніть з нього батарею, якщо інструмент має окрему батарею. Якщо батарея невід'ємна, розрядіть її повністю. Витягніть зарядний пристрій з розетки перед очисткою.

- ◆ Регулярно очищуйте вентиляційний отвір за допомогою м'якої щітки або сухої ганчірки.

- ◆ Регулярно очищуйте корпус мотору вологою ганчіркою. Не використовуйте абразивні засоби та очищаючі засоби, що містять розчинники.
- ◆ Регулярно відкривайте затискний патрон та струшуйте його, щоб видалити пил з середини (якщо патрон наявний).

Захист навколишнього середовища



Окреме збирання. Цей виріб не має викидатися на смітник із звичайним побутовим сміттям.

Якщо якимось Ви вирішите, що ваш виріб фірми Black & Decker має бути замінено, або він Вам більше не потрібний, не викидайте його на смітник побутового сміття. Зробіть цей виріб доступним для спеціального збирання.



Окремий збір використаних виробів та упаковки дозволяє повторно переробляти та використовувати матеріали. Переробка повторно використовуваних матеріалів допомагає попередити забруднення навколишнього середовища та зменшує потребу в сировині.

Місцеві законодавчі акти можуть передбачати окремий збір електричного обладнання в муніципальних місцях для збору сміття або продавцями при покупці нового обладнання.

Компанія Black & Decker має можливість для збору та переробки продуктів власного виробництва після закінчення їхнього терміну служби. Щоб скористатися цією послугою, поверніть виріб компанії в офіційний сервісний центр, які збирають відпрацьовані продукти за наш рахунок.

Ви можете знайти місцезнаходження найближчого до Вас сервісного центру, зв'язавшись з місцевим офісом компанії Black & Decker за адресою, вказаною в цих інструкціях. Крім того, список офіційних сервісних центрів компанії Black & Decker з усіма подробицями нашого післяпродажного обслуговування та контактною інформацією міститься в Інтернеті за адресою: www.2helpU.com

Батареї



В кінці їхнього строку служби викиньте батареї, не забуваючи про навколишнє середовище:

- ◆ Не змикайте контакти батареї.
- ◆ Не викидайте батареї у вогонь, це може призвести до травми або вибуху.
- ◆ Батарея повинна бути повністю розряджена, потім витягніть її з інструменту.
- ◆ Батареї піддаються повторній переробці. Помістіть батарею у відповідну упаковку, щоб запобігти замиканню контактів. Віднесіть їх в будь-який офіційний ремонтний центр або на місцеву переробку станцію.

Технічні дані

		KC460LN (H1)	
Напруга	V_{DC}	3,6	
Швидкість без навантаження	xv^{-1}	180	
Заданий момент обертання	Nm	7,7	
Макс. обертаючий момент	Nm	3,2	
Тримач біт	mm	6,35 (1/4")	
Вага	kg	0,4	

Батарея

Напруга	V	3,6	
Тип батареї		літій-іонна	
Ємність	Ah	1,1/1,3	

Зарядний пристрій

		905450XX	
Вхідна напруга	V_{AC}	230	
Вихідна напруга	V_{DC}	9	
Сила струму	mA	100	
Приблизний час зарядження	$год.$	12	
Вага	kg	0,4	

Рівень звукового тиску згідно з EN 60745:

Звуковий тиск (L_{pA}) 58,9 дБ(A),
похибка (K) 3 дБ(A)

акустична потужність (L_{WA}) 69,9 дБ(A),
похибка (K) 3 дБ(A)

Загальні значення вібрації (векторна сума трьох векторів) згідно з EN 60745:

Свердління металу ($a_{h,D}$) 0,979 m/c^2 ,
похибка (K) 1,5 m/c^2

Використання викрутки без удару ($a_{h,S}$) 0,247 m/c^2 ,
похибка (K) 1,5 m/c^2

Заява про відповідність ЄС

ДИРЕКТИВА ДЛЯ МЕХАНІЧНОГО
ОБЛАДНАННЯ



KC460LN H1

Компанія Black & Decker заявляє, що продукти, описані в розділі "Технічні дані" відповідають: 2006/42/EC, EN 60745-1, EN 60745-2-2

Ці продукти також відповідають Директиві 2004/108/EC і 2011/65/EU. Для отримання додаткової інформації, будь ласка, зверніться до компанії Stanley Europe за наступною адресою або прочитайте інформацію на зворотній стороні цього керівництва.

Для отримання додаткової інформації, будь ласка, зверніться до компанії Black & Decker за наступною адресою або прочитайте інформацію на зворотній стороні цього керівництва.

Нижчепідписаний несе відповідальність за упорядкування файлу технічних характеристик та робить цю заяву від компанії Black & Decker.

Кевін Хьюїт (Kevin Hewitt)

Віце-президент

з глобальних розробок

Black & Decker Europe, 210 Bath Road, Slough,

Berkshire, SL1 3YD

Великобританія

15/08/2012

БЛЕК ЕНД ДЕККЕР

гарантійні умови

Шановний покупцю!

1. Вітаємо Вас з покупкою високоякісного виробу компанії Black & Decker та висловлюємо Вам свою вдячність за Ваш вибір.
- 1.1. Надійна робота цього виробу на протязі всього терміну експлуатації є предметом особливої турботи наших сервісних служб. У випадку виникнення будь-яких проблем в процесі експлуатації виробу ми рекомендуємо Вам звертатися лише до авторизованих сервісних організацій, адреси та телефони яких Ви зможете знайти в Гарантійному талоні або дізнатися в магазині. Наші сервісні центри – це не тільки кваліфікований ремонт, але і широкий вибір запчастин та аксесуарів.
- 1.2. При купівлі виробу вимагайте перевірки його комплекtnості та справності за Вашою присутності, наявності інструкції та заповненого Гарантійного талону на українській мові. За умови відсутності у Вас правильно заповненого Гарантійного талону ми будемо вимушені відхилити Ваші претензії щодо якості цього виробу.
- 1.3. Щоб уникнути всіх непорозумінь наполегливо просимо Вас перед початком роботи з виробом уважно ознайомитись з інструкцією щодо його експлуатації.
- 1.4. Звертаємо Вашу увагу на виключно побутове призначення цього виробу.
2. Правовою основою даних гарантійних умов є діюче Законодавство та, зокрема, Закон "Про захист прав споживачів".
3. Гарантійний термін на даний виріб складає 24 місяці та починається з дня продажу через роздрібну торгову мережу. У випадку усунення недоліків виробу гарантійний термін подовжується на період, протягом якого виріб не використовувався.
4. Термін служби виробу - 5 років (мінімальний, встановлений у відповідності до Закону "Про захист прав споживачів").
5. Наші гарантійні зобов'язання поширюються тільки на несправності, виявлені протягом гарантійного терміну та обумовлені виробничими та конструктивними факторами.
6. Гарантійні зобов'язання не поширюються:
 - 6.1. На несправності виробу, що виникли в результаті:
 - 6.1.1. Недотримання користувачем вказівок інструкції з експлуатації виробу.
 - 6.1.2. Механічних пошкоджень, викликаних зовнішнім ударним або іншим впливом.
 - 6.1.3. Використання виробу в професійних цілях та об'ємах, в комерційних цілях.
 - 6.1.4. Застосування виробу не за призначенням.
 - 6.1.5. Стихійного лиха.

- 6.1.6. Несприятливому атмосферному та інших зовнішніх впливах на виріб, таких як дощ, сніг, підвищена вологість, нагрів, агресивні середовища, невідповідність параметрів електромережі параметрам, вказаним на інструменті.
- 6.1.7. Використання аксесуарів, витратних матеріалів та запчастин, які не рекомендовані або не схвалені виробником.
- 6.1.8. Проникнення всередину інструменту сторонніх предметів, комах, матеріалів або речовин, що не є відходами, які супроводжують використання інструменту за призначенням, наприклад, стружки, опилки та ін.
- 6.2. На інструменти, що були відкриті, піддані ремонту або модифікації поза уповноваженим сервісним центром.
- 6.3. На приналежності, запчастини, що вийшли з ладу внаслідок нормального зносу, та витратні матеріали, такі як, приводні ремені, вугільні щітки, ножі, та ін.
- 6.4. На несправності, які виникли в результаті перевантаження інструменту, що призвело до виходу з ладу електродвигуна або інших вузлів та деталей. До безумовних ознак перевантаження виробу належать, зокрема: поява кольорів мінливості, деформація або оплавлення деталей та вузлів виробу, потемніння або обуглювання ізоляції дрітві електродвигуна під впливом високої температури.



Блек енд Декер ГмбХ,
Блек енд Декер Штрассе, 40,
65510 Ідштайн, Німеччина.

03 червня 1999 р.

Kullanım amacı

Black & Decker kompakt şarjlı tornavidanız vida takma ve sökme uygulamaları ve ahşap, metal ve plastik delme işlemleri için tasarlanmıştır. Hafif hizmet ve hobi kullanımı içindir.

Güvenlik talimatları

Elektrikli el aletleri için genel güvenlik talimatları



Uyarı! Bütün güvenlik uyarılarını ve talimatlarını mutlaka okuyun. Bu talimatların herhangi birisine uyulmaması elektrik çarpması, yangın ve/veya ciddi yaralanma riskine neden olabilir.

Bütün uyarı ve güvenlik talimatlarını ileride bakmak üzere muhafaza edin. Aşağıda yer alan uyarılardaki "elektrikli alet" terimi şebeke elektriğiyle (kablolu) veya akü/pille (şarjlı) çalışan elektrikli aletinizi ifade etmektedir.

1. Çalışma alanının güvenliği

- Çalışma alanını temiz ve aydınlık tutun.** Karışık ve karanlık alanlar kazaya davetiye çıkarır.
- Elektrikli aletleri, yanıcı sıvılar, gazlar ve tozların bulunduğu yerler gibi yanıcı ortamlarda çalıştırmayın.** Elektrikli aletler, toz veya dumanları ateşleyebilecek kıvılcımlar çıkarır.
- Bir elektrikli aleti çalıştırırken çocuklardan ve etraftaki kişilerden uzak tutun.** Dikkatinizi dağıtıcı şeyler kontrolü kaybetmenize neden olabilir.

2. Elektrik güvenliği

- Elektrikli aletlerin fişleri prizlere uygun olmalıdır.** Fiş üzerinde kesinlikle hiçbir değişiklik yapmayın. Topraklı elektrikli aletlerde hiçbir adaptör fişi kullanmayın. Değiştirilmemiş fişler ve uygun prizler elektrik çarpması riskini azaltacaktır.
- Borular, radyatörler, ocaklar ve buzdolapları gibi topraklanmamış yüzeylerle vücut temasından kaçının.** Vücudunuzun topraklanması halinde yüksek bir elektrik çarpması riski vardır.
- Elektrikli aletleri yağmura maruz bırakmayın veya ıslatmayın.** Elektrikli alete su girmesi elektrik çarpması riskini arttıracaktır.
- Elektrik kablosunu uygun olmayan amaçlarla kullanmayın.** Elektrikli aleti kesinlikle kablosundan tutarak taşımayın, çekmeyin veya prizden çıkartmayın. Kabloyu sıcaktan, yağdan, keskin kenarlardan veya hareketli parçalardan uzak tutun. Hasarlı veya dolaşmış kablolar elektrik çarpması riskini artırır.
- Elektrikli bir aleti açık havada çalıştırıyorsanız, açık havada kullanıma uygun bir uzatma**

kablosu kullanın. Açık havada kullanıma uygun bir kablolu kullanılması elektrik çarpması riskini azaltır.

- Eğer bir elektrikli aletin nemli bir bölgede çalıştırılması zorunluysa, bir artık akım aygıtı (RCD) korumalı bir kaynak kullanın.** Bir RCD kullanılması elektrik şoku riskini azaltır.
- Kişisel güvenlik**
 - Elektrikli bir aleti kullanırken her zaman dikkatli olun, yaptığınız işe yoğunlaşın ve sağduyulu davranın.** Elektrikli bir aleti yorgunken veya ilaç ya da alkolün etkisi altındayken kullanmayın. Elektrikli aletleri kullanırken bir anlık dikkatsizlik ciddi kişisel yaralanmayla sonuçlanabilir.
 - Kişisel koruyucu ekipmanları mutlaka kullanın. Daima koruyucu gözlük takın.** Kışullara uygun toz maskesi, kaymayan güvenlik ayakkabıları, baret veya kulaklık gibi koruyucu donanımların kullanılması kişisel yaralanmaları azaltacaktır.
 - İstem dışı çalıştırılmasını önleyin. Cihazı güç kaynağına ve/veya aküye bağlamadan, yerden kaldırmadan veya taşımadan önce düğmenin kapalı konumda olduğundan emin olun.** Aleti, parmağınız düğme üzerinde bulunacak şekilde taşımak veya açık konumdaki elektrikli aletleri elektrik şebekesine bağlamak kazaya davetiye çıkarır.
 - Elektrikli aleti açmadan önce tüm ayarlama anahtarlarını çıkartın.** Elektrikli aletin hareketli bir parçasına takılı kalmış bir anahtar kişisel yaralanmaya neden olabilir.
 - Ulaşmakta zorlandığınız yerlerde kullanmayın. Daima sağlam ve dengeli basın.** Bu, beklenmedik durumlarda elektrikli aletin daha iyi kontrol edilmesine olanak tanır.
 - Uygun şekilde giyinin. Bol elbiseler giymeyin ve takı takmayın. Saçınızı, elbiselerinizi ve eldivenlerinizi hareketli parçalardan uzak tutun.** Bol elbiseler ve takılar veya uzun saç hareketli parçalara takılabilir.
 - Eğer kullandığınız üründe toz emme ve toplama özellikleri olan ataşmanlar varsa bunların bağlı olduğundan ve doğru şekilde kullanıldığından emin olun.** Bu ataşmanların kullanılması tozla ilgili tehlikeleri azaltabilir.
 - Elektrikli aletlerin kullanımı ve bakımı.**
 - Elektrikli aleti zorlamayın. Uygulamanız için doğru elektrikli aleti kullanın.** Doğru elektrikli alet, belirlendiği kapasite ayarında kullanıldığında daha iyi ve güvenli çalışacaktır.
 - Düğe açmıyor ve kapatıyorsa elektrikli aleti kullanmayın.** Düğmeye kontrol edile-

meyen tüm elektrikli aletler tehlikelidir ve tamir edilmesi gerekmektedir.

- c. **Herhangi bir ayarlama, aksesuar değişimi veya elektrikli aletlerin saklanması öncesinde fişi güç kaynağından çekin ve/veya aküyü aletten ayırın.** Bu tür önleyici güvenlik tedbirleri elektrikli aletin istem dışı olarak çalıştırılması riskini azaltacaktır.
- d. **Elektrikli aleti, çocukların ulaşamayacağı yerlerde saklayın ve elektrikli aleti tanımayan veya bu talimatları bilmeyen kişilerin elektrikli aleti kullanmasına izin vermeyin.** Elektrikli aletler, eğitimsiz kullanıcıların elinde tehlikelidir.
- e. **Elektrikli aletleri iyi durumda muhafaza edin. Hareketli parçalardaki hizalama hatalarını ve tutuklukları, parçalardaki kırılmalar ve elektrikli aletin çalışmasını etkileyebilecek tüm diğer koşulları kontrol edin. Hasarlı ise, elektrikli aleti kullanmadan önce tamir ettirin.** Kazaların çoğu, elektrikli aletlerin bakımının yeterli şekilde yapılmamasından kaynaklanır.
- f. **Kesim aletlerini keskin ve temiz tutun.** Bakımı uygun şekilde yapılmış keskin kesim uçlu kesim aletlerinin sıkışma ihtimali daha düşüktür ve kontrol edilmesi daha kolaydır.
- g. **Elektrikli aleti, aksesuarlarını ve aletin diğer parçalarını kullanırken bu talimatlara mutlaka uyun ve çalışma ortamının koşullarını ve yapılacak işin ne olduğunu göz önünde bulundurun.** Elektrikli aletin öngörülen işlemler dışındaki işlemler için kullanılması tehlikeli durumlara neden olabilir.

5. Şarjlı aletlerin kullanımı ve bakımı

- a. **Sadece üretici tarafından belirtilen şarj cihazı ile şarj edin.** Bir akü tipine uygun bir şarj cihazı başka tipte bir aküyü şarj etmek için kullanıldığında yangın riski yaratabilir.
- b. **Elektrikli aletleri yalnızca özel olarak tanımlanmış akülerle kullanın.** Başka akülerin kullanılması yaralanma ve yangın riskine yol açabilir.
- c. **Akü kullanımda değilken, ataç, bozuk para, anahtar, çivi, vida veya terminaller arasında kontağa neden olabilecek diğer küçük metal nesnelere uzak tutulmalıdır.** Akü terminalerinin birbirine kısa devre yapılması yanıklara veya yangına neden olabilir.
- d. **Uygun olmayan koşullarda, akü sıvı sızıntısı yapabilir; sıvıya temas etmekten kaçının. Kazara temas etmeniz halinde suyla yıkayın. Sıvı, gözlerinize temas ederse, ayrıca bir doktora başvurun.** Aküden sıvı sızması tahriş veya yanıklara neden olabilir.

6. Servis

- a. **Elektrikli aletinizi, sadece orijinal yedek parçaların kullanıldığı yetkili Black & Decker servisine tamir ettirin.** Bu, elektrikli aletin güvenliğinin muhafaza edilmesini sağlayacaktır.

Elektrikli el aletleri için ek güvenlik talimatları



Uyarı! Tornavidalar ve somun sıkımları için ek güvenlik talimatları

- ◆ **Vidalama aksesuarının gizli kabloları veya kendi kablosuna temas edebileceği yerlerde çalışma yaparken aleti yalıtımlı kavrama yüzeylerinden tutun.** Vidalama aksesuarının "akım taşıyan" bir tele temas etmesi durumunda, aletin metal kısımları "akım taşıyıcı" hale gelebilir ve kullanıcının çarpılmasına yol açabilir.
- ◆ **Somun sıkımları kullanırken kulaklık takın.** Yüksek sese maruz kalmak işitme kaybına yol açabilir.
- ◆ **Aletle birlikte verilmiş olan yardımcı tutma kollarını kullanın.** Kontrol kaybı kişisel yaralanmalara neden olabilir.
- ◆ **Üzerinde çalıştığınız parçayı sabitlemek ve desteklemek için kelepçeler veya başka pratik yöntemler kullanın.** Parçayı elle tutmanız veya vücudunuza dayamanız dengesiz duruma neden olup, aletin kontrolünü kaybetmenize yol açabilir.
- ◆ **Duvar, zemin veya tavanda vidalamadan önce kablo ve boruların konumunu kontrol edin.**
- ◆ **Bu alet fiziksel ve zihinsel kapasitesinin yanı sıra algılama gücü azalmış olan veya yeterince deneyim ve bilgisi bulunmayan kişiler (çocuklar dahil) tarafından kullanılmak üzere üretilmemiştir.** Bu tür kişiler aleti ancak güvenliklerinden sorumlu bir kişi tarafından cihazın kullanımıyla ilgili talimatların verilmesi veya sürekli kontrol altında tutulması durumunda kullanabilir. Çocuklar, aletle oynamalarının önlemek amacıyla kontrol altında tutulmalıdır.
- ◆ **Kullanım amacı bu kullanım kılavuzunda açıklanmıştır.** Herhangi bir aksesuarın veya bağlantının ya da işlemin, bu kılavuzda tavsiye edilen şekilden başka bir şekilde kullanılması şahısların yaralanmalarına ve/veya mal kaybına yol açabilir.

Diğer kişilerin güvenliği

- ◆ **Cihaz, güvenliklerinden sorumlu kişi gözetiminde cihazın kullanımı hakkında bilgi verilmeksizin, sınırlı fiziksel (çocuklar dahil), duyuşal veya**

zihinsel kapasiteli veya deneyimsiz ve bilgisiz kişiler tarafından kullanılmamalıdır.

- ◆ Cihazla oynamadıklarından emin olmak için çocuklar gözetim altında tutulmalıdır.

Diğer riskler.

Ekteki güvenlik uyarılarında bulunmayan alet kullanılırken fazladan kalıcı riskler oluşabilir. Yanlış kullanım, uzun süreli kullanım vb. sonucu bu riskler oluşabilir.

İlgili güvenlik talimatlarına uyulsa ve güvenlik aletleri kullanılsa bile bazı kalıcı riskler engellenemeyebilir. Bunlara şunlar dahildir:

- ◆ **Dönen/hareket eden parçalara dokunarak yaralanmalar.**
- ◆ **Parça, bıçak veya aksesuar değiştirirken oluşan yaralanmalar.**
- ◆ **Aletin uzun süreli kullanılmasıyla oluşan yaralanmalar. Alet uzun süre kullanıldığında düzenli aralar vermeye özen gösterin.**
- ◆ **İşitme kaybı.**
- ◆ **Alet kullanılırken oluşan tozun solunmasıyla ortaya çıkan sağlık sorunları (örneğin: aışap, özellikle meşe, ağartıcı ve MDF ile çalışırken.)**

Titreşim

Teknik veriler ve uygunluk beyanati içerisinde belirtilen titreşim emisyon değerleri EN60745 tarafından belirlenen standart bir test yöntemine uygun olarak ölçülmektedir ve diğer bir aletle karşılaştırma yaparken kullanılabilir. Beyan edilen titreşim emisyon değeri aynı zamanda maruz kalmanın önceden değerlendirilmesinde de kullanılabilir.

Uyarı! Elektrikli aletin mevcut kullanımı sırasındaki titreşim emisyon değeri, aletin kullanım yöntemine bağlı olarak, beyan edilen değere göre farklılık sergileyebilir. Titreşim düzeyi belirlenen seviyenin üzerinde artış gösterebilir.

İşyerinde düzenli olarak elektrikli alet kullanan çalışanları korumak amacıyla 2002/44/EC tarafından getirilen elektrik güvenliği önlemlerini belirlemek üzere titreşime maruz kalmayı değerlendirirken, çalışma döngüsü içerisinde örneğin aletin kapalı olduğu ve aktif durumda olmasının yanı sıra boşta çalıştığı zamanlar gibi, bütün zaman dilimleri dahil olmak üzere mevcut kullanım durumu ve aletin kullanım şekli göz önünde bulundurularak değerlendirilmelidir.

Alet üzerindeki etiketler

Alet üzerinde, aşağıdaki uyarı sembolleri bulunmaktadır:



Uyarı! Yaralanma riskini en aza indirmek için kullanıcı kullanım talimatlarını mutlaka okumalıdır.

Aküler ve şarj cihazları için ek güvenlik talimatları

Aküler

- ◆ Aküleri kesinlikle, hiçbir nedenle açmaya çalışmayın.
- ◆ Aküleri suya maruz bırakmayın.
- ◆ Aküleri ısıya maruz bırakmayın.
- ◆ Sıcaklığın 40 °C'yi aşabileceği yerlerde saklamayın.
- ◆ Sadece 10 °C ile 40 °C arasındaki ortam sıcaklıklarında şarj edin.
- ◆ Sadece aletle birlikte verilen şarj cihazını kullanarak şarj edin.
- ◆ Aküleri atarken, Çevrenin korunması başlıklı bölümdeki talimatlara uyun.
- ◆ Delerek veya darbe ile aküye zarar vermeyin ve biçimini bozmayın. Bu yaralanma ve yangın riskine neden olabilir.
- ◆ Hasarlı aküleri şarj etmeyin.
- ◆ Zorlayıcı koşullarda akü akabilir. Akülerin üzerinde sıvı gördüğünüzde, sıvıyı bir bezle dikkatli bir şekilde silin. Cilde temasından kaçının.
- ◆ Cilt veya gözle teması halinde aşağıdaki talimatları uygulayın.

Uyarı! Akü sıvısı, kişisel yaralanmalara ya da maddi hasara yol açabilir. Ciltle teması halinde derhal bol suyla durulayın. Kızarıklık, ağrı veya tahriş meydana gelirse tıbbi yardım alın. Gözle teması halinde derhal temiz suyla durulayın ve tıbbi yardım alın.

Şarj cihazları

Şarj cihazınız belirli bir voltaj için tasarlanmıştır. Her zaman şebeke geriliminin aletin üretim etiketinde belirlenmiş değerlere uyup uymadığını kontrol edin.

Uyarı! Şarj cihazının kesinlikle normal bir elektrik fişi ile değiştirmeye kalkışmayın.

- ◆ Black & Decker şarj cihazınızı, yalnızca aletle birlikte verilen aküyü şarj etmek için kullanın. Diğer aküler patlayarak yaralanma veya hasara yol açabilir.
- ◆ Şarj edilme özelliği olmayan aküleri kesinlikle şarj etmeye çalışmayın.
- ◆ Elektrik kablosu hasarlı ise, bir tehlike oluşmasını önlemek için üretici ya da yetkili Black & Decker servisi tarafından değiştirilmelidir.
- ◆ Kusurlu kabloları hemen değiştirin.
- ◆ Şarj cihazını suya maruz bırakmayın.
- ◆ Şarj cihazını açmayın.
- ◆ Şarj cihazını delmeyin.

- ◆ Alet/akü, şarj sırasında iyi havalandırmalı bir alana yerleştirilmelidir.



Şarj cihazı, yalnızca kapalı alanda kullanım içindir.



Aleti kullanmadan önce kullanım kılavuzunu okuyun.



Arıza güvenli yalıtım transformatörü. Şebeke beslemesinin transformatör çıkışıyla elektrik bağlantısı ayrılmıştır.



Ortam sıcaklığının çok yüksek olması durumunda şarj cihazı otomatik olarak kapanır. Sonuç olarak şarj cihazı çalışmayacaktır. Şarj kadesi, şebeke beslemesinden çıkarılmalı ve yetkili bir tamir servisinde tamir ettirilmelidir.

Elektrik güvenliği



Şarj cihazınız çift yalıtımlıdır. Bu yüzden hiç bir toprak kablosuna gerek yoktur. Her zaman şebeke geriliminin aletin üretim etiketinde belirlenmiş değerlere uyup uymadığını kontrol edin.

- ◆ Elektrik kablosu hasarlı ise, bir tehlike oluşmasını önlemek için üretici ya da yetkili Black & Decker servisi tarafından değiştirilmelidir.
- ◆ **Uyarı!** Şarj cihazı ünitesini kesinlikle normal bir elektrik fişi ile değiştirmeye kalkışmayın.

Özellikler

1. Açma/kapama düğmesi
2. İleri/geri sürgüsü
3. Uç tutucu
4. LED ışığı

Şekil A

5. Şarj cihazı
6. Şarj cihaz fişi

Montaj

Matkap veya tornavida ucunun takılması ve çıkartılması (Şekil B)

Bu alette, 6,35 mm (1/4") altıgen gövdeli tornavida ve matkap uçları kullanılmaktadır.

- ◆ Bir ucu takmak için ucu, uç tutucuya (3) sokun.
- ◆ Bir ucu çıkartmak için ucu, uç tutucudan (3) çekin.

Kullanımı

Uyarı! Aletin kendi hızında çalışmasına izin verin. Aşırı yüklenmeyin.

- ◆ İlk kullanımdan önce akü en az 9 saat şarj edilmelidir.

Akünün şarj edilmesi (Şekil C)

- ◆ Şarj cihazı fişini (6) şarj cihazı bağlantısına (7) takın.
- ◆ Şarj cihazını (5) prize takın.
- ◆ Aleti 12 saat süreyle şarj aletine bağlı bırakın. Şarj cihazı, şarj ederken ses çıkarabilir ve ısınabilir; bu normal bir durumdur ve herhangi bir soruna işaret etmez.

Uyarı! Aküyü, 10 °C'nin altında veya 40 °C'nin üzerindeki sıcaklıklarda şarj etmeyin.

Dönme yönünün seçilmesi (Şekil D)

Delik açmak ve vidaları sıkmak için ileri yönde dönme fonksiyonunu kullanın. Vidaları gevşetmek veya sıkışmış bir matkap ucunu çıkartmak için geri yönde dönme fonksiyonunu kullanın.

- ◆ İleri yönde dönme fonksiyonunu seçmek için ileri/geri sürgüsünü (2) ileri konumuna getirin.
- ◆ Geri yönde dönme fonksiyonunu seçmek için ileri/geri sürgüsünü (2) geri konumuna getirin.
- ◆ Aleti kilitlemek için ileri/geri sürgüsünü orta konuma getirin.

Delik delme/vida takma ve sökme

- ◆ İleri geri sürgüsünü (2) kullanarak ileri veya geri yönde dönme fonksiyonunu seçin.
- ◆ Aleti açmak için, açma/kapama düğmesine (1) basın.
- ◆ Aleti kapatmak için, açma/kapama düğmesini (1) bırakın.

LED ışığı

Tetiğe basıldığında LED ışığı (4) otomatik olarak yanar. LED ışığı ayrıca ileri/geri sürgüsü (2) kilitli olduğunda (orta konumda) ve tetiğe basıldığında yanar.

Yararlı tavsiyeler

Vida takma ve sökme

- ◆ Daima doğru tipte ve boyutta tornavida ucu takın.
- ◆ Vidaları sıkmakta zorlanıyorsanız, yağlayıcı olarak az miktarda deterjan veya sabun kullanmayı deneyin.
- ◆ Mil kilidini, çok sıkı vidaları gevşetmek veya vidaları iyice sıkmak için kullanın.
- ◆ Aleti ve tornavida ucunu daima vidaya dik bir hizada tutun.
- ◆ Ahşapta vidalama yaparken, vidanın boyuna eşit derinlikte bir kılavuz deliği delmeniz tavsiye edilir. Kılavuz delik, vidayı yönlendirir ve ahşabın parçalanmasını veya biçiminin bozulmasını önler. En uygun kılavuz deliği boyutu için aşağıdaki tabloya bakın.

- ◆ Sert bir ahşaba vida takarken, vidanın boyunun yarısına eşit derinlikte bir de boşluk deliği delin. En uygun boşluk deliği boyutu için aşağıdaki tabloya bakın.

Vida boyutu	Kılavuz delik çapı (yumuşak ahşap)	Kılavuz delik çapı (sert ahşap)	Boşluk deliği
No. 6 (3,5 mm)	2,0 mm	2,5 mm	3,6 mm
No. 8 (4 mm)	2,5 mm	3,0 mm	4,5 mm
No. 10 (5 mm)	3,0 mm	3,5 mm	5,0 mm

Delik delme

- ◆ Daima matkap ucuna düz bir çizgide hafif bir baskı uygulayın.
- ◆ Matkap ucu, üzerinde çalıştığınız parçanın öbür yüzünden çıkmadan hemen önce alet üzerindeki baskıyı azaltın.
- ◆ Parçalanabilecek parçaları desteklemek için ağaç bir takoz kullanın.
- ◆ Doğruluğu artırmak için, delinecek yerin ortasına bir merkez zımbası ile çentik atın.

Aksesuarlar

Aletinizin performansı kullanılan aksesuarlara bağlıdır. Black & Decker ve Piranha aksesuarları, yüksek kalite standartlarına göre üretilmiş ve aletinizin performansını arttıracak şekilde tasarlanmıştır. Bu aksesuarları kullanarak, aletinizden en iyi verimi alabilirsiniz.

Bu alette, 1/4" (6,35 mm) altıgen gövdeli tornavida uçları kullanılmaktadır. Piranha Super-lok aksesuarları bu aletle kullanılmak üzere tasarlanmıştır.

Bakım

Black & Decker elektrik/şarjlı aletiniz minimum bakımla uzun bir süre çalışacak şekilde tasarlanmıştır. Kesintisiz olarak memnuniyet verici bir şekilde çalışması gerekli özenin gösterilmesine ve düzenli temizliğe bağlıdır. Şarj cihazınız, düzenli temizlik dışında herhangi bir bakım gerektirmemektedir.

Uyarı! Alet üzerinde herhangi bir bakım işlemi gerçekleştirmeden önce, aletin çıkartılabilir aküsü varsa; aleti kapatın, fişten çekin ve aküyü aletten çıkartın. Aletin dahili aküsü varsa, bitene kadar çalıştırın. Şarj cihazını temizlemeden önce fişten çekin.

- ◆ Aletinizdeki ve şarj cihazındaki havalandırma deliklerini yumuşak bir fırça veya kuru bir bezle düzenli olarak temizleyin.
- ◆ Motor muhafazasını düzenli olarak nemli bir bezle silin. Aşındırıcı veya çözücü bazlı temizleyiciler kullanmayın.
- ◆ Mandreni düzenli olarak tamamen açın ve içindeki tozu dökmek için hafifçe vurun. Bunun için mandrenin alete takılı olması gerekmektedir.

Çevrenin korunması



Ayrı olarak atın. Bu ürün, normal evsel atıklarla birlikte atılmamalıdır.

Black & Decker ürününüzün değiştirilmesi gerektiğini düşünmeniz veya artık kullanılamaz durumda olması halinde onu, evsel atıklarla birlikte atmayın. Bu ürünü, ayrı olarak toplanacak şekilde atın.



Kullanılmış ürünlerin ve ambalajların ayrı olarak toplanması bu maddelerin geri dönüşüme sokularak yeniden kullanılmasına olanak tanır. Geri dönüşümlü maddelerin tekrar kullanılmasına çevre kirliliğinin önlenmesine yardımcı olur ve ham madde ihtiyacını azaltır.

Yerel yönetmelikler, elektrikli ürünlerin evlerden toplanıp belediye atık tesislerine aktarılması veya yeni bir ürün satın alırken perakende satıcı tarafından toplanması yönünde hükümler içerebilir.

Black & Decker, hizmet ömrünün sonuna ulaşan Black & Decker ürünlerinin toplanması ve geri dönüşüme sokulması için bir imkan sunmaktadır. Bu hizmetin avantajlarından faydalanmak için, lütfen, ürününüzü bizim adıma teslim alacak herhangi bir yetkili servise iade edin.

Bu kılavuzda belirtilen listeden size en yakın yetkili tamir servisinin yerini öğrenebilirsiniz. Ya da, alternatif olarak internet'ten Black & Decker yetkili tamir servislerinin listesini ve satış sonrası hizmetlerimizle ilgili tüm bilgiler ve temas bilgilerine aşağıdaki siteden ulaşabilirsiniz: www.2helpU.com

Aküler



Hizmet ömürlerinin sonunda, aküleri çevremize gerekli özeni göstererek atın.

- ◆ Akü terminallerini kısa devre yapmayın.
- ◆ Aküyü, patlamaya ve yaralanmalarına yol açabilecek için ateşe atmayın.
- ◆ Aküyü sonuna kadar bitirip aletten çıkartın.
- ◆ Aküler geri dönüşümlüdür. Aküyü, terminallerin kısa devre yapmayacağından emin olduğunuz, uygun bir kaba yerleştirin. Aküleri, yetkili tamir servisine veya yerel geri dönüşüm istasyonuna götürün.

Teknik özellikleri

KC460LN (H1)	
Voltaj	V _{DC} 3,6
Yüksüz hızı	dev/dak 180
Tork (sert birleşim)	Nm 7,7
Maks. Tork	Nm 3,2
Matkap/tornavida ucu yuvası	mm 6,35 (1/4")
Ağırlık	kg 0,4

Akü

Voltaj	V 3,6
Akü tipi	Li-Ion
Kapasite	1,1/1,3

Şarj cihazı 905450XX

Giriş voltajı	V _{AC} 230
Çıkış voltajı	V _{DC} 9
Akım	mA 100
Yaklaşık şarj süresi	s 12
Ağırlık	kg 0,4

EN 60745'e göre ses basıncı düzeyi:

Ses basıncı (L_{PA}) 58,9 dB(A),

belirsizlik (K) 3 dB(A)

Akustik güç (L_{WA}) 69,9 dB(A),

belirsizlik (K) 3 dB(A)

EN 60745'e göre tespit edilen toplam titreşim

değerleri (üç yönün vektör toplamı):

Metalde delme (a_{h,D}) 0,979 m/s²,

belirsizlik (K) 1,5 m/s²

Darbesiz vidalama (a_{h,S}) 0,247 m/s²,

belirsizlik (K) 1,5 m/s²

AT uygunluk beyanati

MAKİNE DİREKTİFİ

CE 10

KC460LN H1

Black & Decker, «teknik özellikleri» bölümünde açıklanan bu ürünlerin aşağıda belirtilen yönergelere uygun olduğunu beyan eder: 2006/42/EC, EN 60745-1, EN 60745-2-2

Bu ürünler ayrıca 2004/108/EC ve 2011/65/EU Direktiflerine de uygundur. Daha fazla bilgi için, lütfen aşağıdaki adresten Stanley Europe ile irtibata geçin veya kılavuzun arkasına bakın.

Daha fazla bilgi için, lütfen aşağıdaki adresten Black & Decker ile irtibata geçin veya kılavuzun arkasına bakın.

Bu belge altında imzası bulunan yetkili, teknik dosyanın derlenmesinden sorumludur ve bu beyanı Black & Decker adına vermiştir.

K. Hewitt

Kevin Hewitt

Başkan Yardımcısı, Global Mühendislik
Black & Decker Europe, 210 Bath Road, Slough,
Berkshire, SL1 3YD
İngiltere
15/08/2012

Garanti

Black & Decker, ürünün kalitesinden emindir ve bu yüzden kanunlarda belirtilen taleplerin üstünde bir garanti verir. Ayrıca bu garanti hiçbir şekilde garanti ile ilgili kanuni haklarınızı ihlal etmez ve haklarınızı hiç bir şekilde kısıtlamaz. Tüm AB ve Avrupa Serbest Ticaret Bölgesi EFTA'nın üye ülkelerinde geçerlidir.

Eğer bir Black & Decker ürünü, satın alma tarihinden itibaren 24 ay içinde hatalı malzeme ve işçilik nedeniyle bozulursa, müşteriye mümkün olabilecek en az sorunu yaşatarak Black & Decker hatalı kısımları değiştirmeyi, tamir etmeyi veya hasarlı aletleri değiştirmeyi kabul eder; ancak bu belirtilenler şu durumlar dışında geçerlidir:

- ◆ Ürün ticari veya profesyonel amaçlarla kullanılmışsa veya kiraya verilmişse;
- ◆ Ürün yanlış veya amaç dışı kullanılmışsa;
- ◆ Ürün yabancı nesnelere, maddelerden veya kaza sırasında zarar görmüşse;
- ◆ Yetkili tamir servisleri veya Black & Decker servis ekibinden başkası tarafından tamir edilmeye çalışılmışsa.

Garanti talebinde bulunmak için, satıcıya veya yetkili tamir servisine satın aldığınıza dair ispat sunmalısınız. Fatura ve garanti kartı gerekmektedir. Bu kullanım kılavuzunda belirtilen listeden size en yakın yetkili servis adresini öğrenebilirsiniz. Ya da, İnternet'ten Black & Decker yetkili tamir servislerinin listesini ve satış sonrası hizmet veren yetkililerin tam detaylarını öğrenebilirsiniz. Bu site: www.2helpU.com

Sanayi ve Ticaret Bakanlığı tebliğince kullanım ömrü 10 yıldır.

Türkiye Distribütörü

KALE HIRDAVAT VE MAKİNA A.Ş.
Defterdar Mah. Savaklar Cad. No. 15
34050 Edirnekapı Eyüp İstanbul
Tel. : 0212 533 52 55
E-mail: info@kalemakina.com

Şehir	Yetkili Servis	Adres	Telefon
1 Adana	Emin Elektrik Bobinaj	Kızılay Cad. 9 Sok. No: 9/D	0322 351 80 46
2 Afyon	Emek Motor	Karaman Mah. Gazlı Göl Cad. No: 15	0272 212 11 14
3 Ağr	Tamguç Bobinaj	Kağızman Cad. No: 42	0472 215 70 41
4 Amasya	Akotec Ticaret	Yeniyoğ Cad. No: 85	0358 218 71 19
5 Ankara	Orhan Bobinaj	Yalınc Sok. No: 17 Site1er	0312 350 95 29
6 Ankara	Orhan Bobinaj Şube	41. Sok. No: 39 Ostim	0312 385 92 92
7 Ankara	Yiğit Bobinaj	668. Sok. No: 8 Eminel Koop. İvedik Ostim	0312 395 05 37
8 Ankara	Başak Elektrik	Ahievran Cad. 36. sok. No: 2 Ostim	0312 386 20 84
9 Antalya	E. B. A Elektrik	San. Sit. 682. Sok No: 38	0242 345 36 22
10 Antalya	Yaşar Bobinaj	Aşağı Pazarcı Mah. San. Girişi No: 19 Manavgat	0242 742 44 07
11 Antalya	Uslu Bobinaj	G. Pınarı Mah. Oba Yolu Üzeri no: 27/C Alanya	0242 511 57 01
12 Aydın	Tacıroğlu Kaya Bobinaj	1.San. Sit. Üst San. Cad. 2. Sok. No: 31/A	0256 212 70 48
13 Aydın	Saydam Motor	Küçük San. Sit. Çubukçu Sok. No: 2/B Söke	0256 512 81 91
14 Aydın	Özgür Bobinaj	Kuşadası San. Sit. J Blok no:13 Kuşadası	0256 622 1373
15 Aydın	Ege Bobinaj	Yeni Mah Atatürk Bul. No:206/E Didim	0256 811 05 95
16 Balıkesir	Tezger Bobinaj	Yeni San. Sit. Cumhuriyet Cad. 198/A	0266 246 23 01
17 Balıkesir	Küre Bobinaj	Atatürk Cad. No: 104 Bandırma	0266 718 46 79
18 Batman	Topız Bobinaj	Cumhuriyet Cad. 1512 Sok. No: 50	0486 214 87 70
19 Bolu	Kılıç Ticaret	Aşağı Soku San. Sit. 37.Blok No:16	0324 215 43 64
20 Bursa	Vokart Ltd. Şti.	Gazlıcazlar Cad. Eriklî Bahçe Sok. No: 7/B	0224 254 48 75
21 Çanakkale	Kısacık Bobinaj	Namlı Kemal Mah. Kaynak Sok. No: 41	0265 217 96 71
22 Çanakkale	Övralı Bobinaj	Hamdibey Mah. İstiklal Cad. No: 160 Biga	0286 316 49 66
23 Çorum	Emek Bobinaj	Küçük San. Sit. 23. Cad No: 5/C	0364 234 68 84
24 Denizli	Örşer Bobinaj	Sedef Çarşısı 9/10	0258 261 42 74
25 Diyarbakır	Cetsan Elektrik	San. Sit. Karakol Sok. No: 1	0414 237 29 04
26 Düzce	Yıldız Makina	Burhaniye Mah. Gen. Kazım Sok. No: 10	0380 514 70 56
27 Edirne	Efe Bobinaj	Küçük San. Sit. 22. Blok	0284 225 35 73
28 Edirne	Demir Bobinaj	San. Sit. 7. Blok No: 3 Keşan	0284 714 38 26
29 Elazığ	Kalender Elektrik Bobinaj	San. Sit. 11. Sok No: 46	0424 224 85 01
30 Erzurum	Ümit Elektrik Makina	San. Çarşısı 770 Sok. No: 71	0446 224 08 01
31 Erzurum	Bursan Bobinaj	San. Sit. 5. Blok No: 135	0442 242 77 28
32 Eskişehir	Escom Elektronik	Kırmızı Toprak Mah. Ali Fuat Güven Cad. No 31/A	0222 224 15 30
33 Gaziantep	Eser Bobinaj	K.S.S.A Blok 11. Cad.25. Ada No: 55 Ş.Kamil	0342 235 30 84
34 Gaziantep	Karashaşin Bobinaj	İsmet Paşa Mah. Şenyurt Cad. No: 35	0342 231 17 33
35 Hatay	Öz Kardeş Bobinaj	Yeni San. Sit. 38/A Blok No: 34	0326 221 22 91
36 Isparta	Zmir Bobinaj	Yeni San. Sit. 6 Blok No: 28	0246 223 70 11
37 İstanbul	Akel El. Servis Hizmetleri	Nato Yolu Caddesi Özgün Sok No: 1 Y.Dudullu	0218 540 53 55
38 İstanbul	Birlik Elektromekanik	Perpa Tic. Mer. B Blok Mavi Avlu Kat.4 No: 318 Ormezyanı	0212 222 94 94
39 İstanbul	Fırat Dış Ticaret	Tersane Cad. Kuthan No: 38 Kat 3 Karaköy	0212 252 93 43
40 İstanbul	Kardeşler Bobinaj	Çağlayan Mah. Sinanpaşa Cad. No: 5 Çağlayan	0212 224 97 54
41 İstanbul	Mert Elektrik	İkitemelli Örg. Demirciler San. Sit. D-2 Blok No: 280 İkitemelli	0212 549 65 78
42 İstanbul	Svs Teknik	Istasyon Cad. Gibtaş San. Sit. F Blok No: 24 Tuzla	0216 446 69 39
43 İstanbul	Tanık Makina	Bağdat Cad. Adalı Sok. No: 8 Maltepe	0216 441 05 59
44 İstanbul	Tekniker Bobinaj	Birlik San. Sit. 1. Cad. K.Dükkanlar No: 15 Beylikdüzü	0212 875 17 78
45 İstanbul	Orjinal Elektrik	Bağlar Mah. Mimar Sinan Cad.No:24 Güneşli	0212 515 67 71
46 İzmir	Birlik Bobinaj	2824 Sok. No: 18/1. San. Sit. Halkapınar	0232 458 39 42
47 İzmir	Boro Cıvata	1203/2 Sok. No: 21-B Yenisehir	0232 469 80 70
48 İzmir	Çetin Bobinaj	Cüneyt Bey Mah. İbrahim Turan Cad. No 98/A Menderes	0232 782 10 84
49 İzmir	Doruk Hirdavat	1426 Sok. No: 14 Hurdacılar Sitesi Doğanlar Bornova	0232 478 14 12
50 Karaman	Özüm Elektrik Bobinaj	Yeni San. Sit. 735. Sok. No: 2	0338 212 32 69
51 Kastamonu	Teknik Bobinaj	İnönü Mah. İnebolu Cad. No: 132	0366 212 62 26
52 Kayseri	Akın Elektrik Bobinaj	Eski San. Bölgesi 5. Cad. No: 8	0262 336 41 23
53 Kırklareli	Tanık Elektronik	K.İbrahim Mah. M.Kemal Bulvarı No: 72/C	0288 214 19 72
54 Kırklareli	Yalçın Bobinaj	Yeni San. Sit. C3 Blok No:55 Lüleburgaz	0288 412 41 97
55 Kocaeli	Efe Elektrik Bobinaj	Körfez San. Sit. 12. Blok No: 13	0262 335 18 94
56 Kocaeli	S.Orhan Mah. İlyasbey Cad.1111 Sk No: 5/1 Gebze		0262 646 92 49
57 Kocaeli	Teknik Karot	Gaziler Mah. İbrahimğa Cad. No:125 Gebze	0262 642 79 10
58 Konya	Meb. Murat Elk. Bobinaj	Karatay San. Sit. Fatih Mah. Çiçekli Sok. No: 10	0323 235 64 63
59 Konya	Sözenler Bobinaj	Fevzi Çakmak Mah. Komsan İş Merkezi Anamur 10562 Sok. No:8	0332 342 63 18
60 Kütahya	Doğan Bobinaj	Yeni San. Sit. 19. Sok: 28/1	0274 231 22 00
61 Malatya	Özer Bobinaj	Yeni San. Sit. 2. Cad. No: 95	0422 336 39 53
62 Manisa	Çavuş Bobinaj	Kurtuluş Mah. Fatih Cad. No: 44/A Soma	0236 614 13 78
63 Manisa	Uslu Bobinaj Ve Makina	Güzelyurt Mah. Kenan Evren San. Sit. 5309 Sok. No: 63/A	0236 236 33 86
64 Mersin	Şekerler Elektrik Bobinaj	Nusratiye Mah. 5005 Sok. No: 20/A	0324 330 79 98
65 Mersin	Üniversal Bobinaj	Nusratiye Mah. Çiftçiler Cad.68 Sok. No: 19	0324 233 44 29
66 Muğla	Bodrum Makina	Türkuyusu Mah.San. Sit. Ethem Demiröz Sok. No: 8 Bodrum	0252 316 28 51
67 Muğla	General Elektrik Bobinaj	Taşyaka Mah. San. Sit. 260. Sok. No: 18 Fethiye	0252 612 38 34
68 Muğla	Başaran Teknik	Beldibi Cad. Sanayi Girişi No: 5/C Marmaris	0252 419 20 29
69 Muğla	Öztürk Bobinaj	Atakent Mah. Çevreyolu Üzeri Dalaman	0252 697 64 98
70 Nevşehir	Çiftçü Soğutma	Yeni San. Sit. 8. Blok No: 28	0384 213 19 96
71 Niğde	Emek Motor	Eski San. Çarşısı 1.Blok No: 2	0388 232 83 59
72 Sakarya	Engin Elektrik Bobinaj	Maltepe Mah. Orhan Gazi Cad. Şehit Metin Akkuş Sok. No: 19	0264 291 05 67
73 Samsun	Akiş Bobinaj	Ulus Cad.San. Sit. Keresteciler Kısmı No: 40	0362 238 07 23
74 Sivas	Bayraktar Elektrik	Yeni Çarşı No: 72/C	0536 221 47 55
75 Şanlıurfa	Ay Elektrik	Samsat Kapı Aşvaroğlu Garajı No: 19	0414 215 74 76
76 Tekirdağ	Birkan Teknik	Şeyhsinan Mah. Ş.Pilot İ.Aksoy Sok. Aksoy Psj. No: 20/7-E ÇORLU	0282 654 50 91
77 Tekirdağ	Çetin Elektrik Bobinaj	100.Yıl San. Sit. 14B Blk. No: 10	0282 263 86 60
78 Tokat	Çetin Elektrik Bobinaj	San. Sit. Camii Altı No: 22	0356 214 63 07
79 Trabzon	Akçay Bobinaj Makina	Yaylacık Mah. Tosun San Sit No: 3 Akçaabat	0462 227 54 26
80 Trabzon	Makina Market	Rize Cad. No: 71 Değirmendere	0462 328 14 80
81 Uşak	Zengin Bobinaj	İslice Mah. Ürem Sok. No: 10/C	0276 227 27 46
82 Van	Özen Elektrik Bobinaj	Alçekçi Pasajı No: 41	0432 214 22 20
83 Yalova	Deniz El. Ser. Hizmetleri	Hürriyet Mah. Eski Bursa Cad. No: 39 Altınova	0226 461 22 43
84 Zonguldak	Genel Elektromotor	Çınarrett Mah.T.T.K 69 Ambarları 4. Kısım	0273 268 08 64
85 Zonguldak	Tümen Makina	Kışla Sanayi Sit. D Blok No: 17 Kdz.Ereğli	0372 323 74 97

KALE HIRDAVAT VE MAKİNA A.Ş. SERVİS MÜDÜRLÜĞÜ TEL. 0212 533 98 34

Partial support - Only parts shown available
Nur die aufgeführten teile sind lieferbar
Réparation partielle - Seules les pièces indiquées sont disponibles
Supporto parziale - Sono disponibili soltanto le parti evidenziate
Solo están disponibles las piezas listadas
So se encontram disponíveis as peças listadas
Gedeeltelijke ondersteuning - alleen de getoonde onderdelen
zijn beschikbaar

