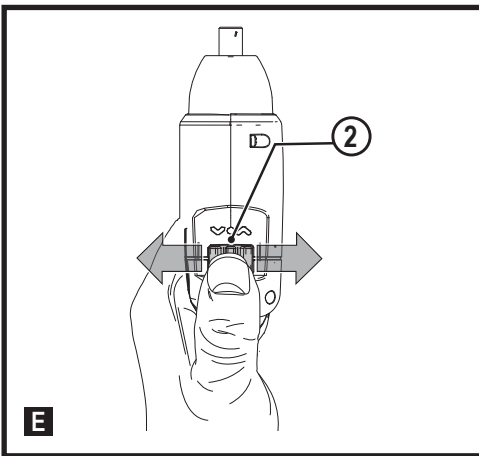
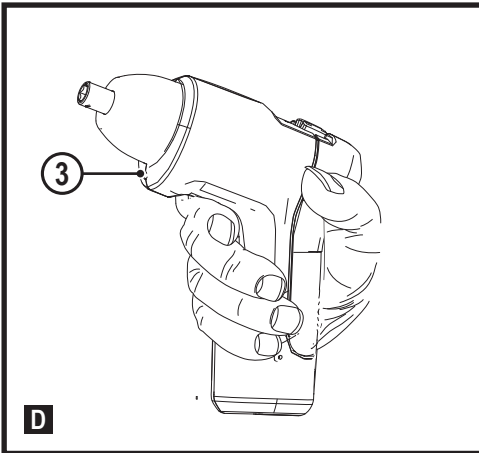
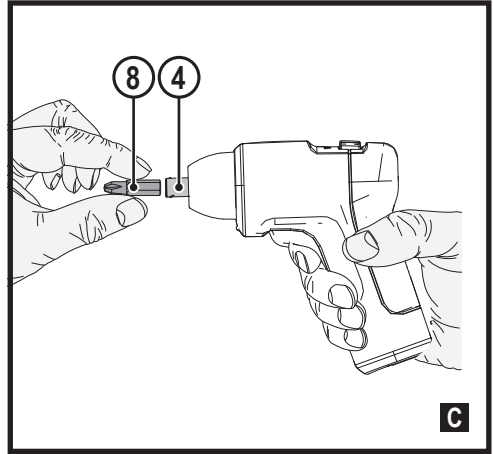
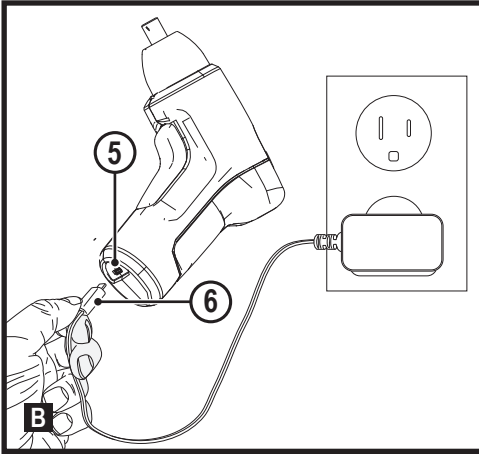


English ( <b>original instructions</b> )	3
Deutsch ( <i>übersetzt von den originalanweisungen</i> )	8
Français ( <i>traduction de la notice d'instructions originale</i> )	12
Italiano ( <i>tradotto dalle istruzioni originali</i> )	17
Nederlands ( <i>vertaald vanuit de originele instructies</i> )	21
Español ( <i>traducido de las instrucciones originales</i> )	26
Português ( <i>traduzido das instruções originais</i> )	31
Svenska ( <i>översatt från de ursprungliga instruktionerna</i> )	35
Norsk ( <i>oversatt fra de originale instruksjonene</i> )	39
Dansk ( <i>oversat fra original brugsvejledning</i> )	43
Suomi ( <i>käännetty alkuperäisestä käyttöohjeesta</i> )	48
Ελληνικά ( <i>μετάφραση από τις πρωτότυπες οδηγίες</i> )	52



### Intended use

Your BLACK+DECKER™ REVSD4C screwdriver has been designed for screwdriving applications. This tool is intended for consumer use only.

### Safety instructions

#### General power tool safety warnings

**⚠ Warning! Read all safety warnings, instructions, illustrations and specifications provided with this power tool.** Failure to follow all instructions listed below may result in electric shock, fire and/or serious injury.

Save all warnings and instructions for future reference. The term "power tool" in the warnings refers to your mains-operated (corded) power tool or battery-operated (cordless) power tool.

#### 1. Work area safety

- a. **Keep work area clean and well lit.** Cluttered or dark areas invite accidents.
- b. **Do not operate power tools in explosive atmospheres, such as in the presence of flammable liquids, gases or dust.** Power tools create sparks which may ignite the dust or fumes.
- c. **Keep children and bystanders away while operating a power tool.** Distractions can cause you to lose control.

#### 2. Electrical safety

- a. **Power tool plugs must match the outlet. Never modify the plug in any way. Do not use any adapter plugs with earthed (grounded) power tools.** Unmodified plugs and matching outlets will reduce risk of electric shock.

- b. **Avoid body contact with earthed or grounded surfaces such as pipes, radiators, ranges and refrigerators.** There is an increased risk of electric shock if your body is earthed or grounded.
- c. **Do not expose power tools to rain or wet conditions.** Water entering a power tool will increase the risk of electric shock.
- d. **If operating a power tool in a damp location is unavoidable, use a residual current device (RCD) protected supply.** Use of an RCD reduces the risk of electric shock.

### 3. Personal safety

- a. **Stay alert, watch what you are doing and use common sense when operating a power tool. Do not use a power tool while you are tired or under the influence of drugs, alcohol or medication.** A moment of inattention while operating power tools may result in serious personal injury.
- b. **Use personal protective equipment. Always wear eye protection.** Protective equipment such as a dust mask, non-skid safety shoes, hard hat, or hearing protection used for appropriate conditions will reduce personal injuries.
- c. **Prevent unintentional starting. Ensure the switch is in the off-position before connecting to power source and/or battery pack, picking up or carrying the tool.** Carrying power tools with your finger on the switch or energising power tools that have the switch on invites accidents.
- d. **Remove any adjusting key or wrench before turning the power tool on.** A wrench or a key left attached to a rotating part of the power tool may result in personal injury.
- e. **Do not overreach. Keep proper footing and balance at all times.** This enables better control of the power tool in unexpected situations.
- f. **Dress properly. Do not wear loose clothing or jewellery. Keep your hair and clothing away from moving parts.** Loose clothes, jewellery or long hair can be caught in moving parts.
- g. **If devices are provided for the connection of dust extraction and collection facilities, ensure these are connected and properly used.** Use of dust collection can reduce dust-related hazards.
- h. **Do not let familiarity gained from frequent use of tools allow you to become complacent and ignore tool safety principles.** A careless action can cause severe injury within a fraction of a second.

### 4. Power tool use and care

- a. **Do not force the power tool. Use the correct power tool for your application.** The correct power tool will do the job better and safer at the rate for which it was designed.

- b. **Do not use the power tool if the switch does not turn it on and off.** Any power tool that cannot be controlled with the switch is dangerous and must be repaired.
- c. **Disconnect the plug from the power source and/or remove the battery pack, if detachable, from the power tool before making any adjustments, changing accessories, or storing power tools.** Such preventive safety measures reduce the risk of starting the power tool accidentally.
- d. **Store idle power tools out of the reach of children and do not allow persons unfamiliar with the power tool or these instructions to operate the power tool.** Power tools are dangerous in the hands of untrained users.
- e. **Maintain power tools and accessories. Check for misalignment or binding of moving parts, breakage of parts and any other condition that may affect the power tools operation. If damaged, have the power tool repaired before use.** Many accidents are caused by poorly maintained power tools.
- f. **Keep cutting tools sharp and clean.** Properly maintained cutting tools with sharp cutting edges are less likely to bind and are easier to control.
- g. **Use the power tool, accessories and tool bits etc. in accordance with these instructions, taking into account the working conditions and the work to be performed.** Use of the power tool for operations different from those intended could result in a hazardous situation.
- h. **Keep handles and grasping surfaces dry, clean and free from oil and grease.** Slippery handles and grasping surfaces do not allow for safe handling and control of the tool in unexpected situations.

### 5. Battery tool use and care (only used for battery tools)

- a. **Use power tools only with specifically designated battery packs.** Use of any other battery packs may create a risk of injury and fire.
- b. **When battery pack is not in use, keep it away from other metal objects, like paper clips, coins, keys, nails, screws, or other small metal objects, that can make a connection from one terminal to another.** Shorting the battery terminals together may cause burns or a fire.
- c. **Under abusive conditions, liquid may be ejected from the battery; avoid contact. If contact accidentally occurs, flush with water. If liquid contacts eyes, additionally seek medical help.** Liquid ejected from the battery may cause irritation or burns.

- d. **Do not use a battery pack or tool that is damaged or modified.** Damaged or modified batteries may exhibit unpredictable behaviour resulting in fire, explosion or risk of injury.
- e. **Do not expose a battery pack or tool to fire or excessive temperature.** Exposure to fire or temperature above 130 °C may cause explosion. NOTE: The temperature „130 °C“ can be replaced by the temperature „265 °F“.
- f. **Follow all charging instructions and do not charge the battery pack or tool outside the temperature range specified in the instructions.** Charging improperly or at temperatures outside the specified range may damage the battery and increase the risk of fire.

## 6. Service

- a. **Have your power tool serviced by a qualified repair person using only identical replacement parts.** This will ensure that the safety of the power tool is maintained.
- b. **Never service damaged battery packs.** Service of battery packs should only be performed by the manufacturer or authorized service providers (only used for battery tools).

## Additional power tool safety warnings

- ◆ **Hold the power tool by insulated gripping surfaces, when performing an operation where the fastener may contact hidden wiring or its own cord.** Fasteners contacting a “live” wire may make exposed metal parts of the power tool “live” and could give the operator an electric shock.
- ◆ **Use clamps or another practical way to secure and support the work piece to a stable platform.** Holding the work by hand or against your body leaves it unstable and may lead to loss of control.
- ◆ **Before driving fasteners into walls, floors or ceilings, check for the location of wiring and pipes.**
- ◆ **The intended use is described in this instruction manual.**
- ◆ **The use of any accessory or attachment or performance of any operation with this tool other than those recommended in this instruction manual may present a risk of personal injury and/or damage to property.**

## Residual risks

The following risks are inherent to the use of saws:

- ◆ Injuries caused by touching the rotating parts.

Even with the application of the relevant safety regulations and the implementation of safety devices, certain residual risks cannot be avoided. These are:

- ◆ Impairment of hearing.

- ◆ Risk of accidents caused by the uncovered parts of the rotating saw blade.
- ◆ Risk of injury when changing the blade.
- ◆ Risk of squeezing fingers when opening the guards.
- ◆ Health hazards caused by breathing dust developed when sawing wood, especially oak, beech and MDF.

## Safety of others

- ◆ This tool is not intended for use by persons (including children) with reduced physical, sensory or mental capabilities, or lack of experience and knowledge, unless they have been given supervision or instruction concerning use of the tool by a person responsible for their safety.
- ◆ Children should be supervised to ensure that they do not play with the appliance.

## Vibration

The declared vibration emission values stated in the technical data and the declaration of conformity have been measured in accordance with a standard test method provided by EN62841 and may be used for comparing one tool with another. The declared vibration emission value may also be used in a preliminary assessment of exposure.



**Warning!** The vibration emission value during actual use of the power tool can differ from the declared value depending on the ways in which the tool is used. The vibration level may increase above the level stated.

When assessing vibration exposure to determine safety measures required by 2002/44/EC to protect persons regularly using power tools in employment, an estimation of vibration exposure should consider, the actual conditions of use and the way the tool is used, including taking account of all parts of the operating cycle such as the times when the tool is switched off and when it is running idle in addition to the trigger time.

## Labels on tool

The following symbols are shown on the tool along with the date code:



**Warning!** To reduce the risk of injury, the user must read the instruction manual.



Do not stare at operating lamp

## Additional safety instructions for batteries and chargers

### Batteries

- ◆ Never attempt to open for any reason.
- ◆ Do not expose the battery to water.
- ◆ Do not store in locations where the temperature may exceed 40 °C.

- ◆ Charge only at ambient temperatures between 10 °C and 40 °C.
- ◆ When disposing of batteries, follow the instructions given in the section "Protecting the environment".

## Chargers

- ◆ Micro usb charge lead only provided (no charger) only use with certified listed equipment.

## Features

1. On/off switch
2. Forward/reverse slider
3. LED work light
4. Bit holder
5. Charging port
- 5a. Charging indicator (not visible till plugged in)
6. USB connector

## Charging the battery (fig. A, B)

- ◆ Insert the USB connector (6) into the charging port (5).
- ◆ Plug in the charger lead to a suitable power supply.
- ◆ Leave the tool connected to the charger for 1-3 hours depending on power supply used.
- ◆ The charging indicator (5a) will illuminate during charging.
- ◆ The charging indicator (5a) will turn off once charging is complete.

## Assembly

### Fitting and removing a screwdriver bit (fig. C)

This tool uses screwdriver bits WITH a 6.35 mm hexagonal shank.

- ◆ To fit a bit, insert the bit shaft (8) into the bit holder (4).
- ◆ To remove a bit, pull the bit shaft (8) out of the bit holder (4).

## Operation

### LED work light (fig. D)

The LED work light (3) is activated automatically when the on/off switch (1) is depressed. The LED will also illuminate when the trigger is depressed and the forward/reverse slider (2) is in the locked off position (central position).

### Selecting the direction of rotation (fig. E)

For tightening screws, use forward rotation. For loosening screws use reverse rotation

- ◆ To select forward rotation, push the forward/reverse slider (2) to the forward position.
- ◆ To select reverse rotation, push the forward/reverse slider (2) to the rearward position.

- ◆ To lock the tool, set the forward/reverse slider into the centre position.

## Screwdriving

- ◆ Select forward or reverse rotation using the forward/reverse slider (2).
- ◆ To switch the tool on, press the on/off switch (1).
- ◆ To switch the tool off, release the on/off switch (1).

## Hints for optimum use

### Screwdriving

- ◆ Always use the correct type and size of screwdriver bit. If screws are difficult to tighten, try applying a small amount of washing liquid or soap as a lubricant.
- ◆ Always hold the tool and screwdriver bit in a straight line with the screw.

## Maintenance

Your BLACK+DECKER tool has been designed to operate over a long period of time with a minimum of maintenance. Continuous satisfactory operation depends upon proper tool care and regular cleaning.

Your charger does not require any maintenance apart from regular cleaning.



**Warning!** Before performing any maintenance on the tool, ensure forward/reverse slider is in the locked middle position. Unplug the charger before cleaning it.

- ◆ Regularly clean the motor housing using a damp cloth. Do not use any abrasive or solvent-based cleaner.

## Protecting the environment



Separate collection. Products and batteries marked with this symbol must not be disposed of with normal household waste.

Products and batteries contain materials that can be recovered or recycled, reducing demand for raw materials. Please recycle electrical products and batteries according to local provisions. Further information is available at [www.2helpU.com](http://www.2helpU.com)

## Technical data

REVSD4C		
Voltage	V <sub>in</sub>	3.6
No-load speed	W	180
Hard stall torque	Nm	5.5
Max. torque	Nm	5.5
Bit holder	mm	6.35

REVSD4C		
Weight	Kg	0.3
Battery		
Battery type		Li-ion
Ah rating		1.5
Level of sound pressure according to EN 62841:		
Sound pressure ( $L_{pA}$ ) 58.0 dB(A), uncertainty (K) 3 dB(A)		
Sound power ( $L_{wA}$ ) 69.0 dB(A), uncertainty (K) 3 dB(A)		
Vibration total values (triax vector sum) according to EN 62841:		
Screwdriving without impact (ah) 0.4 m/s <sup>2</sup> , uncertainty (K) 1.5 m/s <sup>2</sup>		

## EC Declaration of Conformity Machinery Directive



REVSD4C Screwdriver

Black & Decker declares that these products described under "technical data" are in compliance with:

2006/42/EC, EN62841-1:2015, EN62841-2-2:2014

For more information, please contact Black & Decker at the following address or refer to the back of the manual.

These products also comply with Directive 2014/30/EU and 2011/65/EU. The undersigned is responsible for compilation of the technical file and makes this declaration on behalf of Black & Decker.

*Patrick Diepenbach*

Patrick Diepenbach  
General Manager, Benelux  
Black and Decker,  
Egide Walschaertsstraat 14-18  
2800 Mechelen, Belgium  
20/01/2022

## Declaration of Conformity The Supply of Machinery (Safety) Regulations

2008



REVSD4C Screwdriver

Black & Decker declares that these products described under "technical data" are in compliance with:

The Supply of Machinery (Safety) Regulations, 2008, S.I. 2008/1597 (as amended),  
EN62841-1:2015, EN62841-2-2:2014

These products also conform to the following UK Regulations:  
Electromagnetic Compatibility Regulations, 2016,  
S.I.2016/1091 (as amended).

The Restriction of the Use of Certain Hazardous Substances in Electrical and Electronic Equipment Regulations 2012, S.I. 2012/3032 (as amended).

For more information, please contact Black & Decker at the following address or refer to the back of the manual.

The undersigned is responsible for compilation of the technical file and makes this declaration on behalf of Black & Decker.

*Ed Higgins*

Ed Higgins  
Director - Consumer Power Tools  
Black and Decker UK,  
270 Bath Road, Slough  
Berkshire, SL1 4DX  
England  
20/01/2022

## Guarantee

Black & Decker is confident of the quality of its products and offers consumers a 24 month guarantee from the date of purchase. This guarantee is in addition to and in no way prejudices your statutory rights. The guarantee is valid within the territories of the Member States of the European Union and the European Free Trade Area and United Kingdom.

To claim on the guarantee, the claim must be in accordance with Black & Decker Terms and Conditions and you will need to submit proof of purchase to the seller or an authorised repair agent. Terms and conditions of the Black & Decker 2 year guarantee and the location of your nearest authorised repair agent can be obtained on the Internet at [www.2helpU.com](http://www.2helpU.com), or by contacting your local Black & Decker office at the address indicated in this manual.

Please visit our website [www.blackanddecker.co.uk](http://www.blackanddecker.co.uk) to register your new Black & Decker product and receive updates on new products and special offers.

## Verwendungszweck

Ihr BLACK+DECKER™ Schraubendreher REVSD4C wurde für Schraubarbeiten entwickelt. Dieses Gerät ist nicht für den gewerblichen Einsatz vorgesehen.

## Sicherheitshinweise

### Allgemeine Sicherheitswarnungen für das Gerät



**Warnung! Beachten Sie alle Sicherheitshinweise, Anweisungen, Darstellungen und Daten, die Sie mit dem Gerät erhalten.** Wenn Sie die folgenden Anweisungen nicht beachten, kann es zu elektrischem Schlag, Feuer und/oder schweren Verletzungen kommen.

Bewahren Sie alle Warnhinweise und alle Anweisungen gut auf. Der Begriff „Gerät“ bzw. „Elektrowerkzeug“ bezieht sich auf netzbetriebene Geräte (mit Netzkabel) und auf akkubetriebene Geräte (ohne Netzkabel).

#### 1. Sicherheit im Arbeitsbereich

- a. **Halten Sie den Arbeitsbereich sauber und gut ausgeleuchtet.** Unaufgeräumte oder dunkle Bereiche begünstigen Unfälle.
- b. **Betreiben Sie Elektrowerkzeuge nicht in explosionsgefährdeten Umgebungen, in denen sich z. B. brennbare Flüssigkeiten, Gase oder Staub befinden.** Elektrowerkzeuge erzeugen Funken, die den Staub oder die Dämpfe entzünden können.
- c. **Halten Sie Kinder und Zuschauer fern, während Sie ein Elektrogerät betreiben.** Ablenkung kann dazu führen, dass Sie die Kontrolle über das Gerät verlieren.

#### 2. Elektrische Sicherheit

- a. **Der Stecker des Elektrogerätes muss in die Steckdose passen. Ändern Sie niemals den Stecker in irgendeiner Form. Verwenden Sie keinerlei Adapterstecker an geerdeten Elektrogeräten.** Unveränderte Stecker und passende Steckdosen mindern die Gefahr eines elektrischen Schlages.
- b. **Vermeiden Sie Körperkontakt mit geerdeten Flächen, wie Rohre, Radiatoren, Herde und Kühlgeräte.** Es besteht eine erhöhte Gefahr für einen elektrischen Schlag, wenn Ihr Körper geerdet ist.
- c. **Setzen Sie Elektrogeräte keinem Regen oder feuchter Umgebung aus.** Wenn Wasser in das Elektrogerät eindringt, erhöht sich die Gefahr eines elektrischen Schlages.
- d. **Wenn das Gerät in einer feuchten Umgebung verwendet werden muss, schließen Sie es unbedingt an eine Steckdose mit Fehlerstromschutzschalter (RCD) an.** Der Einsatz eines Fehlerstromschutzschalters mindert die Gefahr eines elektrischen Schlages.

#### 3. Sicherheit von Personen

- a. **Bleiben Sie wachsam, passen Sie auf, was Sie tun, und benutzen Sie Ihren gesunden Menschenverstand, wenn Sie ein Elektrowerkzeug bedienen. Benutzen Sie Elektrowerkzeuge nicht, wenn Sie müde sind oder unter dem Einfluss von Drogen, Alkohol oder Medikamenten stehen.** Ein Moment der Unachtsamkeit beim Betrieb eines Elektrogerätes kann zu schweren Verletzungen führen.
- b. **Tragen Sie persönliche Schutzausrüstung. Tragen Sie immer einen Augenschutz.** Das Tragen persönlicher Schutzausrüstung, wie Staubmaske, rutschfeste Sicherheitsschuhe, Schutzhelm oder Gehörschutz, je nach Art und Einsatz des Elektrowerkzeuges, verringert das Risiko von Verletzungen.
- c. **Vermeiden Sie unbeabsichtigtes Starten. Vergewissern Sie sich, dass das Gerät ausgeschaltet ist, bevor Sie es an eine Steckdose oder einen Akku anschließen, es hochheben oder tragen.** Wenn Sie beim Tragen des Elektrowerkzeuges den Finger am Schalter haben oder das Gerät eingeschaltet an die Stromversorgung anschließen, kann dies zu Unfällen führen.
- d. **Entfernen Sie alle Einstellschlüssel oder Werkzeuge, bevor Sie das Elektrogerät einschalten.** Werkzeuge oder Schlüssel, die an rotierenden Teilen des Elektrogerätes angebracht sind, können zu Verletzungen führen.
- e. **Vermeiden Sie eine anormale Körperhaltung. Sorgen Sie für einen sicheren Stand und halten Sie jederzeit das Gleichgewicht.** Dadurch können Sie das Elektrowerkzeug in unerwarteten Situationen besser kontrollieren.
- f. **Tragen Sie geeignete Kleidung. Tragen Sie keine weite Kleidung und keinen Schmuck. Halten Sie Ihre Haare und Kleidung von beweglichen Teilen fern.** Lose sitzende Kleidung, Schmuck oder lange Haare können sich in den beweglichen Teilen verfangen.
- g. **Wenn Geräte für den Anschluss an eine Staubabsaugung und Staubsammlung vorgesehen sind, vergewissern Sie sich, dass diese richtig angeschlossen sind und verwendet werden.** Der Einsatz von Staubsammlern kann staubbedingte Gefahren mindern.
- h. **Vermeiden Sie, durch die häufige Nutzung des Werkzeugs in einen Trott zu verfallen und Prinzipien für die Werkzeugsicherheit zu ignorieren.** Eine unachtsame Aktion kann im Bruchteil einer Sekunde zu schweren Verletzungen führen.



#### 4. Gebrauch und Pflege von Geräten

- a. **Überlasten Sie das Elektrogerät nicht. Verwenden Sie stets das richtige Werkzeug für die geplante Anwendung.** Das richtige Gerät wird die Aufgabe besser und sicherer erledigen, wenn es bestimmungsgemäß verwendet wird.
- b. **Verwenden Sie das Gerät nicht, wenn der Ein-/Ausschalter nicht funktioniert.** Ein Elektrowerkzeug, das sich nicht mehr ein- oder ausschalten lässt, ist gefährlich und muss repariert werden.
- c. **Trennen Sie den Stecker vom Netz und/oder, falls abnehmbar, den Akku vom Elektrogerät, bevor Sie Einstellungen am Gerät vornehmen, Zubehör wechseln oder es aufbewahren.** Diese Vorbeugemaßnahmen mindern die Gefahr, dass das Elektrogerät unbeabsichtigt startet. Diese Vorbeugemaßnahmen mindern die Gefahr, dass das Elektrogerät unbeabsichtigt startet.
- d. **Bewahren Sie nicht verwendete Elektrogeräte für Kinder unerreichbar auf und lassen Sie nicht zu, dass Personen ohne Erfahrung mit dem Elektrogerät oder mit diesen Anweisungen das Elektrogerät bedienen.** Elektrogeräte sind in den Händen nicht geschulter Personen gefährlich.
- e. **Halten Sie das Gerät und sein Zubehör in einem einwandfreien Zustand. Kontrollieren Sie, ob bewegliche Teile falsch ausgerichtet sind oder klemmen und ob Teile gebrochen oder so beschädigt sind, dass die Funktion des Geräts beeinträchtigt ist. Bei Beschädigungen lassen Sie das Gerät reparieren, bevor Sie es verwenden.** Viele Unfälle entstehen wegen mangelnder Wartung der Elektrogeräte.
- f. **Halten Sie Schneidwerkzeuge scharf und sauber.** Richtig gewartete Schneidwerkzeuge mit scharfen Klingen blockieren seltener und sind leichter unter Kontrolle zu halten.
- g. **Verwenden Sie Elektrogeräte, Zubehör und Einsätze (Bits) usw. gemäß diesen Anweisungen und unter Berücksichtigung der Arbeitsbedingungen und der Aufgabe.** Wenn Sie das Elektrogerät für Aufgaben verwenden, die nicht bestimmungsgemäß sind, kann dies zu gefährlichen Situationen führen.
- h. **Halten Sie die Griffe trocken, sauber und frei von Öl und Fett.** Rutschige Griffe und Oberflächen unterbinden die sichere Bedienbarkeit und Kontrolle über das Werkzeug in unerwarteten Situationen.

#### 5. Gebrauch und Pflege von Akkuwerkzeugen (nur für Akkuwerkzeuge verwenden)

- a. **Verwenden Sie nur die für das jeweilige Gerät vorgesehenen Akkus.** Die Verwendung anderer Akkus kann zu Verletzungen oder Bränden führen.

- b. **Bewahren Sie den Akku bei Nichtbenutzung nicht in der Nähe metallischer Objekte wie Büroklammern, Münzen, Schlüsseln, Nägeln oder Schrauben auf, da diese eine Verbindung zwischen beiden Polen des Akkus herstellen können.** Durch den dadurch entstehenden Kurzschluss kann der Akku in Brand geraten.
- c. **Bei falscher Anwendung kann Flüssigkeit aus dem Akku austreten. Vermeiden Sie den Kontakt damit. Bei unbeabsichtigtem Kontakt mit Wasser abspülen. Gelangt die Flüssigkeit in die Augen, ziehen Sie außerdem ärztliche Hilfe hinzu.** Austretende Akkufflüssigkeit kann zu Hautreizungen oder Verbrennungen führen.
- d. **Verwenden Sie keine Akkus oder Werkzeuge, die beschädigt sind oder modifiziert wurden.** Beschädigte oder modifizierte Akkus können sich unvorhersehbar verhalten und stellen ein Risiko von Feuer, Explosionen oder Verletzungen dar.
- e. **Setzen Sie Akkus und Werkzeuge keinem Feuer oder extremen Temperaturen aus.** Die Einwirkung von Feuer oder Temperaturen über 130°C kann zu Explosionen führen. HINWEIS: Die Temperaturangabe „130 °C“ kann durch die Temperaturangabe „265 °F“ ersetzt werden.
- f. **Befolgen Sie alle Anweisungen zum Aufladen und laden Sie den Akku oder das Werkzeug nicht jenseits des in der Anleitung angegebenen Temperaturbereichs auf.** Das falsche Aufladen oder das Aufladen bei Temperaturen jenseits des angegebenen Bereichs kann den Akku beschädigen und das Brandrisiko erhöhen.

#### 6. Service

- a. **Lassen Sie Ihr Elektrowerkzeug nur von qualifiziertem Fachpersonal und nur mit Original-Ersatzteilen reparieren.** Damit wird sichergestellt, dass die Sicherheit des Gerätes erhalten bleibt.
- b. **Führen Sie an beschädigten Akkus niemals Wartungsarbeiten durch.** Die Wartung von Akkus darf nur vom Hersteller oder von autorisierten Dienstleistern durchgeführt werden (nur für Akkuwerkzeuge verwenden).

#### Zusätzliche Sicherheitswarnungen für das Gerät

- ◆ **Halten Sie das Gerät an den isolierten Griffflächen fest, wenn Sie Arbeiten ausführen, bei denen verdeckte Kabel oder das eigene Gerätekabel beschädigt werden könnten.** Der Kontakt mit stromführenden Leitungen kann auch offen liegende Metallteile am Gerät unter Strom setzen und zu einem Stromschlag führen.
- ◆ **Sichern Sie das Werkstück zum Beispiel mit Einspannvorrichtungen auf einer stabilen Plattform.**

Das Werkstück ist instabil, wenn es mit der Hand oder dem Körper abgestützt wird, was zum Verlust der Kontrolle führen kann.

- ◆ **Bevor Sie Befestigungsgegenstände in Wänden, Fußböden oder Decken einsetzen, prüfen Sie diese Stellen auf dahinter liegende Kabel oder Rohre.**
- ◆ **Die bestimmungsgemäße Verwendung ist in dieser Betriebsanleitung beschrieben.**
- ◆ **Die Verwendung von Zubehör- oder Anbauteilen, die nicht in dieser Anleitung empfohlen werden, sowie die Bedienung des Geräts in Abweichung von den in dieser Anleitung beschriebenen Verfahren können zu Verletzungen und/oder Sachschäden führen.**

## Restrisiken

Folgende Risiken sind mit der Verwendung von Sägen untrennbar verbunden:

- ◆ Verletzungen durch Berühren rotierender Teile.

Auch bei der Einhaltung der entsprechenden Sicherheitsvorschriften und der Verwendung aller Sicherheitsgeräte bestehen weiterhin bestimmte Restrisiken. Diese sind:

- ◆ Schwerhörigkeit.
- ◆ Verletzungsgefahr am nicht abgedeckten Bereich des rotierenden Sägeblatts.
- ◆ Verletzungsgefahr beim Austausch des Messers.
- ◆ Quetschen der Finger beim Öffnen der Schutzabdeckungen.
- ◆ Gesundheitsgefährdung durch Einatmen von Staub, der beim Sägen von Holz entsteht, insbesondere Eiche, Buche und MDF.

## Sicherheit anderer Personen

- ◆ Dieses Gerät darf nicht von Personen (einschließlich Kindern) mit eingeschränkten körperlichen, sensorischen oder geistigen Fähigkeiten oder mangelnder Erfahrung und Wissen in Bezug auf dessen Gebrauch bedient werden, es sei denn, sie werden bei der Verwendung des Geräts von einer erfahrenen Person beaufsichtigt oder angeleitet.
- ◆ Lassen Sie nicht zu, dass Kinder mit dem Gerät spielen.

## Vibration

Die in den Abschnitten „Technische Daten“ und „EU-Konformitätserklärung“ angegebenen Werte für die Vibrationsemission wurden mit einer Standard-Prüfmethode nach EN62841 ermittelt und können zum Vergleich verschiedener Geräte herangezogen werden. Außerdem kann mit Hilfe dieses Werts die Belastung bei Verwendung des Geräts schon im Voraus eingeschätzt werden.



**Warnung!** Die bei Verwendung des Geräts auftretende Vibrationsemission hängt von der Art des Gerätegebrauchs ab und kann dementsprechend von dem angegebenen Wert abweichen. Gegebenenfalls kann die Vibration über dem angegebenen Wert liegen.

Für die Ermittlung der Vibrationsbelastung müssen die tatsächlichen Einsatzbedingungen und Verwendungen des Geräts während des gesamten Arbeitsgangs berücksichtigt werden, einschließlich der Zeiten, wenn das Gerät nicht verwendet oder im Leerlauf betrieben wird. Diese Werte werden benötigt, um die gemäß 2002/44/EG erforderlichen Sicherheitsmaßnahmen zum Schutz von Personen festlegen zu können.

## Etiketten am Werkzeug

Am Gerät sind die folgenden Warnsymbole inkl. Datumcode angebracht:



**Warnung!** Lesen Sie vor Gebrauch die Anleitung. Andernfalls besteht Verletzungsgefahr.



Blicken Sie nicht in die eingeschaltete Leuchte

## Zusätzliche Sicherheitshinweise für Akkus und Ladegeräte

### Akkus

- ◆ Keinesfalls versuchen, den Akku zu öffnen.
- ◆ Achten Sie darauf, dass der Akku nicht mit Wasser in Berührung kommt.
- ◆ Nicht bei Temperaturen über 40 °C lagern.
- ◆ Laden Sie den Akku ausschließlich bei Umgebungstemperaturen zwischen 10 °C und 40 °C.
- ◆ Beachten Sie bei der Entsorgung von Batterien und Akkus die Hinweise im Abschnitt "Umweltschutz".

### Ladegeräte

- ◆ Im Lieferumfang ist nur ein Mikro-USB-Ladekabel enthalten (kein Ladegerät); verwenden Sie es nur mit den zertifizierten, aufgeführten Ladegeräten.

### Merkmale

1. Ein-/Aus-Schalter
2. Vor-/Zurückwahlschalter
3. LED-Arbeitsleuchte
4. Einsatzhalter
5. Ladeanschluss
- 5a. Ladestandsanzeige (erst sichtbar, wenn das Gerät eingesteckt wurde)
6. USB-Stecker

## Laden der Batterie (Abb. A, B)

- Verbinden Sie den USB-Stecker (6) mit dem Ladeanschluss (5).
- Stecken Sie das Ladekabel in eine passende Stromversorgung.
- Je nach verwendeter Stromversorgung dauert es 1-3 Stunden, bis der Akku vollständig aufgeladen ist.
- Die Ladestandsanzeige (5a) leuchtet während des Ladevorgangs.
- Die Ladestandsanzeige (5a) geht aus, sobald der Ladevorgang abgeschlossen ist.

## Montage

### Einsetzen und Entfernen eines Schraubendrehereinsatzes (Abb. C)

Für dieses Gerät müssen Schraubendrehereinsätze mit einem Sechskantschaft von 6,35 mm Größe verwendet werden.

- Um einen Einsatz anzubringen, stecken Sie den Schaft des Einsatzes (8) in den Einsatzhalter (4) ein.
- Um einen Einsatz zu entfernen, ziehen Sie den Schaft des Einsatzes (8) vollständig aus dem Einsatzhalter (4) heraus.

## Betrieb

### LED-Arbeitsleuchte (Abb. D)

Die LED-Arbeitsleuchte (3) wird beim Drücken des Ein-/Aus-Schalters (1) automatisch aktiviert. Die LED leuchtet auch auf, wenn der Auslöser gedrückt wird und der Vor-/Zurückwahlschalter (2) sich in der verriegelten (mittleren) Stellung befindet.

### Auswählen der Drehrichtung (Abb. E)

Verwenden Sie zum Anziehen von Schrauben die Vorwärtsdrehung. Verwenden Sie zum Lösen von Schrauben die Rückwärtsdrehung.

- Drücken Sie den Vor-/Zurückwahlschalter (2) in die vordere Stellung, um die Vorwärtsdrehung einzustellen.
- Drücken Sie den Vor-/Zurückwahlschalter (2) in die hintere Stellung, um die Rückwärtsdrehung einzustellen.
- Bewegen Sie den Vor-/Zurückwahlschalter in die mittlere Stellung, um das Gerät zu sperren.

## Schraubarbeiten

- Wählen Sie mithilfe des Vor-/Zurückwahlschalters (2) die Vorwärts- bzw. Rückwärtsdrehung aus.
- Drücken Sie zum Einschalten des Geräts den Ein-/Ausschalter (1).
- Lassen Sie zum Ausschalten des Gerätes den Ein-/Ausschalter (1) los.

## Hinweise für optimale Arbeitsergebnisse

### Schraubarbeiten

- Verwenden Sie stets Schraubendrehereinsätze der richtigen Art und Größe. Sollten beim Festziehen von Schrauben Schwierigkeiten auftreten, verwenden Sie etwas Spülmittel oder Seife als Schmiermittel.
- Halten Sie das Gerät und den Schraubendrehereinsatz stets in gerader Linie zur Schraube.

### Wartung

Ihr BLACK+DECKER-Gerät wurde im Hinblick auf eine lange Lebensdauer und einen möglichst geringen Wartungsaufwand entwickelt. Ein kontinuierlicher, zufriedenstellender Betrieb hängt von der richtigen Pflege des Gerätes und seiner regelmäßigen Reinigung ab.

Das Ladegerät benötigt keine Wartung, es sollte jedoch regelmäßig gereinigt werden.



**Warnung!** Vergewissern Sie sich vor der Durchführung von Wartungsarbeiten am Werkzeug, dass der Vor-/Zurückwahlschalter in der mittleren Position gesichert ist. Ziehen Sie den Stecker des Ladegeräts ab, bevor Sie es reinigen.

- Reinigen Sie das Motorgehäuse regelmäßig mit einem feuchten Tuch. Verwenden Sie keine scheuernden Reinigungsmittel oder Reinigungsmittel auf Lösungsmittelbasis.

### Umweltschutz



Getrennte Entsorgung. Produkte und Akkus mit diesem Symbol dürfen nicht mit dem normalen Hausmüll entsorgt werden.

Produkte und Akkus enthalten Materialien, die wiederverwertet werden können, um den Bedarf an Rohstoffen zu verringern. Bitte recyceln Sie elektrische Produkte und Akkus gemäß den örtlichen Bestimmungen. Weitere Informationen finden Sie auf [www.2helpU.com](http://www.2helpU.com)

### Technische Daten

REVSD4C		
Spannung	V <sub>s</sub>	3,6
Leerlaufdrehzahl	W	180
Kippmoment	Nm	5,5
Max. Drehmoment	Nm	5,5
Einsatzhalter	mm	6,35
Gewicht	Kg	0,3

Akku		
Akkutyp		Li-Ionen
Ah (Nennwert)		1,5

Schalldruckpegel gemäß EN 62841:		
Schalldruck ( $L_{pA}$ )	58,0 dB(A), Unsicherheitsfaktor (K)	3 dB(A)
Schalleistung ( $L_{WA}$ )	69,0 dB(A), Unsicherheitsfaktor (K)	3 dB(A)

Gesamtvibration (Triax-Vektorsumme) gemäß EN 62841:		
Schraubarbeiten ohne Schlagfunktion (ah)	0,4 m/s <sup>2</sup> , Unsicherheitsfaktor (K)	1,5 m/s <sup>2</sup>

## EG-Konformitätserklärung Maschinenrichtlinie



REVSD4C Schraubendreher

Black & Decker erklärt, dass die in den technischen Daten beschriebenen Geräte übereinstimmen mit:

2006/42/EC, EN62841-1:2015, EN62841-2-2:2014

Weitere Informationen erhalten Sie von Black & Decker unter der folgenden Adresse. Diese befindet sich auch auf der Rückseite dieser Anleitung.

Diese Produkte entsprechen außerdem den Richtlinien 2014/30/EU und 2011/65/EU. Der Unterzeichnete ist verantwortlich für die Zusammenstellung der technischen Daten und gibt diese Erklärung im Namen von Black & Decker ab.

*Patrick Diepenbach*

Patrick Diepenbach  
General Manager, Benelux  
Black and Decker,  
Egide Walschaertsstraat 14-18  
2800 Mechelen, Belgien  
20/01/2022

## Garantie

Black & Decker vertraut auf die Qualität der eigenen Geräte und bietet dem Käufer eine außergewöhnliche Garantie von 24 Monaten ab Kaufdatum. Diese Garantie versteht sich unbeschadet der gesetzlichen Gewährleistungsansprüche und schränkt diese keinesfalls ein. Diese Garantie gilt innerhalb der Staatsgebiete der Mitgliedstaaten der Europäischen Union und der Europäischen Freihandelszone und des Vereinigten Königreichs.

Zur Inanspruchnahme dieser Garantie muss sie den allgemeinen Geschäftsbedingungen von Black & Decker entsprechen und dem Verkäufer bzw. der Vertragswerkstatt ist ein Kaufnachweis vorzulegen. Die Bedingungen für die 2-jährige Garantie von Black & Decker und den Standort Ihrer nächstgelegenen Vertragswerkstatt finden Sie im Internet unter [www.2helpU.com](http://www.2helpU.com) oder indem Sie sich an die lokale Black & Decker-Niederlassung wenden, deren Adresse Sie in dieser Anleitung finden.

Ihr neues Black & Decker-Produkt können Sie auf unserer Website unter [www.blackanddecker.de](http://www.blackanddecker.de) registrieren. Dort erhalten Sie auch Informationen über neue Produkte und Sonderangebote.

(Traduction des instructions  
initiales)

FRANÇAIS

## Utilisation prévue

Votre tournevis BLACK+DECKER™ REVSD4C a été conçu pour les travaux de vissage. Cet outil est destiné à un usage grand public uniquement.

## Consignes de sécurité

### Avertissements de sécurité générale propres aux outils électriques



**Avertissement ! Veuillez à lire tous les avertissements de sécurité, toutes les instructions, toutes les illustrations et toutes les spécifications fournies avec cet outil électrique.**

Le non-respect de toutes les instructions listées ci-dessous peut entraîner des décharges électriques, des incendies et/ou de graves blessures.

Conservez tous les avertissements et toutes les instructions afin de pouvoir vous y référer dans le futur. Le terme "outil électrique" mentionné dans les avertissements fait référence à vos outils électriques branchés sur secteur (avec câble) ou fonctionnant sur pile ou batterie (sans fil).

### 1. Sécurité de la zone de travail

- Gardez la zone de travail propre et bien éclairée.**  
Les zones sombres ou encombrées sont propices aux accidents.
- N'utilisez pas d'outils électriques dans un environnement présentant des risques d'explosion ou en présence de liquides, gaz ou poussières inflammables.** Les outils électriques créent des étincelles qui peuvent enflammer les poussières et les fumées.
- Maintenez les enfants et les autres personnes à l'écart lorsque les outils électriques sont en marche.** Toute distraction peut vous faire perdre le contrôle de l'outil.

## 2. Sécurité électrique

- a. **Les prises des outils électriques doivent correspondre à la prise de courant murale. Ne modifiez jamais la prise d'aucune sorte. N'utilisez aucun adaptateur avec des outils électriques reliés à la terre.** L'utilisation de prises d'origine et de prises murales appropriées permet de réduire le risque de décharge électrique.
- b. **Évitez tout contact physique avec des surfaces reliées à la terre comme des tuyaux, des radiateurs, des fours et des réfrigérateurs par exemple.** Le risque de décharge électrique augmente si votre corps est relié à la terre.
- c. **N'exposez pas les outils électriques à la pluie, ni à l'humidité.** Le risque de décharge électrique augmente si de l'eau pénètre dans un outil électrique.
- d. **Si l'utilisation d'un outil électrique dans un endroit humide est inévitable, utilisez une alimentation électrique protégée par un disjoncteur différentiel à courant résiduel (DDR).** L'utilisation d'un DDR réduit le risque de décharge électrique.

## 3. Sécurité des personnes

- a. **Restez vigilant. Soyez concentré sur ce que vous faites et faites preuve de bon sens chaque fois que vous utilisez un outil électrique. N'utilisez pas d'outils électriques quand vous êtes fatigué ou sous l'influence de drogues, d'alcool ou de médicaments.** Tout moment d'inattention pendant l'utilisation d'un outil électrique peut engendrer de graves blessures.
- b. **Portez des équipements de protection individuelle. Portez toujours une protection oculaire.** Les équipements de protection comme les masques à poussière, les chaussures de sécurité antidérapantes, les casques ou les protections auditives utilisés à bon escient réduisent le risque de blessures.
- c. **Empêchez le démarrage non intentionnel. Assurez-vous que l'interrupteur est en position Arrêt avant de raccorder l'outil à l'alimentation électrique et/ou au bloc-batterie ou avant de ramasser ou de transporter l'outil.** Le fait de transporter les outils électriques le doigt sur l'interrupteur ou d'alimenter les outils électriques dont l'interrupteur est déjà en position Marche augmente les accidents.
- d. **Retirez toutes les clés ou pinces de réglage avant de mettre l'outil en marche.** Une clé ou une pince restée fixée sur une pièce rotative de l'outil électrique peut entraîner des blessures.

- e. **Ne vous penchez pas. Gardez les pieds bien ancrés au sol et conservez votre équilibre en permanence.** Cela permet de mieux maîtriser l'outil électrique en cas de situations imprévues.
- f. **Portez des vêtements appropriés. Ne portez aucuns vêtements amples, ni bijoux. Gardez vos cheveux et vos vêtements à l'écart des pièces mobiles.** Les vêtements amples, les bijoux ou les cheveux longs peuvent être happés par les pièces mobiles.
- g. **Si vous disposez de dispositifs pour l'extraction et la récupération des poussières, veillez à ce qu'ils soient correctement raccordés et utilisés.** L'utilisation de dispositifs récupérateurs de poussière réduit les risques liés aux poussières.
- h. **Ne pensez pas être à ce point familiarisé avec l'outil après l'avoir utilisé à de nombreuses reprises, au point de ne plus rester vigilant et d'en oublier les consignes de sécurité.** Toute action imprudente peut entraîner de graves blessures en une fraction de seconde.

## 4. Utiliser et entretenir un outil électrique

- a. **Ne sur-sollicitez pas l'outil électrique. Utilisez le bon outil électrique, adapté à la tâche à réaliser.** Un outil adapté fonctionne mieux, de façon plus sûre et à la cadence pour laquelle il a été conçu.
- b. **N'utilisez pas l'outil électrique si l'interrupteur ne permet plus de le mettre en marche et de l'éteindre.** Tout appareil électrique qui ne peut plus être commandé par son interrupteur est dangereux et il doit être réparé.
- c. **Débranchez la prise du secteur et/ou retirez le bloc-batterie de l'outil électrique s'il est amovible, avant d'effectuer tout réglage, de changer un accessoire ou de ranger l'outil électrique.** Ces mesures de précaution permettent de réduire le risque que l'outil électrique soit mis en marche accidentellement.
- d. **Rangez les outils électriques non utilisés hors de portée des enfants et ne laissez aucune personne ne connaissant pas ces outils ou leurs instructions d'utilisation les faire fonctionner.** Les outils électriques peuvent être dangereux entre des mains inexpérimentées.
- e. **Veillez à bien entretenir vos outils électriques et leurs accessoires. Vérifiez que les pièces mobiles sont alignées correctement et qu'elles ne sont pas coincées. Vérifiez qu'aucune pièce n'est cassée et contrôlez l'absence de toute autre condition qui pourrait nuire au bon fonctionnement de l'outil. En cas de dommage, faites réparer l'outil électrique avant de le réutiliser.** De nombreux accidents sont provoqués par des outils électriques mal entretenus.

**f. Maintenez les organes de coupe affûtés et propres.** Des organes de coupe bien entretenus dont le tranchant est affûté sont moins susceptibles de rester coincés et sont plus faciles à maîtriser.

**g. Utilisez l'outil électrique, les accessoires et les embouts d'outils conformément à ces instructions, en tenant compte des conditions de travail et de la tâche à effectuer.** L'utilisation d'un outil électrique à d'autres fins que celles pour lesquelles il a été prévu peut entraîner des situations dangereuses.

**h. Maintenez toutes les poignées et surfaces de préhension sèches, propres et exemptes d'huile et de graisse.** Des poignées et des surfaces de préhension glissantes ne permettent pas de manipuler et de maîtriser l'outil correctement en cas de situations inattendues.

## 5. Utiliser et entretenir un outil fonctionnant sur batterie (ne concerne que les outils fonctionnant sur batterie)

- a. N'utilisez l'outil électrique qu'avec les blocs-batteries spécifiquement prévus.** L'utilisation d'un autre bloc-batterie peut créer un risque de blessures et d'incendie.
- b. Quand le bloc-batterie n'est pas utilisé, éloignez-le des objets métalliques comme les trombones, les pièces, les clés, les clous, les vis ou les autres petits objets qui pourraient créer un contact entre les deux bornes.** La mise en court-circuit des bornes d'une batterie peut provoquer des brûlures ou un incendie.
- c. Dans des conditions extrêmes, du liquide peut être éjecté de la batterie. Évitez tout contact. En cas de contact accidentel, rincez à l'eau. En cas de contact avec les yeux, consultez en plus un médecin.** Le liquide sortant de la batterie peut provoquer des irritations ou des brûlures.
- d. N'utilisez jamais un bloc-batterie ou un outil qui est endommagé ou qui a été modifié.** Les batteries endommagées ou modifiées peuvent avoir un comportement imprévisible qui peut conduire à un incendie, une explosion ou à un risque de blessure.
- e. N'exposez pas le bloc-batterie ou l'outil au feu ou à des températures excessives.** L'exposition au feu ou à des températures dépassant 130 °C peut provoquer une explosion. REMARQUE : La température «130 °C» peut être remplacée par la température «265 °F».
- f. Respectez toutes les instructions liées à la charge et ne rechargez pas le bloc-batterie ou l'outil en dehors de la plage de températures spécifiée dans les instructions.**

Une charge mal effectuée ou à des températures hors de la plage spécifiée peut endommager le bloc-batterie et augmenter le risque d'incendie.

## 6. Révision/Réparation

- a. Faites réviser/réparer votre outil électrique par une personne qualifiée, n'utilisant que des pièces de rechange d'origine.** Cela permet de garantir la sûreté de l'outil électrique.
- b. Ne réparez jamais un bloc-batterie endommagé.** Les réparations sur les blocs-batteries ne doivent être effectuées que par le fabricant ou l'un de ses prestataires de services agréés (ne concerne que les outils fonctionnant sur batterie).

## Avertissements supplémentaires liés à la sécurité, propres aux outils électriques

- ◆ **Tenez l'outil électrique par ses surfaces de préhension isolées pendant les opérations au cours desquelles la fixation peut entrer en contact avec des fils électriques cachés ou son propre cordon.** Tout contact d'une fixation avec un fil sous tension peut mettre les parties métalliques exposées de l'outil sous tension et provoquer une décharge électrique à l'utilisateur.
- ◆ **Utilisez des colliers de serrage ou tout autre moyen pratique pour fixer et soutenir l'ouvrage sur une plateforme stable.** Tenir l'ouvrage à la main ou contre votre corps le rend instable et peut conduire à une perte de contrôle.
- ◆ **Avant de visser des fixations dans les murs, les planchers ou les plafonds, vérifiez l'emplacement des éventuels câbles et tuyaux.**
- ◆ **L'utilisation prévue est décrite dans ce manuel d'utilisation.**
- ◆ **L'utilisation d'un accessoire ou d'un équipement non recommandé et l'utilisation de cet appareil à d'autres fins que celles recommandées dans cette notice d'utilisation peut entraîner des blessures et/ou des dommages matériels.**

## Risques résiduels

Les risques suivants sont inhérents à l'utilisation des scies :

- ◆ Les blessures dues contact avec des pièces en rotation.
- Malgré la mise en œuvre des normes de sécurité applicables et la présence de dispositifs de sécurité, certains risques résiduels ne peuvent être évités. Ils comprennent :
- ◆ Les troubles de l'ouïe.
  - ◆ Les risques d'accidents dus aux parties non protégées de la lame de scie en rotation.
  - ◆ Le risque de blessure lors du remplacement de la lame.
  - ◆ Le risque de se coincer les doigts à l'ouverture des carters de protection.



- ♦ Les risques sanitaires provoqués par l'inhalation des poussières émises quand vous sciez du bois, notamment le chêne, le hêtre et les panneaux de fibre MDF.

## Sécurité des personnes

- ♦ Cet outil ne peut pas être utilisé par des personnes (y compris des enfants) ayant des capacités physiques, sensorielles ou mentales réduites, ou celles manquant d'expérience et de connaissances, à moins qu'elles ne soient encadrées ou qu'elles n'aient été formées à l'utilisation de l'outil par une personne responsable de leur sécurité.
- ♦ Les enfants doivent être surveillés pour garantir qu'ils ne jouent pas avec l'appareil.

## Vibrations

La valeur des émissions de vibrations déclarée dans les caractéristiques techniques et la déclaration de conformité a été mesurée conformément à la méthode de test normalisée établie par la norme EN62841 et elle peut être utilisée pour comparer un outil à un autre. La valeur des vibrations émises déclarée peut aussi être utilisée pour une évaluation préliminaire à l'exposition.



**Avvertissement !** En fonction de la manière dont l'outil est utilisé, la valeur réelle des vibrations émises pendant son utilisation peut différer de la valeur déclarée. Le niveau des vibrations peut dépasser le niveau déclaré.

Quand l'exposition aux vibrations est évaluée afin de déterminer les mesures de sécurité requises par la norme 2002/44/CE pour protéger les personnes utilisant régulièrement des outils électriques, l'estimation de l'exposition aux vibrations doit tenir compte des conditions réelles d'utilisation et de la façon dont l'outil est utilisé. Il faut également tenir compte de toutes les composantes du cycle de fonctionnement comme les durées pendant lesquelles l'outil est arrêté et quand il fonctionne au ralenti, ainsi que la durée du déclenchement.

## Étiquettes apposées sur l'outil

Les symboles suivant figurent sur l'outil avec le code date :



**Avvertissement !** Afin de réduire le risque de blessures, l'utilisateur doit lire le manuel d'utilisation.



Ne regardez pas directement la lampe allumée

## Consignes de sécurité supplémentaires propres aux batteries et aux chargeurs

### Batteries

- ♦ Ne tentez de les ouvrir sous aucun prétexte.
- ♦ N'exposez pas la batterie à l'eau.

- ♦ Ne la rangez pas dans des endroits où la température peut dépasser 40 °C.
- ♦ Ne procédez à la charge qu'à une température ambiante comprise entre 10 °C et 40 °C.
- ♦ Au moment de jeter les batteries, respectez les instructions mentionnées dans la section "Protection de l'environnement".

## Chargeurs

- ♦ Câble de charge micro USB fourni uniquement (aucun chargeur) à utiliser avec les équipements certifiés répertoriés.

## Caractéristiques

1. Interrupteur Marche/Arrêt
2. Curseur de réglage du sens de rotation
3. Éclairage de travail à LED
4. Porte-embout
5. Port de charge
- 5a. Témoin de charge (invisible tant qu'il n'est pas branché)
6. Connecteur USB

## Charger la batterie (Fig. A, B)

- ♦ Insérez la prise USB (6) dans le port de charge (5).
- ♦ Branchez le câble de charge dans une prise de d'alimentation adaptée.
- ♦ Laissez l'outil branché au chargeur 1 à 3 heures en fonction de l'alimentation électrique utilisée.
- ♦ Le voyant de charge (5a) est allumé pendant la charge.
- ♦ Le voyant de charge (5a) s'éteint une fois la charge terminée.

## Assemblage

### Installer et retirer un embout de tournevis (Fig. C)

Cet outil utilise des embouts de tournevis AVEC tige hexagonale de 6,35 mm.

- ♦ Pour installer un embout insérez la tige (8) dans le porte-embout (4).
- ♦ Pour retirer un embout, tirez la tige (8) hors du porte-embout (4).

## Utilisation

### Éclairage de travail LED (Fig. D)

L'éclairage de travail (3) s'allume automatiquement lorsque l'interrupteur Marche/Arrêt (1) est enfoncé. La lampe LED s'allume aussi lorsque la gâchette est enfoncée et que le curseur de sélection du sens de rotation (2) est en position de déverrouillage (position centrale).

### Sélectionner le sens de rotation (Fig. E)

Pour visser des vis, utilisez le sens de rotation avant.

Pour desserrer des vis, utilisez le sens de rotation inverse

- Pour sélectionner le sens de rotation avant, poussez le curseur de réglage du sens de rotation (2) vers l'avant.
- Pour sélectionner le sens de rotation inverse, poussez le curseur de sélection du sens de rotation (2) vers l'arrière.
- Pour verrouiller l'outil, placez le curseur de sélection du sens de rotation au centre.

### Vissage/Dévisage

- Sélectionnez le sens de rotation à l'aide du curseur de sélection du sens de rotation avant/arrière (2).
- Pour mettre l'outil en marche, appuyez sur le l'interrupteur Marche/Arrêt (1).
- Pour éteindre l'outil, relâchez le bouton marche/arrêt (1).

### Conseils pour une utilisation optimale

#### Vissage/Dévisage

- Choisissez toujours un embout de tournevis de type et de taille appropriés. Si le serrage est difficile, enduisez la vis d'une petite quantité de liquide vaisselle ou de savon comme lubrifiant.
- Alignez toujours l'outil et l'embout du tournevis avec la vis.

### Maintenance

Votre outil BLACK+DECKER a été conçu pour fonctionner longtemps avec un minimum d'entretien. Le fonctionnement continu et satisfaisant de l'outil dépend de son bon entretien et de son nettoyage régulier.

Votre chargeur ne nécessite aucun entretien particulier, à l'exception d'un nettoyage régulier.



**Avertissement** ! Avant de réaliser toute opération de maintenance sur l'outil, veillez à ce que le curseur de sélection du sens de rotation soit sur la position centrale de verrouillage. Débranchez le chargeur avant de le nettoyer.

- Nettoyez régulièrement le bloc-moteur à l'aide d'un chiffon humide. N'utilisez pas de détergents abrasifs ou à base de solvants.

### Protection de l'environnement



Tri sélectif. Les produits et piles/batteries marqués de ce symbole ne doivent pas être jetés avec les déchets ménagers.

Les produits et les piles/batteries contiennent des matières qui peuvent être récupérées et recyclées afin de réduire la demande en matières premières.

Veillez à recycler les produits électriques et les piles/batteries conformément aux prescriptions locales en vigueur. Pour plus d'informations, consultez le site [www.2helpU.com](http://www.2helpU.com)

### Caractéristiques techniques

REVSD4C		
Tension	V <sub>cc</sub>	3,6
Vitesse à vide	W	180
Couple statique	Nm	5,5
Couple maxi	Nm	5,5
Porte-mèche	mm	6,35
Poids	Kg	0,3

Batterie		
Type de piles		Li-ion
Intensité Ah		1,5

Niveau de pression sonore selon la norme EN 62841 :	
Pression sonore (L <sub>wa</sub> )	58,0 dB(A), incertitude (K) 3 dB(A)
Puissance sonore (L <sub>wa</sub> )	69,0 dB(A), incertitude (K) 3 dB(A)

Valeurs totales des vibrations (somme vectorielle triaxiale) selon la norme EN 62841 :	
Vissage sans impact (ah)	0,4 m/s <sup>2</sup> , incertitude (K) 1,5 m/s <sup>2</sup>

### Déclaration de conformité CE Directive Machines



Tournevis REVSD4C

Black & Decker déclare que les produits décrits dans les «Caractéristiques techniques» sont en conformité avec : 2006/42/CE, EN62841-1:2015, EN62841-2-2:2014

Pour obtenir plus de précisions, contactez Black & Decker à l'adresse qui suit ou consultez la dernière page de la présente notice.

Ces produits sont également conformes aux directives 2014/30/UE et 2011/65/UE. Le soussigné est responsable de la compilation du dossier technique et il fait cette déclaration au nom de Black & Decker.

*Patrick Diepenbach*

Patrick Diepenbach  
General Manager, Benelux  
Black and Decker,  
Egide Walschaertsstraat 14-18  
2800 Mechelen, Belgique  
20/01/2022



## Garantie

Black & Decker est sûr de la qualité de ses produits et offre une garantie de 24 mois aux utilisateurs, à partir de la date d'achat. Cette garantie s'ajoute à vos droits légaux auxquels elle ne porte aucunement préjudice. Cette garantie est valable au sein des territoires des états membres de l'Union européenne, de la zone européenne de libre-échange et du Royaume-Uni.

Pour prétendre à la garantie, la réclamation doit être en conformité avec les conditions générales de Black & Decker et vous devez fournir une preuve d'achat au vendeur ou au réparateur agréé. Les conditions générales de la garantie de 2 ans Black & Decker ainsi que l'adresse du réparateur agréé le plus proche sont disponibles sur le site Internet [www.2helpU.com](http://www.2helpU.com) ou en contactant votre agence Black & Decker locale à l'adresse indiquée dans la présente notice.

Consultez notre site Internet [www.blackanddecker.co.uk](http://www.blackanddecker.co.uk) pour enregistrer votre nouveau produit Black & Decker et pour être tenu informé des nouveautés et des offres spéciales.

## Uso previsto

Il Trapano-avvitatore BLACK DECKER™ REVSD4C è stato progettato per applicazioni di avvitatura. Questo utensile è destinato esclusivamente all'uso privato.

## Istruzioni di sicurezza

### Avvertenze di sicurezza generali per gli elettroutensili



**Avvertenza! Leggere attentamente tutte le avvertenze, istruzioni, illustrazioni e specifiche fornite con l'elettroutensile.** La mancata osservanza delle istruzioni seguenti può dar luogo a scosse elettriche, incendi e/o lesioni gravi.

Conservare tutte le avvertenze e le istruzioni per riferimenti futuri. Il termine "elettroutensile" che ricorre nelle avvertenze si riferisce a utensili elettrici alimentati tramite la rete (con cavo) o a batteria (senza cavo).

#### 1. Sicurezza dell'area di lavoro

- Tenere pulita e ben illuminata l'area di lavoro.**  
Gli ambienti disordinati o scarsamente illuminati favoriscono gli incidenti.
- Evitare di impiegare gli elettroutensili in ambienti esposti al rischio di esplosione, come ad esempio in presenza di liquidi, gas o polveri infiammabili.**  
Gli elettroutensili generano scintille che potrebbero incendiare le polveri o i fumi.
- Durante l'uso di un elettroutensile, tenere lontani i bambini e le altre persone presenti nelle vicinanze.**  
Eventuali distrazioni possono provocare la perdita di controllo.

## 2. Sicurezza elettrica

- Le spine elettriche degli elettroutensili devono essere adatte alla presa di corrente. Non modificare la spina in alcun modo. Non utilizzare spine con adattatore per un elettroutensile dotato di messa a terra.** Per ridurre il rischio di scosse elettriche evitare di modificare le spine e utilizzare sempre le prese di corrente appropriate.
- Evitare il contatto fisico con superfici collegate a terra, quali tubature, termosifoni, fornelli e frigoriferi.** Se il corpo dell'utilizzatore è collegato a terra, il rischio di scosse elettriche aumenta.
- Custodire gli elettroutensili al riparo dalla pioggia o dall'umidità.** In caso di penetrazione di acqua all'interno dell'elettroutensile, il rischio di scosse elettriche aumenta.
- Se non è possibile evitare di lavorare in una zona umida, collegarsi a una rete elettrica protetta da un interruttore differenziale salvavita (RCD).** L'uso di un RCD salvavita riduce il rischio di scosse elettriche.

## 3. Sicurezza personale

- Quando si utilizza un elettroutensile evitare di distrarsi. È importante concentrarsi su quello che si sta facendo e usare il buon senso. Non utilizzare un elettroutensile quando si è stanchi o sotto l'effetto di sostanze stupefacenti, alcool o medicinali.** Un solo attimo di distrazione durante l'uso dell'elettroutensile potrebbe provocare gravi lesioni personali.
- Usare dispositivi di protezione individuale. Indossare sempre occhiali di sicurezza.** L'uso di dispositivi di protezione, quali maschere antipolvere, scarpe antinfortunistiche antiscivolo, elmetti di sicurezza o protezioni per l'udito in condizioni opportune consente di ridurre le lesioni personali.
- Prevenire l'avvio accidentale. Accertarsi che l'interruttore sia nella posizione di spegnimento, prima di collegare l'elettroutensile alla rete elettrica e/o alla batteria, di prenderlo in mano o di trasportarlo.** Per non esporsi al rischio di incidenti, non trasportare l'elettroutensile tenendo le dita sull'interruttore e non collegarlo a una fonte di alimentazione elettrica con l'interruttore in posizione di accensione.
- Prima di accendere un elettroutensile, rimuovere eventuali chiavi o attrezzi di regolazione.** Un utensile di regolazione o una chiave fissati a una parte rotante dell'elettroutensile possono provocare lesioni personali.

- e. Non sporgersi troppo. Mantenere sempre un appoggio e un equilibrio adeguati.** In tal modo è possibile controllare più efficacemente l'elettrotensile nelle situazioni imprevedute.
- f. Indossare indumenti adeguati. Non indossare abiti larghi o gioielli. Tenere capelli e indumenti lontani dalle parti mobili.** Abiti non aderenti, gioielli o capelli lunghi possono impigliarsi nelle parti in movimento.
- g. Se gli elettrotensili sono provvisti di attacchi per il collegamento di dispositivi di aspirazione o di raccolta delle polveri, assicurarsi che questi siano installati e utilizzati correttamente.** L'impiego di dispositivi per la raccolta delle polveri può ridurre i pericoli legati a queste ultime.
- h. Non lasciare che la domestichezza acquisita dall'uso frequente di elettrotensili induca a cedere alla tentazione di ignorare i principi di utilizzo sicuro degli stessi.** Un'azione imprudente potrebbe provocare lesioni gravi in una frazione di secondo.
- 4. Uso e cura dell'elettrotensile**
- a. Non forzare l'elettrotensile. Utilizzare l'elettrotensile corretto per il lavoro da eseguire.** L'elettrotensile corretto funziona meglio e in modo più sicuro, se utilizzato alla velocità per cui è stato progettato.
- b. Non utilizzare elettrotensili con interruttori difettosi.** Qualsiasi elettrotensile che non possa essere controllato tramite l'interruttore di accensione/spengimento è pericoloso e deve essere riparato.
- c. Scollegare la spina dalla presa di corrente e/o rimuovere il pacco batteria, se estraibile, dall'elettrotensile prima di effettuare qualsiasi tipo di regolazione, cambiare gli accessori o riporlo.** Queste misure di sicurezza preventive riducono il rischio di azionare accidentalmente l'elettrotensile.
- d. Quando non vengono usati, gli elettrotensili devono essere custoditi fuori dalla portata dei bambini. Non consentire l'uso dell'elettrotensile a persone inesperte o che non abbiano letto queste Istruzioni.** Gli elettrotensili sono pericolosi in mano a persone inesperte.
- e. Sottoporre gli elettrotensili e gli accessori a regolare manutenzione. Verificare che le parti mobili siano correttamente allineate e non inceppate, che non vi siano componenti rotti e che non sussistano altre condizioni che possano compromettere il funzionamento dell'elettrotensile. Se l'elettrotensile è danneggiato, farlo riparare prima dell'uso.** Molti incidenti sono provocati da elettrotensili non sottoposti a corretta manutenzione.
- f. Mantenere affilati e puliti gli utensili da taglio.** La manutenzione corretta degli utensili da taglio con bordi affilati riduce le probabilità di inceppamento e ne facilita il controllo.
- g. Utilizzare l'elettrotensile, gli accessori e le punte in conformità a queste istruzioni, tenendo conto delle condizioni operative e del lavoro da eseguire.** L'utilizzo dell'elettrotensile per impieghi diversi da quelli previsti può provocare situazioni di pericolo.
- h. Mantenere le impugnature e le superfici di presa asciutte, pulite e senza tracce di olio o grasso.** Impugnature e superfici di presa scivolose non consentono di maneggiare e controllare in modo sicuro l'elettrotensile nel caso di imprevisti
- 5. Utilizzo e cura degli elettrotensili a batteria (solo per elettrotensili a batteria)**
- a. Usare gli elettrotensili esclusivamente con i pacchi batteria appositamente concepiti.** L'impiego di pacchi batteria di tipo diverso potrebbe comportare il rischio di lesioni alle persone e incendio.
- b. Quando non è in uso, il pacco batteria deve essere custodito lontano da oggetti metallici come graffette, monete, chiavi, chiodi, viti o altre minuterie in metallo che possono creare contatto tra i poli.** Se i terminali della batteria venissero cortocircuitati potrebbero provocare ustioni o un incendio.
- c. In condizioni di sovraccarico, dalla batteria potrebbe fuoriuscire del liquido: evitare il contatto. In caso di contatto accidentale, sciacquare la pelle con abbondante acqua. Se il liquido dovesse entrare a contatto con gli occhi, rivolgersi anche a un medico.** Il liquido che fuoriesce dalla batteria può causare irritazioni o ustioni.
- d. Non utilizzare un pacco batteria o un elettrotensile se danneggiati o modificati.** Le batterie danneggiate o modificate potrebbero manifestare un comportamento imprevedibile, con la possibilità di causare un'esplosione o un incendio.
- e. Non esporre un pacco batteria o un elettrotensile al fuoco o a temperature elevate.** L'esposizione al fuoco o a una temperatura superiore a 130 °C potrebbe provocare un'esplosione. NOTA: 130 °C di temperatura corrispondono a una temperatura di 265 °F.
- f. Seguire tutte le istruzioni per la carica e non caricare il pacco batteria o l'elettrotensile a una temperatura che non rientri nell'intervallo di valori specificato nelle istruzioni.**

Una carica effettuata in maniera scorretta o a una temperatura che non rientra nell'intervallo di valori specificato, potrebbe danneggiare la batteria aumentando il rischio d'incendio.

## 6. Assistenza

- Fare riparare l'elettrotensile esclusivamente da personale specializzato che utilizzi solo ricambi originali.** In questo modo viene garantita la sicurezza dell'elettrotensile.
- Non riparare i pacchi batteria danneggiati.** Gli interventi di riparazione sui pacchi batteria devono essere eseguiti dal produttore o da fornitori di assistenza autorizzati (solo per gli elettrotensili a batteria).

## Avvertenze di sicurezza aggiuntive per gli elettrotensili

- ◆ **Tenere il trapano avvitatore afferrando le superfici di presa in materiale isolante, se vi è la possibilità che esso possa venire a contatto di cavi nascosti o del cavo di alimentazione.** Se elementi di fissaggio dovessero venire a contatto con un cavo sotto tensione trasmetterebbero la corrente elettrica anche alle parti metalliche esposte del trapano avvitatore, con il pericolo di provocare la folgorazione dell'utilizzatore.
- ◆ **Usare morsa o altri metodi pratici per fissare e bloccare il pezzo in lavorazione a una piattaforma stabile.** Tenere il pezzo in lavorazione con le mani o contro il corpo non ne assicura la stabilità e potrebbe comportare la perdita di controllo dell'elettrotensile.
- ◆ **Prima di installare viti in pareti, pavimenti o soffitti, controllare l'ubicazione di cavi elettrici e tubazioni.**
- ◆ **L'uso previsto è descritto in questo manuale d'istruzioni.**
- ◆ **Se questo elettrotensile dovesse essere usato con accessori o per usi diversi da quelli raccomandati in questo manuale, si potrebbero verificare lesioni a persone e/o danni materiali.**

## Rischi residui

I seguenti rischi sono inerenti all'uso di seghe e troncatrici:

- ◆ lesioni causate dal contatto con le parti rotanti.

Malgrado l'applicazione delle principali norme di sicurezza e l'implementazione di dispositivi di protezione, alcuni rischi residui non possono essere evitati. Questi sono:

- ◆ menomazioni uditive;
- ◆ rischio di incidenti causati dalle parti scoperte della lama che gira;
- ◆ rischio di lesioni durante la sostituzione della lama;
- ◆ rischio di schiacciamento delle dita durante l'apertura delle protezioni;

- ◆ pericoli per la salute causati dall'inalazione delle polveri generate dal taglio del legno, in modo particolare quello di quercia e di faggio, e del MDF.

## Sicurezza altrui

- ◆ Questo elettrotensile non è destinato all'uso da parte di persone di qualsiasi età (compresi i bambini) con capacità fisiche, sensoriali o mentali ridotte, o prive di esperienza e conoscenze, salvo che siano sottoposte a sorveglianza o ricevano opportune istruzioni riguardo all'uso dell'elettrotensile da parte di una persona responsabile della loro sicurezza.
- ◆ I bambini devono essere sorvegliati per assicurarsi che non giochino con l'elettrotensile.

## Vibrazioni

I valori di emissione di vibrazioni dichiarati, indicati nella sezione "Dati tecnici" e nella Dichiarazione di conformità, sono stati misurati in base al metodo di prova standard previsto dalla normativa EN62841 e possono essere usati come parametri di confronto tra due elettrotensili. Il valore di emissione di vibrazioni dichiarato può anche essere usato per una valutazione preliminare dell'esposizione.



**Avvertenza!** Il valore di emissione di vibrazioni durante l'impiego effettivo dell'elettrotensile può variare da quello dichiarato a seconda delle modalità d'uso. Il livello di emissione di vibrazioni potrebbe superare il valore dichiarato.

Quando si valuta l'esposizione alle vibrazioni per stabilire le misure di sicurezza richieste, in conformità alla normativa 2002/44/CE destinata alla protezione delle persone che utilizzano regolarmente elettrotensili nello svolgimento delle proprie mansioni lavorative, è necessario prendere in considerazione le condizioni effettive di utilizzo e il modo in cui l'elettrotensile viene usato, oltre che tenere conto di tutte le componenti del ciclo operativo, vale a dire i periodi in cui l'elettrotensile è spento, quelli in cui è acceso ma a riposo e quelli in cui viene effettivamente utilizzato.

## Etichette sull'elettrotensile

Sull'elettrotensile sono presenti i seguenti simboli assieme al codice data:



**Avvertenza!** Per ridurre il rischio di lesioni personali l'utilizzatore deve leggere il manuale di istruzioni.



Non fissare la spia di funzionamento

## Istruzioni di sicurezza aggiuntive per batterie e caricabatterie

### Batterie

- Non tentare mai di aprire le batterie per alcun motivo.
- Non lasciare che la batteria si bagni.
- Non conservare la batteria in luoghi dove la temperatura potrebbe superare i 40 °C.
- Caricare la batteria solo a temperature ambientali comprese tra 10 e 40 °C.
- Quando si smaltiscono le batterie, seguire le istruzioni riportate nella sezione "Tutela ambientale".

### Caricabatterie

- In dotazione è fornito solo il cavo di ricarica dotato di connettore micro USB (e nessun caricabatterie), da utilizzare esclusivamente con le apparecchiature certificate elencate.

### Caratteristiche

1. Interruttore di accensione/spengimento
2. cursore di controllo del senso di rotazione
3. Luce di lavoro a LED
4. Portapunte
5. Presa di ricarica
- 5a. Spia di ricarica (non visibile fino al collegamento alla presa di corrente)
6. Connettore USB

### Ricarica della batteria (Figg. A e B)

- Inserire il connettore USB (6) nella presa di ricarica (5).
- Collegare il cavo di ricarica a una presa di corrente idonea.
- Lasciare il trapano avvitatore in carica per 1-3 ore, in base alla fonte di alimentazione utilizzata.
- Durante la ricarica la spia di ricarica (5a) si accende, e per poi spegnersi una volta completata la ricarica.

### Assemblaggio

#### Inserimento e rimozione di una punta (Fig. C)

Questo trapano avvitatore impiega punte con codolo esagonale da 6,35 mm.

- Per montare una punta, inserire il codolo (8) nel portapunte (4).
- Per rimuovere una punta, estrarre il codolo (8) dal portapunte (4).

### Uso

#### Luce di lavoro a LED (Fig. D)

La luce di lavoro a LED (3) si attiva automaticamente quando si preme l'interruttore di accensione/spengimento (1).

Il LED si accende anche quando viene premuto il grilletto di azionamento e il cursore di controllo del senso di rotazione (2) si trova nella posizione di blocco (posizione centrale).

#### Selezione del senso di rotazione (Fig. E)

Per l'avvitatura usare la rotazione in senso orario. Per allentare le viti usare la rotazione in senso antiorario.

- Per selezionare la rotazione in senso orario, spingere il cursore di controllo del senso di rotazione (2) in avanti.
- Per selezionare la rotazione in senso antiorario, spingere il cursore di controllo del senso di rotazione (2) indietro.
- Per bloccare l'elettrotensile, mettere il cursore di controllo del senso di rotazione in posizione centrale.

#### Avvitatura

- Selezionare il senso di rotazione (orario o antiorario) utilizzando l'apposito cursore (2).
- Per accendere l'elettrotensile, premere l'interruttore di accensione/spengimento (1).
- Per spegnere l'elettrotensile, rilasciare l'interruttore di accensione/spengimento (1).

### Consigli per un utilizzo ottimale

#### Avvitatura

- Usare sempre la punta di tipo e misura corretti. Se le viti sono dure da avvitare, versare una piccola quantità di detersivo o sapone per lubrificarle.
- Tenere sempre il trapano avvitatore e la punta in posizione perpendicolare rispetto alla vite.

### Manutenzione

Questo elettrotensile BLACK+DECKER è stato progettato per funzionare a lungo con una manutenzione minima. Prestazioni sempre soddisfacenti dipendono da una cura appropriata e da una pulizia regolare. Il caricabatterie non richiede alcuna manutenzione, ad eccezione di una regolare pulizia.



**Avvertenza!** Prima di eseguire qualsiasi intervento di manutenzione sull'utensile, assicurarsi che il cursore di controllo del senso di rotazione sia nella posizione centrale di blocco. Scollegare il caricabatterie dalla presa di corrente prima di pulirlo.

- L'alloggiamento del motore deve essere pulito periodicamente con un panno umido. Non usare sostanze abrasive o detersivi a base di solventi.

### Tutela ambientale



Raccolta differenziata. I prodotti e le batterie contrassegnati con questo simbolo non devono essere smaltiti con i rifiuti domestici normali.

Prodotti e batterie contengono materiali che possono essere recuperati o riciclati, riducendo la richiesta di materie prime.

Riciclare i prodotti elettrici e le batterie attenendosi alle disposizioni vigenti a livello locale. Ulteriori informazioni sono disponibili online all'indirizzo [www.2helpU.com](http://www.2helpU.com).

## Dati tecnici

REVSD4C		
Tensione	V <sub>ac</sub>	3,6
Velocità a vuoto	W	180
Coppia di stallo	Nm	5,5
Coppia max.	Nm	5,5
Portapunte	mm	6,35
Peso	Kg	0,3

Batteria		
Tipo di batteria		Ioni di litio
Valore nominale Ah		1,5

Livello di pressione sonora misurato in conformità alla norma EN 62841:	
Pressione sonora (L <sub>wa</sub> )	58,0 dB(A), incertezza (K) 3 dB(A)
Potenza sonora (L <sub>wa</sub> )	69,0 dB(A), incertezza (K) 3 dB(A)

Valori totali di emissione di vibrazioni (somma vettore triassiale) in conformità alla norma EN 62841:	
Avvitatura senza percussione (ah)	0,4 m/s <sup>2</sup> , incertezza (K) 1,5 m/s <sup>2</sup>

## Dichiarazione di conformità CE Direttiva macchine



REVSD4C - Trapano-avvitatore

Black & Decker dichiara che i prodotti descritti nella sezione "Dati tecnici" sono conformi alle seguenti norme:

2006/42/CE, EN62841-1:2015, EN62841-2-2:2014

Per maggiori informazioni contattare Black & Decker al seguente indirizzo oppure consultare l'ultima di copertina del manuale.

Questi prodotti sono conformi alla Direttive 2014/30/UE e 2011/65/UE. Il firmatario è responsabile della redazione del presente documento tecnico e rilascia la presente dichiarazione per conto di Black & Decker.

*Patrick Diepenbach*

Patrick Diepenbach  
Direttore generale, Benelux  
Black and Decker,  
Egide Walschaertsstraat 14-18  
2800 Mechelen, Belgio  
20/01/2022

## Garanzia

Black & Decker, certa della qualità dei propri prodotti, offre ai consumatori una garanzia di 24 mesi dalla data di acquisto. Il presente certificato di garanzia è complementare ai diritti legali e non li pregiudica in alcun modo. La garanzia è valida nei territori degli Stati membri dell'Unione Europea, dell'EFTA (Associazione europea di libero scambio) e del Regno Unito. Per attivare la garanzia, la richiesta di intervento e riparazione in garanzia deve essere effettuata in accordo con i Termini e condizioni Black&Decker e sarà necessario presentare la prova di acquisto al venditore o all'agente di riparazione autorizzato. I termini e condizioni della garanzia Black & Decker di 2 anni e la sede dell'agente di riparazione autorizzato più vicino sono consultabili online all'indirizzo [www.2helpU.com](http://www.2helpU.com), oppure è possibile contattare la sede Black & Decker di zona all'indirizzo indicato in questo manuale. Visita il nostro sito [www.blackanddecker.it](http://www.blackanddecker.it) per registrare il prodotto Black & Decker appena acquistato e ricevere aggiornamenti su nuovi prodotti e offerte speciali.

(Vertaling van de originele  
instructies)

**NEDERLANDS**

## Bedoeld gebruik

De BLACK+DECKER™-schroevendraaier REVSD4C is ontworpen voor toepassing als schroevendraaier. Dit gereedschap is uitsluitend bestemd voor consumentengebruik.

## Veiligheidsinstructies

### Algemene veiligheidswaarschuwingen voor elektrisch gereedschap



**Waarschuwing! Lees alle veiligheidswaarschuwingen, instructies, illustraties en specificaties die bij dit gereedschap zijn meegeleverd.** Het niet opvolgen van alle onderstaande instructies kan leiden tot een elektrische schok, brand en/of ernstig persoonlijk letsel.

Bewaar alle waarschuwingen en instructies als referentiemateriaal. De in de waarschuwingen gebruikte term 'elektrisch gereedschap' heeft betrekking op elektrisch gereedschap voor gebruik op de netspanning (met netsnoer) of op accu (snoerloos).

### 1. Veilige werkomgeving

- Houd het werkgebied schoon en goed verlicht.**  
Op rommelige of donkere plekken zullen sneller ongelukken gebeuren.
- Gebruik elektrisch gereedschap niet in een omgeving met explosiegevaar, zoals in de nabijheid van brandbare vloeistoffen, gassen of stof.** Elektrisch gereedschap veroorzaakt vonken die het stof of de dampen kunnen doen ontbranden.

- c. **Houd kinderen en andere personen tijdens het gebruik van elektrisch gereedschap uit de buurt.** Als u wordt afgeleid, kunt u de controle over het gereedschap verliezen.

## 2. Elektrische veiligheid

- a. **De netstekker van het gereedschap moet in het stopcontact passen. Pas de stekker nooit op enige manier aan. Gebruik geen adapterstekkers in combinatie met geaard elektrisch gereedschap.** Niet-aangepaste stekkers en passende contactdozen verminderen het risico van een elektrische schok.
- b. **Vermijd aanraking van het lichaam met geaarde oppervlakken, bijvoorbeeld buizen, verwarmingen, fornuizen en koelkasten.** Er bestaat een verhoogd risico van een elektrische schok als uw lichaam contact heeft met aarde.
- c. **Houd het gereedschap uit de buurt van regen en vocht.** Als er water in elektrisch gereedschap binnendringt, verhoogt dit het risico van een elektrische schok.
- d. **Als u elektrisch gereedschap moet gebruiken in een vochtige locatie, moet u een voeding die wordt beschermd door een aardlekschakelaar (RCD) gebruiken.** Het gebruik van een aardlekschakelaar vermindert het risico van een elektrische schok.

## 3. Persoonlijke veiligheid

- a. **Blijf alert, kijk goed wat u doet en ga verstandig te werk bij het gebruik van elektrisch gereedschap. Werk niet met elektrisch gereedschap wanneer u moe bent of drugs, alcohol of medicatie hebt gebruikt.** Een moment van onoplettendheid tijdens het werken met elektrisch gereedschap kan leiden tot ernstig persoonlijk letsel.
- b. **Draag persoonlijke beschermende kleding. Draag altijd oogbescherming.** Beschermende uitrusting, zoals een stofmasker, anti-slip veiligheidsschoenen, een helm, of gehoorbescherming, gebruikt in de juiste omstandigheden, zal het risico op persoonlijk letsel verminderen.
- c. **Voorkom dat het gereedschap onbedoeld kan worden ingeschakeld. Controleer, voor u de stekker in het stopcontact steekt en/of de accu plaatst, en voor u het gereedschap oppakt en draagt, dat de schakelaar in de uit-stand staat.** Het dragen van elektrisch gereedschap met uw vinger op de schakelaar of het aanzetten van elektrisch gereedschap waarvan de schakelaar aan staat, kan leiden tot ongelukken.

- d. **Verwijder alle stelsleutels of steeksleutels voor u het elektrische gereedschap aan zet.** Een steeksleutel of een inbussleutel in een draaiend deel van het elektrische gereedschap kan tot persoonlijk letsel leiden.
- e. **Reik niet buiten uw macht. Blijf altijd stevig en in balans op de grond staan.** Dit geeft u betere controle over het elektrische gereedschap in onverwachte situaties.
- f. **Draag de juiste kleding. Draag geen loszittende kleding of sieraden. Houd uw haar en kleding weg bij bewegende onderdelen.** Loszittende kleding, sieraden of lang haar kunnen door bewegende delen worden gegrepen.
- g. **Controleer dat, wanneer hulpstukken voor stofafzuiging en stofopvang kunnen worden gemonteerd, deze goed zijn aangesloten en op juiste wijze worden gebruikt.** Het gebruik van stofafzuiging kan aan stof gerelateerde gevaren verminderen.
- h. **Word niet gemakzuchtig doordat u door veelvuldig gebruik vertrouwd bent geraakt met het gereedschap, en verlies niet de veiligheidsbeginselen voor het gereedschap uit het oog.** Een onvoorzichtige handeling kan in een fractie van een seconde ernstig letsel tot gevolg hebben.

## 4. Gebruik en onderhoud van elektrisch gereedschap

- a. **Oefen niet te veel kracht uit op het elektrisch gereedschap. Werk met het juiste elektrische gereedschap voor uw toepassing.** Met het juiste elektrische gereedschap kunt u de werkzaamheden waarvoor het gereedschap is ontworpen, beter en veiliger uitvoeren.
- b. **Gebruik geen elektrisch gereedschap waarvan de schakelaar defect is.** Ieder elektrisch gereedschap dat niet met de schakelaar kan worden bediend, is gevaarlijk en moet worden gerepareerd.
- c. **Haal de stekker uit het stopcontact en/of neem de accu uit het gereedschap voordat u aanpassingen uitvoert, accessoires verwisselt, of het elektrische gereedschap opbergt.** Dergelijke preventieve veiligheidsmaatregelen verminderen het risico dat het elektrische gereedschap per ongeluk wordt gestart.
- d. **Bewaar niet-gebruikte elektrische gereedschappen buiten bereik van kinderen. Laat het gereedschap niet gebruiken door personen die er niet vertrouwd mee zijn en deze aanwijzingen niet hebben gelezen.** Elektrisch gereedschap is gevaarlijk in handen van ongetrainde gebruikers.



e. **Onderhoud elektrisch gereedschap en accessoires goed.** Controleer dat bewegende delen van het elektrisch gereedschap wel goed functioneren en niet klemmen, en dat er niet onderdelen zodanig zijn gebroken of beschadigd dat de werking van het gereedschap nadelig wordt beïnvloed. Laat het gereedschap voor gebruik repareren als het beschadigd is. Veel ongelukken worden veroorzaakt door slecht onderhouden elektrisch gereedschap.

f. **Houd gereedschap voor knippen en zagen scherp en schoon.** Goed onderhouden zaaggereedschap met scherpe snijvlakken loopt minder snel vast en is gemakkelijker onder controle te houden.

g. **Gebruik elektrisch gereedschap, accessoires, hulpstukken en dergelijke volgens deze aanwijzingen. Let daarbij op de arbeidsomstandigheden en de uit te voeren werkzaamheden.** Gebruik van het elektrisch gereedschap voor werkzaamheden die anders zijn dan bedoeld, kan leiden tot een gevaarlijke situatie.

h. **Houd de handgrepen droog, schoon en vrij van olie en vet.** Gladde handgrepen en greepoppervlakken maken het moeilijk het gereedschap veilig te hanteren en onder controle te houden in onverwachte situaties.

## 5. Gebruik en verzorging van accugereedschap (alleen voor accugereedschap)

a. **Gebruik elektrisch gereedschap alleen in combinatie met specifiek vermelde accu's.** Het gebruik van andere accu's kan gevaar voor letsel en brand geven.

b. **Houd accu's die niet worden gebruikt uit de buurt van andere metalen voorwerpen, zoals paperclips, munten, spijkers, schroeven of andere kleine metalen voorwerpen die een verbinding van de ene pool naar de andere tot stand kunnen brengen.** Als kortsluiting tussen de polen van de accu wordt gemaakt, kan dit tot brandwonden of brand leiden.

c. **Wanneer de accu slecht wordt behandeld, kan er vloeistof uit de accu spuiten, vermijd contact met deze vloeistof. Als er per ongeluk contact ontstaat, spoel dan met water. Als de vloeistof in de ogen komt, roep dan tevens medische hulp in.** Vloeistof uit de accu kan irritatie en brandwonden veroorzaken.

d. **Gebruik niet een accu of gereedschap die/ dat beschadigd is of waaraan wijzigingen zijn aangebracht.** Beschadigde of gemodificeerde accu's kunnen zich onvoorspelbaar gedragen wat brand, explosie of een risico van letsel met zich mee kan brengen.

e. **Stel een accu of gereedschap niet bloot aan vuur of uitzonderlijk hoge temperaturen.** Blootstelling aan vuur of een temperatuur boven 130 °C kan explosie tot gevolg hebben. **OPMERKING:** Voor de temperatuur "130 °C" kunt u lezen "265 °F".

f. **Volg alle instructies voor het opladen en laad de accu of het gereedschap niet bij een temperatuur buiten het temperatuurbereik dat wordt opgegeven in de instructies.** Onjuist opladen of opladen bij temperaturen buiten het opgegeven bereik kan de accu beschadigen en het risico van brand vergroten.

## 6. Service

a. **Laat het gereedschap alleen repareren door gekwalificeerd en vakkundig personeel en alleen met originele vervangingsonderdelen.** De veiligheid van het gereedschap blijft dan behouden.

b. **Voer nooit servicewerkzaamheden uit aan accu's.** Alleen de fabrikant of een geautoriseerd servicecentrum mag servicewerkzaamheden aan accu's uitvoeren (geldt alleen voor accugereedschap).

## Aanvullende veiligheidswaarschuwingen voor elektrisch gereedschap

- ◆ **Houd het elektrisch gereedschap vast bij de geïsoleerde greepoppervlakken als u een handeling uitvoert waarbij het bevestigingsmateriaal met onzichtbare draden of met het eigen snoer in aanraking kan komen.** Bevestigingsmateriaal dat in contact komt met bedrading die onder stroom staat, kan metalen onderdelen van het gereedschap onder stroom zetten en de gebruiker een elektrische schok geven.
- ◆ **Zet het werkstuk met klemmen of op een andere praktische manier vast en ondersteun het op een stabiele ondergrond.** Wanneer u het werkstuk vasthoudt met de hand of het tegen uw lichaam gedrukt houdt, is het instabiel en kunt u de controle verliezen.
- ◆ **Controleer waar zich bedrading en leidingen bevinden voordat u bevestigingsmateriaal in muren, vloeren of plafonds boort.**
- ◆ **Het bedoeld gebruik wordt beschreven in deze gebruiksaanwijzing.**
- ◆ **Het gebruik van andere accessoires of hulpstukken of uitvoering van andere handelingen met dit gereedschap dan die in deze instructiehandleiding worden aanbevolen, kan leiden tot persoonlijk letsel en/of materiële schade.**

## Overige risico's

De volgende risico's horen bij het gebruik van zagen:

- ◆ **Verwondingen die worden veroorzaakt door het aanraken van draaiende delen.**

Zelfs als de veiligheidsvoorschriften in acht worden genomen en de veiligheidsvoorzieningen worden geïmplementeerd, kunnen bepaalde risico's niet worden vermeden. Dit zijn:

- Gehoorbeschadiging.
- Risico van ongelukken die worden veroorzaakt door onafgeschermden delen van het roterende zaagblad.
- Risico van letsel bij het verwisselen van het zaagblad.
- Risico van het knellen van vingers bij het openen van de beschermkappen.
- Gezondheidsrisico's door het inademen van stof dat ontstaat bij het zagen van hout, vooral eikenhout, beukenhout en MDF.

## Veiligheid van anderen

- Dit gereedschap mag niet worden gebruikt door personen (waaronder kinderen) die lichamelijk of geestelijk mindervalide zijn of die geen ervaring met of kennis van dit gereedschap hebben, tenzij ze onder toezicht staan of instructies krijgen over het gebruik van het gereedschap van een persoon die verantwoordelijk is voor hun veiligheid.
- Er moet op worden toegezien dat kinderen niet met het apparaat spelen.

## Trillingen

De aangegeven waarden voor trillingsemissie in de technische gegevens en de Conformiteitsverklaring, zijn gemeten volgens een standaardtestmethode die door EN62841 wordt verstrekt. Hiermee kan het ene gereedschap met het andere worden vergeleken. De aangegeven waarde voor trillingsemissie kan ook worden gebruikt bij een voorlopige bepaling van blootstelling.



**Waarschuwing!** De waarde voor trillingsemissie tijdens het werkelijke gebruik van het elektrisch gereedschap kan verschillen van de aangegeven waarde afhankelijk van de manieren waarop het gereedschap wordt gebruikt. Het trillingsniveau kan toenemen tot boven het aangegeven niveau.

Bij beoordeling van de blootstelling aan trillingen met het doel vast te stellen welke veiligheidsmaatregelen 2002/44/EG vereist ter bescherming van personen die tijdens hun werk regelmatig elektrisch gereedschap gebruiken, moet bij een inschatting van de blootstelling aan trillingen rekening worden gehouden met de werkelijke gebruiksomstandigheden en de manier waarop het gereedschap wordt gebruikt. Daarbij moet ook rekening worden gehouden met alle onderdelen van de bedrijfscyclus, zoals wanneer het gereedschap wordt uitgeschakeld en wanneer het gereedschap stationair loopt en ook de aanlooptijd.

## Etiketten op het gereedschap

Behalve van de datumcode is het gereedschap voorzien van de volgende symbolen:



**Waarschuwing!** De gebruiker moet de instructiehandleiding lezen zodat het risico van letsel wordt beperkt.



Kijk niet in de werkruimte

## Aanvullende veiligheidsinstructies voor accu's en laders

### Accu's

- Probeer nooit om welke reden dan ook batterijen open te maken.
- Stel de accu niet bloot aan water.
- Bewaar de batterijen niet op locaties met temperaturen van meer dan 40 °C.
- Laad de accu alleen op bij een omgevingstemperatuur van 10°C tot 40°C.
- Gooi lege batterijen weg volgens de instructies in het gedeelte "Het milieu beschermen".

### Laders

- Alleen micro-usb laadkabel meegeleverd (geen lader), alleen te gebruiken met gecertificeerde apparatuur in de lijst.

### Funcities

1. Aan/Uit-schakelaar
2. Schuifknop voor rechtsom/linksom
3. LED-werklicht
4. Bit holder
5. Laadpoort
- 5a. Indicatielampje Laden (pas zichtbaar wanneer u de stekker in het stopcontact steekt)
6. USB-connector

### De accu opladen (afb. A, B)

- Steek de stekker van USB-connector (6) in de laadpoort (5).
- Steek de stekker van de laadkabel in een geschikt stopcontact.
- Laat het gereedschap, afhankelijk van de stroomvoorziening die u gebruikt, 1-3 uur aangesloten op de lader.
- Het indicatielampje (5a) voor het laden brandt tijdens het laden.
- Het indicatielampje (5a) voor het laden gaat uit wanneer het laden is voltooid.



## Montage

### Een schroefbit aanbrengen en verwijderen (afb. C)

Voor dit gereedschap worden schroefbits met een zeshoekige schacht van 6,35mm gebruikt.

- U brengt een bit aan door de bitschacht (8) in de bithouder (4) te plaatsen.
- U verwijdert een bit door de bitschacht (8) uit de bithouder (4) te trekken.

## Werking

### LED-werklicht (afb. D)

Het LED-werklicht (3) gaat automatisch branden wanneer u de aan/uit-schakelaar (1) indrukt. Het licht gaat ook branden wanneer u de schakelaar indrukt terwijl de schuifknop voor rechtsom/linksom (2) in de vergrendelde stand staat (in het midden).

### De draairichting selecteren (afb. E)

Gebruik voor boren en voor het vastdraaien van schroeven de voorwaartse draairichting. Gebruik voor het verwijderen van schroeven de achterwaartse draairichting

- Duw, als u vooruit draaien wilt selecteren, de schuifknop voor rechtsom/linksom (2) naar de voorwaartse stand.
- Duw, als u achteruit draaien wilt selecteren, de schuifknop voor rechtsom/linksom (2) naar de achterwaartse stand.
- U kunt het gereedschap vergrendelen door de schuifknop vooruit/achteruit in de middelste stand te zetten.

### Schroeven in- en uitdraaien

- Gebruik de schuifknop vooruit/achteruit (2) om de gewenste draairichting te selecteren.
- Schakel het gereedschap in door op de aan/uit-schakelaar (1) te drukken.
- U schakelt het gereedschap uit door de aan/uit-schakelaar (1) los laten.

## Tips voor optimaal gebruik

### Schroeven in- en uitdraaien

- Gebruik altijd het juiste type en formaat schroefbit. Als schroeven moeilijk kunnen worden vastgedraaid, kunt u een kleine hoeveelheid afwasmiddel of zeep als smeermiddel gebruiken.
- Houd het gereedschap en het schroefbit altijd recht in het verlengde van de schroef.

## Onderhoud

Dit BLACK+DECKER-gereedschap is ontworpen om langere tijd te functioneren met een minimum aan onderhoud. Het continu naar tevredenheid functioneren hangt af van de juiste zorg voor het gereedschap en regelmatig reiniging.

Behalve regelmatige reiniging vraagt de lader geen onderhoud.



**Waarschuwing!** Controleer, voor u onderhoud aan het gereedschap uitvoert, dat de schuifknop voor vooruit/achteruit draaien in de vergrendelde middelste stand staat. Trek, voor u de lader gaat reinigen, de stekker uit het stopcontact.

- Reinig de behuizing van de motor regelmatig met een vochtige doek. Gebruik niet een schurend schoonmaakmiddel of een schoonmaakmiddel op basis van een oplosmiddel.

## Het milieu beschermen



Gescheiden afvalinzameling. Producten en accu's die zijn voorzien van dit symbool mogen niet bij het normale huishoudafval worden weggegooid.

Producten en accu's bevatten materialen die kunnen worden teruggewonnen of gerecycled, wat de vraag naar grondstoffen doet afnemen.

Recycle elektrische producten en accu's volgens de ter plaatse geldende bepalingen. Nadere informatie is beschikbaar op [www.2helpU.com](http://www.2helpU.com)

## Technische gegevens

REVSD4C		
Spanning	V <sub>ac</sub>	3,6
Snelheid onbelast	W	180
Vastlooptorsie	Nm	5,5
Max. torsie	Nm	5,5
Bithouder	mm	6,35
Gewicht	Kg	0,3

Accu		
Accutype		Li-Ion
Ah-classificatie		1,5

Geluidsdrukniveau, volgens EN 62841:	
Geluidsdruk (L <sub>A</sub> )	58,0 dB(A), onzekerheid (K) 3 dB(A)
Geluidsvermogen (L <sub>WA</sub> )	69,0 dB(A), meetonzekerheid (K) 3 dB(A)

Totale trillingswaarden (som triaxvector) volgens EN 62841:	
Schroeven draaien zonder slagwerking (ah)	0,4 m/s <sup>2</sup> , onzekerheid (K) 1,5 m/s <sup>2</sup>

**EG-verklaring van overeenstemming  
Machinerierichtlijn**



REVSD4C Schroevendraaier

Black & Decker verklaart dat de producten die worden beschreven onder "technische gegevens", voldoen aan: 2006/42/EC, EN62841-1:2015, EN62841-2-2:2014

Neem voor meer informatie contact op met Black & Decker op het volgende adres of raadpleeg de achterzijde van de handleiding.

Deze producten voldoen ook aan richtlijn 2014/30/EU en 2011/65/EU. Ondergetekende is verantwoordelijk voor de samenstelling van het technische bestand en legt deze verklaring af namens Black & Decker.

*Patrick Diepenbach*

Patrick Diepenbach  
General Manager, Benelux  
Black en Decker,  
Egide Walschaertsstraat 14-18  
2800 Mechelen, België  
20/01/2022

**Garantie**

Black & Decker heeft vertrouwen in zijn producten en biedt consumenten een garantie van 24 maanden vanaf de aankoopdatum. Deze garantie vormt een aanvulling op uw wettelijke rechten en beperken deze niet. De garantie is geldig op het grondgebied van de Lidstaten van de Europese Unie en de Europese Vrijhandelszone en het Verenigd Koninkrijk.

Voor een garantie-aanspraak moet uw aanspraak in overeenstemming zijn met de Voorwaarden en Condities van Black & Decker en moet u een bewijs van aankoop overleggen aan de verkoper of aan een geautoriseerde reparatiemonteur. Voorwaarden en condities van de 2-jarige garantie van Black & Decker en het adres van de vestiging van het geautoriseerde reparatiecentrum bij u in de buurt, kunt u vinden op internet op [www.2helpU.com](http://www.2helpU.com), of door contact op te nemen met het Black & Decker-kantoor ter plaatse, op het adres dat in deze handleiding wordt vermeld.

Bezoek onze website [www.blackanddecker.nl](http://www.blackanddecker.nl), waar u uw nieuwe Black & Decker-product kunt registreren en informatie kunt verkrijgen over nieuwe producten en speciale aanbiedingen.

**Uso previsto**

El atornillador BLACK+DECKER™ REVSD4C ha sido diseñado para operaciones de atornillado. Esta herramienta ha sido concebida únicamente para uso doméstico.

**Instrucciones de seguridad**

**Advertencias de seguridad para herramientas eléctricas en general**



**¡Advertencia! Lea todas las advertencias de seguridad, instrucciones, ilustraciones y especificaciones suministradas con esta herramienta eléctrica.** El incumplimiento de las instrucciones que se indican a continuación puede causar descargas eléctricas, incendios y/o lesiones graves.

Guarde todas las advertencias e instrucciones para futuras consultas. El término "herramienta eléctrica" que aparece en las advertencias se refiere a la herramienta eléctrica que funciona a través de la red eléctrica (con cable) o a la herramienta eléctrica que funciona con batería (sin cable).

**1. Seguridad del área de trabajo**

- a. **Mantenga su área de trabajo limpia y bien iluminada.** Las áreas en desorden u oscuras pueden provocar accidentes.
- b. **No utilice la herramienta eléctrica en un entorno con peligro de explosión, en el que se encuentren líquidos, gases o material en polvo inflamables.** Las herramientas eléctricas originan chispas que pueden inflamar el polvo o los gases.
- c. **Cuando utilice la herramienta eléctrica, mantenga alejados a los niños y a otras personas del área de trabajo.** Las distracciones pueden causar la pérdida del control de la herramienta.

**2. Seguridad eléctrica**

- a. **El enchufe de la herramienta eléctrica debe corresponder a la toma de corriente utilizada. No modifique nunca el enchufe de ninguna forma. No utilice ningún enchufe adaptador con las herramientas eléctricas conectadas a tierra (puestas a masa).** Los enchufes no modificados y las tomas de corriente compatibles reducen el riesgo de descarga eléctrica.
- b. **Evite el contacto corporal con superficies conectadas a tierra o puestas a masa tales como tuberías, radiadores, cocinas y neveras.** Existe un mayor riesgo de descarga eléctrica si su cuerpo está conectado a tierra o puesto a masa.
- c. **No exponga la herramienta eléctrica a la lluvia o a condiciones de humedad.** Si entra agua en una herramienta eléctrica, aumenta el riesgo de descarga eléctrica.

d. Si la utilización de una herramienta eléctrica en un lugar húmedo es inevitable, utilice una fuente protegida con un dispositivo diferencial residual (DDR). El uso de un DDR reduce el riesgo de descarga eléctrica.

### 3. Seguridad personal

- a. **Manténgase alerta, sea precavido y use el sentido común cuando maneje una herramienta eléctrica. No emplee herramientas eléctricas cuando esté cansado o bajo los efectos de drogas, alcohol o medicamentos.** Un momento de desatención cuando se manejan herramientas eléctricas puede ocasionar lesiones personales graves.
- b. **Utilice equipo de seguridad personal. Utilice siempre protección ocular.** El uso de equipo de protección como mascarillas antipolvo, calzado antideslizante, casco o protección auditiva en las condiciones apropiadas reduce la posibilidad de lesiones personales.
- c. **Impida que la herramienta se ponga en marcha accidentalmente. Asegúrese de que el interruptor se encuentre en la posición de apagado antes de conectar la herramienta a la fuente de alimentación o a la batería, o de coger o transportar la herramienta.** Transportar herramientas eléctricas con el dedo puesto en el interruptor o herramientas eléctricas activadoras que tengan el interruptor encendido puede provocar accidentes.
- d. **Saque las llaves de ajuste o llaves inglesas antes de encender la herramienta eléctrica.** Dejar una llave inglesa u otra llave puesta en una pieza giratoria de la herramienta eléctrica puede ocasionar lesiones personales.
- e. **No se estire demasiado. Mantenga un equilibrio adecuado y la estabilidad constantemente.** Esto permite un mejor control de la herramienta eléctrica en situaciones inesperadas.
- f. **Use la vestimenta adecuada. No se ponga ropa suelta o joyas. Mantenga el cabello y la ropa alejados de las piezas en movimiento.** La ropa suelta, las joyas y el pelo largo pueden quedar atrapados en las piezas móviles.
- g. **Siempre que sea posible utilizar equipos de aspiración o captación de polvo, asegúrese de que estos estén conectados y que se utilicen correctamente.** El uso de equipo de recogida de polvo puede reducir los riesgos relacionados con el polvo.
- h. **Evite que la familiaridad adquirida con el uso frecuente de las herramientas le haga confiarse demasiado e ignorar las principales normas de seguridad de las herramientas.**

Una utilización descuidada puede provocar lesiones graves en cuestión de segundos.

### 4. Uso y cuidado de herramientas eléctricas

- a. **No sobrecargue la herramienta eléctrica. Use la herramienta eléctrica correcta para su aplicación.** La herramienta eléctrica correcta funcionará mejor y con más seguridad a la velocidad para la cual ha sido diseñada.
- b. **No utilice la herramienta eléctrica si esta no se puede encender y apagar con el interruptor.** Toda herramienta eléctrica que no pueda controlarse con el interruptor es peligrosa y debe ser reparada.
- c. **Desconecte el enchufe de la fuente de alimentación y/o saque la batería de la herramienta, si es extraíble, antes de realizar cualquier ajuste, cambiar accesorios o guardar las herramientas mecánicas.** Tales medidas de seguridad preventivas reducen el riesgo de poner en marcha la herramienta eléctrica accidentalmente.
- d. **Guarde la herramienta eléctrica fuera del alcance de los niños y de las personas que no estén familiarizadas con su uso ni con estas instrucciones.** Las herramientas eléctricas son peligrosas en manos de personas no capacitadas.
- e. **Realice el mantenimiento de las herramientas eléctricas y sus accesorios. Compruebe que las piezas móviles no estén desalineadas ni atascadas, que no haya piezas rotas y cualquier otra condición que pudiera afectar al funcionamiento de la herramienta eléctrica. Si la herramienta eléctrica está dañada, llévela para que sea reparada antes de utilizarla.** Muchos accidentes se producen por el mantenimiento inadecuado de las herramientas eléctricas.
- f. **Mantenga las herramientas de corte limpias y afiladas.** Las herramientas de corte con bordes afilados y correctamente mantenidas tienen menos probabilidad de bloquearse y son más fáciles de controlar.
- g. **Utilice la herramienta eléctrica, los accesorios, los utensilios de la herramienta, etc. de acuerdo con estas instrucciones, y tenga en cuenta las condiciones de trabajo y la tarea a realizar.** El uso de la herramienta eléctrica para operaciones que no sean las previstas puede ocasionar una situación peligrosa.
- h. **Mantenga las empuñaduras y las superficies de agarre secas, limpias y libres de aceite y grasa.** Las empuñaduras y superficies de agarre resbaladizas engrasadas impiden manipular y controlar la herramienta en situaciones imprevistas.

## 5. Uso y cuidado de la batería (solo para herramientas con batería)

- a. **Utilice herramientas eléctricas solamente cuando se especifique en la batería.** El uso de otras baterías puede suponer un riesgo de lesiones e incendio.
- b. **Cuando no se utilice la batería, manténgala alejada de objetos de metal como clips para papel, monedas, llaves, clavos, tornillos y otros pequeños objetos metálicos que pueden realizar una conexión de un terminal a otro.** Si se produce un cortocircuito entre los terminales de la batería, pueden ocasionarse incendios o quemaduras.
- c. **En condiciones abusivas, podrá salir líquido de la batería, evite el contacto. Si se produce un contacto accidental, lave con agua. Si el líquido se pone en contacto con los ojos, acuda además a un médico.** El líquido expulsado de la batería podrá provocar irritaciones o quemaduras.
- d. **No use la batería ni la herramienta si están dañadas o han sido modificadas.** Las baterías dañadas o modificadas pueden tener reacciones imprevisibles y causar incendios, explosión o riesgo de lesiones.
- e. **No exponga la batería o la herramienta al fuego o a temperaturas excesivas.** La exposición al fuego o a una temperatura superior a 130 °C puede causar una explosión. NOTA: La temperatura "130 °C" puede sustituirse por la temperatura "265 °F".
- f. **Siga las instrucciones de carga y no cargue la batería o la herramienta fuera del intervalo de temperatura especificado en las instrucciones.** La carga incorrecta o fuera del rango de temperatura especificado puede dañar la batería y aumentar el riesgo de incendio.

## 6. Reparaciones

- a. **Haga reparar su herramienta eléctrica solo por personal técnico autorizado que emplee exclusivamente piezas de repuesto originales.** Así se asegurará que se mantenga la seguridad de la herramienta eléctrica.
- b. **Nunca repare la batería si está dañada.** La reparación de la batería puede ser efectuada únicamente por el fabricante o por los proveedores de servicio autorizados (se utiliza solo para herramientas de batería).

El contacto de las fijaciones con un cable "cargado" puede cargar las partes metálicas expuestas de la herramienta eléctrica y producir una descarga eléctrica al operador.

- ◆ **Utilice fijaciones u otro tipo de método para fijar y apoyar la pieza de trabajo en una plataforma estable.** Si sostiene la pieza de trabajo con las manos o con el cuerpo, esta estará inestable y podrá hacer que usted pierda el control.
- ◆ **Antes de atornillar fijaciones en paredes, suelos o techos, compruebe la ubicación de los cables y los tubos.**
- ◆ **En este manual de instrucciones se describe el uso previsto.**
- ◆ **La utilización de accesorios o dispositivos auxiliares o la realización de operaciones distintas a las recomendadas en este manual de instrucciones para esta herramienta pueden causar lesiones corporales y/o daños materiales.**

## Riesgos residuales

Los siguientes riesgos son inherentes al uso de las sierras:

- ◆ Daños provocados por el contacto con las piezas giratorias.

El cumplimiento de las normas de seguridad correspondientes y el uso de dispositivos de seguridad no evitan ciertos riesgos residuales. Dichos riesgos son los siguientes:

- ◆ Deterioro auditivo.
- ◆ Riesgo de accidentes causados por partes descubiertas de la hoja giratoria.
- ◆ Riesgo de lesiones cuando se cambia la hoja.
- ◆ Riesgo de aplastamiento de los dedos al abrir los protectores.
- ◆ Daños a la salud provocados por la respiración del polvo emitido al cortar madera, especialmente el polvo de haya, roble y MDF.

## Seguridad de otras personas

- ◆ Esta herramienta eléctrica no ha sido concebida para ser usada por personas (incluidos niños) con capacidades físicas, sensoriales o mentales disminuidas o que carezcan de experiencia y conocimientos, salvo que hayan recibido supervisión o formación con respecto al uso de la herramienta por parte de una persona responsable de su seguridad.
- ◆ Los niños deben vigilarse en todo momento para asegurarse de que no la tomen como elemento de juego.

## Vibración

Los valores de emisión de vibraciones declarados en el apartado de características técnicas y en la declaración de conformidad se han calculado según un método de prueba estándar proporcionado por la norma EN62841 y pueden utilizarse para comparar una herramienta con otra.

## Advertencias de seguridad adicionales para herramientas eléctricas

- ◆ **Sujete la herramienta eléctrica por las superficies protegidas cuando realice una operación en la que la fijación pueda entrar en contacto con cableado oculto o con su propio cable.**

El valor de emisión de vibraciones especificado también puede utilizarse en una evaluación preliminar de la exposición.



**¡Advertencia!** El valor de emisión de vibraciones durante el funcionamiento real de la herramienta eléctrica puede diferir del valor declarado en función de cómo se utilice dicha herramienta. El nivel de las vibraciones puede aumentar por encima del nivel declarado.

Al evaluar la exposición a las vibraciones con el fin de determinar las medidas de seguridad que exige la directiva 2002/44/CE para proteger a las personas que utilizan periódicamente herramientas eléctricas en el entorno laboral, deberá tenerse en cuenta una estimación de la exposición a las vibraciones, las condiciones de uso reales y el modo de empleo de la herramienta, así como los pasos del ciclo operativo como, por ejemplo, el número de veces que la herramienta se apaga, el tiempo que está parada y el tiempo de activación.

## Etiquetas en la herramienta

Junto con el código de la fecha, en la herramienta aparecen los siguientes símbolos:



**¡Advertencia!** Para reducir el riesgo de lesiones, el usuario debe leer el manual de instrucciones.



No fije la vista en la luz de funcionamiento.

## Instrucciones de seguridad adicionales para baterías y cargadores

### Baterías

- Jamás trate de abrirla por ninguna razón.
- No exponga las baterías al agua.
- No las almacene en lugares en los que la temperatura pueda superar los 40 °C.
- Realice la carga únicamente a una temperatura ambiente de entre 10 °C y 40 °C.
- Cuando vaya a desechar la batería, siga las instrucciones facilitadas en la sección "Protección del medioambiente".

### Cargadores

- Se suministra solo el cable de carga micro USB (sin cargador), que puede usarse solo con equipos certificados.

### Características

1. Interruptor de encendido/apagado
2. Control deslizante de avance/retroceso
3. Luz de trabajo de LED

4. Portapuntas
5. Puerto de carga
- 5a. Indicador de carga (no visible hasta que se enchufa)
6. Conector USB

### Carga de la batería (Figs. A y B)

- Introduzca el conector USB (6) en el puerto de carga (5).
- Enchufe el cable del cargador en una fuente de alimentación apropiada.
- Deje la herramienta conectada al cargador durante 1-3 horas, dependiendo de la fuente de alimentación que use.
- El indicador de carga (5a) se encenderá durante la carga.
- El indicador de carga (5a) se apagará una vez completada la carga.

### Montaje

#### Colocación y extracción de la punta de atornillar (Fig. C)

Esta herramienta utiliza puntas de atornillar CON vástago hexagonal de 6,35 mm.

- Para colocar una punta de atornillar, inserte el vástago de la punta de atornillar (8) en el portapuntas (4).
- Para extraer la punta de atornillar (8), saque el vástago de la punta del portapuntas (4).

### Funcionamiento

#### Luz de trabajo de LED (Fig. D)

La luz de trabajo de LED (3) se activa de forma automática al pulsar el interruptor de encendido/apagado (1). El LED también se ilumina cuando se pulsa el gatillo y el control deslizante de avance/retroceso (2) está en la posición de bloqueo (posición central).

#### Selección de la dirección de rotación (Fig. E)

Para apretar tornillos, gire hacia delante. Para aflojar tornillos, gire en sentido inverso.

- Para seleccionar el giro hacia delante, empuje el control deslizante de avance/retroceso (2) hasta la posición de avance.
- Para seleccionar el giro hacia atrás, empuje el control deslizante de avance/retroceso (2) hasta la posición de retroceso.
- Para bloquear la herramienta, coloque el control deslizante de avance/retroceso en la posición central.

### Atornillado

- Seleccione la rotación hacia delante o hacia atrás con el control deslizante de avance/retroceso (2).
- Para encender la herramienta, pulse el interruptor de encendido/apagado (1).

- Para apagar la herramienta, suelte el interruptor de encendido/apagado (1).

## Consejos para un uso óptimo

### Atornillado

- Utilice siempre el tipo y tamaño de punta de atornillar correctos. Si le resulta difícil apretar los tornillos, inténtelo utilizando un poco de detergente o de jabón como lubricante.
- Sujete siempre la herramienta y la punta de atornillar en línea recta con el tornillo.

### Mantenimiento

Su herramienta BLACK+DECKER ha sido diseñada para funcionar durante un largo período de tiempo con un mantenimiento mínimo. El funcionamiento satisfactorio continuo depende del buen cuidado de la herramienta y de su limpieza periódica.

El cargador no requiere ningún mantenimiento especial excepto la limpieza periódica.



**¡Advertencia!** Antes de realizar cualquier operación de mantenimiento en la herramienta, compruebe que el control deslizando de avance/retroceso esté en la posición central bloqueada. Desenchufe el cargador antes de limpiarlo.

- Limpie periódicamente la carcasa del motor con un paño húmedo. No utilice limpiadores abrasivos o a base de disolventes.

### Protección del medioambiente



Recogida selectiva. Los productos y las baterías marcadas con este símbolo no se deben desechar junto con los residuos domésticos normales.

Los productos y las baterías que contienen materiales que se puedan recuperar o reciclar reducen la demanda de materias primas.

Recicle los productos eléctricos y las baterías de conformidad con la normativa local. Puede obtener más información en [www.2helpU.com](http://www.2helpU.com)

### Datos técnicos

REVSD4C		
Tensión	V <sub>cc</sub>	3,6
Velocidad en vacío	A	180
Alto par de detención	Nm	5,5
Par de torsión máximo	Nm	5,5
Portapuntas	mm	6,35
Peso	Kg	0,3

Batería		
Tipo de baterías		iones de litio
AH nominales		1,5

Nivel de presión acústica de acuerdo con la norma EN 62841:		
Presión acústica (L <sub>p</sub> )	58,0 dB(A), incertidumbre (K) 3 dB(A)	
Potencia acústica (L <sub>wa</sub> )	69,0 dB(A), incertidumbre (K) 3 dB(A)	

Valores totales de vibración (suma vectorial triaxial) de acuerdo con la directiva EN 62841:		
Atornillado sin impacto (ah)	0,4 m/s <sup>2</sup> , incertidumbre (K) 1,5 m/s <sup>2</sup>	

## Declaración de conformidad CE Directiva de máquinas



Atornillador REVSD4C

Black & Decker declara que los productos descritos en "Datos técnicos" cumplen las siguientes normas:

2006/42/CE, EN62841-1:2015, EN62841-2-2:2014

Para más información, póngase en contacto con Black & Decker a través de la siguiente dirección o consulte la contracubierta del manual.

Estos productos también cumplen las Directivas 2014/30/UE y 2011/65/UE. El abajo firmante es el responsable de la elaboración de la documentación técnica y expide la presente declaración en nombre y representación de Black & Decker.

*Patrick Diepenbach*

Patrick Diepenbach  
Director General, Benelux  
Black and Decker,  
Egide Walschaertsstraat 14-18  
2800 Mechelen, Bélgica  
20/01/2022

### Garantía

Black & Decker confía en la calidad de sus productos y ofrece a los consumidores una garantía de 24 meses a partir de la fecha de compra. Esta garantía es adicional a sus derechos legales y no los menoscaba en modo alguno. La garantía es válida en los territorios de los Estados Miembros de la Unión Europea, el Área de Libre Comercio Europea y Reino Unido. Para reclamar la garantía, la reclamación deberá formularse de conformidad con las condiciones de Black & Decker y deberá presentarse un comprobante de compra al vendedor o al agente técnico autorizado.



Puede consultar las condiciones de la garantía de 2 años de Black & Decker y la ubicación de su agente técnico autorizado más próximo en el sitio web [www.2helpU.com](http://www.2helpU.com) o poniéndose en contacto con su oficina local de Black & Decker en la dirección que se indica en este manual.

Visite nuestro sitio web [www.blackanddecker.co.uk](http://www.blackanddecker.co.uk) para registrar su nuevo producto Black & Decker y recibir noticias sobre nuevos productos y ofertas especiales.

## Utilização pretendida

A sua aparafusadora REVSD4C BLACK+DECKER™ foi concebida para apertar parafusos. Esta ferramenta destina-se apenas a utilização doméstica.

## Instruções de segurança

### Avisos de segurança gerais sobre ferramentas eléctricas



**Atenção! Leia todos os avisos de segurança, instruções, ilustrações e especificações fornecidas com esta ferramenta eléctrica. O não cumprimento de todas as instruções indicadas abaixo pode resultar em choque eléctrico, incêndio e/ou ferimentos graves.**

Guarde todos os avisos e instruções para futura referência. A expressão "ferramenta eléctrica" utilizada nos avisos refere-se à sua ferramenta eléctrica com ligação à corrente eléctrica (com cabo) ou com bateria (sem fio).

#### 1. Segurança na área de trabalho

- Mantenha a área de trabalho limpa e bem iluminada.** As áreas desarrumadas ou escuras são propensas a acidentes.
- Não trabalhe com ferramentas eléctricas em áreas com risco de explosão, nas quais se encontrem líquidos, gases ou poeiras inflamáveis.** As ferramentas eléctricas produzem faíscas que podem inflamar estas poeiras ou vapores.
- Quando utilizar a ferramenta eléctrica, mantenha as crianças e outras pessoas afastadas.** As distrações podem causar perda de controlo da ferramenta.

#### 2. Segurança eléctrica

- As fichas das ferramenta eléctrica devem caber na tomada. Nunca modifique a ficha. Não utilize fichas adaptadoras com ferramentas eléctricas ligadas à terra.** As fichas não modificadas e as tomadas compatíveis reduzem o risco de choque eléctrico.

- Evite que o corpo entre em contacto com superfícies ligadas à terra, como tubos, radiadores, fogões e frigoríficos.** Se o seu corpo estiver "ligado" à terra, o risco de choque eléctrico é maior.
- As ferramentas eléctricas não podem ser expostas à chuva ou à humidade.** A entrada de água numa ferramenta eléctrica aumenta o risco de choque eléctrico.
- Se for inevitável trabalhar com uma ferramenta eléctrica num local húmido, utilize um dispositivo de corrente residual (DCR).** A utilização de um DCR reduz o risco de choque eléctrico.

#### 3. Segurança pessoal

- Esteja atento, preste atenção ao que está a fazer e tenha cuidado quando utilizar uma ferramenta eléctrica. Não utilize-a se estiver cansado ou sob o efeito de drogas, álcool ou medicamentos.** Um momento de distração durante a utilização de ferramentas eléctricas pode resultar em ferimentos graves.
- Use equipamento de protecção individual. Use sempre protecção ocular.** O equipamento de protecção, como, por exemplo, uma máscara anti-poeira, sapatos de segurança antiderrapantes, um capacete de segurança ou uma protecção auditiva, usado nas condições adequadas, reduz o risco de ferimentos.
- Evite arranques involuntários. Assegure-se de que o gatilho está desligado antes de ligar a ferramenta à corrente eléctrica e/ou as baterias e antes de levantar ou transportar a ferramenta.** Se mantiver o dedo sobre o gatilho quando transportar ferramentas eléctricas ou se ligá-las à fonte de alimentação com o gatilho ligado, pode causar acidentes.
- Retire qualquer chave de ajuste ou chave de porcas antes de ligar a ferramenta eléctrica.** Uma chave de fendas ou de ajuste fixada numa peça rotativa da ferramenta eléctrica pode causar ferimentos.
- Não se estique demasiado quando trabalhar com a ferramenta. Mantenha sempre os pés bem apoiados e um equilíbrio adequado.** Desta forma, é mais fácil controlar a ferramenta eléctrica em situações inesperadas.
- Use vestuário adequado. Não use roupa larga ou jóias. Mantenha o cabelo e a roupa afastados das peças móveis.** As roupas largas, jóias ou o cabelo comprido podem ficar presos nestas peças.

- g. Se for prevista a montagem de dispositivos de extração e recolha de pó, assegure-se de que estão ligados e que são utilizados de forma correcta. A utilização de dispositivos de extração de partículas pode reduzir os riscos relacionados com as mesmas.
- h. Não permita que o facto de estar familiarizado com a utilização frequente das ferramentas o torne complacente e ignore os princípios de segurança da ferramenta. Uma acção irreflectida pode causar ferimentos graves numa fracção de segundos.
- #### 4. Utilização e manutenção da ferramenta eléctrica
- a. Não sobrecarregue a ferramenta eléctrica. Utilize a ferramenta eléctrica correcta para a aplicação pretendida. A ferramenta eléctrica correcta efectua o trabalho de maneira mais eficiente e segura se for utilizada de acordo com a capacidade para a qual foi concebida.
- b. Não utilize a ferramenta eléctrica se não conseguir ligar ou desligar o gatilho. Qualquer ferramenta eléctrica que não possa ser controlada através do gatilho é perigosa e tem de ser reparada.
- c. Retire a ficha da tomada de electricidade e/ou a bateria da ferramenta eléctrica, caso seja possível fazê-lo, antes de efectuar quaisquer ajustes, substituir acessórios ou guardar ferramentas eléctricas. Estas medidas de segurança preventivas reduzem o risco de ligar a ferramenta eléctrica acidentalmente.
- d. Mantenha as ferramentas eléctricas que não estiverem a ser utilizadas fora do alcance de crianças. Não permita que a ferramenta eléctrica seja utilizada por pessoas não familiarizadas com a mesma ou que não tenham lido estas instruções. As ferramentas eléctricas são perigosas nas mãos de pessoas que não possuam as qualificações necessárias para manuseá-las.
- e. Proceda à manutenção das ferramentas eléctricas e acessórios. Verifique se as partes móveis estão desalinhasadas ou bloqueadas, se existem peças partidas ou qualquer outra situação que possa afectar o funcionamento das ferramentas eléctricas. Se a ferramenta eléctrica estiver danificada, esta não deve ser utilizada até que seja reparada. Muitos acidentes são causados por ferramentas eléctricas com uma manutenção insuficiente.
- f. Mantenha as ferramentas de corte sempre afiadas e limpas. As ferramentas de corte sujeitas a uma manutenção adequada, com arestas de corte afiadas, bloqueiam com menos frequência e controlam-se com maior facilidade.
- g. Utilize a ferramenta eléctrica, acessórios e peças de ferramenta de acordo com estas instruções, considerando as condições de trabalho e o tarefa a ser executada. A utilização da ferramenta eléctrica para fins diferentes dos previstos pode resultar em situações perigosas.
- h. Mantenha os cabos e as superfícies de fixação secos, limpos e sem qualquer óleo ou gordura. Punhos e pegas molhadas não permitem um funcionamento e controlo seguros em situações inesperadas.
- #### 5. Utilização e cuidados a ter com a ferramenta com bateria (apenas para ferramentas com bateria)
- a. Utilize ferramentas eléctricas apenas com baterias específicas. A utilização de outras baterias pode causar ferimentos e incêndio.
- b. Quando uma bateria não estiver a ser utilizada, mantenha-a afastada de outros objectos metálicos como, por exemplo, cliques, moedas, chaves, pregos, parafusos ou outros pequenos objectos metálicos que possam fazer ligação de um terminal a outro. O curto-circuito de terminais da bateria pode causar queimaduras ou incêndio.
- c. Em condições abusivas, pode derramar líquido da bateria, devendo evitar o contacto. Se tocar acidentalmente no líquido, lave bem com água. Se o líquido entrar em contacto com os olhos, consulte um médico. O líquido derramado da bateria pode causar irritação ou queimaduras.
- d. Não utilize uma bateria ou uma ferramenta que esteja danificada ou modificada. As baterias danificadas ou modificadas podem ter um comportamento imprevisível, podendo causar incêndio, explosão ou risco de ferimentos.
- e. Não exponha a bateria ou a ferramenta ao fogo ou a temperatura excessiva. A exposição ou uma temperatura superior a 130 °C pode dar origem a uma explosão. NOTA: A temperatura "130 °C" pode ser substituída pela temperatura "265 °F".
- f. Siga todas as instruções de carregamento e não carregue a bateria ou a ferramenta fora da gama de temperaturas especificadas nas instruções. Se o carregamento não for efectuado correctamente ou se a temperaturas não estiverem de acordo com o limite especificado, a bateria pode ficar danificada e há um maior risco de incêndio.
- #### 6. Assistência
- a. A ferramenta eléctrica deve ser reparada por técnicos qualificados que utilizem apenas peças de substituição iguais. Desta forma, é garantida a segurança da ferramenta eléctrica.



**b. Nunca repare baterias danificadas.** A reparação das baterias só deve ser efectuada pelo fabricante ou por fornecedor de serviços autorizado (apenas para ferramentas com bateria).

- ♦ As crianças devem ser vigiadas para que não mexam no equipamento.

### Vibração

Os valores da emissão de vibração declarados na secção de dados técnicos e na declaração de conformidade foram medidos de acordo com o método de teste padrão fornecido pela EN EN62841 e podem ser utilizados para comparar ferramentas. O valor da emissão de vibração declarado pode ainda ser utilizado numa avaliação preliminar de exposição.



**Atenção!** O valor da emissão de vibração durante a utilização real da ferramenta eléctrica pode ser diferente do valor declarado, dependendo da forma como a ferramenta é utilizada. O nível de vibração pode aumentar acima do nível indicado.

Quando avaliar a exposição da vibração para determinar as medidas de segurança exigidas pela Directiva 2002/44/CE para proteger pessoas que utilizem frequentemente ferramentas eléctricas na sua actividade profissional, deve ser considerada uma estimativa de exposição de vibração, as condições reais de utilização e o modo de utilização da ferramenta, incluindo ainda todas as partes do ciclo de funcionamento, como os períodos de inactividade e espera da ferramenta, além do tempo de funcionamento.

### Etiquetas colocadas na ferramenta

A ferramenta apresenta os seguintes símbolos de aviso juntamente com o código de data:



**Atenção!** Para reduzir o risco de ferimentos, o utilizador deve ler o manual de instruções.



Não olhe fixamente para a luz de funcionamento

### Instruções de segurança adicionais para baterias e carregadores

#### Baterias

- ♦ Nunca abra a bateria, seja qual for o motivo.
- ♦ Não exponha a bateria à água.
- ♦ Não armazene em locais onde a temperatura possa exceder os 40°C.
- ♦ Carregue apenas a temperaturas ambiente entre 10 °C e 40 °C.
- ♦ Ao eliminar as baterias, siga as instruções indicadas na secção "Protecção do ambiente".

#### Carregadores

- ♦ Só deve utilizar o cabo de carregamento Micro USB fornecido (sem carregador) com o equipamento listado e certificado.

### Avisos de segurança adicionais para ferramentas eléctricas

- ♦ **Segure a ferramenta eléctrica pelas pegas isoladas quando executar uma operação em que o fecho possa entrar em contacto com cablagem oculta ou o próprio cabo.** Os fechos que entrem em contacto com um fio sob tensão eléctrica podem fazer com que as peças metálicas expostas da ferramenta conduzam electricidade e electrocutem o utilizador.
- ♦ **Utilize grampos ou outro sistema prático para fixar e apoiar a peça numa plataforma estável.** Segurar a peça com a mão ou contra o corpo pode causar instabilidade e perda de controlo.
- ♦ **Antes de utilizar fechos em paredes, tectos ou chãos, verifique a localização de cablagem e tubos.**
- ♦ **A utilização adequada é descrita neste manual de instruções.**
- ♦ **A utilização de qualquer acessório, dispositivo adicional ou a realização de qualquer operação com esta ferramenta que não esteja recomendada neste manual de instruções pode representar um risco de ferimentos e/ou danos materiais.**

### Riscos residuais

Os seguintes riscos são inerentes à utilização das serras:

- ♦ Ferimentos causados pelo contacto com as partes rotativas.

Mesmo com a aplicação dos regulamentos de segurança relevantes e com a implementação de dispositivos de segurança, alguns riscos residuais não podem ser evitados. Estes riscos são os seguintes:

- ♦ Perda de audição.
- ♦ Risco de acidentes causados por partes descobertas da lâmina da serra em rotação.
- ♦ Há o risco de ferimentos quando substituir a lâmina.
- ♦ Risco de entalar os dedos quando abrir as protecções.
- ♦ Perigos de saúde provocados pela inalação de poeiras produzidas durante o corte de madeira, especialmente carvalho, faia e placas de fibra de densidade média.

### Segurança de terceiros

- ♦ Esta ferramenta não deve ser utilizada por pessoas (incluindo crianças) que apresentem capacidades físicas, sensoriais ou mentais reduzidas ou que não possuam os conhecimentos e a experiência necessários, excepto se forem vigiadas e instruídas acerca da utilização da ferramenta por uma pessoa responsável pela sua segurança.

## Componentes

1. Interruptor para ligar/desligar
2. Corrediça de avanço/recuo
3. Luz de trabalho LED
4. Porta-brocas
5. Entrada de carregamento
- 5a. Indicador de carga (só é visível depois de ser ligado)
6. Conector USB

## Carregar a bateria (Fig. A, B)

- ♦ Insira o conector USB (6) na entrada de carregamento (5).
- ♦ Ligue o cabo de carregamento a uma fonte de alimentação adequada.
- ♦ Deixe a ferramenta ligada ao carregador durante 1 a 3 horas na fonte de alimentação utilizada.
- ♦ O indicador de carga (5a) acende-se durante o processo de carga.
- ♦ O indicador de carga (5a) desliga-se quando a carga for concluída.

## Montagem

### Colocar e retirar uma ponta de aparafusadora (Fig. C)

Esta ferramenta utiliza brocas de aparafusadora com uma haste hexagonal de 6,35 mm.

- ♦ Para encaixar uma ponta, insira o veio de pontas (8) no porta-pontas (4).
- ♦ Para retirar uma ponta, retire o respectivo veio (8) do porta-brocas (4).

## Funcionamento

### Luz de trabalho LED (Fig. D)

A luz de trabalho LED (3) é activada automaticamente quando o interruptor para ligar/desligar (1) é premido. O LED iluminar-se-á também quando o gatilho for premido e a corrediça de avanço/recuo (2) se encontrar na posição de bloqueio (posição central).

### Seleccionar a direcção de rotação (Fig. E)

Para apertar parafusos, utilize a rotação de avanço. Para desapertar parafusos, rode no sentido inverso

- ♦ Para seleccionar a rotação de avanço, empurre a corrediça de avanço/recuo (2) para a posição de avanço.
- ♦ Para seleccionar a rotação de recuo, empurre a corrediça de avanço/recuo (2) para a posição de recuo.
- ♦ Para bloquear a ferramenta, coloque o botão deslizante de avanço/recuo na posição central.

## Aparafusar

- ♦ Seccione a rotação de avanço ou recuo utilizando o botão deslizante de avanço/recuo (2).

- ♦ Para ligar a ferramenta, carregue no interruptor para ligar/desligar (1).
- ♦ Para desligar a ferramenta, liberte o interruptor para ligar/desligar (1).

## Sugestões para uma utilização óptima

### Aparafusar

- ♦ Utilize sempre o tipo e tamanho de pontas para aparafusadora correctos. Se os parafusos forem de difícil aperto, aplique uma pequena quantidade de líquido de lavagem ou sabão como lubrificante.
- ♦ Segure sempre a ferramenta e a ponta de aparafusadora em linha recta com o parafuso.

### Manutenção

A ferramenta BLACK+DECKER foi concebida para funcionar durante muito tempo com um mínimo de manutenção.

Uma utilização continuamente satisfatória depende de uma manutenção adequada da ferramenta e de uma limpeza frequente.

O carregador não necessita de manutenção para além da limpeza regular.



**Atenção!** Antes de efectuar qualquer tarefa de manutenção na ferramenta, assegure-se de que a corrediça de avanço/recuo está na posição de bloqueio central. Desligue o carregador da ficha antes de limpá-lo.

- ♦ Limpe com frequência o compartimento do motor com um pano húmido. Não utilize produtos de limpeza abrasivos ou à base de solventes.

### Protecção do ambiente



Faça uma recolha de lixo selectiva. Os produtos e as baterias assinalados com este símbolo não devem ser eliminados em conjunto com o lixo doméstico normal.

Os produtos e baterias contêm materiais que podem ser recuperados ou reciclados, reduzindo a necessidade de matérias-primas.

Recicle os produtos eléctricos e as baterias de acordo com as disposições locais. Estão disponíveis mais informações em [www.2helpU.com](http://www.2helpU.com)

### Dados técnicos

REVSD4C		
Tensão	V <sub>m</sub>	3,6
Velocidade sem carga	W	180
Binário de paragem	Nm	5,5
Binário máx.	Nm	5,5

REVSD4C		
Porta-brocas	mm	6,35
Peso	Kg	0,3

Bateria		
Tipo de bateria		lões de lítio
Classificação AH		1,5

Nível de pressão sonora de acordo com a norma EN 62841:		
Pressão sonora (L <sub>p</sub> ):	58,0 dB(A),	variabilidade (K): 3 dB(A)
Potência acústica (L <sub>wa</sub> ):	69,0 dB(A),	variabilidade (K): 3 dB(A)

Valores totais de vibração (soma de vectores triax) de acordo com a norma EN 62841:		
Apertar parafusos sem percussão (ah):	0,4 m/s <sup>2</sup> ,	variabilidade (K): 1,5 m/s <sup>2</sup>

## DECLARAÇÃO DE CONFORMIDADE da CE Directiva da maquinaria



Aparafusadora REVSD4C

A Black & Decker declara que os produtos descritos em "Dados técnicos" estão em conformidade com: 2006/42/CE, EN62841-1:2015, EN62841-2-2:2014

Para obter mais informações, contacte a Black & Decker através da morada indicada a seguir ou consulte o verso do manual.

Estes produtos estão também em conformidade com a Directiva 2014/30/UE e 2011/65/UE. O abaixo assinado é responsável pela compilação do ficheiro técnico e efectua esta declaração em nome da Black & Decker.

*Patrick Diepenbach*

Patrick Diepenbach  
Director-Geral, Benelux  
Black and Decker,  
Egide Walschaertsstraat 14-18  
2800 Mechelen, Bélgica  
20/01/2022

## Garantia

A Black & Decker confia na qualidade dos seus produtos e oferece aos clientes uma garantia de 24 meses a partir da data de compra. Esta garantia é um complemento dos seus direitos estabelecidos por lei, não os prejudicando de forma alguma.

A garantia é válida nos territórios dos Estados-membros da União Europeia, da Zona Europeia de Comércio Livre e no Reino Unido.

Para accionar a garantia, esta deve estar em conformidade com os termos e condições da Black & Decker e terá de apresentar comprovativos de compra ao vendedor ou a um técnico de reparação autorizado Black & Decker. Os termos e condições da garantia de 2 anos da Black & Decker e a localização do técnico de reparação autorizado mais próximo podem ser obtidos na Internet em [www.2helpU.com](http://www.2helpU.com) ou contactando uma filial da Black & Decker, cuja morada está indicada neste manual.

Visite o nosso Website [www.blackanddecker.co.uk](http://www.blackanddecker.co.uk) para registar o seu novo produto da Black & Decker e receber actualizações sobre novos produtos e ofertas especiais.

(Översättning av originalanvisningarna)

**SVENSKA**

## Avsedd användning

Din BLACK+DECKER™ REVSD4C skruvdragare är avsedd för skruvdragningsarbeten. Detta verktyg är endast avsett för konsumentbruk.

## Säkerhetsinstruktioner

### Allmänna säkerhetsanvisningar för elverktyg



**Varning! Läs alla säkerhetsvarningar, instruktioner, illustrationer och specifikationer som levereras med detta elverktyg.** Underlåtenhet att läsa alla instruktioner som listas här nedan kan resultera i elektrisk stöt, eldsvåda och/eller allvarlig personskada.

Spara alla säkerhetsföreskrifter och anvisningar för framtida bruk. Termen "elverktyg" i varningarna syftar på ditt nätanslutna (med kabel) elverktyg eller batteridrivna (sladdlösa) elverktyg.

### 1. Säkerhet på arbetsplatsen

- Håll arbetsområdet rent och ordentligt upplyst.** Belamrade och mörka områden inbjuder till olyckor.
- För att undvika explosionsrisk bör du inte använda elverktyget i omgivningar med brännbara vätskor, gaser eller damm.** Elverktyg skapar gnistor som kan antända damm eller ångor.
- Håll barn och andra personer på betryggande avstånd när du använder elverktyg.** Distractioner kan göra att du förlorar kontrollen.

### 2. Elsäkerhet

- Elverktygets stickkontakt måste passa i eluttaget. Modifiera aldrig kontakten på något sätt. Använd inga adapterkontakter tillsammans med jordade elverktyg.** Icke modifierade kontakter och passande uttag minskar risken för elektrisk stöt.

- b. **Undvik kroppskontakt med jordade ytor som t.ex. rör, värmeelement, spisar och kylskåp.** Det finns en ökad risk för elektrisk stöt om din kropp är jordansluten eller jordad.
- c. **Skydda elverktyget mot regn och väta.** Vatten som kommer in i ett elverktyg ökar risken för elektrisk stöt.
- d. **Om du måste använda ett elverktyg på en fuktig plats ska du använda jordfelsbrytare.** Användning av en jordfelsbrytare minskar risken för elektrisk stöt.

### 3. Personlig säkerhet

- a. **Var uppmärksam, titta på vad du gör och använd sunt förnuft när du använder ett elverktyg. Använd inte ett elverktyg när du är trött eller påverkad av droger, alkohol eller medicin.** Ett ögonblicks uppmärksamhet när du arbetar med elektriska verktyg kan leda till allvarliga personskador.
- b. **Använd personlig skyddsutrustning. Använd alltid skyddsglasögon.** Skyddsutrustning såsom skyddsmask, halksäkra säkerhetsskor, skyddshjälm eller hörselskydd som används för lämpliga förhållanden minskar personskador.
- c. **Undvik oavsiktlig start. Kontrollera att strömbrytaren står i avstängt läge innan du ansluter verktyget till elnätet eller sätter i batteriet, samt innan du tar upp eller bär verktyget.** Att bära elektriska verktyg med fingret på strömbrytaren eller att koppla strömmen till elektriska verktyg när strömbrytaren är på leder till olyckor.
- d. **Ta bort alla inställningsverktyg och skruvnycklar innan du startar elverktyget.** Ett verktyg eller en nyckel som har lämnats kvar på en roterande del av det elektriska verktyget kan orsaka kroppsskador.
- e. **Böj dig inte för långt. Ha ordentligt fotfäste och balans hela tiden.** Detta möjliggör bättre kontroll av elverktyget i oväntade situationer.
- f. **Klä dig på lämpligt sätt. Bär inte lösa kläder eller smycken. Håll hår och kläder borta från delar i rörelse.** Lösa kläder, smycken eller långt hår kan fastna i rörliga delar.
- g. **Om elverktyget har utrustning för dammsugning och -uppsamling ska du kontrollera att utrustningen är rätt monterad och används på korrekt sätt.** Användning av dammuppsamling kan minska dammrelaterade risker.
- h. **Låt inte erfarenheten som uppnås vid frekvent användning av verktyg låta dig bli för självsäker och ignorera verktygs säkerhetsprinciperna.** En oförsiktig handling kan orsaka allvarliga skador under bråkdelen av en sekund.

### 4. Användning och skötsel av elverktyg

- a. **Överbelasta inte elverktyget.** Använd rätt slags elverktyg för ditt arbete.

Det korrekta elverktyget gör arbetet bättre och säkrare vid den hastighet för vilket det konstruerades.

- b. **Använd inte elverktyget om det inte går att starta och stänga av det med strömbrytaren.** Ett elverktyg som inte kan kontrolleras med strömbrytaren är farligt och måste repareras.
  - c. **Dra ur kontakten från strömkällan och/eller ta bort batteriet från elverktyget, om det går att ta bort, innan du gör några justeringar, byter tillbehör eller lägger elverktygen till förvaring.** Sådana förebyggande säkerhetsåtgärder minskar risken att oavsiktligt starta elverktyget.
  - d. **Förvara elverktyg utom räckhåll för barn. Låt inte elverktyget användas av personer som inte är vana vid det, eller som inte läst denna bruksanvisning.** Elverktyg är farliga i händerna på ovana användare.
  - e. **Underhåll elverktyg och tillbehör. Kontrollera att rörliga komponenter fungerar felfritt och inte kärvar, att komponenter inte gått sönder eller skadats och inget annat föreligger som kan påverka elverktygets funktion. Om det är skadat, se till att elverktyget blir reparerat före användning.** Många olyckor orsakas av dåligt underhållna elektriska verktyg.
  - f. **Håll skärverktyg vassa och rena.** Korrekt underhållna kapverktyg med vassa skär är mindre troliga att de fastnar och är lättare att kontrollera.
  - g. **Använd elverktyget, tillbehör, insatsverktyg osv. enligt dessa anvisningar och på sätt som föreskrivits för aktuell verktygsmodell. Ta hänsyn till arbetsvillkoren och arbetsmomenten.** Användning av elverktyget för andra uppgifter än vad som avsetts kan resultera i farliga situationer.
  - h. **Håll handtagen och greppytorna torra, rena och fria från olja och fett.** Håll handtag och greppytor förhindrar säker hantering och kontroll av verktyget i oväntade situationer.
- ### 5. Batteriverktyg användning och vård (använd endast för batteriverktyg)
- a. **Använd elverktyget endast med batterier som är speciellt avsedda för ändamålet.** Användning av andra batteripaket kan utgöra en risk för personskador och brand.
  - b. **När batteriet inte används ska du hålla det åtskilt från metallföremål som gem, mynt, nycklar, spik, skruvar och andra små metallföremål som kan orsaka kortslutning mellan batteriets poler.** Kortslutning av batteripolerna kan leda till brännskador eller eldsvåda.

- c. **Under olämpliga förhållanden kan vätska spruta ut från batteriet. Undvik kontakt. Vid oavsiktlig kontakt, spola med vatten. Om vätskan kommer i kontakt med ögonen, sök också läkarhjälp.**

Vätska som sprutar ur batteriet kan orsaka sveda och brännskador.

- d. **Använd inte batteripaket eller verktyg som är skadade eller modifierade.** Skadade eller modifierade batterier kan uppvisa oförutsägbart beteende som kan leda till brand, explosion eller risk för skada.

- e. **Utsätt inte batteripaket eller verktyg för brand eller höga temperaturer.** Exponering för brand eller temperatur över 130 °C kan orsaka explosion. NOTERA: Temperaturen "130 °C" kan ersättas med temperaturen "265 °F".

- f. **Följ laddningsinstruktionerna och ladda inte batteripaketet eller verktyget utanför det temperaturområde som specificeras i instruktionerna.** Om du laddar batteriet felaktigt eller vid temperaturer utanför det angivna området kan det skada batteriet och öka risken för brand.

## 6. Service

- a. **Låt elverktyget endast repareras av kvalificerad fackpersonal och med originalreservdelar.** Detta säkerställer att elverktygets säkerhet bibehålles.
- b. **Utför aldrig service på skadade batteripaket.** Service på batteripaket skall endast utföras av tillverkaren eller auktoriserad servicepersonal (endast för batteriverktyg).

## Ytterligare säkerhetsanvisningar för elverktyg

- ♦ **Håll elverktyget i de isolerade greppytorna vid arbete där det riskerar att komma i kontakt med dolda elledningar eller med sin egen sladd.** Fästdon som kommer i kontakt med en strömförande ledning kan göra att exponerade metalldelar hos elverktyget blir strömförande och kan ge användaren en elektrisk stöt.
- ♦ **Använd klämmor eller något annat praktiskt sätt för att stödja arbetsstycket vid ett stabilt underlag.** Att hålla arbetsstycket för hand eller mot kroppen är instabilt och kan göra att du förlorar kontrollen.
- ♦ **Innan du driver in fästen i väggar, golv eller tak ska du kontrollera om du riskerar att komma åt rör eller elledningar.**
- ♦ **Avsedd användning beskrivs i denna bruksanvisning.**
- ♦ **Användning av andra tillbehör eller tillsatser, eller om någon annan åtgärd än de som rekommenderas i den här bruksanvisningen kan medföra risk för personskada och/eller skada på egendom.**

- ♦ Skador kan uppstå vid kontakt med rörliga delar. Även om alla relevanta säkerhetsföreskrifter följs och säkerhetsanordningar används kan vissa ytterligare risker inte undvikas. De är:

- ♦ Hörselnedsättning.
- ♦ Risk för olyckor orsakade av blottade delar av den roterande sågklingan.
- ♦ Risk för skador då bladet byts ut.
- ♦ Risk att fingrar kläms när skyddnen öppnas.
- ♦ Hälsofara orsakade av inandning av damm som uppkommer vid sågning av trä, särskilt ek, bok och MDF.

## Säkerhet för andra

- ♦ Verktyget ska inte användas av personer (inklusive barn) med nedsatt fysisk eller mental förmåga eller bristande erfarenhet och kunskap om de inte får vägledning och övervakas av en person som ansvarar för deras säkerhet.
- ♦ Barn bör övervakas för att garantera att de inte leker med apparaten.

## Vibrationer

De vibrationsvärden som anges i avsnitten Tekniska data och deklarationen om överensstämmelse har uppmätts i enlighet med en standardtestmetod föreskriven i EN62841 och kan användas för jämförelse med andra verktyg. Det angivna vibrationsvärdet kan även användas för en preliminär bedömning av exponeringen.



**Varning!** Vibrationsvärdet under faktisk användning av elverktyget kan skilja sig från det uppgivna värdet beroende på hur verktyget används. Vibrationsnivån kan överstiga den uppgivna nivån.

Vid uppskattningar av exponering för vibrationer i syfte att bedöma vilka säkerhetsåtgärder som är nödvändiga enligt 2002/44/EG för att skydda personer som regelbundet använder elverktyg i arbetet ska man utgå från de faktiska omständigheter under vilka elverktyget används och sättet på vilket det används. Bedömningen ska även ta hänsyn till alla moment i arbetscykeln, t.ex. när verktyget är avstängt och när det går på tomgång såväl som när det faktiskt används.

## Etiketter på verktyget

Följande varningssymboler finns på verktyget, tillsammans med datumkod:



**Varning!** Läs bruksanvisningen före användning för att minska risken för personskador.



Titta inte direkt in i arbetslampan

## Återstående risker

Följande risker följer med användning av sågar:

## Ytterligare säkerhetsinstruktioner för batterier och laddare

### Batterier

- ♦ Försök aldrig öppna batteriet.
- ♦ Utsätt inte batteriet för vatten.
- ♦ Förvara inte på platser där temperaturen kan bli högre än 40 °C.
- ♦ Ladda endast vid temperaturer mellan 10 °C och 40 °C.
- ♦ Följ instruktionerna som anges i avsnittet "Miljö" när du kastar batterierna.

### Laddare

- ♦ Endast mikro-usb-laddare medföljer (ingen laddare) använd endast med certifierad listad utrustning.

### Funktioner

1. Strömbrytare
2. Framåt-/bakåttreglage
3. LED-arbetslampa
4. Bitshållare
5. Laddningsuttag
- 5a. Laddningsindikator (syns inte förrän den är ansluten)
6. USB-kontakt

### Ladda batteriet (bild A och B)

- ♦ Sätt i USB-kontakten (6) i laddningsuttaget (5).
- ♦ Koppla in laddningssladden i ett lämpligt eluttag.
- ♦ Låt apparaten laddas i 1–3 timmar, beroende på strömkällan.
- ♦ Laddningsindikatorn (5a) kommer att lysa under laddningen.
- ♦ Laddningsindikatorn (5a) stängs av när laddningen är klar.

### Montering

#### Montera och ta bort en skruvbits (bild C)

Detta verktyg använder skruvbits med sexkantsfattning i storleken 6,35 mm.

- ♦ En skruvbit monteras genom att man för in dess skaft i hållaren (4).
- ♦ En skruvbit tas bort genom att du drar ut dess skaft (8) ur hållaren (4).

### Drift

#### LED-arbetsbelysning (bild D)

LED-arbetsbelysningen (3) aktiveras automatiskt när strömbrytaren (1) trycks in. LED-lampan tänds även om strömbrytaren trycks in när framåt-/bakåttreglaget (2) är i låsläge (mittenläget).

#### Välja rotationsriktning (bild E)

När du borrar och drar åt skruvar använder du framåtgående rotation. För att lossa skruvar, använd omvänd rotation

- ♦ Du väljer framåtgående rörelse genom att trycka framåt-/bakåttreglaget (2) till framåttläget.
- ♦ Du väljer bakåtgående rörelse genom att trycka framåt-/bakåttreglaget (2) till bakåttläget.
- ♦ Lås verktyget genom att sätta framåt-/bakåttreglaget i mittenläget.

#### Skruvdragning

- ♦ Välj framåt- eller bakåtgående rörelse genom att använda framåt-/bakåttreglaget (2).
- ♦ Starta verktyget genom att trycka in strömbrytaren (1).
- ♦ Stäng av verktyget genom att släppa upp strömbrytaren (1).

#### Tips för optimal användning

#### Skruvdragning

- ♦ Använd alltid skruvbits av rätt sort och storlek. Om en skruv är svår att dra åt kan du använda lite diskmedel eller tvål som smörjmedel.
- ♦ Håll alltid verktyget och skruvbitsen i en rät linje i förhållande till skruven.

#### Underhåll

Detta BLACK+DECKER-verktyg har konstruerats för att fungera under lång tid med ett minimum av underhåll. Med rätt underhåll och regelbunden rengöring behåller verktyget sin prestanda.

Laddaren behöver inget annat underhåll än regelbunden rengöring.



**Varning!** nnan du utför något underhåll på verktyget, se till att reglaget framåt/bakåt är i låst mittläge. Koppla ur laddaren innan du rengör den.

- ♦ Rengör motorhöljet regelbundet med en fuktig trasa. Använd aldrig något slipande eller lösningsmedelsbaserat rengöringsmedel.

#### Skydda miljön



Separat insamling. Produkter och batterier som är markerade med denna symbol får inte kastas i de vanliga hushållssoporna.

Produkterna och batterierna innehåller material som kan återvinnas eller återanvändas, vilket sänker behovet av råmaterial.

Återvinn elektriska produkter och batterier enligt lokala föreskrifter. Närmare information finns tillgänglig på [www.2helpU.com](http://www.2helpU.com)



## Tekniska data

REVSD4C		
Spänning	V <sub>bc</sub>	3,6
Obelastat varvtal	W	180
Vridmoment vid tvärstopp	Nm	5,5
Max vridmoment	Nm	5,5
Bitshållare	mm	6,35
Vikt	Kg	0,3

Batteri		
Batterityp		Li-jon
Ah-märkning		1,5

Ljudtrycksnivå enligt EN 62841:	
Ljudtryck (L <sub>w</sub> )	58,0 dB(A), osäkerhet (K) 3 dB(A)
Ljudtryck (L <sub>wa</sub> )	69,0 dB(A), osäkerhet (K) 3 dB(A)

Totala vibrationsvärden (vektorsumman av tre axlar) enligt EN 62841:	
Skrivdragning utan slagfunktion (ah)	0,4 m/s <sup>2</sup> , osäkerhet (K) 1,5 m/s <sup>2</sup>

## EG-försäkring om överensstämmelse

### Maskindirektiv



REVSD4C Skrivdragare

Black & Decker försäkrar att dessa produkter, beskrivna under "tekniska data" uppfyller:

2006/42/EG, EN62841-1:2015, EN62841-2-2:2014

Mer information får du genom att kontakta Black & Decker på följande adress eller titta i slutet av bruksanvisningen.

Dessa produkter överensstämmer även med direktiven 2014/30/EU och 2011/65/EU. Undertecknad är ansvarig för sammanställningen av tekniska data och gör denna försäkring för Black & Decker.

*Patrick Diepenbach*

Patrick Diepenbach  
General Manager, Benelux  
Black and Decker,  
Egide Walschaertsstraat 14-18  
2800 Mechelen, Belgien  
20/01/2022

## Garanti

Black & Decker är säker på kvaliteten hos denna produkt och erbjuder kunder 24 månaders garanti från inköpsdatumet. Denna garanti är ett tillägg till dina lagstadgade rättigheter och påverkar inte dessa på något sätt. Garantin är giltig i de områden som tillhör medlemsstaterna i Europeiska unionen och det europeiska frihandelsområdet samt Storbritannien. För yrkande under garantin måste yrkandet vara in enlighet med Black & Deckers villkor och du kommer att behöva skicka in bevis på köpet till försäljaren eller en auktoriserad reparatör. Villkoren för Black & Deckers tvååriga garanti och var du hittar din närmaste auktoriserade reparatör kan erhållas på internet på [www.2helpU.com](http://www.2helpU.com), eller genom att kontakta ditt lokala Black & Decker-kontor på adressen som anges i denna. Besök vår webbplats [www.blackanddecker.se](http://www.blackanddecker.se) för att registrera din nya Black & Decker-produkt samt för att få information om nya produkter och specialerbjudanden.

(Översettelse av de opprinnelige instruksjonene)

NORSK

## Tiltenkt bruk

Din BLACK+DECKER™ REVSD4C er beregnet for bruk som skrutrekker. Dette verktøyet er bare ment som et forbrukerverktøy.

## Sikkerhetsanvisninger

## Generelle sikkerhetsadvarsler for elektroverktøy



**Advarse!! Les alle sikkerhetsanvisninger, instruksjoner, illustrasjoner og spesifikasjoner som følger dette elektriske verktøyet.** Manglende overholdelse av instruksjonene som er listet opp under kan resultere i elektroshokk, ild og/eller alvorlig skade.

Ta vare på alle advarsler og instruksjoner for fremtidig bruk. Begrepet "elektroverktøy" i advarslene gjelder nettdrevet elektroverktøy (med ledning) eller batteridrevet elektroverktøy (uten ledning).

## 1. Sikkerhet i arbeidsområdet

- Hold arbeidsområdet rent og godt opplyst.** Rotete eller mørke områder er en invitasjon til ulykker.
- Ikke bruk verktøy i eksplosive omgivelser, slik som i nærheten av antenkelige væsker, gasser eller støv.** Elektrisk verktøy skaper gnister som kan antenne støv eller gasser.
- Hold barn og andre personer unna når du bruker et elektroverktøy.** Hvis du blir forstyrret under arbeidet, kan du miste kontrollen.

## 2. Elektrisk sikkerhet

- Støpelet til elektroverktøy må passe i stikkkontakten. Aldri modifierer støpelet på noen måte.**

**Ikke bruk adapterstøpsler til jordede elektriske verktøy.** Umodifiserte støpsler og stikkontakter som passer vil redusere risikoen for elektrisk sjokk.

- b. Unngå kroppskontakt med jordede overflater som rør, radiatorer, komfyrer og kjøleskap.** Det er økt fare for elektrisk støt dersom kroppen din er jordet.
- c. Hold elektroverktøy unna regn eller fuktighet.** Dersom det kommer vann i et elektroverktøy, øker faren for elektrisk støt.
- d. Dersom bruk av et elektrisk verktøy på et fuktig sted er unngåelig, bruk en strømkilde med jordfeilbryter (RCD).** Bruk av jordfeilbryter (RCD) reduserer risikoen for elektrisk støt.

### 3. Personlig sikkerhet

- a. Vær oppmerksom, hold fokus på hva du gjør og bruk sunn fornuft ved bruk av elektriske verktøy.** Ikke bruk elektriske verktøy dersom du er trett eller under påvirkning av narkotika, alkohol eller medisiner. Ett øyeblikks uoppmerksomhet under bruk av elektriske verktøy kan føre til alvorlig personskade.
- b. Bruk personlig verneutstyr.** Bruk alltid vernebriller. Verneutstyr slik som støvmaske, skliskre vernesko, hjelm, eller hørselsvern brukt under passende forhold vil redusere personskader.
- c. Unngå utilsiktet oppstart.** Kontroller at bryteren står i posisjon «av» før du kobler til strømkilden og/eller batteripakken, og før du tar opp eller bærer verktøyet. Å bære elektriske verktøy med fingeren på bryteren eller å sette inn støpselet mens elektriske verktøy har bryteren på øker faren for ulykker.
- d. Fjern eventuelle justeringsnøkler før du slår på det elektriske verktøyet.** En nøkkel som er festet til en roterende del av det elektriske verktøyet kan føre til personskade.
- e. Ikke strekk deg for langt. Ha godt fotfeste og stå støtt hele tiden.** Dette fører til at du har bedre kontroll over det elektriske verktøyet ved uventede situasjoner.
- f. Bruk egnet antrekk.** Ikke ha på deg løstsittende klær eller smykker. Hold hår og klær borte fra bevegelige deler. Løstsittende klær, smykker og langt hår kan bli fanget opp av bevegelige deler.
- g. Hvis det kan monteres støvavsug- og oppsamlingsinnretninger, må du forvise deg om at disse er tilkoblet og brukes på riktig måte.** Bruk av støvoppsamlere kan redusere støvrelaterte farer.
- h. Ikke la erfaring med hyppig bruk av verktøy la deg bli likegyldig og ignorere verktøyetets sikkerhetsregler.** En uforsiktig handling kan føre til alvorlig personskade på brøkdelen av et sekund.

### 4. Bruk og stell av elektriske verktøy

- a. Ikke bruk makt på elektroverktøyet. Bruk korrekt elektrisk verktøy for jobben som skal gjøres.** Det riktige elektriske verktøyet vil gjøre jobben bedre og tryggere ved den hastigheten det ble konstruert for.
- b. Ikke bruk elektroverktøyet hvis du ikke kan slå det på og av med bryteren.** Ethvert elektrisk verktøy som ikke kan kontrolleres med bryteren er farlig og må repareres.
- c. Trekk støpselet ut av stikkontakten og/eller koble fra batteripakken, hvis den er avtakbar, fra elektroverktøyet før du foretar noen justeringer, endrer tilbehør eller lagrer elektroverktøy.** Slike preventive sikkerhetsforanstaltninger reduserer risikoen for å starte det elektriske verktøyet ved et uhell.
- d. Elektroverktøy som ikke er i bruk, må oppbevares utilgjengelig for barn.** Ikke la verktøyet bli brukt av personer som ikke er fortrolig med det, eller som ikke har lest denne bruksanvisningen. Elektriske verktøy er farlige i hendene på utrenede brukere.
- e. Sørg for vedlikehold av elektroverktøy og tilbehør.** Undersøk om bevegelige deler er feiljustert eller blokkert, om deler er skadet, og om det er andre forhold som kan påvirke elektroverktøyet funksjon. Dersom det er skadet, få verktøyet reparert før neste bruk. Mange ulykker forårsakes av dårlig vedlikeholdte verktøy.
- f. Hold skjæreverktøy skarpe og rene.** Godt vedlikeholdte skjæreverktøy med skarpe skjærekanter setter seg mindre sannsynlig fast og er lettere å kontrollere.
- g. Bruk elektroverktøy, tilbehør, bits osv. i henhold til disse instruksjonene. Ta hensyn til arbeidsforholdene og arbeidet som skal utføres.** Bruk av det elektriske verktøyet for oppgaver som er forskjellige fra de som er tiltenkt kan føre til en farlig situasjon.
- h. Hold håndtakene og gripeflatene tørre, rene og frie for olje og fett.** Glatte håndtak og gripeflater forhindrer trygg håndtering og kontroll av verktøyet i uventede situasjoner.

### 5. Bruk og stell av batteriverktøy (kun for batteriverktøy)

- a. Bruk elektroverktøy bare med spesifikt angitte batteripakker.** Bruk av andre batteripakker kan føre til risiko for personskade og brann.
- b. Når batteripakken ikke er i bruk, må du oppbevare den atskilt fra andre metallgjenstander som binders, mynter, nøkler, spiker, skruer eller andre små metallgjenstander som kan opprette en forbindelse fra en terminal til en annen.**



Kortslutning av batteripolene mot hverandre kan føre til brannskader eller brann.

- c. **Ved feilaktig bruk kan det komme væske ut av batteriet, unngå kontakt med den. Dersom du kommer i kontakt med den, skyll av med vann. Dersom du får væsken i øynene, søk legehjelp.** Væske som kommer ut av batteriet kan føre til iritasjon eller brannskader.
- d. **Batteripakke eller verktøy som er skadet eller modifisert skal ikke brukes.** Batterier som er skadet eller modifisert kan ha uventet oppførsel og føre til brann, eksplosjon eller personskafer.
- e. **Batteripakken skal ikke utsettes for brann eller for høy temperatur.** Eksponering for brann eller temperaturer over 130 °C kan føre til eksplosjon. MERK: Temperaturen "130 °C" kan erstattes av temperaturen "265 °F".
- f. **Følg alle ladeinstrukser og ikke lade batteripakken eller verktøyet utenfor temperaturområdet som angitt i bruksanvisningen.** Feil lading eller ved temperaturer utenfor det angitt området kan skade batteriet og øke faren for brann.

## 6. Service

- a. **Elektroverktøy skal alltid repareres av kvalifisert personell og bare med originale reservedeler.** Dette vil sikre at verktøyets sikkerhet blir ivarettatt.
- b. **Skadede batteripakker skal aldri repareres.** Service på batteripakker skal kun utføres av produsenten eller autoriserte serviceverksteder (kun for batteriverktøy).

## Ytterligere sikkerhetsadvarsler for elektroverktøy

- ◆ **Hold elektroverktøyet i de isolerte gripeoverflatene når du utfører et arbeid der festeordningen kan komme i kontakt med skjulte ledninger eller verktøyets egen ledning.** Skruer som kommer i kontakt med en strømførende ledning kan føre til at eksponerte metalldeleer på elektroverktøyet blir strømførende, og kan gi brukeren støt.
- ◆ **Bruk tvinger eller annen praktisk måte å sikre og holde arbeidsstykket på et stabilt underlag.** Å holde arbeidsstykket i hendene eller mot kroppen er ustabil og kan føre til at du mister kontroll.
- ◆ **Før du setter inn fester i vegger, gulv eller tak, kontroller plasseringen av kabler og rør.**
- ◆ **Bruksområdet er beskrevet i denne bruksanvisningen.**
- ◆ **Hvis du bruker annet tilbehør, kobler til annet utstyr eller bruker dette produktet til andre oppgaver enn det som er anbefalt i denne håndboken, kan det medføre fare for personskafer og/eller skade på eiendom.**

- ◆ **Personskader som følge av å berøre roterende deler.** Selv om relevante sikkerhetsbestemmelser blir fulgt og sikkerhetstiltakene blir gjennomført, er visse former for risiko likevel uunngåelig. Disse er:
  - ◆ Hørselskader.
  - ◆ Fare for ulykker fra utildekkede deler av det roterende sagbladet.
  - ◆ Fare for skade ved bytting av bladet.
  - ◆ Risiko for klemte fingre ved åpning av beskyttelsene.
  - ◆ Helsefarer som skyldes innånding av støv som oppstår ved saging av tre, spesielt eik, bøk og MDF.

## Andre personers sikkerhet

- ◆ Det er ikke meningen at dette verktøyet skal brukes av personer (inkludert barn) med reduserte fysiske, sansemessige eller mentale evner, eller personer som mangler erfaring og kunnskap, med mindre de har fått oppløring eller instruksjoner for bruken av verktøyet fra en person som er ansvarlig for deres sikkerhet.
- ◆ Barn må holdes under oppsyn, sørg for at de ikke leker med apparatet.

## Vibrasjon

Vibrasjonsemissionsverdien som er angitt under tekniske data og samsvarserklæring, er blitt målt i henhold til en standard testmetode som er angitt i EN62841, og kan brukes til å sammenligne et verktøy med et annet. Den oppgitte vibrasjonsemissionsverdien kan også brukes til en foreløpig vurdering av eksponering.



**Advarsel!** Vibrasjonsemissionsverdien under faktisk bruk av elektroverktøyet kan avvike fra den oppgitte verdien avhengig av måten verktøyet blir brukt på. Vibrasjonsnivået kan øke over nivået som er oppgitt.

Under vurdering av vibrasjonseksponering for å bestemme sikkerhetstiltak som kreves i 2002/44/EF for å beskytte personer som bruker elektroverktøy regelmessig i arbeidet, skal det tas hensyn til de faktiske bruksforholdene og måten verktøyet blir brukt på. Dette gjelder alle deler av brukssyklusen – også de gangene verktøyet er slått av, når det går på tomgang, samt tiden utløseren er inne.

## Etiketter på verktøyet

Følgende advarselssymboler vises på verktøyet sammen med datokoden:



**Advarsel!** Brukeren må lese håndboken for å redusere risikoen for personskafer.



Ikke se direkte på lampen når den er på

## Restrisikoer

Følgende risikoer er alltid tilstede ved bruk av sager:

## Ytterligere sikkerhetsinstruksjoner for batterier og ladere

### Batterier

- ♦ Forsøk aldri å åpne av noen årsak.
- ♦ Ikke utsett batteriet for vann.
- ♦ Ikke oppbevar det på steder hvor temperaturen kan komme over 40 °C.
- ♦ Skal bare lades ved omgivelsestemperaturer mellom 10 °C og 40 °C.
- ♦ Følg instruksene som finnes i avsnittet "Miljø" når du skal kaste batterier.

### Ladere

- ♦ Kun micro-USB ladekabel medfølger (ingen lader), skal kun brukes med sertifisert og angitt utstyr.

### Funksjoner

1. På/av-bryter
2. Glidebryter for fremover/bakover
3. LED-arbeidslampe
4. Bitholder
5. Ladeport
- 5a. Ladeindikator (ikke synlig før innsplugging)
6. USB-kontakt

### Ladning av batteriet (figur A og B)

- ♦ Sett USB-kontakten (6) i ladeporten (5).
- ♦ Sett støpselet til laderen i en passende stikkontakt.
- ♦ La verktøyet være tilkoblet laderen i 1 til 3 timer.
- ♦ Ladeindikatoren (5a) lyser under ladingen.
- ♦ Ladeindikatoren (5a) slår seg av når ladingen er ferdig.

### Montering

#### Sette på og ta av skrutrekkerbit (figur C)

Dette verktøyet bruker skrutrekkerbiter med 6,35 mm sekskantet skaft.

- ♦ For å sette på en bit setter du bitskaftet (8) inn i bitholderen (4).
- ♦ Når du skal fjerne en bit, trekker du bitskaftet (8) ut av bitholderen (4).

### Bruk

#### LED-arbeidslampe (figur D)

LED-arbeidslampen (3) aktiveres automatisk når på/av bryteren (1) trykkes inn. Lampen lyser også når utløseren blir trykket inn og glidebryteren for fremover/bakover (2) er i låst stilling (midtstilling).

#### Velge rotasjonsretning (figur E)

For å skru inn skruer, velg rotasjon fremover. For å løsen skruer brukes rotasjon bakover.

- ♦ Når du skal velge rotasjon fremover, skyver du glidebryteren (2) for fremover/bakover til fremre stilling.
- ♦ Når du skal velge rotasjon bakover, skyver du glidebryteren (2) for fremover/bakover til bakre stilling.
- ♦ Når du skal låse verktøyet, setter du glidebryteren for fremover/bakover i midtstillingen.

### Bruk som skrutrekker

- ♦ Velg rotasjon fremover eller bakover med glidebryteren for fremover/bakover (2).
- ♦ Trykk på av/på-knappen (1) for å slå verktøyet på.
- ♦ Slipp av/på-knappen (1) for å slå verktøyet av.

### Råd for optimal bruk

#### Bruk som skrutrekker

- ♦ Bruk alltid riktig type og størrelse av skrutrekkerbit. Hvis skruer er vanskelige å stramme, prøver du å bruke litt flytende vaskemiddel eller såpe som smøremiddel.
- ♦ Hold alltid verktøyet og skrutrekkerbiten i rett linje med skruen.

### Vedlikehold

BLACK+DECKER-verktøyet ditt er konstruert for å være i drift over lengre tid med et minimum av vedlikehold. For at det skal fungere tilfredsstillende over tid, sørg for riktig stell av verktøyet og regelmessig renhold.

Laderen krever ikke annet vedlikehold enn regelmessig rengjøring.



**Advarsel!** Før du foretar vedlikehold på verktøyet, forsikre deg om at glidebryteren for fremover/bakover er i låst mellomposisjon. Trekk ut støpselet på laderen før rengjøring.

- ♦ Rengjør motorhuset regelmessig med en fuktig klut. Ikke bruk slipende eller løsemiddelbaserte rengjøringsmidler.

### Miljøvern



Separat avfallshåndtering. Produkter og batterier merket med dette symbolet skal ikke kastes i vanlig husholdningsavfall.

Produkter og batterier inneholder materialer som kan gjenbrukes eller gjenvinnes for å redusere behovet for nye råmaterialer.

Vennligst lever elektrisk utstyr og batterier til gjenbruk i henhold til lokale retningslinjer. Mer informasjon finner du på [www.2helpU.com](http://www.2helpU.com)

### Tekniske data

REVSD4C		
Spenning	V <sub>in</sub>	3,6
Ubelastet hastighet	W	180

REVSD4C		
Fastkjøringsmoment	Nm	5,5
Maks. dreiemoment	Nm	5,5
Bit holder	mm	6,35
Vekt	Kg	0,3

Batteri		
Batteritype		Li-Ion
Ah-klassifisering		1,5

Lydtrykknivå i henhold til EN 62841:		
Lydtrykk (L <sub>wa</sub> )	58,0dB(A), usikkerhet (K) 3dB(A)	
Lydeffekt (L <sub>wa</sub> )	69,0 dB(A), usikkerhet (K) 3 dB(A)	

Totale vibrasjonsverdier (triaks vektorsum) bestemt i samsvar med EN 62841:		
Skrutrekking uten slag (ah)	0,4 m/s <sup>2</sup> , usikkerhet (K) 1,5 m/s <sup>2</sup>	

## EU-samsvarerklæring Maskindirektivet



### REVSD4C Skrutrekker

Black & Decker erklærer at disse produktene, som er beskrevet under "Tekniske data", er i samsvar med: 2006/42/EC, EN62841-1:2015, EN62841-2-2:2014

For mer informasjon, kontakt Black & Decker på adressen nedenfor, eller se på baksiden av bruksanvisningen.

Disse produktene er også i samsvar med direktiv 2014/30/EU og 2011/65/EU. Undertegnede er ansvarlig for utarbeidelsen av den tekniske dokumentasjonen og gir denne erklæringen på vegne av Black & Decker.

*Patrick Diepenbach*

Patrick Diepenbach  
General Manager, Benelux  
Black and Decker,  
Egide Walschaertsstraat 14-18  
2800 Mechelen, Belgia  
20.1 2022

## Garanti

Black & Decker er trygg på kvaliteten av produktene sine og tilbyr en 24 måneders garanti fra kjøpsdato. Denne garantierklæringen kommer i tillegg til dine lovbestemte rettigheter og er ikke i konflikt med disse. Garantien er gyldig innen områdene tilhørende medlemstandene i den Europeiske Union (EU), det Europeiske Frihandelsområdet (EFTA) og i Storbritannia.

For å ta garantien i bruk må kravet være i samsvar med kjøpsbetingelsene fra Black & Decker og du må vise kjøpskvittering til forhandleren eller til et autorisert serviceverksted. Betingelsene for Black & Deckers 2 års garanti og adressen til din nærmeste autoriserte serviceverksted kan du finne på internett under [www.2helpU.com](http://www.2helpU.com), eller ved å kontakte ditt lokale Black & Decker kontor, adressen er angitt i denne bruksanvisningen. Besøk våre nettsider på [www.blackanddecker.no](http://www.blackanddecker.no) for å registrere ditt nye Black & Decker-produkt og for å få informasjon om nye produkter og spesialtilbud.

(Oversættelse af de oprindelige instruktioner)

DANSK

## Tilsigtet brug

Din BLACK+DECKER™ REVSD4C-skruemaskine er konstrueret til skruetrækker-applikationer. Værktøjet er kun beregnet til privat brug.

## Sikkerhedsinstruktioner

### Generelle sikkerhedsadvarsler vedrørende elværktøj



**Advarsel! Læs alle sikkerhedsadvarsler, instruktioner, illustrationer og specifikationer, der følger med dette elværktøj.** Manglende overholdelse af alle nedenstående instruktioner kan medføre elektrisk stød, brand og/eller alvorlige kvæstelser.

Gem alle advarsler og instruktioner til fremtidig reference. Begrebet "elværktøj", der benyttes i nedenstående advarsler, henviser til dit elværktøj med elnetttilslutning (med ledning) eller batteridrevne værktøj (uden ledning).

#### 1. Sikkerhed i arbejdsområdet

- Sørg for, at arbejdsområdet er rent og godt oplyst.** Rodede eller mørke områder giver anledning til ulykker.
- Brug ikke elværktøj i eksplosive omgivelser, f.eks. hvor der er brændbare væsker, gasser eller støv.** Elværktøj danner gnister, der kan antænde støv eller dampe.
- Hold børn og andre personer på afstand, når et elværktøj er i brug.** Distraktioner kan medføre, at du mister kontrollen.

## 2. Elektricitet og sikkerhed

- a. **Elværktøjsstik skal passe til stikkontakten. Stikket må aldrig modificeres på nogen måde. Undlad at bruge adapterstik sammen med (jordforbundet) elektrisk værktøj.** Umodificerede stik og dertil passende stikkontakter reducerer risikoen for elektrisk stød.
- b. **Undgå kropskontakt med jordforbundne overflader som f.eks. rør, radiatorer, komfurer og køleskabe.** Der er øget risiko for elektrisk stød, hvis din krop er jordforbundet.
- c. **Elværktøj må ikke udsættes for regn eller fugt.** Hvis der trænger vand ind i et elektrisk værktøj, øges risikoen for elektrisk stød.
- d. **Brug en strømkilde med fejlstrømsbeskyttelse, hvis det er uundgåeligt at anvende elværktøj på fugtige steder.** Ved at benytte en fejlstrømsafbryder reduceres risikoen for elektrisk stød.

## 3. Personsikkerhed

- a. **Vær opmærksom, hold øje med, hvad du gør, og brug din sunde fornuft, når du betjener et elværktøj.** Anvend ikke et elværktøj, mens du er træt eller påvirket af stoffer, alkohol eller medicin. Et øjeblikvis uopmærksomhed under anvendelse af et elektrisk værktøj kan forårsage alvorlige kvæstelser.
- b. **Anvend personligt beskyttelsesudstyr. Bær altid beskyttelsesbriller.** Det er muligt at reducere risikoen for kvæstelser ved alt efter omstændighederne at anvende det passende sikkerhedsudstyr såsom en støvmaske, skridsikre sikkerhedssko, sikkerhedshjelm eller høreværn.
- c. **Sørg for, at værktøjet ikke kan starte utilsigtet. Kontrollér, at afbryderkontakten står på slukket, inden værktøjet tilsluttes strømkilden og/eller batteriet, samles op eller bæres.** Når elektrisk værktøj bæres med fingeren på kontakten eller tilsluttes, når kontakten er tændt, giver det anledning til ulykker.
- d. **Fjern indstillingsværktøj eller skruenøgle, inden elværktøjet tændes.** En skruenøgle eller anden nøgle, der bliver siddende på en roterende del af elektrisk værktøj, kan give anledning til personskade.
- e. **Undlad at række for langt. Hold hele tiden en god fodstilling og balance.** Dette udgør at du har bedre kontrol over det elektriske værktøj, når uventede situationer opstår.
- f. **Bær hensigtsmæssig påklædning. Bær ikke løst tøj eller smykker. Hold dit hår og tøj væk fra bevægelige dele.** Løstsiddende tøj, smykker eller langt hår kan blive fanget i bevægelige dele.

- g. **Hvis støvudsugnings- og opsamlingsudstyr kan monteres, er det vigtigt, at dette tilsluttes og benyttes korrekt.** Anvendelse af støvopsamlingsudstyr kan begrænse farer forårsaget af støv.
- h. **Lad ikke kendskab fra hyppig brug af værktøjer gøre dig uforsigtig og få dig til at ignorere principperne for værktøjssikkerhed.** En uforsigtig handling kan forårsage alvorlig personskade på en brøkdæl af et sekund.

## 4. Brug og vedligeholdelse af elværktøj

- a. **Undgå at overbelaste elværktøjet. Brug det korrekte elværktøj til din opgave.** Det korrekte elværktøj klarer opgaven bedre og mere sikkert med den effekt, som det er konstrueret til.
- b. **Brug ikke elværktøjet, hvis afbryderen er defekt.** Alt elværktøj, der ikke kan kontrolleres med kontakten, er farligt og skal repareres.
- c. **Træk stikket ud af stikkontakten og/eller fjern batterienheden fra det elektriske værktøj, hvis det kan udtages, før det elektriske værktøj justeres, dets tilbehør udskiftes, eller det stilles til opbevaring.** Sådanne forebyggende sikkerhedsforanstaltninger mindsker risikoen for, at værktøjet startes utilsigtet.
- d. **Opbevar ubenyttet elværktøj uden for børns rækkevidde. Elværktøjet må ikke bruges af personer, der ikke er fortrolige med det, eller som ikke har gennemlæst disse instruktioner.** El-værktøj er farligt i hænderne på personer, som ikke er instrueret i brugen deraf.
- e. **Elværktøj og tilbehør skal vedligeholdes. Kontroller, om bevægelige dele er skæve og ikke sidder fast, og om delene er brækket eller beskadiget, så elværktøjets funktion påvirkes. Hvis det elektriske værktøj er beskadiget, skal det repareres før brug.** Mange ulykker er forårsaget af dårligt vedligeholdt værktøj.
- f. **Sørg for, at skæreværktøjer er skarpe og rene.** Ordentligt vedligeholdt skæreværktøj med skarpe skærekanter har mindre tilbøjelighed til at klemme sig fast og er lettere at styre.
- g. **Brug elværktøjet, tilbehøret, indsatsværktøj osv. i overensstemmelse med disse instruktioner under hensyntagen til arbejdsforholdene og arbejdet, der skal udføres med værktøjet.** Brug af elektrisk værktøj til andre opgaver end dem, det er beregnet til, kan resultere i en farlig situation.
- h. **Hold håndtagene og håndtagsfladerne tørre, rene og fri for olie og fedt.** Sikker håndtering og kontrol over værktøjet er ikke mulig med glatte håndtag og gribeblader i uventede situationer.

## 5. Brug og pleje af batteriværktøj (bruges kun til batteriværktøjer)

- a. **Brug kun elværktøj sammen med batteripakker, der er specifikt beregnet hertil.** Brugen af andre batteripakker kan medføre personskaade og brand.
- b. **Når batteripakken ikke er i brug, skal den holdes på afstand af andre metalgenstande, f.eks. papirclips, mønter, nøgler, søm, skruer og andre små metalgenstande, som kan skabe forbindelse mellem de to poler.** Kortslutning af batteriet kan forårsage forbrændinger eller brand.
- c. **Under grove forhold kan væske sive ud fra batteriet; undgå kontakt.** Hvis der opstår kontakt ved et uheld, skyl med vand. Hvis væske kommer ind i øjnene, søg omgående lægehjælp. Væske, der siver ud fra batteriet, kan fremkalde irriterationer eller forbrændinger.
- d. **Brug ikke en batteripakke eller et værktøj, der er beskadiget eller modificeret.** Beskadigede eller modificerede batterier kan udvise uforudsigelig adfærd, hvilket kan resultere i brand, eksplosion eller risiko for personskaade.
- e. **Udsæt ikke en batteripakke eller et værktøj for ild eller for høj temperatur.** Eksponering for ild eller temperatur på over 130 °C kan forårsage eksplosion. BEMÆRK: Temperaturen „130 °C“ kan erstattes af temperaturen „265 °F“.
- f. **Følg alle opladningsanvisninger, og undlad at oplade batteripakken eller værktøjet uden for det temperaturinterval, der er specificeret i instruktionerne.** En forkert opladning eller opladning uden for det specificerede interval kan beskadige batteriet og øge risikoen for brand.

## 6. Service

- a. **Få altid elværktøjet repareret af kvalificerede fagfolk udelukkende med identiske reservedele.** Derved sikres det, at værktøjets driftssikkerhed opretholdes.
- b. **Beskadigede batteripakker må aldrig serviceres.** Service af batteripakker bør kun udføres af producenten eller autoriserede serviceudbydere (bruges kun til batteriværktøjer).

## Yderligere sikkerhedsadvarsler for elværktøj

- ◆ **Hold fat om elværktøjets isolerede gribeblader, når du udfører arbejde, der indebærer en risiko for, at beslaget kommer i kontakt med skjulte ledninger eller værktøjets egen ledning.** Hvis beslag kommer i kontakt med en strømførende ledning, bliver elværktøjets blottagte dele strømførende, så brugeren får stød.

- ◆ **Brug klemmer eller en anden praktisk måde for at fastgøre og understøtte arbejdsområdet til et stabilt underlag.** Hvis du holder fat i arbejdsområdet med hånden eller mod din krop, kan det blive ustabil, og du muligvis mister kontrollen over det.
- ◆ **Vær opmærksom på placeringen af ledninger og rør, inden der skrues fastgørelseselementer i vægge, gulve eller lofter.**
- ◆ **Den tilsigtede anvendelse er beskrevet i denne betjeningsvejledning.**
- ◆ **Brug af ekstraudstyr eller tilbehør eller udførelse af andre opgaver med dette værktøj end dem, der anbefales i denne vejledning, kan resultere i risiko for kvæstelser og/eller materielle skader.**

## Tilbageværende risici

De følgende risici er uløseligt forbundet med brugen af save:

- ◆ Skader som følge af berøring af roterende dele.
- Selv ved overholdelse af relevante sikkerhedsforskrifter og anvendelse af sikkerhedsudstyr kan visse restrisici ikke undgås. Disse omfatter:
- ◆ Hørenedsættelse.
  - ◆ Risiko for ulykker på grund af udekkede dele ved den roterende savklinge.
  - ◆ Risiko for skade ved udskiftning af klingens.
  - ◆ Risiko for at klemme fingre ved åbning af beskyttelsesskærme.
  - ◆ Helbredsmæssige skader på grund af indånding af støv, der udvikles ved savning i træ, specielt eg, bøg og MDF.

## Andres sikkerhed

- ◆ Dette værktøj må ikke bruges af personer (herunder børn) med nedsatte fysiske, sensoriske eller mentale evner eller manglende erfaring og viden, medmindre det sker under overvågning, eller der gives instruktion i brugen af værktøjet af en person, der er ansvarlig for deres sikkerhed.
- ◆ Børn skal overvåges for at sikre, at de ikke leger med udstyret.

## Vibration

De angivne værdier for udsendelse af vibration anført under de tekniske data og overensstemmelseserklæringen er målt i henhold til standardtestmetoden i EN62841 og kan bruges til at sammenligne ét værktøj med et andet. Den angivne vibrationsmissionsværdi kan også bruges i forbindelse med en foreløbig vurdering af eksponeringen.



**Advarsel!** Vibrationsemissionsværdien i forbindelse med den faktiske anvendelse af elværktøjet kan afvige fra den angivne værdi afhængigt af metoden, hvormed værktøjet anvendes. Vibrationsniveauet kan overstige det angivne niveau.

Når vibrationseksponeringen evalueres for at specificere sikkerhedsforanstaltninger, som er påkrævet i 2002/44/EF til beskyttelse af personer, der jævnligt udfører arbejde med elværktøj, skal der tages hensyn til de faktiske betingelser under brugen, og måden værktøjet bruges på, herunder alle arbejdsryttersens afsnit, f.eks. perioder, hvor værktøjet er slukket, og hvor det kører i tomgang, tillige med startperioderne.

## Mærkatere på værktøjet

Værktøjet er forsynet med følgende advarselssymboler samt datokoden:



**Advarsel!** Brugeren skal læse brugervejledningen for at reducere risikoen for kvæstelser.



Kig ikke ind i lampen, når den er tændt

## Yderligere sikkerhedsvejledninger for batterier og ladere

### Batterier

- Forsøg aldrig at åbne den af en eller anden grund.
- Batteriet må ikke udsættes for fugt.
- Opbevar ikke batterier på steder, hvor temperaturen kan overstige 40°C.
- Foretag kun opladning ved omgivelsestemperaturer mellem 10°C og 40°C.
- Følg ved bortskaffelse af batterier vejledningen i afsnittet "Miljø".

### Opladere

- Kun Micro USB-opladningskabel en del af leveringsomfanget (ingen oplader), må kun anvendes med certificeret udstyr fra listen, der er opført på listen.

### Funktioner

1. Afbryderkontakt
2. Retningsomskifter
3. LED-arbejdslys
4. Bitholder
5. Opladningstilslutning
- 5a. Opladningsindikator (ikke synlig før værktøjet tilsluttes)
6. USB-stik

### Opladning af batteriet (fig. A, B)

- Isæt USB-stikket (6) i opladningstilslutningen (5).
- Tilslut opladerledningen til en velegnet strømforsyning.
- Sørg for, at værktøjet er tilsluttet opladeren i 1-3 timer alt efter den pågældende strømforsyning.
- Opladningsindikatoren (5a) lyser under opladning.

- Opladningsindikatoren (5a) slukker, når opladningen er afsluttet.

## Samling

### Montering og afmontering af skruetrækker-bit (fig. C)

Til dette værktøj skal der anvendes bits MED sekskantet 6,35 mm skaft.

- For at montere en bit skal bit-skaft (8) anbringes i bit-holder (4).
- For at afmontere en bit skal bit-skaft (8) trækkes ud af bit-holder (4).

## Betjening

### LED-arbejdslys (fig. D)

LED-arbejdslyset (3) aktiveres automatisk, når der trykkes på tænd/sluk-kontakten (1). LED'en lyser også, når udløseren er trykket ned, og retningsomskifteren (2) befinder sig i låst position (midterstilling).

### Valg af rotationsretning (fig. E)

Anvend rotation i fremadgående retning til at spænde skruer fast. Anvend rotation i bagudgående retning til at løsne skruer.

- Skub retningsomskifter (2) i position fremad for at vælge rotation i fremadgående retning.
- Skub retningsomskifter (2) i position bagud for at vælge rotation i bagudgående retning.
- Lås værktøjet ved at anbringe retningsomskifteren i midterstilling.

### Iskruning

- Vælg fremad- eller bagudgående retning vha. retningsomskifter (2).
- Tænd for værktøjet ved at trykke på afbryderkontakten (1).
- Sluk for værktøjet ved at udløse afbryderkontakten (1).

## Gode råd mhp. optimal brug

### Iskruning

- Brug altid den rette type og størrelse skruetrækkerbit. Prøv at smøre lidt opvaskemiddel eller sæbe på skruen, hvis den er vanskelig at spænde.
- Hold altid værktøjet og skrubittene i lige linje med skruen.

### Vedligeholdelse

Dit BLACK+DECKER-værktøj er beregnet til brug gennem lang tid med et minimum af vedligeholdelse. Vedvarende tilfredsstillende funktion er afhængig af, om værktøjet plejes korrekt og rengøres regelmæssigt. Opladeren kræver ingen vedligeholdelse, men skal rengøres jævnligt.



**Advarsel!** Kontrollér inden udførelse af vedligeholdelsesopgaver, om retningsomskifteren er låst i midterpositionen. Tag stikket ud af stikkontakten inden rengøring af opladeren.

- ♦ Rengør med jævne mellemrum motorhuset med en fugtig klud. Der må ikke bruges skuremidler eller opløsningsmidler.

## Miljøbeskyttelse



Særskilt bortskaffelse. Produkter og batterier mærket med dette symbol må ikke bortskaffes sammen med normalt husholdningsaffald.

Produkter og batterier indeholder materialer, der kan genindvindes eller genanvendes, hvilket reducerer efterspørgslen efter råvarer.

Genbrug venligst elektriske produkter og batterier i henhold til lokale bestemmelser. Yderligere informationer findes på [www.2helpU.com](http://www.2helpU.com)

## Tekniske data

REVSD4C		
Spænding	V <sub>ac</sub>	3,6
Tomgangshastighed	W	180
Stilstandsmoment	Nm	5,5
Maks. moment	Nm	5,5
Bitholder	mm	6,35
Vægt	Kg	0,3

Batteri		
Batteritype		Li-ion
Ah-kapacitet		1,5

### Lydtrykniveau i henhold til EN 62841:

Lydtryk (L<sub>w</sub>) 58,0dB(A), usikkerhed (K) 3dB(A)

Lyd effekt (L<sub>wa</sub>) 69,0 dB(A), usikkerhed (K) 3 dB(A)

### Samlede værdier for vibration (triaksial vektorsum) i henhold til EN 62841:

Skrueopgaver uden slag (ah) 0.4 m/s<sup>2</sup>, usikkerhed (K) 1,5 m/s<sup>2</sup>

Black & Decker erklærer, at produkterne beskrevet under "Tekniske data" er i overensstemmelse med: 2006/42/EC, EN62841-1:2015, EN62841-2-2:2014 Kontakt Black & Decker på efterfølgende adresse, eller se vejledningens bagside mhp. yderligere oplysninger.

Disse produkter er endvidere i overensstemmelse med direktiv 2014/30/EU og 2011/65/EU. Undertegnede er ansvarlig for udarbejdelsen af den tekniske dokumentation og fremsætter denne erklæring på vegne af Black & Decker.

*Patrick Diepenbach*

Patrick Diepenbach  
General Manager, Benelux  
Black & Decker,  
Egide Walschaertsstraat 14-18  
2800 Mechelen, Belgium  
20/01/2022

## Garanti

Black & Decker er overbevist om den gode kvalitet af sine produkter og giver forbrugerne en garanti på 24 måneder fra købsdatoen. Garantien er et tillæg til forbrugerens lovmæssige rettigheder og påvirker ikke disse. Garantien er gyldig inden for medlemsstaterne af Den Europæiske Union, Det Europæiske Frihandelsområde og Det Forenede Kongerige.

Når du gør krav på garantien, skal kravet være i overensstemmelse med Black & Decker vilkår og betingelser, og du skal indsende dokumentation for købet til sælgeren eller til en autoriseret reparatør. Vilkår og betingelser for Black & Decker 2 års garanti og placeringen af dit nærmeste autoriserede serviceværksted kan fås på internettet på [www.2helpU.com](http://www.2helpU.com), eller ved at kontakte dit lokale Black & Decker kontor på den adresse, der er angivet i denne vejledning

Besøg venligst vores websted [www.blackanddecker.co.uk](http://www.blackanddecker.co.uk) for at registrere dit nye Black & Decker produkt og modtage opdateringer om nye produkter og specielle tilbud.

## EF-overensstemmelseserklæring Maskindirektiv



REVSD4C Skruetrækker



## Käyttötarkoitus

BLACK+DECKER™ REVSD4C -ruuvinväännin on suunniteltu ruuvaamiseen. Tämä työkalu on tarkoitettu vain yksityiskäyttöön.

## Turvallisuusohjeet

### Sähkötyökalujen yleiset turvavaroitukset



**Varoitus! Lue kaikki tämän sähkötyökalun mukana toimitetut varoitukset, käyttöohjeet ja tekniset tiedot.** Jos kaikkia ohjeita ei noudateta, on olemassa sähköiskun, tulipalon ja/tai vakavan henkilövahingon vaara.

Säästä kaikki varoitukset ja ohjeet tulevaa käyttöä varten. Varoituksissa käytetty käsite ”sähkötyökalu” tarkoittaa verkkokäyttöisiä sähkötyökaluja (joissa on verkkojohto) ja akkukäyttöisiä sähkötyökaluja (joissa ei ole verkkojohtoa).

#### 1. Työalueen turvallisuus

- Pidä työskentelyalue puhtaana ja hyvin valaistuna.** Onnettomuuksia sattuu herkemmin epäsiistissä tai huonosti valaistussa ympäristössä.
- Älä käytä sähkötyökalua räjähdysalttiissa ympäristössä, jossa on palavaa nestettä, kaasua tai pölyä.** Sähkötyökalujen aiheuttamat kipinät voivat sytyttää pölyn tai kaasut.
- Pidä lapset ja sivulliset loitolla sähkötyökalua käyttäessäsi.** Keskittymiskyvyn herpaantuminen voi aiheuttaa hallinnan menettämisen.

#### 2. Sähköturvallisuus

- Sähkötyökalun pistokkeen on sovitava pistorasiaan.** Älä koskaan tee pistokkeeseen mitään muutoksia. Älä yhdistä maadoitettua sähkötyökalua jatkojohtoon. Sähkötyökalun vaara vähenee, jos pistokkeisiin ei tehdä muutoksia ja ne yhdistetään vain niille tarkoitettuihin pistorasioihin.
- Vältä koskettamasta maadoitettuja pintoja, kuten putkia, pattereita, liesiä tai jääkaappeja.** Voit saada sähköiskun, jos kehosi on maadoitettu.
- Älä altista sähkötyökalua sateelle tai kosteudelle.** Sähkötyökaluun menevä vesi lisää sähköiskun vaaraa.
- Jos sähkötyökalua on välttämättä käytettävä kosteassa paikassa, käytä jännösvirtalaitteella (RCD) suojattua virtalähdettä.** Tämä vähentää sähköiskun vaaraa.

#### 3. Henkilöturvallisuus

- Pysy valppaana ja tarkkaavaisena ja käytä maalaisjärkeä käyttäessäsi sähkötyökalua.** Älä käytä sähkötyökalua väsyneenä tai huumeiden, alkoholin tai lääkkeiden vaikutuksen alaisena. Keskittymisen herpaantuminen hetkeksikin sähkötyökalua käytettäessä voi aiheuttaa vakavan henkilövahingon.

- Käytä henkilökohtaisia suojavarusteita. Käytä aina suoja-laseja.** Hengityssuojaimen, liukumattomien turvajalkineiden, kypärän ja kuulonsuojaimen käyttäminen vähentää henkilövahinkojen vaaraa.
- Vältä tahatonta käynnistämistä. Varmista, että kytkin on OFF-asennossa, ennen kuin liität laitteen virtalähteeseen ja/tai akkuun, nostat laitteen tai kannat sitä.** Sähkötyökalun kantaminen somi virtakytkimellä lisää onnettomuusvaaraa.
- Irrota mahdollinen säätö- tai kiintoavain, ennen kuin käynnistät sähkötyökalun.** Sähkötyökalun pyöriivään osaan kiinni jäänyt avain voi johtaa loukkaantumiseen.
- Älä kurruta liian kaus. Huolehdi siitä, että sinulla on koko ajan tukeva jalansija ja hyvä tasapaino.** Näin voit hallita sähkötyökalua paremmin odottamattomissa tilanteissa.
- Käytä tarkoitukseen soveltuvia vaatteita. Älä käytä löysiä vaatteita tai koruja. Pidä hiukset ja vaatteet loitolla liikkuvista osista.** Löysät vaatteet, korut tai pitkät hiukset voivat tarttua liikkuviin osiin.
- Jos laitteeseen voi kiinnittää pölynkerääjän tai -imurin, tarkista, että se on paikallaan ja että se toimii kunnolla.** Pölyn ottaminen talteen voi vähentää pölyn aiheuttamia vaaroja.
- Vaikka käyttäisit usein työkaluja ja sinulla olisi niistä hyvä tuntemus, älä jätä lukematta työkalun turvallisuusohjeita.** Huolimattomuus voi johtaa vakaviin henkilövahinkoihin jopa sekunnin murto-osassa.

#### 4. Sähkötyökalujen käyttö ja hoito

- Älä ylikuormita sähkötyökalua.** Käytä käyttötarkoitukseen sopivaa oikeaa sähkötyökalua. Sähkötyökalu toimii paremmin ja turvallisemmin, kun sitä käytetään sille suunniteltuun käyttötarkoitukseen.
- Älä käytä sähkötyökalua, jota ei voida käynnistää ja pysäyttää virtakytkimestä.** Jos sähkötyökalua ei voi hallita kytkimen avulla, se on vaarallinen ja se on korjattava.
- Katkaise sähkötyökalusta virta ja irrota sen pistoke pistorasiasta tai irrota akku siitä ennen säätämistä, varusteiden vaihtamista tai sähkötyökalun asettamista säilytykseen.** Näin voit vähentää vahingossa käynnistymisen aiheuttaman henkilövahingon vaaraa.
- Säilytä sähkötyökalut poissa lasten ulottuvilta, kun niitä ei käytetä.** Älä anna sähkötyökalua sellaisen henkilön käyttöön, joka ei tunne sitä tai joka ei ole tutustunut sähkötyökalun käyttöohjeeseen. Sähkötyökalut ovat vaarallisia kouluttamattomien käyttäjien käsissä.

- e. **Hoida sähkötyökaluasi ja lisävarusteita huolella.** Tarkista, että liikkuvat osat toimivat moitteettomasti ja etteivät ne ole puristuksessa. Tarkista myös, ettei työkalussa ei ole murtuneita tai vahingoittuneita osia, jotka saattaisivat vaikuttaa haitallisesti sen toimintaan. Jos havaitset vaurioita, korjautaa sähkötyökalu ennen niiden käyttämistä. Huonosti kunnossapidetyt sähkötyökalut aiheuttavat onnettomuuksia.
- f. **Pidä leikkausterät terävinä ja puhtaina.** Kunnossa pidettyjen leikkaavia teräviä reunoja sisältävien työkalut todennäköisyys jumiutua vähenee, ja niitä on helpompi hallita.
- g. **Käytä sähkötyökaluja, tarvikkeita, vaihtotyökaluja jne. näiden ohjeiden mukaisesti.** Ota tällöin huomioon työolosuhteet ja suoritettava toimenpide. Jos sähkötyökalua käytetään näiden ohjeiden vastaisesti, voi syntyä vaaratilanne.
- h. **Pidä kahvat ja kädensijat kuivina ja puhtaina öljystä ja rasvasta.** Liukkaat kahvat ja kädensijat estävät työkalun turvallisen käsittelyn ja hallinnan odottamattomissa tilanteissa.
- 5. Akkutyökalun käyttö ja huolto (koskee vain akkutyökaluja)**
- a. **Käytä sähkötyökalussa ainoastaan kyseiseen sähkötyökaluun tarkoitettua akkua.** Muun tyyppisen akun käyttö saattaa johtaa loukkaantumiseen ja tulipaloon.
- b. **Pidä irrallinen akku loitolla metalliesineistä, kuten paperiliittimistä, koloista, avaimista, nautoista, ruuveista tai muista pienistä metalliesineistä, jotka voivat aiheuttaa oikosulun akun navoissa.** Kennon pinteiden oikosulku voi aiheuttaa palovammoja tai tulipalon.
- c. **Väärin käytetystä akusta voi vuotaa nestettä. Älä kosketa sitä. Jos nesteen kanssa joutuu kosketuksiin, huuhtelee vedellä. Jos nestettä joutuu silmiin, hakeudu lisäksi lääkärin hoitoon.** Akusta roiskunut neste saattaa aiheuttaa ärsytystä tai palovammoja.
- d. **Akkua tai työkalua ei saa käyttää, jos siinä on vaurioita tai sitä on muunneltu.** Vaurioituneet tai muunnellut akut voivat johtaa odottamattomiin tilanteisiin ja vaarana ovat tulipalo, räjähdys ja henkilövahingot.
- e. **Suojaa akku ja työkalu tulta ja liian korkeilta lämpötiloilta.** Se voi räjähtää yli 130 °C lämpötilassa. HUOMAA: Lämpötila "130 °C" voidaan korvata lämpötilalla "265 °F".
- f. **Noudata kaikkia latausohjeita.** Akkua tai työkalua ei saa ladata ohjeissa määritetystä lämpötilavälisestä poikkeavassa lämpötilassa.

Jos akku ladataan virheellisesti tai määritetystä lämpötilavälisestä poikkeavassa lämpötilassa, seurauksena voi olla akun vaurioituminen ja tulipalovaara.

## 6. Huolto

- a. **Korjata sähkötyökalu koulutetulla ja ammattitaitoisella henkilöllä ja hyväksy korjauksiin vain alkuperäisiä varaosia.** Tämä varmistaa sähkötyökalun turvallisuuden.
- b. **Älä koskaan huolla vaurioituneita akkuja.** Ainoastaan valmistaja tai valtuutetut huoltoliikkeet saavat huoltaa akkuja (koskee vain akkutyökaluja).

## Sähkötyökalujen lisäturvavaroitukset

- ◆ **Pitele sähkötyökalua eristetyistä tartuntapinnoista, kun teet työtä, jossa kiinnitin voi joutua kosketuksiin piilossa olevien sähköjohtojen tai oman virtajohtonsa kanssa.** Kiinnittimien osuminen jännitteeseen johtoon tekee sen paljaista metalliosista jännitteisiä, joten käyttäjä voi saada sähköiskun.
- ◆ **Käytä puristimia tai muuta käytännöllistä tapaa kiinnittää ja tukea työkalua tukevalle alustalle.** Työn pitäminen käsin tai vartaloa vasten on epävakaata ja saattaa johtaa kontrollin menetykseen.
- ◆ **Ennen kuin kiinnität kiinnittimiä seiniin, lattioihin tai kattoihin, tarkista sähköjohtojen ja putkien sijainti.**
- ◆ **Tarkoitettu käyttö on kuvattu tässä käyttöohjeessa.**
- ◆ **Käytä työkalua ainoastaan sellaiseen työhön, johon se on tarkoitettu, ja käytä vain tässä käyttöohjeessa suositeltuja tarvikkeita ja lisälaitteita.** Ohjeesta poikkeava käyttö voi aiheuttaa henkilö- ja/tai omaisuusvahinkoja.

## Jäännösriskit

Seuraavat riskit liittyvät sahojen käyttöön:

- ◆ Työkalun pyörievien osien koskettamisesta aiheutuvat vammat.

Tiettyjä jäännösriskejä ei voi välttää, vaikka noudatetaan kaikkia turvamääräyksiä ja käytät turvalaitteita. Näitä ovat seuraavat:

- ◆ Kuulon heikkeneminen.
- ◆ Pyörievien sahanterien suojaamattomien osien aiheuttama onnettomuusriski.
- ◆ Terän vaihtamisen aikana aiheutuva vahingonvaara.
- ◆ Sormien puristumisen riski suojuksia vaihdettaessa.
- ◆ Terveysriskit, jotka aiheutuvat pölyn hengittämisestä sahattaessa puuta, erityisesti tammea, pyökkiiä ja MDF-levyä.

## Muiden henkilöiden turvallisuus

- Tätä työkalua ei ole tarkoitettu sellaisten henkilöiden käyttöön, joilla on fyysisiä tai älyllisiä rajoitteita tai aistirajoitteita, eikä laitteen toimintaan perehtymättömien henkilöiden käyttöön (lapset mukaan luettuina), paitsi valvonnan alaisina, tai jos he ovat saaneet työkalun käyttöön liittyvää opastusta heidän turvallisuudestaan vastaavalta henkilöltä.
- Lapsia tulee valvoa ja varmistaa, että he eivät leiki laitteella.

## Tärinä

Teknisissä tiedoissa ja vaatimustenmukaisuusvakuutuksessa ilmoitettu tärinäpäästöarvo on mitattu EN62841-standardin testausmenetelmän mukaisesti, ja arvoa voi käyttää työkalujen keskinäiseen vertailuun. Ilmoitettua tärinäpäästöarvoa voi käyttää myös altistumisen alustavaan arviointiin.



**Varoitus!** Sähkötyökalun käytön aikana mitattu todellinen tärinäpäästöarvo voi poiketa ilmoitetusta tärinäpäästöarvosta työkalun käyttötavan mukaan.

Tärinätasoa voi olla ilmoitettua tasoa suurempi.

Kun tärinälle altistumista arvioidaan sen määrittämiseksi, mitä direktiivin 2002/44/EY mukaisia turvatoimenpiteitä vaaditaan sähkötyökaluja säännöllisesti käyttävien henkilöiden suojelemiseksi, tärinälle altistumisen arvioinnissa on otettava huomioon todelliset käyttöolosuhteet ja työkalun käyttötavat. Todellisen käytön lisäksi on kiinnitettävä huomiota myös siihen, milloin työkalu on sammutettuna tai se käy tyhjäkäynnillä.

## Työkalun tarrat

Työkaluun on merkitty päivämääräkoodi sekä seuraavat varoitusmerkinnät:



**Varoitus!** Käyttäjän on luettava käyttöohje vahinkojen välttämiseksi.



Älä katso suoraan toiminnassa olevaan lampuun

## Akkuja ja laturia koskevat lisäturvaohjeet Akut

- Älä koskaan yritä avata mistään syystä.
- Älä anna akun kastua.
- Älä säilytä akkuja tiloissa, joissa lämpötila voi nousta yli 40 °C:een.
- Lataa akku paikassa, jonka lämpötila on vähintään 10 °C ja enintään 40 °C.
- Noudata akkuja hävittäessäsi kohdassa "Ympäristönsuojelu" annettuja ohjeita.

## Laturit

- Pakkaukseen kuuluu vain mikro-usb-latausjohto (ei laturia), jota tulee käyttää vain sertifioitujen luetteloitujen laitteiden kanssa.

## Yleiskuvasu

1. Virtakytkin
2. Eteen-/taaksepäin-liukusäädin
3. LED-työvalo
4. Terän pidike
5. Latausportti
- 5a. Latauksen merkkivalo (syttyy kytkettäessä sähköverkkoon)
6. USB-liitin

## Akun lataaminen (kuvat A, B)

- USB-liitin (6) latausporttiin (5).
- Kytke laturi sopivaan virtalähteeseen.
- Anna työkalun olla liitettynä laturiin 1-3 tuntia käytetystä virtalähteestä riippuen.
- Latauksen merkkivalo (5a) palaa latauksen aikana.
- Latauksen merkkivalo (5a) sammuu, kun lataus on valmis.

## Asennus

### Ruuvauskärjen kiinnittäminen ja poistaminen (kuva C)

Työkalussa käytetään ruuvikätkäriä, JOISSA on 6,35 millimetrin tuuman kuusikulmainen varsi.

- Kiinnitä kärki työntämällä sen varsi (8) terän pidikkeeseen (4).
- Irrota kärki vetämällä terän varsi (8) ulos terän pidikkeestä (4).

## Käyttö

### LED-työvalo (kuva D)

LED-työvalo (3) aktivoituu automaattisesti, kun virtakytkintä (1) painetaan. LED-valo syttyy myös silloin, kun liipaisinta painetaan ja eteen-/taaksepäin-liukusäädin (2) on lukitussa asennossa (keskiasennossa).

### Pyörimissuunnan valitseminen (kuva E)

Käytä ruuvien kiristämiseen eteenpäin suuntautuvaa pyörimisliikettä. Löysää ruuvit kiertämällä vastakkaiseen suuntaan.

- Valitse pyörimissuunta eteenpäin työntämällä eteen-/taaksepäin-liukusäädin (2) etuasentoon.
- Valitse pyörimissuunta taaksepäin työntämällä eteen-/taaksepäin-liukusäädin (2) taka-asentoon.
- Lukitse työkalu siirtämällä eteen-/taaksepäin-liukusäädin keskelle.

## Ruuvien kiinnittäminen

- Valitse pyörimissuunta eteen- tai taaksepäin eteen-/taaksepäin-liikusäätimellä (2).
- Käynnistä laite painamalla virtakytkintä (1).
- Sammuta laite vapauttamalla virtakytkin (1).

## Vinkkejä parhaimman tuloksen saavuttamiseksi

### Ruuvien kiinnittäminen

- Käytä aina oikeantyyppistä ja -kokoista ruuvauskärkeä. Jos ruuvien kiristäminen on hankalaa, kokeile käyttää liukasteena pientä määrää pesunestettä tai saippuaa.
- Pidä työkalu ja ruuvauskärki aina suorassa linjassa ruuviin nähden.

### Huolto

BLACK+DECKER-työkalu on suunniteltu toimimaan mahdollisimman pitkän aikaa mahdollisimman vähällä huollolla. Oikea käsittely ja säännöllinen puhdistus varmistavat laitteen ongelmattoman toiminnan.

Laturi ei tarvitse säännöllisen puhdistamisen lisäksi mitään muuta huoltoa.



**Varoitus!** Ennen kuin teet työkalulle mitään huoltoa, varmista, että eteen/taaksepäin-liikusäädin on lukittu keskiasentoon. Irrota laturi verkkovirrasta ennen sen puhdistamista.

- Puhdista moottorikotelo säännöllisesti kostealla liinalla. Älä käytä hankaavia tai liuotinpohjaisia puhdistusaineita.

## Ympäristönsuojelu



Toimita tämä laite erilliskeräykseen. Tällä symbolilla merkityt ja akkuja ei saa hävittää tavallisen kotitalousjätteen mukana.

Tuotteissa ja akkuissa on materiaaleja, jotka voidaan ottaa talteen tai kierrättää uudelleen käyttöä varten.

Kierrätä sähkölaitteet ja akut paikallisten määräysten mukaan. Lisätietoa on saatavilla osoitteessa [www.2helpU.com](http://www.2helpU.com)

## Tekniset tiedot

REVSD4C		
Jännite	V <sub>DC</sub>	3,6
Kuormittamaton nopeus	V	180
Voimakkaan pysähdyksen sakkovääntömomentti	Nm	5,5
Maks. vääntömomentti	Nm	5,5
Terän pidike	mm	6,35
Paino	Kg	0,3

Akku		
Akkutyyppi		Li-ion

Akku		
Ampeerituntikapasiteetti		1,5

Äänenpainetaso standardin EN 62841 mukaisesti:		
Äänenpaine (L <sub>pa</sub> )	58,0 dB(A), epävarmuus (K)	3 dB(A)
Äänitehotaso (L <sub>wa</sub> )	69,0 dB(A), epävarmuus (K)	3 dB(A)

Tärinän kokonaisarvot (vektorisumma) standardin EN 62841 mukaisesti:		
Ruuvauksen ilman iskua (ah)	0,4 m/s <sup>2</sup> , epävarmuus (K)	1,5 m/s <sup>2</sup>

## EY-vaatimustenmukaisuusvakuutus Konedirektiivi



REVSD4C Ruuviväännin

Black & Decker ilmoittaa, että Tekniset tiedot -kohdassa kuvatut tuotteet täyttävät seuraavien direktiivien vaatimukset: 2006/42/EY, EN62841-1:2015, EN62841-2-2:2014

Lisätietoja saa ottamalla yhteyden Black & Decker seuraavassa osoitteessa. Tiedot ovat myös käyttöohjeen takakannessa.

Nämä tuotteet täyttävät myös direktiivien 2014/30/EU ja 2011/65/EU vaatimukset. Allekirjoittanut vastaa teknisten tietojen kokoamisesta tehden tämän ilmoituksen Black & Deckerin puolesta.

*Patrick Diepenbach*

Patrick Diepenbach  
Toimitusjohtaja, Benelux  
Black and Decker,  
Egide Walschaertsstraat 14-18  
2800 Mechelen, Belgia  
20.1.2022

## Takuu

Black & Decker on vakuuttanut tuotteidensa korkeasta laadusta ja tarjoaa kuluttajille 24 kuukauden takuun, joka astuu voimaan ostopäivänä. Takuu on lisäys kuluttajan laillisiin oikeuksiin eikä vaikuta niihin. Tämä takuu on voimassa kaikissa EU- ja ETA-maissa sekä Iossa-Britanniassa. Edellytyksenä takuun saamiselle on, että vaade täyttää Black & Deckerin ehdot ja että ostaja toimittaa ostotositteen jälleenmyyjälle tai valtuutetulle huoltoliikkeelle. Black & Deckerin kahden vuoden takuun ehdot ja lähimmän valtuutetun korjauspalvelun yhteydetiedot ovat saatavilla osoitteessa [www.2helpU.com](http://www.2helpU.com) tai ottamalla yhteyttä paikalliseen Black & Deckerin toimipisteeseen tässä ohjekirjassa.

Käy verkkosivuillemme osoitteessa [www.blackanddecker.fi](http://www.blackanddecker.fi) ja rekisteröi uusi Black & Decker -tuotteesi saadaksesi tietoa uusista tuotteista ja erikoistarjouksista.

## Προβλεπόμενη χρήση

Το κατσαβίδι σας BLACK+ DECKER™ REVSD4C έχει σχεδιαστεί για εφαρμογές βιδώματος. Αυτό το εργαλείο προορίζεται μόνο για ερασιτεχνική χρήση.

## Οδηγίες ασφαλείας

### Γενικές προειδοποιήσεις ασφαλείας για ηλεκτρικά εργαλεία



**Προειδοποίηση! Διαβάστε όλες τις προειδοποιήσεις ασφαλείας, τις οδηγίες, τις απεικονίσεις και τις προδιαγραφές που συνοδεύουν αυτό το ηλεκτρικό εργαλείο.**  
Η μη τήρηση οποιασδήποτε από τις οδηγίες που αναφέρονται πιο κάτω μπορεί να έχει ως αποτέλεσμα ηλεκτροπληξία, πυρκαγιά και/ή σοβαρό τραυματισμό.

Φυλάξτε όλες τις προειδοποιήσεις και τις οδηγίες για μελλοντική αναφορά. Ο όρος "ηλεκτρικό εργαλείο" στις προειδοποιήσεις, αναφέρεται σε εργαλείο που τροφοδοτείται με ρεύμα από το ηλεκτρικό δίκτυο (ρεύματος-με καλώδιο) ή σε εργαλείο που λειτουργεί με μπαταρία (μπαταρίας-χωρίς καλώδιο).

#### 1. Ασφάλεια χώρου εργασίας

- Διατηρείτε την περιοχή εργασίας καθαρή και καλά φωτισμένη.** Οι ατακτοποιητοί ή σκοτεινοί χώροι γίνονται αιτίες ατυχημάτων.
- Μη χρησιμοποιείτε ηλεκτρικά εργαλεία σε περιβάλλον όπου υπάρχει κίνδυνος έκρηξης, π.χ. με παρουσία εύφλεκτων υγρών, αερίων ή σκόνης.** Τα ηλεκτρικά εργαλεία παράγουν σπινθήρες που μπορεί να προκαλέσουν ανάφλεξη της σκόνης ή των αναθυμιάσεων.
- Όταν χρησιμοποιείτε ηλεκτρικό εργαλείο κρατάτε μακριά παιδιά και τυχόν άλλα παρευρισκόμενα άτομα.** Παράγοντες που αποσπούν την προσοχή μπορεί να σας κάνουν να χάσετε τον έλεγχο.

#### 2. Ασφαλής χρήση ηλεκτρικού ρεύματος

- Το φως του καλωδίου του ηλεκτρικού εργαλείου πρέπει να ταιριάζει στην αντίστοιχη πρίζα. Σε καμία περίπτωση μην τροποποιήσετε το φως, με κανένα τρόπο. Μη χρησιμοποιείτε φως προσαρμογής με γειωμένα ηλεκτρικά εργαλεία.** Τα φως που δεν έχουν υποστεί τροποποιήσεις και οι κατάλληλες πρίζες μειώνουν τον κίνδυνο ηλεκτροπληξίας.
- Αποφεύγετε την επαφή του σώματος με γειωμένες επιφάνειες όπως σωλήνες, σώματα καλοριφέρ, κουζίνες και ψυγεία.** Υπάρχει αυξημένος κίνδυνος ηλεκτροπληξίας αν το σώμα σας είναι γειωμένο.
- Μην εκθέτετε τα ηλεκτρικά εργαλεία σε βροχή ή υγρασία.** Η διείσδυση νερού σε ένα ηλεκτρικό εργαλείο αυξάνει τον κίνδυνο ηλεκτροπληξίας.

d. Εάν είναι αναπόφευκτη η χρήση ηλεκτρικού εργαλείου σε υγρή τοποθεσία, χρησιμοποιήστε μια **Διάταξη προστασίας ρεύματος διαρροής (RCD)**. Η χρήση μιας διάταξης RCD μειώνει τον κίνδυνο ηλεκτροπληξίας.

### 3. Προσωπική ασφάλεια

- Όταν χρησιμοποιείτε ηλεκτρικό εργαλείο, παραμένετε σε εγρήγορση, συγκεντρωμένοι στην εργασία που κάνετε και επιστρατεύετε την κοινή λογική. Μη χρησιμοποιείτε ηλεκτρικό εργαλείο όταν είστε κουρασμένος/ή ή υπό την επήρεια ναρκωτικών ουσιών, οινοπνεύματος ή φαρμακευτικής αγωγής.** Μια στιγμή απροσεξίας κατά τη χρήση ηλεκτρικών εργαλείων μπορεί να προκαλέσει σοβαρό τραυματισμό.
- Χρησιμοποιείτε εξοπλισμό ατομικής προστασίας. Πάντα φοράτε προστασία ματιών.** Ο εξοπλισμός προστασίας, όπως μάσκα κατά της σκόνης, αντιλιοσθητικά παπούτσια ασφαλείας, κράνος ή προστασία ακοής, όταν χρησιμοποιείται για τις κατάλληλες συνθήκες, θα μειώσει τους τραυματισμούς και τις σωματικές βλάβες.
- Εμπιστείτε την ακούσια ενεργοποίηση του εργαλείου.** Βεβαιωθείτε ότι ο διακόπτης βρίσκεται στη θέση απενεργοποίησης, πριν συνδέσετε το εργαλείο στην πηγή ρεύματος και/ή τοποθετήσετε το πακέτο μπαταριών, καθώς και πριν πάρετε στα χέρια σας ή μεταφέρετε το εργαλείο. Η μεταφορά ηλεκτρικών εργαλείων με το δάχτυλο πάνω στον διακόπτη ή η σύνδεση στο ρεύμα ηλεκτρικών εργαλείων με τον διακόπτη στη θέση ενεργοποίησης, ενέχει κινδύνους ατυχημάτων.
- Πριν θέσετε το ηλεκτρικό εργαλείο σε λειτουργία, αφαιρέστε τυχόν εργαλεία ή κλειδιά ρύθμισης.** Εάν αφήσετε ένα εργαλείο ή κλειδί πάνω σε κάποιο περιστρεφόμενο εξάρτημα του ηλεκτρικού εργαλείου, μπορεί να προκληθούν τραυματισμοί.
- Μην τεντώνετε υπερβολικά. Διατηρείτε πάντα σταθερή στήριξη στα πόδια σας και καλή ισορροπία.** Έτσι μπορείτε να έχετε καλύτερο έλεγχο του ηλεκτρικού εργαλείου σε μη αναμενόμενες καταστάσεις.
- Φοράτε κατάλληλο ρουχισμό. Μη φοράτε φαρδιά ρούχα ή κοσμήματα. Κρατάτε τα μαλλιά και τα ρούχα σας μακριά από κινούμενα μέρη.** Τα φαρδιά ρούχα, τα κοσμήματα και τα μακριά μαλλιά μπορούν να πιαστούν σε κινούμενα μέρη.
- Αν παρέχονται διατάξεις για τη σύνδεση εξοπλισμού απομάκρυνσης και συλλογής της σκόνης, να βεβαιώνετε ότι αυτές έχουν συνδεθεί και χρησιμοποιούνται σωστά.**

Η χρήση διατάξεων συλλογής της σκόνης μπορεί να μειώσει τους κινδύνους που προέρχονται από τη σκόνη.

- h. Μην αφήνετε την εξοικείωση που έχετε αποκτήσει από τη συχνή χρήση εργαλείων να σας επιτρέψει να εφησυχάσετε ώστε να αγνοείτε τις αρχές ασφαλούς χρήσης των εργαλείων.** Μια απρόσεκτη ενέργεια μπορεί να προκαλέσει βαρύ τραυματισμό μέσα σε κλάσματα του δευτερολέπτου.

#### 4. Χρήση και φροντίδα ηλεκτρικών εργαλείων

- a. Μην υπερφορτώνετε το ηλεκτρικό εργαλείο.**

Χρησιμοποιείτε το σωστό ηλεκτρικό εργαλείο για την εφαρμογή σας. Το σωστό ηλεκτρικό εργαλείο θα εκτελέσει την εργασία καλύτερα και ασφαλέστερα, με την ένταση χρήσης για την οποία σχεδιάστηκε.

- b. Μη χρησιμοποιείτε το ηλεκτρικό εργαλείο αν ο διακόπτης του δεν το ενεργοποιεί και απενεργοποιεί.** Οποιοδήποτε ηλεκτρικό εργαλείο του οποίου η λειτουργία δεν μπορεί να ελεγχθεί με τον διακόπτη είναι επικίνδυνο και πρέπει να επισκευαστεί.

- c. Αποσυνδέστε το φως από την πηγή ρεύματος και/ή αφαιρέστε το πακέτο μπαταριών, αν είναι αποσπώμενο, από το ηλεκτρικό εργαλείο πριν πραγματοποιήσετε οποιοδήποτε ρυθμίσεις, αλλάξετε αξεσουάρ ή αποθηκεύσετε ηλεκτρικά εργαλεία.** Τέτοια προληπτικά μέτρα ασφαλείας μειώνουν το κίνδυνο αθέλητης εκκίνησης του ηλεκτρικού εργαλείου.

- d. Φυλάσσετε μακριά από παιδιά τα ηλεκτρικά εργαλεία που δεν χρησιμοποιείτε και μην αφήνετε να χρησιμοποιήσουν ηλεκτρικό εργαλείο άτομα που δεν είναι εξοικειωμένα με αυτό ή άτομα που δεν έχουν διαβάσει αυτές τις οδηγίες χρήσης.** Τα ηλεκτρικά εργαλεία είναι επικίνδυνα στα χέρια μη εκπαιδευμένων χρηστών.

- e. Συντηρείτε τα ηλεκτρικά εργαλεία και τα αξεσουάρ.** Ελέγχετε για προβλήματα ευθυγράμμισης ή για μάγκωμα των κινούμενων εξαρτημάτων, θραύση εξαρτημάτων, καθώς και για οποιοδήποτε άλλο πρόβλημα μπορεί να επηρεάσει τη λειτουργία των ηλεκτρικών εργαλείων. Αν το ηλεκτρικό εργαλείο έχει υποστεί ζημιά, παραδώστε το για επισκευή πριν το χρησιμοποιήσετε. Η ανεπαρκής συντήρηση των ηλεκτρικών εργαλείων αποτελεί αιτία πολλών ατυχημάτων.

- f. Διατηρείτε τα κοπτικά εργαλεία κοφτερά και καθαρά.** Τα κοπτικά εργαλεία με κοφτερές κοπτικές αιχμές που συντηρούνται σωστά έχουν λιγότερες πιθανότητες να μαγκώσουν και ελέγχονται ευκολότερα.

- g. Χρησιμοποιείτε τα ηλεκτρικά εργαλεία, τα αξεσουάρ, τις μύτες εργαλείων κλπ. σύμφωνα με τις παρούσες οδηγίες, λαμβάνοντας υπόψη σας τις συνθήκες εργασίας και την εργασία που θέλετε να εκτελέσετε.** Η χρήση του ηλεκτρικού εργαλείου για εργασίες διαφορετικές από τις προβλεπόμενες θα μπορούσε να οδηγήσει σε επικίνδυνη κατάσταση.

- h. Διατηρείτε τις λαβές και τις επιφάνειες κρατήματος στεγνές, καθαρές και απαλλαγμένες από λάδι και γράσο.** Οι ολισθηρές λαβές και επιφάνειες κρατήματος δεν επιτρέπουν τον ασφαλή χειρισμό και έλεγχο του εργαλείου σε μη αναμενόμενες καταστάσεις.

#### 5. Χρήση και φροντίδα εργαλείων μπαταρίας (χρησιμοποιείται μόνο για εργαλεία μπαταρίας)

- a. Χρησιμοποιείτε τα ηλεκτρικά εργαλεία αποκλειστικά και μόνο με τα καθοριζόμενα πακέτα μπαταριών.** Η χρήση άλλων πακέτων μπαταριών μπορεί να προκαλέσει κίνδυνο τραυματισμού και πυρκαγιάς.

- b. Όταν το πακέτο μπαταριών δεν χρησιμοποιείται, μην το πλησιάζετε σε μεταλλικά αντικείμενα, όπως συνδετήρες, κέρματα, κλειδιά, καρφιά, βίδες ή άλλα μικρά μεταλλικά αντικείμενα που μπορούν να βραχυκυκλώσουν τους δύο ακροδέκτες του.** Αν βραχυκυκλωθούν οι ακροδέκτες της μπαταρίας, μπορεί να προκληθούν εγκαύματα ή πυρκαγιά.

- c. Αν οι μπαταρίες υποστούν κακομεταχείριση, μπορεί να διαρρεύσει υγρό. Αποφύγετε την επαφή. Αν κατά λάθος έρθετε σε επαφή, ξεπλύνετε με νερό. Σε περίπτωση που το υγρό έλθει σε επαφή με τα μάτια σας, ζητήστε επιπλέον και ιατρική βοήθεια.** Το υγρό που εξέρχεται από την μπαταρία μπορεί να προκαλέσει ερεθισμούς ή εγκαύματα.

- d. Μη χρησιμοποιήσετε πακέτο μπαταριών ή εργαλείο που έχει υποστεί ζημιά ή τροποποίηση.** Οι μπαταρίες που έχουν υποστεί ζημιά ή τροποποίηση μπορεί να έχουν απρόβλεπτη συμπεριφορά, με αποτέλεσμα φωτιά, έκρηξη ή κίνδυνο τραυματισμού.

- e. Μην εκθέσετε ένα πακέτο μπαταριών ή εργαλείο σε φωτιά ή υπερβολική θερμοκρασία.** Η έκθεση σε φωτιά ή σε θερμοκρασία πάνω από 130 °C μπορεί να προκαλέσει έκρηξη. ΣΗΜΕΙΩΣΗ: Η θερμοκρασία «130 °C» μπορεί να αντικατασταθεί από τη θερμοκρασία «265 °F».

- f. Τηρείτε όλες τις οδηγίες φόρτισης και μη φορτίζετε το πακέτο μπαταριών ή το εργαλείο εκτός των ορίων θερμοκρασίας που ορίζονται στις προδιαγραφές.**



Η ακατάλληλη φόρτιση ή η φόρτιση σε θερμοκρασίες εκτός των προβλεπόμενων ορίων μπορεί να προξενήσει ζημιά στην μπαταρία και να αυξήσει τον κίνδυνο φωτιάς.

## 6. Σέρβις

- a. Το σέρβις του ηλεκτρικού σας εργαλείου πρέπει να αναλαμβάνει έμπειρος τεχνικός που θα χρησιμοποιεί μόνο γνήσια ανταλλακτικά. Έτσι θα εξασφαλίσετε τη διατήρηση της ασφάλειας του ηλεκτρικού εργαλείου.
- b. Ποτέ μην κάνετε σέρβις σε πακέτα μπαταριών που έχουν υποστεί ζημιά. Το σέρβις των πακέτων μπαταριών πρέπει να γίνεται μόνο από τον κατασκευαστή ή από εξουσιοδοτημένους παρόχους σέρβις (χρησιμοποιείται μόνο για εργαλεία μπαταρίας).

## Πρόσθετες προειδοποιήσεις ασφαλείας για ηλεκτρικά εργαλεία

- ◆ Κρατάτε το ηλεκτρικό εργαλείο από μονωμένες επιφάνειες όταν εκτελείτε κάποια εργασία κατά την οποία το εξάρτημα μπορεί να έρθει σε επαφή με αθάνα καλώδια ή με το δικό του καλώδιο. Αν το στοιχείο στερέωσης έρθει σε επαφή με καλώδιο υπό τάση, μπορεί να τεθούν υπό ηλεκτρική τάση και τα εκτεθειμένα μεταλλικά μέρη του ηλεκτρικού εργαλείου και να προκληθεί ηλεκτροπληξία στον χειριστή.
- ◆ Χρησιμοποιείτε σφικκτήρες ή άλλο πρακτικό τρόπο για να στερεώνετε και να στηρίζετε το αντικείμενο εργασίας σε σταθερό υπόβαθρο. Αν κρατάτε το αντικείμενο εργασίας με το χέρι σας ή κόντρα στο σώμα σας, δεν υπάρχει σταθερότητα και μπορεί να προκληθεί απώλεια του ελέγχου.
- ◆ Πριν βιδώσετε στοιχεία στερέωσης σε τοίχους, δάπεδα ή ταβάνια, ελέγχετε για τυχόν διερχόμενα καλώδια και σωλήνες.
- ◆ Η προβλεπόμενη χρήση περιγράφεται στο παρόν εγχειρίδιο οδηγιών.
- ◆ Η χρήση οποιουδήποτε αξεσουάρ ή προσαρτήματος ή η εκτέλεση με αυτό το εργαλείο οποιασδήποτε εργασίας διαφορετικής από αυτές που συνιστώνται στο παρόν εγχειρίδιο οδηγιών ενδέχεται να εγκυμονεί κίνδυνο σωματικής βλάβης και/ή υλικών ζημιών.

## Υπολειπόμενοι κίνδυνοι

Οι κίνδυνοι που ακολουθούν είναι εγγενείς στη χρήση πριονιών:

- ◆ Τραυματισμοί λόγω επαφής με περιστρεφόμενα μέρη.
- Ακόμα και με την τήρηση των σχετικών κανονισμών ασφαλείας και τη χρήση μέσων προστασίας, ορισμένοι κίνδυνοι δεν είναι δυνατόν να εξαλειφθούν. Αυτοί είναι:
- ◆ Βλάβη της ακοής.

- ◆ Κίνδυνος ατυχημάτων από τα μη καλυπτόμενα μέρη της περιστρεφόμενης λεπίδας πριονιού.
- ◆ Κίνδυνος τραυματισμού κατά την αλλαγή της λεπίδας.
- ◆ Κίνδυνος σύνθλιψης των δακτύλων κατά το άνοιγμα των προφυλακτήρων.
- ◆ Κίνδυνοι για την υγεία προκαλούμενοι από την εισπνοή σκόνης που παράγεται κατά την κοπή ξύλου, ειδικά βελανιδιάς, οξιάς και MDF.

## Ασφάλεια τρίτων

- ◆ Αυτό το εργαλείο δεν προορίζεται για χρήση από άτομα (στα οποία περιλαμβάνονται και τα παιδιά) με μειωμένες φυσικές, αντιληπτικές ή διανοητικές ικανότητες ή άτομα χωρίς εμπειρία και γνώσεις, παρά μόνο εφόσον επιτηρούνται ή τους έχουν δοθεί οδηγίες σχετικά με τη χρήση του εργαλείου από άτομο υπεύθυνο για την ασφάλειά τους.
- ◆ Τα παιδιά πρέπει να επιτηρούνται, ώστε να διασφαλίζεται ότι δεν παίζουν με τη συσκευή.

## Κραδασμοί

Οι δηλωμένες τιμές εκπομπής κραδασμών που αναφέρονται στα τεχνικά χαρακτηριστικά και στη δήλωση συμμόρφωσης έχουν μετρηθεί σύμφωνα με τυποποιημένη μέθοδο δοκιμής που προβλέπεται από το πρότυπο EN62841 και μπορούν να χρησιμοποιηθούν για τη σύγκριση ενός εργαλείου με ένα άλλο. Η δηλωμένη τιμή εκπομπής κραδασμών μπορεί επίσης να χρησιμοποιηθεί σε έναν προκαταρκτικό προσδιορισμό της έκθεσης σε κραδασμούς.



**Προειδοποίηση!** Στην πράξη, η τιμή εκπομπής κραδασμών κατά την χρήση του ηλεκτρικού εργαλείου μπορεί να διαφέρει από την τιμή που δηλώθηκε, ανάλογα με τον τρόπο που χρησιμοποιείται το εργαλείο. Το επίπεδο κραδασμών μπορεί να αυξηθεί πάνω από το επίπεδο που έχει δηλωθεί.

Κατά τον προσδιορισμό της έκθεσης σε κραδασμούς για τον καθορισμό των απαιτούμενων μέτρων ασφαλείας σύμφωνα με την οδηγία 2002/44/EK για την προστασία προσώπων που χρησιμοποιούν συχνά ηλεκτρικά εργαλεία στην εργασία τους, μια προσεγγιστική εκτίμηση της έκθεσης σε κραδασμούς πρέπει να λαμβάνει υπόψη τις πραγματικές συνθήκες χρήσης και τον τρόπο χρήσης του εργαλείου, συμπεριλαμβανομένων και όλων των επιμέρους τμημάτων του κύκλου εργασίας, όπως τα χρονικά διαστήματα που το εργαλείο ήταν εκτός λειτουργίας και τα διαστήματα λειτουργίας χωρίς φορτίο, επιπλέον του χρόνου πίεσης της σκανδάλης.

## Ετικέτες πάνω στο εργαλείο

Το εργαλείο φέρει τα παρακάτω προειδοποιητικά σύμβολα μαζί με τον κωδικό ημερομηνίας:





**Προειδοποίηση!** Για να μειωθεί ο κίνδυνος τραυματισμού, ο χρήστης πρέπει να διαβάσει το χειρίδιο οδηγιών.



Μην κοιτάζετε απ' ευθείας τη λάμπα λειτουργίας

## Πρόσθετες οδηγίες ασφαλείας για μπαταρίες και φορτιστές

### Μπαταρίες

- ♦ Ποτέ μην επιχειρήσετε να ανοίξετε το προϊόν για κανένα λόγο.
- ♦ Μην εκθέτετε την μπαταρία σε νερό.
- ♦ Μην αποθηκεύετε μπαταρίες σε θέσεις όπου η θερμοκρασία ενδέχεται να υπερβεί τους 40 °C.
- ♦ Φορτίζετε μόνο σε θερμοκρασίες περιβάλλοντος μεταξύ 10 °C και 40 °C.
- ♦ Όταν απορρίπτετε τις μπαταρίες, ακολουθήστε τις οδηγίες που δίνονται στην ενότητα "Προστασία του περιβάλλοντος".

### Φορτιστές

- ♦ Παρέχεται μόνο καλώδιο φόρτισης micro USB (χωρίς φορτιστή), χρησιμοποιείτε το μόνο με πιστοποιημένο εγκεκριμένο εξοπλισμό.

## Χαρακτηριστικά

1. Διακόπτης ενεργοποίησης/ απενεργοποίησης (On/Off)
2. Συρόμενος επιλογέας περιστροφής εμπρός/όπισθεν
3. Φως εργασίας LED
4. Υποδοχή εξαρτήματος εργασίας
5. Θύρα φόρτισης
- 5a. Ενδεικτική λυχνία φόρτισης (δεν είναι ορατή μέχρι τη σύνδεση στο ρεύμα)
6. Σύνδεσμος USB

## Φόρτιση της μπαταρίας (εικ. Α, Β)

- ♦ Εισαγάγετε τον σύνδεσμο USB (6) στη θύρα φόρτισης (5).
- ♦ Συνδέστε το καλώδιο φορτιστή σε κατάλληλη παροχή ρεύματος.
- ♦ Αφήστε το εργαλείο συνδεδεμένο με τον φορτιστή για 1-3 ώρες, ανάλογα με την παρεχόμενη παροχή ρεύματος.
- ♦ Η ενδεικτική λυχνία φόρτισης (5a) θα είναι αναμμένη κατά τη φόρτιση.
- ♦ Η ενδεικτική λυχνία φόρτισης (5a) θα σβήσει μόλις ολοκληρωθεί η φόρτιση.

## Συναρμολόγηση

### Τοποθέτηση και αφαίρεση μιας μύτης καταβιδιού (εικ. C)

Αυτό το εργαλείο χρησιμοποιεί μύτες καταβιδιού ΜΕ εξαγωνικό κορμό 6,35 mm.

- ♦ Για να τοποθετήσετε μια μύτη, εισαγάγετε τον κορμό της μύτης (8) στην υποδοχή εξαρτήματος εργασίας (4).
- ♦ Για να αφαιρέσετε μια μύτη, τραβήξτε τον κορμό (8) της μύτης έξω από την υποδοχή εξαρτήματος εργασίας (4).

### Λειτουργία

#### Φως εργασίας LED (εικ. D)

Το φως εργασίας LED (3) ενεργοποιείται αυτόματα όταν πιέζεται η σκανδάλη on/off (1). Η λυχνία LED θα είναι επίσης αναμμένη όταν πιεστεί η σκανδάλη και ο συρόμενος επιλογέας περιστροφής εμπρός/όπισθεν (2) βρίσκεται στη θέση ασφάλισης σε απενεργοποιημένη κατάσταση (κεντρική θέση).

#### Επιλογή της κατεύθυνσης περιστροφής (εικ. E)

Για το βίδωμα χρησιμοποιείτε περιστροφή προς τα εμπρός. Για λασκάρισμα βιδών, χρησιμοποιείτε περιστροφή προς τα πίσω

- ♦ Για επιλογή περιστροφής προς τα εμπρός, πιέστε τον συρόμενο επιλογέα περιστροφής εμπρός/όπισθεν (2) στη θέση εμπρός.
- ♦ Για επιλογή περιστροφής όπισθεν, πιέστε τον συρόμενο επιλογέα περιστροφής εμπρός/όπισθεν (2) στη θέση όπισθεν.
- ♦ Για να ασφαλίστε το εργαλείο, θέστε τον συρόμενο επιλογέα περιστροφής εμπρός/όπισθεν στη μεσαία θέση.

### Βίδωμα

- ♦ Επιλέξτε περιστροφή εμπρός ή όπισθεν χρησιμοποιώντας τον συρόμενο επιλογέα περιστροφής εμπρός/όπισθεν (2).
- ♦ Για να ενεργοποιήσετε το εργαλείο, πατήστε το διακόπτη on/off (1).
- ♦ Για να απενεργοποιήσετε το εργαλείο, ελευθερώστε το διακόπτη on/off (1).

## Συμβουλές για βέλτιστη χρήση

### Βίδωμα

- ♦ Χρησιμοποιείτε πάντα μύτες καταβιδιού του κατάλληλου τύπου και μεγέθους. Εάν συναντήσετε δυσκολία κατά το σφίξιμο βιδών, δοκιμάστε να τις περάσετε με μια μικρή ποσότητα υγρού σαπουνιού ή στερεού σαπουνιού ως λιπαντικό.
- ♦ Πάντοτε να κρατάτε το εργαλείο και τη μύτη του καταβιδιού σε ευθεία γραμμή με τη βίδα.

## Συντήρηση

Το εργαλείο BLACK+DECKER που έχετε στην κατοχή σας έχει σχεδιαστεί έτσι ώστε να λειτουργεί για μεγάλο χρονικό διάστημα με την ελάχιστη δυνατή συντήρηση. Η συνεχής ικανοποιητική λειτουργία του εργαλείου εξαρτάται από τη σωστή φροντίδα και τον τακτικό καθαρισμό του.

Ο φορτιστής σας δεν χρειάζεται καμία άλλη συντήρηση πέραν του τακτικού καθαρισμού.



**Προειδοποίηση!** Πριν πραγματοποιήσετε οποιαδήποτε εργασία συντήρησης στο εργαλείο, βεβαιωθείτε ότι ο συρόμενος επιλογέας περιστροφής εμπρός/όπισθεν είναι στην ασφαλισμένη μεσαία θέση. Αποσυνδέετε τον φορτιστή από την πρίζα πριν τον καθαρίσετε.

- Καθαρίζετε τακτικά το περίβλημα του μοτέρ με ένα ελαφρά υγρό πανί. Μη χρησιμοποιείτε καθαριστικά που χαράζουν ή περιέχουν διαλύτες.

## Προστασία του περιβάλλοντος



Χωριστή συλλογή. Τα προϊόντα και οι μπαταρίες που επισημαίνονται με αυτό το σύμβολο δεν πρέπει να απορρίπτονται μαζί με τα κανονικά οικιακά απορρίμματα.

Τα προϊόντα και οι μπαταρίες περιέχουν υλικά που μπορούν να ανακτηθούν ή να ανακυκλωθούν, ώστε να μειωθούν οι ανάγκες για πρώτες ύλες.

Παρακαλούμε να ανακυκλώνετε τα ηλεκτρικά προϊόντα και τις μπαταρίες σύμφωνα με τους τοπικούς κανονισμούς.

Περισσότερες πληροφορίες διατίθενται στον ιστότοπο [www.2helpU.com](http://www.2helpU.com)

## Τεχνικά χαρακτηριστικά

REVSD4C		
Τάση	$V_{ac}$	3,6
Ταχύτητα χωρίς φορτίο	Π	180
Ροπή απότομης εμπλοκής	Nm	5,5
Μέγ. ροπή	Nm	5,5
Υποδοχή εξαρτήματος εργασίας	mm	6,35
Βάρος	Kg	0,3

Μπαταρία		
Τύπος μπαταριών		Ιόντων λιθίου
Ονομαστική τιμή Ah		1,5

Στάθμη ηχητικής πίεσης κατά EN 62841:		
Ηχητική πίεση ( $L_{pA}$ )	58,0 dB(A),	αβεβαιότητα (K) 3 dB(A)
Ηχητική ισχύς ( $L_{WA}$ )	69,0 dB(A),	αβεβαιότητα (K) 3 dB(A)

Συνολικές τιμές κραδασμών (διανυσματικό άθροισμα τριών αξόνων) κατά EN 62841:		
Βίδωμα χωρίς κρούση (ah)	0,4 m/s <sup>2</sup> ,	αβεβαιότητα (K) 1,5 m/s <sup>2</sup>

## Δήλωση συμμόρφωσης EC Οδηγία σχετικά με τα μηχανήματα



REVSD4C - Κατσαβίδι

Η Black & Decker δηλώνει ότι τα προϊόντα αυτά που περιγράφονται στα «τεχνικά χαρακτηριστικά» συμμορφώνονται με τα ακόλουθα:

2006/42/ΕΚ, EN62841-1:2015, EN62841-2:2014

Για περισσότερες πληροφορίες, επικοινωνήστε με την Black & Decker στην παρακάτω διεύθυνση ή ανατρέξτε στο πίσω μέρος του εγχειριδίου.

Αυτά τα προϊόντα συμμορφώνονται και με την Οδηγία 2014/30/ΕΕ και 2011/65/ΕΕ. Ο κάτωθι υπογεγραμμένος είναι υπεύθυνος για την κατάρτιση του τεχνικού φακέλου και δηλώνει τα παρόντα εκ μέρους της Black & Decker.

*Patrick Diepenbach*

Patrick Diepenbach

Γενικός Διευθυντής, Μπενελούξ

Black and Decker,

Egide Walschaertsstraat 14-18

2800 Mechelen, Belgium (Βέλγιο)

20/01/2022

## Εγγύηση

Η Black & Decker είναι σίγουρη για την ποιότητα των προϊόντων της και προσφέρει στους καταναλωτές εγγύηση 24 μηνών από την ημερομηνία αγοράς. Αυτή η εγγύηση συμπληρώνει και με κανένα τρόπο δεν παραβάλλπει τα νόμιμα δικαιώματά σας. Η εγγύηση ισχύει εντός της επικράτειας των χωρών μελών της Ευρωπαϊκής Ένωσης και της Ευρωπαϊκής Ζώνης Ελεύθερων Συναλλαγών καθώς και του Ηνωμένου Βασιλείου.

Για να υποβάλτε αξίωση βάσει της εγγύησης, η αξίωση θα πρέπει να είναι σύμφωνη με τους Όρους και προϋποθέσεις της Black & Decker και θα χρειαστεί να υποβάλτε απόδειξη αγοράς στον πωλητή ή σε εξουσιοδοτημένο αντιπρόσωπο επισκευών. Μπορείτε να αποκτήσετε τους Όρους και προϋποθέσεις της εγγύησης 2 ετών της Black & Decker και να μάθετε την τοποθεσία του πλησιέστερου εξουσιοδοτημένου αντιπροσώπου επισκευών στο Internet στο [www.2helpU.com](http://www.2helpU.com), ή επικοινωνώντας με το τοπικό σας γραφείο Black & Decker στη διεύθυνση που υποδεικνύεται στο παρόν εγχειρίδιο.

Παρακαλούμε επισκεφθείτε την ιστοσελίδα μας [www.blackanddecker.gr](http://www.blackanddecker.gr) για να καταχωρίσετε το νέο σας προϊόν Black & Decker και για να ενημερώσετε για τα νέα προϊόντα και τις ειδικές προσφορές.







<b>België/Belgique/Luxembourg</b> www.blackanddecker.be enduser.be@sbdinc.com	Stanley Black & Decker Belgium BVBA Egide Walschaertsstraat 16 2800 Mechelen	Tel. NL +32 15 47 37 65 Tel. FR +32 15 47 37 66 Fax. +32 15 47 37 99
<b>Danmark</b>	Black & Decker Roskildevej 22 2620 Albertslund	kundeservice.dk@sbdinc.com www.blackanddecker.dk
<b>Deutschland</b> www.blackanddecker.de infobfge@sdbinc.com	Stanley Black & Decker Deutschland GmbH Black & Decker Str. 40, D - 65510 Idstein	Tel. 06126 21-0 Fax 06126 21-2980
<b>Ελλάδα</b> www.blackanddecker.gr greece.service@sbdinc.com	Stanley Black & Decker (ΕΛΛΑΣ) Ε.Π.Ε ΓΡΑΦΕΙΑ: Σπύριδωνος 7 & Βουλιαγμένης 166 74 Γλυφάδα - Αθήνα	Τηλ. 210-8981616 Φαξ 210-8983570
<b>SERVICE:</b>	Ημερος Τόπος 2 -Χάνι Αδάμ 193 00 Ασπρόπυργος - Αθήνα	Τηλ. Service 210-8985208 Φαξ 210-5597598
<b>España</b> www.blackanddecker.es respuesta.posventa@sbdinc.com	Stanley Black & Decker Ibérica, S.C.A. Parc de Negocis "Mas Blau" Edificio Muntadas, c/Bergadà, 1, Of. A6 08820 El Prat de Llobregat (Barcelona)	Tel. 934 797 400 Fax 934 797 419
<b>France</b> www.blackanddecker.fr	Black & Decker (France) S.A.S. 5 allée des Hêtres B.P. 30084 69579 Limonest Cédex	Tel. 04 72 20 39 20 Fax 04 72 20 39 00
<b>Helvetia</b> www.blackanddecker.ch service@rofoag.ch	ROFO AG Gewerbezone Seeblick 3213 Kleinbösingen	Tel. 026-6749393 Fax 026-6749394
<b>Italia</b> www.blackanddecker.it service.italia@sbdinc.com	Stanley Black & Decker Italia Via Energypark 6 20871 Vimercate (MB)	Tel. 039-9590200 Fax 039-9590313 Numero verde 800-213935
<b>Nederland</b> www.blackanddecker.nl enduser.nl@sbdinc.com	Stanley Black & Decker Netherlands BV Holtum Noordweg 35, 6121 RE BORN Postbus 83, 6120 AB BORN	Tel. +31 164 283 065 Fax +31 164 283 200
<b>Norge</b>	Black & Decker Postboks 4613, Nydalen 0405 Oslo	kundeservice.no@sbdinc.com www.blackanddecker.no
<b>Österreich</b> www.blackanddecker.at service.austria@sbdinc.com	Stanley Black & Decker Austria GmbH Oberlaaerstraße 248, A-1230 Wien	Tel. 01 66116-0 Fax 01 66116-614
<b>Portugal</b> www.blackanddecker.pt resposta.posvenda@sbdinc.com	Black & Decker Limited SARL Quinta da Fonte - Edifício Q55 D. Diniz Rua dos Malhães, 2 e 2A - Piso 2 Esquerdo 2770 - 071 Paço de Arcos	Tel. 214667500 Fax 214667580
<b>Suomi</b>	Black & Decker PL47 00521, Helsinki	asiakaspalvelu.fi@sbdinc.com www.blackanddecker.fi
<b>Sverige</b>	Black & Decker AB Box 94, 431 22 Mölndal	kundservice.se@sbdinc.com www.blackanddecker.se
<b>Türkiye</b> www.blackanddecker.com.tr	KALE Hirdavat ve Makina A.Ş. Defferdar Mah. Savaklar Cad. No:15 Edimekapı / Eyüp / İstanbul 34050	Tel. 0212 533 52 55 Fax. 0212 533 10 05
<b>United Kingdom &amp; Republic Of Ireland</b> www.blackanddecker.co.uk emeaservice@sbdinc.com	Black & Decker 270 Bath Road Slough, Berkshire SL1 4DX	Tel. 01753 511234 Fax 01753 512365
<b>Middle East &amp; Africa</b> www.blackanddecker.ae service.mea@sbdinc.com	Black & Decker P.O.Box - 17164 Jebel Ali Free Zone (South), Dubai, UAE	Tel. +971 4 8863030 Fax +971 4 8863333