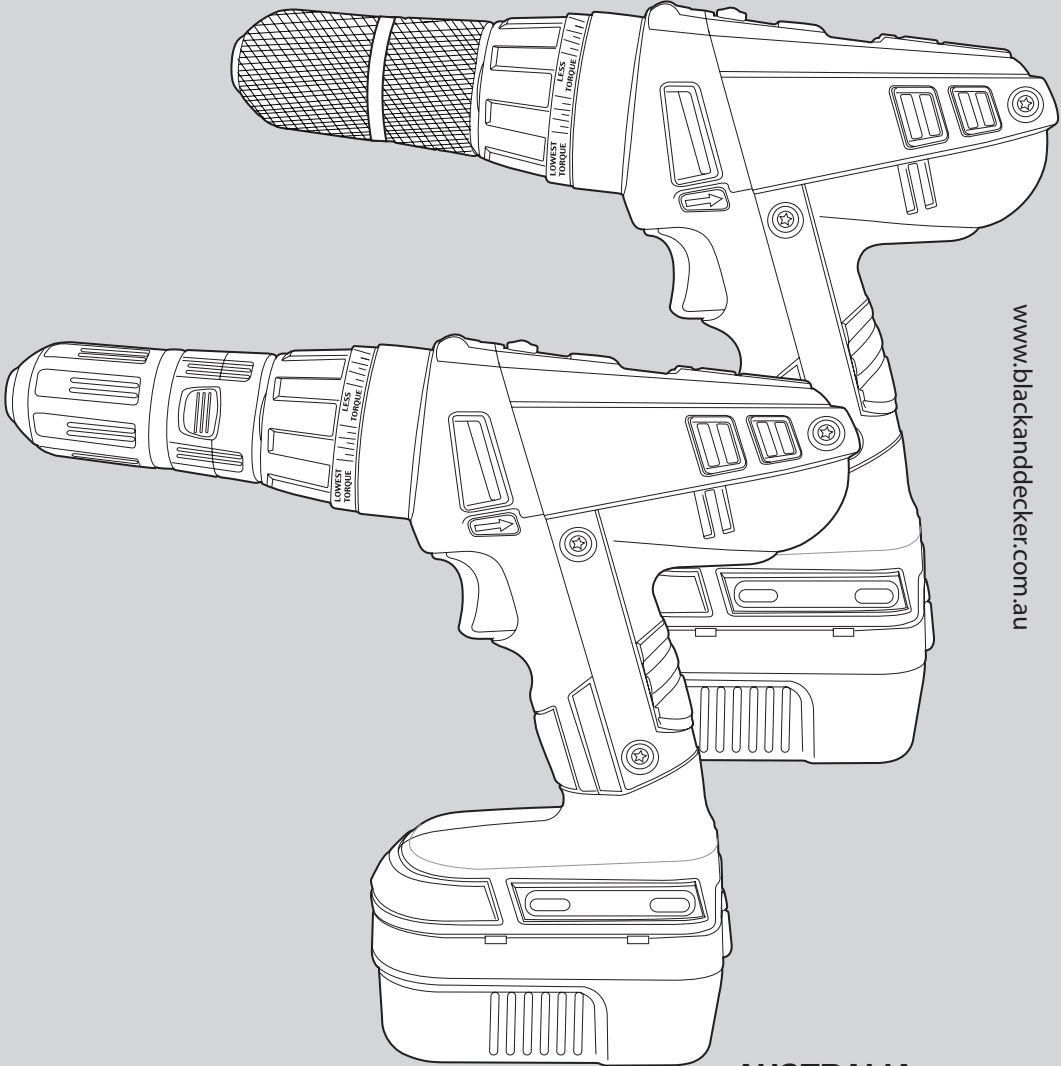


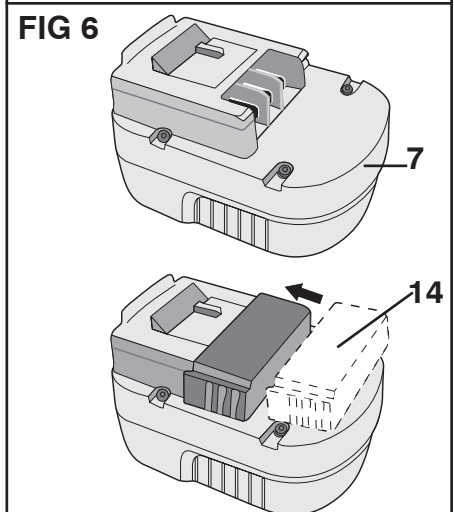
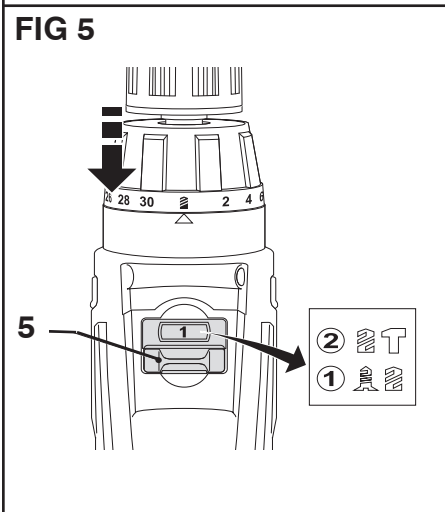
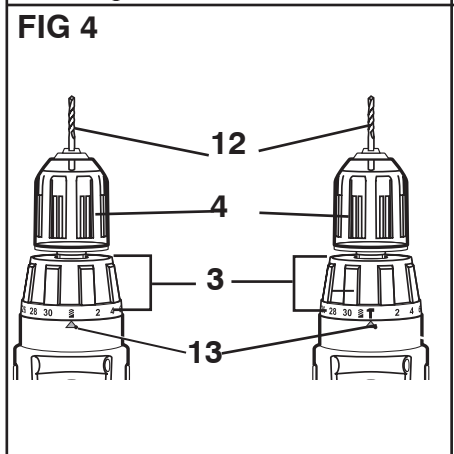
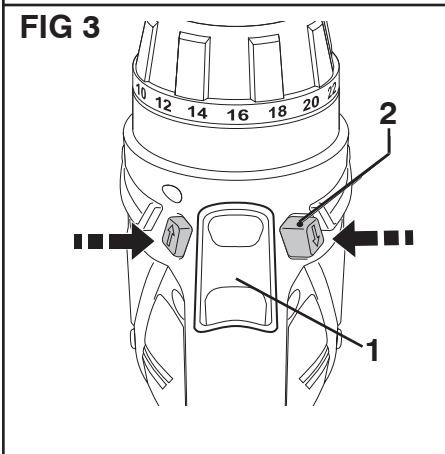
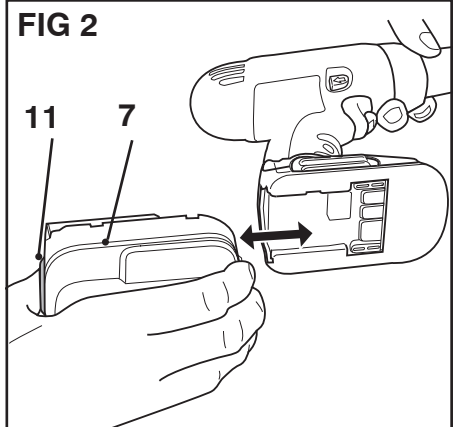
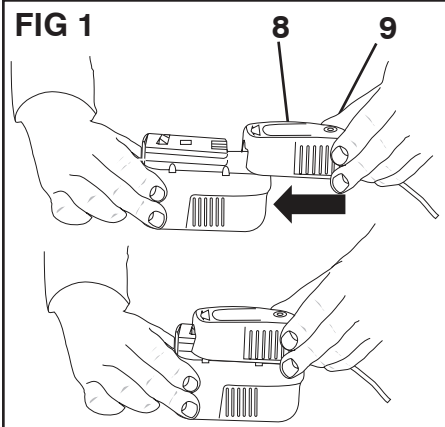


# BLACK & DECKER®

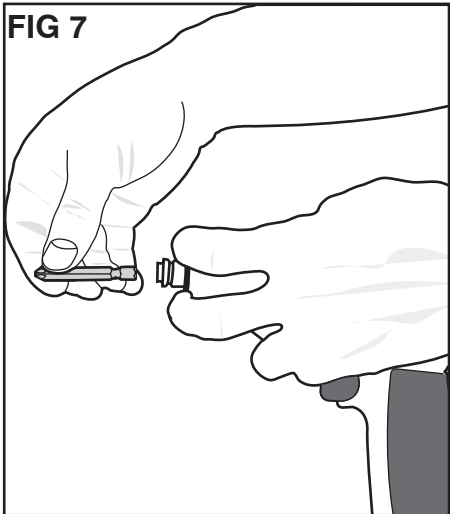


[www.blackanddecker.com.au](http://www.blackanddecker.com.au)

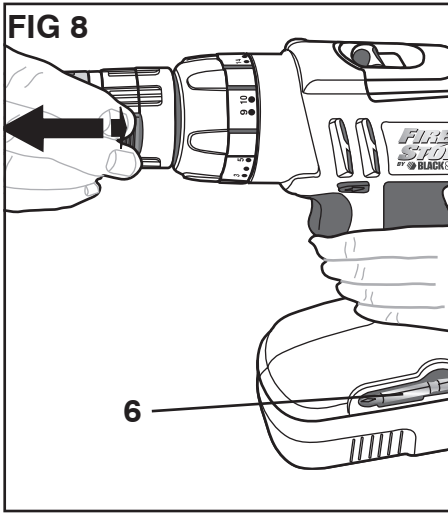
**AUSTRALIA  
NEW ZEALAND**



**FIG 7**



**FIG 8**



## Intended Use

Black & Decker drill/screwdriver BD126F3/BD146F3 has been designed for screwdriving applications and for drilling in wood, metal and plastics.

Your Black & Decker hammer drill/screwdriver BD128F3/BD148F3/BD188F3 has been designed for screwdriving applications and for drilling in wood, metal, plastics and soft masonry. This tool is intended for consumer use only.

## General Safety Rules

**⚠ Warning!** Read all instructions. *Failure to follow all instructions listed below may result in electric shock, fire and/or serious injury. The term “power tool” in all of the warnings listed below refers to your mains operated (corded) power tool or battery operated (cordless) power tool.*

### SAVE THESE INSTRUCTIONS

#### 1) Work area

**a) Keep work area clean and well lit.** *Cluttered and dark areas invite accidents.*

**b) Do not operate power tools in explosive atmospheres, such as in the presence of flammable liquids, gases or dust.** *Power tools create sparks which may ignite the dust or fumes.*

**c) Keep children and bystanders away while operating a power tool.** *Distractions can cause you to lose control.*

#### 2) Electrical safety

**a) Power tool plugs must match the outlet.** **Never modify the plug in any way. Do not use any adapter plugs with earthed (grounded) power tools.** *Unmodified plugs and matching outlets will reduce risk of electric shock.*

**b) Avoid body contact with earthed or grounded surfaces such as pipes, radiators, ranges and refrigerators.** *There is an increased risk of electric shock if your body is earthed or grounded.*

**c) Do not expose power tools to rain or wet conditions.** *Water entering a power tool will increase the risk of electric shock.*

**d) Do not abuse the cord. Never use the cord**

**for carrying, pulling or unplugging the power tool. Keep cord away from heat, oil, sharp edges or moving parts.** *Damaged or entangled cords increase the risk of electric shock.*

**d) When operating a power tool outdoors, use an extension cord suitable for outdoor use.** *Use of a cord suitable for outdoor use reduces the risk of electric shock.*

#### 3) Personal safety

**a) Stay alert, watch what you are doing and use common sense when operating a power tool. Do not use a power tool while you are tired or under the influence of drugs, alcohol or medication.** *A moment of inattention while operating power tools may result in serious personal injury.*

**b) Use safety equipment. Always wear eye protection.** *Safety equipment such as dust mask, non-skid safety shoes, hard hat, or hearing protection used for appropriate conditions will reduce personal injuries.*

**c) Avoid accidental starting. Ensure the switch is in the off position before plugging in.** *Carrying power tools with your finger on the switch or plugging in power tools that have the switch on invites accidents.*

**d) Remove any adjusting key or wrench before turning the power tool on.** *A wrench or a key left attached to a rotating part of the power tool may result in personal injury.*

**e) Do not overreach. Keep proper footing and balance at all times.** *This enables better control of the power tool in unexpected situations.*

**f) Press properly. Do not wear loose clothing or jewellery. Keep your hair, clothing and gloves away from moving parts.** *Loose clothes, jewellery or long hair can be caught in moving parts.*

**g) If devices are provided for the connection of dust extraction and collection facilities, ensure these are connected and properly used.** *Use of these devices can reduce dust related hazards.*

#### 4) Power tool use and care

**a) Do not force the power tool. Use the correct power tool for your application.** *The correct power tool will do the job better and safer at the rate for which it was designed.*

**b) Do not use the power tool if the switch**

**does not turn it on and off.** *Any power tool that cannot be controlled with the switch is dangerous and must be repaired.*

**c) Disconnect the plug from the power source before making any adjustments, changing accessories, or storing power tools.** *Such preventive safety measures reduce the risk of starting the power tool accidentally.*

**d) Store idle power tools out of the reach of children and do not allow persons unfamiliar with the power tool or these instructions to operate the power tool.** *Power tools are dangerous in the hands of untrained users.*

**e) Maintain power tools. Check for misalignment or binding of moving parts, breakage of parts and any other condition that may affect the power tools operation. If damaged, have the power tool repaired before use.** *Many accidents are caused by poorly maintained power tools.*

**f) Keep cutting tools sharp and clean.** *Properly maintained cutting tools with sharp cutting edges are less likely to bind and are easier to control.*

**g) Use the power tool, accessories and tool bits etc., in accordance with these instructions and in the manner intended for the particular type of power tool, taking into account the working conditions and the work to be performed.** *Use of the power tool for operations different from those intended could result in a hazardous situation.*

#### **5) Battery tool use and care**

**a) Ensure the switch is in the off position before inserting battery pack.** *Inserting the battery pack into power tools that have the switch on invites accidents.*

**b) Recharge only with the charger specified by the manufacturer.** *A charger that is suitable for one type of battery pack may create a risk of fire when used with another battery pack.*

**c) Use power tools only with specifically designated battery packs.** *Use of any other battery packs may create a risk of injury and fire.*

**d) When battery pack is not in use, keep it away from other metal objects like paper clips, coins, keys, nails, screws, or other small metal objects that can make a connection**

**from one terminal to another.** *Shorting the battery terminals together may cause burns or a fire.*

**e) Under abusive conditions, liquid may be ejected from the battery; avoid contact. If contact accidentally occurs, flush with water. If liquid contacts eyes, additionally seek medical help.** *Liquid ejected from the battery may cause irritation or burns.*

#### **6) Service**

**a) Have your power tool serviced by a qualified repair person using only identical replacement parts.** *This will ensure that the safety of the power tool is maintained.*

#### **Additional Safety Instructions For Australia And New Zealand**


**a) Young children and the infirm.** *This appliance is not intended for use by young children or infirm persons without supervision. Young children should be supervised to ensure that they do not play with this appliance.*

**b) Replacement of the supply cord.** *If the supply cord is damaged, it must be replaced by the manufacturer or an authorised Black & Decker Service Centre in order to avoid a hazard.*

#### **Additional safety instructions for batteries and chargers**

##### **Batteries**

- Never attempt to open for any reason.
- Do not expose the battery to water.
- Do not store in locations where the temperature may exceed 40°C.
- Charge only at ambient temperatures between 4°C and 40°C.
- Charge only using the charger provided with the tool.
- When disposing of batteries, follow the instructions given in the section "Protecting the environment".
- Under extreme conditions, battery leakage may occur. When you notice liquid on the battery, proceed as follows:
  - Carefully wipe the liquid off using a cloth. Avoid skin contact.
  - In case of skin or eye contact, follow the instructions below.

 **Warning!** The battery fluid, a 25-30% solution of potassium hydroxide, can be harmful. In case of skin contact, immediately rinse with water. Neutralise with a mild acid such as lemon juice or vinegar. In case of eye contact, rinse abundantly with clean water for at least 10 minutes. Consult a physician.

- Do not incinerate the battery.
- Do not attempt to charge damaged batteries.

### Chargers

- Use your Black & Decker charger only to charge the battery in the tool with which it was supplied. Other batteries could burst, causing personal injury and damage.
- Never attempt to charge non-rechargeable batteries.
- Have defective cords replaced immediately.
- Do not expose the charger to water.
- Do not open the charger.
- Do not probe the charger.



The charger is intended for indoor use only.

### Electrical safety

Your charger is double insulated; therefore no earth wire is required. Always check that the mains voltage corresponds to the voltage on the rating plate. Never attempt to replace the charger unit with a regular mains plug.



### Additional safety instructions for impact drills

- Wear ear protectors with impact drills. Exposure to noise can cause hearing loss.
- Before drilling into walls, floors or ceilings, check for the location of wiring and pipes.
- Avoid touching the tip of a drill bit just after drilling, as it may be hot.

### Features


This tool includes some or all of the following features.

1. Variable speed switch
2. Forward/reverse slider
3. Mode selector / torque adjustment collar
4. Chuck
5. Two-gear selector
6. Bit holder
7. Battery

### Fig. 1

8. Charger
9. Charging indicator


### Assembly

 **Warning!** Before assembly, remove the battery from the tool.

### Fitting and removing the battery (fig. 2)

- To fit the battery (7), line it up with the receptacle on the tool. Slide the battery into the receptacle and push until the battery snaps into place.
- To remove the battery, push the release button (11) while at the same time pulling the battery out of the receptacle.

### Fitting the battery cap (fig. 6)


 **Warning!** Fit the cap (14) to the battery (7) for transportation and storage.


### Fitting and removing a drill bit or screwdriver bit (fig. 4)


This tool is fitted with a keyless chuck to allow for an easy exchange of bits.

- Lock the tool by setting the forward/reverse slider (2) to the centre position.
- Open the chuck by turning the sleeve (4) with one hand while holding the tool with the other.
- Insert the bit shaft (12) into the chuck.
- Firmly tighten the chuck by turning sleeve (4) with one hand while holding the tool with the other. This tool is supplied with a double-ended screwdriver bit in the bit holder.
- To remove the screwdriver bit from the bit holder, lift the bit from the recess.
- To store the screwdriver bit, firmly push it into the holder.

### Use

 **Warning!** Let the tool work at its own pace. Do not overload.

 **Warning!** Before drilling into walls, floors or ceilings, check for the location of wiring and pipes.

 **Warning!** We recommend the use of a residual current device with a residual current rating of 30mA or less.

### Charging the battery (fig. 1)

The battery needs to be charged before first use and whenever it fails to produce sufficient

power on jobs that were easily done before. When charging the battery for the first time, or after prolonged storage, it will only accept an 80% charge. After several charge and discharge cycles, the battery will attain full capacity. The battery may become warm while charging; this is normal and does not indicate a problem.

**⚠ Warning!** Do not charge the battery at ambient temperatures below 4°C or above 40°C. Recommended charging temperature: approx. 24°C.

### Using the 3hr charger

- To charge the battery (7), remove it from the tool and insert it into the charger (8). The battery will only fit into the charger in one way. Do not force. Be sure that the battery is fully seated in the charger.
- Plug in the charger.
- Check the red charging indicator (9) lights up. Allow approximately 3 hours for the battery to fully charge.
- Remove the battery from the charger.
- Unplug the charger

### Selecting the direction of rotation (fig. 3)


For drilling and for tightening screws, use forward (clockwise) rotation. For loosening screws or removing a jammed drill bit, use reverse (counterclockwise) rotation.

- To select forward rotation, push the forward/reverse slider (2) to the left.
- To select reverse rotation, push the forward/reverse slider to the right.
- To lock the tool, set the forward/reverse slider into the centre position.


### Selecting the operating mode or torque (fig. 4)

This tool is fitted with a collar to select the operating mode and to set the torque for tightening screws. Large screws and hard workpiece materials require a higher torque setting (larger

numbers on collar) than small screws and soft workpiece materials. The collar has a wide range of settings to suit your application.

- For drilling in wood, metal and plastics, set the collar (4) to the drilling position by aligning the symbol  with the marking (13).
- For screwdriving, set the collar to the desired setting. If you do not yet know the appropriate setting, proceed as follows:
  - Set the collar (4) to the lowest torque setting.
  - Tighten the first screw.
  - If the clutch ratchets before the desired result is achieved, increase the collar setting and continue tightening the screw. Repeat until you reach the correct setting. Use this setting for the remaining screws.

### BD128F3/BD148F3/BD188F3 - Drilling in masonry (fig. 4&5)

- For drilling in masonry, set the collar (3) to the hammer drilling position by aligning the symbol  with the marking (13).
- Slide the two-gear selector (5) towards the front of the tool (2nd gear).

### Two-gear selector (fig. 5)

- For drilling in steel and for screwdriving applications, slide the two-gear selector (5) towards the rear of the tool (1st gear).
- For drilling in materials other than steel, slide the two-gear selector (5) towards the front of the tool (2nd gear).

### Removable Chuck with Quick Connect™ Bit Change System - Figure 8 (BD126F3/BD146F3 only)

Another unique feature of your drill is the ability to remove the chuck quickly and easily. This allows for a drill bit to be in the keyless chuck, while another accessory such as a screwdriver bit, can be inserted into the Quick Connect™ hex shaft at the same time.

To remove the chuck:

1. Grasp the drill and depress the two orange buttons on the chuck collar as shown in Figure 8
2. With the buttons depressed, pull straight out.

To replace the chuck:

1. Push the quick connect chuck straight on with a slight twisting motion until you hear it click into

place. To insert a screwdriver bit into the Quick Connect™ hex shaft, push the bit in until you hear it click into place. To remove the bit, hold the drill as shown in Figure 7. Push in evenly on the spring loaded disc with two fingers and pull the bit straight out.

**Note:** Hex shanks only

### Drilling/screwdriving

- Select forward or reverse rotation using the forward/reverse slider (2).
- To switch the tool on, press the switch (1). The tool speed depends on how far you press the switch.
- To switch the tool off, release the switch.

### Hints for optimum use

#### Drilling

- Always apply a light pressure in a straight line with the drill bit.
- Just before the drill tip breaks through the other side of the workpiece, decrease pressure on the tool.
- Use a block of wood to back up workpieces that may splinter.
- Use spade bits when drilling large diameter holes in wood.
- Use HSS drill bits when drilling in metal.
- Use masonry bits when drilling in soft masonry.
- Use a lubricant when drilling metals other than cast iron and brass.
- Make an indentation using a centre punch at the centre of the hole to be drilled in order to improve accuracy.

#### Screwdriving

- Always use the correct type and size of screwdriver bit.
- If screws are difficult to tighten, try applying a small amount of washing liquid or soap as a lubricant.
- Always hold the tool and screwdriver bit in a straight line with the screw.


#### Maintenance

Your Black & Decker tool has been designed to operate over a long period of time with a minimum of maintenance.

Continuous satisfactory operation depends upon

proper tool care and regular cleaning.

Your charger does not require any maintenance apart from regular cleaning.

-  **Warning!** Before performing any maintenance on the tool, remove the battery from the tool. Unplug the charger before cleaning it.
- Regularly clean the ventilation slots in your tool and charger using a soft brush or dry cloth.
  - Regularly clean the motor housing using a damp cloth. Do not use any abrasive or solvent-based cleaner.
  - Regularly open the chuck and tap it to remove any dust from the interior.

### Protecting the environment



Separate collection. This product must not be disposed of with normal household waste.

Should you find one day that your Black & Decker product needs replacement, or if it is of no further use to you, do not dispose of it with household waste. Make this product available for separate collection.



Separate collection of used products and packaging allows materials to be recycled and used again. Re-use of recycled materials helps prevent environmental pollution and reduces the demand for raw materials.

Local regulations may provide for separate collection of electrical products from the household, at municipal waste sites or by the retailer when you purchase a new product.

Black & Decker provides a facility for the collection and recycling of Black & Decker products once they have reached the end of their working life. To take advantage of this service please return your product to any authorised repair agent who will collect them on our behalf.

You can check the location of your nearest authorised repair agent by contacting your local Black & Decker office at the address indicated in this manual. Alternatively, a list of authorised Black & Decker repair agents and full details of our after-sales service and contacts are available on the Internet at: [www.2helpU.com](http://www.2helpU.com)



## Batteries

Black & Decker batteries can be recharged many times. At the end of their useful life, discard batteries with due care for our environment:

- Run the battery down completely, then remove it from the tool.

- NiCd and NiMH batteries are recyclable. Take them to any authorised repair agent or a local recycling station.

## THE RBRC™ SEAL



The RBRC™ (Rechargeable Battery Recycling Corporation) Seal on the nickel-cadmium battery (or battery pack) indicates that the costs to recycle the battery (or battery pack) at the end of its useful life have already been paid by Black & Decker. In some areas, it is illegal to place spent nickel-cadmium batteries in the trash or municipal solid waste stream and the RBRC program provides an environmentally conscious alternative. RBRC in cooperation with Black & Decker and other battery users, has established programs in the United States and Canada to facilitate the collection of spent nickel-cadmium batteries. Help protect our environment and conserve natural resources by returning the spent nickel-cadmium battery to an authorized Black & Decker service center or to your local retailer for recycling. You may also contact your local recycling center for information on where to drop off the spent battery.

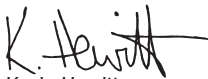
## EC declaration of conformity

BD126F3/BD128F3/BD146F3 /BD148F3/BD188F3  
Black & Decker declares that these products conform to:

EN 50260, EN 55014, EN 60335, EN 61000

LpA (sound pressure) 2.5dB(A), LWA (acoustic power)  
2.6 dB(A), hand/arm weighted vibration 3 m/s<sup>2</sup>

KpA (sound pressure uncertainty) 3 dB(A), KWA  
(acoustic power uncertainty) 3 dB(A)



Kevin Hewitt

Director of Consumer Engineering  
Spennymoor, County Durham DL16 6JG,  
United Kingdom  
1-6-2005

## Guarantee

Black & Decker is confident of the quality of its products and offers an outstanding guarantee. This guarantee statement is in addition to and in no way prejudices your statutory rights. If a Black & Decker product becomes defective due to faulty materials, workmanship or lack of conformity, within 48 months from the date of purchase, Black & Decker guarantees to replace defective parts, repair products subjected to fair wear and tear or replace such products to ensure minimum inconvenience to the customer unless:

- The product has been used for trade, professional or hire purposes;
- The product has been subjected to misuse or neglect;
- The product has sustained damage through foreign objects, substances or accidents;
- Repairs have been attempted by persons other than authorised repair agents or Black & Decker service staff. To claim on the guarantee, you will need to submit proof of purchase to the seller or an authorised repair agent. You can check the location of your nearest authorised repair agent by contacting your local Black & Decker office at the address indicated in this manual. Alternatively, a list of authorised Black & Decker repair agents and full details of our after-sales service and contacts are available on the Internet at:

[www.2helpU.com](http://www.2helpU.com)

## Australia

Black & Decker (Australia) Pty. Ltd.  
20 Fletcher Road,  
Mooroolbark, Victoria. 3138  
Tel. 03-8720 5100  
Fax 03-9727 5940

## New Zealand

Black & Decker New Zealand Pty. Ltd.  
5 Te Apunga Place, Mt. Wellington,  
Auckland, New Zealand  
Tel. 0800 339 258  
Fax 09 259 1122

Drill	BD126F3	BD128F3	BD146F3	BD148F3	BD188F3
Voltage Volt dc	12	12	14.4	14.4	18
No load speed RPM	0-380/0-1200	0-380/0-1300	0-350/0-1400	0-350/0-1400	0-450/0-1450
BPM		0-5100/0-16900		0-6750/0-21000	0-6750/0-21000
Max. TorqueNm	32	32	34	34	38
Chuck Capacity mm	10	10	10	13	13
Max. Drilling capacity					
Steel mm	10	10	10	13	13
Wood mm	25	25	30	30	35
Mansory mm	-	10	-	13	13
Weight (without battery)kg	1.4	1.4	1.5	1.5	1.6
Battery Cat. No	A12	A12	A14	A14	A18
Capacity Ah	1.5	1.5	1.5	1.5	1.5
Charger	3 Hour	3 Hour	3 Hour	3 Hour	3 Hour

