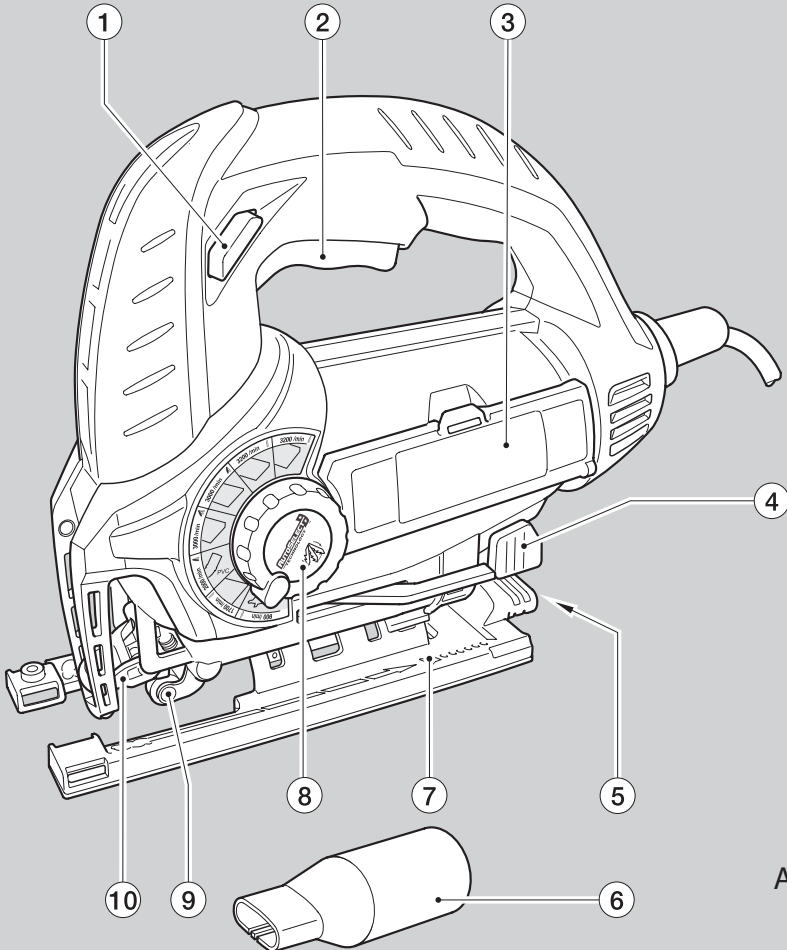




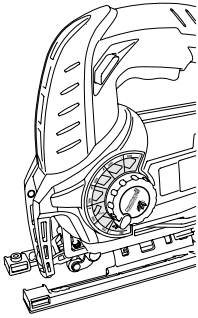
BLACK & DECKER®

www.blackanddecker.com.au

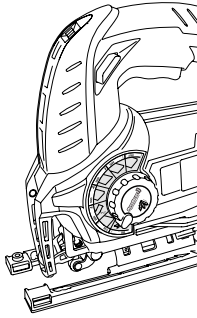


Australia

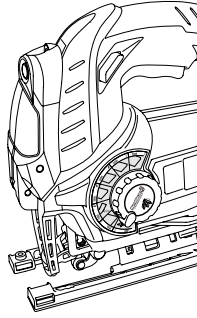
New Zealand



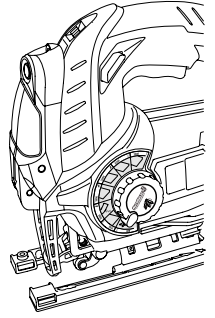
A KS900S
KS950S



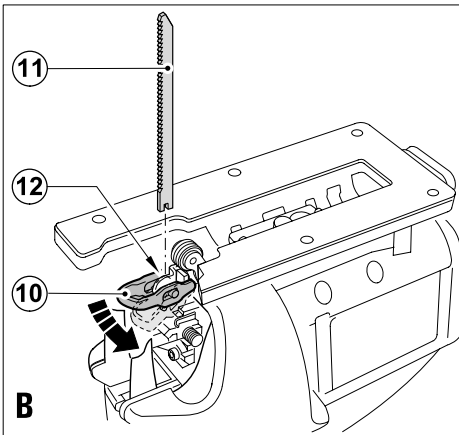
KS900SW
KS950SW



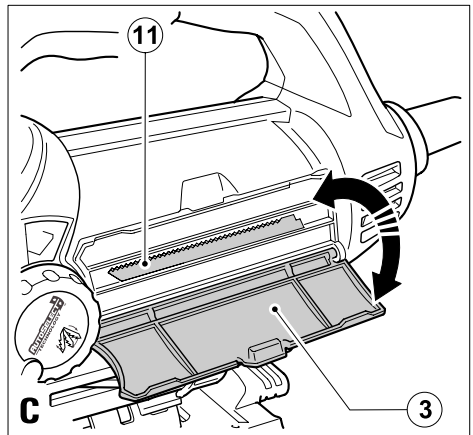
KS900SL
KS950SL



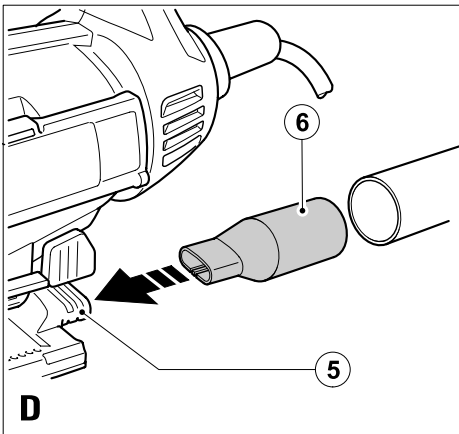
KS900SLW
KS950SLW



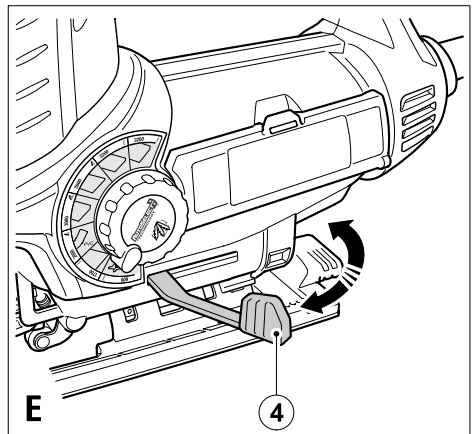
B



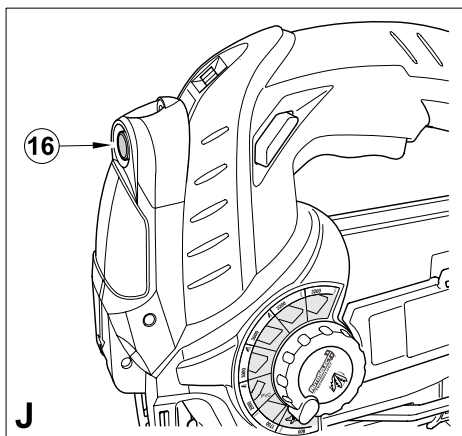
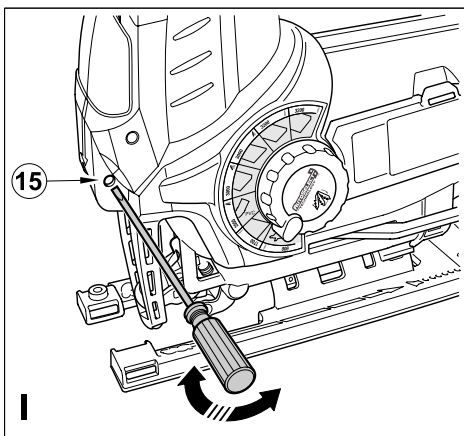
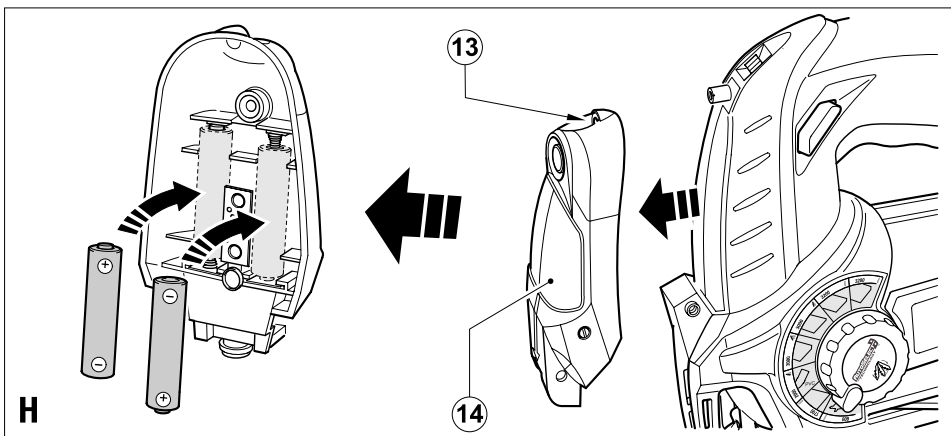
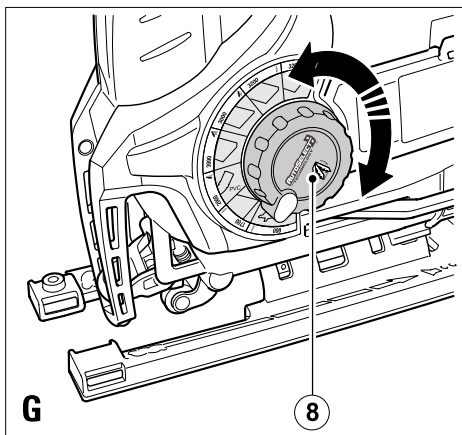
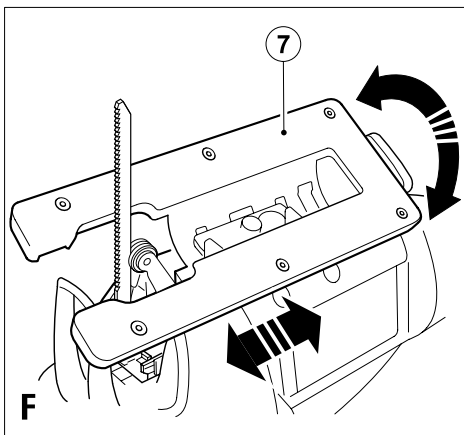
C

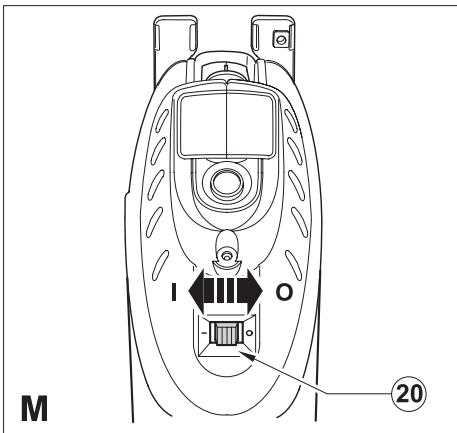
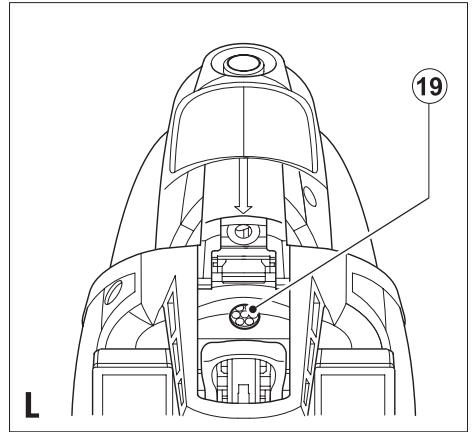
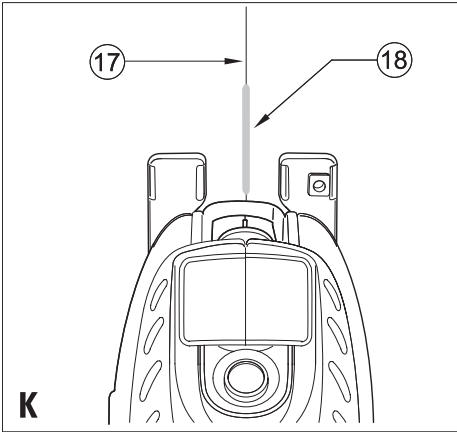


D



E





Intended use

Your Black & Decker jigsaw has been designed for sawing wood, plastics and sheet metal. This tool is intended for consumer use only.

General safety rules



Warning! Read all safety warnings and all instructions. Failure to follow all instructions may result in electric shock, fire and/or serious injury.

SAVE ALL WARNINGS AND INSTRUCTIONS FOR FUTURE REFERENCE.

The term "power tool" in all of the warnings listed below refers to your mains operated (corded) power tool or battery operated (cordless) power tool.

1. **Work area safety**
 - a. **Keep work area clean and well lit.** Cluttered and dark areas invite accidents.
 - b. **Do not operate power tools in explosive atmospheres, such as in the presence of flammable liquids, gases or dust.** Power tools create sparks which may ignite the dust or fumes.
 - c. **Keep children and bystanders away while operating a power tool.** Distractions can cause you to lose control.
2. **Electrical safety**
 - a. **Power tool plugs must match the outlet. Never modify the plug in any way. Do not use any adapter plugs with earthed (grounded) power tools.** Unmodified plugs and matching outlets will reduce risk of electric shock.
 - b. **Avoid body contact with earthed or grounded surfaces such as pipes, radiators, ranges and refrigerators.** There is an increased risk of electric shock if your body is earthed or grounded.
 - c. **Do not expose power tools to rain or wet conditions.** Water entering a power tool will increase the risk of electric shock.
 - d. **Do not abuse the cord. Never use the cord for carrying, pulling or unplugging the power tool. Keep cord away from heat, oil, sharp edges or moving parts.** Damaged or entangled cords increase the risk of electric shock.
 - e. **When operating a power tool outdoors, use an extension cord suitable for outdoor use.** Use of a cord suitable for outdoor use reduces the risk of electric shock.
3. **Personal safety**
 - a. **Stay alert, watch what you are doing and use common sense when operating a power tool. Do not use a power tool while you are tired or under the influence of drugs, alcohol or medication.** A moment of inattention while operating power tools may result in serious personal injury.
 - b. **Use personal protective equipment. Always wear eye protection.** Protective equipment such as dust mask, non-skid safety shoes, hard hat, or hearing protection used for appropriate conditions will reduce personal injuries.
 - c. **Prevent unintentional starting. Ensure the switch is in the off-position before connecting to power source and/or battery pack, picking up or carrying the tool.** Carrying power tools with your finger on the switch or energising power tools that have the switch on invites accidents.
 - d. **Remove any adjusting key or wrench before turning the power tool on.** A wrench or a key left attached to a rotating part of the power tool may result in personal injury.
 - e. **Do not overreach. Keep proper footing and balance at all times.** This enables better control of the power tool in unexpected situations.
 - f. **Dress properly. Do not wear loose clothing or jewellery. Keep your hair, clothing and gloves away from moving parts.** Loose clothes, jewellery or long hair can be caught in moving parts.
 - g. **If devices are provided for the connection of dust extraction and collection facilities, ensure these are connected and properly used.** Use of these devices can reduce dust related hazards
4. **Power tool use and care**
 - a. **Do not force the power tool. Use the correct power tool for your application.** The correct power tool will do the job better and safer at the rate for which it was designed.
 - b. **Do not use the power tool if the switch does not turn it on and off.** Any power tool that cannot be controlled with the switch is dangerous and must be repaired.
 - c. **Disconnect the plug from the power source and/or the battery pack from the power tool before making any adjustments, changing accessories, or storing power tools.** Such preventive safety measures reduce the risk of starting the power tool accidentally.
 - d. **Store idle power tools out of the reach of children and do not allow persons unfamiliar with the power tool or these instructions to operate the power tool.** Power tools are dangerous in the hands of untrained users.
 - e. **Maintain power tools. Check for misalignment or binding of moving parts, breakage of parts and any other condition that may affect the power tools operation. If damaged, have the power tool repaired before use.** Many accidents are caused by poorly maintained power tools.
 - f. **Keep cutting tools sharp and clean.** Properly maintained cutting tools with sharp cutting edges are less likely to bind and are easier to control.

- g. **Use the power tool, accessories and tool bits etc. in accordance with these instructions, taking into account the working conditions and the work to be performed.**

Use of the power tool for operations different from those intended could result in a hazardous situation.

5. Service

- a. **Have your power tool serviced by a qualified repair person using only identical replacement parts.** This will make sure that the safety of the power tool is maintained.

Specific safety instructions for jigsaws

- ◆ Hold the tool by the insulated gripping surfaces when performing an operation where the cutting tool may contact hidden wiring or its own cord. Contact with a "live" wire will make exposed metal parts of the tool "live" and shock the operator.
- ◆ Use clamps or another practical way to secure and support the workpiece to a stable platform. Holding the work by hand or against your body leaves it unstable and may lead to loss of control.
- ◆ Keep hands away from cutting area. Never reach underneath the work piece any reason. Do not insert fingers or thumb into the vicinity of the reciprocating blade and blade clamp. Do not stabilize the saw by gripping the shoe.
- ◆ Keep blades sharp. Dull or damaged blades may cause the saw to swerve or stall under pressure. Always use the appropriate type of saw blade for the workpiece material and type of cut.
- ◆ When cutting pipe or conduit, make sure that they are free from water, electrical wiring, etc.
- ◆ Do not touch the workpiece or the blade immediately after operating the tool. They can become very hot.
- ◆ Be aware of hidden hazards, before cutting into walls, floors or ceilings, check for the location of wiring and pipes.
- ◆ The blade will continue to move after releasing the switch. Always switch the tool off and wait for the saw blade to come to a complete standstill before putting the tool down.

Warning! Contact with, or inhalation of dusts arising from cutting applications may endanger the health of the operator and possible bystanders. Wear a dust mask specifically designed for protection against dust and fumes and ensure that persons within or entering the work area are also protected.

Electrical safety



This tool is double insulated; therefore no earth wire is required. Always check that the power supply corresponds to the voltage on the rating plate.

- ◆ This appliance is not intended for use by young or infirm persons without supervision. Children must be supervised to ensure they do not play with the appliance.
- ◆ If the supply cord is damaged, it must be replaced by the manufacturer or an authorised Black & Decker Service Centre in order to avoid a hazard.

Additional safety instructions for non-rechargeable batteries

- ◆ Never attempt to open for any reason.
- ◆ Do not store in locations where the temperature may exceed 40 °C.
- ◆ When disposing of batteries, follow the instructions given in the section "Protecting the environment".

Do not incinerate the batteries.

- ◆ Under extreme conditions, battery leakage may occur. When you notice liquid on the batteries, proceed as follows:
 - Carefully wipe the liquid off using a cloth. Avoid skin contact.

Additional safety instructions for lasers



Read all of this manual carefully.



This product is not to be used by children under 16.



Laser radiation.



Do not look into the laser beam.



Do not use optical tools to view the laser beam.

- ◆ This laser complies with class 2 according to IEC 60825-1:2007. Do not replace a laser diode with a different type. If the laser is damaged, have the laser repaired by an authorised repair agent.
- ◆ Do not use the laser for any purpose other than projecting laser lines.
- ◆ An exposure of the eye to the beam of a class 2 laser is considered safe for a maximum of 0.25 seconds. Eyelid reflexes will normally provide adequate protection. At distances greater than 1m, the laser complies with class 1 and is therefore considered completely safe.
- ◆ Never look into the laser beam directly and intentionally.
- ◆ Do not use optical tools to view the laser beam.
- ◆ Do not set up the tool where the laser beam can cross any person at head height.
- ◆ Do not let children come near the laser.

Features

1. Lock-on button
2. On/off switch
3. Blade storage compartment cover
4. Shoe plate locking lever
5. Dust extraction outlet
6. Dust extraction adaptor
7. Shoe plate
8. Smart Select™ dial
9. Blade support roller
10. Tool-free blade clamp

Additional features (fig. A)

Additional features may be applicable depending upon the product purchased. The additional features applicable to the catalogue number purchased are shown in fig. A.

Assembly

Warning! Before attempting any of the following operations, make sure that the tool is switched off and unplugged and that the saw blade has stopped. Used saw blades may be hot.

Fitting the saw blade (fig. B)

- ◆ Hold the saw blade (11) as shown, with the teeth facing forward.
- ◆ Push and hold the blade clamp (10) down.
- ◆ Insert the shank of the saw blade into the blade holder (12) as far as it will go.
- ◆ Release the blade clamp (10).

Saw blade storage (fig. C)

Saw blades (11) can be stored in the storage compartment located on the side of the tool.

- ◆ Open the cover (3) of the saw blade storage compartment by holding the tab on the top of the cover (3) and pulling it outward.
- ◆ The blades are retained in the compartment by a magnetic strip. To remove a blade, press down on one end of the blade to raise the other end, and remove.
- ◆ Close the cover (3) of the saw blade storage compartment and make sure that it is latched closed.

Warning! Close the compartment door securely before operating the saw.

Connecting a vacuum cleaner to the tool (fig. D)

An adaptor is required to connect a vacuum cleaner or dust extractor to the tool. The dust extraction adaptor (6) can be purchased from your local Black & Decker retailer.

- ◆ Push the adaptor (6) into the dust extraction outlet (5).
- ◆ Connect the vacuum cleaner hose to the adaptor (6).

Use

We recommend the use of a residual current device with a residual current rating of 30mA or less.

Adjusting the shoe plate for bevel cuts (fig. E and F)

Warning! Never use the tool when the shoe plate is loose or removed.

The shoe plate (7) can be set to a left or right bevel angle of up to 45°.

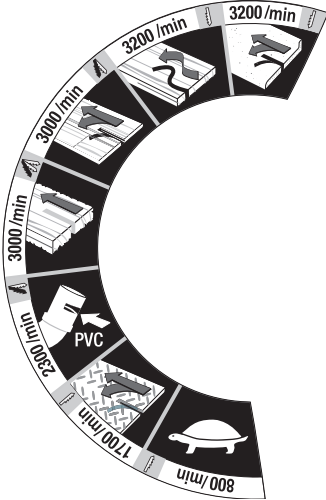







- ◆ Pull the shoe plate locking lever (4) outwards to unlock the shoe plate (7) from the 0 deg position (fig. E).
- ◆ Pull the shoe plate (7) forward and set the required bevel 15°, 30° and 45° indicated in the bevel angle window.
- ◆ Push the shoe plate locking lever (4) back towards the saw to lock the shoe plate (7).

To reset the shoe plate (7) for straight cuts:

- ◆ Pull the shoe plate locking lever (4) outwards to unlock the shoe plate (7).
- ◆ Set the shoe plate (7) to an angle of 0° and push the shoe plate backwards.
- ◆ Push the shoe plate locking lever (4) back towards the saw to lock the shoe plate (7).

How to use the Smart Select™ dial (fig. G)

This tool is fitted with a unique Smart Select™ Dial (8) to set the speed and the pendulum blade action for various cutting applications. To select the optimum speed and pendulum blade action for the type of material being cut, turn the dial (8) as shown in the table below:

	Icon	Application	Speed/Pendulum	Blade Type
 <p>The Smart Select dial is a semi-circular dial with eight segments. Each segment shows a speed setting and a pendulum icon. The segments are: 3200/min (Fast speed, No pendulum), 3200/min (Fast speed, No pendulum), 3000/min (Fast speed, medium pendulum), 3000/min (Fast speed, max pendulum), 2300/min (Medium speed, medium pendulum), 1700/min (Low speed, No pendulum), 800/min (Slow speed, No pendulum), and 800/min (Slow speed, No pendulum). A 'PVC' label is also present near the 2300/min setting.</p>		Kitchen work surfaces, work tops, laminate board	Fast speed, No pendulum	General wood
		Scrolling/curves/craftwork, hardwoods, decking, flooring	Fast speed, No pendulum	Scrolling wood General wood
		Plywood and wood panels	Fast speed, medium pendulum	General wood
		General timber, soft wood, fast rip cutting	Fast speed, max pendulum	General wood
		Plastics, Perspex, PVC	Medium speed, medium pendulum	General purpose
		Sheet metal tin plate, ceramic tile, fibreglass sheet	Low speed, No pendulum	Metal or ceramic or fibreglass blade
		Slow speed, precision start	Slow speed, No pendulum	Choose the correct blade for the application

Switching on and off

- ◆ To switch the tool on, press the on/off switch (2).
- ◆ To switch the tool off, release the on/off switch (2).
- ◆ For continuous operation, press the lock-on button (1) and release the on/off switch (2).
- ◆ To switch the tool off when in continuous operation, press the on/off switch (2) and release it.

Sawing

Hold the tool firmly with both hands while cutting.

The shoe plate (7) should be held firmly against the material being cut. This will help prevent the saw from jumping, reduce vibration and minimise blade breakage.

- ◆ Let the blade run freely for a few seconds before starting the cut.
- ◆ Apply only a gentle pressure to the tool while performing the cut.

Operating the laser (fig. H - K) ('L' units only)

Installing the batteries (fig. H)

Detach the laser module (14) from the jigsaw by removing the screw (13) and pulling the laser module forward. Insert two new 1.5 Volt AAA alkaline batteries, making sure to match the (+) and (-) terminals correctly. Re-attach the laser module (14).

Adjusting the laser side-to-side (fig. I)

Note: The laser is intended as a cutting aid and does not guarantee a precise cut.

Warning! Do not adjust the laser with the jigsaw plugged in.

- ◆ Use the laser adjustment screw (15) to align the laser line with the saw blade if needed.

The laser visibility (power) will be reduced if the jigsaw is overheated. The laser may not be visible when the saw is overloaded for a prolonged period of time. The laser visibility

will gradually return to normal when the tool cools down even when the tool is unplugged.

Warning! Do not leave the overheated laser switched ON.

Make sure that the switch is in the OFF position and remove the batteries to remove power from the laser.

Using the laser (fig. J and K)

The laser projects the line of cut (18) on to the surface of the workpiece.

- ◆ To switch the laser on, press the button (16).
- ◆ To switch the laser off, press the button (16) again.

Viewing from directly above the jigsaw, the line of cut (17) can be easily followed. Should this view be restricted for any reason, the laser can be used as an alternative cutting guide.

- ◆ Use a pencil to mark the cutting line (17).
- ◆ Position the jigsaw over the line (17).
- ◆ Switch on the laser.

Operating the work light (fig. L and M) ('W' units only)

Units that include a 'W' in the catalogue number are provided with an LED light (19) to illuminate the area around the blade.

- ◆ To switch the work light on, slide the switch (20) to the on position (I).
- ◆ To switch the work light off, slide the switch (20) to the off position (0).

Hints for optimum use

Sawing laminates

When cutting laminates, splintering may occur which can damage the presentation surface. The most common saw blades cut on the upward stroke, therefore if the shoe plate is sitting on the presentation surface either use a saw blade that cuts on the downward stroke or:

- ◆ Use a fine-tooth saw blade.
- ◆ Saw from the back surface of the workpiece.
- ◆ To minimise splintering, clamp a piece of scrap wood or hardboard to both sides of the workpiece and saw through this sandwich.

Sawing metal

Be aware that sawing metal takes much more time than sawing wood.

- ◆ Use a saw blade suitable for sawing metal.
- ◆ When cutting thin sheet metal, clamp a piece of scrap wood to the back surface of the workpiece and cut through this sandwich.
- ◆ Spread a film of oil along the intended line of cut.

Maintenance

Your Black & Decker tool has been designed to operate over a long period of time with a minimum of maintenance.

Continuous satisfactory operation depends upon proper tool care and regular cleaning.

- ◆ Regularly clean the ventilation slots in your tool using a soft brush or dry cloth.
- ◆ Regularly clean the motor housing using a damp cloth. Do not use any abrasive or solvent-based cleaner. Never let any liquid get inside the tool and never immerse any part of the tool into liquid.

Mains plug replacement (U.K. & Ireland only)

If a new mains plug needs to be fitted:

- ◆ Safely dispose of the old plug.
- ◆ Connect the brown lead to the live terminal in the new plug.
- ◆ Connect the blue lead to the neutral terminal.

Warning! No connection is to be made to the earth terminal.

Follow the fitting instructions supplied with good quality plugs. Recommended fuse: 5 A.

Protecting the environment



Separate collection. This product must not be disposed of with normal household waste.

Should you find one day that your tool needs replacement, or if it is of no further use to you, think of the protection of the environment. Black & Decker repair agents will accept old Black & Decker tools and ensure that they are disposed of in an environmentally safe way.



Separate collection of used products and packaging allows materials to be recycled and used again. Re-use of recycled materials helps prevent environmental pollution and reduces the demand for raw materials.

Local regulations may provide for separate collection of electrical products from the household, at municipal waste sites or by the retailer when you purchase a new product.

Black & Decker provides a facility for the collection and recycling of Black & Decker products once they have reached the end of their working life. To take advantage of this service please return your product to any authorised repair agent who will collect them on our behalf.

You can check the location of your nearest authorised repair agent by contacting your local Black & Decker office at the address indicated in this manual. Alternatively, a list of authorised Black & Decker repair agents and full details of our after-sales service and contacts are available on the Internet at: www.2helpU.com.



At the end of their useful life, discard batteries with due care for our environment. Remove the batteries as described above.

- ◆ Place the batteries in suitable packaging to ensure that the terminals cannot be short-circuited.
- ◆ Take the batteries to a local recycling station.

Technical data

	KS900 Series	KS950 Series
Voltage	Vac 230	230
Rated input	W 620	650
No-load speed	min ⁻¹ 800-3200	800-3200
Max. depth of cut		
Wood	mm 85	85
Steel	mm 5	5
Aluminium	mm 15	15
Weight	kg 2.8	2.8
(with laser)	kg 3.1	3.1

EC declaration of conformity

KS900 Series, KS950 Series

Black & Decker declares that these products conform to:
98/37/EC, 89/336/EEC, EN 60745, EN 55014, EN61000,
IEC 60825-1:2007

L_{pA} (sound pressure) 87 dB(A),

L_{WA} (acoustic power) 98 dB(A),

hand/arm weighted vibration <6.87 m/s²

K_{pA} (sound pressure uncertainty 3 dB(A),

K_{WA} (sound power uncertainty 3 dB(A),

Kevin Hewitt
Director of Consumer Engineering
Spennymoor, County Durham
DL16 6JG,
United Kingdom
24-06-2007

BLACK & DECKER SUPPLEMENTARY GUARANTEE

Subject to the conditions stated below, Black&Decker guarantees that it will correct by repair or parts replacement, without charge, any defect in the product arising from faulty workmanship or materials where such defect arises within two years from the date of purchase of the product. A product subject to claim under this guarantee should be returned as a complete unit to the most convenient Black&Decker Authorised Service Centre or Agent.

CONDITIONS.

The Black&Decker Supplementary Guarantee does not apply in the following cases:

- ◆ where the product has been used for trade or industrial purposes:
- ◆ where any defect or failure is attributed to accident, misuse, abuse, negligence or non-observance of local regulations on the part of the owner or user: or
- ◆ where the product has been serviced by a person not authorised by Black&Decker to do so, or with non approved parts: or
- ◆ to loose accessories.

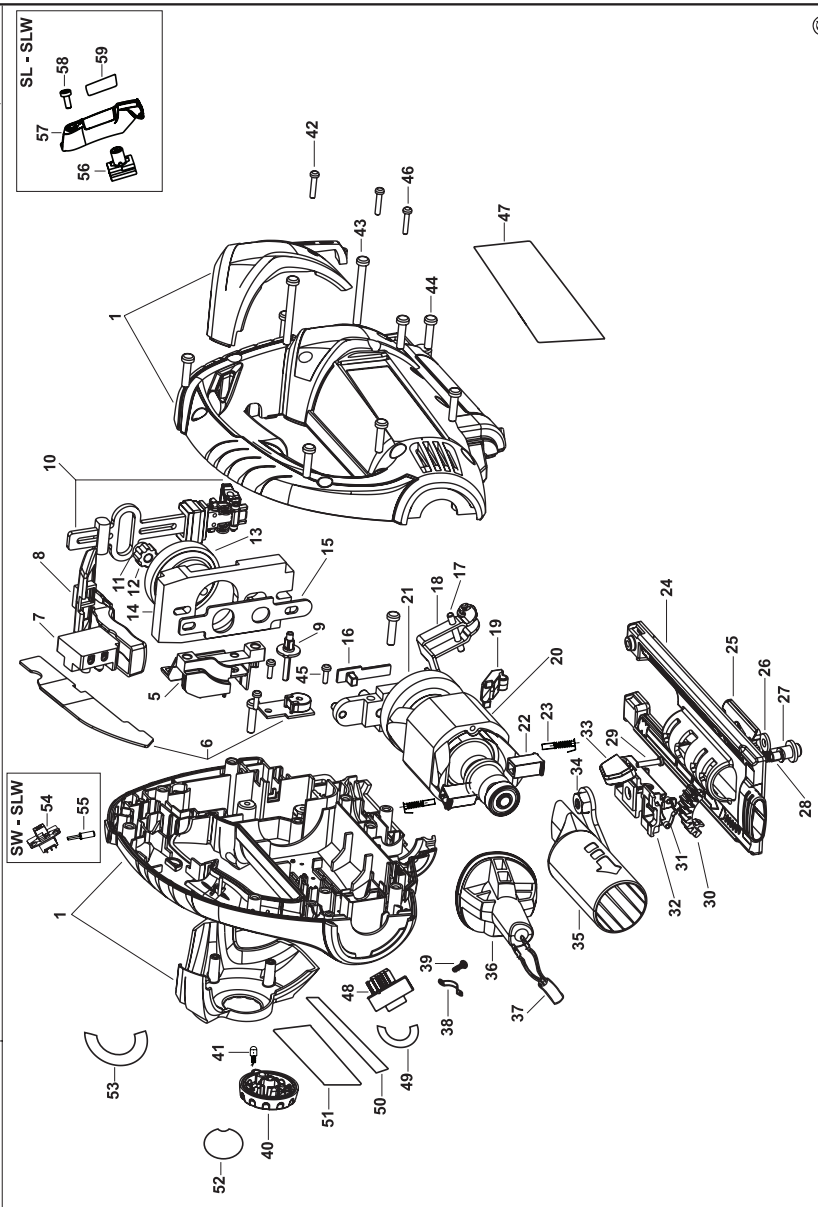
In order to enforce the Black&Decker Supplementary Guarantee, proof of purchase is required (Guarantee Card and or store receipt). The period of the Black&Decker Supplementary Guarantee begins from the original date of purchase not withstanding any subsequent repair or parts replacement. No guarantees other than contained in this document, whether written or verbal, are authorised to be made on behalf of Black&Decker. All other conditions and guarantees whether expressed or implied by law, are, to the extent permitted by law, hereby excluded. The Black&Decker Supplementary Guarantee does not apply outside Australia and New Zealand.

PURCHASERS STATUTORY RIGHTS.

The Black&Decker Supplementary Guarantee set out above does not exclude any conditions or guarantees that may be mandatorily implied by law, and your attention is drawn to the provisions of the Consumer Guarantee Act 1993 (New Zealand only), Trade practices Act 1974 and State legislation (Australia only), which confers rights upon consumers. This is in addition to any rights conferred on a consumer under the Act, where applicable and any other rights provided under applicable legislation.

AUSTRALIA AND NEW ZEALAND 2YEAR REPAIR GUARANTEE

Black & Decker welcomes you as a purchaser of this product from our range of Home Products, Garden tools and Accessories. All our products are engineered and manufactured to ensure the highest standards of reliability and performance during use, and are supported in After Sales Service by a wide network of Black & Decker Authorised Service Centres.



Australia

Black & Decker (Australia) Pty. Ltd.
20 Fletcher Road, Mooroolbark,
Victoria, 3138

Tel. 03-8720 5100
Fax 03-9727 5940

New Zealand

Black & Decker
5 Te Apunga Place
Mt Wellington
Auckland 1060

Tel. 0800 339 258
Fax +64 9 259 1122